

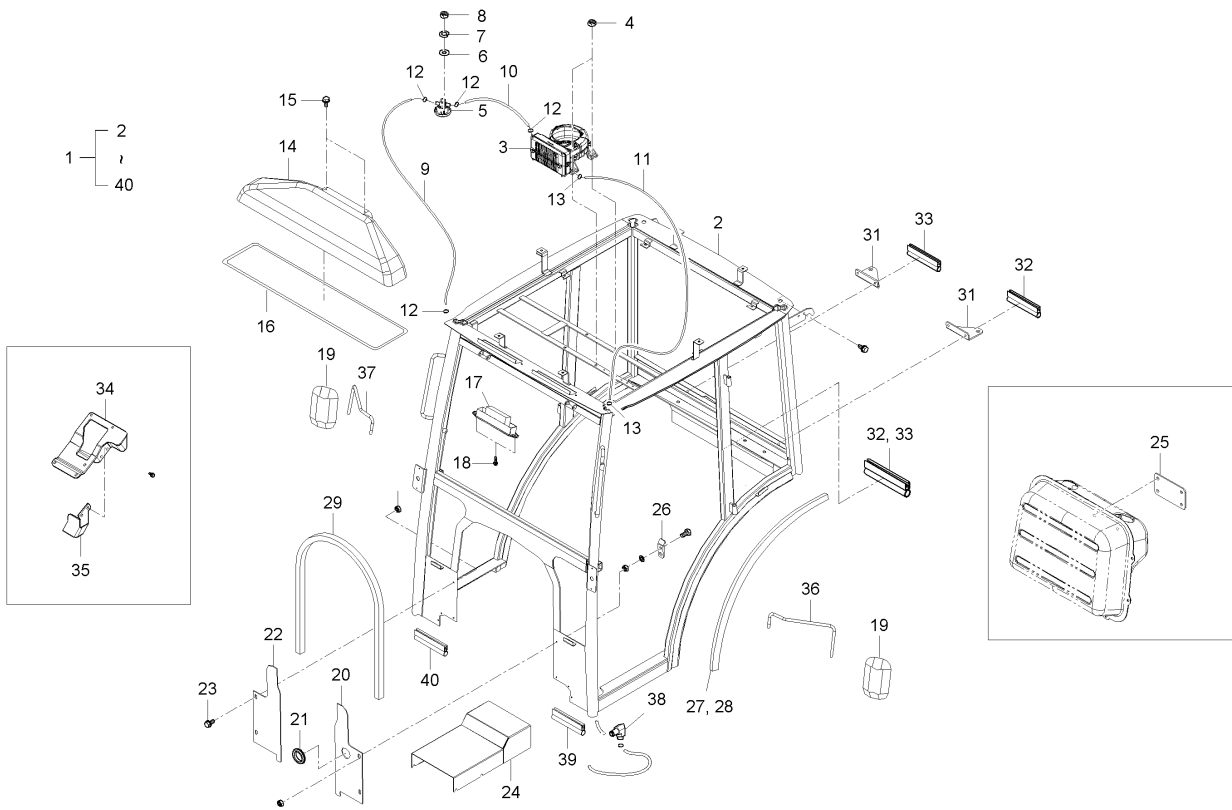
# TABLE OF CONTENTS

## [CABIN]

<b>CK20C-T9002A</b>	CABIN GROUP.....	1
<b>CK30C-T9002A</b>	CABIN GROUP.....	4
<b>CK20C-T9003A</b>	CABIN GROUP.....	7
<b>CK30C-T9003A</b>	CABIN GROUP.....	10
<b>CK20C-T9010A</b>	FRONT GLASS GROUP.....	13
<b>CK30C-T9010A</b>	MOUNTING GROUP.....	16
<b>CK20C-T9020A</b>	DOOR GROUP.....	17
<b>CK30C-T9020A</b>	FRONT GLASS GROUP.....	20
<b>CK20C-T9030A</b>	REAR GLASS GROUP.....	23
<b>CK30C-T9030A</b>	DOOR GROUP.....	25
<b>CK20C-T9040A</b>	ROOF GROUP.....	28
<b>CK30C-T9040A</b>	REAR GLASS GROUP.....	30
<b>CK30C-T9050A</b>	ROOF GROUP.....	32
<b>CK20C-T9051A</b>	ELETRICAL GROUP.....	34
<b>CK20C-T9060A</b>	CABIN SUPPORT GROUP.....	36
<b>CK30C-T9060A</b>	ELETRICAL GROUP.....	37
<b>CK20C-T9100A</b>	SOUNDPROOF GROUP.....	39
<b>CK20C-T9101A</b>	SOUNDPROOF GROUP.....	41
<b>CK30C-T9101A</b>	SOUNDPROOF GROUP.....	43
<b>CK30C-T9102A</b>	SOUNDPROOF GROUP.....	45
<b>CK20C-T9110A</b>	BEACON LIGHT GROUP.....	47
<b>CK20C-T9120A</b>	WORKING LIGHT GROUP.....	48
<b>CK20C-T9130A</b>	CD PLATER GROUP.....	49
<b>INDEX 1</b>	.....	50
<b>INDEX 2</b>	.....	53
<b>INDEX 3</b>	.....	55

**CK20C-T9002A**

**CABIN GROUP**



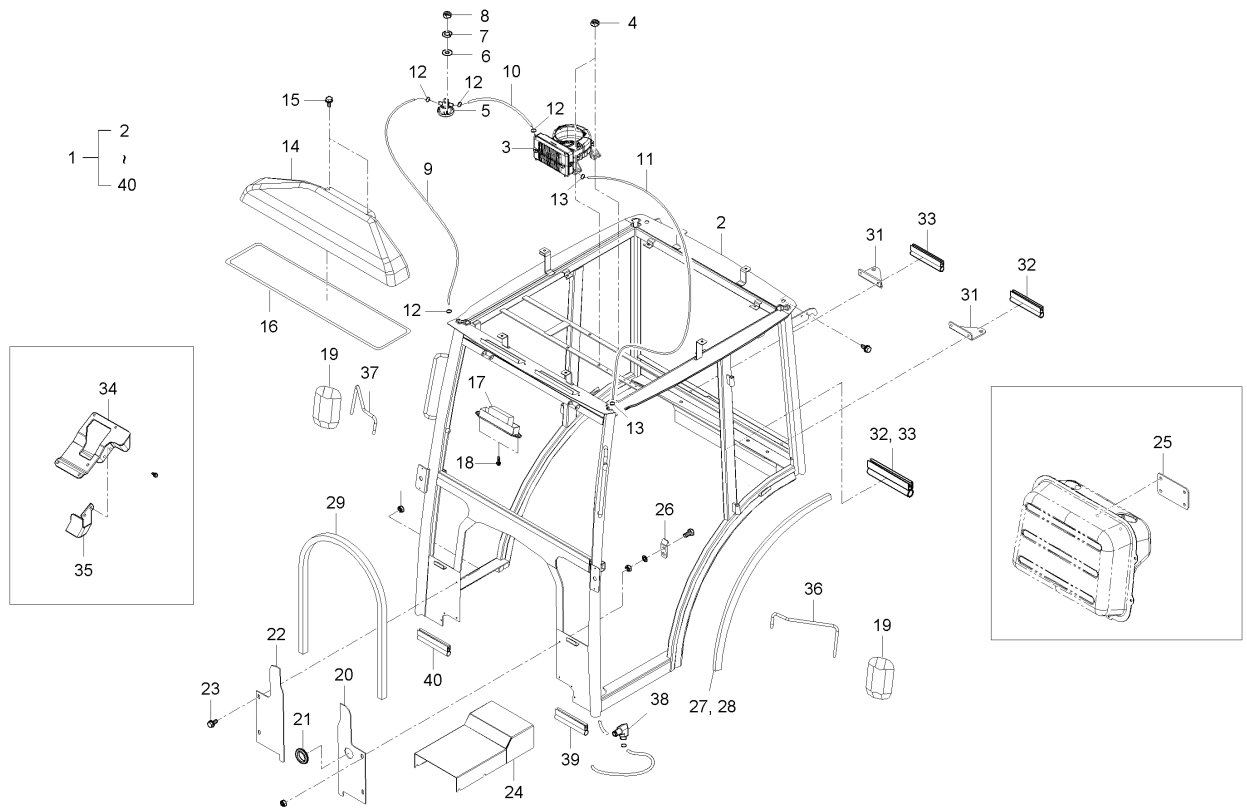
**A : M21C-EU , B : M21HC-EU , C : M27C-EU , D : M27HC-EU**

No.	Part Number	Description	Q'TY					I.C	Remark
			A	B	C	D	E		
1	T2391-80011	CABIN ASSY	1						
2	T2391-80021	ASSY,CABIN FRAME	1						
3	T2131-86401	ASSY HEATER	1						
4	02751-50080	NUT, FLANGE	4						
5	T2131-86501	CONTROLLER, HEATER	1						
6	04013-50040	WASHER, PLAIN	3						
7	04512-50040	WASHER, SPRING	3						
8	02054-50040	NUT	3						
9	T2131-87021	HOSE A, HEATER	1						
10	T2131-87031	HEATER HOSE B	1						
11	T2131-87041	HOSE C, HEATER	1						
12	T4340-38241	BAND, HOSE	4						
13	T4340-38241	BAND, HOSE	2						
14	T2131-82211	DUCT	1						
15	84612-1823-0	TAPPING SCREW	2						
16	T2131-82221	RUBBER, DUCT SEAING	1						
17	T4145-82052	COVER FILL	2						
18	T4625-55441	BOLT, FLANGE	4						
19	T4818-83001	REARVIEW MIRROR	1						

----- Old replace New  
 <-X-> Not interchangeable  
 <-0-> Interchangeable with another part(s)  
 ----- New replace Old  
 ----- Interchangeable

**CK20C-T9002A**

**CABIN GROUP**



**A : M21C-EU , B : M21HC-EU , C : M27C-EU , D : M27HC-EU**

No.	Part Number	Description	Q'TY					I.C	Remark
			A	B	C	D	E		
20	T2391-85131	PLATE, FR LWR BLOCKING LH	1						
21	T2391-85181	GROMMET	1						
22	T2391-85141	PLATE, FR LWR BLOCKING RH	1						
23	01754-50620	BOLT, FLANGE	4						
24	T2391-85151	COVER, TRANSMISSION	1						
25	T2391-86211	PLATE, SMV BRACKET TAG	1						
26	T2391-86221	STOPPER, CLUTCH	1						
27	T2391-86231	SEALING PAD1, FENDER	2						
28	T2391-86241	SEALING PAD2, FENDER	2						
29	T2391-86251	SEALING PAD, FRONT BLOCKING PLATE	1						
30	T2391-86261	SEALING PAD, REAR BLOCKING PLATE	1						
31	T2391-68111	BRACKET, TURN SIGNAL LAMP RR (EU)	2						
32	T2611-75891	REAR LAMP ASSY, LH	1						
33	T2611-75881	REAR LAMP ASSY, RH	1						
34	T2391-68151	SOPPORT, PARK BRAKE	1						
35	T2391-89111	BASE, PARKING BRAKE SOPPORT	1						
36	T2131-83511	SUPPROT, REARVIEW MIRROR LH	1						
37	T2131-83521	SUPPROT, REARVIEW MIRROR RH	1						
38	T2391-87061	HEATER HOSE, AIR BREATHER	2						

----> Old replace New

<-X-> Not interchangeable

<-0-> Interchangeable with another part(s)

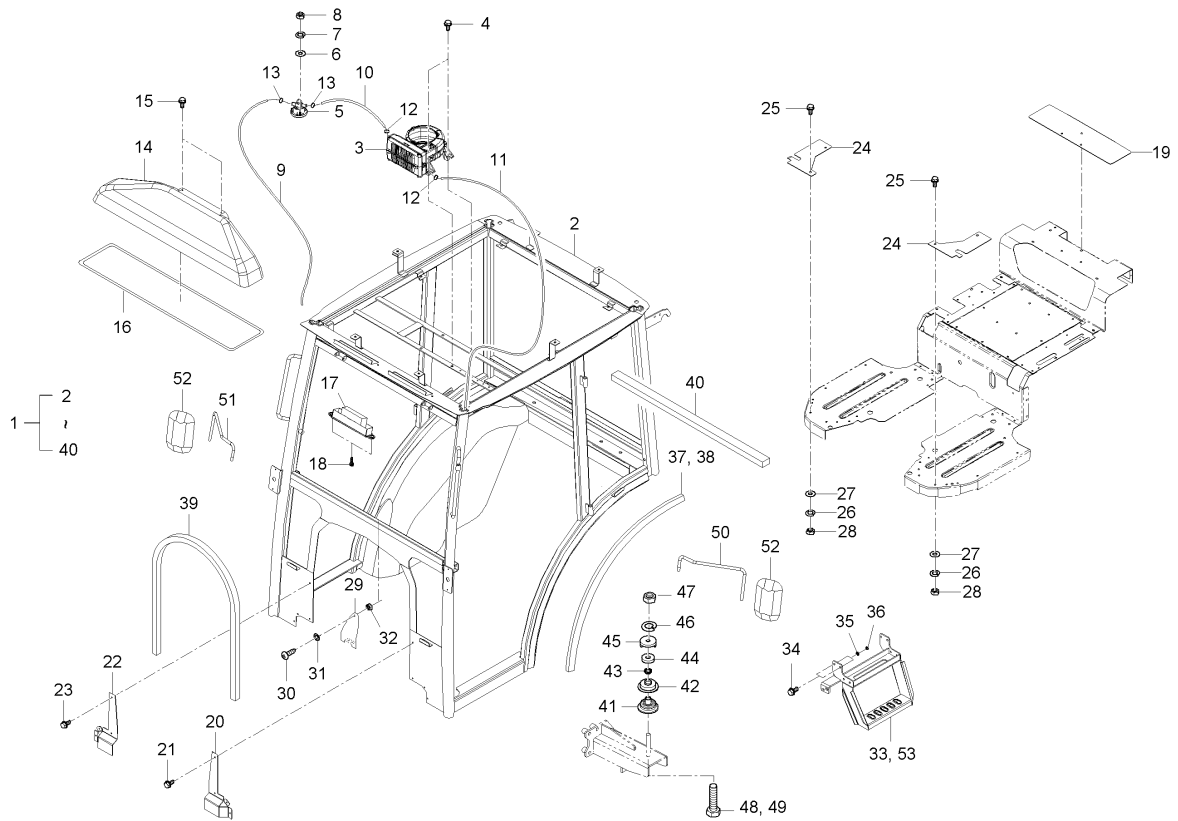
<---- New replace Old

<----> Interchangeable



**CK30C-T9002A**

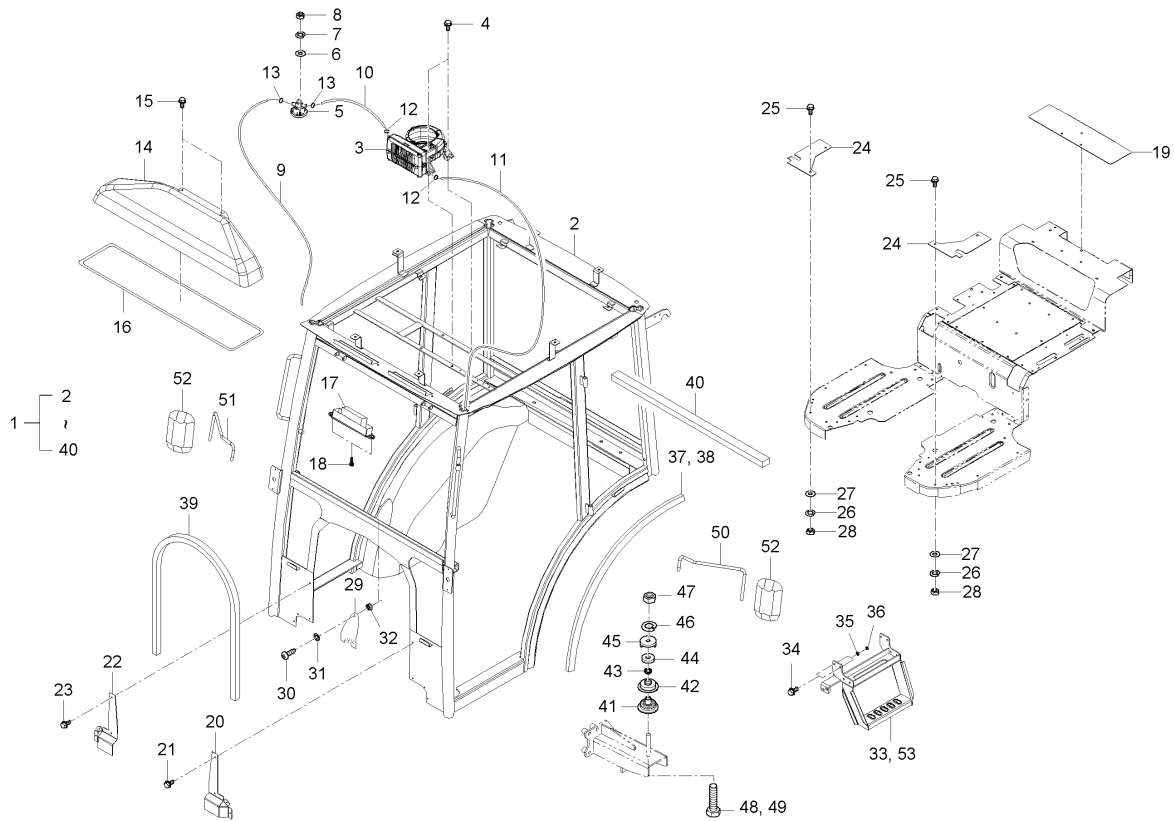
**CABIN GROUP**



**A : M21C-EU , B : M21HC-EU , C : M27C-EU , D : M27HC-EU**

No.	Part Number	Description	Q'TY					I.C	Remark
			A	B	C	D	E		
1	T2131-80011	CABIN ASSY			1				
2	T2131-80021	CABIN FRAME ASSY			1				
3	T2131-86401	ASSY HEATER			1				
4	02751-50080	NUT, FLANGE			4				
5	T2131-86501	CONTROLLER, HEATER			1				
6	04013-50040	WASHER, PLAIN			3				
7	04512-50040	WASHER, SPRING			3				
8	02054-50040	NUT			3				
9	T2131-87021	HOSE A, HEATER			1				
10	T2131-87031	HEATER HOSE B			1				
11	T2131-87041	HOSE C, HEATER			1				
12	T4340-38241	BAND, HOSE			4				
13	T4340-38241	BAND, HOSE			2				
14	T2131-82211	DUCT			1				
15	84612-1823-0	TAPPING SCREW			2				
16	T2131-82221	RUBBER, DUCT SEAING			1				
17	T4145-82052	COVER FILL			2				
18	T4625-55441	BOLT, FLANGE			4				
19	T2131-84171	BLOCKING PLATE, RR			1				

----> Old replace New  
 <-X-> Not interchangeable  
 <-0-> Interchangeable with another part(s)  
 <---- New replace Old  
 <----> Interchangeable



**A : M21C-EU , B : M21HC-EU , C : M27C-EU , D : M27HC-EU**

No.	Part Number	Description	Q'TY					I.C	Remark
			A	B	C	D	E		
20	T2131-84511	BLOCKING PLATE, FR LH			1				
21	01754-50612	BOLT, FLANGE			4				
22	T2131-84521	BLOCKING PLATE, FR RH			1				
23	01754-50612	BOLT, FLANGE			4				
24	T2131-84141	BLOCKING PLATE, FLOOR			2				
25	01754-50616	BOLT, FLANGE			6				
26	04512-50080	WASHER, SPRING			6				
27	04013-50080	WASHER, PLAIN			6				
28	02114-50080	NUT			6				
29	T2131-84151	BLOCKING PLATE, CUP HOLDER			1				
30	03054-50420	SCREW			3				
31	04013-50040	WASHER, PLAIN			3				
32	02054-50040	NUT			3				
33	T2131-84161	EXTENSION PLATE ASSY, STEP FRAME			1				
34	01754-50825	BOLT, FLANGE			4				
35	04013-50080	WASHER, PLAIN			2				
36	41011-5151-4	NUT, REMOVE CHECK			4				
37	T2131-84561	SEALING PAD1, FENDER			2				
38	T2131-84571	SEALING PAD2, FENDER			2				

----> Old replace New

<-X-> Not interchangeable

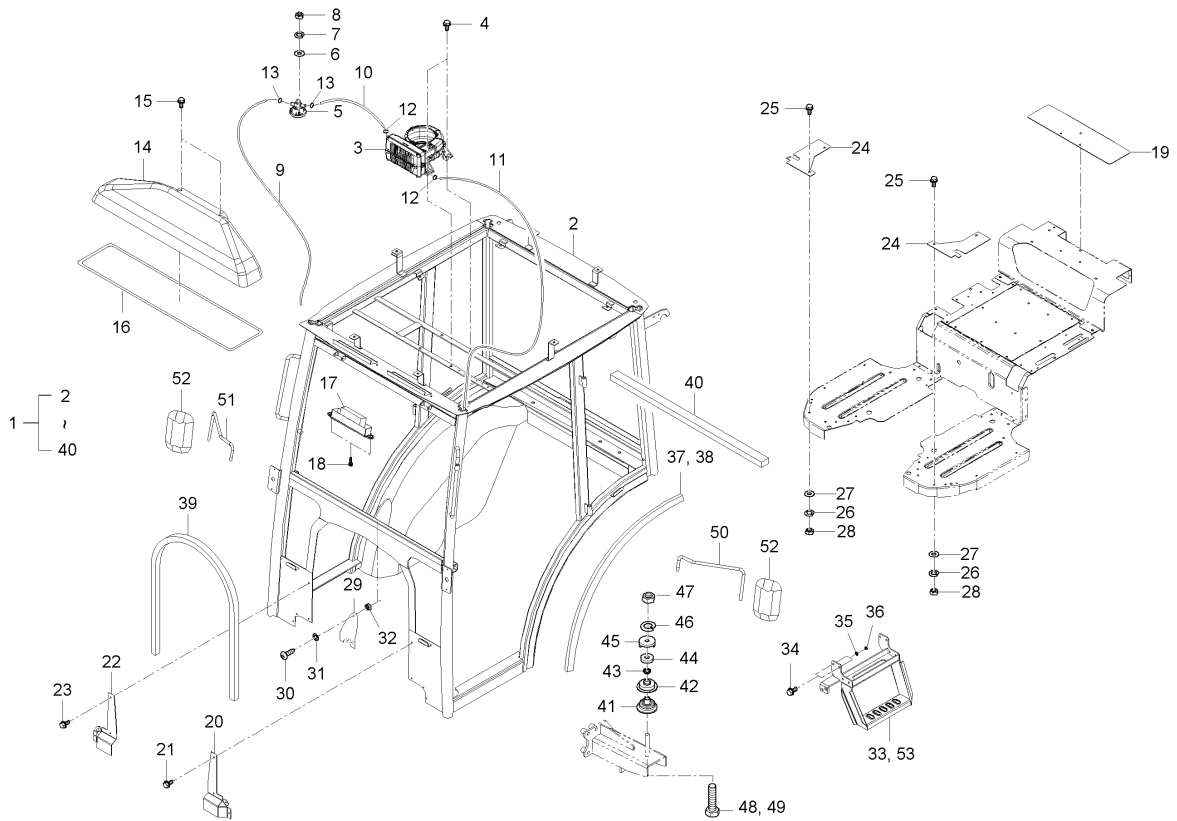
<-0-> Interchangeable with another part(s)

<---- New replace Old

<----> Interchangeable

**CK30C-T9002A**

**CABIN GROUP**



**A : M21C-EU , B : M21HC-EU , C : M27C-EU , D : M27HC-EU**

No.	Part Number	Description	Q'TY					I.C	Remark
			A	B	C	D	E		
39	T2131-84581	SEALING PAD, FRONT BLOCKING PLATE			1				
40	T2131-85141	SEALING PAD, REAR BLOCKING PLATE			1				
41	T4682-87812	RUBBER 1, DUSTPROOF			4				
42	T4682-87821	COVER, DUSTPROOF RUBBER			4				
43	T4682-87831	COLLAR, RUBBBER			4				
44	T4682-87841	RUBBER 2, DUSTPROOF			4				
45	T4920-87851	COLLAR			4				
46	04512-50160	WASHER, SPRING			8				
47	02176-50160	NUT			4				
48	01173-51690	BOLT			2				
49	01173-51600	BOLT			2				
50	T2131-83011	SUPPROT, REARVIEW MIRROR LH			1				
51	T2131-83021	SUPPROT, REARVIEW MIRROR RH			1				
52	T4818-83001	REARVIEW MIRROR			1				
53	T2131-84551	EXTENSION PLATE ASSY, STEP FRAME RH			1				

----> Old replace New

<-X-> Not interchangeable

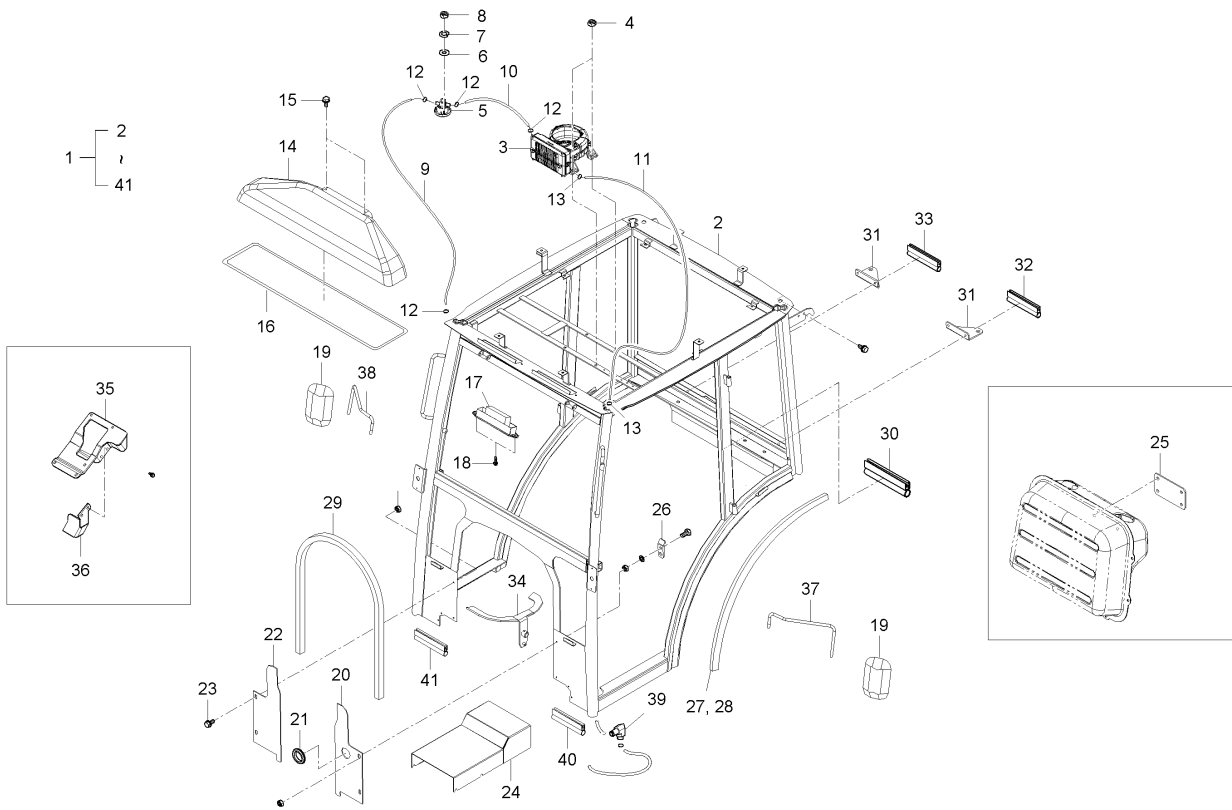
<-0-> Interchangeable with another part(s)

<---- New replace Old

<----> Interchangeable

**CK20C-T9003A**

**CABIN GROUP**



**A : M21C-EU , B : M21HC-EU , C : M27C-EU , D : M27HC-EU**

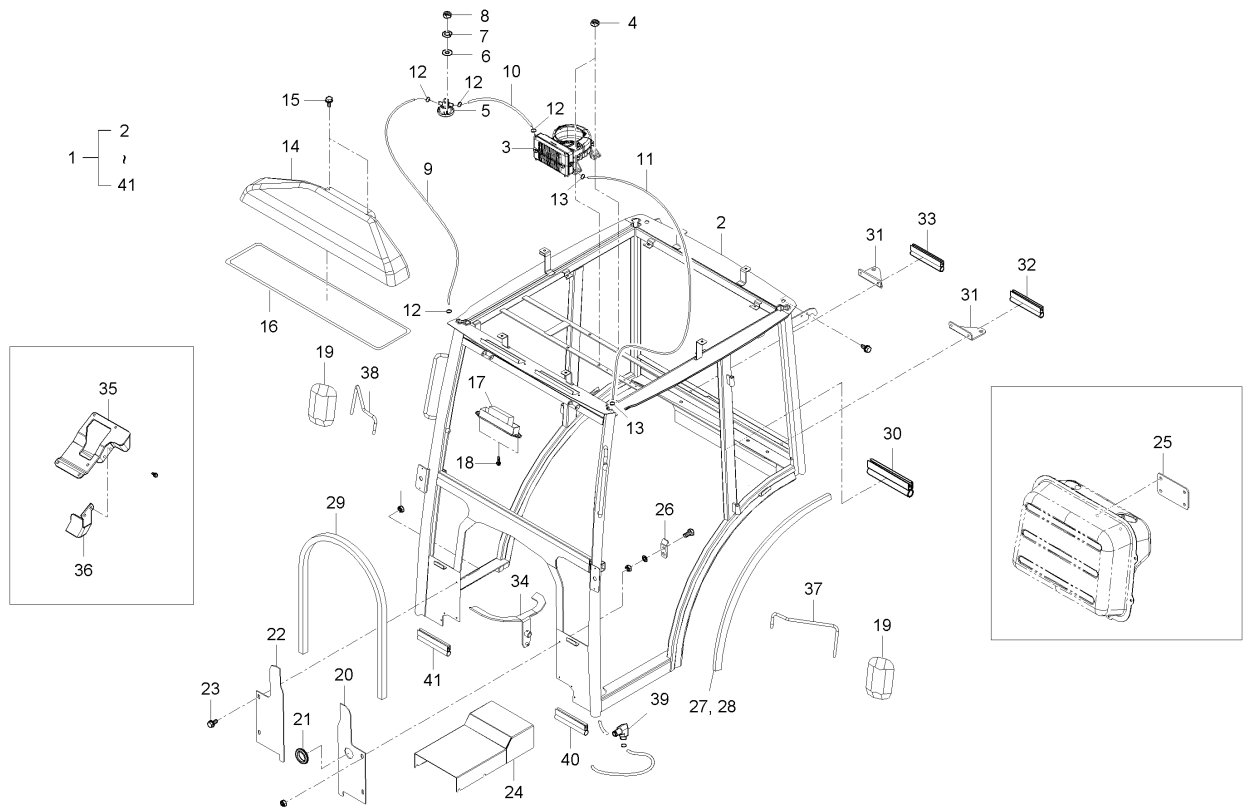
No.	Part Number	Description	Q'TY					I.C	Remark
			A	B	C	D	E		
1	T2392-80011	CABIN ASSY		1					
2	T2392-80021	ASSY,CABIN FRAME		1					
3	T2131-86401	ASSY HEATER		1					
4	02751-50080	NUT, FLANGE		4					
5	T2131-86501	CONTROLLER, HEATER		1					
6	04013-50040	WASHER, PLAIN		3					
7	04512-50040	WASHER, SPRING		3					
8	02054-50040	NUT		3					
9	T2131-87021	HOSE A, HEATER		1					
10	T2131-87031	HEATER HOSE B		1					
11	T2131-87041	HOSE C, HEATER		1					
12	T4340-38241	BAND, HOSE		4					
13	T4340-38241	BAND, HOSE		2					
14	T2131-82211	DUCT		1					
15	84612-1823-0	TAPPING SCREW		2					
16	T2131-82221	RUBBER, DUCT SEAING		1					
17	T4145-82052	COVER FILL		2					
18	T4625-55441	BOLT, FLANGE		4					
19	T4818-83001	REARVIEW MIRROR		1					

----- Old replace New  
 <-X-> Not interchangeable  
 <-0-> Interchangeable with another part(s)  
 ----- New replace Old  
 ----- Interchangeable



**CK20C-T9003A**

**CABIN GROUP**



**A : M21C-EU , B : M21HC-EU , C : M27C-EU , D : M27HC-EU**

No.	Part Number	Description	Q'TY					I.C	Remark
			A	B	C	D	E		
20	T2391-85131	PLATE, FR LWR BLOCKING LH		1					
21	T2391-85181	GROMMET		1					
22	T2391-85141	PLATE, FR LWR BLOCKING RH		1					
23	01754-50620	BOLT, FLANGE		4					
24	T2391-85151	COVER, TRANSMISSION		1					
25	T2391-86211	PLATE, SMV BRACKET TAG		1					
26	T2391-86221	STOPPER, CLUTCH		1					
27	T2391-86231	SEALING PAD1, FENDER		2					
28	T2391-86241	SEALING PAD2, FENDER		2					
29	T2391-86251	SEALING PAD, FRONT BLOCKING PLATE		1					
30	T2391-86261	SEALING PAD, REAR BLOCKING PLATE		1					
31	T2391-68111	BRACKET, TURN SIGNAL LAMP RR (EU)		2					
32	T2611-75891	REAR LAMP ASSY, LH		1					
33	T2611-75881	REAR LAMP ASSY, RH		1					
34	T2391-33111	PADAL,HST		1					
35	T2391-68151	SOPPORT, PARK BRAKE		1					
36	T2391-89111	BASE, PARKING BRAKE SOPPORT		1					
37	T2131-83511	SUPPROT, REARVIEW MIRROR LH		1					
38	T2131-83521	SUPPROT, REARVIEW MIRROR RH		1					

----> Old replace New

<-X-> Not interchangeable

<-0-> Interchangeable with another part(s)

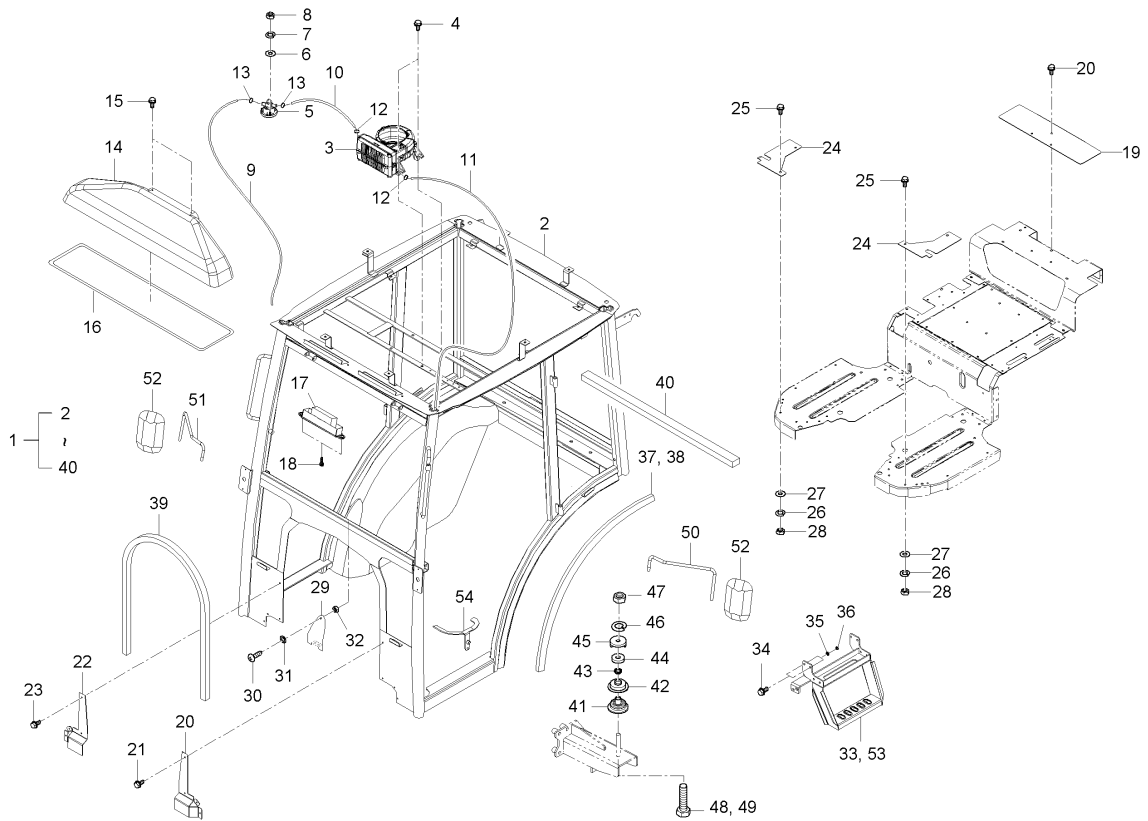
<---- New replace Old

<----> Interchangeable



**CK30C-T9003A**

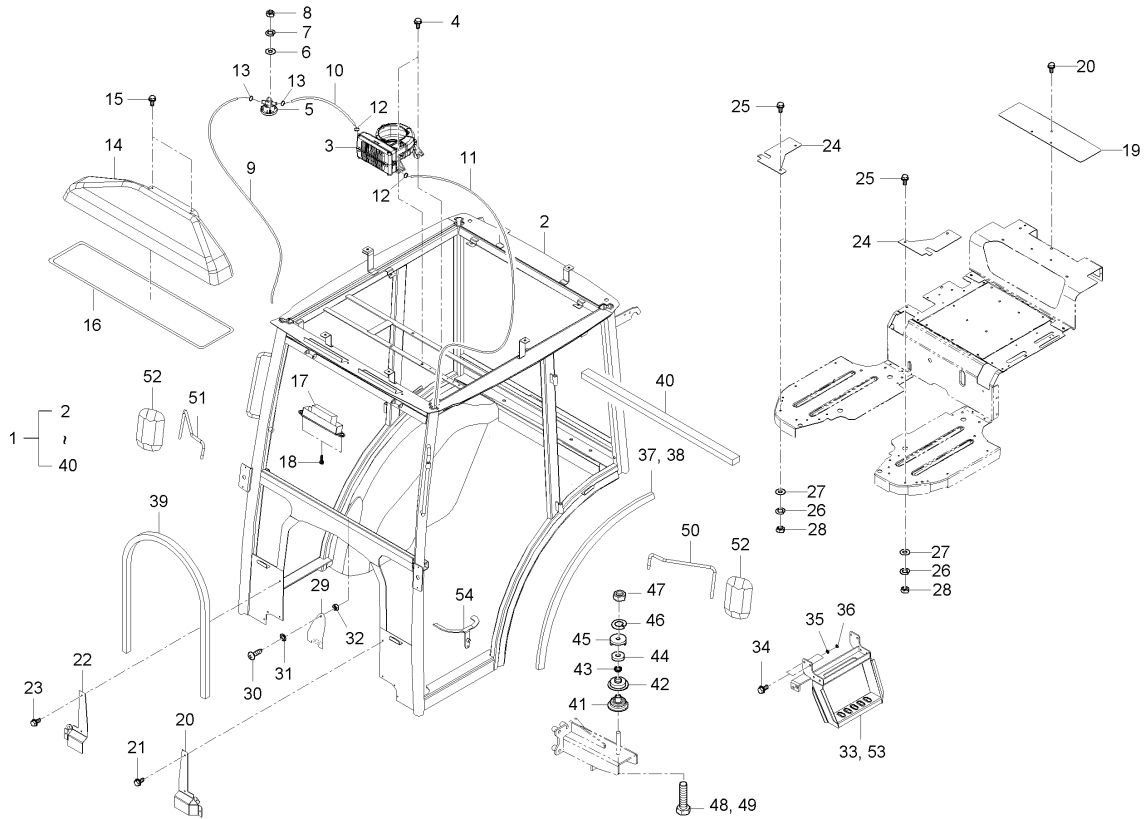
**CABIN GROUP**



**A : M21C-EU , B : M21HC-EU , C : M27C-EU , D : M27HC-EU**

No.	Part Number	Description	Q'TY					I.C	Remark
			A	B	C	D	E		
1	T2132-80011	CABIN ASSY				1			
2	T2131-80021	CABIN FRAME ASSY				1			
3	T2131-86401	ASSY HEATER				1			
4	02751-50080	NUT, FLANGE				4			M8X1 .25
5	T2131-86501	CONTROLLER, HEATER				1			
6	04013-50040	WASHER, PLAIN				3			M4
7	04512-50040	WASHER, SPRING				3			M4
8	02054-50040	NUT				3			M4*P0.7
9	T2131-87021	HOSE A, HEATER				1			
10	T2131-87031	HEATER HOSE B				1			
11	T2131-87041	HOSE C, HEATER				1			
12	T4340-38241	BAND, HOSE				4			
13	T4340-38241	BAND, HOSE				2			
14	T2131-82211	DUCT				1			
15	84612-1823-0	TAPPING SCREW				2			
16	T2131-82221	RUBBER, DUCT SEALING				1			
17	T4145-82052	COVER FILL				2			
18	T4625-55441	BOLT, FLANGE				4			
19	T2131-84171	BLOCKING PLATE, RR				1			

----> Old replace New  
 <-X-> Not interchangeable  
 <-0-> Interchangeable with another part(s)  
 <---- New replace Old  
 <----> Interchangeable



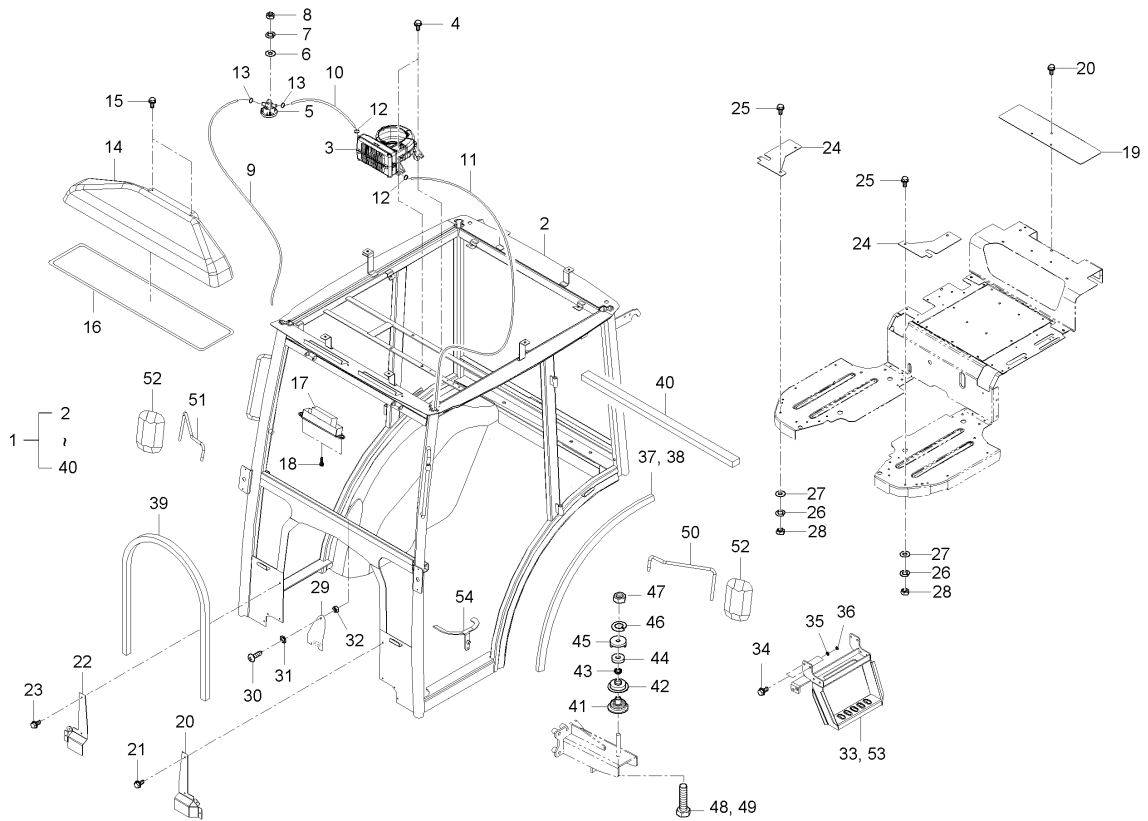
**A : M21C-EU , B : M21HC-EU , C : M27C-EU , D : M27HC-EU**

No.	Part Number	Description	Q'TY					I.C	Remark
			A	B	C	D	E		
20	T2131-84511	BLOCKING PLATE, FR LH				1			
21	01754-50612	BOLT, FLANGE				4			M6*1.0
22	T2131-84521	BLOCKING PLATE, FR RH				1			
23	01754-50612	BOLT, FLANGE				4			M6*1.0
24	T2131-84141	BLOCKING PLATE, FLOOR				2			
25	01754-50616	BOLT, FLANGE				6			M6*P1.0
26	04512-50080	WASHER, SPRING				6			M8
27	04013-50080	WASHER, PLAIN				6			M8
28	02114-50080	NUT				6			M8*P1.25
29	T2131-84151	BLOCKING PLATE, CUP HOLDER				1			
30	03054-50420	SCREW				3			
31	04013-50040	WASHER, PLAIN				3			M4
32	02054-50040	NUT				3			M4*P0.7
33	T2131-84161	EXTENSION PLATE ASSY, STEP FRAME				1			
34	01754-50825	BOLT, FLANGE				4			
35	04013-50080	WASHER, PLAIN				2			M8
36	41011-5151-4	NUT, REMOVE CHECK				4			
37	T2131-85111	SEALING PAD1, FENDER				2			
38	T2131-85121	GLASS DOOR, RH				2			

----- Old replace New  
 <-X-> Not interchangeable  
 <-0-> Interchangeable with another part(s)  
 ----- New replace Old  
 ----- Interchangeable

**CK30C-T9003A**

**CABIN GROUP**



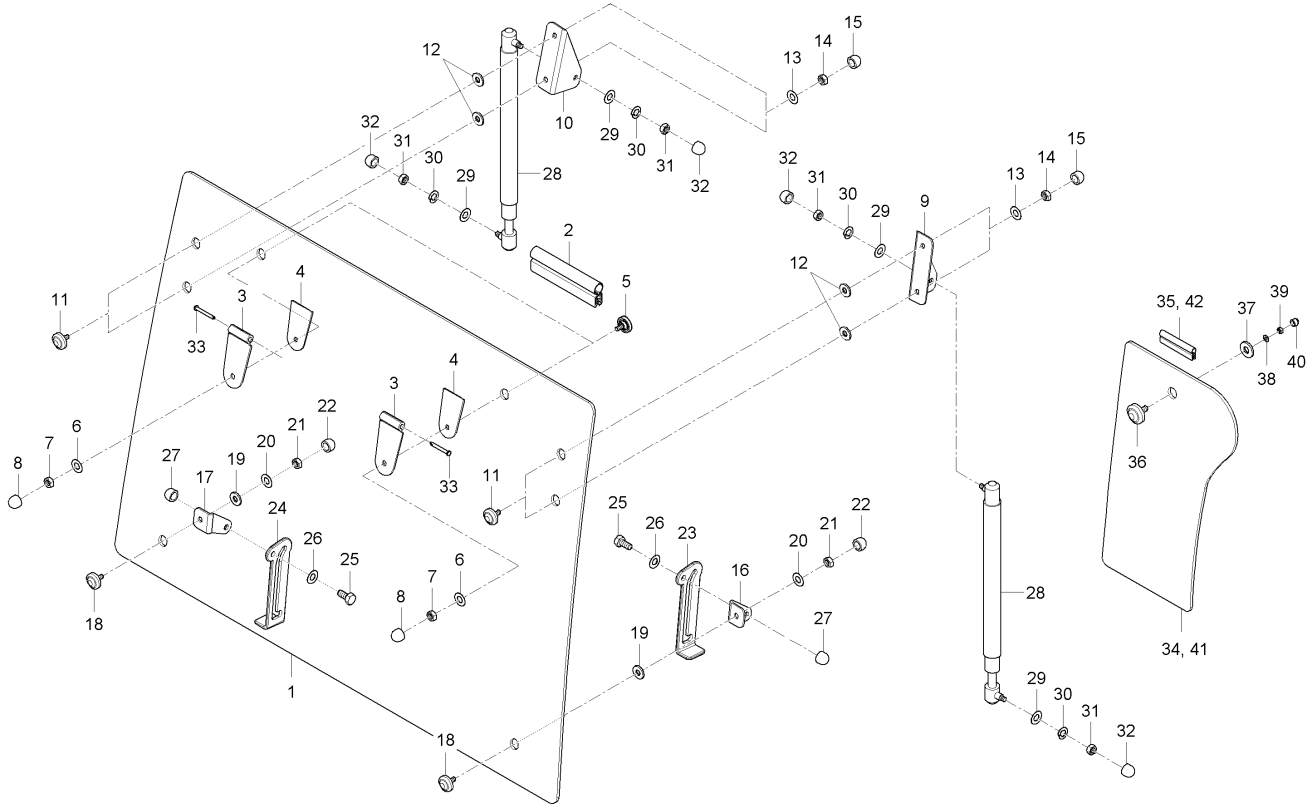
**A : M21C-EU , B : M21HC-EU , C : M27C-EU , D : M27HC-EU**

No.	Part Number	Description	Q'TY					I.C	Remark
			A	B	C	D	E		
39	T2131-85131	RUBBER, GLASS DOOR				1			
40	T2131-85141	SEALING PAD, REAR BLOCKING PLATE				1			
41	T4682-87812	RUBBER 1, DUSTPROOF				4			
42	T4682-87821	COVER, DUSTPROOF RUBBER				4			
43	T4682-87831	COLLAR, RUBBER				4			
44	T4682-87841	RUBBER 2, DUSTPROOF				4			
45	T4920-87851	COLLAR				4			
46	04512-50160	WASHER, SPRING				8		M16	
47	02176-50160	NUT				4		M16*P1.5	
48	01173-51690	BOLT				2			
49	01173-51600	BOLT				2			
50	T2131-83011	SUPPROT, REARVIEW MIRROR LH				1			
51	T2131-83021	SUPPROT, REARVIEW MIRROR RH				1			
52	T4818-83001	REARVIEW MIRROR				1			
53	T2131-84551	EXTENSION PLATE ASSY, STEP FRAME RH				1			
54	T2132-31111	PADAL,HST				1			

----> Old replace New  
 <-X-> Not interchangeable  
 <-0-> Interchangeable with another part(s)  
 <---- New replace Old  
 <----> Interchangeable

CK20C-T9010A

FRONT GLASS GROUP



A : M21C-EU , B : M21HC-EU , C : M27C-EU , D : M27HC-EU

No.	Part Number	Description	Q'TY					I.C	Remark
			A	B	C	D	E		
1	T2391-82111	GLASS, FR UP	1	1					
2	T2391-82121	ROBBER,FRONT GLASS(UP)	1	1					
3	T4624-84511	HINGE	2	2					
4	T4681-90911	PACKING	2	2					
5	T4620-81842	BOLT, CUSHION	2	2					
6	04013-50080	WASHER, PLAIN	2	2					
7	02114-50080	NUT	2	2					
8	T4815-93211	CAP NUT, M8	2	2					
9	T4681-85321	BRACKET, CYLINDER GLASS RR LH	1	1					
10	T4681-85331	BRACKET, CYLINDER GLASS RR RH	1	1					
11	T4620-81842	BOLT, CUSHION	4	4					
12	T4520-88401	PACKING	4	4					
13	04013-50080	WASHER, PLAIN	4	4					
14	02114-50080	NUT	4	4					
15	T4815-93211	CAP NUT, M8	4	4					
16	T2131-82141	HOLDING BRACKET, FRONT GLASS LH	1	1					
17	T2131-82151	HOLDING BRACKET, FRONT GLASS RH	1	1					
18	T4620-81842	BOLT, CUSHION	2	2					
19	T4520-88401	PACKING	2	2					

----> Old replace New

<-X-> Not interchangeable

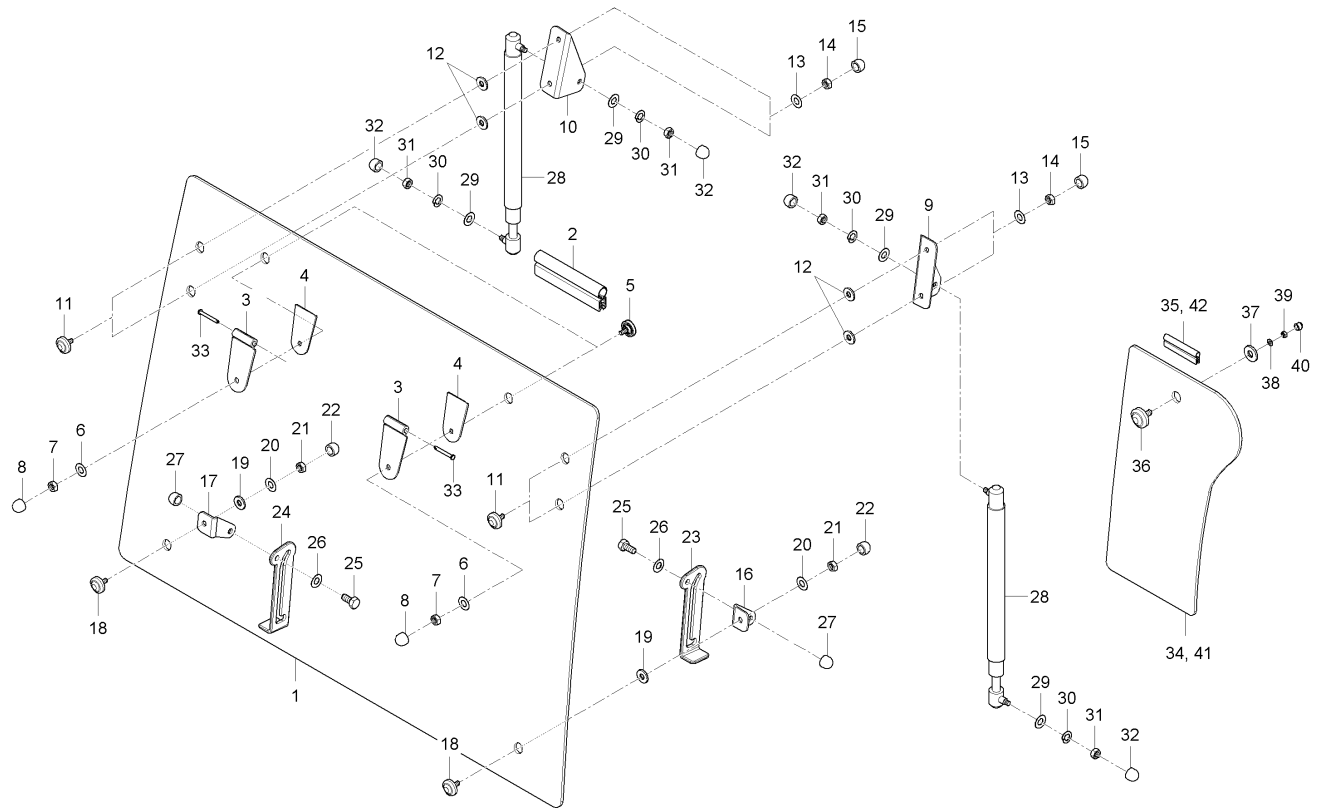
<-0-> Interchangeable with another part(s)

<---- New replace Old

<----> Interchangeable

CK20C-T9010A

FRONT GLASS GROUP



A : M21C-EU , B : M21HC-EU , C : M27C-EU , D : M27HC-EU

No.	Part Number	Description	Q'TY					I.C	Remark
			A	B	C	D	E		
20	04013-50080	WASHER, PLAIN	2	2					
21	02114-50080	NUT	2	2					
22	T4815-93211	CAP NUT, M8	2	2					
23	T2131-82161	GRIP LH	1	1					
24	T2131-82171	GRIP RH	1	1					
25	01150-50820	BOLT	2	2					
26	04013-50080	WASHER, PLAIN	2	2					
27	T4815-93211	CAP NUT, M8	4	4					
28	T4835-87621	CYLINDER	2	2					
29	04013-50080	WASHER, PLAIN	2	2					
30	04512-50080	WASHER, SPRING	4	4					
31	02114-50080	NUT	2	2					
32	T4815-93211	CAP NUT, M8	2	2					
33	T4620-88051	PIN, HINGE	2	2					
34	T2391-83111	GLASS, FR LOW LH	1	1					
35	T2391-83121	RUBBER, FR LWR	1	1					
36	T4620-81842	BOLT, CUSHION	2	2					
37	T4520-88401	PACKING	2	2					
38	04013-50080	WASHER, PLAIN	2	2					

----> Old replace New

<-X-> Not interchangeable

<-0-> Interchangeable with another part(s)

<---- New replace Old

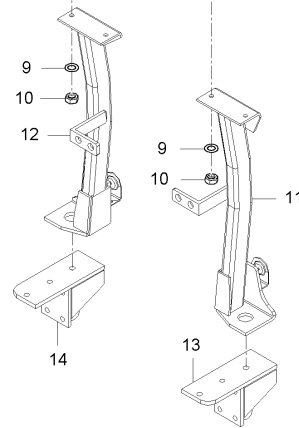
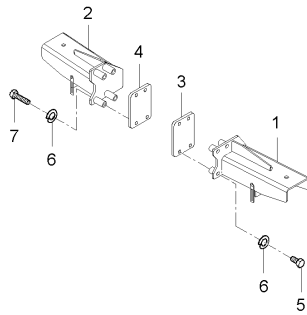
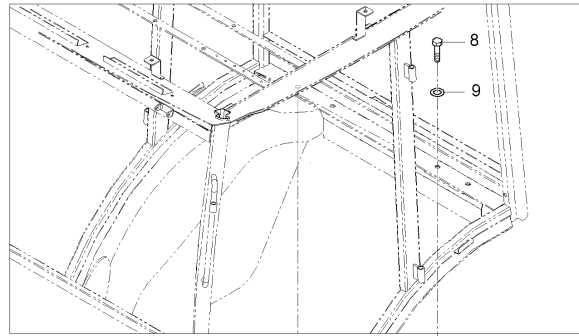
<----> Interchangeable





CK30C-T9010A

MOUNTING GROUP



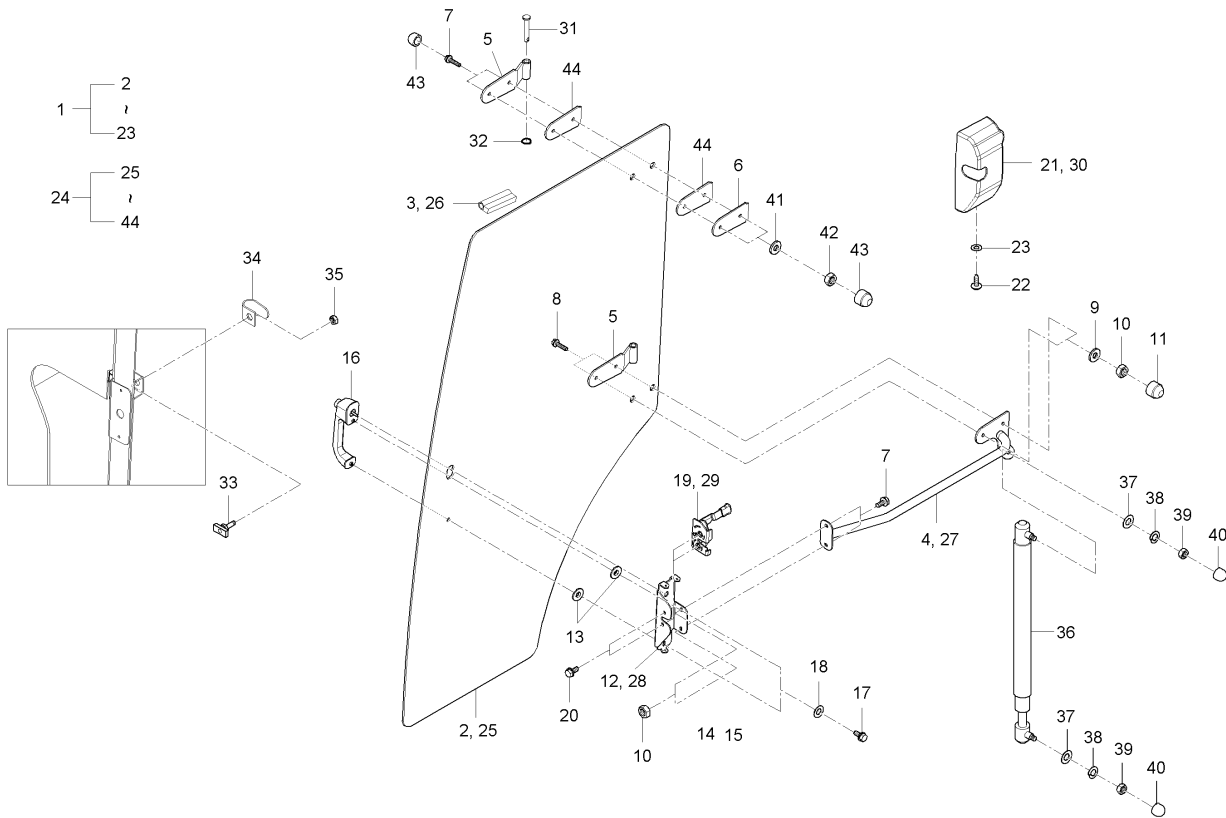
A : M21C-EU , B : M21HC-EU , C : M27C-EU , D : M27HC-EU

No.	Part Number	Description	Q'TY					I.C	Remark
			A	B	C	D	E		
1	T2131-33121	FRAME ASSY, FRONT MOUNTING LH			1	1			
2	T2131-33131	FRAME ASSY, FRONT MOUNTING RH			1	1			
3	T2131-33161	COLLAR, FRONT MOUNTING LH			1	1			
4	T2131-33171	COLLAR, FRONT MOUNTING RH			1	1			
5	01173-51470	BOLT			4	4		M14*P1.5	
6	04512-50140	WASHER, SPRING			8	8			
7	01173-51490	BOLT			4	4		M14*P1.5	
8	01133-51030	BOLT, WASHER			4	4		M10*1.25	
9	04013-50100	WASHER, PLAIN			8	8		M10	
10	02176-50100	NUT			4	4		M10X1.25	
11	T2131-70031	FRAME ASSY, REAR MOUNTING LH			1	1			
12	T2131-70041	FRAME ASSY, REAR MOUNTING RH			1	1			
13	T2131-70051	BASE, REAR MOUNTING LH			1	1			
14	T2131-70061	BASE, REAR MOUNTING RH			1	1			

----> Old replace New  
 <-X-> Not interchangeable  
 <-0-> Interchangeable with another part(s)  
 <---- New replace Old  
 <----> Interchangeable

CK20C-T9020A

DOOR GROUP



A : M21C-EU , B : M21HC-EU , C : M27C-EU , D : M27HC-EU

No.	Part Number	Description	Q'TY					I.C	Remark
			A	B	C	D	E		
1	T2391-84101	DOOR ASSY, LH	1	1					
2	T2391-84121	GLASS, DOOR LH	1	1					
3	T2391-84131	RUBBER	1	1					
4	T2391-84211	FRAME ASSY, DOOR LH	1	1					
5	T2131-84251	HINGE, DOOR	4	4					
6	T2391-84241	PLATE, DOOR FRAME HOLDING	2	2					
7	01123-50830	BOLT, WASHER	8	8					
8	T4620-81842	BOLT, CUSHION	16	16					
9	04013-50080	WASHER, PLAIN	16	16					
10	02114-50080	NUT	8	8					
11	T4815-93211	CAP NUT, M8	16	16					
12	T2131-83761	BRACKET, HANDLE LH	1	1					
13	T4520-88401	PACKING	2	2					
14	01754-50620	BOLT, FLANGE	4	4					
15	02751-50060	NUT, FLANGE	4	4					
16	T2131-51031	HANDLE, DOOR	2	2					
17	01123-50825	BOLT, WASHER	4	4					
18	04013-50080	WASHER, PLAIN	4	4					
19	T4930-51351	LATCH ASSY, LH	1	1					

----> Old replace New

<-X-> Not interchangeable

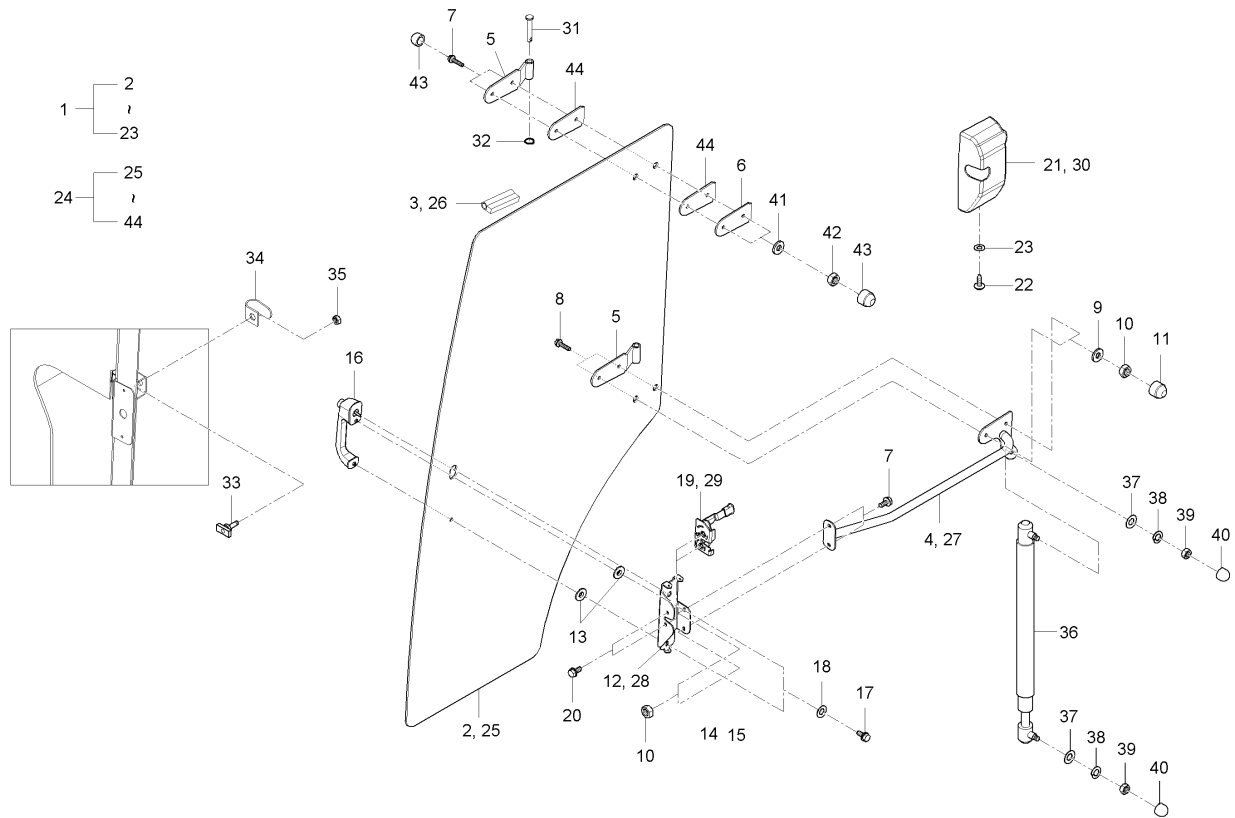
<-0-> Interchangeable with another part(s)

<---- New replace Old

<----> Interchangeable

**CK20C-T9020A**

**DOOR GROUP**



**A : M21C-EU , B : M21HC-EU , C : M27C-EU , D : M27HC-EU**

No.	Part Number	Description	Q'TY					I.C	Remark
			A	B	C	D	E		
20	01754-50825	BOLT, FLANGE	4	4					
21	T4930-81321	COVER, SIDE DOOR (LH)	1	1					
22	03054-50416	SCREW	2	2					
23	04013-50040	WASHER, PLAIN	2	2					
24	T2391-85101	DOOR ASSY, RH	1	1					
25	T2391-85121	GLASS, DOOR RH	1	1					
26	T2391-84131	RUBBER	1	1					
27	T2391-85211	FRAME ASSY, DOOR RH	1	1					
28	T2131-83771	BRACKET, HANDLE RH	1	1					
29	T4930-51361	LATCH ASSY, RH	1	1					
30	T4930-81331	COVER, SIDE DOOR (RH)	1	1					
31	T4810-82741	PIN HINGE, ENTRANCE	4	4					
32	04613-50100	SNAP RING	4	4					
33	T4520-89921	ROD, ROCK	2	2					
34	T4520-89931BB	PROTECTION	2	2					
35	T4810-82961	NUT, FOUR CORNERS	2	2					
36	T2191-84731	AIR CYLINDER	2	2					
37	04013-50080	WASHER, PLAIN	2	2					
38	04512-50080	WASHER, SPRING	2	2					

----> Old replace New

<-X-> Not interchangeable

<-0-> Interchangeable with another part(s)

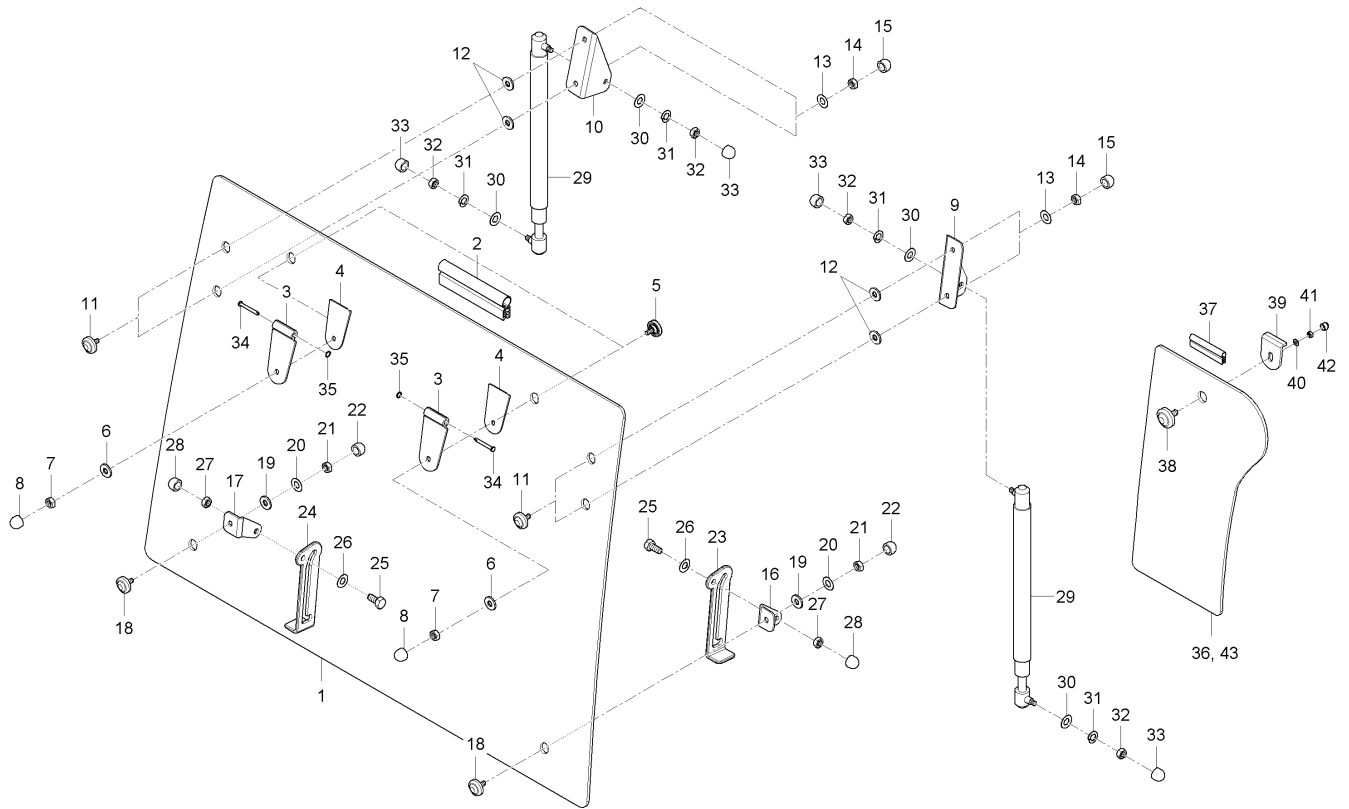
<---- New replace Old

<----> Interchangeable



**CK30C-T9020A**

**FRONT GLASS GROUP**



**A : M21C-EU , B : M21HC-EU , C : M27C-EU , D : M27HC-EU**

No.	Part Number	Description	Q'TY					I.C	Remark
			A	B	C	D	E		
1	T2131-82111	GLASS, FR UP			1	1			
2	T2131-82121	ROBBER,FRONT GLASS(UP)			1	1			
3	T4624-84511	HINGE			2	2			
4	T4681-90911	PACKING			2	2			
5	T4620-81842	BOLT, CUSHION			2	2			
6	04013-50080	WASHER, PLAIN			2	2		M8	
7	02114-50080	NUT			2	2		M8*P1.25	
8	T4815-93211	CAP NUT, M8			2	2			
9	T4681-85321	BRACKET, CYLINDER GLASS RR LH			1	1			
10	T4681-85331	BRACKET, CYLINDER GLASS RR RH			1	1			
11	T4620-81842	BOLT, CUSHION			4	4			
12	T4520-88401	PACKING			4	4			
13	04013-50080	WASHER, PLAIN			4	4		M8	
14	02114-50080	NUT			4	4		M8*P1.25	
15	T4815-93211	CAP NUT, M8			4	4			
16	T2131-82141	HOLDING BRACKET, FRONT GLASS LH			1	1			
17	T2131-82151	HOLDING BRACKET, FRONT GLASS RH			1	1			
18	T4620-81842	BOLT, CUSHION			2	2			
19	T4520-88401	PACKING			2	2			

----> Old replace New

<-X-> Not interchangeable

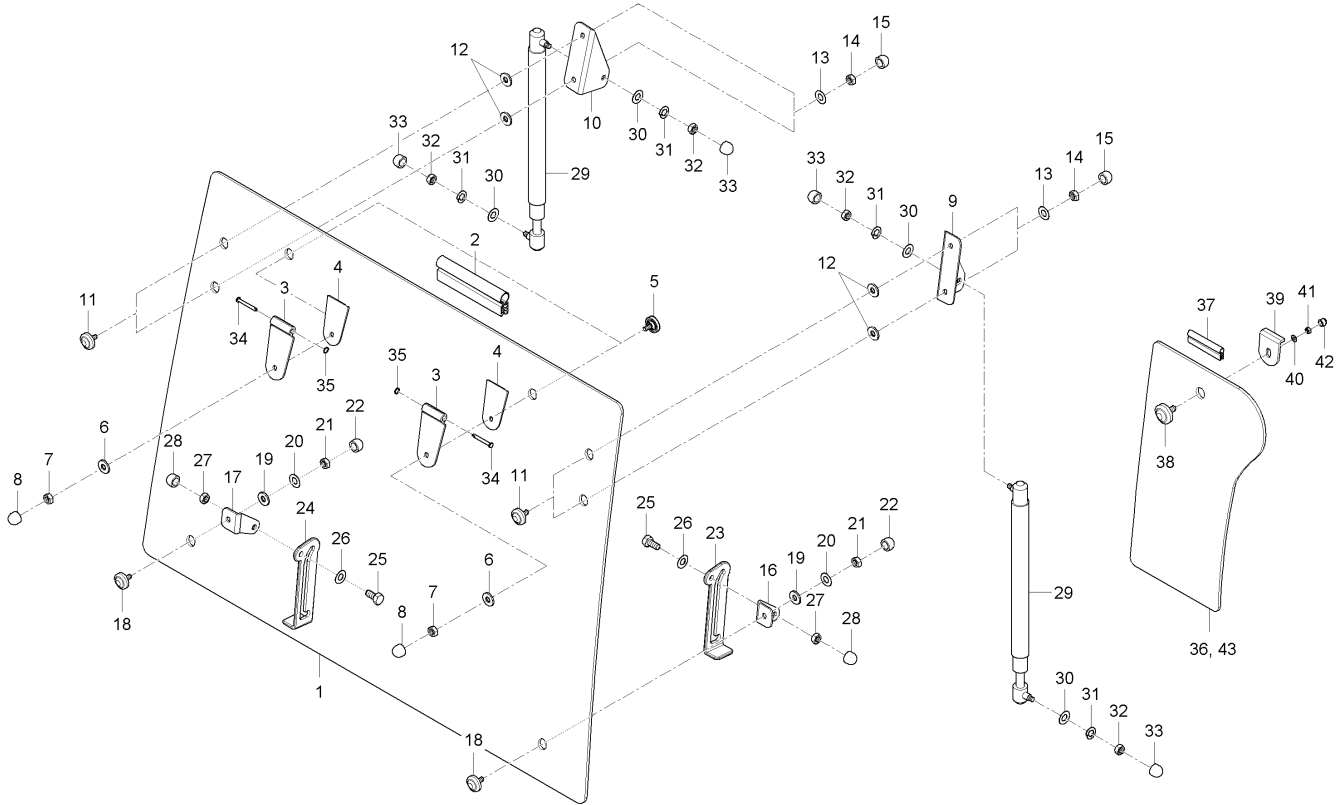
<-0-> Interchangeable with another part(s)

<---- New replace Old

<----> Interchangeable

**CK30C-T9020A**

**FRONT GLASS GROUP**



**A : M21C-EU , B : M21HC-EU , C : M27C-EU , D : M27HC-EU**

No.	Part Number	Description	Q'TY					I.C	Remark
			A	B	C	D	E		
20	04013-50080	WASHER, PLAIN			2	2			M8
21	02114-50080	NUT			2	2			M8*P1.25
22	T4815-93211	CAP NUT, M8			2	2			
23	T2131-82161	GRIP LH			1	1			
24	T2131-82171	GRIP RH			1	1			
25	01150-50820	BOLT			2	2			
26	04013-50080	WASHER, PLAIN			4	4			M8
27	41011-5151-4	NUT, REMOVE CHECK			2	2			
28	T4815-93211	CAP NUT, M8			4	4			
29	T4835-87621	CYLINDER			2	2			
30	04013-50080	WASHER, PLAIN			2	2			M8
31	04512-50080	WASHER, SPRING			2	2			M8
32	02114-50080	NUT			2	2			M8*P1.25
33	T4815-93211	CAP NUT, M8			2	2			
34	T4620-88051	PIN, HINGE			2	2			
35	04613-50060	SNAP RING			2	2			
36	T2131-83111	GLASS, FR LOW LH			1	1			
37	T2131-83121	RUBBER, FR LWR			2	2			
38	T4620-81842	BOLT, CUSHION			2	2			

----> Old replace New

<-X-> Not interchangeable

<-0-> Interchangeable with another part(s)

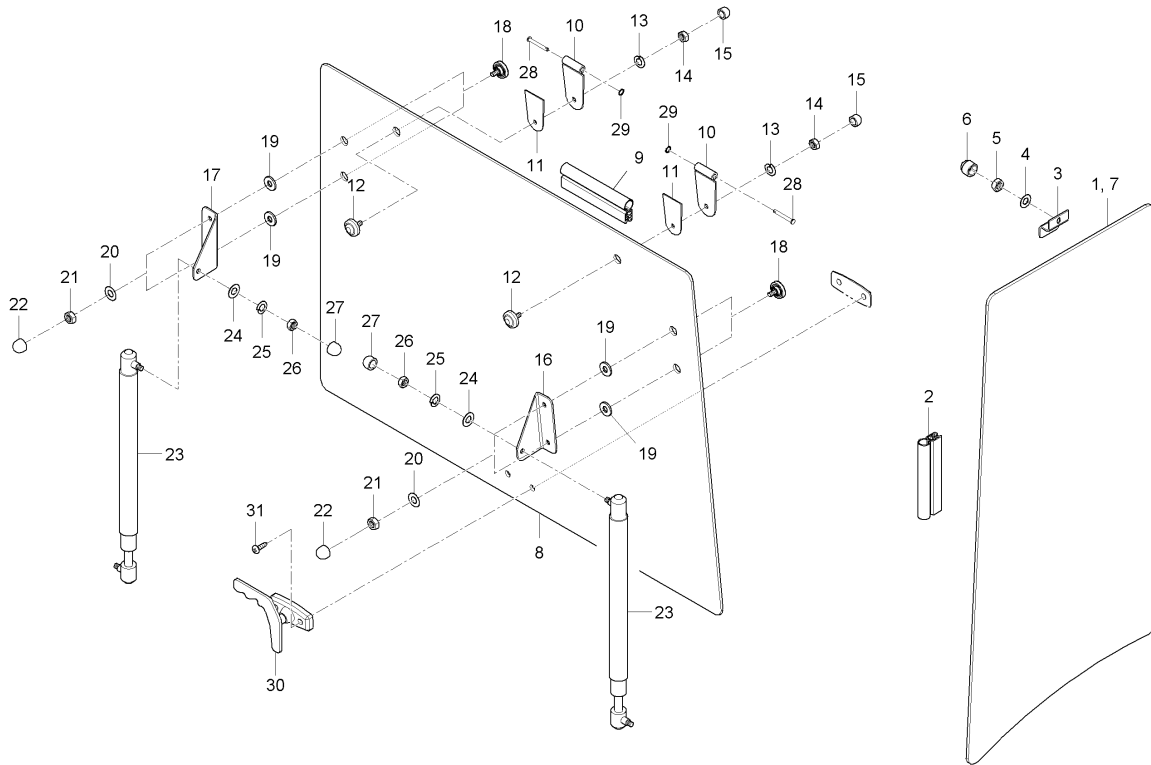
<---- New replace Old

<----> Interchangeable



CK20C-T9030A

REAR GLASS GROUP



A : M21C-EU , B : M21HC-EU , C : M27C-EU , D : M27HC-EU

No.	Part Number	Description	Q'TY					I.C	Remark
			A	B	C	D	E		
1	T2391-86111	GLASS, OUTSIDE LH	1	1					
2	T2391-87121	RUBBER, GLASS	2	2					
3	T4681-85011	BRACKET, GLASS FR UPR	2	2					
4	04013-50060	WASHER, PLAIN	2	2					
5	02114-50060	NUT	2	2					
6	T4680-93211	CAP NUT, M6	2	2					
7	T2391-87111	GLASS, OUTSIDE RH	1	1					
8	T2391-88111	GLASS, RR	1	1					
9	T2391-88121	RUBBER (GLASS RR)	1	1					
10	T4624-84511	HINGE	2	2					
11	T4681-90911	PACKING	2	2					
12	T4620-81842	BOLT, CUSHION	2	2					
13	04013-50080	WASHER, PLAIN	2	2					
14	02114-50080	NUT	2	2					
15	T4815-93211	CAP NUT, M8	2	2					
16	T4681-85321	BRACKET, CYLINDER GLASS RR LH	1	1					
17	T4681-85331	BRACKET, CYLINDER GLASS RR RH	1	1					
18	T4620-81842	BOLT, CUSHION	4	4					
19	T4520-88401	PACKING	4	4					

----> Old replace New

<-X-> Not interchangeable

<-0-> Interchangeable with another part(s)

<---- New replace Old

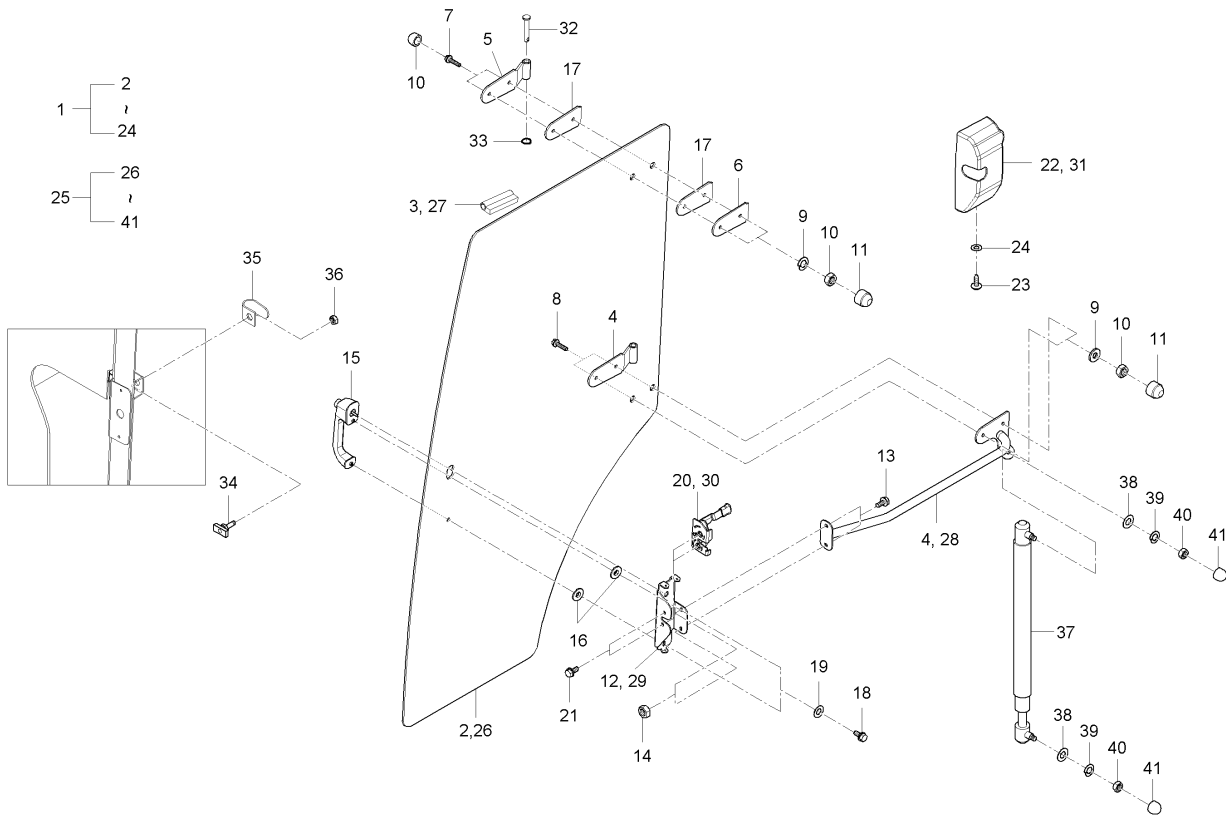
<----> Interchangeable





CK30C-T9030A

DOOR GROUP



A : M21C-EU , B : M21HC-EU , C : M27C-EU , D : M27HC-EU

No.	Part Number	Description	Q'TY					I.C	Remark
			A	B	C	D	E		
1	T2131-84101	DOOR ASSY, LH			1	1			
2	T2131-84121	GLASS, DOOR LH			2	2			
3	T2131-84131	RUBBER, GLASS DOOR			2	2			
4	T2131-84211	FRAME ASSY, DOOR LH			1	1			
5	T2131-84251	HINGE, DOOR			4	4			
6	T2391-84241	PLATE, DOOR FRAME HOLDING			2	2			
7	01123-50830	BOLT, WASHER			8	8		M8P1.25*30	
8	T4620-81842	BOLT, CUSHION			16	16			
9	04013-50080	WASHER, PLAIN			16	16		M8	
10	02114-50080	NUT			8	8		M8*P1.25	
11	T4815-93211	CAP NUT, M8			16	16			
12	T2131-83761	BRACKET, HANDLE LH			1	1			
13	01754-50620	BOLT, FLANGE			4	4			
14	02751-50060	NUT, FLANGE			4	4		M6*P1.0	
15	T2131-51031	HANDLE, DOOR			2	2			
16	T4520-88401	PACKING			4	4			
17	T2131-84271	RUBBER A, GLASS			2	2			
18	01023-50625	BOLT, WASHER			4	4			
19	04013-50060	WASHER, PLAIN			4	4		M6	

----> Old replace New

<-X-> Not interchangeable

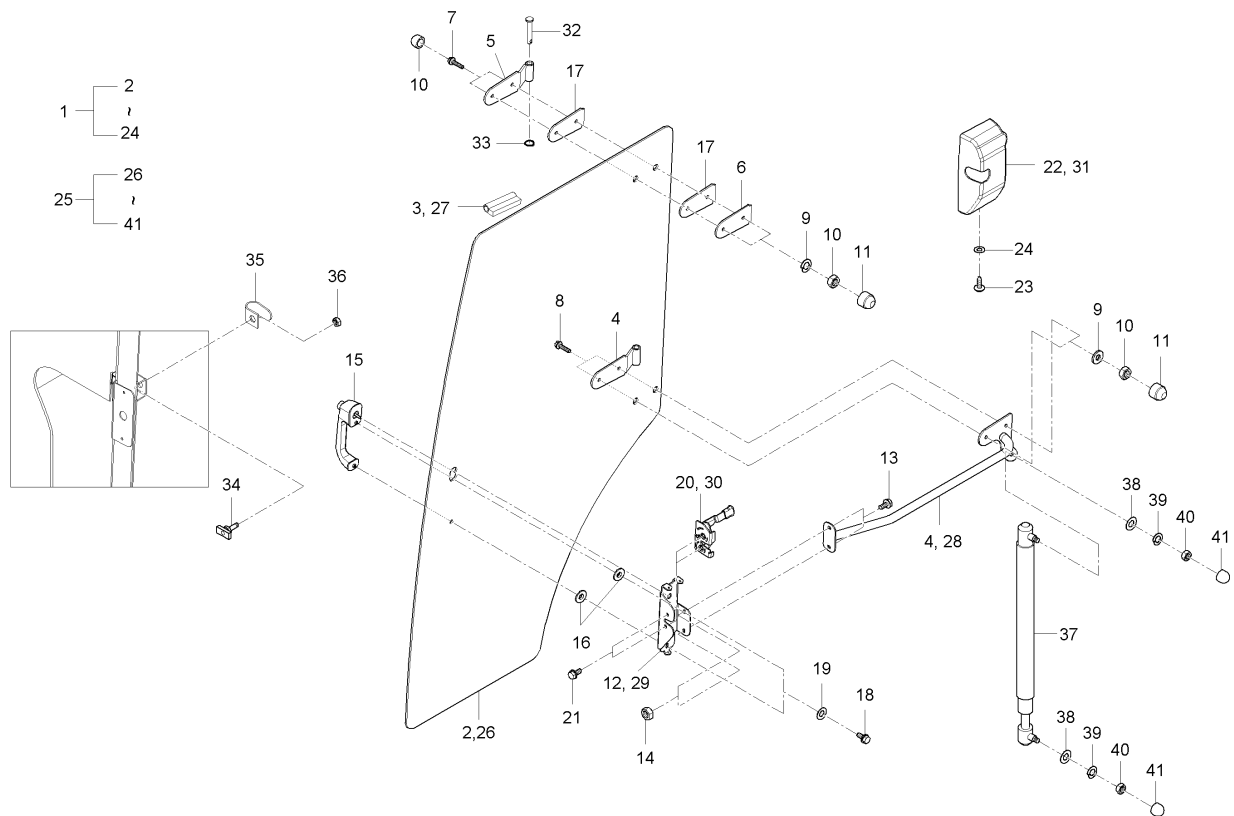
<-0-> Interchangeable with another part(s)

<---- New replace Old

<----> Interchangeable

**CK30C-T9030A**

**DOOR GROUP**



**A : M21C-EU , B : M21HC-EU , C : M27C-EU , D : M27HC-EU**

No.	Part Number	Description	Q'TY					I.C	Remark
			A	B	C	D	E		
20	T4930-51351	LATCH ASSY, LH			1	1			
21	01754-50825	BOLT, FLANGE			4	4			
22	T4930-81321	COVER, SIDE DOOR (LH)			1	1			
23	03054-50416	SCREW			2	2		M4*0.7	
24	04013-50040	WASHER, PLAIN			2	2		M4	
25	T2131-85101	DOOR ASSY, RH			1	1			
26	T2131-85121	GLASS DOOR, RH			1	1			
27	T2131-85131	RUBBER, GLASS DOOR			1	1			
28	T2131-85211	FRAME ASSY, DOOR RH			1	1			
29	T2131-83771	BRACKET, HANDLE RH			1	1			
30	T4930-51361	LATCH ASSY, RH			1	1			
31	T4930-81331	COVER, SIDE DOOR (RH)			1	1			
32	T4810-82741	PIN HINGE, ENTRANCE			4	4			
33	04613-50100	SNAP RING			4	4			
34	T4520-89921	ROD, ROCK			2	2			
35	T4520-89931BB	PROTECTION			2	2			
36	T4810-82961	NUT, FOUR CORNERS			2	2			
37	T2131-84731	GAS SPRING			2	2			
38	04013-50080	WASHER, PLAIN			2	2		M8	

----> Old replace New

<-X-> Not interchangeable

<-0-> Interchangeable with another part(s)

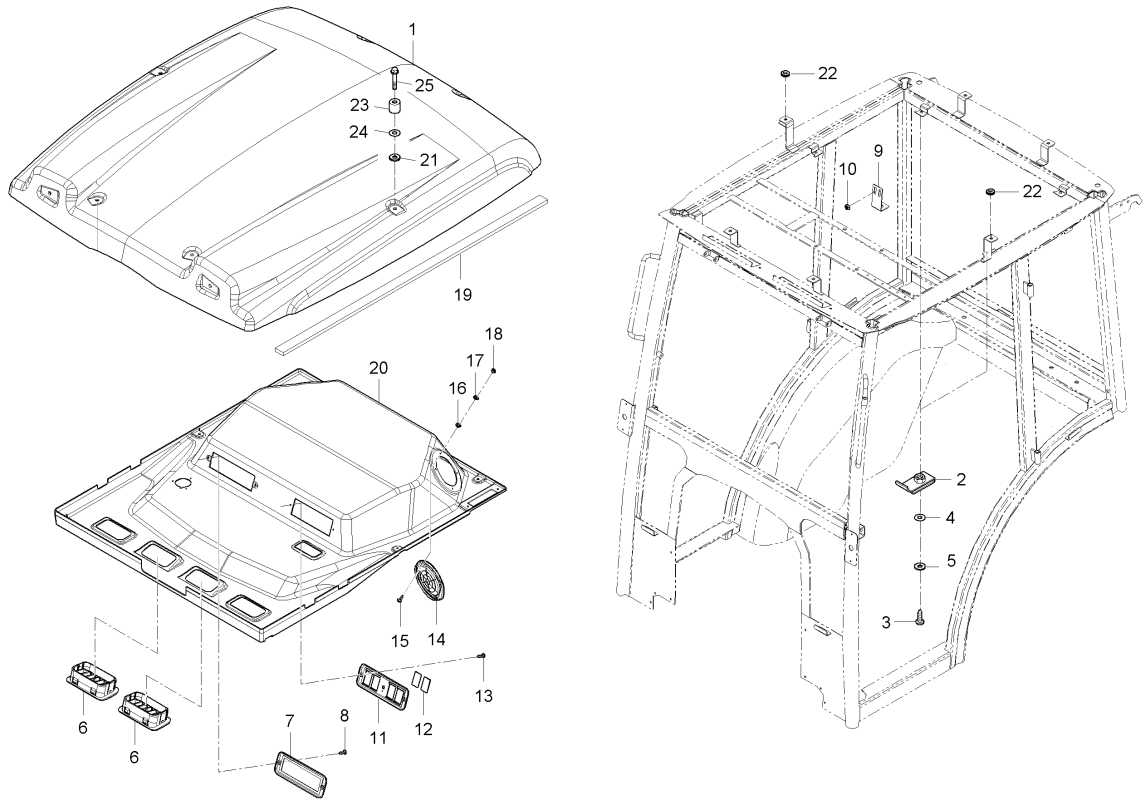
<---- New replace Old

<----> Interchangeable



CK20C-T9040A

ROOF GROUP



A : M21C-EU , B : M21HC-EU , C : M27C-EU , D : M27HC-EU

No.	Part Number	Description	Q'TY					I.C	Remark
			A	B	C	D	E		
1	T2391-82001	ROOF	1	1					
2	38245-2925-3	NUT, SPRING	6	6					
3	03014-50630	SCREW	6	6					
4	04013-50060	WASHER, PLAIN	6	6					
5	T4145-82081	CAP, RUBBER	6	6					
6	T4930-83082	GRILL, AIR CONDITIONER	4	4					
7	T4145-82072	COVER, STEREO	1	1					
8	03054-50416	SCREW	2	2					
9	T2391-82051	BRACKET1, CASSETTE	1	1					
10	02751-50060	NUT, FLANGE	2	2					
11	T2131-82511	PANNEL, SWITCH	1	1					
12	T2131-82521	COVER	2	2					
13	03054-50416	SCREW	2	2					
14	T4810-82352	GRILL, SPEAKER	2	2					
15	03054-50420	SCREW	8	8					
16	04013-50040	WASHER, PLAIN	8	8					
17	04512-50040	WASHER, SPRING	8	8					
18	02054-50040	NUT	8	8					
19	T2391-82131	RUBBER, ROOF SEAING	1	1					

----> Old replace New

<-X-> Not interchangeable

<-0-> Interchangeable with another part(s)

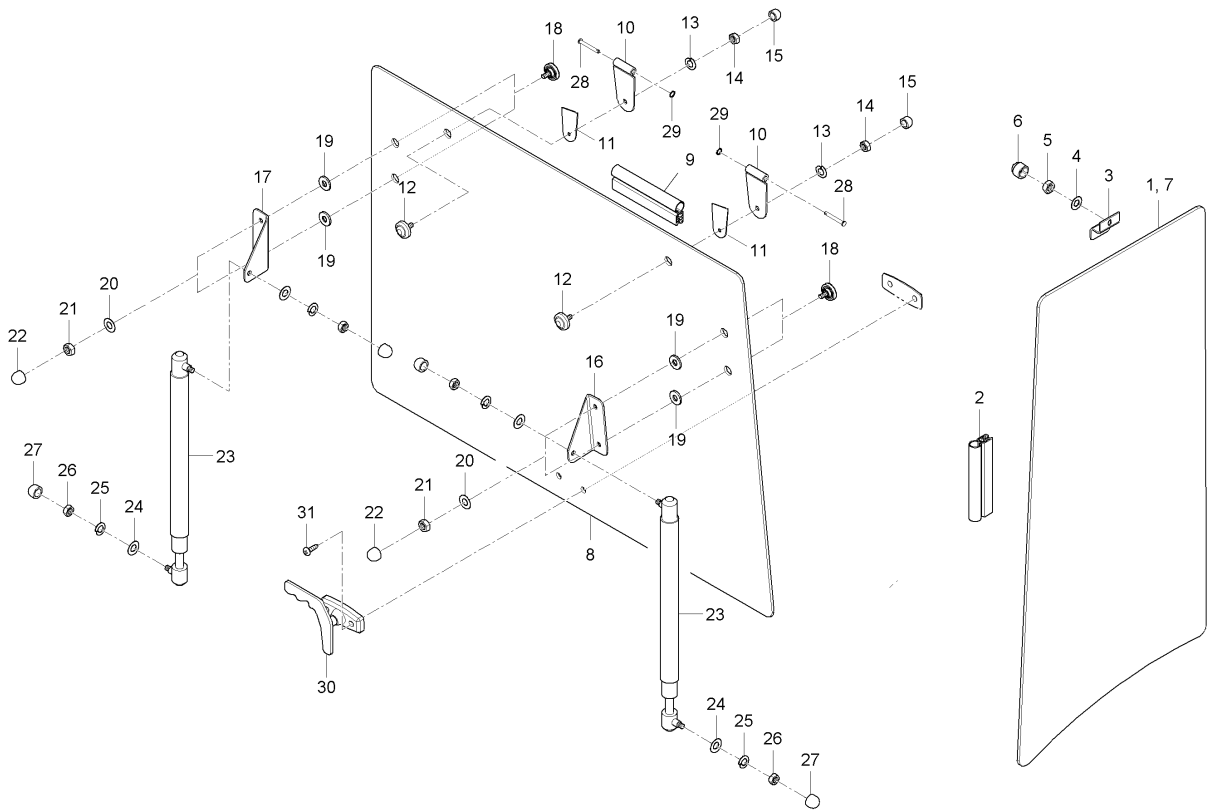
<---- New replace Old

<----> Interchangeable



**CK30C-T9040A**

**REAR GLASS GROUP**



**A : M21C-EU , B : M21HC-EU , C : M27C-EU , D : M27HC-EU**

No.	Part Number	Description	Q'TY					I.C	Remark
			A	B	C	D	E		
1	T2131-86111	GLASS, OUTSIDE LH			1	1			
2	T2131-86121	RUBBER, GLASS			2	2			
3	T4681-85011	BRACKET, GLASS FR UPR			2	2			
4	04013-50060	WASHER, PLAIN			2	2		M6	
5	02114-50060	NUT			2	2			
6	T4680-93211	CAP NUT, M6			2	2			
7	T2131-87111	GLASS, OUTSIDE RH			1	1			
8	T2131-88111	GLASS, RR			1	1			
9	T2131-88121	ROBBER,FRONT GLASS(UP)			1	1			
10	T4624-84511	HINGE			2	2			
11	T4681-90911	PACKING			2	2			
12	T4620-81842	BOLT, CUSHION			2	2			
13	04013-50080	WASHER, PLAIN			2	2		M8	
14	02114-50080	NUT			2	2		M8*P1.25	
15	T4815-93211	CAP NUT, M8			2	2			
16	T4681-85321	BRACKET, CYLINDER GLASS RR LH			1	1			
17	T4681-85331	BRACKET, CYLINDER GLASS RR RH			1	1			
18	T4620-81842	BOLT, CUSHION			4	4			
19	T4520-88401	PACKING			4	4			

----> Old replace New

<-X-> Not interchangeable

<-0-> Interchangeable with another part(s)

<---- New replace Old

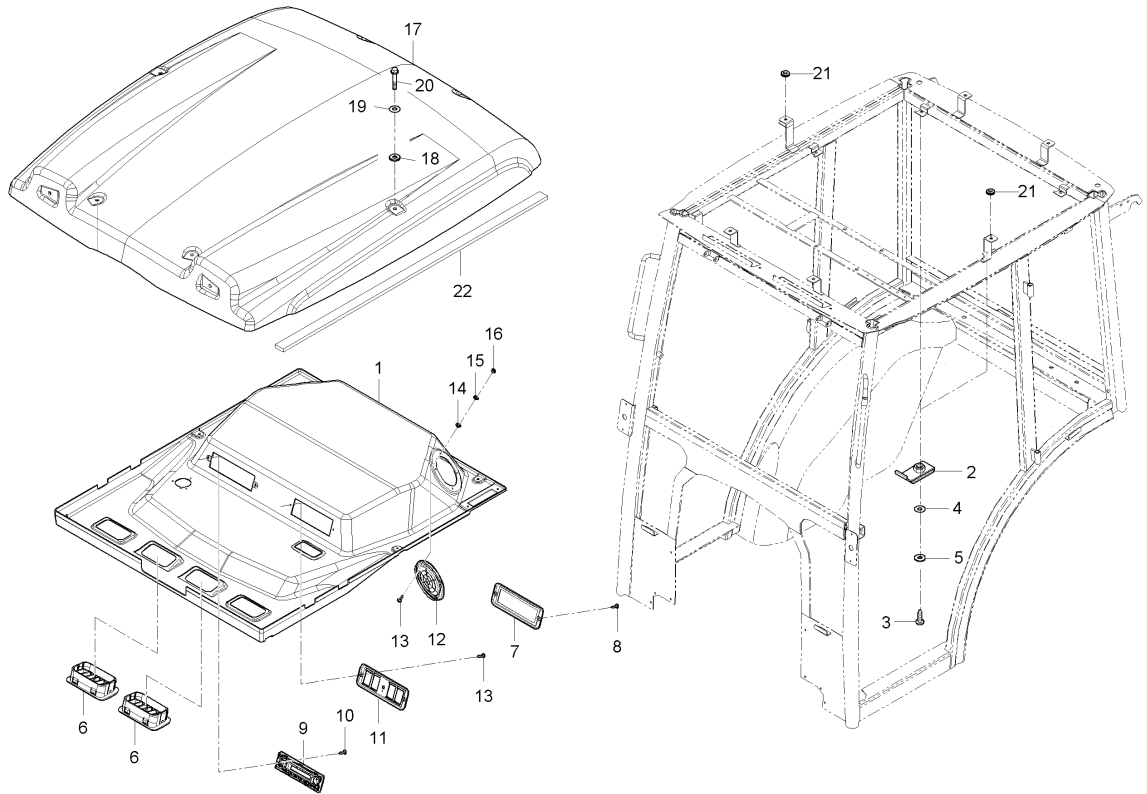
<----> Interchangeable





**CK30C-T9050A**

**ROOF GROUP**



**A : M21C-EU , B : M21HC-EU , C : M27C-EU , D : M27HC-EU**

No.	Part Number	Description	Q'TY					I.C	Remark
			A	B	C	D	E		
1	T2131-82011	CEILING			1	1			
2	38245-2925-3	NUT, SPRING			6	6			
3	03014-50630	SCREW			6	6		M6*P1.0	
4	04013-50060	WASHER, PLAIN			6	6		M6	
5	T4145-82081	CAP, RUBBER			6	6			
6	T4930-83082	GRILL, AIR CONDITIONER			4	4			
7	T4145-82072	COVER, STEREO			1	1			
8	03054-50416	SCREW			2	2		M4*0.7	
9	T2131-82511	PANNEL, SWITCH			1	1			
10	T2131-82521	COVER			2	2			
11	03054-50416	SCREW			2	2		M4*0.7	
12	T4810-82352	GRILL, SPEAKER			2	2			
13	03054-50420	SCREW			8	8			
14	04013-50040	WASHER, PLAIN			8	8		M4	
15	04512-50040	WASHER, SPRING			8	8		M4	
16	02054-50040	NUT			8	8		M4*P0.7	
17	T2131-82001	ROOF			1	1			
18	T4833-87141	PACKING, WASHER			6	6			
19	04013-50080	WASHER, PLAIN			6	6		M8	

----> Old replace New

<-X-> Not interchangeable

<-0-> Interchangeable with another part(s)

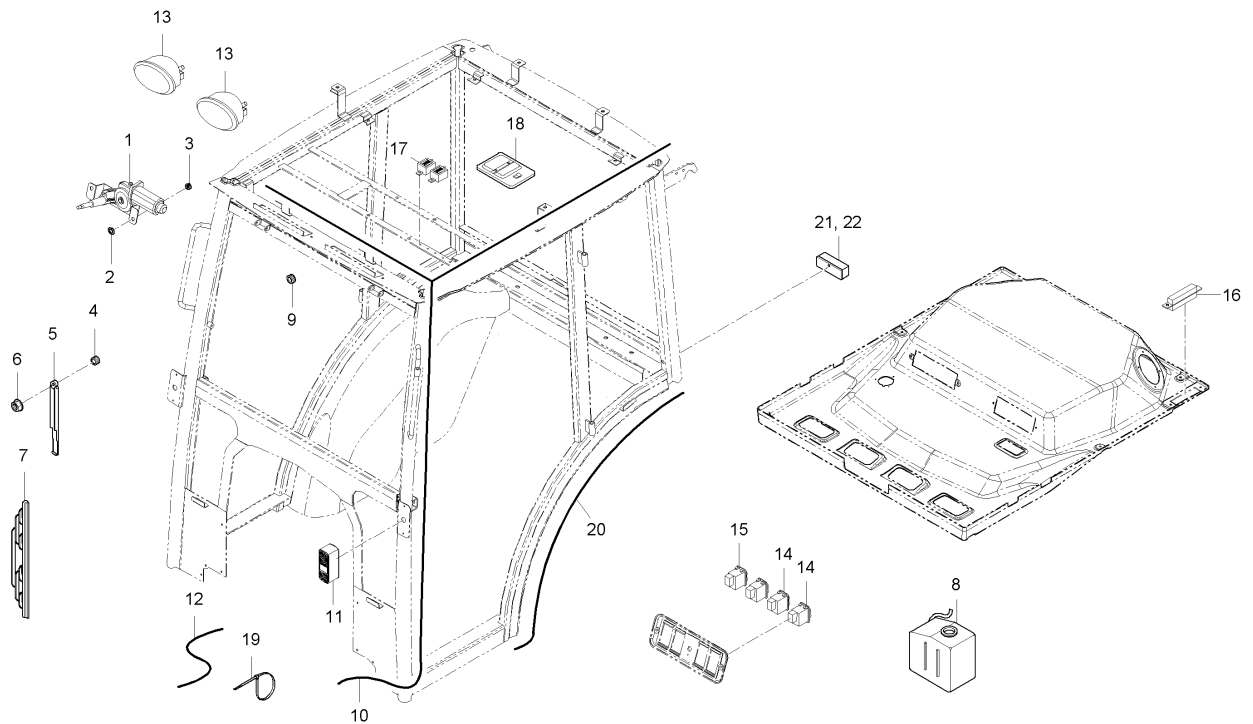
<---- New replace Old

<----> Interchangeable



**CK20C-T9051A**

**ELETRICAL GROUP**



**A : M21C-EU , B : M21HC-EU , C : M27C-EU , D : M27HC-EU**

No.	Part Number	Description	Q'TY					I.C	Remark
			A	B	C	D	E		
1	T4930-69911	MOTOR, WIPER FR	1	1					
2	04013-50080	WASHER, PLAIN	2	2					
3	02751-50080	NUT, FLANGE	2	2					
4	T4815-89171	GROMMET	1	1					
5	T4681-83711	ARM, WIPER	1	1					
6	02751-50080	NUT, FLANGE	1	1					
7	T4815-88231	WIPER, 16-INCH	1	1					
8	T4340-87181	WHSHER LIQUID TANK ASSY	1	1					
9	T2391-87191	GROMMET	1	1					
10	T2391-69171	WIRE HARNESS ASS;Y CABIN 1	1	1					
11	T2391-69071	LAMP FRONT COMBINATION	2	2					
12	T2131-69351	WIRE HARNESS, GENERATOR CONNECTION	1	1					
13	T2131-69801	ASSY LAMJP,WORKING	2	2					
14	T4520-54222	SWITCH, WORKING LAMP	2	2					
15	T4681-83611	SWITCH, HEATER	1	1					
16	T2131-69601	ASSY FUSE BOX	1	1					
17	T4180-69961	RELAY(5P)	3	3					
18	T4815-82361	LAMP, ROOM	1	1					
19	T4520-82561	BAND, CORD	6	6					

----> Old replace New

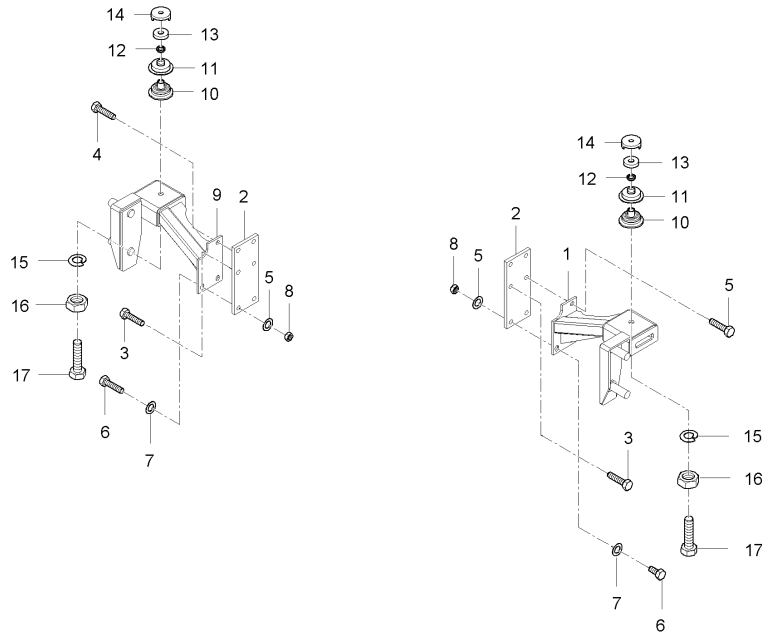
<-X-> Not interchangeable

<-0-> Interchangeable with another part(s)

<---- New replace Old

<---- Interchangeable





A : M21C-EU , B : M21HC-EU , C : M27C-EU , D : M27HC-EU

No.	Part Number	Description	Q'TY					I.C	Remark
			A	B	C	D	E		
1	T2391-33121	SUPPORT, CABIN ASSY LH	1	1					
2	T2391-33251	SPACER, CABIN SUPPORT	2	2					
3	01173-51440	BOLT	6	6					
4	01173-51445	BOLT	2	2					
5	04512-50140	WASHER, SPRING	8	8					
6	01133-51240	BOLT, WASHER	4	4					
7	04013-50120	WASHER, PLAIN	8	8					
8	02176-50120	NUT	4	4					
9	T2391-33131	SUPPORT, CABIN ASSY RH	1	1					
10	T4682-87812	RUBBER 1, DUSTPROOF	2	2					
11	T4682-87821	COVER, DUSTPROOF RUBBER	2	2					
12	T4682-87831	COLLAR, RUBBER	2	2					
13	T4682-87841	RUBBER 2, DUSTPROOF	2	2					
14	T4920-87851	COLLAR	2	2					
15	04512-50160	WASHER, SPRING	2	2					
16	02176-50160	NUT	2	2					
17	01173-51690	BOLT	2	2					

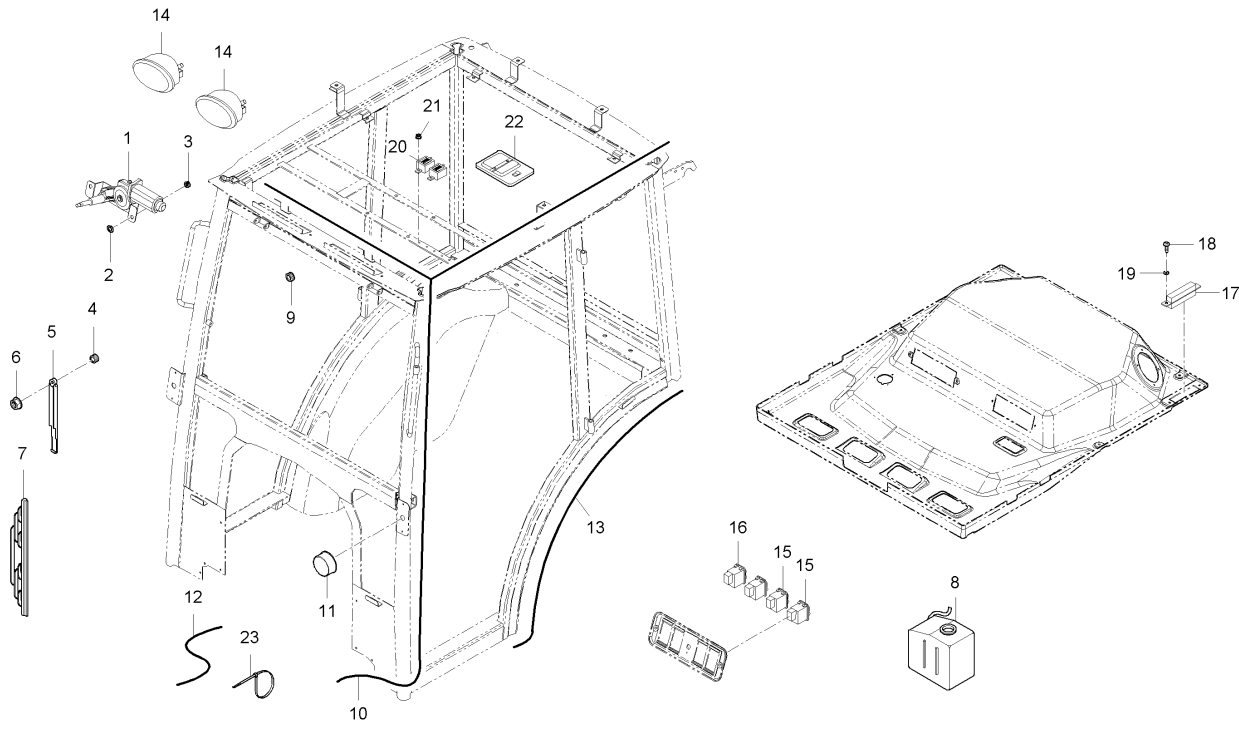
----> Old replace New

<-X-> Not interchangeable

<-0-> Interchangeable with another part(s)

<---- New replace Old

<----> Interchangeable



A : M21C-EU , B : M21HC-EU , C : M27C-EU , D : M27HC-EU

No.	Part Number	Description	Q'TY					I.C	Remark
			A	B	C	D	E		
1	T4930-69911	MOTOR, WIPER FR			1	1			
2	04013-50080	WASHER, PLAIN			2	2		M8	
3	02751-50080	NUT, FLANGE			2	2		M8X1.25	
4	T4815-89171	GROMMET			1	1			
5	T4681-83711	ARM, WIPER			1	1			
6	02751-50080	NUT, FLANGE			1	1		M8X1.25	
7	T4815-88231	WIPER, 16-INCH			1	1			
8	T4340-87181	WHSHER LIQUID TANK ASSY			1	1			
9	T4624-84411				1	1			
10	T2131-69171	WIRE HARNESS, CABIN			1	1			
11	T2131-69071	LAMP FRONT COMBINATION			2	2			
12	T2131-69351	WIRE HARNESS, GENERATOR CONNECTION			1	1			
13	T2131-69341	WIRE HARNESS, TURN SIGNAL LAMP			2	2			
14	T2131-69801	ASSY LAMP, WORKING			2	2			
15	T4520-54222	SWITCH, WORKING LAMP			2	2			
16	T4681-83611	SWITCH, HEATER			1	1			
17	T2131-69601	ASSY FUSE BOX			1	1			
18	03054-50420	SCREW			2	2			
19	04013-50100	WASHER, PLAIN			2	2		M10	

----> Old replace New

<-X-> Not interchangeable

<-0-> Interchangeable with another part(s)

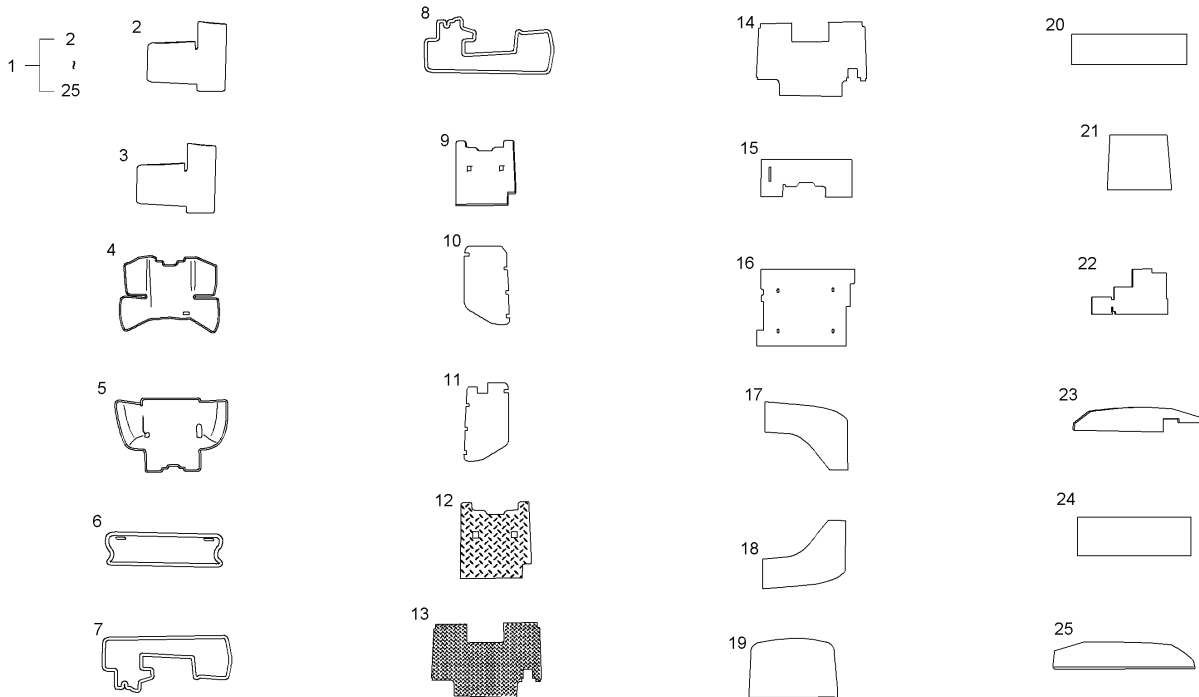
<---- New replace Old

<----> Interchangeable



**CK20C-T9100A**

**SOUNDPROOF GROUP**



**A : M21C-EU , B : M21HC-EU , C : M27C-EU , D : M27HC-EU**

No.	Part Number	Description	Q'TY					I.C	Remark
			A	B	C	D	E		
1	T2391-80111	interior material KIT	1						
2	T2391-98151	SOUND INSULATION PAD (FENDER RR LH)	1						
3	T2391-98161	SOUND INSULATION PAD (FENDER RR RH)	1						
4	T2391-94111	REZA COVER (INSTRUMENT)	1						
5	T2391-96191	REZA COVER (FLOOR, SEAT / MECHANICA	1						
6	T2391-98131	COVER	1						
7	T2391-98111	REZA COVER	1						
8	T2391-98121	REZA COVER	1						
9	T2391-94151	SOUND ABSORPTION PAD (INSTRUMENT MI	1						
10	T2391-94131	SOUND INSULATION PAD (INSTRUMENT LH	1						
11	T2391-94141	SOUND INSULATION PAD (INSTRUMENT RH	1						
12	T2391-94121	SOUND INSULATION PAD (INSTRUMENT MI	1						
13	T2391-96111	SOUND INSULATION PAD	1						
14	T2391-96131	SOUND ABSORPTION PAD	1						
15	T2391-96211	SOUND ABSORPTION PAD (FLOOR, SEAT F	1						
16	T2391-96221	SOUND ABSORPTION PAD (FLOOR, SEAT L	1						
17	T2391-91251	SOUND ABSORPTION PAD (COVER, SIDE L	1						
18	T2391-91261	SOUND ABSORPTION PAD (COVER, SIDE R	1						
19	T2391-91111	SOUND ABSORPTION PAD (COVER, ENGINE	1						

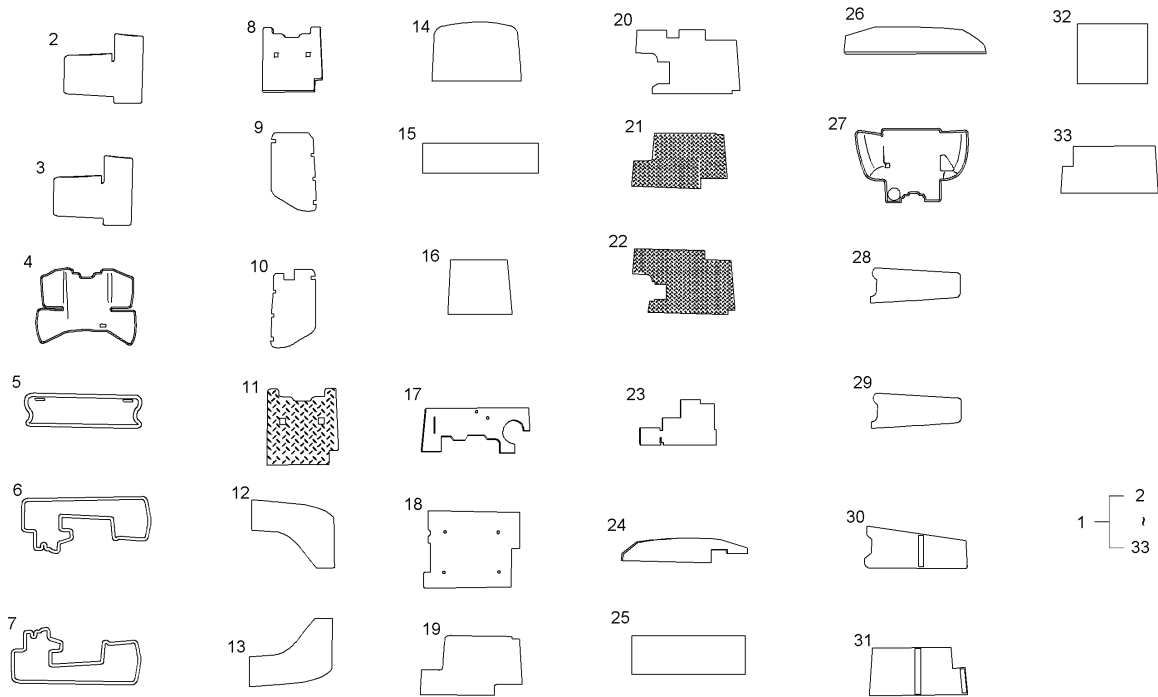
----> Old replace New  
 <-X-> Not interchangeable  
 <-0-> Interchangeable with another part(s)  
 <----> New replace Old  
 <----> Interchangeable





CK20C-T9101A

SOUNDPROOF GROUP



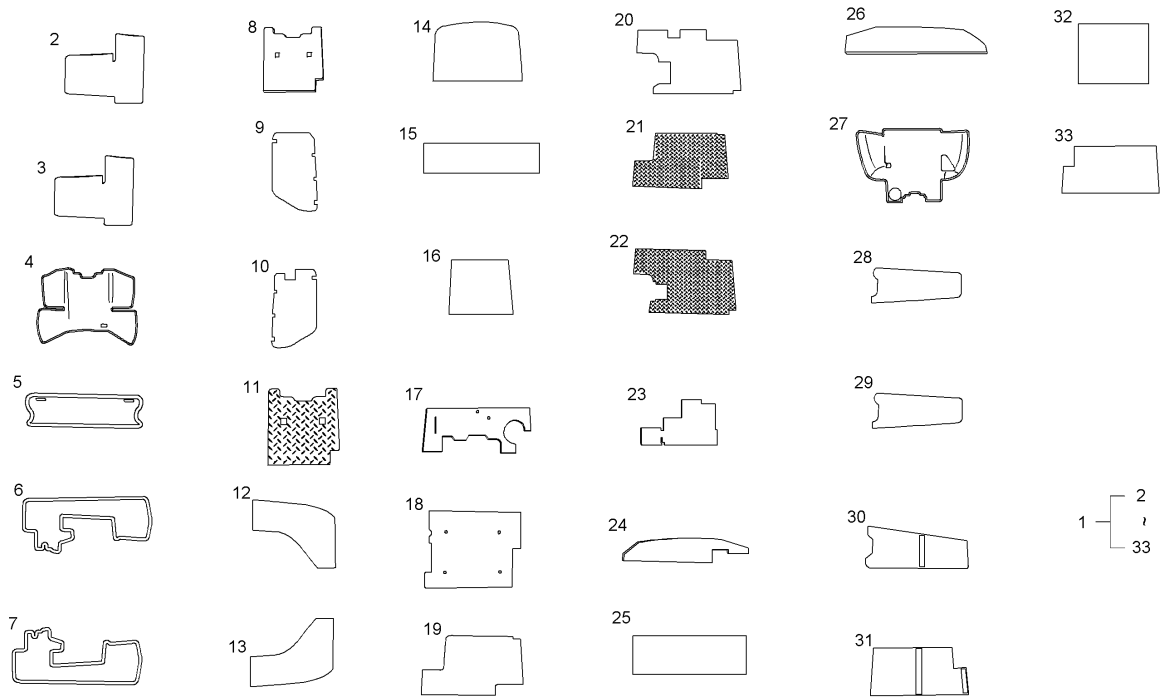
A : M21C-EU , B : M21HC-EU , C : M27C-EU , D : M27HC-EU

No.	Part Number	Description	Q'TY					I.C	Remark
			A	B	C	D	E		
1	T2392-80111	KIT, INTERIOR TRIM(HST)		1					
2	T2391-98151	SOUND INSULATION PAD (FENDER RR LH)		1					
3	T2391-98161	SOUND INSULATION PAD (FENDER RR RH)		1					
4	T2391-94111	REZA COVER (INSTRUMENT)		1					
5	T2391-98131	COVER		1					
6	T2391-98111	REZA COVER		1					
7	T2391-98121	REZA COVER		1					
8	T2391-94151	SOUND ABSORPTION PAD (INSTRUMENT MI		1					
9	T2391-94131	SOUND INSULATION PAD (INSTRUMENT LH		1					
10	T2391-94141	SOUND INSULATION PAD (INSTRUMENT RH		1					
11	T2391-94121	SOUND INSULATION PAD (INSTRUMENT MI		1					
12	T2391-91251	SOUND ABSORPTION PAD (COVER, SIDE L		1					
13	T2391-91261	SOUND ABSORPTION PAD (COVER, SIDE R		1					
14	T2391-91111	SOUND ABSORPTION PAD (COVER, ENGINE		1					
15	T2391-91121	SOUND ABSORPTION PAD (COVER, ENGINE		1					
16	T2391-91131	SOUND ABSORPTION PAD (COVER, ENGINE		1					
17	T2392-96211	SOUND ABSORPTION PAD (FLOOR, SEAT F		1					
18	T2392-96221	SOUND ABSORPTION PAD (FLOOR, SEAT L		1					
19	T2392-96141	SOUND ABSORPTION PAD(PLATE, FLOOR/H		1					

----> Old replace New  
 <-X-> Not interchangeable  
 <-0-> Interchangeable with another part(s)  
 <----> New replace Old  
 <----> Interchangeable

CK20C-T9101A

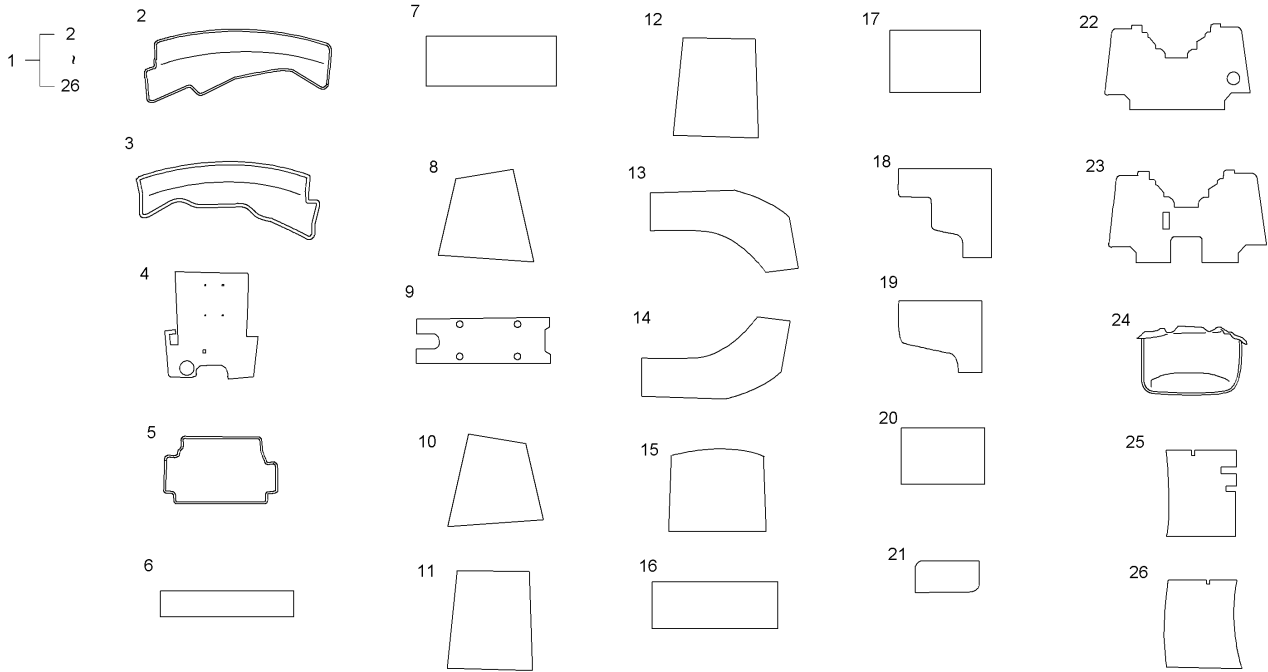
SOUNDPROOF GROUP



A : M21C-EU , B : M21HC-EU , C : M27C-EU , D : M27HC-EU

No.	Part Number	Description	Q'TY					I.C	Remark
			A	B	C	D	E		
20	T2392-96151	SPONGE		1					
21	T2392-96161	SOUND INSULATION PAD		1					
22	T2392-96171	SOUND INSULATION PAD (PLATE, FLOOR)		1					
23	T2391-91211	PLATE, HEAT SHIELD		1					
24	T2391-91221	PLATE2, HEAT SHIELD		1					
25	T2391-91231	PLATE, HEAT SHILD1		1					
26	T2391-91241	PLATE2, HEAT SHIELD		1					
27	T2392-96191	REZA COVER (FLOOR, SEAT / HST)		1					
28	T2392-96361	SOUND INSULATION PAD (MISSION COVER)		1					
29	T2392-96351	SOUND ABSORPTION PAD		1					
30	T2392-96341	SOUND INSULATION PAD		1					
31	T2392-96331	SOUND INSULATION PAD		1					
32	T2392-96321	SOUND ABSORPTION PAD		1					
33	T2392-96311	SOUND ABSORPTION PAD 1		1					

----> Old replace New  
 <-X-> Not interchangeable  
 <-0-> Interchangeable with another part(s)  
 <---- New replace Old  
 <----> Interchangeable



A : M21C-EU , B : M21HC-EU , C : M27C-EU , D : M27HC-EU

No.	Part Number	Description	Q'TY					I.C	Remark
			A	B	C	D	E		
1	T2132-80211	interior material ASSY				1			
2	T2131-98111	REZA COVER				1			
3	T2131-98121	REZA COVER				1			
4	T2132-96171	REZA COVER(PLATE, FLOOR LWR/HST)				1			
5	T2131-96211	REZA COVER				1			
6	T2131-96221	SOUND ABSORPTION PAD				1			
7	T2131-96231	SOUND ABSORPTION PAD				1			
8	T2131-94191	SOUND ABSORPTION PAD				1			
9	T2131-94151	SOUND ABSORPTION PAD				1			
10	T2131-94161	SOUND ABSORPTION PAD				1			
11	T2131-94171	SOUND ABSORPTION PAD				1			
12	T2131-94181	SOUND ABSORPTION PAD				1			
13	T2131-91251	SOUND ABSORPTION PAD				1			
14	T2131-91261	SOUND ABSORPTION PAD				1			
15	T2131-91111	SOUND ABSORPTION PAD				1			
16	T2131-91121	SOUND ABSORPTION PAD				1			
17	T2131-91131	SOUND ABSORPTION PAD				1			
18	T2131-91141	SOUND ABSORPTION PAD				1			
19	T2131-91151	SOUND ABSORPTION PAD				1			

----> Old replace New

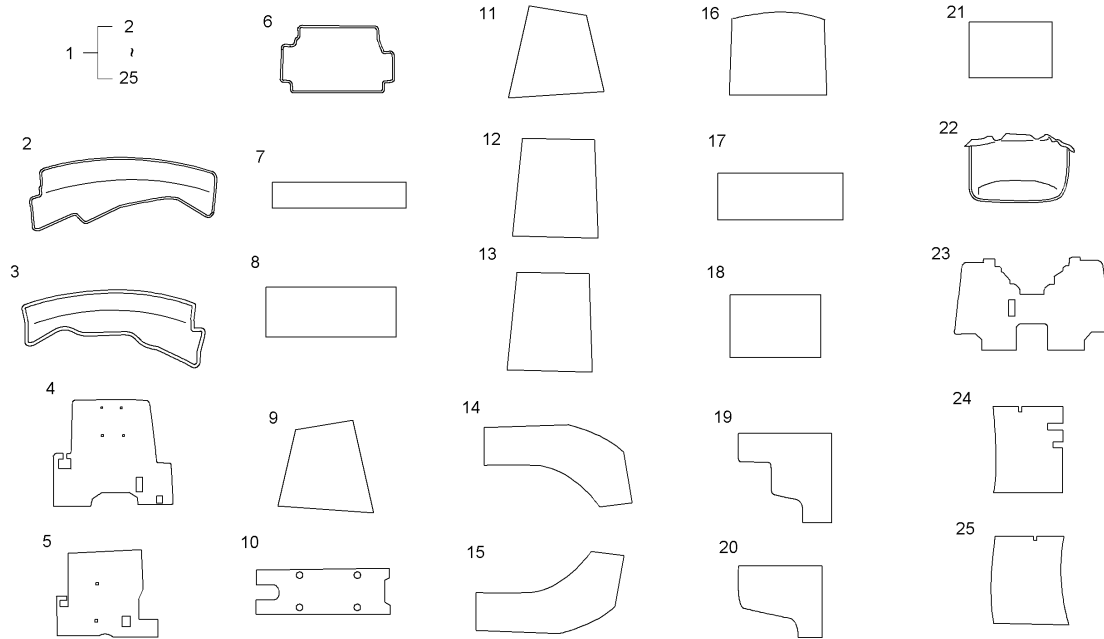
<-X-> Not interchangeable

<-0-> Interchangeable with another part(s)

<---- New replace Old

<----> Interchangeable





**A : M21C-EU , B : M21HC-EU , C : M27C-EU , D : M27HC-EU**

No.	Part Number	Description	Q'TY					I.C	Remark
			A	B	C	D	E		
1	T2131-80211	interior material ASSY			1				
2	T2131-98111	REZA COVER			1				
3	T2131-98121	REZA COVER			1				
4	T2131-96171	REZA COVER			1				
5	T2131-96211	REZA COVER			1				
6	T2131-96221	SOUND ABSORPTION PAD			1				
7	T2131-96231	SOUND ABSORPTION PAD			1				
8	T2131-94191	SOUND ABSORPTION PAD			1				
9	T2131-94151	SOUND ABSORPTION PAD			1				
10	T2131-94161	SOUND ABSORPTION PAD			1				
11	T2131-94171	SOUND ABSORPTION PAD			1				
12	T2131-94181	SOUND ABSORPTION PAD			1				
13	T2131-91251	SOUND ABSORPTION PAD			1				
14	T2131-91261	SOUND ABSORPTION PAD			1				
15	T2131-91111	SOUND ABSORPTION PAD			1				
16	T2131-91121	SOUND ABSORPTION PAD			1				
17	T2131-91131	SOUND ABSORPTION PAD			1				
18	T2131-91141	SOUND ABSORPTION PAD			1				
19	T2131-91151	SOUND ABSORPTION PAD			1				

----> Old replace New

<-X-> Not interchangeable

<-0-> Interchangeable with another part(s)

<---- New replace Old

<----> Interchangeable











# **INDEX 1**

PART NO.	PAGE	PART NO.	PAGE	PART NO.	PAGE	PART NO.	PAGE	PART NO.	PAGE
01023-50625	25	02751-50080	1	04512-50080	18	T2131-82161	31	T2131-85131	12
01123-50825	17	02751-50080	4	04512-50080	21	T2131-82171	14	T2131-85131	26
01123-50830	17	02751-50080	7	04512-50080	24	T2131-82171	21	T2131-85141	6
01123-50830	25	02751-50080	10	04512-50080	27	T2131-82211	1	T2131-85141	12
01133-51030	17	02751-50080	34	04512-50080	31	T2131-82211	4	T2131-85211	26
01133-51240	37	02751-50080	37	04512-50140	17	T2131-82211	7	T2131-85411	3
01150-50820	14	03014-50625	50	04512-50140	37	T2131-82211	10	T2131-85411	9
01150-50820	21	03014-50630	28	04512-50160	6	T2131-82221	1	T2131-85421	3
01153-50830	29	03014-50630	32	04512-50160	12	T2131-82221	4	T2131-85421	9
01173-51440	37	03024-50420	50	04512-50160	37	T2131-82221	7	T2131-86111	30
01173-51445	37	03054-50416	18	04613-50060	21	T2131-82221	10	T2131-86121	30
01173-51470	17	03054-50416	26	04613-50060	24	T2131-82421	33	T2131-86401	1
01173-51490	17	03054-50416	28	04613-50060	31	T2131-82511	28	T2131-86401	4
01173-51600	6	03054-50416	32	04613-50100	18	T2131-82511	32	T2131-86401	7
01173-51600	12	03054-50420	5	04613-50100	26	T2131-82521	28	T2131-86401	10
01173-51690	6	03054-50420	11	05112-50855	24	T2131-82521	32	T2131-86501	1
01173-51690	12	03054-50420	28	05112-50855	31	T2131-83011	6	T2131-86501	4
01173-51690	37	03054-50420	32	38245-2925-3	28	T2131-83011	12	T2131-86501	7
01754-50612	5	03054-50420	37	38245-2925-3	32	T2131-83021	6	T2131-86501	10
01754-50612	11	03054-50614	24	41011-5151-4	5	T2131-83021	12	T2131-87021	1
01754-50616	5	03054-50614	31	41011-5151-4	11	T2131-83111	21	T2131-87021	4
01754-50616	11	04013-50040	1	41011-5151-4	21	T2131-83121	21	T2131-87021	7
01754-50620	2	04013-50040	5	84612-1823-0	1	T2131-83211	22	T2131-87021	10
01754-50620	8	04013-50040	7	84612-1823-0	4	T2131-83511	2	T2131-87031	1
01754-50620	17	04013-50040	11	84612-1823-0	7	T2131-83511	8	T2131-87031	4
01754-50620	25	04013-50040	18	84612-1823-0	10	T2131-83521	2	T2131-87031	7
01754-50812	48	04013-50040	26	T2131-33121	17	T2131-83521	8	T2131-87031	10
01754-50812	49	04013-50040	28	T2131-33131	17	T2131-83761	17	T2131-87041	1
01754-50825	5	04013-50040	32	T2131-33161	17	T2131-83761	25	T2131-87041	4
01754-50825	11	04013-50060	23	T2131-33171	17	T2131-83771	18	T2131-87041	7
01754-50825	18	04013-50060	25	T2131-51031	17	T2131-83771	26	T2131-87041	10
01754-50825	26	04013-50060	28	T2131-51031	25	T2131-84101	25	T2131-87111	30
01754-50830	33	04013-50060	30	T2131-69071	37	T2131-84121	25	T2131-88111	30
02054-50040	1	04013-50060	32	T2131-69171	37	T2131-84131	25	T2131-88121	30
02054-50040	5	04013-50060	50	T2131-69341	37	T2131-84141	5	T2131-88201	48
02054-50040	7	04013-50080	5	T2131-69351	34	T2131-84141	11	T2131-88301	49
02054-50040	11	04013-50080	11	T2131-69351	37	T2131-84151	5	T2131-89101	49
02054-50040	28	04013-50080	14	T2131-69601	34	T2131-84151	11	T2131-89111	49
02054-50040	32	04013-50080	18	T2131-69601	37	T2131-84161	5	T2131-89401	50
02114-50060	23	04013-50080	21	T2131-69801	34	T2131-84161	11	T2131-91111	43
02114-50060	30	04013-50080	24	T2131-69801	37	T2131-84171	4	T2131-91111	45
02114-50060	50	04013-50080	26	T2131-70031	17	T2131-84171	10	T2131-91121	43
02114-50080	5	04013-50080	29	T2131-70041	17	T2131-84211	25	T2131-91121	45
02114-50080	11	04013-50080	31	T2131-70051	17	T2131-84251	17	T2131-91131	43
02114-50080	14	04013-50080	32	T2131-70061	17	T2131-84251	25	T2131-91131	45
02114-50080	19	04013-50080	34	T2131-80011	4	T2131-84271	25	T2131-91141	43
02114-50080	21	04013-50080	37	T2131-80021	4	T2131-84511	5	T2131-91141	45
02114-50080	24	04013-50100	17	T2131-80021	10	T2131-84511	11	T2131-91151	43
02114-50080	27	04013-50100	37	T2131-80211	45	T2131-84521	5	T2131-91151	45
02114-50080	31	04013-50120	37	T2131-82001	32	T2131-84521	11	T2131-91161	44
02176-50100	17	04512-50040	1	T2131-82011	32	T2131-84551	6	T2131-91161	46
02176-50120	37	04512-50040	4	T2131-82111	20	T2131-84551	12	T2131-91171	44
02176-50160	6	04512-50040	7	T2131-82121	20	T2131-84561	5	T2131-91171	46
02176-50160	12	04512-50040	10	T2131-82141	13	T2131-84571	5	T2131-91251	43
02176-50160	37	04512-50040	28	T2131-82141	20	T2131-84581	6	T2131-91251	45
02751-50060	17	04512-50040	32	T2131-82151	13	T2131-84731	26	T2131-91261	43
02751-50060	25	04512-50060	50	T2131-82151	20	T2131-85101	26	T2131-91261	45
02751-50060	28	04512-50080	5	T2131-82161	14	T2131-85111	11	T2131-94131	44
02751-50060	38	04512-50080	11	T2131-82161	21	T2131-85121	11	T2131-94131	46
02751-50060	48	04512-50080	14	T2131-82161	24	T2131-85121	26	T2131-94141	44

PART NO.	PAGE	PART NO.	PAGE	PART NO.	PAGE	PART NO.	PAGE	PART NO.	PAGE
T2131-94141	46	T2391-84241	17	T2391-94141	41	T4520-54222	48	T4682-87831	6
T2131-94151	43	T2391-84241	25	T2391-94151	39	T4520-54222	49	T4682-87831	12
T2131-94151	45	T2391-85101	18	T2391-94151	41	T4520-82561	34	T4682-87831	37
T2131-94161	43	T2391-85121	18	T2391-96111	39	T4520-82561	38	T4682-87841	6
T2131-94161	45	T2391-85131	2	T2391-96131	39	T4520-88401	14	T4682-87841	12
T2131-94171	43	T2391-85131	8	T2391-96191	39	T4520-88401	17	T4682-87841	37
T2131-94171	45	T2391-85141	2	T2391-96211	39	T4520-88401	21	T4688-69312	48
T2131-94181	43	T2391-85141	8	T2391-96221	39	T4520-88401	23	T4688-69321	48
T2131-94181	45	T2391-85151	2	T2391-98111	39	T4520-88401	25	T4810-82341	50
T2131-94191	43	T2391-85151	8	T2391-98111	41	T4520-88401	30	T4810-82352	28
T2131-94191	45	T2391-85181	2	T2391-98121	39	T4520-89921	18	T4810-82352	32
T2131-96111	46	T2391-85181	8	T2391-98121	41	T4520-89921	26	T4810-82421	50
T2131-96121	46	T2391-85211	18	T2391-98131	39	T4520-89931BB	18	T4810-82741	18
T2131-96171	45	T2391-86111	23	T2391-98131	41	T4520-89931BB	26	T4810-82741	26
T2131-96211	43	T2391-86211	2	T2391-98151	39	T4620-81842	14	T4810-82961	18
T2131-96211	45	T2391-86211	8	T2391-98151	41	T4620-81842	17	T4810-82961	26
T2131-96221	43	T2391-86221	2	T2391-98161	39	T4620-81842	21	T4815-78111	29
T2131-96221	45	T2391-86221	8	T2391-98161	41	T4620-81842	23	T4815-78111	33
T2131-96231	43	T2391-86231	2	T2392-80011	7	T4620-81842	25	T4815-82361	34
T2131-96231	45	T2391-86231	8	T2392-80021	7	T4620-81842	30	T4815-82361	38
T2131-98111	43	T2391-86241	2	T2392-80111	41	T4620-88051	14	T4815-88231	34
T2131-98111	45	T2391-86241	8	T2392-96141	41	T4620-88051	21	T4815-88231	37
T2131-98121	43	T2391-86251	2	T2392-96151	42	T4624-84411	37	T4815-89171	34
T2131-98121	45	T2391-86251	8	T2392-96161	42	T4624-84511	13	T4815-89171	37
T2132-31111	12	T2391-86261	2	T2392-96171	42	T4624-84511	20	T4815-93211	14
T2132-80011	10	T2391-86261	8	T2392-96191	42	T4624-84511	23	T4815-93211	19
T2132-80211	43	T2391-87061	2	T2392-96211	41	T4624-84511	30	T4815-93211	21
T2132-96111	44	T2391-87061	9	T2392-96221	41	T4625-55441	1	T4815-93211	24
T2132-96121	44	T2391-87111	23	T2392-96311	42	T4625-55441	4	T4815-93211	27
T2132-96131	44	T2391-87121	23	T2392-96321	42	T4625-55441	7	T4815-93211	31
T2132-96171	43	T2391-87191	34	T2392-96331	42	T4625-55441	10	T4818-83001	1
T2191-84731	18	T2391-88111	23	T2392-96341	42	T4680-93211	23	T4818-83001	6
T2391-33111	8	T2391-88121	23	T2392-96351	42	T4680-93211	30	T4818-83001	7
T2391-33121	37	T2391-89111	2	T2392-96361	42	T4680-93211	48	T4818-83001	12
T2391-33131	37	T2391-89111	8	T2611-75881	2	T4681-83431	29	T4833-87141	29
T2391-33251	37	T2391-91111	39	T2611-75881	8	T4681-83611	34	T4833-87141	32
T2391-68111	2	T2391-91111	41	T2611-75882	35	T4681-83611	37	T4835-87621	14
T2391-68111	8	T2391-91121	40	T2611-75891	2	T4681-83711	34	T4835-87621	21
T2391-68151	2	T2391-91121	41	T2611-75891	8	T4681-83711	37	T4835-87621	24
T2391-68151	8	T2391-91131	40	T2611-75892	35	T4681-85011	23	T4835-87621	31
T2391-69071	34	T2391-91131	41	T4145-82052	1	T4681-85011	30	T4920-87851	6
T2391-69171	34	T2391-91211	40	T4145-82052	4	T4681-85321	13	T4920-87851	12
T2391-69371	35	T2391-91211	42	T4145-82052	7	T4681-85321	20	T4920-87851	37
T2391-80011	1	T2391-91221	40	T4145-82052	10	T4681-85321	23	T4930-51351	17
T2391-80021	1	T2391-91221	42	T4145-82072	28	T4681-85321	30	T4930-51351	26
T2391-80111	39	T2391-91231	40	T4145-82072	32	T4681-85331	13	T4930-51361	18
T2391-82001	28	T2391-91231	42	T4145-82081	28	T4681-85331	20	T4930-51361	26
T2391-82011	29	T2391-91241	40	T4145-82081	32	T4681-85331	23	T4930-54501	50
T2391-82051	28	T2391-91241	42	T4180-69961	34	T4681-85331	30	T4930-55411	50
T2391-82111	13	T2391-91251	39	T4180-69961	38	T4681-90911	13	T4930-69911	34
T2391-82121	13	T2391-91251	41	T4180-69961	48	T4681-90911	19	T4930-69911	37
T2391-82131	28	T2391-91261	39	T4180-69961	49	T4681-90911	20	T4930-81321	18
T2391-83111	14	T2391-91261	41	T4340-38241	1	T4681-90911	23	T4930-81321	26
T2391-83121	14	T2391-94111	39	T4340-38241	4	T4681-90911	30	T4930-81331	18
T2391-83211	15	T2391-94111	41	T4340-38241	7	T4682-87812	6	T4930-81331	26
T2391-83221	15	T2391-94121	39	T4340-38241	10	T4682-87812	12	T4930-83082	28
T2391-84101	17	T2391-94121	41	T4340-87181	34	T4682-87812	37	T4930-83082	32
T2391-84121	17	T2391-94131	39	T4340-87181	37	T4682-87821	6		
T2391-84131	18	T2391-94131	41	T4520-54222	34	T4682-87821	12		
T2391-84211	17	T2391-94141	39	T4520-54222	37	T4682-87821	37		

# **INDEX 2**



# **INDEX 3**



