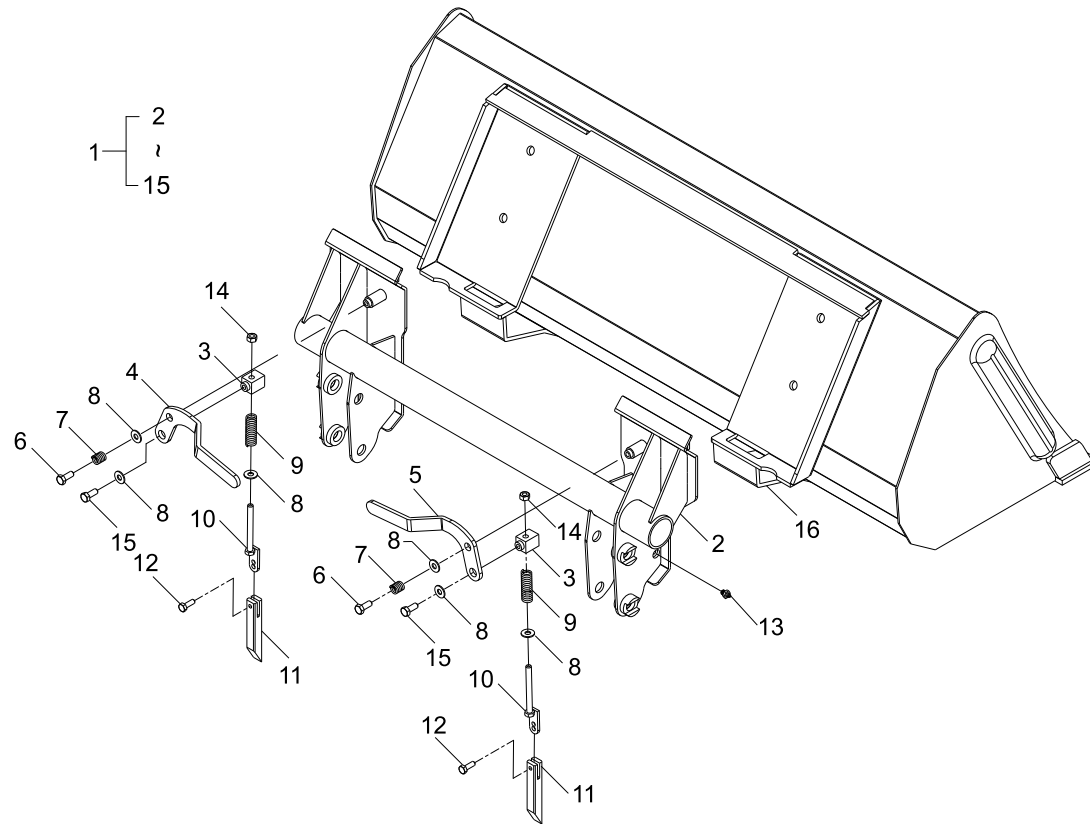


13.3 QUICK ATTACHMENT

UPDATED(09.29.2008)



1300D01-1B

