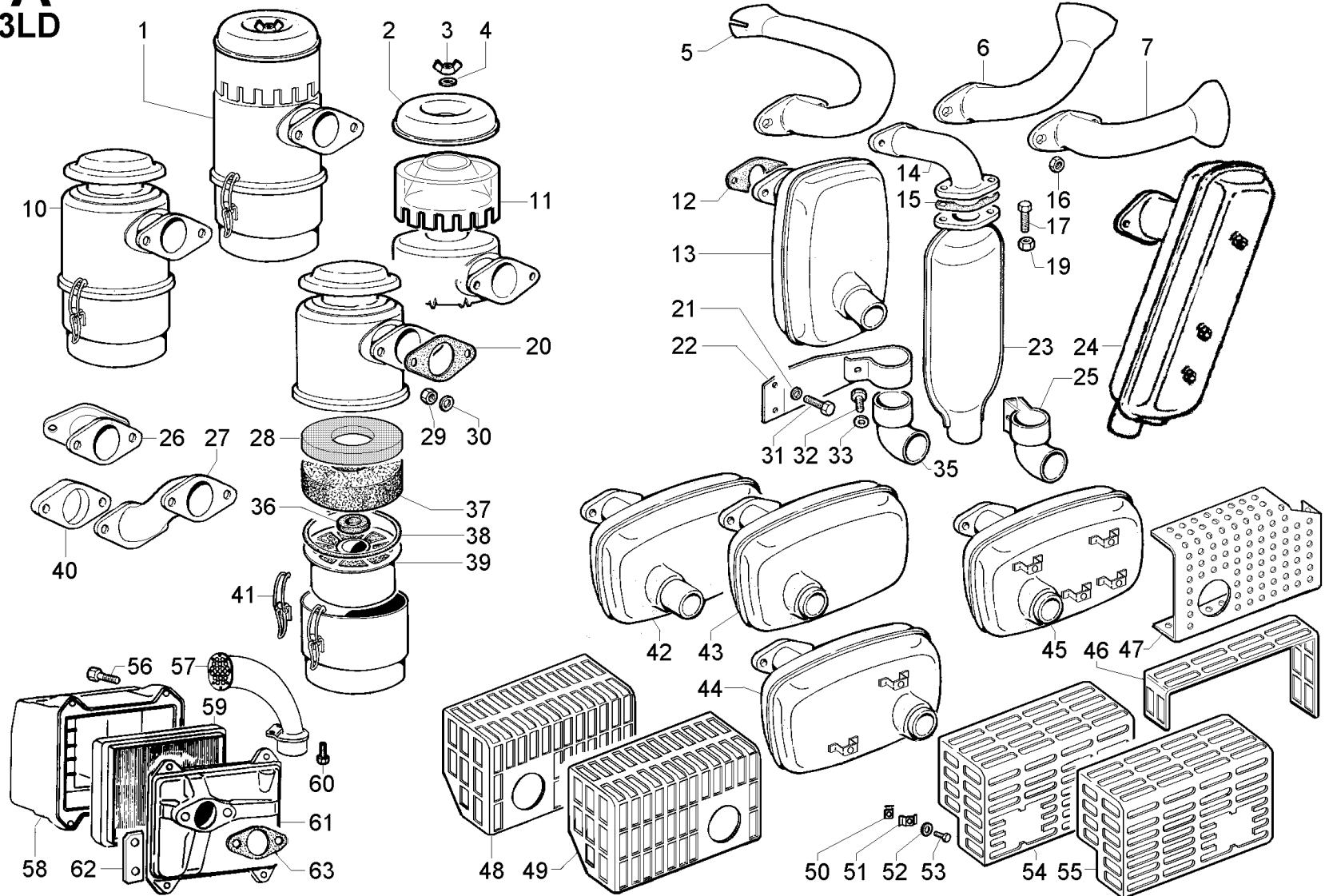


**A**  
**3LD**



**INTAKE AND EXHAUST**

POS.	CODE	DESCRIPTION	Qty
1	3700.102	air cleaner diam. 140	1
2	2125.056	cap	1
3	3200.002	wing nut M 6	1
4	4775.137	gasket	1
10	3700.101	air cleaner diam. 140	1
11	1301.069	cyclonic prefilter (Ø 138)	1
12	4500.091	gasket	2
13	5460.090	exhaust muffler	1
13	5461.090	muffler (for engine with electric starting)	1
14	2942.050	muffler elbow	1
15	4500.079	exhaust gasket	1
16	3240.163	nut M 8	2
17	1770.006	bolt M 8 X 1,25 X 25	2
19	3240.163	nut M 8	2
20	4500.067	gasket	2
21	7625.061	washer diam. 8,4	2
22	8546.021	bracket	1
23	5461.047	exhaust.muffler	1
24	5460.291	muffler with horiz.inlet flange	1
25	9170.052	muffler end (diam. 39,5/42)	1
26	2942.016	air clean.elbow	1
27	2942.065	air clean.elbow	1
29	3240.021	nut M 8	2
30	7555.029	washer diam. 8	2
31	1770.007	bolt M 8 X 1,25 X 30	2
32	1780.003	bolt M 10 X 1,5 X 18	1
33	7565.011	washer diam.10	1
35	9170.028	muffler end (d.46,5/40)	1
36	1261.073	seal ring diam. 62,5	1
37	5496.110	upper filter.element	1
38	4776.032	gasket h= 7 diam. 154	1
39	5496.111	filtering element h.87 diam.138	1
40	3781.073	intermediate flange	1
41	4115.048	hook	2
42	5462.084	exhaust muffler	1
43	«-----»	supeseded by Pos. A 42	0
44	5460.432	muffler (for engine with rewind start.)	1
45	5460.439	muffler (for engine with electric starting)	1
46	5096.085	muffler guard	1
47	6927.115	muffler guard	1
48	6927.342	muffler guard	1
49	6927.333	muffler guard	1
50	6275.150	threaded plate	5
51	5111.114	plate	5
52	7645.005	washer diam. 6	5
53	1760.032	bolt M 6 X 1 X 14	5
54	6927.341	muffler guard (EEC type)	1
55	6927.332	muffler guard (EEC type)	1
56	9730.210	screw M 5 X 0,8	4
57	«-----»	see Pos. A 12	0
58	2605.087	AIR CLEANER COVER	1
59	2175.134	air clean.cartridge	1
60	9761.001	screw M 4 X 0,7 X 12	2

**Group: 3LD**

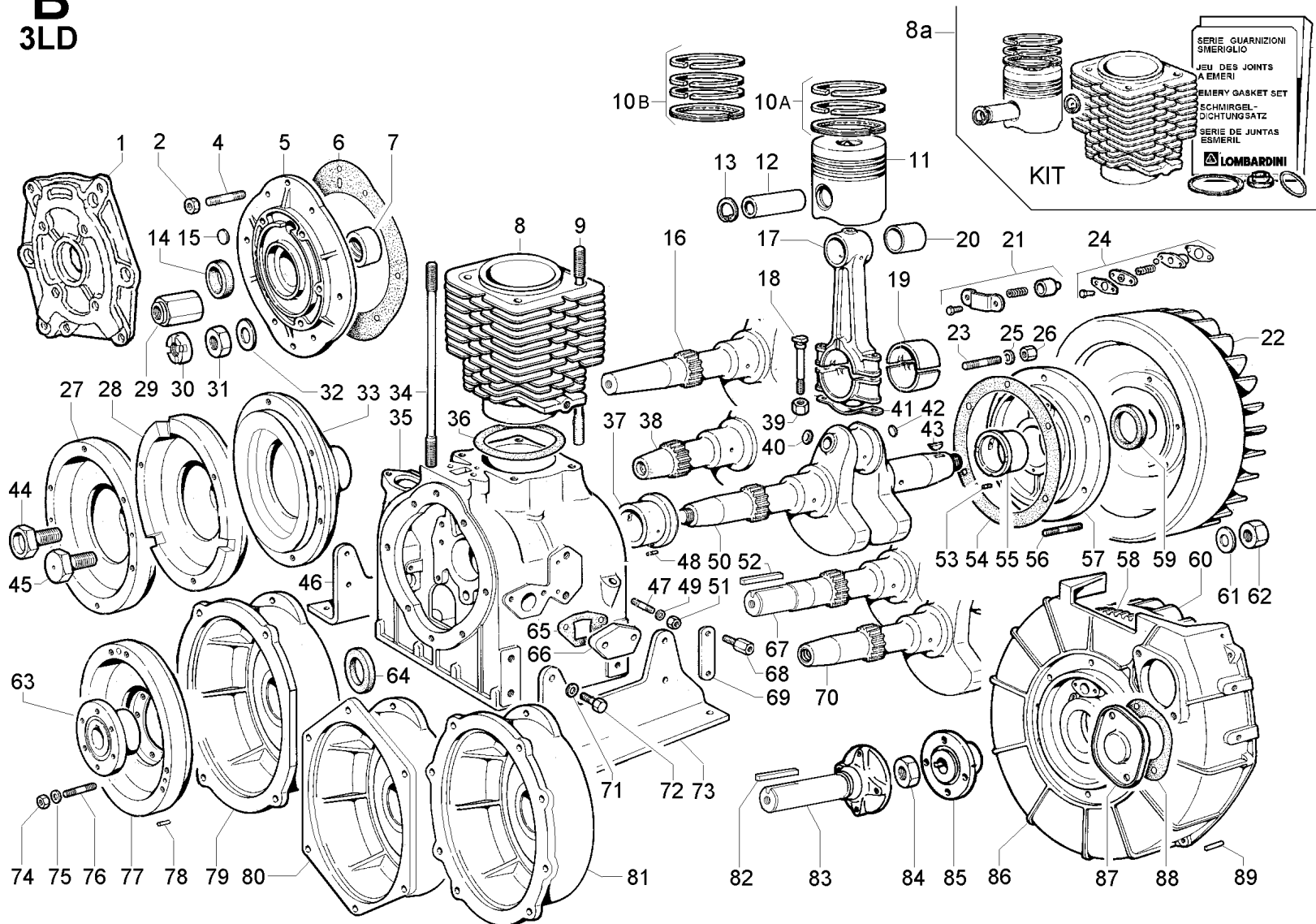
**Engine: 3LD 510 Drawing: A**

**INTAKE AND EXHAUST**

POS.	CODE	DESCRIPTION	Qty
61	8741.153	air cleaner support	1
62	5096.072	plate	1
63	4500.067	gasket	1



**B**  
3LD





Group: 3LD  
 Engine: 3LD 510 Drawing: B

CONN.ROD/PISTON/CYLINDER/CRANKSHAFT/FLYWHEEL/CRANKCASE/FLANGING/MOUNTS

POS.	CODE	DESCRIPTION	Qty
1	6260.017	flanging plate	1
2	3240.164	nut M 8	8
4	6780.075	stud M 8 X 21 (35)	8
5	6646.092	GEAR COVER	1
6	4600.001	gasket 0,40	1
7	1710.042	bearing std.	1
7	1710.049	bearing -1,00	1
8	2380.553	cylinder	1
8a	4898.002	kit cylinder-piston set-emery gasket set	1
9	6850.041	flywhell side stud	2
10	8211.009	ring set std. (3 grooves)	1
10	8211.010	ring set +0,50 (3 grooves)	1
10	8211.011	ring set +1,00 (3 grooves)	1
11	6501.073	PISTON SET std	1
11	6501.074	PISTON SET +0,50	1
11	6501.075	PISTON SET +1,00	1
12	8480.009	gudgeon pin	1
13	1240.019	snap ring	2
14	1213.060	seal ring 30x47x7	1
14	1213.203	sleek seal ring 30x47x6	1
15	9080.108	plug	1
16	1050.149	CRANKSHAFT Homelite mm 454	1
16	1050.361	CRANKSHAFT Ext 4 mm 450	1
16	1050.362	CRANKSHAFT Lincoln mm 454	1
17	1526.159	CONNECTING ROD with std large end bushing	1
18	1770.109	connecting rod bolt	2
18	1860.008	connecting rod bolt	2
19	1640.027	large end bushing std.	1
19	1640.028	big end bushing -0,25	1
19	1640.029	big end bushing -0,50	1
20	1630.007	small end bearing	1
21	9680.016	pressure oil valve	1
22	9880.504	flywhell	1
23	6780.009	stud M 8 X 21 (31)	1
24	«-----»	security valve	0
25	7555.029	washer diam. 8	6
26	3240.164	nut M 8	6
27	2052.040	clutch bell	1
28	2051.095	clutch bell	1
31	3260.014	nut M 16	1
32	5715.062	washer	1
33	2051.001	clutch bell	1
34	6850.025	gear side stud	2
35	1510.668	CRANKCASE	1
36	4410.064	gasket	1
37	1610.067	bearing -1,00 (gear side) - must be reamed after assembly	1
37	1611.221	bearing std. (gear side )	1
37	1611.222	bearing -0,25 (gear side)	1
37	1611.223	bearing -0,50 (gear side)	1
37	1611.224	bearing -0,75 (gear side)	1
38	1051.013	CRANKSHAFT mm 327 automotive	1
39	3240.170	nut	2
40	8990.002	plug	1

**Group: 3LD**  
**Engine: 3LD 510 Drawing: B**

**CONN.ROD/PISTON/CYLINDER/CRANKSHAFT/FLYWHEEL/CRANKCASE/FLANGING/MOUNTS**

POS.	CODE	DESCRIPTION	Qty
41	«-----»	plate	0
42	8990.002	plug	1
43	2280.056	crankshaft wooddruff key	1
44	1862.013	bolt (diam.int.= 30)	1
44	1862.058	bolt (diam.int.= 20)	1
46	6429.187	engine mount	1
47	6780.019	stud M 8 X 30 (42)	2
48	8430.055	tapper pin 4 X 12	1
49	7555.029	washer diam. 8	2
50	1051.005	CRANKSHAFT mm 368 industrial version	1
51	3240.018	nut M 8	2
52	2280.050	key 6,32 x 6,32 x 60	1
53	8430.055	tapper pin 4 X 12	1
54	4700.009	gasket 0,30	1
54	4700.077	gasket 0,10	1
55	1610.024	bearing -1,00 (flywheel side) - must be reamed after assembly	1
55	1611.217	bearing std. (flywheel side)	1
55	1611.218	bearing -0,25 (flywheel side)	1
55	1611.219	bearing -0,50 (flywheel side)	1
55	1611.220	bearing -0,75 (flywheel side)	1
56	6780.075	stud M 8 X 21 (35)	5
57	8676.098	crankshaft support	1
58	2816.038	crown gear	1
59	1210.076	seal ring std.	1
59	1210.084	seal ring -0,50	1
60	9880.547	FLYWHEEL with CROWN	1
60	9885.062	flywheel	1
61	7625.037	washer diam.21	1
62	3260.056	nut	1
63	5855.002	hub	1
64	1213.388	seal ring 55x72x10	1
65	4580.169	gasket 0,40	1
65	4580.170	gasket 0,80	1
66	6700.012	plate	1
67	1050.359	CRANKSHAFT SAE 4 mm 432	1
68	2501.025	hollowstud	1
69	«-----»	spacer	0
70	1050.360	CRANKSHAFT mm 356 (gen.sets)	1
71	7625.019	washer diam.10	8
72	1780.031	bolt M 10 X 1,5 X 25	8
73	6429.186	engine mount	1
77	2050.098	clutch bell	1
77	2050.099	clutch bell	1
78	8430.014	lockpin 6 X 16	3
79	2032.008	flanging bell d=195	1
80	2032.011	flanging bell	1
82	2280.050	key 6,32 x 6,32 x 60	1
83	6901.094	extension diam. 25,4	1
84	3260.014	nut M 16	1
85	3835.019	flange for extension	1
86	8675.102	CRANKSFHT SUPP.	1
89	8460.083	lockpin	1

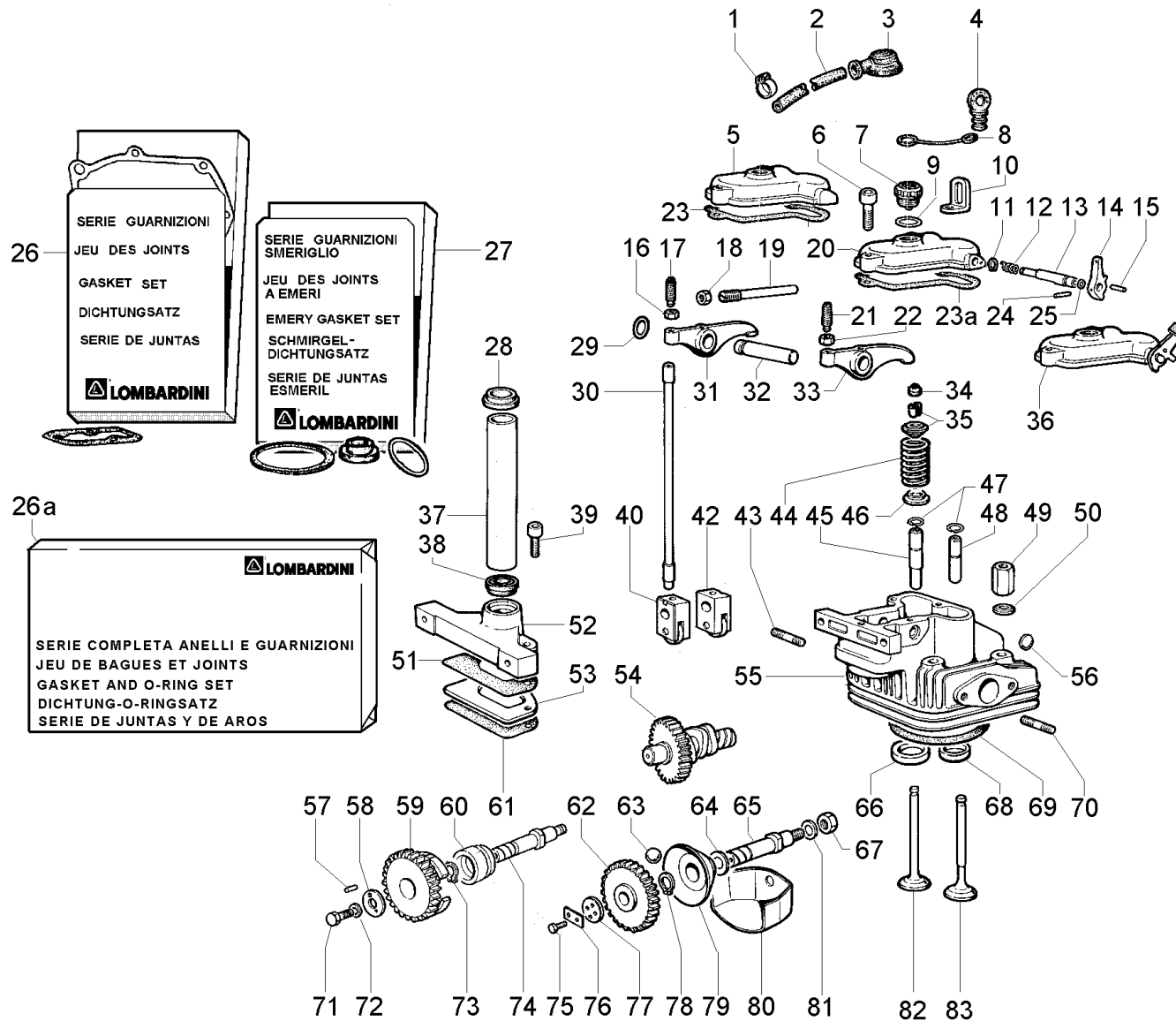
**Additional Info - Engine: 3LD 510 Drawing: B**

**CONN.ROD/PISTON/CYLINDER/CRANKSHAFT/FLYWHEEL/CRANKCASE/FLANGING/MOUNTS**

Pos.	Old part	Serv.Lett.	Notes	S.No/Date
B 8	2380.083	30011	-	3453471
B 8a	4898.001	30011	-	3453471
B 10	8210.055	30011	-	3443513
B 10	8210.056	30011	-	3443513
B 10	8210.057	30011	-	3443513
B 21	9680.015	1058	-	2451355
B 22	9882.040	1048	-	1972593
	9882.040	1081	-	3053837
B 24	9680.010	1044	- fitted until shown engine s.no	2319295
B 35	1511.089	30013	-	3470667
B 36	4410.031	1052	-	2357618
	4410.032	1052	-	2357618
B 39	3240.017	1057	-	01.1984
B 41	6330.012	1057	- fitted until shown date	01.1984
B 42	8990.006	1053	-	07.1983
B 48	8460.054	1040	-	1953272
B 53	8460.054	1040	-	1953272
B 57	8676.078	1058	-	2451355
B 58	2816.024	1047	-	1953272
B 86	8590.024	1059	Pos. 21-55(std)-59-86-89 -	2451384



**C**  
**3LD**





Group: 3LD  
 Engine: 3LD 510 Drawing: C

**CYLINDER HEAD/ROCKER ARM BOX/VALVES/TIMING/SPEED GOVERNOR**

POS.	CODE	DESCRIPTION	Qty
1	3617.022	clamp	1
2	9600.064	hose	1
3	2145.003	cap	1
4	«-----»	starter cap	0
5	2125.166	rocker arm cover	1
6	9732.063	screw M 8 X 35	2
7	9050.029	BREATHER CAP	1
7	9050.050	BREATHER CAP	1
8	«-----»	safety wire	0
9	1200.014	O ring	1
10	8506.003	engine lifting eye	1
11	1165.004	circlip diam. 5	1
12	5680.024	lever recovery spring	1
13	1110.053	compression shaft	1
14	5270.078	compression lever	1
15	8430.023	lockpin 3 X 16	1
16	3240.010	nut M 7	1
17	9850.002	rocker arm adjuster	1
18	3240.008	nut M 6	1
19	9820.075	screw	1
20	2125.193	ROCKER ARM COVER FOR COMPR.RELEASE	1
21	9850.002	rocker arm adjuster	1
22	3240.010	nut M 7	1
23	4400.012	gasket 0,50	1
23a	4400.014	gasket 0,25 for cover fitted for compression	1
24	8430.023	lockpin 3 X 16	1
25	1200.034	O ring 105	1
26	«-----»	GASKET SET - see Pos. C 26a	0
26a	8205.081	RING AND GASKET COMPLETE SET	1
27	8185.001	EMERY GASKET SET	1
28	4740.017	gasket	1
29	1200.026	rubber oil seal	1
30	1410.012	push rod	2
31	4330.021	ROCKER ARM ASS.Y	1
32	6045.025	rocker arm shaft	1
33	«-----»	see Pos. 31	0
34	2135.068	valve cap	1
35	6410.017	retainer with half-collets	2
36	2125.324	rocker arm cover with compr.for rewind	1
37	9520.039	guard tube	1
38	4740.017	gasket	1
39	9730.100	screw M 8 X 25	2
40	4887.003	gear side tappet	1
42	4887.004	flywh. side tappet	1
43	6780.010	stud M 8 X 22 (34)	2
43	6780.052	stud M 8 X 18 (28)	2
44	5755.005	valve spring	2
45	4845.154	inlet v.guide std.	1
45	4845.155	inlet v.guide +0,50	1
46	6410.038	retainer	2
47	1160.014	circlip	2
48	«-----»	exhaust v.guide +0,50	0
48	4845.156	exhaust v.guide std.	1

**Group: 3LD**  
**Engine: 3LD 510 Drawing: C**

**CYLINDER HEAD/ROCKER ARM BOX/VALVES/TIMING/SPEED GOVERNOR**

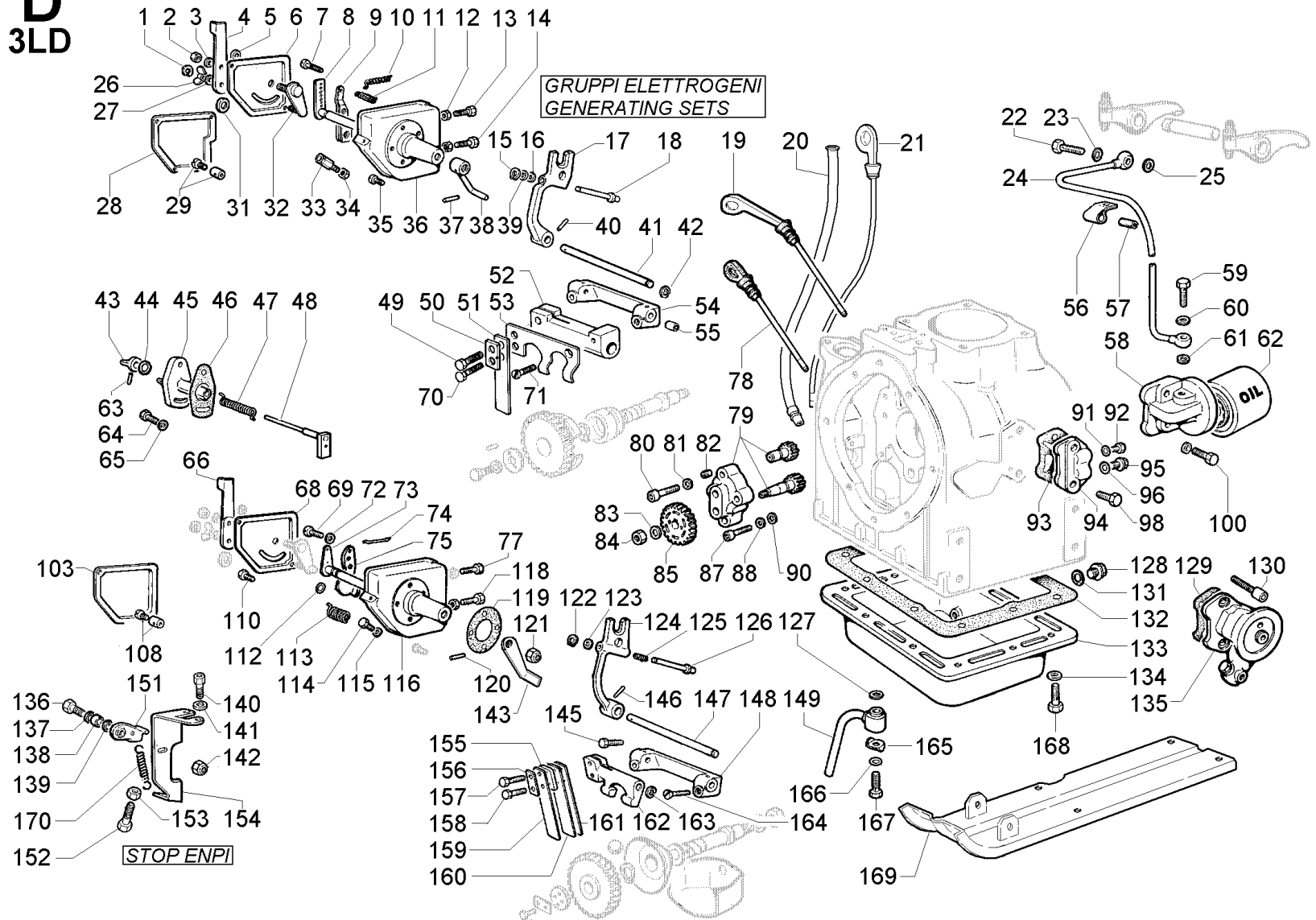
POS.	CODE	DESCRIPTION	Qty
49	3240.124	nut	4
50	7625.196	washer diam.10,5	4
51	4535.012	gasket	1
52	4840.010	guide	1
53	«-----»	tabwasher	0
54	1010.060	camshaft	1
55	9200.087	CYLINDER HEAD	1
55	9200.088	CYLIND.HEAD	1
56	8990.017	plug	1
61	«-----»	gasket	0
62	4936.168	gear	1
63	8245.011	ball	6
64	7700.069	washer	1
65	6130.016	shaft	1
66	8000.036	inlet v.seat	1
67	3240.033	nut M 10	1
68	8000.037	exhaust v.seat	1
69	4730.117	head gasket 0.60	1
69	4730.118	head gasket 0.70	1
69	4730.119	head gasket 0.80	1
69	4730.120	head gasket 0.90	1
69	4730.121	head gasket 1,00	1
70	6780.069	stud M 8 X 25 (37)	2
75	1750.035	bolt M 4 X 0,7 X 12	2
76	6275.038	plate	1
77	6370.428	safety plate	1
78	1240.006	snap ring	1
79	2085.029	governor bell	1
80	6927.004	guard	1
81	7625.019	washer diam.10	1
82	9652.017	intake valve	1
83	9685.027	exhaust valve	1

**Additional Info - Engine: 3LD 510 Drawing: C**

**CYLINDER HEAD/ROCKER ARM BOX/VALVES/TIMING/SPEED GOVERNOR**

Pos.	Old part	Serv.Lett.	Notes	S.No/Date
C 4	9055.003	1080	- fitted until shown engine s.no	3012845
C 5	2125.082	1080	-	3012845
C 6	9730.027	596	-	1924706
C 8	3695.038	1080	- fitted until shown engine s.no	3012845
C 10	4260.004	596	-	1924706
C 20	2125.088	1080	Pos. 11-12-13-14-15-20-24-25 -	3012845
C 26	8180.033	D091	Pos.A12-A20-B 6-B 36-B54-B65-C23-C51-C69-D46-D93-D119-D132-E111 -	03.2002
C 26a		D091	Pos.A12-A20-B 6-B36-B54-B65-C23-C29-C34-C51-C69-D23-D46-D93-D119-D132-E41-E87-E111E132-E133 -	03.2002
C 36		30016	- starting from shown engine s.no	3863408
C 52	4840.007	1078	-	3033299
C 53	5168.018	1078	- fitted until shown engine s.no	3033298
C 61	4535.012	1078	- fitted until shown engine s.no	3033298
C 69		1052	- starting from shown engine s.no	2357618
C 69		1052	- starting from shown engine s.no	2357618
C 69		1052	- starting from shown engine s.no	2357618
C 69		1052	- starting from shown engine s.no	2357618
C 69		1052	- starting from shown engine s.no	2357618

**D**  
**3LD**



CONTROLS/LUBRICATING SYSTEM

POS.	CODE	DESCRIPTION	Qty
1	1165.001	circlip	1
2	3240.004	nut M 5	1
3	6330.057	safety plate	1
4	5200.159	lever	1
5	7625.019	washer diam.10	1
6	2690.118	ACCELER.CONTROL (generating sets)	1
7	9820.086	screw	1
8	«-----»	see Pos. 38	0
9	5200.126	lever	1
10	5550.017	control spring	1
11	5680.092	spring	1
12	3240.008	nut M 6	2
13	1760.027	bolt M 6 X 1 X 40	1
15	1165.001	circlip	1
16	«-----»	washer diam. 3 - no longer avail.	1
18	6231.038	pin	1
19	1400.393	extended dipstick	1
20	9330.016	dipstick guard (gear side f.tank)	1
20	9330.017	dipstick guard (gear side f.tank)	1
21	1400.063	dipstick on cyl.head	1
22	9730.109	screw M 6 X 16	1
23	4670.062	copper gasket diam. 6,2 X 10 X 1,5	1
24	9455.038	lubricating pipe	1
25	4670.062	copper gasket diam. 6,2 X 10 X 1,5	1
26	3200.015	wing nut	1
27	7626.054	washer diam. 5,3	1
28	2690.107	remote control cover	1
29	5830.119	nut	1
31	7626.054	washer diam. 5,3	1
32	6370.114	plate	1
33	9180.192	cable end	1
34	3240.019	nut M 8 alpha brass	1
35	9800.061	screw M 6 X 16	3
36	2516.087	ACC.CONTR.HOUSING (generating sets)	1
37	8420.012	locking needle	1
38	5201.107	counter lever (gen.sets)	1
39	7625.089	washer diam. 3,2	1
40	8420.012	locking needle	1
41	6140.013	pin	1
42	1165.006	circlip diam. 7	1
43	«-----»	see Pos. 48	0
44	1200.041	O ring 103/2018	1
45	«-----»	see Pos. 48	0
46	4700.070	gasket 0,25	1
47	5550.007	spring	1
48	2516.045	FUEL DEVICE CONTROL	1
49	1755.004	bolt M 5 X 0,8 X 18	1
50	6330.061	safety plate	1
51	«-----»	see Pos. D 52	0
52	4882.026	YOKE ASS.Y (generating sets)	1
53	5204.025	lever	1
54	«-----»	see Pos. 52	0
55	3030.051	ball bearing	2

**Group: 3LD**  
**Engine: 3LD 510 Drawing: D**

**CONTROLS/LUBRICATING SYSTEM**

POS.	CODE	DESCRIPTION	Qty
56	3630.037	clamp diam.24-36	1
57	5401.011	rubber sheathing	1
58	3740.024	EXTERNAL OIL FILTER	1
59	1901.054	union bolt	1
60	4670.058	copper gasket diam. 8	1
62	2175.028	oil filter cartridge	1
63	8420.001	locking needle	1
64	1760.005	bolt M 6 X 1 X 16	2
65	7625.059	washer diam. 6,4	2
66	5200.159	lever	1
68	2515.098	ACCELER. CONTROL	1
68	2690.122	cover	1
69	9820.109	fixing screw	1
70	1755.002	bolt M 5 X 0,8 X 12	1
71	«-----»	screw M 4 X 14	0
72	7625.007	washer diam. 6	1
73	«-----»	see Pos. 143	0
74	9245.165	tie rod	1
75	5200.254	lever	1
77	1760.029	bolt M 6 X 1 X 30	1
78	1400.363	dipstick	1
79	«-----»	oil pump ass.y	0
79	4336.023	lub.oil pump (engine with feed pump)	1
80	9730.030	screw M 8 X 35	2
81	7625.010	washer diam. 8	2
82	9765.001	screw M 6 X 8	1
83	7625.010	washer diam. 8	1
84	3203.014	nut	1
85	4975.018	gear	1
87	9732.016	screw M 6 X 40	1
88	7565.004	washer diam. 6	2
90	7625.007	washer diam. 6	1
91	4670.058	copper gasket diam. 8	1
92	1770.001	bolt M 8 X 1,25 X 12	1
93	4730.021	gasket	1
94	3901.027	oil flange	1
95	8965.003	plug M 10	1
96	4670.060	copper gasket diam.12	1
98	9732.064	screw M 8 X 30	2
100	9730.100	screw M 8 X 25	2
103	2515.099	ACCELER. CONTROL	1
108	5830.119	nut	1
110	9790.037	screw M 6 X 8	2
112	1200.041	O ring 103/2018	1
113	5680.025	spring	1
114	1770.042	bolt M 8 X 1,25 X 10	1
115	7555.029	washer diam. 8	1
116	7865.111	control housing	1
118	1760.029	bolt M 6 X 1 X 30	1
119	4700.069	gasket	1
120	«-----»	lockpin	0
121	3203.050	selflocking nut M 6	1
122	1165.001	circlip	1

**Group: 3LD**  
**Engine: 3LD 510 Drawing: D**

**CONTROLS/LUBRICATING SYSTEM**

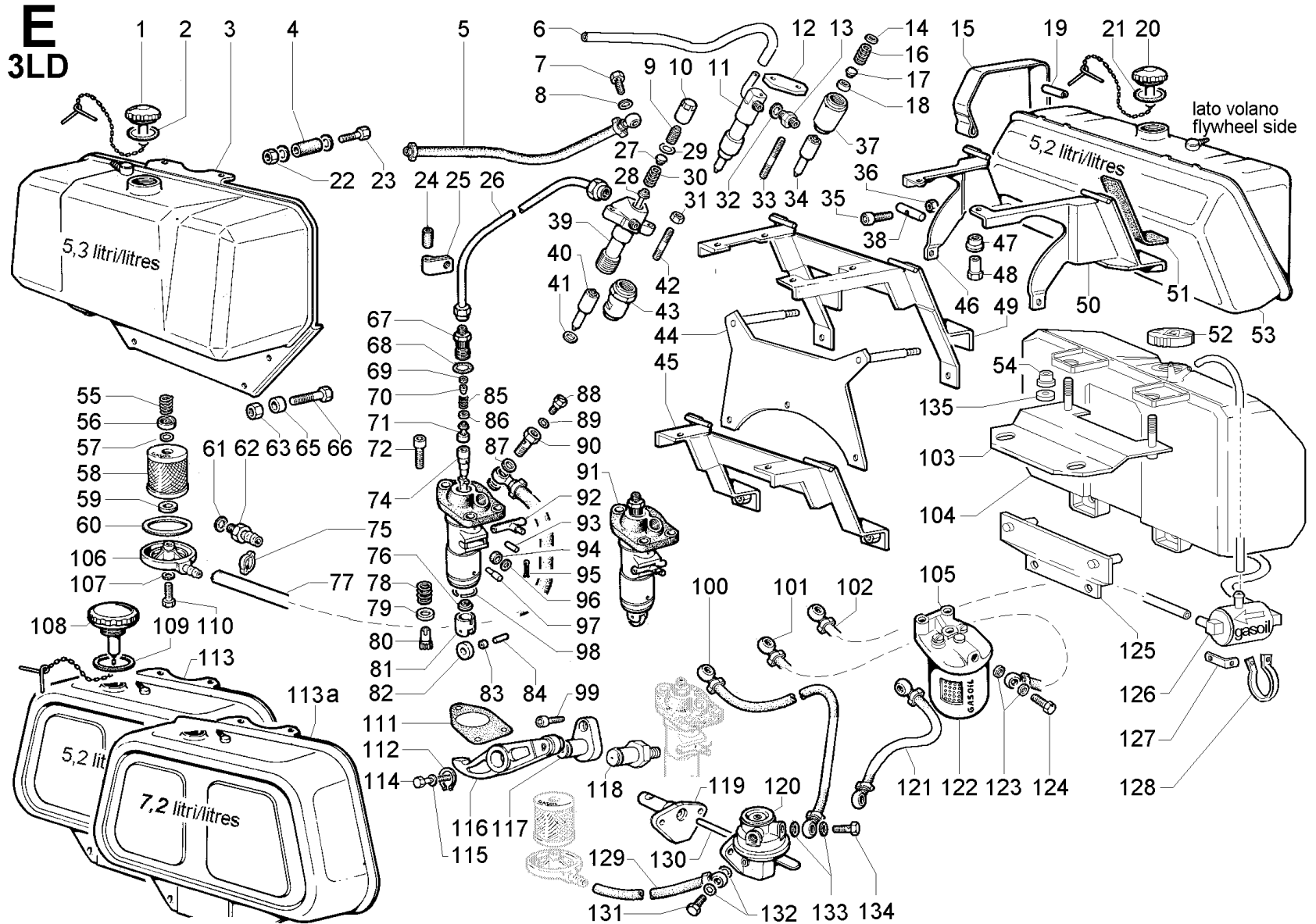
POS.	CODE	DESCRIPTION	Qty
123	«-----»	washer diam. 3,25 - see Pos. D 148	1
125	5800.088	spring	1
126	6231.038	pin	1
127	4670.036	copper gasket	1
128	8965.032	oil drain plug M 12	1
129	4730.021	gasket	1
130	9732.092	screw M 8 X 18	2
131	4670.013	copper gasket diam.10	1
132	4600.090	gasket	1
133	6647.057	OIL PAN	1
134	7625.010	washer diam. 8	12
135	3902.044	washer	1
136	1760.006	bolt M 6 X 1 X 20	1
137	7625.059	washer diam. 6,4	1
138	3500.021	spacer	1
139	7625.059	washer diam. 6,4	1
140	9180.192	cable end	1
141	7625.061	washer diam. 8,4	2
142	3203.021	nut M 6	1
143	«-----»	LEVER ASS.Y	0
145	9730.312	screw M 6 X 35	1
146	8420.012	locking needle	1
147	6140.013	pin	1
148	4882.048	YOKE ASS.Y	1
148	8615.103	support	1
149	9320.082	pipe	1
151	5204.084	control lever	1
152	9180.191	adjuster M 6	1
153	3240.009	nut M 6	1
154	8785.054	lever support	1
155	1557.021	retainer	1
156	6330.061	safety plate	1
157	1755.004	bolt M 5 X 0,8 X 18	1
158	1755.002	bolt M 5 X 0,8 X 12	1
159	5655.005	spring	1
161	«-----»	spring	0
163	1165.006	circlip diam. 7	1
164	9800.082	screw M 6 X 35	1
165	5111.075	tabwasher	1
166	4670.036	copper gasket	1
167	1901.046	union bolt M 10	1
168	1770.002	bolt M 8 X 1,25 X 16	12
169	6010.076	guard pad	1
170	5725.034	control stop spring (ENPI)	1



**Additional Info - Engine: 3LD 510 Drawing: D**

**CONTROLS/LUBRICATING SYSTEM**

Pos.	Old part	Serv.Lett.	Notes	S.No/Date
D 4	5200.088	1043	-	2269524
D 27	771R.001	1043	-	2269524
D 31		1043	- starting from shown engine s.no	2269524
D 32	6140.071	1043	-	2269524
D 38	5200.292	30010	-	3401701
D 66	5200.088	1043	-	2269524
D 68	2690.043	1043	Pos. 1-2-3-5-27-31-32-35-66-68-69-72-73-74-75-77-110-112-113-114-115-116-118-121-143 -	2269524
	2515.029	30014	Pos. 1-2-3-5-27-31-32-35-66-68-69-72-73-74-75-77-110-112-113-114-115-116-118-121-143 -	3528681
D 69	9820.073	1060	-	2498185
D 74	9245.031	30014	-	3528681
D 75	5200.086	1060	-	2498185
D 77	1760.082	1060	-	2498185
D103	2515.027	30014	Pos.12-33-34-69-72-73-74-75-77-103-108-110-112-113-116-121-143 - to supersede the old type must be supplied 2690.042 and 7865.111	3528681
D116	7865.018	1060	-	2498185
D120	8420.012	30010	- fitted until shown engine s.no	3408147
D121		30010	- starting from shown engine s.no	3401701
D143	5200.292	30010	Pos. 73-121-143 -	3401701
D148	4882.039	30014	Pos. 122-123-124-125-126-146-147-148-155-156-157-158-159-160 -	3528681
D149	7300.069	1049	-	2377816
D161	5655.005	30014	- fitted until shown engine s.no	3528681
D165	5111.008	1049	-	2377816
D166	1200.034	1049	-	2377816
D167	1861.086	1049	-	2377816



FUEL SYSTEM

POS.	CODE	DESCRIPTION	Qty
1	9043.037	FUEL TANK CAP	1
2	1200.015	O ring 137 for filler oil cap	1
3	8103.054	fuel tank 1.5,2	1
4	9135.011	cushion	2
5	«-----»	bleeding pipe	0
6	9571.204	bleeding pipe mm 330	1
7	«-----»	union bolt	0
11	4896.249	NOZZLE-HOLDER ASS.Y	1
11	6615.084	nozzle-holder	1
12	3790.070	flange	1
13	7301.155	union	1
14	8335.193	spacer	0
15	«-----»	clamp	0
16	5801.545	spring	1
17	8010.008	seat	1
18	6410.106	cup	1
19	9600.057	rubber spacer	2
20	«-----»	fuel tank cap	0
22	3240.021	nut M 8	2
23	1770.031	bolt M 8 X 1,25 X 50	2
24	5400.046	rubber sheathing	1
25	3617.016	clamp	1
26	9370.010	high press.pipe	1
27	«-----»	seat	0
31	3240.163	nut M 8	2
32	«-----»	gasket - no longer available	0
33	6780.164	stud M 8 X 55	2
34	6531.425	nozzle	1
35	9732.016	screw M 6 X 40	2
36	3240.008	nut M 6	2
37	4130.115	locking nut	1
38	1557.019	drilled block	2
39	«-----»	superseded by Pos. E 11 (4896.249)	0
41	4670.005	copper gasket 0,50	1
41	4670.006	copper gasket 1,00	1
42	«-----»	stud	0
49	8865.181	tank support for dipstick on head	1
50	«-----»	spring	0
51	8315.016	rubber spacer	2
52	9043.096	fuel tank cap std.	1
53	«-----»	fuel tank	0
54	3527.476	spacer	2
55	5575.006	spring	1
56	3930.019	cup	1
57	1200.268	rubber oil seal	1
58	2175.009	fuel filter cartridge	1
58	3730.015	FUEL FILTER	1
59	4490.017	gasket	1
60	4430.071	gasket	1
61	«-----»	copper gasket diam. 8	0
63	3240.163	nut M 8	2
65	3525.092	spacer	2
66	1770.007	bolt M 8 X 1,25 X 30	2

**Group: 3LD**  
**Engine: 3LD 510 Drawing: E**

<b>FUEL SYSTEM</b>			
<b>POS.</b>	<b>CODE</b>	<b>DESCRIPTION</b>	<b>Qty</b>
66	1770.031	bolt M 8 X 1,25 X 50	2
67	7265.008	connection	1
68	1200.031	rubber oil seal	1
69	8335.029	washer seal	1
70	7470.003	filler	1
71	9672.013	delivery valve	1
72	9732.074	screw M 8 X 20	3
74	6578.013	Injection plunger	1
74	6578.205	plunger for rewind starting	1
75	3630.008	clamp	1
76	6400.024	spring retainer bottom	1
77	«-----»	fuel hose	0
77	9375.274	hose from gear side tank to inj.pump (mm 142)	1
78	5625.002	spring	1
79	7980.020	cup	1
80	4850.009	guide	1
81	7215.017	tappet	1
82	«-----»	no longer available	0
84	6230.068	pin	1
85	5755.034	valve spring	1
86	4760.015	valve gasket	1
87	4670.060	copper gasket diam.12	2
88	1901.171	deaeration plug	1
89	4775.196	gasket	1
90	1901.031	union bolt M 12	1
91	6590.263	injection pump	1
92	«-----»	no longer available	0
94	1580.016	bushing	1
95	2800.003	cotter pin	1
96	7626.017	washer diam. 5,3	1
97	6230.069	pin	1
98	«-----»	ring	0
100	9373.005	fuel hose	1
101	9375.032	fuel hose mm 330	1
102	«-----»	fuel hose no longer avail.	0
103	8545.595	tank support	1
104	8103.269	fuel tank	1
105	3730.036	FUEL FILTER	1
106	2605.033	filter cover	1
107	1202.052	rubber oil seal	1
108	9043.025	FUEL TANK CAP	1
109	4650.056	gasket	1
110	1760.076	bolt	1
111	4580.001	gasket 0,10	1
111	4580.008	gasket 0,50	1
111	4580.012	gasket 0,30	1
111	4580.039	gasket 0,05	1
112	1240.013	snap ring	1
113	8102.093	fuel tank 1.5,2	1
114	«-----»	bolt M 8 X 1,25 X 55	0
116	4330.025	inj.pump rocker arm	1
117	«-----»	inj.rocker arm shaft	0
118	6045.073	rocker shaft	1

**Group: 3LD**  
**Engine: 3LD 510 Drawing: E**

**FUEL SYSTEM**

POS.	CODE	DESCRIPTION	Qty
119	8901.080	pump support	1
120	6585.031	feed pump	1
121	9373.043	fuel hose(mm 635)	1
122	2175.045	fuel filter cartridge	1
123	4670.061	copper gasket diam.14	4
124	1901.032	union bolt M 14	2
125	8545.596	tank support	1
126	3730.096	fuel filter	1
127	8505.100	bracket	1
128	3617.197	fuel filter clamp	1
129	9375.856	fuel hose mm 1030	1
130	6495.023	drive rod	1
131	1901.030	union bolt M 10	1
132	4670.059	copper gasket diam.10	2
134	1901.030	union bolt M 10	1
135	7701.154	rubber washer	8

**Additional Info - Engine: 3LD 510 Drawing: E**

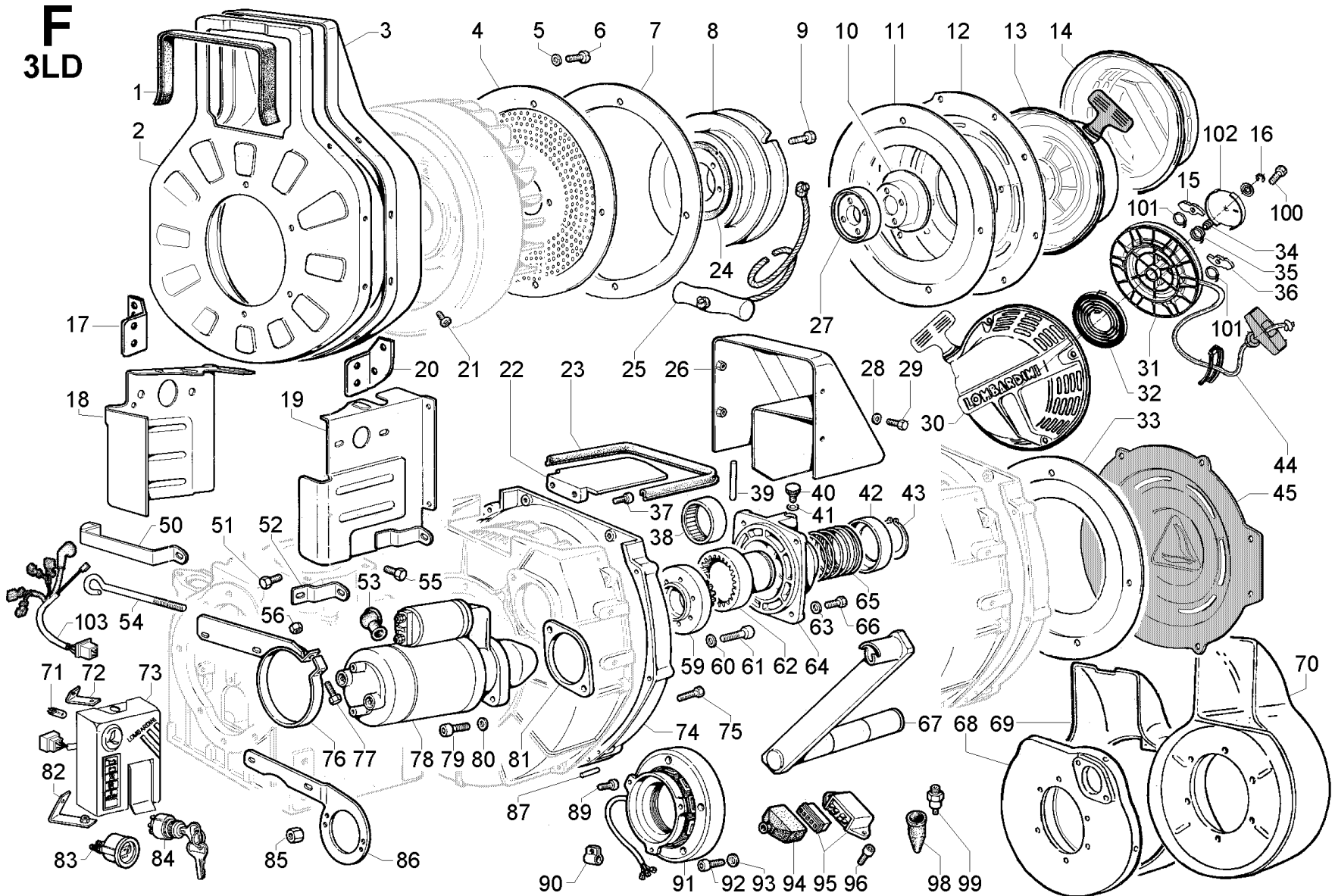
**FUEL SYSTEM**

Pos.	Old part	Serv.Lett.	Notes	S.No/Date
E 3	8101.020	1054	-	07.1983
E 5	9570.080	30009	- fitted until shown engine s.no	3424247
E 6		30009	- starting from shown engine s.no	3424248
E 7	1901.033	30009	- fitted until shown engine s.no	3424247
E 8	4670.062	30009	- fitted until shown engine s.no	3424247
E 9	1570.018	30009	- fitted until shown engine s.no	3424247
E 10	4130.058	30009	- fitted until shown engine s.no	3424247
E 11		30009	Pos. 6-11-12-33 - starting from shown engine s.no	3424248
E 11		30009	- starting from shown engine s.no	3424248
E 12		30009	- starting from shown engine s.no	3424248
E 15	3617.031	30020	- fitted until shown engine s.no	4252080
E 16		30009	- starting from shown engine s.no	3424248
E 17		30009	- starting from shown engine s.no	3424248
E 18		30009	- starting from shown engine s.no	3424248
E 20	9043.037	30020	- fitted until shown engine s.no	4252080
E 21	1200.015	30020	- fitted until shown engine s.no	4252080
E 27	8010.005	30009	- fitted until shown engine s.no	3424247
E 28	1420.023	30009	- fitted until shown engine s.no	3424247
E 29	4370.015	30009	- fitted until shown engine s.no	3424247
E 30	5800.065	30009	- fitted until shown engine s.no	3424247
E 33		30009	- starting from shown engine s.no	3424248
E 34		30009	- starting from shown engine s.no	3424248
E 37		30009	- starting from shown engine s.no	3424248
E 39	6615.013	30009	-	3424247
E 40	6531.265	30009	- fitted until shown engine s.no	3424247
E 42	6780.018	30009	- fitted until shown engine s.no	3424247
E 43	4130.060	30009	- fitted until shown engine s.no	3424247
E 45		30012	- starting from shown engine s.no	3460383
	8865.186	30020	- fitted until shown engine s.no	4252080
	8865.187	30020	- superseded by 8865.181 (Pos. E 49)	4252080
E 46	5500.053	30012	- fitted until shown engine s.no	3460382
E 47	1185.036	30012	- fitted until shown engine s.no	3460382
E 48	3206.043	30012	- fitted until shown engine s.no	3460382
E 50	5500.054	30012	- fitted until shown engine s.no (for oil dipstick on head)	3460382
	5500.052	30012	- fitted until shown engine s.no	3460382
E 51	8315.027	30012	-	3460683
E 52		30020	- starting from shown engine s.no	4252081
E 53	8101.066	30020	- fitted until shown engine s.no	4252081
E 54		30020	- starting from shown engine s.no	4252081
E 61	4670.058	1067	- fitted until shown date	06.1986
E 62	7300.057	1067	- fitted until shown date	06.1986
E 74		30016	- starting from shown engine s.no	3863408
E 77	9375.284	30020	- fitted until shown engine s.no (for flywheel side tank)	4252081
E 91	6590.033	30023	- fitted starting on engine with rewind starter and then used as std	4377931
		30016	- starting from shown engine s.no on engine with rewind starter and then used as std	3863408
E 99	9732.092	30013	- fitted until shown engine s.no	3470667
E102		30020	- starting from shown engine s.no	4252081
E103		30020		

**Additional Info - Engine: 3LD 510 Drawing: E**

**FUEL SYSTEM**

Pos.	Old part	Serv.Lett.	Notes	S.No/Date
			- starting from shown engine s.no	4252081
E104		30020	- starting from shown engine s.no	4252081
E107	4670.001	5007	-	1991223
E110	1760.006	5007	-	1991223
E113	8102.028	1032	-	1425580
E114	1770.015	30013	- fitted until shown engine s.no	3470667
E115	7565.007	30013	- fitted until shown engine s.no	3470667
E117	6045.009	30013	- fitted until shown engine s.no	3470667
E118		30013	- starting from shown engine s.no	3470667
E125		30020	- starting from shown engine s.no	4252081
E126		30020	- starting from shown engine s.no	4252081
E127		30020	- starting from shown engine s.no	4252081
E128		30020	- starting from shown engine s.no	4252081
E135		30020	- starting from shown engine s.no	4252081







Group: 3LD  
 Engine: 3LD 510 Drawing: F

**COOLING SYSTEM/STARTING**

POS.	CODE	DESCRIPTION	Qty
1	4570.013	gasket	1
2	6370.326	plate	1
3	«-----»	shroud for mtcultiv.Pasquali 917 (no longer avail.)	0
3	2569.616	shroud ( std and for rewind start)	1
3	2569.639	shroud with hood connectors (also for rewind start.)	1
4	5096.019	guard panel	1
5	7540.006	washer diam. 8	4
6	9790.141	screw M 8 X 12	4
8	6961.029	pulley 1 groove (right rotation)	1
8	6961.031	for hydr.pm	1
8	6961.039	pulley (min.dimensions type h=36)	1
8	6961.048	start pulley	1
9	1770.014	bolt M 8 X 45	3
10	7980.067	cup	1
11	5096.079	guard panel (int.diam=170)	1
12	5145.043	rewind fixing plate	1
13	1472.034	rewind starting	1
14	7951.173	guard housing	1
15	5025.097	tooth	1
16	«-----»	circlip	0
17	5111.117	plate	1
18	5066.246	airtight plate inlet side	1
18	5066.248	shroud plate for el.-hand starting	1
19	5066.245	airtight plate exhaust side	1
19	5066.247	shroud plate for el.-hand starting	1
20	5111.116	plate	1
21	9865.122	screw M 6 X 12	8
22	3350.062	deflector for electr.starting	1
22	3350.074	deflector for hand starting	1
23	4570.014	gasket (el.st.arting)	1
23	4570.015	gasket (hand starting)	1
24	1301.096	spacer 75 X 84 X 3	1
24	1301.280	spacer 74 X 97 X 3	1
25	4055.045	rope starting	1
26	2920.078	shroud hood	1
26	2920.085	shroud plate for hand starting	1
27	3527.416	spacer	1
28	7500.018	washer	4
29	1760.001	bolt M 6 X 1 X 10	4
30	«-----»	see Pos. 13	0
31	7100.377	recoil pulley	1
32	5801.539	spiral spring	1
33	5096.079	guard panel (int.diam=170)	1
34	5590.026	thrust spring	1
35	5660.066	recovery spring	1
36	5025.097	tooth	1
37	9730.010	screw M 6 X 16	2
38	1585.058	ball bearing	1
39	8430.019	lockpin	1
40	8965.031	grease plug	1
41	1202.016	O ring 109	1
42	7980.045	cup	1
43	1240.041	circlip	1

**Group: 3LD**  
**Engine: 3LD 510 Drawing: F**

**COOLING SYSTEM/STARTING**

POS.	CODE	DESCRIPTION	Qty
44	4904.038	handle ass.y	1
45	6927.227	flywheel guard	1
50	8545.442	bracket	1
51	«-----»	screw M 6 X 1 X 12	0
53	6491.005	pipe elbow	1
54	«-----»	brace	0
56	3203.047	nut M 8	1
59	6480.061	pinion	1
60	7565.007	washer diam. 8	3
61	9730.032	screw M 8 X 45	3
62	4970.017	gear	1
63	7625.010	washer diam. 8	4
64	7885.028	gear housing	1
65	5801.027	spring	1
66	1770.005	bolt M 8 X 1,25 X 22	4
67	5455.006	hand-crank	1
68	«-----»	plate	0
71	5175.162	lamp 12V	2
72	8490.084	bracket	1
73	7245.168	remote dash board	1
73	7245.169	dashboard 2 warning lights	1
74	2568.067	shroud (el.start.)	1
74	2569.010	shroud (hand st.)	1
75	9730.027	screw M 8 X 25	6
76	«-----»	brace	0
77	1770.009	bolt M 8 X 1,25 X 35	1
78	5840.142	starting motor	1
79	9730.045	screw M 10 X 30	2
80	7565.011	washer diam.10	2
81	8335.073	spacer	1
82	8505.085	angle bracket	1
83	5450.009	oil manometer	1
84	5041.020	key switch	1
87	8460.083	lockpin	1
89	9730.010	screw M 6 X 16	3
90	3617.015	clamp	1
91	1157.153	volt.alternator 12V 12A - 3 wires	1
92	9730.015	screw M 6 X 30	5
93	7565.004	washer diam. 6	5
94	2145.014	regulator cap	1
95	7362.228	voltage regulator. 12V 14/21A-6 contacts for alternator 3 wires	1
95	7362.232	light.alt.regul.-5 contacts for alt. 3 wires	1
96	9732.092	screw M 8 X 18	2
98	6491.013	pipe elbow	1
99	6745.050	oil switch 0,3 bar (M 12)	1
100	9730.340	screw M 5 X 10	1
101	«-----»	tooth recovery spring	0
102	7980.063	cup	1
103	2185.553	engine wires	1

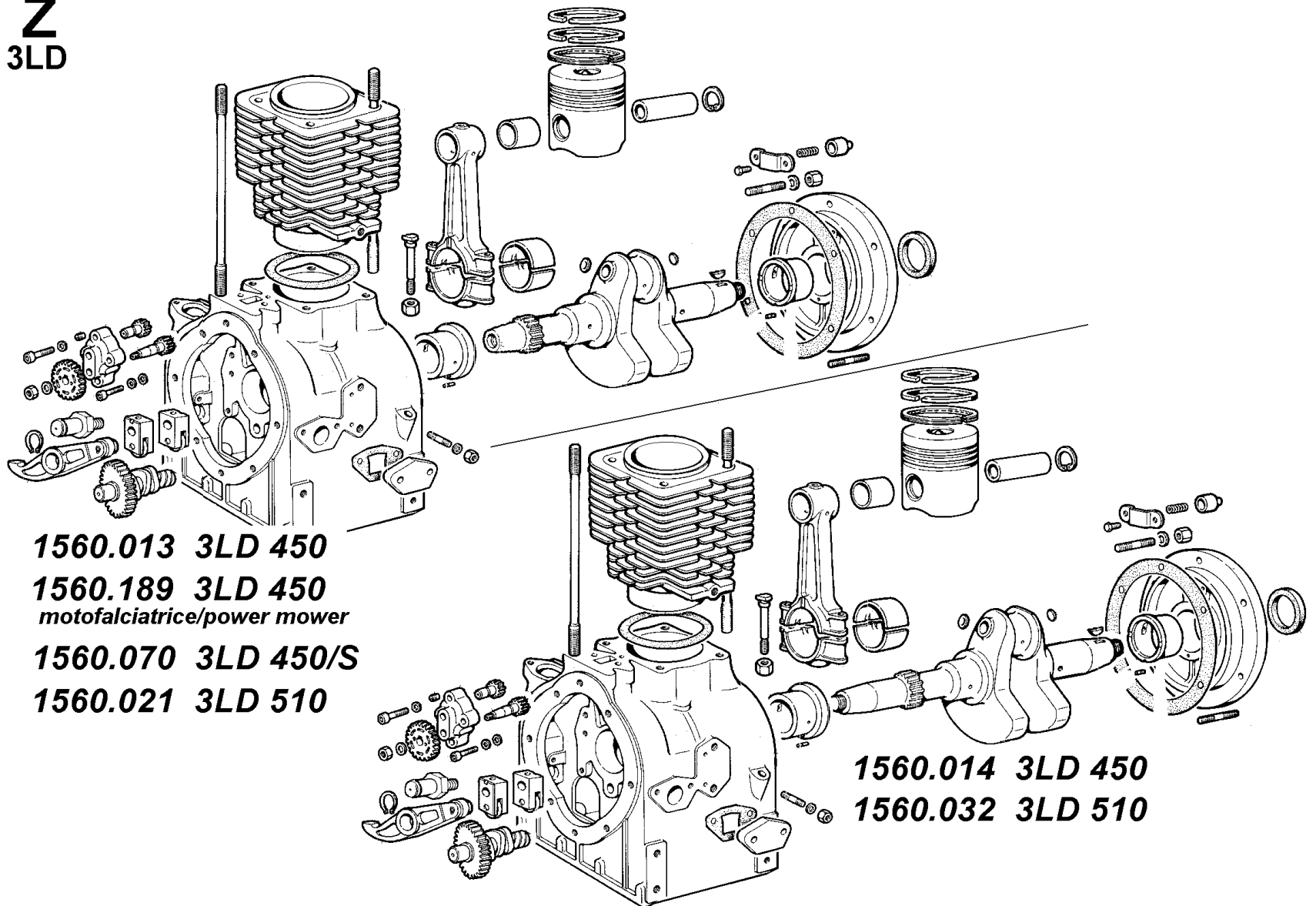
**Additional Info - Engine: 3LD 510 Drawing: F**

**COOLING SYSTEM/STARTING**

Pos.	Old part	Serv.Lett.	Notes	S.No/Date
F 2		1048	- starting from shown engine s.no	1953272
F 3		1048	- starting from shown engine s.no	1953272
F 4	5095.079	1048	-	1953272
F 8	6960.038	1041	-	1972040
F 10		30016	- starting from shown engine s.no	3863408
F 11		30016	- starting from shown engine s.no	3863408
F 12		30016	- starting from shown engine s.no	3863408
F 13		30016	- starting from shown engine s.no	3863408
	1472.026	30022	-	4398521
F 15		30016	- starting from shown engine s.no	3863408
	5025.094	30022	-	4398521
F 16		30016	- starting from shown engine s.no	3863408
	1165.006	30022	- fitted until shown engine s.no	4398521
F 18	5065.058	1048	-	1953272
	5066.014	30011	-	3443513
F 18	5066.016	30011	-	3443513
F 19	5065.057	1048	-	1953272
	5066.013	30011	-	3443513
F 19	5066.015	30011	-	3443513
F 24		1048	- starting from shown engine s.no	1953272
F 27		30016	- starting from shown engine s.no	3863408
F 31		30016	- starting from shown engine s.no	3863408
	7100.371	30022	- old type no longer avial. - superseded by new complete rewind starter	4398521
F 32		30016	- starting from shown engine s.no	3863408
F 34		30016	- starting from shown engine s.no	3863408
F 35		30016	- starting from shown engine s.no	3863408
F 36		30016	- starting from shown engine s.no	3863408
	5025.094	30022	-	4398521
F 44		30016	- starting from shown engine s.no	3863408
F 50		30011	- starting from shown engine s.no	3453471
F 51	1760.003	30011	- fitted until shown engine s.no	3443512
F 52	8490.083	30011	- fitted until shown engine s.no	3443512
F 54	9245.047	1048	- fitted until shown engine s.no	1953371
F 55	1770.002	30011	- fitted until shown engine s.no	3443512
F 59	6480.038	1062	-	2532150
	6480.046	1072	-	2889632
F 62	4970.012	1062	-	2532150
	4970.015	1072	-	2889632
F 64	7885.018	1062	-	2532150
	7885.026	1072	-	2889632
F 68	6371.073	1047	- fitted until shown engine s.no	1953271
F 69	2566.099	1047	- fitted until shown engine s.no	1972592
F 70	2566.036	1048	- fitted until shown engine s.no	1972591
F 76	8546.033	30008	- fitted until shown engine s.no	3203431
F 78	5840.027	30001	-	3074473
	5840.065	30001	-	3074473
	5840.134	30008	-	3203432
F 95	7362.066	5149	-	02.1988
F100		30022	- starting from shown engine s.no	4398521
F101	5660.078	30022	- in fact never fitted	4398521
F102		30016		



**Z**  
**3LD**



**1560.013 3LD 450**

**1560.189 3LD 450**  
*motofalciatrice/power mower*

**1560.070 3LD 450/S**

**1560.021 3LD 510**

**1560.014 3LD 450**

**1560.032 3LD 510**



Group: 3LD  
Engine: 3LD 510 Drawing: Z

### SHORT BLOCK

POS.	CODE	DESCRIPTION	Qty
1	1560.021	short block automotive version	1
1	1560.032	short block industrial version	1