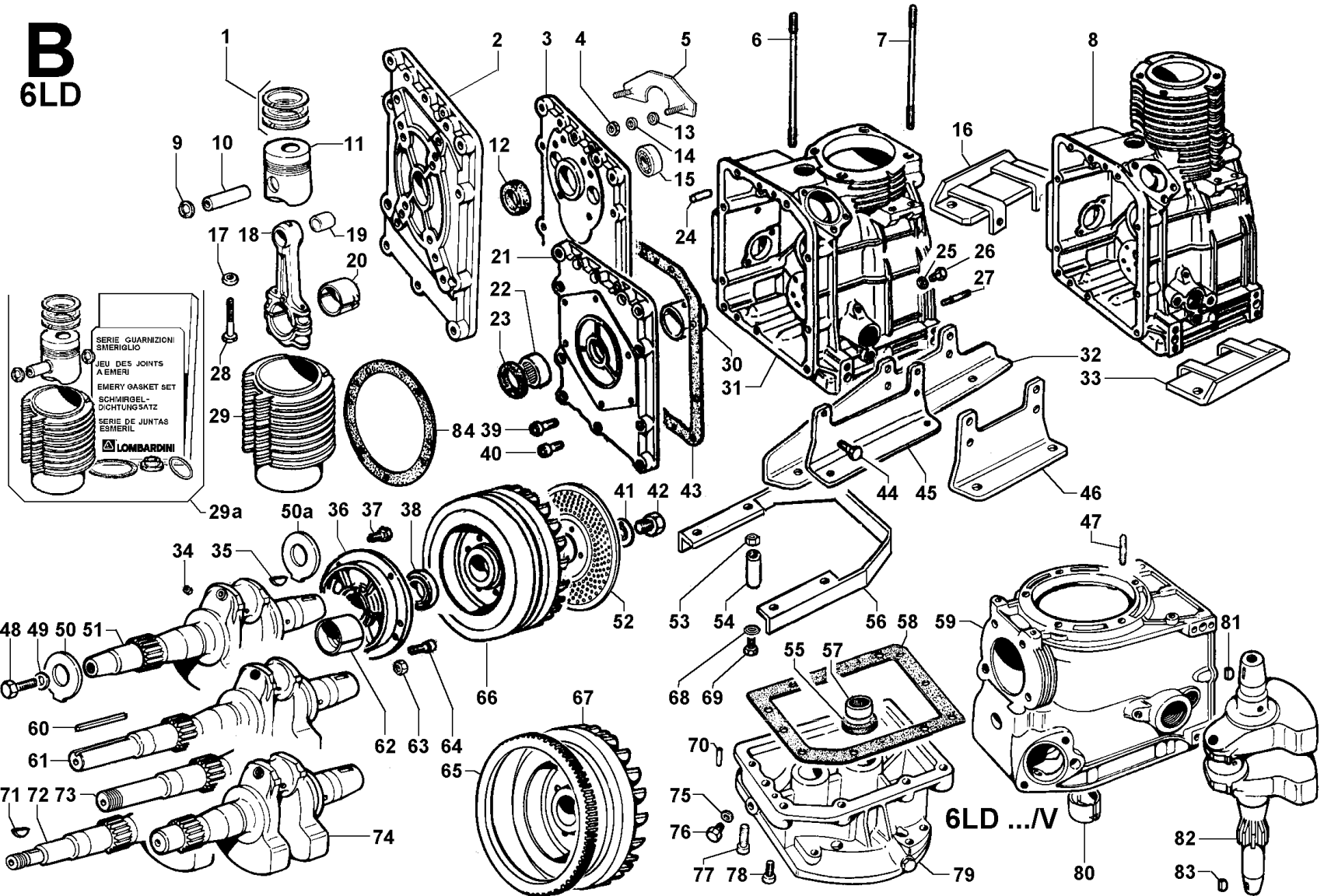


INTAKE AND EXHAUST

POS.	CODE	DESCRIPTION	Qty
1	4500.092	gasket	1
2	3700.111	air cleaner ass.y std	1
2	3700.112	air cleaner (engine with feed pump)	1
3	3700.110	air cleaner (engine with feed pump)	1
3	3700.198	air cleaner	1
4	3200.002	wing nut M 6	1
5	7625.092	washer diam. 6,5	1
6	4775.137	gasket	1
7	2125.055	prefilter cap	1
8	1301.053	cyclonic prefilter (Ø 120)	1
15	5496.113	filtering element diam.124	1
16	3240.018	nut M 8	2
17	7565.007	washer diam. 8	2
22	4775.120	gasket h=10 d=135	1
23	5496.071	filt.element h.90 diam.120	1
24	1261.072	seal ring h=17,6 d=54	1
33	4115.048	hook	2
39	4500.091	gasket	1
40	5460.436	eXhaust muffler	1
41	6927.048	muffler guard	1
42	4500.091	gasket	1
43	3902.034	eXtension	1
44	6927.333	muffler guard	1
50	3240.163	nut M 8	2
51	5460.432	muffler	1
51	5460.433	denoised muffler	1
51	5460.434	denoised muffler Goldoni type	1
73	5462.089	eXhaust muffler	1
74	«-----»	see Pos. A 51	0
75	5460.435	eXhaust muffler	1
76	6927.336	muffler guard	1
77	6927.332	muffler guard (EEC type)	1





Group: 6LD
 Engine: 6LD 360 Drawing: B

CONN.ROD/PISTON/CYLINDER/CRANKSHAFT/FLYWHEEL/CRANKCASE/FLANGING/MOUNTS

POS.	CODE	DESCRIPTION	Qty
1	8211.045	ring set std.	1
1	8211.046	ring set +0,50	1
1	8211.047	ring set +1,00	1
2	6645.214	GEAR COVER A&B SAEJ609A	1
2	6645.216	GEAR COVER A&B SAEJ609A with reduced radial clearence	1
6	6850.108	gear side stud	2
7	6850.092	flywh. side stud	2
7	6850.106	flywh. side stud	2
9	1240.017	snap ring	2
10	8480.092	gudgeon pin	1
11	6500.733	PISTON SET std	1
11	6500.734	PISTON SET +0,50	1
11	6500.735	PISTON SET +1,00	1
17	7626.048	connect.rod washer	2
18	1526.030	CONNECTING ROD	1
20	1640.082	big end bushing std.	1
20	1640.083	big end bushing -0,25	1
20	1640.084	big end bushing -0,50	1
21	6645.202	GEAR COVER	1
21	6645.203	GEAR COVER	1
21	6645.220	GEAR COVER	1
21	6645.474	GEAR COVER	1
22	3030.028	ball bearing DL 2820	1
22	3030.046	ball bearing	1
23	«-----»	double lip type seal ring	0
23	1213.056	seal ring 28 X 38 X 7	1
24	8460.055	locating dowel	2
25	4670.058	copper gasket diam. 8,2X12X1,5	1
26	1770.001	bolt M 8 X 1,25 X 12	1
27	6780.076	stud M 8 X 18 (34)	5
28	1770.083	bolt M 8 X 1,25 X 50	2
29	2380.453	cylinder	1
29a	4898.012	kit cylinder-piston set-emery gasket set	1
30	1611.018	bearing std. (gear side)	1
30	1611.019	bearing -0,50 (gear side)	1
30	1611.020	bearing -1,00 (gear side)	1
30	1611.227	bearing -0,25 (gear side)	1
31	1510.171	CRANKCASE	1
32	6428.036	eXh.side mount	1
32	6428.037	inl.side mount	1
34	9000.069	eXpansion plug	2
35	2280.048	flywheel side key	1
36	8675.135	crankshaft support	1
36	8675.273	crankshaft support	1
37	1760.001	bolt M 6 X 1 X 10	4
38	1210.092	seal ring	1
39	9732.063	screw M 8 X 35	9
40	9732.064	screw M 8 X 30	1
41	7626.043	washer diam.14,5	1
42	1800.030	bolt M 14 X 35 sin.	1
43	4601.020	gasket 0,25	1
44	1770.111	bolt M 8	8
45	6427.035	engine mount	2

Group: 6LD
Engine: 6LD 360 Drawing: B

CONN.ROD/PISTON/CYLINDER/CRANKSHAFT/FLYWHEEL/CRANKCASE/FLANGING/MOUNTS

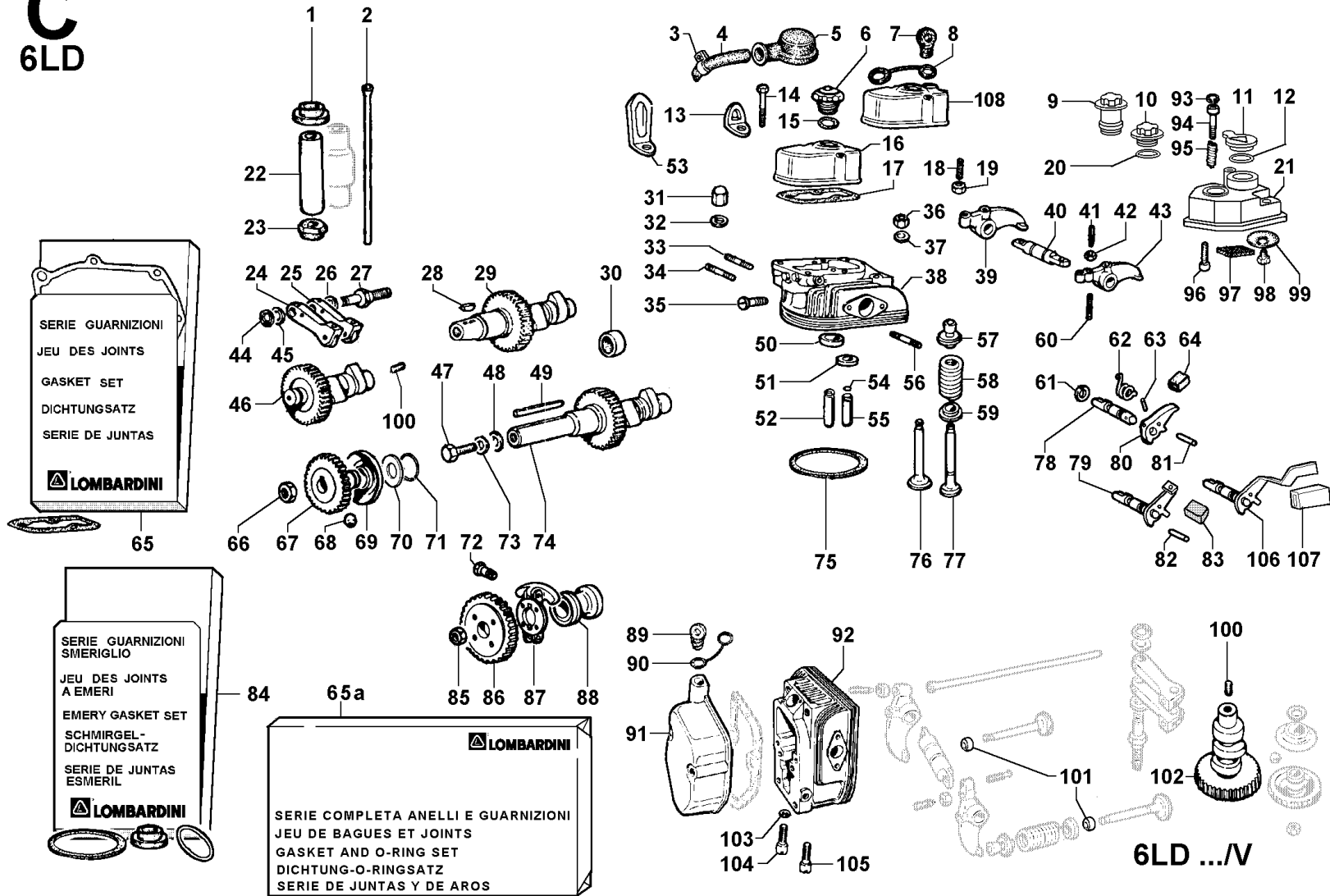
POS.	CODE	DESCRIPTION	Qty
48	1770.039	bolt M 8 X 1,25 X 28	1
49	7625.060	washer diam. 8,4	1
50	1257.008	thrust washer	1
50a	«-----»	thrust washer	0
51	1050.115	CRANKSHAFT std	1
52	5095.076	flywheel guard	1
53	3527.004	spacer	4
54	2500.094	hollowstud	4
56	6010.075	guard pad	1
60	2280.050	key 6,32 X 6,32 X 60	1
61	1050.117	CRANKSHAFT	1
62	1611.012	bearing std. (flyheel side)	1
62	1611.013	bearing -0,50 (flyheel side)	1
62	1611.014	bearing -1,00 (flyheel side)	1
62	1611.228	bearing -0,25 (flyheel side)	1
63	3240.164	nut M 8	1
64	9731.030	screw M 8 X 12	2
65	2816.036	crown gear z=98	1
66	«-----»	flywheel (ind.-K.AGR)	0
66	9880.129	light.system-hand crank flywheel	1
66	9880.305	light.syst.flywheel (K.AGR. only)	1
67	9880.143	FLYWHEEL with CROWN for alternat. 4 A	1
67	9880.666	FLYWHEEL with CROWN for alternator 12/16 A	1
68	7625.012	washer diam. 8,4	4
69	1770.007	bolt M 8 X 1,25 X 30	4
69	9730.100	screw M 8 X 25	4
71	2280.047	key 4 X 5,5 X 16	1
71	2280.052	key 6,35X9,52X22,225	1
72	1050.118	CRANKSHAFT EXT a 3 mm 391	1
72	1050.119	CRANKSHAFT EXT A 3 mm 343	1
73	«-----»	CRANKSHAFT EXT 9 mm 366,2 (thread 1''X mm 26,2) - no longer ava	0
73	1050.121	CRANKSHAFT EXT 9 mm 366,2 (thread 1''X mm 26,2)	1
84	«-----»	gasket 0,40	0

Additional Info - Engine: 6LD 360 Drawing: B

CONN.ROD/PISTON/CYLINDER/CRANKSHAFT/FLYWHEEL/CRANKCASE/FLANGING/MOUNTS

Pos.	Old part	Serv.Lett.	Notes	S.No/Date
B 2	6646.097	9112	Pos. 2-22-23 -	2872457
B 2	6647.001	9113	Pos. 2-22-23 -	2907328
B 10	8480.023	60019	-	3129523
B 11	6500.238	60019	Pos. 1-9-10-11 -	3129523
B 11	6500.239	60019	Pos. 1-9-10-11 - old type will be supeseded by 4896.42 9	3129523
B 11	6500.240	60019	Pos. 1-9-10-11 - old type will be supeseded by 4896.42 9	3129523
B 20	1640.036	942	-	1826196
	1640.058	966	-	12.1984
B 20	1640.046	942	-	1826196
	1640.056	966	-	12.1984
B 20	1640.047	942	-	1826196
	1640.057	966	-	12.1984
B 21	6646.070	997	Pos. 21-22-23 -	2823041
B 21	6646.099	997	Pos. 21-22-23 - for GENERATING SET with reduced radial clear.bear.	2823041
B 25	4670.062	989	-	2767156
B 26	1760.001	998	-	2835223
B 29	2380.172	60019	-	3129523
B 29a	4898.011	60019	-	3129523
B 36	8675.082	9104	- for engines without el.starting or with 4A light.-sta rt system	2853350
B 36	8675.150	60007	- for engines with el.starting or light. system 12A	3063082
B 50a	1257.008	9104	- fitted until shown engine s.no	2853350
B 67	9880.144	60007	Pos. 65-67 -	3063082
B 84	4701.017	9104	- fitted until shown engine s.no	2853350
	4700.094	9104	- fitted until shown engine s.no	2853350
	4701.003	9104	- fitted until shown engine s.no	2853350
	4701.015	9104	- fitted until shown engine s.no	2853350

C
6LD



CYLINDER HEAD/ROCKER ARM BOX/VALVES/TIMING/SPEED GOVERNOR

POS.	CODE	DESCRIPTION	Qty
1	4740.018	upper gasket	1
2	1410.151	push rod	2
3	3617.020	clamp	1
4	9601.044	breather pipe (mm 500)	1
5	2145.003	cap	1
6	9050.050	BREATHER CAP	1
7	«-----»	starter cap	0
9	9032.054	filler cap orange color	1
11	«-----»	breather cap - see pos. C 21	0
12	1201.095	O ring 3162	1
13	8506.003	engine lifting eye	1
14	9730.034	screw M 8 X 55	2
15	1200.014	O ring	1
16	2125.133	rocker arm cover	1
17	4400.023	gasket 0,50	1
18	9850.048	rocker arm adjuster	1
19	3240.008	nut M 6	1
20	1200.014	O ring	1
21	2125.144	ROCK.COVER WITH INTERN.RECYCL.BREATHER	1
22	9520.029	guard tube	1
23	4740.025	lower gasket	1
24	5271.054	camshaft lever	1
26	7550.006	washer	1
27	6140.080	pin	1
31	3230.030	gear side nut M 9	2
32	7625.212	washer 9,2 X 16	2
33	6780.071	stud M 8 X 28 (40)	1
34	6780.010	stud M 8 X 22 (34)	1
35	9820.080	screw	1
36	3240.076	flywh.side nut M 9	2
37	7625.212	washer 9,2 X 16	2
38	9200.592	CYLINDER HEAD	1
39	4330.048	ROCKER ARM ASS.Y	1
40	6045.038	rocker arm shaft	1
41	9850.048	rocker arm adjuster	1
42	3240.008	nut M 6	2
43	«-----»	see Pos. C 39	0
44	1240.004	circlip diam. 10	1
45	7550.006	washer	1
46	1011.379	camshaft	1
50	8000.117	inlet v.seat	1
51	8000.118	eXhaust v.seat	1
52	4845.166	inlet v.guide std.	1
52	4845.167	inlet v.guide +0,50	1
54	«-----»	circlip - no longer avail.	0
55	4845.168	eXhaust v.guide std.	1
55	4845.169	eXhaust v.guide +0,50	1
56	6780.068	stud M 8 X 18 (30)	2
57	6410.036	retainer with half-collets	2
58	5755.045	valve spring	2
59	3430.070	cup	1
60	9850.052	rocker arm adjuster	1
61	1200.034	O ring 105	1

Group: 6LD
Engine: 6LD 360 Drawing: C

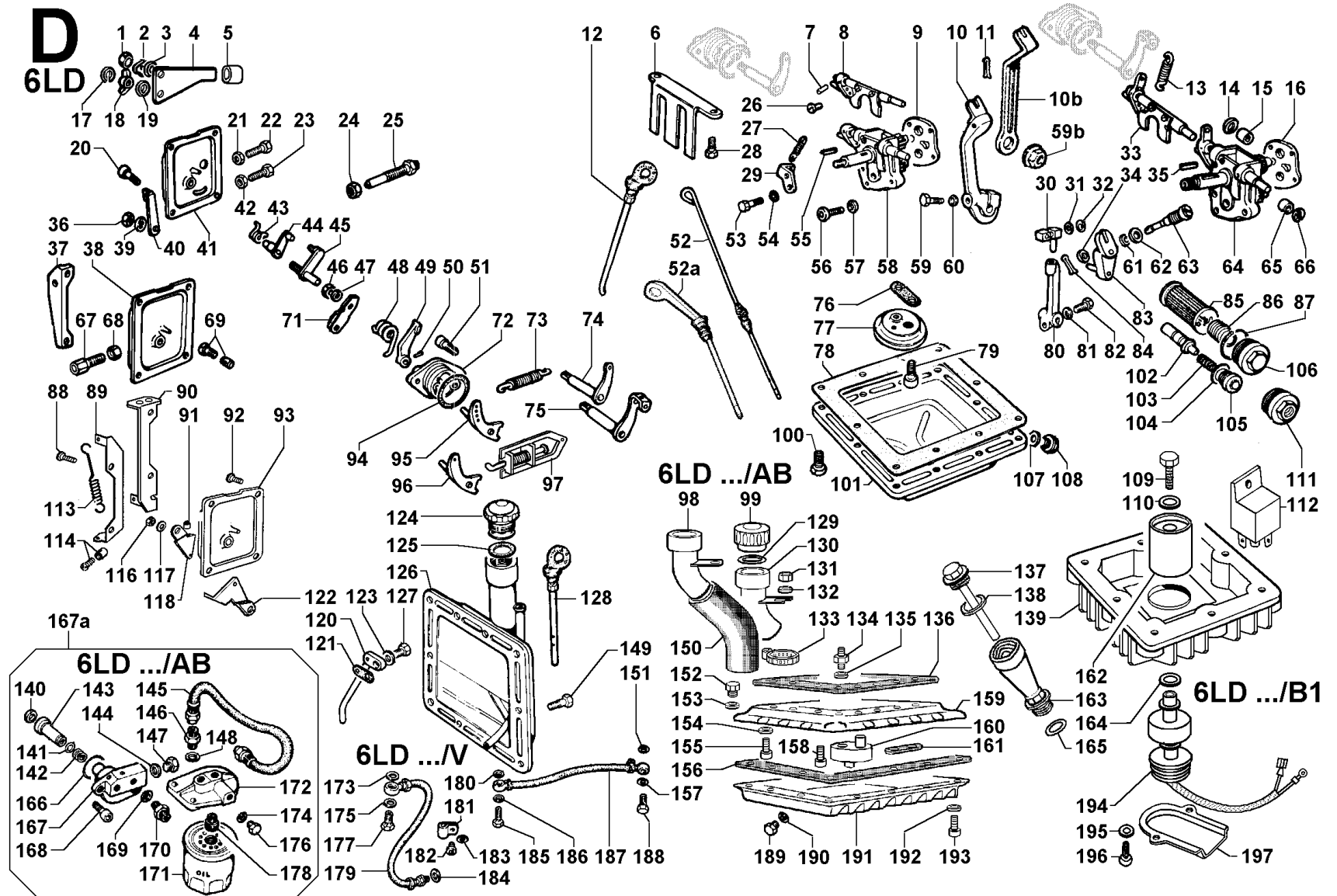
CYLINDER HEAD/ROCKER ARM BOX/VALVES/TIMING/SPEED GOVERNOR

POS.	CODE	DESCRIPTION	Qty
62	5680.046	lever recovery spring	1
63	8430.023	lockpin 3 X 16	1
64	2135.056	cap	1
65	«-----»	GASKET SET - see Pos. C 65a	0
65a	8205.094	RING AND GASKET COMPLETE SET	1
66	3203.060	nut M 10	1
67	4936.020	gear	1
67	7362.109	GOVERNOR SPEED	1
67	7362.193	GOVERNOR SPEED	1
68	8245.009	gov.ball (7/16''- mm 11,1)	1
69	2085.072	governor bell	1
70	7701.081	thrust washer	1
71	1160.011	circlip	1
72	8400.073	taper pin	2
75	4730.145	head gasket 0,60	1
75	4730.146	head gasket 0,70	1
75	4730.147	head gasket 0,80	1
75	4730.148	head gasket 0,90	1
75	4730.171	head gasket 0,50	1
75	4730.180	head gasket 0,55	1
75	4730.181	head gasket 0,65	1
75	4730.182	head gasket 0,75	1
75	4730.183	head gasket 0,85	1
75	4730.184	head gasket 0,95	1
76	9652.099	intake valve	1
77	9685.104	eXhaust valve	1
78	1110.071	compression shaft	1
79	1111.096	compression shaft	1
79	1111.117	compression shaft	1
79	3348.034	COMPRESSION RELEASE	1
79	3348.037	COMPRESSION RELEASE	1
80	5270.078	compression lever	1
81	8430.009	lockpin 4 X 28	1
82	8430.061	lockpin 4 X 14	1
83	6550.010	knob	1
84	8185.013	EMERY GASK.SET	1
85	3240.164	nut M 8	1
86	4936.064	GOVERNOR GEAR	1
87	«-----»	see Pos. C 86	0
88	4896.038	governor ass.y	1

Additional Info - Engine: 6LD 360 Drawing: C

CYLINDER HEAD/ROCKER ARM BOX/VALVES/TIMING/SPEED GOVERNOR

Pos.	Old part	Serv.Lett.	Notes	S.No/Date
C 7	9055.003	60003	- fitted until shown date	10.1989
C 8	3695.038	60003	- fitted until shown date	10.1989
C 16	2125.103	60003	-	10.1989
C 22	9520.046	60019	-	3129523
C 38	9200.131	60041	Pos. 33-34-35-38-50-51-52-54-55-56-57-58-59-76-77-E13 -	3739805
C 46	1011.052	997	-	2823001
C 50	8000.036	60041	-	3739805
C 51	8000.037	60041	-	3739805
C 52	4845.071	9117	-	04.1988
C 52	4845.075	9117	-	04.1988
C 55	4845.030	9118	-	04.1988
C 55	4845.052	9118	-	04.1988
C 65	8180.082	D091	Pos.A32-A47-B43-C17-C75-D76-D78-E79 -	03.2002
C 65a		D091	Pos.A 1-A39-A68-B13-B43-C 1-C15-C17-C23-C75-C101-D76-D78-D87-D94-D104-D164-E12-E58-E59-E61-E63-E78-E -	03.2002
C 67	4936.047	998	-	2835223
C 67	7362.126	998	Pos. 67-68-69-71 -	2835223
C 67	7362.109	9103	Pos. 67-68-69-70-71 -	2846112
C 68	8245.010	998	-	2835223
C 69	2085.072	9103	-	2846112
	2086.081	998	-	2935223
C 70		9103	- starting from shown engine s.no	2846112
C 76	9652.040	60041	-	3739805
C 77	9685.051	60041	-	3739805
C 88	4896.002	60032	-	3358786



CONTROLS/LUBRICATING SYSTEM

POS.	CODE	DESCRIPTION	Qty
1	3240.004	nut M 5	1
2	6330.057	safety plate	1
3	7625.019	washer diam.10	1
4	5201.094	lever	1
5	6550.010	knob	1
6	<----->	plate	0
7	8430.023	lockpin 3 X 16	1
8	6141.046	oil pump pin	1
9	<----->	see Pos. D 58	0
10	5200.998	INJECT.PUMP LEVER	1
10b	<----->	lever	0
11	2800.049	cotter pin	1
13	5550.017	eXt.f.spring 3600 R.P.M.	1
13	5801.087	eXt.f.spring 3000 R.P.M.	1
14	1240.077	snap ring	1
15	<----->	see Pos. D 64	0
17	1165.001	circlip	1
18	3200.015	wing nut	1
19	7626.054	washer diam. 5,3	2
20	9790.039	screw M 6 X 12	4
21	3240.008	nut M 6	1
22	1760.029	bolt M 6 X 1 X 30	1
24	3240.058	nut	1
25	8576.016	EXTRA FUEL DEVICE	1
25	8576.025	EXTRA FUEL DEVICE	1
26	9810.002	screw	2
27	<----->	governor spring	0
35	2280.061	key 3X3,7X10	1
36	3240.008	nut M 6	1
37	8902.025	support	1
38	2691.021	remote control cover (industrial.engine)	1
39	7626.054	washer diam. 5,3	1
40	5202.014	lever	1
41	2691.020	ACCEL. CONTROL (industrial.engine)	1
42	3240.008	nut M 6	1
43	<----->	spring	0
45	6371.033	plate	1
46	3240.008	nut M 6	1
47	7565.004	washer diam. 6	1
48	5680.043	spring	1
49	<----->	see Pos. D 72	0
50	8420.002	locating pin	1
51	9730.010	screw M 6 X 16	2
52	1400.385	dipstick (mm 385)	1
52a	1400.391	dipstick (mm 165)	1
53	9730.009	screw M 6 X 12	1
54	7565.004	washer diam. 6	1
55	2200.013	key	1
56	9730.016	screw M 6 X 35	4
57	7565.004	washer diam. 6	4
58	6605.064	OIL PUMP	1
59	1760.007	bolt M 6 X 1 X 25	1
59b	<----->	nut	0

Group: 6LD
Engine: 6LD 360 Drawing: D

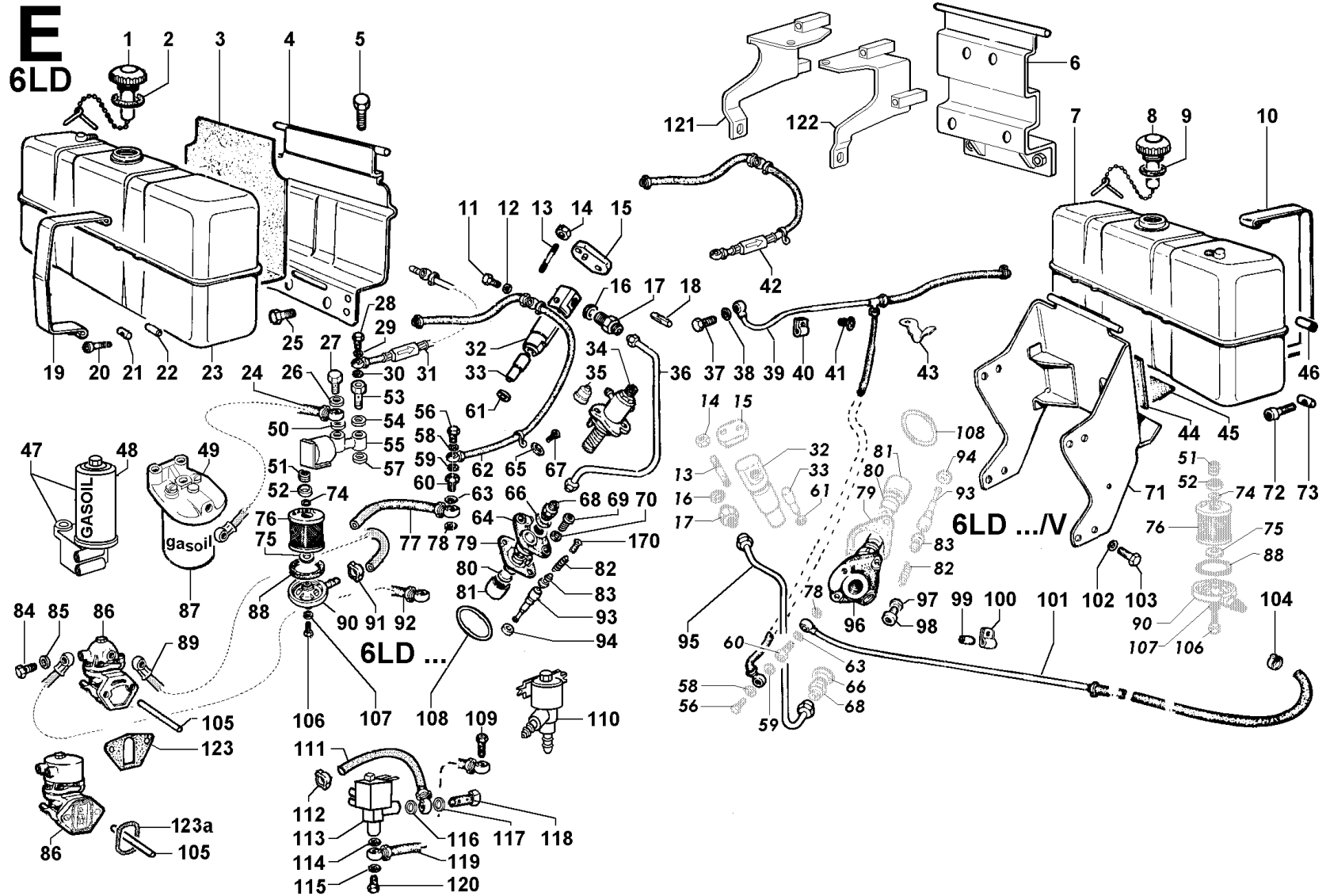
CONTROLS/LUBRICATING SYSTEM

POS.	CODE	DESCRIPTION	Qty
60	7555.004	washer diam. 6	1
64	6605.050	LUBR.OIL PUMP (genearing sets)	1
65	<----->	see Pos. D 64	0
66	1240.077	snap ring	1
67	9180.191	adjuster M 6	1
68	3240.009	nut	2
69	5830.119	nut	1
71	<----->	see Pos. D 72	0
72	8785.075	LEVER SUPPORT	1
72	8785.076	LEVER SUPPORT	1
73	5655.038	govern.spring std	1
73	5655.081	govern.spring (generating set)	1
74	<----->	see Pos. D 72	0
76	4776.016	gasket	1
77	1745.001	oil pipe	1
77	1745.002	oil pipe	1
78	4601.003	gasket	1
79	9732.047	screw M 12 X 20	1
85	2175.019	oil filter cartridge	1
86	5725.032	spring	1
87	1200.016	O ring 137	1
88	9790.047	screw M 6 X 16	2
89	8900.338	support	1
90	8900.395	support	1
91	1970.265	sleeve	1
92	9790.039	screw M 6 X 12	2
93	2690.301	REMOTE CONTROL - K.AGR engine	1
93	2690.320	REMOTE CONTROL - K.AGR engine (stop ENPI)	1
94	1200.087	O ring 3150	1
95	<----->	see Pos. D 72	0
100	1770.111	bolt M 8	10
101	6647.045	oil pan	1
101	6647.046	OIL PAN (deep type)	1
102	9680.013	pressure oil valve	1
103	5755.049	spring	1
104	4670.088	copper gasket 18X24X1	1
105	9070.012	pressure valve plug	1
106	9060.008	oil cartridge cap with M 14 hole	1
107	4670.013	copper gasket diam.10	1
108	8965.032	oil drain plug M 12	1
111	9060.012	oil cartridge cap	1
113	5801.467	spring	1
114	5830.119	nut	1
116	3240.008	nut M 6	1
117	7565.004	washer diam. 6	1
118	5200.560	lever	1
122	<----->	see Pos. D 93	0

Additional Info - Engine: 6LD 360 Drawing: D

CONTROLS/LUBRICATING SYSTEM

Pos.	Old part	Serv.Lett.	Notes	S.No/Date
D 6	5095.099	60003	- fitted until shown date	10.1989
D 8	6141.046	9102	-	2846112
	6140.135	998	-	2835223
	6140.351	60034	-	3475907
D 10b	5200.176	9102	- fitted until shown engine s.no (then see Pos. D 10 - engines K.AGR)	2846112
	5200.363	60034	- fitted until shown engine s.no (then see Pos. D 10 - engines K.AGR)	3475907
D 25	8576.016	998	Pos. 24-25 -	2835223
D 27	5801.087	998	-	2835223
D 28	9790.037	60003	- fitted until shown date	10.1989
D 29		998	- starting from shown engine s.no	2835223
D 53		998	- starting from shown engine s.no	2835223
D 54		998	- starting from shown engine s.no	2835223
D 58	6605.064	9102	Pos. 9-27-29-53-54-55-58 -	2846112
	6605.049	998	Pos. 9-27-29-53-54-55-58 -	2835223
	6605.066	60034	Pos. 9-27-29-53-54-55-58 -	3475907
D 59b	3203.050	9102	- fitted until shown engine s.no	2846112
D 72	8785.076	998	Pos. 46-47-48-49-50-71-72-74-94-95 -	2835223
D 73	5655.081	998	-	2835223
D 89	8903.043	60017	-	01.1990
D 91		60017	- starting from shown engine s.no	01.1990
D 93	2691.082	60017	Pos. 44-93-116-117-118 -	01.1990
D111	9060.011	989	-	2767156
D113	5655.036	60017	-	01.1990
D118	5204.083	60017	-	13.04.2007



FUEL SYSTEM

POS.	CODE	DESCRIPTION	Qty
1	9043.025	FUEL TANK CAP	1
2	4650.056	gasket	1
3	4701.010	gasket	1
4	8866.053	gear s.tank support	1
5	1770.111	bolt M 8	2
6	8866.058	support	1
11	1901.029	union bolt M 8	1
12	4670.058	copper gasket diam. 8,2X12X1,5	2
13	6760.035	stud M 6 X 53 (65)	2
14	3203.050	selflocking nut M 6	2
15	3790.074	injector top plate	1
16	«-----»	gasket	0
18	3750.086	mechanic fuel filter	1
19	3616.095	fuel tank strap	1
20	9730.016	screw M 6 X 35	2
21	1557.019	drilled block	2
22	9600.057	rubber spacer	2
23	8103.040	fuel tank	1
25	1770.111	bolt M 8	2
26	4670.060	copper gasket diam.12	1
27	1901.040	union bolt M 12	1
28	1901.029	union bolt M 8	1
29	4670.058	copper gasket diam. 8,2X12X1,5	1
32	6615.089	NOZZLE-HOLDER Stanadyne	1
33	6531.433	nozzle Stanadyne	1
36	9372.090	high press.pipe	1
43	6275.118	plate	1
49	3730.036	FUEL FILTER	1
50	4670.060	copper gasket diam.12	1
51	5575.006	spring	1
52	3930.019	cup	1
53	1901.070	union bolt M 12	1
54	4670.060	copper gasket diam.12	1
55	3587.103	el.valve (12V)on injection pump	1
56	1901.029	union bolt M 8	1
57	4670.060	copper gasket diam.12	1
58	4670.058	copper gasket diam. 8,2X12X1,5	1
60	1901.012	union bolt	1
61	4670.099	copper gasket 1,00	1
62	9571.154	bleed.pipe (mm 530)	1
63	4670.060	copper gasket diam.12	1
64	6590.073	INJECTION PUMP	1
64	6590.133	INJECTION PUMP for rewind start	1
65	7625.008	washer diam. 6,4	1
66	1200.031	rubber oil seal	1
67	9790.037	screw M 6 X 8	1
68	«-----»	connection Stanadyne	0
68	7265.008	connection	1
69	9730.100	screw M 8 X 25	2
70	7625.010	washer diam. 8	2
74	1200.268	rubber oil seal	1
75	4490.017	gasket	1
76	2175.032	fuel filter cartridge	1

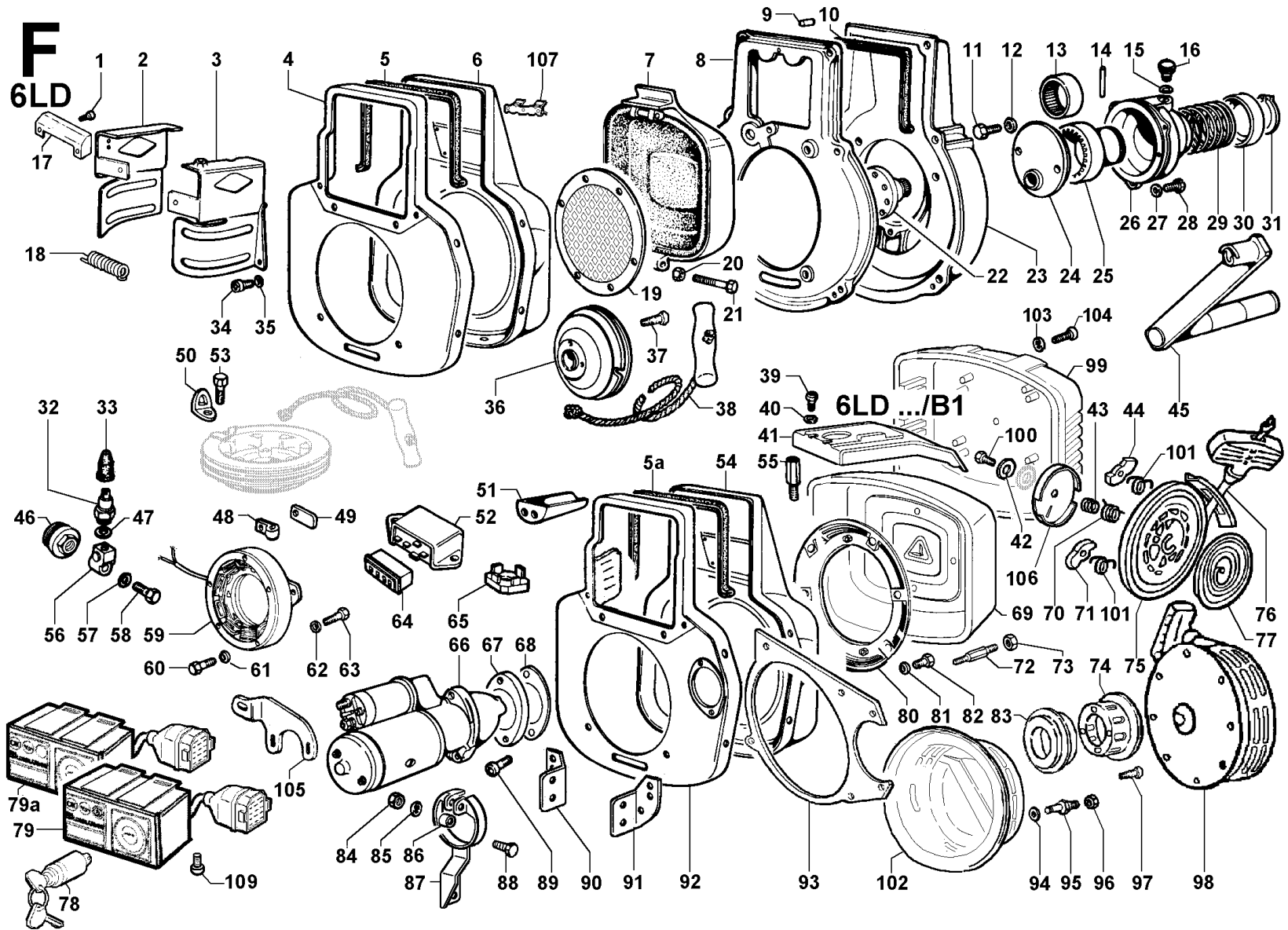
Group: 6LD
Engine: 6LD 360 Drawing: E

FUEL SYSTEM			
POS.	CODE	DESCRIPTION	Qty
76	3730.028	FUEL FILTER	1
77	9375.274	hose from gear side tank to inj.pump (mm 142)	1
78	4670.060	copper gasket diam.12	1
79	4580.023	gasket 0,30	1
79	4580.024	gasket 0,50	1
79	4580.029	gasket 0,10	1
79	4580.057	gasket 0,05	1
80	6000.036	tappet	1
81	7215.035	tappet	1
82	5755.034	delivery valve spring Omap	1
82	5755.134	delivery valve spring Stanadyne	1
83	9672.012	delivery valve BOSCH	1
83	9672.029	delivery valve (mmc 15)	1
84	1901.030	union bolt M 10	2
85	4670.059	copper gasket diam.10	4
86	6585.084	feed pump in-out parallel	1
87	2175.045	fuel filter cartridge	1
88	4431.040	gasket	1
89	9375.276	fuel hose mm 430	1
90	2605.028	filter cover	1
91	3630.008	clamp	1
93	6578.027	plunger diam. 6	1
93	6578.133	plunger diam. 6	1
94	6400.059	cup Stanadyne	1
105	7200.048	drive rod	1
106	1760.162	bolt	1
107	1202.052	rubber oil seal	1
108	1200.087	O ring 3150	1
121	8866.089	tank support (inlet side)	1
122	8866.090	tank support (exhaust side)	1
123	«-----»	gasket 0,40	0
123a	1200.087	O ring 3150	1

Additional Info - Engine: 6LD 360 Drawing: E

FUEL SYSTEM

Pos.	Old part	Serv.Lett.	Notes	S.No/Date
E 17	7301.006	60041	-	3739805
E 32	6615.043	60041	Pos. 16-17-32-33 -	3739805
E 33	6531.104	60041	-	3739805
E 43		60019	- starting from shown engine s.no	3129523
E 61	4670.065	60041	-	3739805
E 64	6590.055	9108	Pos. 64-66-68 -	12.1987
E 83	9672.012	9108	- for pump 6590.136, 6590.073, 6590.192	12.1987
E 86	6585.051	60053	-	5377119
E108		60039	- starting from shown engine s.no	3664614
E123	4580.170	60053	-	5377118
	4580.169	60053	-	5377118
E123a		60053	- starting from shown engine s.no	5377119



COOLING SYSTEM/STARTING

POS.	CODE	DESCRIPTION	Qty
2	5066.198	airtight plate	1
3	5066.199	airtight plate	1
4	6370.302	plate (for rope or rewind starting)	1
5	4570.010	gasket	1
6	2569.058	shroud std	1
6	2569.277	shroud fitted for pulley guard	1
6	2569.560	shroud fitted for rewind starting	1
7	2670.022	pulley cover	1
8	6370.128	plate for starting motor	1
9	8460.083	lockpin	1
10	4570.014	gasket	2
11	1760.001	bolt M 6 X 1 X 10	2
12	7565.004	washer diam. 6	2
13	1585.058	ball bearing	2
14	8430.019	lockpin	1
15	1202.016	O ring 109	1
16	8965.031	grease plug	1
18	5725.043	spring	1
19	6927.270	shroud panel	1
20	3203.050	selflocking nut M 6	1
21	1760.093	bolt M 6 X 1 X 85	1
22	«-----»	gear	0
23	2568.098	shroud	1
24	2690.145	cover	1
25	4970.012	gear	1
26	7885.026	housing	1
27	7555.029	washer diam. 8	3
28	1770.005	bolt M 8 X 1,25 X 22	3
29	5801.027	spring	1
30	7980.045	cup	1
31	1240.041	circlip	1
32	6745.050	oil switch 0,3 bar (M 12)	1
33	6491.013	pipe elbow	1
34	9790.037	screw M 6 X 8	2
35	7565.007	washer diam. 8	2
36	«-----»	pulley	0
36	6960.069	pulley	1
37	1765.053	bolt M 7 X 1 X 24	4
38	4055.045	rope starting	1
42	«-----»	circlip	0
43	5660.066	recovery spring	1
44	5025.097	tooth	1
45	5455.006	hand-crank	1
46	«-----»	see Pos. D 111	0
47	4670.014	copper gasket diam.12	1
48	3617.046	clamp	1
49	6275.093	safety plate	1
51	«-----»	deflector	0
51	3350.090	deflector for hand starting	1
52	7362.228	voltage regulator. 12V 14/26A-6 contacts for alternator 3 wires	1
52	7362.298	voltage regul.12 V maX 30 A - 5 contacts for alt.2 wires	1
54	2568.078	shroud	1
54	2569.116	shroud	1

Group: 6LD
Engine: 6LD 360 Drawing: F

COOLING SYSTEM/STARTING			
POS.	CODE	DESCRIPTION	Qty
54	2569.563	shroud	1
56	7330.019	oil switch connector	1
57	4670.058	copper gasket diam. 8,2X12X1,5	1
58	1901.048	union bolt M 8	1
59	1156.098	volt.alternator 12V 4A (70W) - 2 wires	1
59	1157.154	volt.alternator 12V 14A - 3 wires	1
59	1157.167	volt.alternator 12V 16A - 2 wires	1
60	1760.042	bolt M 6 X 1 X 18	6
60	9730.015	screw M 6 X 30	5
61	7565.004	washer diam. 6	6
62	7555.004	washer diam. 6	4
63	9730.012	screw M 6 X 20	4
63	9731.022	screw M 5 X 20	4
64	6740.153	inlet regul.Saprisa	1
65	6607.015	rectifier bridge	1
65	7362.232	light.alt.regul.-5 contacts for alt. 3 wires	1
66	5840.142	starting motor	1
67	3790.040	flange	1
68	8335.073	spacer	1
69	«-----»	cover	0
70	5590.026	thrust spring	1
71	5025.097	tooth	1
74	7980.067	cup	1
75	7100.377	recoil pulley	1
76	4904.038	handle ass.y	1
77	5801.539	spiral spring	1
78	5041.020	key switch	1
79	7245.417	dashboard 3 warning lights	1
79a	7245.422	dashboard 2 warning lights with internal rectifier bridge (4V v	1
80	«-----»	see Pos. F83 (with rewind starting)	0
83	3527.391	spacer	1
89	9732.037	screw M 10 X 40	2
90	5111.095	plate	1
91	5111.096	plate	1
92	6370.420	el.start.plate	1
93	6360.073	plate	1
94	7625.062	washer diam. 6,5	4
95	6055.055	hollowstud	4
96	3203.050	selflocking nut M 6	4
97	9730.315	screw M 7 X 1 X 35	1
98	1472.057	rewind starting	1
100	9730.340	screw M 5 X 10	1
101	«-----»	tooth recovery spring	0
106	7980.063	cup	1
107	6275.102	spring plate	1
108	7470.003	filler	1
109	9730.325	screw M 5 X 10	4

Additional Info - Engine: 6LD 360 Drawing: F

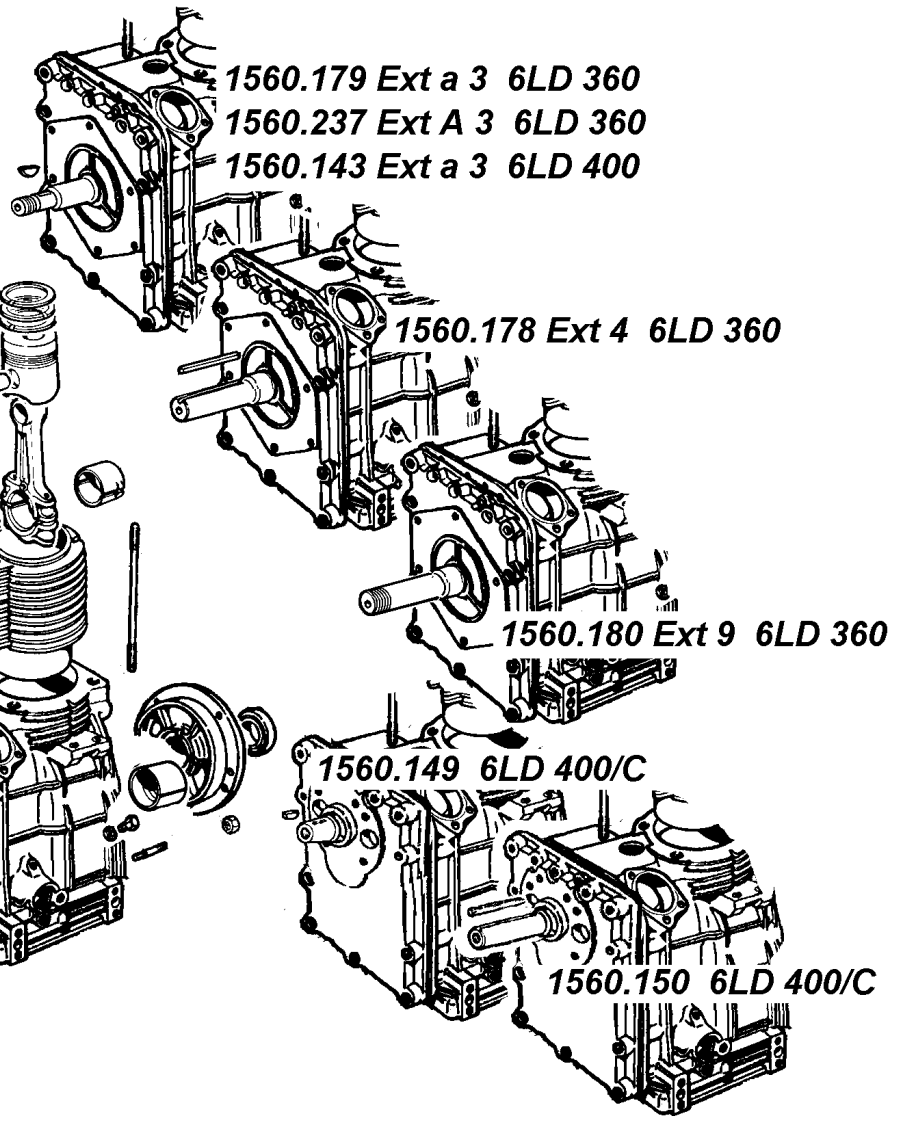
COOLING SYSTEM/STARTING

Pos.	Old part	Serv.Lett.	Notes	S.No/Date
F 2	5066.053	60019	-	3129523
F 3	5066.054	60019	-	3129523
F 5a	4570.011	60013	-	3203271
F 6	2569.352	60037	-	08.1996
F 18		60019	- starting from shown engine s.no	3129523
F 36	6961.070	60037	- fitted until shown date (engines with rewind starter)	08.1996
F 42	1165.006	60052	- fitted until shown engine s.no
F 44	5025.094	60052	-
F 51	3350.065	60013	- fitted until shown engine s.no	3203271
F 52	7362.066	5149	-	02.1988
F 54	2569.401	60037	- for rewind and el.starting	08.1996
F 56	7330.075	989	-	2767156
F 57	4670.062	989	-	2767156
F 58	1901.058	989	-	2767156
F 59	1157.153	60007	-	3063082
F 59	1157.041	60007	-	3063082
F 66	5840.027	60013	-	3203273
	5840.134	60027	-	3299722
F 69	2610.024	60037	- fitted until shown date (engines with rewind starter)	08.1996
F 71	5025.094	60052	-
F 75	7100.371	60052	- old type no longer avial. - superseded by new complete rewind starter
F 79	7245.353	D093	- without integrated regulator
F 79a	7245.358	D093	-
F 80	3855.061	60037	-	08.1996
F 83		60037	- starting from shown engine s.no	08.1996
F 90		60035	- starting from shown engine s.no	3511400
F 91		60035	- starting from shown engine s.no	3511400
F 92	6370.416	60035	-	3511400
	6370.416	60035	-	3511400
	6370.119	60013	-	3203273
	6370.522	60035	- substitution	
	6370.522	60035	- substitution	
F 93		60013	- starting from shown engine s.no	3203273
F 97	9730.240	60037	-	08.1996
F 98	1472.019	60037	-	08.1996
	1472.026	60052	-
	1472.034	60052	-
F100		60052	- starting from shown engine s.no
F101	5660.078	60052	- in fact never fitted	02.2002
F106		60037	- starting from shown engine s.no	08.1996

Z

6LD

- 1560.192 std 6LD 325
- 1560.177 std 6LD 360
- 1560.141 std 6LD 400
- 1560.232 std 6LD 435
- 1560.235 std 6LD 435/B1
- 1560.236 Ext 6 6LD 435/B1
- 1560.272 std 6LD 435/B1 Gen Set





Group: 6LD
Engine: 6LD 360 Drawing: Z

SHORT BLOCK

POS.	CODE	DESCRIPTION	Qty
1	«-----»	short block eXt 9 SAE	0
1	1560.177	short block	1
1	1560.178	short block eXt 4 SAE	1
1	1560.179	short block eXt a 3	1
1	1560.237	short block eXt A 3	1

