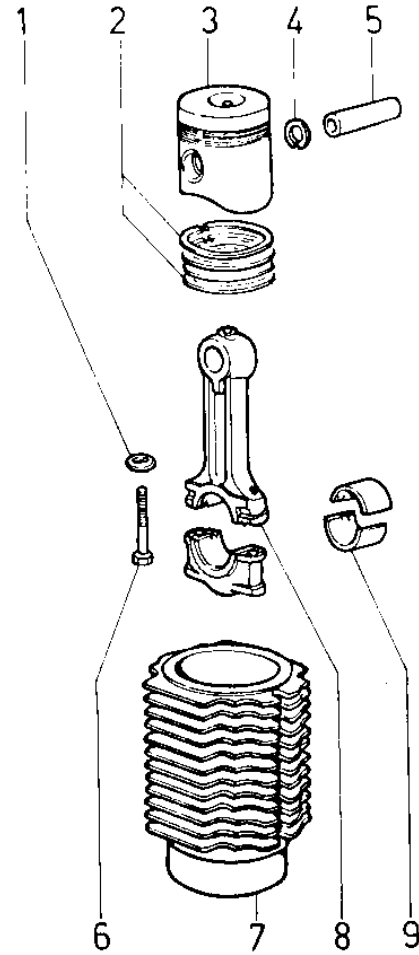


INTAKE AND EXHAUST

POS.	CODE	DESCRIPTION	Qty
1	3617.223	clamp	1
2	«-----»	AIR CLEANER - see Pos. A 2a	0
2a	3700.329	AIR CLEANER	1
3	3240.018	nut M 8	3
4	7565.007	washer diam. 8	3
5	6780.049	intake stud M 8 X 20 (36)	1
6	2100.055	preheating glow plug 12V (M 22 X 1,5)	1
7	4670.027	copper gasket	1
8	2486.312	inlet manifold	1
9	4420.019	eXhaust manif.gasket	2
11	3240.163	nut M 8	4
12	6727.022	cyclonic prefilter	1
13	4776.032	gasket h= 7 diam. 154	1
14	1261.073	seal ring diam. 62,5	1
14a	3525.080	spacer	1
15	4776.062	gasket	1
16	1770.039	bolt M 8 X 1,25 X 28	2
17	4420.020	inlet manifold gasket	2
18	7565.007	washer diam. 8	4
19	3240.018	nut M 8	4
20	2486.028	eXhaust manifold	1
21	4500.079	eXhaust gasket	1
22	5460.248	muffler	1
23	9170.050	muffler end (d.43,5/42)	1
24	4115.048	hook	2
25	5496.077	filtering element	1
25a	5496.075	filtering element for air cleaner Pos. A 2a	1
26	«-----»	see Pos. 2	0
27	7300.091	connection	1
28	4670.014	copper gasket diam.12	1
29	9400.058	suction line mm 250X8	1
31	3240.163	nut M 8	2
32	6780.005	stud M 8 X 18 (30)	2
33	3240.018	nut M 8	1
34	1770.005	bolt M 8 X 1,25 X 22	1
35	5496.193	filtering element	1

B

10LD

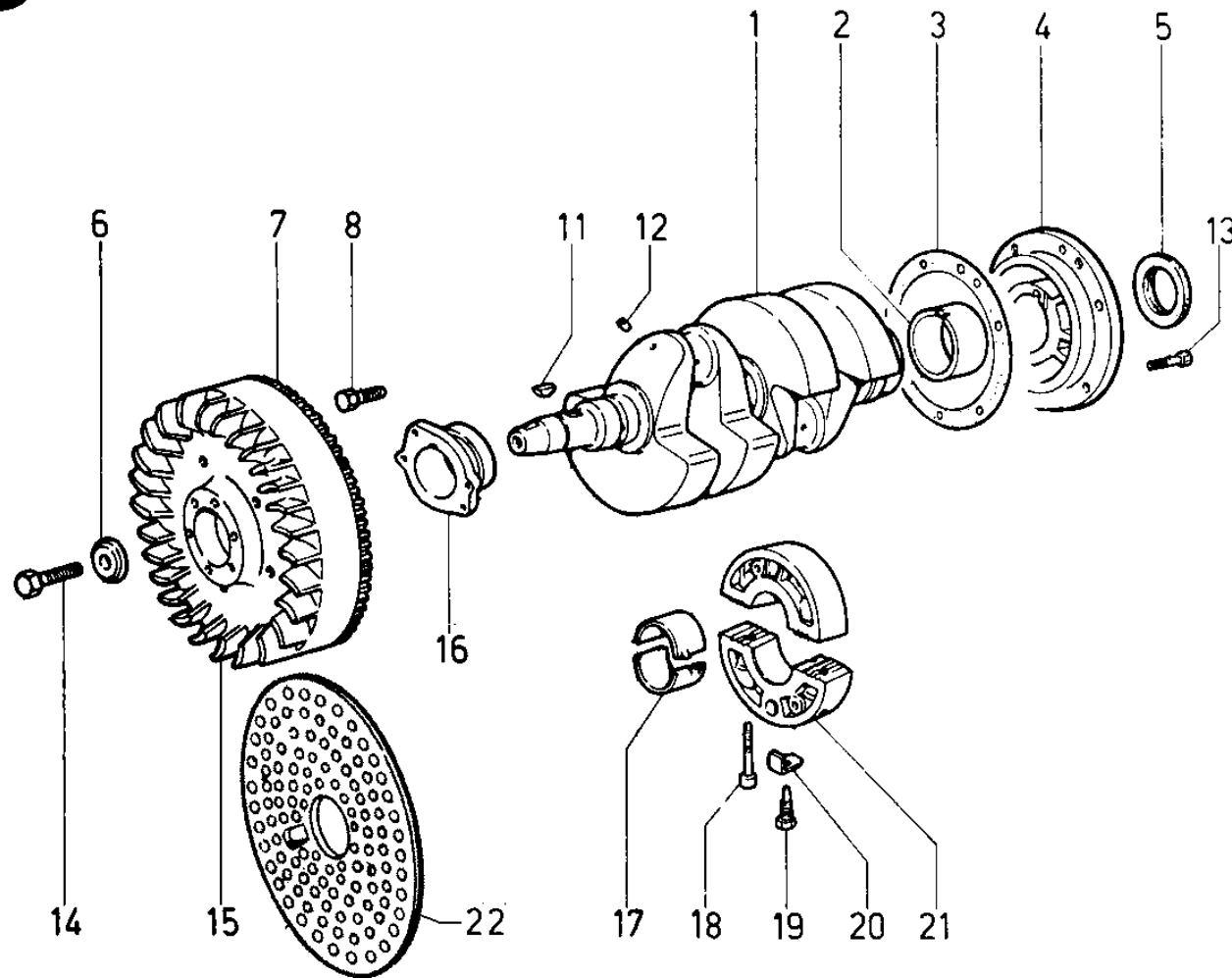


CONNECTING ROD/PISTON SET/CYLINDER

POS.	CODE	DESCRIPTION	Qty
1	7626.048	connect.rod washer	4
2	8211.071	ring set std. (3 grooves)	2
2	8211.072	ring set +0,50 (3 grooves)	2
2	8211.073	ring set +1,00 (3 grooves)	2
3	6500.143	PISTON SET std.	2
3	6500.144	PISTON SET +0,50	2
3	6500.145	PISTON SET +1,00	2
4	1240.017	snap ring	4
5	8480.091	gudgeon pin	2
6	1770.083	bolt M 8 X 1,25 X 50	4
7	«-----»	cylinder - no longer avail.	0
8	1526.030	CONNECTING ROD	2
9	1640.082	big end bushing std.	2
9	1640.083	big end bushing -0,25	2
9	1640.084	big end bushing -0,50	2

C

10LD



CRANKSHAFT AND SUPPORTS/FLYWHEEL

POS.	CODE	DESCRIPTION	Qty
1	<----->	CRANKSHAFT	0
2	1611.053	bearing -0,50 (tank side)	1
2	1611.054	bearing -0,25 (tank side)	1
2	1611.055	bearing std. (tank side)	1
3	4701.058	gasket 0,30	1
3	4701.059	gasket 0,50	1
4	8675.291	SUPPORT	1
5	1213.347	seal ring 70X88X8	1
6	7626.033	washer	1
7	<----->	crown gear	0
8	1770.156	bolt M 8 X 1,25 X 25	2
9	<----->	washer	0
11	2280.056	crankshaft wooddruff key	2
12	9000.073	eXpansion plug	4
13	1770.156	bolt M 8 X 1,25 X 25	6
14	1805.025	bolt	1
15	<----->	flywheel	0
16	8675.266	gear side support std.	1
16	8675.267	gear side support -0,25	1
16	8675.268	gear side support -0,50	1
17	1610.082	main bearing shell c. std.	1
17	1610.098	main bearing shell c. -0,25	1
17	1610.099	main bearing shell c. -0,50	1
18	9732.075	screw M 8 X 50	2
19	1862.144	bolt	1
20	5111.069	safety plate	1
21	8676.055	MIDDLE SUPPORT	1
22	<----->	see Pos. G 21	0

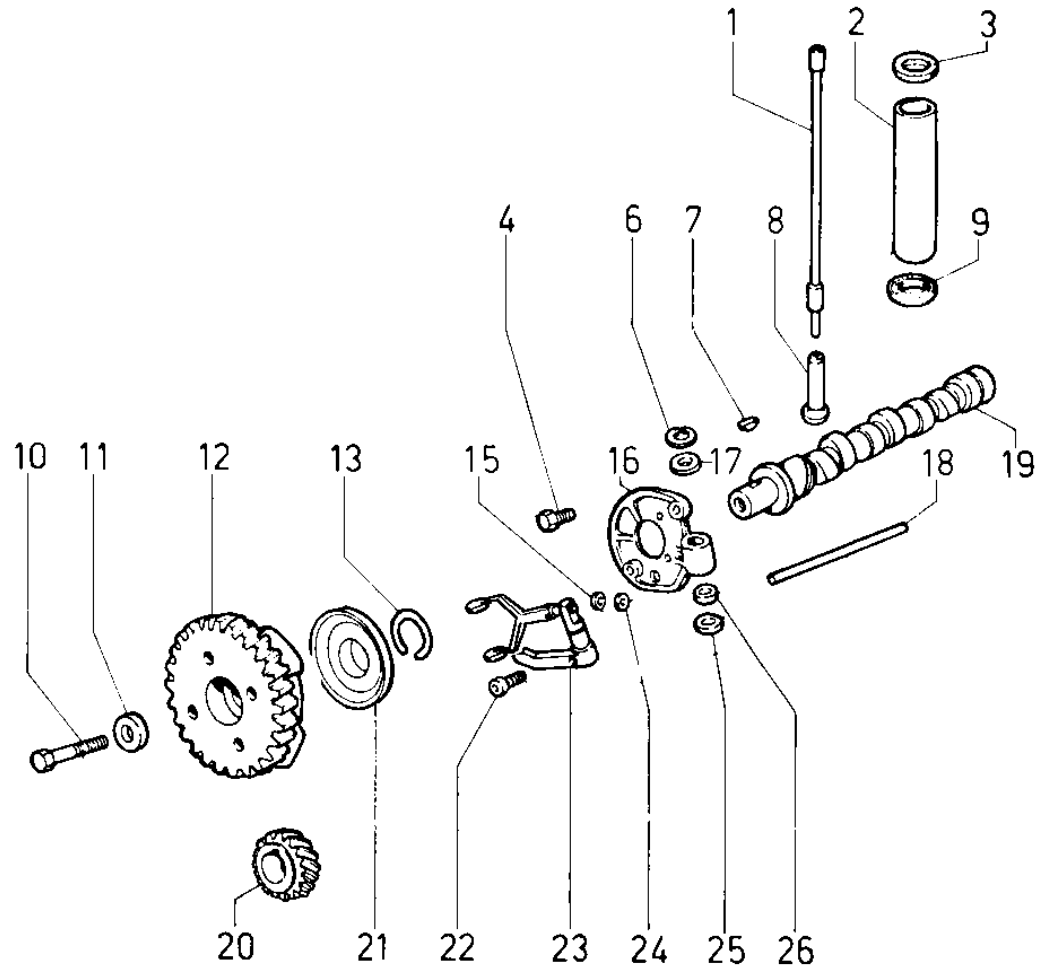
Additional Info - Engine: 10LD 400-2 Drawing: C

CRANKSHAFT AND SUPPORTS/FLYWHEEL

Pos.	Old part	Serv.Lett.	Notes	S.No/Date
C 3	4701.051	1608	-	05.1984
C 3	4701.052	1608	-	05.1984
C 4	8676.068	1608	Pos. 2 (std)-4-5 -	05.1984
	8676.090	120007	Pos. 2 (std)-4-5 -	3574322
C 5	1210.079	120007	-	3574322
C 8	1770.005	100003	-	3524959
C 9	7625.012	100003	- fitted until shown engine s.no	3524958
C 13	3203.047	100003	- use 3240.164 to replace old type	3524959
C 15	9880.134	1609	(Pos. 7-15) - fitted until shown date	10.1984

D

10LD





Group: 10LD
 Engine: 10LD 400-2 Drawing: D

TIMING/SPEED GOVERNOR

POS.	CODE	DESCRIPTION	Qty
1	1410.044	push rod	4
2	«-----»	guard tube	0
3	4740.024	lip seal	2
4	1770.150	bolt M 8 X 1,25 X 22	2
6	1240.005	snap ring	1
7	2280.047	key 4 X 5,5 X 16	1
8	7215.043	tappet	4
9	4740.024	lip seal	2
10	1780.059	bolt M 10 X 1,5 X 35	1
11	7626.038	washer	1
12	7362.277	SPEED GOVERNOR	1
12	7362.278	SPEED GOVERNOR 3600 R.P.M.	1
13	1160.022	circlip	1
14	«-----»	ball bearing	0
15	7625.007	washer diam. 6	1
16	4882.046	GOVERNOR LEVER ASS.Y	1
17	7626.040	washer	1
18	6080.022	governor push rod	1
19	1011.085	camshaft	1
20	4936.035	gear	1
21	2086.140	governor bell	1
22	9730.107	screw M 6 X 14	1
23	5200.854	GOVERNOR LEVER	1
24	1240.077	snap ring	1
25	7626.040	washer	1
26	1585.025	bushing	2

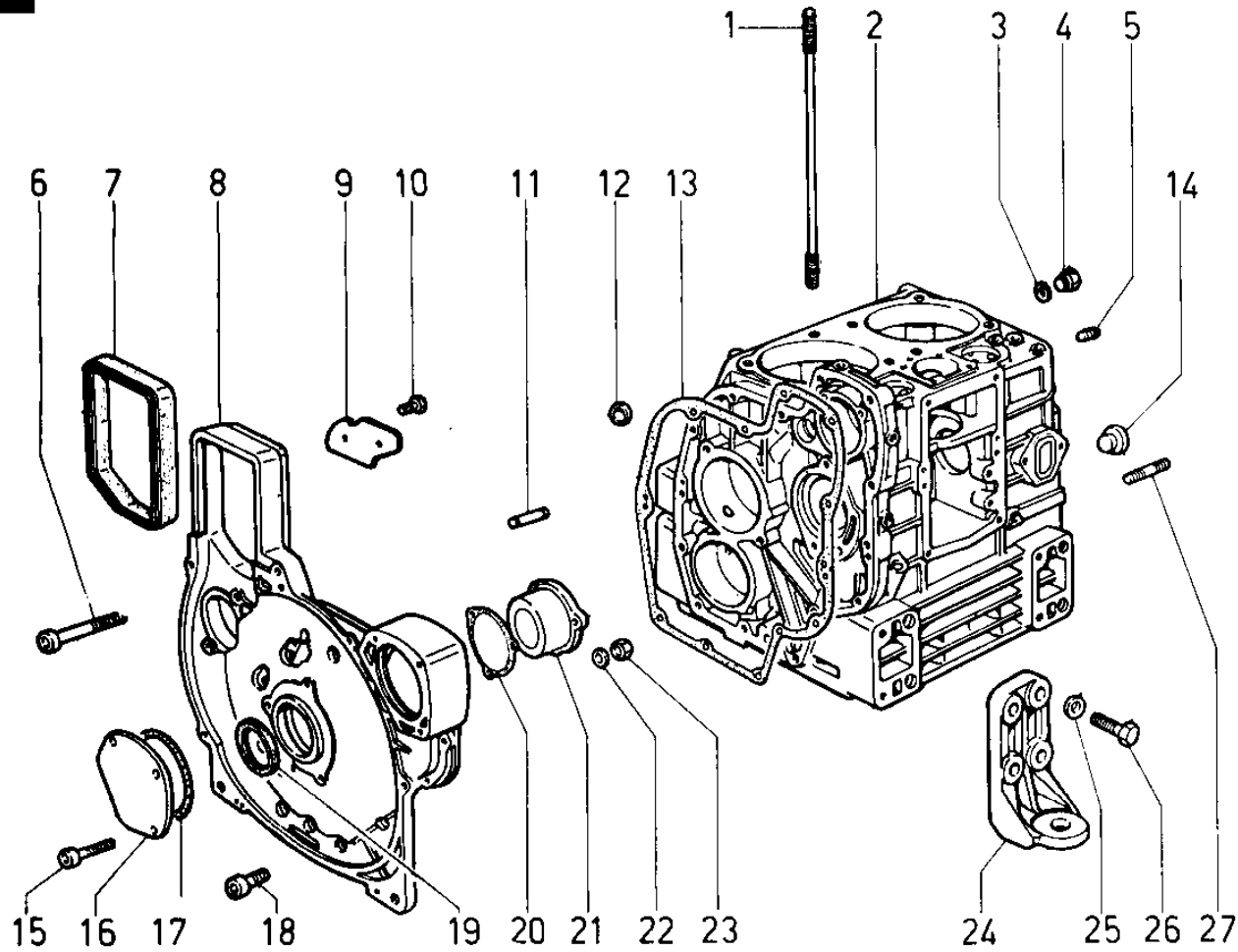
Additional Info - Engine: 10LD 400-2 Drawing: D

TIMING/SPEED GOVERNOR

Pos.	Old part	Serv.Lett.	Notes	S.No/Date
D 4	1770.005	100003	-	3524959
D 6	7555.029	100003	-	3524958
D 12	4936.063	1622	(Pos. 12-13-21) -	2814589
	7362.160	100002	(Pos. 12-13-21) -	3398520
D 12	4936.063	1622	(Pos. 12-13-21) -	2814589
	7362.186	100002	(Pos. 12-13-21) -	3398520
D 14	3110.058	100002	- fitted until shown engine s.no	3398519
D 16	8785.064	1505	(Pos. 6-15-16--17-22-23-24-25-26) -	06.1983
	8785.069	100002	(Pos. 6-15-16--17-22-23-24-25-26) - substitution	
D 17		1505	- fitted from shown date	06.1983
D 21	2086.082	1622	-	2814589
	2086.084	100002	-	3398520
D 22	9800.061	1505	-	06.1983
D 23	5200.197	1622	(Pos. 6-15-17-22-23-24-25) -	2814589
	5200.300	100002	(Pos. 6-15-17-22-23-24-25) -	3398520
D 25		1505	- fitted from shown date	06.1983

E

10LD



CRANKCASE/GEAR COVER/MOUNTS

POS.	CODE	DESCRIPTION	Qty
1	6850.102	stud	8
2	1510.708	CRANKCASE	1
3	4670.058	copper gasket diam. 8,2X12X1,5	1
4	1770.042	bolt M 8 X 1,25 X 10	1
5	9765.111	threaded plug	1
6	9732.077	screw M 8 X 70	3
7	4776.089	gasket	1
8	«-----»	support	0
9	5055.026	panel	1
10	1760.001	bolt M 6 X 1 X 10	2
11	8460.055	locating dowel	2
12	9080.083	plug	1
13	4701.041	gasket	1
14	9000.072	eXpansion plug	1
15	9730.032	screw M 8 X 45	3
16	2751.095	blanking plate	1
17	1201.027	rubber oil seal	1
18	9732.063	screw M 8 X 35	10
19	1213.321	oil seal (front) 42X58X10	1
20	4776.087	auXiliary hous.gasket	1
21	2751.096	cover	1
22	7625.010	washer diam. 8	3
23	3240.018	nut M 8	3
24	6429.033	engine mount	4
25	7565.011	washer diam.10	16
26	1780.007	bolt M 10 X 1,5 X 35	16
27	«-----»	stud	0

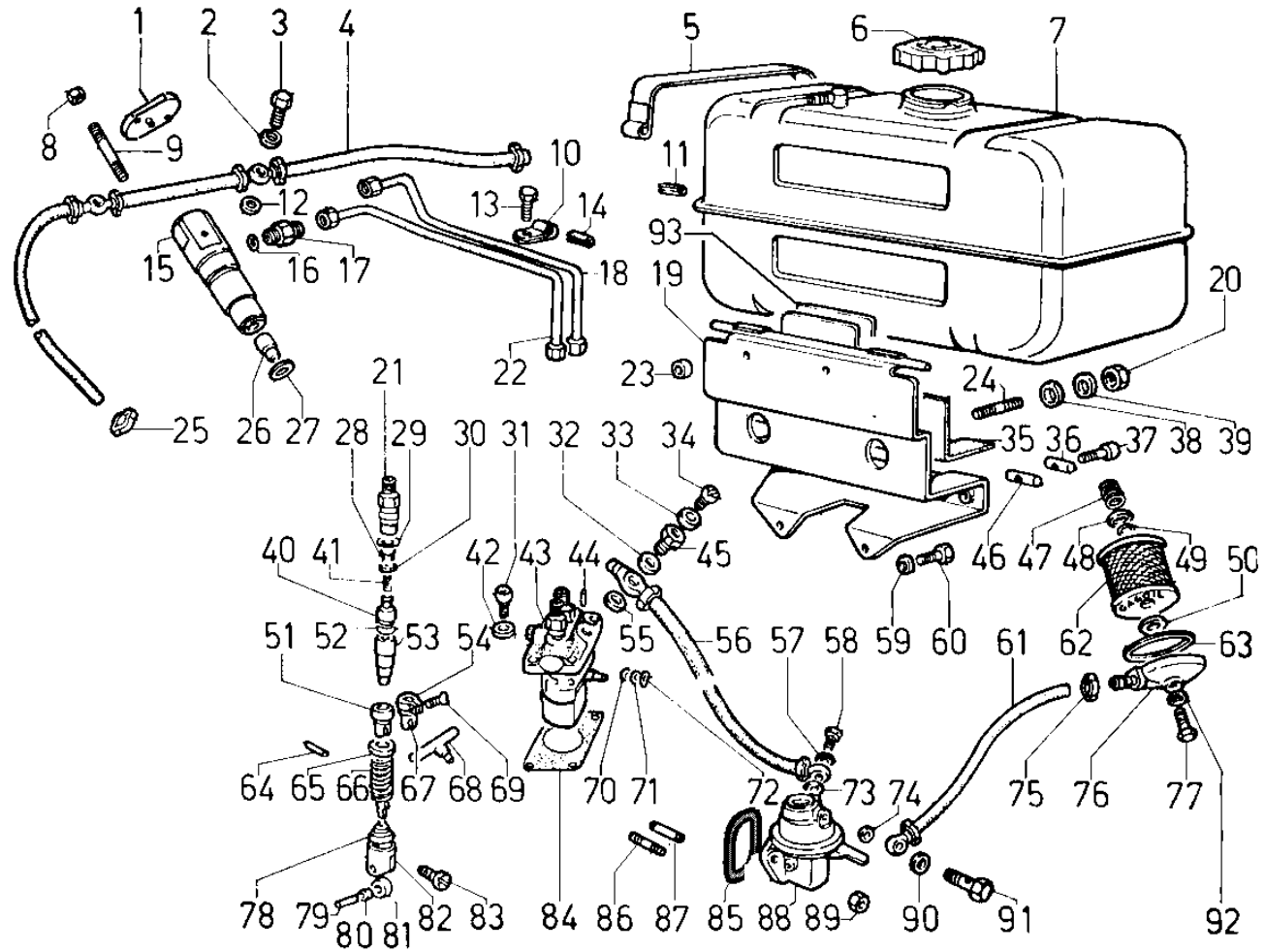
Additional Info - Engine: 10LD 400-2 Drawing: E

CRANKCASE/GEAR COVER/MOUNTS

Pos.	Old part	Serv.Lett.	Notes	S.No/Date
E 2	1510.165	1608	(Pos. 1-2-3-4-5-12-13-14-F 44-F 86) -	05.1984
	1510.169	100003	(Pos. 1-2-3-4-5-12-13-14-F 44-F 86) -	3524959
E 14		1608	- fitted from shown date	05.1984
E 19	1212.006	120007	-	3574322
E 27	6780.005	100003	- fitted until shown engine s.no	3524958

F

10LD



FUEL SYSTEM

POS.	CODE	DESCRIPTION	Qty
1	3790.074	injector top plate	2
2	4670.058	copper gasket diam. 8,2X12X1,5	2
3	1901.029	union bolt M 8	2
4	9371.101	bleeding pipe mm 745	1
5	3617.199	fix.tank clamp	2
6	9043.092	fuel tank cap	1
7	8103.046	FUEL TANK 7 lt (370X170X140)	1
8	3203.050	selflocking nut M 6	4
9	6760.045	stud M 6 X 65 (80)	4
10	3616.018	injector feed pipe saddle	2
11	9600.057	rubber spacer	4
12	4670.058	copper gasket diam. 8,2X12X1,5	2
13	1755.002	bolt M 5 X 0,8 X 12	2
14	5400.046	rubber sheathing	2
15	6615.045	NOZZLE-HOLDER Bosch	2
16	<----->	gasket	2
17	7301.006	connection	2
18	9376.060	high press.pipe	1
19	<----->	support	0
20	3240.018	nut M 8	2
21	7265.008	connection	2
22	9376.061	high press.pipe	1
23	3521.036	spacer	2
24	6780.010	stud M 8 X 22 (34)	2
25	3630.050	clamp dia 9-11	1
26	6531.104	nozzle	2
27	<----->	copper gasket 1,00	0
27	4670.065	copper gasket 1,50	2
28	7470.003	filler	2
29	1200.031	rubber oil seal	2
30	8335.029	washer seal	2
31	9730.100	screw M 8 X 25	3
32	4670.060	copper gasket diam.12	1
33	4775.196	gasket	1
34	1901.171	deaeration plug	1
35	8315.016	gasket	1
36	1557.019	drilled block	2
37	9730.139	screw M 6 X 60	2
38	7625.012	washer diam. 8,4	2
39	7565.007	washer diam. 8	2
40	9672.012	delivery valve BOSCH	2
41	5755.034	valve spring	2
42	7625.010	washer diam. 8	4
43	6590.130	injection pump	1
44	8400.048	taper pin	1
45	1901.031	union bolt M 12	1
46	1557.020	threaded block	2
47	5575.006	spring	1
48	3930.019	cup	1
49	1200.268	rubber oil seal	1
50	4490.017	gasket	1
51	4850.009	guide	1
52	4760.015	valve gasket	2

Group: 10LD
Engine: 10LD 400-2 Drawing: F

FUEL SYSTEM

POS.	CODE	DESCRIPTION	Qty
53	6578.119	injection plunger	2
54	«-----»	sector	0
55	4670.060	copper gasket diam.12	1
56	9375.351	fuel hose (mm 190)	1
57	4670.059	copper gasket diam.10	1
58	1901.030	union bolt M 10	1
59	7565.007	washer diam. 8	2
60	1770.056	bolt M 8 X 1,25 X 18	2
61	9375.276	fuel hose mm 430	1
62	2175.009	fuel filter cartridge	1
62	3730.015	FUEL FILTER	1
63	4430.071	gasket	1
65	7980.020	cup	2
66	5625.002	spring	2
67	«-----»	see Pos. F 43	0
70	1580.023	bushing	1
71	771R.001	washer diam. 5,3	1
72	2800.003	cotter pin	1
73	4670.059	copper gasket diam.10	1
75	3630.008	clamp	1
76	2605.033	filter cover	1
77	1760.162	bolt	1
78	«-----»	spring retainer bottom - see Pos. F 43	0
79	6230.068	pin	2
80	«-----»	see Pos. F 82	0
82	7215.017	tappet	2
83	6230.069	pin	1
84	4580.002	gasket 0,10	1
84	4580.009	gasket 0,50	1
84	4580.068	gasket 0,05	1
85	1200.087	O ring 3150	1
86	6780.008	stud M 8 X 20 (32)	2
87	7200.078	drive rod	1
88	6585.079	feed pump	1
89	3203.093	nut M 8	2
90	4670.059	copper gasket diam.10	1
91	1901.030	union bolt M 10	1
92	1202.052	rubber oil seal	1
93	4701.066	gasket	1

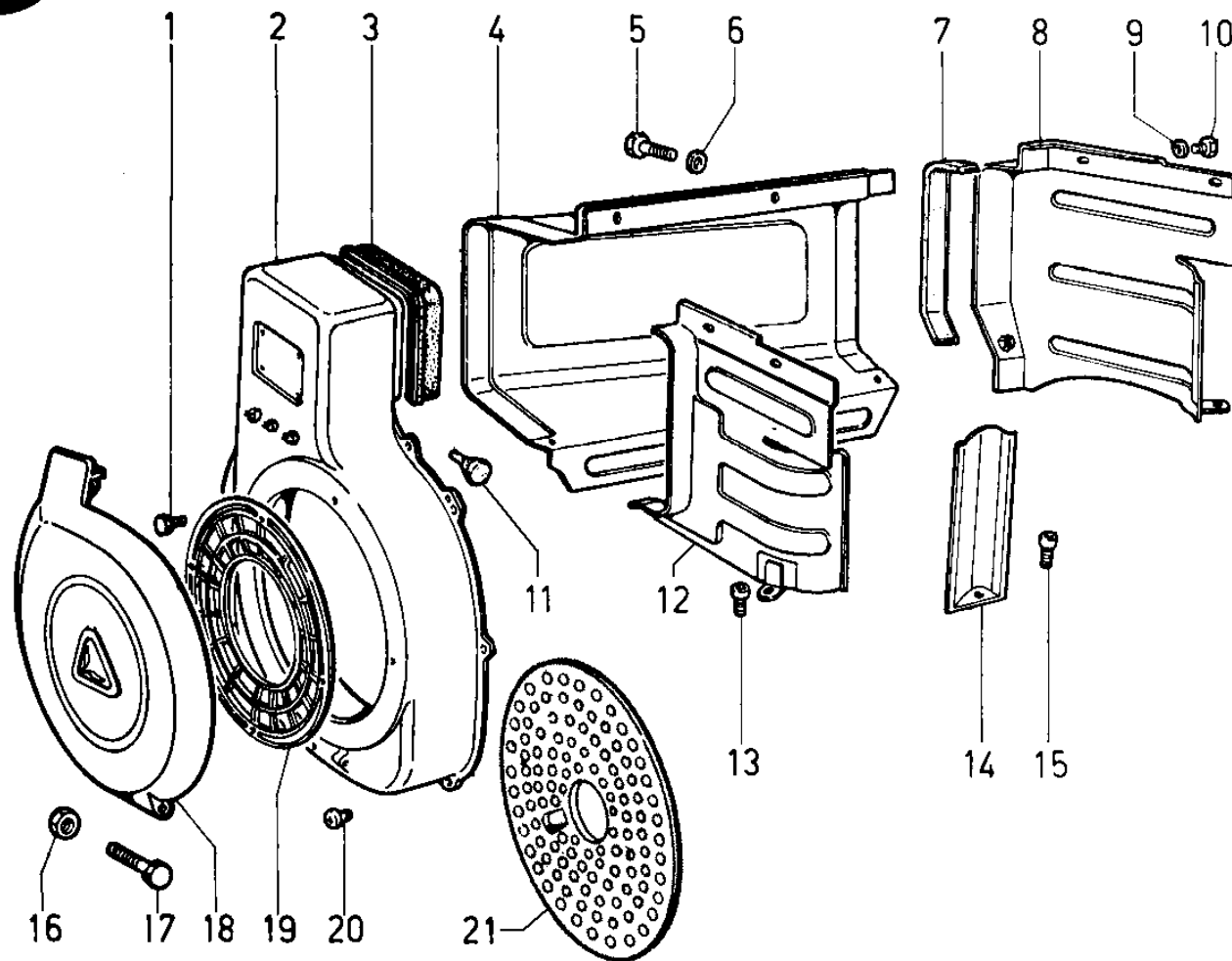
Additional Info - Engine: 10LD 400-2 Drawing: F

FUEL SYSTEM

Pos.	Old part	Serv.Lett.	Notes	S.No/Date
F 4	9571.027	1618	-	2728133
F 5	3617.062	1608	-	05.1984
F 6	9043.015	D088	-	04.2000
F 15	6615.038	1615	(Pos. 15-26) -	2558074
F 19	8866.077	1608	-	05.1984
F 26	6531.102	1615	-	2558074
F 27	4670.005	1615	-	2558074
F 27	4670.006	1615	-	2558074
F 45	1901.012	1618	-	2728133
F 56	9371.074	1618	-	2728133
F 61	9375.110	1616	-	06.1986
F 76	2605.023	1616	-	06.1986
F 85	4580.169	100003	-	3524959
	4580.170	100003	-	3524959
F 88	6585.051	100003	-	3524959

G

10LD

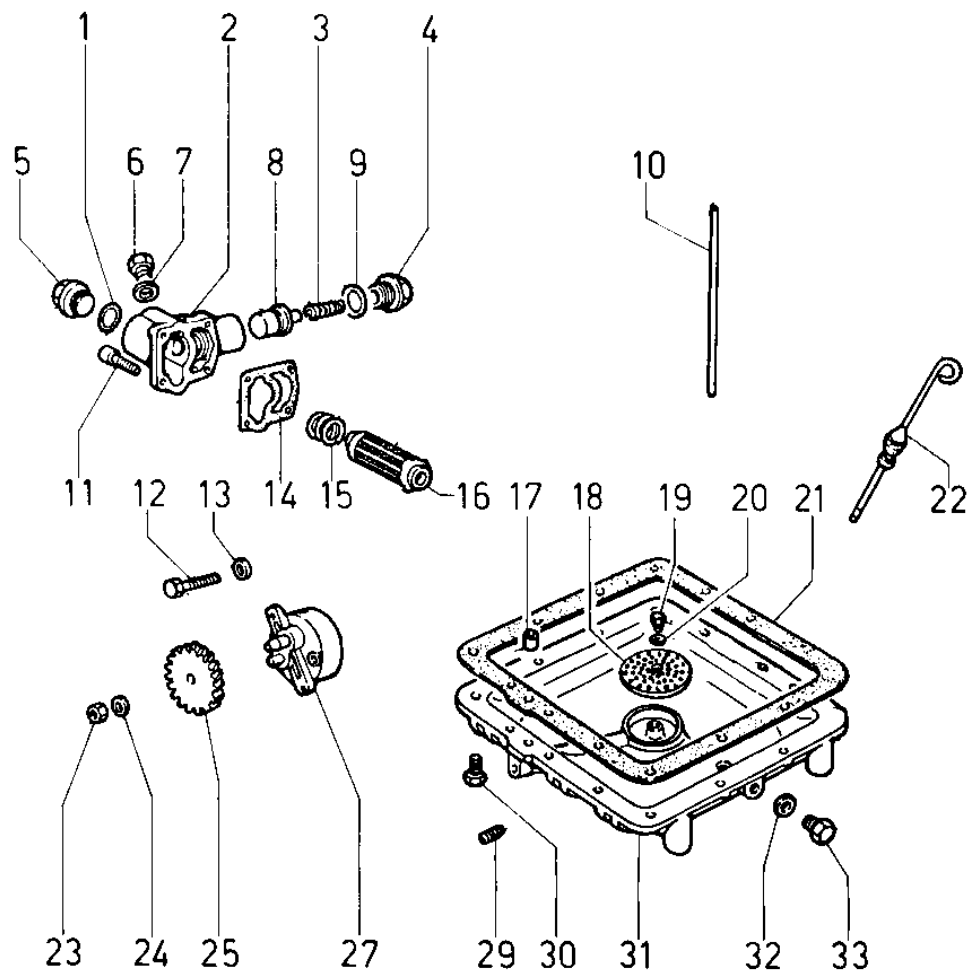


COOLING SYSTEM

POS.	CODE	DESCRIPTION	Qty
1	9790.039	screw M 6 X 12	4
2	«-----»	shroud	0
5	1770.002	bolt M 8 X 1,25 X 16	1
6	7565.007	washer diam. 8	1
7	4776.090	gasket	1
8	«-----»	denoised airtight	0
9	7555.004	washer diam. 6	2
10	1760.003	bolt M 6 X 1 X 12	2
11	3527.018	spacer	1
12	5066.079	denoised airtight	1
13	9790.039	screw M 6 X 12	7
14	«-----»	deflector	0
15	9731.092	screw M 8 X 14	1
16	3203.050	selflocking nut M 6	1
17	1760.094	bolt M 6 X 1 X 100	1
18	«-----»	pulley cover - no longer avail.	0
19	6927.056	guard	1
20	9790.039	screw M 6 X 12	7
21	5096.038	flywheel guard	1

H

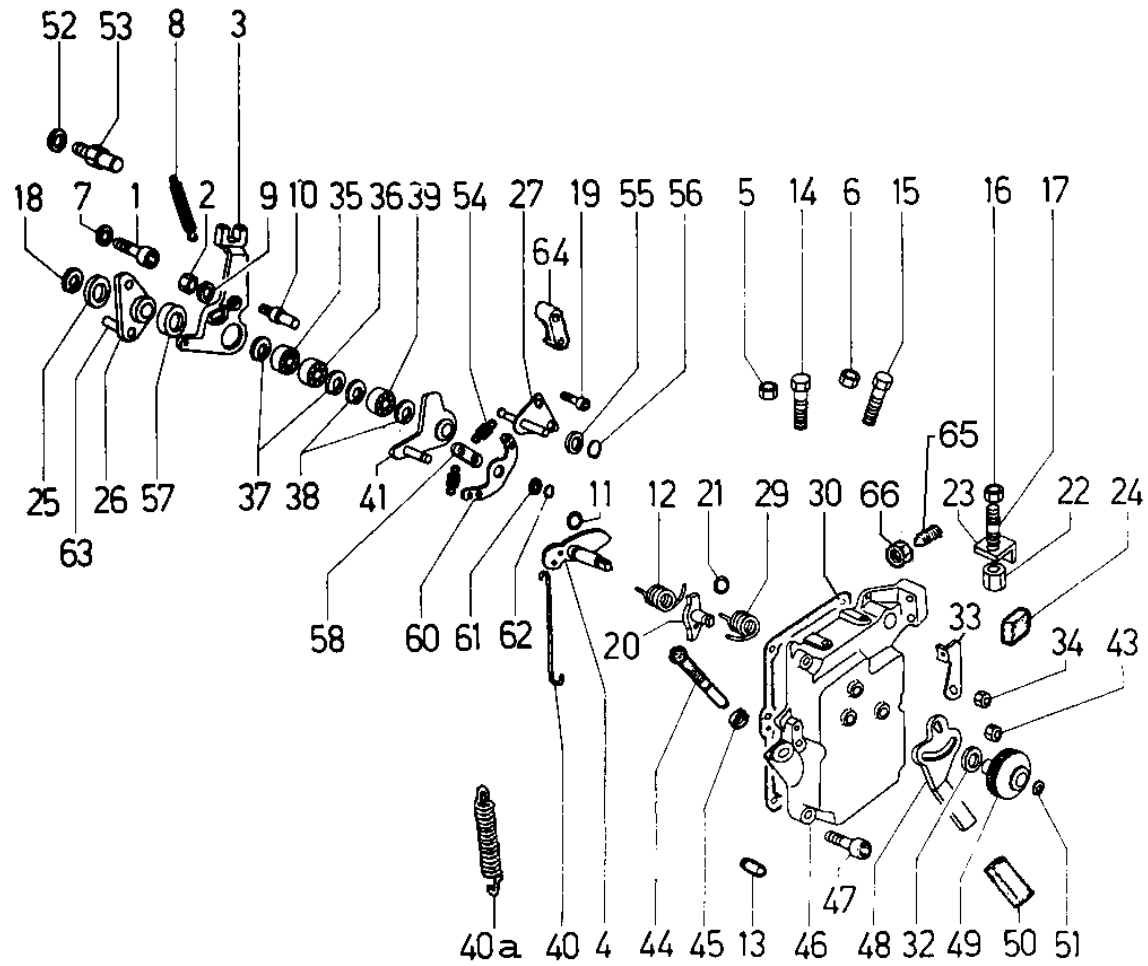
10LD



LUBRICATING SYSTEM

POS.	CODE	DESCRIPTION	Qty
1	1200.016	O ring 137	1
2	2605.019	oil filter cover	1
3	5755.049	spring	1
4	9070.012	pressure valve plug	1
5	9060.008	oil cartridge cap with M 14 hole	1
6	1770.042	bolt M 8 X 1,25 X 10	1
7	4670.058	copper gasket diam. 8,2X12X1,5	1
8	9680.013	pressure oil valve	1
9	4670.088	copper gasket 18X24X1	1
10	9455.054	lubricating pipe	2
11	9730.012	screw M 6 X 20	4
12	1770.009	bolt M 8 X 1,25 X 35	2
13	7565.007	washer diam. 8	2
14	<----->	oil filter gasket	0
15	5725.032	spring	1
16	2175.044	oil filter cartridge	1
17	8430.065	locking needle	1
18	5090.010	oil strainer	1
19	1760.001	bolt M 6 X 1 X 10	1
20	7565.004	washer diam. 6	1
21	4601.042	gasket	1
22	1400.515	dipstick std (mm 110)	1
23	3240.036	nut M 10	1
24	7565.011	washer diam.10	1
25	4936.009	oil pump drive gear	1
27	6605.037	lub.oil pump ass.y	1
28	<----->	washer	0
29	9765.108	screw M 10	1
30	1770.155	bolt M 8 X 1,25 X 30	14
31	6645.468	oil pan	1
32	4670.016	copper gasket diam.14	1
33	8965.005	oil drain plug M 14	1

10LD



CONTROLS

POS.	CODE	DESCRIPTION	Qty
1	9732.092	screw M 8 X 18	1
2	3240.008	nut M 6	1
3	<----->	operating arm	0
3	5200.605	LEVER ASS.Y(R.P.M. > 3001	1
4	5200.583	lever	1
5	3240.008	nut M 6	1
7	7625.012	washer diam. 8,4	1
8	5550.026	eXtra fuel spring	1
9	7555.004	washer diam. 6	1
10	<----->	support pin - see Pos. I 3	0
11	1200.034	O ring 105	1
12	5680.077	spring	1
13	8460.055	locating dowel	2
14	1760.041	bolt M 6 X 1 X 40	1
16	3240.018	nut M 8	1
17	6780.089	stud M 8 X 28 (45)	1
18	1165.010	circlip	1
19	9730.024	screw M 8 X 16	2
20	5200.154	pivot arm	1
21	1200.034	O ring 105	1
22	3240.131	nut	1
23	<----->	tabwasher	0
25	3527.246	spacer	1
26	<----->	governor push rod actuator	0
29	5680.077	spring	1
30	4775.526	gov. housing gasket	1
31	9730.018	screw M 6 X 45	1
32	7625.098	washer diam. 8,4	1
33	5200.108	cable adapter plate	1
34	3240.164	nut M 8	1
35	3000.004	ball bearing	1
37	<----->	circlip diam. 19 - see Pos. I 3	0
39	3000.004	ball bearing	1
40	9245.135	tie rod	1
40a	<----->	spring	0
41	5200.265	lever	1
42	6870.021	stud	1
43	3240.164	nut M 8	1
44	8576.017	EXTRA FUEL DEVICE (3600 R.p.m.)	1
44	8576.018	EXTRA FUEL DEVICE (3000 R.p.m.)	1
45	3240.058	nut	1
46	2690.287	HAND CONTROL	1
47	9732.078	screw M 6 X 25	5
48	5200.110	lever	1
49	6545.009	knob	1
50	4340.067	jacket	1
51	1240.077	snap ring	1
52	7555.004	washer diam. 6	1
53	6040.015	pin	1
54	5655.107	spring	2
55	7625.106	washer diam. 7,1	2
56	1165.010	circlip	1
57	7625.106	washer diam. 7,1	2

Group: 10LD
Engine: 10LD 400-2 Drawing: I

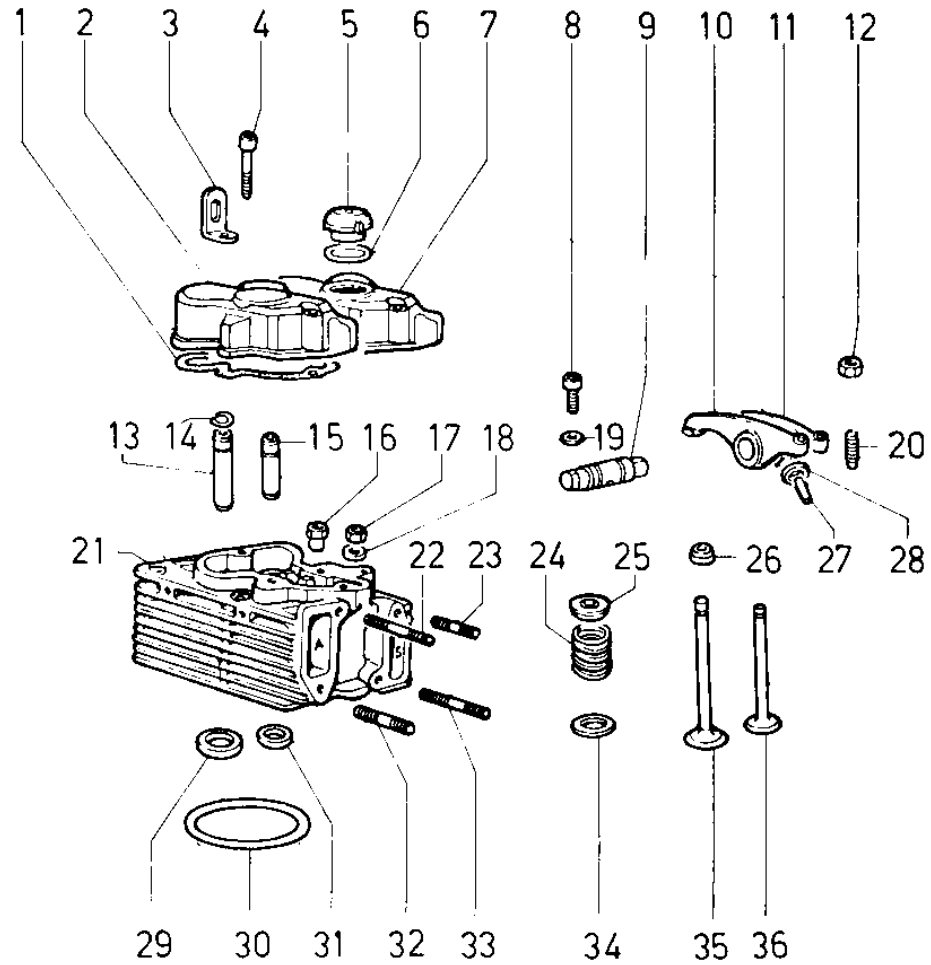
CONTROLS			
POS.	CODE	DESCRIPTION	Qty
58	6370.281	plate	1
60	1541.106	balance lever	1
61	7625.010	washer diam. 8	1
62	1165.005	circlip diam. 6	1
63	6140.370	pin	1
64	«-----»	spacer	0

Additional Info - Engine: 10LD 400-2 Drawing: I

CONTROLS				
Pos.	Old part	Serv.Lett.	Notes	S.No/Date
I 3	5200.265	100001	(Pos. 1-2-3-7-9-10-18-25-26-27-35-36-37-38-39-41-54-55-56-57-58-60-61-62-63) -	3090702
I 3	5200.161	1608	(Pos. 1-2-3-7-9-10-18-25-26-27-35-36-37-38-39-41-54-55-56-57-58-60-61-62-63) -	05.1984
I 4	5200.194	100001	-	3090702
	5200.103	1504	- old type superseded by 5200.194+5801.088	06.1983
I 8	5801.060	1504	- old type superseded by 5200.194+5801.088	06.1983
	5801.088	100001	-	3090702
I 16		1623	- fitted from shown date	04.1988
I 17		1623	- fitted from shown date	04.1988
I 18	1240.001	100001	-	3090702
I 19	9732.063	100001	-	3090702
I 22		1623	- fitted from shown date	04.1988
I 23		1623	- fitted from shown date	04.1988
I 25	7626.051	1608	-	05.1984
	7625.103	100001	-	3090702
	7625.104	100001	-	3090702
I 26	5200.155	1608	- old type superseded by 5200.265	05.1984
	5200.250	100001	-	3090702
I 27	8785.063	1608	- old type superseded by 5200.265	05.1984
	8785.070	100001	-	3090702
I 28	3521.038	100001	- fitted until shown engine s.no	3090701
I 35	1971.040	1608	- fitted from shown date	05.1984
I 36		1608	- fitted from shown date	05.1984
I 37		1608	- fitted from shown date	05.1984
	100001	-	3090702
I 38		1608	- fitted from shown date	05.1984
	100001	-	3090702
I 39		1608	- fitted from shown date	05.1984
I 40	5655.076	100001	-	3090702
I 40a	5655.076	100001	- still supplied on gen sets and compressors (Wacker and Kaeser versions eXcluded)	3090702
I 41	5200.152	1608	-	05.1984
	5200.271	100001	- (see Pos. I 3)	3090702
I 44	8576.015	1606	(Pos. 44-45) -	07.1983
I 44	8576.006	1606	(Pos. 44-45) -	07.1983
I 46	2516.060	100001	(Pos. 4-5-6-11-12-14-15-20-21-29-32-33-34-42-43-46-48-49-50-51) -	3090702
I 52		100001	- starting from shown engine s.no	3090702
I 53		100001	- starting from shown engine s.no	3090702
I 54		100001	- starting from shown engine s.no	3090702
I 55		100001	- starting from shown engine s.no	3090702
I 56		100001	- starting from shown engine s.no	3090702
I 57		100001	- starting from shown engine s.no	3090702
I 58		100001	- starting from shown engine s.no	3090702
I 60		100001	- starting from shown engine s.no	3090702
I 61		100001	- starting from shown engine s.no	3090702
I 62		100001	- starting from shown engine s.no	3090702
I 63		100001	- starting from shown engine s.no	3090702
I 64	3521.038	100001	- still supplied on gen sets and compressors (Wacker and Kaeser versions eXcluded)	3090702
I 65	9765.122	1623	- fitted until shown engine s.no	04.1988
I 66	3240.008	1623		

L

10LD



CYLINDER HEAD/ROCKER ARM BOX/VALVES

POS.	CODE	DESCRIPTION	Qty
1	4400.061	rocker cov.gasket 0,80	2
2	2125.339	rocker arm cover	1
3	8506.003	engine lifting eye	2
4	9732.075	screw M 8 X 50	4
5	9032.064	FILLER OIL CAP	1
6	1200.015	O ring 137 for filler oil cap	1
7	2125.093	rocker arm cover with hole for oil filler	1
8	9730.100	screw M 8 X 25	4
9	6045.040	rocker arm shaft	2
10	4330.036	ROCK.ARM ASS.Y std	2
11	<----->	see Pos. 10	0
12	3240.010	nut M 7	4
13	<----->	inlet v.guide +0,50	0
13	4845.182	inlet v.guide std.	2
14	1160.021	circlip	4
15	<----->	eXhaust v.guide +0,50	0
15	4845.178	eXhaust v.guide std.	2
16	3300.227	elongated nut	2
17	3240.124	nut	8
18	<----->	washer diam.10,5	0
19	7565.007	washer diam. 8	4
20	9850.002	rocker arm adjuster	4
21	<----->	CYLINDER HEAD ASS.Y	0
22	6780.084	stud M 8 X 40 (52)	2
24	5755.004	valve spring	4
25	6410.018	retainer with half-collets	4
26	2135.072	cap	2
27	9455.053	rocker shaft lub.pipe	2
28	1350.011	ring	2
29	<----->	inlet v.seat	0
30	4730.089	head gasket 0,60	2
30	4730.092	head gasket 0,90	2
30	4730.186	head gasket 0,55	2
30	4730.187	head gasket 0,65	2
30	4730.188	head gasket 0,75	2
30	4730.189	head gasket 0,85	2
30	4730.190	head gasket 0,95	2
31	8000.037	eXhaust v.seat	2
32	6780.030	stud M 8 X 70 (82)	2
33	6780.086	stud M 8 X 65 (77)	2
34	3430.067	spring seat (bottom)	4
35	9652.036	intake valve	2
36	9685.046	eXhaust valve	2
37	1213.338	seal ring for valve	2

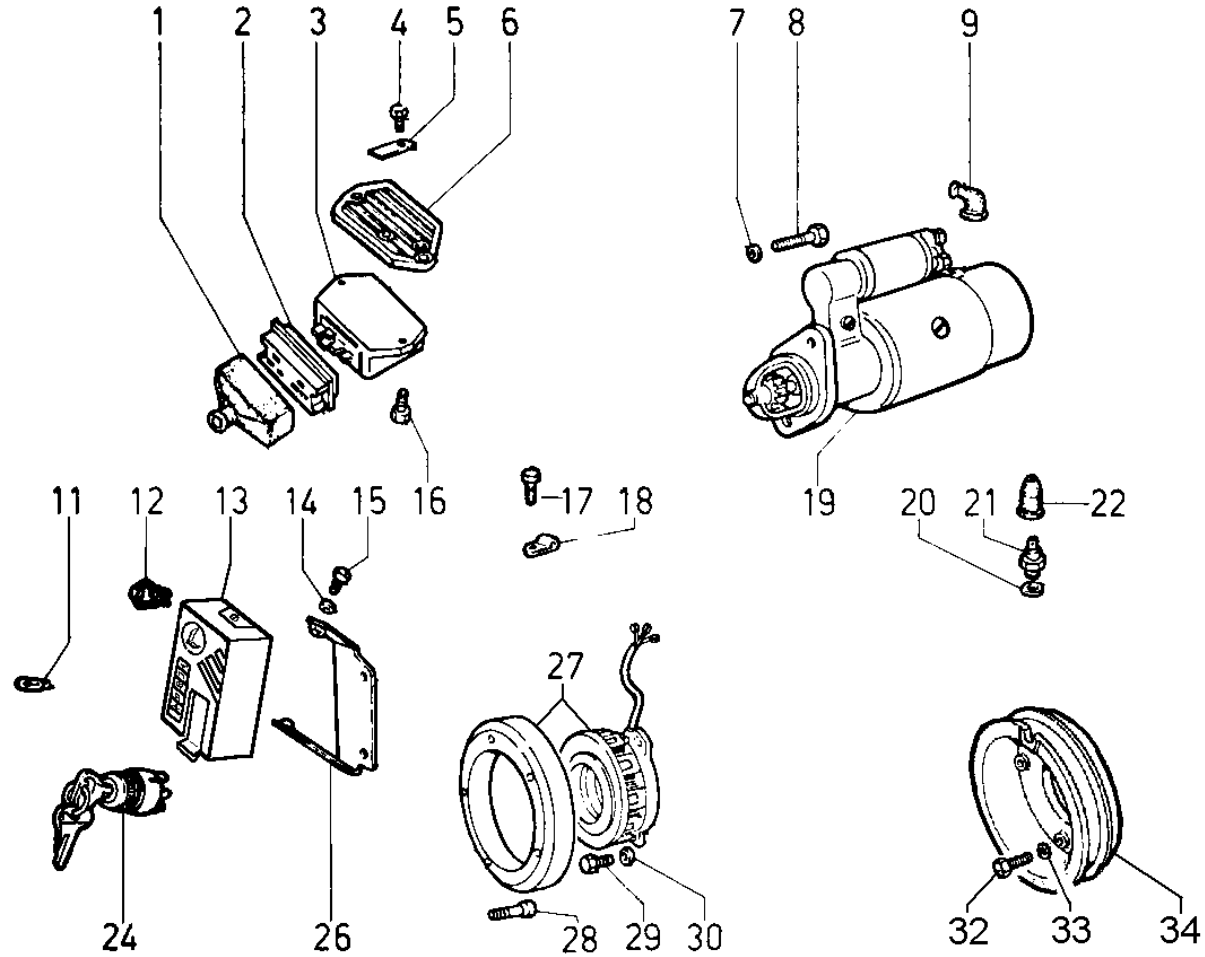
Additional Info - Engine: 10LD 400-2 Drawing: L

CYLINDER HEAD/ROCKER ARM BOX/VALVES

Pos.	Old part	Serv.Lett.	Notes	S.No/Date
L 9	6045.036	1614	-	03.1985
L 13	4845.084	1624	-	04.1988
L 13	4845.081	1624	-	04.1988
L 15	4845.076	1625	-	04.1988
L 15	4845.076	1625	-	04.1988
L 28		1614	-	03.1985
L 30		1608	- fitted from shown date	05.1984
L 30		1608	- fitted from shown date	05.1984
L 30		1608	- fitted from shown date	05.1984
L 30		1608	- fitted from shown date	05.1984
L 30		1608	- fitted from shown date	05.1984

M

10LD



STARTING

POS.	CODE	DESCRIPTION	Qty
1	2145.014	regulator cap	1
2	6740.153	inlet regul.Saprisa	1
2	6740.154	inlet regul.Ducati	1
3	7362.228	voltage regulator. 12V 14/26A-6 contacts for alternator 3 wires	1
4	1760.003	bolt M 6 X 1 X 12	1
5	5168.023	tabwasher	1
6	8300.048	bracket	1
7	7565.011	washer diam.10	2
8	9730.045	screw M 10 X 30	2
9	6491.005	pipe elbow	1
10	<----->	lampe-socket - no longer avail.	0
11	5175.162	lamp 12V	2
12	7195.056	push button	1
13	2900.110	dashboard 2 lights	1
14	7625.092	washer diam. 6,5	2
15	1760.005	bolt M 6 X 1 X 16	2
16	9732.092	screw M 8 X 18	4
17	1770.001	bolt M 8 X 1,25 X 12	1
18	3617.045	clamp	1
19	5840.223	starting motor 12 V 1,8 KW	1
20	4670.014	copper gasket diam.12	1
21	6745.050	oil switch 0,3 bar (M 12)	1
22	6491.013	pipe elbow	1
23	<----->	lampe-socket	0
24	5041.020	key switch	1
25	<----->	switch cover	0
26	8506.026	bracket	1
27	1157.153	volt.alternator 12V 12A - 3 wires	1
28	9730.015	screw M 6 X 30	5
29	1760.003	bolt M 6 X 1 X 12	4
30	7565.004	washer diam. 6	4
32	1770.009	bolt M 8 X 1,25 X 35	4
33	7565.007	washer diam. 8	4
34	6961.061	start pulley	1

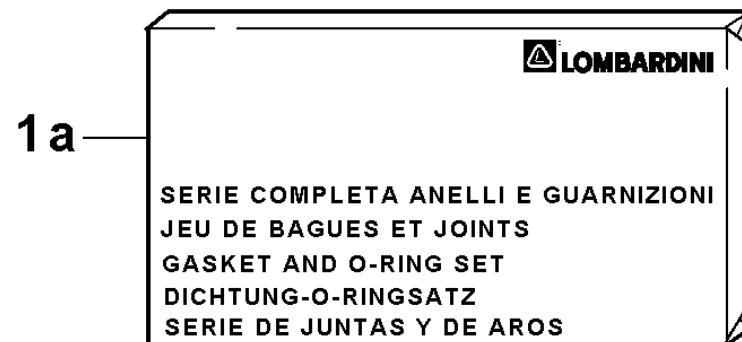
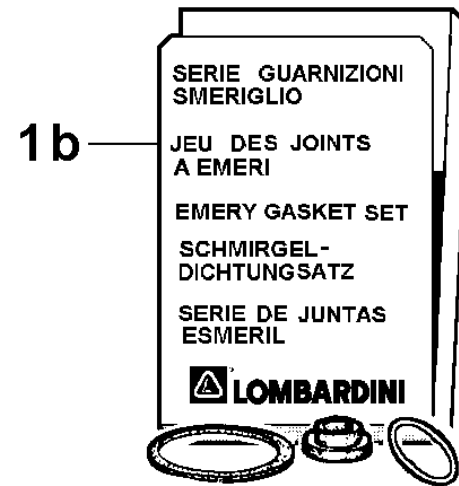
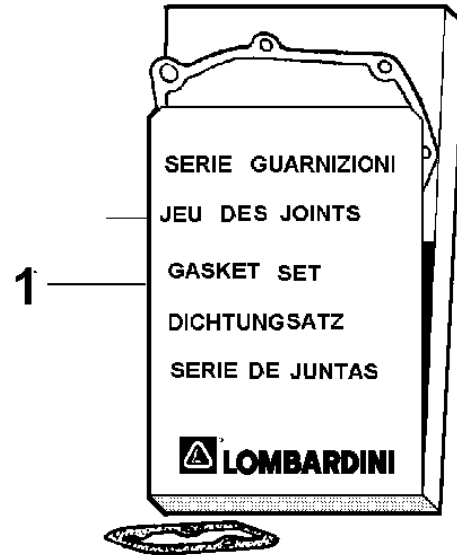
Additional Info - Engine: 10LD 400-2 Drawing: M

STARTING

Pos.	Old part	Serv.Lett.	Notes	S.No/Date
M 2	6740.088	5149	-	12.1988
M 2	6740.090	5149	-	12.1988
M 3	7362.066	5149	-	12.1988
M 10	6612.063	D050	- fitted until shown date	02.1993
M 11	5175.119	D050	-	02.1993
M 13	2900.072	D050	-	02.1993
M 19	5840.065	1612	- substitution	2563625
M 22		5089	- fitted from shown date	11.1984
M 23	6612.064	D050	- fitted until shown date	02.1993
M 25	2750.111	D050	- fitted until shown date	02.1993
M 27	1156.090	5149	-	12.1988
M 34	6961.042	1617	-	2703736

N

10LD





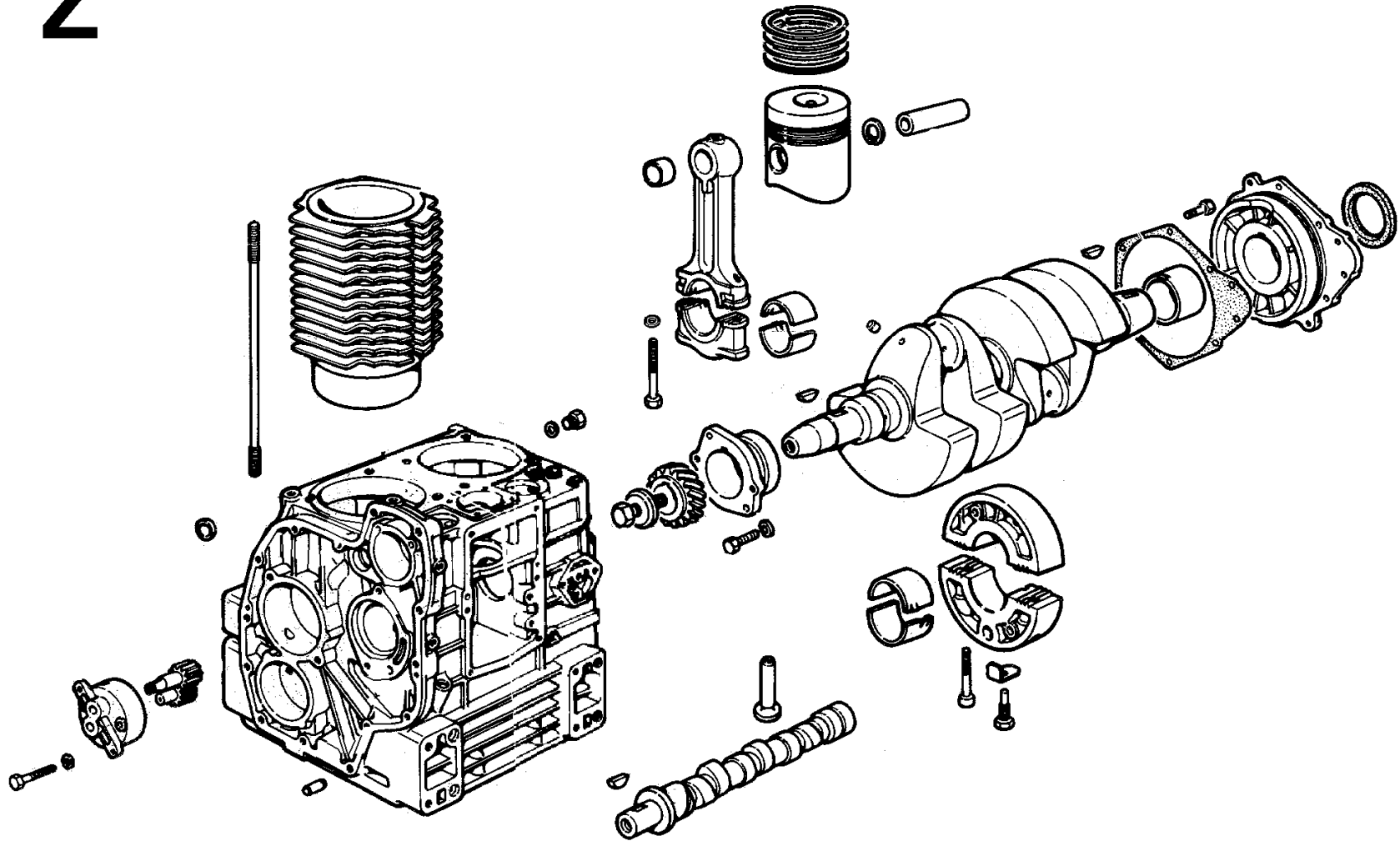
Group: 10LD
Engine: 10LD 400-2 Drawing: N

GASKET/RING SET

POS.	CODE	DESCRIPTION	Qty
1	«-----»	GASKET SET - see Pos. N 1a	0
1a	8205.102	RING AND GASKET COMPLETE SET	1
1b	«-----»	EMERY GASKET SET - see Pos. N 1a	0
2	8150.015	O RING SET	1

Z

10LD





Group: 10LD
Engine: 10LD 400-2 Drawing: Z

SHORT BLOCK

POS.	CODE	DESCRIPTION	Qty
1	«-----»	short block	0

