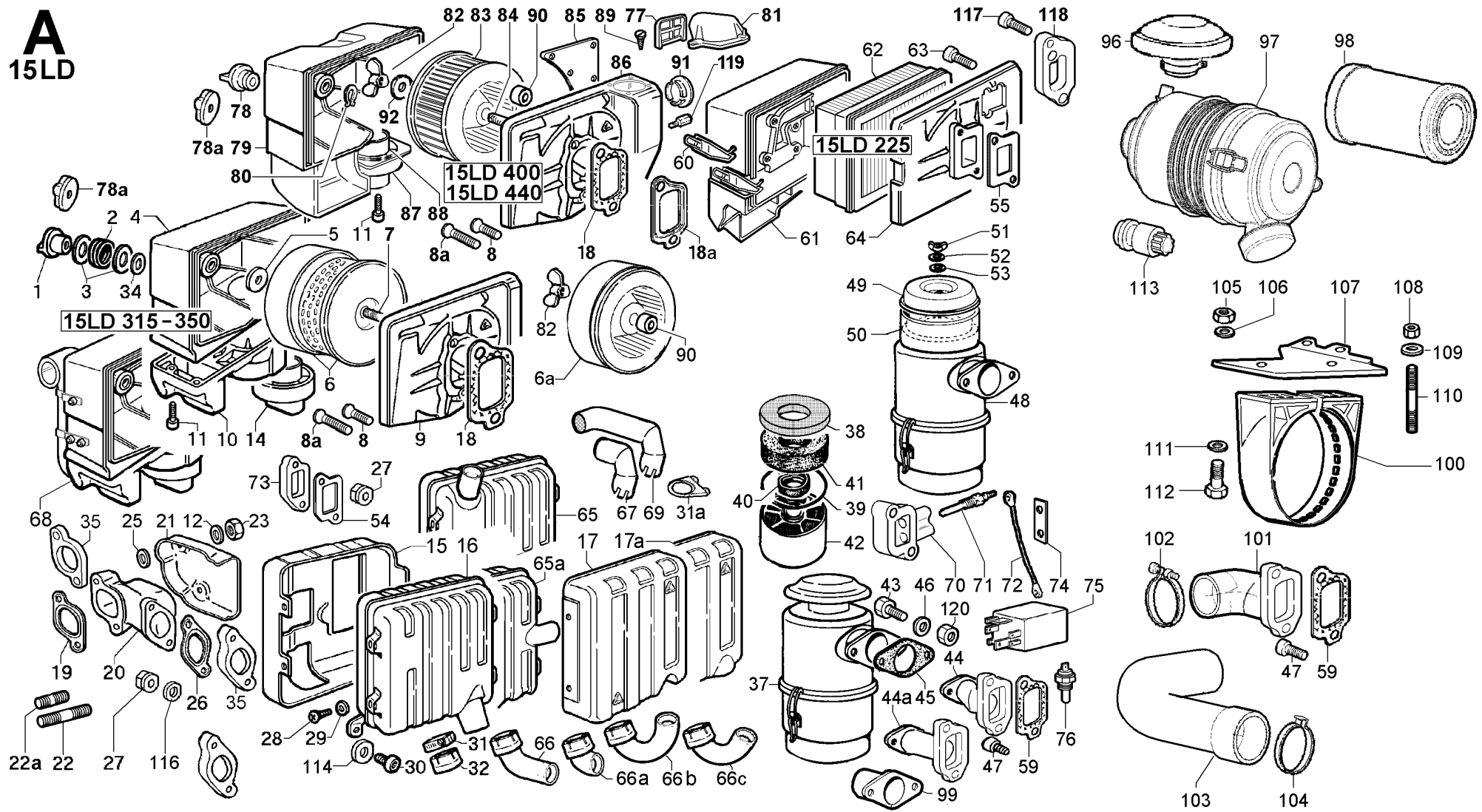


A
15LD



INTAKE AND EXHAUST

POS.	CODE	DESCRIPTION	Qty
8	9800.055	screw M 8 X 30	2
11	9820.172	self-tapping screw 4 X 20	4
12	4480.003	fibre gasket	2
15	6927.318	muffler guard (inlet side)	1
16	5460.464	MUFFLER ASS.Y	1
17	6927.319	muffler guard (outlet side)	1
17a	«-----»	muffler guard (outlet side) - not avail.	0
18a	4490.096	air cleaner gasket	1
19	4501.101	gasket	1
20	2486.400	ehxhaust manifold	1
21	6927.484	exh.manif.guard	1
22	6780.084	stud M 8 X 40 (52)	2
22a	6780.012	stud M 8 X 25 (37)	2
23	3240.172	nut M 8	2
25	4480.003	fibre gasket	4
26	4501.101	gasket	1
27	3240.165	nut M 8	2
28	9790.037	screw M 6 X 8	4
29	7555.027	washer diam. 6,4	4
30	9732.074	screw M 8 X 20	1
31	3630.194	clamp diam.20-32	1
31a	3630.169	clamp diam. 35	1
32	9602.151	spark arrestor guard	1
35	3815.079	exhaust flange	1
37	3700.373	air cleaner diam. 122 with 3 filt.elements	1
38	5496.334	filt.element diam.118	1
39	1261.072	seal ring h=17,6 d=54	1
40	4775.120	gasket h=10 d=135	1
41	5496.333	filt.element diam.124	1
42	5496.071	filt.element h.90 diam.120	1
43	1770.005	bolt M 8 X 1,25 X 22	2
44	3902.326	flange	1
44a	6902.194	air filter extension	1
45	4500.067	gasket	1
46	7565.007	washer diam. 8	2
47	9732.074	screw M 8 X 20	2
48	3700.374	air cleaner diam. 122 with 3 filt.elements	1
49	2125.055	prefilter cap	1
50	1301.053	cyclonic prefilter (Ø 120)	1
51	3200.002	wing nut M 6	1
52	7625.092	washer diam. 6,5	1
53	4775.137	gasket	1
59	4490.093	air cleaner gasket	1
65	5460.613	upward muff	1
65a	5460.623	SIDE EXHAUST MUFFLER	1
66a	9170.104	exhaust pipe with spark arrester	1
66a	9170.109	raider exhaust pipe	1
66b	9170.107	exhaust pipe	1
66c	9170.112	exhaust pipe	1
71	2100.074	preheating glow plug 24 V	2
71	2100.089	preheating glow plug 12 V	2
72	2185.548	glow plug wire	1
74	6370.323	glow plug plate	1

Group: 15LD
Engine: 15LD 400 Drawing: A

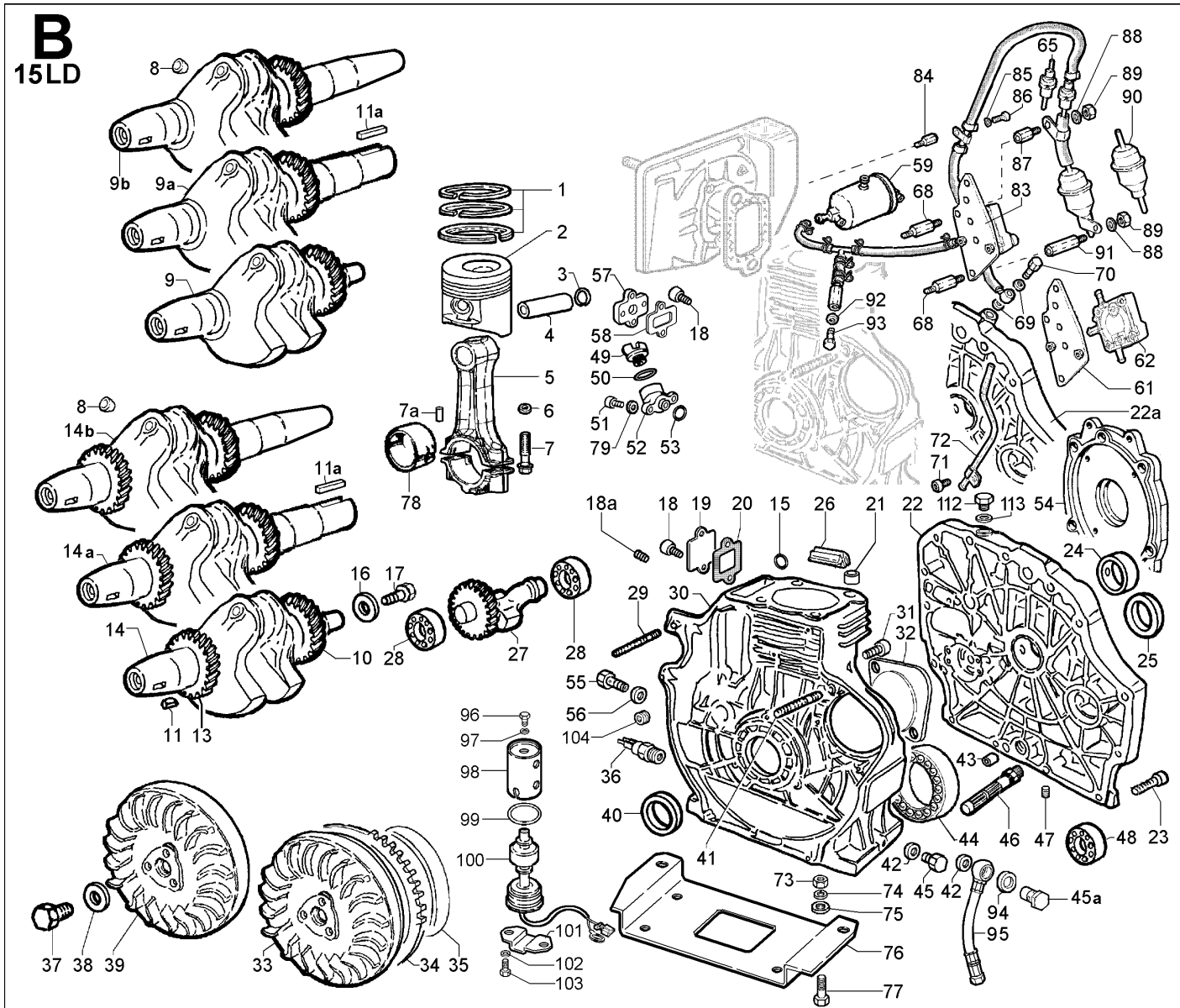
INTAKE AND EXHAUST

POS.	CODE	DESCRIPTION	Qty
75	2193.106	contr box 24V	1
76	9195.094	sensor M 14 (12-24V) for preheating plug control box	1
77	6927.493	air inlet guard	1
78	6560.039	air cleaner cover fixing knob	1
78a	<----->	air cleaner cover fixing knob	0
79	2750.452	dry air cleaner cover	1
79	2750.455	DRY AIR CLEANER COVER ASS.Y	1
80	1241.067	snap ring	1
81	2940.101	inlet air elbow	1
82	3200.024	wing nut	1
83	2175.223	air clean.cartridge	1
84	6760.043	stud M 6 X 35	1
85	2836.340	air cleaner body	1
86	8741.206	AIR CLEANER SUPPORT ASS.Y	1
86	8741.207	AIR CLEANER SUPPORT ASS.Y fitted for glow plug	1
86	8741.212	AIR CLEANER SUPPORT ASS.Y for oil alert device	1
86a	<----->	bare support no longer avail. - see Pos. A 86	0
87	6727.051	prefilter holder	1
88	6727.052	cyclonic prefilter	1
89	9820.168	self-tapping screw 3,9 X 9,5	13
90	4490.092	joint	1
91	<----->	plug - see Pos. A 9/A 86	0
96	2136.072	filter cap (4'' air cleaner)	1
97	3700.369	dry air cleaner 4''	1
98	2175.166	air cleaner cartridge 4''	1
99	3781.021	air filter flange	1
100	8545.551	bracket diam.129 for air cleaner 4''	1
113	8345.067	closing indicator	1
114	7500.020	washer diam. 8,4	1
116	7625.010	washer diam. 8	2
119	<----->	see Pos B 84	0
120	3240.018	nut M 8	2

Additional Info - Engine: 15LD 400 Drawing: A

INTAKE AND EXHAUST

Pos.	Old part	Serv.Lett.	Notes	S.No/Date
A 18	4490.093	150036	-	5183896
A 18a		150036	-	5183897
A 65	5460.477	150034	-	5093437
A 65a	5460.580	150034	Pos. 15-17a-28-29-65a - old type supplied with muffler guards	5093437
A 78		150036	-	5183897
A 78a		150016	- starting from shown engine s.no	4748671
	6560.040	150036	-	5183896
A 79	2750.378	150016	-	4748671
	2750.390	150036	-	5183897
A 79	2750.407	150036	Pos. A11-A79-A87-A88 -	5183897
A 80		150036	-	5183897
A 83	2175.215	150016	-	4748671
A 84	6760.111	150036	-	5183897
A 86	8741.186	150036	Pos. A77+A81+A85+A86+A91 - to replace old type use 874 1.206+4490.093	5183897
A 86	8741.187	150036	Pos. A77+A81+A85+A86+A91 -	5183897
A 86a	8741.174	150036	-	5183896
A 90		150016	-	4748671
A 92	7626.001	150016	-	4748670



CONN.ROD/PISTON/CRANKSHAFT/FLYWHEEL/CRANKCASE/FLANGING

POS.	CODE	DESCRIPTION	Qty
1	8211.239	ring set std.	1
1	8211.240	ring set +0,50	1
1	8211.241	ring set +1,00	1
2	6502.188	PISTON SET std	1
2	6502.189	PISTON SET +0,50	1
2	6502.190	PISTON SET +1,00	1
2	6502.191	PISTON SET std (EPA)	1
3	1160.065	circlip	2
4	8480.103	gudgeon pin	1
5	«-----»	CONNECT.ROD -0,25	0
5	1526.264	CONNECT.ROD (steel)	1
7	1770.177	connecting rod bolt	2
7a	7770.256	roller 3 X 5	2
8	9080.132	plug diam. 6	1
9	1051.229	CONICAL PTO CRANKSHAFT without equalizer device	1
9b	1051.226	"CRANKSHAFT Ext 6 SAE Ø 1" without equalizer device for steel	1
10	«-----»	see Pos. 9/14	0
11	2280.067	key 5 X 7,5 X 19	1
11a	2280.050	key 6,32 x 6,32 x 60	1
13	«-----»	see Pos.14	0
14	1051.230	CONICAL PTO CRANKSHAFT with equalizer device	1
14b	1051.228	"crankshaft Ext 6 SAE + Ø 1" with equalizer device"	1
15	1200.035	O ring 107	1
16	7625.060	washer diam. 8,4	1
17	1770.039	bolt M 8 X 1,25 X 28	1
18	9730.024	screw M 8 X 16	2
18a	9080.270	threaded plug M 8	3
19	3800.037	flange	1
20	4400.075	gasket	1
21	1970.140	sleeve	2
22	6645.712	CRANKCASE COVER	1
22	6645.714	CRANKCASE COVER B&S and SAE J 609 B	1
22a	6645.661	CRANKCASE COVER for oil alert device	1
22a	6645.715	CRANKCASE COVER B&S and SAE J 609 B for oil alert device	1
23	9730.031	screw M 8 X 40	15
24	1611.209	bearing std.	1
24	1611.210	bearing -0,25	1
24	1611.211	bearing -0,50	1
24	1611.212	bearing -1,00	1
25	1213.390	seal ring 30X50X7	1
25	1213.505	double lip type seal ring 30X50X7	1
26	4775.588	gasket	1
27	1111.267	equalizer shaft	1
28	3002.077	equalizer shaft ball bearing	2
29	6780.180	stud M 8 X 67	1
30	1510.957	crankcase (fitted for feed pump and el.starting)	1
30	1510.958	crankcase with side filler oil starting motor side (for feed pum	1
30	1510.959	crankcase with side filler oil on feed pump flange (for el.st.)	1
30	1511.135	crankcase (fitted for feed pump, el.starting and oil alert devi	1
30	1511.137	crankcase with side filler oil starting motor side (for feed pu	1
33	9881.359	FLYWHEEL with CROWN	1
33	9881.360	FLYWHEEL ASS.Y with crown and plastoferrite rotor 12V 12/20A	1
33	9881.445	FLYWHEEL with CROWN and CERAMIC VOLT.ROTOR	1

Group: 15LD
Engine: 15LD 400 Drawing: B

CONN.ROD/PISTON/CRANKSHAFT/FLYWHEEL/CRANKCASE/FLANGING

POS.	CODE	DESCRIPTION	Qty
34	2816.204	crown gear Z=94	1
35	«-----»	see Pos. F 40	0
37	1800.030	bolt M 14 X 35 sin.	1
38	7626.043	washer diam.14,5	1
39	9881.308	flywheel std.	1
40	1213.396	seal ring 40X55X7	1
41	6780.180	stud M 8 X 67	1
42	4350.007	gasket	2
43	1970.338	bushing	2
44	3002.081	ball bearing 6308-C3	1
45	9040.012	plug M 14	2
46	3740.109	suction oil filter	1
47	9765.108	screw M 10	2
47	9765.162	screw M 10 X 1	2
48	«-----»	see Pos. 28	0
49	9032.086	filler oil cap	1
50	1200.082	O ring 3106	1
51	9730.010	screw M 6 X 16	2
52	1570.059	oil filler	1
53	1201.084	O ring 2093	1
55	1901.169	oil pressure adjuster screw M 10	1
56	4670.059	copper gasket diam.10	1
57	3800.064	flange for side filler oil	1
58	4400.078	joint	1
59	«-----»	see Pos.E 28b	0
61	8510.157	bracket	1
62	6585.138	pressure pump for oil alert device	1
65	9700.123	no back valve	1
68	2501.146	hollowstud	2
69	4670.059	copper gasket diam.10	2
70	1901.030	union bolt M 10	1
71	9732.084	screw M 6 X 12	1
72	9400.157	oil pipe to drive pressure pump for oil alert device	1
78	«-----»	big end bushing -0,50	0
78	1640.122	big end bushing std.	1
78	1640.123	big end bushing -0,25	1
79	7625.007	washer diam. 6	2
83	3440.058	oil alert device	1
84	1862.149	hollowstud	1
85	771R.001	washer diam. 5,3	1
86	9730.003	screw M 5 X 10	1
87	326R.095	hollowstud	1
88	7625.007	washer diam. 6	2
89	3240.008	nut M 6	2
90	3730.098	fuel filter	1
91	2501.158	hollowstud	1
92	4670.001	copper gasket diam. 6,2 X 10 X 1	1
93	1901.171	deaeration plug	1
96	1755.001	bolt M 5 X 0,8 X 8	1
97	7565.003	washer diam. 5	1
98	6927.372	guard	1
99	1200.016	O ring 137	1
100	3440.052	oil alert device	1

Group: 15LD

Engine: 15LD 400 Drawing: B

CONN.ROD/PISTON/CRANKSHAFT/FLYWHEEL/CRANKCASE/FLANGING

POS.	CODE	DESCRIPTION	Qty
101	6370.631	plate	1
102	7625.007	washer diam. 6	2
103	1760.003	bolt M 6 X 1 X 12	2
104	9765.111	threaded plug	1

Additional Info - Engine: 15LD 400 Drawing: B

CONN.ROD/PISTON/CRANKSHAFT/FLYWHEEL/CRANKCASE/FLANGING

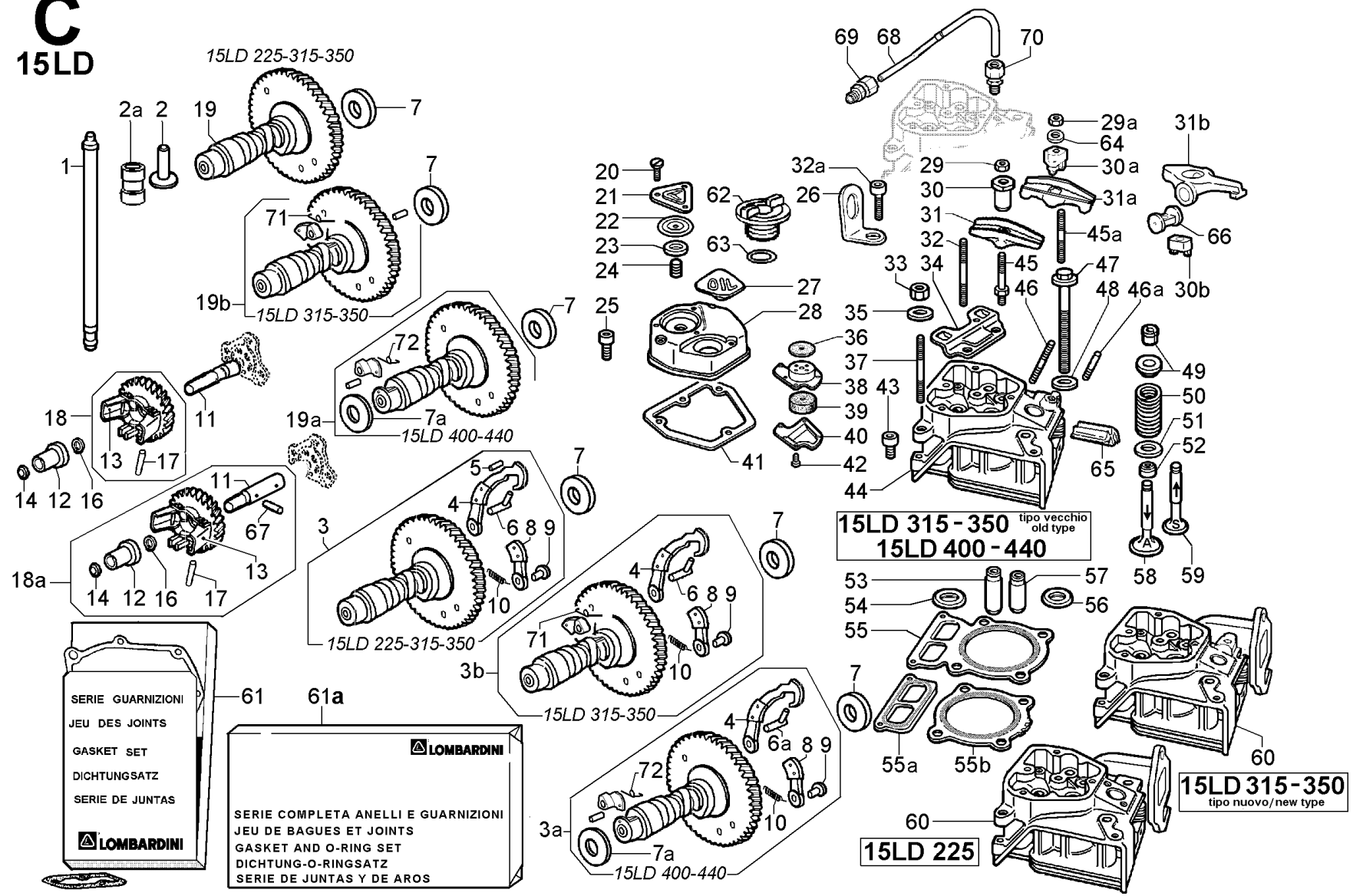
Pos.	Old part	Serv.Lett.	Notes	S.No/Date
B 2	6501.769	150041	Pos. 1-2-3-4 -	5231287
B 2	6501.770	150041	Pos. 1-2-3-4 -	5231287
B 2	6501.771	150041	Pos. 1-2-3-4 -	5231287
B 2	6501.977	150041	Pos. 1-2-3-4 -	5229302
B 5	1526.251	150032	Pos. 5-7 - fitted until shown engine s.no	5060922
	1526.250	150032	Pos. 5-7 - fitted until shown engine s.no	5060922
B 5	1526.249	150032	Pos. 5-7-7a - substitution	5060923
B 7	1770.101	150032	- in preproduction series was fitted the bolt M 8 X 1 X 45 (1770.109)	5060923
B 7a		150032	-	5060923
B 9	1051.141	150032	Pos. 8-9-10-11 -	5060923
B 9b	1051.206	150032	Pos. 8-9b-10-11 -	5060923
B 14	1051.130	150032	Pos. 8-10-11-13-14 -	5060923
B 14b	1051.207	150032	-	5060923
B 22a		150042	Pos. 22a-24 std-47 -	5198144
B 22a		150042	Pos. 22a-24 std-47 -	5198144
B 27	1111.216	150032	-	5060923
B 30	1510.867	150020	-	4699858
B 30	1510.883	150020	-	4699858
B 30	1510.886	150020	-	4699858
B 30		IT0091	-	5213041
B 30		IT0091	-	5213041
B 61		150042	-	5198144
B 62		150042	-	5198144
B 65		150042	-	5198144
B 68		150042	-	5198144
B 69		150042	-	5198144
B 70		150042	-	5198144
B 71		150042	-	5198144
B 72		150042	-	5198144
B 78		150032	-	5060922
B 78		150032	-	5060922
B 78		150032	-	5060922
B 83		150042	-	5198144
B 84		150042	-	5198144
B 85		150042	-	5198144
B 86		150042	-	5198144
B 87		150042	-	5198144
B 88		150042	-	5198144
B 89		150042	-	5198144
B 90		150042	-	5198144
B 91		150042	-	5198144
B 92		150042	-	5198144
B 93		150042	-	5198144
B 96		IT0091	-	5213041
B 97		IT0091	-	5213041
B 98		IT0091	-	5213041
B 99		IT0091	-	5213041
B100		IT0091	-	5213041
B101		IT0091	-	5213041
B102		IT0091	-	

Additional Info - Engine: 15LD 400 Drawing: B

CONN.ROD/PISTON/CRANKSHAFT/FLYWHEEL/CRANKCASE/FLANGING

Pos.	Old part	Serv.Lett.	Notes	S.No/Date
			-	5213041
B103		IT0091	-	5213041

C 15LD



CYLINDER HEAD/ROCKER ARM BOX/VALVES/TIMING/SPEED GOVERNOR

POS.	CODE	DESCRIPTION	Qty
1	1410.165	push rod	2
2a	7215.113	hydraulic push rod	2
3	<----->	CAMSHAFT ASS.Y with compr.rel.	0
3a	1011.659	CAMSHAFT ASS.Y with antireverse compr.rel.	1
4	<----->	see pos. 3	0
6a	1015.077	compression shaft	1
7	1301.245	thrust washer diam.28,8X16X0,5	1
7a	1301.354	thrust washer diam.28,8X18X0,5	1
8	<----->	see pos. 3	0
9	6231.211	pin	2
10	5660.103	spring	1
10	5660.104	spring for engine with electric starting	1
11	<----->	see pos. D 86	0
12	7200.276	DRIVE ROD ASS.Y	1
13	<----->	see Pos. 18/18a	0
16	1240.004	circlip diam. 10	1
17	7770.171	roller 3 X 27,8	2
18	<----->	GOVERNOR ASS.Y	0
18a	4896.435	GOVERNOR ASS.Y	1
19	<----->	camshaft (std - without compression release)	0
19a	1011.675	camshaft with antireverse release (std - without compression re	1
20	9820.168	self-tapping screw 3,9 X 9,5	3
21	<----->	see Pos. 28	0
23	7625.270	washer	1
24	<----->	see Pos. 28	0
25	9732.016	screw M 6 X 40	3
26	8506.003	engine lifting eye	1
28	2125.650	ROCK.ARM COVER ASS.Y	1
28	2125.660	ROCK.ARM COVER ASS.Y for low temperature	1
29a	3203.050	selflocking nut M 6	2
30a	<----->	rocker arm nut	0
30b	3512.022	spacer	2
31a	<----->	rocker arm	0
31b	1541.258	rocker arm	2
32	6780.027	stud M 8 X 50	1
32a	9730.024	screw M 8 X 16	2
33	3240.164	nut M 8	2
35	7625.061	washer diam. 8,4	2
36	<----->	see Pos. 28	0
37	6780.164	stud M 8 X 55	1
38	<----->	see Pos. 28	0
41	4400.097	gasket	1
42	9820.181	screw M 3,5 X 6,5	5
43	9732.078	screw M 6 X 25	2
44	9200.719	CYLINDER HEAD WITH SEATS AND GUIDES	1
45a	6760.097	stud M 6 X 30	2
46	<----->	stud M 6 X 45	0
47	1862.152	fixing head bolt	4
48	7625.130	washer diam. 10,2	4
49	6410.136	retainer with half-collets	2
50	5755.155	valve spring	2
51	3430.114	cup	2
52	4535.015	valve retainer	2

Group: 15LD
Engine: 15LD 400 Drawing: C

CYLINDER HEAD/ROCKER ARM BOX/VALVES/TIMING/SPEED GOVERNOR

POS.	CODE	DESCRIPTION	Qty
53	4845.218	inlet valve guide	1
54	8000.219	inlet v.seat	1
55	4730.751	head gask. 1,0 diam. 82,5 - no semicircular cut	1
55	4730.752	head gask. 1,1 diam. 82,5 - 1 semicircular cut	1
55	4730.753	head gask. 1,2 diam. 82,5 - 2 semicircular cuts	1
55	4730.759	head gask. 1,0 diam. 83,5 - no semicircular cut + 1 mm on the	1
55	4730.760	head gask. 1,1 diam. 83,5 - 1 semicircular cut + 1 mm on the in	1
55	4730.761	head gask. 1,2 diam. 83,5 - 2 semicircular cuts + 1 mm on the i	1
56	8000.218	inlet v.seat	1
57	4845.219	exh.valve guide	1
58	9652.163	intake valve	1
59	9685.155	exhaust valve	1
61	«-----»	GASKET SET - see Pos. C 61a	0
61a	8205.125	RING AND GASKET COMPLETE SET (without Pos. C 55-55a-55b)	1
62	9032.086	filler oil cap	1
63	1200.082	O ring 3106	1
64	7620.017	washer	2
65	4775.588	gasket	1
66	6045.150	journal	2
67	7770.172	roller 3 X 15,8	1
72	5600.049	compression spring	1

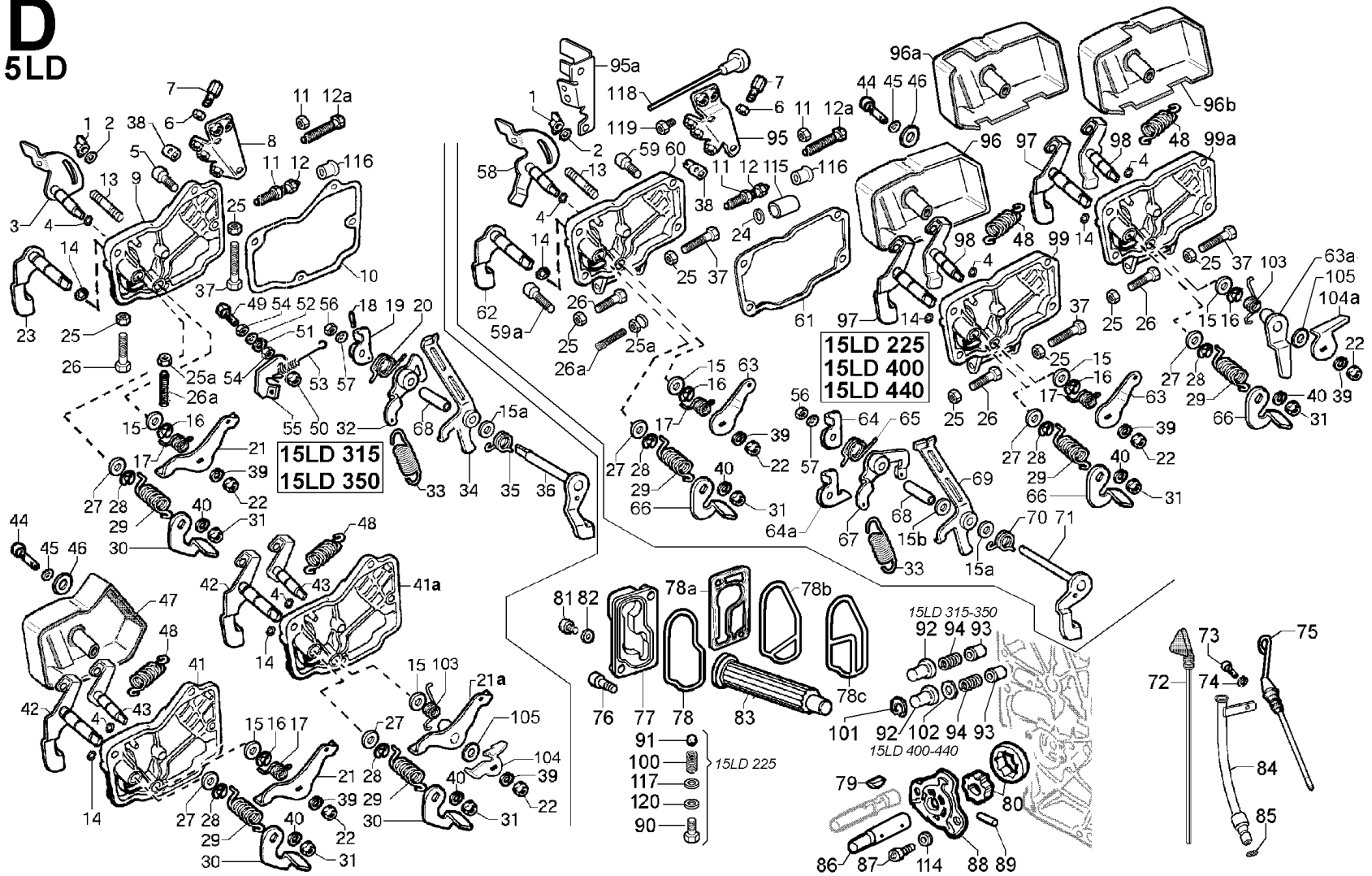
Additional Info - Engine: 15LD 400 Drawing: C

CYLINDER HEAD/ROCKER ARM BOX/VALVES/TIMING/SPEED GOVERNOR

Pos.	Old part	Serv.Lett.	Notes	S.No/Date
C 3	1011.552	150020	Pos. 3-4-6-7-8-9-10 - fitted until shown engine s.no - then see Pos C 3a	4699857
C 3a		150020	- starting from shown engine s.no	4699858
C 5	8430.014	150020	-	4699857
C 6	1015.063	150020	- fitted until shown engine s.no - then see Pos C 3a	4699857
C 6a		150020	- starting from shown engine s.no	4699858
C 12	7200.156	150023	Pos. 12-14 -	4782684
C 16	1240.002	150023	-	4782684
C 18	4896.414	150023	Pos. 13-17-18 - fitted until shown engine s.no	4782683
C 18a		150023	Pos. 11-12-13-14-16-17-67 -	4782684
C 19	1011.614	150020	- fitted until shown engine s.no	4699857
C 19a		150020	- starting from shown engine s.no	4699858
C 30a	1557.146	150028	-	5083230
C 30b		150028	-	5083231
C 31a	1541.244	150028	- substitution	5083230
C 31b		150028	-	5083231
C 46	6760.100	150026	- fitted until shown engine s.no	4881113
C 46a		150026	- starting from shown engine s.no	4881113
	6231.275	150040	- fitted until shown engine s.no	4987673
C 66		150028	-	5083231
C 67		150023	-	4782684

D

15LD



CONTROLS/LUBRICATING SYSTEM

POS.	CODE	DESCRIPTION	Qty
1	3200.002	wing nut M 6	1
2	7625.007	washer diam. 6	1
4	1200.041	O ring 103/2018	1
6	3240.008	nut M 6	2
7	9180.191	adjuster M 6	2
11	3240.063	nut M 10	1
12	8576.124	extra fuel device 3600 R.P.M.	1
12	8576.127	extra fuel device max 3000 R.P.M.	1
13	6760.047	stud M 6 X 16	1
14	1200.041	O ring 103/2018	1
15	7625.105	washer diam. 8,2	1
16	1240.002	circlip diam. 8	1
17	<----->	see Pos. 60/99	0
22	3240.008	nut M 6	1
26	1760.027	bolt M 6 X 40 (maximum)	1
26a	<----->	screw M 6 X 40 (EPA)	0
27	7625.105	washer diam. 8,2	1
28	1240.002	circlip diam. 8	1
29	<----->	see Pos. 60/99	0
31	3240.008	nut M 6	1
33	5655.220	gover.spring 3000->3600 R.P.M.	1
33	5655.355	gover.spring 3600 R.P.M.	1
37	1760.027	bolt M 6 X 40 (minimum)	1
38	5830.119	nut	2
39	7565.004	washer diam. 6	1
44	9790.030	screw M 6 X 30	1
45	7565.004	washer diam. 6	1
46	7625.007	washer diam. 6	1
48	5655.230	stop lever recovery spring	1
56	3240.008	nut M 6	1
57	7565.004	washer diam. 6	1
58	<----->	see Pos. 60	0
59	9730.337	screw M 6 X 16	4
59a	9730.012	screw M 6 X 20	2
60	2750.405	ACCEL.- STOP GOVERNOR COVER ASS.Y	1
61	4431.198	gasket	1
62	<----->	see Pos. 60	0
64	5200.979	governor lever	1
64a	5201.287	governor lever	1
65	5801.582	extra fuel spring	1
66	<----->	see Pos. 60/99/99a	0
67	5200.977	governor lever	1
68	1585.215	sleeve	1
69	5201.132	control lever	1
70	5600.042	spring	1
71	5201.294	internal control lever	1
75	1400.420	dipstick	1
76	9730.012	screw M 6 X 20	2
77	9220.117	oil filt.cover for pressure oil switch M 12	1
77	9220.118	oil filt.cover for double electric device (M 12+M 10)	1
78	1200.384	O ring	1
78a	<----->	gasket for remote oil filter	0
80	6605.090	oil pump	1

Group: 15LD
Engine: 15LD 400 Drawing: D

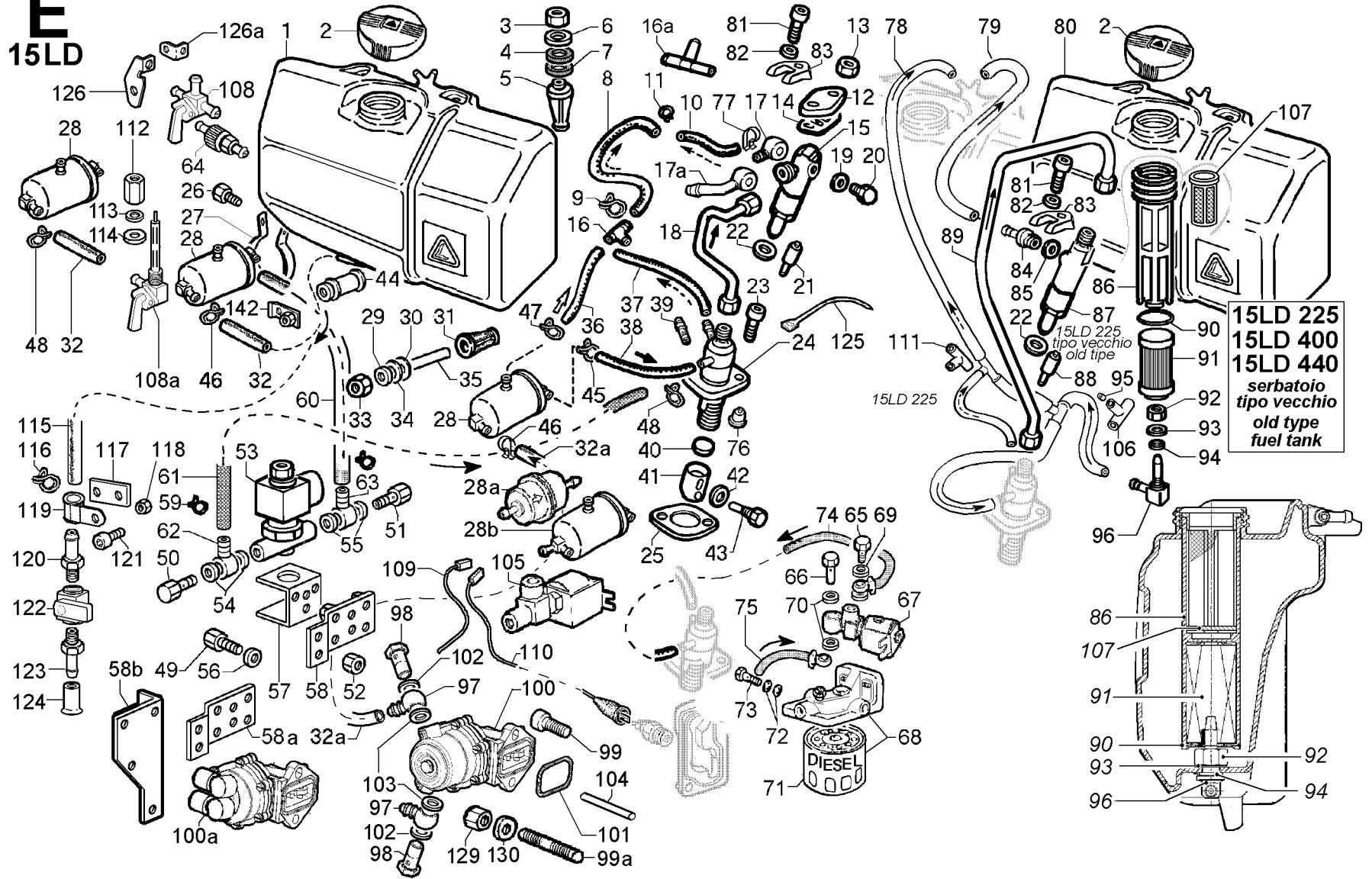
CONTROLS/LUBRICATING SYSTEM

POS.	CODE	DESCRIPTION	Qty
81	8965.051	plug M 12	1
82	4670.060	copper gasket diam.12	1
83	2175.155	oil filter cartridge	1
86	1111.225	oil pump shaft	1
87	9730.010	screw M 6 X 16	2
88	8836.210	oil pump support	1
89	7770.172	roller 3 X 15,8	1
92	7980.077	pressure valve plug	1
93	6495.074	drive rod	1
94	5625.023	pressure valve spring	1
95	8510.152	bracket	1
96	«-----»	guard - no longer avail. - see pos. D 96a/D 96b	0
96	6927.502	guard for remote control ass.y monolever pos. 99a	1
96a	6927.659	guard for engine with fuel pump	1
96b	6927.660	guard for engine without fuel pump	1
97	«-----»	see Pos. 99/99a	0
99	2750.409	REMOTE ACCEL.- STOP GOVERNOR COVER ASS.Y	1
99a	2750.403	REMOTE CONTROL ASS.Y MONOLEVER	1
101	1240.017	snap ring	1
102	7625.105	washer diam. 8,2	1
103	«-----»	see Pos. 99a	0
105	7625.010	washer diam. 8	1
114	7555.004	washer diam. 6	2
116	2145.037	cap	1

Additional Info - Engine: 15LD 400 Drawing: D**CONTROLS/LUBRICATING SYSTEM**

Pos.	Old part	Serv.Lett.	Notes	S.No/Date
D 15b		150046	-	5518054
D 26	1760.029	150033	-	01-12-2004
D 26a	9765.169	150033	- superseded by Pos. D 26	01-12-2004
D 60	2750.373	150033	Pos. 4-14-15-16-17-22-26-27-28-29-31-37-39-40-58-60-62-63-66 - old type unified with the one suitable to EPA version	01-12-2004
D 71	5201.133	150046	-	5518054
D 77	9220.114	150030	-	5057195
D 77	9220.116	150030	-	5057195
D 78		150030	-	5057195
D 78a	4431.186	150030	-	5057194
D 79	2280.061	150023	- fitted until shown engine s.no	4782683
D 86	1111.165	150023	-	4782684
D 96a		150039	-	5258711
D 96b		150039	-	5258711
D 99	2750.375	150033	Pos. 4-13-14-15-16-17-22-25-26-27-28-29-31-37-39-40-63-66-97-98-99 - old type unified with the one suitable to EPA version	01-12-2004
D 99a	2750.377	150033	Pos. 4-14-15-16-22-25-26-27-28-29-31-37-39-40-63a-66-97-98-99a-103-104a-105 - old type unified with the one suitable to EPA version	01-12-2004

E
15LD



15LD 225
15LD 400
15LD 440
serbatoio
tipo vecchio
old type
fuel tank

FUEL SYSTEM

POS.	CODE	DESCRIPTION	Qty
1	8103.317	fuel tank	1
2	9043.096	tank cap	1
3	3240.164	nut M 8	2
4	7701.154	rubber washer	2
5	3527.509	spacer	2
6	7670.118	washer	2
7	7701.154	rubber washer	2
8	9375.872	fuel pipe 5x10 mm. 250	1
9	3630.113	clamp CE 09	2
10	9375.872	fuel pipe 5x10 mm. 250	1
11	3630.163	clamp	2
12	«-----»	injector top plate	0
15	5010.054	injector 15LD 400	1
15	5010.066	injector 15LD 400 (EPA)	1
16	2527.092	hose connector	1
16	2527.094	hose connector (red)	1
16a	7301.052	union	1
17a	7270.239	banjo union diam. 6	1
18	9376.029	high press.pipe	1
19	4670.062	copper gasket diam. 6,2 X 10 X 1,5	2
20	1901.171	bolt	1
20	7260.053	connection EPA version	1
21	6531.562	nozzle 15LD 400	1
21	6531.643	nozzle 15LD 400 (EPA)	1
22	4670.099	copper gasket 1,00	1
23	9730.301	screw M 6 X 20	2
24	6590.359	injection pump	1
25	4580.180	gasket 0,38	1
26	9730.319	screw M 6 X 12	1
27	3617.197	fuel filter clamp	1
28	3730.096	fuel filter	1
28a	3730.121	fuel filter	1
28b	3730.122	fuel filter for oil alert device	1
29	7670.118	washer	2
30	7701.154	rubber washer	2
32	9375.872	fuel pipe 5x10 mm. 250	1
33	3240.164	nut M 8	2
34	7701.154	rubber washer	2
36	9375.872	fuel pipe 5x10 mm. 250	1
39	7260.057	union for engine EPA version	1
40	6000.113	adjustment cup violet 4,00	1
40	6000.114	adjustment cup white 4,10	1
40	6000.115	adjustment cup yellow 4,20	1
40	6000.116	adjustment cup orange 4,30	1
40	6000.117	adjustment cup light blue 4,40	1
40	6000.118	adjustment cup green 4,50	1
40	6000.119	adjustment cup blue 4,60	1
40	6000.120	adjustment cup red 4,70	1
40	6000.121	adjustment cup grey 4,80	1
40	6000.122	adjustment cup violet 4,90	1
40	6000.129	adjustment cup light grey 5,00	1
40	6000.130	adjustment cup brown 5,10	1
41	7215.133	push rod	1

Group: 15LD
Engine: 15LD 400 Drawing: E

FUEL SYSTEM

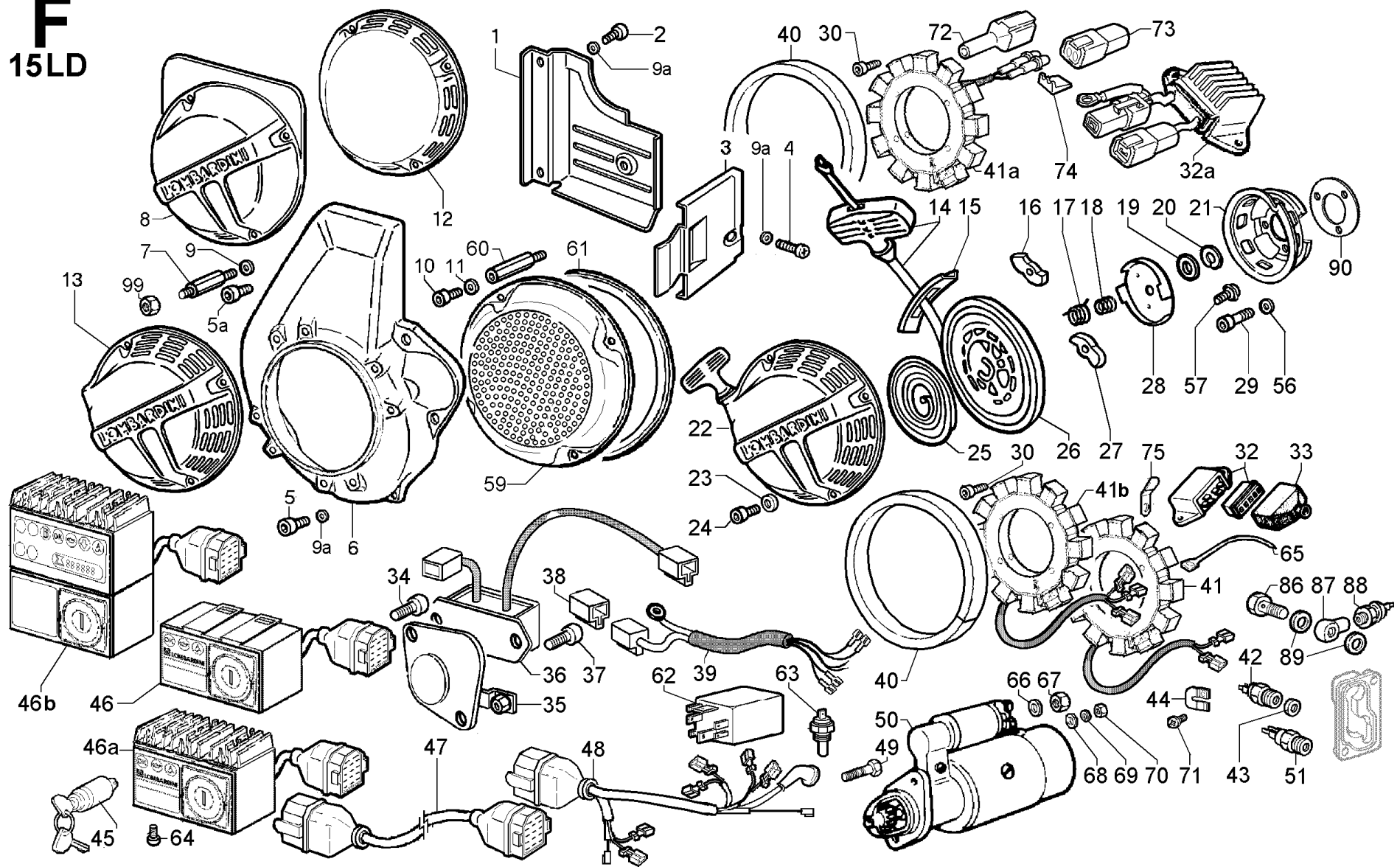
POS.	CODE	DESCRIPTION	Qty
42	7625.303	washer diam. 6,5	1
43	9765.182	screw M 6 X 1	1
44	3527.419	spacer	2
45	3630.163	clamp	1
46	3630.159	clamp diam.10-12,5	1
48	3630.113	clamp CE 09	1
49	9790.028	screw M 5 X 10	2
56	7625.007	washer diam. 6	2
58	8510.145	bracket	1
58a	8510.149	electrovalve support	1
60	9375.196	fuel hose	1
61	9375.872	fuel pipe 5x10 mm. 250	1
76	9672.154	delivery valve mmc 21	1
77	3630.050	clamp dia 9-11	2
78	«-----»	fuel hose ass.y	0
81	9732.078	screw M 6 X 25	1
82	7625.092	washer diam. 6,5	1
83	8545.793	bracket	1
86	«-----»	cartridge guide	0
97	7270.138	banjo union diam.10	2
98	1901.030	union bolt M 10	2
99	9732.092	screw M 8 X 18	2
99a	6780.008	stud M 8 X 20 (32)	2
100	6585.096	feed pump	1
100a	«-----»	feed pump	0
101	1200.087	O ring 3150	1
102	4670.059	copper gasket diam.10	2
104	7200.735	feed pump rod	1
105	3587.115	el.valve 24V on engine	1
105	3587.138	electro-valve 12V antireverse	1
106	«-----»	hose connector	0
109	2185.950	wire mm 2000	1
110	2185.896	wire from pressure switch oil to electro-valve	1
111	«-----»	hose connector	0
125	2471.006	collar	1
126	«-----»	bracket - never mounted	0
126a	614R.037	safety plate	1
129	3240.164	nut M 8	2
130	7555.029	washer diam. 8	2
142	8510.165	engine lifting eye	1

Additional Info - Engine: 15LD 400 Drawing: E

FUEL SYSTEM

Pos.	Old part	Serv.Lett.	Notes	S.No/Date
E 1		150021	- starting from shown engine s.no	4699858
E 8		150021	- starting from shown engine s.no	4699858
E 9		150021	- starting from shown engine s.no	4699858
E 10		150021	- starting from shown engine s.no	4699858
E 12	3902.310	150026	- fitted until shown engine s.no	4881113
E 13	3203.050	150026	- fitted until shown engine s.no	4881113
E 14	6370.512	150026	- fitted until shown engine s.no	4881113
E 16		150021	-	4699858
E 26		150021	-	4699858
E 27		150021	-	4699858
E 28		150021	-	4699858
E 32		150021	-	4699858
E 36		150021	-	4699858
E 37		150021	-	4699858
E 38		150021	-	4699858
E 39		B004	-	
E 43	9765.170	150039	-	5257270
E 45		150021	-	4699858
E 46		150021	-	4699858
E 47		150021	-	4699858
E 48		150021	-	4699858
E 78	9375.983	150021	- fitted until shown engine s.no	4699857
E 79	9376.038	150021	- fitted until shown engine s.no	4699857
E 80	8103.307	150021	- fitted until shown engine s.no	4699857
E 81		150026	- starting from shown engine s.no	4881113
	9730.018	150040	- starting from shown engine s.no	4987673
E 82		150026	- starting from shown engine s.no	4881113
E 83		150026	- starting from shown engine s.no	4881113
E 86	2110.058	150021	- fitted until shown engine s.no	4699857
E 90	1160.062	150021	- fitted until shown engine s.no	4699857
E 91	2175.182	150021	- fitted until shown engine s.no	4699857
E 92	3240.132	150021	- fitted until shown engine s.no	4699857
E 93	7625.130	150021	- fitted until shown engine s.no	4699857
E 94	4580.186	150021	- fitted until shown engine s.no	4699857
E 96	7270.191	150021	- fitted until shown engine s.no	4699857
E100		150039	- starting from shown engine s.no	5258711
E100a	6585.103	150039	-	5258710
E104	7200.200	150039	-	5258711
E106	2527.084	150021	- fitted until shown engine s.no	4699857
E107	3730.105	150021	- fitted until shown engine s.no	4699857
E111	2527.092	150021	- fitted until shown engine s.no	4699857
E126		150021	-	4699858

F 15LD



COOLING SYSTEM/STARTING

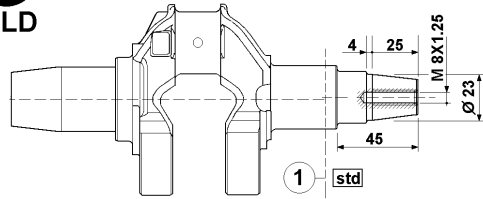
POS.	CODE	DESCRIPTION	Qty
1	5066.313	rear panel	1
2	9790.037	screw M 6 X 8	3
3	5066.334	side panel	1
4	9865.122	screw M 6 X 12	1
5	9732.084	screw M 6 X 12	4
6	2569.672	shroud (grey)	1
6	2569.682	shroud (red)	1
7	2501.208	hollowstud	4
8	7986.039	denoised guard	1
9	7625.007	washer diam. 6	4
9a	7555.004	washer diam. 6	3
10	9732.084	screw M 6 X 12	4
13	7951.173	guard housing	1
14	4904.038	handle ass.y	1
15	<----->	see Pos. 22	0
16	5025.097	tooth	1
17	5660.066	recovery spring	1
18	5590.026	thrust spring	1
19	<----->	see Pos. 22	0
21	6961.108	pulley	1
21	6961.116	pulley for engine without compression release	1
22	1472.033	REWIND STARTING	1
23	7625.062	washer diam. 6,5	4
24	9730.309	screw M 6 X 8	4
25	5801.539	spiral spring	1
26	7100.377	recoil pulley	1
27	5025.097	tooth	1
28	7980.063	cup	1
29	9732.063	screw M 8 X 35	3
30	9730.010	screw M 6 X 16	3
30	992R.046	screw M 6 X 22	3
32	7362.228	voltage regulator. 12V 14/26A-6 contacts for alternator 3 wires	1
32	7362.255	voltage regul.12 V 12 A	1
32	7362.294	volt.regulator 12V 21A fitted for electronic tachometer - 6+W c	1
32	7362.314	volt.regulator 12V 30A fitted for electronic tachometer - 5+W c	1
32	7362.338	voltage regul.24 V	1
33	2145.014	regulator cap	1
38	1557.103	wire connection	1
40	2002.019	plastoferrite rotor 12 V 12/20 A	1
40	2002.020	rotor 12 V 30 A	1
41	8565.107	stator for alternator 2 wires 12V 20A (for ceramic rotor)	1
41b	8565.106	alternator stator 12 V 12 A - 3 wires	1
42	5041.267	oil switch (M 10)	1
42	6745.042	pressure oil switch 0,6 bar (M 12) - red	1
42	6745.052	pressure oil switch M 10 1,4 bar - brown	1
43	4670.059	copper gasket diam.10	1
43	4670.061	copper gasket diam.14	2
44	6275.187	safety plate	1
45	5041.020	key switch	1
46	7245.417	dashboard 3 warning lights	1
46a	7245.423	electr.panel 12 V	1
46b	7245.438	electr.panel 12 V	0
47	2185.882	extension wire	1

Group: 15LD
Engine: 15LD 400 Drawing: F

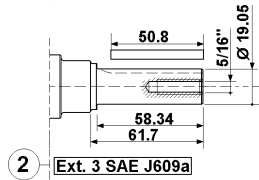
COOLING SYSTEM/STARTING

POS.	CODE	DESCRIPTION	Qty
48	2185.907	wiring harness for batt.light and oil warn.	1
49	992R.024	screw M 10 X 25	2
50	5840.215	starting motor 12 V (Iskra type)	1
50	5840.216	starting motor 24 V	1
50	5840.218	starting motor 12 V (Bosch type)	1
51	9195.520	oil thermostat	1
56	7565.007	washer diam. 8	3
57	9730.340	screw M 5 X 10	1
62	2193.106	contr box 24V	1
63	9195.094	sensor M 14 (12-24V) for preheating plug control box	1
64	9730.325	screw M 5 X 10	4
65	2471.014	collar	2
66	7565.007	washer diam. 8	1
67	3240.018	nut M 8	1
68	7625.008	washer diam. 6,4	1
69	7555.004	washer diam. 6	1
70	3240.009	nut	1
71	9790.037	screw M 6 X 8	1
75	6275.154	plate	1
86	1901.190	union bolt M 12	1
87	7270.250	union	1
88	5041.276	"pressure oil switch 1/8" 0,6 bar"	1
89	4670.117	copper gasket	2

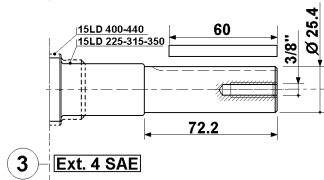
G
15LD



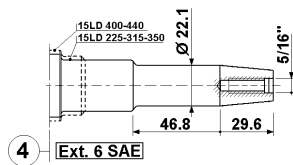
1 **std**



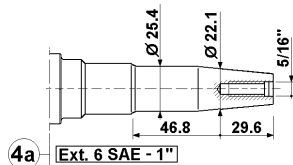
2 **Ext. 3 SAE J609a**



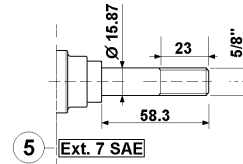
3 **Ext. 4 SAE**



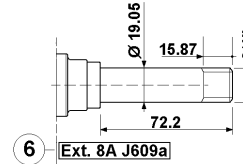
4 **Ext. 6 SAE**



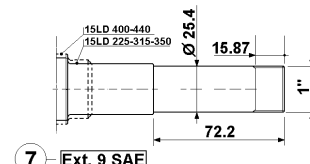
4a **Ext. 6 SAE - 1"**



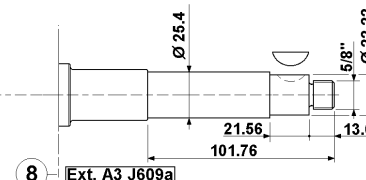
5 **Ext. 7 SAE**



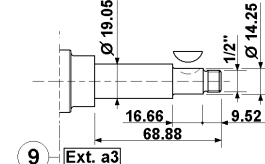
6 **Ext. 8A J609a**



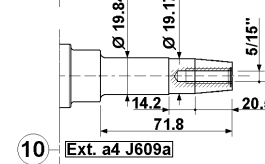
7 **Ext. 9 SAE**



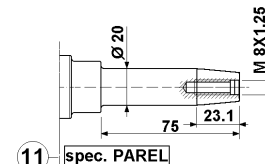
8 **Ext. A3 J609a**



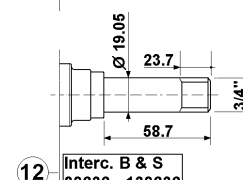
9 **Ext. a3**



10 **Ext. a4 J609a**



11 **spec. PAREL**



12 **Interc. B & S
80232 - 130232**

CRANKSHAFT/SHORT BLOCK TABLE

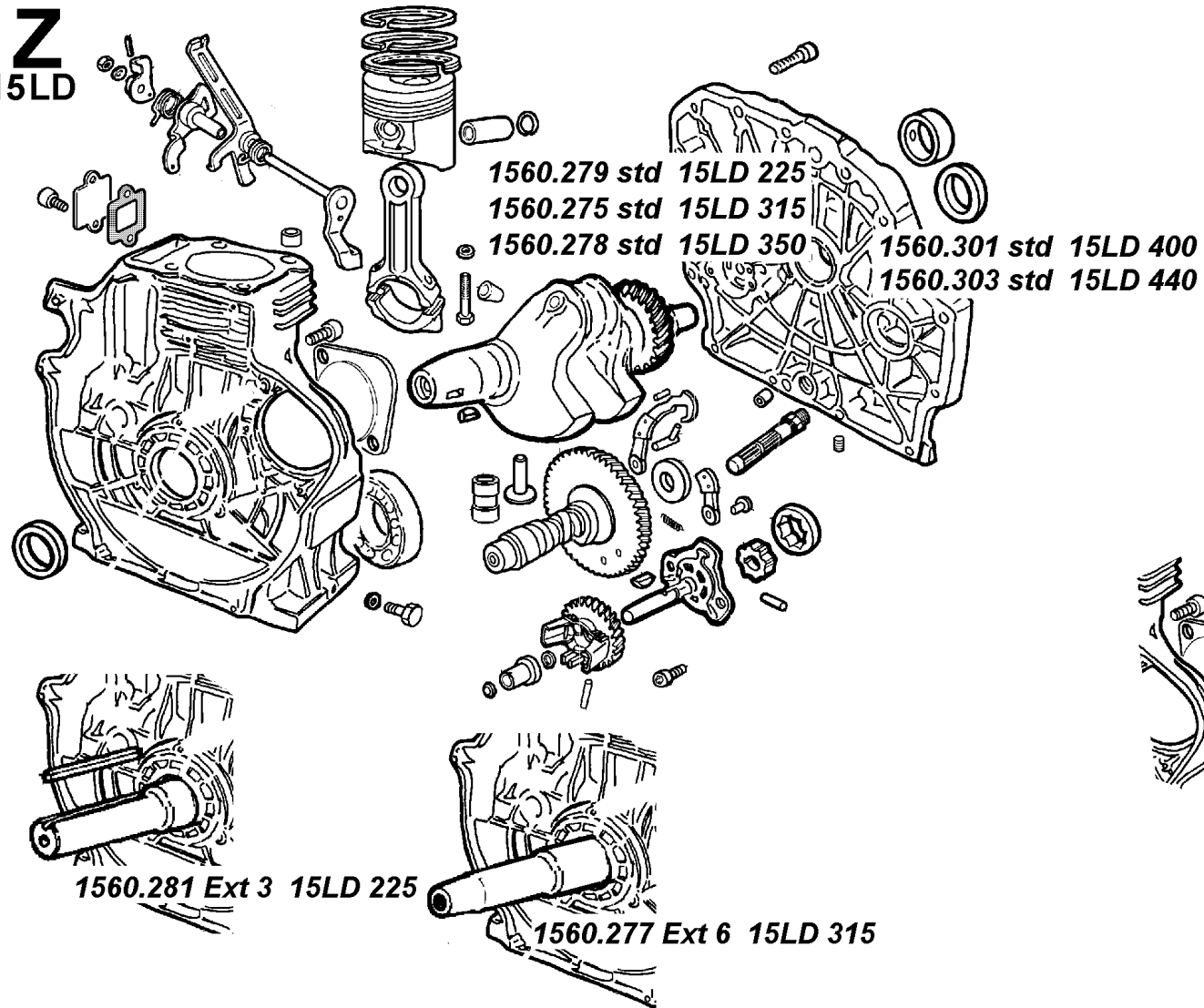
POS.	CODE	DESCRIPTION	Qty
1	1051.229	CONICAL PTO CRANKSHAFT without equalizer device	1
1	1051.230	CONICAL PTO CRANKSHAFT with equalizer device	1
2	1051.xxx	crankshaft Ext 3 SAE with equalizer device	1
3	1051.231	crankshaft Ext 4 SAE without equalizer device	1
3	1051.232	crankshaft Ext 4 SAE with equalizer device	1
4	«-----»	crankshaft Ext 6 SAE with equalizer device	0
5	1051.xxx	crankshaft Ext 7 SAE without equalizer device	1
6	non cod.	crankshaft Ext 8 SAE without equalizer device	0
7	1051.277	crankshaft Ext 9 SAE without equalizer device	1
7	1051.278	crankshaft Ext 9 SAE with equalizer device	1
8	1051.xxx	crankshaft Ext A 3 SAE without equalizer device	1
12	non cod.	crankshaft Ext M 8 interc.B & S with equalizer device	0
4a	1051.226	"crankshaft Ext 6 SAE + Ø 1" without equalizer device"	1
4a	1051.228	"crankshaft Ext 6 SAE + Ø 1" with equalizer device"	1

Additional Info - Engine: 15LD 400 Drawing: G

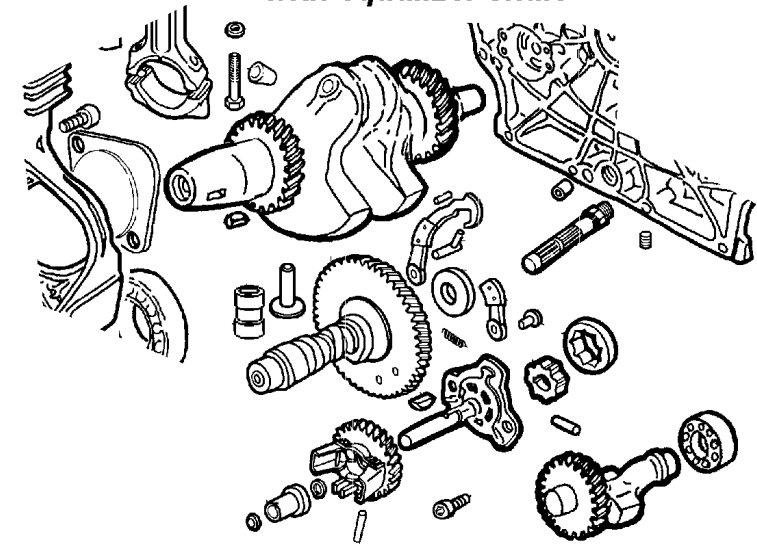
CRANKSHAFT/SHORT BLOCK TABLE

Pos.	Old part	Serv.Lett.	Notes	S.No/Date
G 1	1051.130	150032	-	5060923
G 1	1051.141	150032	-	5060923
G 3	1051.168	150032	-	5060923
G 3	1051.167	150032	-	5060923
G 4	1051.174	150032	- fitted until shown engine s.no	5060922
	1051.173	150032	- fitted until shown engine s.no	5060922
G 7	1051.207	150032	-	5060923
G 4a	1051.207	150032	-	5060923
G 4a	1051.206	150032	-	5060923

Z
15LD



1560.280 std 15LD 225
1560.276 std 15LD 315
1560.302 std 15LD 400
1560.304 std 15LD 440
con albero equilibratore
with equalizer shaft





Group: 15LD
Engine: 15LD 400 Drawing: Z

SHORT BLOCK

POS.	CODE	DESCRIPTION	Qty
1	1560.301	conical PTO short block without equalizer device	1
1	1560.302	conical PTO short block with equalizer device	1

SHORT BLOCK

Pos.	Old part	Serv.Lett.	Notes	S.No/Date