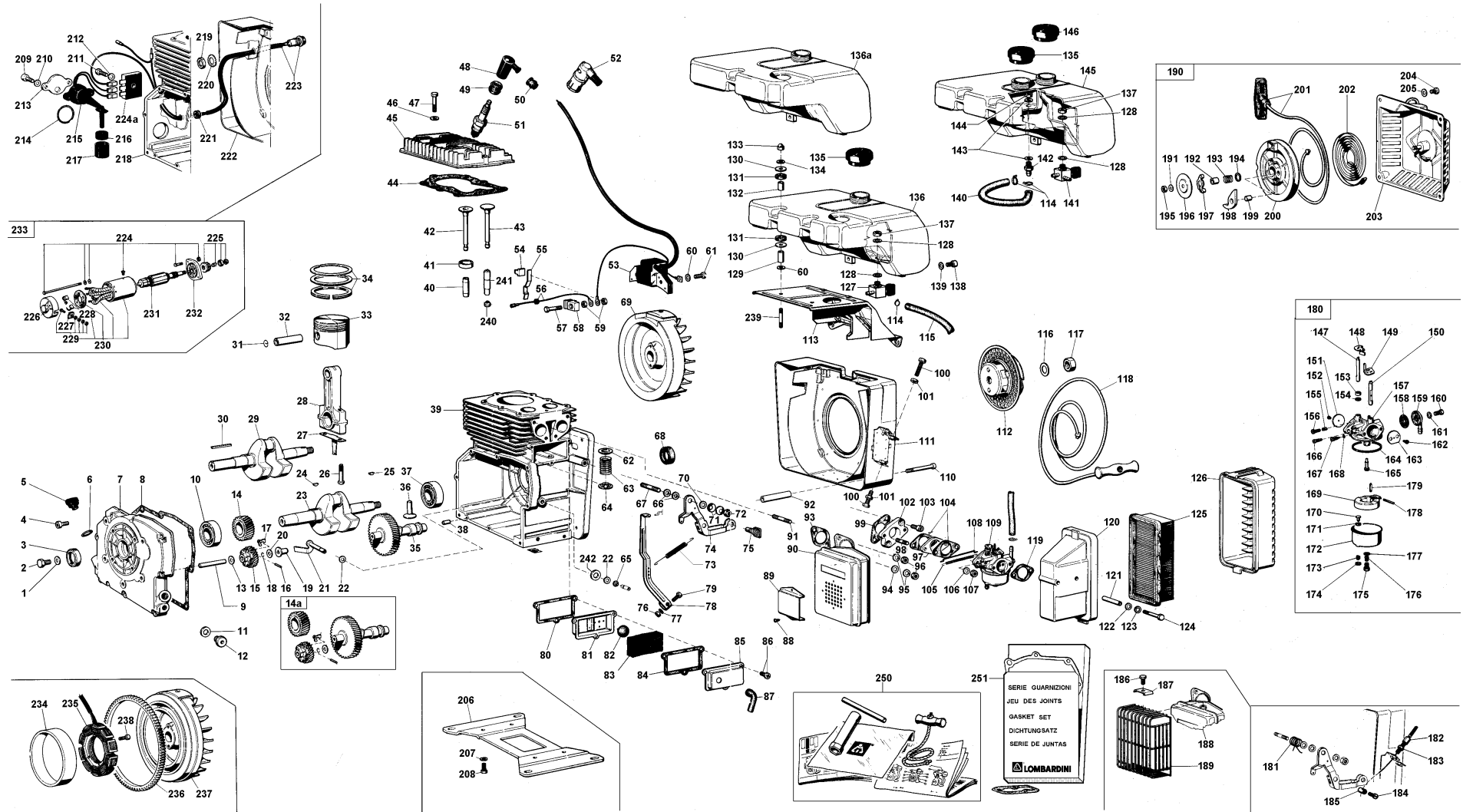


# A LGA LKA 184 225



**SPARE PARTS TABLE**

POS.	CODE	DESCRIPTION	Qty
001	7625.060	washer diam. 8,4	1
002	1770.039	bolt M 8 X 1,25 X 28	1
003	1213.205	seal ring	1
004	<----->	screw M 6 X 30	0
005	9032.056	dipstick	2
006	1200.003	O ring 118	2
007	<----->	gear cover	0
008	4601.047	gasket	1
009	6130.057	pin	1
010	3001.082	ball bearing	1
011	4350.007	gasket	2
012	9040.012	plug M 14	2
013	7625.070	washer diam. 6	1
014	<----->	gear	0
015	4936.170	gear (helical-toothed)	1
018	1300.105	lockwasher	1
019	<----->	drive rod	0
020	7625.010	washer diam. 8	1
021	5200.448	lever	1
022	7625.009	washer diam. 7	1
023	<----->	crankshaft std	0
025	2280.044	key 4 X 4,5 X 16	1
026	1760.030	bolt M 6 X 45	2
027	5168.034	tabwasher	1
028	1526.126	CONNECT.ROD std.	1
028	1526.145	CONNECT.ROD -0,25	1
028	1526.146	CONNECT.ROD -0,50	1
029	<----->	crankshaft Ext 8A - no longer avail.	0
029	1050.938	crankshaft Ext A3	1
029	1050.940	crankshaft Ext 3	1
030	<----->	key 4,76 x 4,76 x 50,8	0
031	1261.070	pin ring	2
032	8480.002	gudgeon pin	1
033	6500.896	PISTON SET std	1
033	6500.897	PISTON SET +0,50	1
033	6500.898	PISTON SET +1,00	1
034	8211.085	ring set std.	1
034	8211.086	ring set +0,50	1
034	8211.087	ring set +1,00	1
035	<----->	camshaft	0
036	7215.050	tappet	2
037	<----->	ball bearing special 20X52X15	0
037	3001.082	ball bearing	1
038	8461.021	lockpin	2
039	<----->	crankcase	0
040	4845.080	exh. valve guide	1
041	8000.168	exhaust v.seat	2
042	<----->	exhaust valve	0
044	4730.529	head gasket	1
045	9200.251	cilynder head	1
046	7625.061	washer diam. 8,4	8
047	1770.011	bolt M 8 X 1,25 X 40	8
048	1450.001	spark plug cap std	1

**Group: LGA-LKA 184-225**  
**Engine: LGA 225 Drawing: A**

**SPARE PARTS TABLE**

POS.	CODE	DESCRIPTION	Qty
049	2135.049	cap	1
050	5400.007	sheath	1
051	147A.131	spark plug for unloaded petrol	1
052	<----->	cap	0
053	1567.206	coil	1
054	7195.074	stop push button	1
055	5170.015	vane	1
056	<----->	remote control wire	0
057	1750.043	bolt M 4x25	1
058	<----->	nut	0
059	3240.003	nut M 4	1
060	7625.007	washer diam. 6	1
061	1760.006	bolt M 6 X 1 X 20	2
062	6400.029	cup	2
063	5755.125	valve spring	2
064	6400.028	cup	2
065	1165.005	anello benzing D.5	1
066	7626.059	washer diam. 8	1
068	1210.024	seal ring	1
068	1213.008	special seal ring 20X35X7	1
069	<----->	flywhell	0
070	4480.003	fibre gasket	1
071	<----->	washer	0
072	3203.019	nut	1
073	5655.228	gover.spring 3600 R.P.M.	1
073	5655.229	gover.spring 3000 R.P.M.	1
074	5200.516	lever	1
075	<----->	handle ass.y - no longer avail.	0
076	3240.018	nut M 8	1
077	7625.007	washer diam. 6	1
078	5200.879	lever	1
079	1760.006	bolt M 6 X 1 X 20	1
080	4680.067	gasket	1
081	7951.054	breather box	1
082	9695.013	breather valve	1
083	5976.003	filtering element	1
084	4680.067	gasket	1
085	<----->	cover	0
086	9790.028	screw M 5 X 10	3
087	9580.023	breather line	1
088	9820.069	screw	2
089	2750.280	cover	1
090	<----->	muffler for gen.sets (fitting for guard)	0
090	5460.481	muffler std (fitting for guard)	1
091	6760.047	stud M 6 X 16	2
092	<----->	spacer	0
092	4501.106	gasket	1
094	7625.007	washer diam. 6	1
095	7565.004	washer diam. 6	2
096	3240.009	nut M 6	1
097	4775.166	gasket	1
098	<----->	stud M 6	0
099	4501.105	gasket	1

**Group: LGA-LKA 184-225**  
**Engine: LGA 225 Drawing: A**

**SPARE PARTS TABLE**

POS.	CODE	DESCRIPTION	Qty
100	1760.082	bolt M 6 X 35	1
101	3240.008	nut M 6	1
102	3781.056	flange	1
103	9730.119	screw M 6 X 14	2
104	4775.190	carburetor gasket	2
105	«-----»	spring	1
105	5670.011	spring	1
106	7625.007	washer diam. 6	1
107	3240.008	nut M 6	2
108	2183.078	hinge link	1
109	2151.213	carburetor	1
110	9730.021	screw M 6 X 70	4
111	«-----»	shroud (denoised type for engine without f.tank)	0
111	2569.471	shroud (for engine without f.tank) - black coloured	1
112	6961.064	pulley	1
113	2920.119	hood	1
114	3630.057	clamp	1
115	9375.196	fuel hose	1
116	7625.026	washer diam.12	1
117	3240.048	nut	1
118	4055.045	rope starting	1
119	4490.070	gasket	1
120	«-----»	air cleaner cover	0
120	3700.398	AIR CLEANER	1
121	3527.222	spacer	2
122	771R.001	washer diam. 5,3	2
123	7565.003	washer diam. 5	2
124	«-----»	bolt M 5 X 50	0
125	2175.251	air clean.cartridge	1
126	«-----»	air cleaner cover	0
127	7755.099	shut off valve	1
128	4580.186	seal gasket	1
129	3527.458	spacer	1
130	7701.154	rubber washer	4
131	7565.004	washer diam. 6	4
132	7625.093	washer diam. 6,2 X 22	1
133	«-----»	cap nut M 6	0
135	9043.096	fuel tank cap std.	1
136	8103.235	fuel tank	1
136a	«-----»	fuel tank	0
137	3240.132	nut M 10	1
138	9730.119	screw M 6 X 14	2
139	7625.007	washer diam. 6	2
141	«-----»	shut off valve	0
142	7301.085	union	1
143	7625.070	washer diam. 6	2
144	3240.008	nut M 6	1
147	«-----»	butterfly shaft	0
150	6100.037	butterfly shaft	1
153	«-----»	cap	0
156	9820.095	screw	1
158	3730.049	fuel filter	1
159	«-----»	pipe elbow	0

**Group: LGA-LKA 184-225**  
**Engine: LGA 225 Drawing: A**

**SPARE PARTS TABLE**

POS.	CODE	DESCRIPTION	Qty
164	4775.207	gasket	1
165	3588.030	mixture tube	1
166	4126.035	idle jet	1
167	9820.100	screw	1
168	«-----»	rubber oil seal	0
169	4105.021	float	1
172	9710.075	float	1
174	«-----»	drain push button	0
175	8965.040	plug	1
176	«-----»	main jet 0,98	0
177	4775.208	gasket	1
178	«-----»	float pin	0
179	8350.021	carburetor needle valve	1
180	2151.213	carburetor	1
181	5680.105	spring	1
182	9180.191	adjuster M 6	1
183	3240.009	nut M 6	1
185	5830.119	nut	1
186	1760.003	bolt M 6 X 1 X 12	2
187	6370.140	plate	2
188	«-----»	muffler for gen.sets (fitting for guard)	0
188	5460.481	muffler std (fitting for guard)	1
189	«-----»	muffler guard std	0
190	1471.078	rewind starting	1
191	7540.004	washer	1
192	3466.048	spacer	1
193	5725.044	spring	1
194	7625.136	washer	1
195	3240.008	nut M 6	1
196	2136.027	cap	1
197	5200.397	lever	1
198	6370.201	plate	1
199	«-----»	pin	1
200	7100.291	pulley	1
201	4055.040	rope ass.y	1
202	5801.179	rewind spring	1
203	«-----»	see Pos. 190	0
204	9730.008	screw M 6 X 10	4
205	7565.004	washer diam. 6	4
206	6429.072	engine mount	1
207	7565.007	washer diam. 8	4
208	1770.056	bullone M 8 X 1,25 X 18	4
209	9730.115	screw M 5 X 14	2
210	7555.003	washer diam. 5	2
211	1760.024	adjusting bolt M 6X22	1
212	7555.004	washer diam. 6	1
213	«-----»	plate	0
215	3440.035	oil alert device	1
218	«-----»	crankcase (fitted for el.starting)	0
218	1510.695	CRANKCASE fitted for oil alert device	1
220	7540.010	washer	1
221	5997.041	wire sleeve	1
222	2569.471	shroud	1

**Group: LGA-LKA 184-225**  
**Engine: LGA 225 Drawing: A**

**SPARE PARTS TABLE**

POS.	CODE	DESCRIPTION	Qty
223	<----->	oil level warning	0
224	8140.096	spare part set	1
224a	7362.228	voltage regul.12 V 12 A	1
225	<----->	see Pos. 233	0
228	8310.043	brush set	1
229	<----->	accessory set	0
233	5840.077	starting motor	1
235	8565.072	alternator stator 12 V 8,5 A - 3 wires	1
236	<----->	crown gear	0
238	9731.022	screw M 5 X 20	4
239	6760.052	stud M 6 X 40	1
240	4535.015	valve retainer	1
241	4845.202	inlet valve guide	1
242	<----->	dust cover ring	0
251	8180.191	gasket set	1
251	8180.192	gasket set	1

**Additional Info - Engine: LGA 225 Drawing: A**

**SPARE PARTS TABLE**

Pos.	Old part	Serv.Lett.	Notes	S.No/Date
A010	3000.062	23009	-	3888941
A014	4936.065	826	-	1026526
	4936.079	23008	- fitted until shown engine s.no	3953946
A015	4936.066	826	- old type with straight thooting	1026526
A023	1050.473	23005	- old tipe Ø 20	3778700
	1050.439	23005	- old tipe Ø 20	3778700
	1050.883	23008	- old tipe Ø 25 with key notch for timing gear	3953946
	1050.877	23008	- old tipe Ø 25 with key notch for timing gear	3953946
A024	2280.047	23008	-	3953946
A026	1760.088	23003	-	3691421
A028	1526.051	827	-	1139537
A028	1526.059	827	-	1139537
A028	1526.060	827	-	1139537
A029	1050.882	23008	- old tipe Ø 25 with key notch for timing gear	3953946
	1050.468	23005	- old tipe Ø 20	3778700
	1050.466	23005	- old tipe Ø 20	3778700
	1050.474	23005	- old tipe Ø 20	3778700
	1050.880	23008	- old tipe Ø 25 with key notch for timing gear	3953946
	1050.878	23008	- old tipe Ø 25 with key notch for timing gear	3953946
	1050.884	23008	- old tipe Ø 25 with key notch for timing gear	3953946
A029	1050.467	23005	- old tipe Ø 20	3778700
	1050.879	23008	- old tipe Ø 25 with key notch for timing gear	3953946
A029	1050.469	23005	- old tipe Ø 20	3778700
	1050.881	23008	- old tipe Ø 25 with key notch for timing gear	3953946
A031	1257.019	827	-	1139537
A032	8480.038	827	-	1139537
A033	6500.498	827	- to replace old type add 1526.126 (1)	1139537
A033	6500.499	827	- to replace old type add 1526.126 (1)	1139537
A033	6500.500	827	- to replace old type add 1526.126 (1)	1139537
A037		23005	- with 1213.008 seal to reuse prior to improvement shaf t on after improvement crankcase	3778700
A037	3001.083	23005	-	3778700
A039	1510.696	23005	-	02.1998
	1510.307	23005	- to replace old type see service letter 23008	3751430
	1510.311	23005	- to replace old type see service letter 23008	3751430
	1510.301	23005	- to replace old type see service letter 23008	3751430
A041	8000.033	23004	-	3603557
A051	2100.006	23007	-	3929331
A052	2145.004	23007	- fitted until shown engine s.no	3929331
A053	1567.171	23007	- old type screned	3929331
	1567.167	23007	-	3929331
A068	1213.167	23005	-	3778700
A068		23005	- with 3002.078 roller to reuse prior to improvement sh aft on after improvement crankcase	3778700
A089	2750.172	23006	-	3958042
A090	5460.333	23006	- old type isn't fitted for guard	3958042
A090	5460.335	23006	- old type: std type	3958042
A113	2920.118	821	-	10.1988
A128	4350.005	822	- old type superseded by 4670.059	06.1989
A129	3527.152	825	-	1132442
A130	7626.090	825	-	1132442
A131	8636.084	825	- to replace old type add 1580.110+7701.154	1132442
A132	3527.153	825	-	

**Additional Info - Engine: LGA 225 Drawing: A**

**SPARE PARTS TABLE**

Pos.	Old part	Serv.Lett.	Notes	S.No/Date
			- to replace old type add 1580.110+7701.154	1132442
A134	7565.004	825	- fitted until shown engine s.no	1132442
A135	9043.067	820	- old type superseded by 9080.124	1116900
	9043.075	828	- old type superseded by 9080.124	1132442
A136		825	-	1132442
A136a	8103.201	825	-	1132441
A143	4670.001	822	-	06.1989
A144		822	- fitted from shown date	06.1989
A188		23006	- starting from shown engine s.no	3958042
A188	5460.344	23006	- old type fitted for guard (special Nibbi)	3958042
	5460.261	23006	- old type isn't fitted for guard	3958042
A189	6927.392	23006	- starting from shown engine s.no	3958042
	6927.106	23006	- old type special Nibbi	02.08.2002
A218	1510.307	23005	- to replace old type see service letter 23008	3751430
A223	8345.034	829	-	05.1990
A235	8656.063	830	-	05.1990
A240		23004	- starting from shown engine s.no	3603557
A241		23004	- starting from shown engine s.no	3603557
A242		23002	- starting from shown engine s.no	3514270