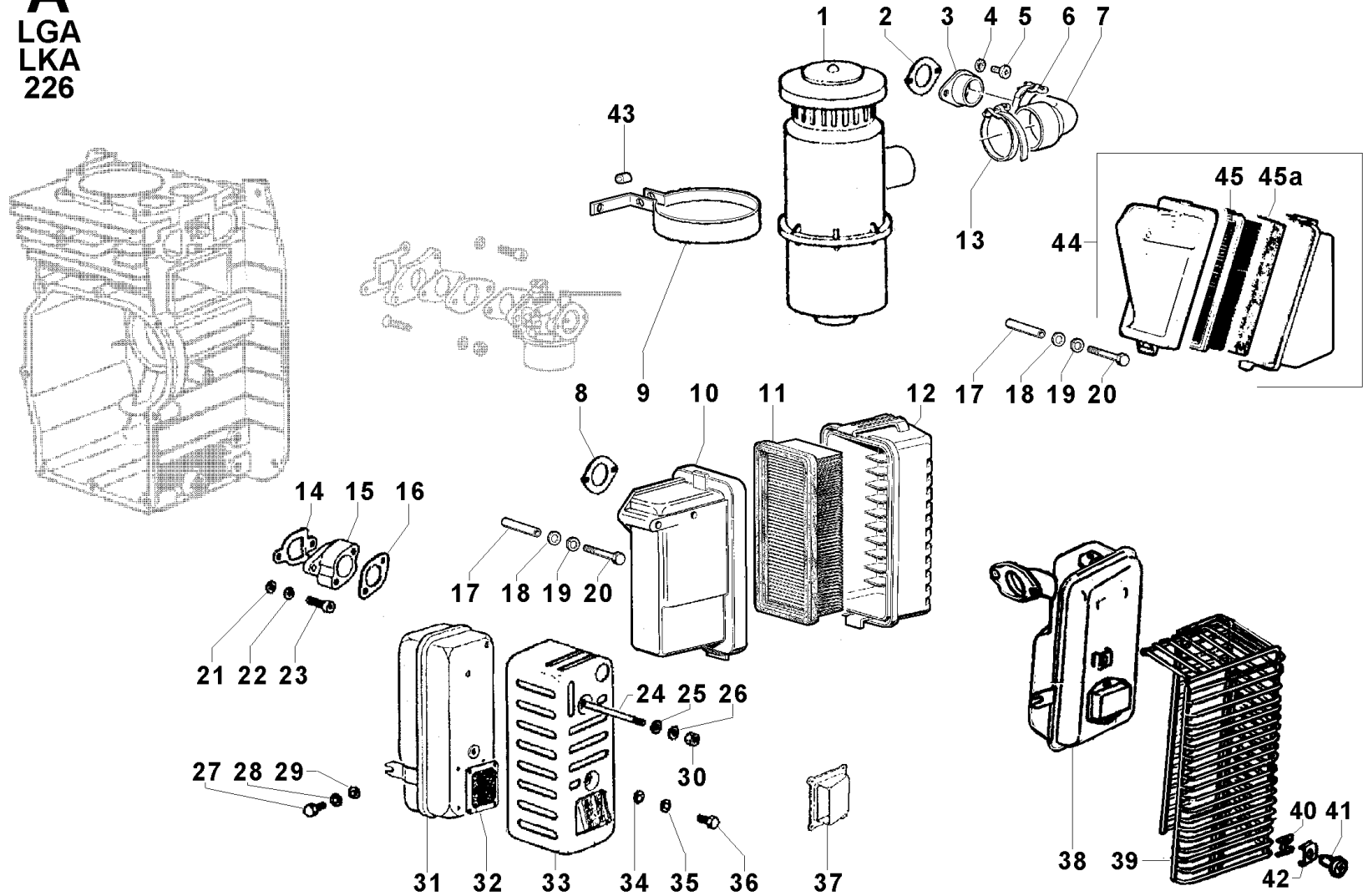


A
LGA
LKA
226



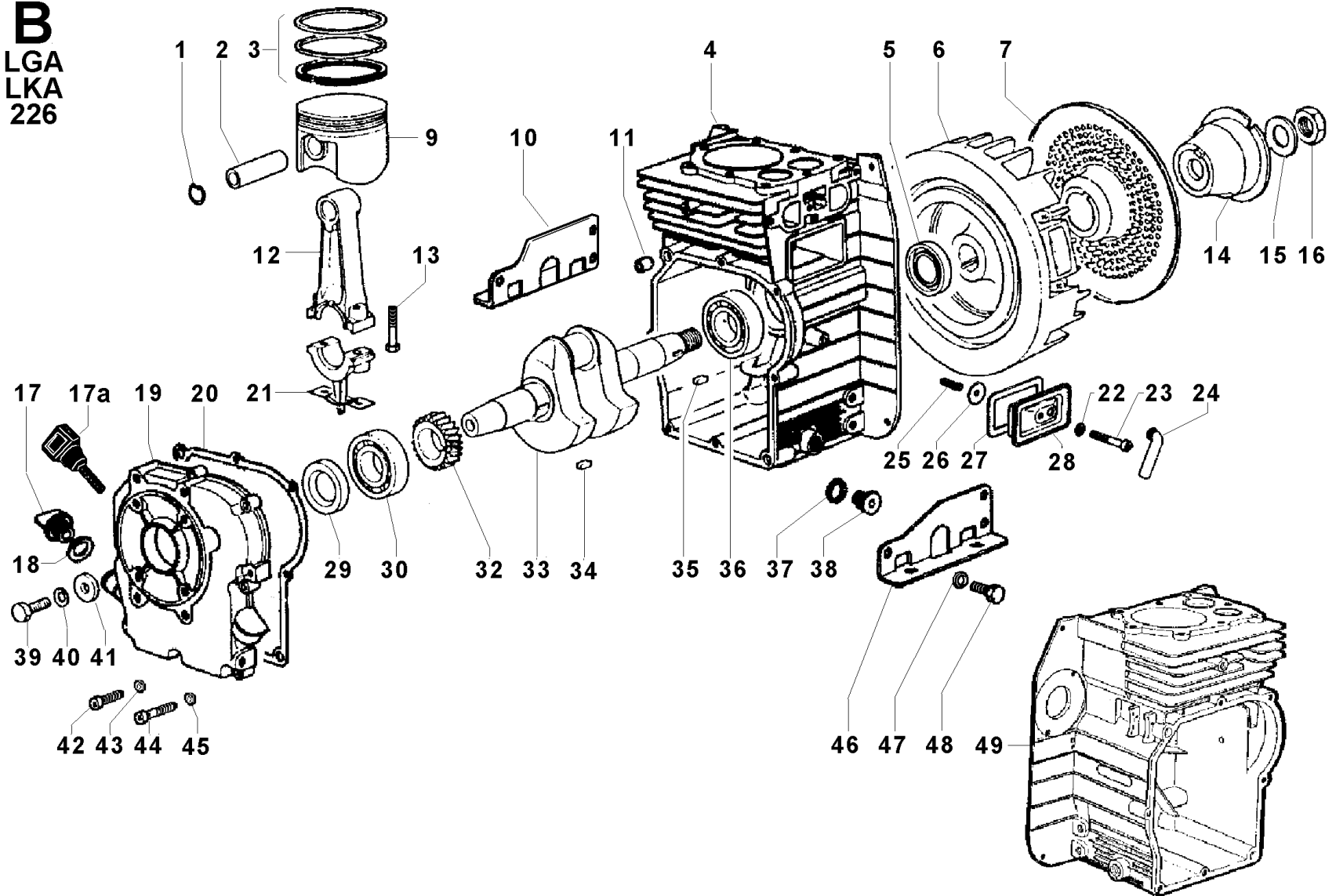
INTAKE AND EXHAUST

POS.	CODE	DESCRIPTION	Qty
1	387A.191	oil bath air cleaner	1
2	4775.541	gasket carburetor-oil bath air cleaner	1
3	3781.138	inlet flange	1
4	7645.010	washer	2
5	9800.082	screw M 6 X 35	2
6	3630.037	clamp diam.24-36	1
7	2942.181	elbow (d.38-d.24)	1
8	448A.156	gasket carburetor-dry air cleaner	1
9	8545.642	air cleaner support	1
10	«-----»	see Pos. A 12	0
11	2175.251	air clean.cartridge	1
12	3700.393	DRY AIR CLEANER	1
13	3630.038	clamp diam. 32-52	1
14	4501.132	exhaust gasket	1
15	3825.047	flange for muffler	1
16	4501.133	exhaust gasket	1
17	3527.491	spacer	2
18	771R.001	washer diam. 5,3	2
19	7565.003	washer diam. 5	2
20	«-----»	screw M 5 X 50	0
21	7625.008	washer diam. 6,4	2
22	7565.004	washer diam. 6	2
23	9732.078	screw M 6 X 25	2
24	6760.108	stud M 6X77 Cl.8.8	2
25	7625.008	washer diam. 6,4	2
26	7565.004	washer diam. 6	2
27	1760.032	bolt M 6 X 1 X 14	1
28	7565.004	washer diam. 6	1
29	7625.008	washer diam. 6,4	1
30	3240.009	nut M 6	2
31	«-----»	EXHAUST MUFFLER assembly no longer avail. See bare muffler + A3	0
31	526A.400	exhaust muffler	1
32	3360.057	strainer	1
33	6927.449	muffler guard	1
34	7565.004	washer diam. 6	1
36	1760.032	bolt M 6 X 1 X 14	1
37	3350.135	deflector	1
38	526A.378	exhaust muffler assembly	1
39	«-----»	muffler guard (grilled type)	0
40	2183.098	hinge link	4
41	9865.122	screw M 6 X 12	4
42	6370.140	plate	4
43	3527.430	spacer	1
44	3700.416	dry air cleaner	1
45	2175.251	air clean.cartridge	1
45a	670A.108	prefilter	1

INTAKE AND EXHAUST

Pos.	Old part	Serv.Lett.	Notes	S.No/Date
A	43	23014	-	7844712

B
LGA
LKA
226



CONN.ROD/PISTON/CRANKSHAFT/FLYWHEEL/CRANKCASE/FLANGING

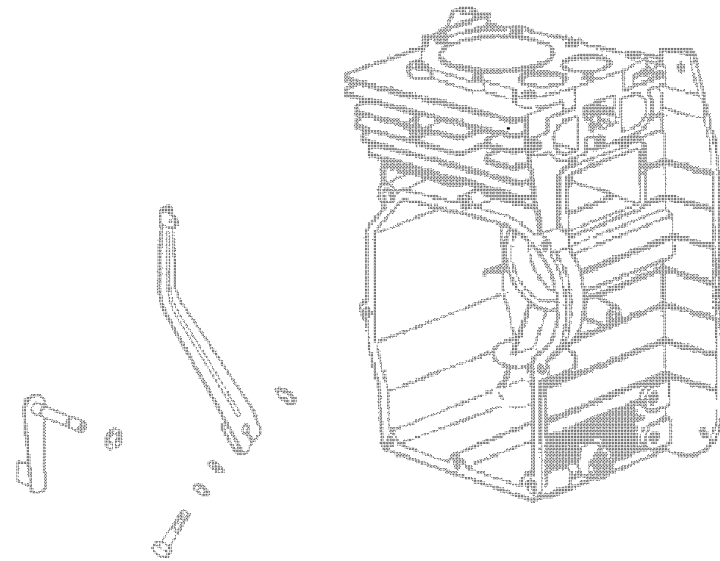
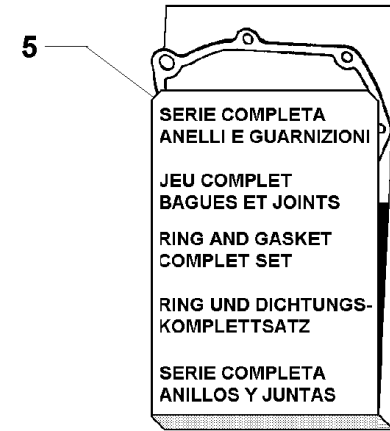
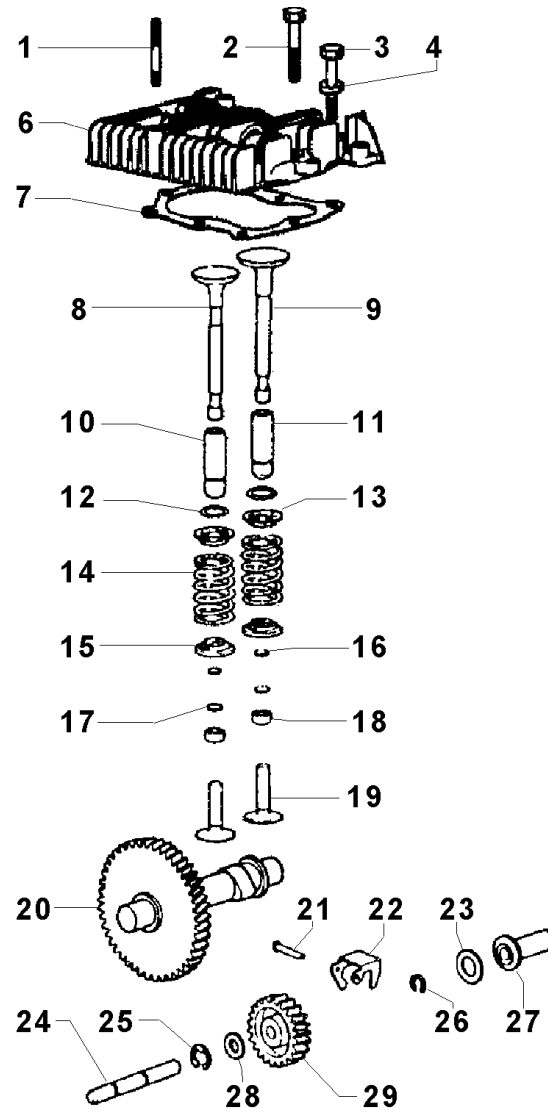
POS.	CODE	DESCRIPTION	Qty
1	1160.064	piston pin ring	2
2	8480.102	gudgeon pin	1
3	8211.254	ring set std.	1
3	8211.255	ring set +0,50	1
3	8211.256	ring set +1,00	1
4	1510.824	CRANKCASE	1
4	1510.825	CRANKCASE	1
5	1213.055	seal ring 25X40X7	1
6	9881.294	flywheel std.	1
7	5096.090	flywheel guard	1
9	6501.566	PISTON SET std	1
9	6501.567	PISTON SET +0,50	1
9	6501.568	PISTON SET +1,00	1
10	6427.076	engine mount	1
11	1970.435	sleeve	2
12	1526.212	CONNECTING ROD std	1
12	1526.213	CONNECTING ROD -0,25	1
12	1526.214	CONNECTING ROD -0,50	1
13	1760.012	bolt	2
14	6961.112	pulley	1
15	7625.120	washer 19X34X3	1
16	3260.023	nut M 18	1
17	9032.056	FILLER OIL CAP	1
18	1200.267	ring	1
19	«-----»	GEAR COVER	0
20	4601.176	gasket	1
21	6330.091	plate	1
22	4480.001	gasket diam. 6X12X1,5	1
23	9732.018	screw M 6 X 45	1
24	9580.084	breather hose	1
25	5660.080	spring	1
26	5498.025	diaphragm	1
27	4680.082	gasket	1
28	2750.365	BREATHER CAP	1
29	1213.055	seal ring 25X40X7	1
30	3001.082	ball bearing	1
32	4936.253	crankshaft gear	1
33	1050.997	CRANKSHAFT std	1
33	1051.124	crankshaft ext. 4	1
34	2200.022	key	1
36	3001.082	ball bearing	1
37	7701.189	washer	1
38	9040.012	plug M 14	1
39	1770.006	bolt M 8 X 1,25 X 25	1
40	7565.007	washer diam. 8	1
41	7625.291	washer 8,4X23X4	1
42	9732.078	screw M 6 X 25	6
43	7645.005	washer diam. 6	6
44	9730.016	screw M 6 X 35	2
45	7645.005	washer diam. 6	2
46	6427.075	engine mount	1
47	7565.007	washer diam. 8	6
48	1770.004	bolt M 8 X 1,25 X 20	6

Group: LGA-LKA 226
Engine: LGA 226 Drawing: B

CONN.ROD/PISTON/CRANKSHAFT/FLYWHEEL/CRANKCASE/FLANGING

POS.	CODE	DESCRIPTION	Qty
49	«-----»	see Pos. F 33	0

C
LGA
LKA
226



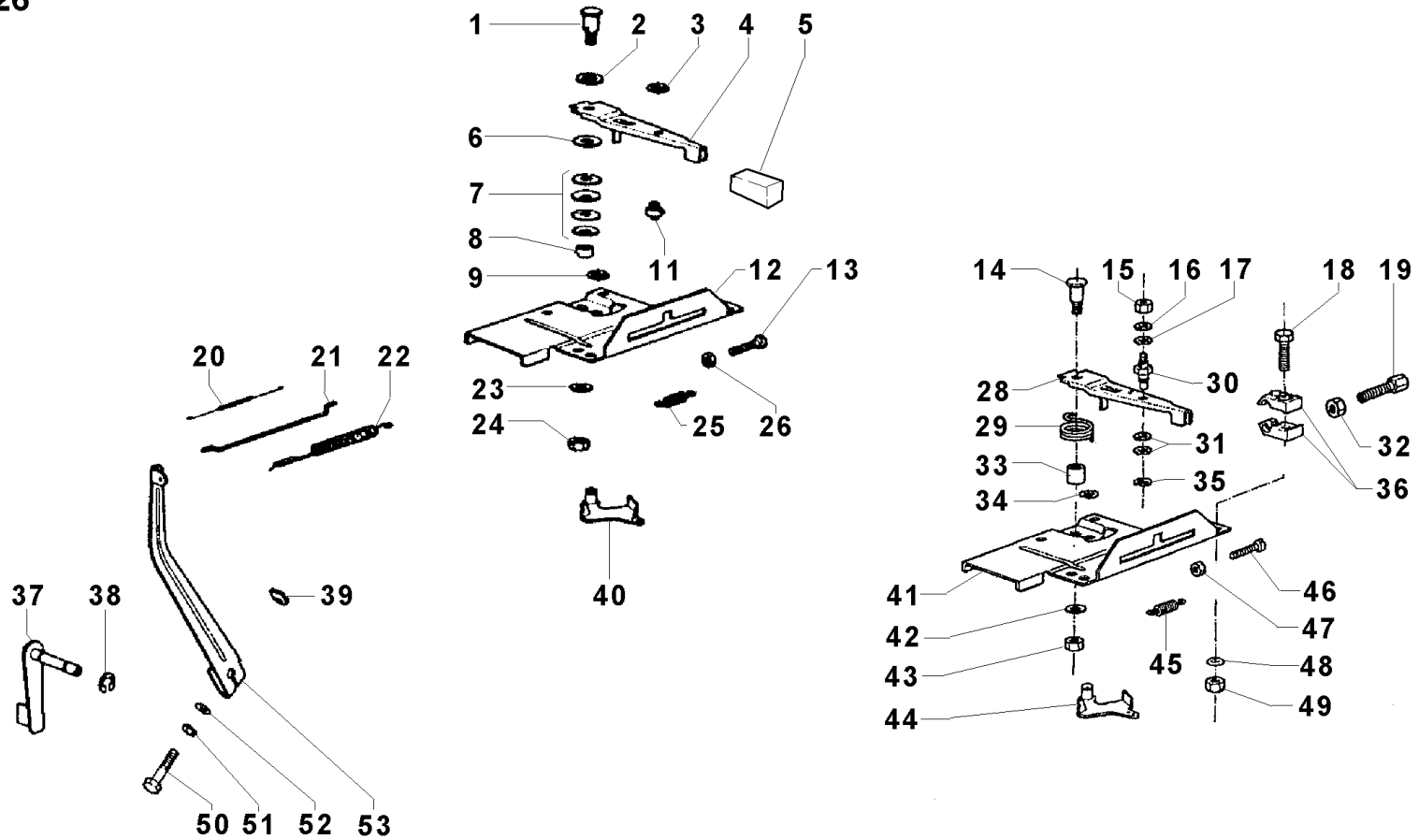


Group: LGA-LKA 226
 Engine: LGA 226 Drawing: C

CYLINDER HEAD/VALVES/TIMING/SPEED GOVERNOR

POS.	CODE	DESCRIPTION	Qty
1	6760.100	stud M 6 X 45	1
2	1770.031	bolt M 8 X 1,25 X 50	6
3	1770.065	bolt M 8 X 1,25 X 65	2
4	7625.290	washer 8,5X19X4	8
5	8180.202	gasket set	1
6	9200.706	cylinder head LGA	1
7	4730.722	head gasket	1
8	9685.152	exhaust valve	1
9	9652.159	intake valve	1
10	4845.250	EXH.VALVE GUIDE	1
11	4845.249	INLET VALVE GUIDE	1
12	1160.058	lockwasher	2
13	6400.086	cup	2
14	5755.150	valve spring	2
15	6400.085	cup	2
16	8335.197	spacer 0,1	2
17	8335.198	spacer 0,2	4
18	2135.102	cap	2
19	7215.134	push rod	2
20	1011.532	camshaft	1
21	7481.073	nail	2
22	5496.343	weight speed gov.	2
23	7520.014	washer 12,2X20X0,3	1
24	«-----»	F 48	0
25	1165.006	circlip diam. 7	1
26	1160.064	piston pin ring	1
27	«-----»	push rod	0
28	7520.012	washer	1
29	4936.254	governor gear	1

D
LGA
LKA
226



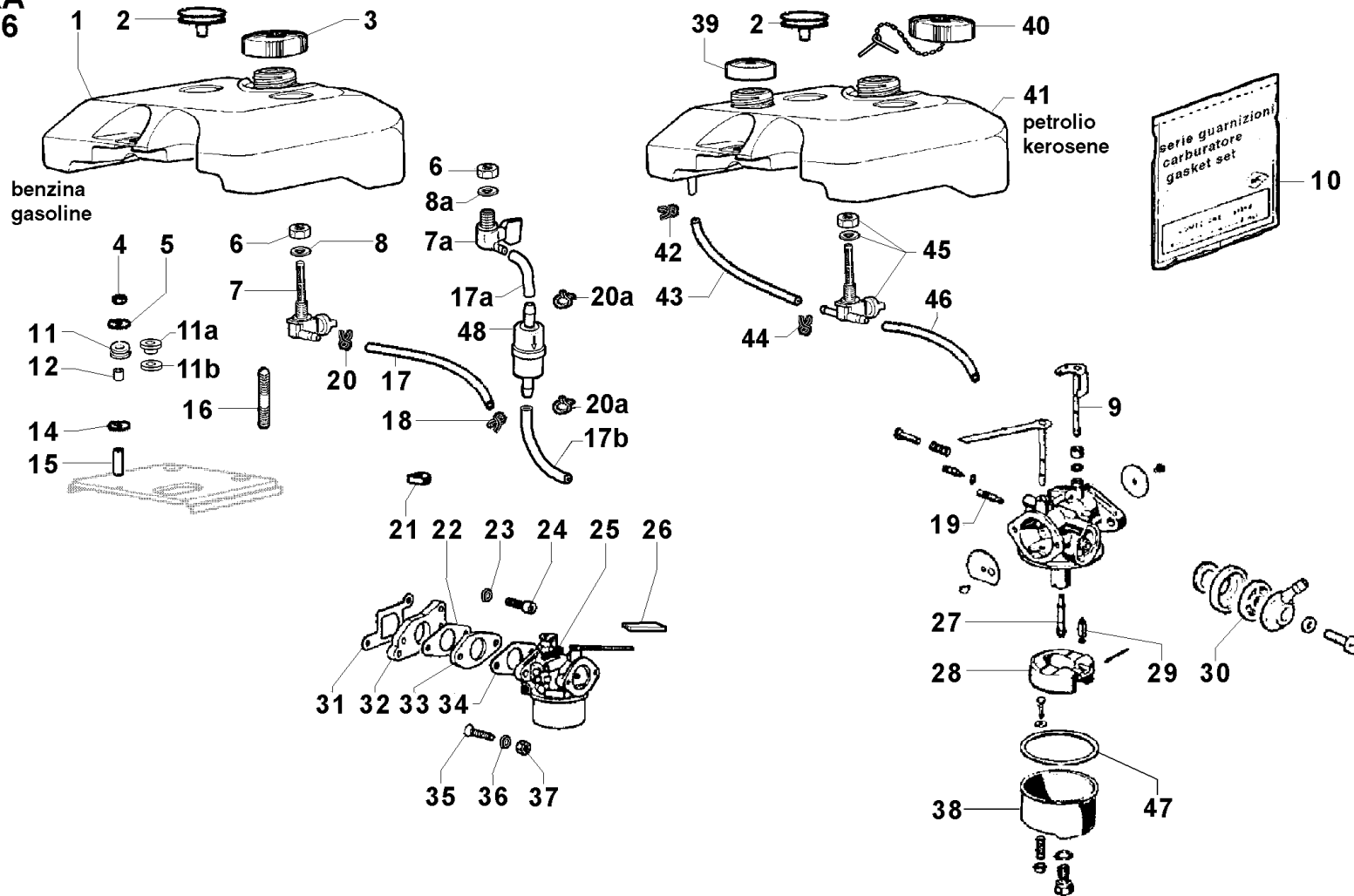
CONTROLS

POS.	CODE	DESCRIPTION	Qty
1	<----->	pin	0
2	7520.012	washer	1
3	1165.004	circlip diam. 5	1
4	5201.115	lever	1
5	<----->	jacket - no longer avail.	0
6	7520.012	washer	1
7	5801.570	spring	1
8	3527.489	spacer	1
9	1165.004	circlip diam. 5	1
11	3675.023	lock	1
12	2516.193	ACCEL. HAND CONTROL	1
13	9790.077	screw TC M 4 X 20 UNI 6107 4S	1
14	<----->	pin	0
15	3240.004	nut M 5	1
16	771R.001	washer diam. 5,3	1
17	7625.008	washer diam. 6,4	1
18	1760.006	bolt M 6 X 1 X 20	4
19	9180.191	adjuster M 6	2
20	5801.586	spring	1
21	9235.039	tie rod	1
22	5655.343	gov.spring 2400 R.P.M. (engine with dry air cleaner)	1
22	5655.364	gov.spring 3600 R.P.M. (engine with dry air cleaner)	1
23	7625.008	washer diam. 6,4	1
24	3240.008	nut M 6	1
25	5801.585	spring	1
26	3240.003	nut M 4	1
28	5201.115	lever	1
29	5660.081	recovery spring	1
30	<----->	clamp	0
31	7625.292	washer	2
32	3240.008	nut M 6	1
33	353A.160	spacer	1
34	1165.004	circlip diam. 5	1
36	5830.179	clamp	2
37	5201.113	lever	1
38	1165.004	circlip diam. 5	1
39	3240.004	nut M 5	1
40	5201.114	upper lever	1
41	612A.140	REMOTE ACCEL.CONTROL	1
42	7625.008	washer diam. 6,4	1
43	3240.008	nut M 6	1
44	5201.114	upper lever	1
45	5801.585	spring	1
46	9790.077	screw TC M 4 X 20 UNI 6107 4S	1
47	3240.003	nut M 4	1
48	7625.008	washer diam. 6,4	1
49	3240.008	nut M 6	1
50	<----->	bolt M 5 X 25	0
51	7645.001	washer diam. 5	4
52	771R.001	washer diam. 5,3	1
53	5201.116	lever	1

CONTROLS

Pos.	Old part	Serv.Lett.	Notes	S.No/Date
D 22		23014	- starting from shown engine s.no	7844712

E
LGA
LKA
226



FUEL SYSTEM/FUEL TANK/CARBURETOR

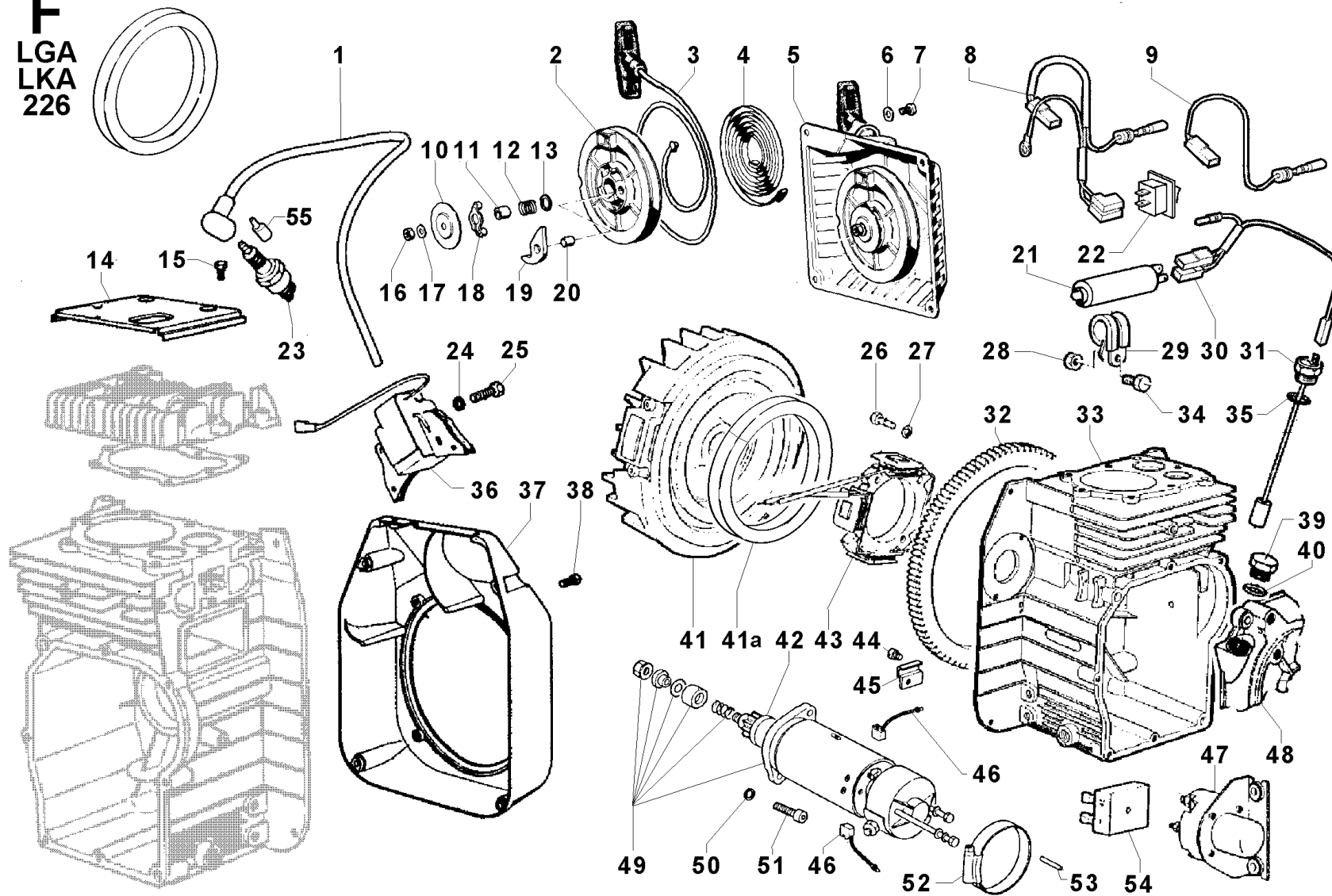
POS.	CODE	DESCRIPTION	Qty
1	8103.306	FUEL TANK	1
2	2750.366	cover	1
3	9043.096	fuel tank cap std.	1
4	3203.048	nut M 6	3
5	7626.051	washer diam. 6,2	3
6	3240.132	nut M 10	1
7	<----->	shut off valve	0
7a	7755.091	shut off valve	1
8	<----->	seal gasket	0
8a	449A.301	seal gasket	1
9	6100.043	throttle rod	1
10	8180.203	gasket set	1
11	<----->	vibration-damping - see Pos. E 11a + E 11b	0
11a	8636.197	vibration-damping	3
11b	8636.198	vibration-damping	3
12	1970.436	spacer	3
14	7626.051	washer diam. 6,2	3
15	3527.488	spacer	3
16	6760.107	stud M 6X55 Cl.8.8	2
18	<----->	clamp (max.9,3-min.8,8) - no longer avail.	0
19	4126.088	idle jet	1
20	<----->	clamp (max.9,3-min.8,8) - no longer avail.	0
20a	375A.132	clamp (max.9,3-min.8,8) - no longer avail.	2
21	5830.177	clamp	1
22	4775.190	carburetor gasket	1
23	7645.005	washer diam. 6	2
24	9732.078	screw M 6 X 25	2
25	2151.280	carburetor diam. 95	1
25	2151.281	carburetor (dry air cleaner and gen.sets) d 95	1
25	2151.301	carburetor diam.92 (oil bath air cleaner)	1
25	2151.306	carburetor diam. 95 with breather recovery	1
26	2135.103	butterfly valve link cap	1
27	363A.118	main jet diam.92	1
27	4126.089	main jet diam. 95	1
28	4105.021	float	1
29	9850.127	needle valve not cushioned	1
30	3730.049	fuel filter	1
31	4420.077	gasket	1
32	3781.137	inlet flange	1
33	3902.338	carburetor flange	1
34	4775.190	carburetor gasket	1
35	9800.082	screw M 6 X 35	2
36	7645.005	washer diam. 6	2
37	3240.008	nut M 6	2
38	9710.075	float	1
47	non cod.	bowl gasket - see Pos. E 10	0
48	391A.104	fuel filter	1

Additional Info - Engine: LGA 226 Drawing: E

FUEL SYSTEM/FUEL TANK/CARBURETOR

Pos.	Old part	Serv.Lett.	Notes	S.No/Date
E 7	7755.108	23015	-	5129045
E 7a		23015	-	5129045
E 8	4580.186	23015	- substitution	5129045
E 8a		23015	- substitution	5129045
E 20a		23015	-	5129045
E 25	2151.282	23014	-	7844712
E 27	4126.090	23014	-	7844712
E 48		23015	-	5129045

F
LGA
LKA
226





COOLING SYSTEM/STARTING/ELECTRICAL COMPONENTS

POS.	CODE	DESCRIPTION	Qty
1	2185.956	spark plug wire	1
2	7100.291	pulley	1
3	4055.040	rope ass.y	1
4	5801.179	rewind spring	1
5	1471.078	rewind starting	1
6	7565.004	washer diam. 6	4
7	9730.309	screw M 6 X 8	4
8	3695.086	earthed wiring	1
9	383A.154	earthed wiring std	1
10	2136.027	cap	1
11	3466.048	spacer	1
12	5725.044	spring	1
13	7625.136	washer	1
14	2920.177	panel std.	1
15	1760.003	bolt M 6 X 1 X 12	2
16	3240.008	nut M 6	1
17	7540.004	washer	1
18	5200.397	lever	1
19	6370.201	plate	1
20	«-----»	pin	0
21	8345.069	warning device	1
22	5041.260	earth push button	1
23	147A.131	spark plug for unloaded petrol	1
24	7645.005	washer diam. 6	2
25	1760.006	bolt M 6 X 1 X 20	4
27	7645.005	washer diam. 6	2
28	3240.008	nut M 6	1
29	8903.101	warning light support	1
30	2186.132	wire for oil watch	1
31	4906.057	oil watch	1
32	2816.110	crown gear	1
33	«-----»	CRANKCASE	0
33	1510.826	CRANKCASE	1
34	1760.032	bolt M 6 X 1 X 14	1
35	1200.076	O ring 2050	1
36	1567.223	coil	1
37	227A.325	shroud LGA	1
37	227A.327	shroud LGA	1
38	9730.010	screw M 6 X 16	4
39	8965.005	oil drain plug M 14	1
40	1200.076	O ring 2050	1
41	976A.216	el.start.flywheel	1
41a	220A.119	alternator rotor	1
42	6456.046	pinion for starting motor	1
43	1157.322	alternator 12V 70W - 2wires	1
44	9790.003	screw M 4 X 6	1
45	«-----»	safety plate - no longer avail.	0
46	8310.043	brush set	1
47	5041.019	relay	1
48	«-----»	COVER	0
49	5840.188	starting motor	1
50	7645.005	washer diam. 6	4
51	9732.078	screw M 6 X 25	2

Group: LGA-LKA 226
Engine: LGA 226 Drawing: F

COOLING SYSTEM/STARTING/ELECTRICAL COMPONENTS

POS.	CODE	DESCRIPTION	Qty
52	3617.203	clamp diam. 40 - 60	1
53	8430.107	lockpin diam. 3X28 UNI 6873	1
54	6607.016	rectifier bridge	1
55	9180.199	spark plug end	1

Z
LGA
LKA
226



Group: LGA-LKA 226
Engine: LGA 226 Drawing: Z

SHORT BLOCK

POS.	CODE	DESCRIPTION	Qty
1	1560.294	short block fitted for el.start and oil-alert device - conical	1

