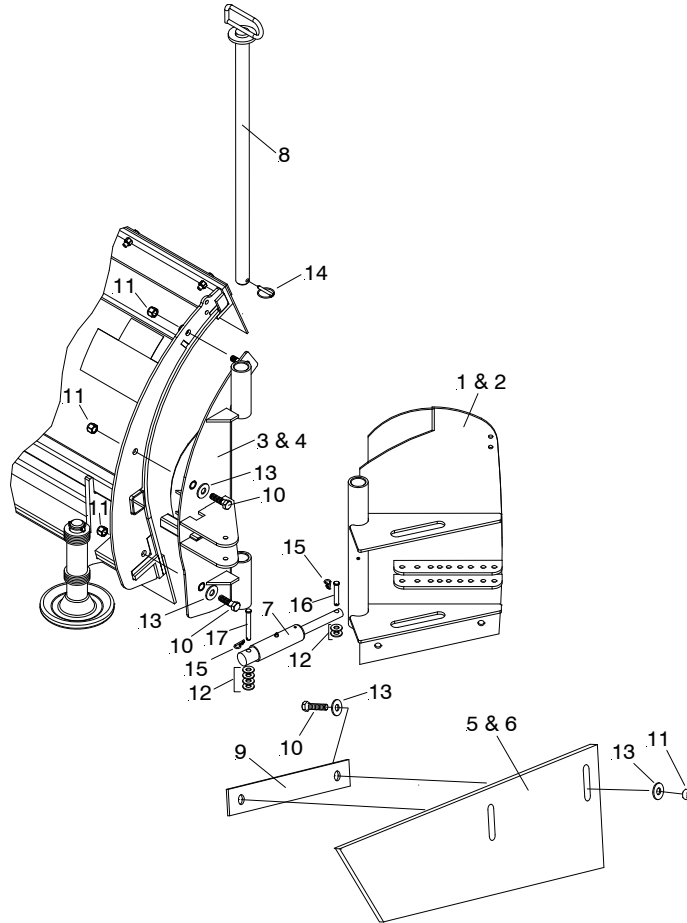


Parts & Installation Instructions

AG & Lot Pro Series (08380)

Steel & Poly Molboard EZ-Wing MP



Parts List

Item	Part No.	Qty.	Description
	08380		EZ-Wing MP
1	10210	1	• RH (Passenger Side) Wing
2	10209	1	• LH (Driver Side) Wing
3	10214	1	• RH (Passenger Side) Wing Pivot
4	10215	1	• LH (Passenger Side) Wing Pivot
5	13342	1	• RH (Passenger Side) Wing Rubber Edge
6	13341	1	• LH (Driver Side) Wing Rubber Edge
7	07715	2	• Wing Spring Ram
8	12758	2	• Pivot Pin with Handle
9	13345	2	• Strap
	08333	1	• Hardware Bag
10	20097	8	• Bolt 1/2-13 x 2" Gr.5
11	20307	10	• Locknut 1/2-13
12	20353	14	• Flatwasher 3/8"
13	20355	30	• Flawasher 1/2"
14	22083	2	• Lynch Pin
15	22845	4	• Hairpin 1/8 x 1-15/16"
16	22852	2	• Pin 3/8 x 2-1/4"
17	22942	2	• Clevis Pin 3/8 x 3"

Parts indented are included in the assembly under which they are indented.

NOTE: The 08380 EZ-Wing MP is not recommended to be used with a rubber or urethane cutting edge.

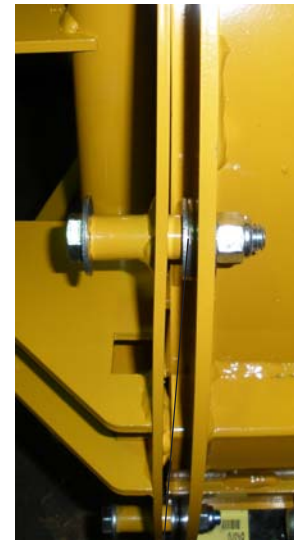
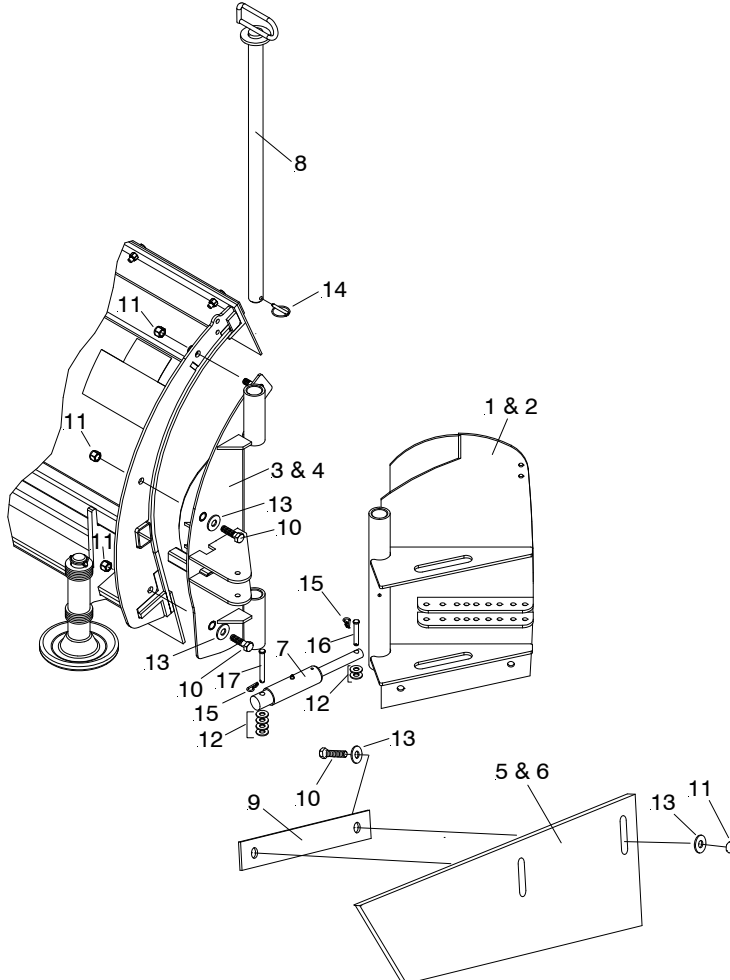
Meyer Products LLC reserves the right, under its continuing product improvement program, to change construction or design details, specifications and prices without notice or without incurring any obligation.

INSTALLATION INSTRUCTIONS

- A. Install LH & RH Wing Pivot (3 & 4) to moldboard using Bolt H 1/2-13 x 2" (10) and 1/2-13 Locknut (11). 1/2" Washers (13) supplied are used to shim between moldboard and pivot.
- B. Attach LH & RH Wing (1 & 2) to LH & RH Wing Pivot (3 & 4) using Pivot Pin with Handle (8) and Lynch Pin (14). Be sure to grease Pivot Pin with Handle (8) before assembly.
- C. Attach Spring Cylinders (7) to LH & RH Wing (1 & 2) & LH & RH Wing Pivot (3 & 4) using Hinge Pin (16 & 17) and Lynch Pin (15).
- D. Remove plow markers from snow plow and attach to LH & RH Wing (1 & 2).
- E. Install RH (passenger side) Wing Rubber Edge (5) and Strap (9) to RH Wing (1) using 1/2-13 x 2" Bolt (10), 1/2" Flatwasher (13) and 1/2-13 Locknuts (11). Adjust RH (passenger side) Wing Rubber Edge (5) so it will rest flat on the ground when moldboard is on the ground. Tighten Fasteners at this time.
- F. Repeat above installation instructions for Rubber Edge (6) on LH Wing (2).

Operation

The EZ-Wing MP can be positioned straight (90 degrees to the plow) to create a box plow, (45 degrees to the plow or 0 degrees to the plow). The Wings can also be quickly removed to by pulling out Pivot Pin with Handle (9).



Wing Pivot should be shimmed with 1/2" washers supplied to keep the pivot parallel with the moldboard.