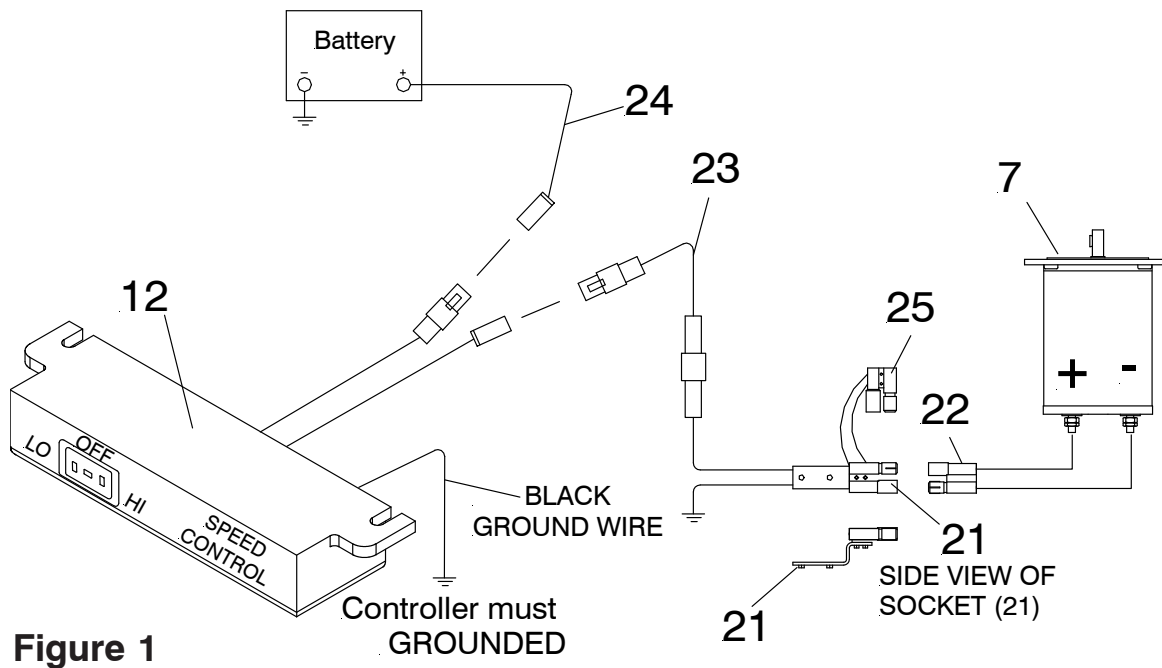


PARTS & INSTALLATION INSTRUCTIONS

MEYER BL 240 (31120) & BL 400 (36120) SPREADER

PARTS LIST

Item	Part No.	Qty.	Description	Item	Part No.	Qty.	Description
1	31101	1	• 240 Hopper		31103	1	• 240/400 Wiring Kit
1	36101	1	• 400 Hopper	21	36240	1	•• Socket Assy. w/Mtg. Plate
2	31102	1	• Hopper Cover	22	36241	1	•• Plug Assembly
3	34413	1	• 240/400 Spreader Frame	23	36242	1	•• Wire, Red 22"
4	34415	1	• Deflector Bracket	24	36247	1	•• Wire, Red 96"
5	34401	1	• Deflector	25	36248	1	•• Dummy Plug
6	34416	2	• Tube Plug	• Parts indented are included in carton, bag or assembly under which they are indented.			
7	36402	1	• Motor 12V D.C.				
8	36151	1	• Auger Weldment				
9	36152	1	• Spinner Hub Weldment				
10	36158	2	• Spinner Mounting Plate				
11	36414	1	• Spinner (Poly)				
12	34417	1	• 2 Speed Controller				
13	20006	3	• Bolt H 1/4 - 20 x 1-1/4" Gr. 2				
14	20010	4	• Bolt H 1/4 - 20 x 2-1/4" Gr. 2				
15	20027	4	• Bolt H 5/16 - 18 x 1" Gr. 2				
16	20028	4	• Bolt H 5/16 - 18 x 1-1/4" Gr. 2				
17	20303	7	• Locknut 1/4 Esna				
18	20313	8	• Locknut 5/16 Esna				
19	20351	8	• Flatwasher 1/4				
20	20352	16	• Flatwasher 5/16				



Meyer Products reserves the right, under its continuing product improvement program, to change construction or design details, specifications and prices without notice or without incurring any obligation.

Meyer Products LLC
18513 Euclid Ave. • Cleveland, Ohio 44112-1084
Phone 486-1313 (Area Code 216)
www.meyerproducts.com • email info@meyerproducts.com

Meyer Products LLC
6 Angell Lane • Damariscotta, ME 04543-4507
Phone 563-2227 (Area Code 207)
www.meyerproducts.com • email info@meyerproducts.com

GENERAL INFORMATION

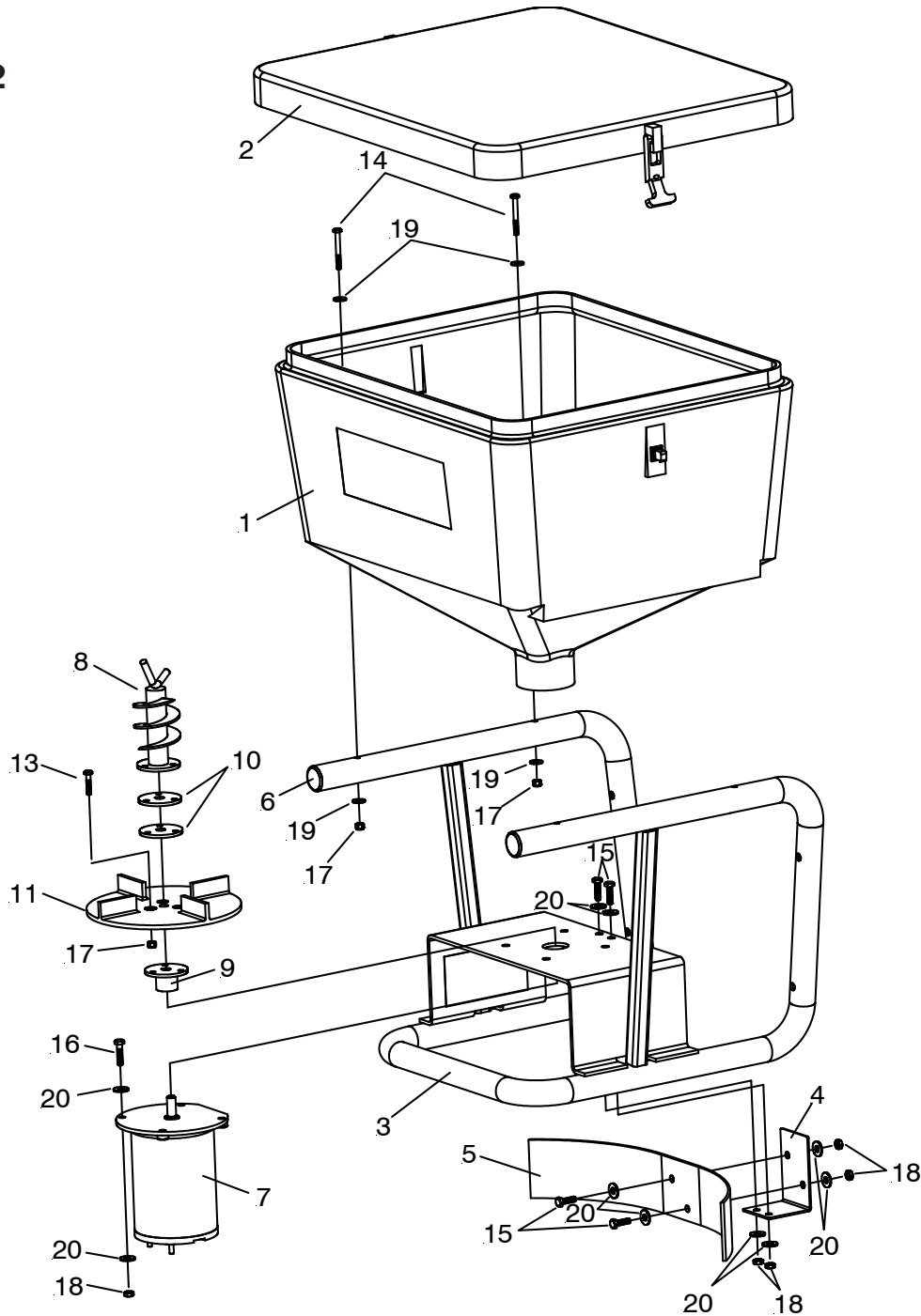
CAUTION: Always disconnect battery before beginning installation.

Check contents against the parts list to determine all are correct and included, and also to familiarize yourself with them.

Locknuts are furnished. **DO NOT tighten bolts and nuts until** installation is complete (unless otherwise specified), then be sure to tighten all attaching parts per specified torque chart.

When ordering parts, furnish Part No., Name and Description.

Figure 2



CAUTION

READ THIS! . . . Serious damage to Speed Control will result if the following precautions are not followed:

- 1] Do not install Speed Control until all other wiring is installed and Motor is test-run.
- 2] Be certain to connect red wire to (+) terminal of Motor. Connecting to (-) terminal will burn up Speed Control. Tape this (+) connection so it cannot accidentally be grounded.
- 3] After wires are in place, but before connecting Speed Control, connect a jumper wire from the red wire (23) to the red wire (24). The motor should run, indicating proper grounding and wire installation. Remove jumper wire.
- 4] After the Motor has successfully been test run, the Speed Control can be installed. Do not allow the red wire from the control to accidentally contact any grounded object, including the control case itself.

Failure to follow these precautions could cause the red (output) wire from the Speed Control to make contact with ground, causing the Speed Control to burn up. Any grounding or shorting of the red (output) wire which results in a burned Speed Control is **not** covered by warranty.

1. Choose a location for the Speed Control (12) that is convenient for the driver. Make certain speed control (13) is grounded by attaching ground wire to a good vehicle ground.
2. Attach the eyelet end of the 96" red wire (24) to the positive terminal of the battery and route the plug end to the location of the speed control. **DO NOT attach to** Speed Control (12) at this time.
3. Take the 222" red wire (23) and route the large rubber plug end to the rear of the truck, securely tying to vehicle frame. Be certain wire is clear of any sharp or moving objects or the vehicle's exhaust system.

CAUTION: Some vehicles are designed to operate with exhaust temperatures as high as 1800 F. This can easily damage any wires which are routed too closely or allowed to come in contact with any portion of the exhaust system. Be certain all wires are securely installed away from the exhaust system.

4. Be certain the motor leads will not be strained when the plug is attached. Plug the 222" red wire (23) into the socket. Secure black wire from socket (21) to a good grounding point on vehicle frame. Clean all rust or undercoating from this area.
5. Attach red wire from motor plug (22) to positive (+) terminal of motor. Tape this connection! Attach black wire to negative (-) terminal of motor. Push plug (22) into the socket (21). If spreader is removed, protect the socket (21) using dummy plug (25).

6. Perform the motor run test as described in paragraphs 3 and 4 of the "Caution" above. If the motor operates 222" red wire (23) and 96" red wire (24) can be attached to their respective terminals on the speed control (12).

OPERATION OF SPREADER

1. Fill Hopper with #1 Rock Salt or Calcium Chloride from bags. **Do not use bulk material.**

CAUTION: When filling Hopper, make certain there are no large objects contained in the material which could cause the Auger Spinner to bind and stop operation of the Spreader Motor. It is recommended to check for free rotation of the Auger Spinner before operating the Spreader due to possible buildup of material between the Auger and neck of the Hopper.

2. The Spreader Controller has 2 speeds, Lo and Hi for flow rate of material.

MAINTENANCE INSTRUCTIONS

Maintenance requirements for the Spreader during the winter season are relatively simple. Periodically inspect for loose bolts and nuts. Inspect for improper ground, broken wires, frayed or cracked wire insulation. Replace as necessary.

To keep maintenance to a minimum, the following cautions are suggested:

1. Do not attempt to clear Auger or Spinner or to perform any other maintenance or repair work on this Spreader unless the ignition switch is in the "OFF" position and the Motor Plug (22) is disconnected from the Socket Assembly (21).
2. Salt must be loose and free from lumps and must be kept dry.
3. Empty Hopper after each use and hose the Spreader off.
4. When the Spreader is no longer being used, remove it from the tailgate. Remove any rust or corrosion from the metal parts, then prime the paint. Store Spreader in a suitable location and attach dummy plug (25) to socket (21) to protect from corrosion.