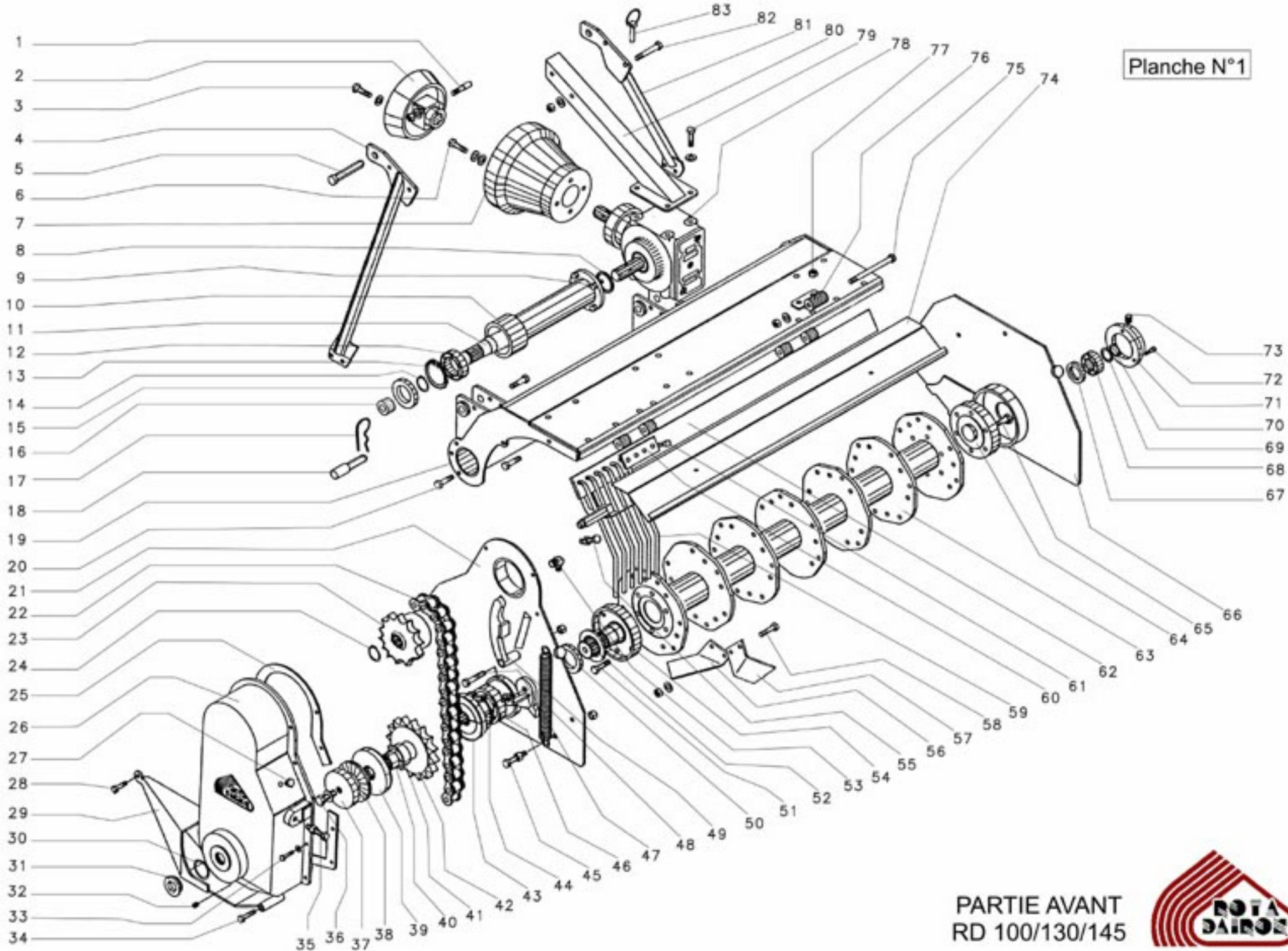


Planche N°1



PARTIE AVANT
RD 100/130/145

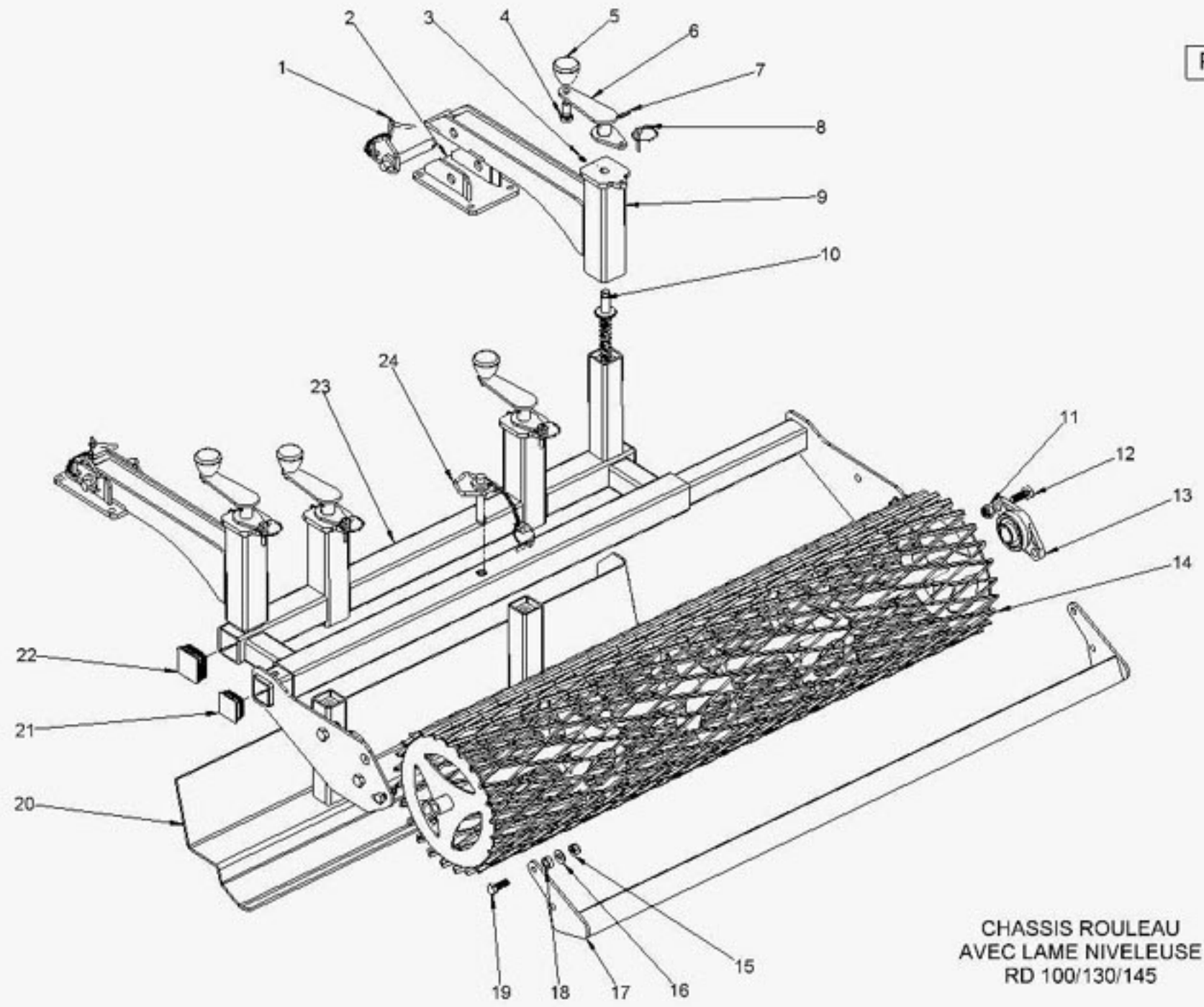


SPARE PARTS LIST DRAWING NR 1 RD 100 / 130 / 145

NR	DESIGNATION	SPARE PARTS REFERENCES					
		RD 100	QTY	RD 130	QTY	RD 145	QTY
1	CONICAL BOLT	4000.1063	1	4000.1063	1	4000.1063	1
2	INERTIA WHEEL	5100.800.1004	1	5100.800.1004	1	5100.800.1004	1
3	SCREW T.H 10 * 30 ZBJ	850.2002	4	850.2002	4	850.2002	4
	WASHER W10 ZBJ	695.1014	4	695.1014	4	695.1014	4
4	LEFT TIE TUBE	5100.760.D032	1	5100.760.D032	1	5100.760.D032	1
5	HITCHING AXIS	120.1005	1	120.1005	1	120.1005	1
6	SCREW T.H 10 * 25 ZBJ	850.2003	4	850.2003	4	850.2003	4
	WASHER W10 ZBJ	695.1014	4	695.1014	4	695.1014	4
	WASHER MU10 ZBJ	695.1017	4	695.1017	4	695.1017	4
7	GUARDING	093.1001	1	093.1001	1	093.1001	1
8	O-RING GASKET	400.1012	1	400.1012	1	400.1012	1
9	SCREW CHC 10 * 30 ZBJ	850.3025	4	850.3025	4	850.3025	4
	WASHER W10 ZBJ	695.1014	4	695.1014	4	695.1014	4
10	TRUMPET WITH SHAFT RD 100	095.1004	1				
	TRUMPET WITH SHAFT RD 130			095.1005	1		
	TRUMPET WITH SHAFT RD 145					095.1010	1
11	TRUMPET SHAFT RD 100	100.1001	1				
	TRUMPET SHAFT RD 130			100.1002	1		
	TRUMPET SHAFT RD 145					100.1097	1
12	BALL BEARING	690.1011	1	690.1011	1	690.1011	1
13	CIRCLIPS Ø 85	190.1007	1	190.1007	1	190.1007	1
14	CIRCLIPS Ø 40	190.1001	1	190.1001	1	190.1001	1
15	PACKING RING	400.1001	1	400.1001	1	400.1001	1
16	SPACER	139.1004	1	139.1004	1	139.1004	1
17	PEG BETA 6	340.1001	2	340.1001	2	340.1001	2
18	HITCHING AXIS	120.U002	2	120.U002	2	120.U002	2
19	PORTABLE BONNET RD 100	5100.770.1027	1				
	PORTABLE BONNET RD 130			5130.770.1030	1		
	PORTABLE BONNET RD 145					5145.770.1111	1
20	SCREW T.H 10 * 25 ZBJ	850.2003	4	850.2003	4	850.2003	4
	NUT M10 DIN 985	260.1011	4	260.1011	4	260.1011	4
	BOLT 7/16 * 32	4000.001	4	4000.001	4	4000.001	4
	SCREW T.H 10 * 30 ZBJ	850.2002	2	850.2002	2	850.2002	2
	NUT M10 DIN 985	260.1011	2	260.1011	2	260.1011	2
21	LEFT SIDE	5100.195.1001	1	5100.195.1001	1	5100.195.1001	1
22	CHAIN	175.1001	1	175.1001	1	175.1001	1
23	PITCH CHAIN WHEEL	600.1001	1	600.1001	1	600.1001	1
24	CIRCLIPS Ø 40	190.1001	1	190.1001	1	190.1001	1
25	CORK GASKET FOR CHAIN CASE	420.1001	1	420.1001	1	420.1001	1
26	CHAIN CASE	180.1002	1	180.1002	1	180.1002	1
27	CAP	155.1003	1	155.1003	1	155.1003	1
28	SCREW T.H 10 * 30 ZBJ	850.2002	1	850.2002	1	850.2002	1
	NUT M10 DIN 985	260.1011	1	260.1011	1	260.1011	1
29	PROTECTION SLIDE BLOCK	5100.710.1001	1	5100.710.1001	1	5100.710.1001	1
30	GASKET	410.1001	1	410.1001	1	410.1001	1
31	CAP 45 * 200	155.1002	1	155.1002	1	155.1002	1
32	CAP 3/8 G	155.1001	1	155.1001	1	155.1001	1
33	SCREW T.H 8 * 30 ZBJ	850.2021	10	850.2021	10	850.2021	10
	NUT M8 DIN 985	260.1010	10	260.1010	10	260.1010	10
34	SCREW T.H 10 * 90 ZBJ	850.2001	1	850.2001	1	850.2001	1
	NUT M10 DIN 985	260.1011	1	260.1011	1	260.1011	1
35	SCREW T.H 16 * 110 ZBJ	850.2010	1	850.2010	1	850.2010	1
	NUT M 16	260.1015	1	260.1015	1	260.1015	1
36	SCREW T.H 16 * 50 10.9	850.1016	1	850.1016	1	850.1016	1
37	PRESSING DEVICE	145.1002	1	145.1002	1	145.1001	1
38	CUP SPRING	695.1032	2	695.1032	2	695.1032	2
39	FRONT HYDRAULIC CLUTCH DISC	5130.250.1004	1	5130.250.1004	1	5130.250.1004	1
40	BROACHED RING	140.1001	1	140.1001	1	140.1001	1
41	FRICTION RING	130.1001	1	130.1001	1	130.1001	1

LIST OF SPARE PARTS DRAWING NR 1 RD 100 / 130 / 145

NR	DESIGNATION	SPARE PARTS REFERENCES					
		RD 100	QTY	RD 130	QTY	RD 145	QTY
42	GEAR RING	5100.600.1002	1	5100.600.1002	1	5100.600.1002	1
43	REAR HYDRAULIC CLUTCH DISC	5130.250.1003	1	5130.250.1003	1	5130.250.1003	1
44	CIRCLIPS Ø 100	190.1006	1	190.1006	1	190.1006	1
45	SCREW T.H 12 * 60 ZBJ	850.2009	1	850.2009	1	850.2009	2
	NUT M 12 ZBJ DIN 985	260.1012	1	260.1012	1	260.1012	2
	NUT M 12 ZBJ DIN 4032	260.1014	1	260.1014	1	260.1014	1
46	BALL BEARING	690.1003	1	690.1003	1	690.1003	1
47	SCREW T.H 16 * 80	850.1015	1	850.1015	1	850.1015	1
	NUT M16 DIN 4032	260.1016	1	260.1016	1	260.1016	1
48	SELECTION GRATE SPRING	660.1005	1	660.1005	1	660.1005	2
49	CHAIN TENSIONER	5100.730.1001	1	5100.730.1001	1	5100.730.1001	1
50	PACKING RING	400.1005	1	400.1005	1	400.1005	1
51	SCREW T.H 1/2 * 43	850.1003	6	850.1003	6	850.1003	6
	NUT HH 1/2	260.1002	6	260.1002	6	260.1002	6
52	FELT RING	415.1001	1	415.1001	1	415.1001	1
53	BREATHER	265.1002	1	265.1002	1	265.1002	1
54	TRANSMISSION DISC	5100.630.1005	1	5100.630.1005	1	5100.630.1005	1
55	SCREW T.H 12 * 80 ZBJ	850.2014	2	850.2014	2	850.2014	2
	NUT M 12 ZBJ DIN 4032	260.1014	2	260.1014	2	260.1014	2
56	LEFT BLADE	450.1001	18	450.1001	21	450.1001	24
57	RIGHT BLADE	450.1002	18	450.1002	21	450.1002	24
58	BLADE BOLTS	4000.001	76	4000.001	84	4000.001	96
59	GRATE FINGER	210.1001	36	210.1001	44	210.1001	49
60	GRATE FINGER FLANGE	150.1001	9	150.1001	11	150.1001	13
61	SCREW CHC 10 * 35	850.3002	35	850.3002	43	850.3002	48
	NUT M10 DIN 985	260.1011	35	260.1011	43	260.1011	48
62	GRATE FINGER SUPPORT RD 100	5100.770.1014	1				
	GRATE FINGER SUPPORT RD 130			5130.770.1016	1		
	GRATE FINGER SUPPORT RD 150					5145.770.1018	1
63	ROTOR RD 100	5100.760.1002	1				
	ROTOR RD 130			5130.760.1003	1		
	ROTOR RD 145					5150.760.1026	1
64	LITTLE DISC	5150.630.1003	1	5150.630.1003	1	5150.630.1003	1
65	SCREW T.H 1/2 * 38	850.1002	6	850.1002	6	850.1002	6
	NUT HH 1/2	260.1002	6	260.1002	6	260.1002	6
66	RIGHT SIDE	5100.195.1002	1	5100.195.1002	1	5100.195.1002	1
67	PACKING RING	400.1002	1	400.1002	1	400.1002	1
68	BALL BEARING	690.1017	1	690.1017	1	690.1017	1
69	WASHER 30 * 40 * 2	695.1028	1	695.1028	1	695.1028	1
70	CIRCLIPS Ø 30	190.1002	1	190.1002	1	190.1002	1
71	CAST IRON END CAP FTE 74	178.1004	1	178.1004	1	178.1004	1
72	SCREW CHC 8 * 25	850.3003	3	850.3003	3	850.3003	3
73	CAP 3/8 G	155.1001	1	155.1001	1	155.1001	1
74	DEFLECTOR	770.1015	1	770.1017	1	770.1019	1
75	SCREW T.H 12 *130 ZBJ	850.2013	2	850.2013	3	850.2013	3
	NUT M12 ZBJ DIN 985	260.1012	2	260.1012	3	260.1012	3
76	GRATE HINGE	5100.240.1005	2	5100.240.1005	3	5100.240.1005	3
77	SCREW T.H 12 * 25	850.1010	4	850.1010	6	850.1010	6
	NUT M12 ZBJ DIN 985	260.1012	4	260.1012	6	260.1012	6
78	GEAR BOX	095.1002	1	095.1002	1	095.1002	1
79	SCREW T.H 12 * 30 ZBJ	850.2016	4	850.2016	4	850.2016	4
	WASHER W 12 ZBJ	695.1019	4	695.1019	4	695.1019	4
80	PRINCIPAL HITCH	5100.750.1041	1	5100.750.1041	1	5100.750.1041	1
81	RIGHT TIE TUBE	5100.760.D032	1	5100.760.D032	1	5100.760.D032	1
82	SCREW T.H 10 * 75	850.1013	2	850.1013	2	850.1013	2
	NUT M10 DIN 985	260.1011	2	260.1011	2	260.1011	2
83	CLIPS Ø 11	340.1004	1	340.1004	1	340.1004	1



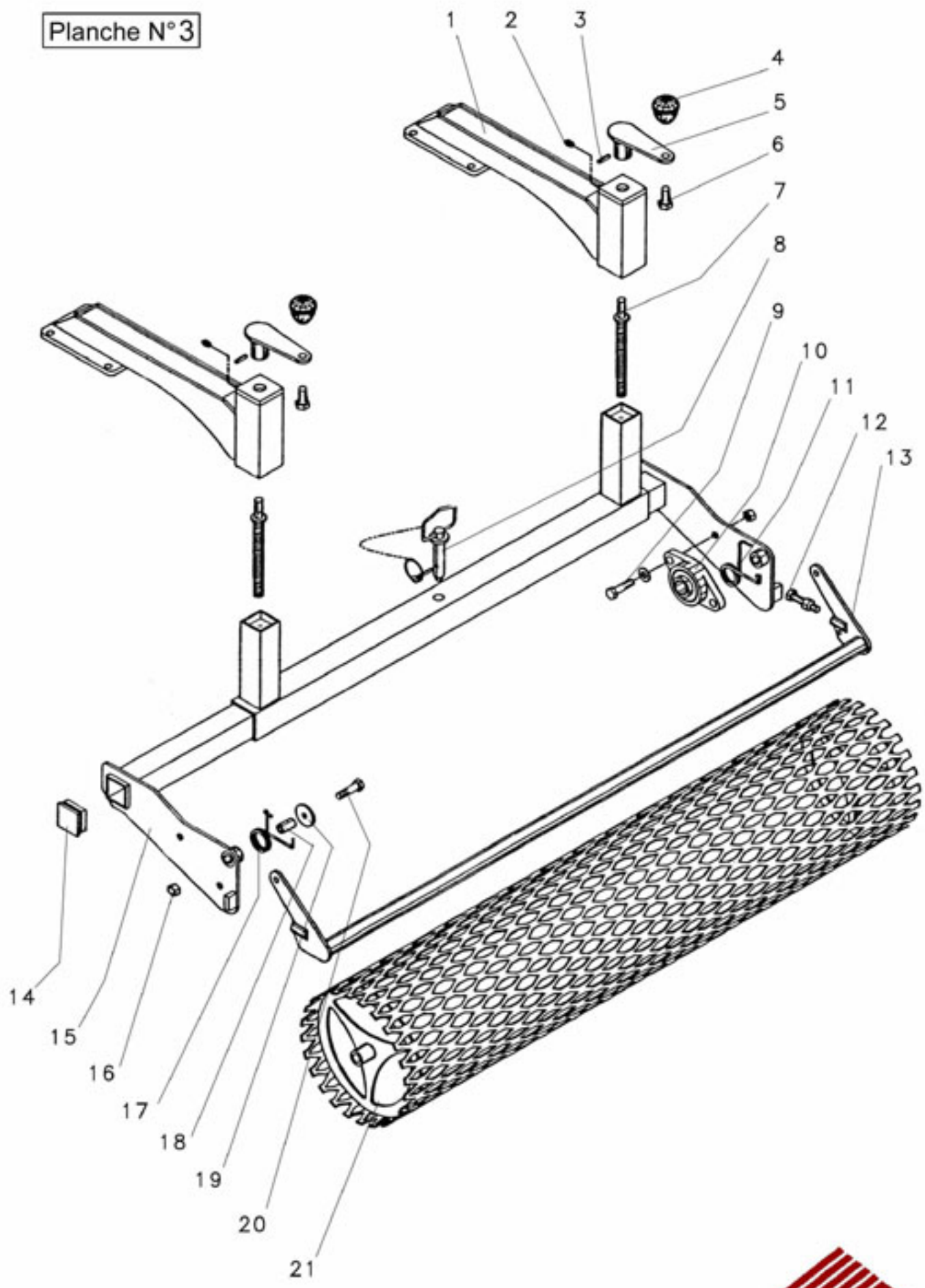
CHASSIS ROULEAU
AVEC LAME NIVELEUSE
RD 100/130/145



SPARE PARTS LIST DRAWING NR 2 RD 100 / 130 / 145

NR	QTY	DESIGNATION	SPARE PARTS REFERENCES		
			RD100	RD130	RD145
1	2	DRIFT WITH HANDLE	151.1001	151.1001	151.1001
2	2	ARMS FORK	5100.270.1005	5100.270.1005	5100.270.1005
3	4	LUBRICATOR	320.1001	320.1001	320.1001
4	4	SCREW T.H M14 *30 ZBJ	850.2005	850.2005	850.2005
5	4	CRANK PIN	610.1001	610.1001	610.1001
6	4	CRANK FOR ARMS	5100.640.1001	5100.640.1001	5100.640.1001
7	4	PIN 6 x 26	340.1007	340.1007	340.1007
8	4	CLIPS Ø 6	340.1005	340.1005	340.1005
9	2	ARM	5100.270.1004	5100.270.1004	5100.270.1004
10	4	SCREW FOR CRANK	5100.850.1039	5100.850.1039	5100.850.1039
11	4	NUT M14 ZBJ	260.1013	260.1013	260.1013
12	4	SCREW T.H M14 *35 ZBJ	850.2019	850.2019	850.2019
13	2	BEARING	690.1021	690.1021	690.1021
14	1	ROLLER RD 100	5100.505.1003		
		ROLLER RD 130		5130.505.1004	
		ROLLER RD 145			5060.505.1010
15	4	NUT M12 ZBJ DIN 985	260.1012	260.1012	260.1012
16	4	WASHER MU 12 ZBJ	695.1018	695.1018	695.1018
17	1	SCRAPER RD 100	5100.725.1001		
		SCRAPER RD 130		5130.725.1002	
		SCRAPER RD 145			5060.725.1006
18	2	TUBULAR BARCING	240.1030	240.1030	240.1030
19	4	SCREW T.H M12 * 35 ZBJ	850.2018	850.2018	850.2018
20	1	GRADER BLADE RD 100	5100.450.1009		
		GRADER BLADE RD 130		5130.450.1010	
		GRADER BLADE RD 145			5145.450.1027
21	2	CAP 50 * 50	156.1001	156.1001	156.1001
22	2	CAP 60 * 60	156.1002	156.1002	156.1002
23	1	ROLLER FRAME (MESH) RD 100	5100.750.1001		
		ROLLER FRAME (MESH) RD 130		5130.750.1004	
		ROLLER FRAME (MESH) RD 145			5145.750.1136
24	1	DRIFT WITH HANDLE	151.1001	151.1001	151.1001

Planche N°3



CHASSIS ROULEAU

RD100/130



SPARE PARTS LIST DRAWING NR 3 RD 100 / RD 130 (*)					
NR	DESIGNATION	SPARE PARTS REFERENCES			
		RD 100	QTY	RD 130	QTY
1	ARM	BRAS 60.520	2	BRAS 60.520	2
2	LUBRICATOR	320.1001	2	320.1001	2
3	PIN 6 * 26	340.1007	2	340.1007	2
4	CRANK PIN	610.1001	2	610.1001	2
5	CRANK FOR ARMS	5100.640.1001	2	5100.640.1001	2
6	SCREW T.H 14 * 30 ZBJ	850.2005	2	850.2005	2
7	SCREW FOR CRANK	5100.850.1039	2	5100.850.1039	2
8	DRIFT WITH HANDLE	151.1001	1	151.1001	1
9	SCREW T.H 14 * 35 ZBJ	850.2019	4	850.2019	4
	NUT M14 ZBJ DIN 985	260.2013	4	260.2013	4
10	BEARING	690.1021	2	690.1021	2
11	RIGHT SPRING	660.1002	1	660.1002	1
12	SCREW T.H 12 * 50 ZBJ	850.2022	2	850.2022	2
	NUT M12 ZBJ DIN 4032	260.1014	2	260.1014	2
13	SCRAPER RD 100	5100.725.1001	1		
	SCRAPER RD 130			5130.725.1002	1
14	CAP 50 * 50	156.1001	2	156.1001	2
15	ROLLER FRAME (MESH) RD 100	5100.750.1001	1		
	ROLLER FRAME (MESH) RD 130			5130.750.1004	1
16	NUT M 10 ZBJ DIN 985	260.1011	2	260.1011	2
17	LEFT SPRING	660.1003	1	660.1003	1
18	TUBULAR BRACING	240.1022	2	240.1022	2
19	WASHER	695.1029	2	695.1029	2
20	SCREW T.H 10 * 45 ZBJ	850.2008	2	850.2008	2
21	MESH ROLLER RD 100	5100.505.1003	1		
	MESH ROLLER RD 130			5130.505.1004	1

(*) anciennes machines non équipées de la lame niveleuse NIV