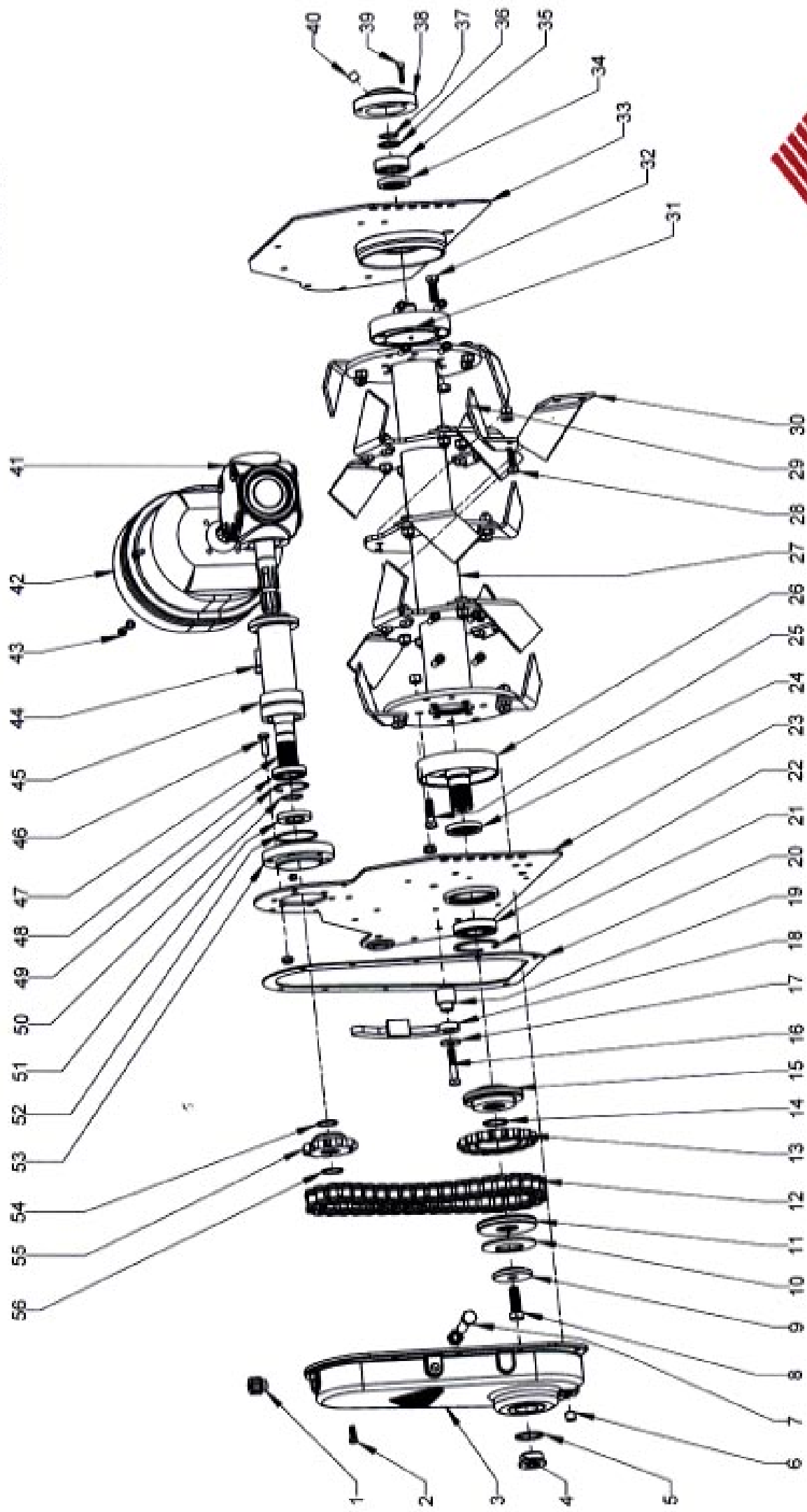


Planche 1



PARTIE ENTRAINEMENT STONY



CHASSIS STONY

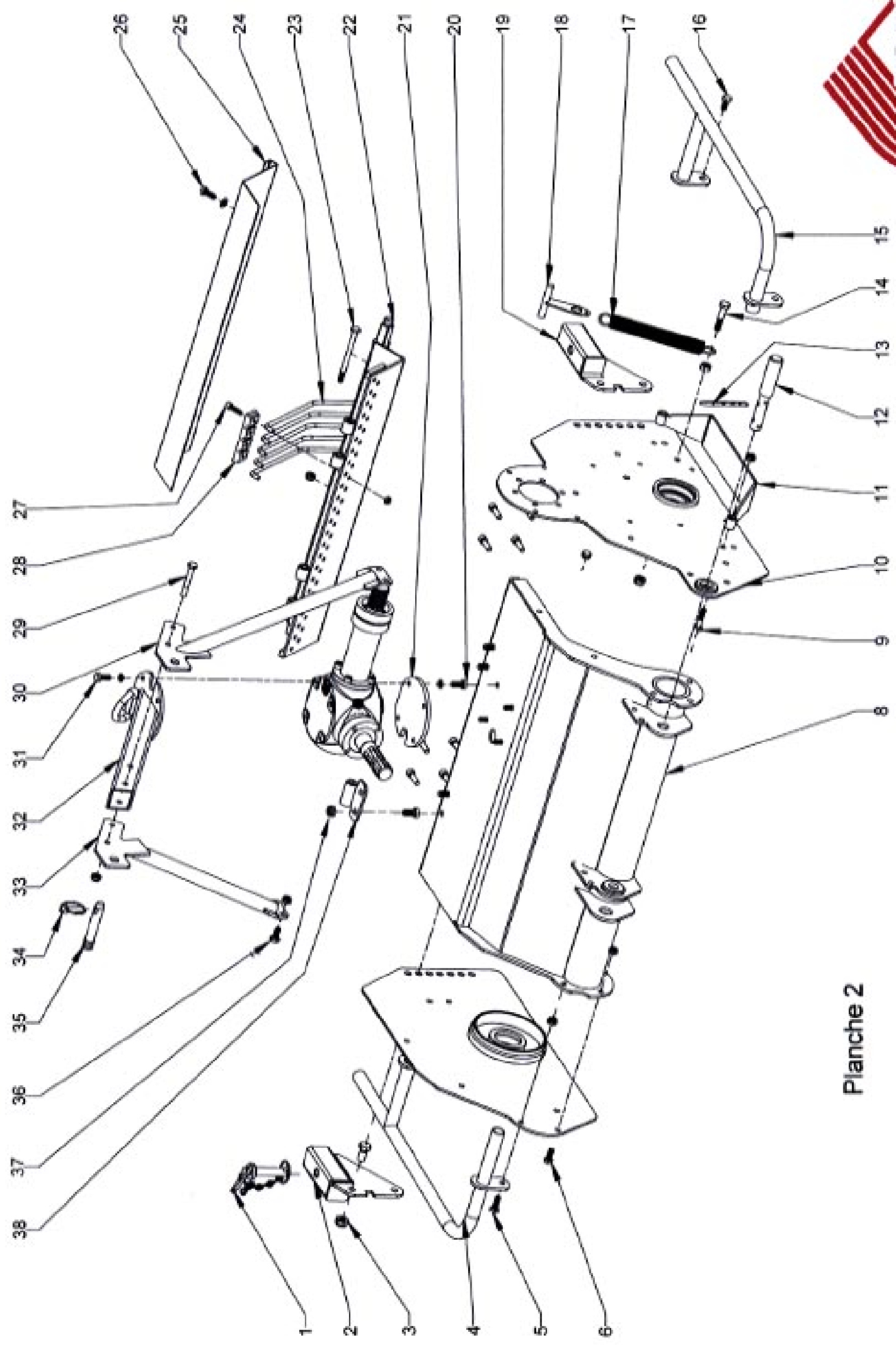
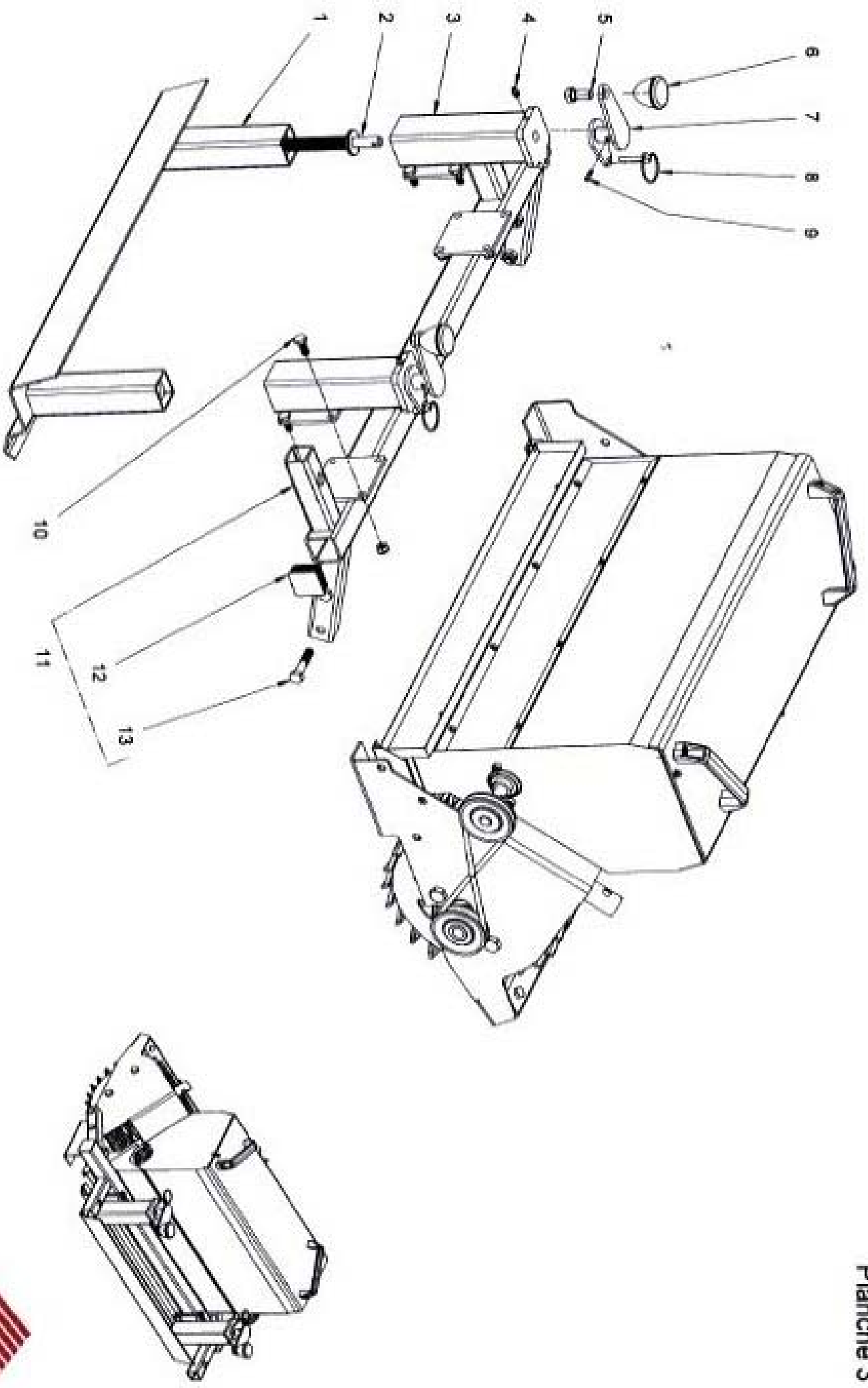
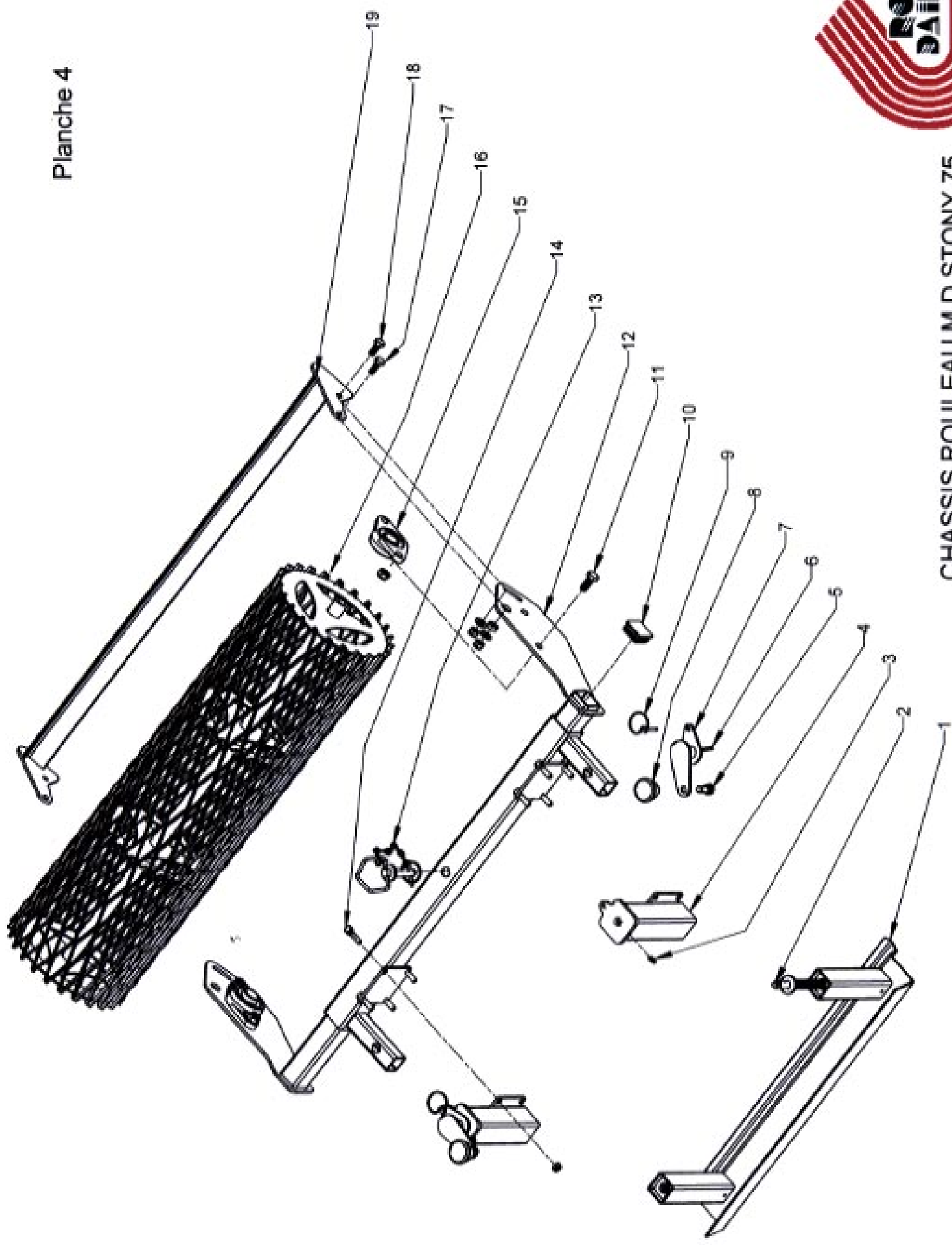


Planche 2



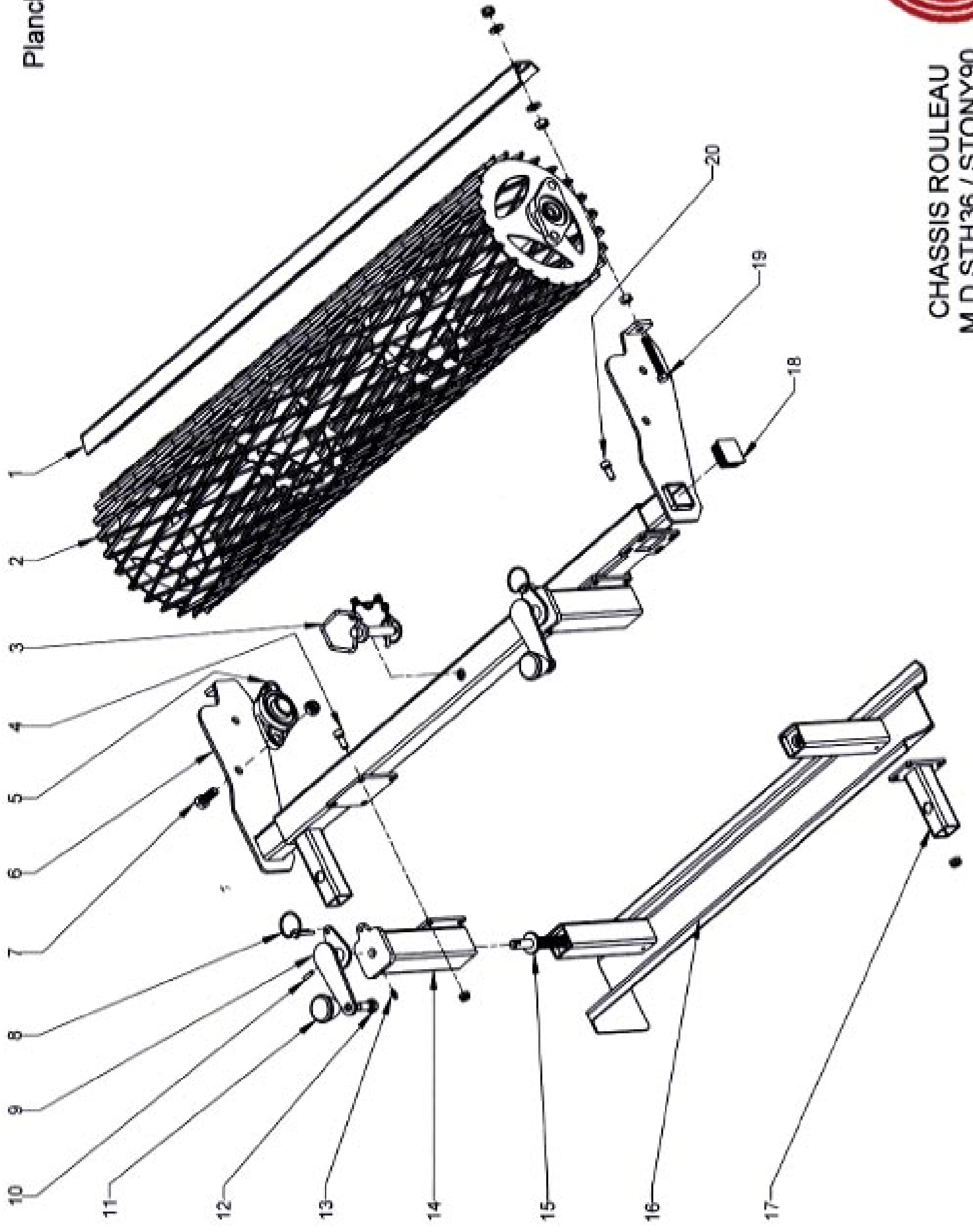
MODULE D'ASSEMBLAGE
COMBY NIV.







CHASSIS ROULEAU
M.D STH36 / STONY90



PARTS LIST

DRAWING NR 1 STONY

NR	DESIGNATION	PARTS REFERENCES			
		STONY 75	QTY	STONY 90	QTY
1	CAP 1/2 G	155.1011	1	155.1011	1
2	SCREW T.H 8 * 25 ZBJ	850.2024	10	850.2024	10
	NUT M8 DIN 985	260.1010	10	260.1010	10
3	CHAIN CASE	180.1001	1	180.1001	1
4	CAP 45 * 200	155.1002	1	155.1002	1
5	GASKET Ø45	410.1001	1	410.1001	1
6	CAP 3/8 G	155.1001	1	155.1001	1
7	SCREW T.H 16 * 80 ZBJ	850.2011	1	850.2011	1
	NUT M16	260.1015	1	260.1015	1
8	SCREW T.H M16 * 50 CL 10.9	850.1016	1	850.1016	1
9	PRESSING DEVICE	145.1003	1	145.1003	1
10	WASHER	695.1092	1	695.1092	1
11	FRONT HYDRAULIC CLUTCH DISC	5075.250.1011	1	5075.250.1011	1
12	CHAIN	175.1005	1	175.1005	1
13	PIGNON BAGUE	5055.600.1039	1	5055.600.1039	1
14	CIRCLIPS Ø 40	190.1001	1	190.1001	1
15	REAR HYDRAULIC CLUTCH DISC	5075.250.1010	1	5075.250.1010	1
16	SCREW T.H 12 * 60 ZBJ	850.2009	1	850.2009	1
	NUT M12 ZBJ DIN 985	260.1012	1	260.1012	1
17	WASHER	695.1057	1	695.1057	1
18	CHAIN TIGHTENER	5075.730.1002	1	5075.730.1002	1
19	BRACING FOR CHAIN TIGHTENER	240.1020	1	240.1020	1
20	CORK GASKET	420.1007	1	420.1007	1
21	CIRCLIPS Ø 80	190.1008	1	190.1008	1
22	BALL BEARING 6 208	690.1004	1	690.1004	1
23	LEFT SIDE STONY 75	5075.195.1011	1		
	LEFT SIDE STONY 90			5090.195.1026	1
24	PACKING RING 45.65.10	400.1009	1	400.1009	1
25	SCREW T.H 1/2 * 43 CL 12.9	850.1003	6	850.1003	6
	NUT HH 1/2	260.1002	6	260.1002	6
26	TRANSMISSION DISC	5090.630.1008	1	5090.630.1008	1
27	ROTOR STONY 75	5075.760.1014	1		
	ROTOR STONY 90			5036.760.1049	1
28	BOLT FOR BLADES 7/16	4000.001	32	4000.001	40
29	RIGHT BLADE 70 * 6	450.1001	8	450.1001	10
30	LEFT BLADE 70 * 6	450.1002	8	450.1002	10
31	PLATE	5150.630.1003	1	5150.630.1003	1
32	SCREW T.H 1/2 * 38 CL 12.9	850.1002	6	850.1002	6
	NUT HH 1/2	260.1002	6	260.1002	6
33	RIGHT SIDE	5036.195.1017	1	5036.195.1017	1
34	PACKING RING 40.58.10	400.1002	1	400.1002	1
35	BALL BEARING 22 206	690.1017	1	690.1017	1
36	WASHER 30 * 40 * 2	695.1028	1	695.1028	1
37	CIRCLIPS Ø 30	190.1002	1	190.1002	1
38	END CAP	178.1004	1	178.1004	1
39	SCREW CHC 8 * 25	850.3003	3	850.3003	3
40	CAP 3/8 G	155.1001	1	155.1001	1
41	GEAR BOX STONY 75	095.1001	1		
	GEAR BOX STONY 90			095.1017	1
42	PROTECTION BOLE	093.1002	1		
				093.1006	1

NR	DESIGNATION	PARTS REFERENCES			
		STONY 75	QTY	STONY 90	QTY
43	SCREW T.H 8 * 16 ZBJ	850.2036	4	850.2036	4
	WASHER MU 8 ZBJ	695.1062	4	695.1062	4
44	SCREW CHC 8 * 25			850.3003	4
45	TRUMPET			095.1018	1
46	SCREW T.H 10 * 35	850.1022	6		
	NUT M10 ZBJ DIN 985	260.1011	6		
47	SHAFT	100.1005	1		
				100.1098	1
48	BALL BEARING	690.1025	1		
				690.1011	1
49	CIRCLIPS	190.1016	1		
				190.1007	1
50	CIRCLIPS	190.1009	1		
				190.1003	1
51	PACKING RING	400.1003	1		
				400.1001	1
52	GASKET	400.1010	1		
				400.1008	1
53	CAGE SUPPORT TROMPETTE	160.1007	1		
54	CIRCLIPS	190.1009	1		
	RING			139.1002	1
55	GEAR	600.1010	1		
				600.1050	1
56	CIRCLIPS	190.1009	1		
				190.1001	1

T : discount no more than 20%

PARTS LIST		DRAWING NR 2 STONY			
NR	DESIGNATION	PARTS REFERENCES			
		STONY 75	QTY	STONY 90	QTY
1	DRIFT WITH HANDLE	151.1001	2	151.1001	2
2	RIGHT FEMALE ARM	5036.640.D024	1	5036.640.D024	1
3	SCREW T.H 14 * 30 ZBJ	850.2005	4	850.2005	4
	NUT M14 ZBJ DIN 985	260.1013	4	260.1013	4
4	RIGHT GUARDING TUBE	5075.760.D022	1	5075.760.D022	1
5	SCREW T.H 10 * 30 ZBJ	850.2002	2	850.2002	2
	NUT M10 ZBJ DIN 985	260.1011	2	260.1011	2
6	SCREW T.H 10 * 25	850.2003	8	850.2003	8
	NUT M10 ZBJ DIN 985	260.1011	8	260.1011	8
7	RIGHT SIDE	5036.195.1017	1	5036.195.1017	1
8	CAPOT	5075.430.1008	1		
				5090.770.1184	1
9	SCREW T.H 10 * 45 ZBJ	850.2008	2	850.2008	2
	NUT M10 ZBJ DIN 985	260.1011	2	260.1011	2
10	LEFT SIDE STONY 75	5075.195.1011	1		
	LEFT SIDE STONY 90			5090.195.1026	1
11	PROTECTION SIDE	5075.710.1003	1	5075.710.1003	1
12	AXIS 22 * 28	120.U002	2	120.U002	2
13	PEG BETA	340.1001	2	340.1001	2
14	SCREW T.H 12 * 60 ZBJ	850.2009	1	850.2009	1
	NUT M12 ZBJ 4032	260.1014	1	260.1014	1
	NUT M12 ZBJ DIN 985	260.1012	1	260.1012	1
15	LEFT GUARDING TUBE	5075.760.G022	1	5075.760.G022	1
16	SCREW T.H 10 * 25 ZBJ	850.2003	2	850.2003	2
	NUT M10 ZBJ DIN 985	260.1011	2	260.1011	2
17	SPRING	660.1005	1	660.1005	1
18	SPRING HANDLE	5075.620.1019	1	5075.620.1019	1
19	LEFT FEMALE ARM	5036.640.G024	1	5036.640.G024	1
20	SCREW T.H 10 * 30 ZBJ	850.2002	4		
	SCREW T,H 12 * 30 ZBJ			850.2016	4
	WASHER W STONY 75	695.1014	4		
	WASHER W STONY 90			695.1004	4
21	PLATINE ENTRETOISE BOITIER	640.1025	1		
22	GRATE FINGER SUPPORT STONY75	5075.770.1005	1		
	GRATE FINGER SUPPORT STONY90			5036.770.1073	1
23	SCREW T.H 10 * 130 ZBJ	850.2017	2	850.2017	2
	NUT M10 ZBJ DIN 985	260.1011	2	260.1011	2
24	GRATE FINGER	210.1004	24	210.1004	31
25	BONNET	770.1006	1		
26	SCREW T.H 10 * 25 ZBJ	850.2003	2		
	WASHER MU 10 ZBJ	695.1017	2		
27	SCREW CHC 8 * 30	850.3020	23	850.3020	30
	NUT M8 ZBJ DIN 985	260.1010	23	260.1010	30
28	GRATE FINGER FLANGE	150.1002	6	150.1002	8
29	SCREW T.H 10 * 75	850.1013	2	850.1013	2
	NUT M10 ZBJ DIN 985	260.1011	2	260.1011	2
30	LEFT TOPLINK TUBE	5075.760.G029	1	5075.760.G029	1

NR	DESIGNATION	PARTS REFERENCES			
		STONY 75	QTY	STONY 90	QTY

31	SCREW T.H STONY 75	850.2003	4		
	SCREW T.H STONY 90			850.2016	4
	WASHER W STONY 75	695.1014	4		
	WASHER W STONY 90			695.1004	4
32	PRINCIPAL HITCH STONY 75	5075.750.1030	1		
	PRINCIPAL HITCH STONY 90			3140.750.1041	1
33	RIGHT TOPLINK TUBE	5075.760.D029	1	5075.760.D029	1
34	PEG CLIPS Ø11	340.1004	1	340.1004	1
35	HITCHING AXIS Ø19	120.1005	1	120.1005	1
36	SCREW T.H 10 * 25	850.1011	4	850.1011	4
	NUT M10 ZBJ DIN 985	260.1011	4	260.1011	4
37	SCREW T.H 12 * 25	850.1010	4	850.1010	4
	NUT M12 ZBJ DIN 985	260.1012	4	260.1012	4
38	GRATE HINGE	5075.240.1019	2	5075.240.1019	2

T : discount no more than 20%

PARTS LIST		DRAWING NR 3 SEEDY	
NR	DESIGNATION	REFERENCES	PIECES QTY
1	NIV GRADER	5075.450.1035	1
2	SCREW FOR CRANK	5100.850.1039	2
3	FEMALE TUBE	5036.640.1055	2
4	GREASER	320.1001	2
5	SCREW T.H 14 * 30 ZBJ	850.2005	2
6	HANDLE	610.1001	2
7	CRANK FOR ARM	5036.640.1031	2
8	PEG CLIPS Ø 6	340.1005	2
9	PEG 6 * 26	340.1007	2
10	SCREW CHC 10 * 25 ZBJ	850.3024	8
	NUT M10 ZBJ	260.1011	8
11	FITTING KIT / STONY	5075.750.1039	1
12	CAP 50	156.1001	2
13	SCREW T.H 12 * 60 ZBJ	850.2009	4
	NUT M12 ZBJ	260.1012	4

T : discount no more than 20%

PARTS LIST		DRAWING NR 4 STONY 75	
NR	DESIGNATION	PARTS REFERENCES	QTY
1	NIV GRADER	5075.450.1035	1
2	SCREW FOR CRANK	5100.850.1039	2
3	GREASER	320.1001	2
4	FEMALE TUBE	5036.640.1055	2
5	SCREW T.H 14 * 30 ZBJ	850.2005	2
6	PEG 6 * 26	340.1007	2
7	CRANK	5036.640.1031	2
8	HANDLE FOR CRANK	610.1001	2
9	PEG CLIPS Ø6	340.1005	2
10	CAP 50	156.1001	2
11	SCREW T.H 14 * 35 ZBJ	850.2019	4
	NUT M14 ZBJ DIN 985	260.1013	4
12	ROLLER FRAME	5075.750.1093	1
13	DRIFT WITH HANDLE	151.1001	1
14	SCREW CHC 10 * 25 ZBJ	850.3024	8
	NUT M10 ZBJ DIN 985	260.1011	8
15	BEARING	690.1021	2
16	MESH ROLLER	5075.505.1011	1
17	SCREW T.H 12 * 35 ZBJ	850.2018	2
	DISTENCE PIECE RING	240.1030	2
	WASHER MU 12 ZBJ	695.1018	2
	NUT M8 ZBJ DIN 985	260.1012	2
18	SCREW T.H 12 * 30 ZBJ	850.2016	2
	WASHER MU 12 ZBJ	695.1018	2
	NUT M8 ZBJ DIN 985	260.1012	2
19	SCRAPER	5075.725.1010	1

T : discount no more than 20%

PARTS LIST		DRAWING NR 5 STH 36 / STONY 90	
NR	DESIGNATION	PARTS REFERENCES	QTY
1	SCRAPER	770.1074	1
2	MESH ROLLER	5036.505.1012	1
3	DRIFT WITH HANDLE	151.1001	1
4	SCREW CHC 10 * 25 ZBJ	850.3024	8
	NUT M10 ZBJ DIN 985	260.1011	8
5	BEARING	690.1021	2
6	ROLLER FRAME	5036.750.1089	1
7	SCREW T.H 14 * 35 ZBJ	850.2019	4
	NUT M14 ZBJ DIN 985	260.1013	4
8	PEG CLIPS Ø6	340.1005	2
9	CRANK	5036.640.1031	2
10	PEG 6 * 26	340.1007	2
11	HANDLE FOR CRANK	610.1001	2
12	SCREW T.H 14 * 30 ZBJ	850.2005	2
13	GREATHER M8	320.1001	2
14	FEMALE TUBE	5036.640.1055	2
15	SCREW DOR CRANK	5100.850.1039	2
16	NIV GRADER	5036.450.1033	1
17	MALE ARM	5036.640.1029	1
18	CAP CARRE 50	156.1001	2
19	SCREW T.H 12 * 80 ZBJ	850.2014	2
	NUT M12 ZBJ DIN 934	260.1014	4
	WASHER MU 12 ZBJ	695.1018	4
	NUT M12 ZBJ DIN 985	260.1012	2
20	SCREW CHC 10 * 25 ZBJ	850.3024	4
	NUT M10 ZBJ DIN 985	260.1011	4

T : discount no more than 20%