

Fig.1.CYLINDER BLOCK

(A)=3TNV88-BDSA02

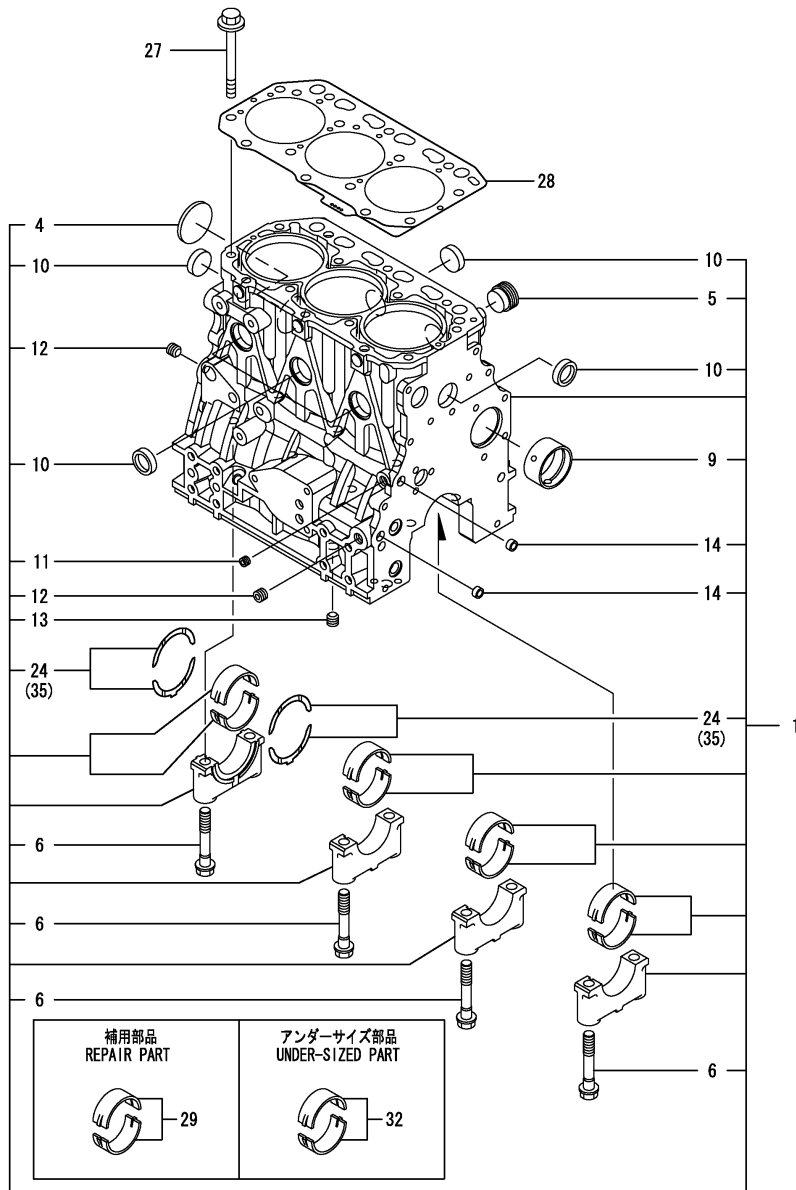
(B)=

(C)=

(D)=

(E)=

(F)=



REF.	LEV.	PARTS NO.	DESCRIPTION	QTY						I	R
				(A)	(B)	(C)	(D)	(E)	(F)		
1	1	729005-01560	BLOCK ASSY, CYLINDER	1							
4	2	129001-01250	PLUG, 50	1							
5	2	171051-01921	PLUG, NPTF1	1							
6	2	129150-02020	BOLT, METAL CAP	8							
9	2	129795-02412	BUSH, CAMSHAFT A	1							
10	2	27241-300000	PLUG 30	6							
11	2	124060-01050	PLUG, PT1/8	1							
12	2	124160-01910	PLUG, PT1/4	2							
13	2	124160-01910	PLUG, PT1/4	1							
14	2	27241-120000	PLUG, 12	2							
24	2	129150-02931	METAL, THRUST	2							
27	1	129150-01200	STUD, CYL. HEAD	14							
28	1	129001-01340	GASKET, (NON-ASB.)	1							
29	1	129001-02931	MAIN BEARING SET	4							1
32	1	129150-02871	MAIN METAL US=0.25	4							2
35	1	129150-02941	METAL, THRUST.25(4PIE	1							3

Remarks

- (1) REPAIR PART.
- (2) UNDER-SIZED(U.S=0.25)PART.
- (3) OVER-SIZED(O.S=0.25)PART.

Fig.2.GEAR HOUSING

(A)=3TNV88-BDSA02

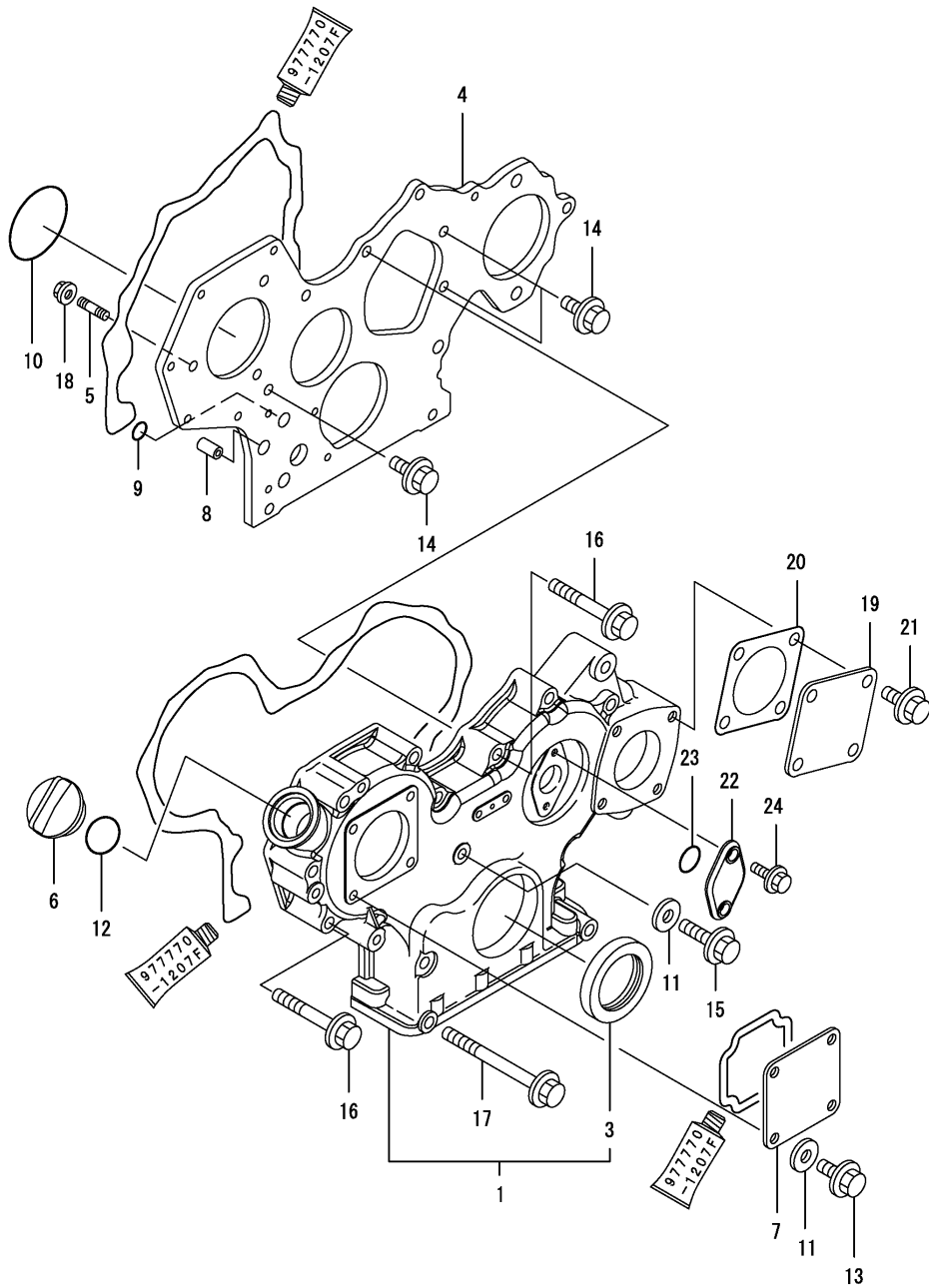
(B)=

(C)=

(D)=

(E)=

(F)=



REF.	LEV.	PARTS NO.	DESCRIPTION	QTY						I	R
				(A)	(B)	(C)	(D)	(E)	(F)		
1	1	729652-01500	GEAR CASE ASSY	1							
3	2	119934-01800	SEAL, OIL	1							
4	1	129604-01520	FLANGE, GEAR CASE	1							
5	1	119802-01561	STUD, M8X25	3							
6	1	124160-01751	COVER, FILLER	1							
7	1	124240-01871	COVER, PUMP	1							
8	1	129795-01950	PIPE, KNOCK	2							
9	1	119609-32040	O-RING P16	2							
10	1	121850-51960	O-RING, F.I.PUMP	1							
11	1	22190-080002	SEAL WASHER 8S	5							
12	1	24311-000320	O-RING 1A P-32.0	1							
13	1	26106-080162	BOLT M 8X 16 PLATED	4							
14	1	26106-080162	BOLT M 8X 16 PLATED	3							
15	1	26106-080302	BOLT M 8X 30 PLATED	1							
16	1	26106-080552	BOLT M 8X 55 PLATED	10							
17	1	26106-080852	BOLT M 8X 85 PLATED	3							
18	1	26306-080002	NUT, M8	3							
19	1	124240-01871	COVER, PUMP	1							
20	1	124240-01883	GASKET, PUMP	1							
21	1	26106-080162	BOLT M 8X 16 PLATED	4							
22	1	121023-01551	COVER, TACHOMETER	1							
23	1	24341-000240	O-RING 1A S-24.0	1							
24	1	26106-060162	BOLT M 6X 16 PLATED	2							

Fig.3.FLYWHEEL HOUSING & OIL SUMP

(A)=3TNV88-BDSA02

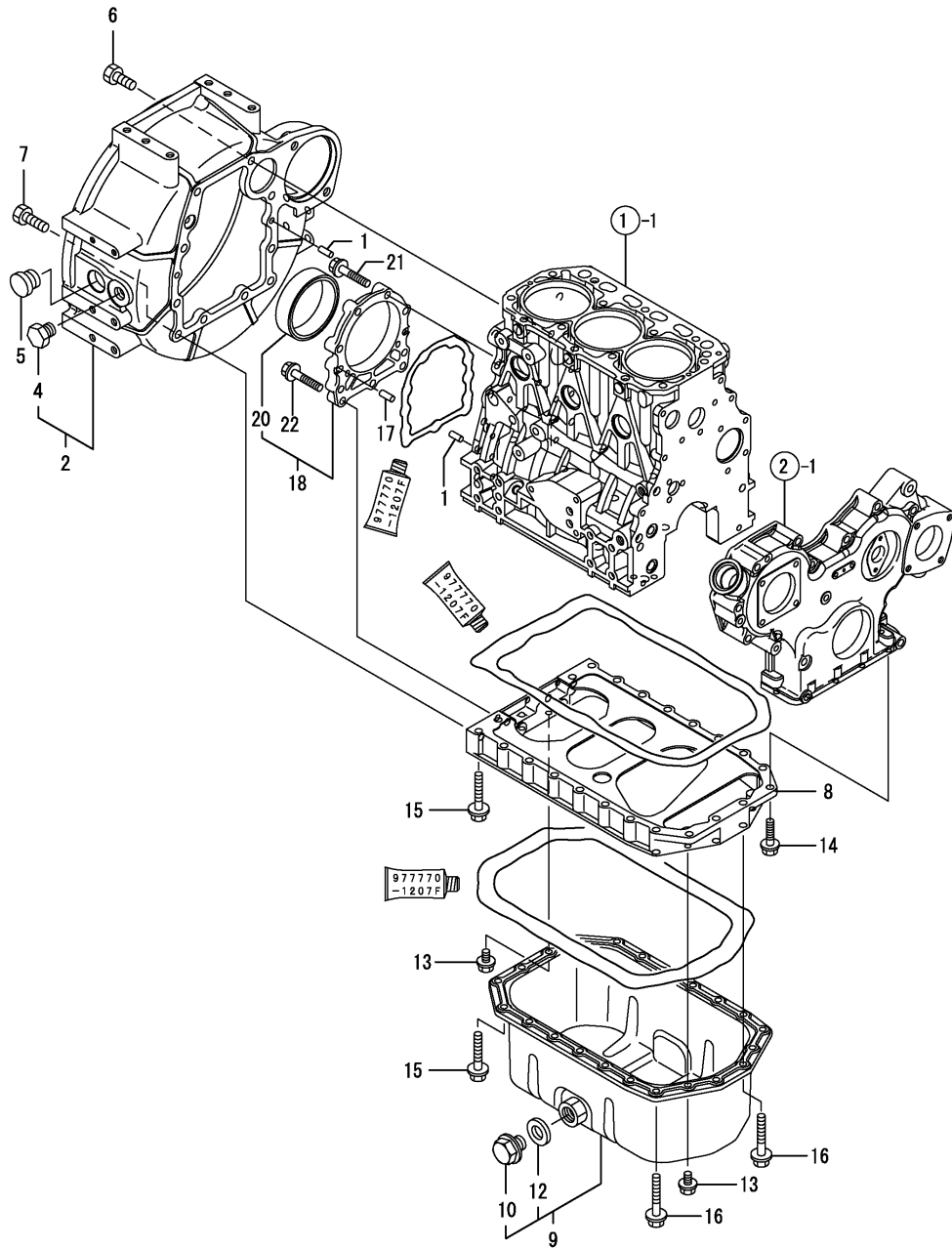
(B)=

(C)=

(D)=

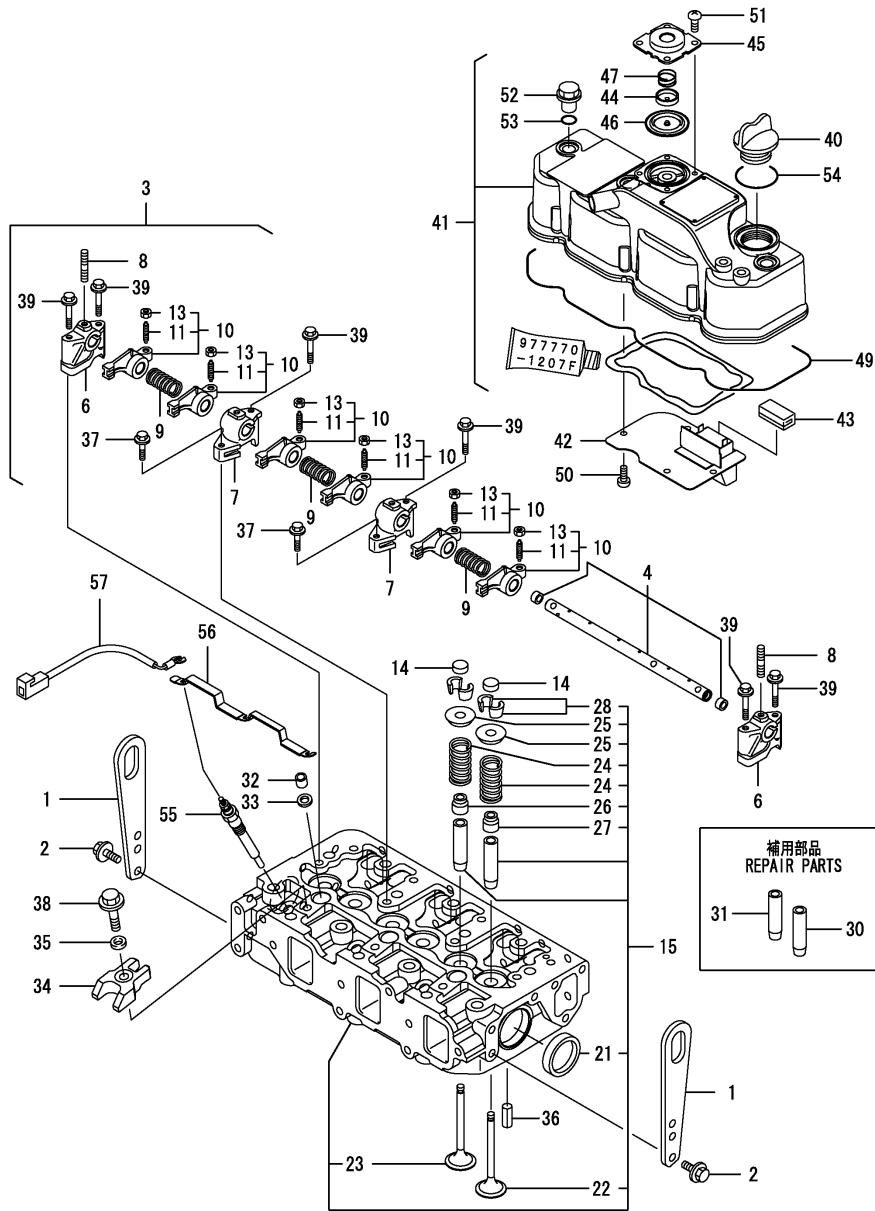
(E)=

(F)=



REF.	LEV.	PARTS NO.	DESCRIPTION	QTY						I	R
				(A)	(B)	(C)	(D)	(E)	(F)		
1	1	129100-01580	PARALLEL PIN, M8X16	2							
2	1	119888-01601	HOUSING, FLYWHEEL	1							
4	2	129486-35210	PLUG, 3/4-16UNF	1							
5	1	119620-01750	CAP, FLYWHEEL COVER	1							
6	1	26206-100252	BOLT M10X25	6							
7	1	26206-100302	BOLT M10X30	4							
8	1	129100-01730	SPACER, OIL SUMP	1							
9	1	129100-01760	SUMP ASSY, OIL	1							
10	2	119640-01640	DRAIN PLUG M22	1							
12	2	22190-220002	WASHER, 22	1							
13	1	26106-080162	BOLT M 8X 16 PLATED	4							
14	1	26106-080252	BOLT M 8X 25 PLATED	2							
15	1	26106-080452	BOLT M 8X 45 PLATED	16							
16	1	26106-080502	BOLT M 8X 50 PLATED	4							
17	1	129100-01580	PARALLEL PIN, M8X16	2							
18	1	129100-01640	CASE ASSY, OIL SEAL	1							
20	2	129795-01780	SEAL, OIL	1							
21	1	129486-01670	BOLT, M8X30	6							
22	1	26106-080352	BOLT M 8X 35 PLATED	3							

Fig.4.CYLINDER HEAD & BONNET



Remarks
(1) REPAIR PART.

(A)=3TNV88-BDSA02

(B)=

(C)=

(D)=

(E)=

(F)=

REF.	LEV.	PARTS NO.	DESCRIPTION	QTY						I	R
				(A)	(B)	(C)	(D)	(E)	(F)		
1	1	129900-07900	LIFTER, ENGINE	2							
2	1	26106-080162	BOLT M 8X 16 PLATED	4							
3	1	129004-11241	SHAFT ASSY, ROCKER	1							
4	2	129004-11251	SHAFT, ROCKER ARM	1							
6	2	119802-11260	SUPPORT, ROCKER ARM	2							
7	2	119802-11270	SUPPORT, ROCKER ARM	2							
8	2	119802-11280	STUD	3							
9	2	129150-11280	SPRING, SHAFT	3							
10	2	129004-11650	ARM ASSY, ROCKER	6							
11	3	129150-11230	SCREW, VALVE	6							
13	3	129150-11750	NUT, M8	6							
14	1	129150-11370	CAP, VALVE	6							
15	1	129008-11710	HEAD ASSY, CYLINDER	1							
21	2	27241-400000	PLUG 40	2							
22	2	129005-11100	VALVE, INTAKE	3							
23	2	129100-11112	VALVE, EXHAUST	3							
24	2	129795-11120	SPRING, VALVE	6							
25	2	129795-11180	RETAINER, SPRING	6							
26	2	121400-11340	SEAL, VALVE STEM	3							
27	2	124460-11340	SEAL, VALVE STEM	3							
28	2	27310-080001	COTTER 8	6							
30	1	120130-11860	GUIDE, VALVE	3							1
31	1	129150-11810	GUIDE, VALVE	3							1
32	1	119802-11870	PROTECTOR, NOZZLE	3							
33	1	119625-11880	SEAT, NOZZLE	3							
34	1	129004-11900	RETAINER, NOZZLE	3							
35	1	120270-54410	WASHER, INJECTOR	3							
36	1	22351-060012	SPRING PIN 6X12	2							
37	1	26106-080252	BOLT M 8X 25 PLATED	2							
38	1	26106-080352	BOLT M 8X 35 PLATED	3							
39	1	26106-080502	BOLT M 8X 50 PLATED	6							
40	1	124160-01751	COVER, FILLER	1							
41	1	129004-11350	BONNET ASSY, HEAD	1							
42	2	129004-03010	PLATE, BAFFLE	1							
43	2	129150-03070	BAFFLE, BREATHER	1							
44	2	119802-03110	PLATE, CENTER	1							
45	2	119802-03121	COVER, DIAPHRAGM	1							
46	2	119802-03130	DIAPHRAGM	1							
47	2	119802-03141	SPRING, DIAPHRAGM	1							
49	2	129004-11310	GASKET, BONNET	1							
50	2	22857-500100	SCREW, M5X10	4							
51	2	22857-500100	SCREW, M5X10	4							
52	1	124160-11360	KNOB	3							
53	1	24311-000120	PACKING, P 12.0	3							
54	1	24311-000320	O-RING 1A P-32.0	1							
55	1	129008-77800	PLUG, GLOW	3							
56	1	129008-77820	CONNECTOR, GLOW PLUG	1							
57	1	119803-77830	HARNES, GLOW PLUG	1							

Fig.5.SUCTION MANIFOLD & AIR CLEANER

(A)=3TNV88-BDSA02

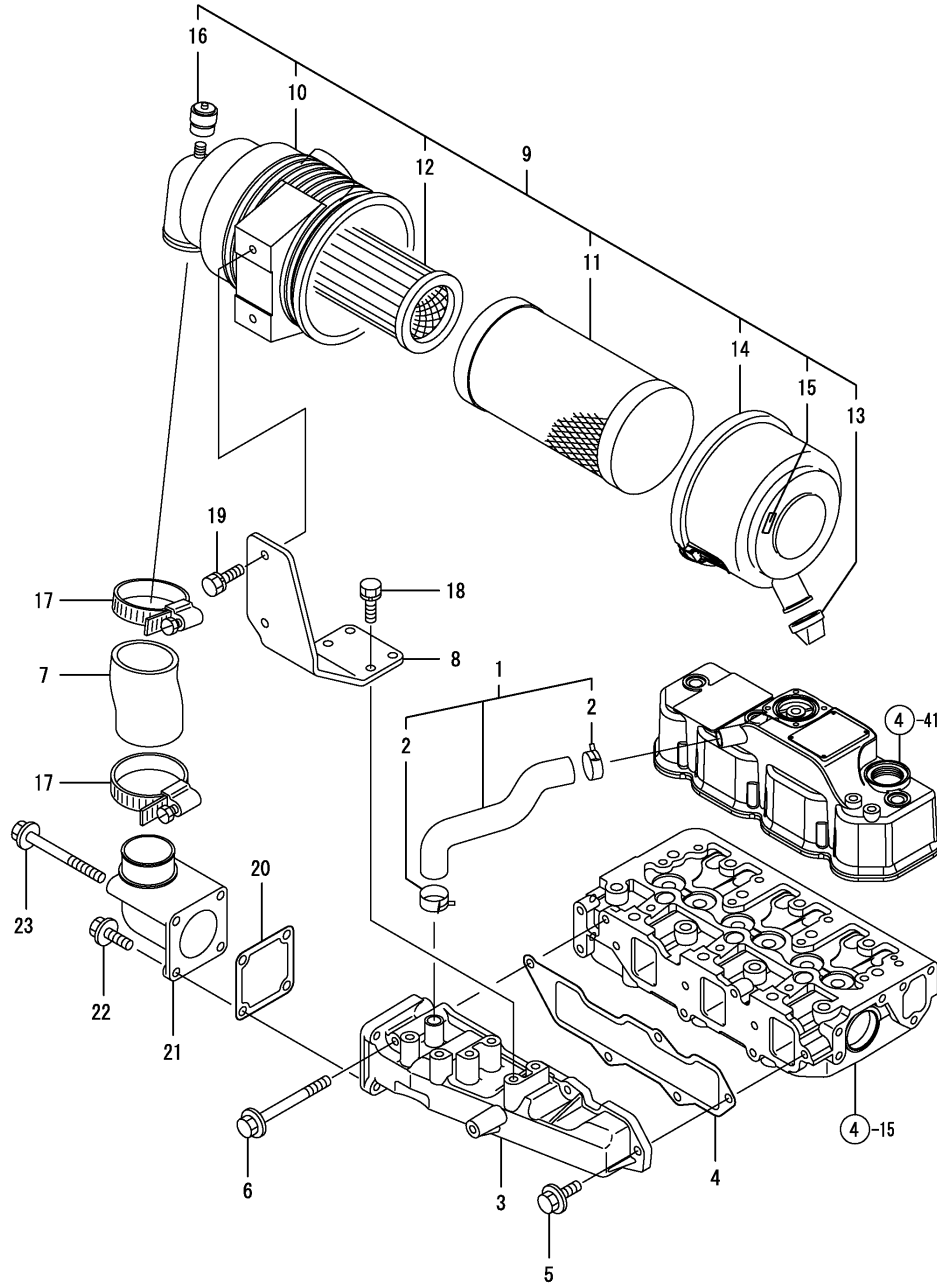
(B)=

(C)=

(D)=

(E)=

(F)=



REF.	LEV.	PARTS NO.	DESCRIPTION	Q'TY						I	R
				(A)	(B)	(C)	(D)	(E)	(F)		
1	1	129004-03080	PIPE, BREATHER	1							
2	2	129410-03990	CLAMP 22		2						
3	1	129004-12101	MANIFOLD, INTAKE			1					
4	1	129001-12110	GASKET, MANIFOLD				1				
5	1	26106-080202	BOLT M 8X 20 PLATED				4				
6	1	26106-080802	BOLT M 8X 80 PLATED				1				
7	1	119910-12210	PIPE,INTAKE				1				
8	1	119802-12560	BRACKET, AIR CLEANER				1				
9	1	119910-12601	CLEANER, AIR				1				
10	2	119910-12510	BODY, AIR CLEANER				1				
11	2	119808-12520	ELEMENT, OUTER				1				
12	2	129051-12530	ELEMENT, SAFETY				1				
13	2	119808-12540	VALVE, UNLOADER				1				
14	2	119866-12541	COVER ASSY				1				
15	2	129612-12650	LABEL, MARKING				1				
16	2	126650-12680	INDICATOR				1				
17	1	23000-060000	CLAMP 60				2				
18	1	26013-080222	BOLT M 8X 22				4				
19	1	26013-080222	BOLT M 8X 22				2				
20	1	129150-77511	GASKET, AIR HEATER				1				
21	1	119803-77520	BEND, AIR HEATER				1				
22	1	26106-080202	BOLT M 8X 20 PLATED				2				
23	1	26106-080802	BOLT M 8X 80 PLATED				2				

Fig.6.EXHAUST MANIFOLD & SILENCER

(A)=3TNV88-BDSA02

(B)=

(C)=

(D)=

(E)=

(F)=

REF.	LEV.	PARTS NO.	DESCRIPTION	QTY						I	R
				(A)	(B)	(C)	(D)	(E)	(F)		
1	1	129004-13109	MANIFOLD, EXHAUST	1							
2	1	129150-13110	GASKET, EXH.MANIFOLD	1							
3	1	123900-13610	STUD, M8X80	2							
4	1	123900-13630	BOLT, M8X80	4							
5	1	119131-18320	STUD, M8X22	4							
6	1	26306-080002	NUT, M8	2							
7	1	129004-13200	GASKET, SILENCER	1							
8	1	129004-13500	SILENCER	1							
9	1	26106-080252	BOLT M 8X 25 PLATED	2							
10	1	26306-080002	NUT, M8	4							
11	1	129004-13200	GASKET, SILENCER	1							
12	1	129005-13600	PIPE ASSY, TAIL	1							
13	2	119358-13640	CAP, RAIN	1							
14	2	121855-13821	SPACER, A	1							
15	2	121855-13830	SPACER, B	2							
16	2	123500-13840	SPACER, C	1							
17	2	26106-060402	BOLT M 6X 40 PLATED	1							
18	2	26347-040002	U-NUT M 4	1							
19	2	26347-060002	U-NUT M 6	1							
20	2	26557-040352	SCREW, M4X35	1							
21	1	26306-080002	NUT, M8	4							

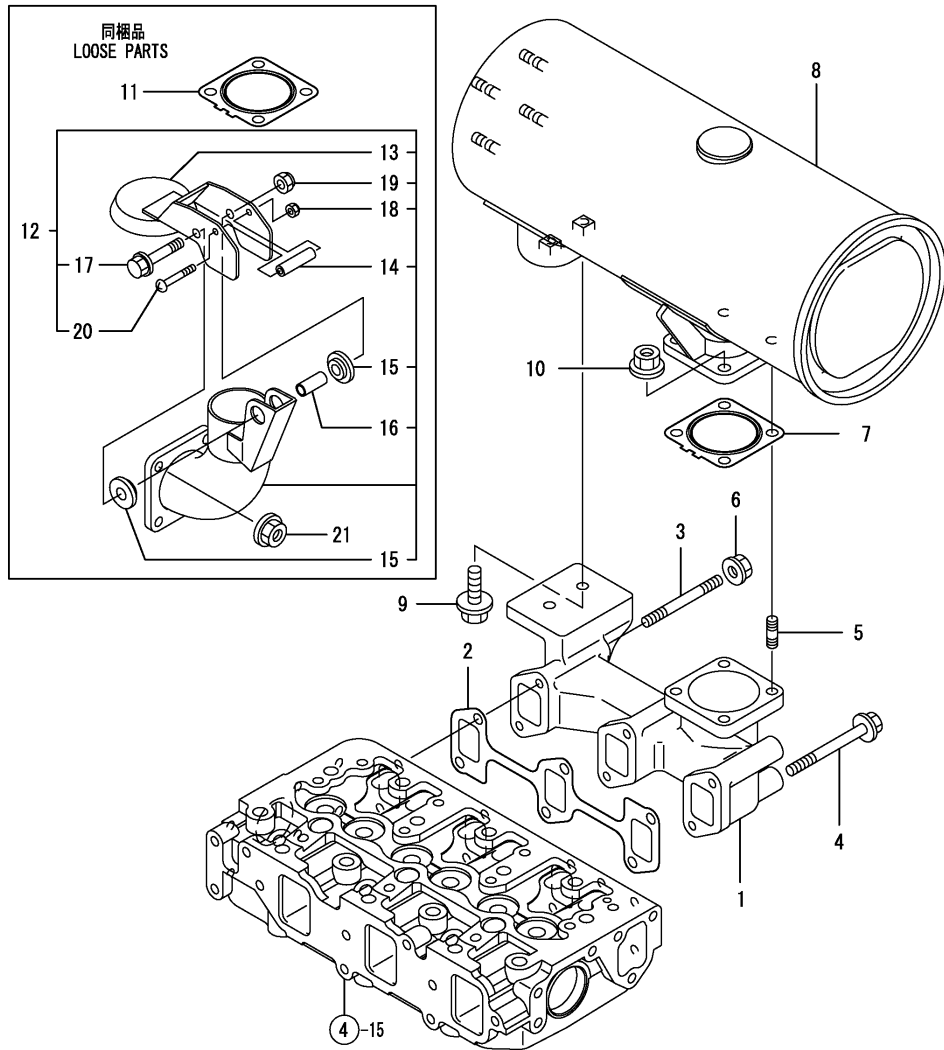


Fig.7.CAMSHAFT & DRIVING GEAR

(A)=3TNV88-BDSA02

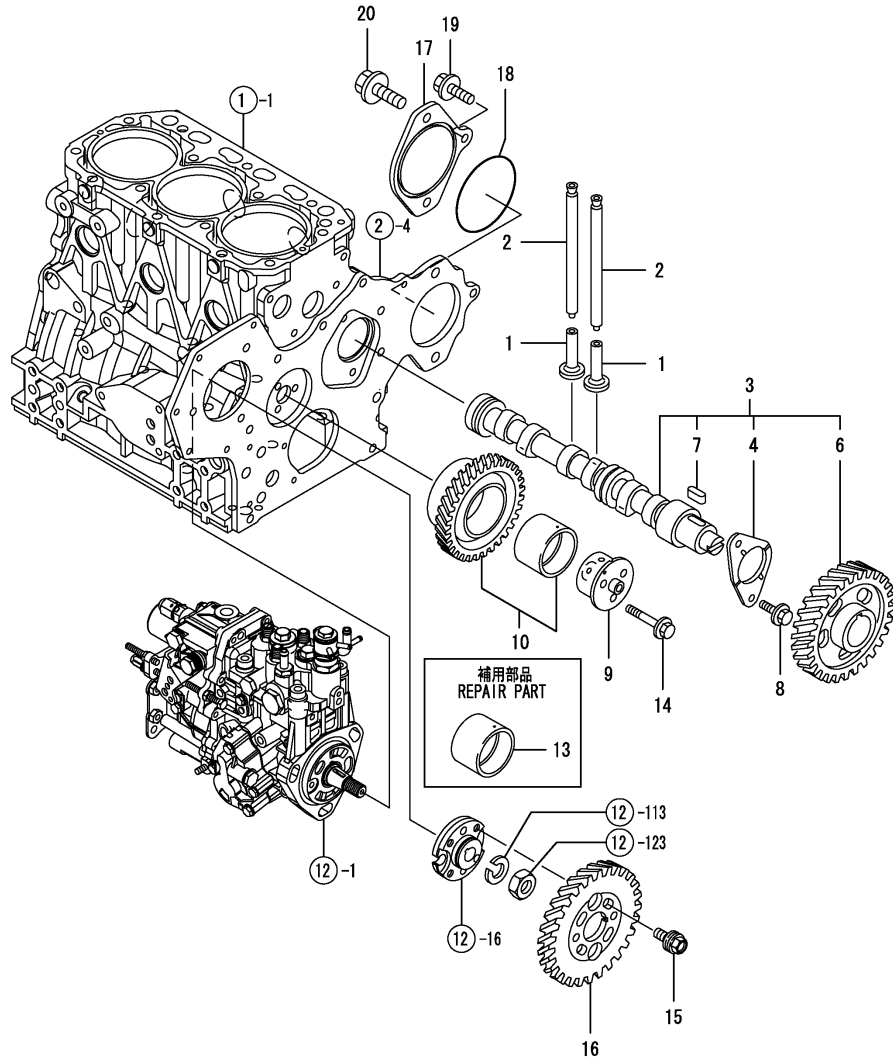
(B)=

(C)=

(D)=

(E)=

(F)=



REF.	LEV.	PARTS NO.	DESCRIPTION	QTY						I	R
				(A)	(B)	(C)	(D)	(E)	(F)		
1	1	129150-14200	TAPPET	6							
2	1	129150-14400	ROD, PUSH	6							
3	1	129129-14580	CAMSHAFT ASSY	1							
4	2	129150-02450	METAL,THRUST(CAM	1							
6	2	129150-14101	GEAR, CAMSHAFT	1							
7	2	22512-070140	KEY, 7X14	1							
8	1	26106-080142	BOLT 8X 14 PLATED	2							
9	1	119803-25050	SHAFT, IDLER	1							
10	1	119802-25101	GEAR ASSY, IDLE	1							
13	1	119802-25071	BUSH, IDLE GEAR	1							1
14	1	26106-080402	BOLT M 8X 40 PLATED	3							
15	1	129150-25301	BOLT, PUMP	4							
16	1	119802-25901	GEAR, PUMP	1							
17	1	129430-26070	COVER, PUMP	1							
18	1	24321-000800	O-RING 1A G-80.0	1							
19	1	26106-080252	BOLT M 8X 25 PLATED	1							
20	1	26106-100302	BOLT M10X 30 PLATED	2							

Remarks
(1) REPAIR PART.

Fig.8.CRANKSHAFT & PISTON

(A)=3TNV88-BDSA02

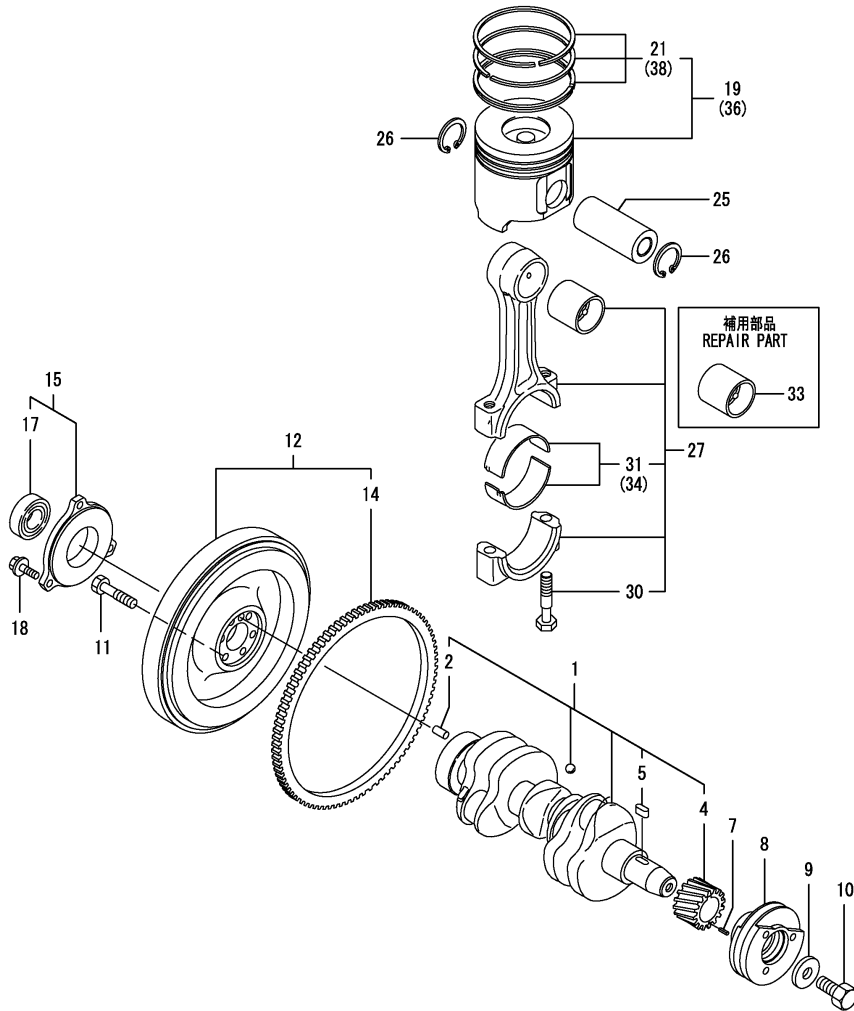
(B)=

(C)=

(D)=

(E)=

(F)=



REF.	LEV.	PARTS NO.	DESCRIPTION	QTY						I	R
				(A)	(B)	(C)	(D)	(E)	(F)		
1	1	129008-21000	CRANKSHAFT ASSY	1							
2	2	129100-01580	PARALLEL PIN, M8X16	1							
4	2	119803-21200	GEAR, CRANKSHAFT	1							
5	2	22512-070140	KEY, 7X14	1							
7	1	22351-030010	SPRING PIN 3X10	1							
8	1	129004-21650	V-PULLEY, CRANKSHAFT	1							
9	1	129795-21661	WASHER	1							
10	1	121850-21680	BOLT, V-PULLEY	1							
11	1	121111-21501	BOLT, FLYWHEEL	6							
12	1	129188-21590	FLYWHEEL W/RING GEAR	1							
14	2	119865-21600	GEAR, RING	1							
15	1	119888-21450	RETAINER, BEARING	1							
17	2	24107-062054	BALL BEARING	1							
18	1	26106-080222	BOLT M 8X 22 PLATED	3							
19	1	129005-22080	PISTON ASSY	3							
21	2	129005-22500	RING SET, PISTON	3							
25	1	129202-22300	PIN, PISTON	3							
26	1	22252-000260	CIRCLIP 26	6							
27	1	729402-23100	ROD ASSY, CONNECTING	3							
30	2	121550-23200	BOLT, CONNECTING ROD	6							
31	2	129150-23601	METAL, CRANKPIN	3							
33	1	129100-23910	METAL, PISTON PIN	3							1
34	1	129150-23611	METAL.PIN US=0.25	3							2
36	1	129005-22900	PISTON W/RING OS=.25	3							3
38	2	129005-22950	RING SET, PISTON .25	3							3

Remarks

- (1) REPAIR PART.
- (2) UNDER-SIZED(U.S=0.25)PART.
- (3) OVER-SIZED(O.S=0.25)PART.

Fig.9.LUB.OIL SYSTEM

(A)=3TNV88-BDSA02

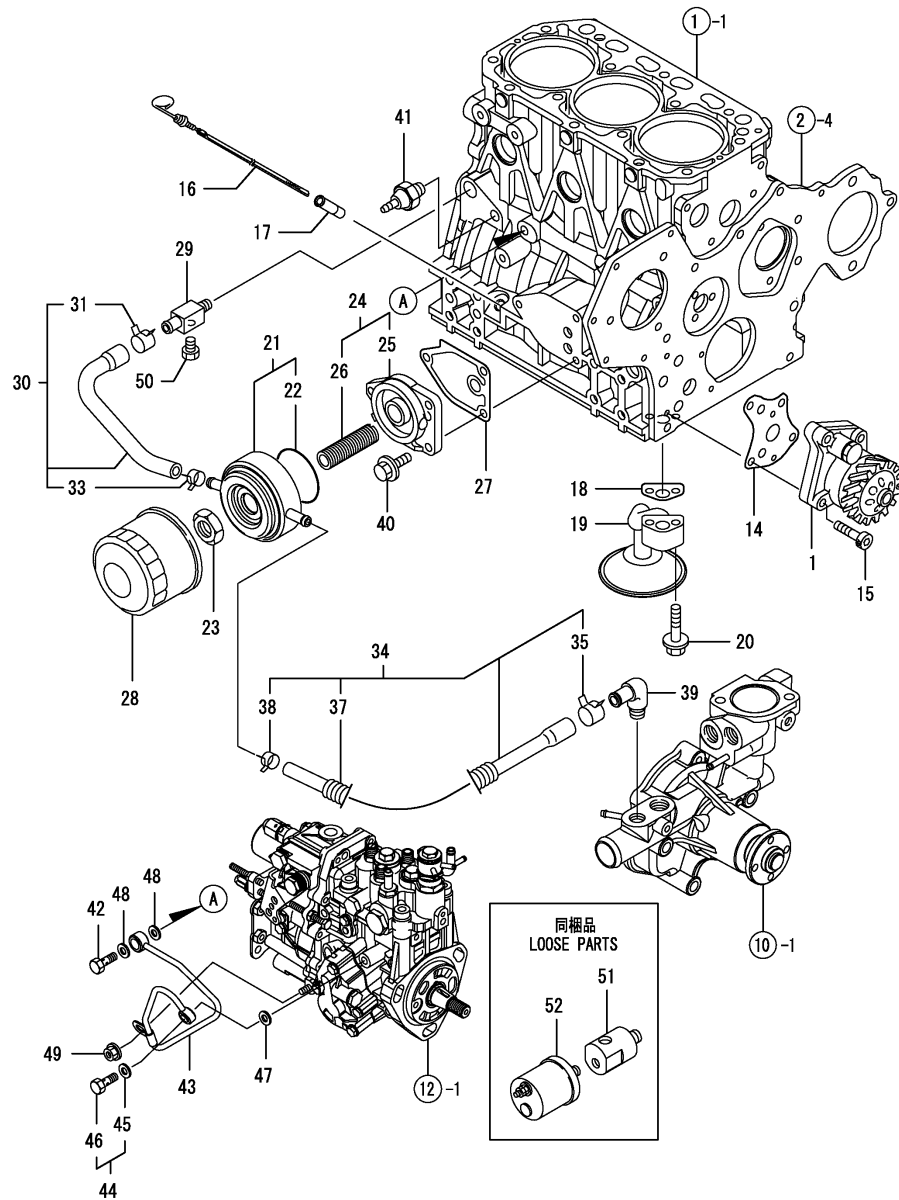
(B)=

(C)=

(D)=

(E)=

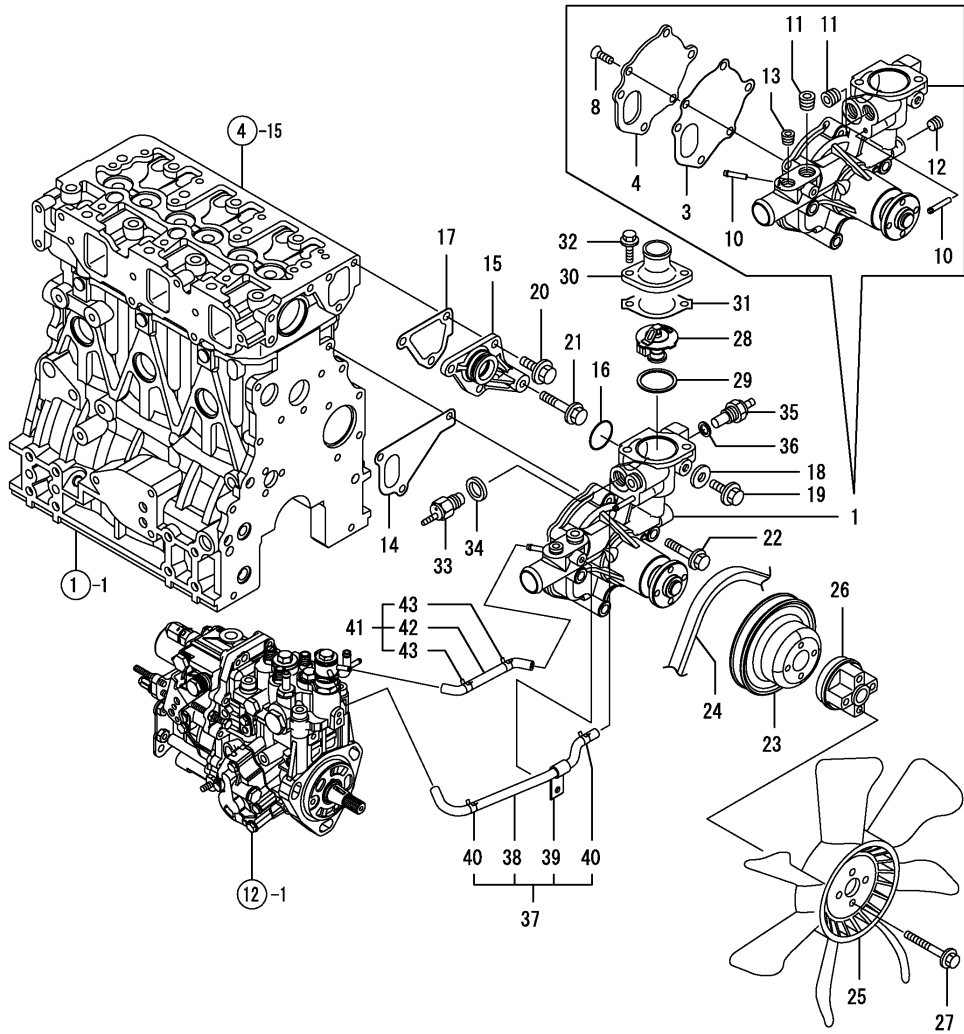
(F)=



REF.	LEV.	PARTS NO.	DESCRIPTION	QTY						I	R
				(A)	(B)	(C)	(D)	(E)	(F)		
1	1	129001-32001	PUMP ASSY, LUB.OIL	1							
14	1	129150-32020	GASKET, PUMP	1							
15	1	26450-060252	BOLT, M6X25	4							
16	1	129004-34802	DIPSTICK, LUB.OIL	1							
17	1	121520-34810	GUIDE, DIPSTICK	1							
18	1	129150-35042	GASKET, PIPE	1							
19	1	129100-35301	PIPE ASSY, OIL INLET	1							
20	1	26106-080352	BOLT M 8X 35 PLATED	2							
21	1	129508-33010	COOLER ASSY, LUB.OIL	1							
22	2	129508-33050	O-RING	1							
23	1	129417-33110	NUT, OIL COOLER	1							
24	1	129006-35100	BRACKET ASSY, FILTER	1							
25	2	119802-35110	BRACKET, FILTER	1							
26	2	129417-35150	STUD, L=67	1							
27	1	129150-35111	GASKET, BRACKET	1							
28	1	129150-35153	FILTER 80X80L	1							1
29	1	129006-44480	JOINT	1							
30	1	129508-49030	PIPE, COOLER INLET	1							
31	2	171008-03990	CLIP, HOSE	1							
33	2	23080-015000	CLAMP	1							
34	1	129006-49040	PIPE, COOLER OUTLET	1							
35	2	171008-03990	CLIP, HOSE	1							
37	2	129642-49180	TUBE, CORRUGATED	1							
38	2	23080-015000	CLAMP	1							
39	1	129103-49301	ELBOW, PT1/4	1							
40	1	26106-080202	BOLT M 8X 20 PLATED	3							
41	1	114250-39450	SWITCH, OIL PRESSURE	1							
42	1	124160-39140	BOLT, JOINT M10	1							
43	1	119802-39450	PIPE ASSY, LUB.OIL	1							
44	1	129005-59830	BOLT ASSY, JOINT	1							
45	2	22190-080002	SEAL WASHER 8S	1							
46	2	23857-030000	JOINT BOLT 3	1							
47	1	22190-080002	SEAL WASHER 8S	1							
48	1	22190-100002	WASHER, 10	2							
49	1	26366-060002	NUT M 6	1							
50	1	171056-49120	PLUG, DRAIN	1							
51	1	171375-39601	DUMPER ASSY	1							
52	1	119773-91501	SENDER UNIT	1							

Remarks
 (1) REPAIR PART.

Fig.10.COOLING WATER SYSTEM



(A)=3TNV88-BDSA02

(B)=

(C)=

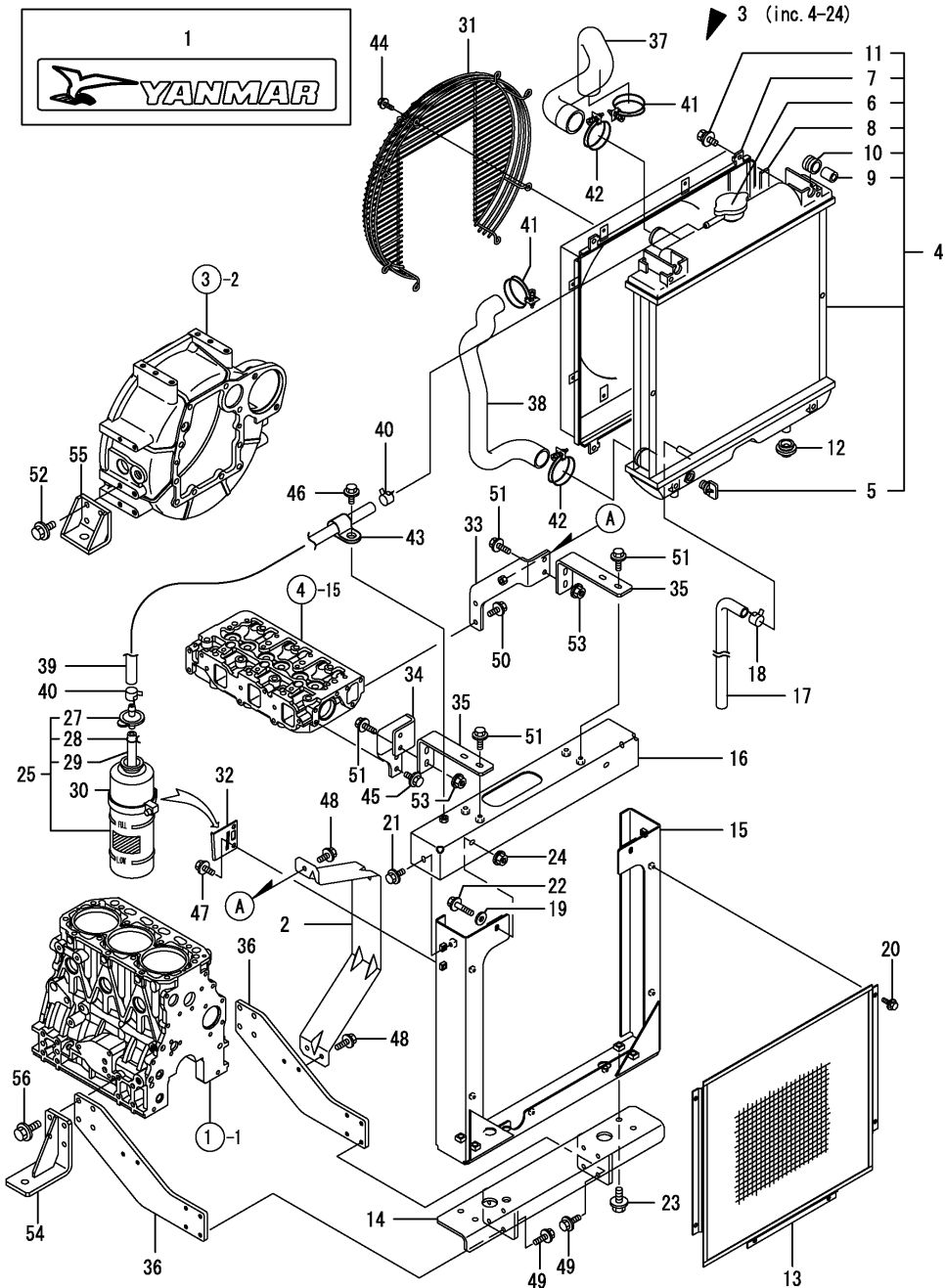
(D)=

(E)=

(F)=

REF.	LEV.	PARTS NO.	DESCRIPTION	QTY						I	R
				(A)	(B)	(C)	(D)	(E)	(F)		
1	1	129004-42001	PUMP ASSY, WATER	1							
3	2	129100-42051	GASKET, PUMP	1							
4	2	129100-42121	PLATE	1							
8	2	121850-42410	SCREW	3							
10	2	119802-49113	JOINT, PIPE	2							
11	2	129916-49740	PLUG, R03	2							
12	2	23876-010000	PLUG PT1/8,SCREW	1							
13	2	23876-020000	PLUG PT1/4,SCREW	1							
14	1	129486-42021	GASKET, WATER PUMP	1							
15	1	129004-42040	JOINT, PUMP	1							
16	1	129486-42140	O-RING, G30	1							
17	1	124395-49840	GASKET, CASE	1							
18	1	23414-080000	GASKET 8, ROUND	1							
19	1	26106-080122	BOLT M 8X 12 PLATED	1							
20	1	26106-080162	BOLT M 8X 16 PLATED	3							
21	1	26106-080452	BOLT M 8X 45 PLATED	1							
22	1	26106-080602	BOLT M 8X 60 PLATED	3							
23	1	129403-42380	V-PULLEY, WATER PUMP	1							
24	1	119865-42290	V-BELT A36.5	1							
25	1	121267-44741	FAN, COOLING	1							
26	1	129030-44760	SPACER, FAN	1							
27	1	26106-060502	BOLT M 6X 50 PLATED	4							
28	1	129155-49801	THERMOSTAT	1							
29	1	129150-49811	GASKET, THERMOSTAT	1							
30	1	129350-49530	COVER, THERMOSTAT	1							
31	1	129795-49551	GASKET, COVER	1							
32	1	26106-080222	BOLT M 8X 22 PLATED	2							
33	1	121250-44901	SWITCH, THERMO.	1							
34	1	124465-44950	GASKET, 16	1							
35	1	124250-49351	THERMOMETER	1							
36	1	129150-49360	GASKET 10	1							
37	1	129004-49610	PIPE, WATER MP2 A	1							
38	2	129004-49711	PIPE, WATER MP2 A	1							
39	2	119802-49730	CLAMP, PIPE	1							
40	2	124722-59050	CLIP, HOSE	2							
41	1	129004-49620	PIPE, WATER MP2 B	1							
42	2	129004-49721	PIPE, WATER MP2 B	1							
43	2	124722-59050	CLIP, HOSE	2							

Fig.11.RADIATOR



(A)=3TNV88-BDSA02

(B)=

(C)=

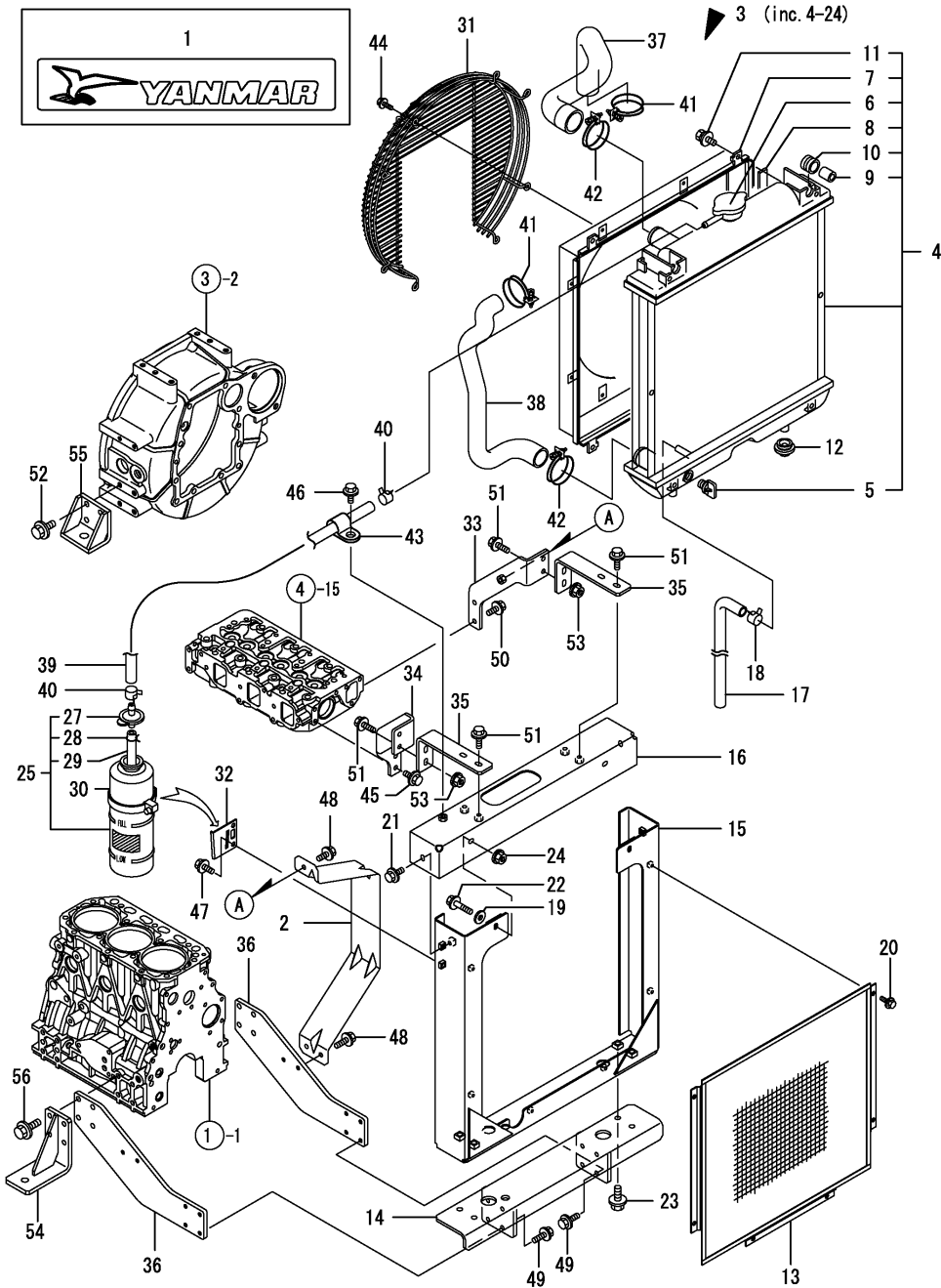
(D)=

(E)=

(F)=

REF.	LEV.	PARTS NO.	DESCRIPTION	QTY						I	R
				(A)	(B)	(C)	(D)	(E)	(F)		
1	1	129247-07001	LABEL,YANMAR	1							
2	1	129247-42800	COVER, V-BELT	1							
3	1	129247-44500	RADIATOR ASSY	1							
4	2	129044-44500	RADIATOR ASSY	1							
5	3	129508-44550	COCK ASSY	1							
6	3	129107-44590	CAP, RADIATOR D46	1							
7	3	129044-44600	SHROUD	1							
8	3	129601-44610	GASKET	2							
9	3	118400-44670	COLLAR	2							
10	3	118400-44720	RUBBER(D),RADIATOR	2							
11	3	26014-060122	BOLT M 6X 12	4							
12	2	119255-44660	RUBBER	2							
13	2	129247-44800	SCREEN, RADIATOR	1							
14	2	129247-44960	BRACKET, RADIATOR B	1							
15	2	129247-44970	BRACKET, RADIATOR C	1							
16	2	129247-44980	BRACKET, RADIATOR D	1							
17	2	121520-49160	PIPE, WATER DRAIN	1							
18	2	124766-59050	CLAMP 12	1							
19	2	22117-080000	WASHER 8	2							
20	2	26106-060162	BOLT M 6X 16 PLATED	6							
21	2	26106-080162	BOLT M 8X 16 PLATED	2							
22	2	26106-080352	BOLT M 8X 35 PLATED	2							
23	2	26106-100202	BOLT M10X 20 PLATED	4							
24	2	26366-080002	NUT M 8	2							
25	1	124450-44510	TANK ASSY, SUB	1							
27	2	124450-44530	CAP	1							
28	2	124450-44560	CLAMP	1							
29	2	23061-070230	PIPE 7X 230	1							
30	1	124450-44550	CLAMP, SUB-TANK	1							
31	1	129601-44560	GUARD, FAN	1							
32	1	121256-44600	BRACKET, SUB TANK	1							
33	1	129247-44910	STAY, RADIATOR	1							
34	1	129247-44920	STAY, RADIATOR	1							
35	1	129247-44930	STAY, RADIATOR	2							
36	1	129247-44950	BRACKET, RADIATOR A	2							
37	1	129602-49010	PIPE, WATER A	1							
38	1	129612-49040	PIPE, WATER B	1							
39	1	170004-49160	PIPE ASSY, DRAIN	1							
40	1	124766-59050	CLAMP 12	2							
41	1	23010-038000	CLAMP 38	2							
42	1	23010-044000	CLAMP 44	2							
43	1	23297-120081	CLAMP A12X8	1							
44	1	26106-060162	BOLT M 6X 16 PLATED	8							
45	1	26106-080162	BOLT M 8X 16 PLATED	2							
46	1	26106-080162	BOLT M 8X 16 PLATED	1							
47	1	26106-080162	BOLT M 8X 16 PLATED	2							
48	1	26106-080162	BOLT M 8X 16 PLATED	3							
49	1	26106-080202	BOLT M 8X 20 PLATED	8							
50	1	26106-080202	BOLT M 8X 20 PLATED	2							
51	1	26106-080202	BOLT M 8X 20 PLATED	8							
52	1	26106-100202	BOLT M10X 20 PLATED	8							

Fig.11.RADIATOR



(A)=3TNV88-BDSA02

(B)=

(C)=

(D)=

(E)=

(F)=

REF.	LEV.	PARTS NO.	DESCRIPTION	QTY						I	R
				(A)	(B)	(C)	(D)	(E)	(F)		
53	1	26306-080002	NUT, M8	4							
54	1	129188-08100	BRACKET (A), ENGINE	2							
55	1	119888-08110	BRACKET (B), ENGINE	2							
56	1	26106-100302	BOLT M10X 30 PLATED	8							

Fig.12.FUEL INJECTION PUMP

(A)=3TNV88-BDSA02

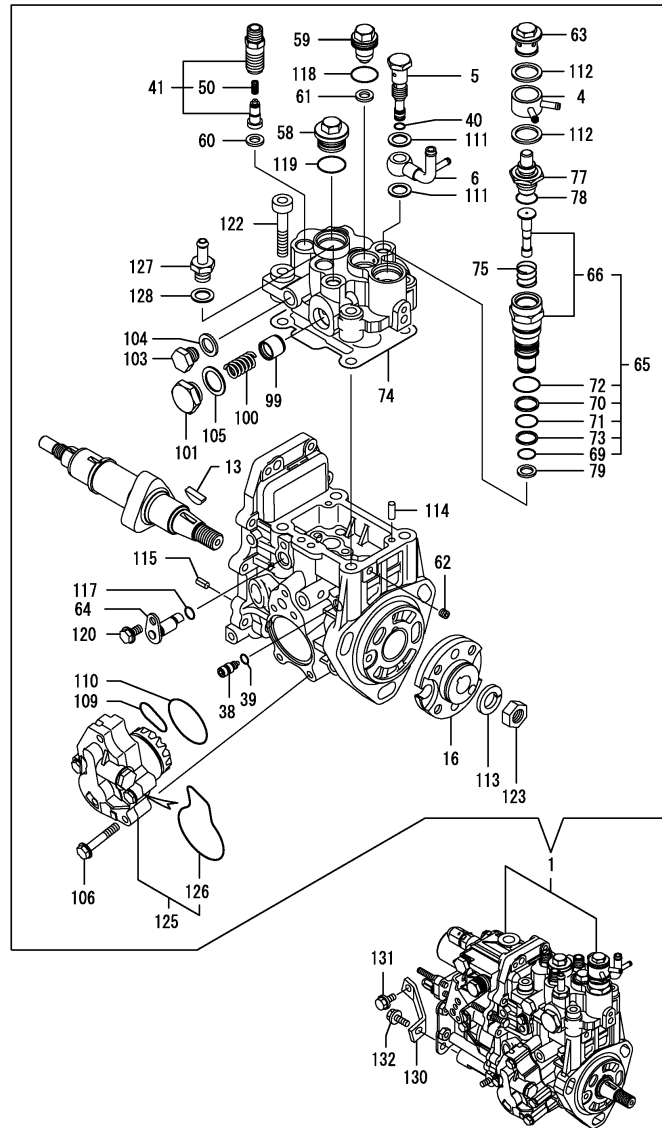
(B)=

(C)=

(D)=

(E)=

(F)=



Remarks
 (1) GOVERNOR ASSY(FIG.13) IS INCORPORATED IN THIS FUEL INJECTION PUMP.(REF.NO.1).
 (2) REF.NO.1-1 & FIG.NO.14 REF.NO.1-1 INTERCHANGEABLE BY SET.

REF.	LEV.	PARTS NO.	DESCRIPTION	Q'TY						I	R
				(A)	(B)	(C)	(D)	(E)	(F)		
1	1	729285-51341	PUMP ASSY, INJECTION	1							1
1-1	1	729285-51400	INJECTION PUMP ASSY	1							S 2
(A=E_B1297)											
4	2	158553-51551	JOINT, COOLING WATER	1							
5	2	158601-51650	JOINT, OVER FLOW	1							
6	2	158552-51670	JOINT, OVER FLOW	1							
13	2	119802-51090	KEY, WOODRUFF 4X16	1							
16	2	158552-51151	FLANGE	1							
38	2	158600-51270	STOPPER, TAPPET	1							
39	2	158563-51281	O-RING	1							
40	2	158563-51281	O-RING	1							
41	2	129008-51390	SETTING, DELIVERY	3							
50	3	158563-51330	SPRING, DELIVERY	3							
58	2	158601-51550	PLUG	1							
59	2	119802-51560	PLUG, BARREL	1							
60	2	158552-51571	PK(BARREL PLUG	3							
61	2	158552-51571	PK(BARREL PLUG	1							
62	2	158557-51570	PLUG	1							
63	2	158601-51570	PLUG, WATER PUMP	1							
64	2	158552-51580	LIFTER	1							
65	2	119802-51590	TIMER SET	1							
66	3	119802-51600	TIMER CMP	1							
69	3	158553-51670	O-RING, 1011	1							
70	3	119802-51680	BACKUP RING	1							
71	3	119802-51690	O RING	1							
72	3	24356-010200	PACKING, 1020	1							
73	3	24372-000150	RING, BACKUP T2 P 15	1							
74	2	158552-51600	PACKING, HEAD	1							
75	2	158553-51630	SPRING, TIMER	1							
77	2	158553-51650	ELEMENT, THERMO	1							
78	2	158553-51660	O-RING,P14	1							
79	2	158553-51680	PACKING,TIMER	1							
99	2	158601-51770	PISTON	1							
100	2	158552-51781	SPRING, ACTUATOR	1							
101	2	158601-51790	PLUG	1							
103	2	158553-51930	PLUG,M12	1							
104	2	22190-120002	SEAL WASHER 12	1							
105	2	22190-180002	WASHER, 18	1							
106	2	158553-51770	BOLT	4							
109	2	158552-52310	O-RING, PUMP	1							
110	2	158552-52400	O-RING 4E S42	1							
111	2	22190-120002	SEAL WASHER 12	2							
112	2	22190-180002	WASHER, 18	2							
113	2	22217-140000	SPRING WASHER 14	1							
114	2	22312-050140	PARALLEL PIN 5X14	2							
115	2	22351-050010	SPRING PIN 5X10	2							
117	2	24311-000070	O-RING 1A P-7.0	1							
118	2	24356-010180	O-RING	1							
119	2	24356-010200	PACKING, 1020	1							
120	2	26106-060102	BOLT 6X 10 PLATED	1							
122	2	26450-080452	BOLT M 8X 45	4							

Fig.12.FUEL INJECTION PUMP

(A)=3TNV88-BDSA02

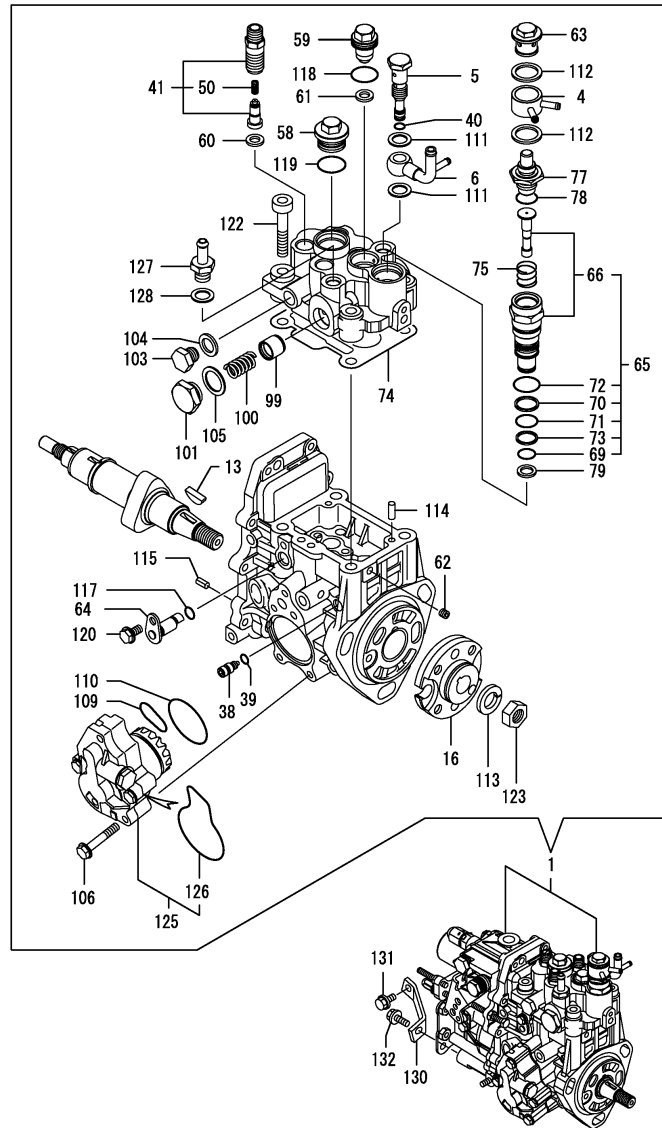
(B)=

(C)=

(D)=

(E)=

(F)=



REF.	LEV.	PARTS NO.	DESCRIPTION	Q'TY						I	R
				(A)	(B)	(C)	(D)	(E)	(F)		
123	2	26776-140002	LOCK NUT M14 PLATED	1							
125	2	158552-52100	PUMP ASSY, FUEL FEED	1							
126	3	158552-52500	O-RING, PUMP	1							
127	2	119934-59910	JOINT, PIPE	1							
128	2	22190-120002	SEAL WASHER 12	1							
130	1	119802-51250	RETAINER, PUMP	1							
131	1	26106-080162	BOLT M 8X 16 PLATED	1							
132	1	26106-080202	BOLT M 8X 20 PLATED	1							

Remarks

(1) GOVERNOR ASSY(FIG.13) IS INCORPORATED IN THIS FUEL INJECTION PUMP.(REF.NO.1).
 (2) REF.NO.1-1 & FIG.NO.14 REF.NO.1-1 INTERCHANGEABLE BY SET.

Fig.13.GOVERNOR

(A)=3TNV88-BDSA02

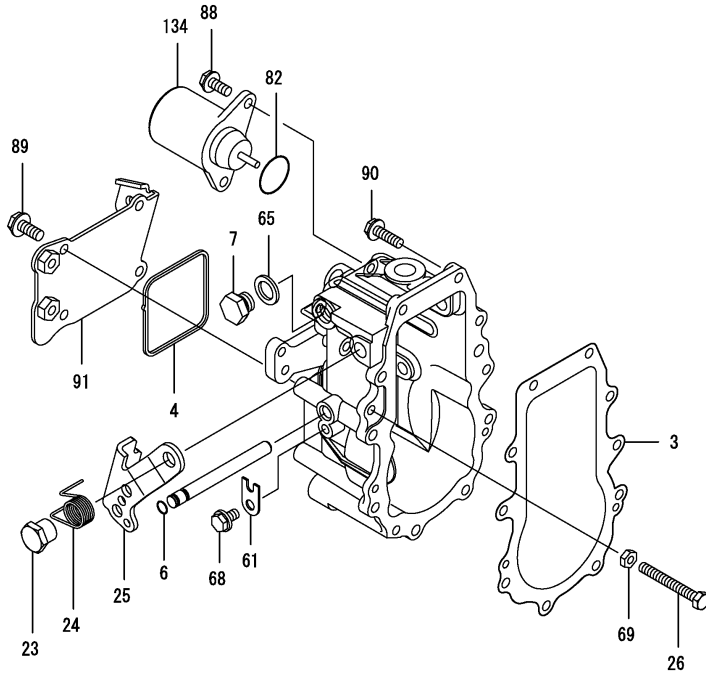
(B)=

(C)=

(D)=

(E)=

(F)=



REF.	LEV.	PARTS NO.	DESCRIPTION	Q'TY						I	R
				(A)	(B)	(C)	(D)	(E)	(F)		
3	2	158553-61050	PACKING, CASE	1							
4	2	158553-61070	PACKING, COVER	1							
6	2	129155-51280	O-RING, S6	1							
7	2	158553-51930	PLUG,M12	1							
23	2	129255-61410	NUT	1							
24	2	119807-61420	SPRING, RETURN	1							
25	2	158552-61441	LEVER, REGULATOR	1							
26	2	129155-61460	BOLT, IDLE	1							
61	2	119660-61901	RETAINER, SHAFT	1							
65	2	22190-120002	SEAL WASHER 12	1							
68	2	26106-060102	BOLT 6X 10 PLATED	1							
69	2	26756-060002	LOCK NUT 6	1							
82	2	158552-61900	O-RING	1							
88	2	26106-060142	BOLT M 6X 14 PLATED	2							
89	2	26106-060142	BOLT M 6X 14 PLATED	4							
90	2	26106-060202	BOLT M 6X 20 PLATED	10							
91	2	158552-61061	COVER, GOVERNOR CASE	1							
134	2	119653-77950	SOLENOID, STOP	1							

Remarks
 * THIS FIGURE(GOVERNOR ASSY)IS
 INCORPORATED IN THE FUEL INJECTION
 PUMP ASSY(FIG.12).

Fig.14.FUEL INJECTION VALVE

(A)=3TNV88-BDSA02

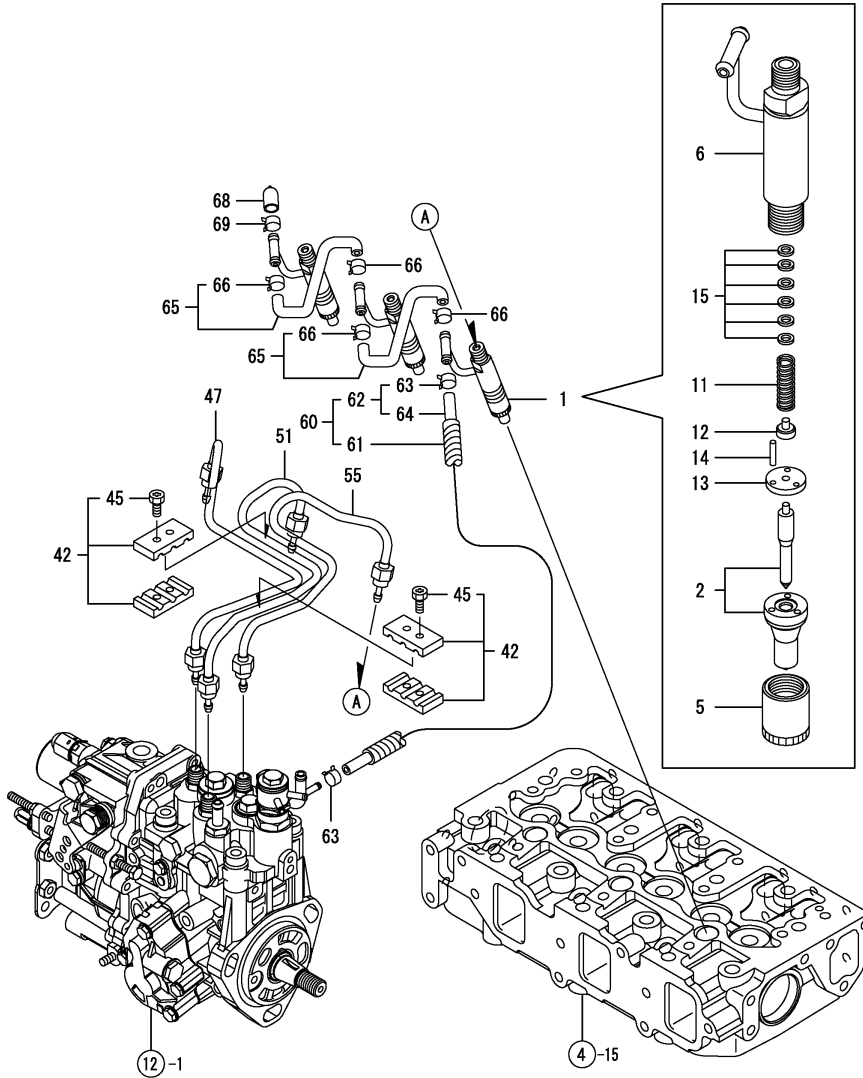
(B)=

(C)=

(D)=

(E)=

(F)=

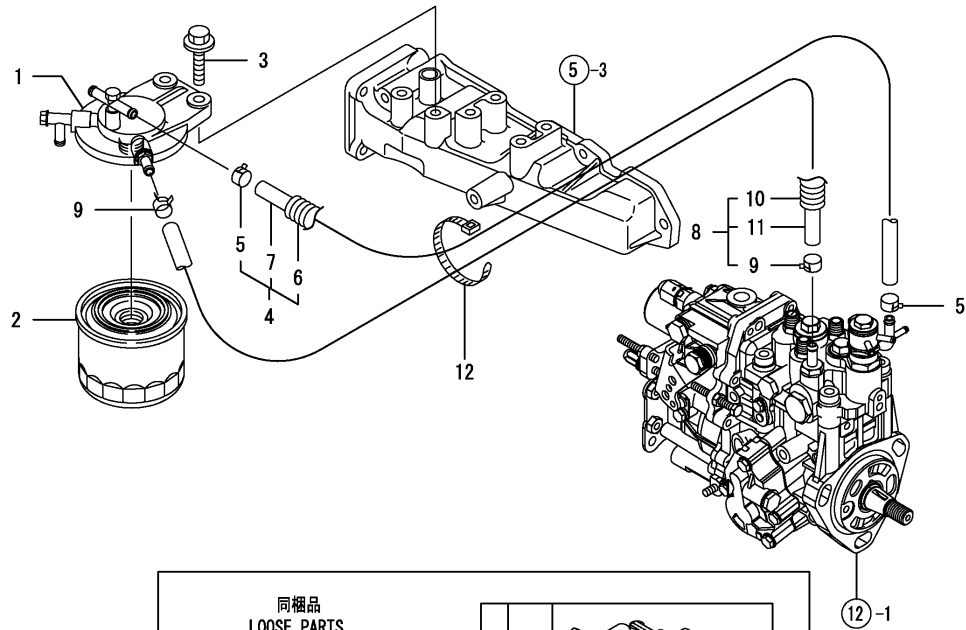


REF.	LEV.	PARTS NO.	DESCRIPTION	Q'TY						I	R
				(A)	(B)	(C)	(D)	(E)	(F)		
1	1	729604-53200	VALVE ASSY,INJECTION	3							
1-1	1	729604-53400	FUEL INJECTOR(REB	3							S 1
(A=E_B1297)											
2	2	129604-53000	NOZZLE ASSY	3							
2-1	2	129604-53300	NOZZLE ASSY	3							S
(A=E_B1297)											
5	2	114250-53080	NUT, CASE	3							
6	2	119802-53100	HOLDER ASSY, NOZZLE	3							
11	2	114250-53120	SPRING, NOZZLE	3							
12	2	114250-53130	SEAT, SPRING	3							
13	2	114250-53140	PLATE, STOP	3							
14	2	114250-53210	PIN	6							
15	2	119803-53400	SHIM SET	3							
42	1	129150-59120	RETAINER, PIPE	2							
45	2	129150-59131	BOLT M4X14,HEX.SCKT.	4							
47	1	129004-59811	PIPE ASSY, INJECTION	1							
51	1	129004-59821	PIPE ASSY, INJECTION	1							
55	1	129004-59831	PIPE ASSY, INJECTION	1							
60	1	129263-59550	PIPE ASSY, RETURN	1							
61	2	129486-59320	TUBE, CORRUGATED	1							
62	2	119802-59550	PIPE ASSY, RETURN	1							
63	3	124722-59050	CLIP, HOSE	2							
64	3	119802-59560	PIPE, FUEL RETURN	1							
65	1	129486-59551	PIPE ASSY, RETURN	2							
66	2	124722-59050	CLIP, HOSE	4							
68	1	119593-59581	CAP	1							
69	1	124060-77680	CLAMP 10	1							

Remarks

(1) REF.NO.1-1 & FIG.NO.12 REF.NO.1-1
INTERCHANGEABLE BY SET.

Fig.15.FUEL LINE



(A)=3TNV88-BDSA02

(B)=

(C)=

(D)=

(E)=

(F)=

REF.	LEV.	PARTS NO.	DESCRIPTION	Q'TY						I	R
				(A)	(B)	(C)	(D)	(E)	(F)		
1	1	129004-55612	BRACKET, FILTER	1							
2	1	119802-55801	FILTER, FUEL	1							
3	1	26106-080302	BOLT M 8X 30 PLATED	2							
4	1	129044-59010	PIPE, FUEL OIL	1							
5	2	124766-59050	CLAMP 12	2							
6	2	129044-59100	TUBE, CORRUGATED	1							
7	2	129044-59510	PIPE, FUEL OIL	1							
8	1	129950-59311	PIPE, FUEL OIL	1							
9	2	124766-59050	CLAMP 12	2							
10	2	129961-59110	TUBE, CORRUGATED	1							
11	2	105025-59580	PIPE, FUEL OIL	1							
12	1	121750-59890	CLAMP 140	1							
13	1	114110-07760	LABEL, FUEL OIL	1							
14	1	119225-52102	PUMP ASSY, FUEL FEED	1							
15	1	129242-55700	SEPARATOR ASSY	1							
16	2	129242-55720	CUP	1							
17	2	129242-55730	ELEMENT	1							
18	2	129242-55740	PLUG, DRAIN	1							
19	2	129242-55750	VALVE, AIR VENT	1							
20	2	129242-55760	PACKING, PLUG	1							
21	2	129242-55770	FLOAT	1							
22	2	24311-000160	O-RING 1A P-16.0	1							
23	2	24321-000750	O-RING 1A G-75.0	1							

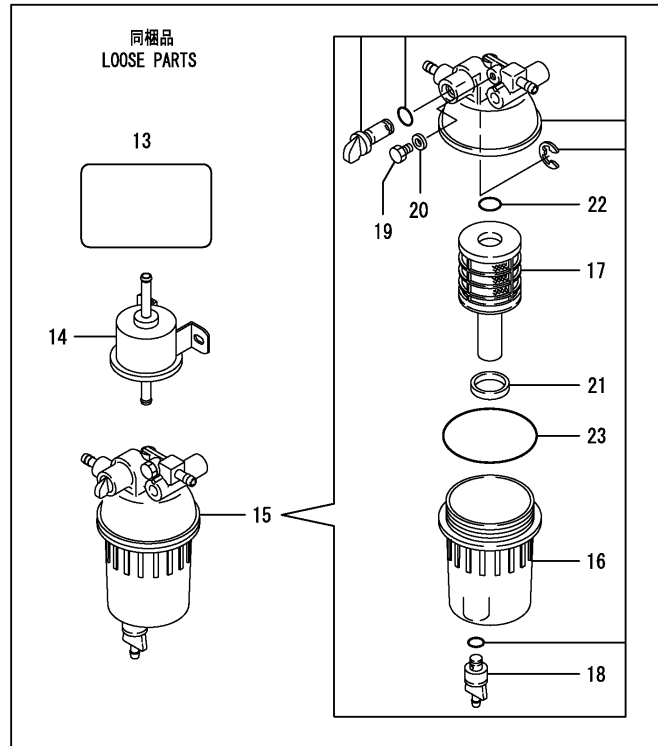


Fig.16.ENGINE CONTROL DEVICE

(A)=3TNV88-BDSA02

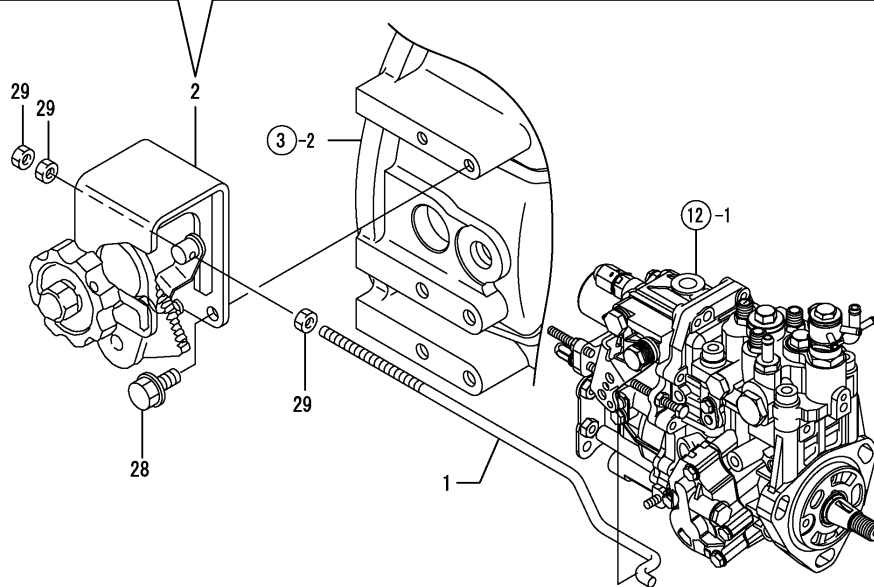
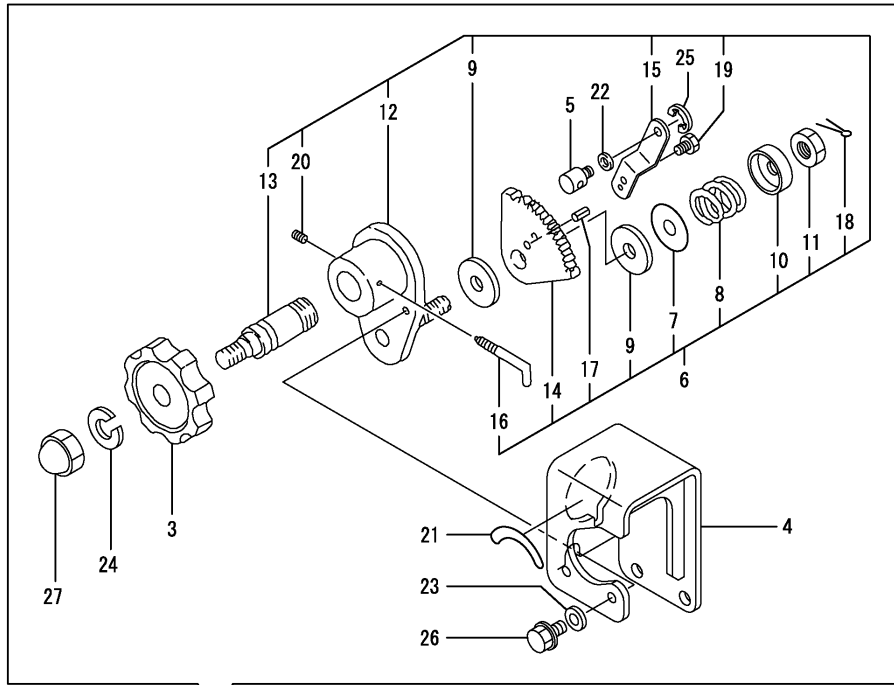
(B)=

(C)=

(D)=

(E)=

(F)=



REF.	LEV.	PARTS NO.	DESCRIPTION	Q'TY						I	R
				(A)	(B)	(C)	(D)	(E)	(F)		
1	1	129247-66120	LINK, ENGINE CONTROL	1							
2	1	119888-66161	CONTROL DEVICE ASSY	1							
3	2	126650-66020	HANDLE, REGULATOR	1							
4	2	119888-66111	BRACKET	1							
5	2	119888-66130	PIVOT	1							
6	2	171048-67010	REGULATOR ASSY	1							
7	3	171102-66080	WASHER	1							
8	3	104200-66820	SPRING, HANDLE	1							
9	3	104200-66831	PLATE, FRICTION	2							
10	3	104200-66850	WASHER, B	1							
11	3	104200-66860	NUT	1							
12	3	171085-67100	BRACKET, GEAR	1							
13	3	171085-67110	SHAFT, DRIVING	1							
14	3	171085-67120	GEAR	1							
15	3	171048-67130	LEVER	1							
16	3	171048-67140	STOPPER	1							
17	3	22351-020006	SPRING PIN 2X 6	1							
18	3	22411-200150	COTTER PIN	1							
19	3	26116-060082	BOLT 6X8	1							
20	3	26921-050122	SCREW M 5X 12	1							
21	2	170064-67210	LABEL, HANDLE	1							
22	2	22117-060000	WASHER 6	1							
23	2	22137-100000	WASHER 10,POLISHED	1							
24	2	22217-100000	SPRING WASHER 10	1							
25	2	22272-000050	CIRCLIP E- 5	1							
26	2	26106-060102	BOLT 6X 10 PLATED	2							
27	2	26657-100002	CAP NUT M10	1							
28	1	26106-080162	BOLT M 8X 16 PLATED	2							
29	1	26756-050002	LOCK NUT M 5 PLATED	3							

Fig.17.STARTING MOTOR

(A)=3TNV88-BDSA02

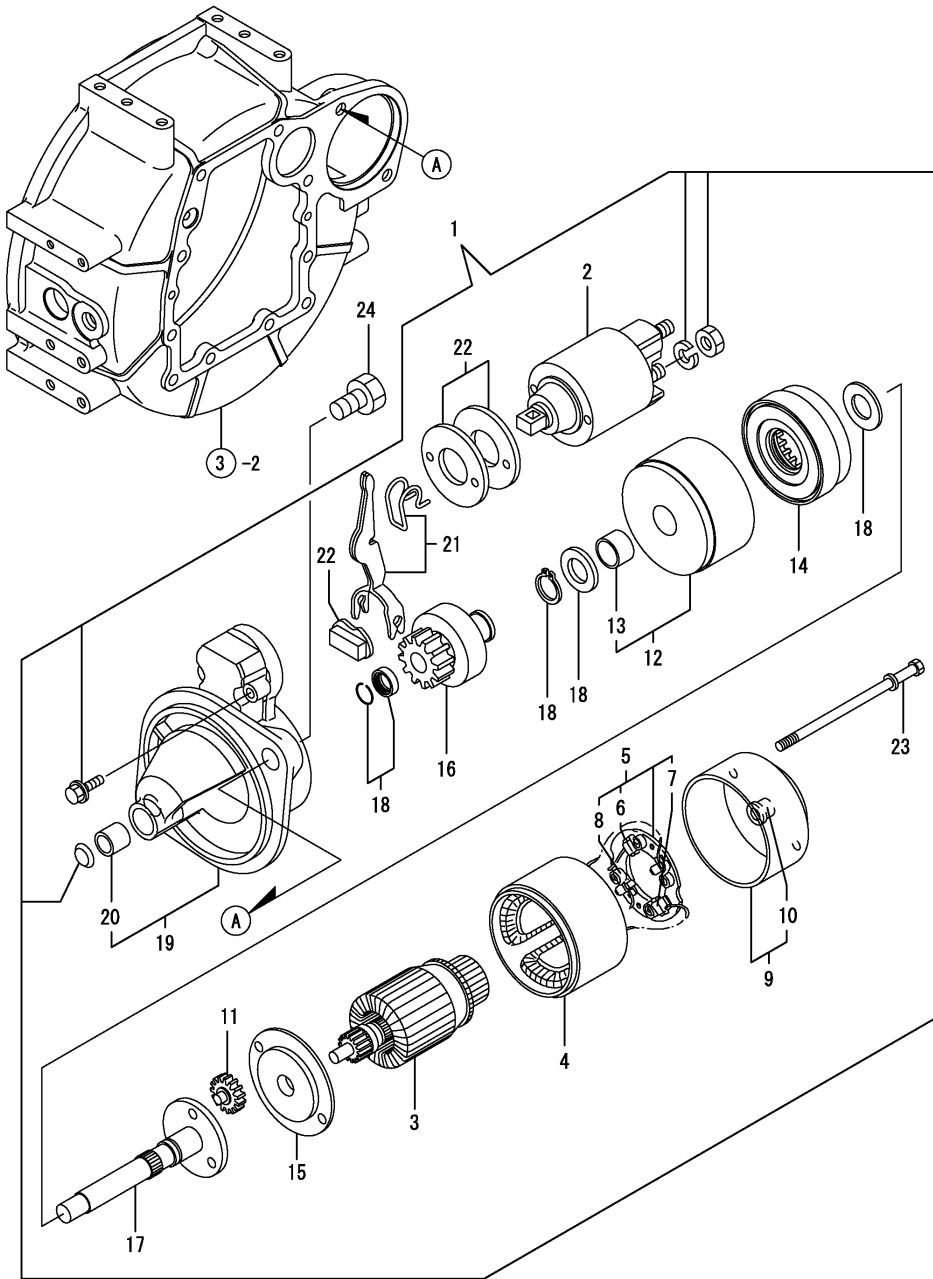
(B)=

(C)=

(D)=

(E)=

(F)=



REF.	LEV.	PARTS NO.	DESCRIPTION	Q'TY						I	R
				(A)	(B)	(C)	(D)	(E)	(F)		
1	1	129242-77010	STARTER	1							
2	2	129698-77020	MAGNETIC SWITCH ASSY	1							
3	2	129242-77100	ARMATURE ASSY	1							
4	2	129242-77110	YOKE ASSY	1							
5	2	129242-77120	BRUSH HOLDER ASSY	1							
6	3	129242-77130	BRUSH(-)	2							
7	3	129242-77140	BRUSH(+) SET	1							
8	3	129242-77150	BRUSH SPRING	4							
9	2	129242-77160	REAR COVER ASSY	1							
10	3	129242-77170	REAR COVER METAL	1							
11	2	118400-77170	PLANET GEAR	3							
12	2	129242-77180	CENTER BRACKET(P)	1							
13	3	129698-77190	BRACKET	1							
14	2	129698-77200	GEAR, INTERNAL	1							
15	2	129242-77210	CENTER BRACKET(A)	1							
16	2	129698-77220	PINION ASSY	1							
17	2	129698-77230	SHAFT(PINION)	1							
18	2	129698-77250	WASHER SET	1							
19	2	129242-77260	GEAR CASE ASSY	1							
20	3	X2114535200	METAL, STARTER	1							
21	2	129242-77270	SHIFT LEVER SET	1							
22	2	129242-77280	DUST COVER KIT	1							
23	2	124195-77770	THROUGH BOLT	2							
24	1	26116-120202	BOLT M12X 20 PLATED	2							

Fig.18.GENERATOR

(A)=3TNV88-BDSA02

(B)=

(C)=

(D)=

(E)=

(F)=

REF.	LEV.	PARTS NO.	DESCRIPTION	QTY						I	R
				(A)	(B)	(C)	(D)	(E)	(F)		
1	1	129795-01900	STUD	1							
2	1	129423-77200	GENERATOR, 12V-40A	1							
3	2	X9490561001	NUT	1							
4	2	119620-77380	ROTOR ASSY	1							
5	3	119620-79240	BALL BEARING	1							
6	3	119620-79250	COVER, BEARING	1							
7	2	119620-79360	WASHER, THRUST	1							
8	2	119620-77421	FLAME ASSY, DRIVE	1							
9	3	119620-79200	BALL BEARING	1							
10	3	119620-79210	PLATE, RETAINER	1							
11	3	119620-79220	SCREW	4							
12	3	119620-79230	STUD	2							
13	2	119620-77440	FLAME ASSY, REAR	1							
14	2	129240-79300	COVER	1							
15	2	119620-77461	PULLEY	1							
16	2	119620-77471	NUT	1							
17	2	129423-77710	REGULATOR ASSY	1							
18	2	119620-79260	HOLDER	1							
19	2	119620-79270	HOLDER, BRUSH	1							
20	3	119620-77480	BRUSH ASSY	2							
21	3	119620-79280	SPRING	2							
22	2	119620-79290	SCREW	1							
23	2	119620-79300	SCREW	1							
24	2	119620-79310	BOLT	3							
25	2	119620-79320	SCREW	2							
26	2	119620-79330	BOLT	2							
27	2	119620-79340	BUSH, INSULATION	1							
28	2	119620-79350	NUT	2							
29	2	119620-77490	COLLAR	1							
30	1	26306-100002	NUT, M10	1							
31	1	129064-77330	ADJUSTER, BELT	1							
32	1	129067-77340	SPACER	1							
33	1	129972-77341	BOLT, ADJUSTER	1							

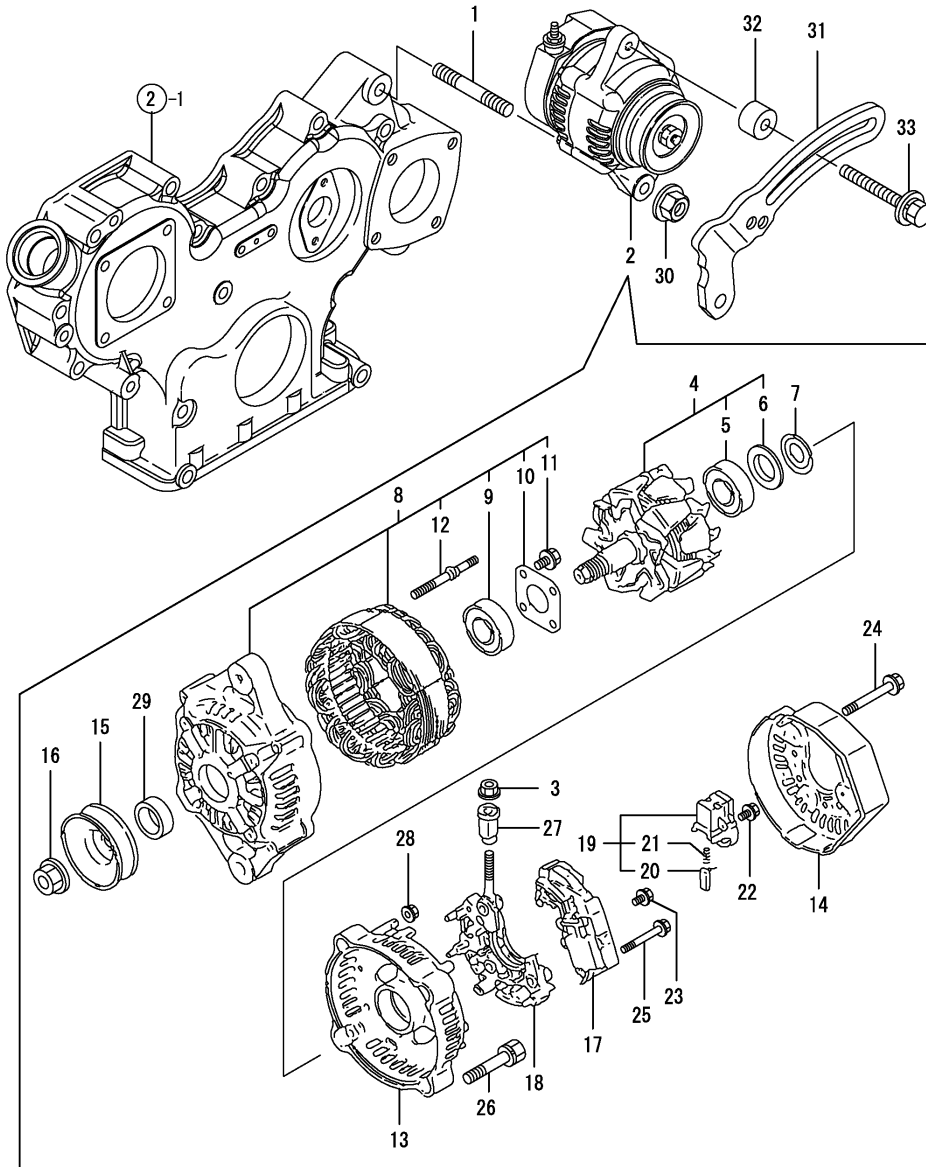


Fig.19.ELECTRIC PARTS

(A)=3TNV88-BDSA02

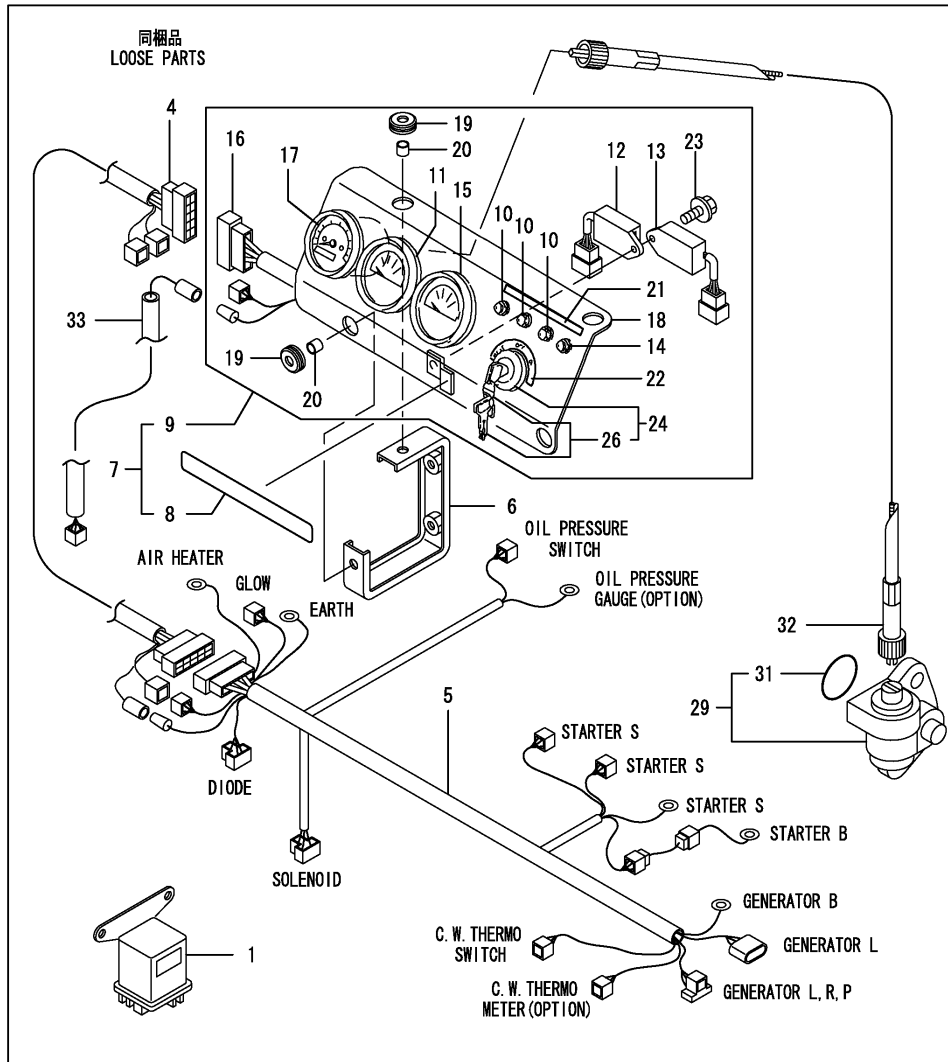
(B)=

(C)=

(D)=

(E)=

(F)=



REF.	LEV.	PARTS NO.	DESCRIPTION	QTY						I	R
				(A)	(B)	(C)	(D)	(E)	(F)		
1	1	119650-77910	RELAY, GROW	1							
4	1	119946-91010	CODE, EXTENSION	1							
5	1	119888-91027	HARNESS, WIRE A	1							
6	1	119888-91120	SUPPORT, PANEL	2							
7	1	119888-91202	PANEL ASSY, INSTRUM.	1							
8	2	104507-07190	LABEL, YANMAR	1							
9	2	119888-91221	PANEL ASSY, INSTRU.	1							
10	3	124732-77720	LAMP, CHARGING	3							
11	3	171010-77850	THERMOMETER, C.W.	1							
12	3	128300-77920	TIMER	1							
13	3	129211-77920	TIMER	1							
14	3	124559-77971	LAMP, PILOT	1							
15	3	171090-91010	GAUGE, PRESSURE	1							
16	3	119888-91032	HARNESS B, WIRE	1							
17	3	171080-91101	TACHOMETER	1							
18	3	119888-91110	BODY	1							
19	3	121400-91520	ABSORBER	4							
20	3	121400-91530	SPACER	4							
21	3	119888-91610	LABEL, CW & OIL LAMP	1							
22	3	119888-91620	LABEL, KEY SWITCH	1							
23	3	26106-060102	BOLT 6X 10 PLATED	1							
24	3	933110-00100	SWITCH ASSY, STARTER	1							
26	4	933110-00301	KEY ASSY	1							
29	1	129150-91400	GEAR, UNIT	1							
31	2	24341-000240	O-RING 1A S-24.0	1							
32	1	124737-91420	CABLE, TACHOMETER	1							
33	1	119946-91020	CODE, EXTENSION	1							

Fig.20.GASKET SET

(A)=3TNV88-BDSA02

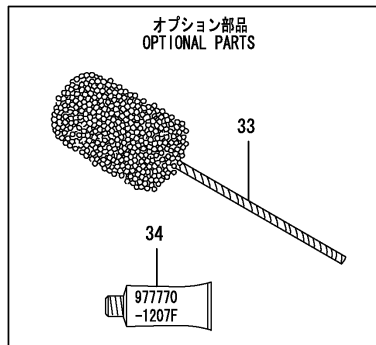
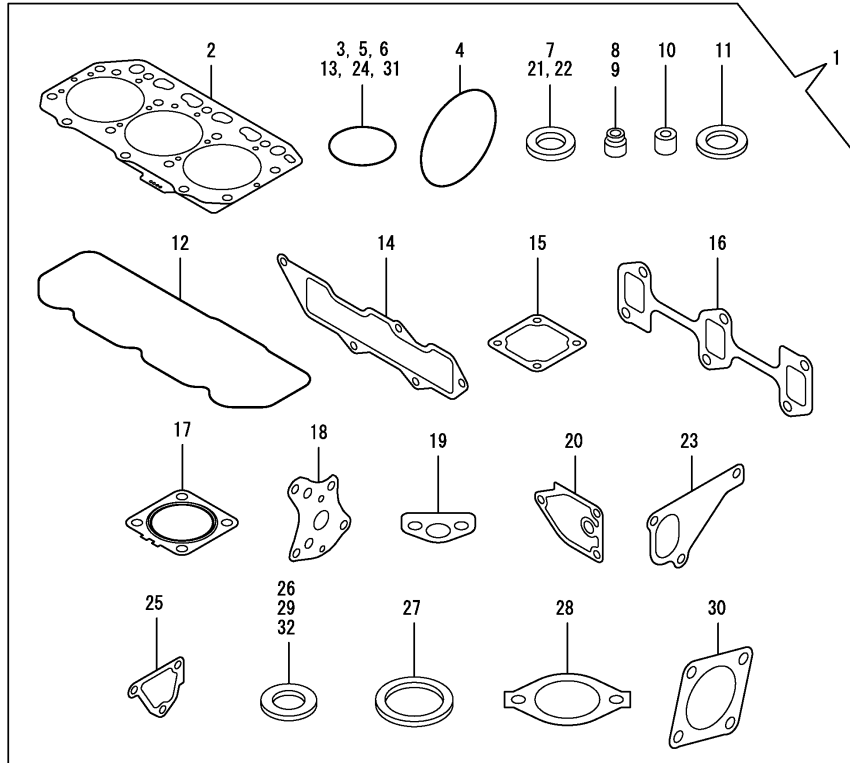
(B)=

(C)=

(D)=

(E)=

(F)=



REF.	LEV.	PARTS NO.	DESCRIPTION	Q'TY						I	R
				(A)	(B)	(C)	(D)	(E)	(F)		
1	1	729005-92940	GASKET SET	1							1
2	2	129001-01340	GASKET, (NON-ASB.)	1							
3	2	119609-32040	O-RING P16	2							
4	2	121850-51960	O-RING, F.I.PUMP	1							
5	2	24311-000320	O-RING 1A P-32.0	2							
6	2	24341-000240	O-RING 1A S-24.0	1							
7	2	22190-220002	WASHER, 22	1							
8	2	121400-11340	SEAL, VALVE STEM	3							
9	2	124460-11340	SEAL, VALVE STEM	3							
10	2	119802-11870	PROTECTOR, NOZZLE	3							
11	2	119625-11880	SEAT, NOZZLE	3							
12	2	129004-11310	GASKET, BONNET	1							
13	2	24311-000120	PACKING, P 12.0	3							
14	2	129001-12110	GASKET, MANIFOLD	1							
15	2	129150-77511	GASKET, AIR HEATER	1							
16	2	129150-13110	GASKET, EXH.MANIFOLD	1							
17	2	129004-13200	GASKET, SILENCER	2							
18	2	129150-32020	GASKET, PUMP	1							
19	2	129150-35042	GASKET, PIPE	1							
20	2	129150-35111	GASKET, BRACKET	1							
21	2	22190-080002	SEAL WASHER 8S	7							
22	2	22190-100002	WASHER, 10	2							
23	2	129486-42021	GASKET, WATER PUMP	1							
24	2	129486-42140	O-RING, G30	1							
25	2	124395-49840	GASKET, CASE	1							
26	2	23414-080000	GASKET 8, ROUND	1							
27	2	129150-49811	GASKET, THERMOSTAT	1							
28	2	129795-49551	GASKET, COVER	1							
29	2	124465-44950	GASKET, 16	1							
30	2	124240-01883	GASKET, PUMP	1							
31	2	24321-000800	O-RING 1A G-80.0	1							
32	2	129150-49360	GASKET 10	1							
33	1	129400-92430	HORN, FLEX	1							1
34	1	977770-1207F	GASKET.LIQUID	1							1

Remarks
(1) OPTIONAL PART.

Fig.21.SHORT BLOCK

(A)=3TNV88-BDSA02

(B)=

(C)=

(D)=

(E)=

(F)=

REF.	LEV.	PARTS NO.	DESCRIPTION	Q'TY						I	R
				(A)	(B)	(C)	(D)	(E)	(F)		
1	1	729232-01000	SHORT BLOCK ASSY	1							
2	2	129232-01560	CYLINDER BLOCK CMP	1							
3	2	729402-01650	CASE ASSY, OIL SEAL	1							
3-1	2	129648-01600	CASE ASSY, OIL SEAL	1							N
		(A=EZZZZZ)									
4	2	129150-14200	TAPPET	6							
5	2	129129-14580	CAMSHAFT ASSY	1							
6	2	129008-21000	CRANKSHAFT ASSY	1							
7	2	129005-22080	PISTON ASSY	3							
8	2	129202-22300	PIN, PISTON	3							
9	2	729402-23100	ROD ASSY, CONNECTING	3							
10	2	119802-25101	GEAR ASSY, IDLE	1							
11	2	22252-000260	RING, 26	6							
12	2	26106-080142	BOLT, 8 X14	2							

NOT ILLUSTRATED

Remarks
*NOT ILLUSTRATED.