

Fig.1.CYLINDER BLOCK

(A)=3TNV88-DCR

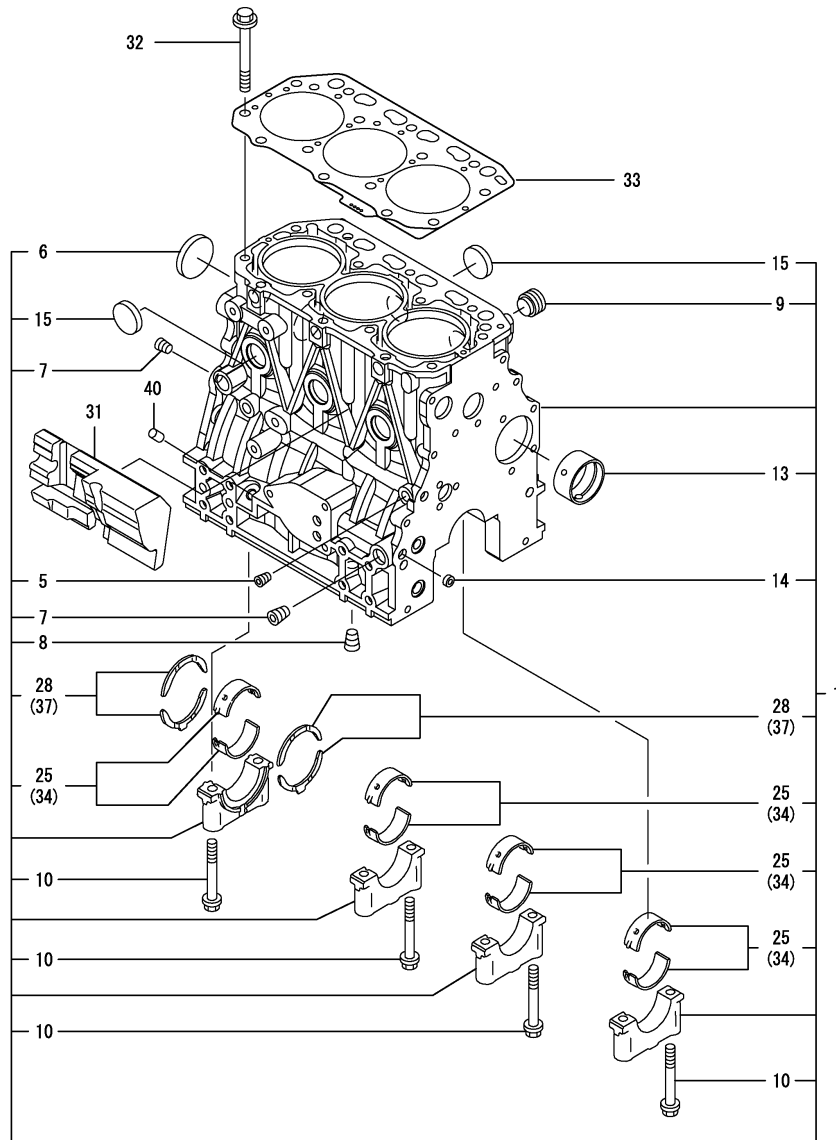
(B)=

(C)=

(D)=

(E)=

(F)=

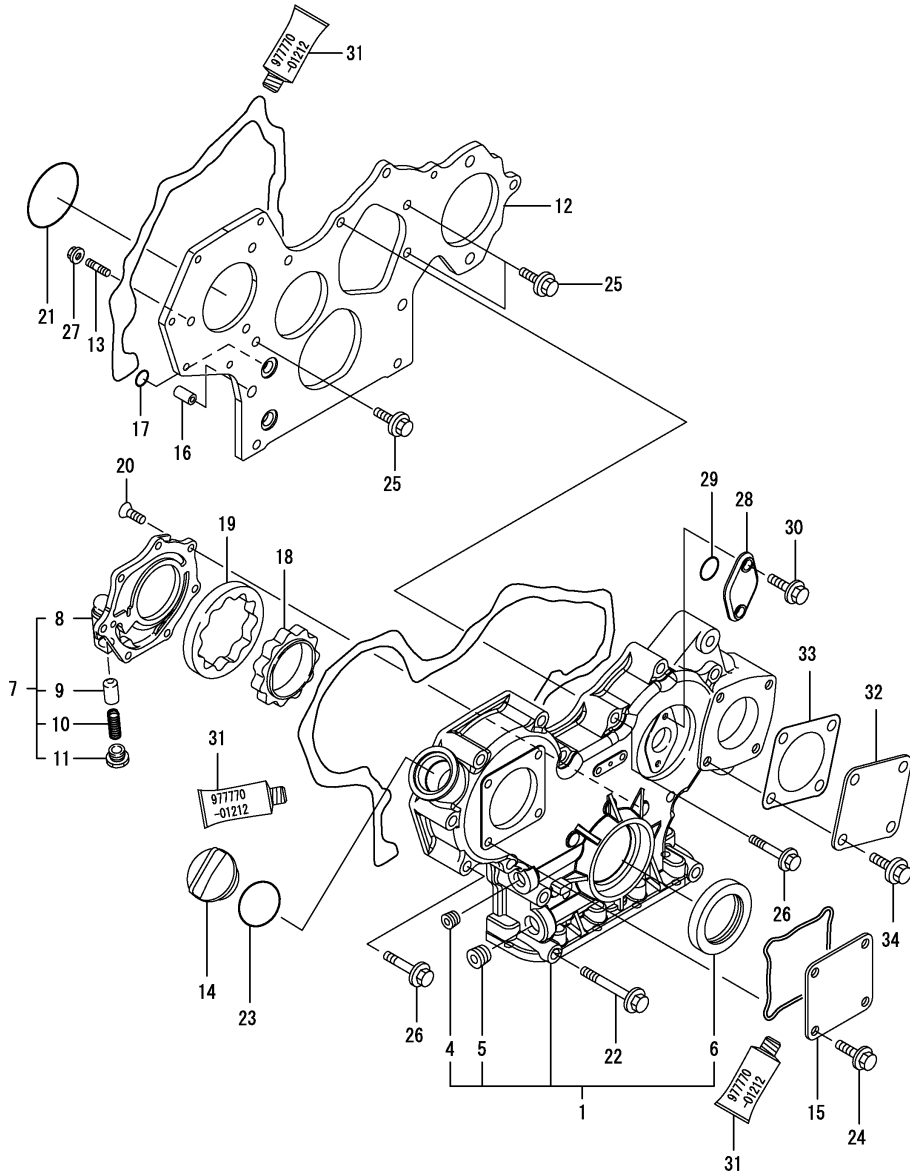


REF.	LEV.	PARTS NO.	DESCRIPTION	QTY						I	R
				(A)	(B)	(C)	(D)	(E)	(F)		
1	1	729005-01560	BLOCK ASSY, CYLINDER	1							
5	2	124060-01050	PLUG PT1/8	1							
6	2	129001-01250	PLUG 50	1							
7	2	124160-01910	PLUG PT1/4	2							
8	2	124160-01910	PLUG PT1/4	1							
9	2	171051-01921	PLUG	1							
10	2	129150-02020	BOLT, METAL CAP	8							
13	2	129795-02411	BUSH, CAMSHAFT	1							
14	2	27241-120000	PLUG 12	2							
15	2	27241-300000	PLUG 30	6							
25	2	129001-02930	MAIN BEARING SET	4							3
28	2	129150-02930	METAL, THRUST	2							
31	1	129004-01190	SPACER	1							
32	1	129150-01200	STUD, CYL. HEAD	14							
33	1	129001-01340	GASKET, (NON-ASB.)	1							
34	1	129150-02870	MAIN METAL US=0.25	4							1
37	1	129150-02940	METAL, THRUST.25(4PIE	1							2
40	1	119309-01810	PLUG	1							

Remarks

- (1) UNDER-SIZE(U.S=0.25)PART.
- (2) OVER-SIZE(O.S=0.25)PART.
- (3) REPAIR PART.

Fig.2.GEAR HOUSING



(A)=3TNV88-DCR

(B)=

(C)=

(D)=

(E)=

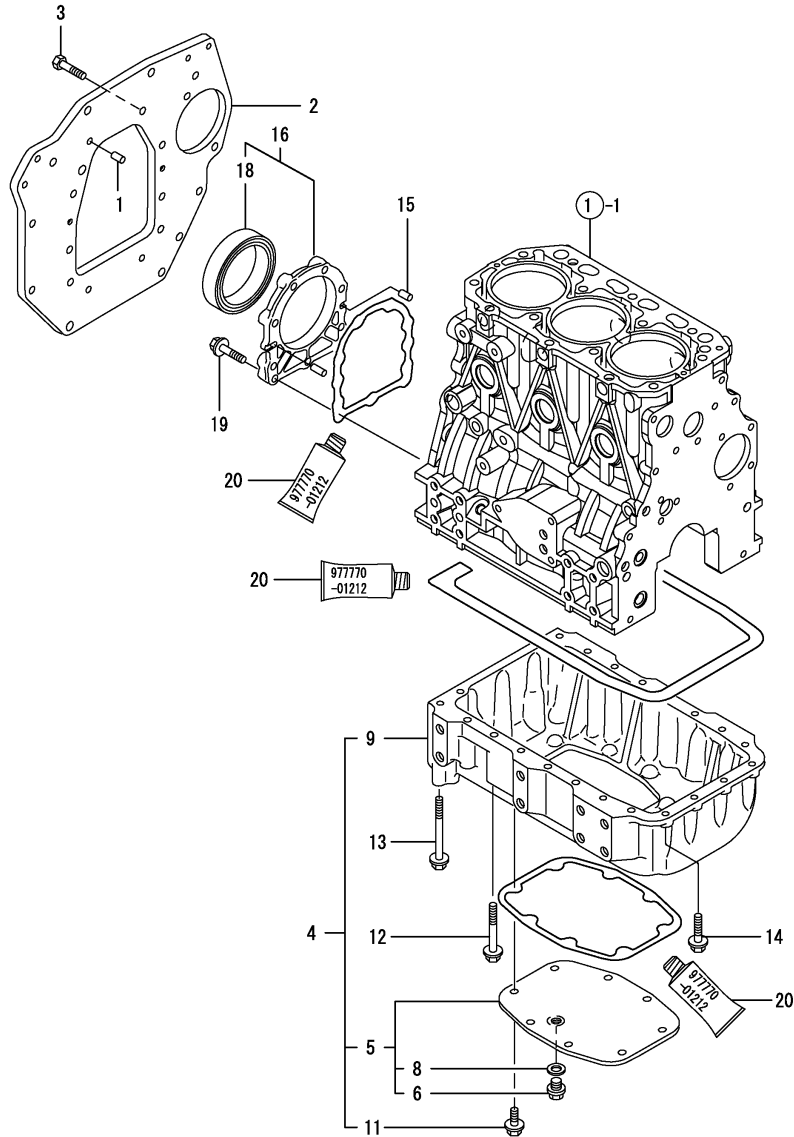
(F)=

REF.	LEV.	PARTS NO.	DESCRIPTION	QTY						I	R
				(A)	(B)	(C)	(D)	(E)	(F)		
1	1	729005-01500	GEAR CASE ASSY	1							
4	2	23876-030000	PLUG PT3/8,SCREW	1							
5	2	23876-040000	PLUG PT 1/2	1							
6	2	129795-01800	SEAL, OIL	1							
7	1	119802-32100	COVER ASSY, PUMP	1							
8	2	119802-32070	COVER, LUB.OIL PUMP	1							
9	2	129900-32130	VALVE, RELIEF	1							
10	2	129418-32320	SPRING	1							
11	2	129001-32330	PLUG	1							
12	1	129005-01520	FLANGE, GEAR CASE	1							
13	1	119802-01560	STUD, M8X25	3							
14	1	124160-01751	COVER,FILLER	1							
15	1	124240-01871	COVER, HO-P	1							
16	1	129795-01950	PIPE, KNOCK L=18	2							
17	1	119609-32040	O-RING P16	4							
18	1	119802-32111	ROTOR, INNER	1							
19	1	119802-32120	ROTOR, OUTER	1							
20	1	119802-32130	SCREW, M6X16	7							
21	1	121850-51960	O-RING, F.I.PUMP	1							
22	1	129001-91841	BOLT M 8X 85 PLATED	3							
23	1	24311-000320	O-RING 1A P-32.0	1							
24	1	26106-080162	BOLT M 8X 16 PLATED	4							
25	1	26106-080162	BOLT M 8X 16 PLATED	3							
26	1	26106-080552	BOLT M 8X 55 PLATED	11							
27	1	26306-080002	NUT	3							
28	1	121023-01550	COVER, BLIND	1							
29	1	24341-000240	O-RING 1A S-24.0	1							
30	1	26106-060162	BOLT M 6X 16 PLATED	2							
31	1	977770-01212	GASKET, LIQUID	1							1
32	1	124240-01871	COVER, HO-P	1							
33	1	124240-01883	GASKET, (NON-ASB.)	1							
34	1	26106-080162	BOLT M 8X 16 PLATED	4							

Remarks

(1) OPTIONAL PART.

Fig.3.MOUNTING FLANGE & OIL SUMP



OCV10-G97200 3.MOUNTING FLANGE & OIL SUMP

(A)=3TNV88-DCR

(B)=

(C)=

(D)=

(E)=

(F)=

REF.	LEV.	PARTS NO.	DESCRIPTION	Q'TY						I	R
				(A)	(B)	(C)	(D)	(E)	(F)		
1	1	129100-01580	PARALLEL PIN 8X16	2							
2	1	129129-01600	FLANGE, MOUNTING	1							
3	1	26206-100202	BOLT M10X20	8							
4	1	129126-01550	OILPAN ASSY	1							
5	2	129129-01540	LUB.OIL CMP	1							
6	3	105425-01690	PLUG M16	1							
8	3	22190-160002	SEAL WASHER 16S	1							
9	2	129126-01700	OIL PAN	1							
11	2	26106-080122	BOLT M 8X 12 PLATED	8							
12	1	129001-91841	BOLT M 8X 85 PLATED	14							
13	1	129001-91910	BOLT M 8X120	4							
14	1	26106-080252	BOLT M 8X 25 PLATED	4							
15	1	129100-01580	PARALLEL PIN 8X16	2							
16	1	129100-01640	CASE ASSY, OIL SEAL	1							
18	2	129795-01780	SEAL, OIL	1							
19	1	129486-01670	BOLT M8X30,COLLAR HD	9							
20	1	977770-01212	GASKET, LIQUID	1							1

Remarks

(1) OPTIONAL PART.

Fig.4.CYLINDER HEAD & BONNET

(A)=3TNV88-DCR

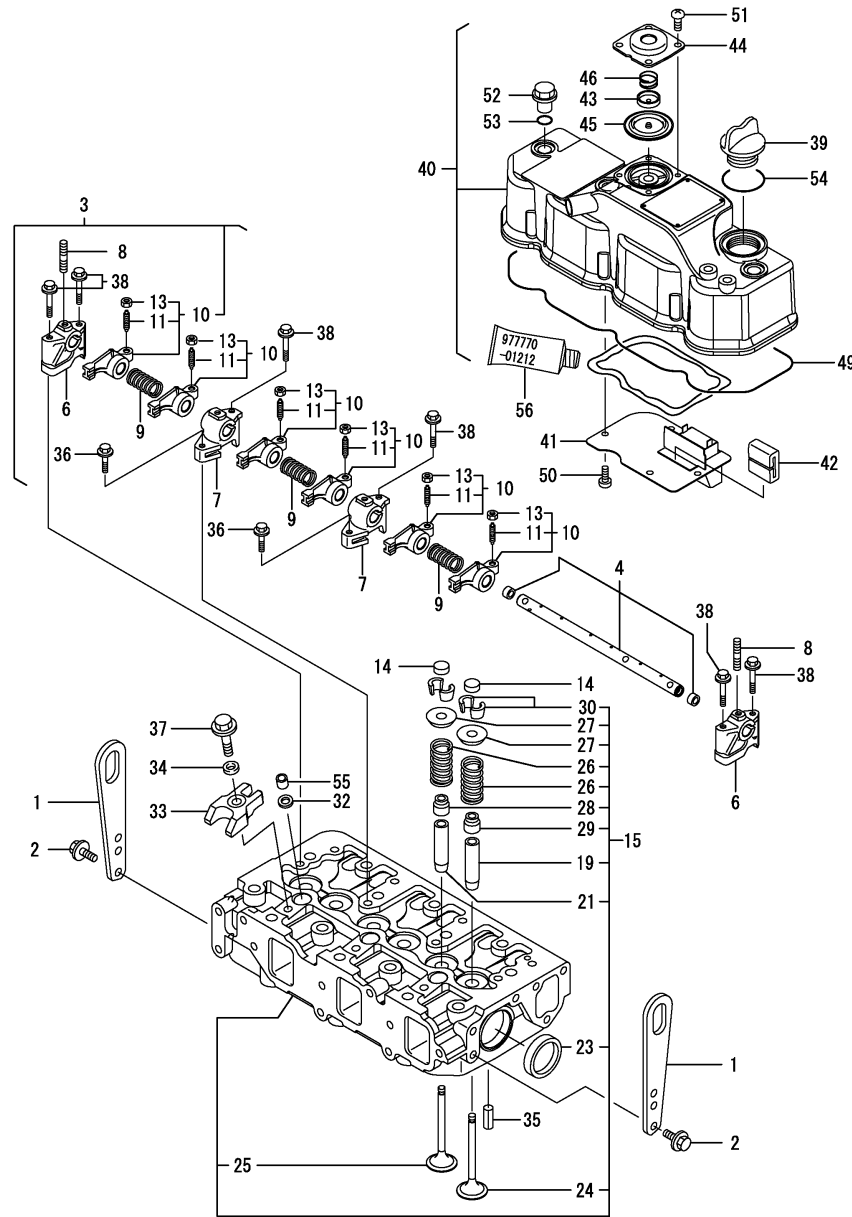
(B)=

(C)=

(D)=

(E)=

(F)=



REF.	LEV.	PARTS NO.	DESCRIPTION	QTY						I	R
				(A)	(B)	(C)	(D)	(E)	(F)		
1	1	129900-07900	LIFTER, ENGINE	2							
2	1	26106-080142	BOLT 8X 14 PLATED	4							
3	1	129004-11241	SHAFT ASSY, ROCKER	1							
4	2	129004-11251	SHAFT, ROCKER ARM	1							
6	2	119802-11260	SUPPORT, ROCKER ARM	2							
7	2	119802-11270	SUPPORT, ROCKER ARM	2							
8	2	119802-11280	STUD	3							
9	2	129150-11280	SPRING	3							
10	2	129004-11650	ARM ASSY, ROCKER	6							
11	3	129150-11230	SCREW, VALVE	6							
13	3	129150-11750	NUT M8XP1.0	6							
14	1	129150-11370	CAP, VALVE	6							
15	1	129005-11700	HEAD ASSY, CYLINDER	1							
19	2	120130-11860	GUIDE, VALVE	3							1
21	2	129150-11810	GUIDE, VALVE	3							1
23	2	27241-400000	PLUG 40	2							
24	2	129005-11100	VALVE, INTAKE	3							
25	2	129100-11110	VALVE, EXHAUST	3							
26	2	129795-11120	SPRING, VALVE	6							
27	2	129795-11180	RETAINER, SPRING	6							
28	2	121400-11340	SEAL, VALVE STEM	3							
29	2	124460-11340	SEAL, VALVE STEM	3							
30	2	27310-080001	COTTER 8	6							
32	1	119625-11880	SEAT, NOZZLE	3							
33	1	129004-11900	RETAINER, NOZZLE	3							
34	1	120270-54410	WASHER	3							
35	1	22351-060012	SPRING PIN 6X12	2							
36	1	26106-080252	BOLT M 8X 25 PLATED	2							
37	1	26106-080352	BOLT M 8X 35 PLATED	3							
38	1	26106-080502	BOLT M 8X 50 PLATED	6							
39	1	124160-01751	COVER,FILLER	1							
40	1	129004-11350	BONNET ASSY, HEAD	1							
41	2	129004-03010	PLATE, BAFFLE	1							
42	2	129150-03070	BAFFLE, BREATHER	1							
43	2	119802-03110	PLATE, DIAPHRAGM	1							
44	2	119802-03120	COVER, DIAPHRAGM	1							
45	2	119802-03130	DIAPHRAGM	1							
46	2	119802-03140	SPRING, DIAPHRAGM	1							
49	2	129004-11310	GASKET, BONNET	1							
50	2	22857-500100	SCREW 5X10,TAPPING	4							
51	2	22857-500100	SCREW 5X10,TAPPING	4							
52	1	124160-11360	KNOB	3							
53	1	24311-000120	O-RING 1A P 12.0	3							
54	1	24311-000320	O-RING 1A P-32.0	1							
55	1	119802-11870	PROTECTOR, NOZZLE	3							
56	1	977770-01212	GASKET, LIQUID	1							2

Remarks
 (1) REPAIR PART.
 (2) OPTIONAL PART.

Fig.5.SUCTION MANIFOLD

0CV10-G97200 5.SUCTION MANIFOLD

(A)=3TNV88-DCR
(B)=
(C)=

(D)=
(E)=
(F)=

REF.	LEV.	PARTS NO.	DESCRIPTION	QTY						I	R
				(A)	(B)	(C)	(D)	(E)	(F)		
1	1	129005-03080	PIPE, BREATHER	1							
2	2	129410-03990	CLAMP 22	2							
3	1	129005-12100	MANIFOLD, INTAKE	1							
5	1	129001-12110	GASKET,INT. MANIFOLD	1							
6	1	26106-080202	BOLT M 8X 20 PLATED	4							
7	1	26106-080802	BOLT M 8X 80 PLATED	1							
8	1	129100-77500	HEATER, AIR	1							
9	1	129100-77510	GASKET, AIR HEATER	1							
10	1	129150-77511	GASKET, (NON-ASB.)	1							
11	1	171340-77520	BEND	1							
12	1	26106-080402	BOLT M 8X 40 PLATED	2							
13	1	26106-080802	BOLT M 8X 80 PLATED	2							

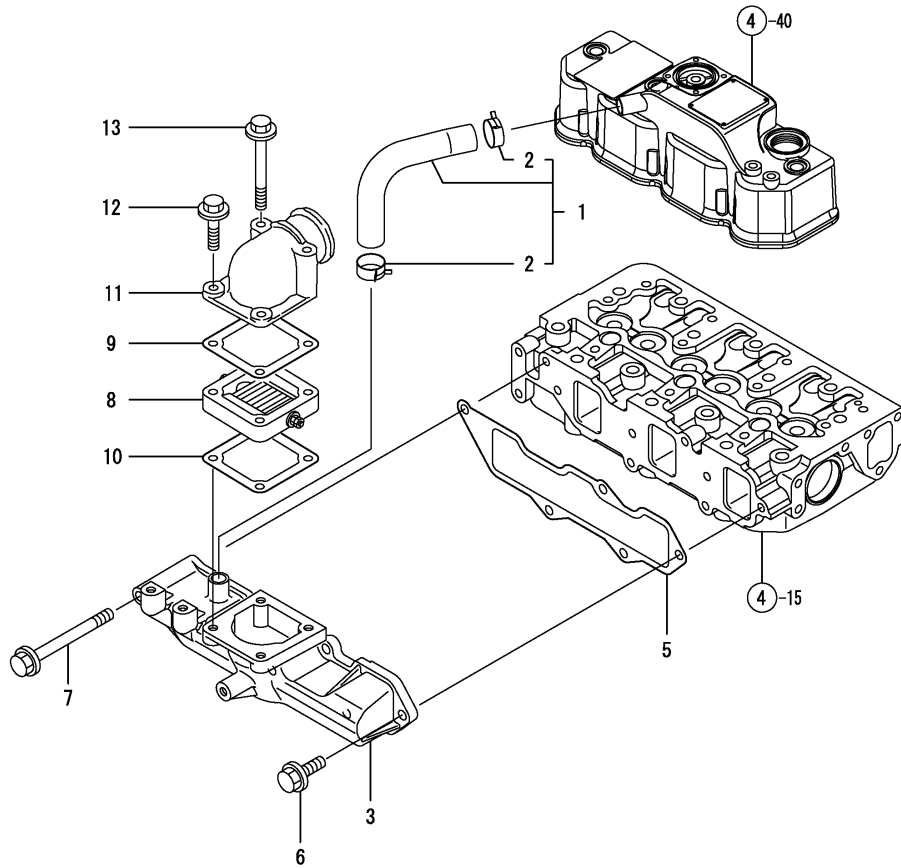


Fig.6.EXHAUST MANIFOLD

0CV10-G97200 6.EXHAUST MANIFOLD

(A)=3TNV88-DCR
(B)=
(C)=

(D)=
(E)=
(F)=

REF.	LEV.	PARTS NO.	DESCRIPTION	QTY						I	R
				(A)	(B)	(C)	(D)	(E)	(F)		
1	1	129263-13100	MANIFOLD, EXHAUST	1							
3	2	22351-040012	SPRING PIN 4X12	1							
4	1	119802-13710	STUD M 8X 40 PLATED	2							
5	1	119802-13600	BOLT M 8X 40 PLATED	2							
6	1	119802-13660	BOLT, M8X75	2							
7	1	129150-13110	GASKET, EXH.MANIFOLD	1							
8	1	26306-080002	NUT	2							
9	1	129107-13540	PACKING,SILENCER GSK	1							

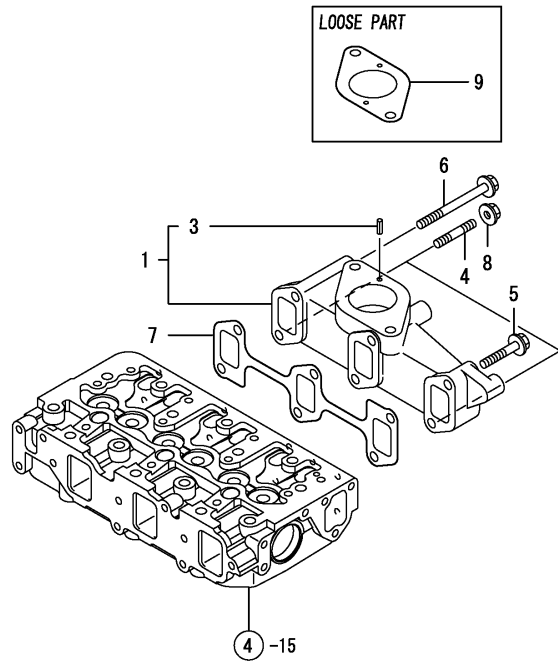


Fig.7.CAMSHAFT & DRIVING GEAR

(A)=3TNV88-DCR

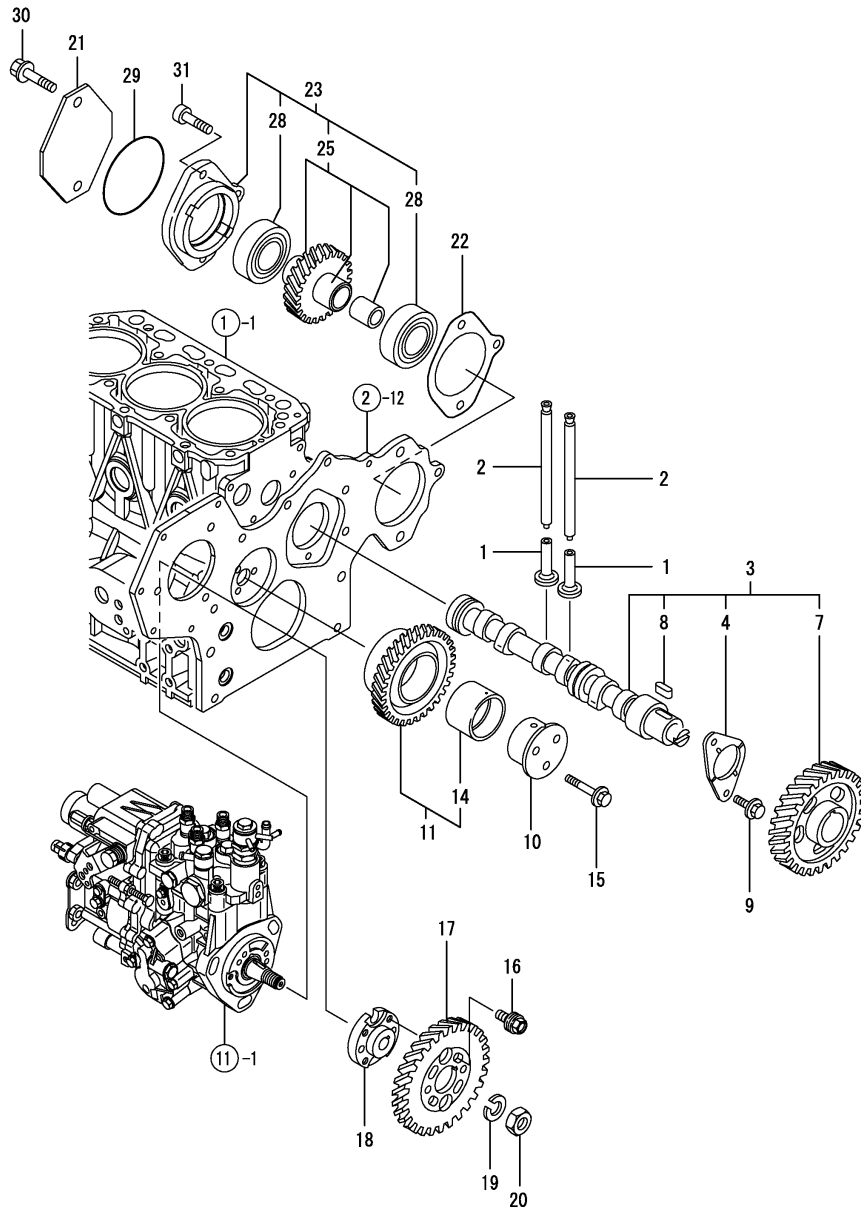
(B)=

(C)=

(D)=

(E)=

(F)=



REF.	LEV.	PARTS NO.	DESCRIPTION	Q'TY						I	R
				(A)	(B)	(C)	(D)	(E)	(F)		
1	1	129150-14200	TAPPET	6							
2	1	129150-14400	ROD, PUSH	6							
3	1	129129-14580	CAMSHAFT ASSY	1							
4	2	129150-02450	METAL,THRUST(CAM	1							
7	2	129150-14101	GEAR, CAMSHAFT	1							
8	2	22512-070140	KEY 7X 14	1							
9	1	26106-080142	BOLT 8X 14 PLATED	2							
10	1	119802-25051	SHAFT, IDLE GEAR	1							
11	1	119802-25100	GEAR ASSY, IDLE	1							
14	2	119802-25070	BUSH, IDLE GEAR	1							1
15	1	26106-080402	BOLT M 8X 40 PLATED	3							
16	1	129150-25301	BOLT,FI-P	4							
17	1	119802-25901	GEAR, PUMP	1							
18	1	158552-51151	FLANGE	1							
19	1	22217-140000	SPRING WASHER 14	1							
20	1	26776-140002	LOCK NUT M14 PLATED	1							
21	1	121023-26070	COVER, HO-P	1							
22	1	171353-26081	GASKET,HO-P BRACKET	1							
23	1	129484-26200	GEAR ASSY, H.O. PUMP	1							
25	2	129484-26210	GEAR W/SHAFT	1							
28	2	24105-060064	BALL BEARING	2							
29	1	24321-000850	O-RING 1A G-85.0	1							
30	1	26106-100452	BOLT M10X 45 PLATED	2							
31	1	26450-080282	BOLT M 8X 28	1							

Remarks
(1) REPAIR PART.

Fig.8.CRANKSHAFT & PISTON

(A)=3TNV88-DCR

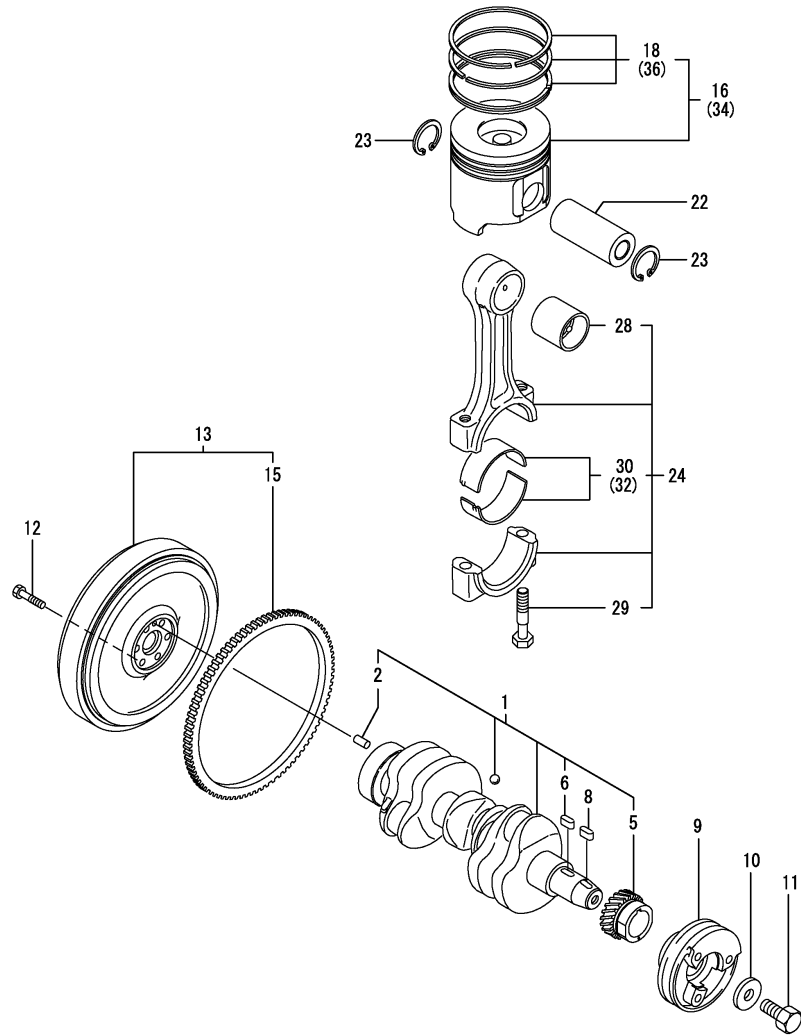
(B)=

(C)=

(D)=

(E)=

(F)=



REF.	LEV.	PARTS NO.	DESCRIPTION	QTY						I	R
				(A)	(B)	(C)	(D)	(E)	(F)		
1	1	129004-21002	CRANKSHAFT ASSY	1							
2	2	129100-01580	PARALLEL PIN 8X16	1							
5	2	119802-21202	GEAR, CRANKSHAFT	1							
6	2	22512-070140	KEY 7X 14	1							
8	1	22512-070140	KEY 7X 14	1							
9	1	129051-21660	V-PULLEY	1							
10	1	129795-21661	WASHER	1							
11	1	121850-21680	BOLT, V-PULLEY	1							
12	1	124160-21501	BOLT, FLYWHEEL	6							
13	1	129051-21570	FLYWHEEL ASSY	1							
15	2	119865-21600	GEAR, RING	1							
16	1	129005-22080	PISTON ASSY	3							
18	2	129005-22500	RING SET, PISTON	3							
22	1	129202-22300	PIN, PISTON(D26,L70)	3							
23	1	22252-000260	CIRCLIP 26	6							
24	1	729402-23100	ROD ASSY, CONNECTING	3							
28	2	129100-23910	BUSH, PISTON PIN	3							1
29	2	121550-23200	BOLT, CONNECTING ROD	6							
30	2	129150-23600	METAL, CRANKPIN	3							
32	1	129150-23610	METAL.PIN US=0.25	3							2
34	1	129005-22900	PISTON W/RING OS=.25	3							3
36	2	129005-22950	RING SET O.S=0.25	3							3

Remarks

- (1) REPAIR PART.
- (2) UNDER-SIZE(U.S=0.25)PART.
- (3) OVER-SIZE(O.S=0.25)PART.

Fig.9.LUB.OIL SYSTEM

(A)=3TNV88-DCR

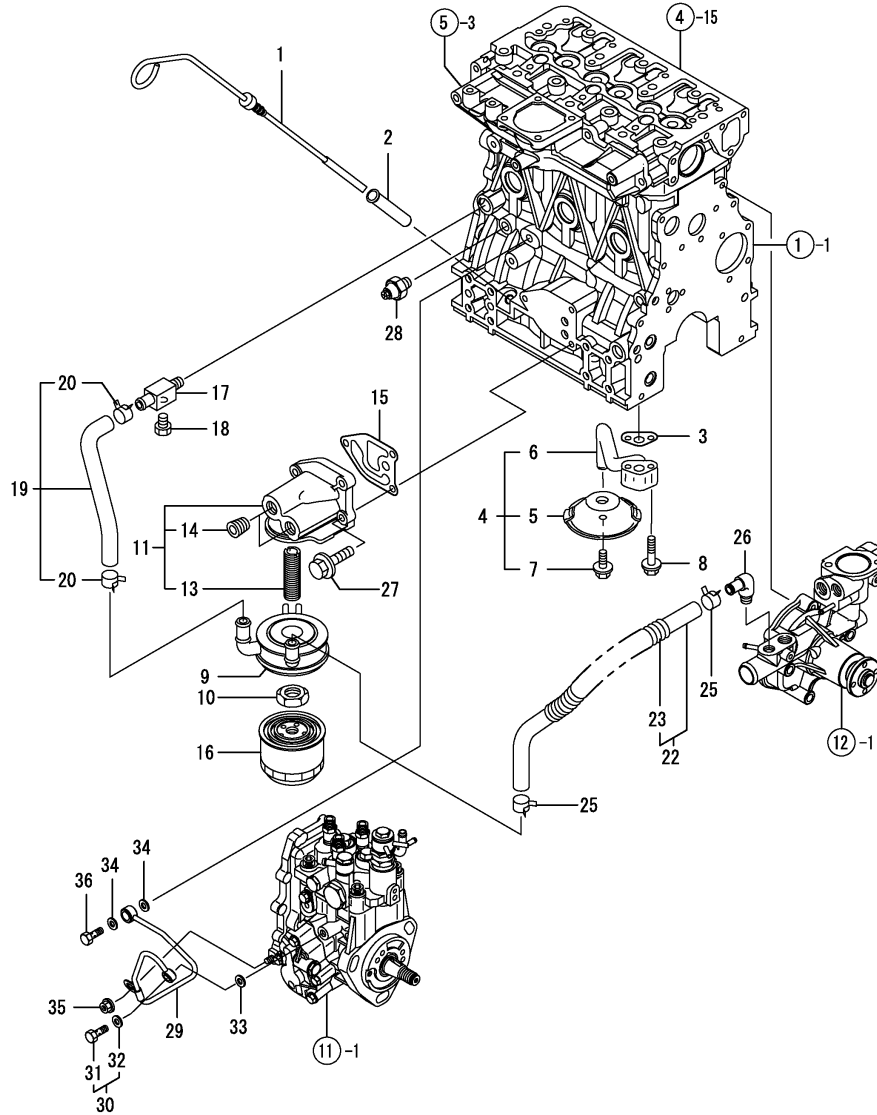
(B)=

(C)=

(D)=

(E)=

(F)=



REF.	LEV.	PARTS NO.	DESCRIPTION	QTY						I	R
				(A)	(B)	(C)	(D)	(E)	(F)		
1	1	129263-34810	DIPSTICK, LUB.OIL	1							
2	1	121520-34810	GUIDE, DIPSTICK	1							
3	1	129150-35041	GASKET, (NON-ASB.)	1							
4	1	129129-35090	L.O. PICK-UP ASSY	1							
5	2	129129-35010	INLET	1							
6	2	129129-35080	PIPE,L.O. PICK-UP	1							
7	2	26106-080122	BOLT M 8X 12 PLATED	1							
8	1	26106-080352	BOLT M 8X 35 PLATED	2							
9	1	129067-33011	COOLER ASSY, OIL	1							
10	1	129417-33110	NUT OIL COOLER	1							
11	1	129033-35100	BRACKET ASSY	1							
13	2	129417-35150	STUD	1							
14	2	124085-01770	PLUG NPT1/2	2							
15	1	129103-35122	GASKET, (NON-ASB.)	1							
16	1	129150-35153	FILTER 80X80L	1							1
17	1	129006-44480	JOINT	1							
18	1	171056-49120	PLUG, DRAIN	1							
19	1	129033-49030	PIPE ASSY, COOLER IN	1							
20	2	171008-03990	CLAMP 18.5	2							
22	1	129165-49040	PIPE CP,C.W.,C/R-PMP	1							
23	2	129165-49060	TUBE CORRUGATED	1							
25	1	23080-018000	CLAMP 18	2							
26	1	129103-49301	ELBOW PT 1/4	1							
27	1	26106-080252	BOLT M 8X 25 PLATED	3							
28	1	121252-39450	SENDER, OIL PRESSURE	1							
29	1	119802-39450	PIPE ASSY, LUB. OIL	1							
30	1	129005-59830	BOLT ASSY, JOINT	1							
31	2	23857-030000	JOINT BOLT 3	1							
32	2	22190-080002	SEAL WASHER 8S	1							
33	1	22190-080002	SEAL WASHER 8S	1							
34	1	22190-100002	SEAL WASHER 10S	2							
35	1	26366-060002	NUT M 6	1							
36	1	124160-39140	BOLT 10, PIPE JOINT	1							

Remarks
(1) REPAIR PART.

Fig.10.COOLING WATER SYSTEM

(A)=3TNV88-DCR

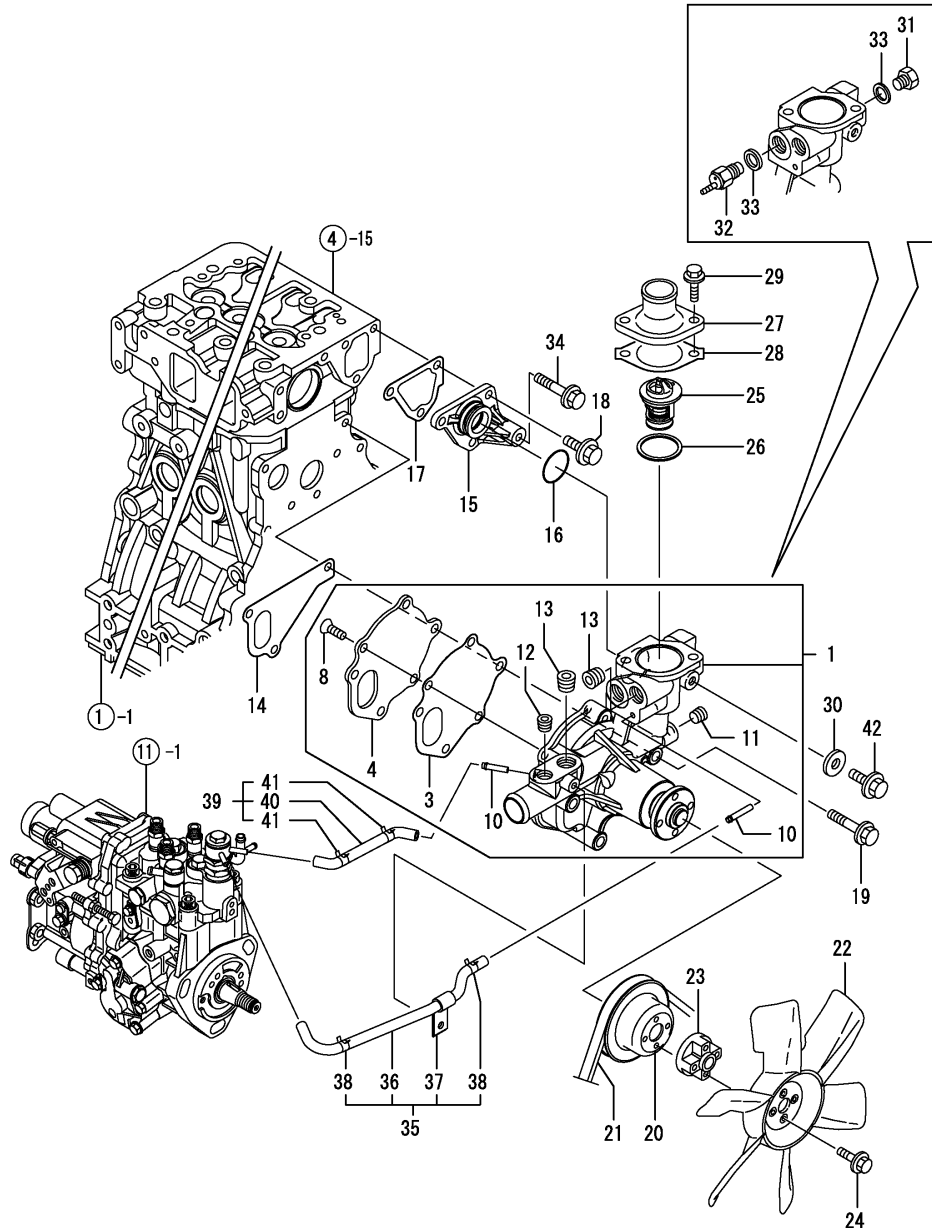
(B)=

(C)=

(D)=

(E)=

(F)=



REF.	LEV.	PARTS NO.	DESCRIPTION	QTY						I	R
				(A)	(B)	(C)	(D)	(E)	(F)		
1	1	129004-42001	PUMP ASSY, WATER	1							
3	2	129100-42051	GASKET, (NON-ASB.)	1							
4	2	129100-42121	PLATE	1							
8	2	121850-42410	SCREW	3							
10	2	119802-49113	JOINT	2							
11	2	23876-010000	PLUG PT1/8,SCREW	1							
12	2	23875-020000	PLUG PT1/4,STEEL	1							
13	2	129916-49740	PLUG, DRAIN R03	2							
14	1	129486-42021	GASKET	1							
15	1	129004-42040	JOINT	1							
16	1	129486-42140	O-RING,CW-P	1							
17	1	124395-49840	GASKET, THERMO. CASE	1							
18	1	26106-080162	BOLT M 8X 16 PLATED	3							
19	1	26106-080602	BOLT M 8X 60 PLATED	3							
20	1	129403-42380	V-PULLEY(D=110)	1							
21	1	119865-42290	V-BELT A36.5	1							
22	1	129354-44740	FAN, COOLING	1							
23	1	121267-44760	SPACER	1							
24	1	26106-060352	BOLT M 6X 35 PLATED	4							
25	1	129457-49801	THERMOSTAT(82	1							
26	1	129150-49811	GASKET, (NON-ASB.)	1							
27	1	129350-49530	COVER, THERMOSTAT	1							
28	1	129795-49551	GASKET, (NON-ASB.)	1							
29	1	26106-080222	BOLT M 8X 22 PLATED	2							
30	1	23414-080000	GASKET 8, ROUND	1							
31	1	121450-42450	PLUG M16	1							
32	1	121250-44901	SWITCH, THERMO(110 C	1							
33	1	124465-44950	GASKET 16	2							
34	1	26106-080452	BOLT M 8X 45 PLATED	1							
35	1	129004-49610	PIPE ASSY, A MP2	1							
36	2	129004-49711	PIPE ASSY, A MP2	1							
37	2	119802-49730	CLAMP,CW-T	1							
38	2	124722-59050	CLAMP 9	2							
39	1	129004-49620	PIPE ASSY, B MP2	1							
40	2	129004-49721	PIPE, WATER B MP2	1							
41	2	124722-59050	CLAMP 9	2							
42	1	26106-080122	BOLT M 8X 12 PLATED	1							

Fig.11.FUEL INJECTION PUMP

(A)=3TNV88-DCR

(B)=

(C)=

(D)=

(E)=

(F)=

REF.	LEV.	PARTS NO.	DESCRIPTION	QTY						I	R
				(A)	(B)	(C)	(D)	(E)	(F)		
1	1	729005-51310	FUEL INJECTION ASSY	1							
2	1	119802-51250	BRACKET, PUMP	1							
3	1	26106-080162	BOLT M 8X 16 PLATED	1							
4	1	26106-080202	BOLT M 8X 20 PLATED	1							

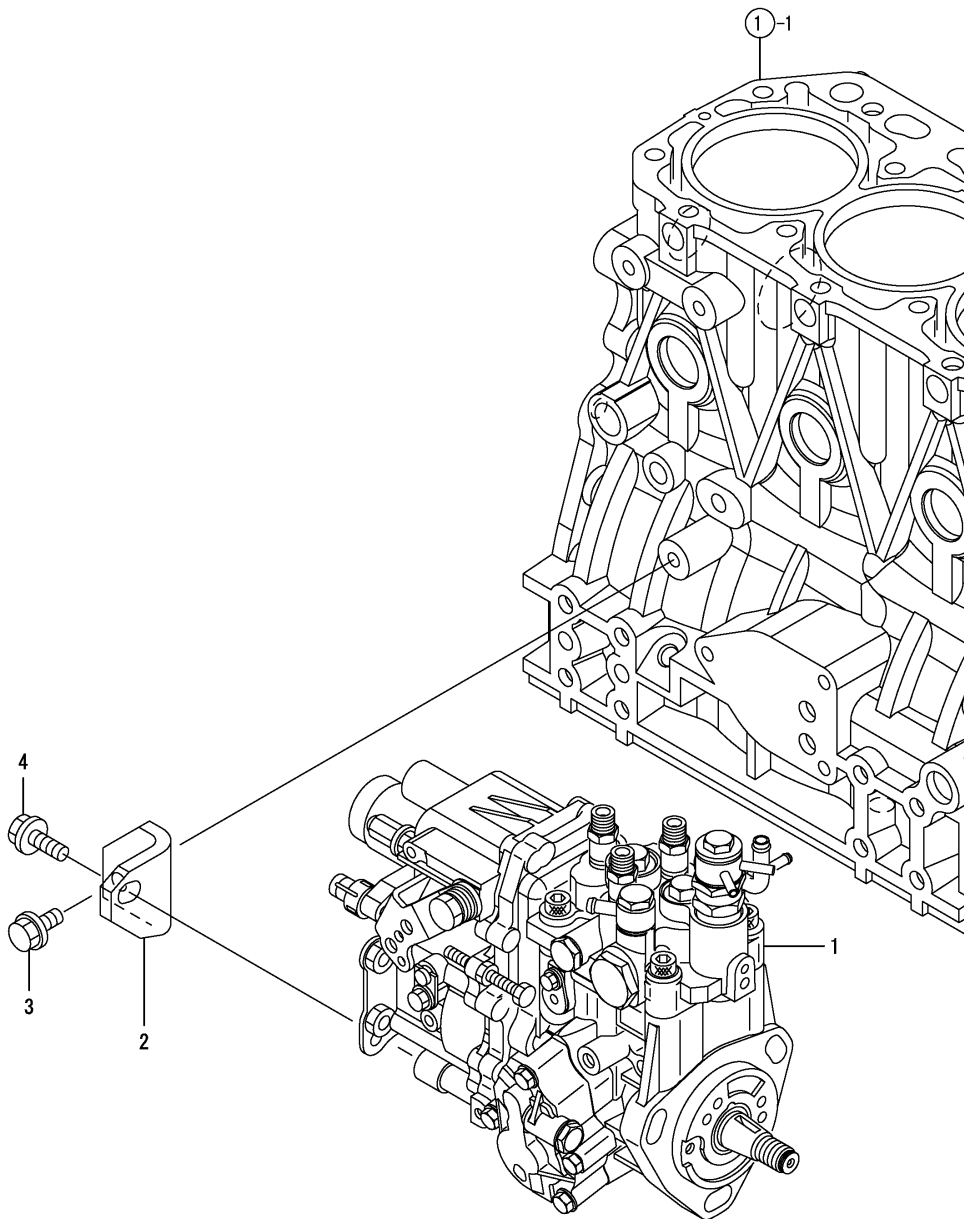


Fig.12.FUEL INJECTION VALVE

(A)=3TNV88-DCR

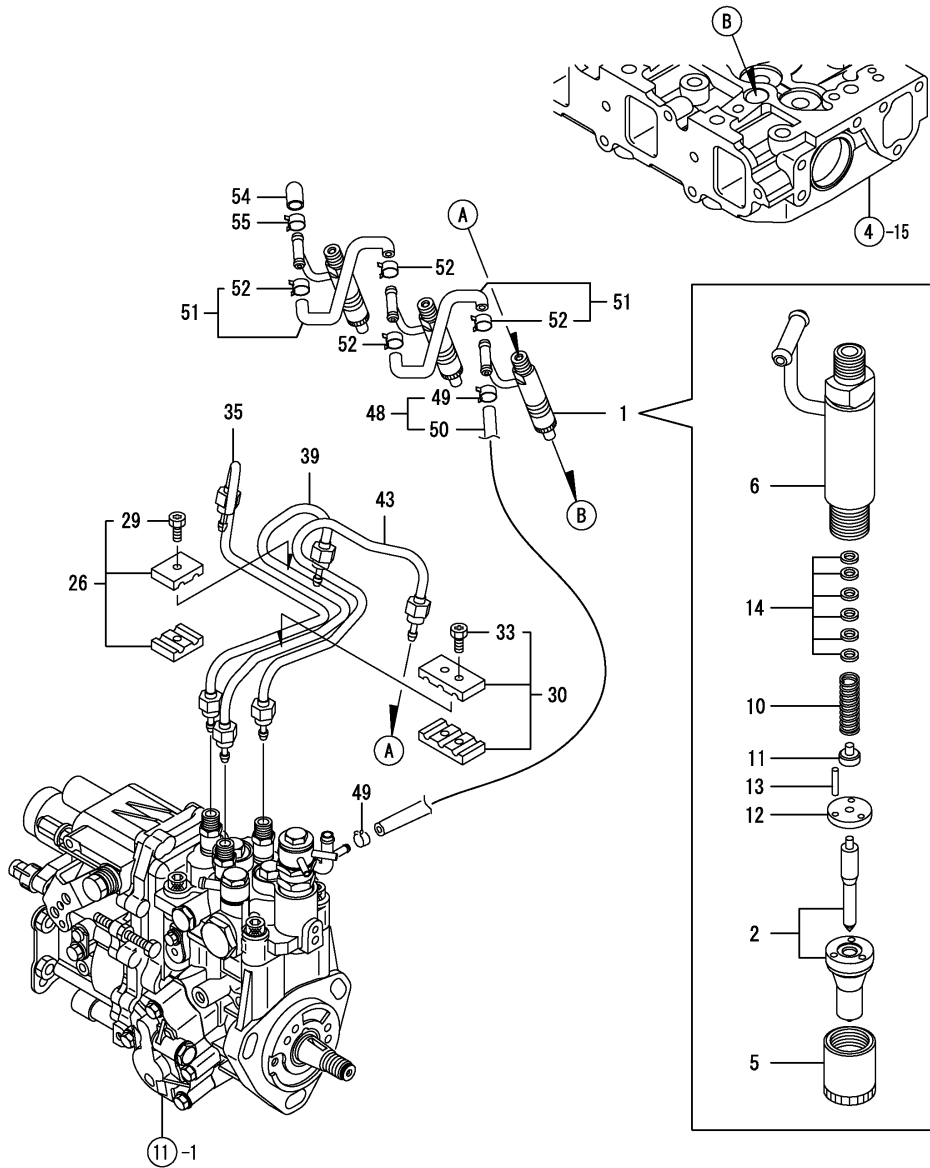
(B)=

(C)=

(D)=

(E)=

(F)=

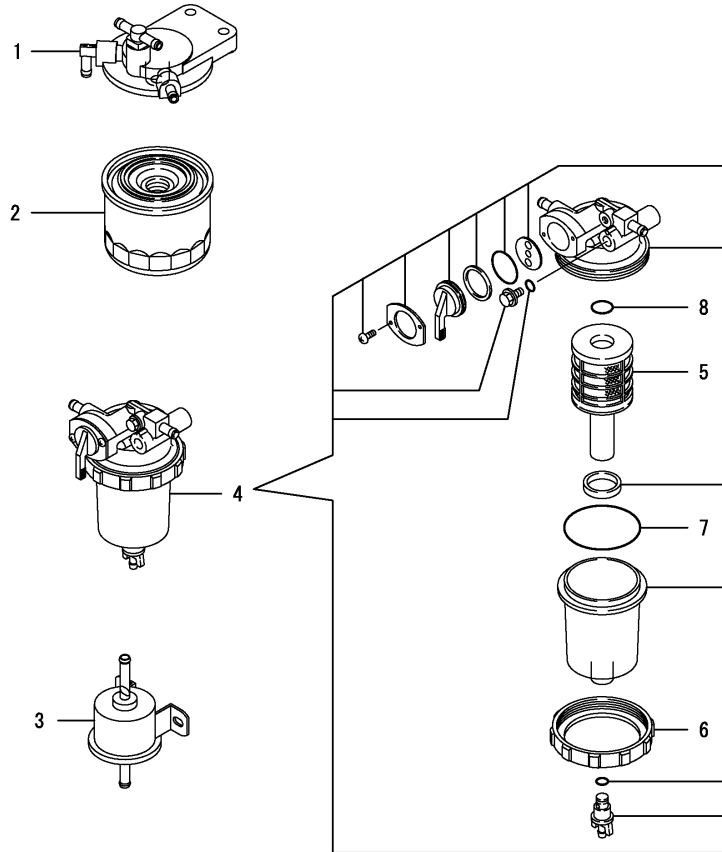


REF.	LEV.	PARTS NO.	DESCRIPTION	Q'TY						I	R
				(A)	(B)	(C)	(D)	(E)	(F)		
1	1	729004-53101	VALVE ASSY, F.INJECT	3							
2	2	129004-53001	NOZZLE CMP	3							
5	2	114250-53080	NUT, NOZZLE CASE	3							
6	2	119802-53100	HOLDER ASSY, NOZZLE	3							
10	2	114250-53120	SPRING, NOZZLE	3							
11	2	114250-53130	SEAT, NOZZLE SPRING	3							
12	2	114250-53140	PLATE, STOP	3							
13	2	114250-53210	PIN	6							
14	2	114250-53400	SHIM PACK	3							
26	1	119305-59120	RETAINER	1							
29	2	129150-59131	BOLT M4X14,HEX.SCKT.	1							
30	1	129150-59120	RETAINER, INJ. PIPE	1							
33	2	129150-59131	BOLT M4X14,HEX.SCKT.	2							
35	1	129004-59810	PIPE ASSY, INJECTION	1							
39	1	129004-59820	PIPE ASSY, INJECTION	1							
43	1	129004-59830	PIPE ASSY, INJECTION	1							
48	1	119802-59550	PIPE ASSY, RETURN	1							
49	2	124722-59050	CLAMP 9	2							
50	2	119802-59560	PIPE, FUEL RETURN	1							
51	1	129486-59551	PIPE, FUEL RETURN	2							
52	2	124722-59050	CLAMP 9	4							
54	1	119593-59580	CAP	1							
55	1	124060-77680	CLAMP 10	1							

Fig.13.FUEL LINE

(A)=3TNV88-DCR
(B)=
(C)=

(D)=
(E)=
(F)=



REF.	LEV.	PARTS NO.	DESCRIPTION	QTY						I	R
				(A)	(B)	(C)	(D)	(E)	(F)		
1	1	129004-55610	BRACKET, FILTER	1							
2	1	119802-55800	FILTER, FUEL	1							
3	1	119225-52102	PUMP ASSY, FUEL FEED	1							
4	1	119802-55700	SEPARATOR ASSY	1							
5	2	119802-55710	ELEMENT	1							
6	2	129100-55690	RING, RETAINING	1							
7	2	24321-000650	O-RING 1A G-65.0	1							
8	2	24311-000160	O-RING 1A P-16.0	1							

Fig.14.STARTING MOTOR

(A)=3TNV88-DCR

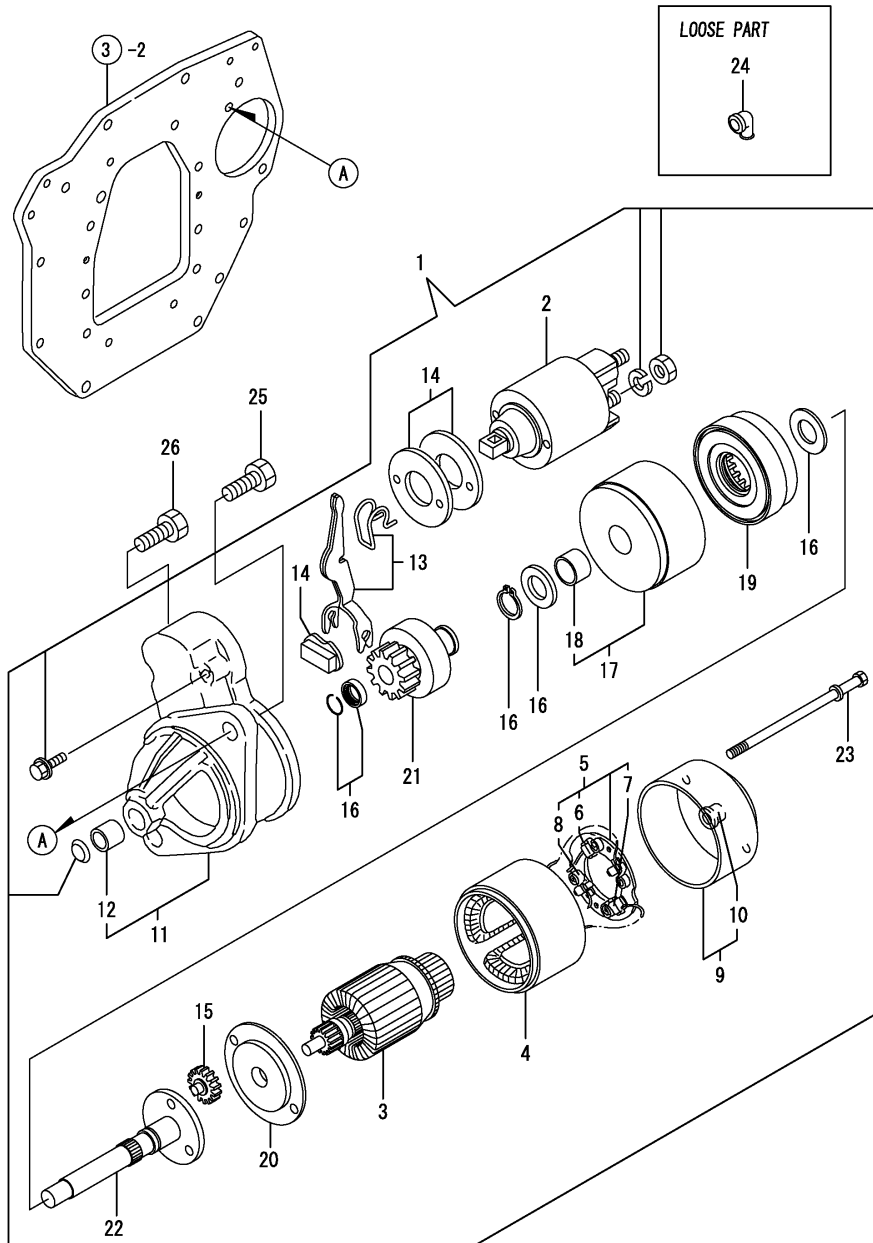
(B)=

(C)=

(D)=

(E)=

(F)=



REF.	LEV.	PARTS NO.	DESCRIPTION	QTY						I	R
				(A)	(B)	(C)	(D)	(E)	(F)		
1	1	129608-77010	STARTNG MOTOR	1							
2	2	129698-77020	MAGNETIC SWITCH ASSY	1							
3	2	129698-77101	ARMATURE ASSY	1							
4	2	129608-77110	YOKE ASSY	1							
5	2	129698-77120	HOLDER ASSY,BRUSH	1							
6	3	129698-77140	BRUSH(+) SET	1							
7	3	129698-77130	BRUSH (-)	2							
8	3	129698-77150	SPRING, BRUSH	4							
9	2	129698-77161	COVER ASSY, REAR	1							
10	3	129698-77170	REAR COVER METAL	1							
11	2	129698-77260	HOUSING ASSY, GEARS	1							
12	3	X2114535200	METAL, STARTER	1							
13	2	129698-77270	LEVER, SHIFT	1							
14	2	129698-77280	COVER ASSY, DUST	1							
15	2	129698-77240	GEAR	3							
16	2	129698-77250	WASHER SET	1							
17	2	129698-77180	BRACKET	1							
18	3	129698-77190	BRACKET	1							
19	2	129698-77200	INTERNAL GEAR	1							
20	2	129698-77210	BRACKET	1							
21	2	129698-77220	PINION ASSY	1							
22	2	129698-77230	SHAFT(PINION	1							
23	2	124195-77770	THROUGH BOLT	2							
24	1	124550-77030	COVER, TERMINAL	1							
25	1	129155-77060	BOLT, STARTER	1							
26	1	26116-120202	BOLT M12X 20 PLATED	1							

Fig.15.GENERATOR

(A)=3TNV88-DCR

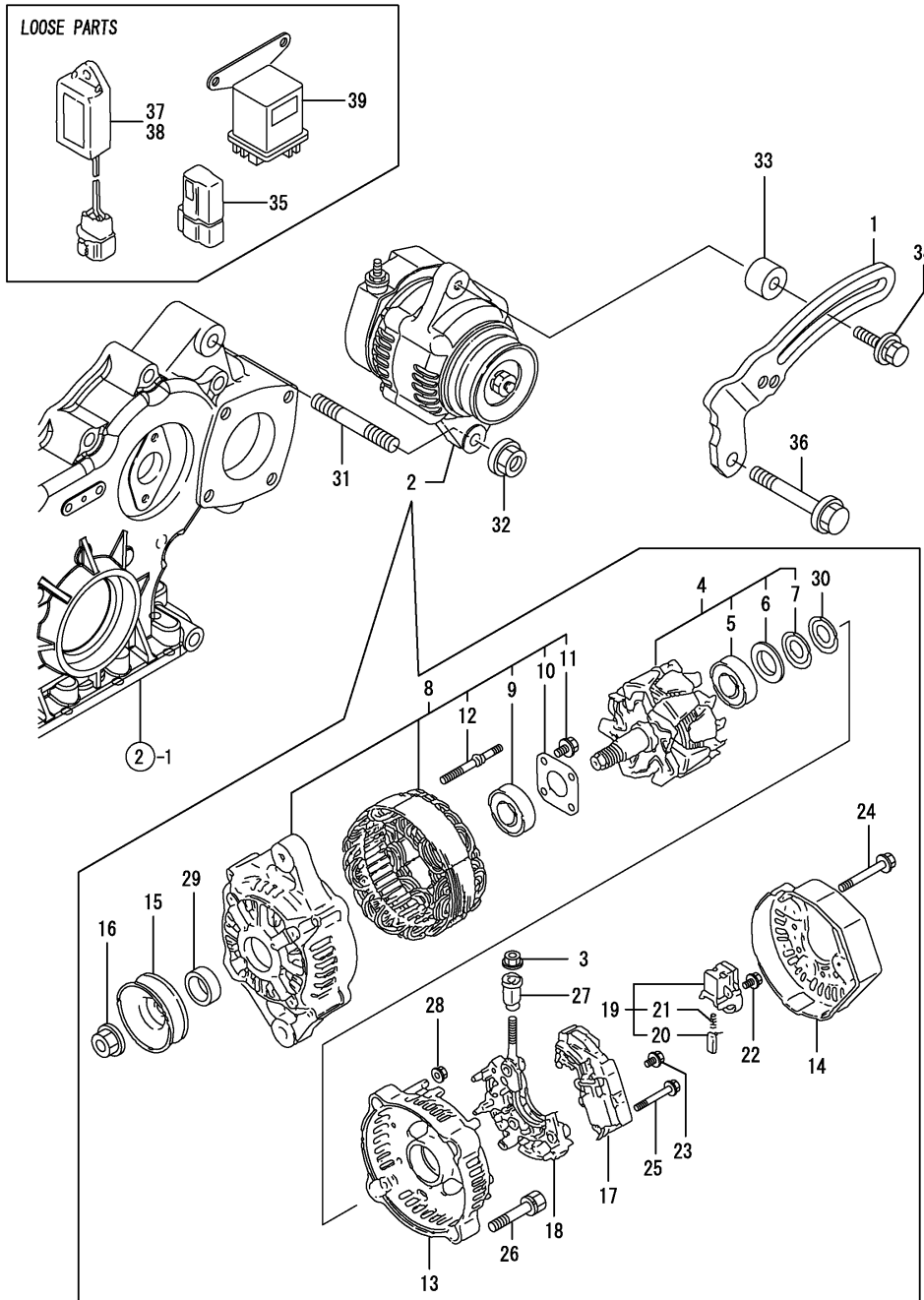
(B)=

(C)=

(D)=

(E)=

(F)=



REF.	LEV.	PARTS NO.	DESCRIPTION	QTY						I	R
				(A)	(B)	(C)	(D)	(E)	(F)		
1	1	129064-77330	ADJUSTER,BELT	1							
2	1	129423-77200	GENERATOR	1							
3	2	X9490561001	NUT	1							
4	2	119620-77380	ROTOR ASSY	1							
5	3	119620-79240	BALL BEARING	1							
6	3	119620-79250	COVER, BEARING	1							
7	3	119620-79360	THRUST WASHER	1							
8	2	119620-77421	FLAME ASSY, DRIVE	1							
9	3	119620-79200	BALL BEARING	1							
10	3	119620-79210	PLATE	1							
11	3	119620-79220	SCREW	4							
12	3	119620-79230	BOLT, STUD	2							
13	2	119620-77440	FLAME ASSY, REAR	1							
14	2	129240-79300	COVER	1							
15	2	119620-77461	PULLEY	1							
16	2	119620-77471	NUT	1							
17	2	129423-77710	REGULATOR ASSY	1							
18	2	119620-79260	HOLDER	1							
19	2	119620-79270	HOLDER, BRUSH	1							
20	3	119620-77480	BRUSH ASSY	2							
21	3	119620-79280	SPRING	2							
22	2	119620-79290	SCREW	1							
23	2	119620-79300	SCREW	1							
24	2	119620-79310	BOLT	3							
25	2	119620-79320	SCREW W/WASHER	2							
26	2	119620-79330	BOLT	2							
27	2	119620-79340	INSULATION BUSH	1							
28	2	119620-79350	NUT	2							
29	2	119620-77490	COLLAR	1							
30	2	119620-79360	THRUST WASHER	1							
31	1	129795-01900	STUD	1							
32	1	26306-100002	NUT	1							
33	1	129067-77340	SPACER	1							
34	1	26014-080452	BOLT M 8X 45	1							
35	1	119643-66900	DIODE	1							
36	1	26106-080502	BOLT M 8X 50 PLATED	1							
37	1	128300-77920	TIMER	1							
38	1	129211-77920	TIMER	1							
39	1	119650-77910	RELAY, GROW	1							

Fig.16.GASKET SET

(A)=3TNV88-DCR

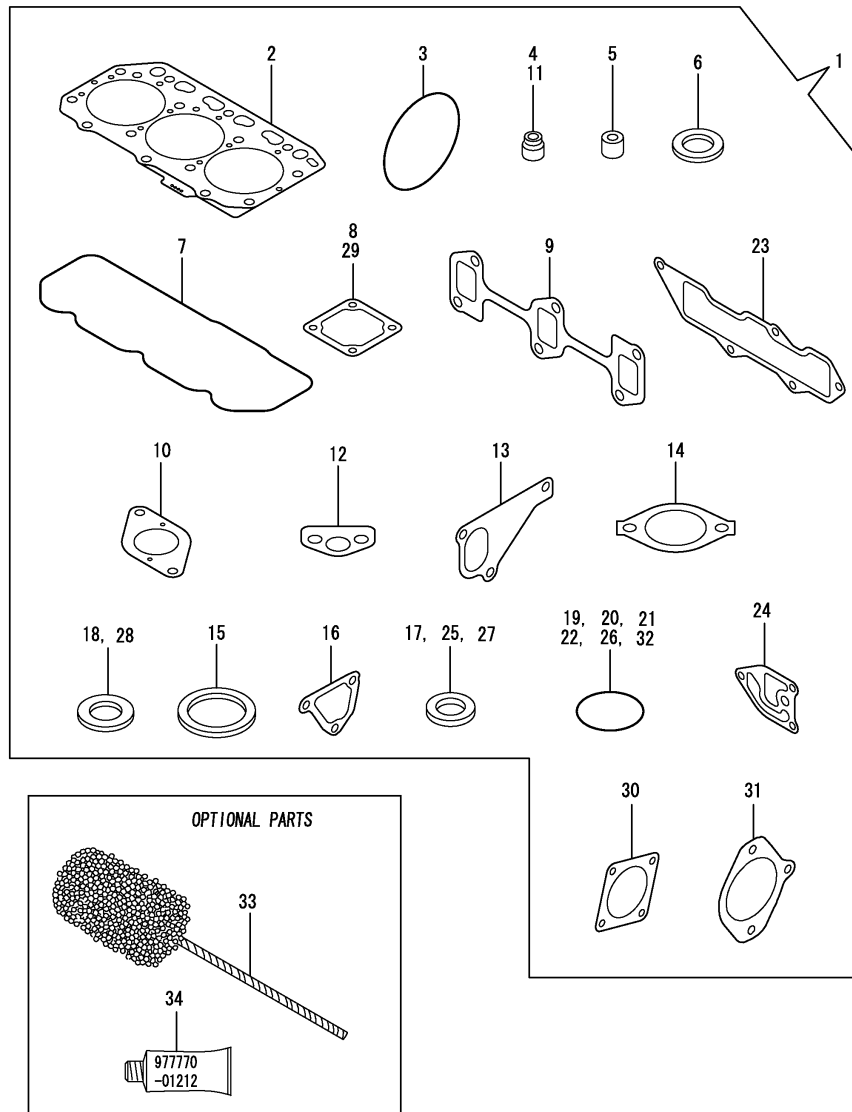
(B)=

(C)=

(D)=

(E)=

(F)=



REF.	LEV.	PARTS NO.	DESCRIPTION	QTY						I	R
				(A)	(B)	(C)	(D)	(E)	(F)		
1	1	729001-92820	GASKET SET(NON-ASB.)	1							1
2	2	129001-01340	GASKET, (NON-ASB.)	1							
3	2	121850-51960	O-RING, F.I.PUMP	1							
4	2	124460-11340	SEAL, VALVE STEM	3							
5	2	119802-11870	PROTECTOR, NOZZLE	3							
6	2	119625-11880	SEAT, NOZZLE	3							
7	2	129004-11310	GASKET, BONNET	1							
8	2	129150-77511	GASKET, (NON-ASB.)	1							
9	2	129150-13110	GASKET, EXH.MANIFOLD	1							
10	2	129107-13540	PACKING,SILENCER GSK	1							
11	2	121400-11340	SEAL, VALVE STEM	3							
12	2	129150-35041	GASKET, (NON-ASB.)	1							
13	2	129486-42021	GASKET	1							
14	2	129795-49551	GASKET, (NON-ASB.)	1							
15	2	129150-49811	GASKET, (NON-ASB.)	1							
16	2	124395-49840	GASKET, THERMO. CASE	1							
17	2	22190-080002	SEAL WASHER 8S	2							
18	2	124465-44950	GASKET 16	2							
19	2	24311-000120	O-RING 1A P 12.0	3							
20	2	24311-000320	O-RING 1A P-32.0	2							
21	2	24341-000240	O-RING 1A S-24.0	1							
22	2	129486-42140	O-RING,CW-P	1							
23	2	129001-12110	GASKET,INT. MANIFOLD	1							
24	2	129103-35122	GASKET, (NON-ASB.)	1							
25	2	22190-160002	SEAL WASHER 16S	1							
26	2	119609-32040	O-RING P16	4							
27	2	22190-100002	SEAL WASHER 10S	2							
28	2	23414-080000	GASKET 8, ROUND	1							
29	2	129100-77510	GASKET, AIR HEATER	1							
30	2	124240-01883	GASKET, (NON-ASB.)	1							
31	2	171353-26081	GASKET,HO-P BRACKET	1							
32	2	24321-000850	O-RING 1A G-85.0	1							
33	1	129400-92430	HORN, FLEX	1							1
34	1	977770-01212	GASKET, LIQUID	1							1

Remarks
 (1) OPTIONAL PART.