



PARTS LIST

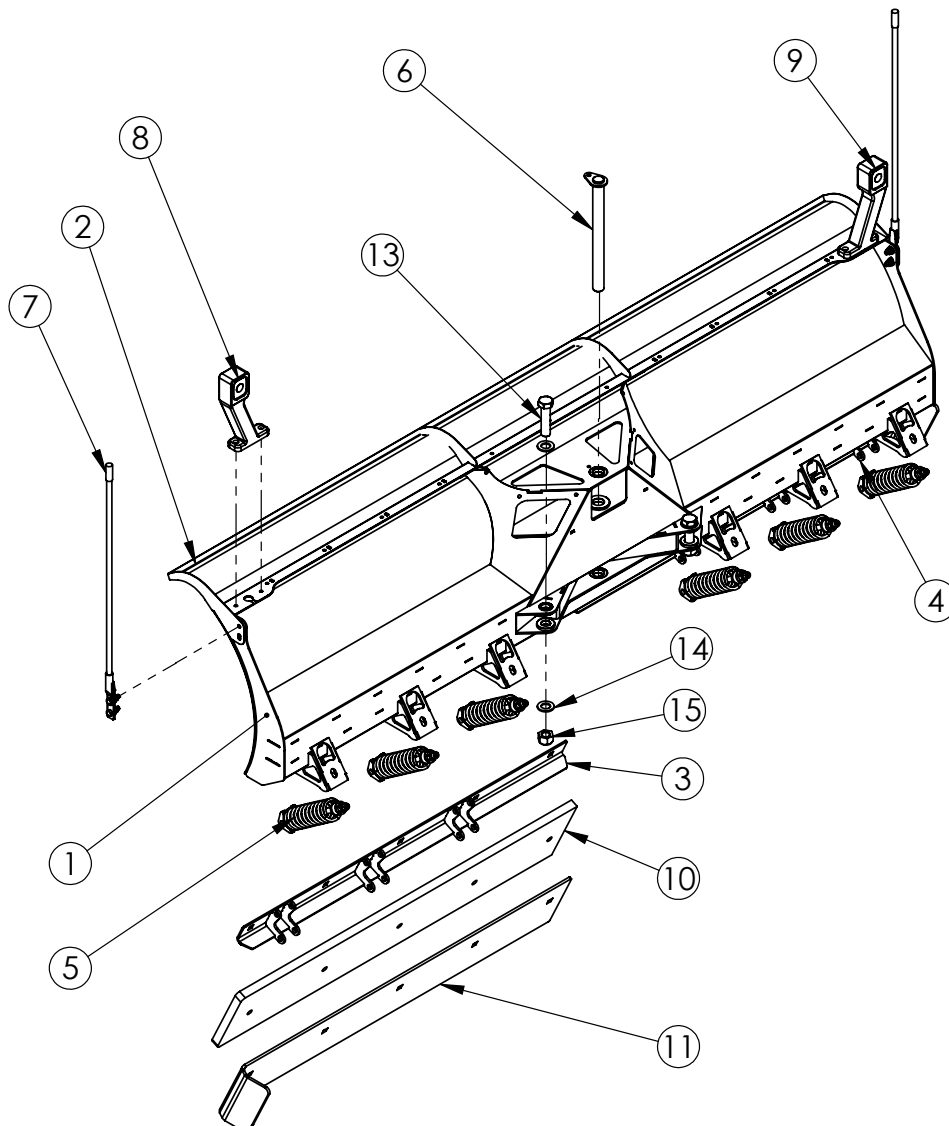
STRAIGHT-BLADE & V-PLOW FOR TRACTORS AND COMPACT LOADERS

SNOWPLOW ASSEMBLY: STRAIGHT-BLADE.....	2
SNOWPLOW ASSEMBLY: V-PLOW.....	3
PLOW SHOE ASSEMBLY.....	4
SPRING PRE-ASSEMBLY.....	5
A-FRAME ASSEMBLY: STRAIGHT-BLADE).....	6
A-FRAME ASSEMBLY (SHOCKVALVE): V-PLOW.....	7
A-FRAME ASSEMBLY (6/2 VALVE): V-PLOW.....	8
A-FRAME ASSEMBLY (6/2 VALVE WITH ACCUMULATOR): V-PLOW.....	9
LOADER ADAPTER.....	10

STRAIGHT-BLADE SNOWPLOW ASSEMBLY

*ssm = see specific model

Item	Qty	Part no.	1650-STR	1850-STR	2100-STR	2250-STR	2400-STR	Description	
1	1	ssm*	H25167	H25042	H25154	H24723	H25193	Welded blade	
2	1	ssm*	H25284	H25286	H25288	H24753	H25290	Snowdeflector welded	
3	1	ssm*	H25172	H25047	H25160	H24736	H25199	Scraper bracket Left	
4	1	ssm*	H25174	H25049	H25162	H24738	H25201	Scraper bracket Right	
5	ssm*	H23302	6	6	6	6	8	Spring preassembly	
6	1	H24757							Center pin
7	2	H25965							Plow blade marker with bolts
8	1	H22468							Led left side position light
9	1	H22467							Led right side position light
10	2	ssm*	H27019	H27020	H27021	H27022	H25205	Polyurethane cutting edge	
11	1	ssm*	H25176	H25051	H25164	H24740	H25203	Steel cutting edge left	
-	1	ssm*	H25191	H25052	H25165	H24741	H25204	Steel cutting edge right	
12	1	H25165							Steel scraper
13	2	HF12510							M20x80 DIN 931 8.8 Zn
14	4	HF15134							Washer DIN 125 M20 Zn
15	2	HF15078							Lock nut DIN985 8.8 Zn M20

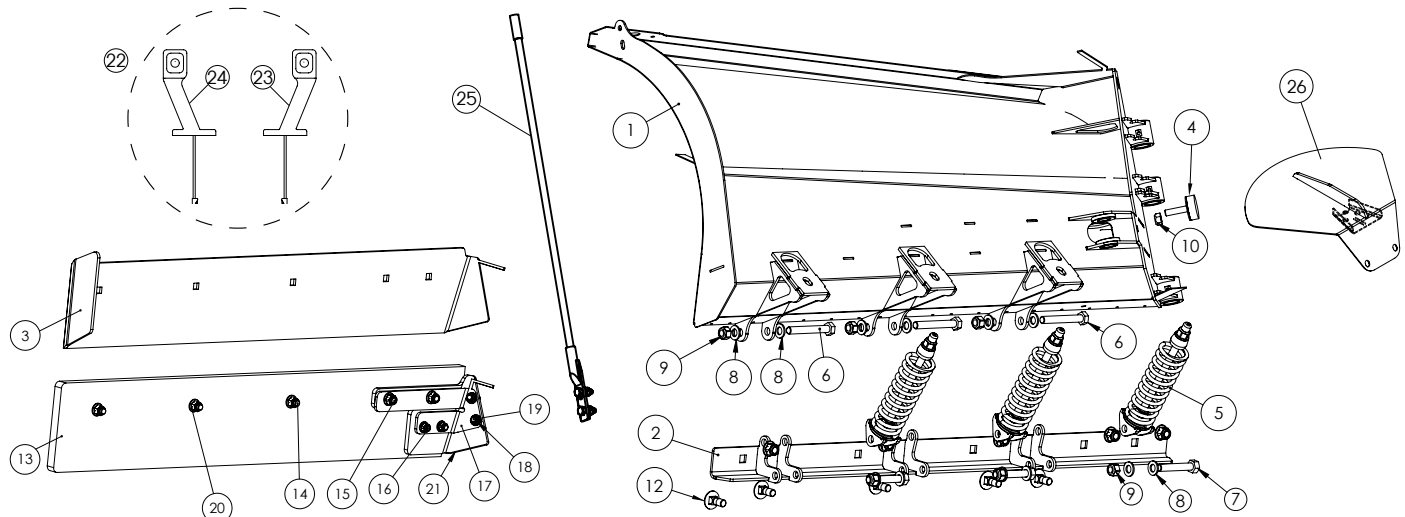


V-LOW

SNOWPLOW ASSEMBLY

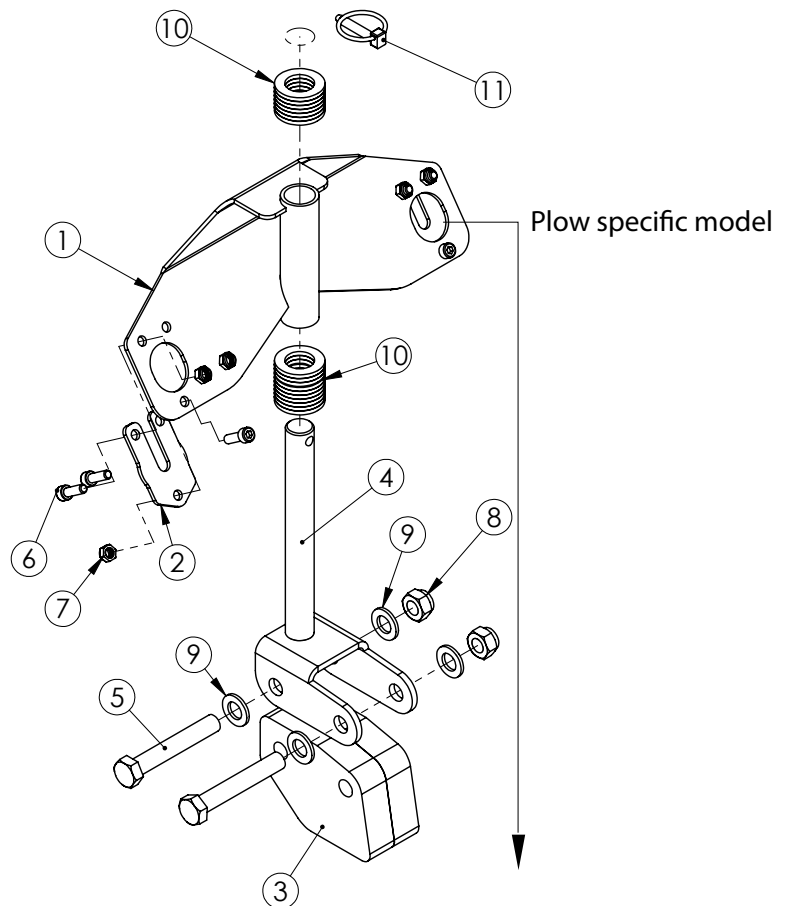
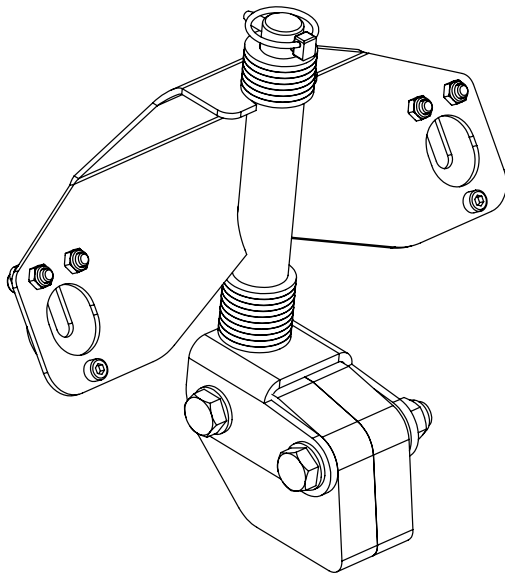
*ssm = see specific model

Item	Qty	Part no.	Side	1850-VTR	2100-VTR	2250-VTR	2400-VTR	Description
1	1		Left	H24904	H24470	H23313	H24922	Plow wing, left
	1		Right	H24911	H24476	H23327	H24929	Plow wing, right
2	1		Left	H24914	H24479	H23308	H24932	Scraper bracket, left
	1		Right	H24916	H24480	H23311	H24934	Scraper bracket, right
3	1		Left	H24918	H24483	H23362	H24936	Scraper, left
	1		Right	H24919	H24484	H23363	H24937	Scraper, right
4	2	H23783						Vibration damper
5	ssm*	H23302			6pcs		8pcs	Spring preassembly
6	ssm*	HF12436			6pcs		8pcs	Bolt M12x85 8.8 DIN931 ZN
7	ssm*	HF12433			6pcs		8pcs	Bolt M12x70 8.8 DIN931 ZN
8	ssm*	HF15128			24pcs		32pcs	Washer DIN 125 M12
9	ssm*	HF15068			12pcs		16pcs	Lock nut DIN 985/8 M12
10	2	HF15370						M10 flanged nylock
11	ssm*	HF15371			10pcs		12pcs	Flanged Nylock M12 8.8 Zn
12	ssm*	HF13740			10pcs		12pcs	Lockbolt M12x30 8.8 Zn
13	1		Left	H25281	H23383	H24385	H25282	Polyuretane edge kit
	1		Right	H25281	H23383	H24385	H25282	Polyuretane edge kit
14	ssm*	HF12675			6pcs		8pcs	Lockbolt M12
15	4	HF12431						10x55
16	4	HF19351						10x55
17	1		Left			H24388		Center bracket
	1		Right			H24389		Center bracket
18	8	HF15370						M10 flanged nylock
19	4	HF13734						Lockbolt M10
20	ssm*	HF15371			10pcs		12pcs	Lockbolt M12
21	1		Left			H24387		Center edge
	1		Right			H24387		Center edge
22	1	H24420						Position Light kit
23	1	H24421	Left					Side position lamp assembly left side
24	1	H24422	Right					Side position lamp assembly right side
25	1	H25967						Plow markers with bolts (kit with 2pcs)
26	1	H23650						Center snow deflector



STRAIGHT-BLADE & V-PLOW PLOW SHOE ASSEMBLY

Item	Qty	Part no.	Description
1	1	See table below	
2	2	H25134	PLATE
3	2	H25138	Wear shoe
4	1	H25135	Shoe bracket
5	2	HF12453	Bolt M16x100 DIN 931 8.8 ZN
6	6	HF12189	Bolt DIN 912 8.8Zn M8x25
7	6	HF15100	Lock nut DIN985 ZN M8
8	2	HF15074	Lock nut DIN985 ZN M16
9	4	HF15130	DIN 125 M16 ZN
10	17	HF15475	Washer DIN 126 M24
11	1	H25381	Linch pin 8mm



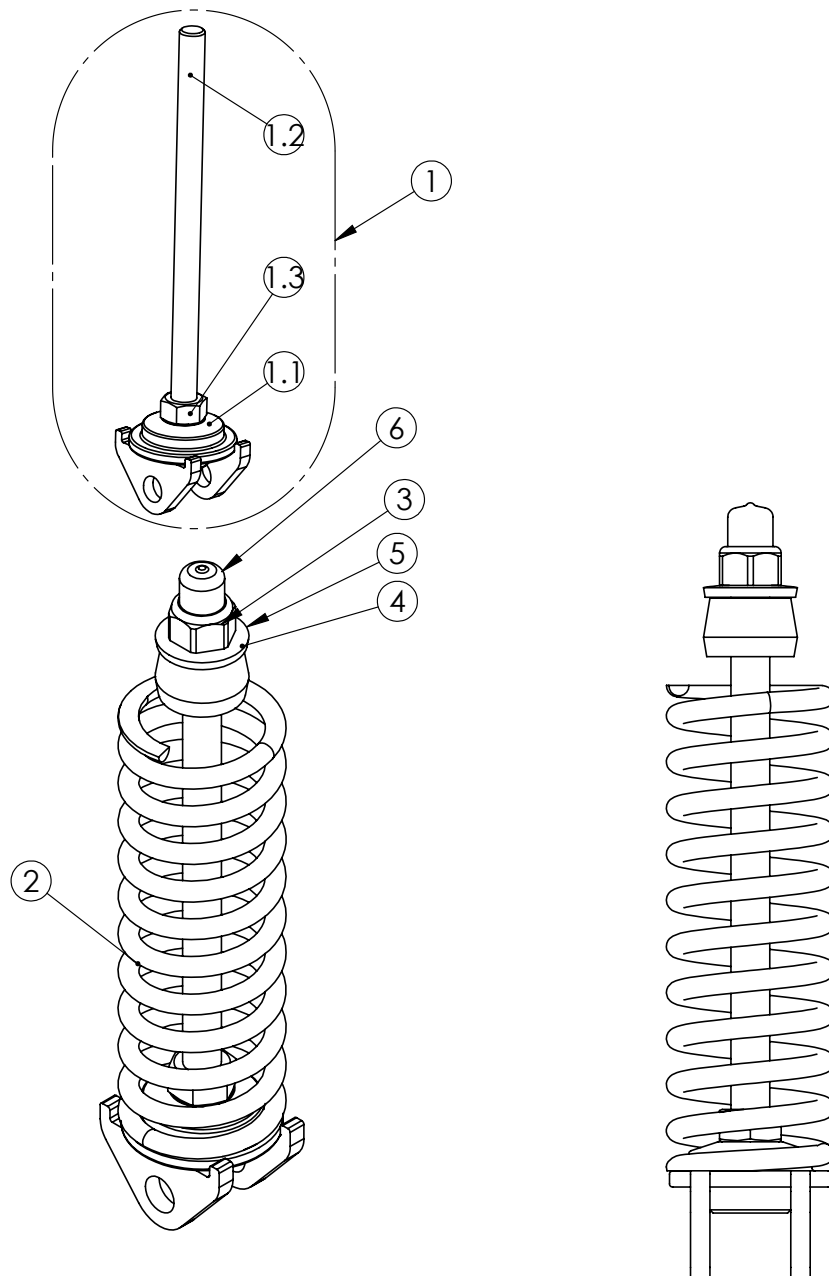
Plow model	Kit no.	Including
1650-STR/VTR	H26075	parts 1-11
1850-STR/VTR	H26076	parts 1-11
2100-STR/VTR	H26077	parts 1-11
2250-STR/VTR	H26078	parts 1-11
2400-STR/VTR	H26079	parts 1-11

Plow model	Item	Part no.	Description
1650-STR/VTR	1	H25341	bracket
1850-STR/VTR	1	H25343	bracket
2100-STR/VTR	1	H25345	bracket
2250-STR/VTR	1	H25131	bracket
2400-STR/VTR	1	H25347	bracket

STRAIGHT-BLADE & V-PLOW

SPRING PRE-ASSEMBLY - H23302

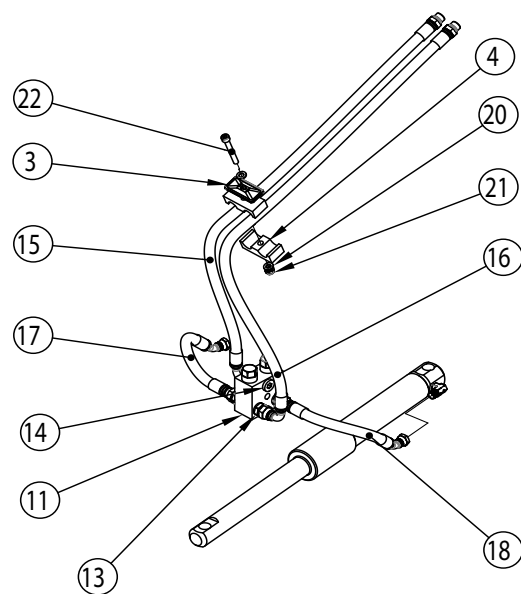
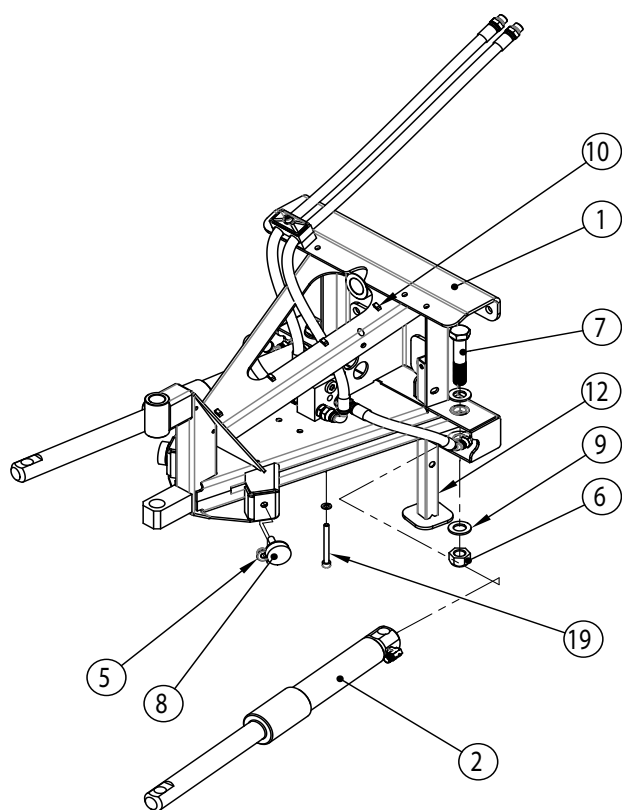
Item	Qty	Part no.	Description	Note
1	1	H24721	Spring bracket preassembled	
1.1	1	H23304	Spring bracket	
1.2	1	H23307	Pin	
1.3	1	HF15458	HEXAGON NUT DIN934 M12 8.8 HZn	
2	1	H23303	Compression spring 6,5x52x175	
	1	H29979	Heavy Duty Spring 7x53x175	Optional
3	1	HF15068	Lock nut DIN 985/8 M12	
4	1	H23782	rubber dampener	
5	1	HF15392	Washer DIN6796 Zn M12	
6	1	H25206	Cap Flexi 11,1x12,7	



STRAIGHT-BLADE

A-FRAME ASSEMBLY

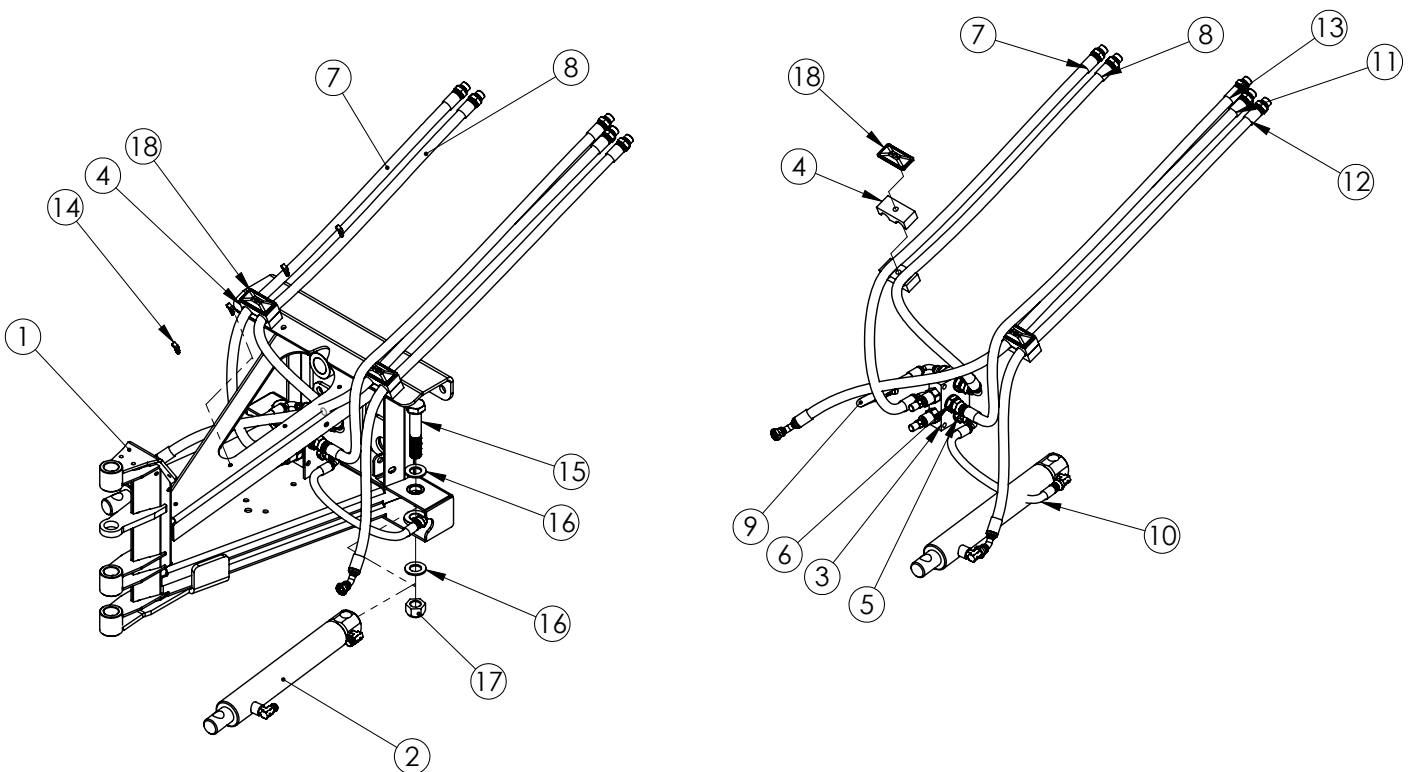
Item	Qty	Part no.	Description
1	1	H24987	A Frame STR
2	2	H24945	Angle cylinder
3	1	HH13460	Pipe bracket plate 3
4	2	HH13315	Pipe bracket 20mm
5	2	HF14926	Nut DIN 6923 m10x1,5 Zn 8
6	2	HF15078	Lock nut DIN985 8.8 Zn M20
7	2	HF12488	DIN 931/8.8ZN M20x100
8	2	H23783	Vibration damper
9	4	HF15134	Washer DIN 125 M20 ZN
10	4	H24417	Strap Mount
11	1	H27534	Shock Valve
12	1	H25064	Legstand
13	4	HH14441	Straight adapter
14	1	HH14911	In Hex plug
15	1	H25375	Vehicle side P-line hose complete
16	1	H25376	Vehicle side P-line hose complete
17	1	H27537	STR Right
18	1	H27538	STR Left
19	2	HF12200	DIN 912 8.8Zn M8x80
20	4	HF15149	Washer DIN 125 M8 ZN
21	1	HF15100	Lock nut DIN985 8,8Zn M8
22	1	HF12197	DIN 912 8.8Zn M8x65



V-PLOW

A-FRAME ASSEMBLY (SHOCKVALVE)

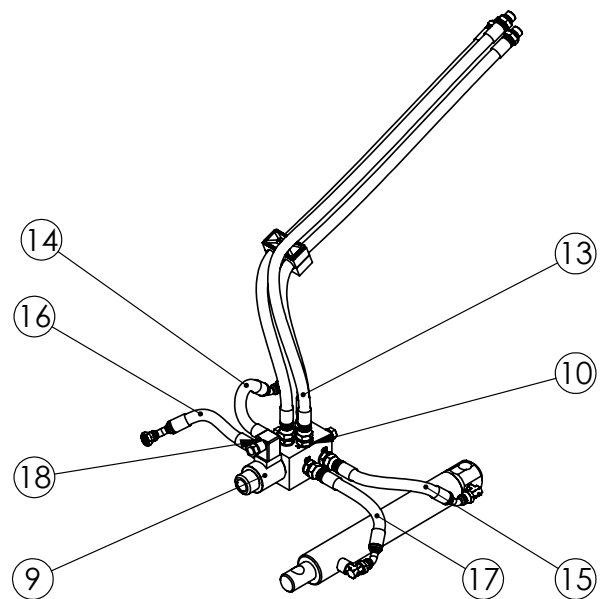
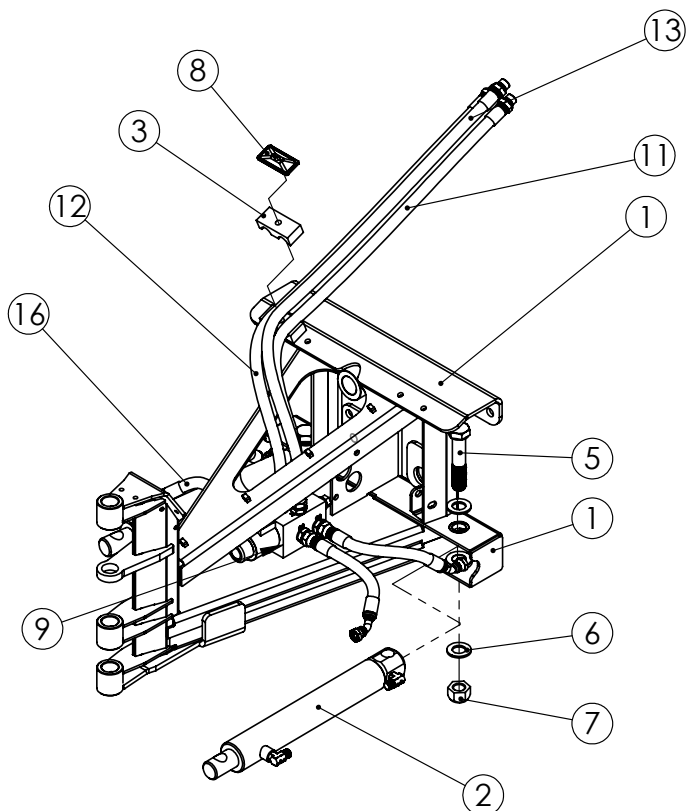
Item	Qty	Part no.	Description
1	1	H24795	A Frame VTR
2	2	H23290	Angle cylinder
3	1	H25647	SnowStriker VTR/STR Shock valve
4	4	HH13315	Pipe bracket 20mm
5	2	HH14437	Straight adapter 1/4"-1/2"
6	3	HH14442	Male reducer 3/8-1/2
7	1	H27417	Vehicle side P-line hose complete
8	1	H27418	Vehicle side P-line hose complete
9	1	H25376	P-line hydraulic hose complete
10	1	H25375	P-line hydraulic hose complete
11	1	H27452	Hydraulic hose
12	1	H27453	Hydraulic hose
13	1	H27454	Vehicle side T-line hose complete
14	4	H24417	Strap Mount
15	2	HF12488	DIN 931/8.8ZN M20x100
16	4	HF15134	Washer DIN 125 M20 ZN
17	2	HF15078	Lock nut DIN985 8.8 Zn M20
18	2	HH13460	Pipe bracket plate 3



V-LOW

A-FRAME ASSEMBLY (6/2 VALVE)

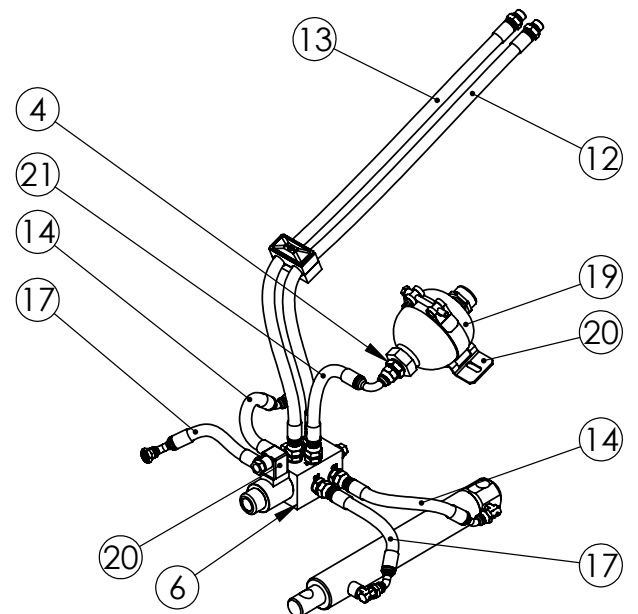
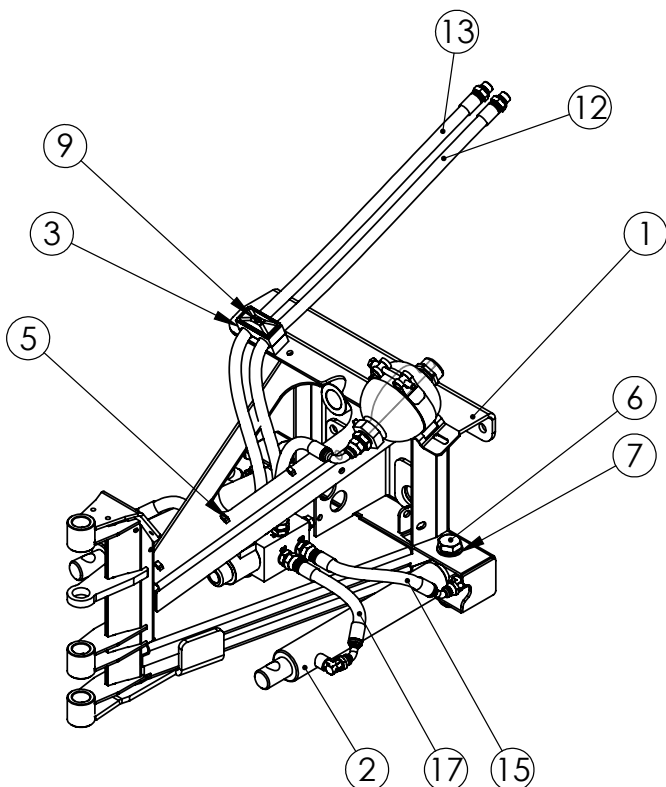
Item	Qty	Part no.	Description
1	1	H24795	A Frame VTR
2	2	H23290	Angle cylinder
3	2	HH13315	Pipe bracket 20mm
4	4	H24417	Strap Mount
5	2	HF12488	DIN 931/8.8ZN M20x100
6	4	HF15134	Washer DIN 125 M20 ZN
7	2	HF15078	Lock nut DIN985 8.8 Zn M20
8	1	HH13460	Pipe bracket plate 3
9	1	H27456	6/2 Electric valve
10	7	HH14441	Straight adapter
11	1	H27457	Hydraulic hose
12	1	H27458	Hydraulic hose
13	1	H27459	Hydraulic hose
14	1	H27460	Hydraulic hose
15	1	H27461	Hydraulic hose
16	1	H27462	Hydraulic hose
17	1	H27463	Hydraulic hose </td
18	1	H23445	Connector



V-PLOW

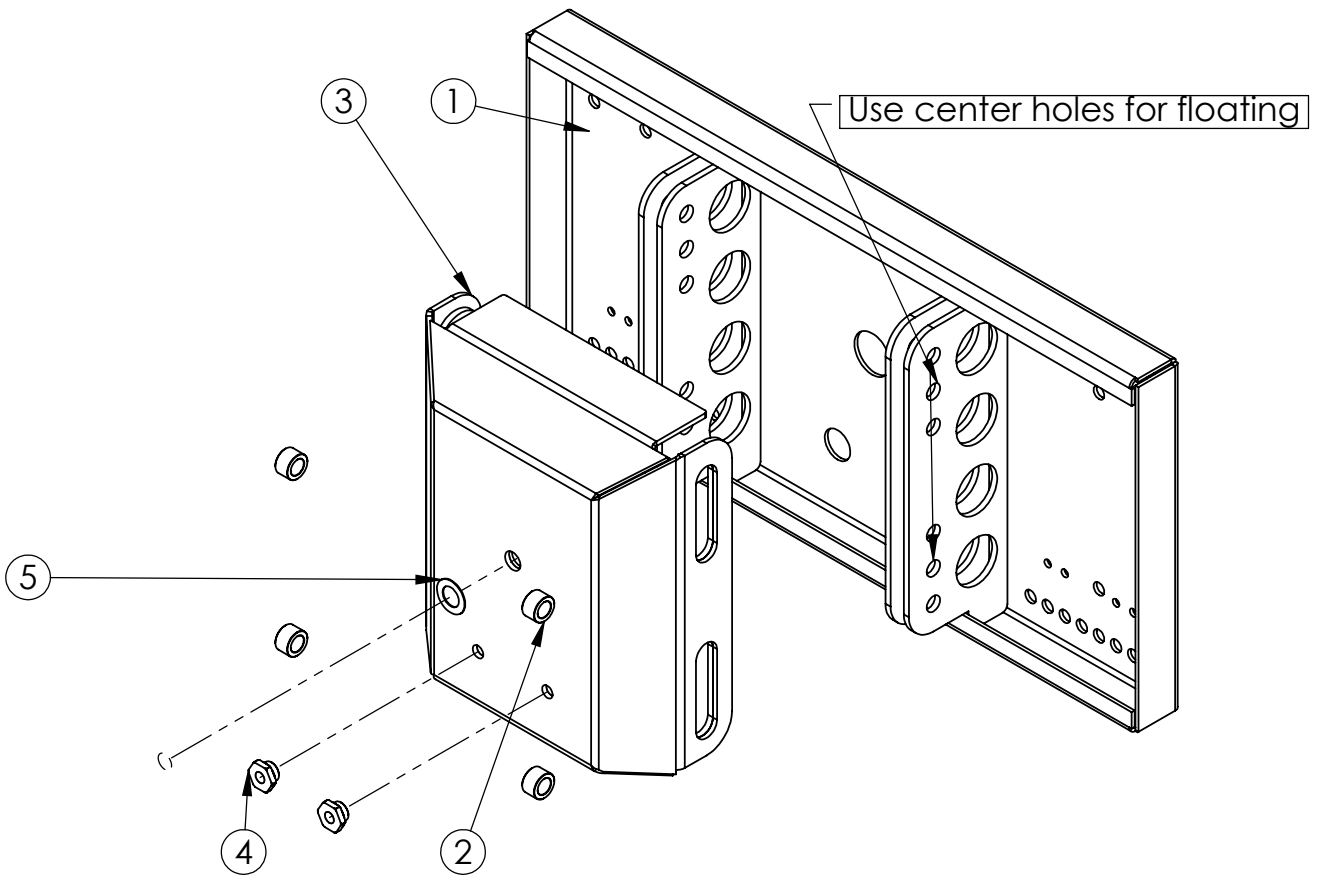
A-FRAME ASSEMBLY (6/2 VALVE WITH ACCUMULATOR)

Item	Qty	Part no.	Description
1	1	H24795	A Frame VTR
2	2	H23290	Angle cylinder
3	2	HH13315	Pipe bracket 20mm
4	1	HH14442	Male reducer 3/8-1/2
5	4	H24417	Strap Mount
6	2	HF12488	DIN 931/8.8ZN M20x100
7	4	HF15134	Washer DIN 125 M20 ZN
8	2	HF15078	Lock nut DIN985 8.8 Zn M20
9	1	HH13460	Pipe bracket plate 3
10	1	H27456	6/2 Electric valve
11	7	HH14441	Straight adapter
12	1	H27457	Hydraulic hose
13	1	H27458	Hydraulic hose
14	1	H27460	Hydraulic hose
15	1	H27461	Hydraulic hose
16	1	H27462	Hydraulic hose
17	1	H27463	Hydraulic hose
18	1	H23445	Connector
19	1	H27419	Pressure accumulator 0,5L
20	1	H27455	Clamp 99-109mm
21	1	H27464	Hydraulic hose



V-PLOW & STRAIGHT BLADE
LOADER ADAPTER

Item	Qty	Part no.	Description
1	1	H20959	Frame
2	4	H20013	Bush
3	1	H20962	Bracket
4	2	H20528	Nut
5	1	H23092	Axial Bushing 32/55-1.5





Oy HillTip Ab
Pukkisaarentie 6
68600 Pietarsaari
Finland

+358 50 5983 026
+358 50 3659 415

www.hilltip.com
info@hilltip.com