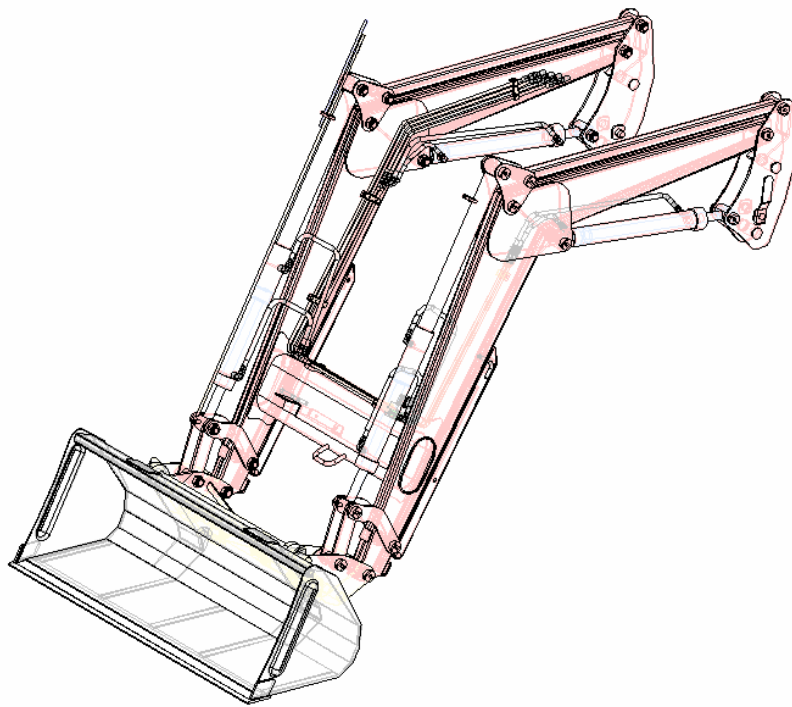


TAE SUNG

KL1930 Front End Loader



SELF LEVELING TYPE

Parts Catalogue

CONTENTS

I . FRONT LOADER

1. MAIN FRAME ASSEMBLY

Self Leveling Device	-----	1010
----------------------	-------	------

2. HYDRAULIC SYSTEM

Standard System	-----	2010
-----------------	-------	------

Soft Drive System	-----	2110
-------------------	-------	------

Auxiliary Valve System	-----	2210
------------------------	-------	------

Soft Drive & Auxiliary Valve System	-----	2310
-------------------------------------	-------	------

3. QUICK ATTACHMENT

Euro System	-----	3010
-------------	-------	------

4. BUCKET

Earth Bucket	-----	4010
--------------	-------	------

Earth Bucket-Quick Atta.	-----	4110
--------------------------	-------	------

Lute Bucket-Quick Atta.	-----	4210
-------------------------	-------	------

9. CYLINDER

Boom Cylinder	-----	9010
---------------	-------	------

Bucket Cylinder-Self Leveling	-----	9110
-------------------------------	-------	------

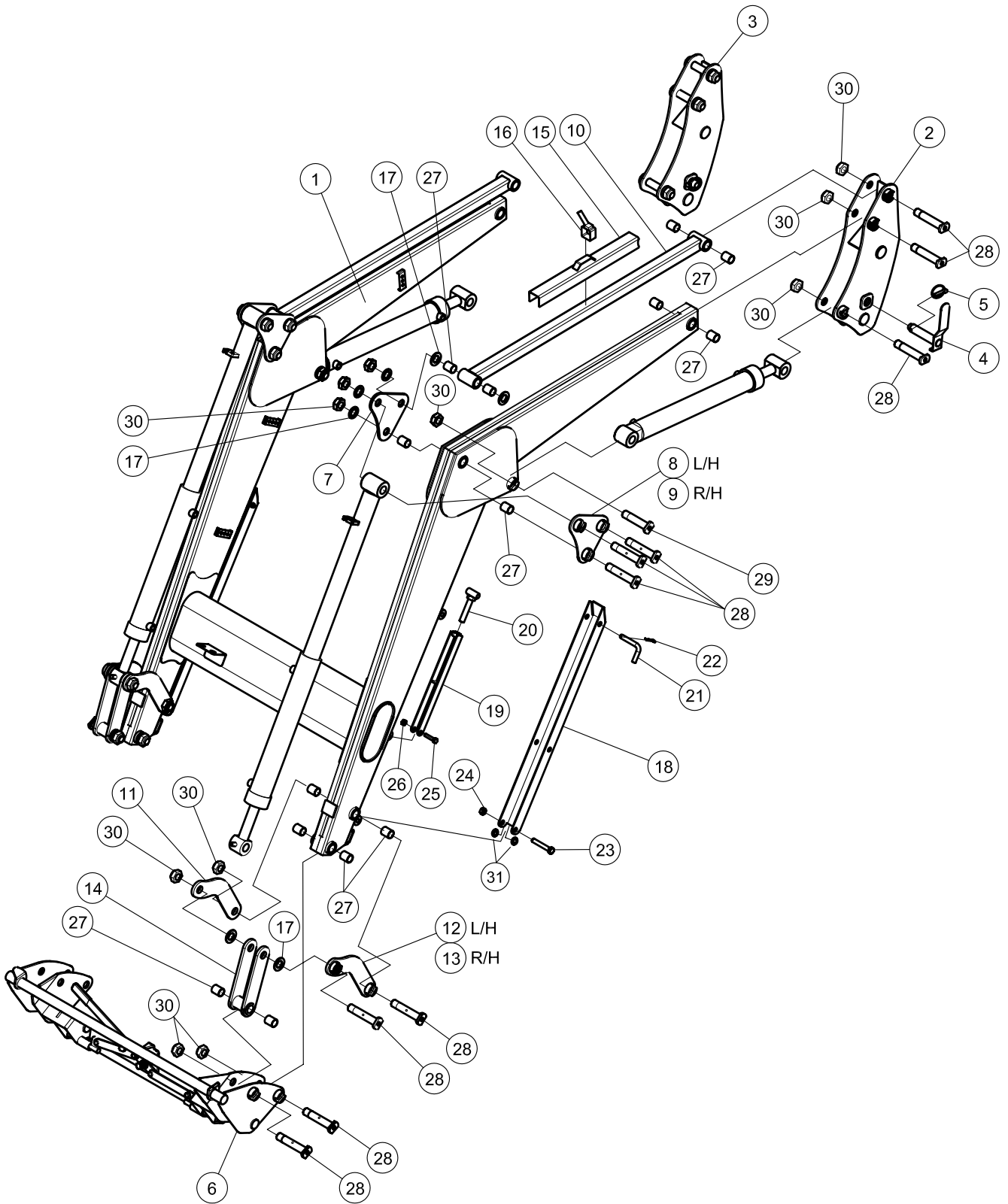
II . CONNECTING OF MOUNTING FRAME AND HYD. CONTROL ASSEMBLY

1. Mounting Frame Ass'y	-----	LDL01-10000
-------------------------	-------	-------------

2. Remote Control System Ass'y	-----	LDL56-51000
--------------------------------	-------	-------------

3. Multi Coupler Ass'y	-----	LDL56-52000
------------------------	-------	-------------

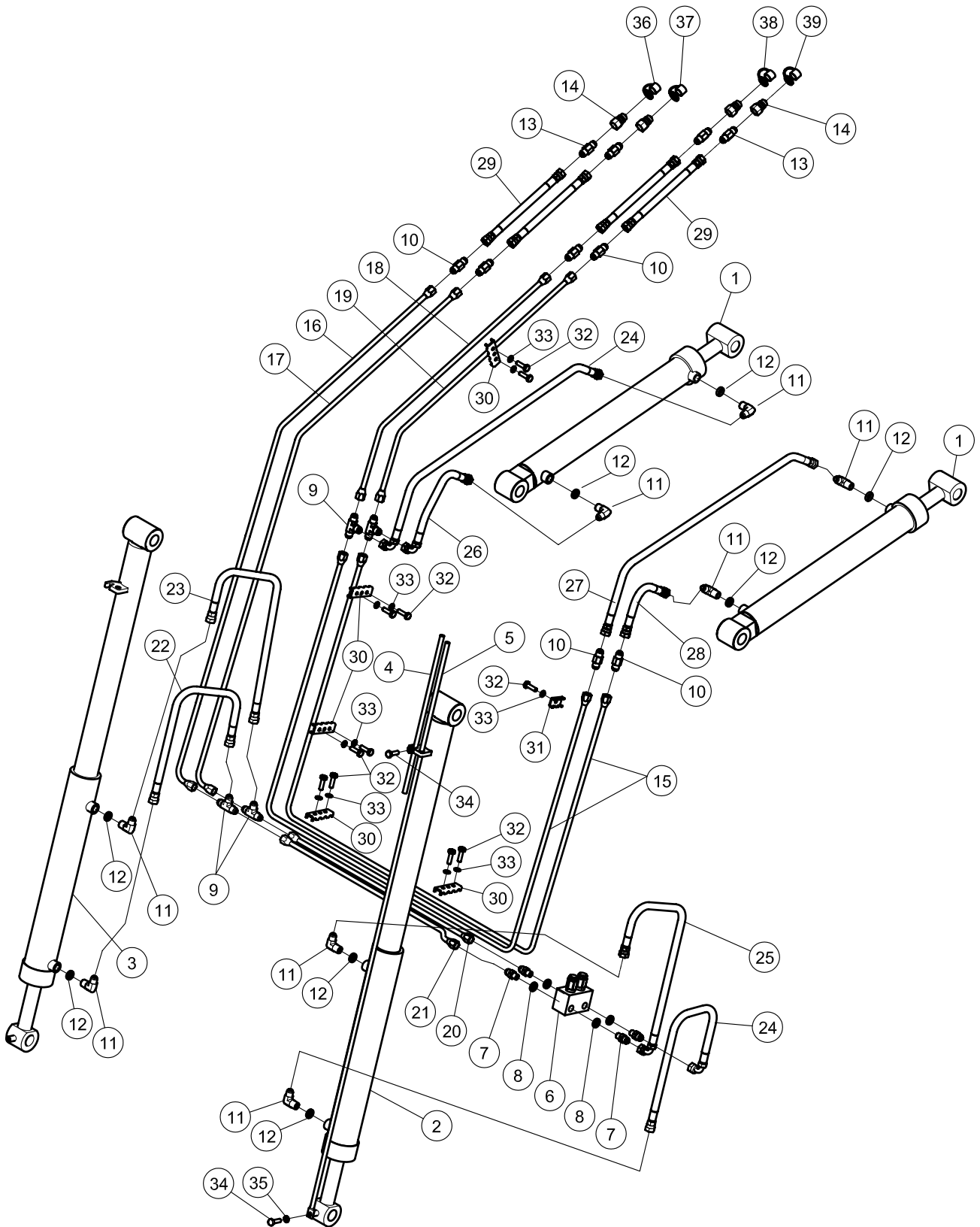
MAIN FRAME ASSEMBLY



MAIN FRAME ASSEMBLY

ITEM	PART NO	DESCRIPTION	Q'TY	SERIAL NO
1	KLD90-12200	BOOM W.A	1	
2	KLD90-31100	TOP POST W.A-LH	1	
3	KLD90-31200	TOP POST W.A-RH	1	
4	LTL26-31500	PIN W.A	2	
5	1008-1001	RING PIN	2	
6	LTL26-44000	QUICK ATTA. ASS'Y	1	
7	LTL26-51101	LINK	2	
8	LTL26-51120	LINK W.A-LH	1	
9	LTL26-51130	LINK W.A-RH	1	
10	LTL26-51210	LINK W.A-LEVEL	2	
11	LTL26-51311	LINK	2	
12	LTL26-51310	LINK W.A-BUCKET	1	
13	LTL26-51320	LINK W.A-BUCKET	1	
14	LTL26-51400	LINK W.A	2	
15	LTL26-51510	SAFTY BAR W.A	1	
16	LTL26-51513	STRAP-LOCK	1	
17	S4011-50300	WASHER-PLAIN	14	
18	LTL26-61111	STAND	2	
19	LTL26-61120	STAND BAR W.A	2	
20	LTL26-61130	BOLT W.A	2	
21	LTL26-61201	PIN-HAND	2	
22	S5515-51600	R-PIN	2	
23	S1056-51600	BOLT-HEX	2	
24	1002-1673	NUT-SELFLOCK	2	
25	S1056-51250	BOLT-HEX	2	
26	1002-1263	NUT-SELFLOCK	2	
27	LTL26-71140	BUSHING	36	
28	LTL26-71211	PIN	20	
29	LTL26-71212	PIN	2	
30	LTL26-71301	NUT-SELFLOCK	22	
31	S4011-50160	WASHER-PLAIN	6	

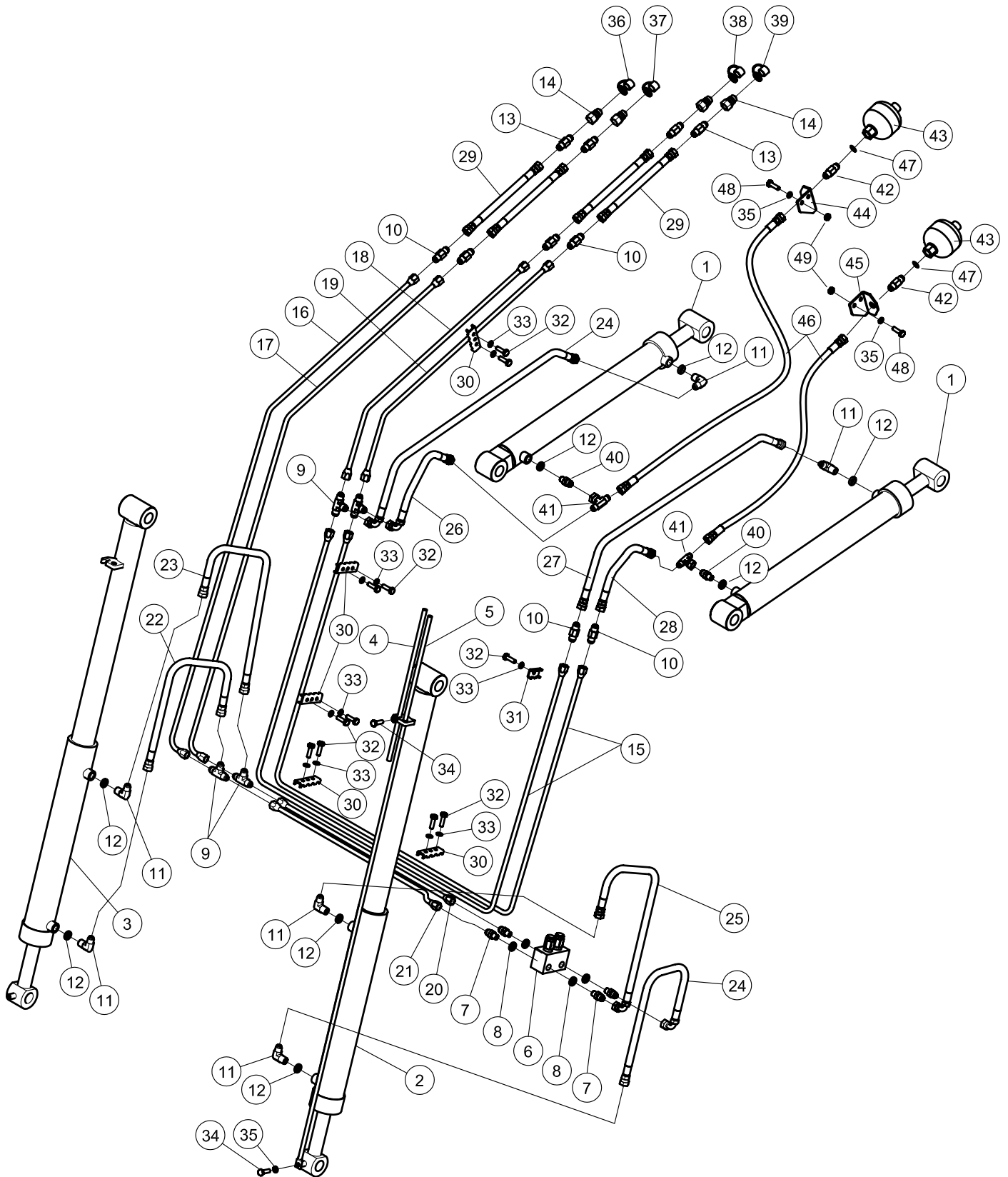
HYDRAULIC PIPING



HYDRAULIC PIPING

ITEM	PART NO	DESCRIPTION	Q'TY	SERIAL NO
1	KLD90-81110	CYLINDER ASS'Y, BOOM	2	
2	KLD90-81120	CYLINDER ASS'Y, BUCKET-LH	1	
3	KLD90-81130	CYLINDER ASS'Y, BUCKET-RH	1	
4	LTL26-81201	BAR, GAUGE-SHOT	1	
5	LTL26-81202	BAR, GAUGE-LONG	1	
6	LTL26-81301	VALVE, RELIFE	1	
7	6003-0214	NIPPLE	4	
8	S4810-0P180	O-RING	4	
9	6003-0805	NIPPLE	4	
10	6004-0116	NIPPLE	6	
11	6007-1823	NIPPLE	8	
12	S4810-0P140	O-RING	8	
13	6003-0408	NIPPLE	4	
14	0001-1010	QUICK COUPLER	4	
15	LTL26-81510	PIPE ASS'Y	2	
16	LTL26-81520	PIPE ASS'Y	1	
17	LTL26-81530	PIPE ASS'Y	1	
18	LTL26-81540	PIPE ASS'Y	1	
19	LTL26-81550	PIPE ASS'Y	1	
20	LTL26-81560	PIPE ASS'Y	1	
21	LTL26-81570	PIPE ASS'Y	1	
22	LTL26-81610	HOSE ASS'Y	1	
23	LTL26-81620	HOSE ASS'Y	1	
24	LTL26-81630	HOSE ASS'Y	2	
25	LTL26-81640	HOSE ASS'Y	1	
26	LTL26-81650	HOSE ASS'Y	1	
27	LTL26-81660	HOSE ASS'Y	1	
28	LTL26-81670	HOSE ASS'Y	1	
29	LTL26-81680	HOSE ASS'Y	4	
30	LTL26-81801	CLAMP	5	
31	LTL26-81802	CLAMP	1	
32	S1053-50835	BOLT-HEX	11	
33	S4013-50080	WASHER-SPRING	11	
34	S1053-51035	BOLT-HEX	2	
35	S4013-50100	WASHER-SPRING	1	
36	LBL51-51551	DUST CAP-RED FEMALE	1	
37	LBL51-51552	DUST CAP-BLUE FEMALE	1	
38	LBL51-51553	DUST CAP-YELLOW FEMALE	1	
39	0001-1012	DUST CAP-BLACK FEMALE	1	

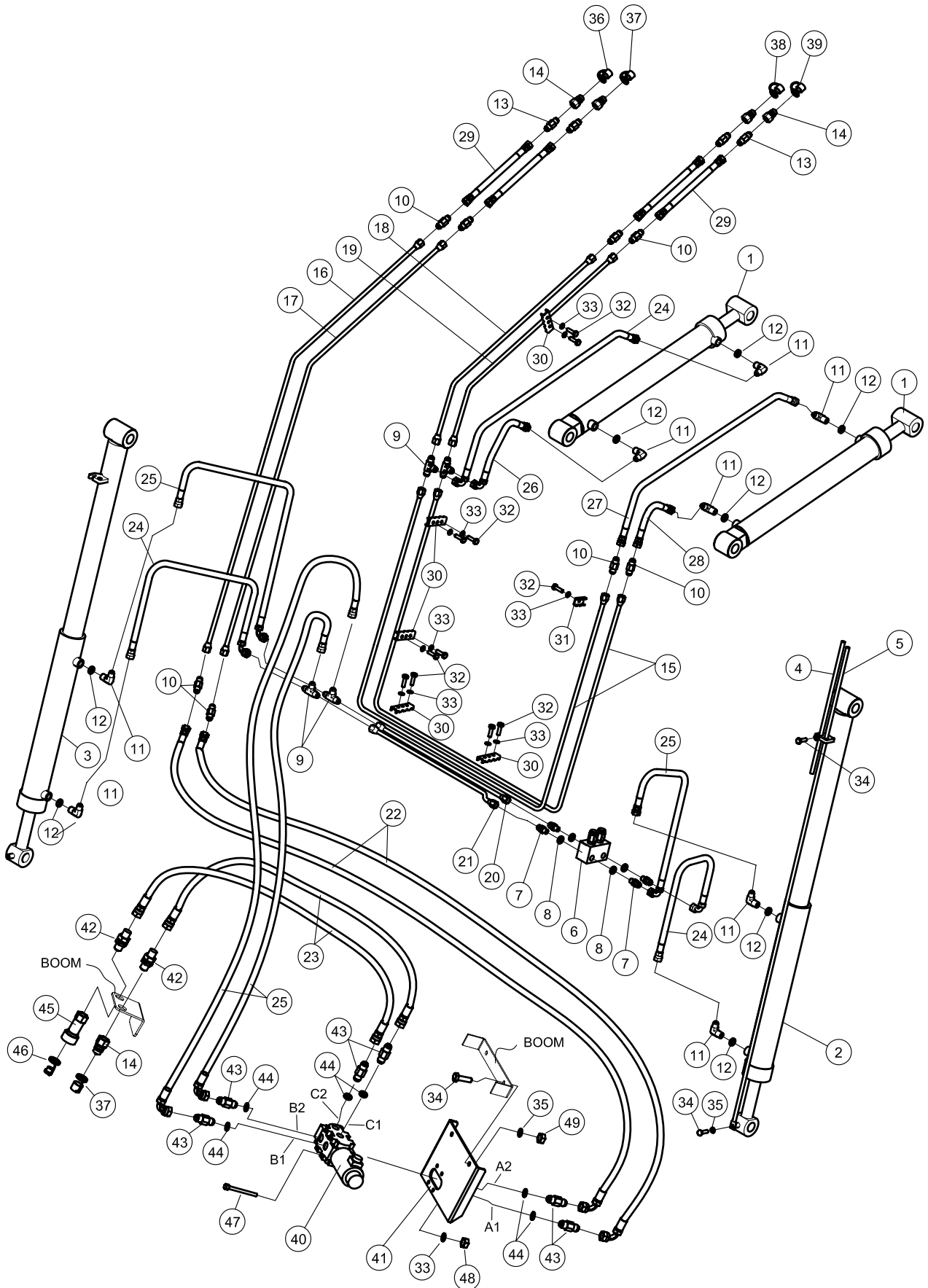
HYDRAULIC PIPING



HYDRAULIC PIPING

ITEM	PART NO	DESCRIPTION	Q'TY	SERIAL NO
1	KLD90-81110	CYLINDER ASS'Y, BOOM	2	
2	KLD90-81120	CYLINDER ASS'Y, BUCKET-LH	1	
3	KLD90-81130	CYLINDER ASS'Y, BUCKET-RH	1	
4	LTL26-81201	BAR, GAUGE-SHOT	1	
5	LTL26-81202	BAR, GAUGE-LONG	1	
6	LTL26-81301	VALVE, RELIFE	1	
7	6003-0214	NIPPLE	4	
8	S4810-0P180	O-RING	4	
9	6003-0805	NIPPLE	4	
10	6004-0116	NIPPLE	6	
11	6007-1823	NIPPLE	6	
12	S4810-0P140	O-RING	8	
13	6003-0408	NIPPLE	4	
14	0001-1010	QUICK COUPLER	4	
15	LTL26-81510	PIPE ASS'Y	2	
16	LTL26-81520	PIPE ASS'Y	1	
17	LTL26-81530	PIPE ASS'Y	1	
18	LTL26-81540	PIPE ASS'Y	1	
19	LTL26-81550	PIPE ASS'Y	1	
20	LTL26-81560	PIPE ASS'Y	1	
21	LTL26-81570	PIPE ASS'Y	1	
22	LTL26-81610	HOSE ASS'Y	1	
23	LTL26-81620	HOSE ASS'Y	1	
24	LTL26-81630	HOSE ASS'Y	2	
25	LTL26-81640	HOSE ASS'Y	1	
26	LTL26-81650	HOSE ASS'Y	1	
27	LTL26-81660	HOSE ASS'Y	1	
28	LTL26-81670	HOSE ASS'Y	1	
29	LTL26-81680	HOSE ASS'Y	4	
30	LTL26-81801	CLAMP	5	
31	LTL26-81802	CLAMP	1	
32	S1053-50835	BOLT-HEX	11	
33	S4013-50080	WASHER-SPRING	11	
34	S1053-51035	BOLT-HEX	2	
35	S4013-50100	WASHER-SPRING	5	
36	LBL51-51551	DUST CAP-RED FEMALE	1	
37	LBL51-51552	DUST CAP-BLUE FEMALE	1	
38	LBL51-51553	DUST CAP-YELLOW FEMALE	1	
39	0001-1012	DUST CAP-BLACK FEMALE	1	

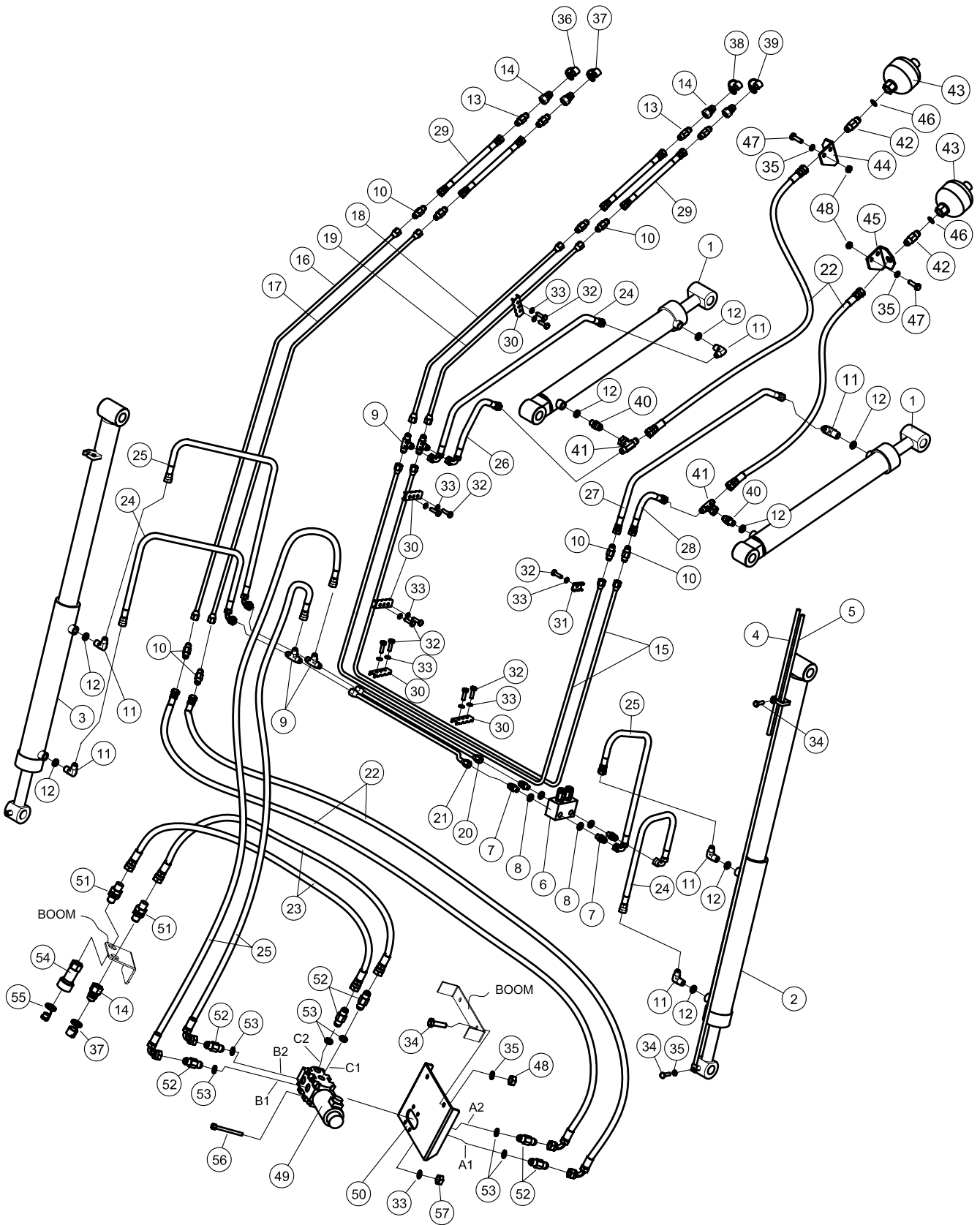
HYDRAULIC PIPING



HYDRAULIC PIPING

ITEM	PART NO	DESCRIPTION	Q'TY	SERIAL NO
1	KLD90-81110	CYLINDER ASS'Y, BOOM	2	
2	KLD90-81120	CYLINDER ASS'Y, BUCKET-LH	1	
3	KLD90-81130	CYLINDER ASS'Y, BUCKET-RH	1	
4	LTL26-81201	BAR, GAUGE-SHOT	1	
5	LTL26-81202	BAR, GAUGE-LONG	1	
6	LTL26-81301	VALVE, RELIFE	1	
7	6003-0214	NIPPLE	4	
8	S4810-0P180	O-RING	4	
9	6003-0805	NIPPLE	4	
10	6004-0116	NIPPLE	6	
11	6007-1823	NIPPLE	6	
12	S4810-0P140	O-RING	8	
13	6003-0408	NIPPLE	4	
14	0001-1010	QUICK COUPLER	4	
15	LTL26-81510	PIPE ASS'Y	2	
16	LTL26-82520	PIPE ASS'Y	1	
17	LTL26-82530	PIPE ASS'Y	1	
18	LTL26-81540	PIPE ASS'Y	1	
19	LTL26-81550	PIPE ASS'Y	1	
20	LTL26-81560	PIPE ASS'Y	1	
21	LTL26-81570	PIPE ASS'Y	1	
22	LTL26-82610	HOSE ASS'Y	2	
23	LTS21-81630	HOSE ASS'Y	2	
24	LTL26-81630	HOSE ASS'Y	3	
25	LTL26-81640	HOSE ASS'Y	4	
26	LTL26-81650	HOSE ASS'Y	1	
27	LTL26-81660	HOSE ASS'Y	1	
28	LTL26-81670	HOSE ASS'Y	1	
29	LTL26-81680	HOSE ASS'Y	4	
30	LTL26-81801	CLAMP	5	
31	LTL26-81802	CLAMP	1	
32	S1053-50835	BOLT-HEX	11	
33	S4013-50080	WASHER-SPRING	15	
34	S1053-51035	BOLT-HEX	4	
35	S4013-50100	WASHER-SPRING	3	
36	LBL51-51551	DUST CAP-RED FEMALE	1	
37	LBL51-51552	DUST CAP-BLUE FEMALE	2	
38	LBL51-51553	DUST CAP-YELLOW FEMALE	1	
39	0001-1012	DUST CAP-BLACK FEMALE	1	

HYDRAULIC PIPING



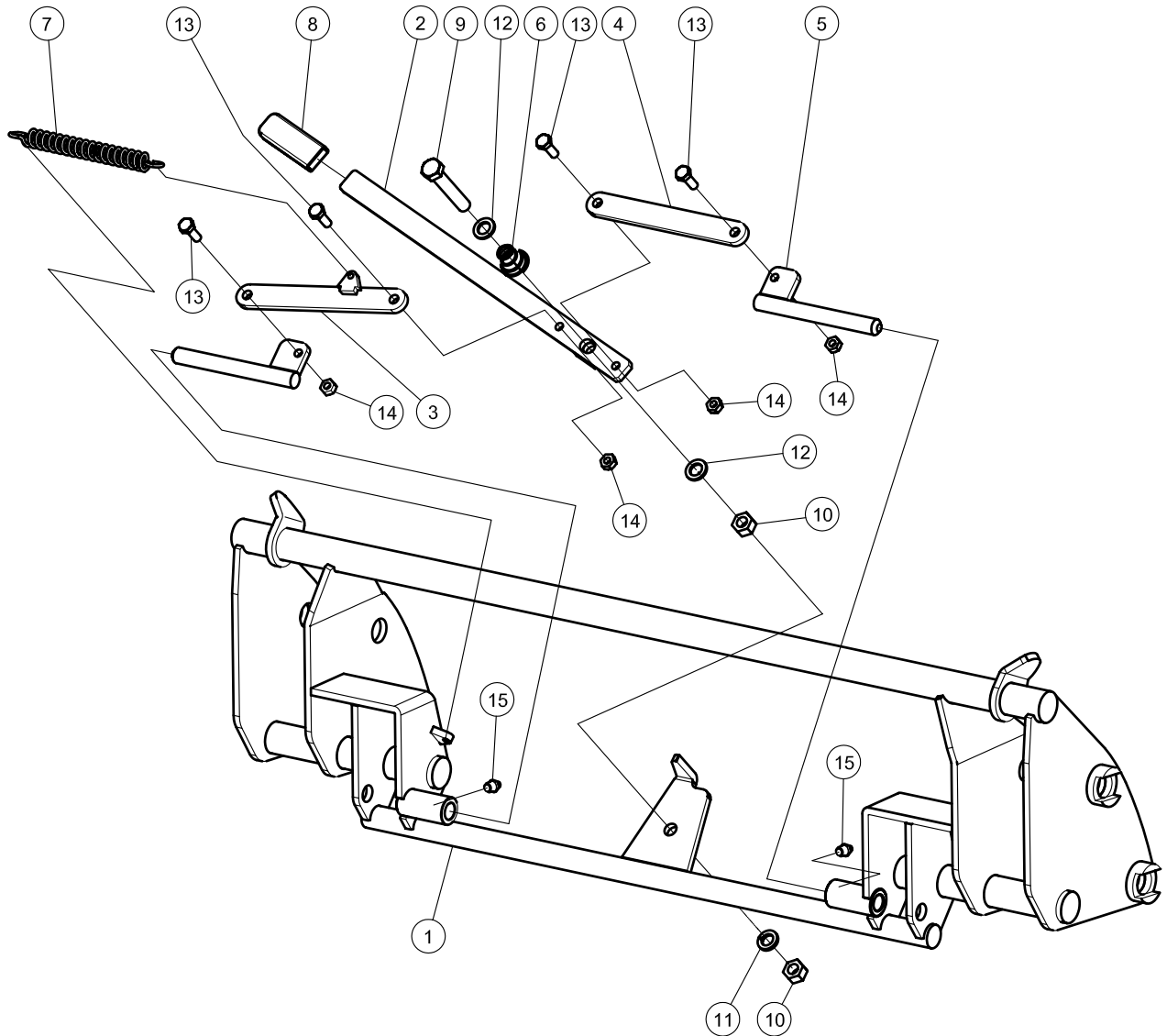
HYDRAULIC PIPING

ITEM	PART NO	DESCRIPTION	Q'TY	SERIAL NO
1	KLD90-81110	CYLINDER ASS'Y, BOOM	2	
2	KLD90-81120	CYLINDER ASS'Y, BUCKET-LH	1	
3	KLD90-81130	CYLINDER ASS'Y, BUCKET-RH	1	
4	LTL26-81201	BAR, GAUGE-SHOT	1	
5	LTL26-81202	BAR, GAUGE-LONG	1	
6	LTL26-81301	VALVE, RELIFE	1	
7	6003-0214	NIPPLE	4	
8	S4810-0P180	O-RING	4	
9	6003-0805	NIPPLE	4	
10	6004-0116	NIPPLE	8	
11	6007-1823	NIPPLE	8	
12	S4810-0P140	O-RING	8	
13	6003-0408	NIPPLE	4	
14	0001-1010	QUICK COUPLER	5	
15	LTL26-81510	PIPE ASS'Y	2	
16	LTL26-82520	PIPE ASS'Y	1	
17	LTL26-82530	PIPE ASS'Y	1	
18	LTL26-81540	PIPE ASS'Y	1	
19	LTL26-81550	PIPE ASS'Y	1	
20	LTL26-81560	PIPE ASS'Y	1	
21	LTL26-81570	PIPE ASS'Y	1	
22	LTL26-82610	HOSE ASS'Y	2	
23	LTS21-81630	HOSE ASS'Y	2	
24	LTL26-81630	HOSE ASS'Y	3	
25	LTL26-81640	HOSE ASS'Y	4	
26	LTL26-81650	HOSE ASS'Y	1	
27	LTL26-81660	HOSE ASS'Y	1	
28	LTL26-81670	HOSE ASS'Y	1	
29	LTL26-81680	HOSE ASS'Y	4	
30	LTL26-81801	CLAMP	5	
31	LTL26-81802	CLAMP	1	
32	S1053-50835	BOLT-HEX	11	
33	S4013-50080	WASHER-SPRING	15	
34	S1053-51035	BOLT-HEX	4	
35	S4013-50100	WASHER-SPRING	7	
36	LBL51-51551	DUST CAP-RED FEMALE	1	
37	LBL51-51552	DUST CAP-BLUE FEMALE	2	
38	LBL51-51553	DUST CAP-YELLOW FEMALE	1	
39	0001-1012	DUST CAP-BLACK FEMALE	1	

HYDRAULIC PIPING

ITEM	PART NO	DESCRIPTION	Q'TY	SERIAL NO
40	6004-0105	NIPPLE	2	
41	6003-0801	NIPPLE	2	
42	LTL26-82430	NIPPLE	2	
43	LTL26-82421	ACCUMULATOR	2	
44	LTL26-82451	BRACKET-RH	1	
45	LTL26-82452	BRACKET-LH	1	
46	LTL26-82422	WASHER, COPPER	2	
47	S1056-51020	BOLT-HEX	4	
48	S2056-50100	NUT-HEX	6	
49	LTL26-82461	AUXLIARY V/V	1	
50	LTL26-82462	BRACKET, AUXLIARY V/V	1	
51	LBL51-51150	NIPPLE ASS'Y	2	
52	SL045-48001	NIPPLE	6	
53	2Q4690800	O-RING	6	
54	0001-1009	QUICK COUPLER-FEMALE	1	
55	LBL51-51555	DUST PLUGS-RED	1	
56	S1053-50890	BOLT-HEX	4	
57	S2056-50080	NUT-HEX	4	

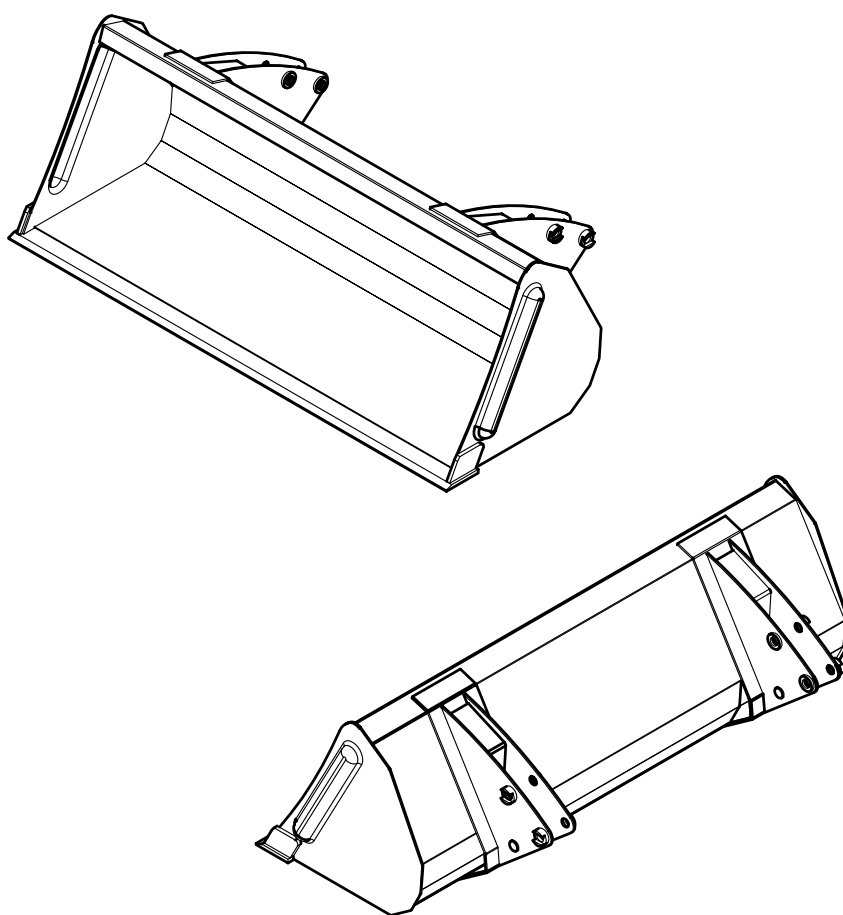
QUICK ATTACHMENT



QUICK ATTACHMENT

ITEM	PART NO	DESCRIPTION	Q'TY	SERIAL NO
-	LTL26-44000	QUICK ATTA. ASS'Y	-	
1	LTL26-44100	QUICK ATTA. W.A	1	
2	LTL26-41510	LEVER W.A-QUICK	1	
3	LTS19-43520	LINK W.A-QUICK	1	
4	LTS19-43521	LINK-QUICK	1	
5	LTS19-43540	PIN W.A-QUICK	2	
6	LTL26-41551	SPRING	1	
7	LTL26-41552	SPRING	1	
8	BN01-0904	GRIP-RUBBER	1	
9	S1056-51690	BOLT-HEX	1	
10	S2056-50160	NUT-HEX	2	
11	S4512-50160	WASHER-SPRING	1	
12	S4011-50160	WASHER-PLAIN	2	
13	S1056-51035	BOLT-HEX	4	
14	1001-1053	NUT-SELFLOCK	4	
15	4001-0001	NIPPLE, GREASE	2	

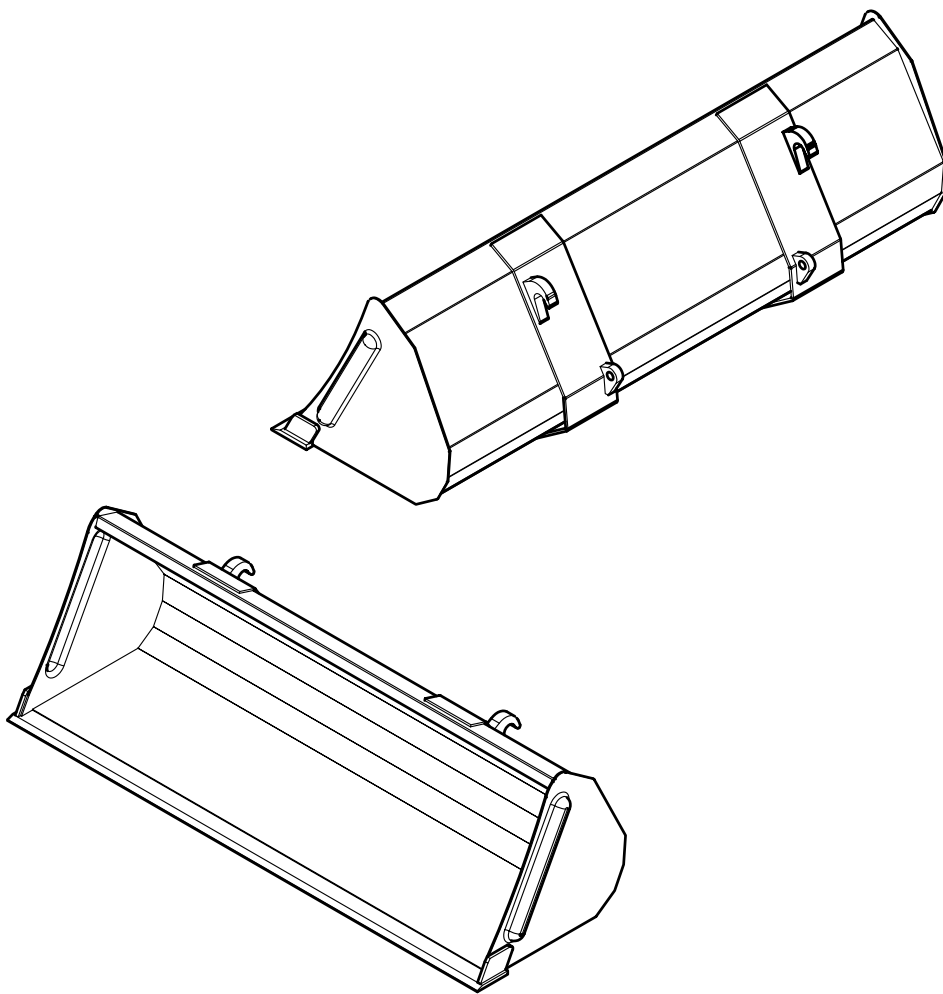
BUCKET



BUCKET

ITEM	PART NO	DESCRIPTION	Q'TY	SERIAL NO
	LTL26-20800	EARTH BUCKET WIDTH=1800mm	1	
	LTL26-20000	WIDTH=2000mm	1	
	LTL26-20100	WIDTH=2100mm	1	
	LTL26-20200	WIDTH=2200mm	1	
	LTL26-20850	WIDTH=72"	1	
	LTL26-20150	WIDTH=84"	1	
	LTL26-20250	WIDTH=87"-STANDARD	1	

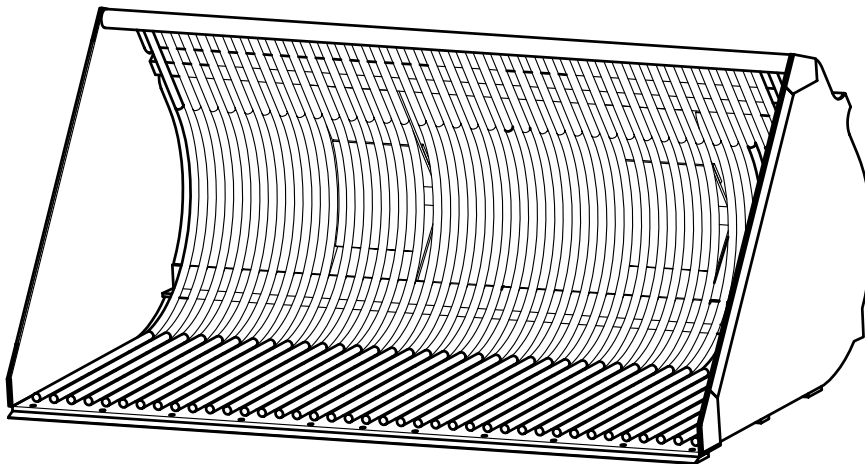
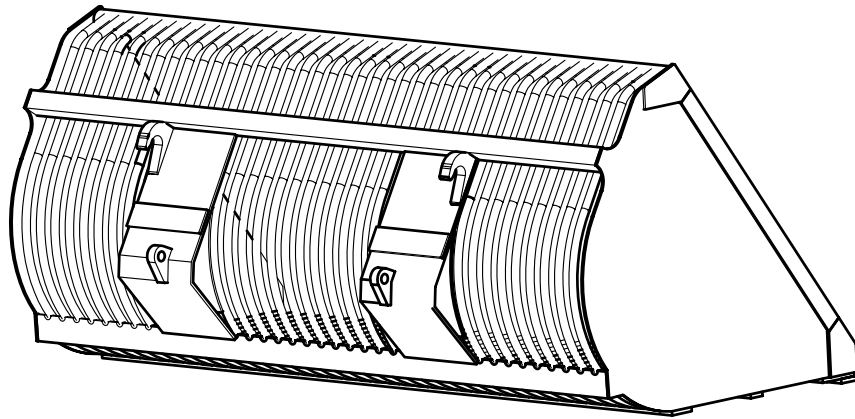
BUCKET



BUCKET

ITEM	PART NO	DESCRIPTION	Q'TY	SERIAL NO
	LTL26-23800	EARTH BUCKET-QUICK ATTA. WIDTH=1800mm	1	
	LTL26-23000	WIDTH=2000mm	1	
	LTL26-23100	WIDTH=2100mm	1	
	LTL26-23200	WIDTH=2200mm	1	
	LTL26-23850	WIDTH=72"	1	
	LTL26-23150	WIDTH=84"	1	
	LTL26-23250	WIDTH=87"-STANDARD	1	

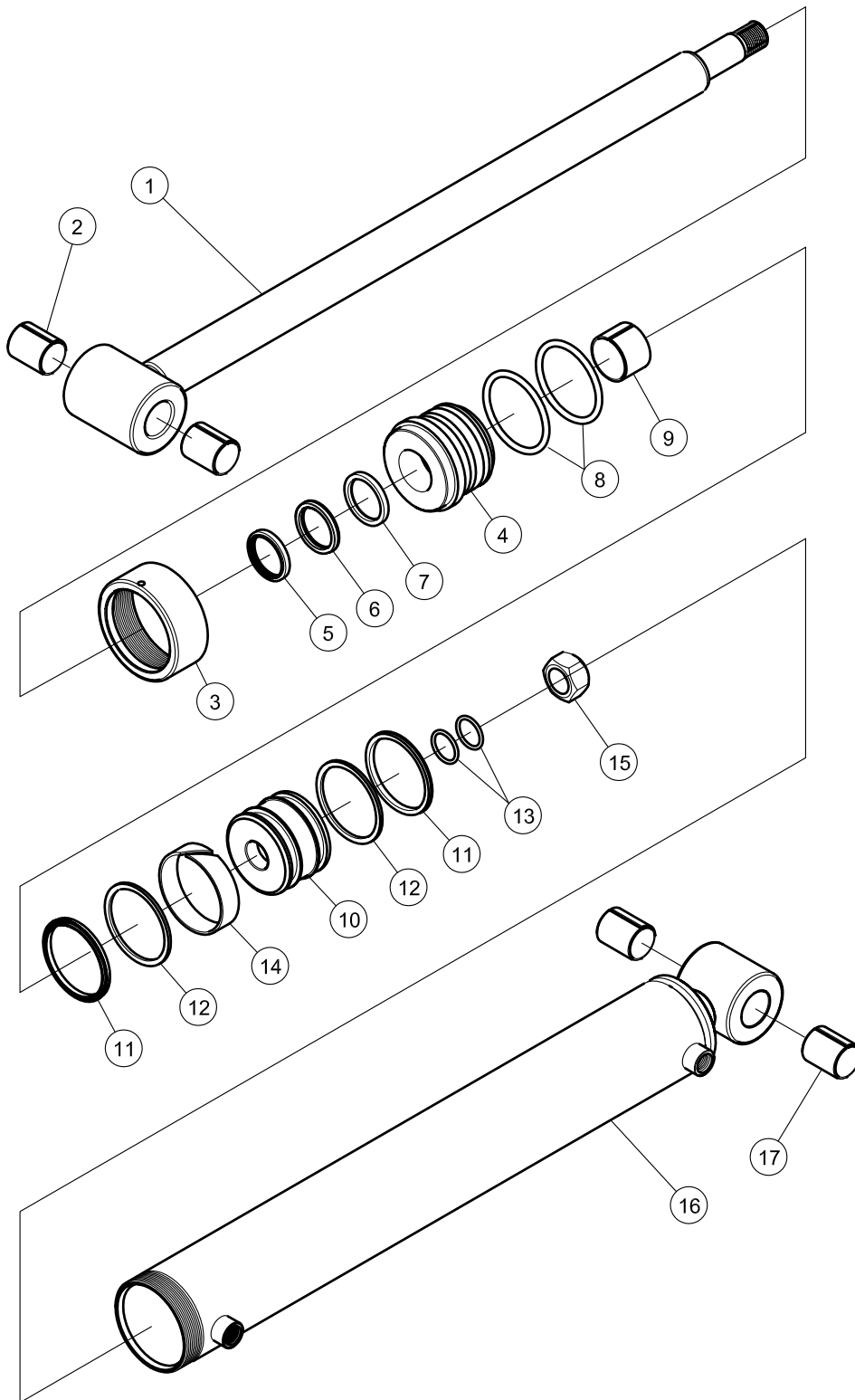
BUCKET



BUCKET

ITEM	PART NO	DESCRIPTION	Q'TY	SERIAL NO
	LTL26-24800	LUTE BUCKET-QUICK ATTA. WIDTH=1800mm	1	
	LTL26-24000	WIDTH=2000mm	1	
	LTL26-24100	WIDTH=2100mm	1	
	LTL26-24200	WIDTH=2200mm	1	
	LTL26-24850	WIDTH=72"	1	
	LTL26-24150	WIDTH=84"	1	
	LTL26-24250	WIDTH=87"-STANDARD	1	

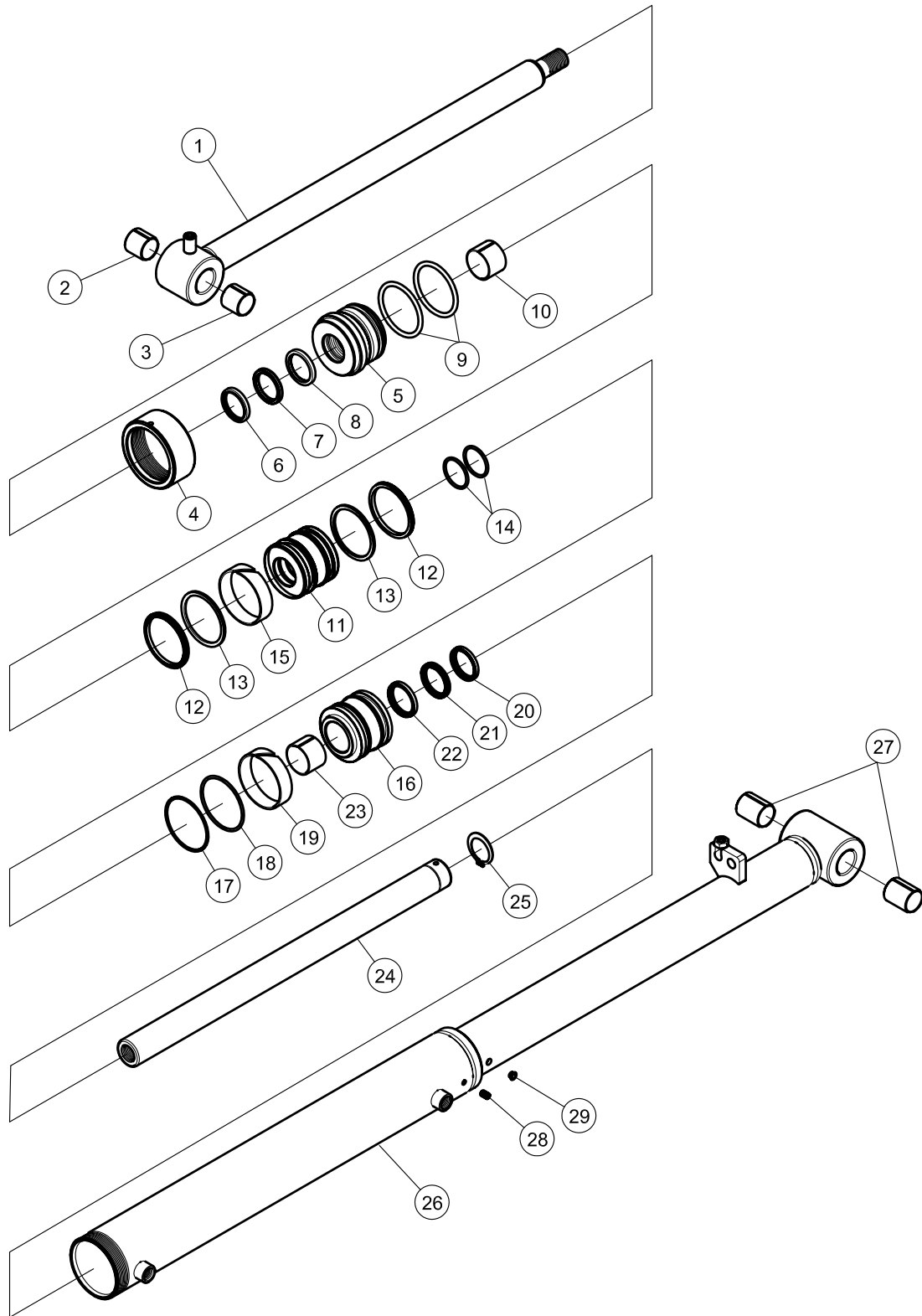
BOOM CYLINDER



BOOM CYLINDER

ITEM	PART NO	DESCRIPTION	Q'TY	SERIAL NO
-	KLD90-81110	CYLINDER ASS'Y, BOOM	2	
1	2244-1100	ROAD ASS'Y	1	
2	DU03-0040	BUSHING, DU	2	
3	OC80-9040	CAP, OUTER	1	
4	IC80-4065	COVER, INNER	1	
5	DSSD-R040	DUST	1	
6	UPSK-Y040	PACKING, U	1	
7	UPIS-I040	PACKING, U	1	
8	OR1B-P070	O-RING	2	
9	DU04-0030	BUSHING, DU	1	
10	PI80-2755-1	PISTON	1	
11	UPOS-I080	PACKING, U	2	
12	TRBR-0070	BACKUP RING	2	
13	OR1B-G027	O-RING	2	
14	WEWR-0080	WEARING	1	
15	NTP0-U100-C	NUT	1	
16	2244-1200	TUBE ASS'Y	1	
17	DU03-0030	BUSHING	2	

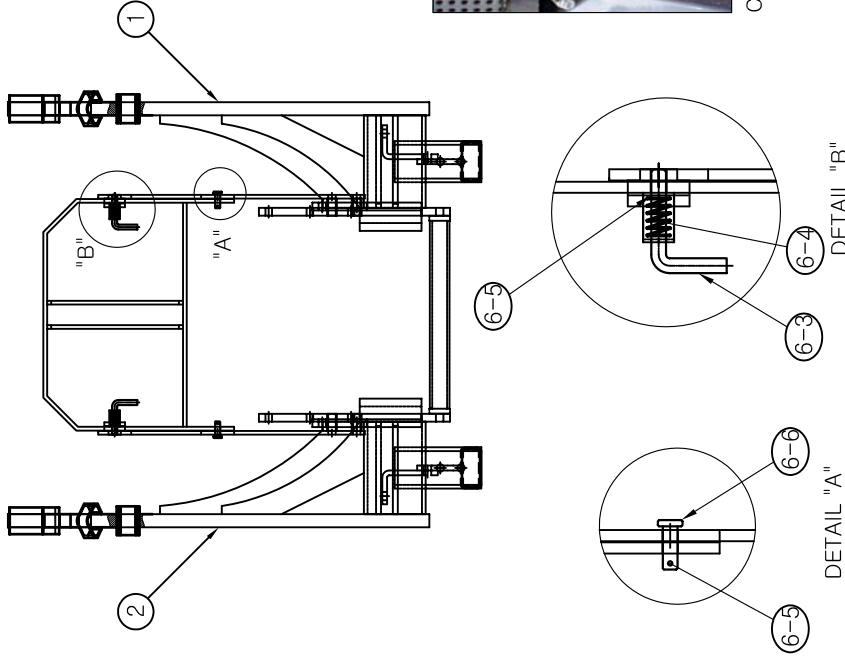
BUCKET CYLINDER



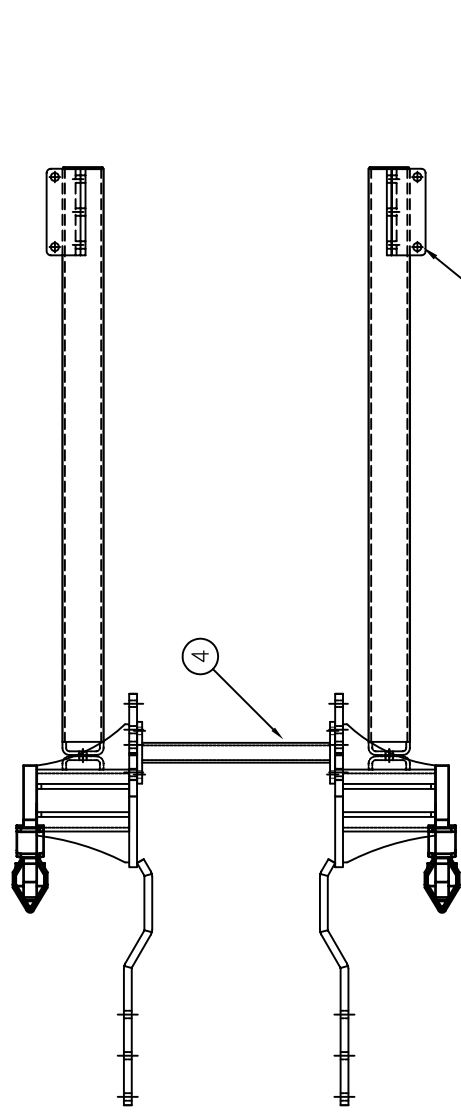
BUCKET CYLINDER

ITEM	PART NO	DESCRIPTION	Q'TY	SERIAL NO
-	KLD90-81120	CYLINDER ASS'Y, BUCKET-LH	1	
-	KLD90-81130	CYLINDER ASS'Y, BUCKET-RH	1	
1	2244-3100	ROAD ASS'Y	1	
2	DU03-0030	BUSHING, DU	1	
3	DU03-0025	BUSHING, DU	1	
4	OC80-9040	CAP, OUTER	1	
5	IC80-4065	COVER, INNER	1	
6	DSSD-R040	DUST	1	
7	UPSK-Y040	PACKING, U	1	
8	UPIS-I040	PACKING, U	1	
9	OR1B-P070	PACKING, U	2	
10	DU04-0030	BUSHING, DU	1	
11	PI80-2764-1	PISTION	1	
12	UPOS-I080	PACKING, U	2	
13	TRBR-0070	BACKUP RING	2	
14	OR1B-G040	O-RING	2	
15	WEWR-0080	WEARING	1	
16	PI80-4065-1	PISTION, INNER	1	
17	UPOS-I080	PACKING, U	1	
18	TRBR-G075	BACKUP RING	1	
19	WEWR-0080	WEARING	1	
20	DSSD-R040	DUST	1	
21	UPSK-Y040	PACKING, U	1	
22	UPIS-I040	PACKING, U	1	
23	DU04-0030	BUSHING, DU	1	
24	2244-3102	ROD, INNER	1	
25	6521-0040	SNAP RING	1	
26	2244-3200	TUBE ASS'Y-LH	1	
26	2244-4200	TUBE ASS'Y-RH	1	
27	DU03-0040	BUSHING, DU	2	
28	5435-M08C-12	SET SCREW	1	
29	BR20-0800	CAP	1	

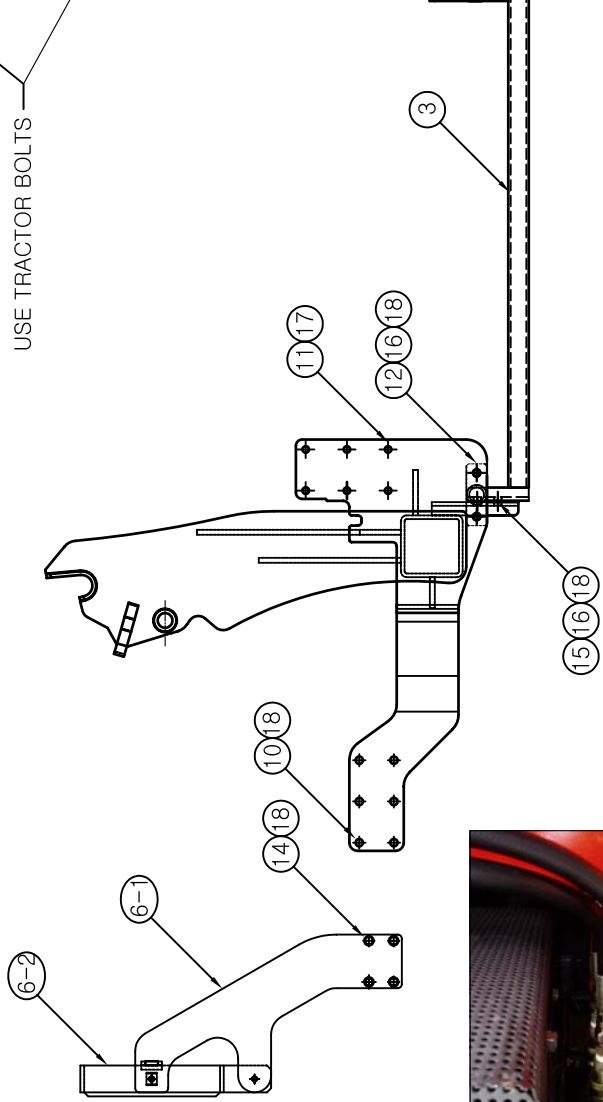
NO	PART NO	PART NAME	QTY	SPECIFICATION
1	LDL01-11300	MOUNTING FRAME W.A L/H	1	
2	LDL01-11400	MOUNTING FRAME W.A R/H	1	
3	LDL01-11100	REAR FRAME W.A	2	
4	LDL01-11104	SUPPORT	2	
5	LDL01-11290	CROSS BAR W.A	1	
6	LDL01-12000	GRILLE ASS'Y	1	
6-1	LDL01-12100	GRILLE W.A	1	
6-2	LDL01-12200	GRILLE W.A	1	
6-3	LDL01-12204	PIN	2	
6-4	LK01-0203	SPRING	2	
6-5	S551551200	PIN-R	2	
6-6	LDL53-12108	GRILLE ASS'Y	1	
10	S1075-01650	BOLT-HEX	12	M16x1.5x50
11	S1075-01450	BOLT-HEX	12	M14x1.5x50
12	S1055-01660	BOLT-HEX	4	M16x2.0x60
13	S1055-01650	BOLT-HEX	6	M16x2.0x50
14	S1075-01670	BOLT-HEX	8	M16x1.5x70
15	S1055-01640	BOLT-HEX	4	M16x2.0x40
16	S2056-00160	NUT-HEX	14	M16x2.0
17	S4512-50140	WASHER-SPRING	12	M14
18	S4512-50160	WASHER-SPRING	34	M16



CONNECTING TO TRACTOR HYD. PORT



USE TRACTOR BOLTS
ASSEMBLY POSITION

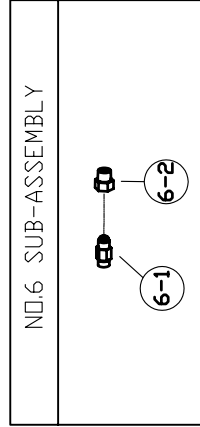
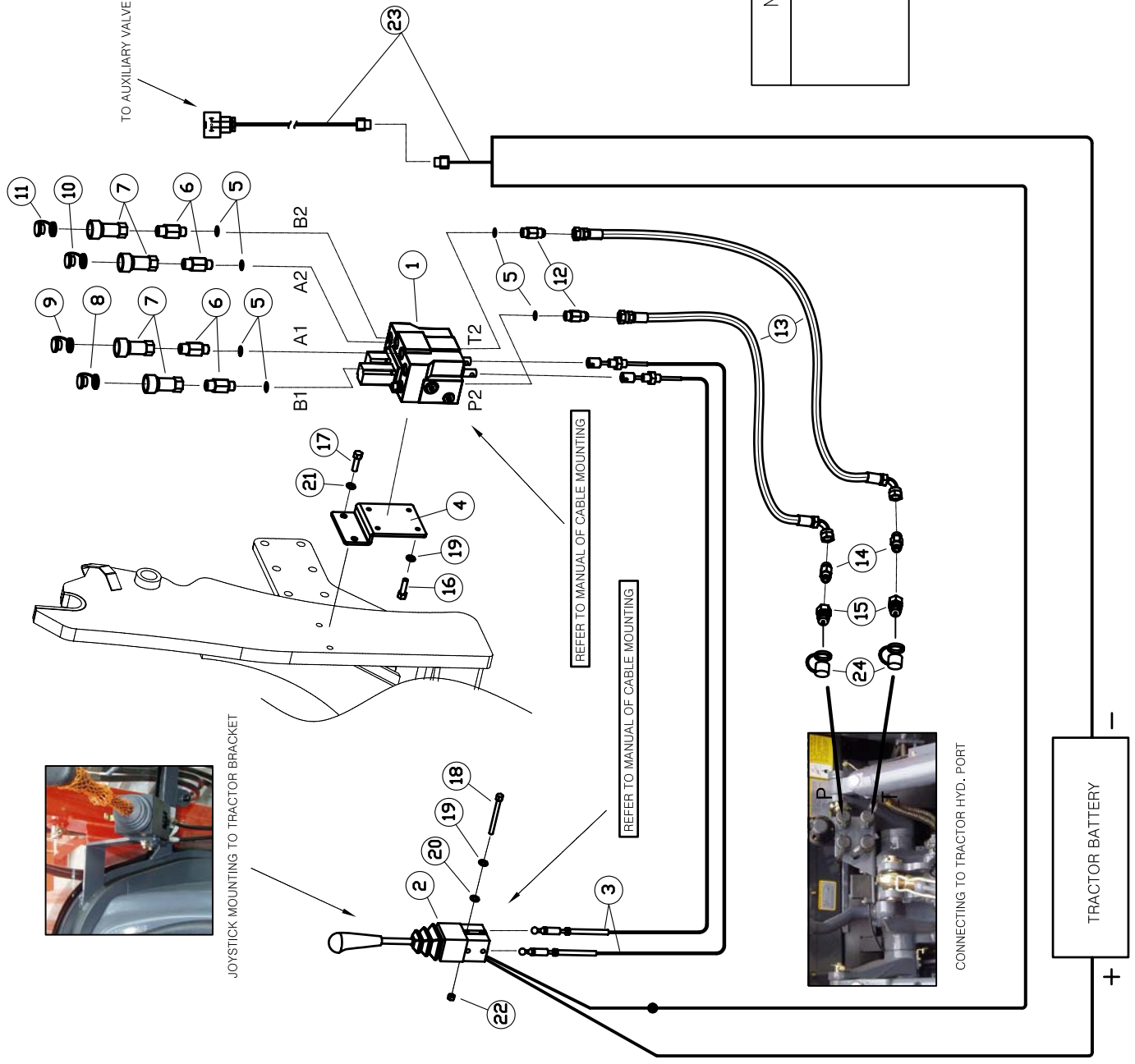


DISTRIBUTION		WEIGHT		Kg	
REGISTRATION		FORMAT		A3	
DATE		CHECK			
DESCRIPTION		MOUNTING FRAME ASS'Y			
Name		Date		Signature	
Checked by		2005. 4. 19		K. N. J.	
Approved by		2005. 4. 20		J. J. M.	
Part No.		Scale		Part Number Rev.	
LDL01-10000		N/S		LDL01-10000	

CAD		Manual Modification Not Permitted	
Projection		This document is confidential and the sole property of TAESUNG. It shall neither be copied nor used in third parties without permission.	
REVISION		DATE	
0			
1			
2			
3			
4			
5			
6			
7			
8			
9			
10			
11			
12			
13			
14			
15			
16			
17			
18			
19			
20			

REV	MODIFICATION	DATE	DRAWN BY	CHECKED BY
0				
1				
2				
3				
4				
5				
6				
7				
8				
9				
10				
11				
12				
13				
14				
15				
16				
17				
18				
19				
20				

NO	PART NO	PART NAME	QTY	SPECIFICATION
1	LDL56-51114	DIRECTIONAL CONTROL VALVE	1	
2	LDL56-51115	JOYSTICK CONTROL LEVER	1	
3	LDL56-51113	CABLE	2	
4	LDL56-51111	BRACKET, VALVE	1	
5	2Q4690800	O-RING	6	
6	LDL56-51201	NIPPLE ASSEMBLY	4	3/4-16UNF O-RING, PT1/2
6-1	6004-0117	NIPPLE	4	3/4-16UNF O-RING, PT3/8
6-2	6003-0417	NIPPLE	4	PT3/8, PT1/2
7	0001-1009	QUICK COUPLER-FEMALE	4	PT1/2
8	0001-1004	DUST CAPS-BLACK MALE	1	
9	LGM51-51102	DUST CAPS-YELLOW MALE	1	
10	SL045-48020	DUST CAPS-RED MALE	1	
11	LGM51-51101	DUST CAPS-BLUE MALE	1	
12	LDL56-51202	NIPPLE	2	3/4-16UNF O-RING, 7/8-14UNF
13	LDL56-51301	HOSE	2	
14	6003-0419	NIPPLE	2	PT1/2, 7/8-14UNF
15	0001-1010	QUICK COUPLER-MALE	2	PT1/2
16	S1052-50830	BOLT-HEX	4	M8x1.25x30
17	S1056-51230	BOLT-HEX	2	M12x1.75x30
18	S1052-50890	BOLT-HEX	2	M8x1.25x90
19	S4512-50080	WASHER-SPRING	6	M8
20	S4014-50080	WASHER-PLAIN	2	M8
21	S4512-50120	WASHER-SPRING	2	M12
22	S2056-50080	NUT-HEX	2	M8
23	LDL56-53101	WIRE HARNESS KIT	1	OPTION
24	0001-1012	DUST CAPS-BLACK FEMALE	2	



B1	Boom Down
A1	Boom Up
A2	Bucket Rollback
B2	Bucket Dumping

TAESUNG TAE SUNG MFG CO.,LTD.

REGISTRATION DATE: _____

WEIGHT: _____ Kg

FORMAT: A3

TOTAL: _____

CODE: _____

CHECK: _____

DESCRIPTION: REMOTE CONTROL SYSTEM ASSEMBLY

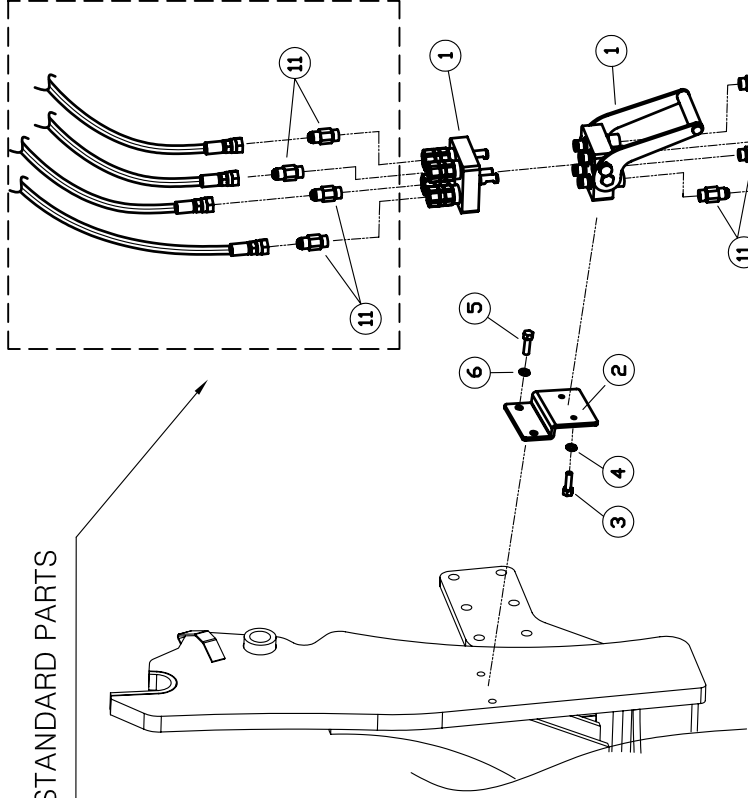
Name	Date	Signature	SCALE	PART NUMBER-REV.
Drawn by	2005. 4. 19	S D Y	N / S	LDL56-51000
Checked by				
Approved by	2005. 4. 20	J J M		

Manual Modification Not Permitted

This document is confidential and the sole property of TAESUNG. It shall neither be copied nor used in third parties without permission.

REV	MODIFICATION	DATE	DRAWN BY	CHECKED BY
0				

LOADER STANDARD PARTS



LOADER STANDARD PARTS



CONNECTING TO TRACTOR HYD. PORT

NO	PART NO	PART NAME	QTY	SPECIFICATION
1	LDL56-52101	MULTI COUPLER ASSY	1	
2	LDL56-52102	BRACKET, MULTI COUPLER	1	
3	S1052-50825	BOLT-HEX	2	M8x1.25x25
4	S4512-50080	WASHER-SPRING	2	M8
5	S1056-51230	BOLT-HEX	2	M12x1.75x30
6	S4512-50120	WASHER-SPRING	2	M12
11	6003-0408	NIPPLE	12	PT1/2, 3/4-16UNF
12	LDL56-52201	HOSE	4	
13	0001-1010	QUICK COUPLER-MALE	4	PT1/2
14	0001-1012	DUST CAPS-BLACK FEMALE	1	
15	LBL51-51557	DUST CAPS-YELLOW FEMALE	1	
16	LBL51-51555	DUST CAPS-RED FEMALE	1	
17	LBL51-51556	DUST CAPS-BLUE FEMALE	1	

DISTRIBUTION		WEIGHT		Kg	
TOTAL		FORMAT		A3	
		CODE			
REGISTRATION		CHECK			
DATE					
Name		Date		Signature	
SEO, DAE-YOUNG		2005. 4. 19		S D Y	
Drawn by		Checked by		Approved by	
				JUN, JUNG-MAH	
				2005. 4. 20	
				J J M	
TAE SUNG		TAE SUNG MFG CO.,LTD.		PART NUMBER_REV.	
LDL56-52000				N/S	
DESCRIPTION		MULTI COUPLER ASSEMBLY		SCALE	
				N/S	
				PART NUMBER_REV.	
				LDL56-52000	

REV	MODIFICATION	DATE	DRAWN BY	CHECKED BY
0				

Projection
Manual Modification Not Permitted
This document is confidential and the sole property of TAE SUNG. It shall neither be copied nor used to third parties without permission.