



our **power**, your **passion**

# NIBBI MAK 16

(ÅRG. 2009 TIL 2012)



Henrik A. Fog A/S

Lyngager 5-11

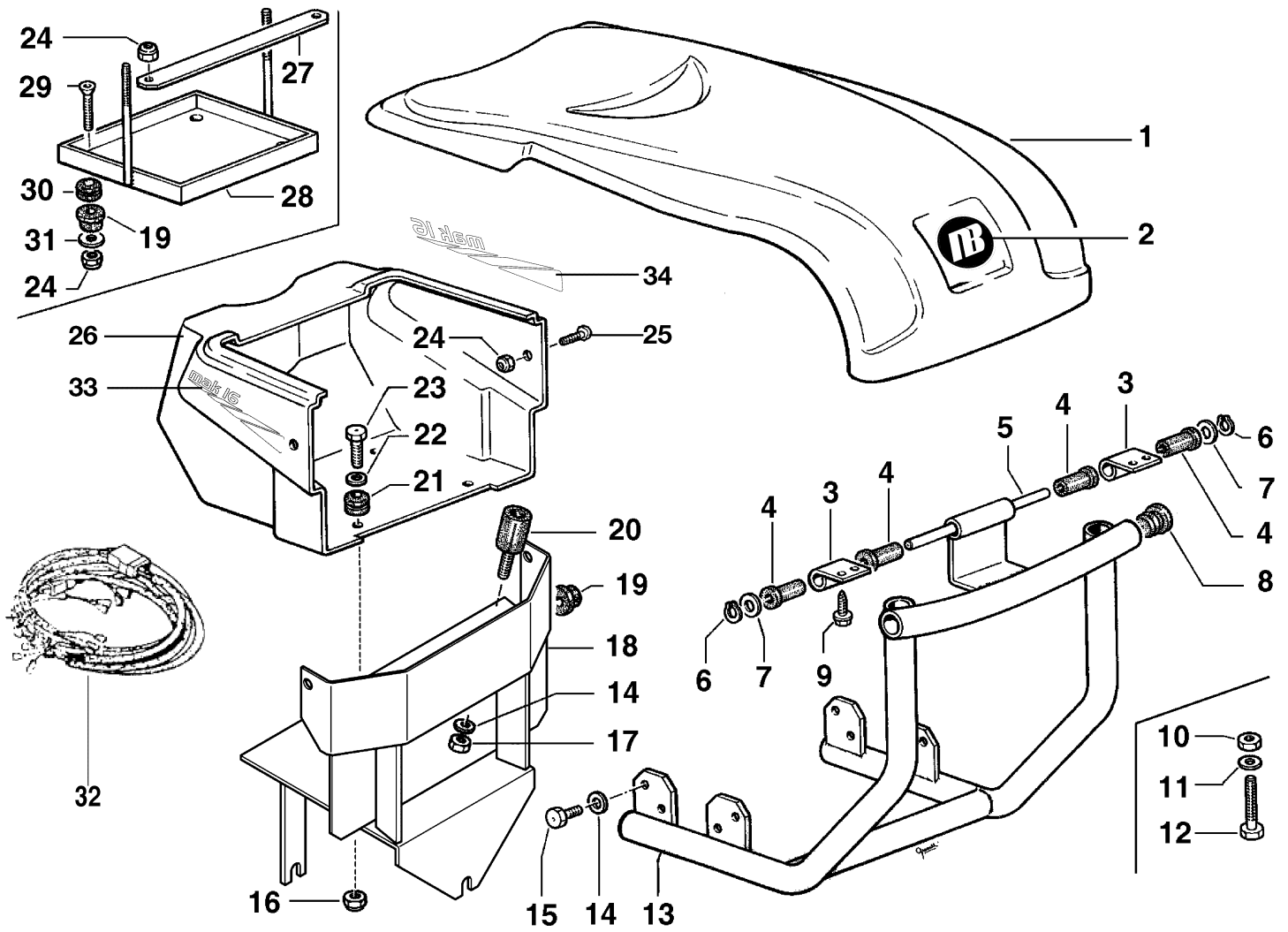
2605 Brøndby

Tel 43966611

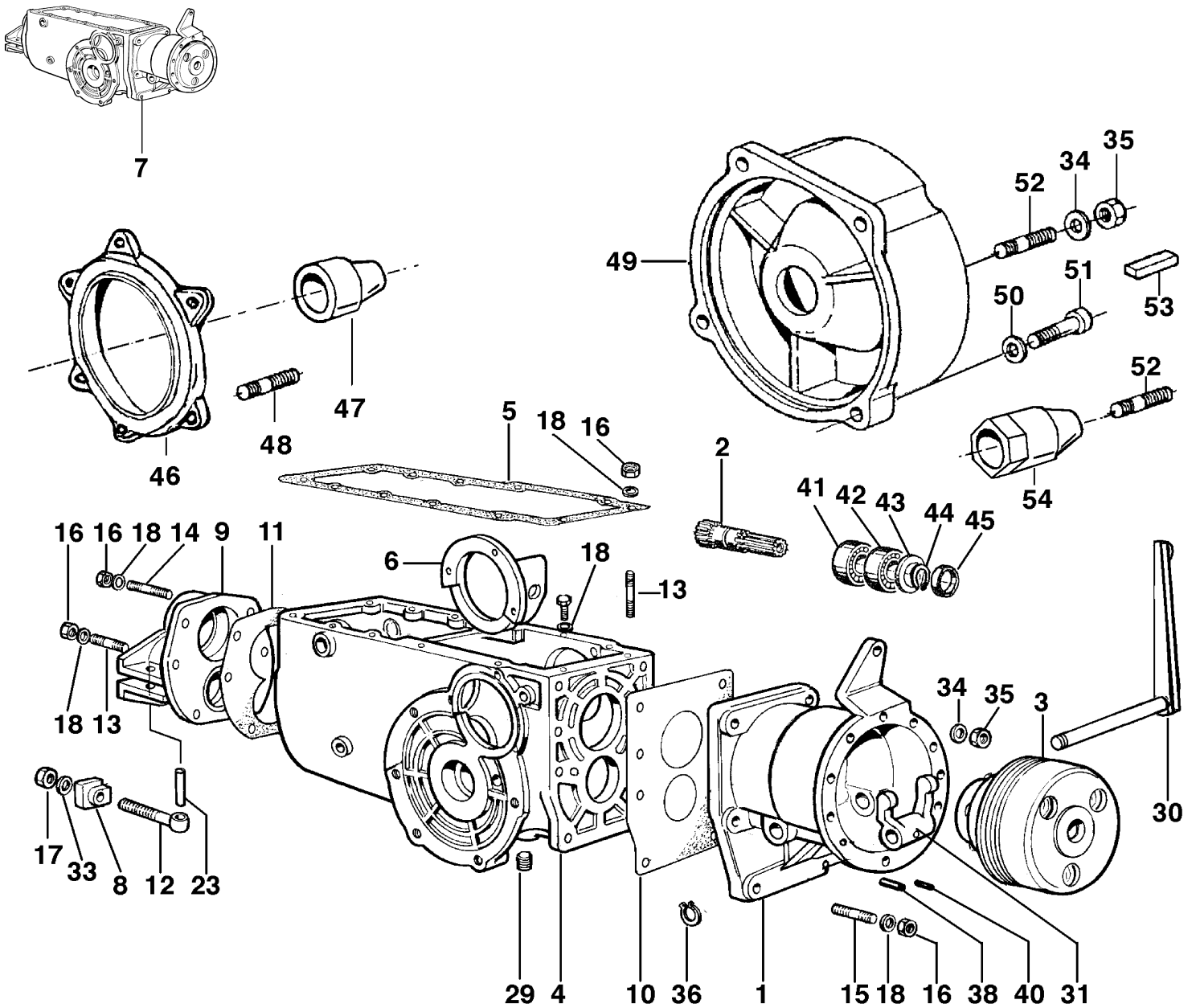
Fax 43266624

[reservedele@hafog.dk](mailto:reservedele@hafog.dk)

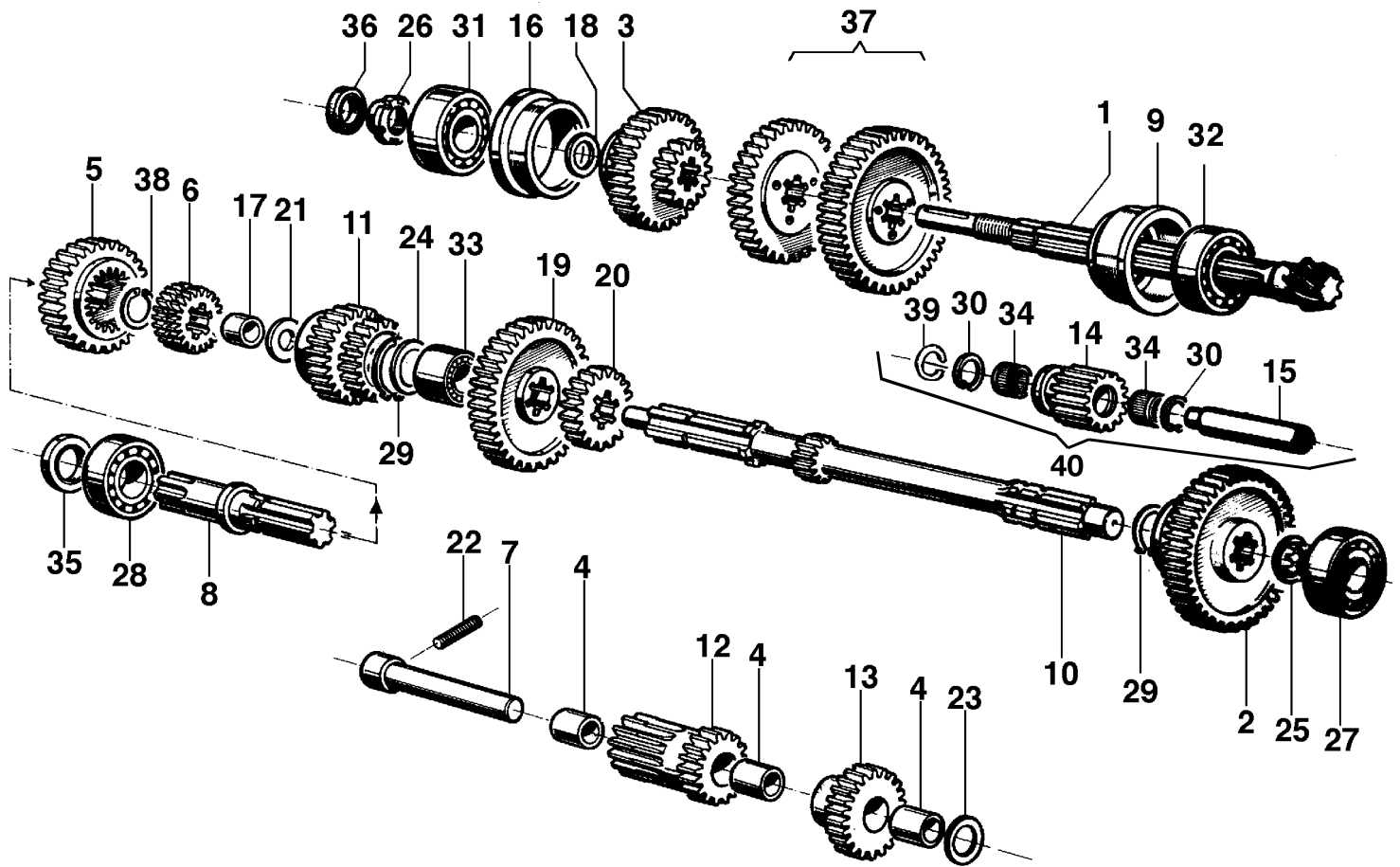
[www.hafog.dk](http://www.hafog.dk)



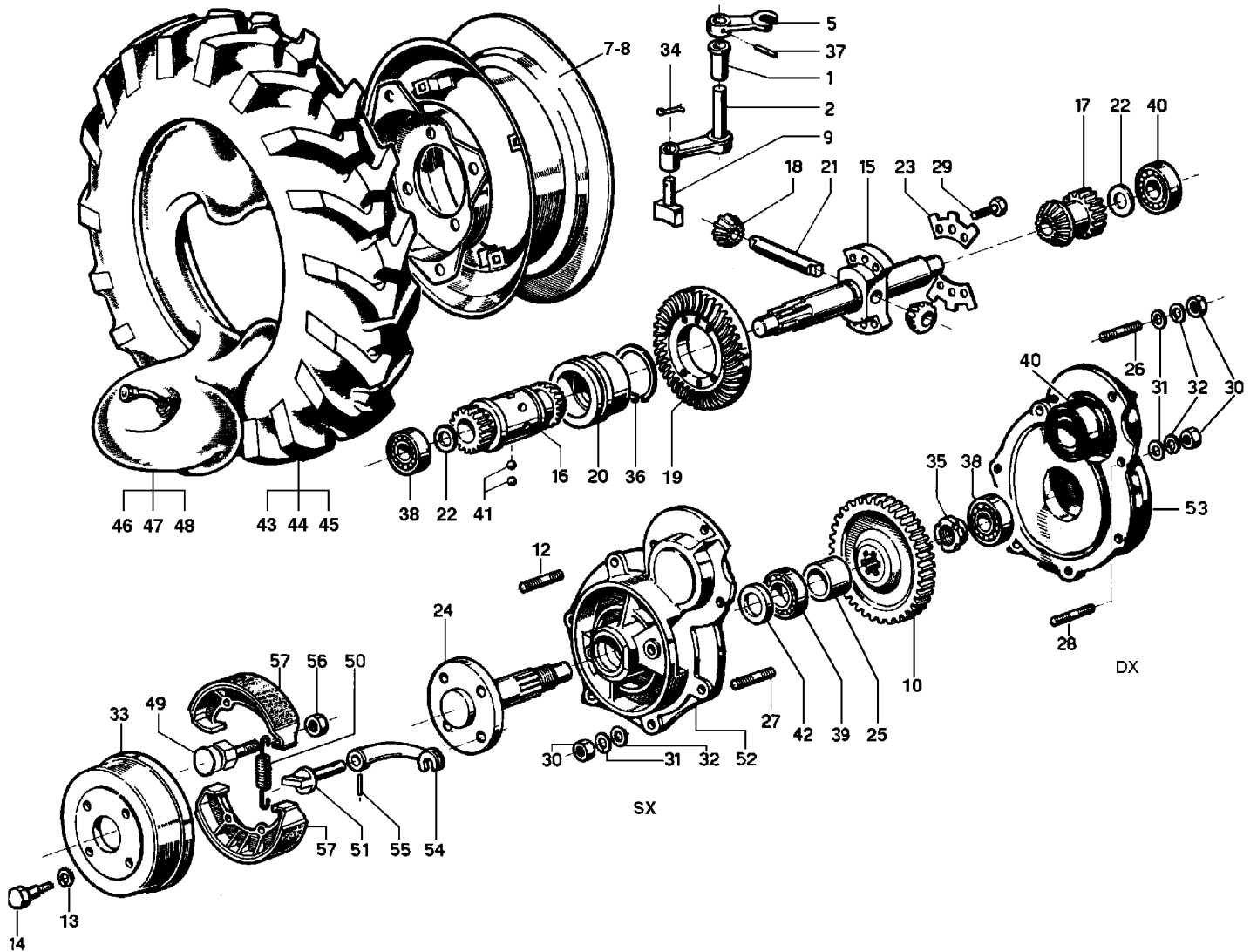
Ref.Nu	Qty	Part number	Description	Validity from	Validity till	Notes	Bulletin
1	1	68322106	Hood			Rosso; Red	
2	1	68320084	Mark			Su richiesta; Upon request	
3	1	F1292105	Support				
4	1	N0400700	Bushing				
5	1	F1292106	Pin				
6	1	N0102900	Ring				
7	1	3916010R	Washer				
8	1	N5267400	Cap				
9	1	N6243654	Screw				
10	1	3914010R	Nut				
10	1	006000091R	Nut				
11	1	3916008R	Washer				
12	1	N6294400	Screw				
12	1	N6354300	Screw				
12	1	YN6335900	Screw				
13	1	68320064	Support			15LD315; 15LD350; Grigio; Grey	
13	1	68320076	Support			IM359; Grigio; Grey	
13	1	F1292125	Support				
13	1	68320058	Support			GX160; Grigio; Grey	
13	1	F1292130	Support				
13	1	F1292136	Support				
13	1	68320057	Support			Honda GX270; Grigio; Grey	
13	1	68320066	Support			Honda GX340; Grigio; Grey	
14	1	YN4365400	Washer				
15	1	N6244800	Screw				
15	1	3806065	Screw				
16	1	3914010R	Nut				
17	1	3914006R	Nut				
18	1	68330032B	Support			15LD315; 15LD350; Grigio; Grey	
19	1	F0752170	Buffer				
20	1	F0752159	Silent block				
21	1	N0400530	Grommet				
22	1	3916008R	Washer				
23	1	3806074R	Screw				
23	1	3806067R	Screw				
24	1	3914006R	Nut				
25	1	N6218600	Screw				
26	1	68320024	Hood			Rosso; Red	
26	1	68320026	Hood			Rosso; Red	
27	1	F1292601	Main board				
28	1	68320056C	Battery casing			Grigio; Grey	
29	1	N6233000	Screw				
30	1	N0400530	Grommet				
31	1	N4362200	Washer				
32	1	F1292603	Electric starter			IM359	
32	1	F1292606	Electric starter			15LD350	
33	1	68330024	Mark			Su richiesta; Upon request; SX; LEFT	
34	1	68330023	Mark			Su richiesta; Upon request; DX; RIGHT	



Ref.Nu	Qty	Part number	Description	Validity from	Validity till	Notes	Bulletin
1	1	F1270814	Drum				
2	1	F1270813	Shaft				
3	1	F1200006	Multiple disk clutch			Ø 25.4; Honda GX270	
3	1	F1200035	Multiple disk clutch			Kohler CS10	
3	1	F1200023	Multiple disk clutch				
4	1	K4306360	Cover				
5	1	K4300320	Gasket				
6	1	K4300850	Support				
7	1	68332002R	Unit (Gear)				
8	1	YK4302510	Support				
9	1	K1100420	Support				
10	1	K1100670	Gasket				
11	1	YK1100700	Gasket				
12	1	K1100980	Screw				
13	1	N3814800	Stud				
14	1	K8233011	Stud				
15	1	N3815300	Stud				
16	1	YN1458000	Nut				
17	1	N1469200	Nut				
18	1	YN4365400	Washer				
23	1	K8503042	Pin				
29	1	K8536004	Cap				
30	1	F1271632	Pin and rod				
31	1	F1271602	Clip				
33	1	N4390150	Washer				
34	1	3916008R	Washer				
35	1	320000028R	Nut				
36	1	3024014R	Seeger				
38	1	YN5117300	Pin				
40	1	N5104000	Pin				
41	1	N1259200	Bearing				
42	1	N1259400	Bearing				
43	1	N5002650	Washer				
44	1	YN0112700	Seeger				
45	1	N0205850	Ring				
46	1	F1210001	Spacer			15LD350	
47	1	F1210002	Spacer			15LD350	
48		-	Not available for this product				
49	1	68320117	Flange			15LD440; 15LD400	
50	1	YN4376400	Washer				
51	1	N6309790	Screw				
51	1	N6309800	Screw				
52	1	N3812500	Stud			Honda GX270	
52	1	N3815300	Stud				
53	1	N0648090	Key				
54	1	F1290007	Spacer				

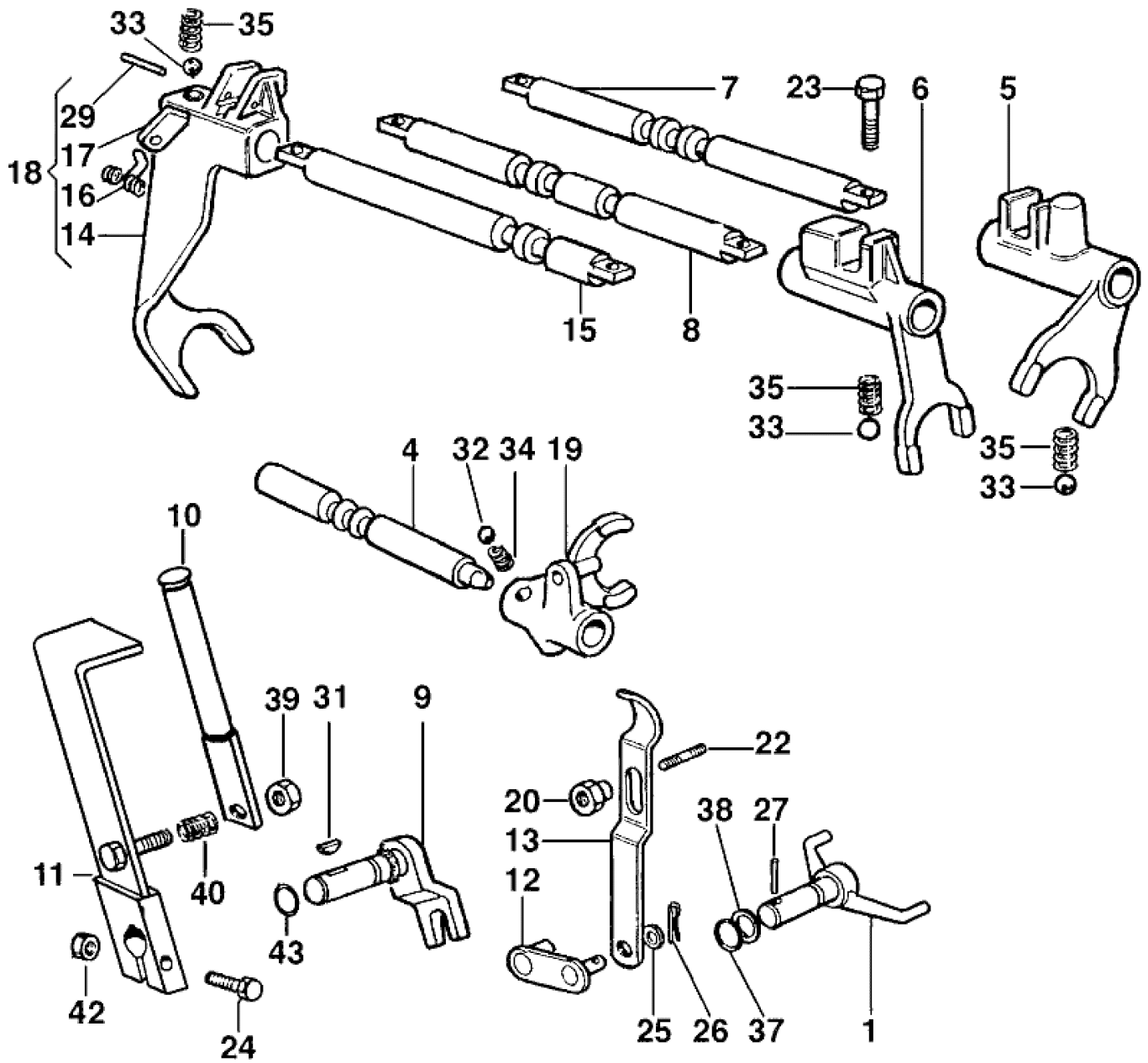


Ref.Nu	Qty	Part number	Description	Validity from	Validity till	Notes	Bulletin
1	1	K4303540	Rim			Coppia conica K4303540; Bevel gear K4303540	
2	1	YK4300890	Gear				
3	1	K4301230	Gear				
4	1	K4301260	Bushing				
5	1	K4301280	Idler gear				
6	1	K4301290	Gear				
7	1	K4302050	Shaft				
8	1	YK4301330	Shaft				
9	1	K1100310	Bushing				
10	1	K4301720	Shaft				
11	1	K4301710	Gear				
12	1	K4301570	Gear				
13	1	K4301580	Gear				
14	1	F1360802	Idler gear				
15	1	K4306760	Pin				
16	1	K4301340	Bushing				
17	1	K1100390	Bushing				
18	1	K1101020	Ring				
19	1	K1200060	Gear				
20	1	K1200070	Gear				
20	1	K1700170	Gear			FOG	
21	1	K1200180	Washer				
22	1	N6271400	Screw				
23	1	K4303760	Spacer				
24	1	K8491033	Washer				
25	1	K8491024	Washer				
26	1	K7544001	Ring nut				
27	1	N1264600	Bearing				
28	1	YN1270701	Bearing				
29	1	YN0118500	Seeger				
30	2	K7009001	Ring				
31	1	N1265800	Bearing				
32	1	N1270810	Bearing				
33	1	K7252013	Bearing				
34	2	028200023R	Roller cage				
35	1	N0209200	Ring				
36	1	K7032068	Ring				
37	1	K1200040	Gear				
37	1	K1700180	Gear			FOG	
38	1	K7011001	Ring				
39	1	N0109900	Ring				
40	1	R0000158	Unit (Inverter)				

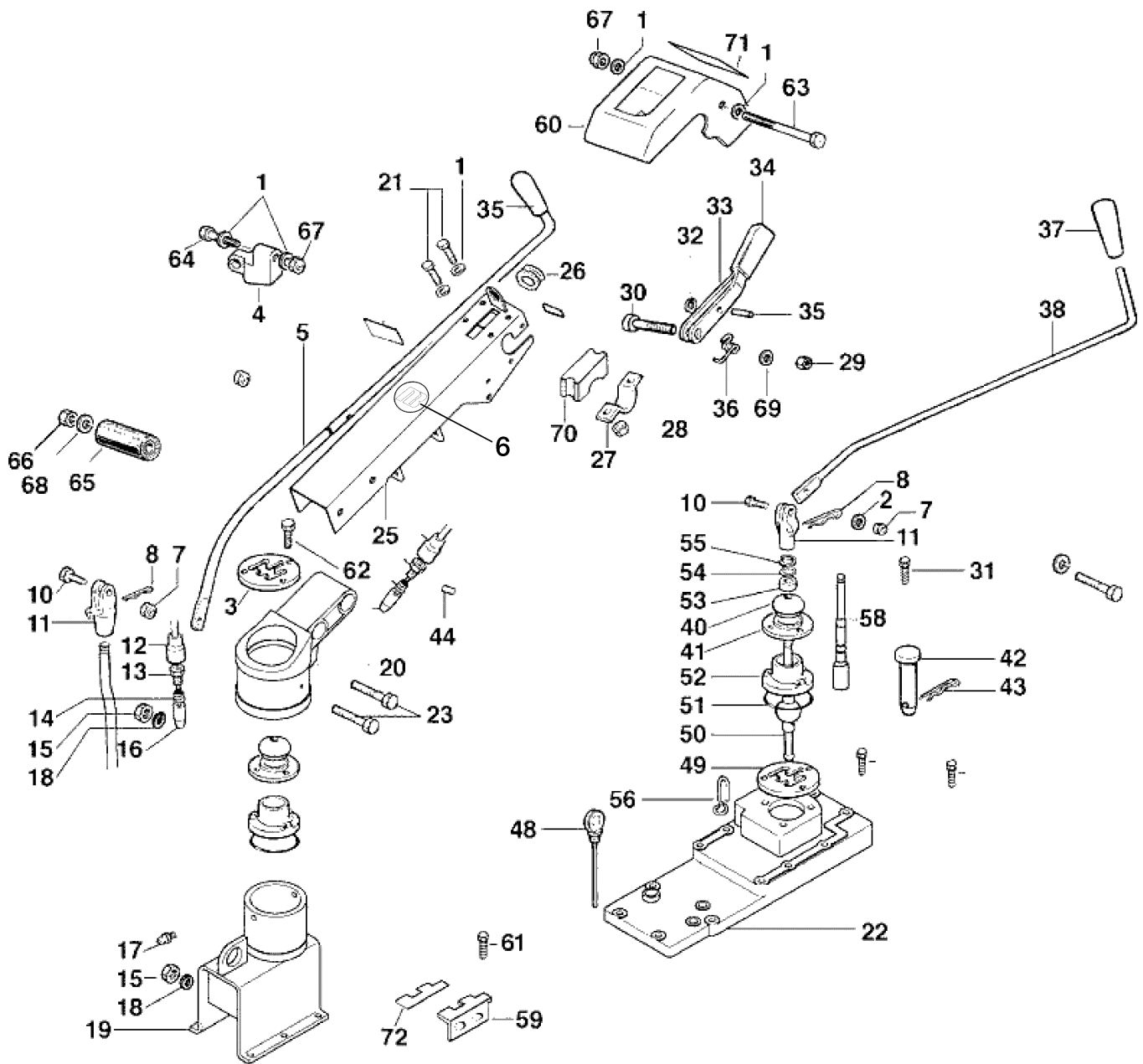




Ref.Nu	Qty	Part number	Description	Validity from	Validity till	Notes	Bulletin
1	1	K4800320	Tube				
2	1	K4800330	Rod				
5	1	K4800360	Lever				
7	1	69200014	Rim			3.00-10"; Grigio; Grey	
7	1	69200028	Rim			5.00-12"; Grigio; Grey	
7	1	69200029	Rim			6.5/80-12	
8		-	Not available for this product				
9	1	K4301640	Control				
10	1	K1700700	Gear				
12	1	N3814800	Stud				
13	1	YN4390600	Washer				
14	1	N6368550	Screw				
15	1	K1200710	Shaft				
16	1	K1200720	Gear				
17	1	K1200730	Gear				
18	1	K1200740	Gear				
19	1	K4303540	Rim			Coppia conica K4303540; Bevel gear K4303540	
20	1	K1200760	Bushing				
21	1	K1200770	Piston pin				
22	1	K8491018	Washer				
23	1	K1200800	Plate				
24	1	F1360200	Axle shaft				
25	1	K1700710	Spacer				
26	1	K8231003	Stud				
27	1	K8233011	Stud				
28	1	N3815300	Stud				
29	1	N6262100	Screw				
30	1	YN1458000	Nut				
31	1	3819013R	Grower				
32	1	3916008R	Washer				
33	1	N2382700	Cable reel				
34	1	K7231001	Cotter pin				
35	1	N2102100	Ring nut				
36	1	N0135300	Seeger				
37	1	N5115000	Cotter pin				
38	1	N1259400	Bearing				
39	1	N1274500	Bearing				
40	1	K7244004	Bearing				
41	1	N4743200	Ball				
42	1	K7033004	Ring				
43	1	N4853500	Tire			5.00-10	
44	1	N4853800	Cover			5.00-12	
45	1	N4860600A	Cover			6.5/80-12	
46	1	YN4882500	Inner tube			5.00-10	
47	1	N4883200	Inner tube			5.00-12	
48	1	N4888200	Inner tube			6.5/80-12	
49	1	F1360201	Pin				
50	1	YN3105100	Spring				
51	1	F1360202	Pin			DX; RIGHT	
51	1	F1360203	Pin			SX; LEFT	
52	1	F1360206	Cover				
53	1	F1360205	Cover				
54	1	K0104860	Lever				
55	1	YN5117300	Pin				
56	1	N1474600	Nut				
57	1	YN2362700	Brake shoe				

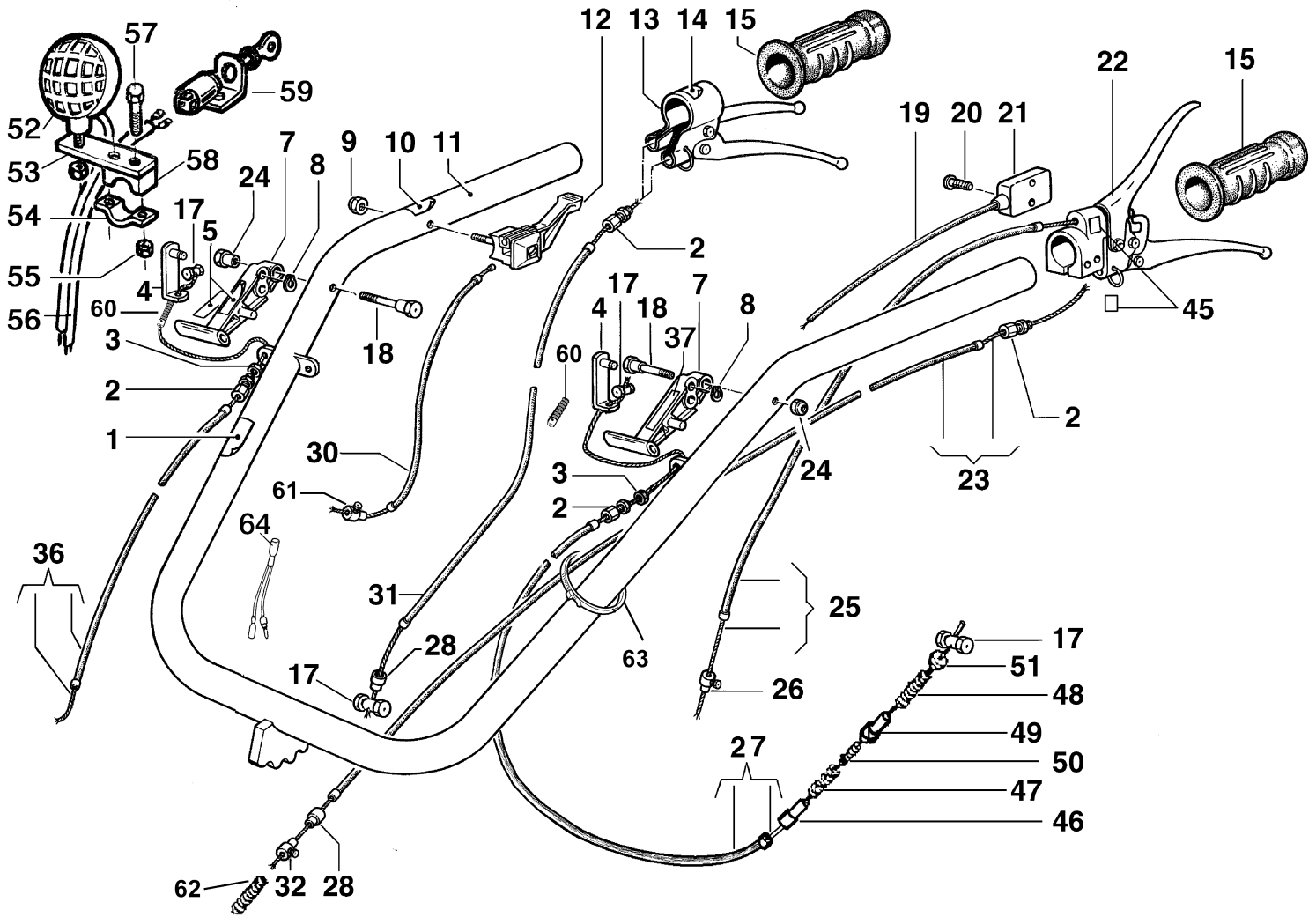


Ref.Nu	Qty	Part number	Description	Validity from	Validity till	Notes	Bulletin
1	1	K4300940	Fork				
4	1	K4301300	Pin				
5	1	K4301360	Yoke				
6	1	K4301370	Yoke				
7	1	K4301390	Pin				
8	1	K4301400	Pin				
9	1	K4301460	Fork				
10	1	F1361620	Lever				
11	1	F1361619A	Control				
12	1	K4301540	Lever				
13	1	K4301550	Lever extension				
14	1	K4301590	Yoke				
15	1	K4301600	Pin				
16	1	K4301650	Spring				
17	1	K4301660	Insert				
18	1	K4301670	Clip				
19	1	K1200250	Yoke				
20	1	K1200360	Nut				
22	1	K8233001	Stud				
23	1	N6254500	Screw				
24	1	YN6234500	Screw				
25	1	N4369300	Washer				
26	1	K7231001	Cotter pin				
27	1	N5113800	Pin				
29	1	N5115600	Elastic pin				
31	1	N0643000	Key				
32	1	YN4742100	Ball				
33	1	N4743200	Ball				
34	1	K7903002	Spring				
35	1	K7903003	Spring				
37	1	N0305600	O-ring				
38	1	N5001700	Washer				
40	1	YN3111500	Spring				
42	1	3914008R	Nut				
43	1	YN0305800	Gasket				



Ref.Nu	Qty	Part number	Description	Validity from	Validity till	Notes	Bulletin
1	1	3916008R	Washer				
2	1	K8401029	Washer				
3	1	F1361623	Indicator				
3	1	F1361625	Indicator			FOG	
4	1	F1255009B	Support				BT12-001-10/09
5	1	F1361622	Control rod				
6	1	68330020	Mark			Su richiesta; Upon request	
7	1	3914008R	Nut				
8	1	N5113800	Pin				
10	1	3906016	Screw				
11	1	K0501070	Bushing				
12	1	K3503090	Guard				
13	1	K3502660	Cap				
14	1	N3109400	Spring				
15	1	3914010R	Nut				
16	1	F1361610	Shutter				
17	1	58040180R	Nipple				
18	1	3916010R	Washer				
19	1	68330041	Column support (Set)			Grigio; Grey	
20	1	68330043	Grip-end			Rosso; Red	
21	1	N6289250	Screw				
22	1	F1360800	Cover				
23	1	N6411100	Screw				
25	1	68330045	Handlebar rod				
26	1	YK2203010	Grommet				
27	1	YF1151601	Clamp				
28	1	N1458800	Nut				
29	1	3914014R	Nut				
30	1	N6363500	Screw				
31	1	3806067R	Screw				
32	1	N0102900	Ring				
33	1	F1361614	Lever				
34	1	YN2840480	Knob				
35	1	YN3753600	Knob				
36	1	YF1291634B	Spring				
37	1	K8211007	Grip				
38	1	F1361612	Control rod				
40	1	K2201420	Cap				
41	1	K4301440	Guard cap				
42	1	K1200420	Piston pin				
43	1	YN5150800	Cotter pin				
44	-	-	Not available for this product				
48	1	K4304320A	Rod				
49	1	F1360801	Selector switch (Gear-shift lever)				
50	1	F1361601	Lever				
51	1	K7035028	O-ring				
52	1	K1200260	Cover				
53	1	K0105000	Valve				
54	1	K8401029	Washer				
55	1	K7002003	Ring				
56	1	F1271626	Slide				
58	1	F1361604	Lever				
59	1	F1361621	Selector switch				
60	1	68330040	Upper cover			Grigio; Grey	
61	1	YN6247400	Screw				
62	1	3901062R	Screw				
63	1	N6307900	Screw				
64	1	3806067R	Screw				
65	1	N4924250	Silent block				
66	1	N1470500	Nut				
67	1	3914010R	Nut				
68	1	N4384360	Washer				
69	1	3916010R	Washer				
70	1	F1181646	Support				

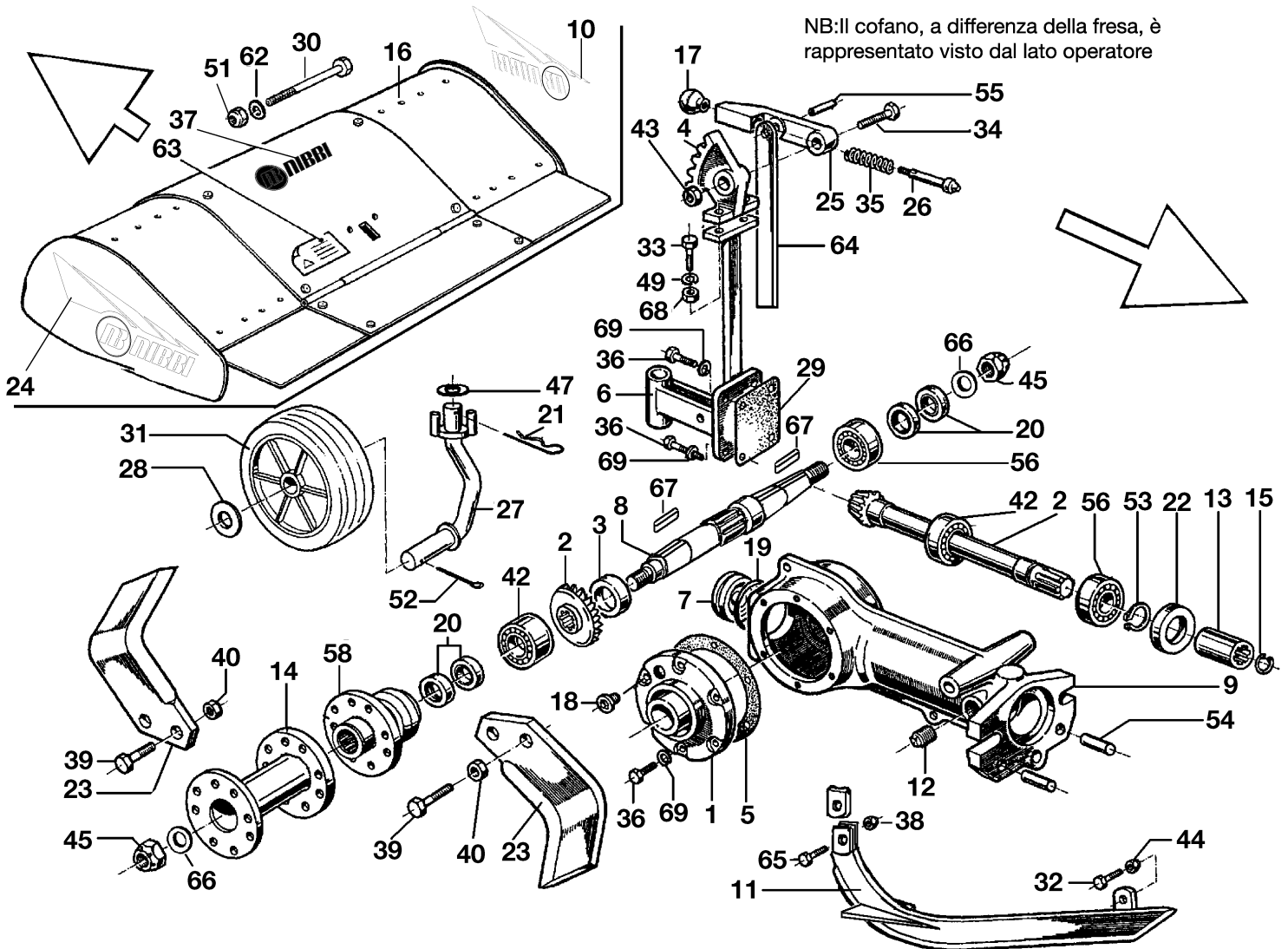
71	1	F1361627	Mark	Su richiesta; Upon request
71	1	F1361628	Mark	Su richiesta; Upon request; FOG
72	1	F1361626	Mark	Su richiesta; Upon request



Ref.Nu	Qty	Part number	Description	Validity from	Validity till	Notes	Bulletin
1	1	YN5380870	Mark (Instruction)			Su richiesta; Upon request	
2	1	YN5801000	Adjuster assy				
3	1	3911008R	Nut				
4	1	F1291619	Bracket				
5	1	F1271615	Mark			Su richiesta; Upon request	
7	1	F1291614	Lever				
8	1	N1734000	Ring				
9	1	3914006R	Nut				
10	1	YN5380805	Mark (Accelerator)			Su richiesta; Upon request	
11	1	68330110	Complete handle			Grigio; Grey	
12	1	YN2803660	Fuel control				
13	1	N2806200	Handle				
14	1	YN5380665	Mark (Brake)			Su richiesta; Upon request	
15	1	YN2847300	Knob				
17	1	N5901500	Clamp				
18	1	F1291615	Pin				
19	1	K4801060	Cable				
20	1	N6182150	Screw				
21	1	N2542360	Switch				
22	1	N2806110	Handle				
23	1	N5499701	Transmission				
24	1	3914010R	Nut				
25	1	N5471700	Transmission				
26	1	YN5901000	Clamp				
27	1	N5489600	Transmission				
28	1	N5852100A	Clamp				
30	1	N5466100	Transmission				
31	1	N5467260	Transmission				
32	1	YN5901600	Clamp				
36	1	N5481100	Transmission				
37	1	F1291649	Mark			Su richiesta; Upon request	
45	1	YN5380660	Mark (Clutch)			Su richiesta; Upon request	
46	1	YK1101850	Spring holder				
47	1	K7903018	Spring				
48	1	K7903021	Spring				
49	1	K4300670	Valve				
50	1	K7903004	Spring				
51	1	K4300680	Valve				
52	1	N2509050	Headlamp				
53	1	68330003	Main board			Grigio; Grey	
54	1	YF1151601	Clamp				
55	1	320000028R	Nut				
56	1	K4806740	Cable				
57	1	3806077	Screw				
58	1	F1181646	Support				
59	1	K4806800	Bracket				
60	1	YF1370387	Guard				
61	1	YN5901000	Clamp				
62	1	N3105800	Spring				
63	1	K7451002	Band				
64	1	68320169	Cable	SN B310501526		Per motori Honda GX270; Honda GX340 versioni T2; For Honda GX270; 06/12 Honda GX340 engine versions T2	BT12-005-



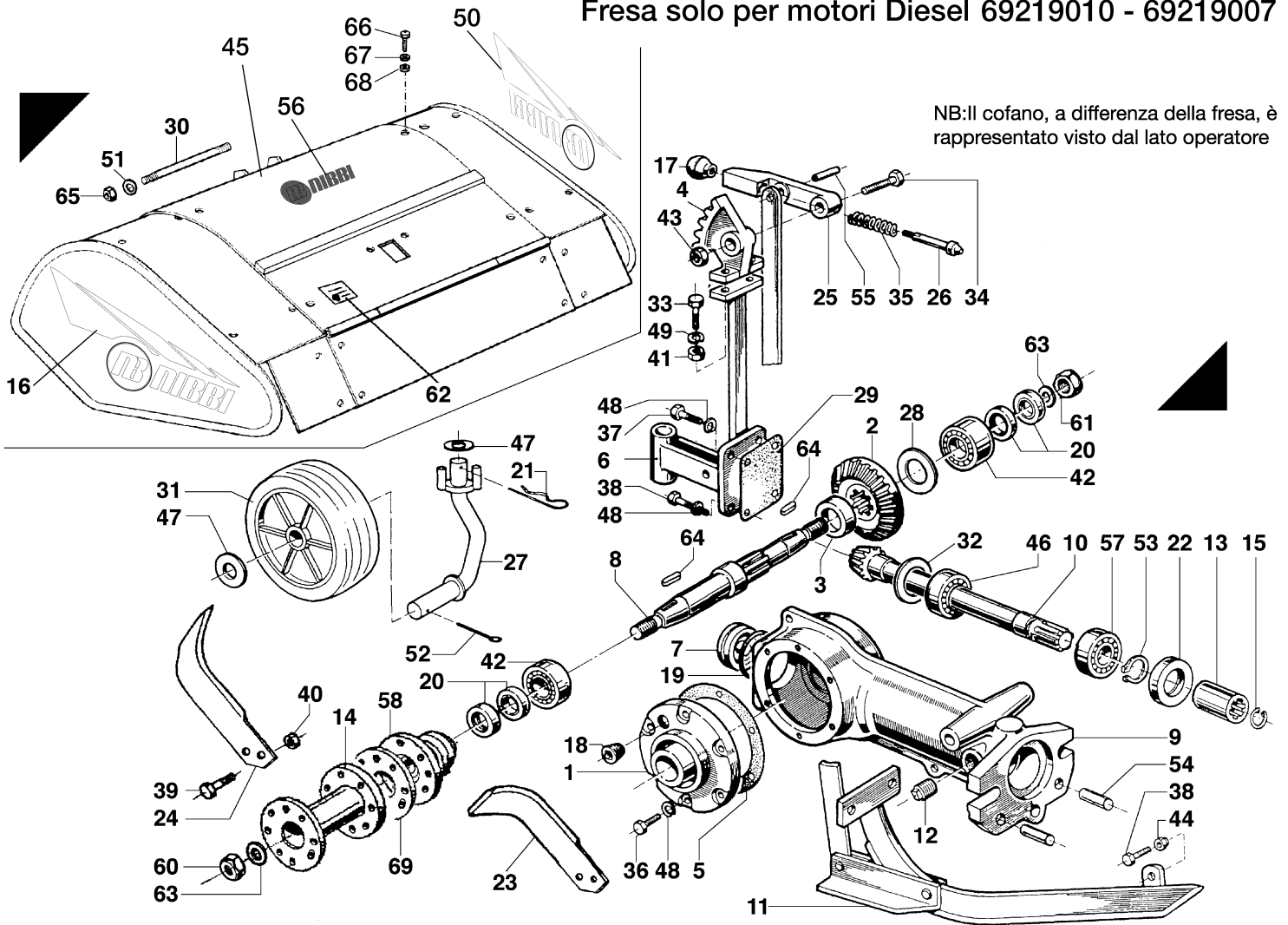
69219013 - 69219008 - 69219012



Ref.Nu	Qty	Part number	Description	Validity from	Validity till	Notes	Bulletin
1	1	K1101060	Cover				
2	1	K4806930	Set bevel gear				
3	1	K4801310	Spacer				
4	1	K4302350	Sector				
5	1	K1101100	Gasket				
6	1	K4808008	Support (Wheel)				
7	1	K4302520	Cap				
8	1	K4808060	Shaft				
9	1	K1101070	Arm				
10	1	68330029	Mark			Su richiesta; Upon request; DX; RIGHT	
11	1	F0015613	Cutter tool				
12	1	K8535002	Cap				
13	1	K1101080	Joint				
14	1	69210038	Spacer				BT12-002- 11/10
15	1	028200019	Ring				
16	1	PA001873	Hood			60+40 cm; Rosso; Red	
16	1	PA001872	Hood			70+60 cm; Rosso; Red	
16	1	PA001860	Hood			80+60 cm; Rosso; Red	
17	1	K8211001	Knob				
18	1	K8536002	Cap				
19	1	K7035045	O-ring				
20	1	N0209200	Ring				
21	1	N1054500	Cotter pin				
22	1	N0210045	Ring				
23	1	R0000138	Cutters kit			Per fresa 70 cm, kit composto da: F0015602, DX, 10pz + F0015603, SX, 10pz; For tiller 70 cm, set composed by: F0015602, RIGHT, 10pcs + F0015603, LEFT, 10pcs	
24	1	68330030	Mark			Su richiesta; Upon request; SX; LEFT	
25	1	K22035508	Lever				
26	1	K2203560	Piston pin				
27	1	K3501830	Support				
28	1	3916020	Washer				
29	1	K1101230	Gasket				
30	1	N6417235	Screw				
31	1	K1102480	Wheel				
32	1	3806067R	Screw				
33	1	YN6335900	Screw				
34	1	N6399710	Screw				
35	1	K7903026	Spring				
36	1	N6254500	Screw				
37	1	68610007	Mark			Su richiesta; Upon request	
38	1	N1458800	Nut				
39	1	N6262100	Screw				
39	1	N6274000	Screw				
40	1	N1463500	Nut	06/2009			
42	1	N1270751	Bearing				
43	1	K7272009	Nut				
44	1	K7275003	Nut				
45	1	N1482500	Nut			DX; RIGHT	
45	1	N1482600	Nut			SX; LEFT	
47	1	3916020	Washer				
49	1	3819014R	Grower				
51	1	YN1470200	Nut				
52	1	YN1060200	Cotter pin				
53	1	YN0118500	Seeger				
54	1	K8504014	Pin				
55	1	K8503039	Pin				
56	1	YN1270701	Bearing				
58	1	K4808050	Support				
62	1	3916012	Washer				
63	1	F0015577	Mark (Danger)			Su richiesta; Upon request	
64	1	F0015612	Rod				
65	1	3806065	Screw				

66	1	N4418000	Washer
67	1	YN0652200	Key
68	1	N1464600	Nut
69	1	N4364350	Washer

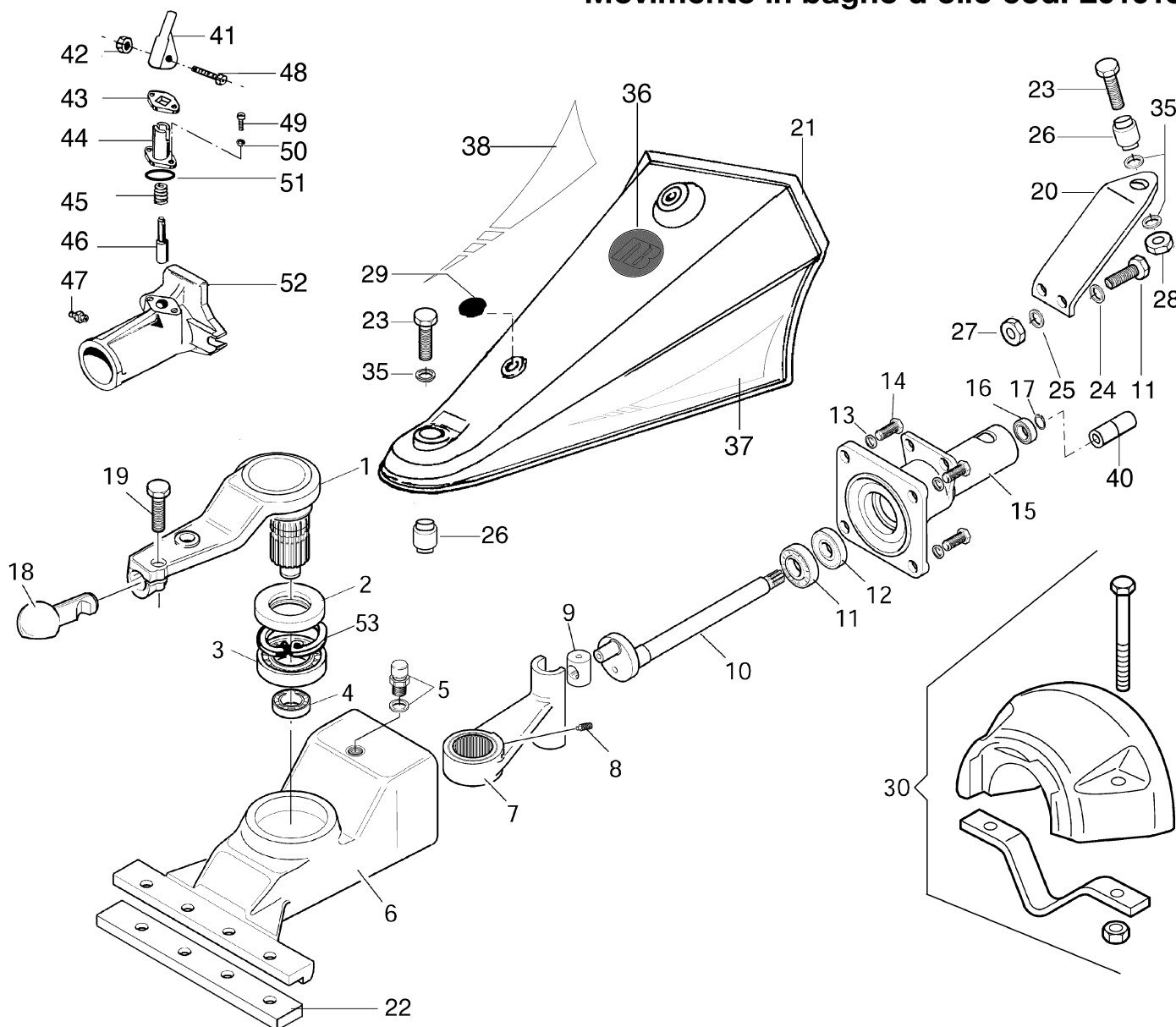
Fresa solo per motori Diesel 69219010 - 69219007



Ref.Nu	Qty	Part number	Description	Validity from	Validity till	Notes	Bulletin
1	1	K4302260	Cover				
2	1	K4302290	Rim			Coppia conica K4303570; Bevel gear K4303570	
3	1	K4302320	Spacer				
4	1	K4302350	Sector				
5	1	K4302360	Gasket				
6	1	K4308006	Support				
7	1	K4302520	Cap				
8	1	K4308040	Shaft				
9	1	K4302640	Arm				
10	1	K4303570	Sprocket			Coppia conica K4303570; Bevel gear K4303570	
11	1	K4308060	Plough				
12	1	K8535002	Cap				
13	1	K1101080	Joint				
14	1	YF0013006G	Spacer			16 coltelli; 16 knives	BT12-002-11/10
14	1	YF0016811D	Spacer			20 coltelli; 20 knives	BT12-002-11/10
15	1	028200019	Ring				
16	1	68330030	Mark			Su richiesta; Upon request; SX; LEFT	
17	1	K8211001	Knob				
18	1	K8536002	Cap				
19	1	K7035045	O-ring				
20	1	K7032029	Ring				
21	1	N1054500	Cotter pin				
22	1	N0210045	Ring				
23	1	R0000133	Cutters kit			Kit composto da: F0013014, DX, 10pz + F0013015, SX, 10pz; Set composed by: F0013014, RIGHT, 10pcs + F0013015, LEFT, 10pcs; Fresa a 16 coltelli; 16 knives tiller	
23	1	R0000134	Cutters kit			Kit composto da: F0016812, DX, 10pz + F0016813, SX, 10pz; Set composed by: F0016812, RIGHT, 10pcs + F0016813, LEFT, 10pcs; Fresa a 20 coltelli; 20 knives tiller	
24	1	R0000133	Cutters kit			Kit composto da: F0013014, DX, 10pz + F0013015, SX, 10pz; Set composed by: F0013014, RIGHT, 10pcs + F0013015, LEFT, 10pcs; Fresa a 16 coltelli; 16 knives tiller	
24	1	R0000134	Cutters kit			Kit composto da: F0016812, DX, 10pz + F0016813, SX, 10pz; Set composed by: F0016812, RIGHT, 10pcs + F0016813, LEFT, 10pcs; Fresa a 20 coltelli; 20 knives tiller	
25	1	K2203550B	Lever				
26	1	K2203560	Piston pin				
27	1	K3501830	Support				
28	1	K8491044	Washer				
29	1	K1101230	Gasket				
30	1	N6417237	Screw				
31	1	K1102480	Wheel				
32	1	K8491030	Washer				
33	1	YN6335900	Screw				
34	1	N6399710	Screw				
35	1	K7903026	Spring				
36	1	YN6255400	Screw				
37	1	N6262100	Screw				
38	1	3806067R	Screw				
39	1	N6325300	Screw				
39	1	N6332200	Screw				
39	1	N6335800	Screw				
40	1	N1463500	Nut	06/2009			
41	1	N1464600	Nut				
42	1	N1277001	Bearing				
43	1	K7272009	Nut				
44	1	N1458800	Nut				

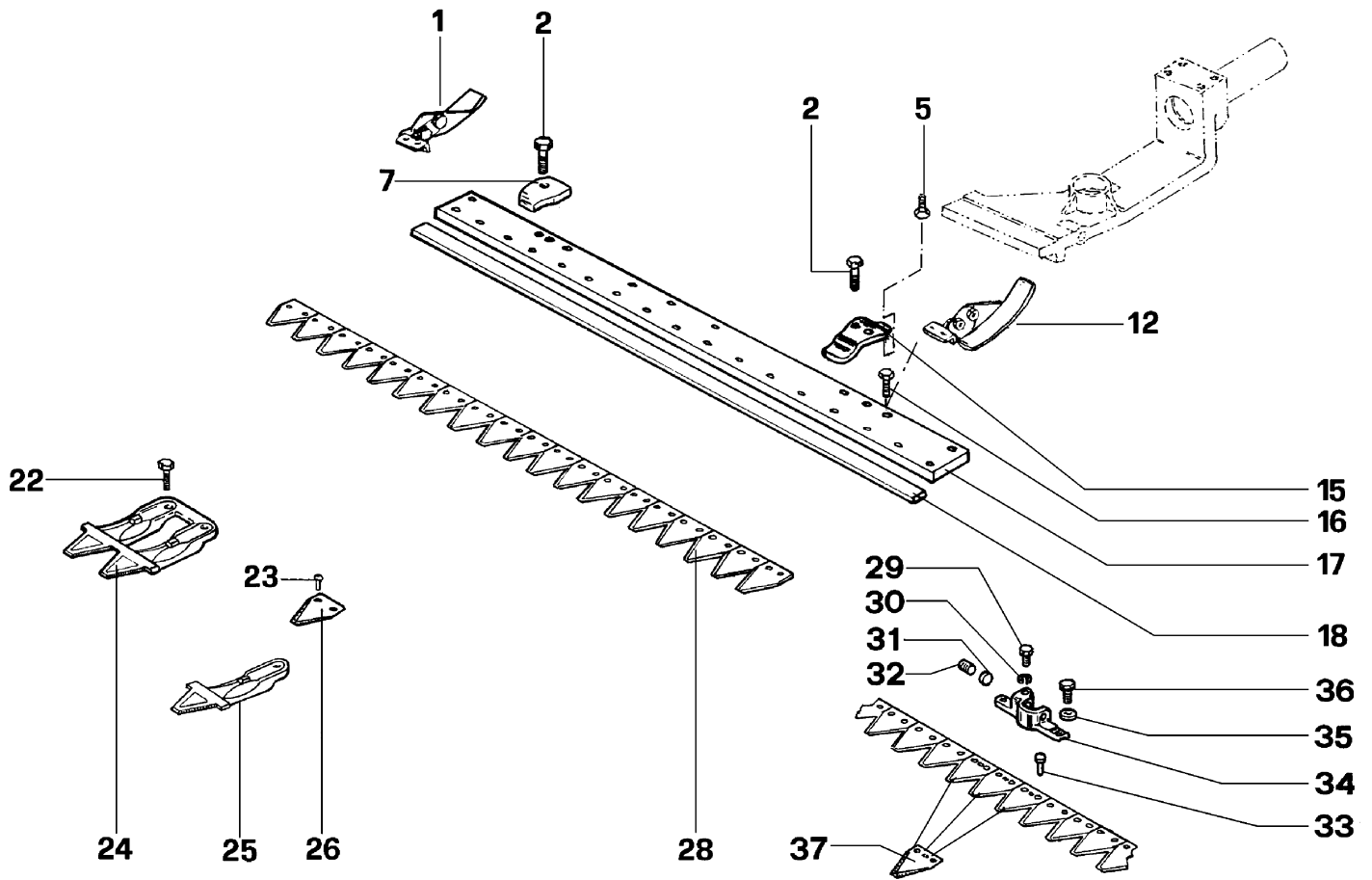
45	1	PA002064	Hood	80-45 cm; Rosso; Red
46	1	K7245001	Bearing	
47	1	3916020	Washer	
48	1	N4364350	Washer	
48	1	YN4379800	Washer	
49	1	3819014R	Grower	
50	1	68330029	Mark	Su richiesta; Upon request; DX, RIGHT
51	1	3916012	Washer	
52	1	YN1060200	Cotter pin	
53	1	YN0118500	Seeger	
54	1	K8504014	Pin	
55	1	K8503039	Pin	
56	1	68610007	Mark	Su richiesta; Upon request
57	1	YN1270701	Bearing	
58	1	F0013010	Support	
60	1	N1482600	Nut	
61	1	N1482500	Nut	
62	1	F0015577	Mark (Danger)	Su richiesta; Upon request
63	1	N4418000	Washer	
64	1	YN0652200	Key	
65	1	YN1470200	Nut	
66	1	3806063	Screw	
67	1	3916009	Washer	
68	1	320000028R	Nut	
69	1	F0016840	Flange	

### Movimento in bagno d'olio cod. L0101500



Ref.Nu	Qty	Part number	Description	Validity from	Validity till	Notes	Bulletin
1	1	F1303156	Connecting rod				
2	1	YN0222805	Ring				
3	1	N1289200	Bearing				
4	1	YN1263701	Bearing				
5	1	K4101420	Cap				
6	1	F1303100	Housing				
7	1	F1303102	Connecting rod				
8	1	N6251000	Screw				
9	1	F1303106	Switch				
10	1	F1303108	Shaft				
11	1	N1272501	Bearing				
12	1	N0210045	Ring				
13	1	3819014R	Grower				
14	1	3806094R	Screw				
15	1	F1303101	Cover				
16	1	YN1263201	Bearing				
17	1	3024020R	Seeger				
18	1	F1303155	Pin				
19	1	3806094R	Screw				
20	1	F1303128	Support				
21	1	F1303136	Hood				
22	1	L0081100	Washer			Utilizzare con ruote > 4.00/5.00-10"; Use with wheels > 4.00/5.00-10	
23	1	N6399710	Screw				
24	1	3819013R	Grower				
25	1	3916008R	Washer				
26	1	N4924000	Silent block				
27	1	320000028R	Nut				
28	1	YN1470200	Nut				
29	1	N5265900	Cap				
30	1	L0105700	Set (Counterweight) Oil bath movement				
35	1	3916012	Washer				
36	1	68250018	Label				
37	1	68910014	Mark			Su richiesta; Upon request; SX; LEFT	
38	1	68910015	Mark			Su richiesta; Upon request; DX; RIGHT	
40	1	F1303111	Sleeve				
41	1	F1294700	Lever				
42	1	3914008R	Nut				
43	1	F1294701	Plate				
44	1	F1294702	Slide				
45	1	N3118700	Spring				
46	1	F1054710	Shutter				
47	1	N2605600	Nipple				
48	1	3801027R	Screw				
49	1	3801022	Screw				
50	1	YN4358110	Washer				
51	1	N0317600	O-ring				
52	1	F1303110	Flange				
53	1	N0140800	Seeger				





Ref.Nu	Qty	Part number	Description	Validity from	Validity till	Notes	Bulletin
1	1	F1303153	Sliding block				
2	1	YN6332800	Screw				
5	1	N6245800	Screw				
7	1	F0582687	Plate				
12	1	F1303153	Sliding block				
15	1	F1113112	Press blade (Long)				
16	1	N6321250	Screw				
17	1	F1303117	Plate			1150 mm	
17	1	F1303118	Plate			1270 mm	
18	1	F0591593	Slide			1270 mm	
18	1	F0712031	Slide			1150 mm	
22	1	N6322000	Screw				
23	1	YN0886600	Rivet				
24	1	F1113114	Tooth (Double)				
25	1	F1113114	Tooth (Double)				
26	1	F1073216R	Blade				
28	1	F1073276	Blade			1150 mm SP	
28	1	F1073277	Blade			1270 mm SP	
29	1	YN6262200	Screw				
30	1	3819013R	Grower				
31	1	YF1073364	Valve				
32	1	N6433900	Screw				
33	1	F1073261	Rivet				
34	1	F1073363B	Clutch driver			Per barra SP; For SP bar	
35	1	3819013R	Grower				
36	1	3806063	Screw				
37	1	F1073273	Blade				