



our **power**, your **passion**

NIBBI MAK 4

(ÅRG. 2009 TIL 2012)



Henrik A. Fog A/S

Lyngager 5-11

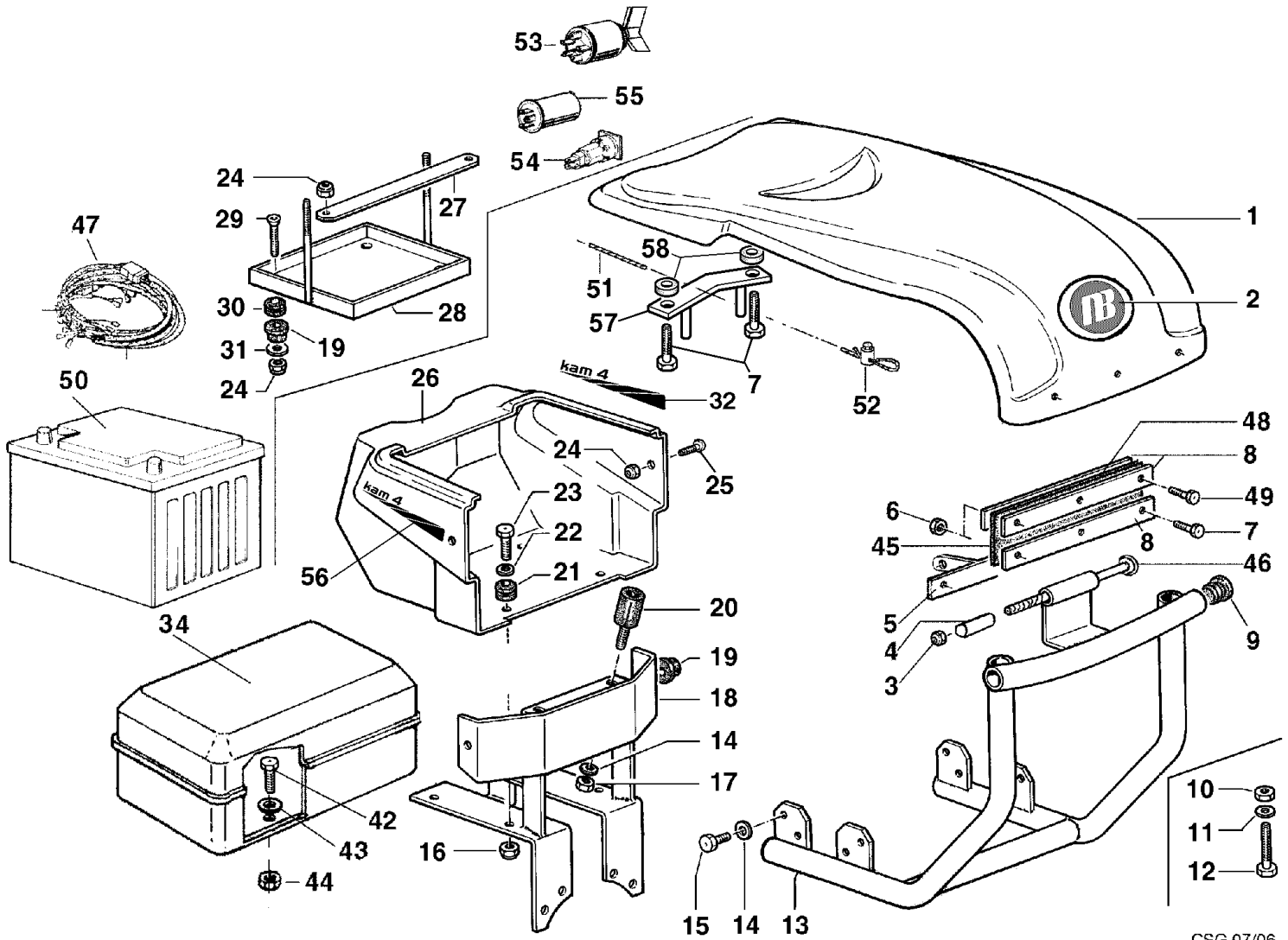
2605 Brøndby

Tel 43966611

Fax 43266624

reservedele@hafog.dk

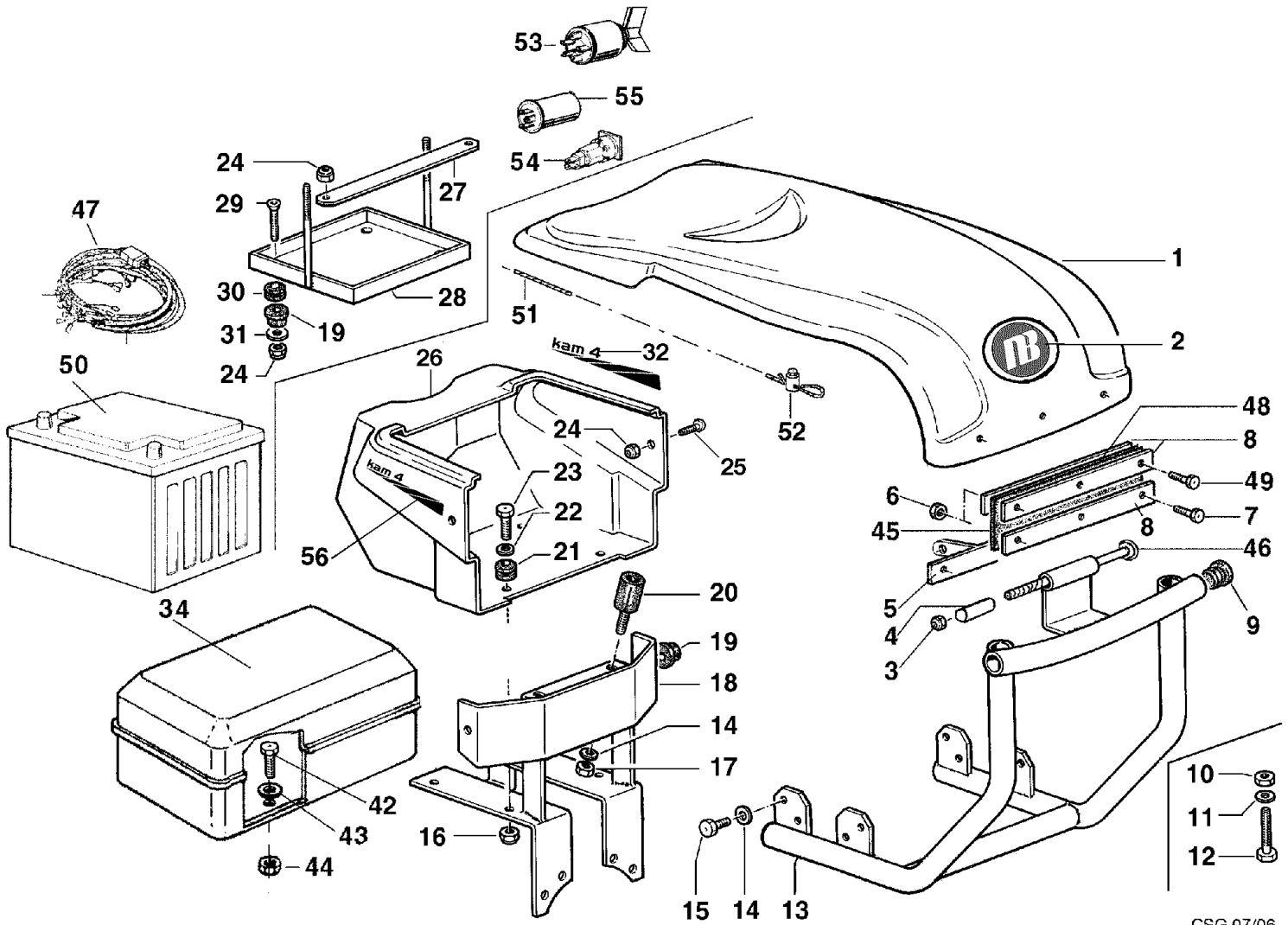
www.hafog.dk



CSG 07/06

Ref.Nu	Qty	Part number	Description	Validity from	Validity till	Notes	Bulletin
1	1	68322106	Hood			Honda GX270; Honda GX200; CH395; 15LD315; 15LD350;	
2	1	68320084	Mark			Su richiesta; Upon request	
3	1	YN1458020	Nut				
4	1	F1292146	Spacer				
5	1	68320059	Support			Grigio; Grey	
6	1	3914006R	Nut				
7	1	3906016	Screw				
8	1	68320055	Main board			Grigio; Grey	
9	1	N5267400	Cap				
10	1	006000091R	Nut			15LD400; 15LD400 AE; ACT280; 15LD315; 15LD350; 15LD350 AE; Honda GX270; Kohler CS8.5; Kohler CS8.5 AE	
10	1	3914010R	Nut			Honda GX160	
11	1	YN4376400	Washer			15LD400; 15LD400 AE; ACT280; 15LD315; 15LD350; 15LD350 AE; Honda GX270; Kohler CS8.5; Kohler CS8.5 AE	
11	1	3916008R	Washer			Honda GX160	
12	1	3806067R	Screw			Honda GX160	
12	1	YN6335900	Screw			Honda GX160	
12	1	N6294400	Screw			15LD400; 15LD400 AE; 15LD315; 15LD350; 15LD350 AE	
12	1	N6354300	Screw			ACT280; Honda GX270; Kohler CS8.5; Kohler CS8.5 AE	
13	1	68320058	Support			Honda GX160; Grigio; Grey	
13	1	68320057	Support			Honda GX270; Grigio; Grey	
13	1	68320068	Support			Kohler CS8.5/10; Kohler CS8.5/10AE; Grigio; Grey	
13	1	68320063	Support			15LD400; 15LD400 AE; Grigio; Grey	
13	1	68320074	Support			ACT280; Grigio; Grey	
13	1	68320064	Support			15LD315; 15LD350; Grigio; Grey	
13	1	F1292115	Support			IM359; A349; CA340	
13	1	F1292109	Support			ALN330	
14	1	YN4365400	Washer			IM359; IM349; IM359 AE; A349 AE; CA340	
15	1	3806063	Screw			IM359; IM349; IM359 AE; A349 AE; CA340	
16	1	3914010R	Nut			15LD400; 15LD400 AE; ACT280; 15LD315; 15LD350; 15LD350 AE; Honda GX270; Kohler CS8.5; Kohler CS8.5 AE; IM359; IM349; IM359 AE; A349 AE; CA340	
17	1	320000028R	Nut				
18	1	68320007	Support			15LD400; 15LD400 AE; Grigio; Grey	
18	1	68320044	Support			Honda GX160; CA240; Grigio; Grey	
18	1	68320043	Support			Honda GX270; IM359; IM349; IM359 AE; A349 AE; CA340; 15LD315; 15LD350; 15LD350 AE; ACT280; Grigio; Grey	
19	1	F0752170	Buffer				
20	1	F0752159	Silent block				
21	1	N0400530	Grommet			15LD400; 15LD400 AE; ACT280; 15LD315; 15LD350; 15LD350 AE; Honda GX270; Kohler CS8.5; Kohler CS8.5 AE; IM359; IM349; IM359 AE; A349 AE; CA340	
22	1	3916008R	Washer			15LD400; 15LD400 AE; ACT280; 15LD315; 15LD350; 15LD350 AE; Honda GX270; Kohler CS8.5; Kohler CS8.5 AE; IM359; IM349; IM359 AE; A349 AE; CA340	
23	1	3806067R	Screw			15LD400; 15LD400 AE; ACT280; 15LD315; 15LD350; 15LD350 AE; Honda GX270; Kohler CS8.5; Kohler CS8.5 AE; IM359; IM349; IM359 AE; A349 AE; CA340	
24	1	3914006R	Nut			15LD400; 15LD400 AE; ACT280; 15LD315; 15LD350; 15LD350 AE; Honda GX270; Kohler CS8.5; Kohler	

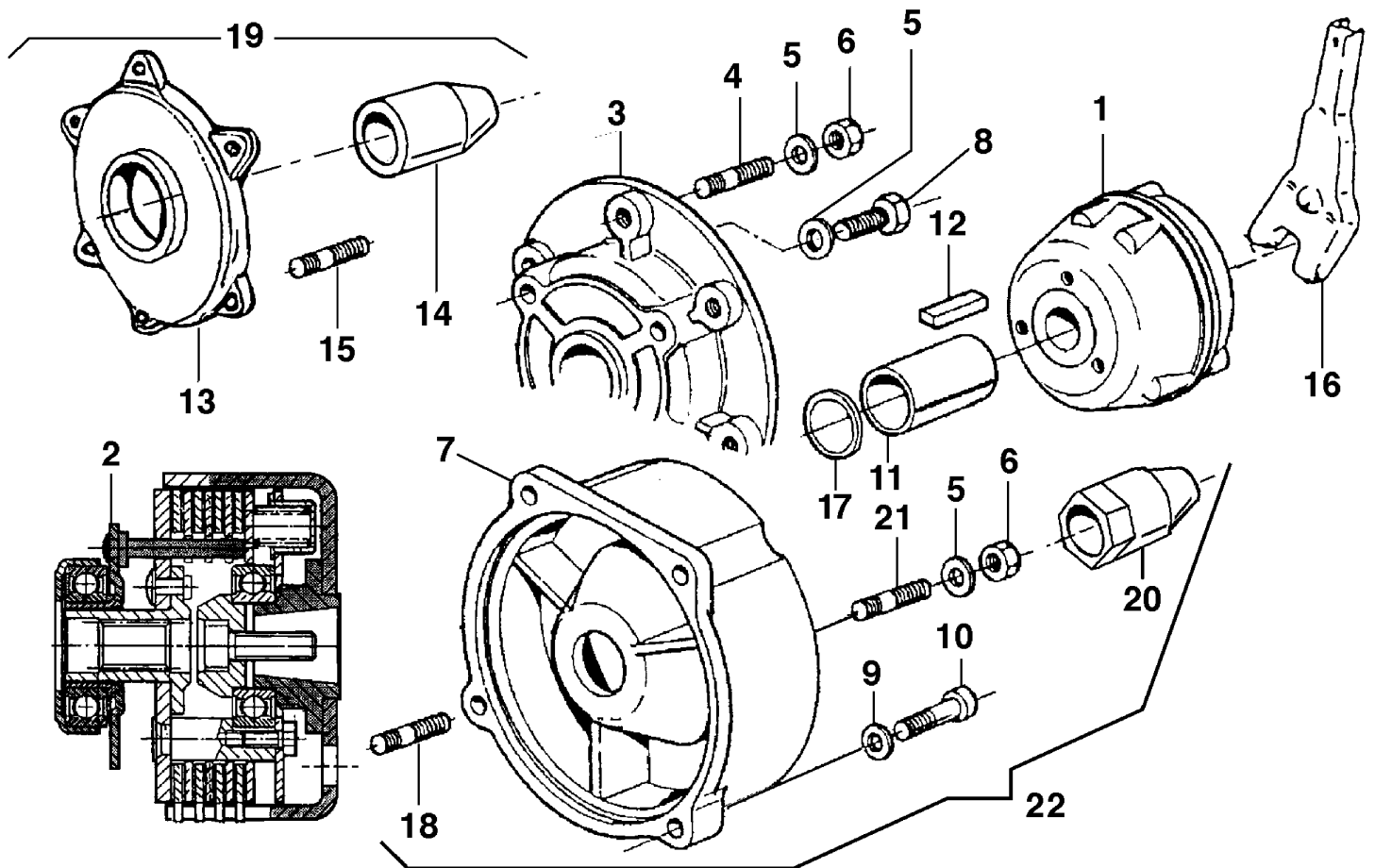
				CS8.5 AE; IM359; IM349; IM359 AE; A349 AE; CA340
25	1	N6218600	Screw	15LD400; 15LD400 AE; ACT280; 15LD315; 15LD350; 15LD350 AE; Honda GX270; Kohler CS8.5; Kohler CS8.5 AE; IM359; IM349; IM359 AE; A349 AE; CA340
26	1	68320026	Hood	Avviamento elettrico; Electric starter
26	1	68320024	Hood	15LD400; 15LD400 AE; ACT280; 15LD315; 15LD350; 15LD350 AE; Honda GX270; Kohler CS8.5; Kohler CS8.5 AE; IM359; IM349; IM359 AE; A349 AE; CA340; Rosso; Red
27	1	F1292601	Main board	Avviamento elettrico; Electric starter; 15LD400; 15LD400 AE; 15LD315; 15LD350; 15LD350 AE; IM359; IM349; IM359 AE; A349 AE; Kohler CS8.5; Kohler CS8.5 AE
28	1	68320056C	Battery casing	Avviamento elettrico; Electric starter; 15LD400; 15LD400 AE; 15LD315; 15LD350; 15LD350 AE; IM359; IM349; IM359 AE; A349 AE; Kohler CS8.5; Kohler CS8.5 AE; Grigio; Grey
29	1	N6233000	Screw	Avviamento elettrico; Electric starter; 15LD400; 15LD400 AE; 15LD315; 15LD350; 15LD350 AE; IM359; IM349; IM359 AE; A349 AE; Kohler CS8.5; Kohler CS8.5 AE
30	1	N0400530	Grommet	Avviamento elettrico; Electric starter; 15LD400; 15LD400 AE; 15LD315; 15LD350; 15LD350 AE; IM359; IM349; IM359 AE; A349 AE; Kohler CS8.5; Kohler CS8.5 AE
31	1	YN4361900	Washer	Avviamento elettrico; Electric starter; 15LD400; 15LD400 AE; 15LD315; 15LD350; 15LD350 AE; IM359; IM349; IM359 AE; A349 AE; Kohler CS8.5; Kohler CS8.5 AE
32	1	68320078	Mark	Su richiesta; Upon request; SX; LEFT
34	1	F1221601	Box	Honda GX160
42	1	3806035R	Screw	Honda GX160; Kohler CS8.5; Kohler CS8.5 AE
43	1	3916006R	Washer	Honda GX160; Kohler CS8.5; Kohler CS8.5 AE
44	1	3914006R	Nut	Honda GX160; Kohler CS8.5; Kohler CS8.5 AE
45	1	K4301960	Tire	
46	1	N6302700	Screw	
47	1	F1292606	Electric starter	15LD315; 15LD350; 15LD400
47	1	F1292603	Electric starter	IM359; A349; Kohler CS8.5
47	1	F1292605	Electric starter	LGA280
48	1	F1292170	Tire	
49	1	3806035R	Screw	
50	1	68330115	Battery	
51	1	K4804570	Cable	
52	1	YN5901000	Clamp	
53	1	N2540020	Switch	
54	1	N2552250	Warning light	
55	1	N2552370	Plug	
56	1	68320077	Mark	Su richiesta; Upon request; DX; RIGHT
57	1	F1292206	Support	
58	1	N2400500	Washer	



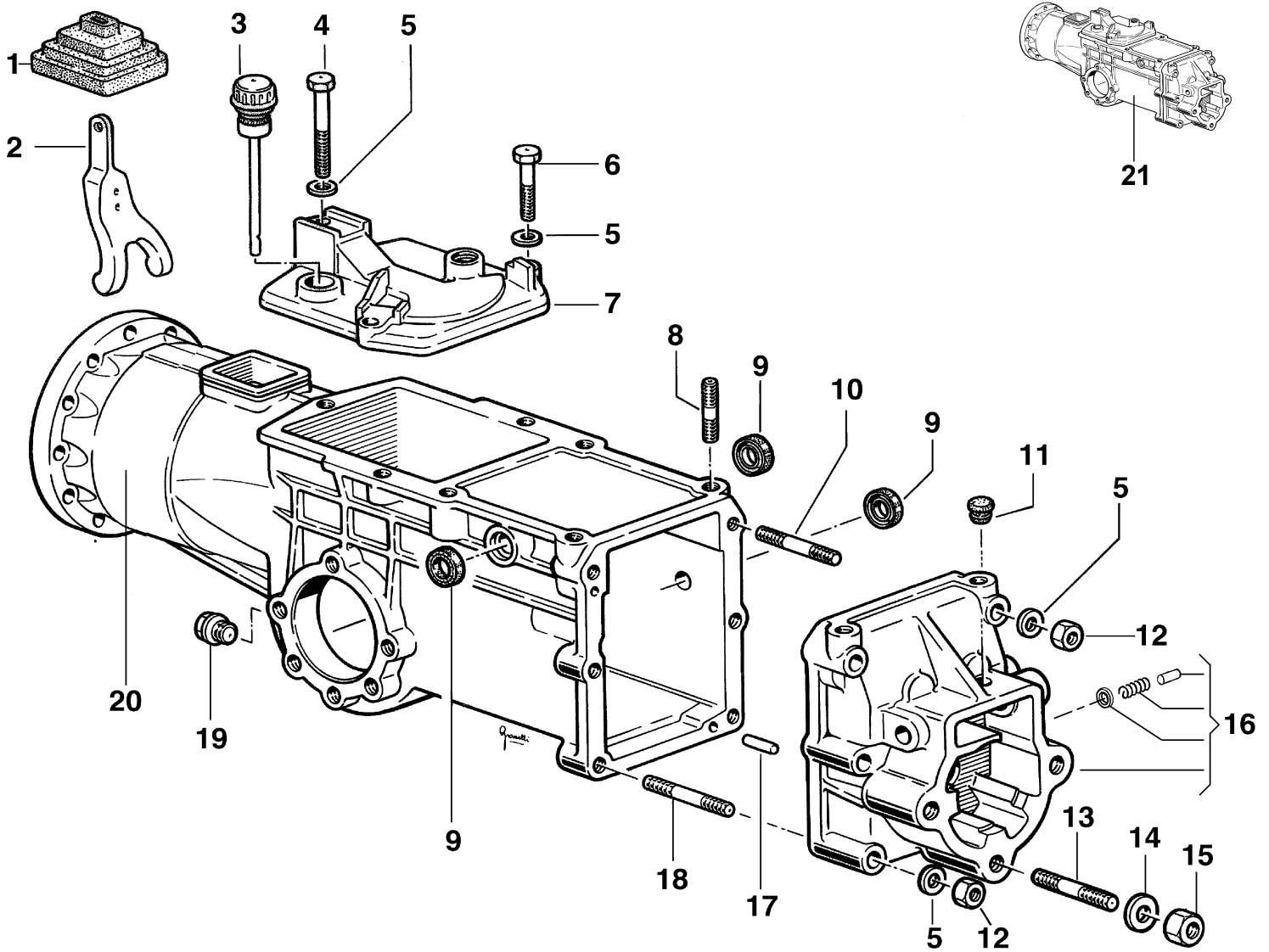
CSG 07/06

Ref.Nu	Qty	Part number	Description	Validity from	Validity till	Notes	Bulletin
1	1	68322106	Hood				
1	1	68320022	Hood			Honda GX270; Honda GX200; CH395; 15LD315; 15LD350; Rosso; Red	
2	1	68320084	Mark			Su richiesta; Upon request	
3	1	YN1458020	Nut				
4	1	F1292146	Spacer				
5	1	68320059	Support			Grigio; Grey	
6	1	3914006R	Nut				
7	1	3806035R	Screw				
8	1	68320055	Main board			Grigio; Grey	
9	1	N5267400	Cap				
10	1	006000091R	Nut			15LD400; 15LD400 AE; ACT280; 15LD315; 15LD350; 15LD350 AE; Honda GX270	
10	1	3914010R	Nut			Honda GX160	
11	1	YN4376400	Washer			15LD400; 15LD400 AE; ACT280; 15LD315; 15LD350; 15LD350 AE; Honda GX270	
11	1	3916008R	Washer			Honda GX160	
12	1	3806067R	Screw			Honda GX160	
12	1	YN6335900	Screw			15LD315; 15LD350; 15LD350 AE; 15LD400; 15LD400 AE	
12	1	N6294400	Screw			Honda GX160	
12	1	N6354300	Screw			ACT280; Honda GX270	
13	1	68320057	Support			Honda GX270; Grigio; Grey	
13	1	68320058	Support			Honda GX160; Grigio; Grey	
13	1	68320063	Support			15LD315; 15LD350; 15LD350 AE; 15LD400; Grigio; Grey	
13	1	F1292115	Support			IM359; A349; CA340	
13	1	68320064	Support			15LD315; 15LD350; Grigio; Grey	
13	1	68320074	Support			ACT280; Grigio; Grey	
13	1	F1292109	Support			ALN330	
14	1	YN4365400	Washer			IM359; IM349; IM359 AE; A349 AE; CA340	
15	1	3806063	Screw			IM359; IM349; IM359 AE; A349 AE; CA340	
16	1	3914010R	Nut			15LD400; 15LD400 AE; ACT280; 15LD315; 15LD350; 15LD350 AE; Honda GX270; IM359; IM349; IM359 AE; A349 AE; CA340	
17	1	320000028R	Nut				
18	1	68320007	Support			15LD400; 15LD400 AE; Grigio; Grey	
18	1	68320044	Support			Honda GX160; CA240; Grigio; Grey	
18	1	68320043	Support			15LD400; 15LD400 AE; ACT280; Honda GX270; IM359; IM349; IM359 AE; A349 AE; CA340; Grigio; Grey	
19	1	F0752170	Buffer				
20	1	F0752159	Silent block				
21	1	N0400530	Grommet			15LD400; 15LD400 AE; ACT280; 15LD315; 15LD350; 15LD350 AE; Honda GX270; IM359; IM349; IM359 AE; A349 AE; CA340	
22	1	3916008R	Washer			15LD400; 15LD400 AE; ACT280; 15LD315; 15LD350; 15LD350 AE; Honda GX270; IM359; IM349; IM359 AE; A349 AE; CA340	
23	1	3806067R	Screw			15LD400; 15LD400 AE; ACT280; 15LD315; 15LD350; 15LD350 AE; Honda GX270; IM359; IM349; IM359 AE; A349 AE; CA340	
24	1	3914006R	Nut			15LD400; 15LD400 AE; ACT280; 15LD315; 15LD350; 15LD350 AE; Honda GX270; IM359; IM349; IM359 AE; A349 AE; CA340	
25	1	N6218600	Screw			15LD400; 15LD400 AE; ACT280; 15LD315; 15LD350; 15LD350 AE; Honda GX270; IM359; IM349; IM359 AE; A349 AE; CA340	
26	1	68320026	Hood			Avviamento elettrico; Electric starter	
26	1	68320024	Hood			15LD400; 15LD400 AE; ACT280; 15LD315; 15LD350; 15LD350 AE;	

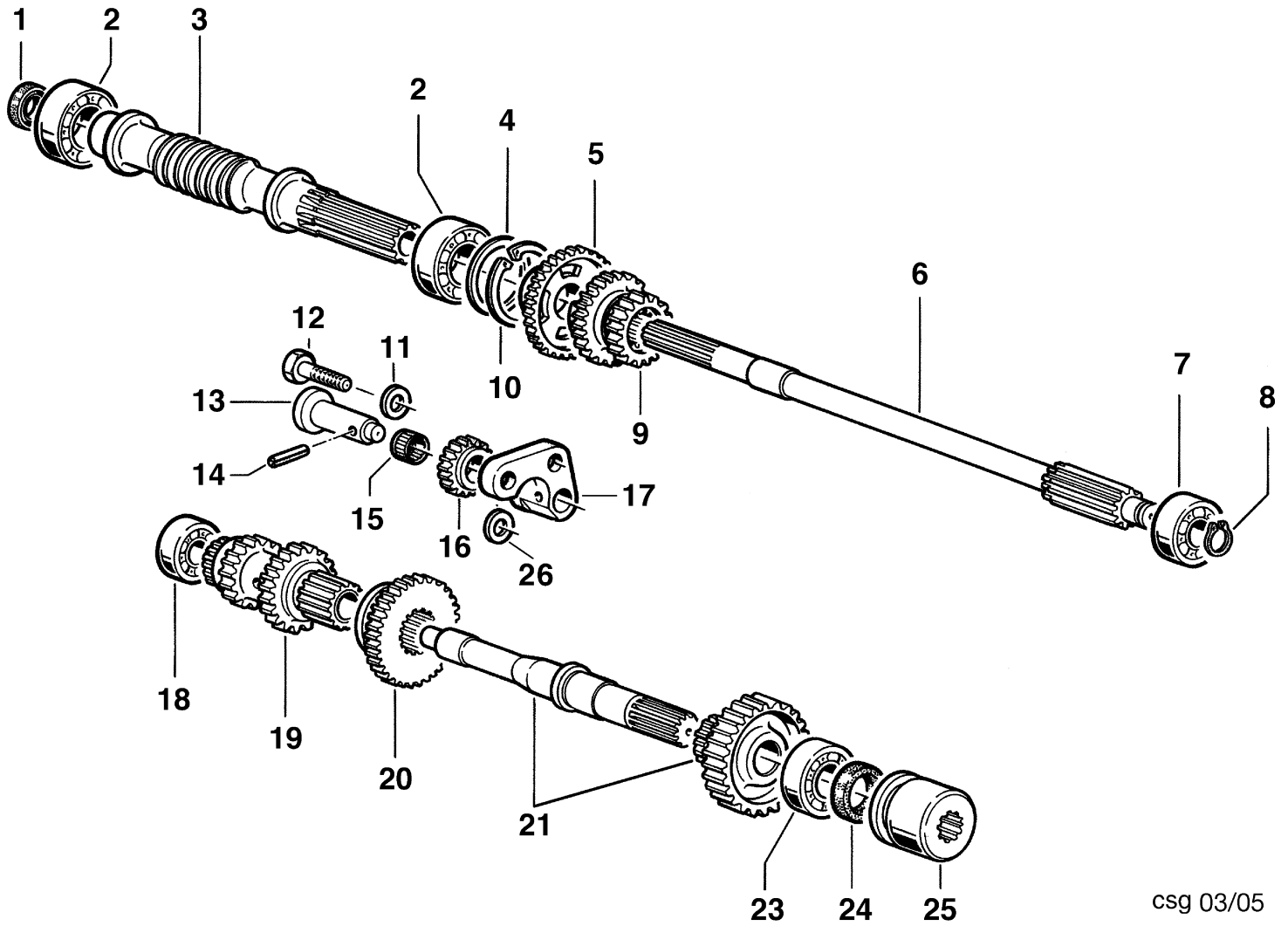
				15LD315; 15LD350; 15LD350 AE; Honda GX270; IM359; IM349; IM359 AE; A349 AE; CA340; Rosso; Red
27	1	F1292601	Main board	Avviamento elettrico; Electric starter; 15LD400; 15LD400 AE; 15LD315; 15LD350; 15LD350 AE; IM359; Im349; IM359 AE; A349 AE
28	1	68320056C	Battery casing	Avviamento elettrico; Electric starter; 15LD400; 15LD400 AE; 15LD315; 15LD350; 15LD350 AE; IM359; Im349; IM359 AE; A349 AE; Grigio; Grey
29	1	N6233000	Screw	Avviamento elettrico; Electric starter; 15LD400; 15LD400 AE; 15LD315; 15LD350; 15LD350 AE; IM359; Im349; IM359 AE; A349 AE
30	1	N0400530	Grommet	Avviamento elettrico; Electric starter; 15LD400; 15LD400 AE; 15LD315; 15LD350; 15LD350 AE; IM359; Im349; IM359 AE; A349 AE
31	1	YN4361900	Washer	Avviamento elettrico; Electric starter; 15LD400; 15LD400 AE; 15LD315; 15LD350; 15LD350 AE; IM359; Im349; IM359 AE; A349 AE
32	1	68320078	Mark	Su richiesta; Upon request; SX; LEFT
34	1	F1221601	Box	Honda GX160
42	1	3806035R	Screw	Honda GX160
43	1	3916006R	Washer	Honda GX160
44	1	3914006R	Nut	Honda GX160
45	1	K4301960	Tire	
46	1	N6302700	Screw	
47	1	F1292606	Electric starter	15LD315; 15LD350; 15LD400
47	1	F1292603	Electric starter	IM359; A349
47	1	F1292605	Electric starter	LGA280
48	1	F1292170	Tire	
49	1	YN6234500	Screw	
50	1	68330115	Battery	
51	1	K4804570	Cable	
52	1	YN5901000	Clamp	
53	1	N2540020	Switch	
54	1	N2552250	Warning light	
55	1	N2552370	Plug	
56	1	68320077	Mark	Su richiesta; Upon request; DX; RIGHT



Ref.Nu	Qty	Part number	Description	Validity from	Validity till	Notes	Bulletin
1	1	YF1200003	Clutch			IM359; A349; CA340	
1	1	F1200004	Clutch			ALN330; 15LD315; A220; A230	
1	1	YF1200016	Clutch		SN B059351287	Honda GX160	BT12-004-01/11
1	1	YF1200032	Clutch				
2	1	68320006R	Clutch	SN B059351288			BT12-004-01/11
2	1	YF1090002	Multiple disk clutch			15LD400; 15LD440; 15LD400 AE (dal03/2004); ACT280; 6LD400; 6LD400 AE; 6LD435	
2	1	F1090007	Multiple disk clutch			Yanmar L70; Yanmar L100; 15LD350; 15LD400 AE; 15LD400; 15LD440 (fino 03/2004)	
2	1	F1200035	Multiple disk clutch			Kohler CS10	
2	1	F1200006	Multiple disk clutch			Honda GX270; Kohler CS8.5	
3	1	F1050027G	Flange			Honda GC160	
3	1	68310038A	Flange			Honda GX160	
4	1	N3812500	Stud			Honda GX160	
5	1	YN4365400	Washer			Honda GX270; Kohler CS8.5; 15LD400; 15LD440; 15LD400 AE (dal03/2004); Honda GX160	
6	1	320000028R	Nut			Honda GX270; Kohler CS8.5; 15LD400; 15LD440; 15LD400 AE (dal03/2004); Honda GX160	
7	1	68320117	Flange			Honda GX270; Kohler CS8.5; 15LD400; 15LD440; 15LD400 AE (dal03/2004);	
8	1	YN6243980	Screw			Honda GX160	
9	1	YN4376400	Washer			Honda GX270; Kohler CS8.5; 15LD400; 15LD440; 15LD400 AE (dal03/2004);	
10	1	N6309790	Screw			Honda GX270; Kohler CS8.5; 15LD400; 15LD440; 15LD400 AE (dal03/2004);	
11	1	F1050028	Spacer		SN B059351287	Honda GX160; 15LD400 AE; 15LD400; 15LD440 (fino 03/2004)	BT12-004-01/11
11	1	F1050036	Spacer			Vecchia frizione; Old clutch; Honda GX270; Kohler CS8.5	
12	1	N0648080	Key			Frizione con distanziale; Clutch with spacer; Honda GX270; Kohler CS8.5	
12	1	N0648090	Key			Frizione monoblocco; Clutch single-block; Honda GX270; Kohler CS8.5	
12	1	YN0643410	Key			Honda GX160	
13	1	F1210001	Spacer			ALN330; 15LD315; A220; A230; Yanmar L70; Yanmar L100; 15LD350; 15LD400 AE; 15LD400; 15LD440; (fino 03/2004)	
14	1	F1210002	Spacer			ALN330; 15LD315; A220; A230; Yanmar L70; Yanmar L100; 15LD350; 15LD400 AE; 15LD400; 15LD440; (fino 03/2004)	
15	1	K8236004	Stud			ALN330; 15LD315; A220; A230; Yanmar L70; Yanmar L100; 15LD350; 15LD400 AE; 15LD400; 15LD440; (fino 03/2004)	
15	1	N3815300	Stud			Motore senza distanziale; Engine without spacer	
16	1	YF0750011	Lever				
17	1	N5002870	Washer			Honda GX160	
18	1	N3815300	Stud			15LD400; 15LD440; 15LD400 AE; (dal03/2004)	
19	1	P1200020	Spacer unit			ALN330; 15LD315; A220; A230; Yanmar L70; Yanmar L100; 15LD350; 15LD400 AE; 15LD400; 15LD440; (fino 03/2004)	
20	1	F1290007	Spacer			15LD400; 15LD440; 15LD400 AE; (dal03/2004)	
21	1	N3812500	Stud			Honda GX270; Kohler CS8.5	
21	1	N3815300	Stud			15LD400; 15LD440; 15LD400 AE; (dal03/2004); Kohler CS8.5	
22	1	P1200021	Spacer unit			15LD400; 15LD440; 15LD400 AE; (dal03/2004)	

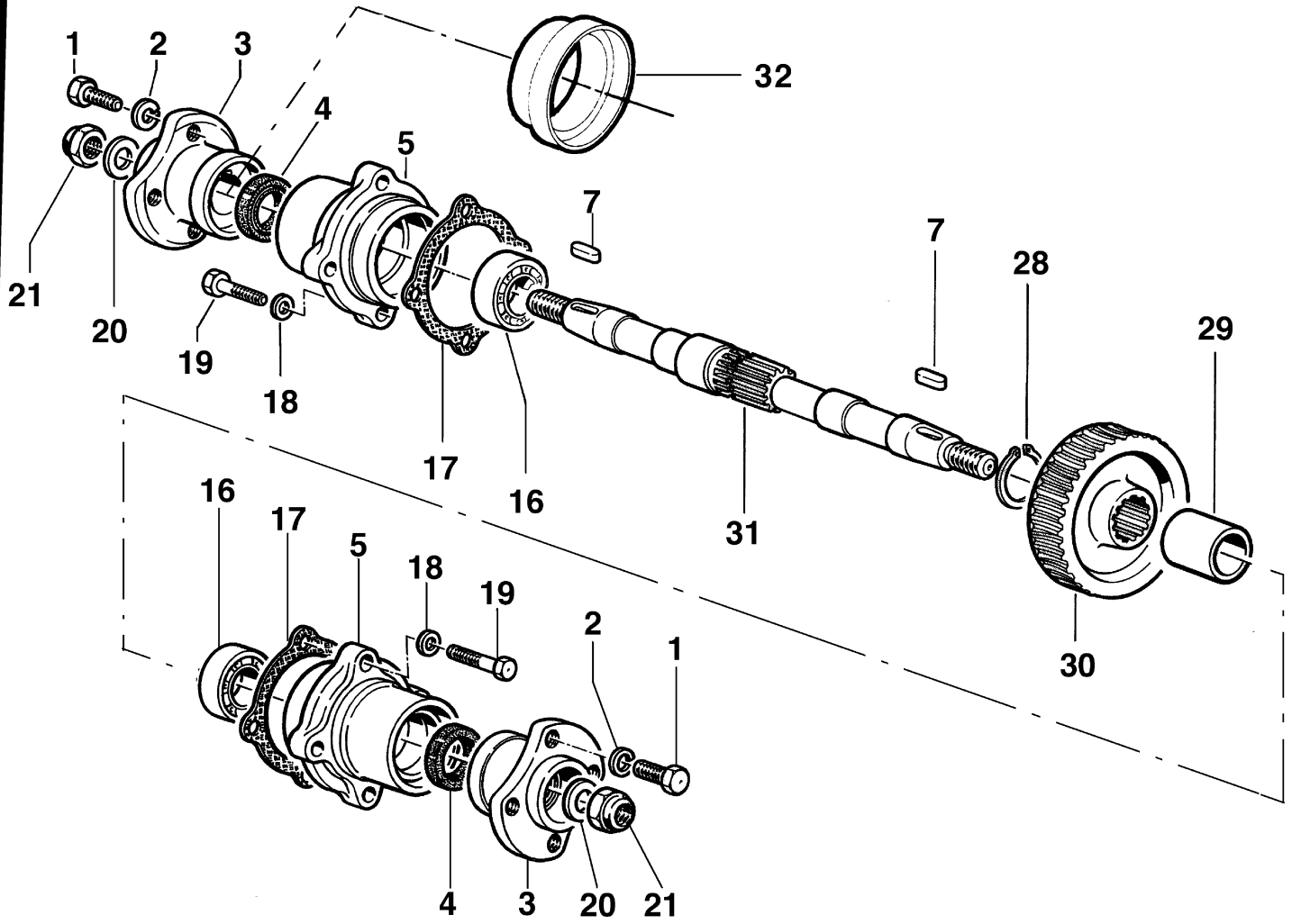


Ref.Nu	Qty	Part number	Description	Validity from	Validity till	Notes	Bulletin
1	1	F0751646	Bellows				
2	1	YF0750011	Lever				
3	1	F1290819	Cap				
4	1	N6294400	Screw				
5	1	YN4365400	Washer				
6	1	3806074R	Screw				
7	1	F1290802	Upper cover				
8	1	N3812500	Stud				
9	1	YN0203000	Ring				
10	1	N3825400	Stud				
11	1	YF0750835	Cap				
12	1	N1458800	Nut				
13	1	N3861500	Stud				
14	1	YN4387700	Washer				
15	1	N1470500	Nut				
16	1	YF1290817	Set cover				
17	1	YN5124300	Pin				
18	1	N3825750	Stud				
19	1	YN5254000	Oil cap				
20	1	68320135	Speed-change gear box				
21	1	YP0001608B	Unit (Gear)				



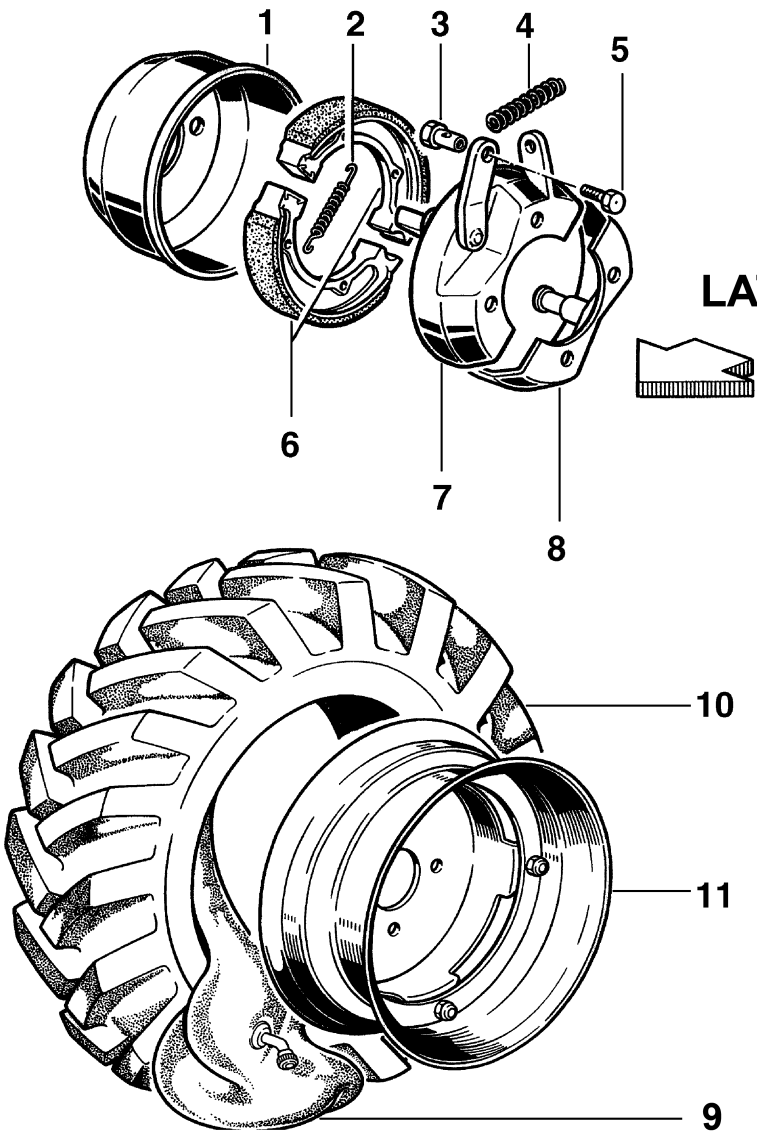
csg 03/05

Ref.Nu	Qty	Part number	Description	Validity from	Validity till	Notes	Bulletin
1	1	N0204750	Gasket				
2	1	N1270751	Bearing				
3	1	F1290800	Shaft				
4	1	N5010200	Washer				
5	1	F1290812	Sprocket				
6	1	F1290811	Shaft				
7	1	N1257700	Bearing				
8	1	3024015	Seeger				
9	1	YF1290813	Gear (Sliding)				
10	1	N0136900	Seeger				
11	1	005000343	Washer				
12	1	N6327500	Screw				
13	1	F1290803	Pin				
14	1	N5115000	Cotter pin				
15	1	3037026R	Roller cage				
16	1	YF1290804	Sprocket				
17	1	F1290807	Support				
18	1	N1251500	Bearing				
19	1	F1290810	Gear				
20	1	YF1290805	Sprocket				
21	1	R1290814	Shaft (Complete)				
23	1	YN1263701	Bearing				
24	1	YN0207300	Ring				
25	1	F1290816	Sleeve				
26	1	N5001900	Washer				

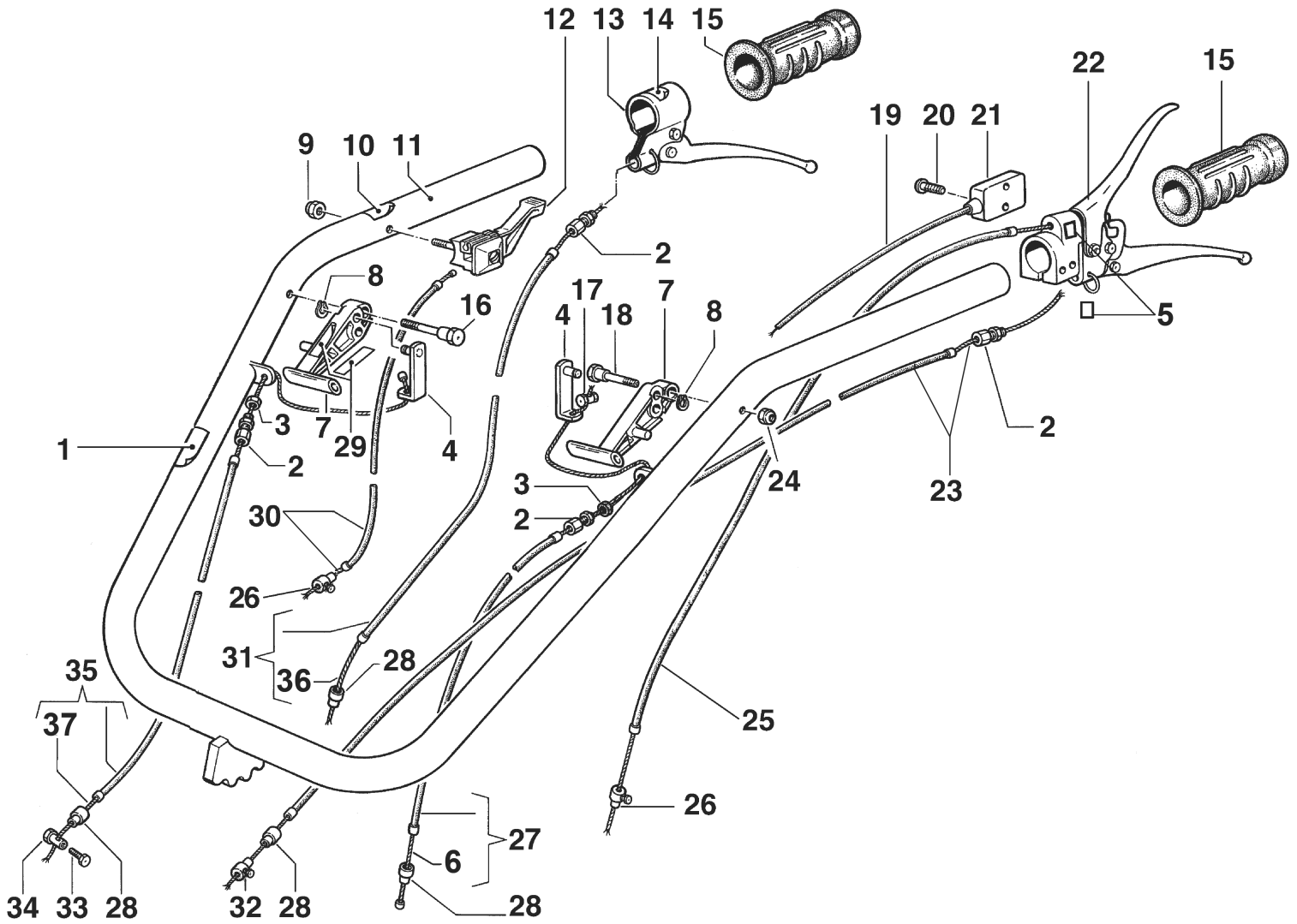


CSG 07/06

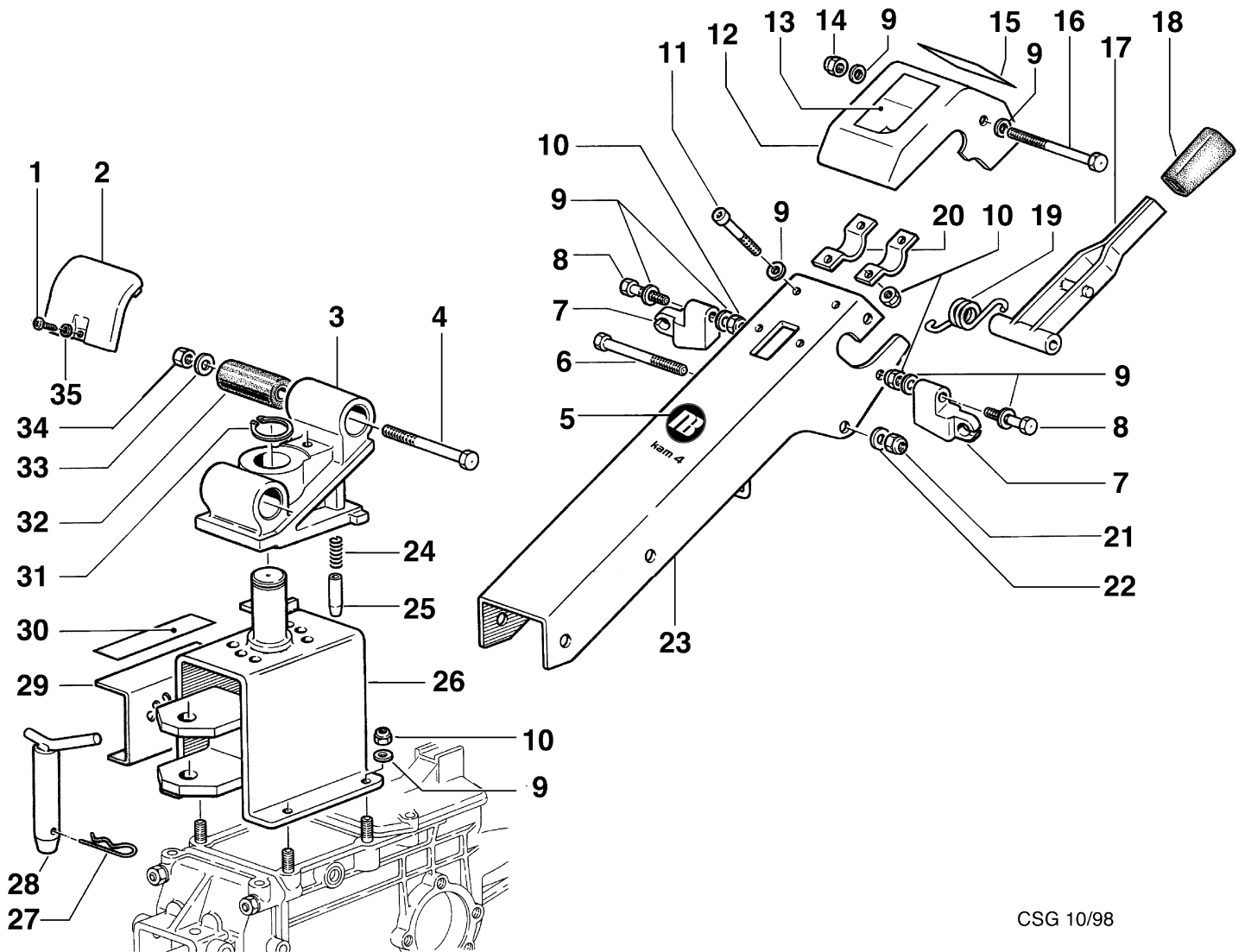
Ref.Nu	Qty	Part number	Description	Validity from	Validity till	Notes	Bulletin
1	1	N6322000	Screw				
2	1	3819014R	Grower				
3	1	YF1290211	Wheel hub				
4	1	YN0209720	Ring				
5	1	F1290209	Support				
7	1	YN0646800	Key				
16	1	N1272501	Bearing				
17	1	R1096000	Gasket set				
18	1	YN4365400	Washer				
19	1	3806067R	Screw				
20	1	N4403000	Grower				
21	1	YN1479800	Nut				
28	1	N0124150	Seeger				
29	1	F1290216	Spacer				
30	1	F1290215	Wheel				
31	1	YF1290214	Shaft				
32	1	F1290227	Guard				



Ref.Nu	Qty	Part number	Description	Validity from	Validity till	Notes	Bulletin
1	1	N2382700	Cable reel				
2	1	YN3105100	Spring				
3	1	YF1290225	Clamp				
4	1	N3101050	Spring				
5	1	301000042	Screw				
6	1	YN2362700	Brake shoe				
7	1	F1290223	Half-cable reel				
8	1	F1290220	Half-cable reel				
9	1	N4881500	Inner tube			4.00-10	
9	1	YN4882500	Inner tube			5.00-10	
10	1	N4852000A	Tire			4.00-10	
10	1	N4853500	Tire			5.00-10	
11	1	68200014	Rim			4.00/5.00-10	

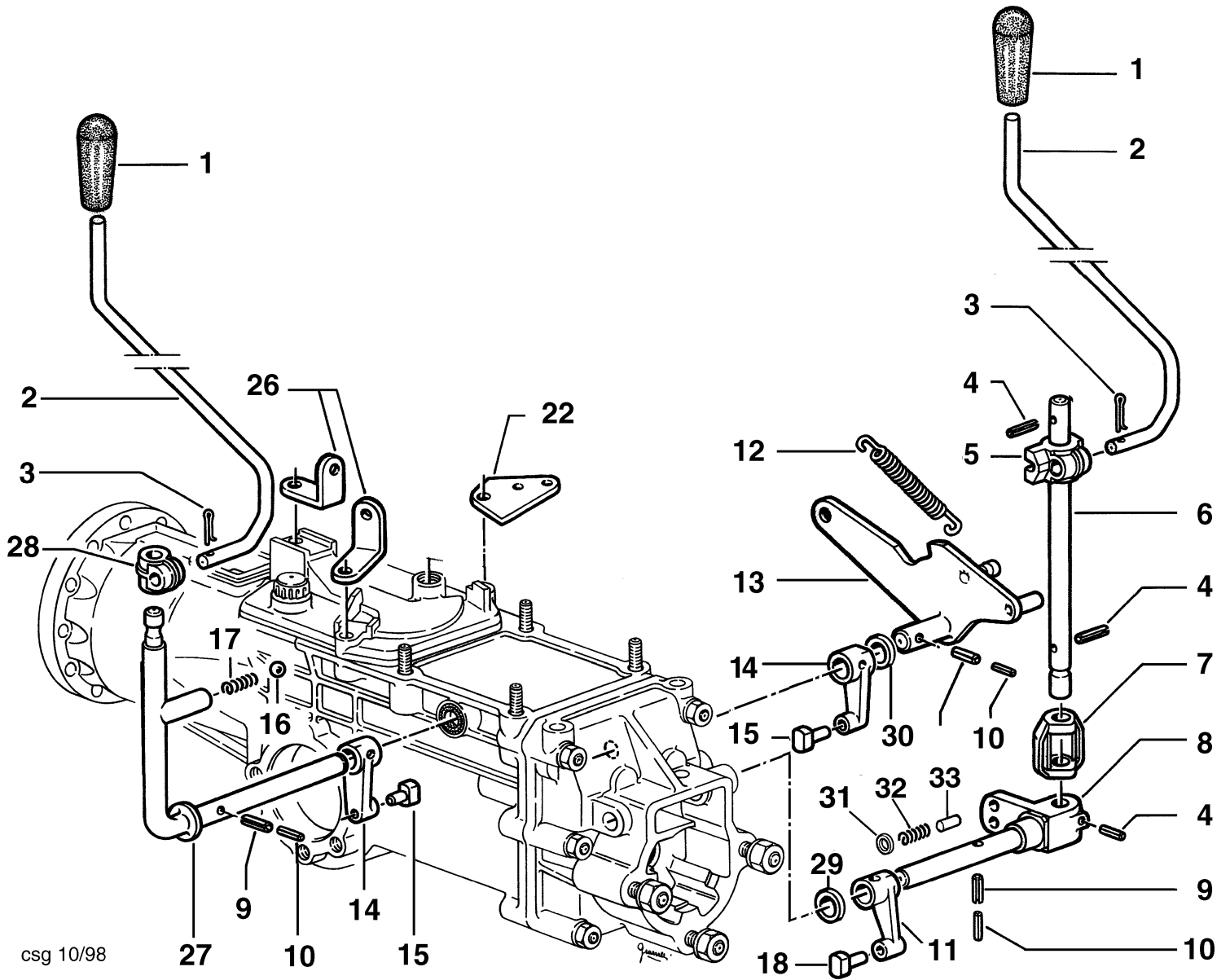


Ref.Nu	Qty	Part number	Description	Validity from	Validity till	Notes	Bulletin
1	1	YN5380870	Mark (Instruction)			Su richiesta; Upon request	
2	2	YN5801000	Adjuster assy				
3	2	3911008R	Nut				
4	2	F1291619	Bracket				
5	1	YN5380660	Mark (Clutch)			Su richiesta; Upon request	
6	1	N5638500	Rope				
7	2	F1291614	Lever				
8	2	N1734000	Ring				
9	1	3914006R	Nut				
10	1	YN5380805	Mark (Accelerator)			Su richiesta; Upon request	
11	1	68320139	Handle kit			Color alluminio; Aluminium colour	
12	1	YN2803660	Fuel control				
13	1	N2806200	Handle				
14	1	YN5380665	Mark (Brake)			Su richiesta; Upon request	
15	1	YN2847300	Knob				
16	1	F1291616	Pin				
17	1	N5901500	Clamp				
18	1	F1291615	Pin				
19	1	F1182601	Cable			Motori benzina; Gasoline engines	
20	1	N6182150	Screw			Motori benzina; Gasoline engines	
21	1	N2542360	Switch			Motori benzina; Gasoline engines	
22	1	N2806110	Handle				
23	1	N5488035A	Transmission				BT12-003-11/10
24	1	3914010R	Nut				
25	1	N5476600	Transmission			Motori diesel; Diesel engines	
25	1	N5477050	Transmission			15LD400; Yanmar L70; Yanmar L100	
26	1	F1300004	Clamp			Honda GX270; Vanguard; Kohler CS8.5	
26	1	YN5901000	Clamp				
27	1	N5481100	Transmission				
28	1	N5852100A	Clamp				
29	1	F1291648	Mark			Su richiesta; Upon request	
30	1	N5467270	Transmission			15LD315; 15LD350; IM350; IM359; ACT280; 6LD400; 6LD435; A349	
30	1	N5464600	Transmission			A220; A230	
30	1	N5464160	Transmission			15LD400; Yanmar L70; Yanmar L100	
30	1	N5467270	Transmission			ALN330; CA340; Honda GX270; LGA225; Honda GX160; Vanguard; Kohler CS8.5	
31	1	N5491250	Transmission				
32	1	YN5901600	Clamp				
33	1	301000042	Screw				
34	1	YF1290225	Clamp				
35	1	N5483810	Transmission				
36	1	N5638360	Rope				
37	1	N5632500	Rope				



CSG 10/98

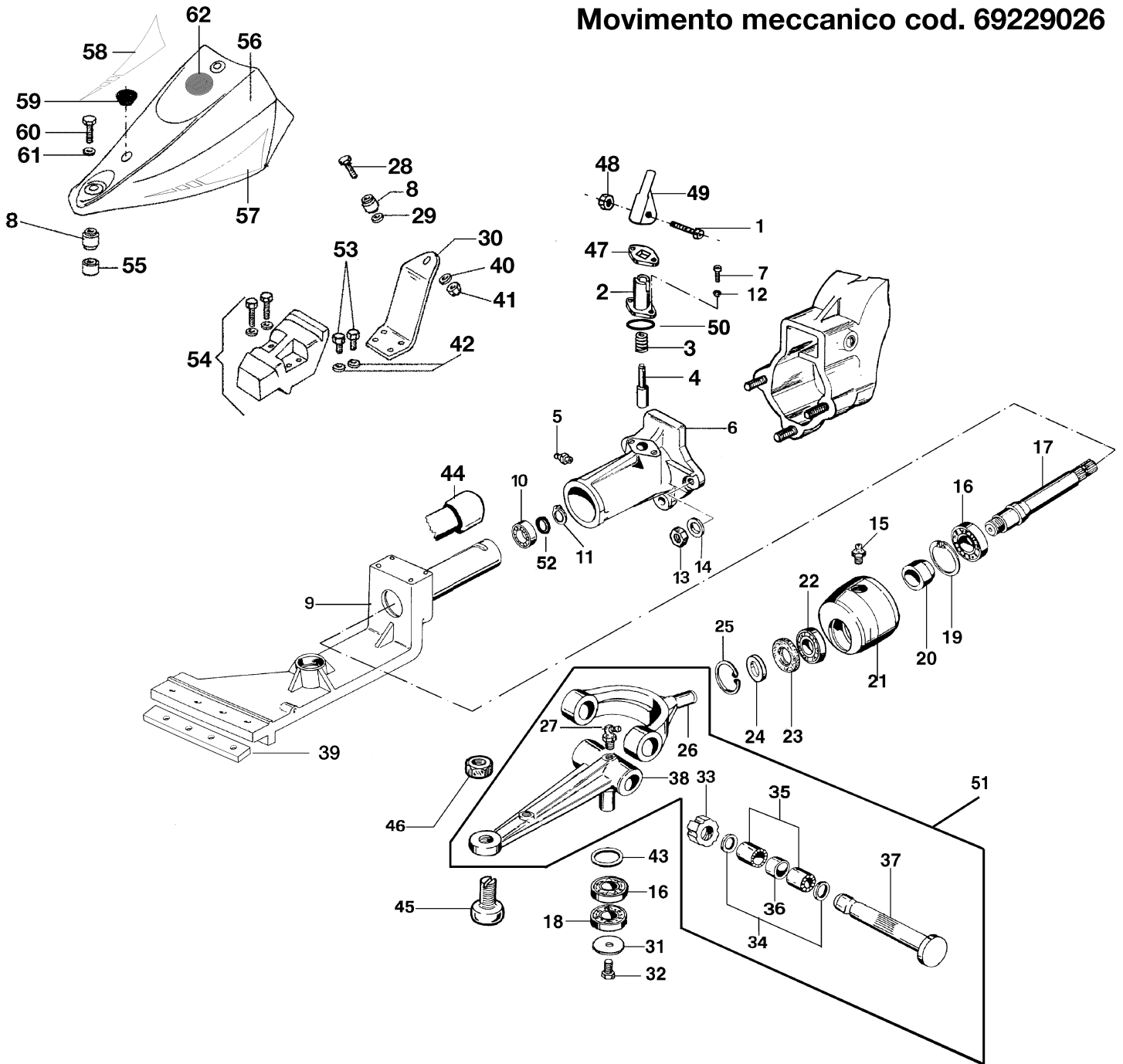
Ref.Nu	Qty	Part number	Description	Validity from	Validity till	Notes	Bulletin
1	1	N6192200	Screw				
2	1	68320040	Cover			Rosso; Red	
3	1	R0000114	Grip-end				
4	1	N6407550	Screw				
5	1	68320075	Mark			Su richiesta; Upon request	
6	1	YN6361500	Screw				
7	1	F1255009B	Support				BT12-001-10/09
8	1	3806067R	Screw				
9	1	3916008R	Washer				
10	1	N1458800	Nut				
11	1	N6289250	Screw				
12	1	68240022	Cover				
13	1	F1291647	Mark			Su richiesta; Upon request	
14	1	3914010R	Nut				
15	1	F1291650	Mark			Su richiesta; Upon request	
16	1	N6306500	Screw				
17	1	YF1291636	Lever				
18	1	YN2840480	Knob				
19	1	YF1291634B	Spring				
20	1	YF1151601	Clamp				
21	1	3914014R	Nut				
22	1	3916010R	Washer				
23	1	68320036D	Handlebar rod			Rosso; Red	
24	1	K3503380	Spring				
25	1	K3502650	Shutter				
26	1	68320011	Support			Grigio; Grey	
27	1	N5148800	Cotter pin				
28	1	F0751647	Pin				
29	1	F1291627B	Selector switch				
30	1	F1291646	Mark			Su richiesta; Upon request	
31	1	N0126400	Seeger				
32	1	N4924200	Silent block				
33	1	N4384360	Washer				
34	1	N1470500	Nut				
35	1	3916005R	Sealing washer				



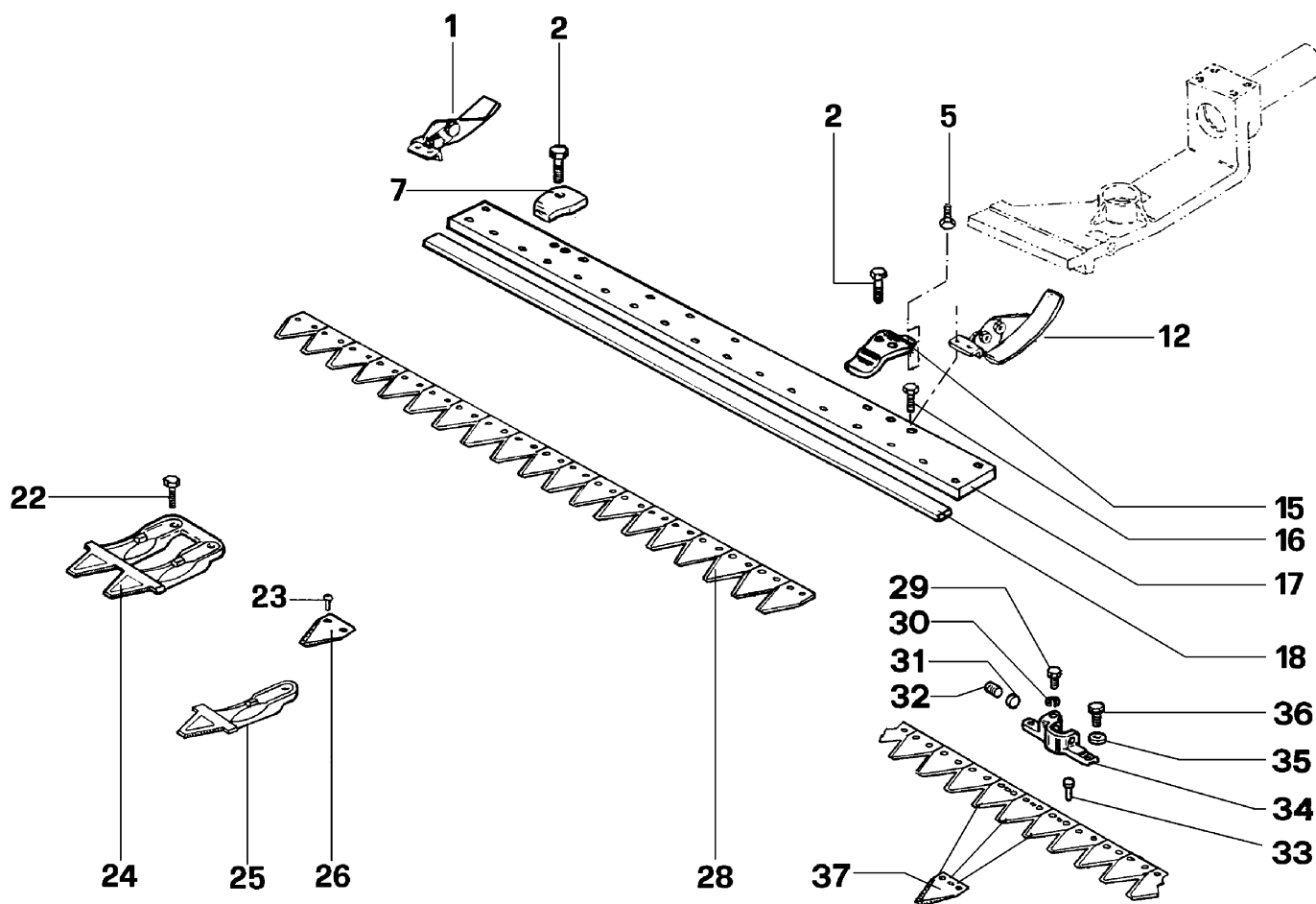
csg 10/98

Ref.Nu	Qty	Part number	Description	Validity from	Validity till	Notes	Bulletin
1	1	YN3753600	Knob				
2	1	F1291641	Handlebar				
3	1	YN1054900	Cotter pin				
4	1	N5113800	Pin				
5	1	YF1291633	Support				
6	1	YF1291637	Lever				
7	1	F1241614	Shoe				
8	1	F1291613	Pin				
9	1	YN5125500	Pin				
10	1	YN5109300	Pin				
11	1	F1051700	Lever				
12	1	YN3118060	Spring				
13	1	F1291612	Cam				
14	1	F1291603	Lever				
15	1	YF1291604	Sliding block				
16	1	YN4745400	Ball				
17	1	YN3104250	Spring				
18	1	F1050831	Sliding block				
22	1	F1291607	Plate				
26	1	F1291605	Bracket				
27	1	F1291632	Lever				
28	1	YF1061633	Fix plate (Handlebar)				
29	1	N4394700	Washer				
30	1	K8491008	Washer				
31	1	N0281400	Ring				
32	1	N3101020	Spring				
33	1	F1291661	Cap				

Movimento meccanico cod. 69229026



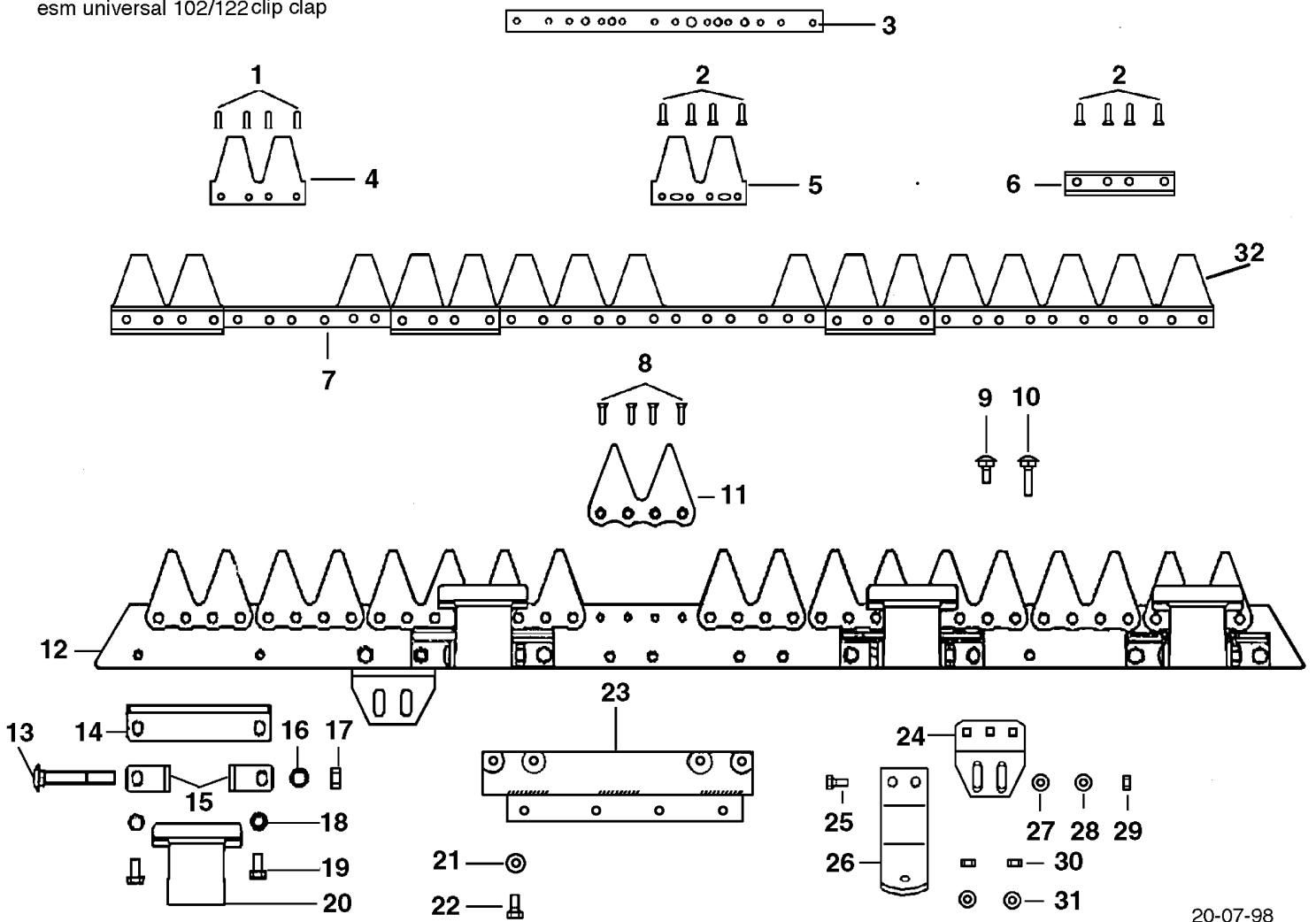
Ref.Nu	Qty	Part number	Description	Validity from	Validity till	Notes	Bulletin
1	1	3801027R	Screw				
2	1	F1294702	Slide				
3	1	N3118700	Spring				
4	1	F1054710	Shutter				
5	1	N2605600	Nipple				
6	1	L0100700	Quickfit			Corto; Short	
6	1	L0100300	Long QuickFit coupling			Lungo; Long	
7	1	3801022	Screw				
8	1	N4924000	Silent block				
9	1	F1073358	Support				
10	1	YN1263201	Bearing				
11	1	3024020R	Seeger				
12	1	YN4358110	Washer				
13	1	N1470500	Nut				
14	1	YN4387700	Washer				
15	1	N2605600	Nipple				
16	1	YN1271100	Bearing				
17	1	F1073106	Shaft				
18	1	N1270400	Bearing				
19	1	YN0136800	Seeger				
20	1	F1073145	Spacer				
21	1	F1073105	Floating head				
22	1	N1258301	Bearing				
23	1	N0207500	Ring				
24	1	N4429200	Washer				
25	1	N0130000	Seeger				
26	1	F1073513	Clip				
27	1	N2605600	Nipple				
28	1	N6399710	Screw				
29	1	3916012	Washer				
30	1	YF1303126	Support				
31	1	F1073372	Washer				
32	1	N6320500	Screw				
33	1	N2101600	Ring nut				
34	1	N5002850	Spacer				
35	1	YN1261350	Bearing				
36	1	YF1073190	Spacer				
37	1	F1073191	Pin				
38	1	YF1073375	Connecting rod				
39	1	L0081100	Washer			Utilizzare con ruote > 4.00/5.00-10"; Use with wheels > 4.00/5.00-10	
40	1	3916012	Washer				
41	1	YN1470200	Nut				
42	1	3819013R	Grower				
43	1	N5005400	Spacer				
44	1	L0038100	Spacer				
45	1	F1073260	Pin				
46	1	N1474500	Nut				
47	1	F1294701	Plate				
48	1	3914008R	Nut				
49	1	F1294700	Lever				
50	1	N0317600	O-ring				
51	1	P0001289	Support kit				
52	1	K7035045	O-ring				
53	1	3806031	Screw				
54	1	L0105500	Set (Counterweight) Mechanical movement				
55	1	F1303133	Spacer				
56	1	PA001254	Hood				
57	1	68910014	Mark			Su richiesta; Upon request	
58	1	68910015	Mark			Su richiesta; Upon request	
59	1	N5265900	Cap				
60	1	N6399710	Screw				
61	1	3916012	Washer				
62	1	68250018	Label			Su richiesta; Upon request	



barra speciale attacco registrabile

Ref.Nu	Qty	Part number	Description	Validity from	Validity till	Notes	Bulletin
1	1	F1303153	Sliding block				
2	1	YN6332800	Screw				
5	1	N6245800	Screw				
7	1	F0582687	Plate				
12	1	F1303153	Sliding block				
15	1	F1113112	Press blade (Long)				
16	1	N6321250	Screw				
17	1	F1303116	Plate			950 mm	
17	1	F1303117	Plate			1150 mm	
17	1	F1303118	Plate			1270 mm	
18	1	F0591593	Slide			1270 mm	
18	1	F0712027	Slide			950 mm	
18	1	F0712031	Slide			1150 mm	
22	1	N6322000	Screw				
23	1	YN0886600	Rivet				
24	1	F1113114	Tooth (Double)				
25	1	F1113114	Tooth (Double)				
26	1	F1073216R	Blade				
28	1	F1073276	Blade			1150 mm SP	
28	1	F1073277	Blade			1270 mm SP	
28	1	F1073349	Blade			950 mm SP	
29	1	YN6262200	Screw				
30	1	3819013R	Grower				
31	1	YF1073364	Valve				
32	1	N6433900	Screw				
33	1	F1073261	Rivet				
34	1	F1073363B	Clutch driver			Per barra SP; For SP bar	
35	1	3819013R	Grower				
36	1	3806063	Screw				
37	1	F1073273	Blade				

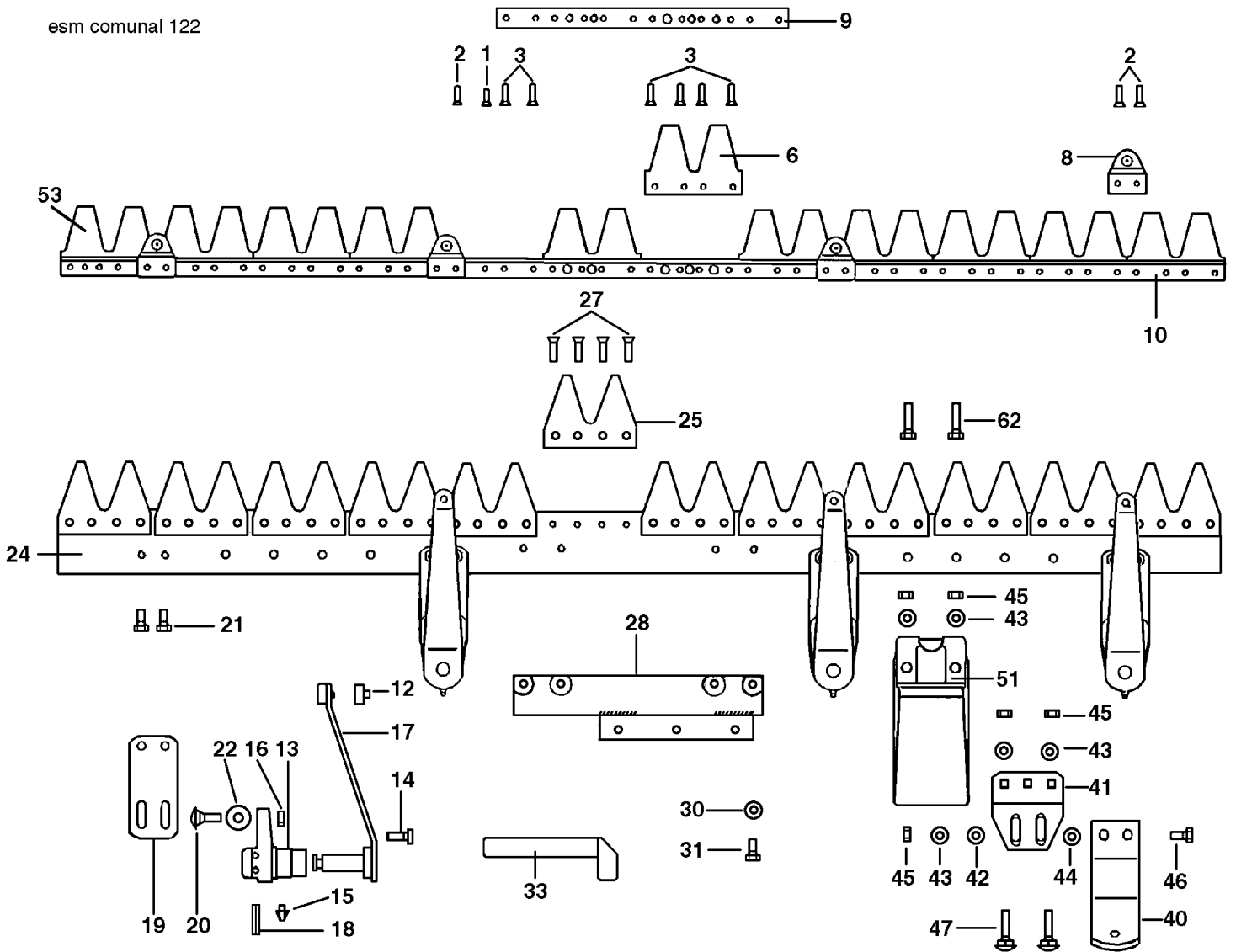
esm universal 102/122 clip clap



20-07-98

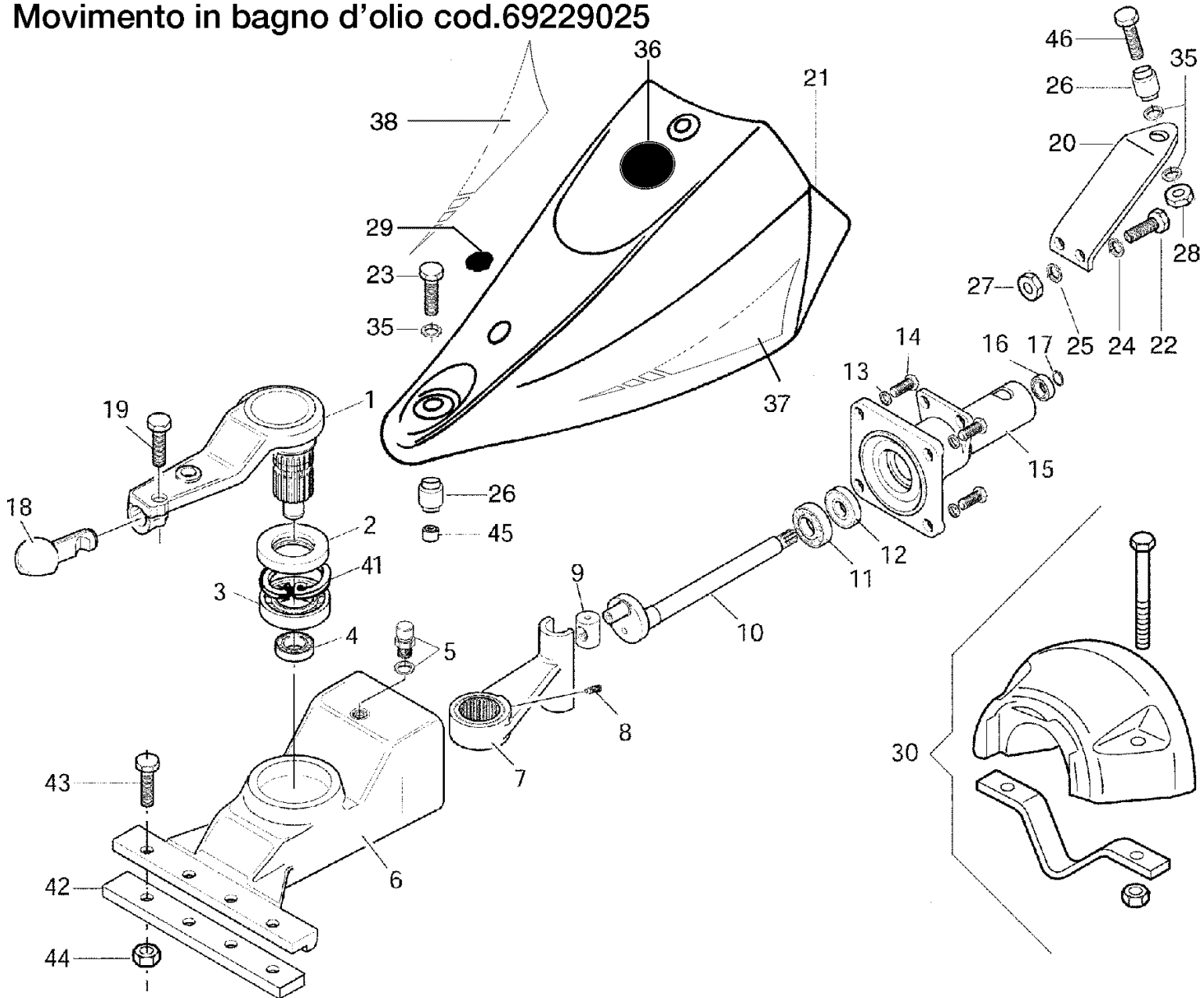
Ref.Nu	Qty	Part number	Description	Validity from	Validity till	Notes	Bulletin
1	1	R1504705	Rivet				
2	1	R1504706	Rivet				
3	1	F1073501	Plate				
4	1	F1073451	Shear blade (Double)				
5	1	F1073452	Shear blade (Double)				
6	1	F1073453	Slide				
7	1	F1073468	Shear blade			122 cm	
7	1	F1073502	Back (Blade)			102 cm	
8	1	N0892500	Rivet				
9	-	-	Not available for this product				
10	-	-	Not available for this product				
11	1	F1073456	Tooth (Double)				
12	1	F1073506	Back (Bar)			122 cm	
12	1	F1073505	Back (Bar)			102 cm	
13	1	F1073462	Screw				
14	1	F1073458	Plate				
15	1	F1073459	Bracket				
16	-	-	Not available for this product				
17	1	N1464800	Nut				
18	-	-	Not available for this product				
19	1	3806063	Screw				
20	1	F1073457	Pusher				
21	1	YN4365400	Washer				
22	1	YN6254600	Screw				
23	1	F1073401	Connection plate				
24	1	F1073430	Attachment (Sole)				
25	1	3806067R	Screw				
26	1	F1073428	Sole				
27	1	3916008R	Washer				
28	1	YN4365400	Washer				
29	1	R1504723	Nut				
30	-	-	Not available for this product				
31	-	-	Not available for this product				
32	1	F1073468	Shear blade			122 cm	
32	1	F1073467	Shear blade			102 cm	

esm comunal 122

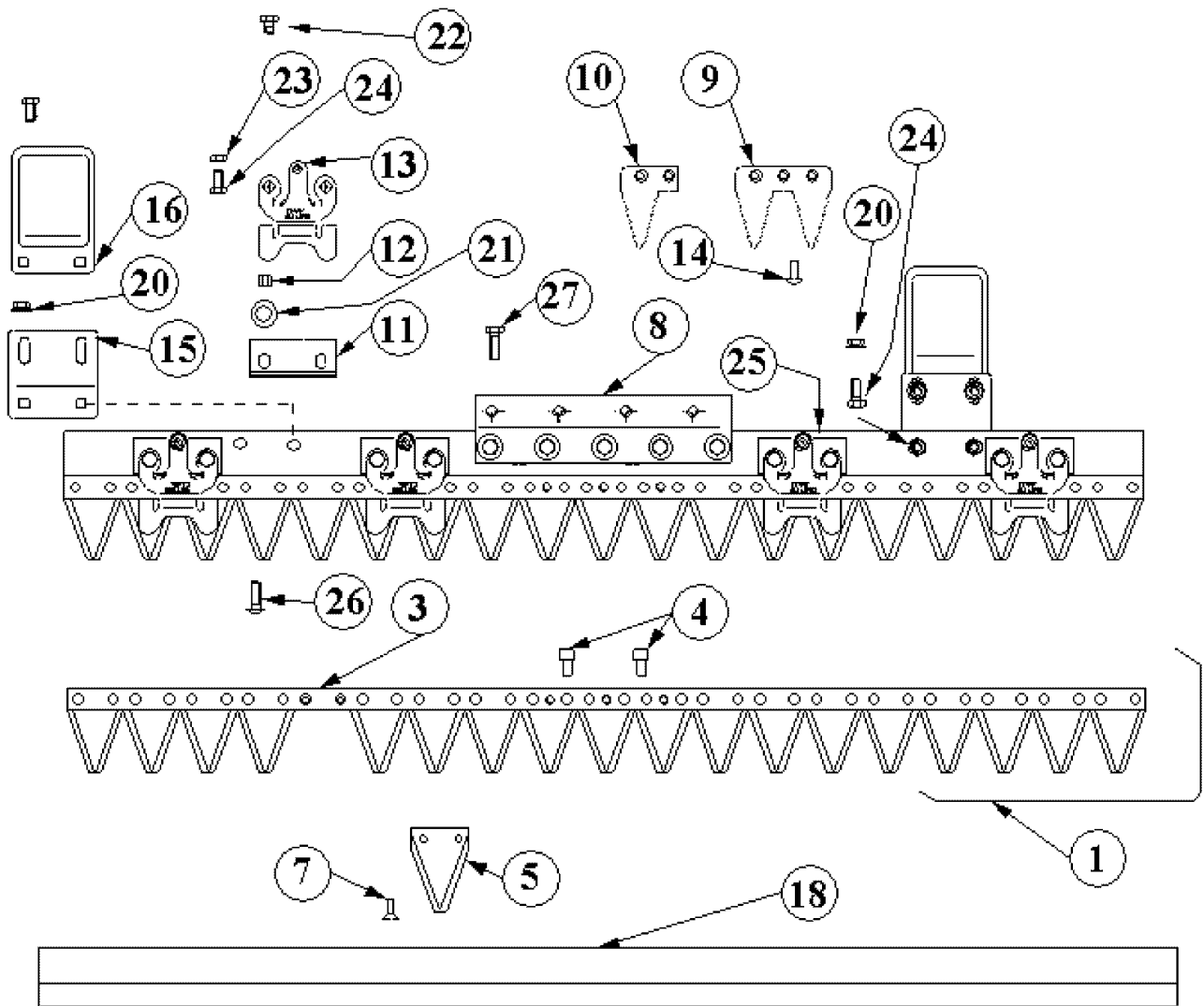


Ref.Nu	Qty	Part number	Description	Validity from	Validity till	Notes	Bulletin
1	1	R1504705	Rivet				
2	1	R1504706	Rivet				
3	1	F1073441	Rivet				
6	1	R1504709	Shear blade (Double)				
8	1	R1504764	Support				
9	1	F1073438	Plate				
10	1	F1073409	Shear blade			122 cm	
12	1	R1504773	Bushing				
13	1	R1504768	Support				
14	1	R1504769	Screw				
15	1	R1504770	Nipple				
16	1	R1504723	Nut				
17	1	R1504772	Swing arm				
18	1	R1504771	Pin				
19	1	F1073436	Plate				
20	1	F1073442	Screw				
21	1	N6249300	Screw				
22	1	R1504776	Washer				
24	1	F1073417	Back (Bar)			122 cm	
25	1	F1073422	Tooth (Double)				
27	1	N0892500	Rivet				
28	1	F1073401	Connection plate				
30	1	YN4365400	Washer				
31	1	YN6254600	Screw				
33	1	F1073415	Lever (Fitting)				
40	1	F1073428	Sole				
41	1	F1073430	Attachment (Sole)				
42	1	3916008R	Washer				
43	1	YN4365400	Washer				
44	1	F1073443	Washer				
45	1	R1504723	Nut				
46	1	3806067R	Screw				
47	1	R1504720	Screw				
51	1	F1073432	Slide shoe				
53	1	F1073409	Shear blade			122 cm	
62	1	3806070R	Screw				

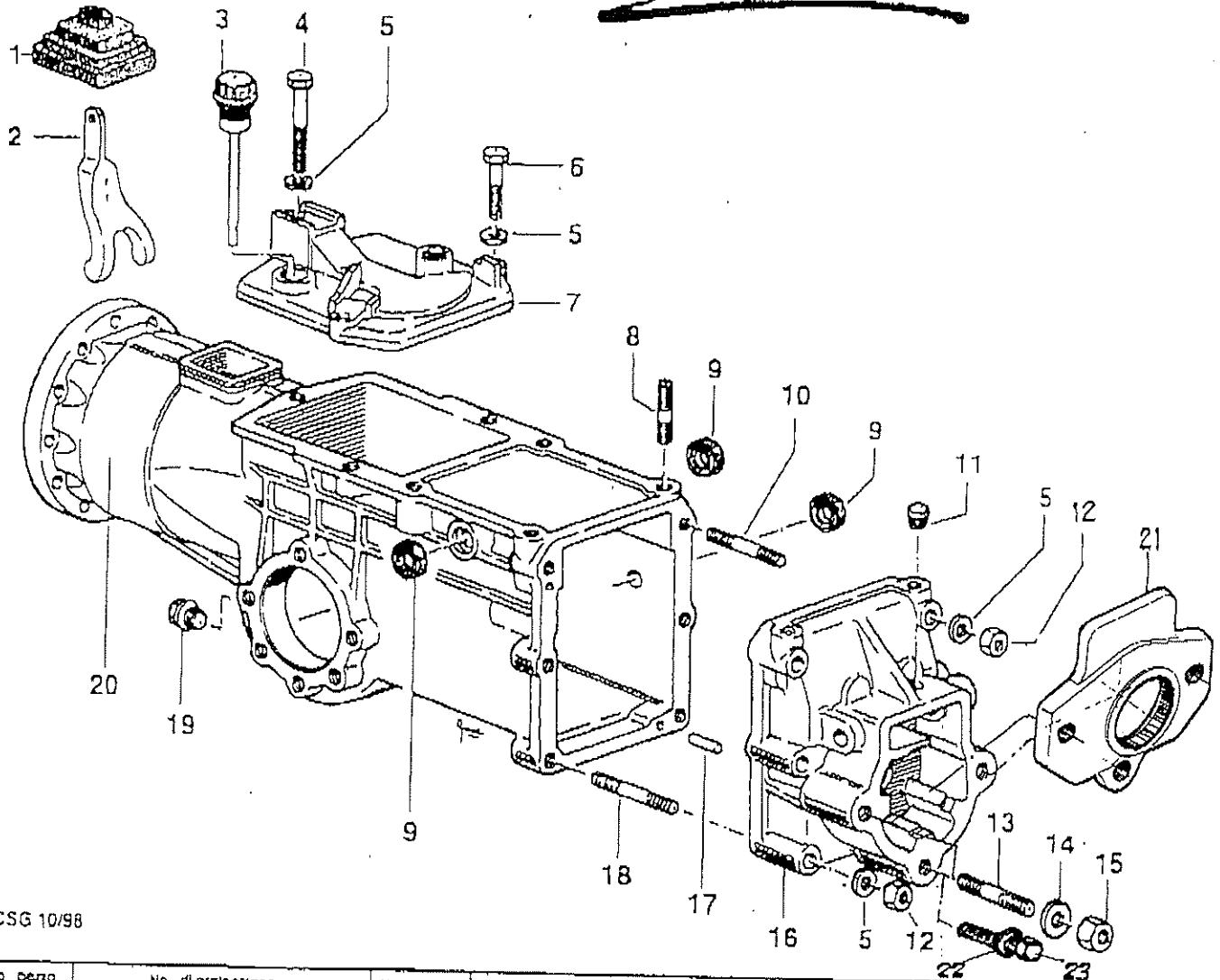
Movimento in bagno d'olio cod.69229025



Ref.Nu	Qty	Part number	Description	Validity from	Validity till	Notes	Bulletin
1	1	F1303156	Connecting rod				
2	1	YN0222805	Ring				
3	1	N1289200	Bearing				
4	1	YN1263701	Bearing				
5	1	K4101420	Cap				
6	1	F1303100	Housing				
7	1	F1303102	Connecting rod				
8	1	N6251000	Screw				
9	1	F1303106	Switch				
10	1	F1303108	Shaft				
11	1	N1272501	Bearing				
12	1	N0210045	Ring				
13	1	3819014R	Grower				
14	1	3806094R	Screw				
15	1	F1303101	Cover				
16	1	YN1263201	Bearing				
17	1	3024020R	Seeger				
18	1	F1303155	Pin				
19	1	3806094R	Screw				
20	1	F1303125	Support				
21	1	PA001254	Hood				
22	1	3806067R	Screw				
23	1	YN6402600	Screw				
24	1	3819013R	Grower				
25	1	3916008R	Washer				
26	1	N4924000	Silent block				
27	1	320000028R	Nut				
28	1	YN1470200	Nut				
29	1	N5265900	Cap				
30	1	L0105700	Set (Counterweight) Oil bath movement				
35	1	3916012	Washer				
36	1	68250018	Label				
37	1	68910014	Mark			Su richiesta; Upon request	
38	1	68910015	Mark			Su richiesta; Upon request	
41	1	N0140800	Seeger				
42	1	L0081100	Washer				
43	1	YN6332800	Screw				
44	1	YN1463650	Nut				
45	1	F1303133	Spacer				
46	1	N6399710	Screw				

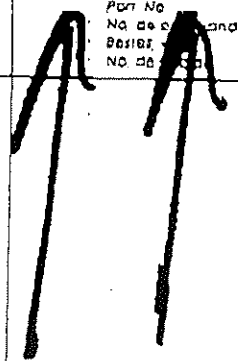


Ref.Nu	Qty	Part number	Description	Validity from	Validity till	Notes	Bulletin
1	1	LS471906	Complete Blade			97 cm	
1	1	LS472306	Complete Blade			117 cm	
1	1	LS472506	Complete Blade			127 cm	
1	1	LS472906	Complete Blade			147 cm	
3	1	LS3419225	Tube				
4	1	LS625231	Pin				
5	19	LS310067	Blade section			3 fori; 3 holes	
7	36	LS213611	Rivet				
8	1	LS627027	Plate				
9	9	LS623122	Plate			Dente doppio; Double tooth	
10	1	LS623125	Plate			Dente singolo; Singolo tooth	
11	6	LS621139	Blades support				
12	12	LS621144	Spacer				
13	6	LS621230	Press blade				
14	24	LS215619	Rivet				
15	2	LS621136	Support				
16	2	LS621172	Sliding block				
18	1	LS625056	Guard 97 cm			97 cm	
18	1	LS625061	Guard cm 117			117 cm	
18	1	LS625062	Guard cm 127			127 cm	
18	1	LS625064	Guard cm 147			147 cm	
20	8	LS7060008	Nut				
21	12	3916008R	Washer				
22	12	LS7000810	Screw				
23	6	320000028R	Nut				
24	4	LS7190825	Screw				
25	1	LS626923	Plate			97 cm	
25	1	LS626918	Plate			117 cm	
25	1	LS626924	Plate			127 cm	
25	1	LS626925	Plate			147 cm	
26	12	LS7190822	Screw				
27	5	3806063	Screw				



CSG 10/98

No. pezzo No. nimm No. pièce No. END No. pieza	No. di ordinazione Part No. No. de commande Bestell - Nr. No. de pedido	No. pezzo No. piece No. pièce No. END No. pieza	No. di ordinazione Part No. No. de commande Bestell - Nr. No. de pedido	No. pezzo No. piece No. pièce No. END No. pieza	No. di ordinazione Part No. No. de commande Bestell - Nr. No. de pedido
1	F75.1646	17	N5.1243.00 6x20mm		
2	F75.0011	18	N3.8257.00		
3	F129.0819	19	N5.2540.00		
4	N6.2944.00	20	F129.0801		
5	N4.3654.00	21	F129.0820		
6	N6.2741.00	* 13	N3.8662.00 3866200		
7	F129.0818 (411)	22	N4.3843.60		
	F129.0802 (410)	23	N6.3879.50		
8	N3.8125.00				
9	N2030.00 14x22x4				
10	N3.8245.00				
11	F75.0835				
12	N1.4585.00				
* 13	N3.8615.00 19/2x30				
14	N4.3877.00 K 430.2510				
15	N1.4705.00				
16	F129.0817				

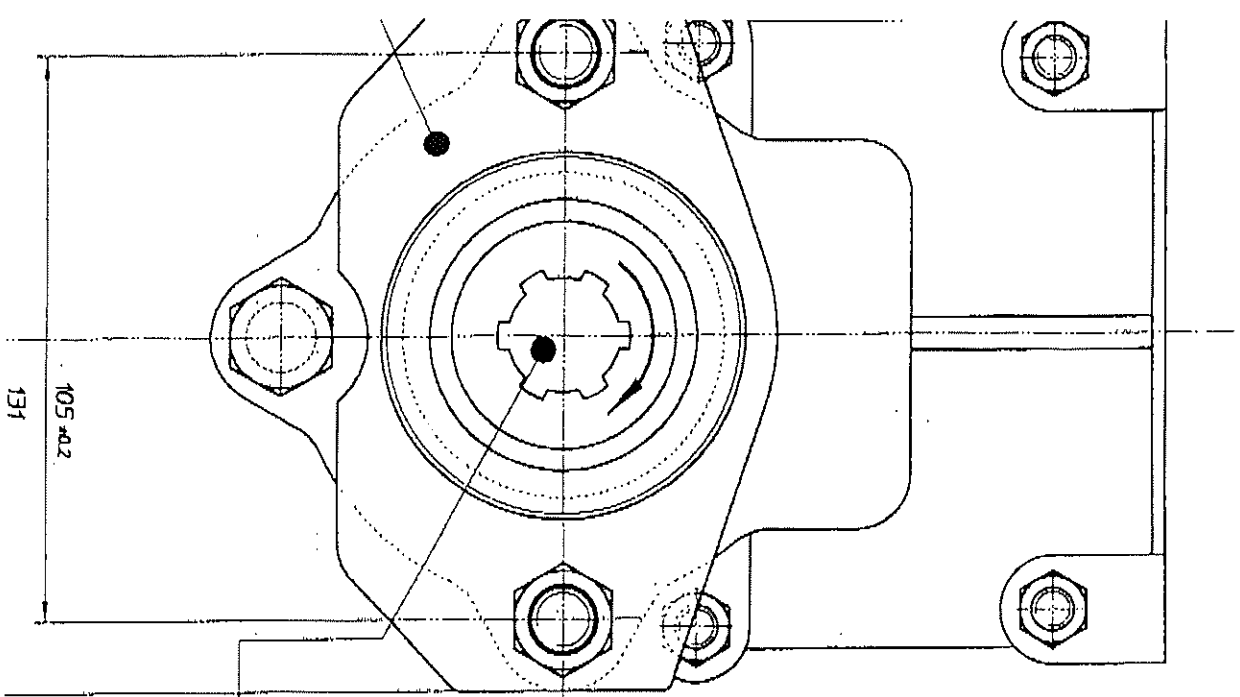


HAFOG
 Salg. Service. Fabrikation. Import
 Lyngager 5-9 2805 Brandby
 Telefon 43 98 66 11. Fax 43 28 66 25

Segnalazioni di validità
 Usage code
 Signalements de validité
 Gültigkeitsvermerk
 Indicación de validez

FICHES

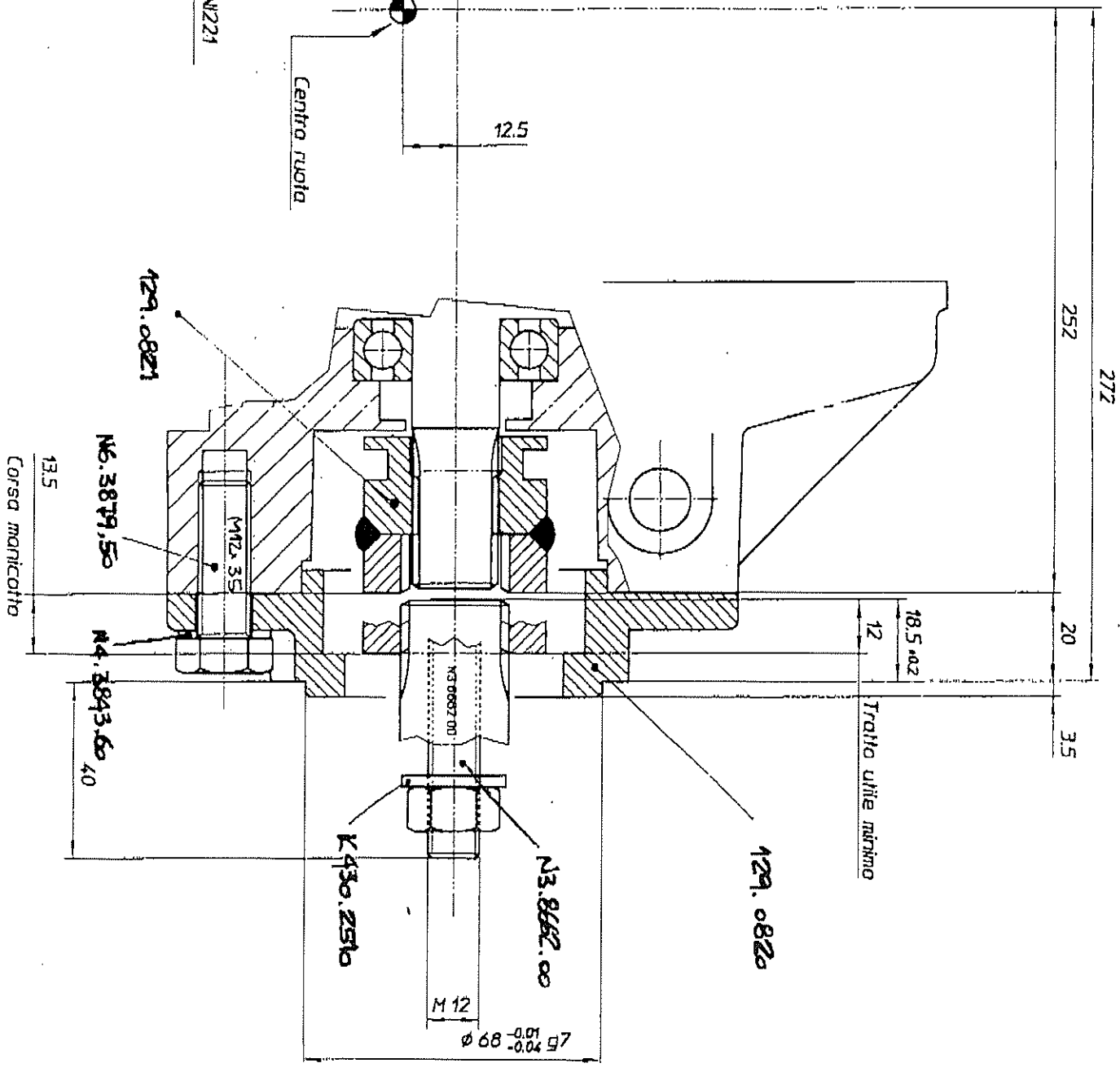




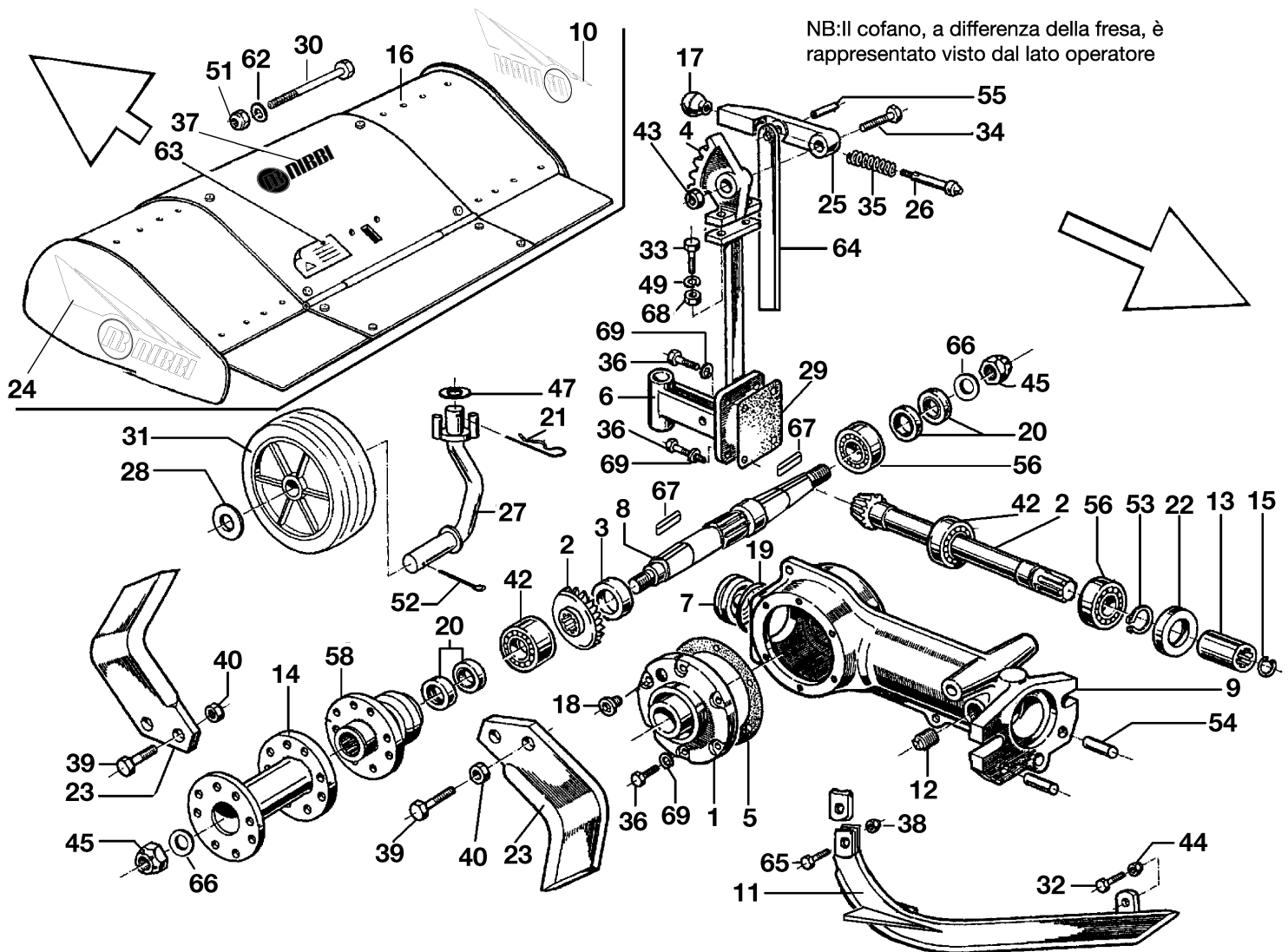
Scanalato UN221

Centro ruota

12.5

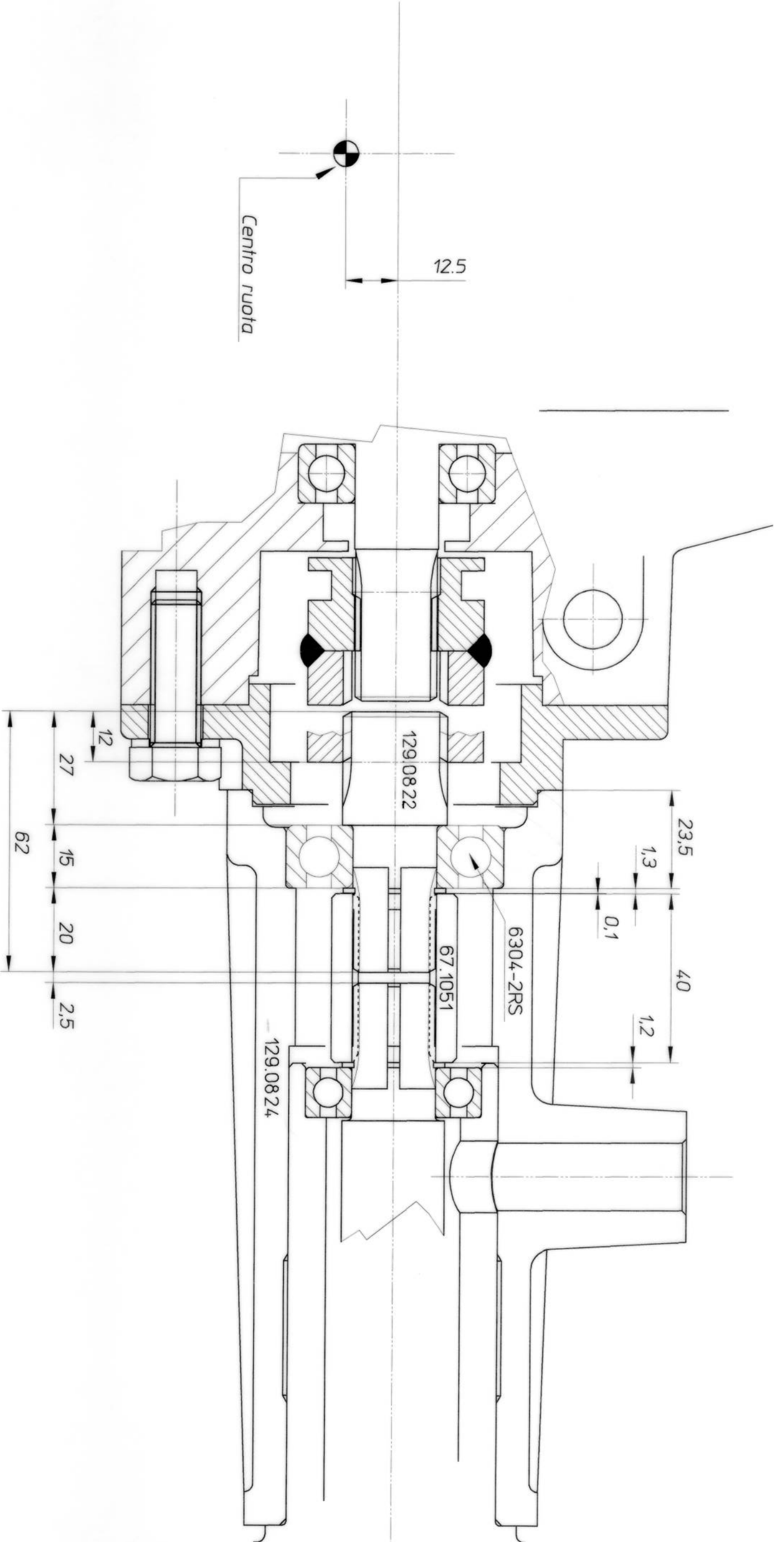



69219013 - 69219008 - 69219012



Ref.Nu	Qty	Part number	Description	Validity from	Validity till	Notes	Bulletin
1	1	K1101060	Cover				
2	1	K4806930	Set bevel gear				
3	1	K4801310	Spacer				
4	1	K4302350	Sector				
5	1	K1101100	Gasket				
6	1	K4808008	Support (Wheel)				
7	1	K4302520	Cap				
8	1	K4808060	Shaft				
9	1	K1101070	Arm				
10	1	68330029	Mark			Su richiesta; Upon request; DX; RIGHT	
11	1	F0015613	Cutter tool				
12	1	K8535002	Cap				
13	1	K1101080	Joint				
14	1	69210038	Spacer				BT12-002- 11/10
15	1	028200019	Ring				
16	1	PA001873	Hood			60+40 cm; Rosso; Red	
16	1	PA001872	Hood			70+60 cm; Rosso; Red	
16	1	PA001860	Hood			80+60 cm; Rosso; Red	
17	1	K8211001	Knob				
18	1	K8536002	Cap				
19	1	K7035045	O-ring				
20	1	N0209200	Ring				
21	1	N1054500	Cotter pin				
22	1	N0210045	Ring				
23	1	R0000138	Cutters kit			Per fresa 70 cm, kit composto da: F0015602, DX, 10pz + F0015603, SX, 10pz; For tiller 70 cm, set composed by: F0015602, RIGHT, 10pcs + F0015603, LEFT, 10pcs	
24	1	68330030	Mark			Su richiesta; Upon request; SX; LEFT	
25	1	K22035508	Lever				
26	1	K2203560	Piston pin				
27	1	K3501830	Support				
28	1	3916020	Washer				
29	1	K1101230	Gasket				
30	1	N6417235	Screw				
31	1	K1102480	Wheel				
32	1	3806067R	Screw				
33	1	YN6335900	Screw				
34	1	N6399710	Screw				
35	1	K7903026	Spring				
36	1	N6254500	Screw				
37	1	68610007	Mark			Su richiesta; Upon request	
38	1	N1458800	Nut				
39	1	N6262100	Screw				
39	1	N6274000	Screw				
40	1	N1463500	Nut	06/2009			
42	1	N1270751	Bearing				
43	1	K7272009	Nut				
44	1	K7275003	Nut				
45	1	N1482500	Nut			DX; RIGHT	
45	1	N1482600	Nut			SX; LEFT	
47	1	3916020	Washer				
49	1	3819014R	Grower				
51	1	YN1470200	Nut				
52	1	YN1060200	Cotter pin				
53	1	YN0118500	Seeger				
54	1	K8504014	Pin				
55	1	K8503039	Pin				
56	1	YN1270701	Bearing				
58	1	K4808050	Support				
62	1	3916012	Washer				
63	1	F0015577	Mark (Danger)			Su richiesta; Upon request	
64	1	F0015612	Rod				
65	1	3806065	Screw				

66	1	N4418000	Washer
67	1	YN0652200	Key
68	1	N1464600	Nut
69	1	N4364350	Washer



Imodi		Data		Oggetto modifica		Firma		Controllo	
● CARATTERISTICA CRITICA		● CARATTERISTICA IMPORTANTE		NESSUN SIMBOLO		● CARATTERISTICA NORMALE			
Materiale:	UNI:	Tolleranze generali	Grezzi	Lungh. e diametri $\pm 0.5\%$ max $\pm 1\text{mm}$	Spess. 10% con minimo di 1mm	Angoli $\pm 2^\circ$	Lavorati	Lungh. e diam. fino a 18 ± 0.15	da 18 a 80 ± 0.25 , > 80 ± 0.40
Stato:	UNI:	Denominazione:							
Tratt. Term.:	UNI:	Appl. flang. MAK6/7 SU KAM4/5 per MBO							
Tratt. prof. superf.:	UNI:	Gruppo:	Macchina:						
Resistenza (kg/mm ²):	Durezza HRC:	 REGGIO EMILIA ITALY							
		Scala:		Disegnato da:		N° pezzi:		Data:	
		1:1		Gazzotti F.				06/07/00	
				Controllato da:					
								Disegno N°:	
								129.00000.00	