



our **power**, your **passion**

## NIBBI BRIK 3

(ÅRG. 2009 TIL 2012)



HENRIK A.  
**HAFOG**®

Henrik A. Fog A/S

Lyngager 5-11

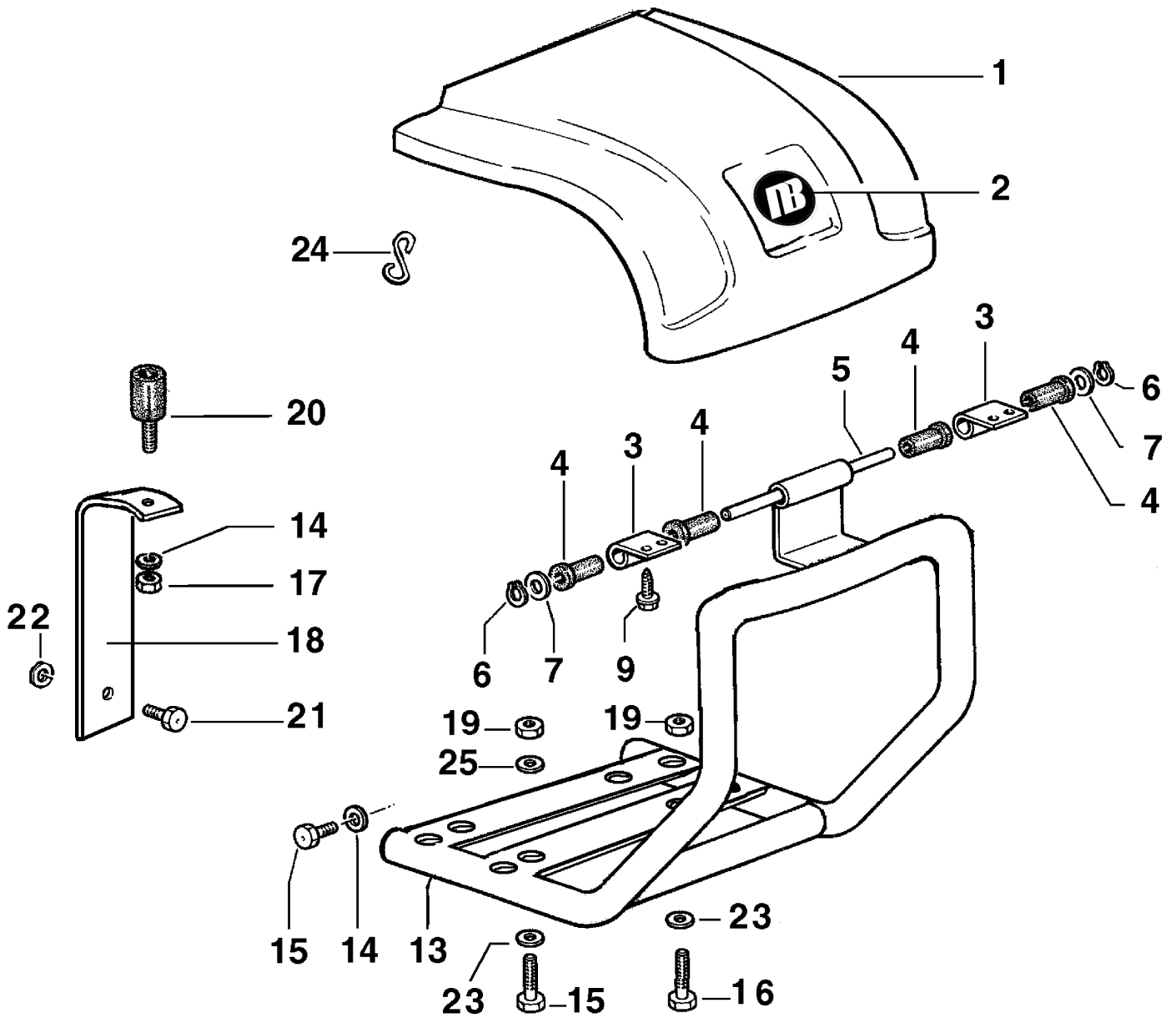
2605 Brøndby

Tel 43966611

Fax 43266624

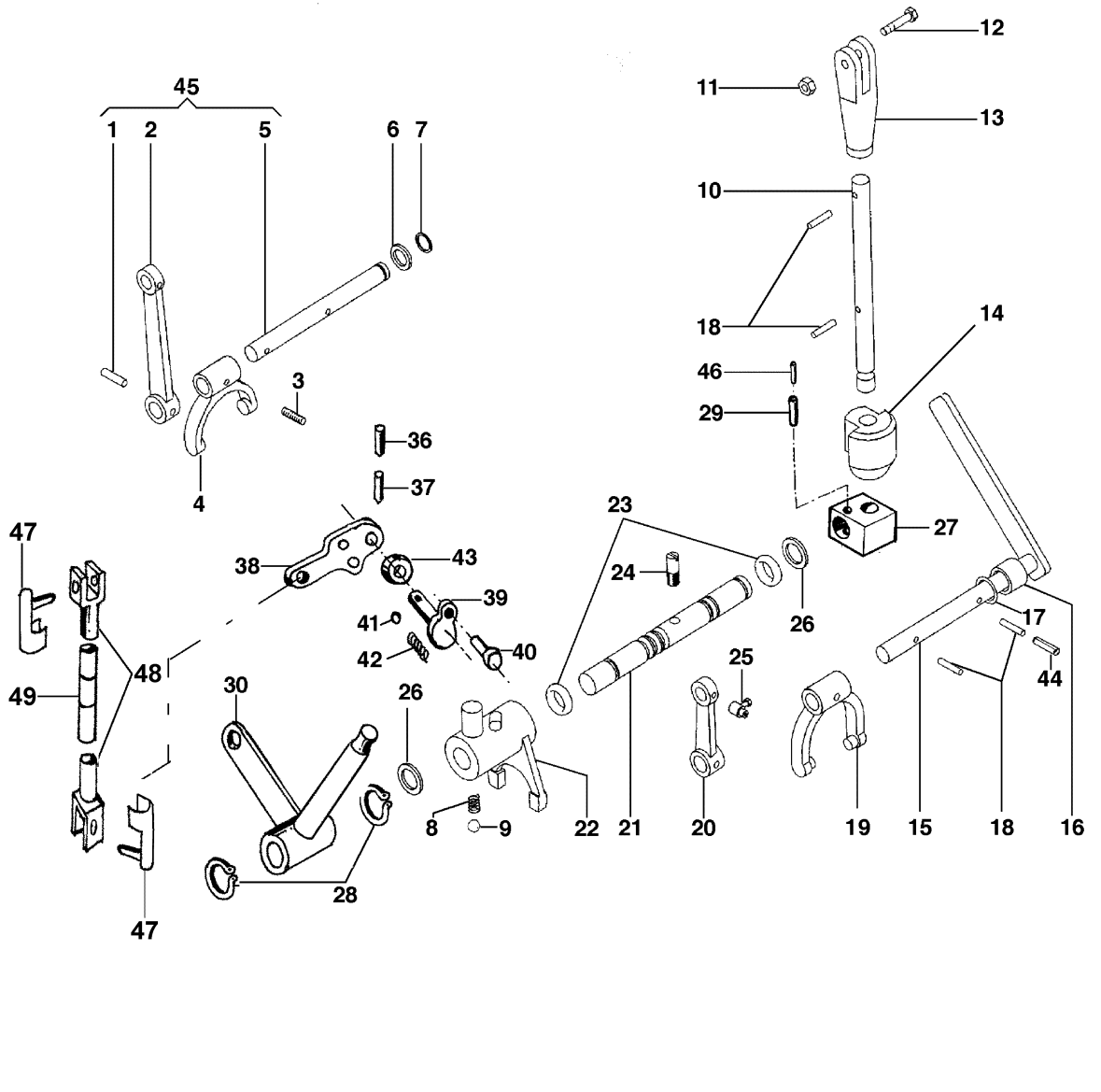
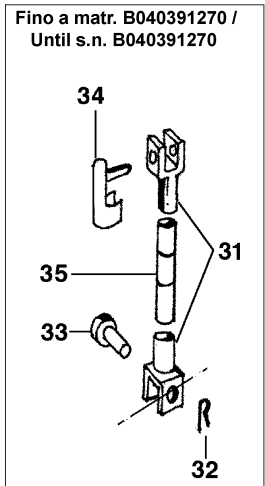
[reservedele@hafog.dk](mailto:reservedele@hafog.dk)

[www.hafog.dk](http://www.hafog.dk)

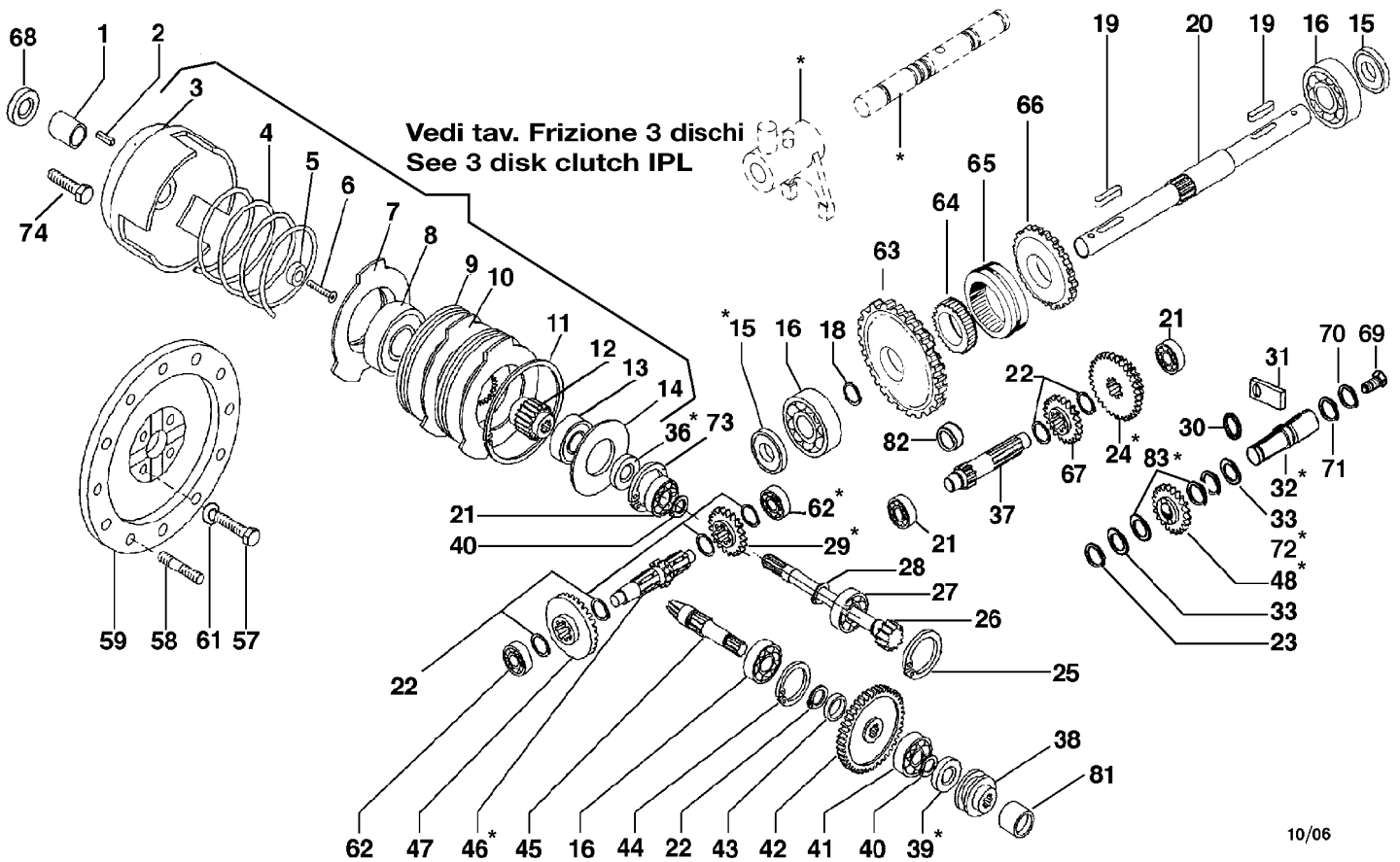


csg 07/06

Ref.Nu	Qty	Part number	Description	Validity from	Validity till	Notes	Bulletin
1	1	68310020	Hood			Honda GX160; Honda GC160; A230; Rosso; Red	
2	1	68320084	Mark			Su richiesta; Upon request	
3	1	F1292105	Support			Honda GX160; Honda GC160; A230	
4	1	N0400700	Bushing			Honda GX160; Honda GC160; A230	
5	1	F1292106	Pin			Honda GX160; Honda GC160; A230	
6	1	N0102900	Ring			Honda GX160; Honda GC160; A230	
7	1	3916010R	Washer			Honda GX160; Honda GC160; A230	
9	1	N6243654	Screw			Honda GX160; Honda GC160; A230	
13	1	68910044	Guard			A349	
13	1	68910039	Guard			15LD225; Yanmar L48; Grigio; Grey	
13	1	68310031B	Support (Hood)			Honda GX160; Honda GC160; Grigio; Grey	
13	1	F1252117	Protective guard			A230	
14	1	YN4365400	Washer				
15	1	N6294400	Screw			Honda GX160; Honda GC160	
15	1	3806070R	Screw			A230	
15	1	YN6335900	Screw			15LD225; Yanmar L48	
16	1	3806063	Screw			A349	
16	1	3806065	Screw			A230	
16	1	3806067R	Screw			Honda GX160; Honda GC160	
17	1	320000028R	Nut				
18	1	68310033	Support			Honda GX160; Honda GC160; Grigio; Grey	
18	1	F1252122	Support			A230	
19	1	3914010R	Nut			Honda GX160; Honda GC160	
19	1	006000091R	Nut			A230; 15LD225; Yanmar L48	
20	1	F0752159	Silent block			Honda GX160; Honda GC160; A230	
21	1	3806065	Screw			Honda GX160; Honda GC160	
22	1	320000028R	Nut				
23	1	YN4365400	Washer			Honda GX160; Honda GC160; A230	
23	1	YN4376400	Washer			15LD225; Yanmar L48	
24	1	F0005621	Hook			Honda GX160; Honda GC160	
25	1	3916008R	Washer			Honda GX160; Honda GC160	



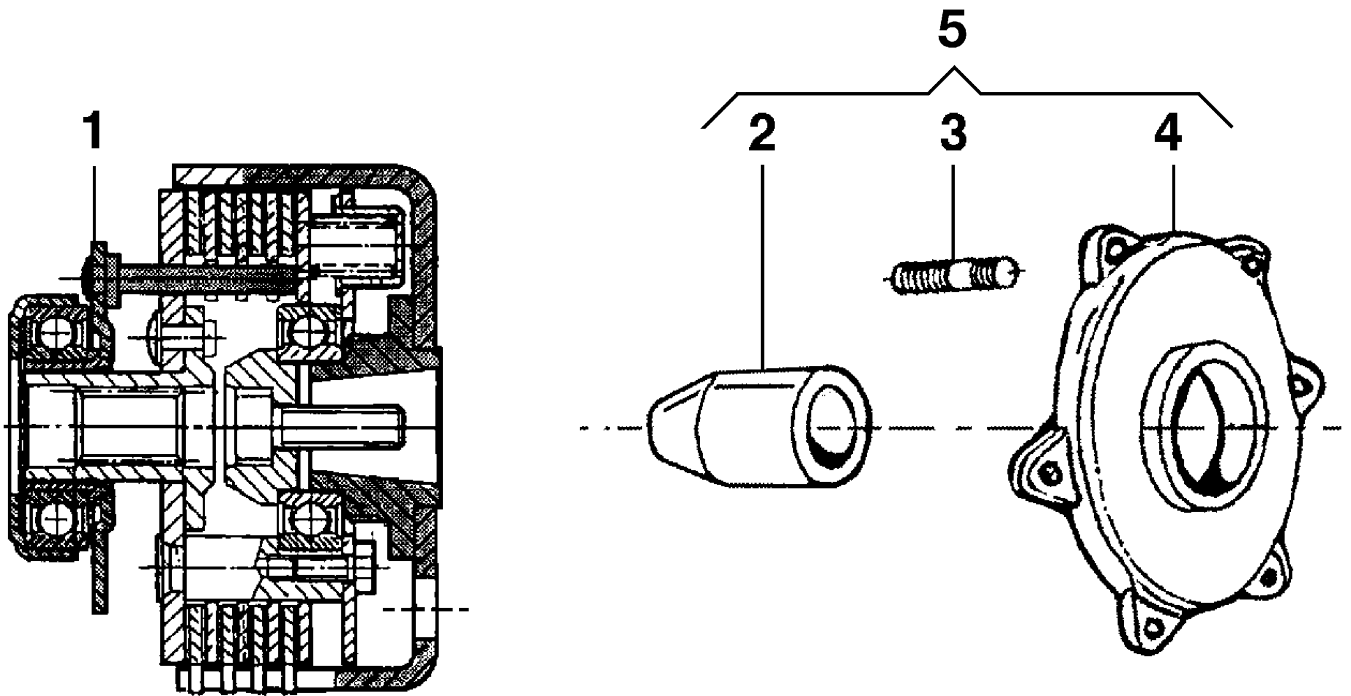
Ref.Nu	Qty	Part number	Description	Validity from	Validity till	Notes	Bulletin
1		-	Not available for this product				
2		-	Not available for this product				
3	1	K3501070	Screw				
4	1	K3500940	Clip				
5		-	Not available for this product				
6	1	N5001700	Washer				
7	1	3024012	Ring				
8	1	N3101500	Spring				
9	1	N4743200	Ball				
10	1	F1241613	Lever				
11	1	3914006R	Nut				
12	1	3801024	Screw				
13	1	F1241619	Bushing				
14	1	F1241614	Shoe				
15	1	F1241623	Shaft (Complete)				
16	1	N0403000	Bushing				
17	1	3916012	Washer				
18	1	N5113800	Pin				
19	1	K3500140	Clip				
20	1	K3500510	Lever				
21	1	F1250865A	Shaft				
22	1	F1250860D	Clip				
23	1	N0306000	O-ring				
24	1	F1250816C	Screw				
25	1	N5901500	Clamp				
26	1	N5002600	Washer				
27	1	F1241616	Support				
28	1	3024016	Seeger				
29	1	N5126100	Pin				
30	1	F1251643	Lever				
31	1	N6003010	Clip			SN B040391270	
32	1	YN1050600	Cotter pin			SN B040391270	
33	1	K8192001	Pin			SN B040391270	
34	1	K8197002	Pin			SN B040391270	
35	1	F1251644A	Rod			SN B040391270	
36	1	N5126100	Pin				
37	1	N5109400	Pin				
38	1	F1251645	Lever				
39	1	F1251646	Cam				
40	1	YF1291604	Sliding block				
41	1	YN4745400	Ball				
42	1	YN3104250	Spring				
43	1	YN0203000	Ring				
44	1	N5101450	Pin				
45	1	F1250856	Control rod				
46	1	N5109400	Pin				
47	2	K8197002	Pin		SN B040391271		
48	2	N6003010	Clip		SN B040391271		
49	1	F1251644A	Rod		SN B040391271		



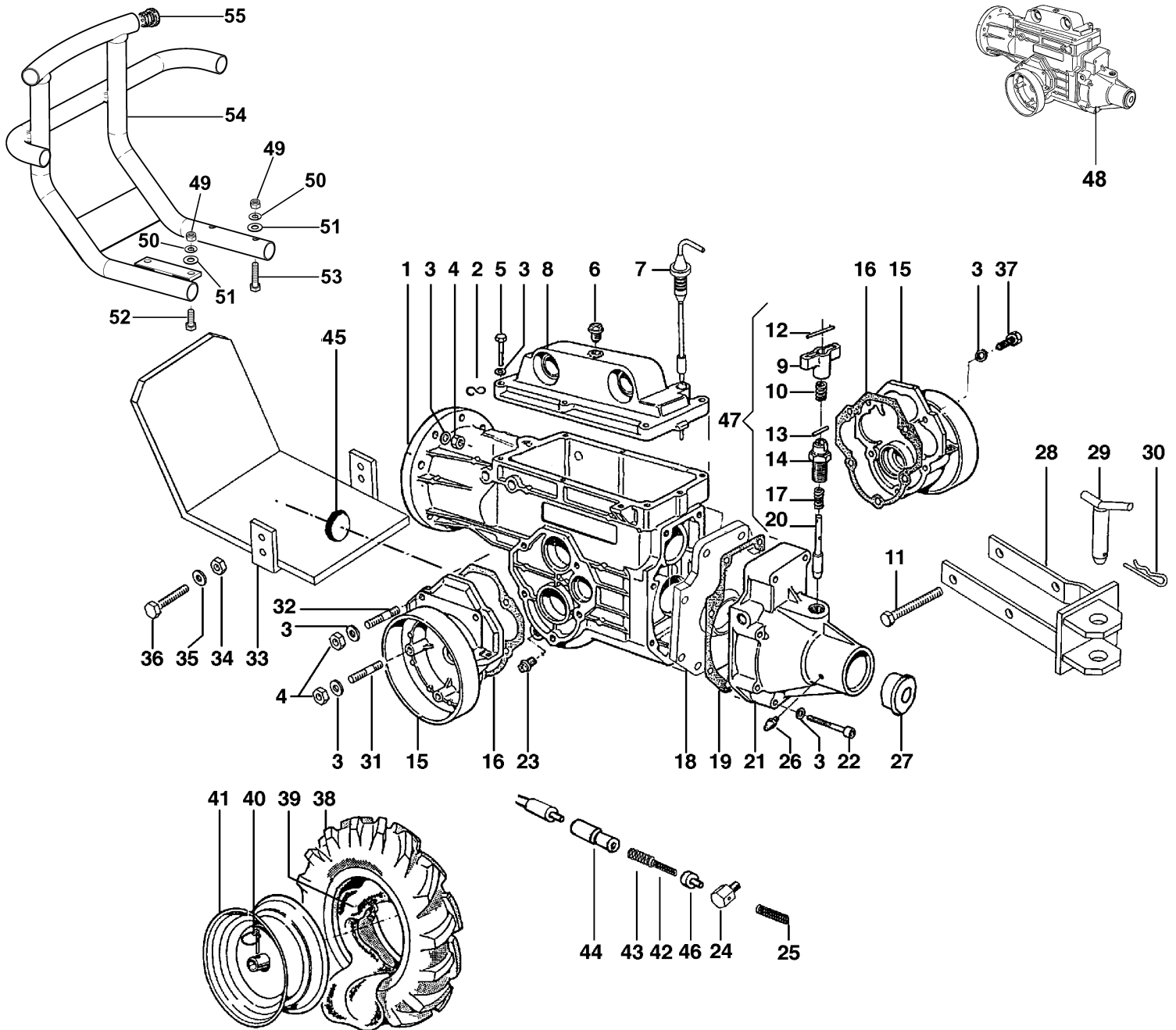
Ref.Nu	Qty	Part number	Description	Validity from	Validity till	Notes	Bulletin
1	1	F1250008	Spacer			SN 3463	
2	1	YN0643450	Key			Honda; B&S; Tecumseh; Kohler	
3	1	F1250009	Clutch drum			Honda; B&S; Tecumseh; Kohler	
3	1	K3500860	Clutch drum				
4	1	K3500900	Spring				
5	1	K3500930	Washer				
6	1	K3501030	Screw			Honda; B&S; Tecumseh	
6	1	K8715023	Screw			EURO; ACME	
6	1	YN6265500	Screw				
7	1	K3500870	Disk				
8	1	N1274550	Bearing				
9	1	K3500880	Clutch disc				
10	1	K3500890	Spacer				
11	1	N0143300	Ring				
12	1	K3500920	Sleeve				
13	1	YN1263201	Bearing				
14	1	K3500910	Washer				
15	1	YN0207300	Ring				
16	1	N1263100	Bearing				
17	1	R0000129	Unit (Inverter)		SN 8358 (03/2006)		
18	1	N0118510	Seeger				
19	1	YK7811007	Key				
20	1	F1250836	Shaft				
21	1	YN1257000	Bearing				
22	1	3024020R	Seeger				
23	1	3024012	Ring				
24	1	F1250864	Gear	SN 8359 (04/2006)			
25	1	N0130000	Seeger				
26	1	F1240800	Shaft				
27	1	YN1258800	Bearing				
28	1	YN0112700	Seeger				
29	1	F1250861	Gear	SN 8359 (04/2006)			
30	1	N0306000	O-ring				
31		-	Not available for this product				
32	1	F1250863	Axle	SN 8359 (04/2006)			
33	1	YK8491006	Washer				
36	1	N0204850	Ring				
37	1	F1250830	Shaft				
37	1	F1250852	Shaft			Cambio veloce, ingranaggio; Speed gear, gear	
37	1	F1250854	Shaft			Cambio veloce, albero; Speed gear, shaft	
38	1	F1250805	Bushing				
38	1	F1250851	Bushing			Solo per versioni speciali: cambio veloce, lato attrezzo; Only for special version: speed gear, tool side	
39	1	K7032002	Ring				
40	1	3024015	Seeger				
41	1	N1257700	Bearing				
42	1	F1250804	Gear				
43	1	F1250808	Spacer				
44	1	N0130900	Seeger				
45	1	F1250809	Sprocket				
46	1	F1250862	Shaft	SN 8359 (04/2006)			
47	1	F1250810	Rim				
48	1	F1250866	Gear	SN 8359 (04/2006)			
57	1	YN6243980	Screw			Honda; B&S; Tecumseh; Kohler	
58	1	N3812500	Stud			Honda; B&S; Tecumseh; Kohler	
59	1	F1050027G	Flange			Honda GC160; B&S; Tecumseh; Kohler	
59		68310038A	Flange			Honda GX160	
61	1	YN4365400	Washer			Honda; B&S; Tecumseh; Kohler	
62	1	094000006R	Bearing				
63	1	F1250834	Gear				
63	1	F1250853	Gear			Cambio veloce; Speed gear	
64	1	F1250832	Sleeve				
65	1	F1250833	Sleeve				

66	1	F1250835	Gear	
67	1	F1250829	Gear	
68		-	Not available for this product	
69	1	YN6247400	Screw	
70	1	YN4371100	Washer	
71	1	YN4365400	Washer	
72	1	N5001900	Washer	SN 8359 (04/2006)
72	1	N5001950	Washer	SN 8359 (04/2006)
73	1	3025022R	Seeger	
74	1	N6195000	Screw	
74	1	YN6195100	Screw	Tecnamotor
81	1	F1250859	Shaft joint	Cambio veloce, lato attrezzo; Speed gear, tool side
82	1	F1250855	Spacer	Cambio veloce; Speed gear
83	1	K7259005	Roller cage	SN 8359 (04/2006)

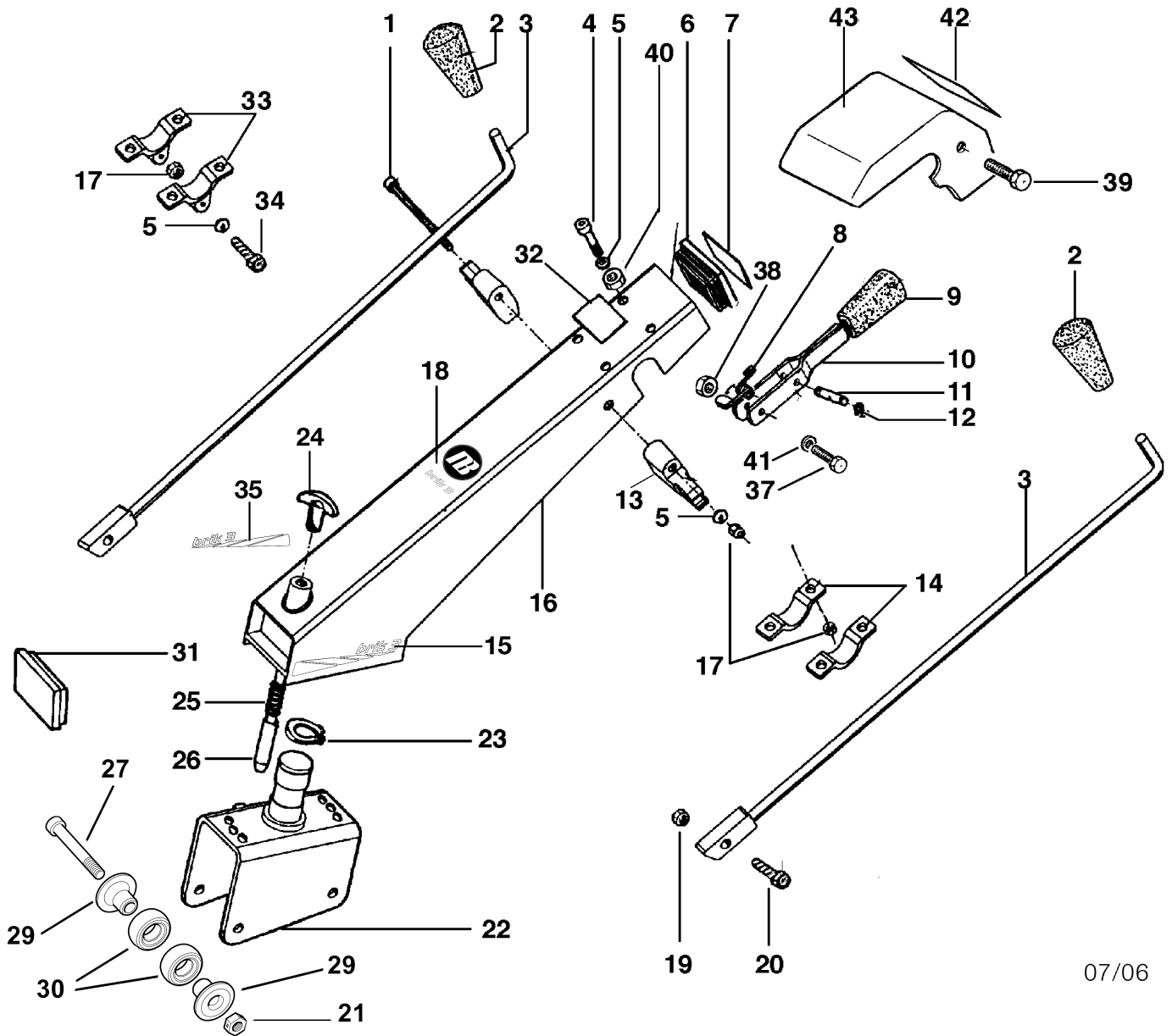




Ref.Nu	Qty	Part number	Description	Validity from	Validity till	Notes	Bulletin
1	1	F1200027	Clutch 3 disk			Honda GC160; BH40; Geotech 50	
1	1	F1200028	Clutch 3 disk			Motori europei e Yanmar L48; European engines and Yanmar L48	
1	1	F1200029	Clutch 3 disk			Honda GX160; B&S; Robyn EX17; Kohler CS6	
1	1	F1200030	Clutch 3 disk			Robyn EY20 tipo Q	
1	1	F1200031	Clutch 3 disk			A220; A230; 15LD225; 15LD315; LGA226	
1	1	F1200033	Clutch			G200S	
2	1	F1210002	Spacer			A220; A230; 15LD225; 15LD315; LGA226	
3	1	K8236004	Stud			A220; A230; 15LD225; 15LD315; LGA226	
3	1	N3815300	Stud			Motori senza distanziale; Engines without spacer	
4	1	F1210001	Spacer			A220; A230; 15LD225; 15LD315; LGA226	
5	1	P1200020	Spacer unit			A220; A230; 15LD225; 15LD315; LGA226	

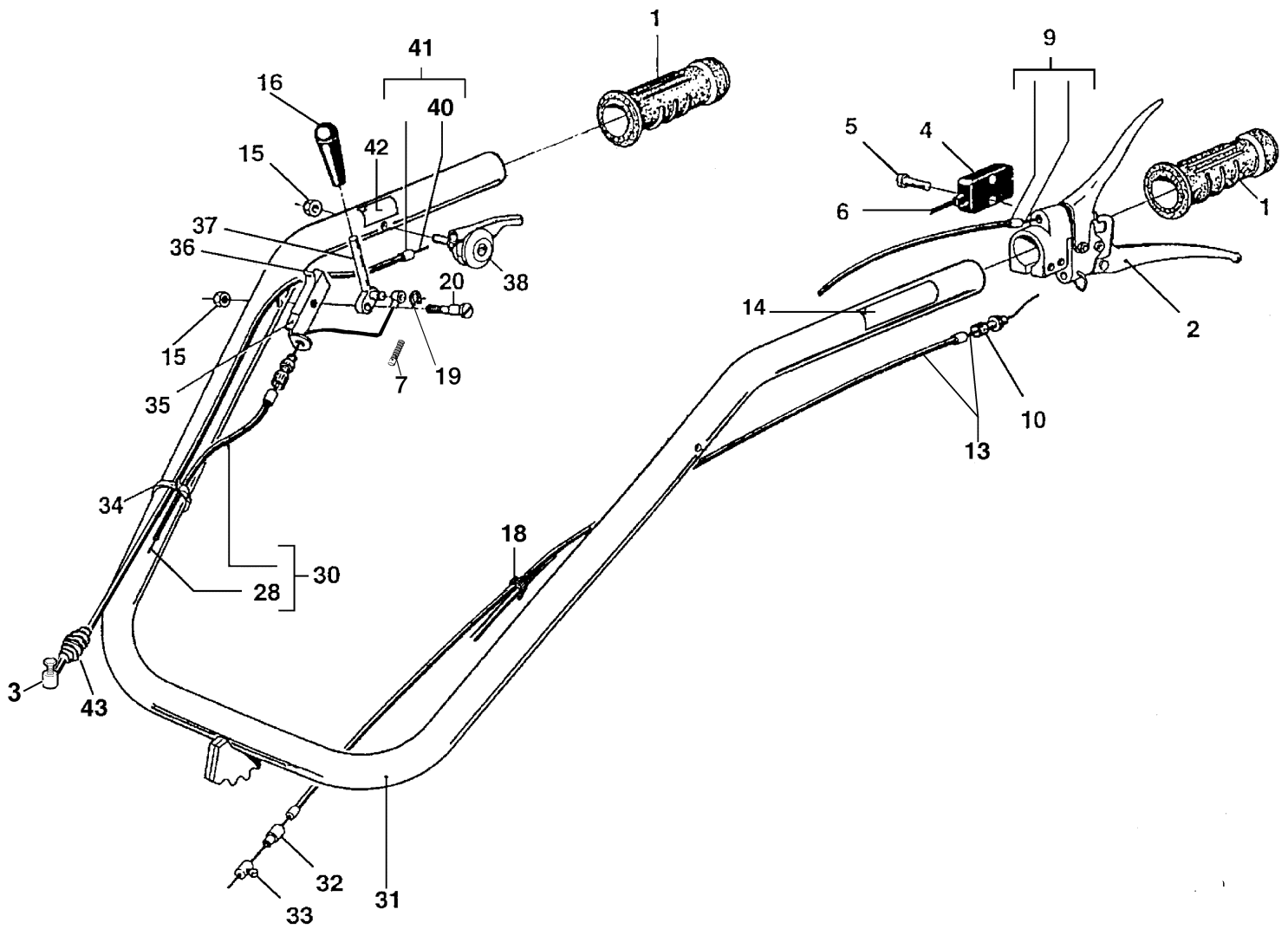


Ref.Nu	Qty	Part number	Description	Validity from	Validity till	Notes	Bulletin
1	1	F1250822	Speed-change gear box				
2	1	F0005621	Hook				
3	1	YN4365400	Washer				
4	1	320000028R	Nut				
5	1	3806067R	Screw				
6	1	N5253930	Cap				
7	1	K3500410	Rod				
8	1	K3500400	Cover				
9	1	K3500330A	Knob				
10	1	K7903016	Spring				
11	1	YN6361500	Screw				
12	1	N5106600	Pin				
13	1	3022012	Pin				
14	1	F1250843	Shutter				
15	1	K3500420	Cover (Wheel)				
16	1	K3500470	Gasket				
17	1	YK3503360	Spring				
18	1	F1250806	Flange				
19	1	K3500460	Gasket				
20	1	F1250842	Shutter				
21	1	F1250807	Support				
22	1	YN6291000	Screw				
23	1	K8536001	Cap				
24	1	F1241618	Retainer (Sheath)				
25	1	K7903009	Spring				
26	1	N2603800	Nipple				
27	1	321000001	Cap				
28	1	L0060900	Towing hitch				
29	1	F0751647	Pin				
30	1	N5148800	Cotter pin				
31	1	N3825650	Stud				
32	1	N3813200	Stud				
33	1	68910042	Guard			15LD315	
33	1	68910044	Guard			IM300; IM359; A349	
33	1	68910039	Guard			15LD225; Grigio; Grey	
34	1	320000028R	Nut				
34	1	006000091R	Nut			15LD315	
35	1	YN4365400	Washer				
35	1	YN4376400	Washer			15LD315	
36	1	3806074R	Screw			B&S; Honda; Tecnamotor	
36	1	3806063	Screw			A220; LGA225	
36	1	YN6335900	Screw			15LD315	
37	1	3806067R	Screw				
38	1	N4851600	Tire			4.00-8	
38	1	N4852000A	Tire			4.00-10	
39	1	N4881100	Inner tube			4.00-8	
39	1	N4881310	Inner tube				
39	1	N4881500	Inner tube			4.00-10	
40	1	YK8514001	Pin				
41	1	69200044I	Rim			4.00-8	
41	1	69200045	Rim			4.00-10"; Grigio; Grey	
41	1	69200046	Rim				
42	1	K7903004	Spring				
43	1	K7903018	Spring				
44	1	YK1101850	Spring holder				
45	1	YN5265050	Cap				
46	1	N5852100A	Clamp				
47	1	R0000127	Set shutter				
48	1	P0001749D	Unit (Gear)				
49	1	3914010R	Nut			Kohler CS6	
50	1	YN4365400	Washer			Kohler CS6	
51	1	3916008R	Washer			Kohler CS6	
52	1	3806067R	Screw			Kohler CS6	
53	1	N6294400	Screw			Kohler CS6	
54	1	F1292210	Bumper			Kohler CS6	
55	1	N5267400	Cap			Kohler CS6	



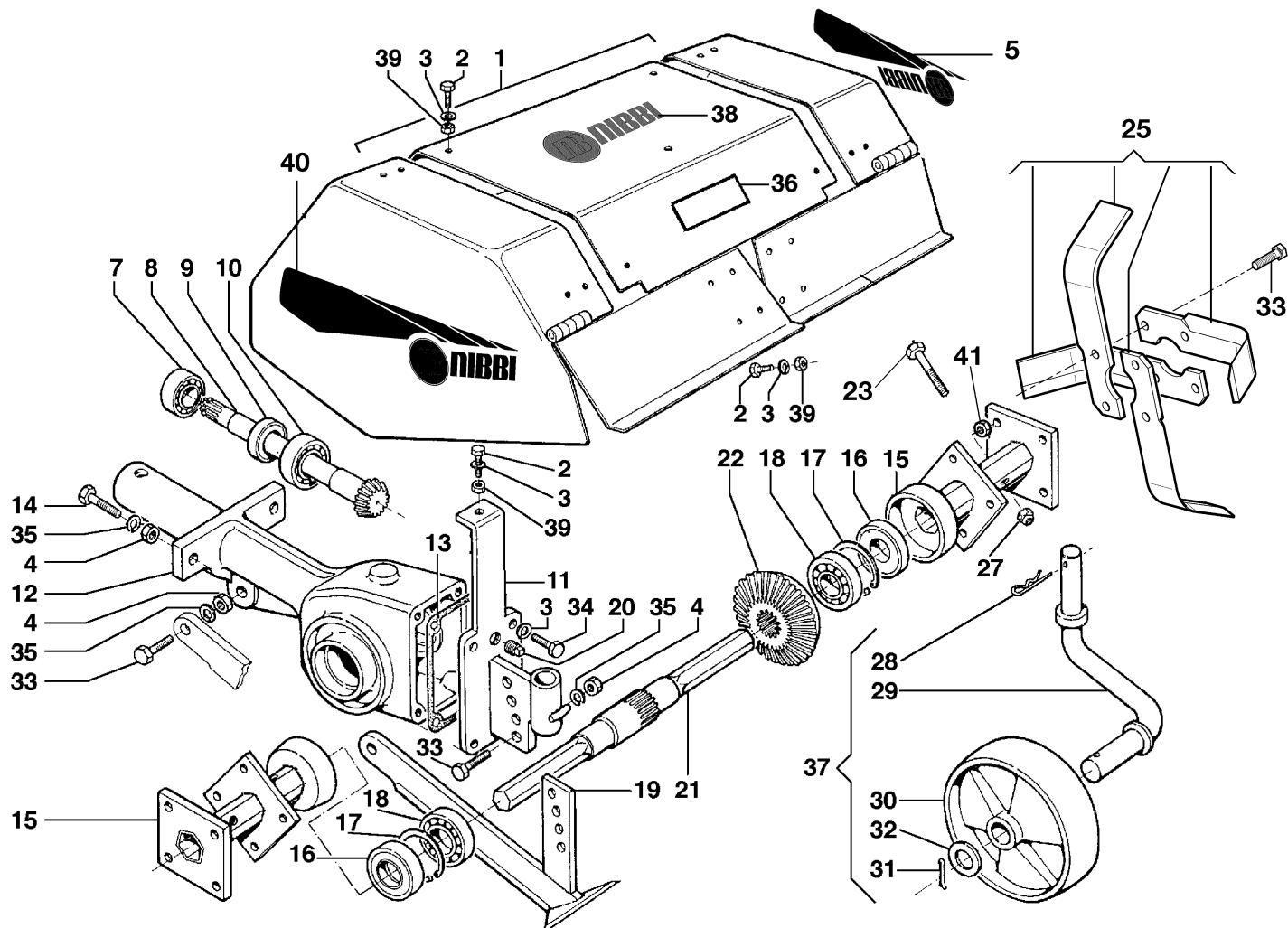
07/06

Ref.Nu	Qty	Part number	Description	Validity from	Validity till	Notes	Bulletin
1	1	3806067R	Screw				
2	1	YN3753600	Knob				
3	1	F1251626	Rod			ALN330; IM359; A230; Honda GX160; A349; Yanmar L48; Geotech 50	
3	1	F1251651	Rod			15LD315; 15LD225; HT51	
4	1	N6289250	Screw				
5	1	3916008R	Washer				
6	1	N5279550	Cap				
7		-	Not available for this product				
8	1	YF1291634B	Spring				
9	1	YN2840480	Knob				
10	1	YF1291636	Lever				
11		-	Not available for this product				
12		-	Not available for this product				
13	1	F1255009B	Support				BT12-001- 10/09
14	1	YF1151601	Clamp				
15	1	68310028	Mark			Su richiesta; Upon request; SX; LEFT	
16	1	68240049A	Handlebar rod (Red)			Rosso; Red	
17	1	3914010R	Nut				
18	1	68310026	Mark			Su richiesta; Upon request	
19	1	3914006R	Nut				
20	1	3801024	Screw				
21	1	YN1463650	Nut				
22	1	68310014	Column support (Set)			Rosso; Red	
23	1	N0124100	Seeger				
24	1	YN3753000	Knob				
25	1	YK3503360	Spring				
26	1	YF1251637	Shutter				
27	1	YN6357200	Screw				
29	1	K3501080	plate				
30	1	YK0300910	Shock absorber				
31		-	Not available for this product				
32		-	Not available for this product				
33	1	F1251650	Clamp				
34	1	N6289250	Screw				
35	1	68310027	Mark			Su richiesta; Upon request; DX; RIGHT	
37	1	YN6361500	Screw				
38	1	3914014R	Nut				
39	1	YN6243651	Screw				
40	1	3914010R	Nut				
41	1	3916010R	Washer				
42	1	F1251655	Mark			Su richiesta; Upon request	
43	1	68240022	Cover				



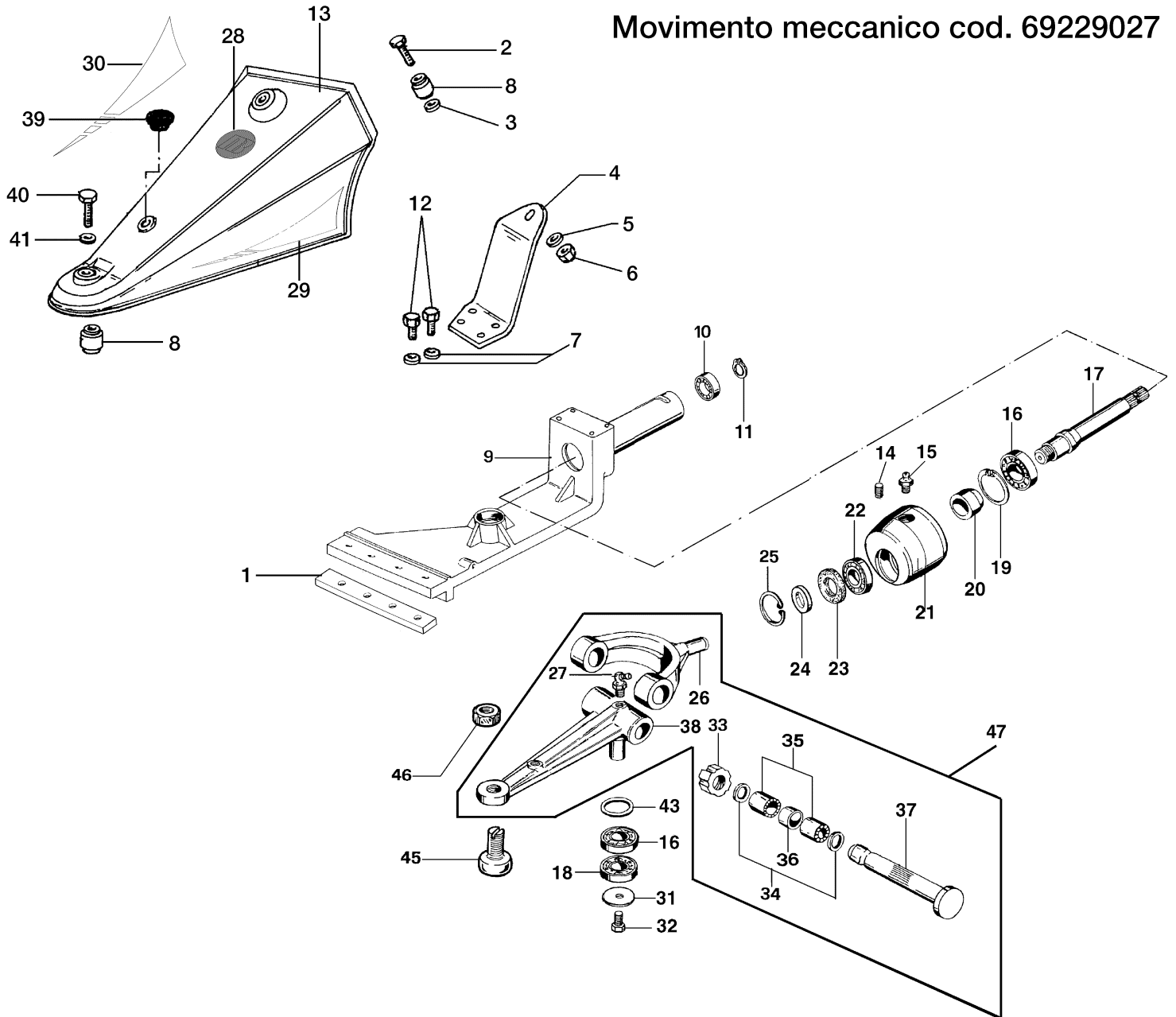
Ref.Nu	Qty	Part number	Description	Validity from	Validity till	Notes	Bulletin
1	1	YN2847300	Knob				
2	1	N2806110	Handle				
3	1	F1300004	Clamp				
4	1	N2542360	Switch			Motori benzina; Gasoline engines	
5	1	N6182150	Screw			Motori benzina; Gasoline engines	
6	1	F1182601	Cable				
7	1	YF1370387	Guard				
9	1	N5476050	Transmission (Stop)			Micro 51; 15LD315; Yanmar L48	
10	1	YN5801000	Adjuster assy				
13	1	N54857508	Transmission				BT12-003-11/10
14	1	YN5380870	Mark (Instruction)			Su richiesta; Upon request	
15	1	3914006R	Nut				
16	1	YN3752300	Knob				
18	1	YN1762150	Band				
19	1	3024008	Seeger				
20	1	F1061613	Pin				
28	1	N5649008	Rope				
30	1	N5515845A	Transmission				
31	1	68910082	Handle kit				
32	1	N5852100A	Clamp				
33	1	N5901500	Clamp				
34	1	YN1764000	Band				
35	1	F1091687	Support				
36	1	F1091690	Mark			Su richiesta; Upon request	
37	1	YF1091657	Lever				
38	1	YN2803660	Fuel control				
40	1	N5611200	Rope			15LD315; Yanmar L48	
40	1	N5614500	Rope				
40	1	YN5462705	Transmission			Micro 51	
41	1	N5464000	Transmission				
41	1	YN5462710	Bowden cable			15LD315; Yanmar L48	
41	1	YN5462705	Transmission			Micro 51	
42	1	YN5380805	Mark (Accelerator)			Su richiesta; Upon request	
43	1	N3104240	Spring			Intek OHV; B&S	



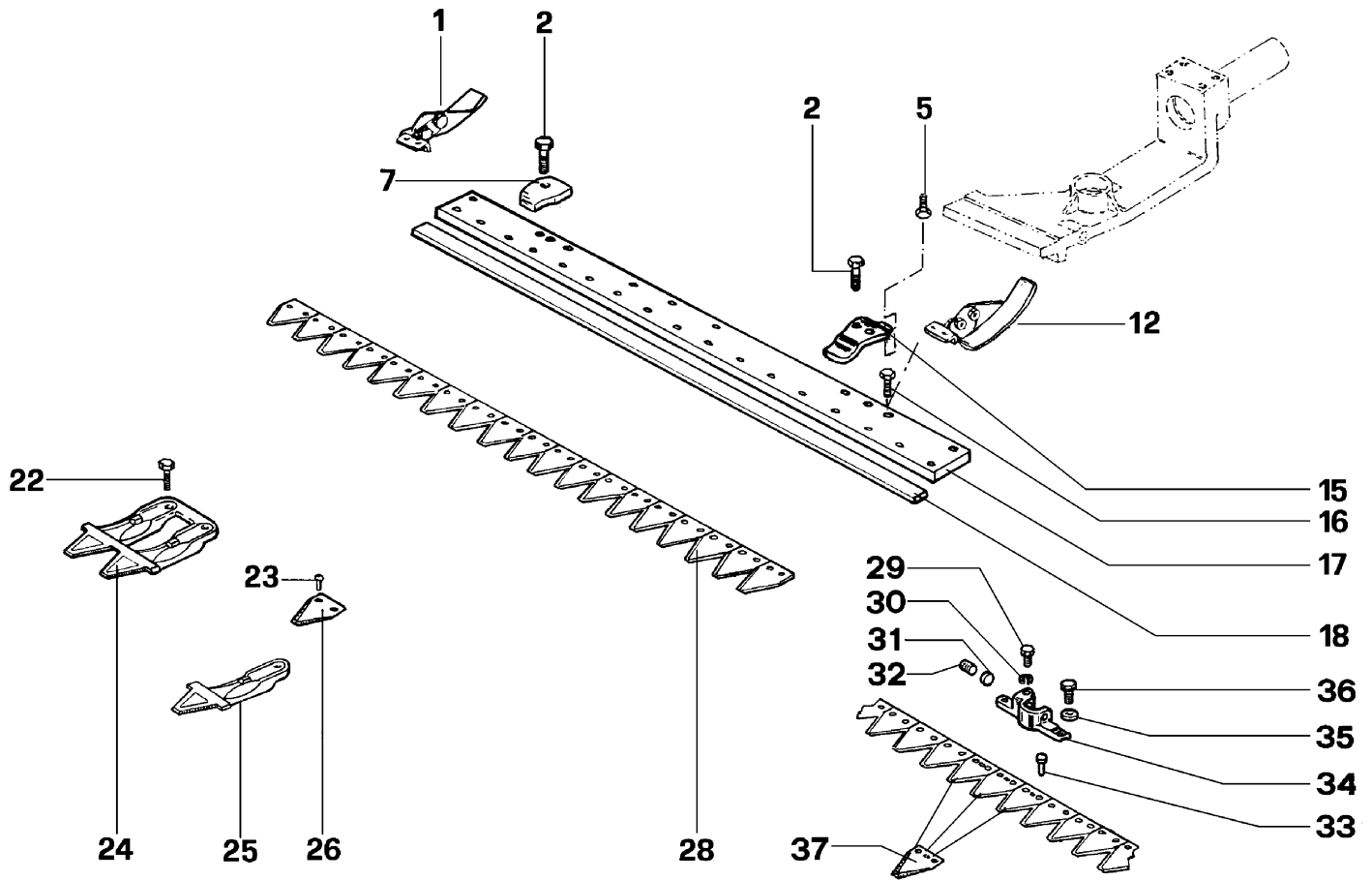


Ref.Nu	Qty	Part number	Description	Validity from	Validity till	Notes	Bulletin
1	1	P0001769	Hood			35+50 cm	
1	1	P0001768	Hood			35+50+60 cm; (Per restringimento a 35 cm necessita di L0116300; L0116300 needed to reduce to 35 cm)	
2	1	3806063	Screw				
3	1	N4364350	Washer				
4	1	N1457300	Nut				
5	1	68320079	Mark			Su richiesta; Upon request; DX; RIGHT	
7	1	YN1257600	Bearing				
8	1	F0017201	Sprocket				
9	1	YN0207300	Ring				
10	1	YN1263701	Bearing				
11	1	68310060	Support				
12	1	F0017200	Housing				
13	1	K3501840	Gasket				
14	1	3806067R	Screw				
15	1	F0017210	Hub			50+60 cm	
15	1	F0017226	Hub			35+50 cm	
15	1	L0116300	Kit containing pair of spacers to limit the rotor width to			35 cm	
16	1	N0209800	Ring				
17	1	N0134200	Seeger				
18	1	N1269800	Bearing				
19	1	K3501920	Plough				
20	1	K8535002	Cap				
21	1	K3501750	Shaft				
22	1	F0017202	Rim				
23	1	3806076	Screw				
25	1	R0000139	Cutters kit			Per fresa 60 cm, kit composto da: F0017002, DX, 10pz + F0017003, SX, 10pz; For tiller 60 cm, set composed by: F0017002, RIGHT, 10pcs + F0017003, LEFT, 10pcs	
25	1	R0000148	Cutters kit			Per fresa 50 cm, kit composto da: K3501790, DX, 10pz + K3501780, SX, 10pz; For tiller 50 cm, set composed by: K3501790, RIGHT, 10pcs + K3501780, LEFT, 10pcs	
27	1	N1458800	Nut				
28	1	N1054500	Cotter pin				
29	1	K3501830	Support				
30	1	K1102480	Wheel				
31	1	YN1060200	Cotter pin				
32	1	3916020	Washer				
33	1	3806067R	Screw				
34	1	N6249300	Screw				
35	1	3819013R	Grower				
36	1	F0015577	Mark (Danger)			Su richiesta; Upon request	
37	1	Z0020368	Support wheel				
38	1	68610007	Mark			Su richiesta; Upon request	
39	1	320000028R	Nut				
40	1	68320080	Mark			Su richiesta; Upon request; SX; LEFT	
41	1	YN1457570	Nut				

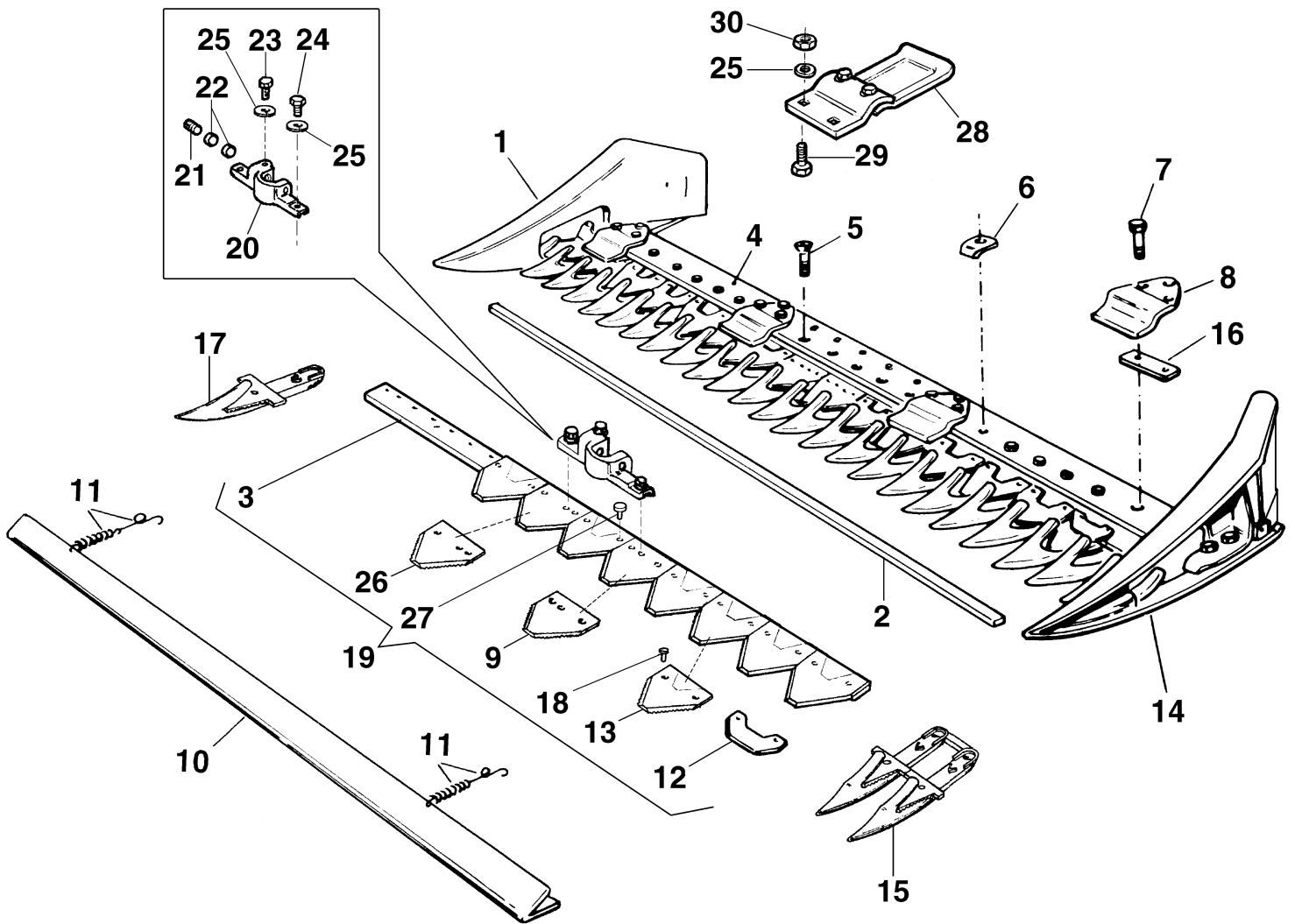
Movimento meccanico cod. 69229027



Ref.Nu	Qty	Part number	Description	Validity from	Validity till	Notes	Bulletin
1	1	L0081100	Washer			Utilizzare con ruote > 4.00/5.00-10"; Use with wheels > 4.00/5.00-10	
2	1	N6399710	Screw				
3	1	3916012	Washer				
4	1	F1073346	Support				
5	1	3916012	Washer				
6	1	YN1470200	Nut				
7	1	3819013R	Grower				
8	2	N4924000	Silent block				
9	1	F1253002	Support				
10	1	YN1257600	Bearing				
11	1	K7002003	Ring				
12	1	3806063	Screw				
13	1	69222001	Hood			Rosso; Red	
14	1	K8719008	Screw				
15	1	N2605600	Nipple				
16	1	YN1271100	Bearing				
17	1	F1253004	Shaft				
18	1	N1270400	Bearing				
19	1	YN0136800	Seeger				
20	1	F1073145	Spacer				
21	1	F1073105	Floating head				
22	1	N1258301	Bearing				
23	1	N0207500	Ring				
24	1	N4429200	Washer				
25	1	N0130000	Seeger				
26	1	F1073513	Clip				
27	1	N2605600	Nipple				
28	1	68250018	Label			Su richiesta; Upon request	
29	1	68910014	Mark			Su richiesta; Upon request	
30	1	68910015	Mark			Su richiesta; Upon request	
31	1	F1073372	Washer				
32	1	N6320500	Screw				
33	1	N2101600	Ring nut				
34	1	N5002850	Spacer				
35	1	YN1261350	Bearing				
36	1	YF1073190	Spacer				
37	1	F1073191	Pin				
38	1	YF1073375	Connecting rod				
39	1	N5265900	Cap				
40	1	N6399710	Screw				
41	1	3916012	Washer				
43	1	N5005400	Spacer				
45	1	F1073260	Pin				
46	1	N1474500	Nut				
47	1	P0001289	Support kit				



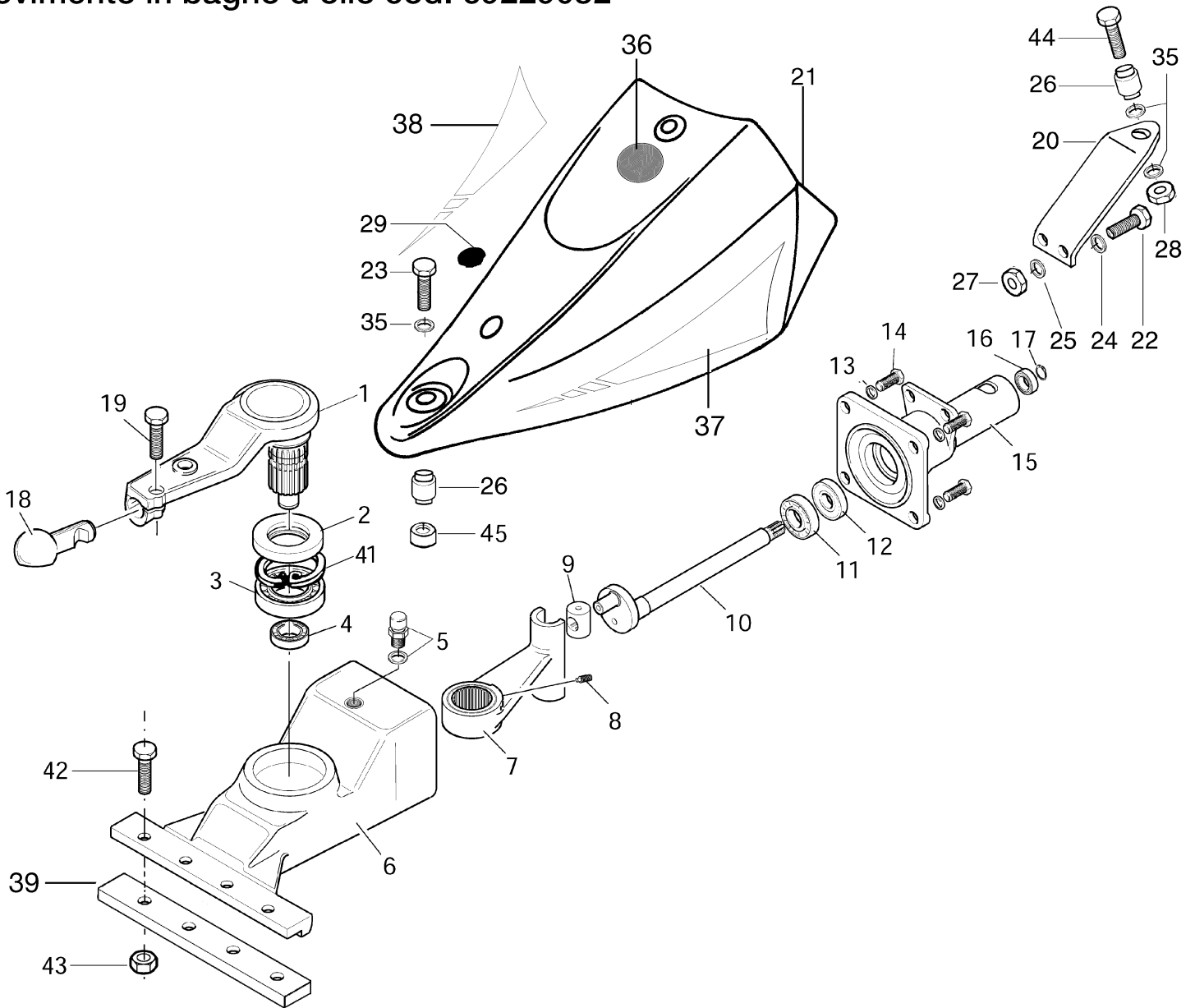
Ref.Nu	Qty	Part number	Description	Validity from	Validity till	Notes	Bulletin
1	1	F1303153	Sliding block				
2	1	YN6332800	Screw				
5	1	N6245800	Screw				
7	1	F0582687	Plate				
12	1	F1303153	Sliding block				
15	1	F1113112	Press blade (Long)				
16	1	N6321250	Screw				
17	1	F1303116	Plate			950 mm	
17	1	F1303117	Plate			1150 mm	
18	1	F0712027	Slide			950 mm	
18	1	F0712031	Slide			1150 mm	
22	1	N6322000	Screw				
23	1	YN0886600	Rivet				
24	1	F1113114	Tooth (Double)				
25	1	F1113114	Tooth (Double)				
26	1	F1073216R	Blade				
28	1	F1073276	Blade			1150 mm SP	
28	1	F1073349	Blade			950 mm SP	
29	1	YN6262200	Screw				
30	1	3819013R	Grower				
31	1	YF1073364	Valve				
32	1	N6433900	Screw				
33	1	F1073261	Rivet				
34	1	F1073363B	Clutch driver			Per barra SP; For SP bar	
35	1	3819013R	Grower				
36	1	3806063	Screw				
37	1	F1073273	Blade				



Ref.Nu	Qty	Part number	Description	Validity from	Validity till	Notes	Bulletin
1	1	69220015	Shoe			DX; RIGHT	
2	1	69220017	Rod				
3	1	69220023	Rod				
4	1	F1303117	Plate				
5	15	YN6325400	Screw				
6	4	69220018	Support				
7	8	3906099	Screw				
8	4	69220019	Press blade				
9	1	F1073377	Blade				
10	1	69220020	Guard				
11	2	69220022	Spring				
12	13	F1073317	Plate				
13	13	YF0582091	Blade				
14	1	69220016	Shoe			SX; LEFT	
15	11	F0582688	Tooth (Double)				
16	12	F1073321	Spacer				
17	1	F0582738	Tooth (Single)				
18	28	YN0886600	Rivet				
19	1	F1073384	Blade				
20	1	F1073376B	Clutch driver				
21	1	N6433900	Screw				
22	2	YF1073364	Valve				
23	1	YN6262200	Screw				
24	2	3806063	Screw				
25	7	3819013R	Grower				
26	1	F1073378R	Blade				
27	2	F1073261	Rivet				
28	2	69220024	Complete slide				
29	8	3806070R	Screw				
30	8	320000028R	Nut				



## Movimento in bagno d'olio cod. 69229032



Ref.Nu	Qty	Part number	Description	Validity from	Validity till	Notes	Bulletin
1	1	F1303156	Connecting rod				
2	1	YN0222805	Ring				
3	1	N1289200	Bearing				
4	1	YN1263701	Bearing				
5	1	K4101420	Cap				
6	1	F1303100	Housing				
7	1	F1303102	Connecting rod				
8	1	N6251000	Screw				
9	1	F1303106	Switch				
10	1	F1303162	Shaft				
11	1	N1272501	Bearing				
12	1	N0210045	Ring				
13	1	3819014R	Grower				
14	1	3806094R	Screw				
15	1	F1303161	Cover				
16	1	YN1257600	Bearing				
17	1	3024015	Seeger				
18	1	F1303155	Pin				
19	1	3806094R	Screw				
20	1	F1303125	Support				
21	1	PA001254	Hood				
22	1	3806067R	Screw				
23	1	N6399710	Screw				
24	1	3819013R	Grower				
25	1	3916008R	Washer				
26	1	N4924000	Silent block				
27	1	320000028R	Nut				
28	1	YN1470200	Nut				
29	1	N5265900	Cap				
35	1	3916012	Washer				
36	1	68250018	Label			Su richiesta; Upon request	
37	1	68910014	Mark			Su richiesta; Upon request; SX; LEFT	
38	1	68910015	Mark			Su richiesta; Upon request; DX; RIGHT	
39	1	L0081100	Washer			Utilizzare con ruote > di 4.00/5.00-10"; Use with wheels > 4.00/5.00-10	
41	1	N0140800	Seeger				
42	1	YN6332800	Screw				
43	1	YN1463650	Nut				
44	1	N6399710	Screw				
45	1	F1303133	Spacer				