



our **power**, your **passion**

NIBBI BRIK 3

(OP TIL ÅRG. 2009)



HA HENRIK A. **FOG**®

Henrik A. Fog A/S

Lyngager 5-11

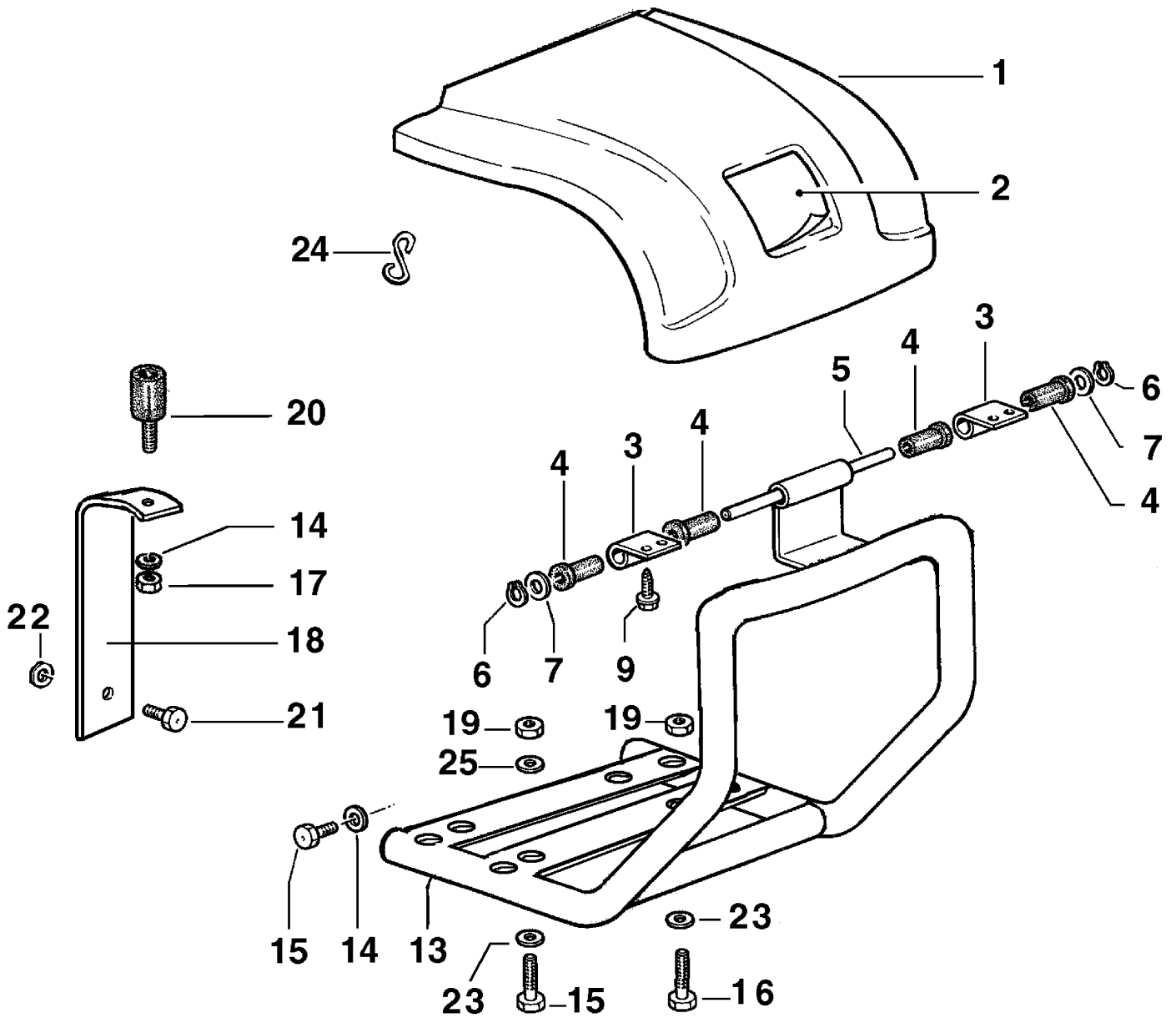
2605 Brøndby

Tel 43966611

Fax 43266624

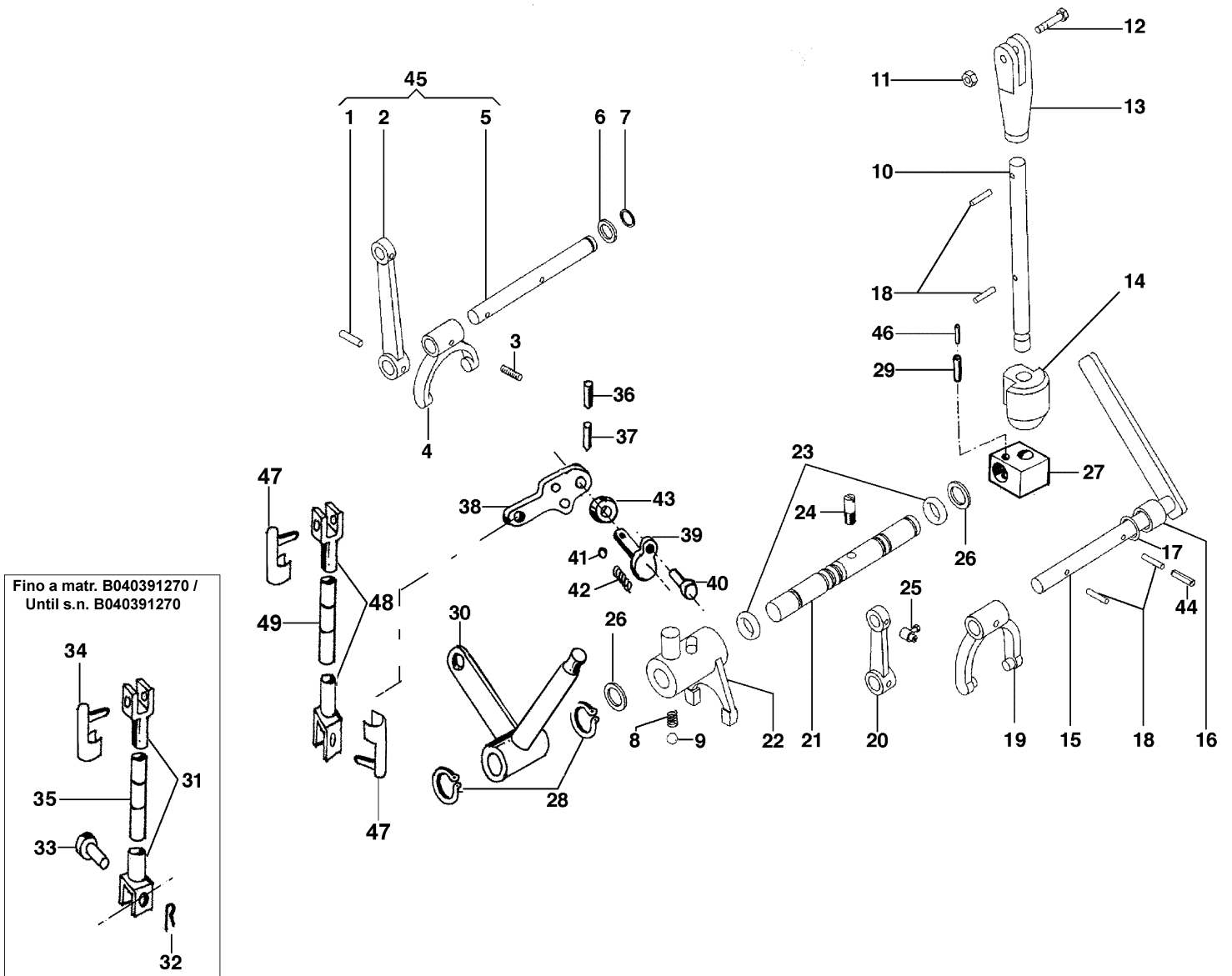
reservedele@hafog.dk

www.hafog.dk

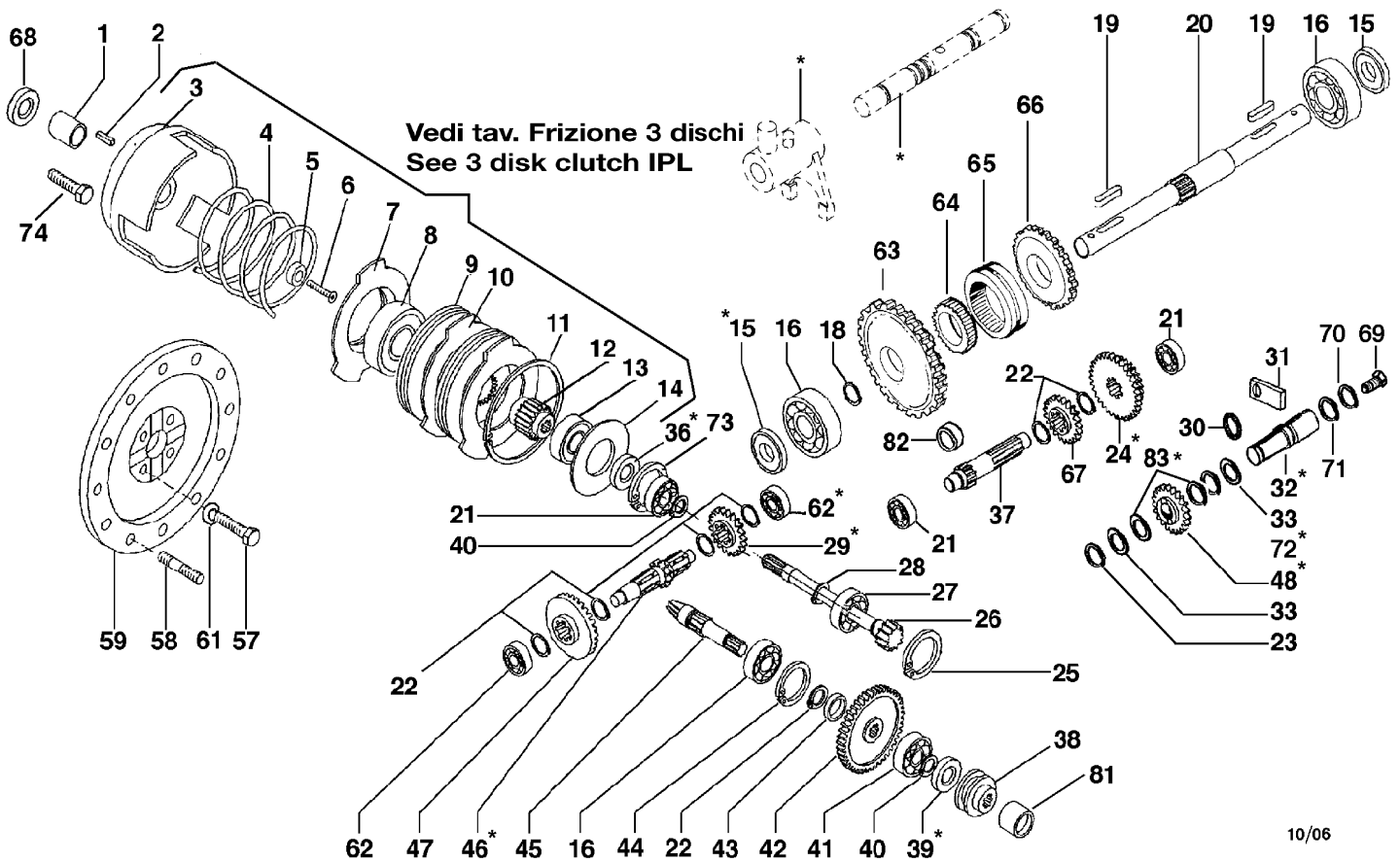


csg 07/06

Ref.Nu	Qty	Part number	Description	Validity from	Validity till	Notes	Bulletin
1	1	F1252128	Hood			Honda GX160; Honda GC160; A230	
2		-	Not available for this product				
3	1	F1292105	Support			Honda GX160; Honda GC160; A230	
4	1	N0400700	Bushing			Honda GX160; Honda GC160; A230	
5	1	F1292106	Pin			Honda GX160; Honda GC160; A230	
6	1	N0102900	Ring			Honda GX160; Honda GC160; A230	
7	1	3916010R	Washer			Honda GX160; Honda GC160; A230	
9	1	N6243654	Screw			Honda GX160; Honda GC160; A230	
13	1	68310031B	Support (Hood)			Honda GX160; Honda GC160	
13	1	F1252117	Protective guard			A230	
13	1	68910044	Guard			A349	
13	1	68910039	Guard			15LD225; Yanmar L48	
14	1	YN4365400	Washer				
15	1	YN6335900	Screw			15LD225; Yanmar L48	
15	1	3806070R	Screw			A230	
15	1	N6294400	Screw			Honda GX160; Honda GC160	
16	1	3806067R	Screw			Honda GX160; Honda GC160	
16	1	3806065	Screw			A230	
16	1	3806063	Screw			A349	
17	1	320000028R	Nut				
18	1	F1252122	Support			A230	
18	1	68310033	Support			Honda GX160; Honda GC160	
19	1	006000091R	Nut			A230; 15LD225; Yanmar L48	
19	1	3914010R	Nut			Honda GX160; Honda GC160	
20	1	F0752159	Silent block			Honda GX160; Honda GC160; A230	
21	1	3806065	Screw			Honda GX160; Honda GC160	
22	1	320000028R	Nut				
23	1	YN4376400	Washer			15LD225; Yanmar L48	
23	1	YN4365400	Washer			Honda GX160; Honda GC160; A230	
24	1	F0005621	Hook			Honda GX160; Honda GC160	
25	1	3916008R	Washer			Honda GX160; Honda GC160	

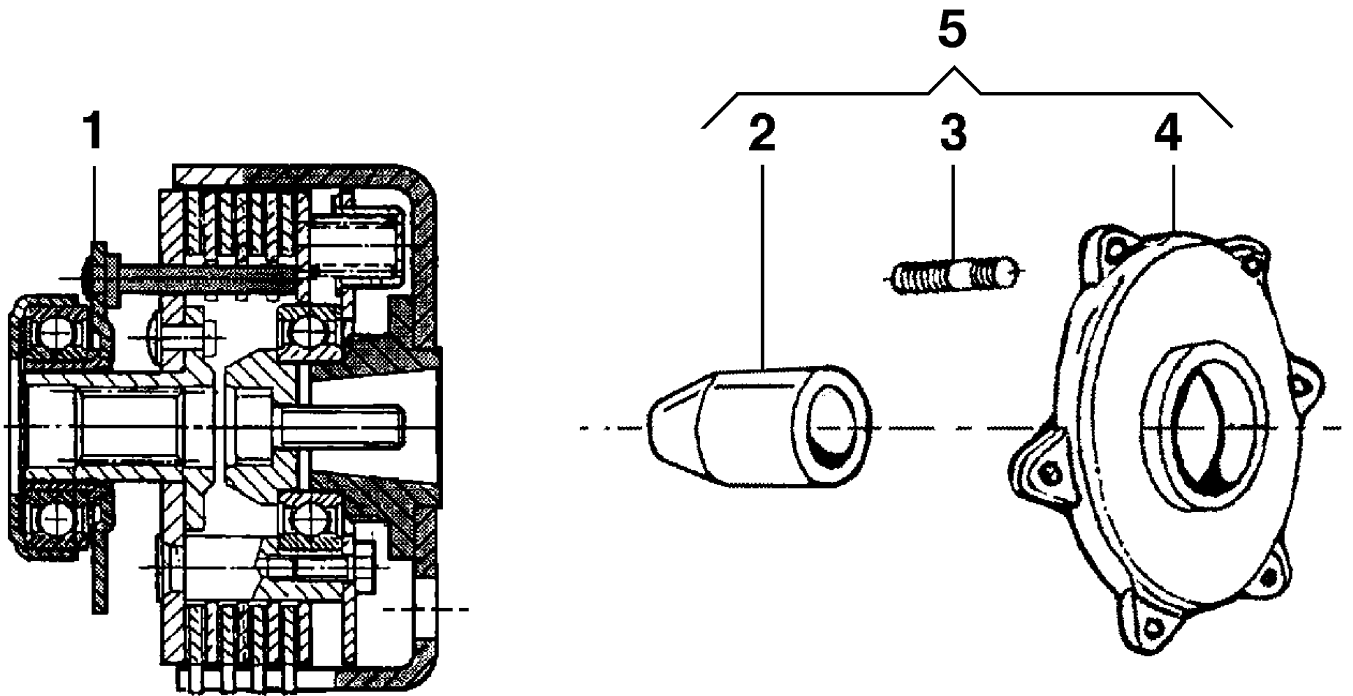


Ref.Nu	Qty	Part number	Description	Validity from	Validity till	Notes	Bulletin
1	1	N5113800	Pin		10/2004		
2	1	F1250856	Control rod		10/2004		
3	1	K3501070	Screw				
4	1	K3500940	Clip				
5	1	K3500950	Control rod		10/2004		
6	1	N5001700	Washer				
7	1	3024012	Ring				
8	1	N3101500	Spring				
9	1	N4743200	Ball				
10	1	F1241613	Lever				
11	1	3914006R	Nut				
12	1	3801024	Screw				
13	1	F1241619	Bushing				
14	1	F1241614	Shoe				
15	1	F1241623	Shaft (Complete)				
16	1	N0403000	Bushing				
17	1	3916012	Washer				
18	1	N5113800	Pin				
19	1	K3500140	Clip				
20	1	K3500510	Lever				
21	1	F1250865A	Shaft	SN 8359			
22	1	F1250860D	Clip	SN 8359			
23	1	N0306000	O-ring				
24	1	F1250816C	Screw				
25	1	N5901500	Clamp				
26	1	N5002600	Washer				
27	1	F1241616	Support				
28	1	3024016	Seeger				
29	1	N5126100	Pin				
30	1	F1251643	Lever				
31	1	N6003010	Clip		SN B040391270		
32	1	YN1050600	Cotter pin		SN B040391270		
33	1	K8192001	Pin		SN B040391270		
34	1	K8197002	Pin		SN B040391270		
35	1	F1251644A	Rod		SN B040391270		
36	1	N5126100	Pin				
37	1	N5109400	Pin				
38	1	F1251645	Lever				
39	1	F1251646	Cam				
40	1	YF1291604	Sliding block				
41	1	YN4745400	Ball				
42	1	YN3104250	Spring				
43	1	YN0203000	Ring				
44	1	N5101450	Pin				
45	1	F1250856	Control rod	11/2004			
46	1	N5109400	Pin				
47	2	K8197002	Pin	SN B040391271			
48	2	N6003010	Clip	SN B040391271			
49	1	F1251644A	Rod	SN B040391271			

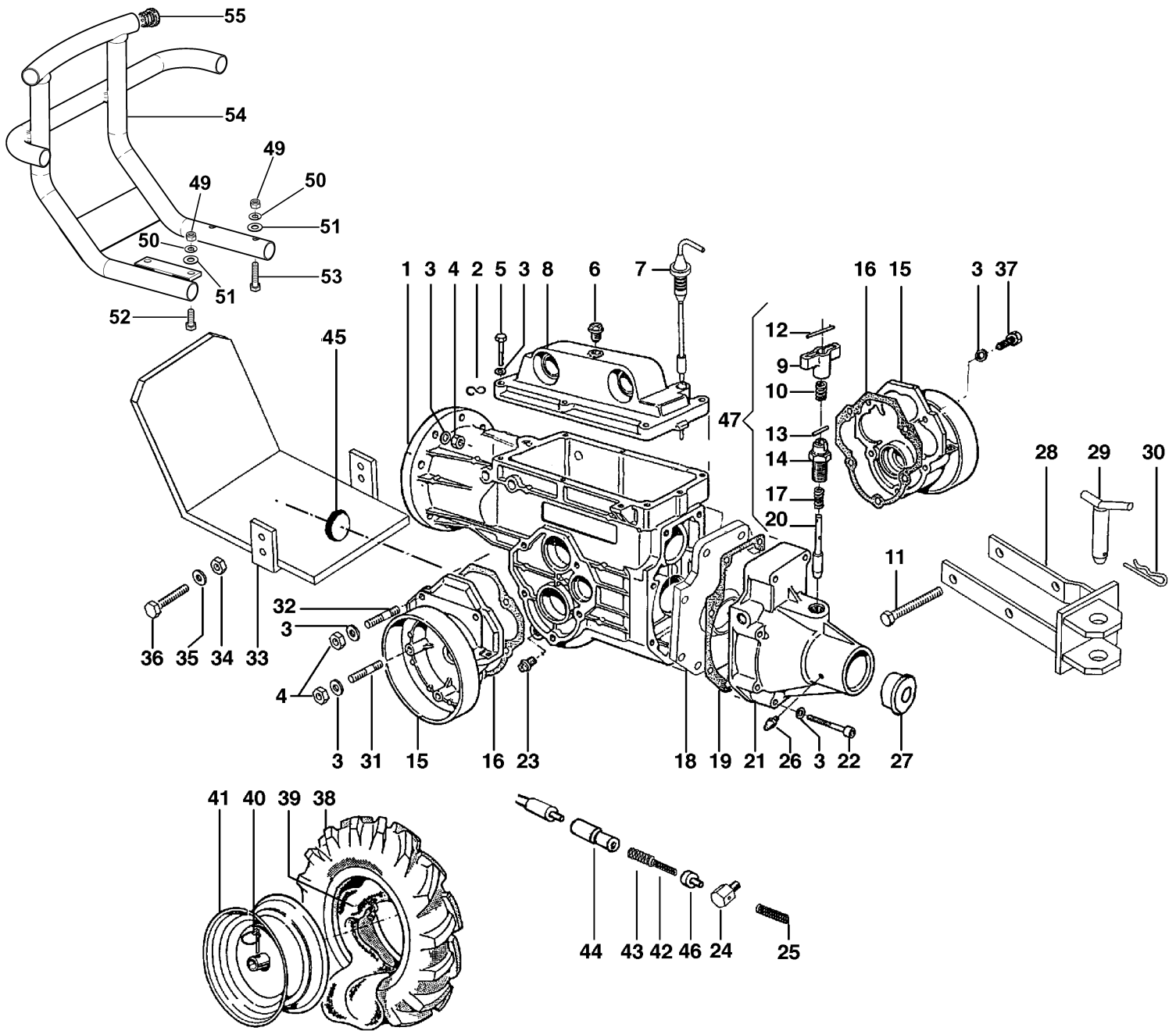


Ref.Nu	Qty	Part number	Description	Validity from	Validity till	Notes	Bulletin
1	1	F1250008	Spacer	SN 1579; SN 3463		SN 3463	
1	1	F1250003	Spacer		SN 3462	Honda GX160; B&S; Vanguard	
1	1	F1240001	Spacer		SN 3462	Honda GC160	
2	1	YN0643450	Key	SN 3463		Honda; B&S; Tecumseh; Kohler	
3	1	K3500860	Clutch drum				
3	1	F1250009	Clutch drum	SN 3463		Honda; B&S; Tecumseh; Kohler	
4	1	K3500900	Spring				
5	1	K3500930	Washer				
6	1	YN6265500	Screw				
6	1	K8715023	Screw			EURO; ACME	
6	1	K3501030	Screw			Honda; B&S; Tecumseh	
7	1	K3500870	Disk				
8	1	N1274550	Bearing				
9	1	K3500880	Clutch disc				
10	1	K3500890	Spacer				
11	1	N0143300	Ring				
12	1	K3500920	Sleeve				
13	1	YN1263201	Bearing				
14	1	K3500910	Washer				
15	1	YN0207300	Ring				
16	1	N1263100	Bearing				
17	1	R0000129	Unit (Inverter)		SN 8358 (03/2006)		
18	1	N0118510	Seeger				
19	1	YK7811007	Key				
20	1	F1250836	Shaft				
21	1	YN1257000	Bearing				
22	1	3024020R	Seeger				
23	1	3024012	Ring				
24	1	F1250864	Gear	SN 8359			
25	1	N0130000	Seeger				
26	1	F1240800	Shaft				
27	1	YN1258800	Bearing				
28	1	YN0112700	Seeger				
29	1	F1250861	Gear	SN 8359			
30	1	N0306000	O-ring				
31	1	F1240803	Plate		SN 1578		
32	1	F1250863	Axle	SN 8359			
33	1	YK8491006	Washer				
36	1	N0204850	Ring				
37	1	F1250854	Shaft			Cambio veloce, albero; Speed gear, shaft	
37	1	F1250852	Shaft			Cambio veloce, ingranaggio; Speed gear, gear	
37	1	F1250830	Shaft				
38	1	F1250851	Bushing			Solo per versioni speciali: cambio veloce; Only for special version: speed gear	
38	1	F1250805	Bushing				
39	1	K7032002	Ring				
40	1	3024015	Seeger				
41	1	N1257700	Bearing				
42	1	F1250804	Gear				
43	1	F1250808	Spacer				
44	1	N0130900	Seeger				
45	1	F1250809	Sprocket				
46	1	F1250862	Shaft	SN 8359			
47	1	F1250810	Rim				
48	1	F1250866	Gear	SN 8359			
48	1	R0000129	Unit (Inverter)	SN 3784	SN 8358		
57	1	YN6243980	Screw			Honda; B&S; Tecumseh; Kohler	
58	1	N3812500	Stud			Honda; B&S; Tecumseh; Kohler	
59	1	68310038A	Flange			Honda GX160	
59	1	F1050027G	Flange			Honda GC160; B&S; Tecumseh; Kohler	
61	1	YN4365400	Washer			Honda; B&S; Tecumseh; Kohler	
62	1	094000006R	Bearing				
63	1	F1250853	Gear			Cambio veloce; Speed gear	

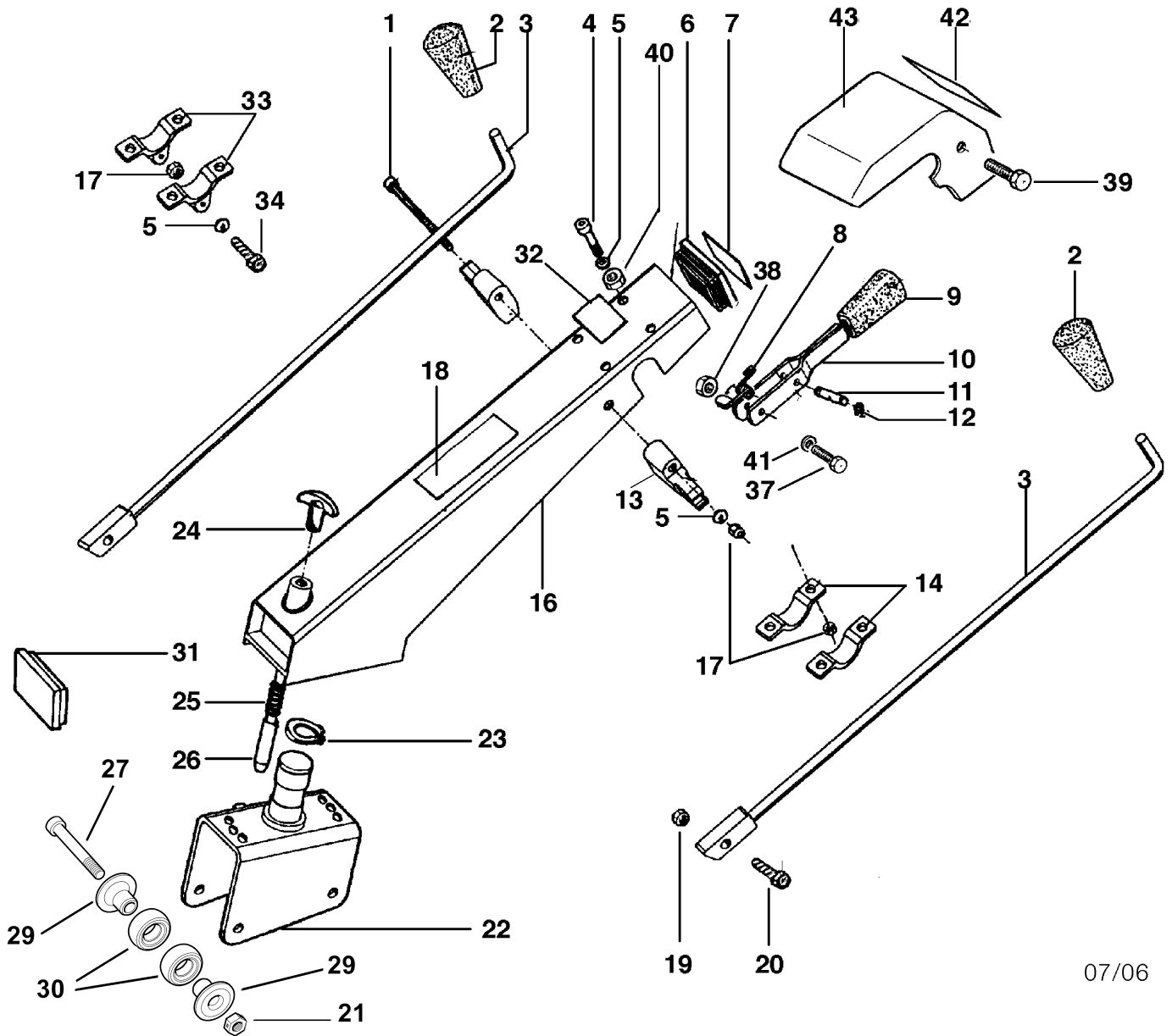
63	1	F1250834	Gear			Cambio veloce; Speed gear
64	1	F1250832	Sleeve			
65	1	F1250833	Sleeve			
66	1	F1250835	Gear			
67	1	F1250829	Gear			
68	1	YN1263201	Bearing		SN 5791	R000111; Honda GC160
69	1	YN6247400	Screw	SN 1579		
70	1	YN4371100	Washer	SN 1579		
71	1	YN4365400	Washer	SN 1579		
72	1	N5001950	Washer	SN 8359		
72	1	N5001900	Washer	SN 8359		
72	1	N5001700	Washer	SN 1579	SN 8358	
73	1	3025022R	Seeger			
74	1	YN6195100	Screw	SN 3462		Tecnamotor
74	1	N6195000	Screw	SN 3463		
81	1	F1250859	Shaft joint			Solo per versioni speciali: cambio veloce, lato attrezzo; Only for special version: speed gear, tool side
82	1	F1250855	Spacer			Cambio veloce; Speed gear
83	1	K7259005	Roller cage	SN 8359		



Ref.Nu	Qty	Part number	Description	Validity from	Validity till	Notes	Bulletin
1	1	F1200030	Clutch 3 disk	SN 6010		Robyn EY20 tipo Q	
1	1	F1200031	Clutch 3 disk	SN 5792		A220; A230; 15LD225; 15LD315; LGA226	
1	1	F1200033	Clutch			G200S	
1	1	F1200027	Clutch 3 disk	SN 5332		Honda GC160; BH40; Geotech 50	
1	1	F1200028	Clutch 3 disk	SN 5792		Motori europei e Yanmar L48; European engines and Yanmar L48	
1	1	F1200029	Clutch 3 disk	SN 5332		Honda GX160; B&S; Robyn EX17; Kohler CS6	
2	1	F1210002	Spacer			A220; A230; 15LD225; 15LD315; LGA226	
3	1	N3815300	Stud			Motori senza distanziale; Engines without spacer	
3	1	K8236004	Stud			A220; A230; 15LD225; 15LD315; LGA226	
4	1	F1210001	Spacer			A220; A230; 15LD225; 15LD315; LGA226	
5	1	P1200020	Spacer unit			A220; A230; 15LD225; 15LD315; LGA226	

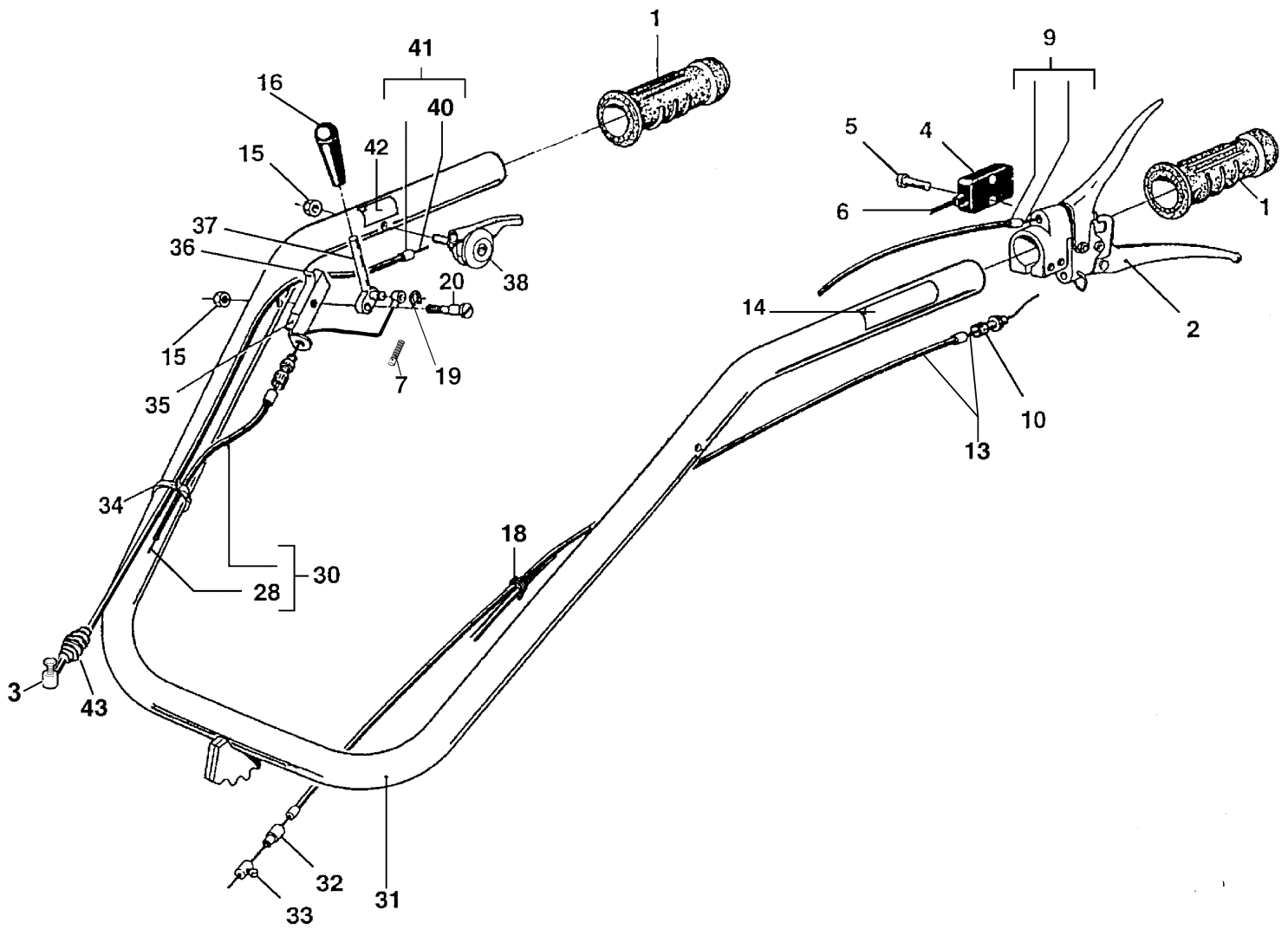


Ref.Nu	Qty	Part number	Description	Validity from	Validity till	Notes	Bulletin
1	1	F1250822	Speed-change gear box				
2	1	F0005621	Hook				
3	1	YN4365400	Washer				
4	1	320000028R	Nut				
5	1	3806067R	Screw				
6	1	N5253930	Cap				
7	1	K3500410	Rod				
8	1	K3500400	Cover				
9	1	K3500330A	Knob				
10	1	K7903016	Spring				
11	1	YN6361500	Screw				
12	1	N5106600	Pin				
13	1	3022012	Pin				
14	1	F1250843	Shutter				
15	1	K3500420	Cover (Wheel)				
16	1	K3500470	Gasket				
17	1	YK3503360	Spring				
18	1	F1250806	Flange				
19	1	K3500460	Gasket				
20	1	F1250842	Shutter				
21	1	F1250807	Support				
22	1	YN6291000	Screw				
23	1	K8536001	Cap				
24	1	F1241618	Retainer (Sheath)				
25	1	K7903009	Spring				
26	1	N2603800	Nipple				
27	1	321000001	Cap				
28	1	L0060900	Towing hitch				
29	1	F0751647	Pin				
30	1	N5148800	Cotter pin				
31	1	N3825650	Stud				
32	1	N3813200	Stud				
33	1	68910039	Guard			15LD225	
33	1	68910044	Guard			IM300; IM359; A349	
33	1	68910042	Guard			15LD315	
34	1	006000091R	Nut			15LD315	
34	1	320000028R	Nut				
35	1	YN4376400	Washer			15LD315	
35	1	YN4365400	Washer				
36	1	YN6335900	Screw			15LD315	
36	1	3806063	Screw			A220; LGA225	
36	1	3806074R	Screw			B&S; Honda; Tecnamotor	
37	1	3806067R	Screw				
38	1	N4852000A	Tire			4.00-10	
38	1	N4851895	Tire			6.00-6	
38	1	N4851600	Tire			4.00-8	
39	1	N4881500	Inner tube			4.00-10	
39	1	N4881310	Inner tube			6.00-6	
39	1	N4881100	Inner tube			4.00-8	
40	1	YK8514001	Pin				
41	1	69200046	Rim			6.00-6	
41	1	69200045	Rim			4.00-10	
41	1	K3500590	Rim			4.00-8	
42	1	K7903004	Spring				
43	1	K7903018	Spring				
44	1	YK1101850	Spring holder				
45	1	YN5265050	Cap				
46	1	N5852100A	Clamp				
47	1	R0000127	Set shutter				
49	1	3914010R	Nut			Kohler CS6	
50	1	YN4365400	Washer			Kohler CS6	
51	1	3916008R	Washer			Kohler CS6	
52	1	3806067R	Screw			Kohler CS6	
53	1	N6294400	Screw			Kohler CS6	
54	1	F1292210	Bumper			Kohler CS6	
55	1	N5267400	Cap			Kohler CS6	

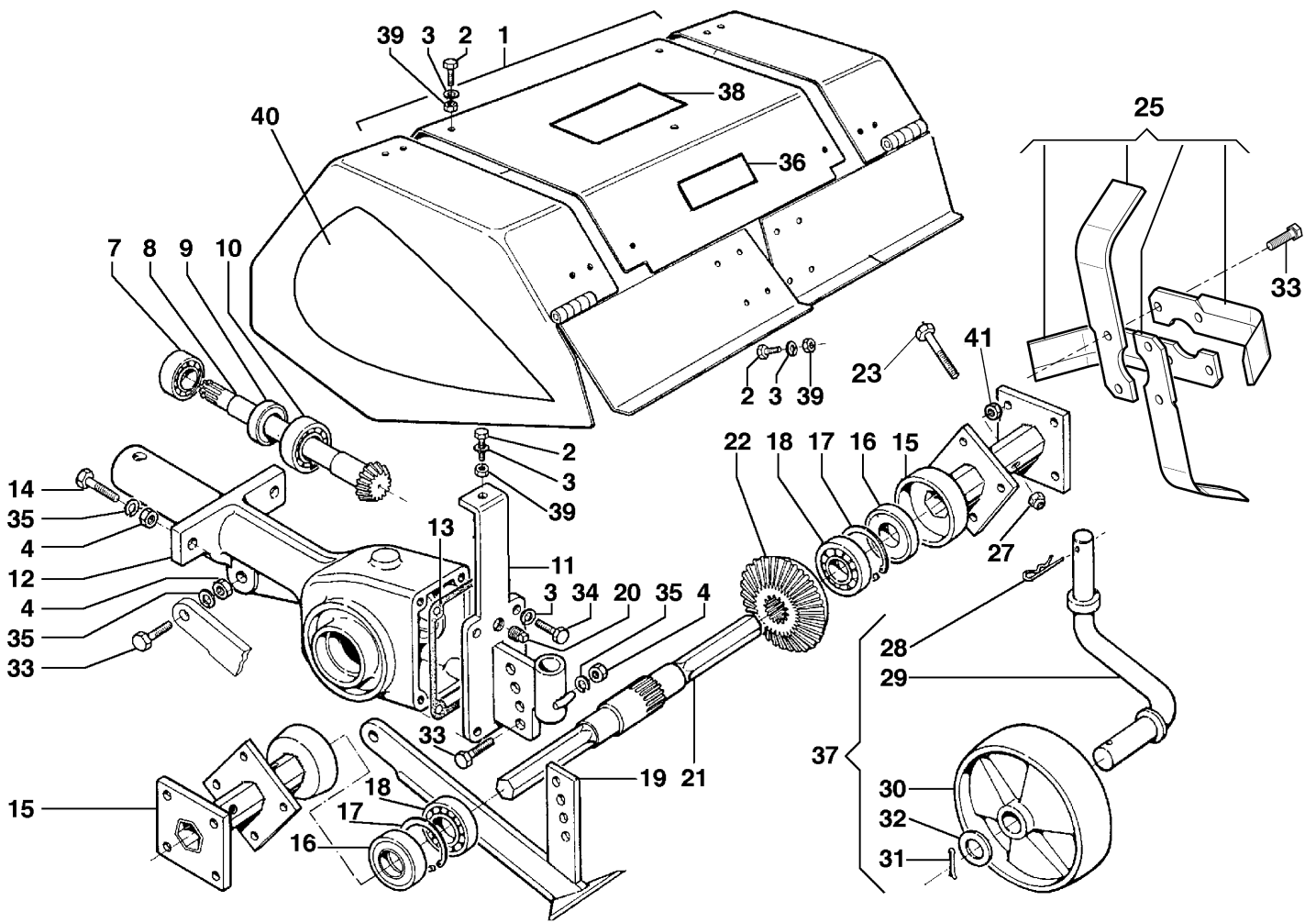


07/06

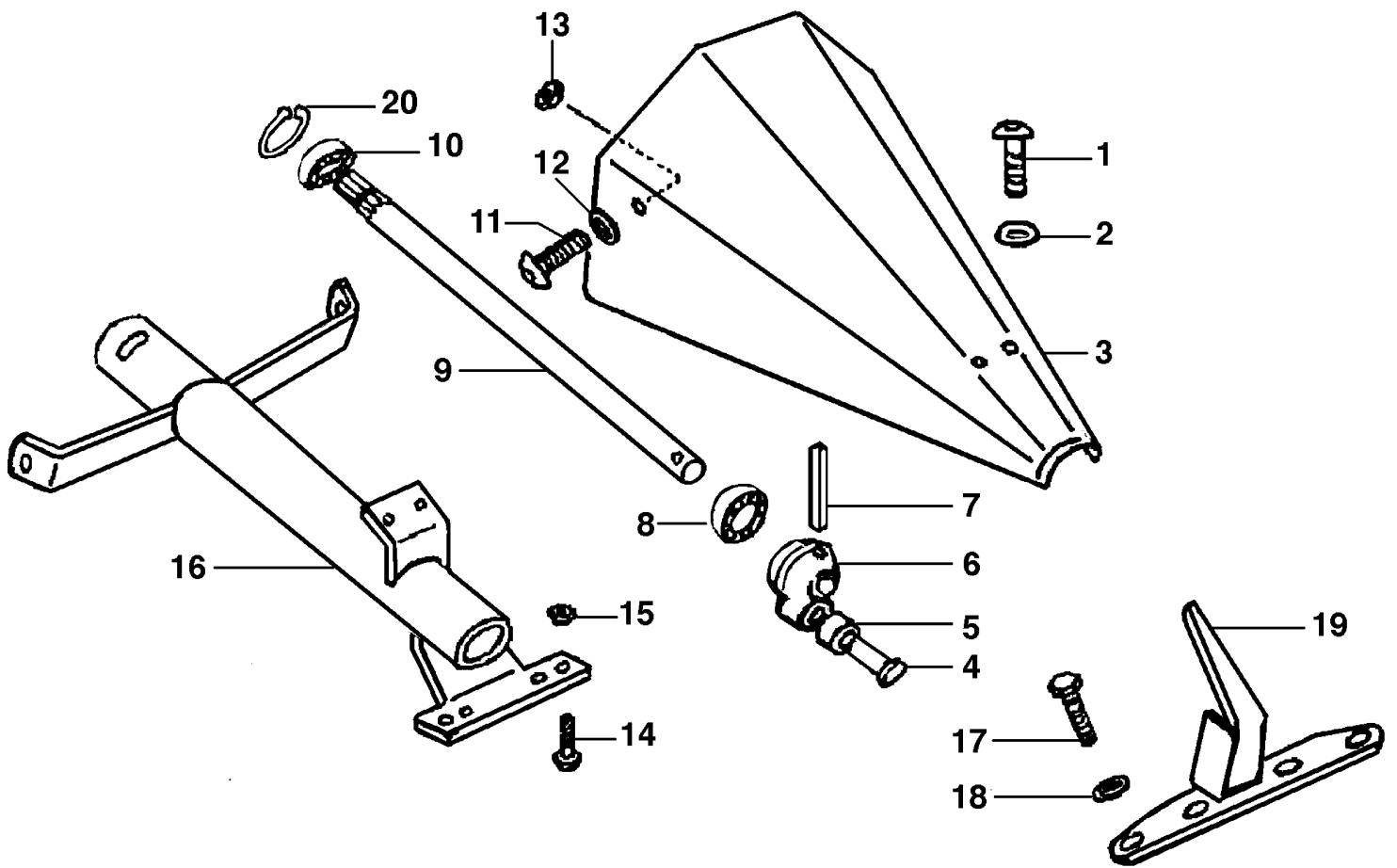
Ref.Nu	Qty	Part number	Description	Validity from	Validity till	Notes	Bulletin
1	1	3806067R	Screw				
2	1	YN3753600	Knob				
3	1	F1251651	Rod			15LD315; 15LD225; HT51	
3	1	F1251626	Rod			ALN330; IM359; A230; Honda GX160; A349; Yanmar L48; Geotech 50	
4	1	N6289250	Screw				
5	1	3916008R	Washer				
6	1	N5279550	Cap				
7		-	Not available for this product				
8	1	YF1291634B	Spring	SN 5308			
9	1	YN2840480	Knob				
10	1	YF1291636	Lever	SN 5308			
11	1	N5135610	Pin		SN 5307		
12	1	N0102900	Ring		SN 5307		
13	1	F1255009B	Support				BT12-001- 10/09
14	1	YF1151601	Clamp				
16	1	F1251653	Handlebar rod	SN 5308			
17	1	3914010R	Nut				
18		-	Not available for this product				
19	1	3914006R	Nut				
20	1	3801024	Screw				
21	1	YN1463650	Nut				
22	1	F1251636	Column support (Set)				
23	1	N0124100	Seeger				
24	1	YN3753000	Knob				
25	1	YK3503360	Spring				
26	1	YF1251637	Shutter				
27	1	YN6357200	Screw				
29	1	K3501080	plate				
30	1	YK0300910	Shock absorber				
31	1	N5277400	Cap		SN 5307		
32		-	Not available for this product				
33	1	F1251650	Clamp				
34	1	N6289250	Screw				
37	1	YN6361500	Screw	SN 5308			
38	1	3914014R	Nut	SN 5308			
39	1	YN6243651	Screw	SN 5308			
40	1	3914010R	Nut	SN 5308			
41	1	3916010R	Washer	SN 5308			
42		-	Not available for this product				
43	1	68240022	Cover	SN 5308			



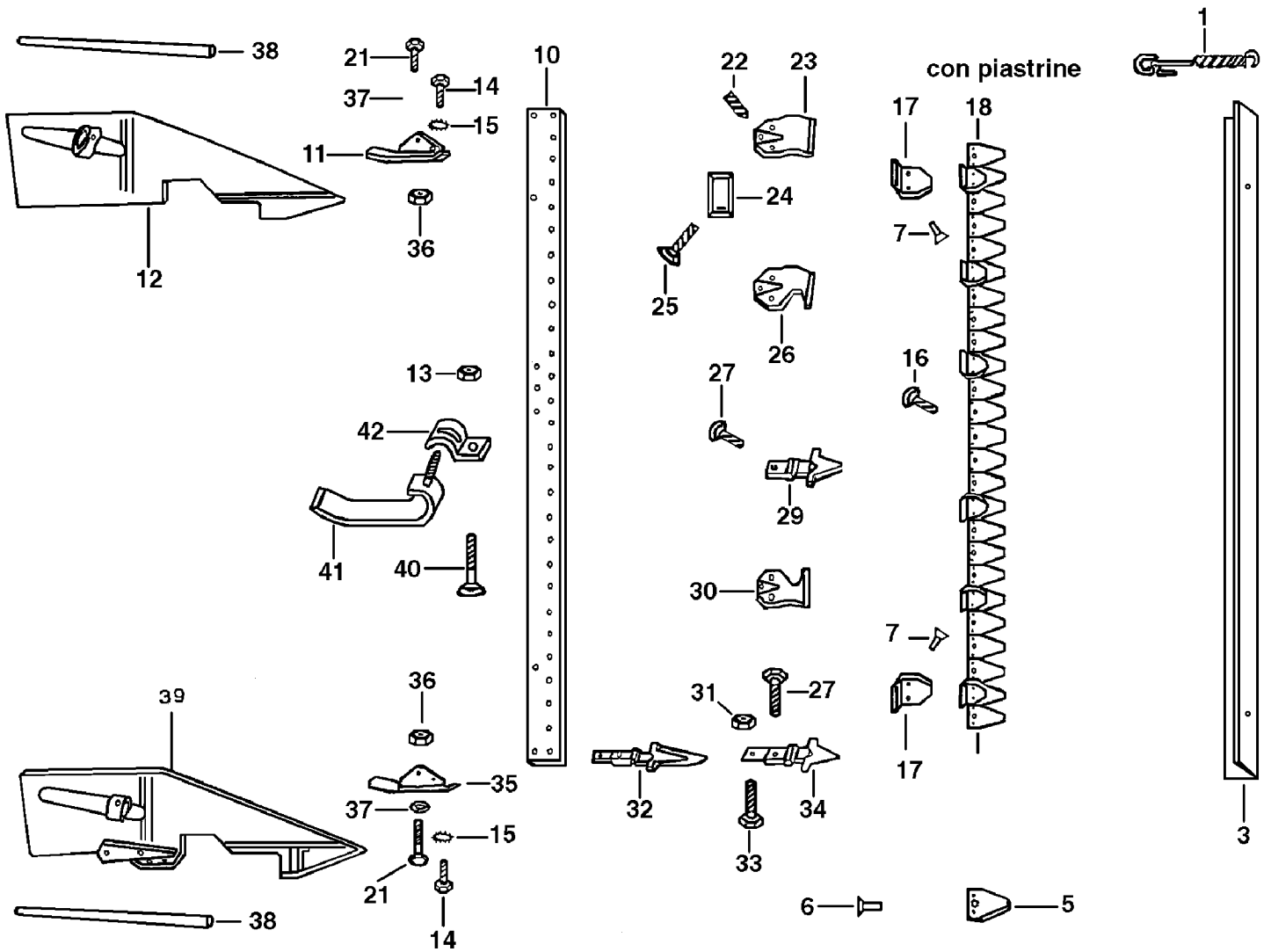
Ref.Nu	Qty	Part number	Description	Validity from	Validity till	Notes	Bulletin
1	1	YN2847300	Knob				
2	1	N2806110	Handle				
3	1	F1300004	Clamp				
4	1	N2542360	Switch			Motori benzina; Gasoline engines	
5	1	N6182150	Screw			Motori benzina; Gasoline engines	
6	1	F1182601	Cable				
7	1	YF1370387	Guard				
9	1	N5476050	Transmission (Stop)			Micro 51; 15LD315; Yanmar L48	
10	1	YN5801000	Adjuster assy				
13	1	N54857508	Transmission				BT12-003-11/10
14	-	-	Not available for this product				
15	1	3914006R	Nut				
16	1	YN3752300	Knob				
18	1	YN1762150	Band				
19	1	3024008	Seeger				
20	1	F1061613	Pin				
28	1	N5649008	Rope				
30	1	N5515845A	Transmission				
31	1	F1251640	Handle kit				
32	1	N5852100A	Clamp				
33	1	N5901500	Clamp				
34	1	YN1764000	Band				
35	1	F1091687	Support				
36	-	-	Not available for this product				
37	1	YF1091657	Lever				
38	1	YN2803660	Fuel control				
40	1	YN5462705	Transmission			Micro 51	
40	1	N5614500	Rope				
40	1	N5611200	Rope			15LD315; Yanmar L48	
41	1	YN5462705	Transmission			Micro 51	
41	1	YN5462710	Bowden cable			15LD315; Yanmar L48	
41	1	N5464000	Transmission				
42	-	-	Not available for this product				
43	1	N3104240	Spring			Intek OHV; B&S	



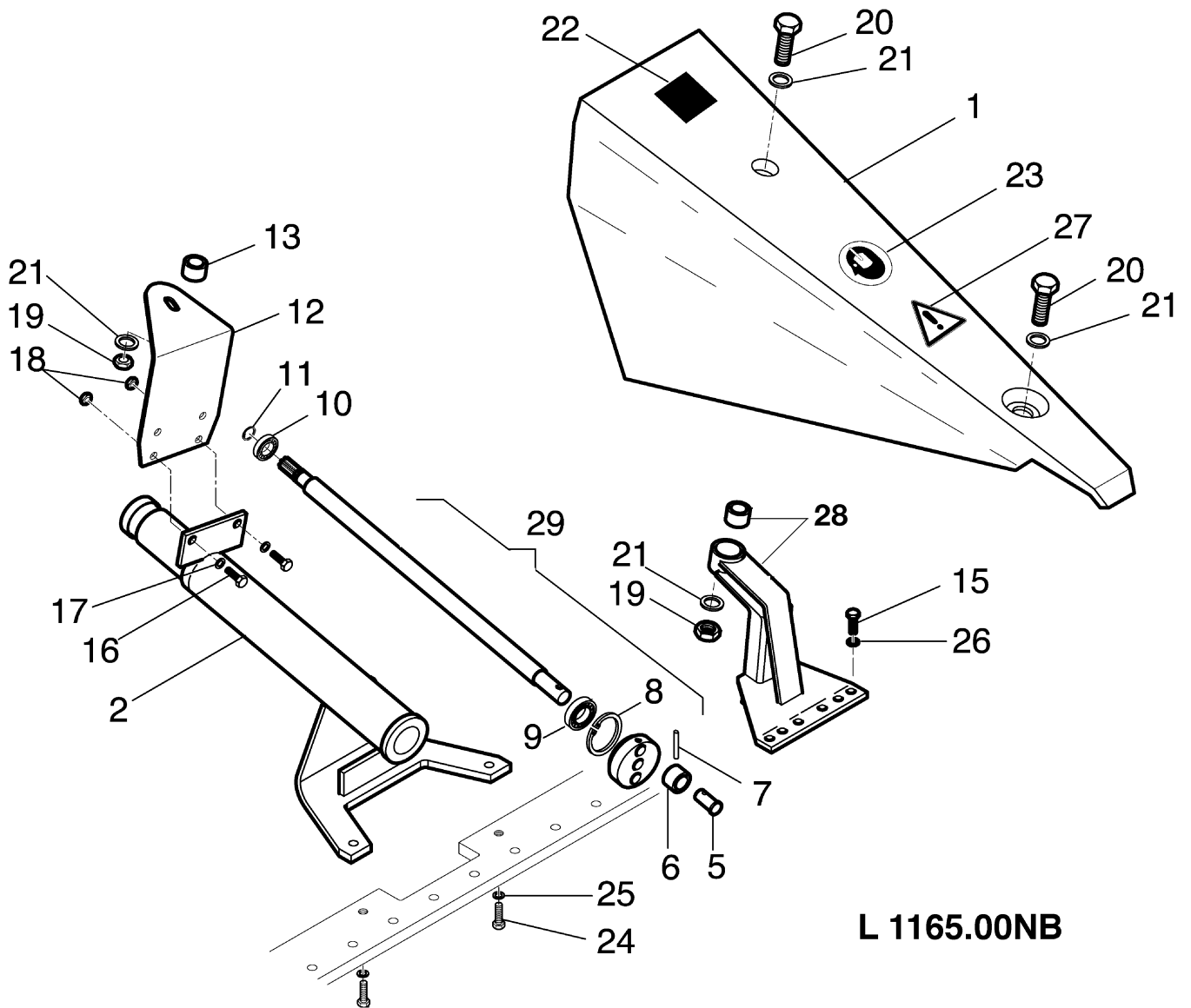
Ref.Nu	Qty	Part number	Description	Validity from	Validity till	Notes	Bulletin
1	1	P0001768	Hood			35-50+60 cm	
1	1	P0001769	Hood			35+50 cm	
2	1	3806063	Screw				
3	1	N4364350	Washer				
4	1	N1457300	Nut				
7	1	YN1257600	Bearing				
8	1	F0017201	Sprocket				
9	1	YN0207300	Ring				
10	1	YN1263701	Bearing				
11	1	68310060	Support				
12	1	F0017200	Housing				
13	1	K3501840	Gasket				
14	1	3806067R	Screw				
15	1	L0116300	Kit containing pair of spacers to limit the rotor width to			35 cm	
15	1	F0017226	Hub			35+50 cm	
15	1	F0017210	Hub			50+60 cm	
16	1	N0209800	Ring				
17	1	N0134200	Seeger				
18	1	N1269800	Bearing				
19	1	K3501920	Plough				
20	1	K8535002	Cap				
21	1	K3501750	Shaft				
22	1	F0017202	Rim				
23	1	3806076	Screw				
25	1	R0000148	Cutters kit			Per fresa 50 cm, kit composto da: K3501790, DX, 10pz + K3501780, SX, 10pz; For tiller 50 cm, set composed by: K3501790, RIGHT, 10pcs + K3501780, LEFT, 10pcs	
25	1	R0000139	Cutters kit			Per fresa 60 cm, kit composto da: F0017002, DX, 10pz + F0017003, SX, 10pz; For tiller 60 cm, set composed by: F0017002, RIGHT, 10pcs + F0017003, LEFT, 10pcs	
27	1	N1458800	Nut				
28	1	N1054500	Cotter pin				
29	1	K3501830	Support				
30	1	K1102480	Wheel				
31	1	YN1060200	Cotter pin				
32	1	3916020	Washer				
33	1	3806067R	Screw				
34	1	N6249300	Screw				
35	1	3819013R	Grower				
36	-	-	Not available for this product				
37	1	Z0020368	Support wheel				
38	-	-	Not available for this product	10/2004			
39	1	320000028R	Nut				
40	-	-	Not available for this product				
41	1	YN1457570	Nut				



Ref.Nu	Qty	Part number	Description	Validity from	Validity till	Notes	Bulletin
1	1	N6259750	Screw				
2	1	3916009	Washer				
3	1	F1053341	Hood			ESM	
3	1	F1053340	Hood				
4	1	F1053336	Pin				
5	1	F1053337	Roller				
6	1	F1053339	Support			ESM	
6	1	F1053338	Support				
7	1	N5129420	Pin				
8	1	300081031	Bearing				
9	1	F1053343	Drive shaft			ESM	
9	1	F1053342	Drive shaft				
10	1	YN1258020	Bearing				
11	1	N6259750	Screw				
12	1	3916009	Washer				
13	1	3914010R	Nut				
14	1	N6333300	Screw				
15	1	3914014R	Nut				
16	1	F1053345	Support			ESM	
16	1	F1053344	Support				
17	1	3806063	Screw			ESM	
17	1	N6243670	Screw				
18	1	CV024132	Washer			ESM	
18	1	N4363500	Washer				
19	1	F1053346	Blade				
20	1	YN0112700	Seeger				

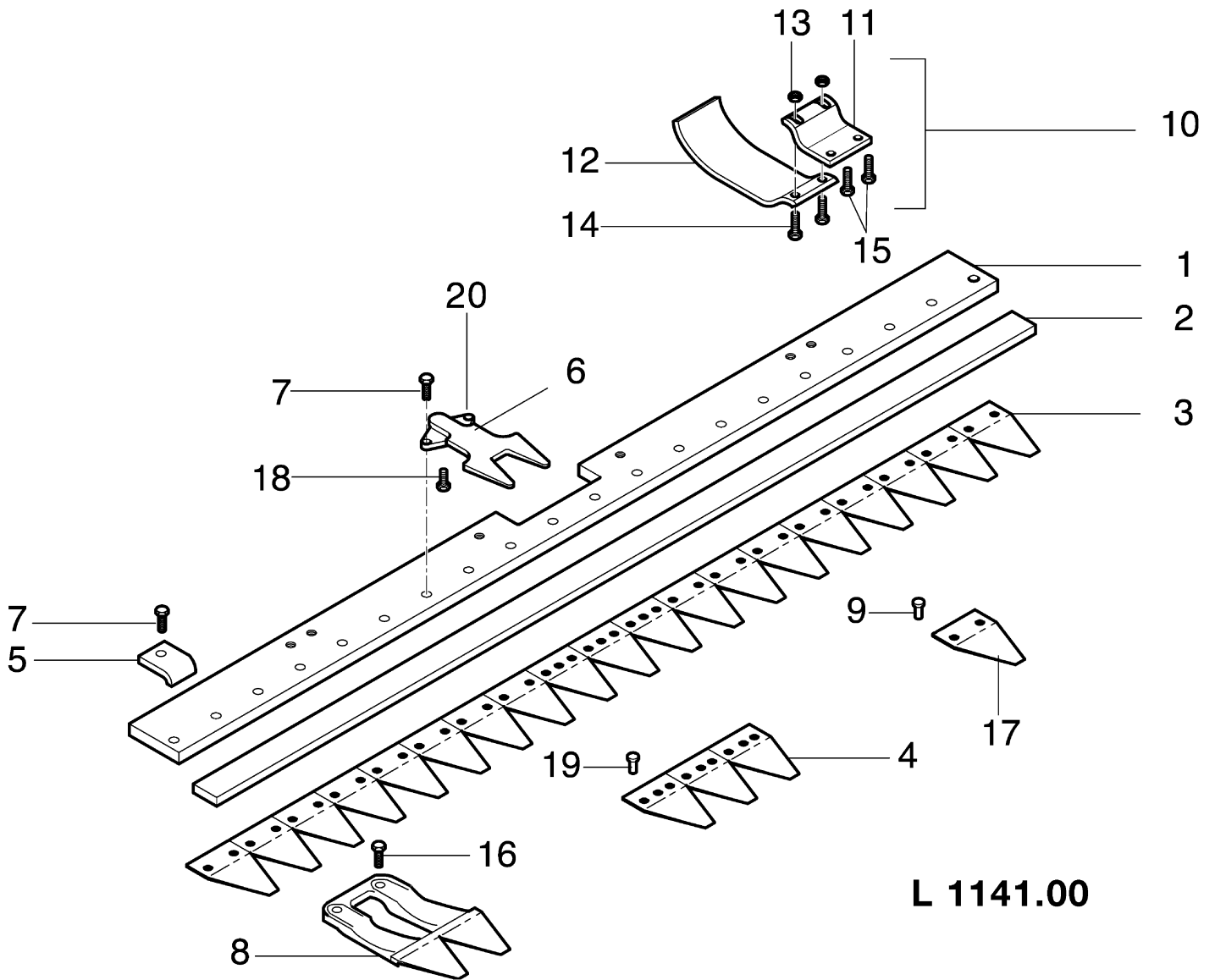


Ref.Nu	Qty	Part number	Description	Validity from	Validity till	Notes	Bulletin
1	1	F0742006	Spring				
3	1	F1053301	Guard				
5	1	F0671672	Blade				
6	1	YN0886600	Rivet				
7	1	N0888000	Screw				
10	1	F1053303	Bar				
11	1	F1053306	Sole				
12	1	F1053307	Shoe			SX; LEFT	
13	1	3914014R	Nut				
14	1	3806063	Screw				
15	1	N4367800	Washer				
16	1	N6194850	Screw				
17	1	F1053309	Plate				
18	1	F1053310	Blade assy				
21	1	3806065	Screw				
22	1	N6321300	Screw				
23	1	F1053316	Press blade				
24	1	F1053317	Plate				
25	1	N6333300	Screw				
26	1	F1053318	Press blade				
27	1	YN6325400	Screw				
29	1	F1053320	Tooth				
30	1	F1053319	Press blade				
31	1	006000091R	Nut				
32	1	R1503502	Tooth				
33	1	3806094R	Screw				
34	1	F1053321	Tooth				
35	1	F1053305	Sole				
36	1	320000028R	Nut				
37	1	3916008R	Washer				
38	1	F1053322	Rod				
39	1	F1053308	Shoe			DX; RIGHT	
40	1	N6330500	Screw				
41	1	R1503545	Sole				
42	1	R1503545	Sole				

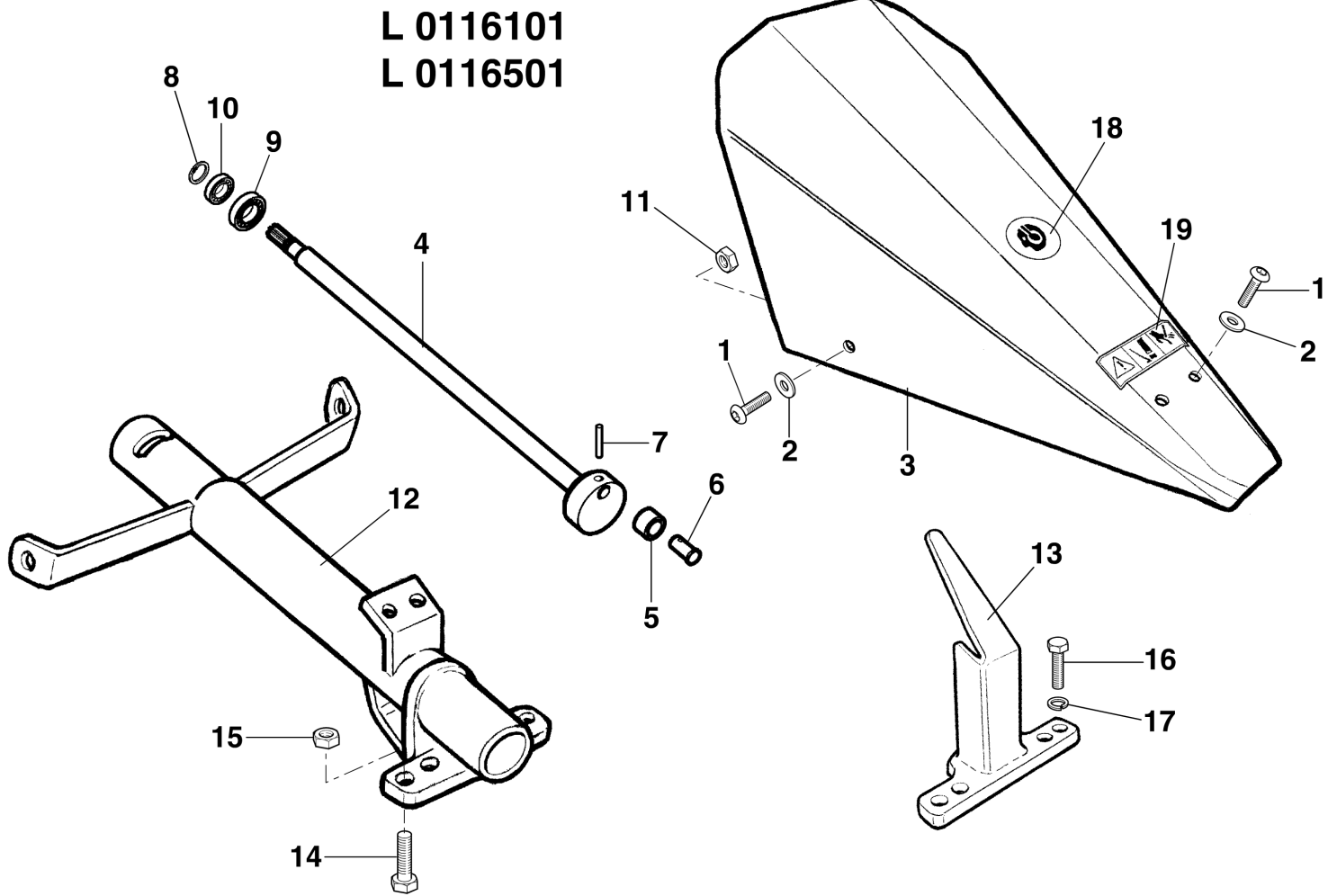


L 1165.00NB

Ref.Nu	Qty	Part number	Description	Validity from	Validity till	Notes	Bulletin
1	1	F1253017	Hood			Bianco; White	
2	1	F1253016	Sleeve				
5	1	F1253018	Pin				
6	1	F1253019	Bushing				
7	1	N5129410	Pin	SN 669			
7	1	YN5129400	Pin		SN 668		
8	1	N0134200	Seeger				
9	1	N1259420	Bearing				
10	1	YN1257600	Bearing		SN 668		
10	1	YN1258020	Bearing	SN 669			
11	1	3024015	Seeger		SN 668		
11	1	YN0112700	Seeger	SN 669			
12	1	F1253036	Support				
13	1	N4924000	Silent block				
15	1	YN6247400	Screw				
16	1	3806065	Screw				
17	1	3916008R	Washer				
18	1	N1458800	Nut				
19	1	YN1470150	Nut				
20	1	N6395100	Screw				
21	1	3916012	Washer				
22	-		Not available for this product				
23	-		Not available for this product				
24	1	YN6325400	Screw				
25	1	3819014R	Grower				
26	1	3819013R	Grower				
27	-		Not available for this product				
28	1	R0000118	Clutch driver	10/2004			
29	1	F1253064	Drive shaft	10/2004			

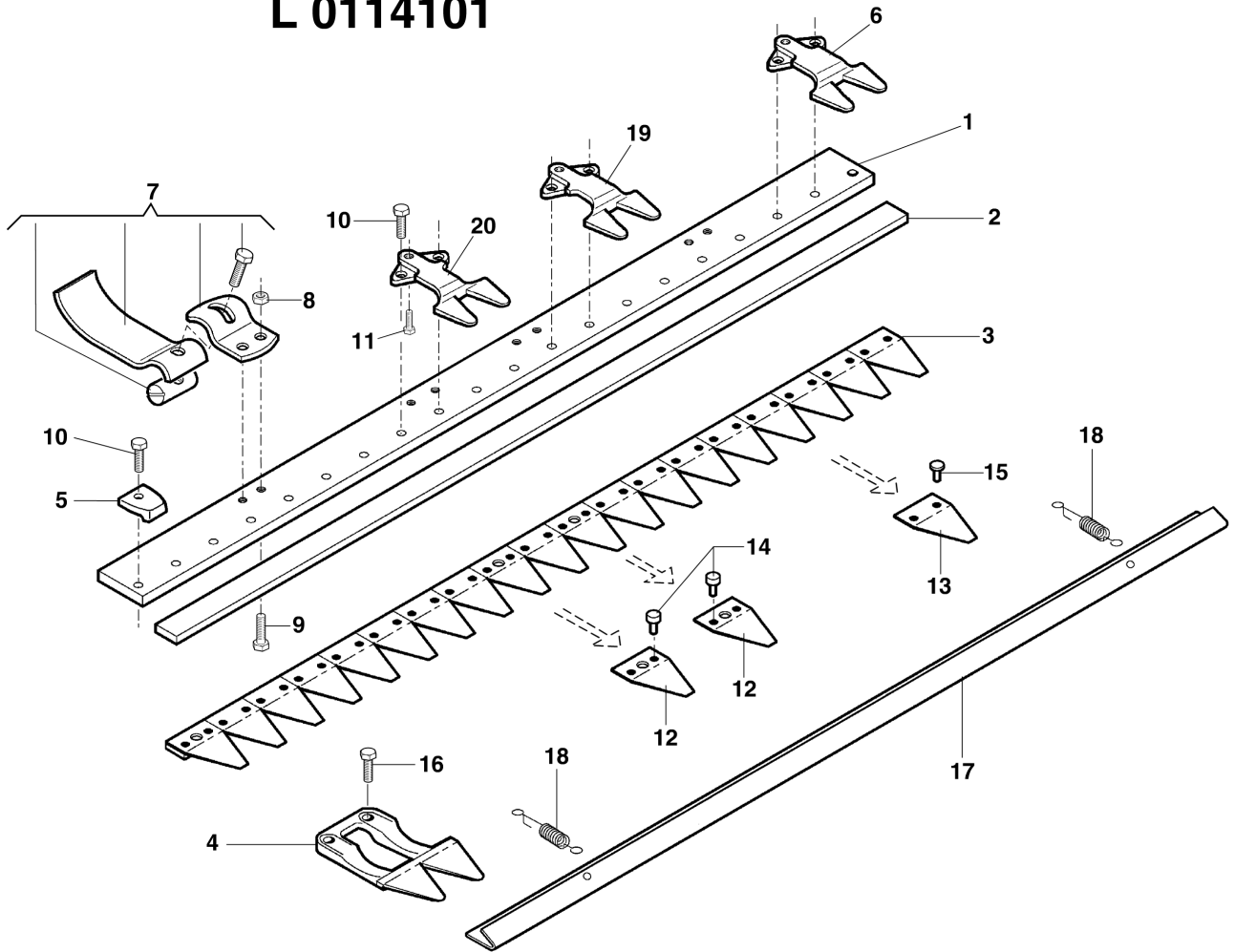


Ref.Nu	Qty	Part number	Description	Validity from	Validity till	Notes	Bulletin
1	1	F1073500	Support				
2	1	F0712027	Slide				
3	1	F1073349	Blade				
4	1	F1073273	Blade				
5	1	F0582687	Plate				
6	1	F1113112	Press blade (Long)			Laterali; Side	
7	1	YN6332800	Screw				
8	1	F1113114	Tooth (Double)				
9	1	YN0886600	Rivet				
10	1	R1503545	Sole				
11	1	F1303151	Support				
12	1	F1303152	Slide				
13	1	YN1457570	Nut				
14	1	YN6262200	Screw				
15	1	N6321250	Screw				
16	1	YN6325400	Screw				
17	1	F1073216R	Blade				
18	1	N6245800	Screw				
19	1	F1073261	Rivet				
20	1	F1253048	Press blade			Centrale SX; Central LEFT	
20	1	F1253047	Press blade			Centrale DX; Central RIGHT	



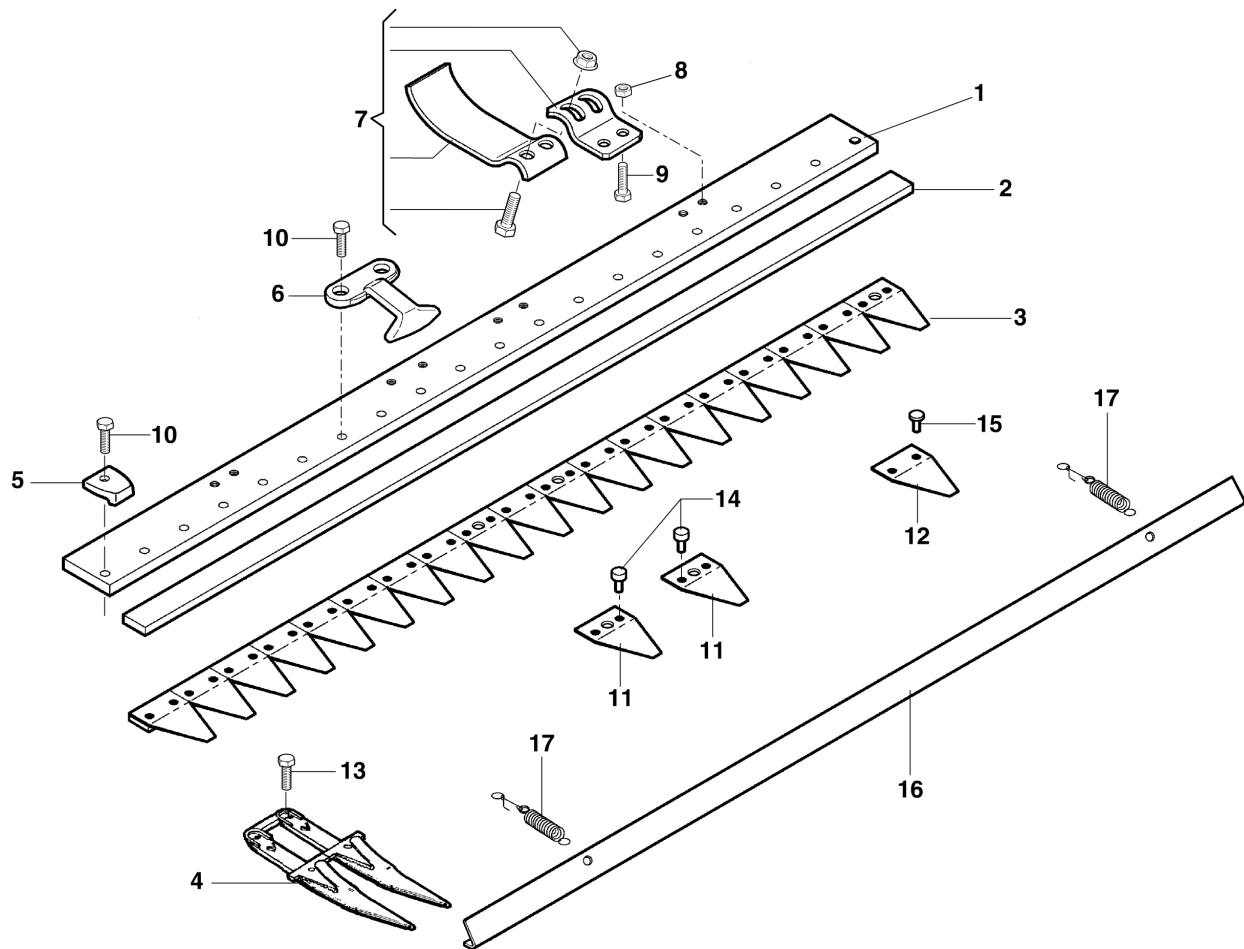
Ref.Nu	Qty	Part number	Description	Validity from	Validity till	Notes	Bulletin
1	4	N6259750	Screw				
2	4	CV020053	Washer				
3	1	CV013714	Hood				
4	1	CV014095	Shaft				
5	1	F1053337	Roller				
6	1	F1053336	Pin				
7	1	CV023660	Pin				
8	1	YN0112700	Seeger				
9	1	300081031	Bearing				
10	1	YN1258020	Bearing				
11	4	3914010R	Nut				
12	1	CV013716	Support				
13	1	CV014080	Clutch driver				
14	4	N6333300	Screw				
15	4	CV020484	Nut				
16	2	CV020176	Screw				
17	2	CV024132	Washer				
18	-		Not available for this product				
19	-		Not available for this product				

L 0114101



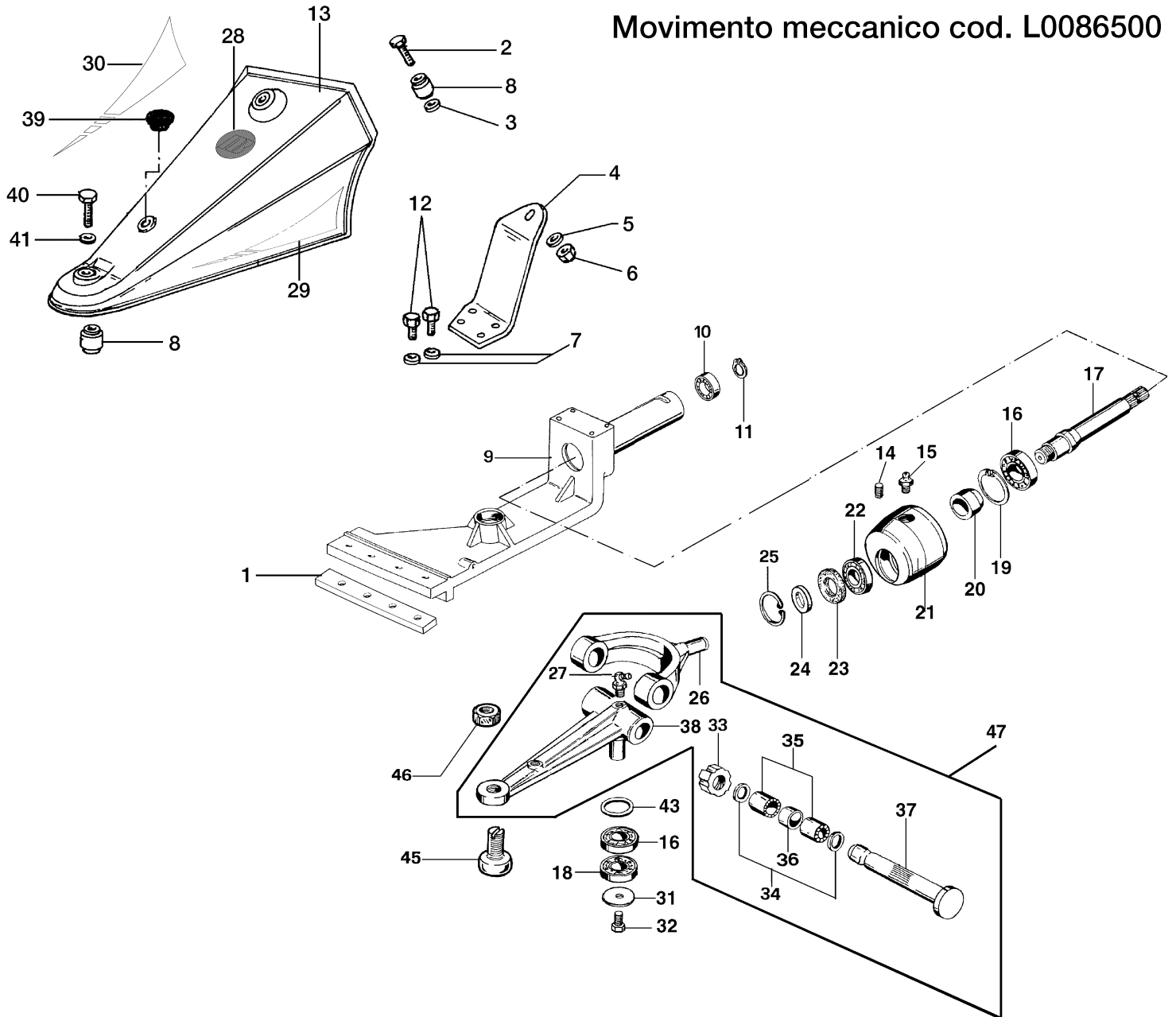
Ref.Nu	Qty	Part number	Description	Validity from	Validity till	Notes	Bulletin
1	1	CV014096	Bar			102 cm	
2	1	F0712027	Slide				
3	1	F1073349	Blade			100 cm	
4	10	F1113114	Tooth (Double)				
5	4	F0582687	Plate				
6	4	F1113112	Press blade (Long)				
7	2	R1503545	Sole				
8	4	3914010R	Nut				
9	4	3806067R	Screw				
10	16	N6333300	Screw				
11	6	N6245800	Screw				
12	3	F1073273	Blade				
13	16	F1073216R	Blade				
14	2	F1073261	Rivet				
15	36	YN0886600	Rivet				
16	4	YN6325400	Screw				
17	1	CV013593	Guard				
18	2	F0742013	Hook				
19	1	F1253048	Press blade			SX; LEFT	
20	1	F1253047	Press blade			DX; RIGHT	

L 0125101

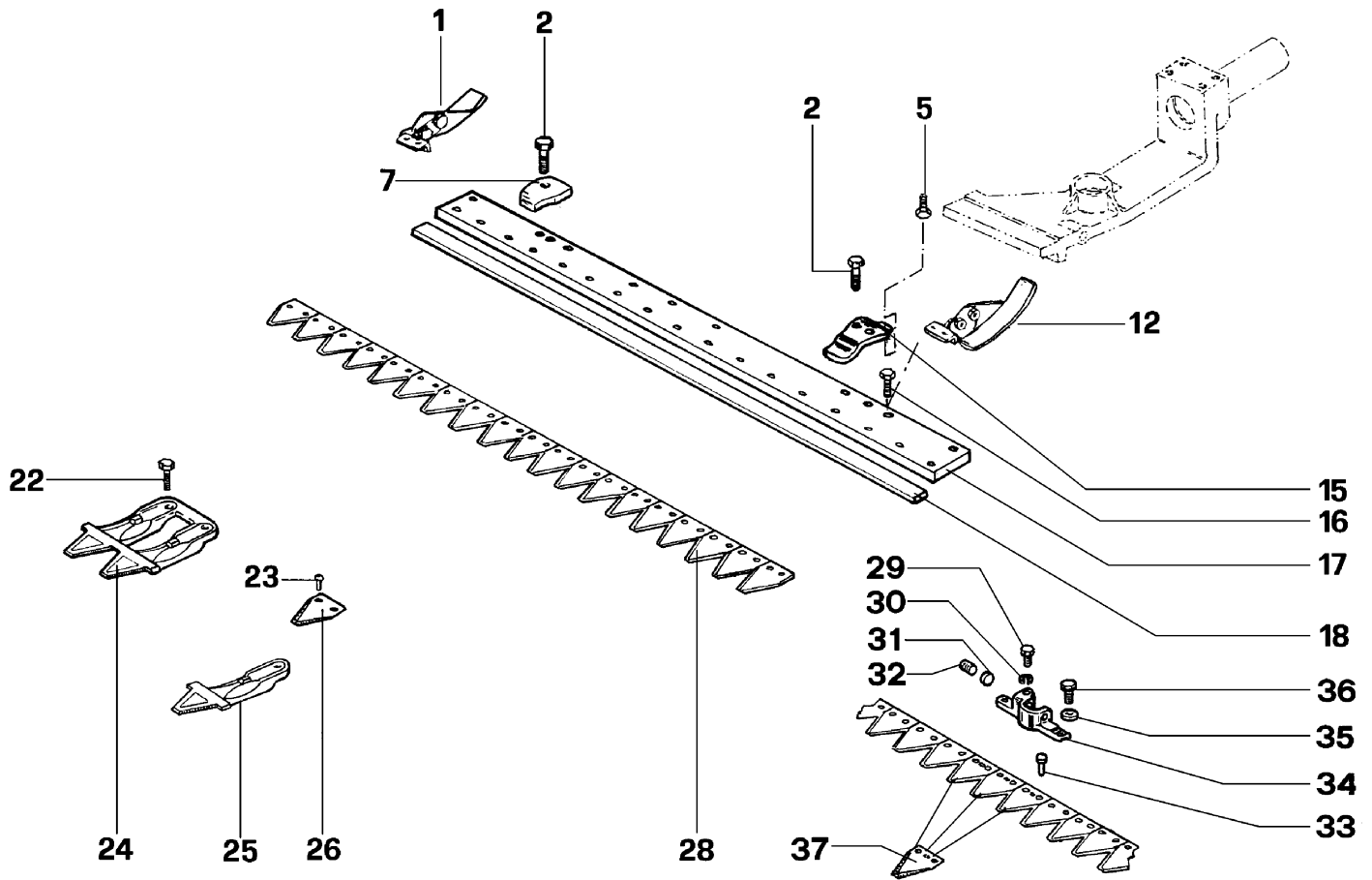


Ref.Nu	Qty	Part number	Description	Validity from	Validity till	Notes	Bulletin
1	1	CV014096	Bar			102 cm	
2	1	F0712027	Slide				
3	1	F1073349	Blade			100 cm	
4	6	F0582688	Tooth (Double)				
5	4	F0582687	Plate				
6	10	F0582685	Press blade (Long)				
7	2	R1503545	Sole				
8	4	3914010R	Nut				
9	4	3806067R	Screw				
10	16	N6333300	Screw				
11	3	F1073273	Blade				
12	16	F1073216R	Blade				
13	4	YN6325400	Screw				
14	2	F1073261	Rivet				
15	36	YN0886600	Rivet				
16	1	CV013593	Guard				
17	2	F0742013	Hook				

Movimento meccanico cod. L0086500



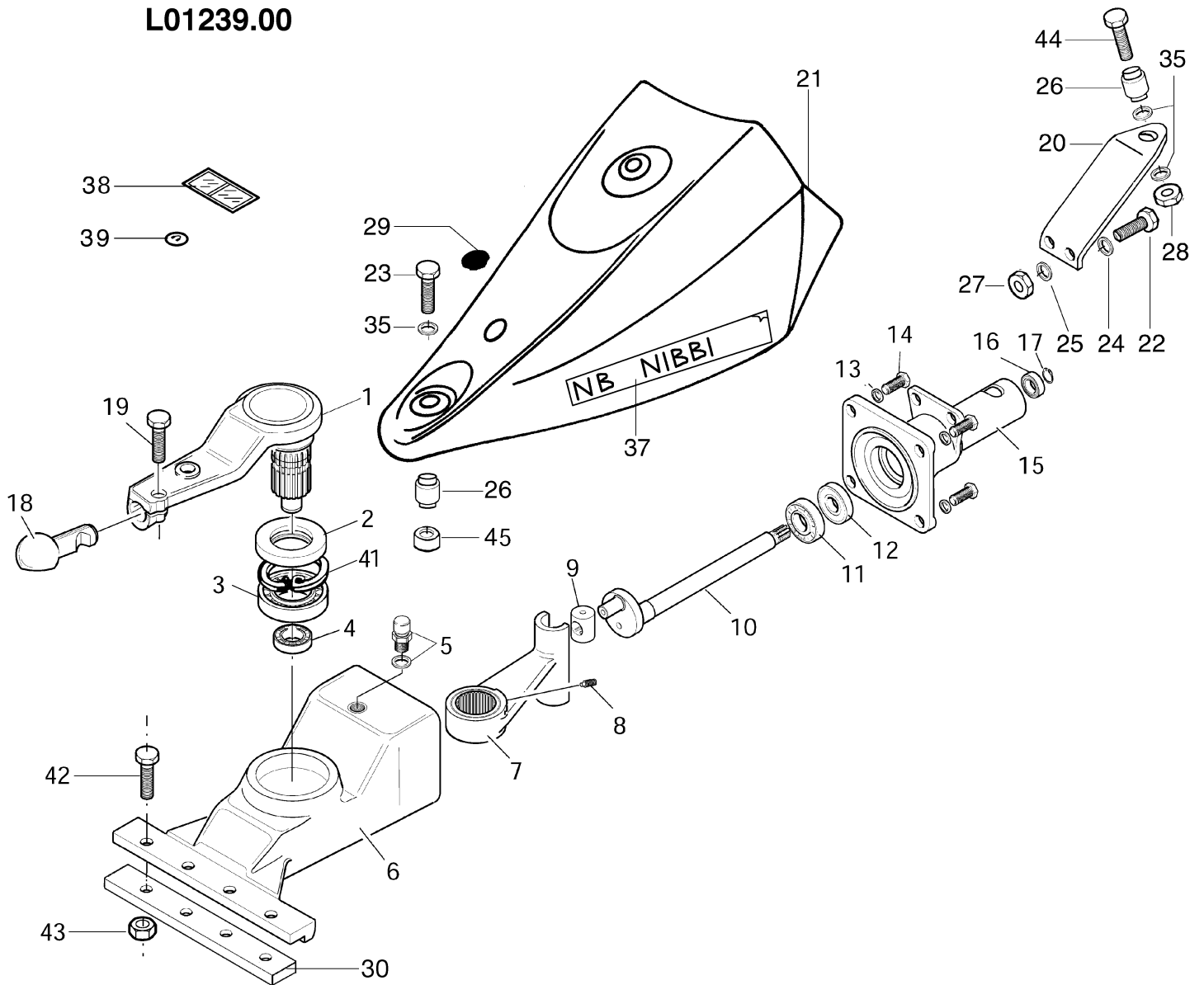
Ref.Nu	Qty	Part number	Description	Validity from	Validity till	Notes	Bulletin
1	1	L0081100	Washer			Utilizzare con ruote > 4.00/5.00-10"; Use with wheels > 4.00/5.00-10	
2	1	N6399710	Screw				
3	1	3916012	Washer				
4	1	F1073346	Support				
5	1	3916012	Washer				
6	1	YN1470200	Nut				
7	1	3819013R	Grower				
8	2	N4924000	Silent block				
9	1	F1253002	Support				
10	1	YN1257600	Bearing				
11	1	K7002003	Ring				
12	1	3806063	Screw				
13	1	PA001254	Hood				
14	1	K8719008	Screw				
15	1	N2605600	Nipple				
16	1	YN1271100	Bearing				
17	1	F1253004	Shaft				
18	1	N1270400	Bearing				
19	1	YN0136800	Seeger				
20	1	F1073145	Spacer				
21	1	F1073105	Floating head				
22	1	N1258301	Bearing				
23	1	N0207500	Ring				
24	1	N4429200	Washer				
25	1	N0130000	Seeger				
26	1	F1073513	Clip				
27	1	N2605600	Nipple				
28	-	-	Not available for this product				
29	-	-	Not available for this product				
30	-	-	Not available for this product				
31	1	F1073372	Washer				
32	1	N6320500	Screw				
33	1	N2101600	Ring nut				
34	1	N5002850	Spacer				
35	1	YN1261350	Bearing				
36	1	YF1073190	Spacer				
37	1	F1073191	Pin				
38	1	YF1073375	Connecting rod				
39	1	N5265900	Cap				
40	1	N6399710	Screw				
41	1	3916012	Washer				
43	1	N5005400	Spacer				
45	1	F1073260	Pin				
46	1	N1474500	Nut				
47	1	P0001289	Support kit				



barra speciale attacco registrabile

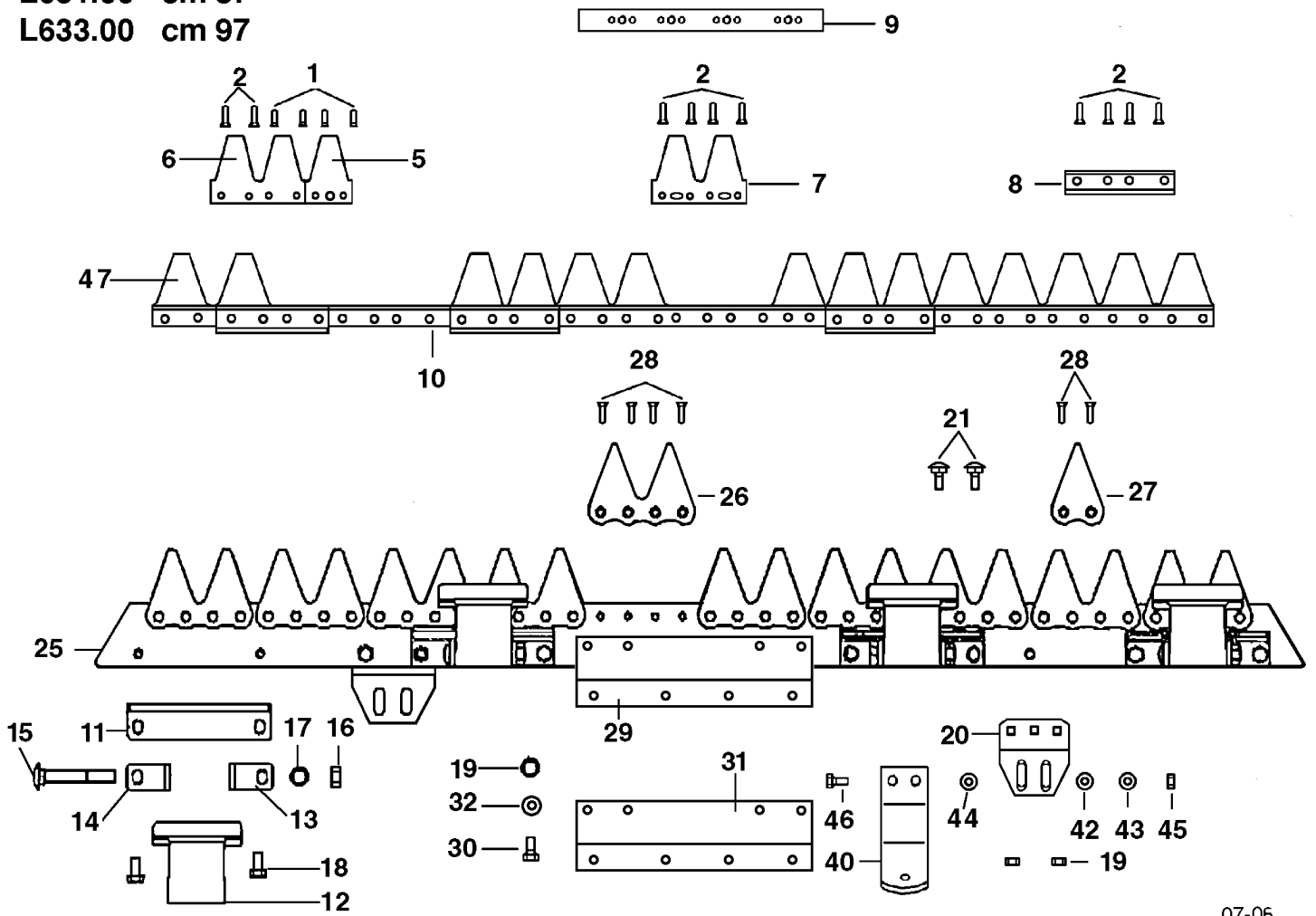
Ref.Nu	Qty	Part number	Description	Validity from	Validity till	Notes	Bulletin
1	1	F1303153	Sliding block	10/2004			
2	1	YN6332800	Screw				
5	1	N6245800	Screw				
7	1	F0582687	Plate				
12	1	F1303153	Sliding block	10/2004			
15	1	F1113112	Press blade (Long)				
16	1	N6321250	Screw	10/2004			
17	1	F1303118	Plate			1270 mm	
17	1	F1303117	Plate			1150 mm	
17	1	F1303116	Plate			950 mm	
18	1	F0712031	Slide			1150 mm	
18	1	F0712027	Slide			950 mm	
18	1	F0591593	Slide			1270 mm	
22	1	N6322000	Screw				
23	1	YN0886600	Rivet				
24	1	F1113114	Tooth (Double)				
25	1	F1113114	Tooth (Double)				
26	1	F1073216R	Blade				
28	1	F1073349	Blade			950 mm SP	
28	1	F1073277	Blade			1270 mm SP	
28	1	F1073276	Blade			1150 mm SP	
29	1	YN6262200	Screw				
30	1	3819013R	Grower				
31	1	YF1073364	Valve				
32	1	N6433900	Screw				
33	1	F1073261	Rivet				
34	1	F1073363B	Clutch driver			Per barra SP; For SP bar	
35	1	3819013R	Grower				
36	1	3806063	Screw				
37	1	F1073273	Blade				

L01239.00



Ref.Nu	Qty	Part number	Description	Validity from	Validity till	Notes	Bulletin
1	1	F1303156	Connecting rod				
2	1	YN0222805	Ring				
3	1	N1289200	Bearing				
4	1	YN1263701	Bearing				
5	1	K4101420	Cap				
6	1	F1303100	Housing				
7	1	F1303102	Connecting rod				
8	1	N6251000	Screw				
9	1	F1303106	Switch				
10	1	F1303162	Shaft				
11	1	N1272501	Bearing				
12	1	N0210045	Ring				
13	1	3819014R	Grower				
14	1	3806094R	Screw				
15	1	F1303161	Cover				
16	1	YN1257600	Bearing				
17	1	3024015	Seeger				
18	1	F1303155	Pin				
19	1	3806094R	Screw				
20	1	F1303125	Support				
21	1	PA001254	Hood				
22	1	3806067R	Screw				
23	1	N6399710	Screw				
24	1	3819013R	Grower				
25	1	3916008R	Washer				
26	1	N4924000	Silent block				
27	1	320000028R	Nut				
28	1	YN1470200	Nut				
29	1	N5265900	Cap				
30	1	L0081100	Washer			Utilizzare con ruote > 4.00/5.00-10"; Use with wheels > 4.00/5.00-10	
35	1	3916012	Washer				
37	-	-	Not available for this product				
38	-	-	Not available for this product				
39	-	-	Not available for this product				
41	1	N0140800	Seeger				
42	1	YN6332800	Screw				
43	1	YN1463650	Nut				
44	1	N6399710	Screw				
45	1	F1303133	Spacer				

L631.00 cm 87
L633.00 cm 97

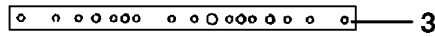


07-06

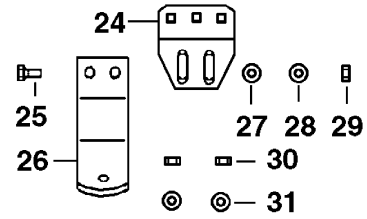
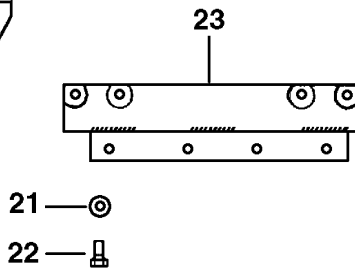
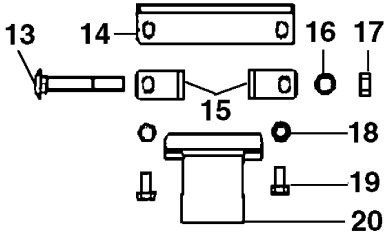
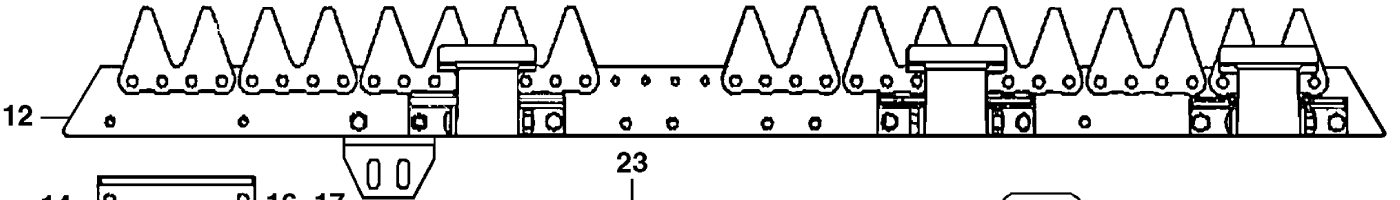
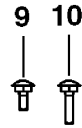
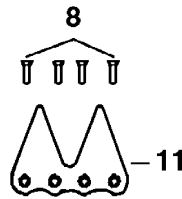
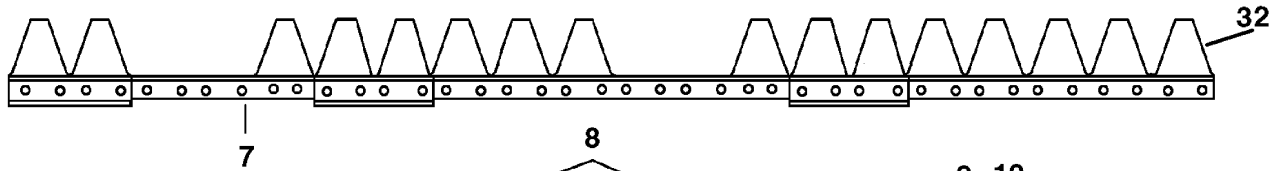
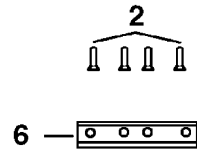
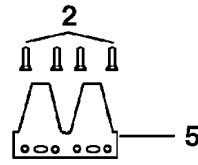
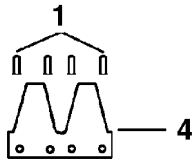
Ref.Nu	Qty	Part number	Description	Validity from	Validity till	Notes	Bulletin
1	1	F1073454	Screw				
2	1	R1504706	Rivet				
5	1	R1504741	Shear blade (Single)				
6	1	F1073451	Shear blade (Double)				
7	1	F1073452	Shear blade (Double)				
8	1	F1073453	Slide				
9	1	F1073527	Plate				
10	1	R1504734	Blade				
10	1	R1504733	Blade				
11	1	F1073458	Plate				
12	1	F1073457	Pusher				
13	1	R1504743	Bracket				
14	1	R1504744	Bracket				
15	1	F1073462	Screw				
16	1	006000091R	Nut				
17	-	-	Not available for this product				
18	-	-	Not available for this product				
19	-	-	Not available for this product				
20	1	F1073430	Attachment (Sole)				
21	1	F1073530	Screw				
25	1	F1073531	Back (Bar)			87 cm	
25	1	F1073532	Back (Bar)			97 cm	
26	1	F1073456	Tooth (Double)				
27	1	R1504740	Tooth (Single)				
28	1	F1073425	Rivet				
29	1	F1073533	Main board				
30	1	F1073535	Screw				
31	1	F1073534	Main board				
32	1	YN4365400	Washer				
40	1	F1073428	Sole				
42	1	3916008R	Washer				
43	1	YN4365400	Washer				
44	1	F1073443	Washer				
45	1	R1504723	Nut				
46	1	3806067R	Screw				
47	1	R1504733	Blade				
47	1	R1504734	Blade				

L635.00

L637.00



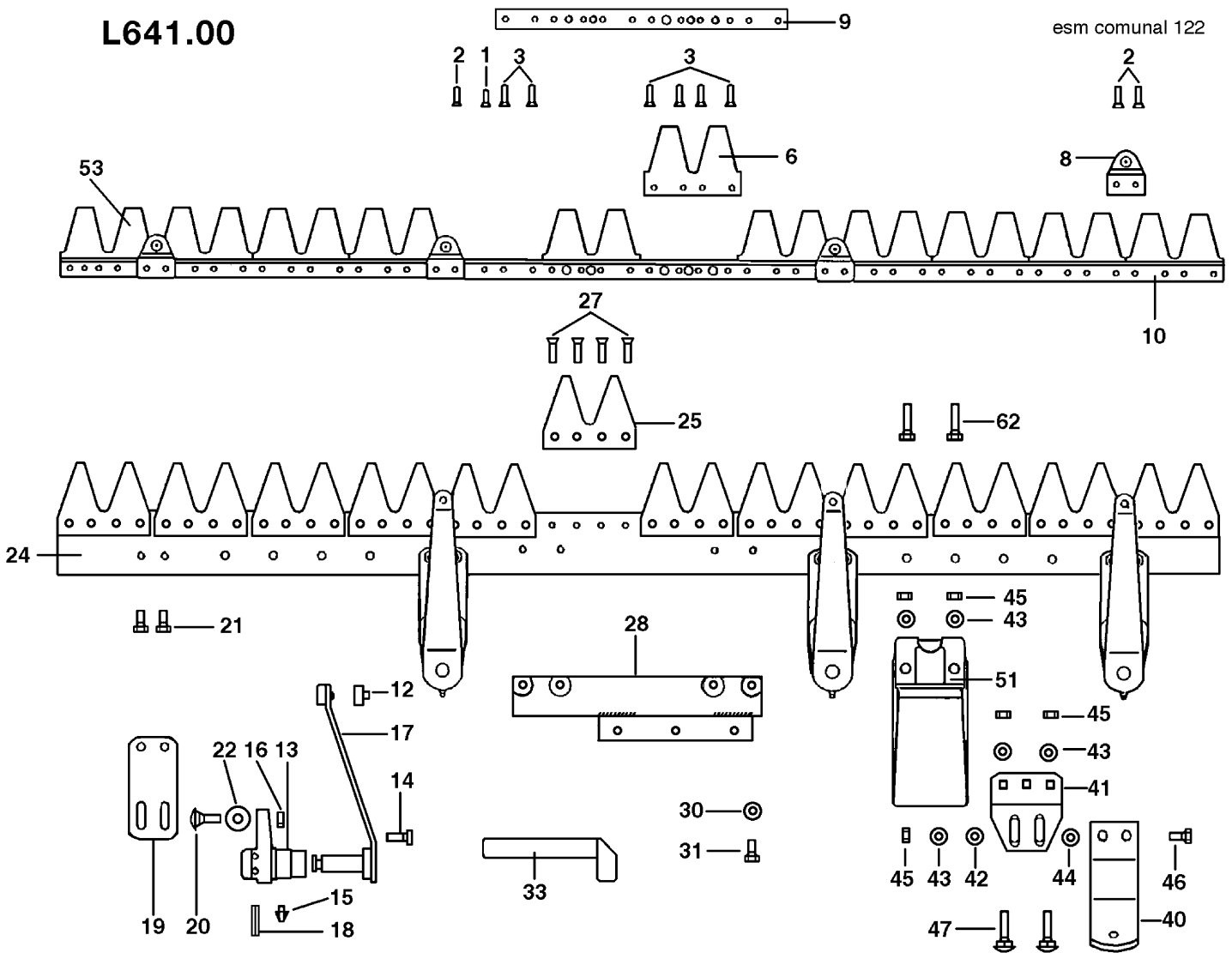
esm universal 102/122clip clap



07/06

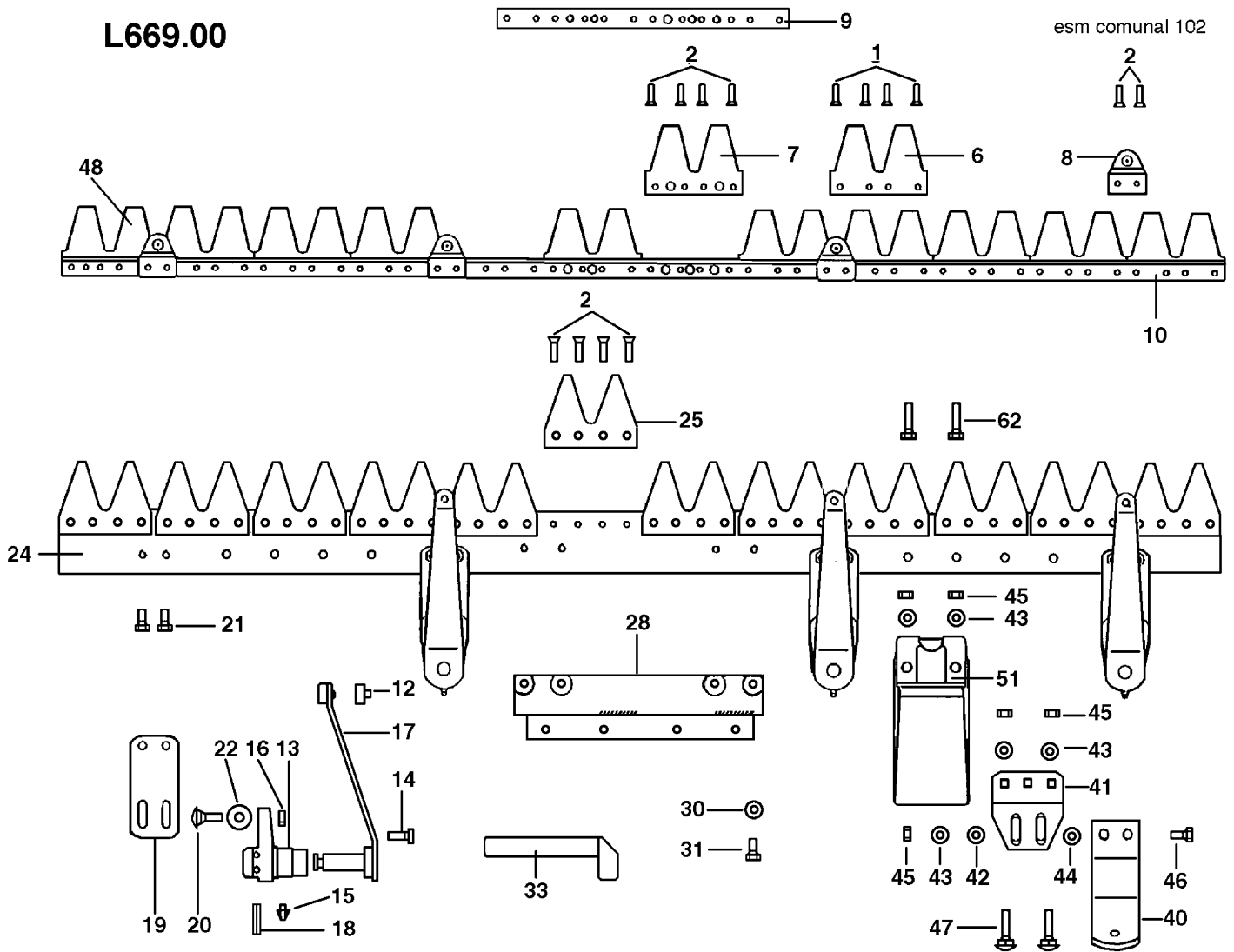
Ref.Nu	Qty	Part number	Description	Validity from	Validity till	Notes	Bulletin
1	1	R1504705	Rivet				
2	1	R1504706	Rivet				
3	1	F1073501	Plate				
4	1	F1073451	Shear blade (Double)				
5	1	F1073452	Shear blade (Double)				
6	1	F1073453	Slide				
7	1	F1073502	Back (Blade)			142 cm	
7	1	F1073468	Shear blade			122 cm	
8	1	N0892500	Rivet				
9		-	Not available for this product				
10		-	Not available for this product				
11	1	F1073456	Tooth (Double)				
12	1	F1073505	Back (Bar)			102 cm	
12	1	F1073506	Back (Bar)			142 cm	
13	1	F1073462	Screw				
14	1	F1073458	Plate				
15	1	F1073459	Bracket				
16		-	Not available for this product				
17	1	006000091R	Nut				
18		-	Not available for this product				
19	1	3806063	Screw				
20	1	F1073457	Pusher				
21	1	YN4365400	Washer				
22	1	YN6254600	Screw				
23	1	F1073401	Connection plate				
24	1	F1073430	Attachment (Sole)				
25	1	3806067R	Screw				
26	1	F1073428	Sole				
27	1	3916008R	Washer				
28	1	YN4365400	Washer				
29	1	R1504723	Nut				
30		-	Not available for this product				
31		-	Not available for this product				
32	1	F1073468	Shear blade			122 cm	
32	1	F1073467	Shear blade			102 cm	

L641.00



Ref.Nu	Qty	Part number	Description	Validity from	Validity till	Notes	Bulletin
1	1	R1504705	Rivet				
2	1	R1504706	Rivet				
3	1	F1073441	Rivet				
6	1	R1504709	Shear blade (Double)				
8	1	R1504764	Support				
9	1	F1073438	Plate				
10	1	F1073409	Shear blade			122 cm	
12	1	R1504773	Bushing				
13	1	R1504768	Support				
14	1	R1504769	Screw				
15	1	R1504770	Nipple				
16	1	R1504723	Nut				
17	1	R1504772	Swing arm				
18	1	R1504771	Pin				
19	1	F1073436	Plate				
20	1	F1073442	Screw				
21	1	N6249300	Screw				
22	1	R1504776	Washer				
24	1	F1073417	Back (Bar)			122 cm	
25	1	F1073422	Tooth (Double)				
27	1	N0892500	Rivet				
28	1	F1073401	Connection plate				
30	1	YN4365400	Washer				
31	1	YN6254600	Screw				
33	1	F1073415	Lever (Fitting)				
40	1	F1073428	Sole				
41	1	F1073430	Attachment (Sole)				
42	1	3916008R	Washer				
43	1	YN4365400	Washer				
44	1	F1073443	Washer				
45	1	R1504723	Nut				
46	1	3806067R	Screw				
47	1	R1504720	Screw				
51	1	F1073432	Slide shoe				
52	1	3806070R	Screw				
53	1	F1073409	Shear blade			122 cm	

L669.00



Ref.Nu	Qty	Part number	Description	Validity from	Validity till	Notes	Bulletin
1	1	R1504705	Rivet				
2	1	R1504706	Rivet				
6	1	F1073451	Shear blade (Double)				
7	1	F1073452	Shear blade (Double)				
8	1	R1504764	Support				
9	1	F1073438	Plate				
10	1	F1073525	Back (Blade)			102 cm	
12	1	R1504773	Bushing				
13	1	R1504768	Support				
14	1	R1504769	Screw				
15	1	R1504770	Nipple				
16	1	R1504723	Nut				
17	1	R1504772	Swing arm				
18	1	R1504771	Pin				
19	1	F1073436	Plate				
20	1	F1073442	Screw				
21	1	N6249300	Screw				
22	1	R1504776	Washer				
24	1	F1073526	Back (Bar)			102 cm	
25	1	F1073456	Tooth (Double)				
27	1	N0892500	Rivet				
28	1	F1073401	Connection plate				
30	1	YN4365400	Washer				
31	1	YN6254600	Screw				
33	1	F1073415	Lever (Fitting)				
40	1	F1073428	Sole				
41	1	F1073430	Attachment (Sole)				
42	1	3916008R	Washer				
43	1	YN4365400	Washer				
44	1	F1073443	Washer				
45	1	R1504723	Nut				
46	1	3806067R	Screw				
47	1	R1504720	Screw				
48	1	F1073524	Blade				
51	1	F1073432	Slide shoe				
52	1	3806070R	Screw				