



our **power**, your **passion**

NIBBI BRIK 1

(ÅRG. 2009 TIL 2012)



Henrik A. Fog A/S

Lyngager 5-11

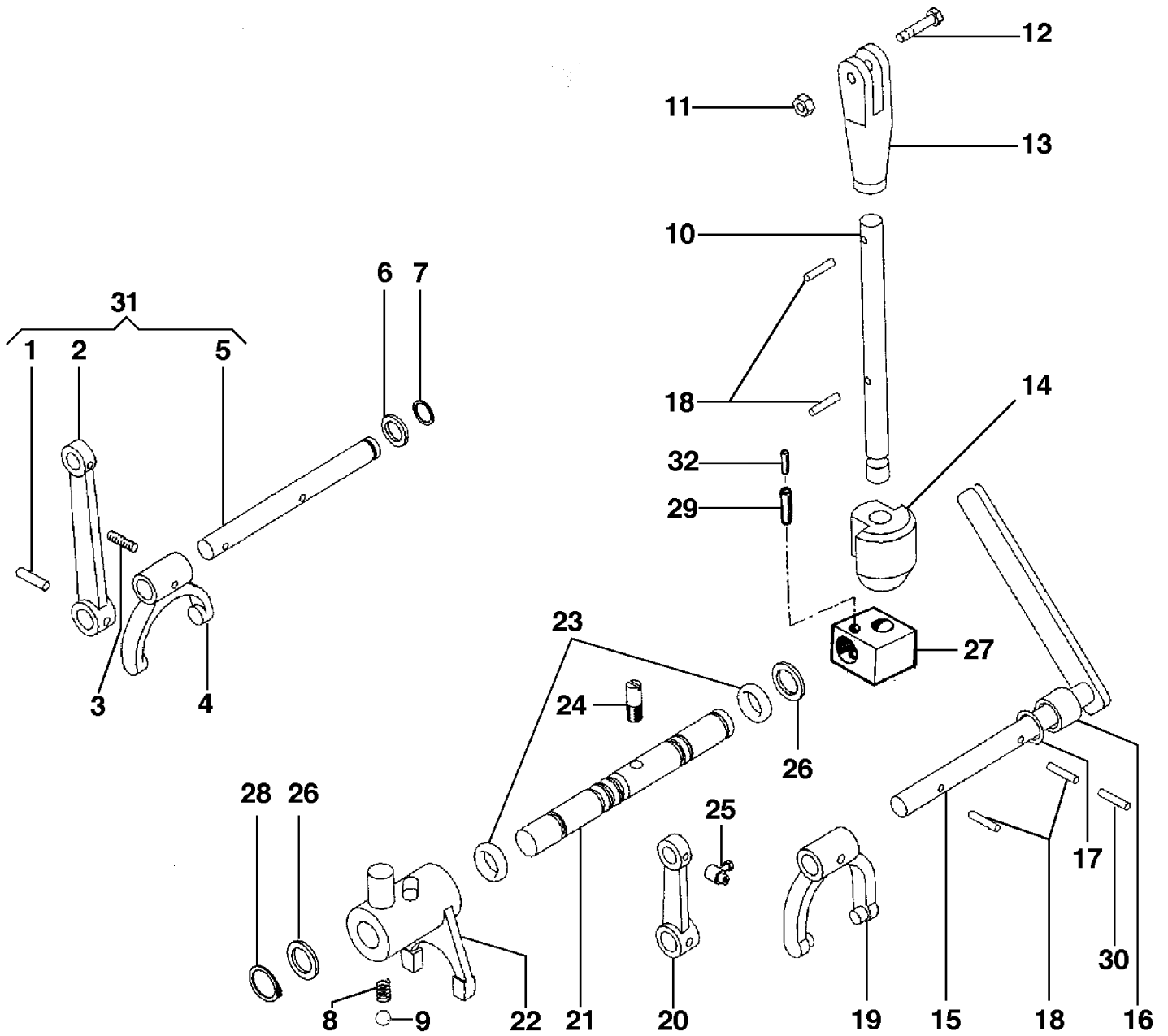
2605 Brøndby

Tel 43966611

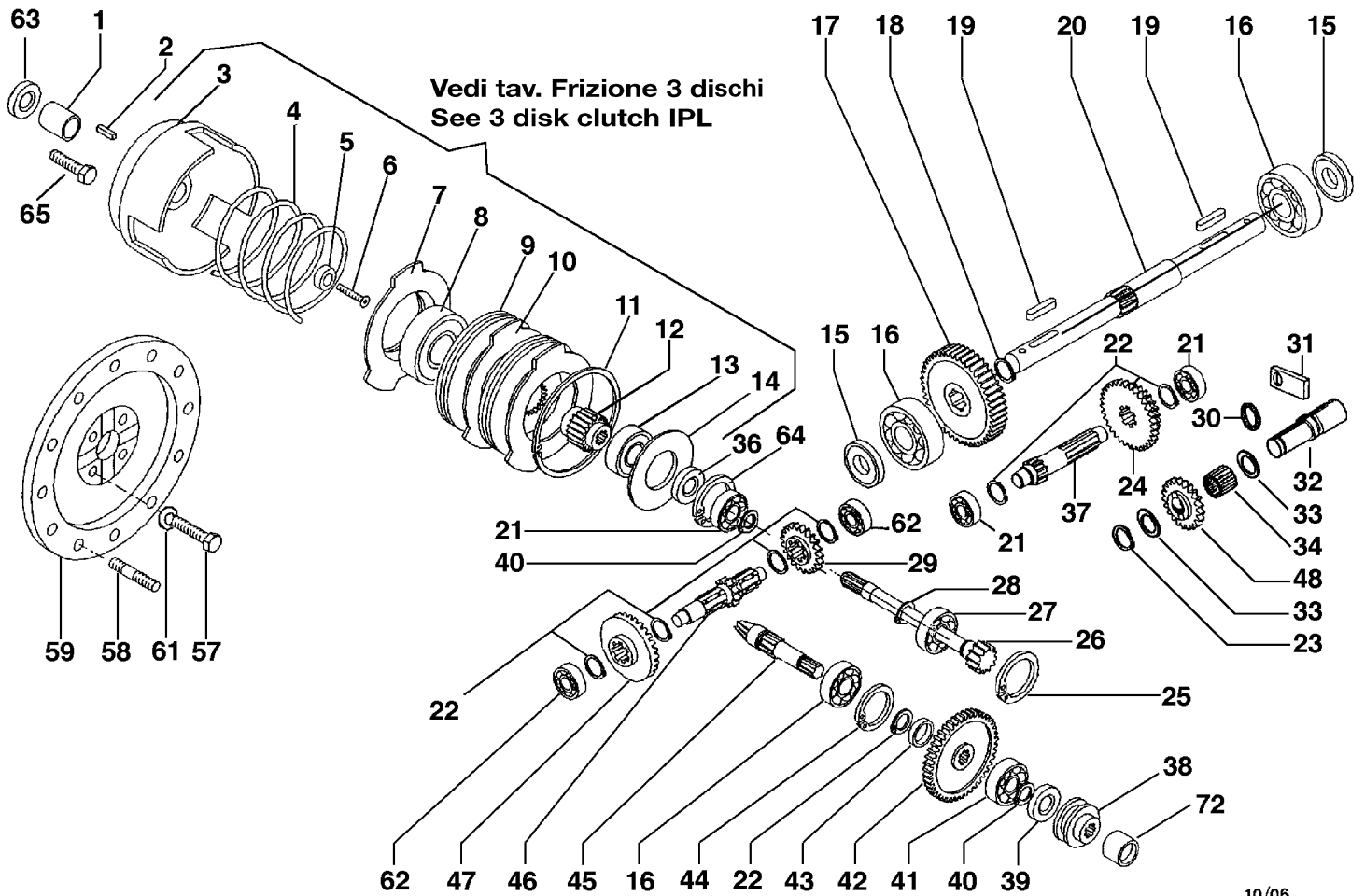
Fax 43266624

reservedele@hafog.dk

www.hafog.dk

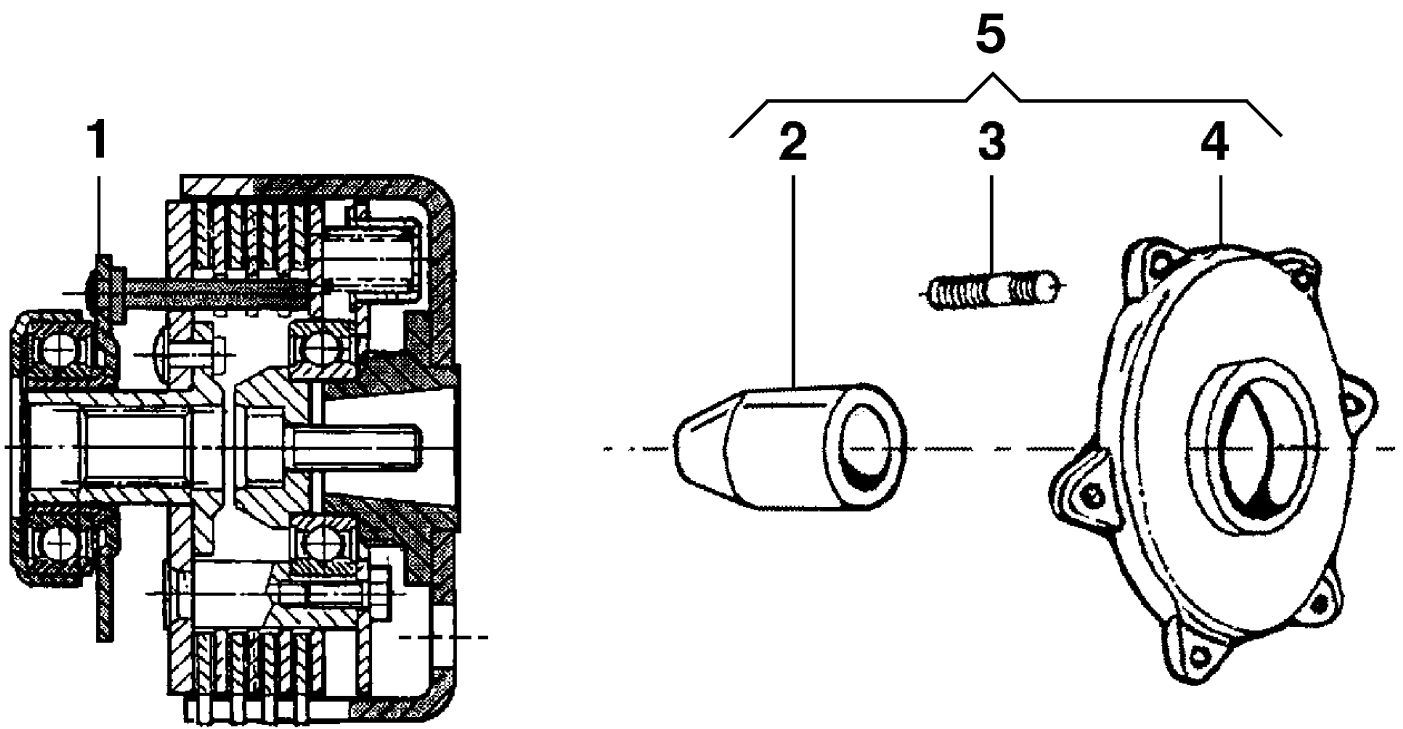


Ref.Nu	Qty	Part number	Description	Validity from	Validity till	Notes	Bulletin
1		-	Not available for this product				
2		-	Not available for this product				
3	1	K3501070	Screw				
4	1	K3500940	Clip				
5		-	Not available for this product				
6	1	N5001700	Washer				
7	1	3024012	Ring				
8	1	N3101500	Spring				
9	1	N4743200	Ball				
10	1	F1241613	Lever				
11	1	3914006R	Nut				
12	1	3801024	Screw				
13	1	F1241619	Bushing				
14	1	F1241614	Shoe				
15	1	F1241623	Shaft (Complete)				
16	1	N0403000	Bushing				
17	1	3916012	Washer				
18	1	N5113800	Pin				
19	1	K3500140	Clip				
20	1	K3500510	Lever				
21	1	F1241615E	Shaft				
22	1	F1250815	Clip				
22	1	F1250860D	Clip				
23	1	N0306000	O-ring				
24	1	F1250816C	Screw				
25	1	N5901500	Clamp				
26	1	N5002600	Washer				
26	1	N5002610	Washer				
27	1	F1241616	Support				
28	1	3024016	Seeger				
29	1	N5126100	Pin				
30	1	N5101450	Pin				
31	1	F1250856	Control rod				
32	1	N5109400	Pin				

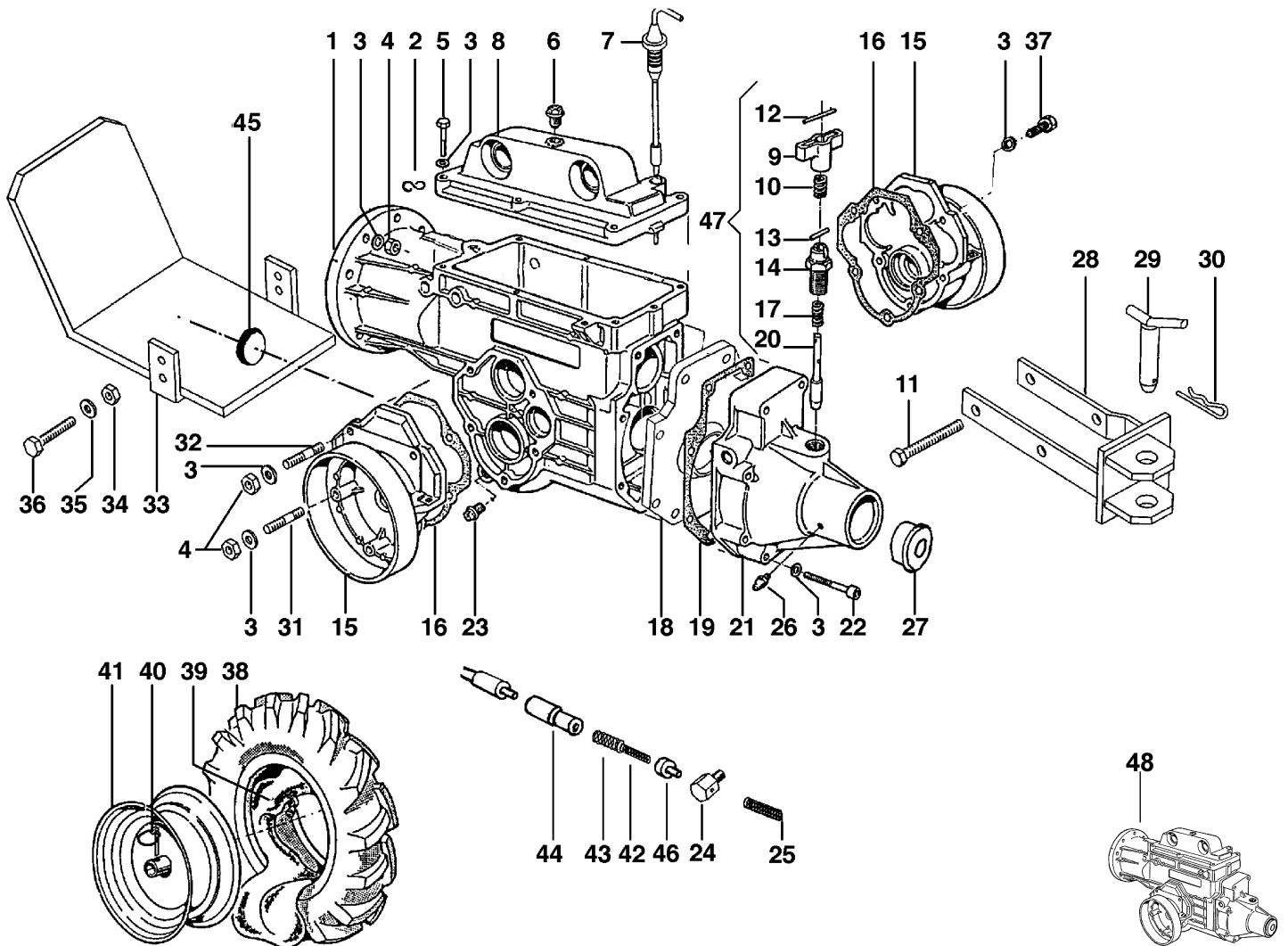


Ref.Nu	Qty	Part number	Description	Validity from	Validity till	Notes	Bulletin
1	1	F1250008	Spacer			Honda GX160; B&S; Tecumseh	
2	1	YN0643450	Key			Honda; B&S; Tecumseh	
3	1	K3500860	Clutch drum				
3	1	F1250009	Clutch drum			EY20; Albero tipo Q; Q type shaft	
4	1	K3500900	Spring				
5	1	K3500930	Washer				
5	1	F1250010	Washer			EY20; Albero tipo Q; Q type shaft	
6	1	YN6265500	Screw				
6	1	K3501030	Screw			Honda; B&S; Tecumseh	
6	1	K8715023	Screw			EURO; ACME	
6	1	N6309775	Screw			EURO; EY20; Albero tipo Q; Q type shaft	
7	1	K3500870	Disk				
8	1	N1274550	Bearing				
9	1	K3500880	Clutch disc				
10	1	K3500890	Spacer				
11	1	N0143300	Ring				
12	1	K3500920	Sleeve				
13	1	YN1263201	Bearing				
14	1	K3500910	Washer				
15	1	YN0207300	Ring				
16	1	N1263100	Bearing				
17	1	F1250819	Gear			Cambio veloce; Speed gear	
17	1	F1250813	Gear				
18	1	YN0118500	Seeger				
19	1	YK7811007	Key				
20	1	F1250814	Axle				
21	1	YN1257000	Bearing				
22	1	3024020R	Seeger				
23	1	3024012	Ring				
24	1	F1240801	Gear				
25	1	N0130000	Seeger				
26	1	F1240800	Shaft				
27	1	YN1258800	Bearing				
28	1	YN0112700	Seeger				
29	1	F1240804	Gear				
30	1	N0306000	O-ring				
31	1	F1240803	Plate				
32	1	F1240806	Pin				
33	2	N5001750	Washer				
34	1	3037026R	Roller cage				
36	1	N0204850	Ring				
37	1	F1250818	Gear			Cambio veloce; Speed gear	
37	1	F1250812	Gear				
38	1	F1250851	Bushing			Solo per versioni speciali: cambio veloce; Only for special version: speed gear	
38	1	F1250805	Bushing				
39	1	K7032002	Ring				
40	1	3024015	Seeger				
41	1	N1257700	Bearing				
42	1	F1250804	Gear				
43	1	F1250808	Spacer				
44	1	N0130900	Seeger				
45	1	F1250809	Sprocket				
46	1	F1250811	Shaft				
47	1	F1250810	Rim				
48	1	F1240805	Gear				
57	1	YN6243980	Screw			Honda; B&S; Tecumseh	
58	1	N3812500	Stud			Honda; B&S; Tecumseh	
59	1	68310038A	Flange			Honda GX160	
59	1	F1050027G	Flange			Honda GC160; B&S; Tecumseh	
61	1	YN4365400	Washer			Honda; B&S; Tecumseh	
62	1	094000006R	Bearing				
63	1	YN1263201	Bearing			Honda GC160	
64	1	3025022R	Seeger				

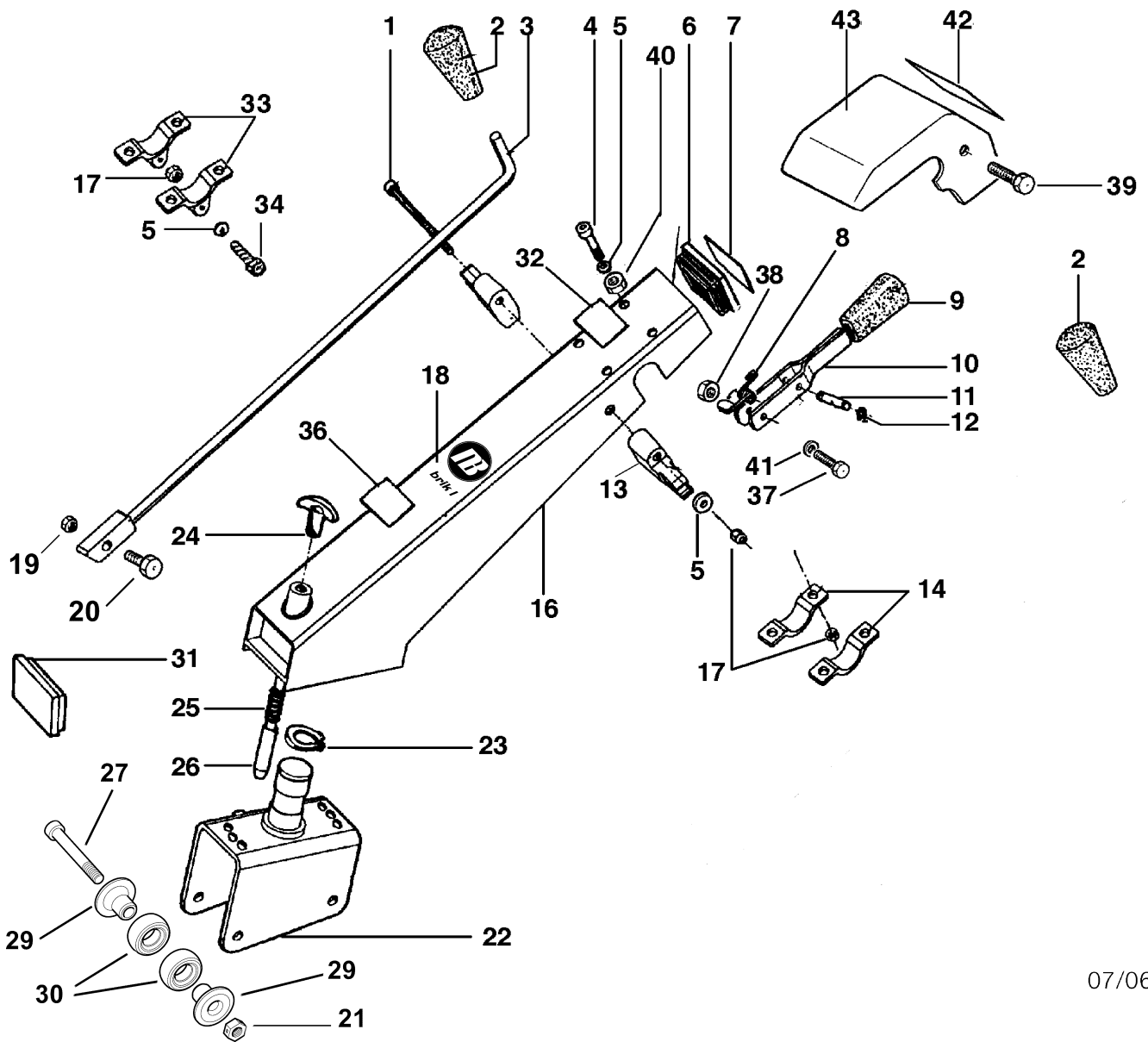
65	1	YN6195100	Screw	Tecnamotor
65	1	N6195000	Screw	GC160; GX160; B&S; Vanguard
72	1	F1250859	Shaft joint	Solo per versioni speciali: cambio veloce, lato attrezzo; Only for special version: speed gear, tool side



Ref.Nu	Qty	Part number	Description	Validity from	Validity till	Notes	Bulletin
1	1	F1200027	Clutch 3 disk			GC160; BH40; Geotech 50	
1	1	F1200028	Clutch 3 disk			Motori europei; European engines; Yanmar L48	
1	1	F1200029	Clutch 3 disk			GX160; B&S; Robyn EX17	
1	1	F1200030	Clutch 3 disk			Robyn EY20 tipo Q	
1	1	F1200031	Clutch 3 disk			A220/230; 15LD225/315; LGA226	
1	1	F1200033	Clutch			G200S	
2	1	F1210002	Spacer			A220/230; 15LD225/315; LGA226	
3	1	K8236004	Stud			A220/230; 15LD225/315; LGA226	
3	1	N3815300	Stud			Motori senza distanziale; Engines without spacer	
4	1	F1210001	Spacer			A220/230; 15LD225/315; LGA226	
5	1	P1200020	Spacer unit			A220/230; 15LD225/315; LGA226	

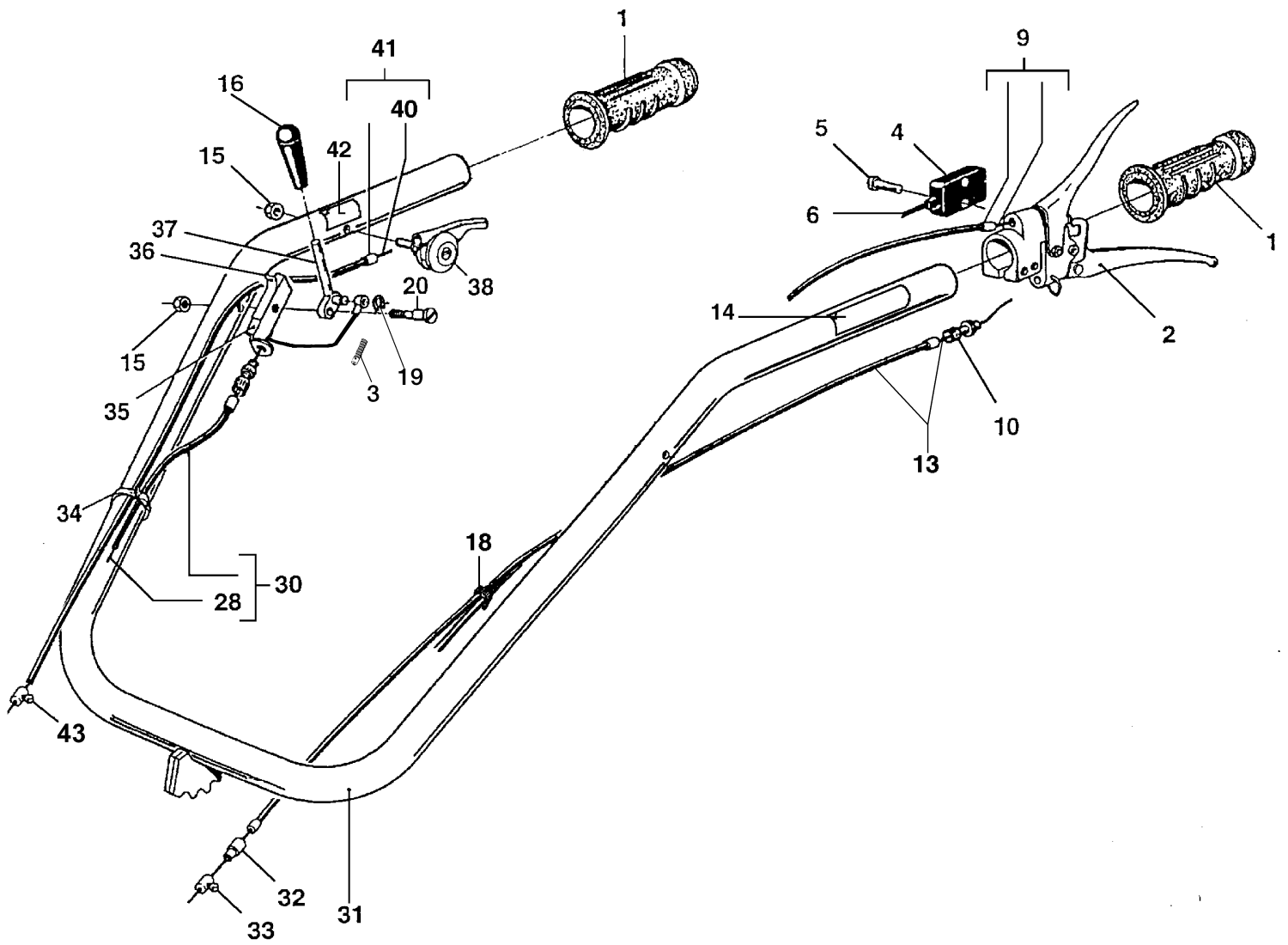


Ref.Nu	Qty	Part number	Description	Validity from	Validity till	Notes	Bulletin
1	1	F1250822	Speed-change gear box				
2	1	F0005621	Hook				
3	1	YN4365400	Washer				
4	1	320000028R	Nut				
5	1	3806067R	Screw				
6	1	N5253930	Cap				
7	1	K3500410	Rod				
8	1	K3500400	Cover				
9	1	K3500330A	Knob				
10	1	K7903016	Spring				
11	1	YN6361500	Screw				
12	1	N5106600	Pin				
13	1	3022012	Pin				
14	1	F1250843	Shutter				
15	1	K3500420	Cover (Wheel)				
16	1	K3500470	Gasket				
17	1	YK3503360	Spring				
18	1	F1250806	Flange				
19	1	K3500460	Gasket				
20	1	F1250842	Shutter				
21	1	F1250807	Support				
22	1	YN6291000	Screw				
23	1	K8536001	Cap				
24	1	F1241618	Retainer (Sheath)				
25	1	K7903009	Spring				
26	1	N2603800	Nipple				
27	1	321000001	Cap				
28	1	L0060900	Towing hitch				
29	1	F0751647	Pin				
30	1	N5148800	Cotter pin				
31	1	N3825650	Stud				
32	1	N3813200	Stud				
33	1	F1052122	Guard			A220	
33	1	68640018	Guard			Honda GX160; Tecnamotor; Kohler; Grigio; Grey	
33	1	F1182112	Guard			LGA225	
33	1	68910042	Guard			15LD315; Grigio; Grey	
33	1	F1202133	Guard			B&S	
34	1	320000028R	Nut				
34	1	006000091R	Nut			15LD315	
35	1	YN4365400	Washer				
35	1	YN4376400	Washer			15LD315	
36	1	3806074R	Screw			B&S; Honda; Tecnamotor; Kohler	
36	1	3806063	Screw			A220; LGA225	
36	1	YN6335900	Screw			15LD315	
37	1	3806067R	Screw				
38	1	K8201001	Tire			3.50-6	
38	1	N4851600	Tire			4.00-8	
39	1	K7181001	Inner tube			3.50-6	
39	1	N4881100	Inner tube			4.00-8	
40	1	YK8514001	Pin				
41	1	69200043	Rim			3.50-6	
41	1	69200044I	Rim			4.00-8	
42	1	K7903004	Spring				
43	1	K7903018	Spring				
44	1	YK1101850	Spring holder				
45	1	YN5265050	Cap				
46	1	N5852100A	Clamp				
47	1	R0000127	Set shutter				
48	1	P0001564D	Unit (Gear)				

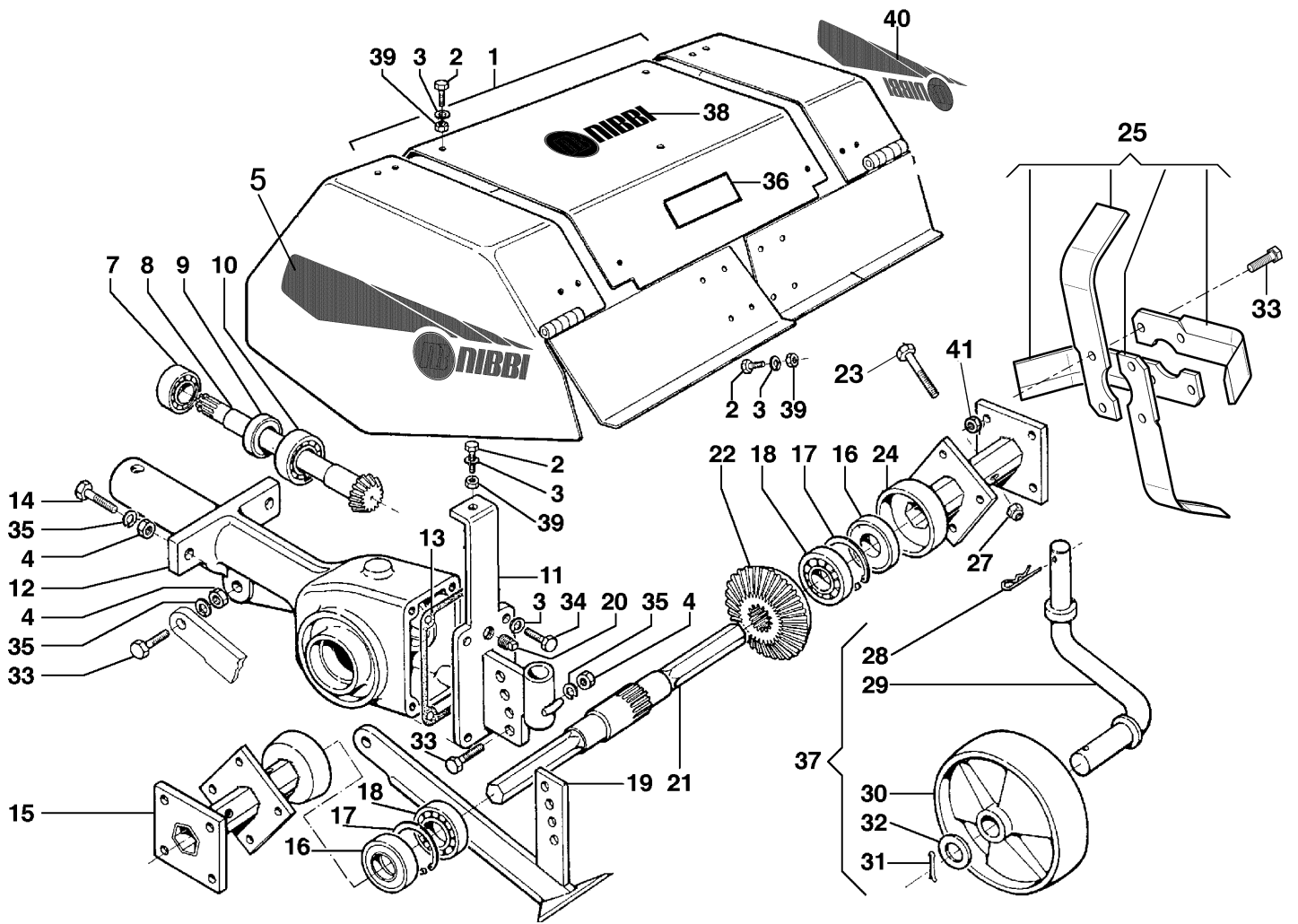


07/06

Ref.Nu	Qty	Part number	Description	Validity from	Validity till	Notes	Bulletin
1	1	3806067R	Screw				
2	1	YN3753600	Knob				
3	1	F1251626	Rod				
4	1	N6289250	Screw				
5	1	3916008R	Washer				
6	1	N5279550	Cap				
7		-	Not available for this product				
8	1	YF1291634B	Spring				
9	1	YN2840480	Knob				
10	1	YF1291636	Lever				
11	1	-	Not available for this product				
12	1	-	Not available for this product				
13	1	F1255009B	Support				BT12-001-10/09
14	1	YF1151601	Clamp				
16	1	68240049A	Handlebar rod (Red)			Rosso; Red	
17	1	3914010R	Nut				
18	1	68310022	Mark			Su richiesta; Upon request	
19	1	3914006R	Nut				
20	1	3801024	Screw				
21	1	YN1463650	Nut				
22	1	68310014	Column support (Set)			Rosso; Red	
23	1	N0124100	Seeger				
24	1	YN3753000	Knob				
25	1	YK3503360	Spring				
26	1	YF1251637	Shutter				
27	1	YN6357200	Screw				
29	1	K3501080	plate				
30	1	YK0300910	Shock absorber				
31		-	Not available for this product				
32		-	Not available for this product				
33	1	F1251650	Clamp				
34	1	N6289250	Screw				
36		-	Not available for this product				
37	1	YN6361500	Screw				
38	1	3914014R	Nut				
39	1	YN6243651	Screw				
40	1	3914010R	Nut				
41	1	3916010R	Washer				
42	1	F1241627	Mark			Su richiesta; Upon request	
43	1	68240022	Cover				

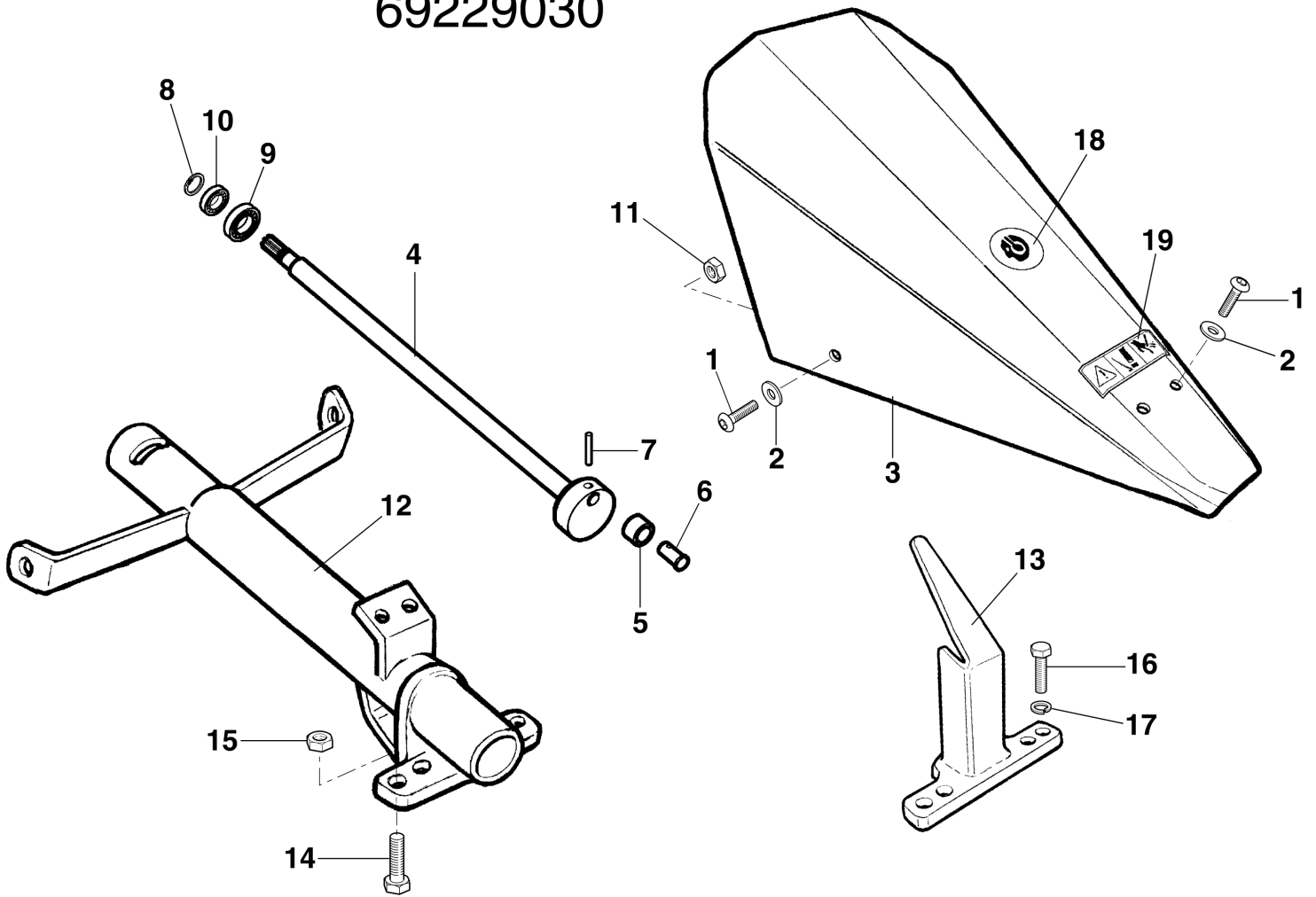


Ref.Nu	Qty	Part number	Description	Validity from	Validity till	Notes	Bulletin
1	1	YN2847300	Knob				
2	1	N2806110	Handle				
3	1	YF1370387	Guard				
4	1	N2542360	Switch				
5	1	N6182150	Screw				
6	1	F1182601	Cable				
9	1	N5476050	Transmission (Stop)			Micro 51; 15LD315	
10	1	YN5801000	Adjuster assy				
13	1	N54857508	Transmission				BT12-003-11/10
14	1	YN5380870	Mark (Instruction)			Su richiesta; Upon request	
15	1	3914006R	Nut				
16	1	YN3752300	Knob				
18	1	YN1762150	Band				
19	1	3024008	Seeger				
20	1	F1061613	Pin				
28	1	N5649008	Rope				
30	1	N5515845A	Transmission				
31	1	68910082	Handle kit				
32	1	N5852100A	Clamp				
33	1	N5901500	Clamp				
34	1	YN1764000	Band				
35	1	F1091687	Support				
36	1	F1091690	Mark			Su richiesta; Upon request	
37	1	YF1091657	Lever				
38	1	YN2803650	Fuel control				
40	1	N5611200	Rope			15LD315	
40	1	N5614500	Rope				
40	1	YN5462705	Transmission			Micro 51	
41	1	N5464000	Transmission			Tutte le versioni; All the versions; Motore Robyn; Robyn engine	
41	1	YN5462710	Bowden cable			15LD315	
41	1	YN5462705	Transmission			Micro 51	
42	1	YN5380805	Mark (Accelerator)			Su richiesta; Upon request	
43	1	YN5901000	Clamp				



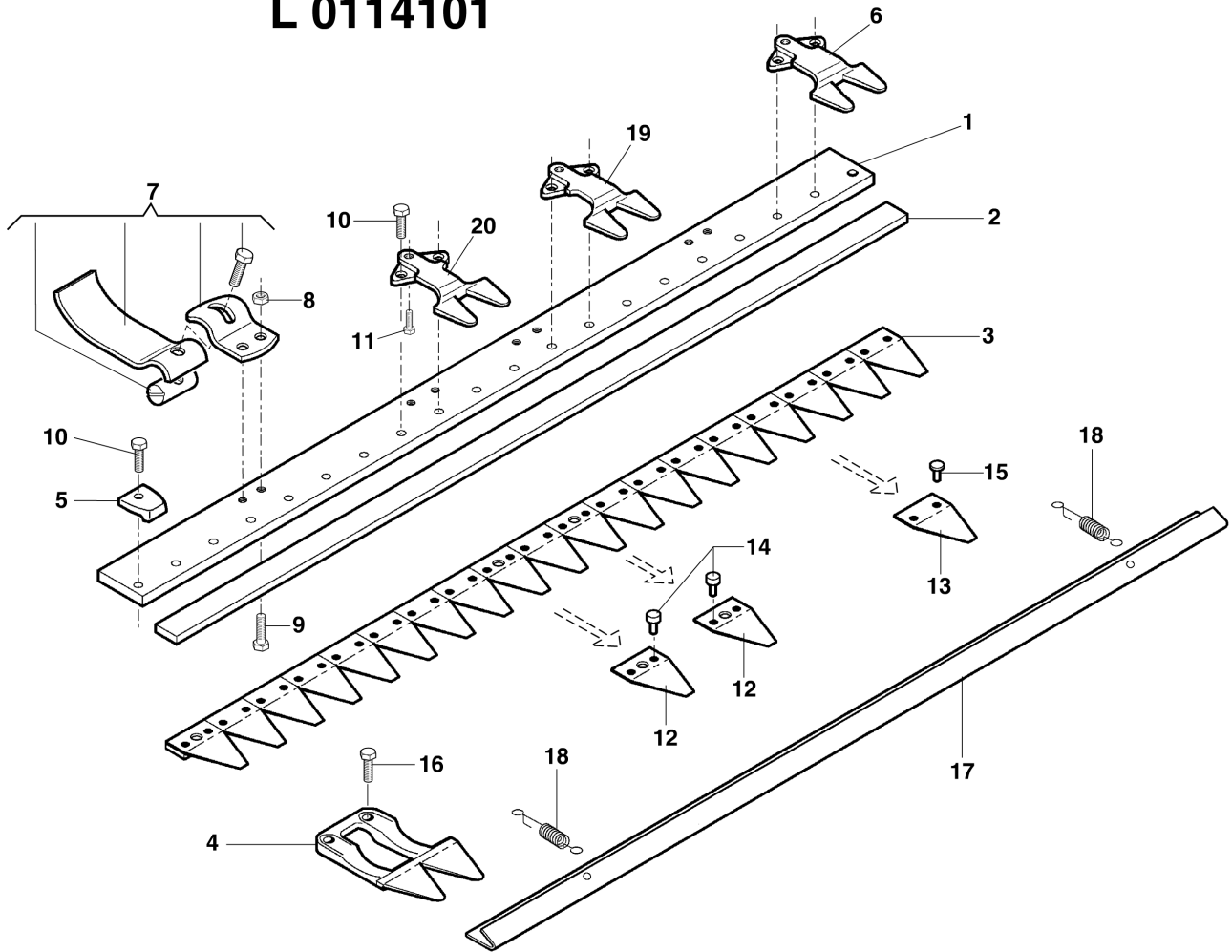
Ref.Nu	Qty	Part number	Description	Validity from	Validity till	Notes	Bulletin
1	1	P0001768	Hood			35+50+60 cm (Per restringimento a 35 cm necessita di L0116300; L0116300 needed to reduce to 35 cm)	
1	1	P0001769	Hood			35+50 cm	
2	1	3806063	Screw				
3	1	N4364350	Washer				
4	1	N1457300	Nut				
5	1	68320080	Mark			Su richiesta; Upon request; SX; LEFT	
7	1	YN1257600	Bearing				
8	1	F0017201	Sprocket				
9	1	YN0207300	Ring				
10	1	YN1263701	Bearing				
11	1	68310060	Support				
12	1	F0017200	Housing				
13	1	K3501840	Gasket				
14	1	3806067R	Screw				
15	1	L0116300	Kit containing pair of spacers to limit the rotor width to			35 cm	
15	1	F0017210	Hub			50+60 cm	
15	1	F0017226	Hub			35+50 cm	
16	1	N0209800	Ring				
17	1	N0134200	Seeger				
18	1	N1269800	Bearing				
19	1	K3501920	Plough				
20	1	K8535002	Cap				
21	1	K3501750	Shaft				
22	1	F0017202	Rim				
23	1	3806076	Screw				
24	1	L0116300	Kit containing pair of spacers to limit the rotor width to			35 cm	
24	1	F0017210	Hub			50+60 cm	
24	1	F0017226	Hub			35+50 cm	
25	1	R0000148	Cutters kit			Per fresa 50 cm, kit composto da: K3501790, DX, 10pz + K3501780, SX, 10pz; For tiller 50 cm, set composed by: K3501790, RIGHT, 10pcs + K3501780, LEFT, 10pcs	
25	1	R0000139	Cutters kit			Per fresa 60 cm, kit composto da: F0017002, DX, 10pz + F0017003, SX, 10pz; For tiller 60 cm, set composed by: F0017002, RIGHT, 10pcs + F0017003, LEFT, 10pcs	
27	1	N1458800	Nut				
28	1	N1054500	Cotter pin				
29	1	K3501830	Support				
30	1	K1102480	Wheel				
31	1	YN1060200	Cotter pin				
32	1	3916020	Washer				
33	1	3806067R	Screw				
34	1	N6249300	Screw				
35	1	3819013R	Grower				
36	1	F0015577	Mark (Danger)			Su richiesta; Upon request	
37	1	Z0020368	Support wheel				
38	1	68610007	Mark			Su richiesta; Upon request	
39	1	320000028R	Nut				
40	1	68320079	Mark			Su richiesta; Upon request; DX; RIGHT	
41	1	YN1457570	Nut				

69229030



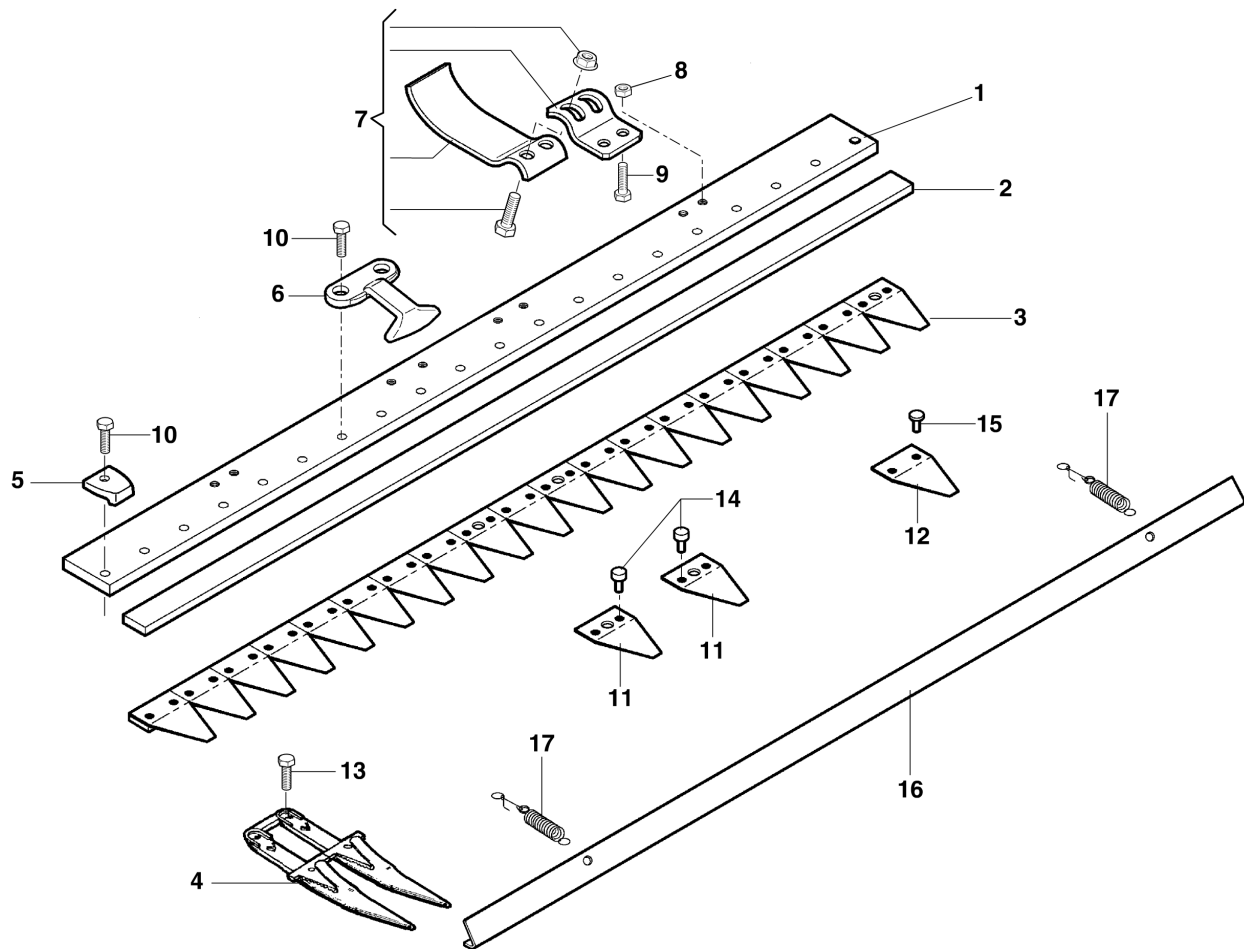
Ref.Nu	Qty	Part number	Description	Validity from	Validity till	Notes	Bulletin
1	4	N6259750	Screw				
2	4	CV020053	Washer				
3	1	CV013714	Hood				
4	1	CV014095	Shaft				
5	1	F1053337	Roller				
6	1	F1053336	Pin				
7	1	CV023660	Pin				
8	1	YN0112700	Seeger				
9	1	300081031	Bearing				
10	1	YN1258020	Bearing				
11	4	3914010R	Nut				
12	1	CV013716	Support				
13	1	CV014080	Clutch driver				
14	4	N6333300	Screw				
15	4	CV020484	Nut				
16	2	CV020176	Screw				
17	2	CV024132	Washer				
18	1	N5383405	Mark (Protection)			Su richiesta; Upon request	
19	1	N5381650	Mark (Danger)			Su richiesta; Upon request	

L 0114101



Ref.Nu	Qty	Part number	Description	Validity from	Validity till	Notes	Bulletin
1	1	CV014096	Bar			102 cm	
2	1	F0712027	Slide				
3	1	F1073349	Blade			100 cm	
4	10	F1113114	Tooth (Double)				
5	4	F0582687	Plate				
6	4	F1113112	Press blade (Long)				
7	2	R1503545	Sole				
8	4	3914010R	Nut				
9	4	3806067R	Screw				
10	16	N6333300	Screw				
11	6	N6245800	Screw				
12	3	F1073273	Blade				
13	16	F1073216R	Blade				
14	2	F1073261	Rivet				
15	36	YN0886600	Rivet				
16	4	YN6325400	Screw				
17	1	CV013593	Guard				
18	2	F0742013	Hook				
19	1	F1253048	Press blade			SX; LEFT	
20	1	F1253047	Press blade			DX; RIGHT	

L 0125101



Ref.Nu	Qty	Part number	Description	Validity from	Validity till	Notes	Bulletin
1	1	CV014096	Bar			102 cm	
2	1	F0712027	Slide				
3	1	F1073349	Blade			100 cm	
4	6	F0582688	Tooth (Double)				
5	4	F0582687	Plate				
6	10	F0582685	Press blade (Long)				
7	2	R1503545	Sole				
8	4	3914010R	Nut				
9	4	3806067R	Screw				
10	16	N6333300	Screw				
11	3	F1073273	Blade				
12	16	F1073216R	Blade				
13	4	YN6325400	Screw				
14	2	F1073261	Rivet				
15	36	YN0886600	Rivet				
16	1	CV013593	Guard				
17	2	F0742013	Hook				