

# NIMOS

## Parts Manual DM-Trac 204 Comfort



Parts\_Manual\_DM204C\_EN\_22

Drost Machines BV  
Utrechtsestraatweg 204  
3911 TX RHENEN

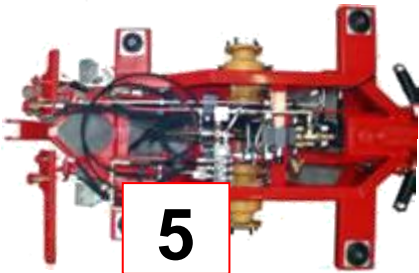
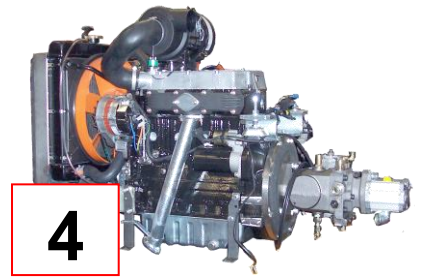
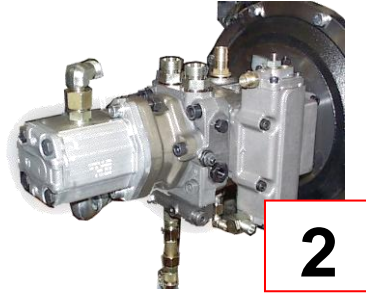
**Ordering parts:**

Tel: 0031 317 650 350  
Fax: 0031 317 650 351  
E-mail: [parts@nimos.nl](mailto:parts@nimos.nl)  
Website: [www.nimos.nl](http://www.nimos.nl)





- 1 Cabine..... 3**
- 1 Cabine..... 4**
  - 1.1 Interior ..... 4
    - 1.1.1 Airco ..... 12
    - 1.1.1 Steering Column ..... 14
  - 1.1.2 Command Arm..... 16
  - 1.2 Exterior ..... 18
- 2 Hydraulics..... 22**
  - 2.1 Pumps ..... 22
  - 2.2 Functions Implement and Front-lift..... 24
  - 2.3 PTO Implement..... 26
  - 2.4 Steering System ..... 28
  - 2.5 Driving System..... 30
- 3 Reservoirs and Cooling..... 32**
  - 3.1 Hydraulic-oil tank ..... 32
  - 3.2 Oil-Cooler ..... 34
  - 3.3 Fuel tank and Battery..... 36
- 4 Engine..... 38**
- 5 Chassis ..... 44**
  - 5.1 Chassis Front and Front-lift..... 44
  - 5.2 Chassis Rear ..... 48
  - 5.3 A-Frame..... 52
- 6 Fast Moving Parts ..... 54**
- 7 Index by Part-Code ..... 55**
- 8 Index by Part-Name..... 59**





**1 Cabine**

**1.1 Interior**



14-2703



14-9952

40-0924



14-1815

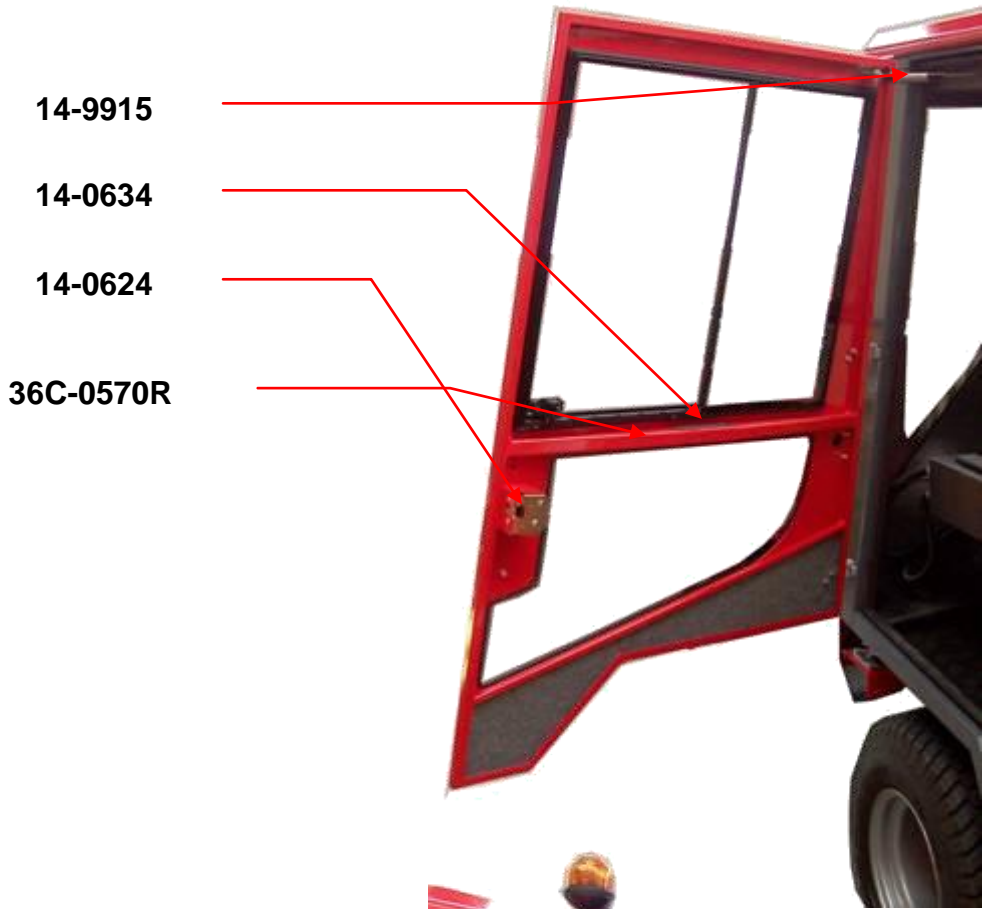
14-3009

14-3025

14-2742



<b>Partcode</b>	<b>Disription</b>
14-1815	Door rubber
14-2703	Wiper motor
14-2742	Screen-washer pump + tank
14-3009	Seat, mech. suspended ,
14-3025	Arm rest seat (L and R)
14-9952	Driving pedal DM-Trac (double)
40-0924	Anti-slide rubber
14-3013	Air suspended seat Maximo XL
14-3014	Air suspended seat Maximo XXL

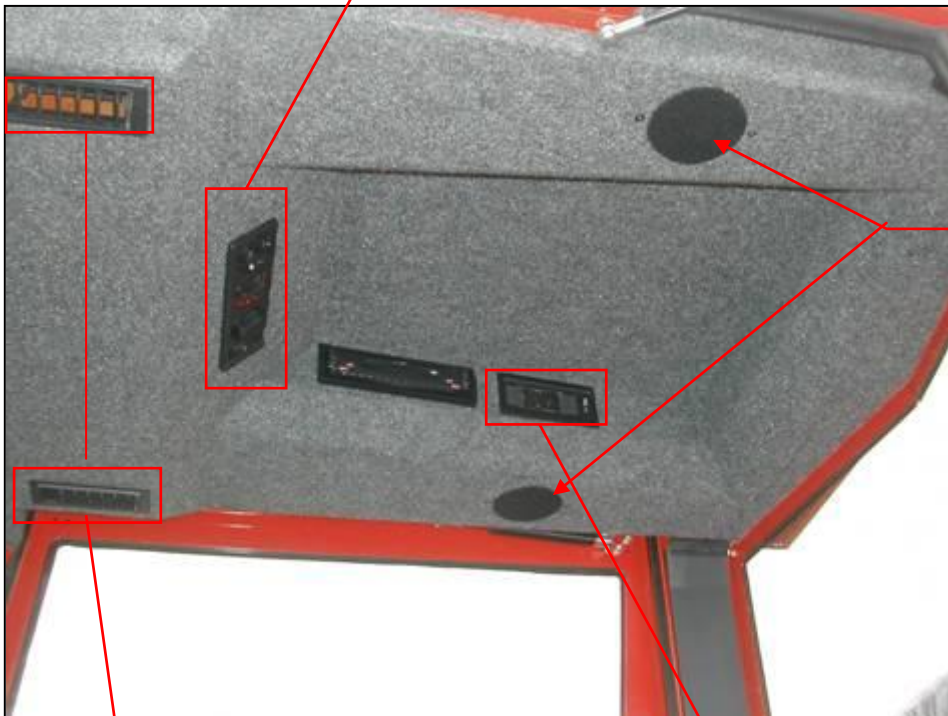




<b>Part code</b>	<b>Description</b>
14-0624	Door lock inside left
14-0627	Door lock inside right
14-0634	Pull handle
36C-5570L	Door L (construction part less components)
36C-5570R	Door R (construction part less components)
14-9915	Gas loaded spring < <b>S/N:XL9DMTRAC70135843</b>
14-9916	Gas loaded spring > <b>S/N:XL9DMTRAC70135844</b>
14S-3008	Kit for upgrading



14-0968



16-9907



14-2416



14-9937





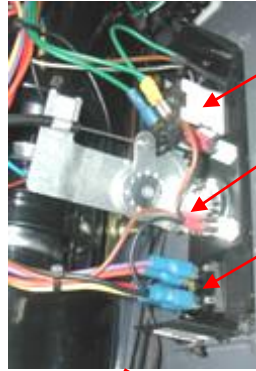
---

<b>Part code</b>	<b>Description</b>
14-0968	Control panel air conditioning/heater
14-2416	Ventilation breather
14-9937	Cabin lighting
16-9907	Speakers 40W 2-way



16-1524

16-1530



14-1224

14-0968

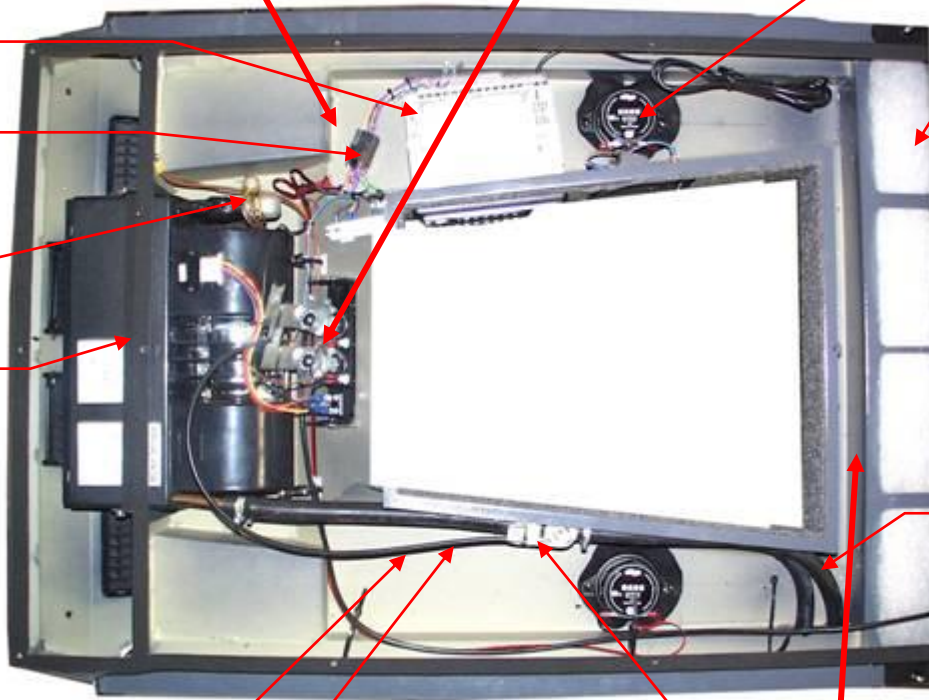
14-0931

16-9908

16-9902

14-0965

14-1202



16-9907

20-0638

20-3036

18-0302

18-0301

14-1215



14-1211

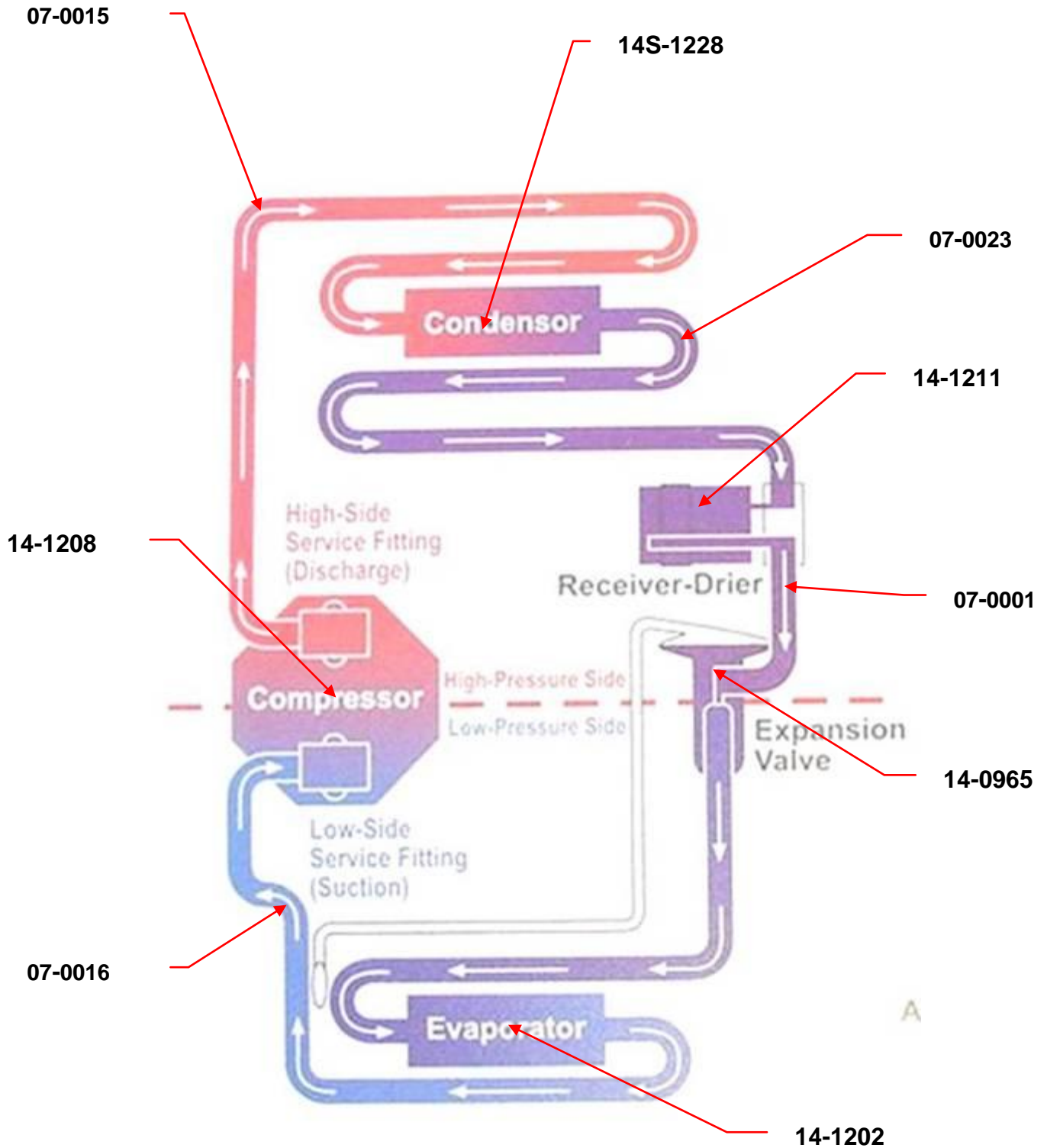
14-1237



Part code	Description
14-1202	Heater DM-Trac 204
14-1215	Heater valve
16-9902	ISO connector (Radio)
16-9907	Speakers 40W 2-way
16-9908	Radio-CD-player
18-0301	Cable (inside) 1,5mm (heater)
18-0302	Cable (outside) 1,5mm (heater)
20-0638	Air filter cabin 1100 (two peaces are needed for filtration)
20-3036	Water hose 16mm
14-0965	Expansion valve
14-1224	Temperature switch air-co
14-0968	Switch panel
14-0931	Switch for blower 3 pos



Air conditioning



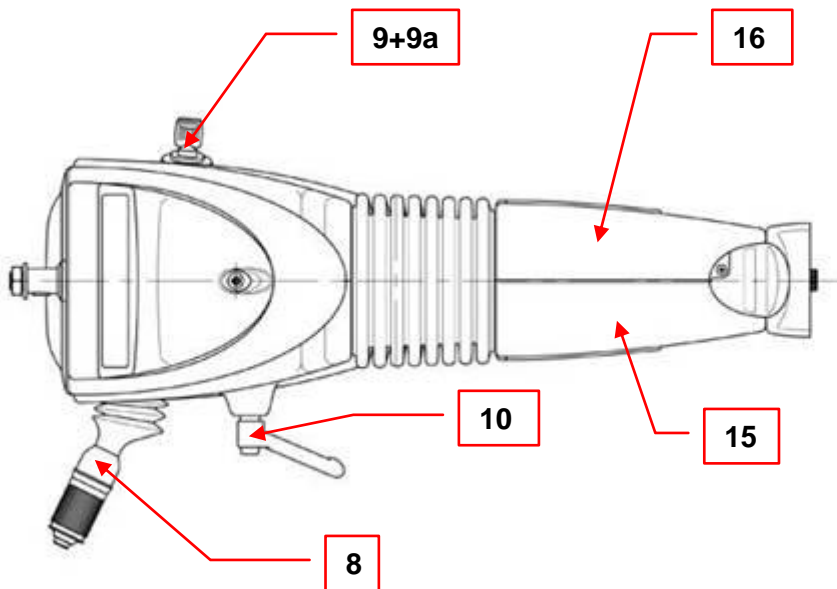
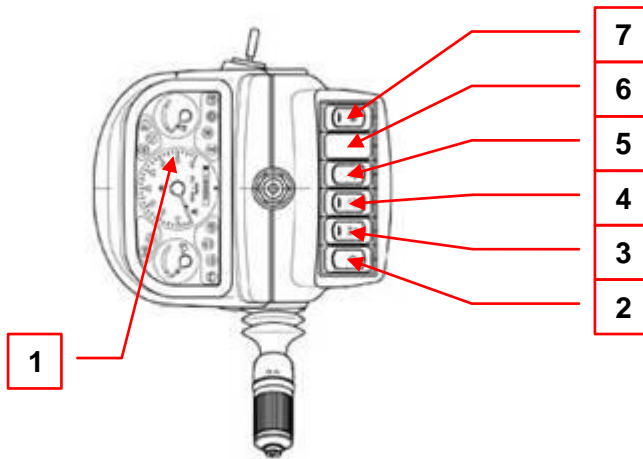
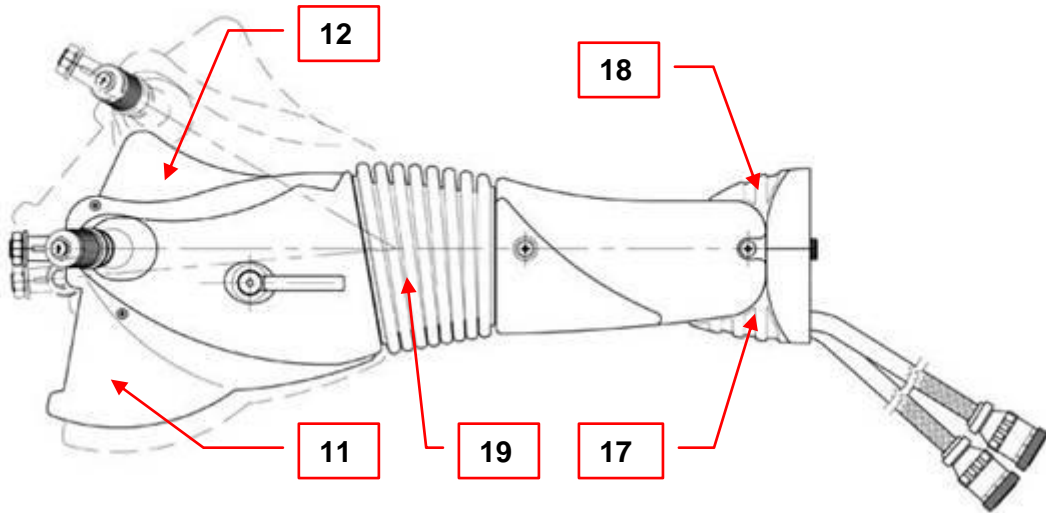


-

Part code	Description
07-0001	Air-co hose A1
07-0015	Air-co hose A15
07-0016	Air-co hose A16
07-0023	Air-co hose A23
14S-1228	Condenser
14-1208	Air-co compressor
14-1211	Receiver-drier
20-1531	V-Belt Air-co Compressor
14-1202	Heater / air-conditioning Unit



1.1.1 Steering Column





No	Partcode	Disription
	16-2803	Steering column (Complete)
1	16-2804	Meter unit
2a	16-2805	Switch Road light
2b	16-2806	Knob for switch
2c	16-2807	Bracket for switch
3a	16-2808	Switch Rotating light
3b	16-2809	Knob for switch
3c	16-2810	Bracket for switch
4a	16-2811	Switch working light
4b	16-2812	Knob for switch
4c	16-2810	Bracket for switch
5a	16-2814	Switch hazard light
5b	16-2815	Knob for switch
5c	16-2810	Bracket for switch
6a	16-2817	Blind
6b	16-2810	Bracket for switch
7a	16-2819	Switch Parking brake
7b	16-2820	Knob for switch
7c	16-2807	Bracket for switch
8	16-2822	Combi switch turning light, washer, horn
9	16-2802	Ignition switch
9a	16-2801	Ignition key
10	16-2823	Steering-column lock
11	16-2824	Plastic cover top rear
12	16-2825	Plastic cover top front
13	16-2826	Plastic cover left
14	16-2827	Plastic cover right
15	16-2828	Plastic cover left bottum
16	16-2829	Plastic cover right bottum
17	16-2830	Plastic cover bottum
18	16-2831	Plastic cover bottom
19	16-2832	Rubber flexible
20	16-2833	Wiring for column
	16-2838	Cable connector for switches (16-2838A CONNECTOR FEMALE 1,5MM)
21	16-2839	37 pin connector (chassis mount)
22	16-2840	37 pin connector (cable mount)



1.1.2 Command Arm

16-1534  
14-9901  
14-9902  
14-9903  
14-9904

16-0669

16-0942

16-0659

16-0960

16-0661

16-0957



16-0643

16-0672

18-0606

16-0659

16-06

16-1530

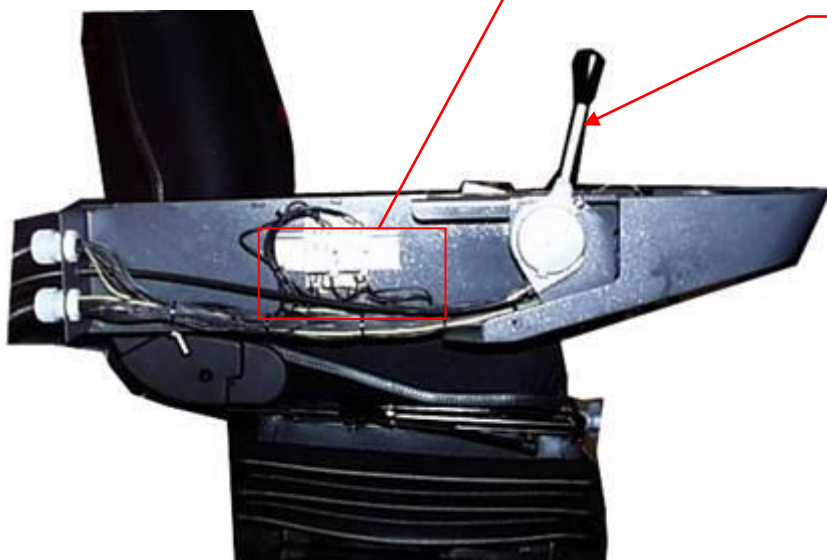
16-1524

16-1550

16-9924



18-0606



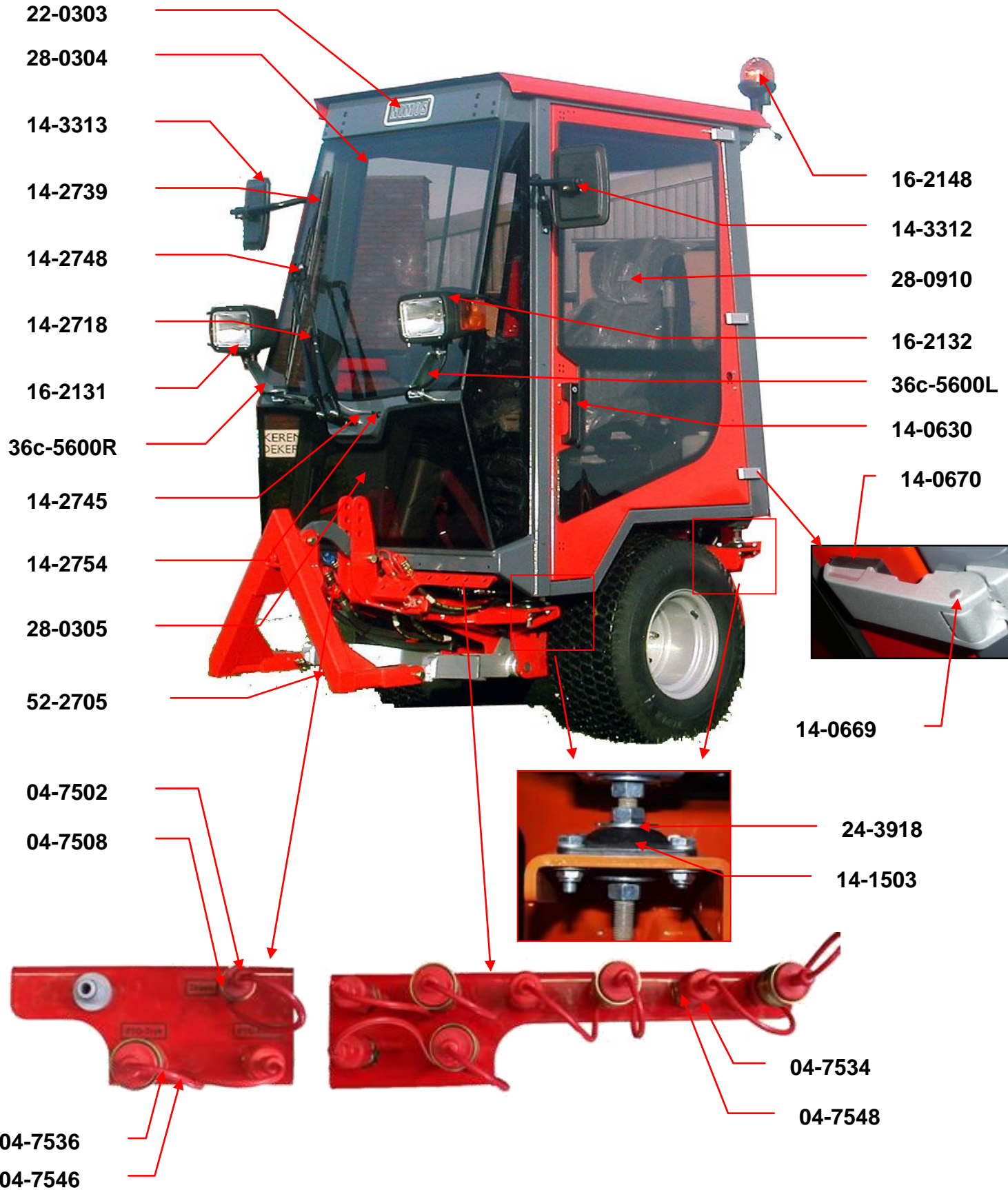




Partcode	Disription
16-0643	Joystick 4 position
16-0659	Switch, 3-pos.
16-0657	Switch, 2-pos. With lock
16-0669	Switch, 3-pos. Spring Return (2)
16-0672	Cover, Switch
16-0942	Symbol, Quick-Couplings
16-0957	Symbol, PTO Rear
16-0960	Symbol, PTO
16-1524	Relay 12V 4-pole (swith over)
16-1530	Holder relay and clip
16-2712	Cover, 30 mm
16-9924	Rail, relay
18-0606	Accelerator control handle



1.2 Exterior





Partcode	Disription
04-7502	Quick coupling male 1/4"
04-7508	Dust plug 1/4
04-7534	Quick coupling male 1/2"
04-7536	Quick coupling female 1/2"
04-7546	Dust plug 1/2
04-7548	Dust cap 1/2
14-0630	Door handle with keylock L
14-0669	Door hinge
14-0670	Filler for Door Hinge
14-1503	Vibration damper (Cabin)
14-2718	Front-screen wiper
14-2739	Wiper blade
14-2745	Screen-washer hose
14-2748	Screen washer nozzle
14-2754	Screen-washer hose conector
14-3312	Outside mirror with arm L
14-3313	Outside mirror with arm R
14-3314	Mirror only left or right
16-2131	Head light R
16-2132	Head light L
16-2148	Rotation light (flexible) 12V
22-0303	Sticker Nimos (21x9cm)
24-3918	Sheet-metal ring M16
28-0304	Front-screen (top)
28-0305	Front-screen (below)
28-0910	Door window C-1100+1300 L
36C-5600L	Bracket for light L
36C-5600R	Bracket for light L
52-2705	A-frame 204 Comfort



28-1242

28-0949

14-0616

28-9915

36C-5570R

28-0604

28-9915

36C-5570L



36C-5617

28-0605

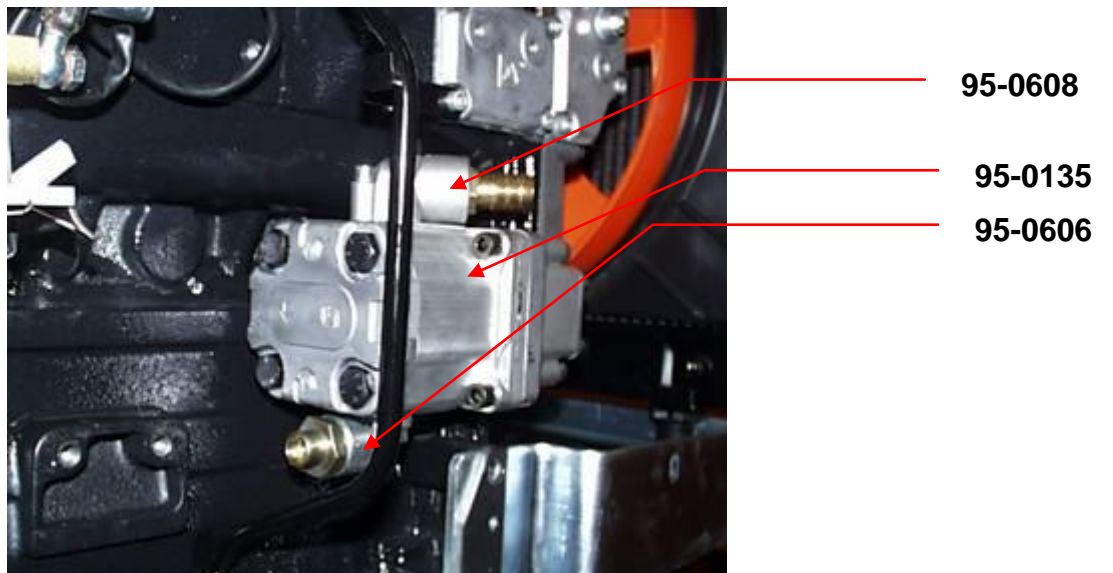
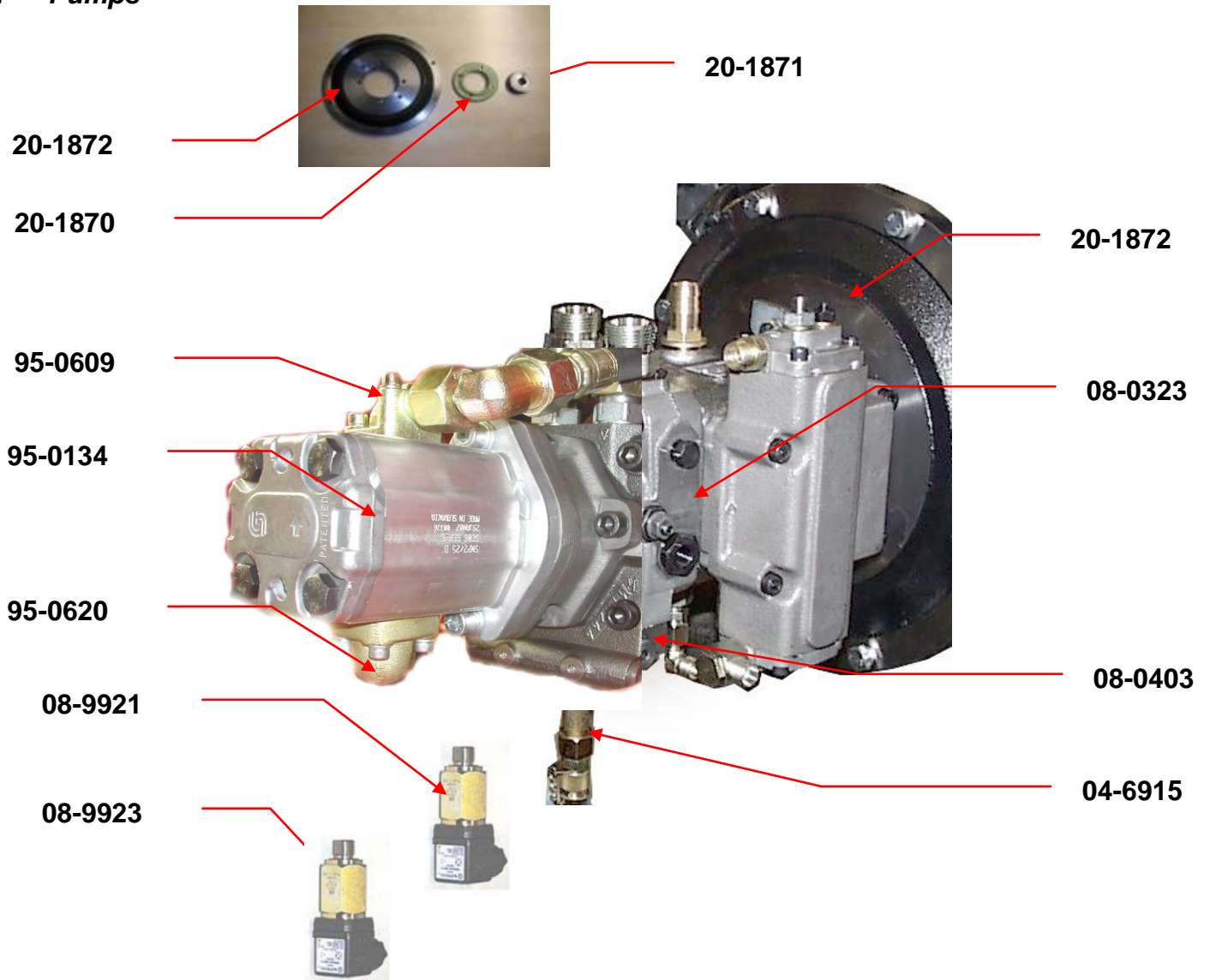


<b>Partcode</b>	<b>Disription</b>
14-0615	Door handle without keylock R
16-9905	Aerial
28-0604	Rear window C-1100+1300 L
28-0605	Rear window C-1100+1300 R
28-0949	Door mirror (low) C-1100+1300 R
28-1242	Sliding window C-1100+1300 R
28-9915	Side screen C-1100+1300 L
28-9916	Side screen C-1100+1300 R
36C-5570L	Door L Cabine 1100
36C-5570R	Door R Cabine 1100
36C-5617	Bracket for rotation light



## 2 Hydraulics

### 2.1 Pumps

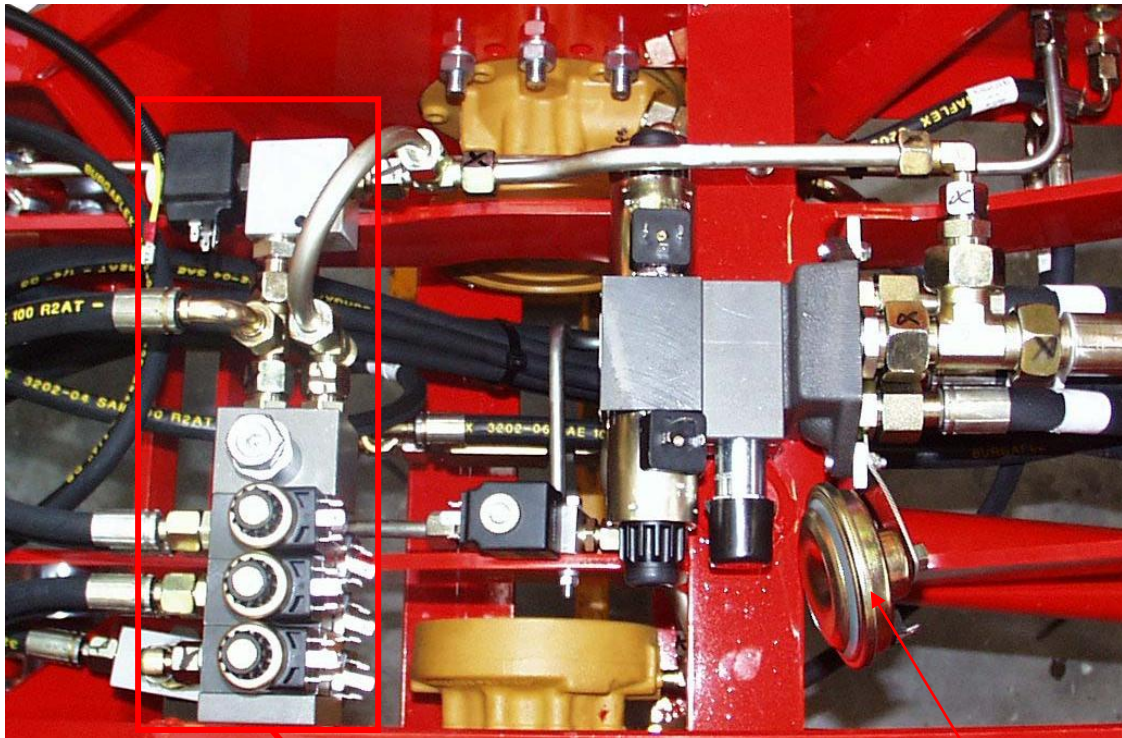




<b>Partcode</b>	<b>Disription</b>
04-6915	Measurement point coupler
08-9921	Presure switch IP 30-350 bar Brake light
08-9923	Presure switch IP 0-2 bar Backing light tempomat
08-0323	Driving-pump DM-Trac
08-0403	Scavenging valve
20-1870	Coupling Engine side
20-1871	Coupling Pump side
20-1872	Backplate Lombardini Engine
95-0134	Gear pump 25cc (PTO)
95-0135	Gear pump 6cc (steering)
95-0606	Pump flange 30 x 3/8"
95-0608	Pump flange 30 x 1/2"
95-0609	Pump flange 35 x 1/2"
95-0620	Pump flange 40 x 3/4"



2.2 Functions Implement and Front-lift



14-9939

08-1219

08-2298

08-1217

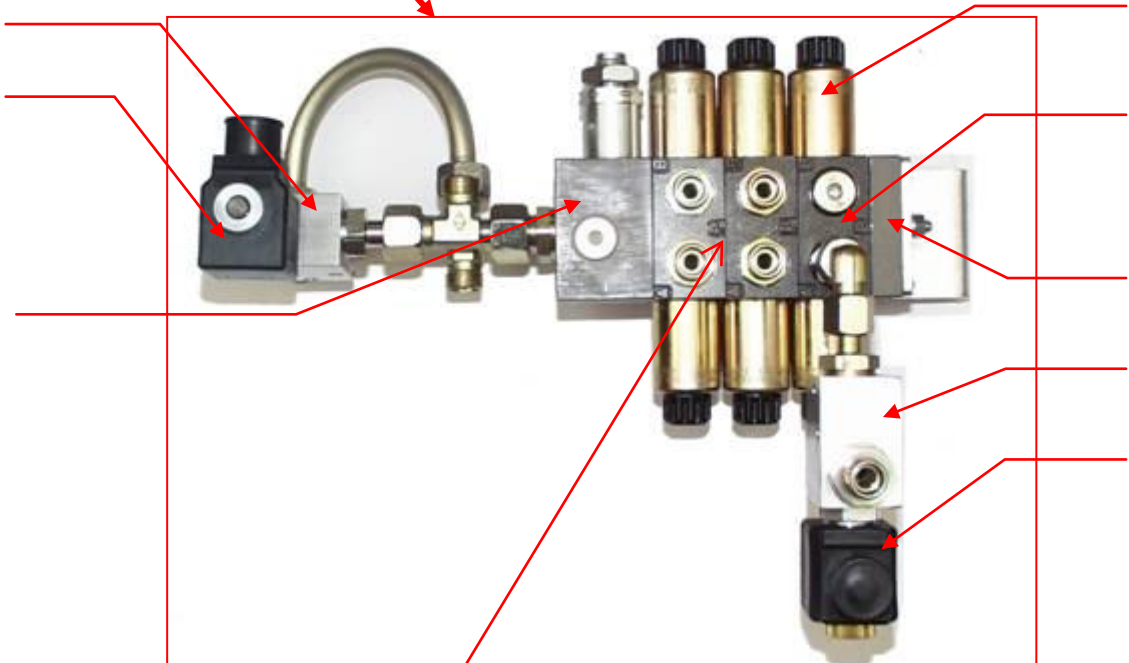
08-2300

08-2302

08-2303

08-1218

08-1217



o-ring mellem 08-2300 = 08-9938



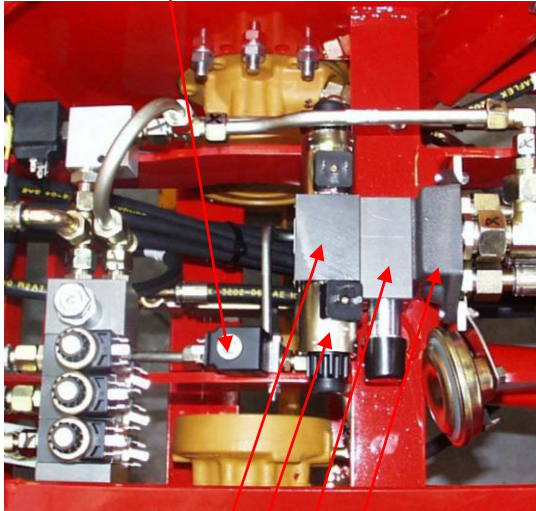


<b>Partcode</b>	<b>Disription</b>
08-1217	Coil 2/2 valve 12VDC
08-1218	Valve 2/2 NC 12VDC (frontlift)
08-1219	Valve 2/2 NO 12VDC
08-2298	Coil Valve NG3 12VDC
08-2300	Valve 4/3 12VDC NG3
08-2302	Mountingplate incl. reliefvalve
08-2303	Endplate Valve NG3
14-9939	Horn



2.3 PTO Implement

08-1244



08-2437

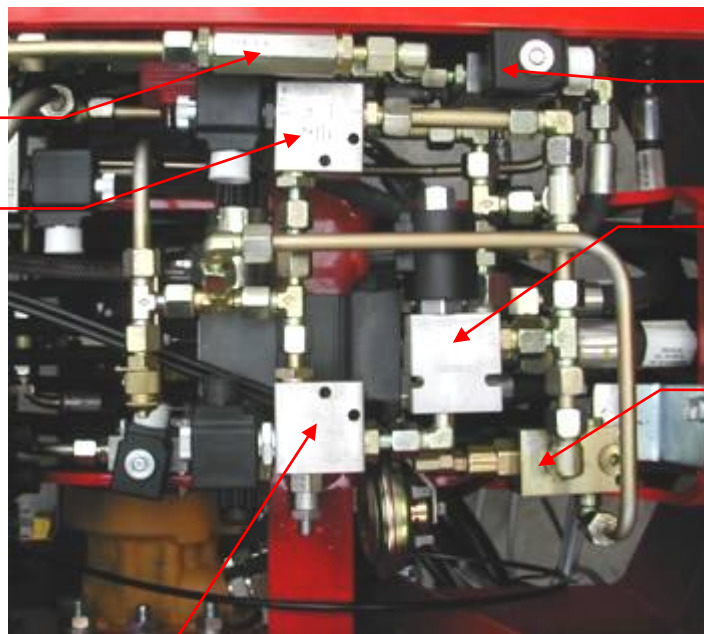
08-2454

08-1254

08-2704

08-2112

08-1218



08-1244

08-1259

08-1248

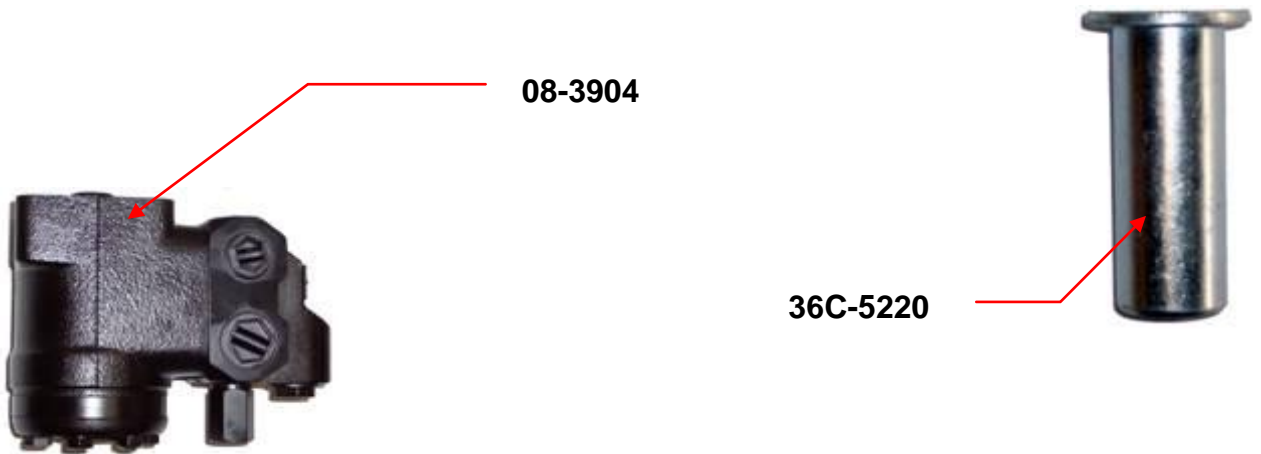
08-1219



<b>Partcode</b>	<b>Disription</b>
08-1254	Relief valve
08-2437	Valve 4/3 12VDC NG6 (PTO)
08-2454	Coil Valve NG6 12VDC
08-2704	Mountingplate valve NG6
08-1219	Valve 2/2 12V NC
08-1248	Pressure valve
08-2112	Ckeckvalve
08-1218	Valve 2/2 12V NO
08-1244	Valve 3/2 12 V
08-1259	Pressure reducing valve (ground pressure)



2.4 Steering System

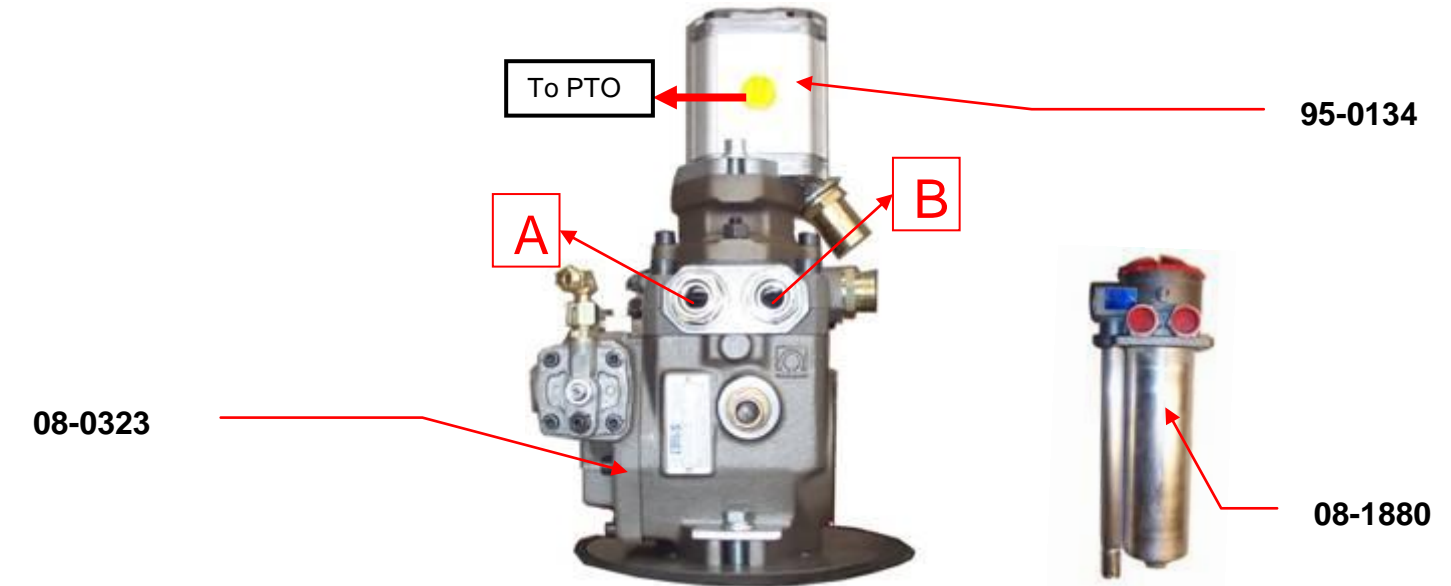
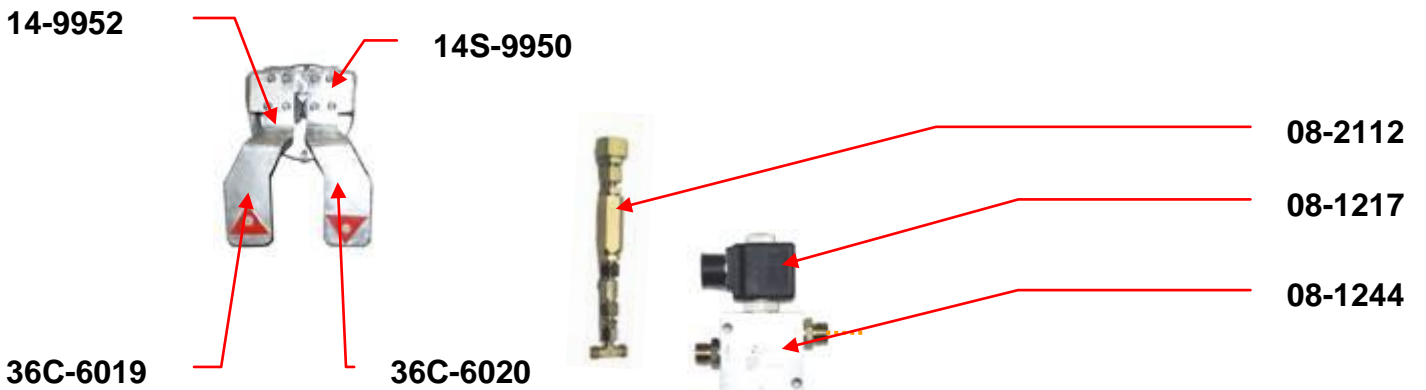
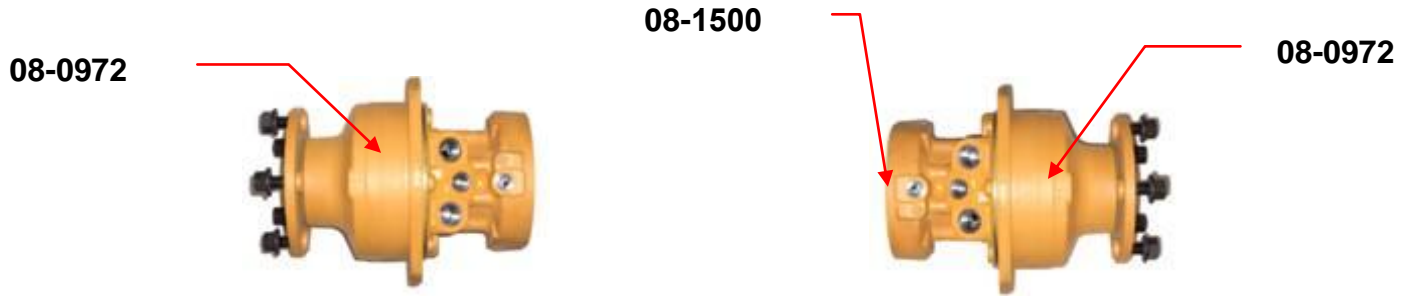




08-3904	Orbitrol OSPC 80LS+Prio
11-0745	Steering cylinder DM-Trac 204
11-1244	Sealkit cylinder 25/50
11-1525	Ball joint end 20mm
36C-5220	Pin ø30mm pitching



2.5 Driving System



08-0323



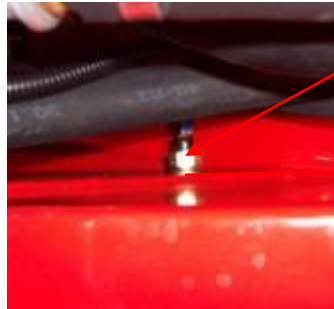


<b>Partcode</b>	<b>Disription</b>
08-0323	Driving-pump DM-Trac
08-0972	Weel-motor front DM-Trac 204
08-0974	Weel-motor rear DM-Trac 204
08-1217	Coil 2/2 valve 12VDC
08-1244	Valve 3/2 12VDC (brake sytem)
08-1880	Hydraulic filter (suction/return)
08-2112	Check valve
14-9952	Driving pedal DM-Trac (dubble)
95-0134	Gear pump 25cc (PTO)
14S-9950	Bracket for driving pedal left / right
36C-6019	Driving pedal left side
36C-6020	Driving pedal right side
08-1500	Seal kit for wheel-motor with brake



### 3 Reservoirs and Cooling

#### 3.1 Hydraulic-oil tank



08-3621



08-4812

08-4503  
08-4506

08-1885

08-1880

NIMOS  
DM-Trac 204  
Comfort

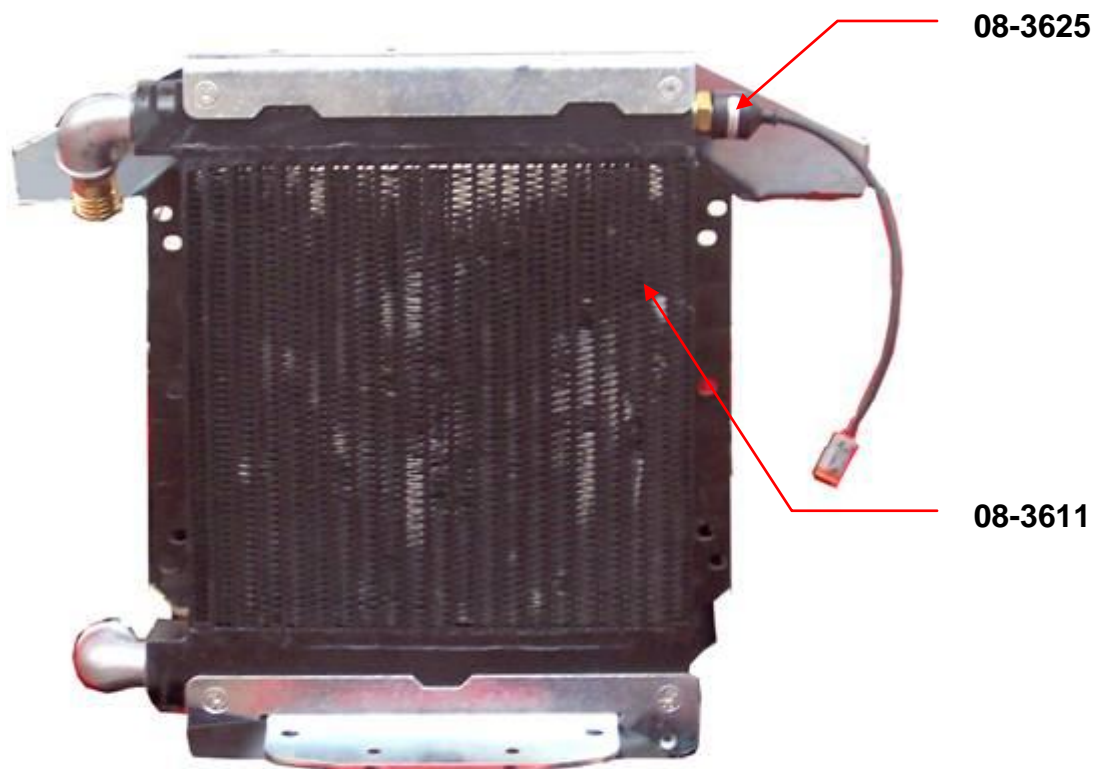




<b>Partcode</b>	<b>Disription</b>
08-1880	Hydraulic filter (suction/return)
08-1885	Hydraulic filter element
08-3621	Temperature switch oil-tank
08-4503	Gauge glas LG 1 T < XL9DMTRAC70135829
08-4506	Gauge glas LG 2 T > XL9DMTRAC70135829
08-4812	Filler/Breather filter 7 mu



3.2 Oil-Cooler





---

<b>Partcode</b>	<b>Disription</b>
08-3611	Oil-cooler DM-Trac 204
08-3625	Temperature switch oil-cooler
36C-5145	Dirt cover oil cooler



3.3 Fuel tank and Battery



22-0936

36C-5100



16-9944

16-9941  
16-9939

16-9946



<b>Partcode</b>	<b>Disription</b>
08-4806	Breater filler TR2
16-9941	Battery 12V 44 Ah < XL9DMTRAC70135839
16-9944	Battery-terminal clamp -
16-9946	Battery-terminal clamp +
20-9939	Tank transmitter
36C-5100	Battery cover DM-Trac 204
16-9939	Battery 12V 62 Ah > XL9DMTRAC70135839



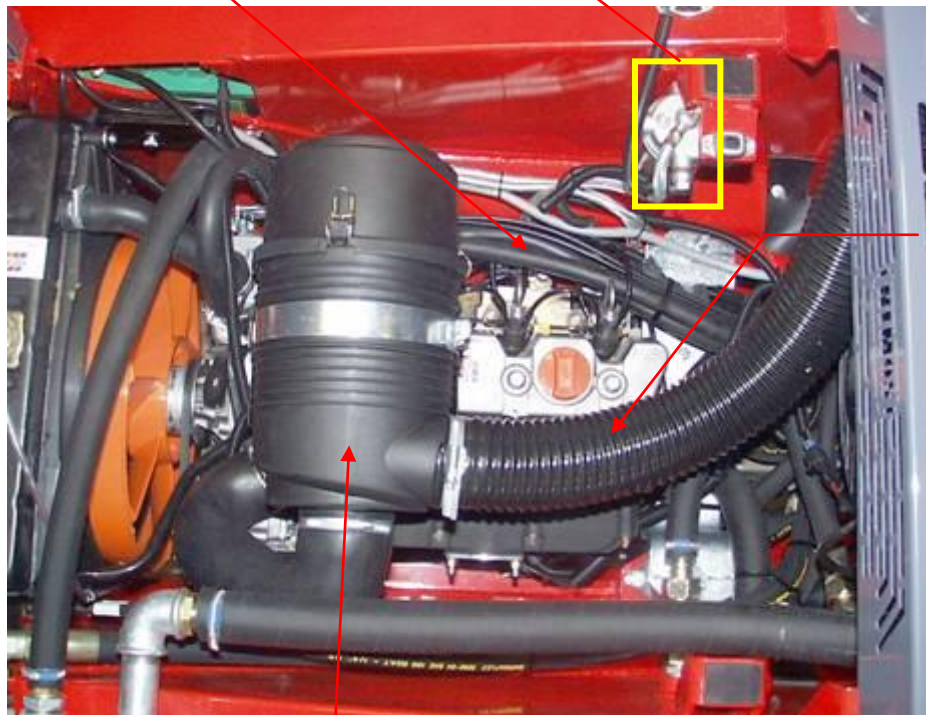
## 4 Engine

20-3006

20-3009



20-3036



20-3080

20-0615

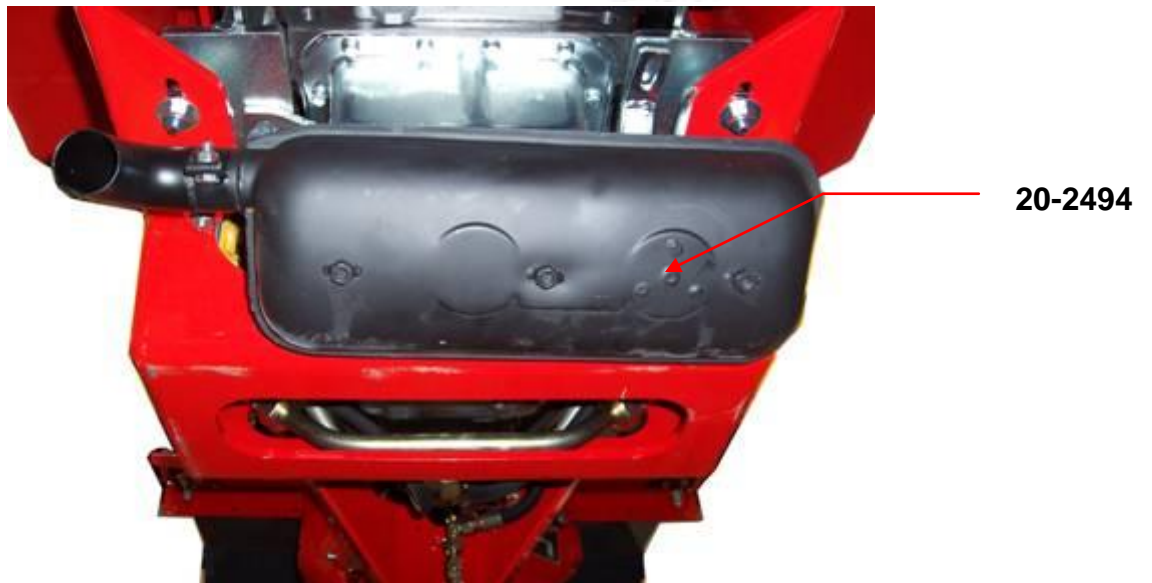
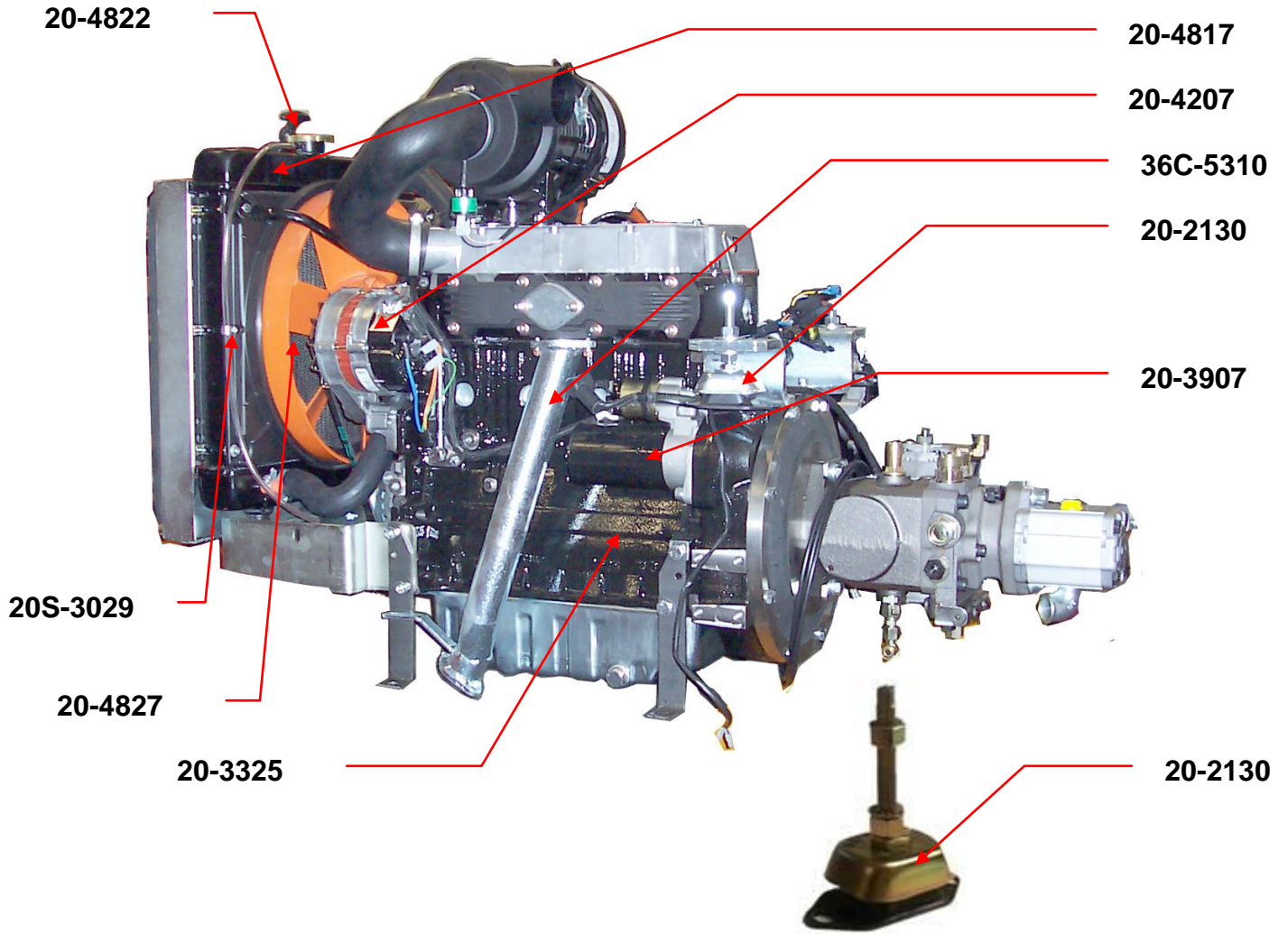
20-0612



20-0318



<b>Partcode</b>	<b>Disription</b>
20-0615	Air filter cartridge
20-3006	Fuel hose RM 6
20-3009	Fuel hose RM 8
20-3036	Water hose 16mm
20-3080	Air hose 76mm
20-0612	Air filter safety cartridge
20-0318	Air filter complete







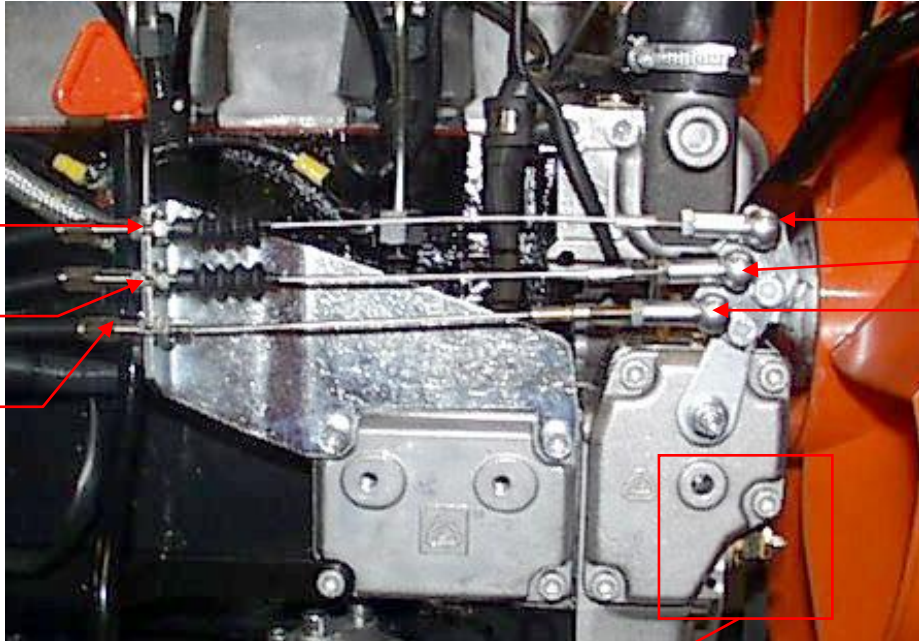
<b>Partcode</b>	<b>Disription</b>
20-2130	Vibration damper (engine)
20-2494	Muffler Lomb. LDW 2204 CHD Plus
20-3325	Engine Lomb. LDW 2204 CHD Plus
20-4207	Generator 65A Lombardini
20-4828	Radiator Lomb.LDW2204CHDPlus
20-4822	Radiator cap
36C-5310	Exhaust pipe DM-Trac 204 (Lomb.)
20-4827	Cooling fan
20S-3029	Cooling fan cover
20-4817	Radiator <S/N:XL9DMTRAC60135760
20-4828	Radiator >S/N:XL9DMTRAC60135760



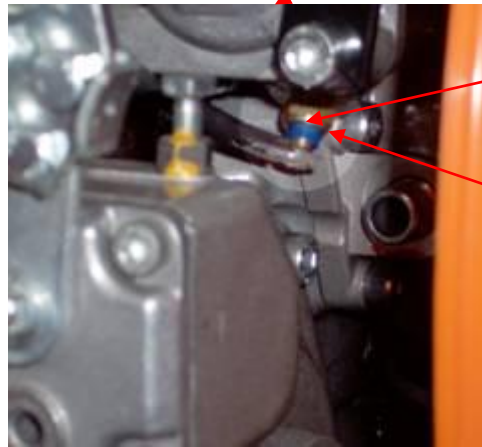
18-0463

18-0463

18-0462



18-1203



20-9938



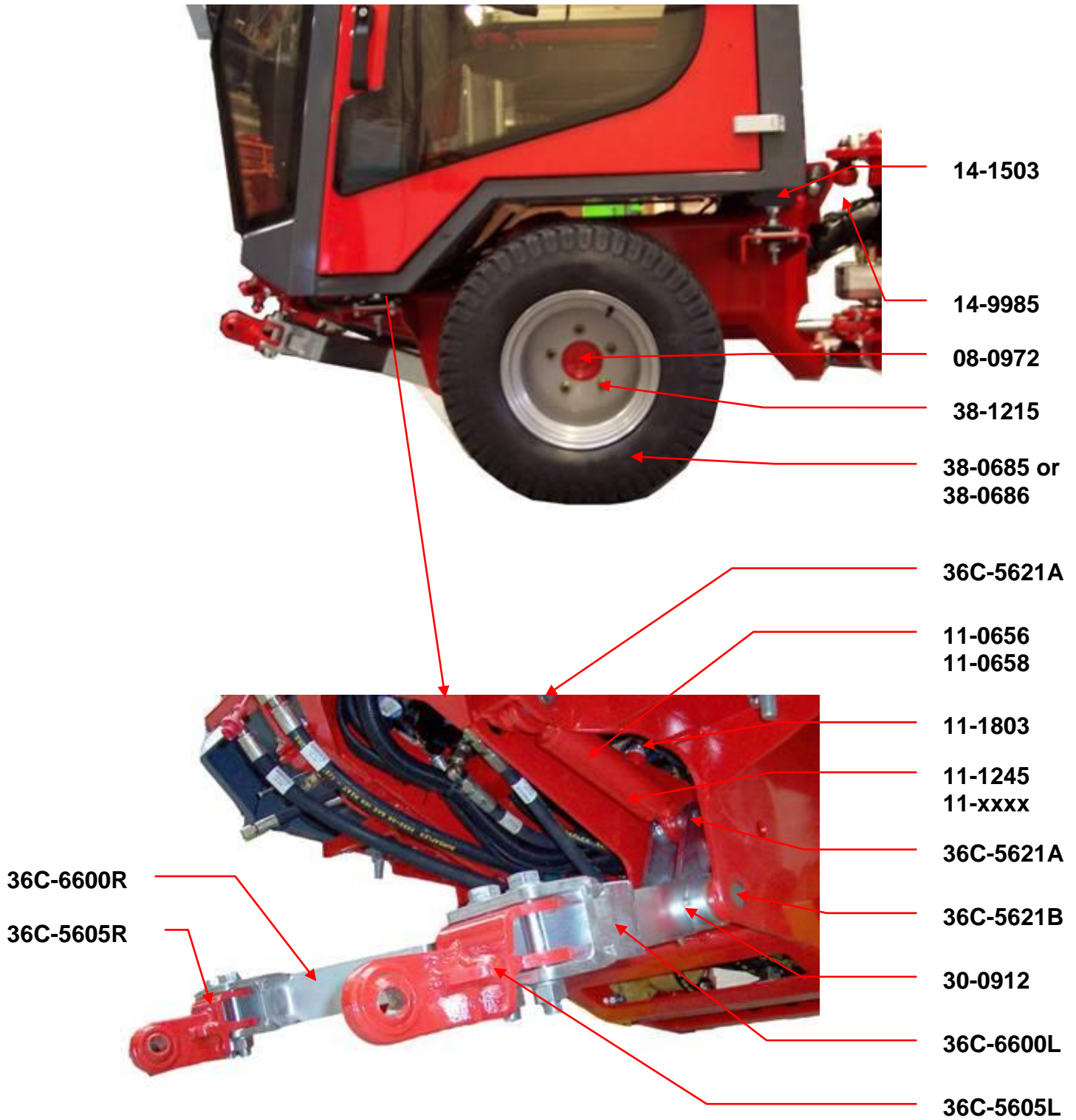


<b>Partcode</b>	<b>Disription</b>
18-0462	Accelerator cable (hand)
18-0463	Accelerator cable (foot)
18-1203	Coupling ball M5
20-9938	Watertemperature sensor



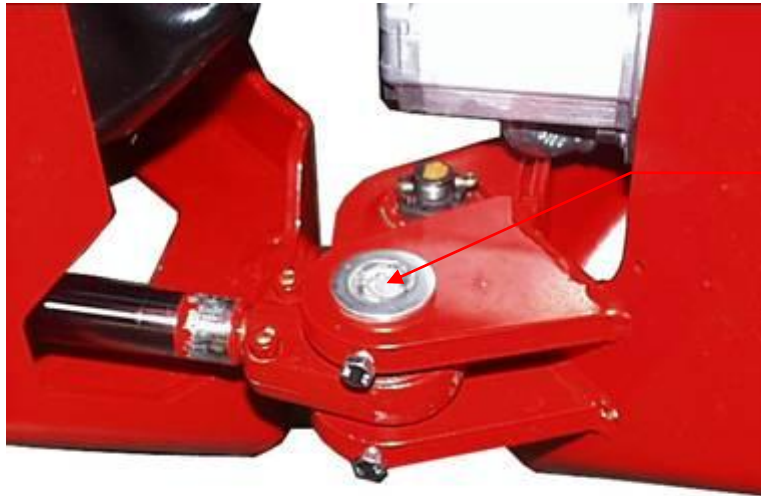
## 5 Chassis

### 5.1 Chassis Front and Front-lift

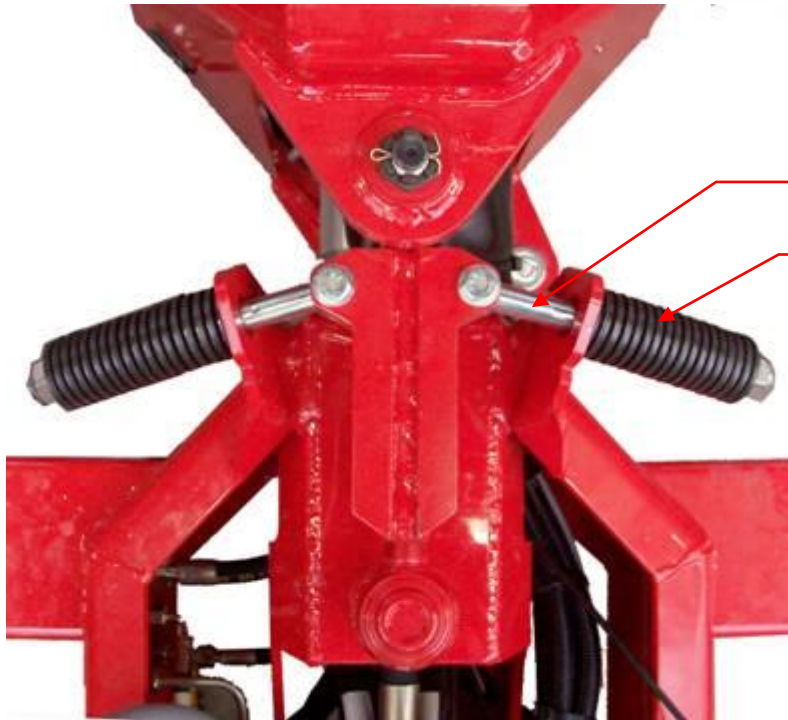




Partcode	Disription
08-0972	Weel-motor front DM-Trac 204
11-0656	Frontlift cylinder DM-Trac 204 < XL9DMTRAC4 0135509
11-0658	Frontlift cylinder DM-Trac 204 > XL9DMTRAC4 0135509
11-1245	Sealkit for 11-0658
11-1246	Sealkit for 11-0656
11-1803	Air-breather filter
14-1503	Vibration damper (Cabin)
14-9985	Protection boot
30-0912	Sliding bearing
36C-5605L	Coupler A-frame L
36C-5605R	Coupler A-frame R
36C-5621A	Pin ø20 mm lift-arm DM-Trac 204
36C-5621B	Pin ø30 mm lift-arm DM-Trac 204
36C-6600L	Liftarm L DM-Trac 204
36C-6600R	Liftarm R DM-Trac 204
38-1215	Weel nut M14 x 1,5
38-0685	Tire 26 x 12.0-12 4ply/ ET-45
38-0686	Tire 26 x 12.0-12 8ply/ ET-45
38S-0685	Rim for 38-0685 and 38-0686

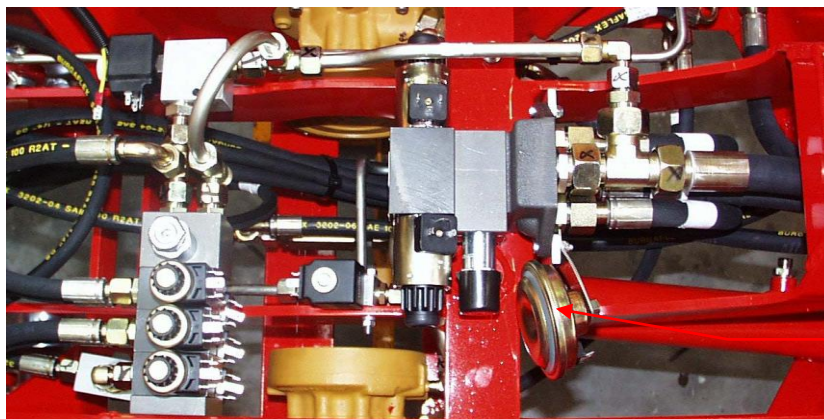


36C-5220



36C-5185

24-3370



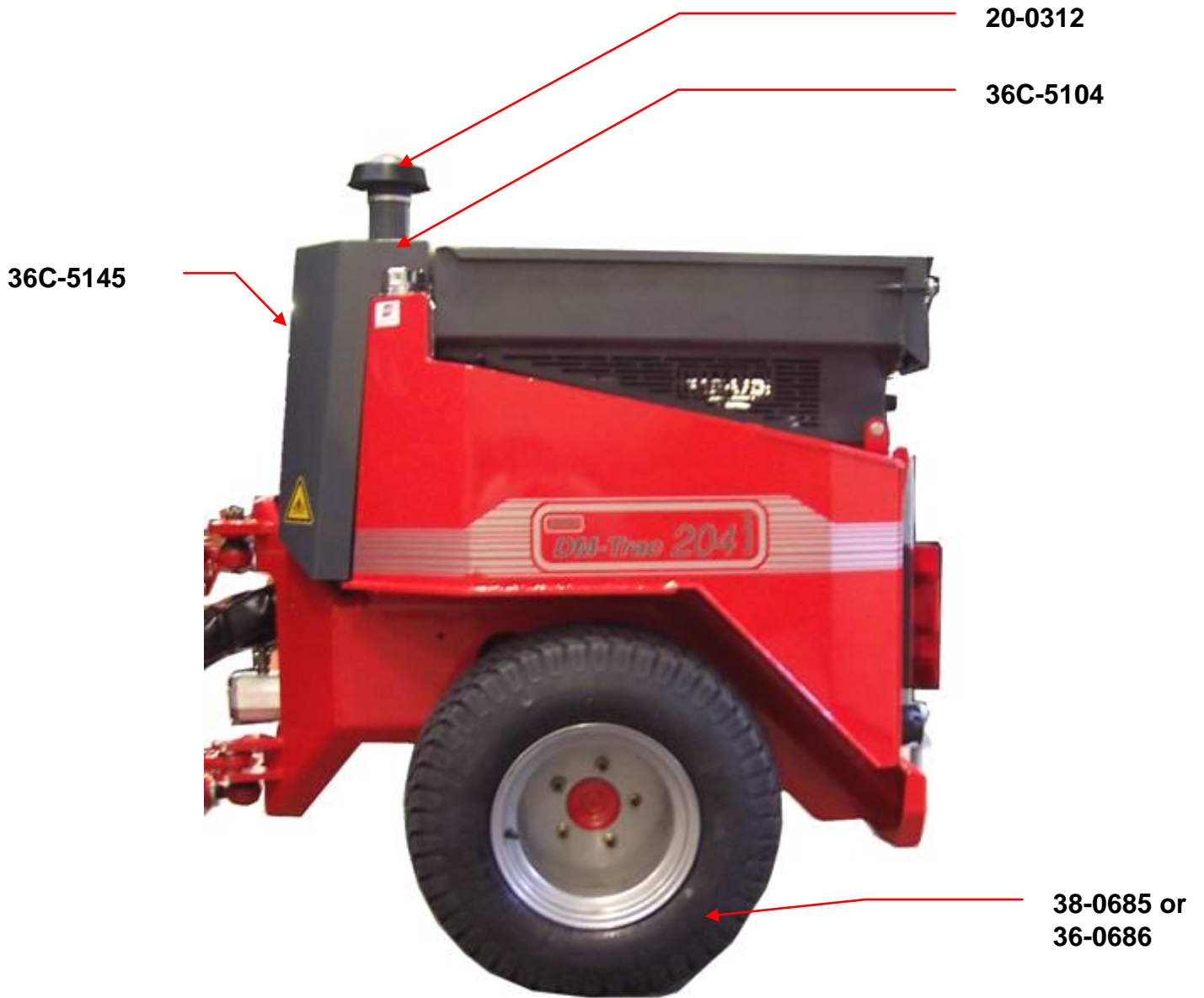
14-9939



<b>Partcode</b>	<b>Disription</b>
14-9939	Horn
24-3370	Disk-spring torsion system
36C-5185	Pin stability DM-Trac 204
36C-5220	Pin ø30mm pitching



5.2 Chassis Rear







<b>Partcode</b>	<b>Disription</b>
08-0974	Weel-motor rear DM-Trac 204
20-0312	Rain-cap 76mm
36C-5104	Cap oilcooler DM-Trac 204
36C-5145	Grill oilcooler DM-Trac 204
38-1215	Weel nut M14 x 1,5
38-0685	Tire 26 x 12.0-12 4ply/ ET-45
38-0686	Tire 26 x 12.0-12 8ply/ ET-45





Partcode	Disription
04-7534	Quick coupling male 1/2"
04-7536	Quick coupling female 1/2"
04-7546	Dust plug 1/2
04-7548	Dust cap 1/2
16-2110	Rear-cobimnation light L
16-2111	Rear-light cover Left
16-2113	Rear-cobimnation light R
16-2114	Rear-light cover Left
16-9918	Coupling plug 7pole (ligth)
20-2106	Damper body
34-3910	Lock for tipping-box
36-0628	Rear coupling DM-Trac
36-0628A	Pin with ball rear coupling DM-Trac
36C-5150	Grill Radiateur DM-Trac 204
38-9927	Lock



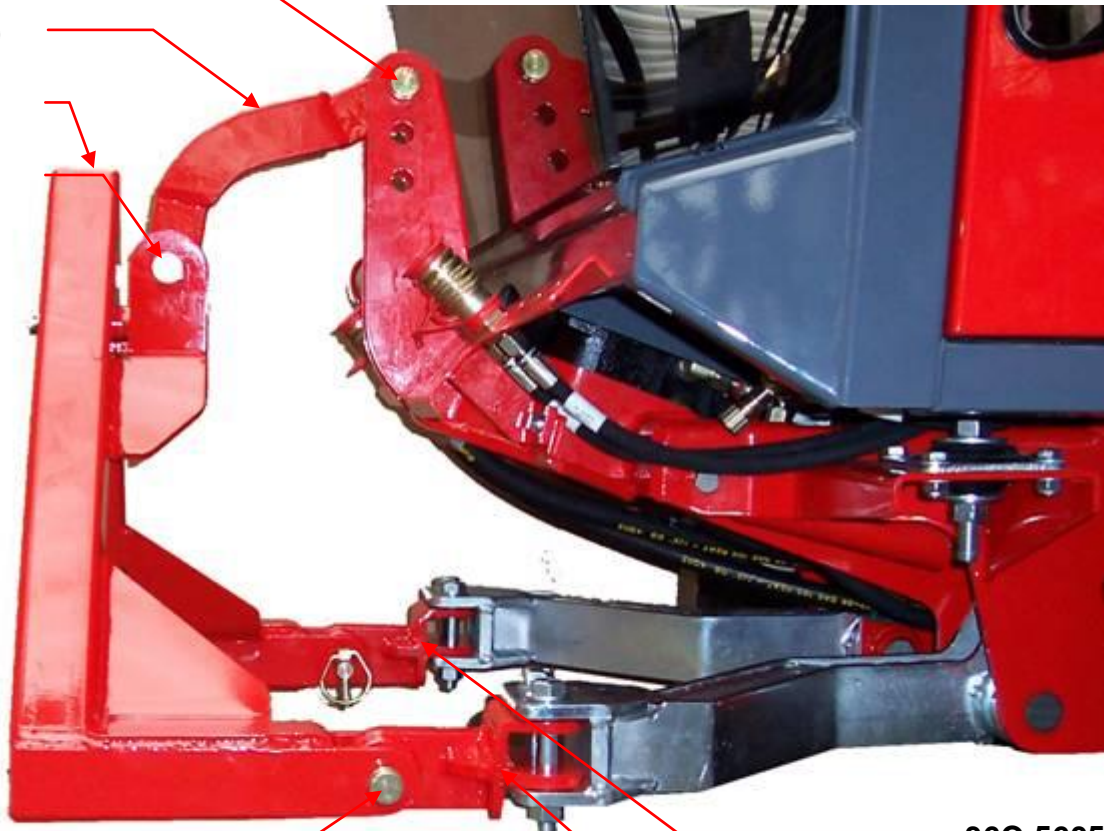
5.3 A-Frame

34-0324

36C-5660

52-2705

34-0324



34-0327

36C-5605R

36C-5605L



---

<b>Partcode</b>	<b>Disription</b>
34-0324	Top link pin 19mm
34-0327	Top link pin 22mm
52-2705	A-frame 204 Comfort
36C-5660	Top link A-frame



## 6 Fast Moving Parts

<b>Partcode</b>	<b>Disription</b>
08-4812	Filler/Breather filter 7 mu
08-1885	Hydraulic filter element (suction/return)
16-4227	Fuse 10A
16-4230	Fuse 25A
18-0462	Accelerator cable (hand)
18-0463	Accelerator cable (foot)
20-0615	Air filter Lomb. LDW 2204 CHD Plus
20-0638	Air filter cartridge cabine 1100 (2 pieces)
20-0907	Oil filter Lomb. LDW 2204 CHD Plus
20-1202	Fuel filter Lomb. LDW 2204 CHD Plus


**7 Index by Part-Code**

<b>Partcode</b>	<b>Disription</b>	<b>Remarks</b>	<b>Chapter</b>	
04-6915	Measurement point coupler		2.1	2.5
04-7502	Quick coupling male 1/4"		5.2	1.2
04-7508	Dust plug 1/4		5.2	1.2
04-7534	Quick coupling male 1/2"		5.2	1.2
04-7536	Quick coupling female 1/2"		5.2	1.2
04-7546	Dust plug 1/2		5.2	1.2
04-7548	Dust cap 1/2		5.2	1.2
08-0323	Driving-pump DM-Trac		2.1	2.5
08-0403	Scavenging valve		2.1	2.5
08-0972	Weel-motor front DM-Trac 204		5.1	2.5
08-0974	Weel-motor rear DM-Trac 204		5.2	2.5
08-1217	Coil 2/2 valve 12VDC		2.2	
08-1218	Valve 2/2 NC 12VDC (frontlift)		2.2	
08-1219	Valve 2/2 NO 12VDC		2.2	
08-1244	Valve 3/2 12VDC (brake sytem)		2.5	
08-1254	Relief valve		2.3	
08-1731	Flow contol valve (uni-directional)		5.1	
08-1812	Hydraulic filter (pump suction)		3.1	7
08-1880	Hydraulic filter (suction/return)		3.1	
08-1885	Hydraulic filter element (suction/return)		7	
08-2112	Check valve		2.5	
08-2298	Coil Valve NG3 12VDC		2.2	
08-2300	Valve 4/3 12VDC NG3		2.2	
08-2302	Mountingplate incl. reliefvalve		2.2	
08-2303	Endplate Valve NG3		2.2	
08-2437	Valve 4/3 12VDC NG6 (PTO)		2.3	
08-2454	Coil Valve NG6 12VDC		2.3	
08-2466	Connector (Hirschnan) black		2.3	
08-2467	Connector (Hirschnan) grey		2.3	
08-2704	Mountingplate valve NG6		2.3	
08-3611	Oil-cooler DM-Trac 204 (Eco11)		3	
08-3621	Temperature switch oil-tank		3.1	
08-3625	Temperature switch oil-cooler		3	
08-3904	Orbitrol OSPC 80LS+Prio		2.4	
08-4503	Gauge glas LG 1 T		3.1	
08-4806	Breater filler TR2		3.2	
08-4812	Filler/Breather filter 7 mu		3.1	7
08-9921	Presure switch IP-350 30-350		2.1	2.5
11-0656	Frontlift cylinder DM-Trac 204	til :XL9DMTRAC40135	5.1	
11-0658	Frontlift cylinder DM-Trac 204	from :XL9DMTRAC4 0135509	5.1	
11-0745	Steering cylinder DM-Trac 204		5.1	2.4
11-1244	Sealkit cylinder 25/50		5.1	2.4
11-1245	Sealkit for 11-0658		5.1	2.4
11-1516	Ball joint end 20mm		5.1	



11-1803	Air-breather filter	5.1	
11-xxxx	Sealkit for 11-0656	5.1	2.4
14-0615	Door handle without keylock R	1.2	
14-0624	Door lock inside left	1.1	
14-0627	Door lock inside righth	1.1	
14-0630	Door handle with keylock L	1.2	
14-0634	Pull handle	1.1	
14-0669	Door hinge	1.2	
14-0968	Control panel air conditioning/heater	1.1	
14-1202	Heater DM-Trac 204	1.1	
14-1215	Heater valve	1.1	
14-1503	Vibration damper (Cabin)	1.2	
14-1815	Door rubber	1.1	
14-1830	Profile rubber	1.1	
14-2416	Ventilation breather	1.1	
14-2703	Wiper motor	1.1	
14-2718	Front-screen wiper	1.2	
14-2739	Wiper blade	1.2	
14-2742	Screen-washer pump + tank	1.1	
14-2745	Screen-washer hose	1.2	
14-2748	Screen washer nozzle	1.2	
14-2754	Screen-washer hose connector	1.2	
14-3009	Seat, mech. suspended ,	1.1	
14-3025	Arm rest seat (L and R)	1.1	
14-3013	Air suspended seat Maximo XL	1.1	
14-3014	Air suspended seat Maximo XXL	1.1	
14-3312	Outside mirror with arm L	1.2	
14-3313	Outside mirror with arm R	1.2	
14-9915	Gas spring 250N	1.1	
14-9937	Cabin lighting	1.1	
14-9939	Horn	5.1	2.2
14-9952	Driving pedal DM-Trac (double)	1.1	2.5
14-9985	Protection boot	5.1	5.2
14-9989	Cabin cloth lining	1.1	
16-0643	Joystick 4 position	1.1.2	
16-0659	Switch, 3-pos.	1.1.2	
16-0661	Switch, 2-pos. With lock	1.1.2	
16-0669	Switch, 3-pos. Spring Return (2)	1.1.2	
16-0672	Cover, Switch	1.1.2	
16-0942	Symbol, Quick-Couplings	1.1.2	
16-0957	Symbol, PTO Rear	1.1.2	
16-0960	Symbol, PTO	1.1.2	
16-1503	Glow relay	1.1.3	
16-1506	Holder glow relay	1.1.3	
16-1509	Relay 12V (change-over)	1.1.3	
16-1524	Relay 12V 4-pole (switch over)	1.1.2	





16-1530	Holder relay and clip	1.1.2
16-1531	Fuse box	1.1.3
16-2110	Rear-cobimnation light L	5.2
16-2113	Rear-cobimnation light R	5.2
16-2131	Head light R	1.2
16-2132	Head light L	1.2
16-2148	Rotation light (flexible) 12V	1.2
16-2712	Cover, 30 mm	1.1.2
16-2803	Steering column	1.1.1
16-4230	Fuse 25A	1.1.3 7
16-9902	ISO conector (Radio)	1.1
16-9905	Aerial	1.2
16-9907	Speakers 40W 2-way	1.1
16-9908	Radio-CD-player	1.1
16-9924	Rail, relay	1.1.2
16-9941	Battery 12V 44 A/H	3.2
16-9944	Battery-terminal clamp -	3.2
16-9946	Battery-terminal clamp +	3.2
16-9953	Diode 3A	1.1.2 1.1.3
16-9957	Relais direction indicator	1.1.1
18-0301	Cable (inside) 1,5mm (heater)	1.1
18-0302	Cable (outside) 1,5mm (heater)	1.1
18-0426	Accelerator cable (hand)	4
18-0427	Accelerator cable (foot)	4
18-0606	Accelerator control handle	1.1.2
20-0312	Rain-cap 76mm	5.1 5.2
20-0615	Air filter Lomb. LDW 2204 CHD Plus	4 7
20-0638	Air filter cabine 1100	4 7
20-0907	Oil filter Lomb. LDW 2204 CHD Plus	7
20-1202	Fuel filter Lomb. LDW 2204 CHD Plus	7
20-2106	Damper body	5.1
20-2130	Vibration damper (engine)	4
20-2415	Exhaust-pipe clamp	4
20-2494	Muffler Lomb. LDW 2204 CHD Plus	4
20-3006	Fuel hose RM 6	4
20-3009	Fuel hose RM 8	4
20-3036	Water hose 16mm	4 1.1
20-3066	Air hose 50mm	4
20-3080	Air hose 76mm	4
20-3325	Engine Lomb. LDW 2204 CHD Plus	4
20-3907	Starter motor 2,2 kW 12V Lomb.	4
20-4207	Generator 65A Lombardini	4
20-4817	Radiator Lomb.LDW2204CHDPlus	4
20-4822	Radiator cap	4
20-9939	Tank transmitter	3.2
20-9941	Watertemperature sensor	4
22-0303	Sticker Nimos (21x9cm)	1.2



22-0621	Sticker read manual	1.2	
22-0936	Striping DM-Trac 204 comfort	3.1	3.2
24-3370	Disk-spring torsion system	5.2	
24-3918	Sheet-metal ring M16	1.2	
28-0304	Front-screen (top)	1.2	
28-0305	Front-screen (below)	1.2	
28-0604	Rear window C-1100+1300 L	1.2	
28-0605	Rear window C-1100+1300 R	1.2	
28-0910	Door window C-1100+1300 L	1.2	
28-0949	Door mirror (low) C-1100+1300 R	1.2	
28-1242	Sliding window C-1100+1300 R	1.2	
28-9915	Side screen C-1100+1300 L	1.2	
28-9916	Side screen C-1100+1300 R	1.2	
30-0912	Sliding bearing	5.1	
32-1803	Grease nipple M6 x 1	5.1	
32-1809	Grease nipple M8 x 1,25 - 90	5.1	
34-0324	Top link pin 19mm	5.3	
34-0327	Top link pin 22mm	5.3	
34-3910	Lock for tipping-box	4	
36-0628	Rear coupling DM-Trac	5.2	
36-0628A	Pin with ball rear coupling DM-Trac	5.2	
36C-5100	Battery cover DM-Trac 204	3.2	
36C-5104	Cap oilcooler DM-Trac 204	3.2	
36C-5145	Grill oilcooler DM-Trac 204	3.2	
36C-5150	Grill Radiateur DM-Trac 204	3.2	
36C-5185	Pin stability DM-Trac 204	5.1	
36C-5220	Pin ø30mm pitching	5.1	
36C-5310	Exhaust pipe DM-Trac 204 (Lomb.)	4	
36C-5570L	Door L Cabine 1100	1.2	
36C-5570R	Door R Cabine 1100	1.2	
36C-5600L	Bracket for light L	1.2	
36C-5600R	Bracket for light L	1.2	
36C-5605L	Coupler A-frame L	5.3	5.1
36C-5605R	Coupler A-frame L	5.3	5.1
36C-5617	Bracket for rotation light	1.2	
36C-5621A	Pin ø22 mm lift-arm DM-Trac 204	5.1	
36C-5621B	Pin ø22 mm lift-arm DM-Trac 204	5.1	
36C-5660	Top link A-frame	5.3	
36C-6600L	Liftarm L DM-Trac 204	5.1	
36C-6600R	Liftarm R DM-Trac 204	5.1	2.4
38-0685	Tire 26 x 12.0-12 4ply/ ET-45	5.1	2.4
38-0686	Tire 26 x 12.0-12 8ply/ ET-45	5.1	2.4
38-1215	Weel nut M14 x 1,5	5.1	2.4
38-9927	Lock	5.1	2.4
40-0924	Anti-slide rubber	1.1	
44-0903	Cooling-liquid Permafluid -26C	4	
44-9904	Diesel	3.2	



46-9948	Air-filter cabine	1.1	
52-2705	A-frame 204 Comfort	5.2	1.2
95-0134	Gear pump 25cc (PTO)	2.1	
95-0135	Gear pump 6cc (steering)	2.1	
95-0606	Punp flange 30 x 3/8"	2.1	
95-0608	Punp flange 30 x 1/2"	2.1	

## 8 Index by Part-Name

Partcode	Disription	Remarks	Chapter
<b>A</b>			
18-0427	Accelerator cable (foot)		4
18-0426	Accelerator cable (hand)		4
18-0606	Accelerator control handle		1.1.2
16-9905	Aerial		1.2
52-2705	A-frame 204 Comfort		5.2 1.2
20-0638	Air filter cabine 1100		4 7
20-0615	Air filter Lomb. LDW 2204 CHD Plus		4 7
20-3066	Air hose 50mm		4
20-3080	Air hose 76mm		4
11-1803	Air-breather filter		5.1
46-9948	Air-filter cabine		1.1
40-0924	Anti-slide rubber		1.1
14-3025	Arm rest seat (L and R)		1.1
14-3013	Air suspended seat Maximo XL		1.1
14-3014	Air suspended seat Maximo XXL		1.1
<b>B</b>			
11-1516	Ball joint end 20mm		5.1
36C-5100	Batery cover DM-Trac 204		3.2
16-9941	Battery 12V 44 A/H		3.2
16-9944	Battery-terminal clamp -		3.2
16-9946	Battery-terminal clamp +		3.2
36C-5600L	Bracket for light L		1.2
36C-5600R	Bracket for light L		1.2
36C-5617	Bracket for rotation light		1.2
08-4806	Breater filler TR2		3.2
<b>C</b>			
14-9989	Cabin cloth lining		1.1
14-9937	Cabin lighting		1.1
18-0301	Cable (inside) 1,5mm (heater)		1.1
18-0302	Cable (outside) 1,5mm (heater)		1.1
36C-5104	Cap oilcooler DM-Trac 204		3.2
08-2112	Check valve		2.5
08-1217	Coil 2/2 valve 12VDC		2.2
08-2298	Coil Valve NG3 12VDC		2.2
08-2454	Coil Valve NG6 12VDC		2.3



08-2466	Connector (Hirschnan) black		2.3
08-2467	Connector (Hirschnan) grey		2.3
14-0968	Control panel air conditioning/heater		1.1
44-0903	Cooling-liquid Permafluid -26C		4
36C-5605L	Coupler A-frame L		5.3 5.1
36C-5605R	Coupler A-frame L		5.3 5.1
16-2712	Cover, 30 mm		1.1.2
16-0672	Cover, Switch		1.1.2
<b>D</b>			
20-2106	Damper body		5.1
44-9904	Diesel		3.2
16-9953	Diode 3A		1.1.2 1.1.3
24-3370	Disk-spring torsion system		5.2
14-0630	Door handle with keylock L		1.2
14-0615	Door handle without keylock R		1.2
14-0669	Door hinge		1.2
36C-5570L	Door L Cabine 1100		1.2
14-0624	Door lock inside left		1.1
14-0627	Door lock inside righth		1.1
28-0949	Door mirror (low) C-1100+1300 R		1.2
36C-5570R	Door R Cabine 1100		1.2
14-1815	Door rubber		1.1
28-0910	Door window C-1100+1300 L		1.2
14-9952	Driving pedal DM-Trac (dubble)		1.1 2.5
08-0323	Driving-pump DM-Trac		2.1 2.5
04-7548	Dust cap 1/2		5.2 1.2
04-7546	Dust plug 1/2		5.2 1.2
04-7508	Dust plug 1/4		5.2 1.2
<b>E</b>			
08-2303	Endplate Valve NG3		2.2
20-3325	Engine Lomb. LDW 2204 CHD Plus		4
36C-5310	Exhaust pipe DM-Trac 204 (Lomb.)		4
20-2415	Exhaust-pipe clamp		4
<b>F</b>			
08-4812	Filler/Breather filter 7 mu		3.1 7
08-1731	Flow control valve (uni-directional)		5.1
11-0656	Frontlift cylinder DM-Trac 204	til :XL9DMTRAC40135	5.1
11-0658	Frontlift cylinder DM-Trac 204	from :XL9DMTRAC4 0135509	5.1
28-0305	Front-screen (below)		1.2
28-0304	Front-screen (top)		1.2
14-2718	Front-screen wiper		1.2
20-1202	Fuel filter Lomb. LDW 2204 CHD Plus		7
20-3006	Fuel hose RM 6		4
20-3009	Fuel hose RM 8		4
16-4230	Fuse 25A		1.1.3 7
16-1531	Fuse box		1.1.3
<b>G</b>			



14-9915	Gas spring 250N	1.1	
08-4503	Gauge glas LG 1 T	3.1	
95-0134	Gear pump 25cc (PTO)	2.1	
95-0135	Gear pump 6cc (steering)	2.1	
20-4207	Generator 65A Lombardini	4	
16-1503	Glow relay	1.1.3	
32-1803	Grease nipple M6 x 1	5.1	
32-1809	Grease nipple M8 x 1,25 - 90	5.1	
36C-5145	Grill oilcooler DM-Trac 204	3.2	
36C-5150	Grill Radiateur DM-Trac 204	3.2	
<b>H</b>			
16-2132	Head light L	1.2	
16-2131	Head light R	1.2	
14-1202	Heater DM-Trac 204	1.1	
14-1215	Heater valve	1.1	
16-1506	Holder glow relay	1.1.3	
16-1530	Holder relay and clip	1.1.2	
14-9939	Horn	5.1	2.2
08-1812	Hydraulic filter (pump suction)	3.1	7
08-1880	Hydraulic filter (suction/return)	3.1	
08-1885	Hydraulic filter element (suction/return)	7	
<b>I</b>			
16-9902	ISO conector (Radio)	1.1	
<b>J</b>			
16-0643	Joystick 4 position	1.1.2	
<b>L</b>			
36C-6600L	Liftarm L DM-Trac 204	5.1	
36C-6600R	Liftarm R DM-Trac 204	5.1	2.4
38-9927	Lock	5.1	2.4
34-3910	Lock for tipping-box	4	
<b>M</b>			
04-6915	Measurement point coupler	2.1	2.5
08-2302	Mountingplate incl. reliefvalve	2.2	
08-2704	Mountingplate valve NG6	2.3	
20-2494	Muffler Lomb. LDW 2204 CHD Plus	4	
<b>O</b>			
20-0907	Oil filter Lomb. LDW 2204 CHD Plus	7	
08-3611	Oil-cooler DM-Trac 204 (Eco11)	3	
08-3904	Orbitrol OSPC 80LS+Prio	2.4	
14-3312	Outside mirror with arm L	1.2	
14-3313	Outside mirror with arm R	1.2	
<b>P</b>			
36C-5621A	Pin ø22 mm lift-arm DM-Trac 204	5.1	
36C-5621B	Pin ø22 mm lift-arm DM-Trac 204	5.1	
36C-5220	Pin ø30mm pitching	5.1	
36C-5185	Pin stability DM-Trac 204	5.1	
36-0628A	Pin with ball rear coupling DM-Trac	5.2	



08-9921	Pressure switch IP-350 30-350	2.1	2.5
14-1830	Profile rubber	1.1	
14-9985	Protection boot	5.1	5.2
14-0634	Pull handle	1.1	
95-0606	Pump flange 30 x 3/8"	2.1	
95-0608	Pump flange 30 x 1/2"	2.1	
<b>Q</b>			
04-7536	Quick coupling female 1/2"	5.2	1.2
04-7534	Quick coupling male 1/2"	5.2	1.2
04-7502	Quick coupling male 1/4"	5.2	1.2
<b>R</b>			
20-4822	Radiator cap	4	
20-4817	Radiator Lomb.LDW2204CHDPlus	4	
16-9908	Radio-CD-player	1.1	
16-9924	Rail, relay	1.1.2	
20-0312	Rain-cap 76mm	5.1	5.2
36-0628	Rear coupling DM-Trac	5.2	
28-0604	Rear window C-1100+1300 L	1.2	
28-0605	Rear window C-1100+1300 R	1.2	
16-2110	Rear-combination light L	5.2	
16-2113	Rear-combination light R	5.2	
16-9957	Relais direction indicator	1.1.1	
16-1509	Relay 12V (change-over)	1.1.3	
16-1524	Relay 12V 4-pole (switch over)	1.1.2	
08-1254	Relief valve	2.3	
16-2148	Rotation light (flexible) 12V	1.2	
<b>S</b>			
08-0403	Scavenging valve	2.1	2.5
14-2748	Screen washer nozzle	1.2	
14-2745	Screen-washer hose	1.2	
14-2754	Screen-washer hose connector	1.2	
14-2742	Screen-washer pump + tank	1.1	
11-1244	Seal kit cylinder 25/50	5.1	2.4
11-xxxx	Seal kit for 11-0656	5.1	2.4
11-1245	Seal kit for 11-0658	5.1	2.4
14-3009	Seat, mech. suspended ,	1.1	
24-3918	Sheet-metal ring M16	1.2	
28-9915	Side screen C-1100+1300 L	1.2	
28-9916	Side screen C-1100+1300 R	1.2	
30-0912	Sliding bearing	5.1	
28-1242	Sliding window C-1100+1300 R	1.2	
16-9907	Speakers 40W 2-way	1.1	
20-3907	Starter motor 2,2 kW 12V Lomb.	4	
16-2803	Steering column	1.1.1	
11-0745	Steering cylinder DM-Trac 204	5.1	2.4
22-0303	Sticker Nimos (21x9cm)	1.2	
22-0621	Sticker read manual	1.2	



22-0936	Striping DM-Trac 204 comfort	3.1	3.2
16-0661	Switch, 2-pos. With lock	1.1.2	
16-0659	Switch, 3-pos.	1.1.2	
16-0669	Switch, 3-pos. Spring Return (2)	1.1.2	
16-0960	Symbol, PTO	1.1.2	
16-0957	Symbol, PTO Rear	1.1.2	
16-0942	Symbol, Quick-Couplings	1.1.2	
<b>T</b>			
20-9939	Tank transmitter	3.2	
08-3625	Temperature switch oil-cooler	3	
08-3621	Temperature switch oil-tank	3.1	
38-0685	Tire 26 x 12.0-12 4ply/ ET-45	5.1	2.4
38-0686	Tire 26 x 12.0-12 8ply/ ET-45	5.1	2.4
36C-5660	Top link A-frame	5.3	
34-0324	Top link pin 19mm	5.3	
34-0327	Top link pin 22mm	5.3	
<b>V</b>			
08-1218	Valve 2/2 NC 12VDC (frontlift)	2.2	
08-1219	Valve 2/2 NO 12VDC	2.2	
08-1244	Valve 3/2 12VDC (brake sytem)	2.5	
08-2300	Valve 4/3 12VDC NG3	2.2	
08-2437	Valve 4/3 12VDC NG6 (PTO)	2.3	
14-2416	Ventilation breater	1.1	
14-1503	Vibration damper (Cabin)	1.2	
20-2130	Vibration damper (engine)	4	
20-3036	Water hose 16mm	4	1.1
<b>W</b>			
20-9941	Watertemperature sensor	4	
38-1215	Weel nut M14 x 1,5	5.1	2.4
08-0972	Weel-motor front DM-Trac 204	5.1	2.5
08-0974	Weel-motor rear DM-Trac 204	5.2	2.5
14-2739	Wiper blade	1.2	
14-2703	Wiper motor	1.1	