

NIMOS

Parts Manual DM-Trac 408



Parts_Manual_DM408C_EN_13

Drost Machines BV
Utrechtsestraatweg 204
3911 TX RHENEN

Ordering parts:

Tel: 0031 317 650 350

Fax: 0031 317 614 447

E-mail: parts@nimos.nl

Website: www.nimos.nl





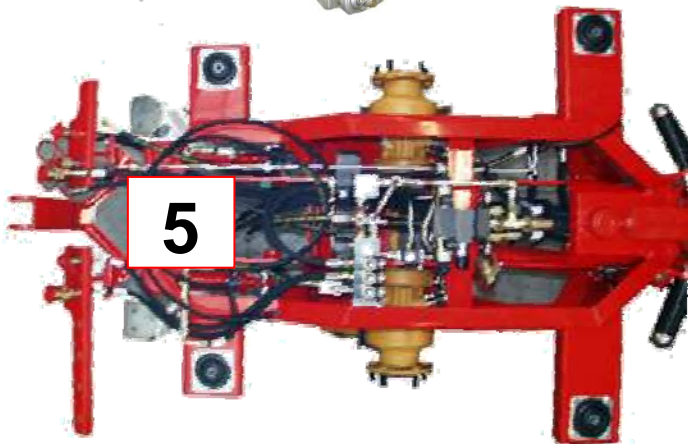
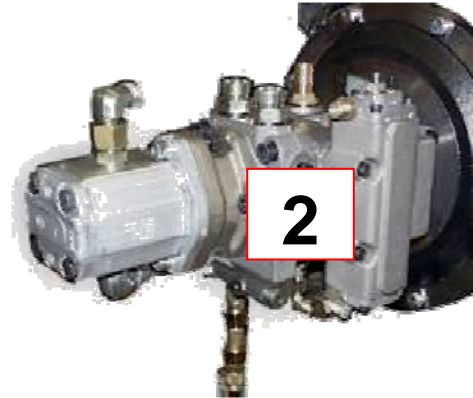
Parts Manual DM-Trac 408 Comfort







| | |
|--|-----------|
| 1 Cabine | 5 |
| 1 Cabine | 6 |
| 1.1 Interior..... | 6 |
| 1.1.2 Command Arm..... | 16 |
| 1.2 Exterior | 18 |
| 2 Hydraulics | 22 |
| 2.1 Pumps..... | 22 |
| 2.2 Functions Implement and Front-lift | 24 |
| 2.3 PTO Implement..... | 26 |
| 2.4 Steering System | 28 |
| 2.5 Driving System..... | 30 |
| 3 Reservoirs and Cooling | 32 |
| 3.1 Hydraulic-oil tank | 32 |
| 3.2 Oil-Cooler..... | 34 |
| 3.3 Fuel tank and Battery..... | 36 |
| 4 Engine | 38 |
| 5 Chassis | 42 |
| 5.1 Chassis Front and Front-lift | 42 |
| 5.2 Chassis Rear | 44 |
| 5.3 A-Frame..... | 46 |
| 6 Fast Moving Parts | 48 |





1 Cabine

1.1 Interior



14-2703

16-2803



14-9952

36C-6022

40-0924



14-3023

14-2742

14-1815



| Partcode | Disription |
|----------|--|
| 14-1815 | Door rubber |
| 14-2703 | Wiper motor |
| 14-2742 | Screen-washer pump + tank |
| 14-3023 | Seat, air suspended std. |
| 14-3013 | Seat, air suspended Maximo XL (optional) |
| 14-3014 | Seat, air suspended Maximo XXL (optional) |
| 16-2803 | Steering coulomb see page 16 |
| 36C-6022 | Command arm see page 16 |
| 14-9952 | Driving pedal DM-Trac (double) see page 22 |
| 40-0924 | Anti-slide rubber |
| | |
| | |





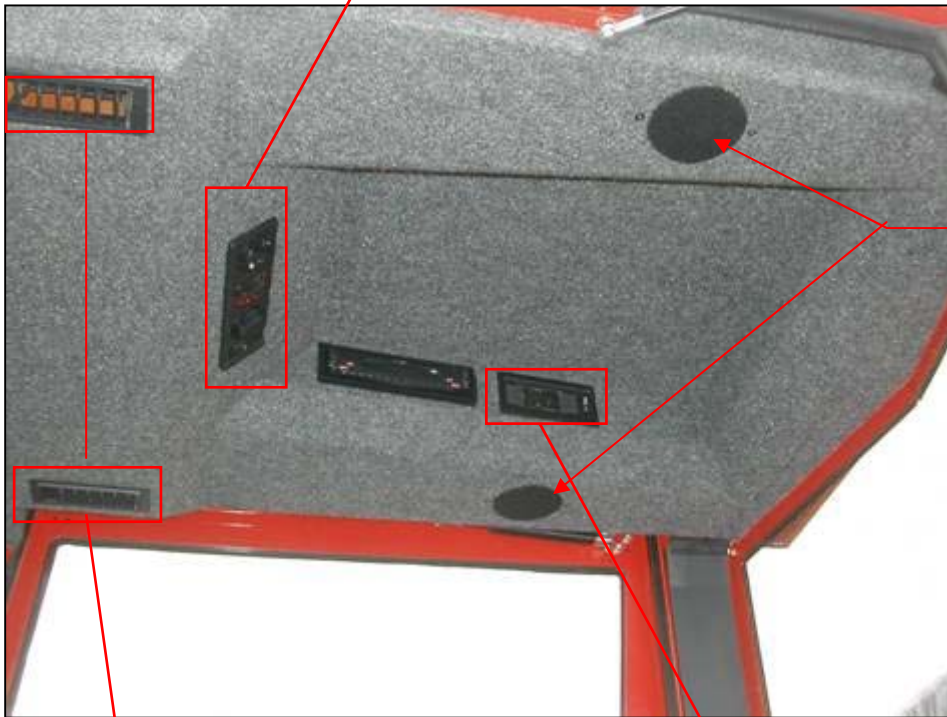
Parts Manual DM-Trac 408 Comfort



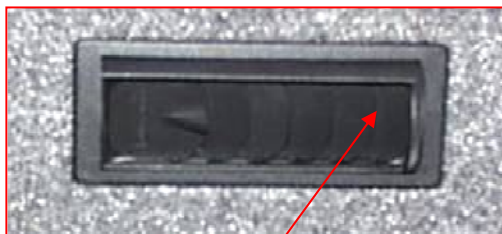
| Part code | Description |
|-----------|--|
| 14-0624 | Door lock inside left |
| 14-0627 | Door lock inside right |
| 14-0634 | Pull handle |
| 36C-5570L | Door L (construction part less components) |
| 36C-5570R | Door R (construction part less components) |
| 14-9915 | Gas loaded spring < S/N:XL9DMTRAC70135843 |
| 14-9916 | Gas loaded spring > S/N:XL9DMTRAC70135844 |
| 14S-3008 | Kit for upgrading from older models |
| | |



14-0968



16-9907



14-2416



14-9937

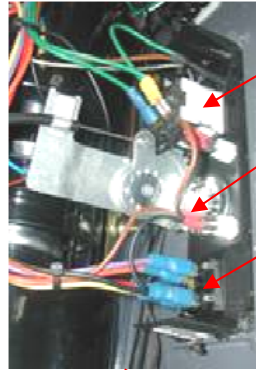


| Part code | Description |
|-----------|---------------------------------------|
| 14-0968 | Control panel air conditioning/heater |
| 14-2416 | Ventilation breather |
| 14-9937 | Cabin lighting |
| 16-9907 | Speakers 40W 2-way |
| 16-9908 | Radio-CD-player |
| | |
| | |



16-1524

16-1530



14-1224

14-0968

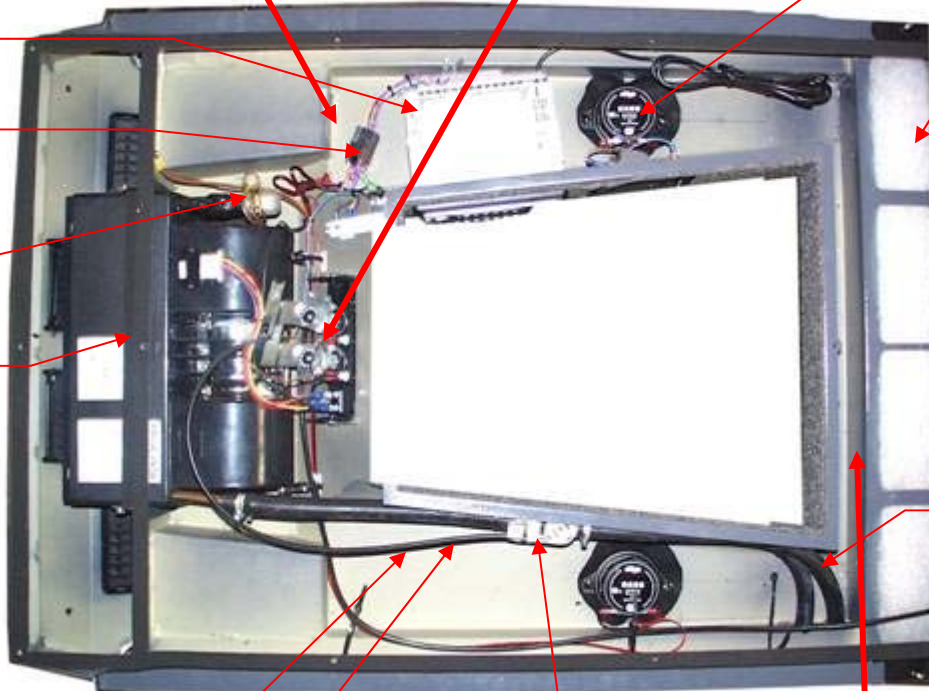
14-0931

16-9908

16-9902

14-0965

14-1202



16-9907

20-0637

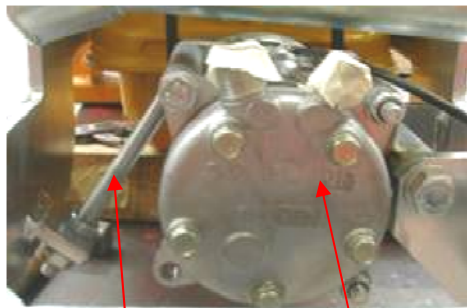
20-0638

20-3036

18-0302

18-0301

14-1215



36C-6024

14-1208



14S-1228



14-1211

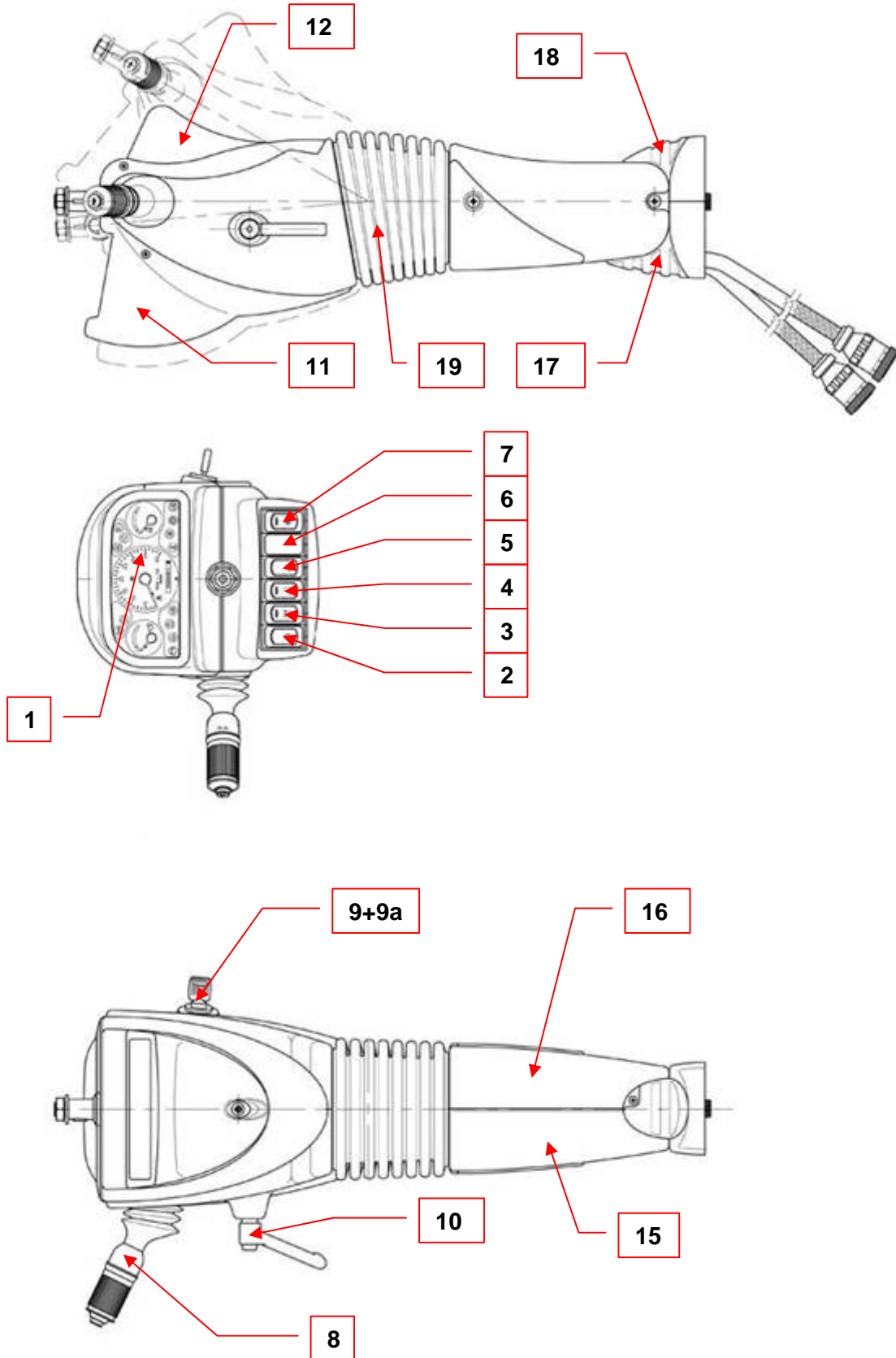
14-1237



| Part code | Description |
|-----------|--|
| 14-1202 | Heater DM-Trac |
| 14-1215 | Heater valve |
| 16-9902 | ISO connector (Radio) |
| 16-9907 | Speakers 40W 2-way |
| 16-9908 | Radio-CD-player |
| 18-0301 | Cable (inside) 1,5mm (heater) |
| 18-0302 | Cable (outside) 1,5mm (heater) |
| 20-0638 | Air filter cabin 1100 (two peaces are needed for filtration) |
| 20-0637 | Air filter cabin 1300 (two peaces are needed for filtration) |
| | |
| 20-3036 | Water hose 16mm |
| 14-0965 | Expansion valve |
| 14-1224 | Temperature switch air-co |
| 14-0968 | Switch panel |
| 14-0931 | Switch for blower 3 pos |
| | |
| 07-0001 | Air-co hose A1(hose from drier to expansion valve) |
| 07-0020 | Air-co hose A20 (from condenser to drier) |
| 07-0021 | Air-co hose A21 (hose from air-co unit to compressor) |
| 07-0022 | Air-co hose A22(hose from compressor to condenser) |
| 14S-1228 | Condenser |
| 14-1208 | Air-co compressor |
| 14-1211 | Receiver-drier |
| 20-1531 | V-Belt Air-co Compressor |
| 14-1202 | Heater / air-conditioning Unit |
| 36C-6024 | Adjuster for air-co pump 406 |



1.1.1 Steering Column

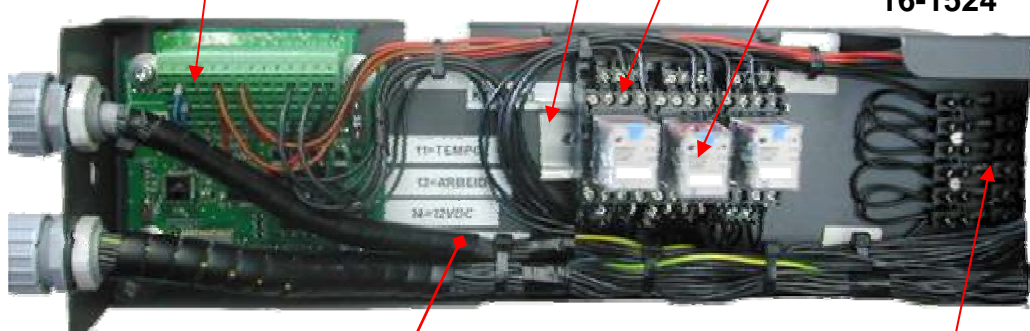
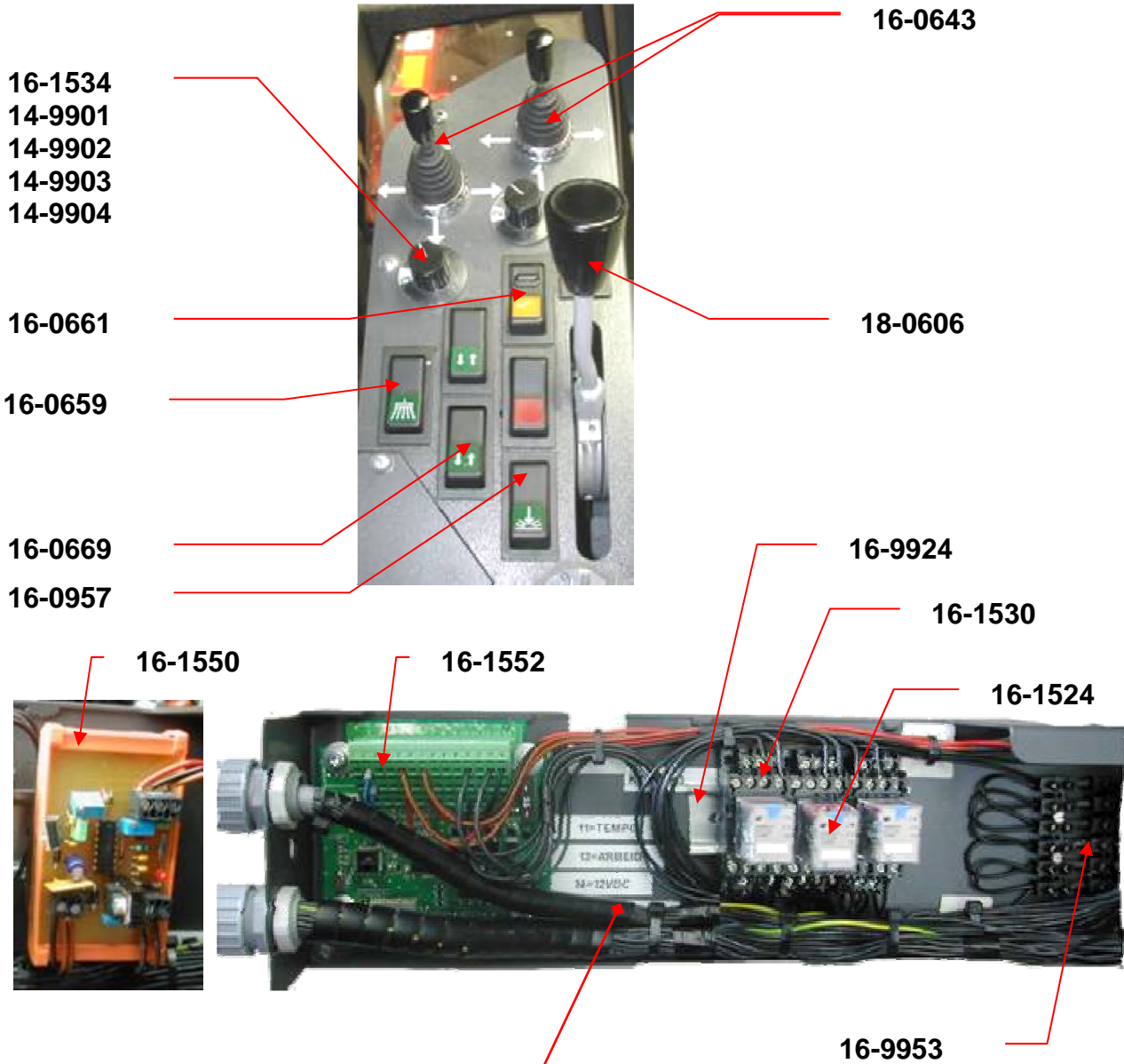




| No | Partcode | Disription |
|----|----------|--|
| | 16-2803 | Steering column (Complete) |
| 1 | 16-2804 | Meter unit |
| 2a | 16-2805 | Switch Road light |
| 2b | 16-2806 | Knob for switch |
| 2c | 16-2807 | Bracket for switch |
| 3a | 16-2808 | Switch Rotating light |
| 3b | 16-2809 | Knob for switch |
| 3c | 16-2810 | Bracket for switch |
| 4a | 16-2811 | Switch working light |
| 4b | 16-2812 | Knob for switch |
| 4c | 16-2810 | Bracket for switch |
| 5a | 16-2814 | Switch hazard light |
| 5b | 16-2815 | Knob for switch |
| 5c | 16-2810 | Bracket for switch |
| 6a | 16-2817 | Blind |
| 6b | 16-2810 | Bracket for switch |
| 7a | 16-2819 | Switch Parking brake |
| 7b | 16-2820 | Knob for switch |
| 7c | 16-2807 | Bracket for switch |
| 8 | 16-2822 | Combi switch turning light, washer, horn |
| 9 | 16-2802 | Ignition switch |
| 9a | 16-2801 | Ignition key |
| 10 | 16-2823 | Steering-column lock |
| 11 | 16-2824 | Plastic cover top rear |
| 12 | 16-2825 | Plastic cover top front |
| 13 | 16-2826 | Plastic cover left |
| 14 | 16-2827 | Plastic cover right |
| 15 | 16-2828 | Plastic cover left bottum |
| 16 | 16-2829 | Plastic cover right bottum |
| 17 | 16-2830 | Plastic cover bottum |
| 18 | 16-2831 | Plastic cover bottom |
| 19 | 16-2832 | Rubber flexible |
| 20 | 16-2833 | Wiring for column |
| | 16-2838 | Cable connector for switches |
| 21 | 16-2839 | 37 pin connector (chassis mount) |
| 22 | 16-2840 | 37 pin connector (cable mount) |
| | | |
| | | |



1.1.2 Command Arm

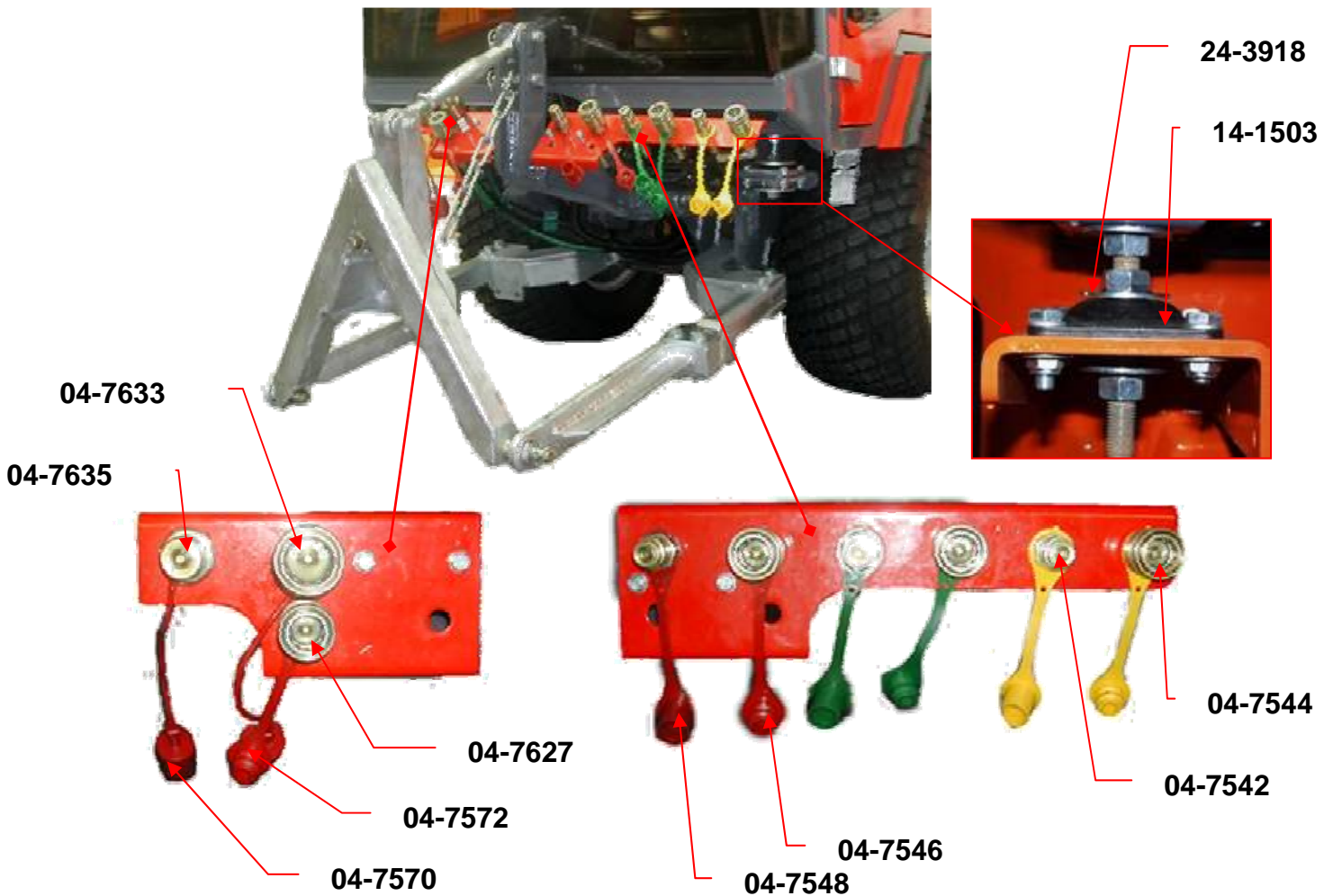
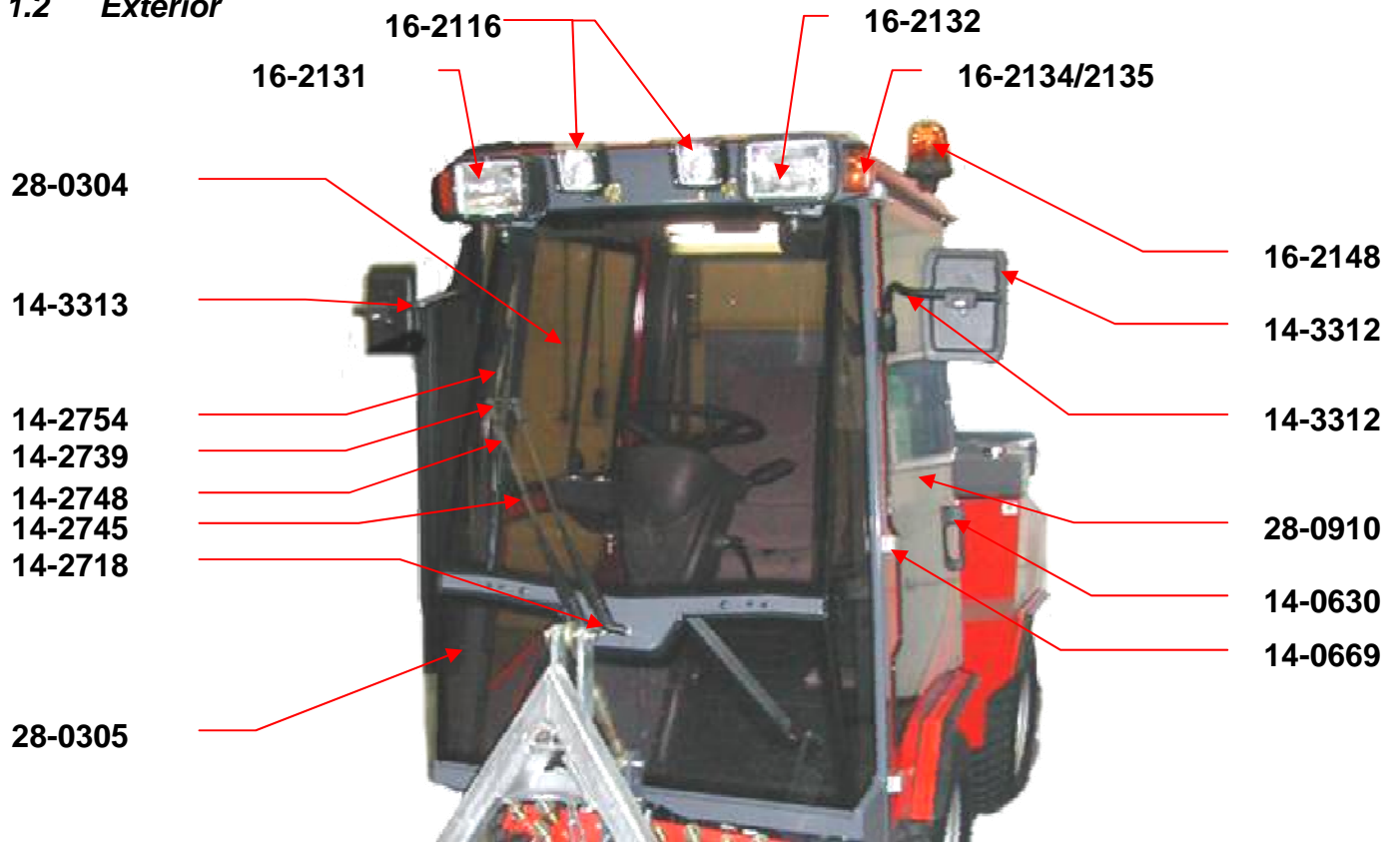




| Partcode | Disription |
|----------|---|
| 16-0643 | Joystick 4 position |
| 16-9986 | Rubber dustcover for joystick |
| 16-0659 | Switch, 3-pos. |
| 16-0657 | Switch, 2-pos. With lock |
| 16-0669 | Switch, 3-pos. Spring Return (2) |
| 16-0942 | Symbol, Quick-Couplings |
| 16-0957 | Symbol, PTO Rear |
| 16-0960 | Symbol, PTO |
| 16-1524 | Relay 12V 4-pole (swith over) |
| 16-1530 | Socket for relay and clip |
| 16-9924 | Rail, relay |
| 18-0606 | Accelerator control handle |
| 16-1550 | Print for electronic functions |
| 16-1552 | Print for electronic functions (new type) |
| 16-1534 | Potentiometer |
| 14-9901 | } Potentiometer control knob |
| 14-9902 | |
| 14-9903 | |
| 14-9904 | |
| | |
| | |
| | |

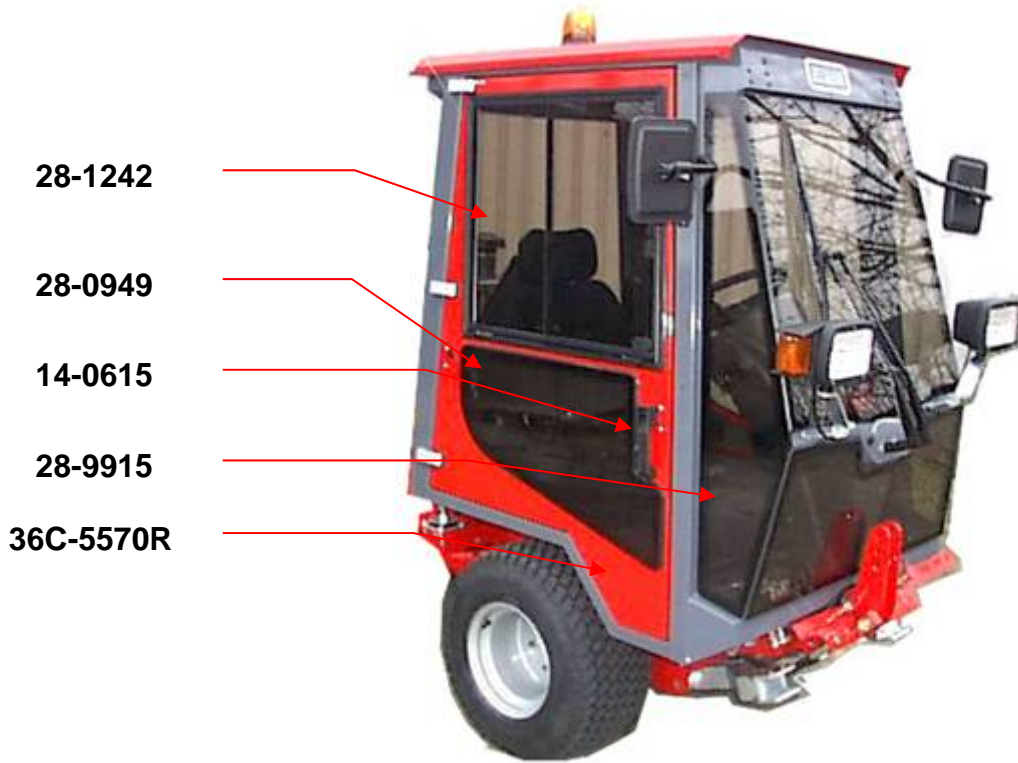


1.2 Exterior





| Partcode | Disription |
|----------|-------------------------------------|
| 04-7544 | Quick coupling female ½" |
| 04-7546 | Dust cap ½" |
| 04-7542 | Quick coupling male 1/2" |
| 04-7544 | Quick coupling female 1/2" |
| 04-7548 | Dust cap red male 1/2 |
| 04-7546 | Dust cap red female 1/2 |
| 04-7643 | Dust cap green male 1/2 |
| 04-7640 | Dust cap green female 1/2 |
| 04-7644 | Dust cap yellow male 1/2 |
| 04-7641 | Dust cap yellow female 1/2 |
| 04-7645 | Dust cap bleu male 1/2 |
| 04-7642 | Dust cap bleu female 1/2 |
| 14-0630 | Door handle with key lock L |
| 14-0669 | Door hinge left and right (6x) |
| 14-1503 | Vibration silencer (Cabin 4x) |
| 14-2718 | Front-screen wiper |
| 14-2739 | Wiper blade |
| 14-2745 | Screen-washer hose |
| 14-2748 | Screen washer nozzle |
| 14-2754 | Screen-washer hose connector |
| 14-3312 | Outside mirror with arm L |
| 14-3313 | Outside mirror with arm R |
| 14-3314 | Mirror only left or right |
| 16-2131 | Head light R |
| 16-2134 | Turning light (16-2131) |
| 16-2132 | Head light L |
| 16-2135 | Turning light (16-2132) |
| 16-2148 | Rotation light (flexible) 12V |
| 24-3918 | Sheet-metal ring M16 |
| 28-0304 | Front-screen top (Only Cabin 1100) |
| 28-0353 | Front-screen top (Only Cabin 1300) |
| 28-0305 | Front-screen lower(Only Cabin 1100) |
| 28-0354 | Front-screen lower(Only Cabin 1300) |
| 28-0910 | Door window C-1100+1300 L |
| 28-0604 | Rear window left hand |
| 28-0605 | Rear window right hand |
| 28-0627 | Back window midsection |



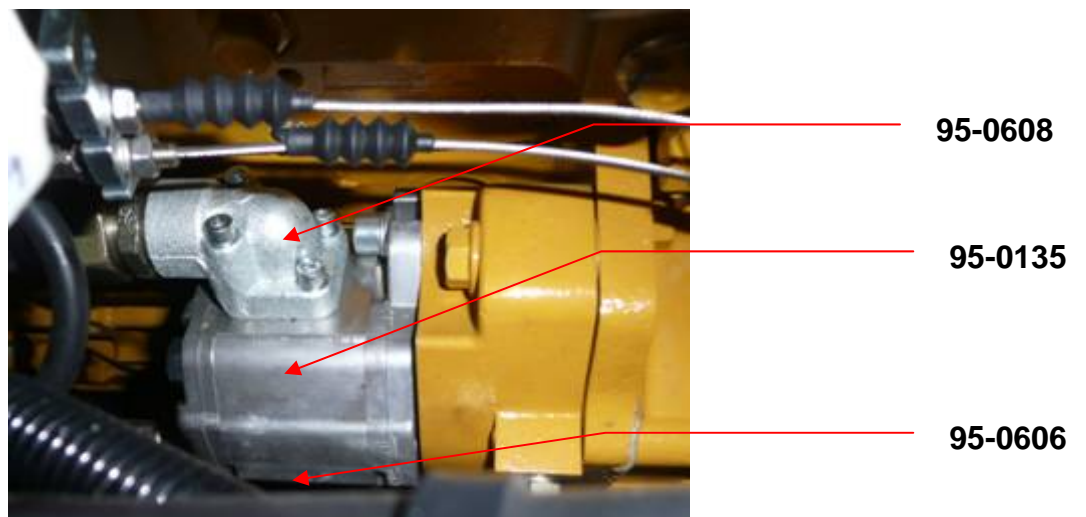
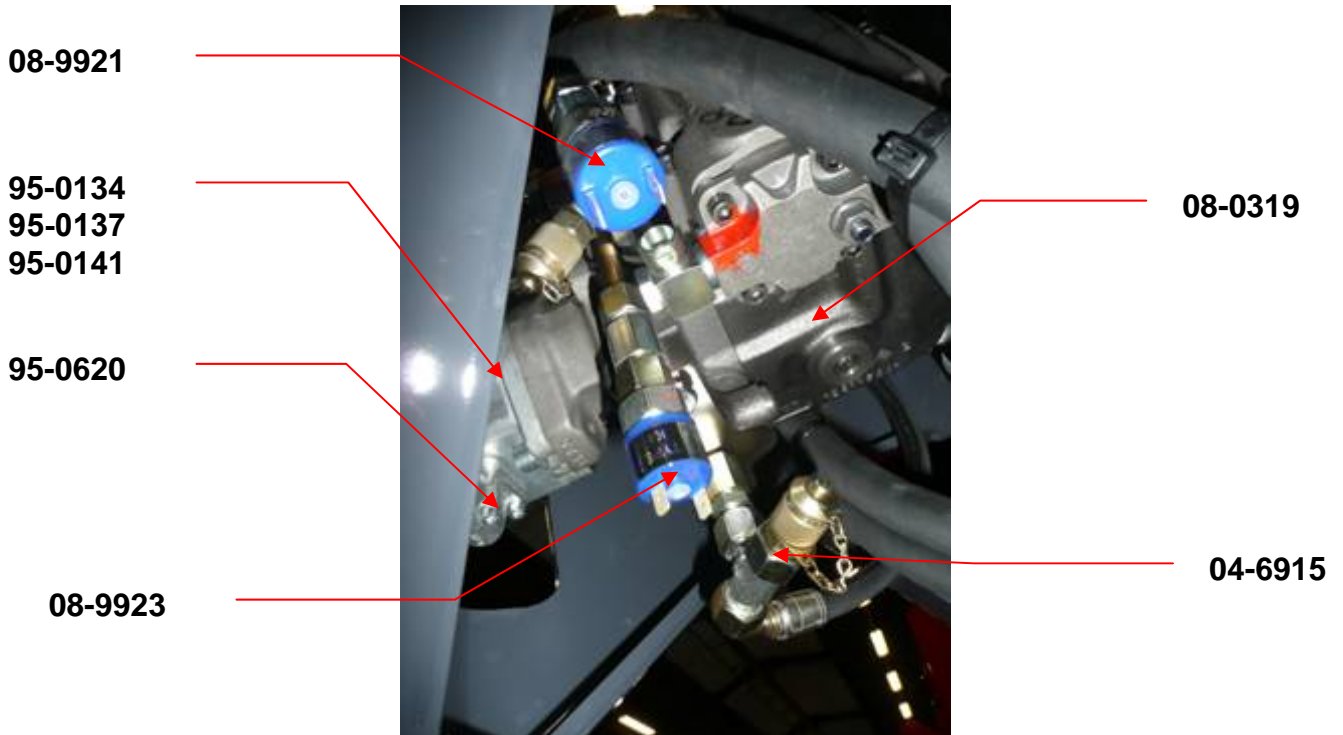
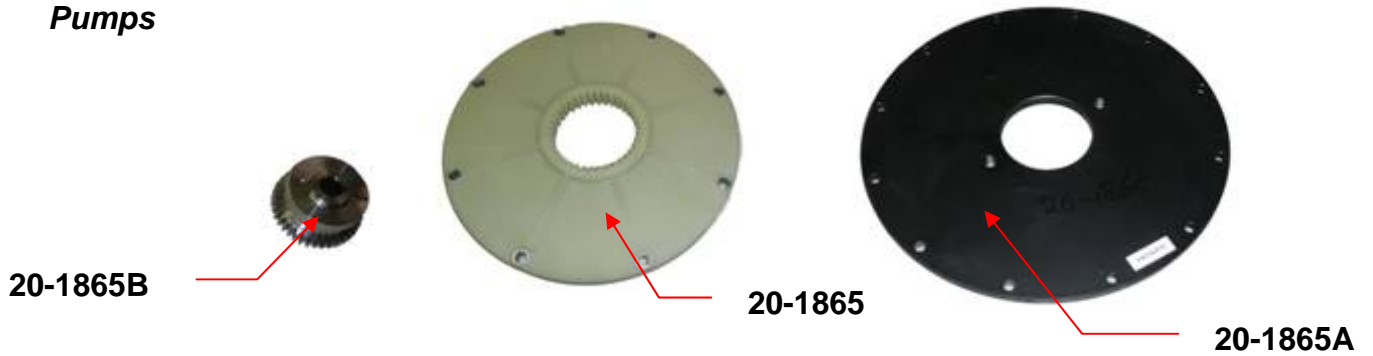


| Partcode | Disription |
|-----------|---|
| 14-0615 | Door handle without keylock R |
| 16-9905 | Aerial |
| 28-0604 | Rear window left hand(Cabin 1100-1300) |
| 28-0627 | Rear window midsection(only Cabin 1300) |
| 28-0605 | Rear window right hand(Cabin 1100-1300) |
| 28-0949 | Door mirror (low) C-1100+1300 R |
| 28-1242 | Sliding window C-1100+1300 R |
| 28-9915 | Side screen C-1100+1300 L |
| 28-9916 | Side screen C-1100+1300 R |
| 36C-5570L | Door L Cabine 1100 |
| 36C-5570R | Door R Cabine 1100 |
| 36C-5617 | Bracket for rotation light |



2 Hydraulics

2.1 Pumps



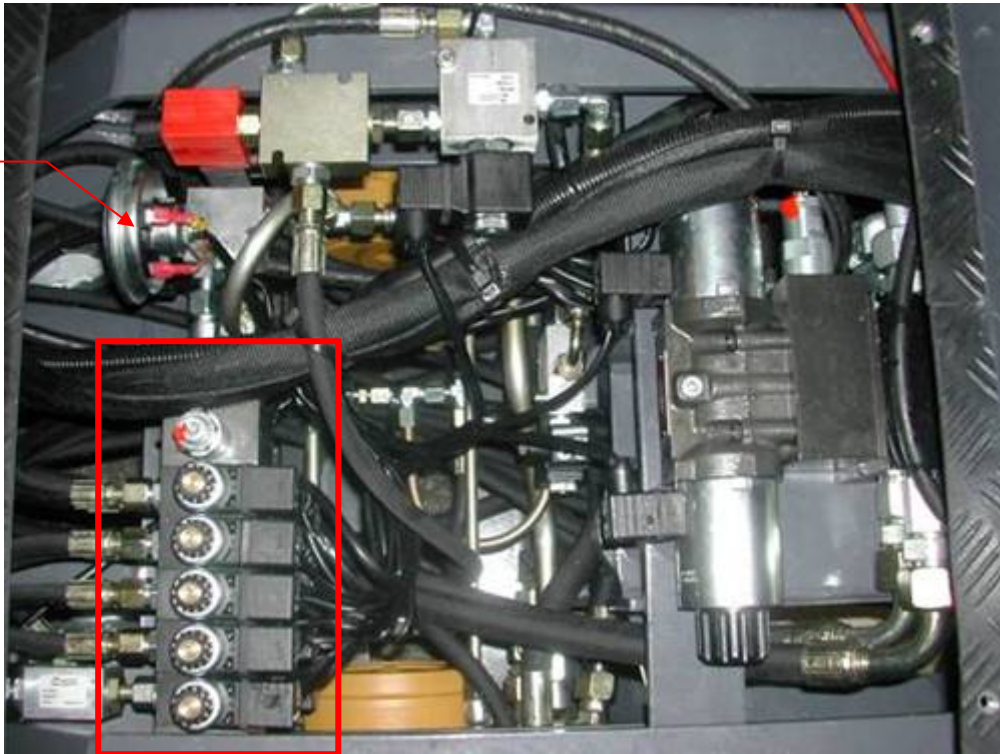


| Partcode | Disription |
|----------|---|
| 04-6915 | Minimes coupler |
| 08-9921 | Presure switch IP 30-350 bar Brake light |
| 08-9923 | Presure switch IP 0-2 bar Backing light, tempomat |
| 08-0319 | Driving-pump DM-Trac |
| 08-0403 | Scavenging valve |
| 20-1865 | Coupling Engine side Ø315mm |
| 20-1865B | Coupling Pump inside |
| 20-1865A | Backplate John Deere Engine |
| 95-0134 | Gear pump 25cc SAE-A (PTO)< XL9DMTRAC70135881 |
| 95-0137 | Gear pump 26cc SAE-B (PTO)> XL9DMTRAC70135881 |
| 95-0141 | Gear pump 6cc |
| 95-0606 | Pump flange 30 x 3/8" < XL9DMTRAC70135881 |
| 95-0607 | Pump flange 30 x 1/2" 1P4gats > XL9DMTRAC70135881 |
| 95-0608 | Pump flange 30 x 1/2" < XL9DMTRAC70135881 |
| 95-0609 | Pump flange 35 x 1/2" > XL9DMTRAC70135881 |
| 95-0620 | Pump flange 40 x 3/4 4xM6 > XL9DMTRAC70135881 |
| | |
| | |
| | |



2.2 Functions Implement and Front-lift

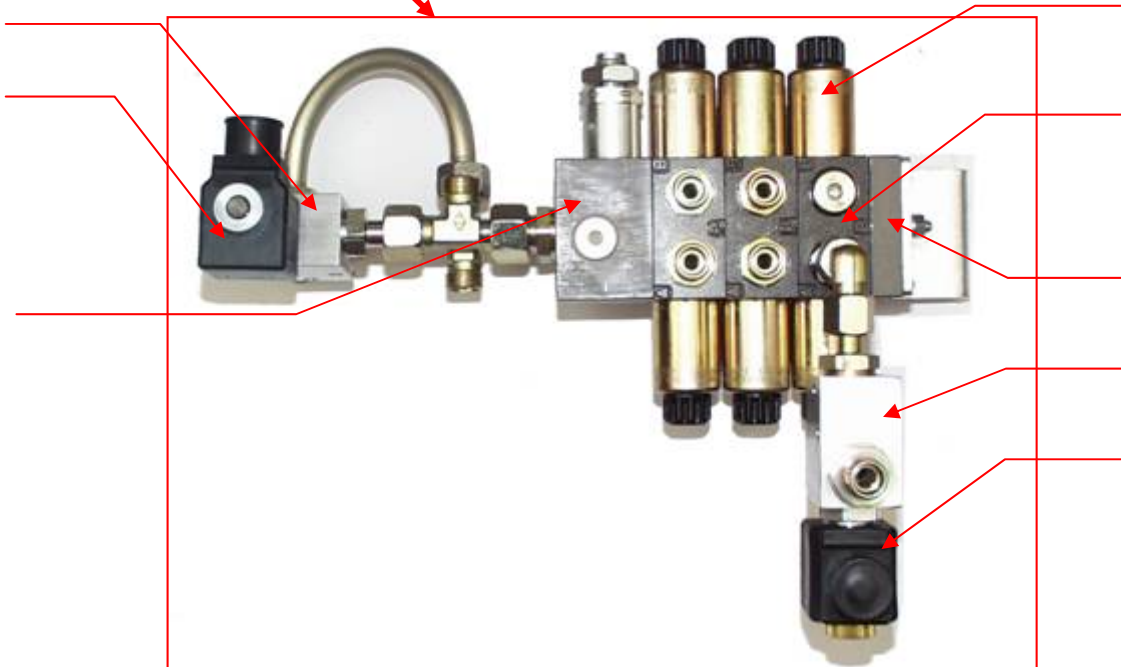
14-9939



08-1219

08-1217

08-2302



08-2298

08-2300

08-2303

08-1218

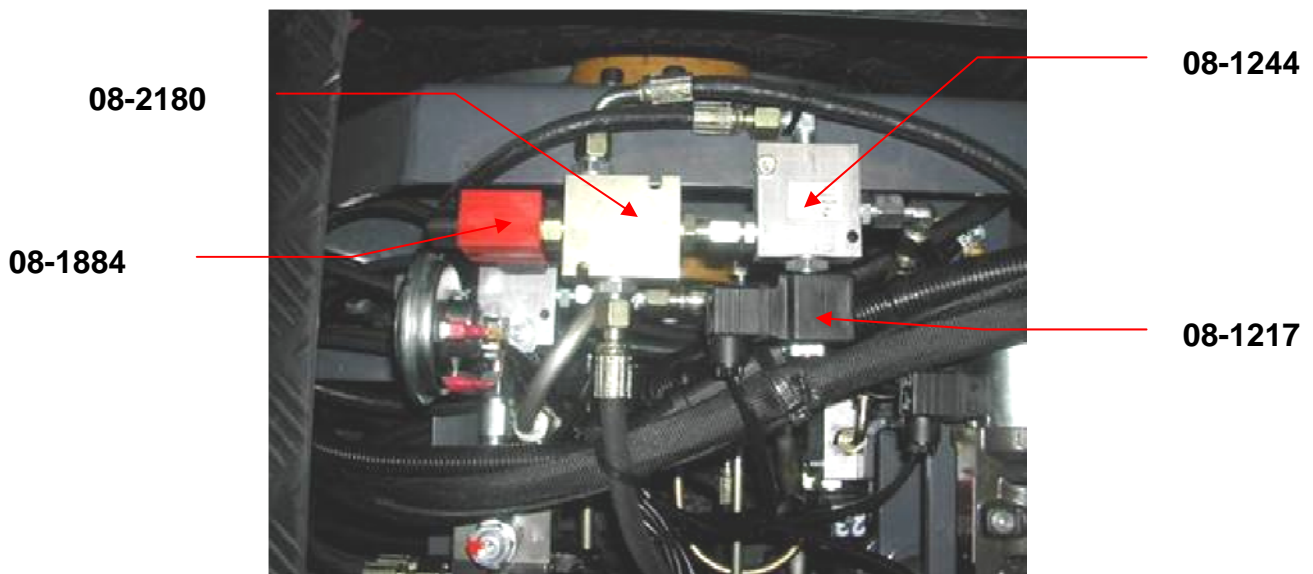
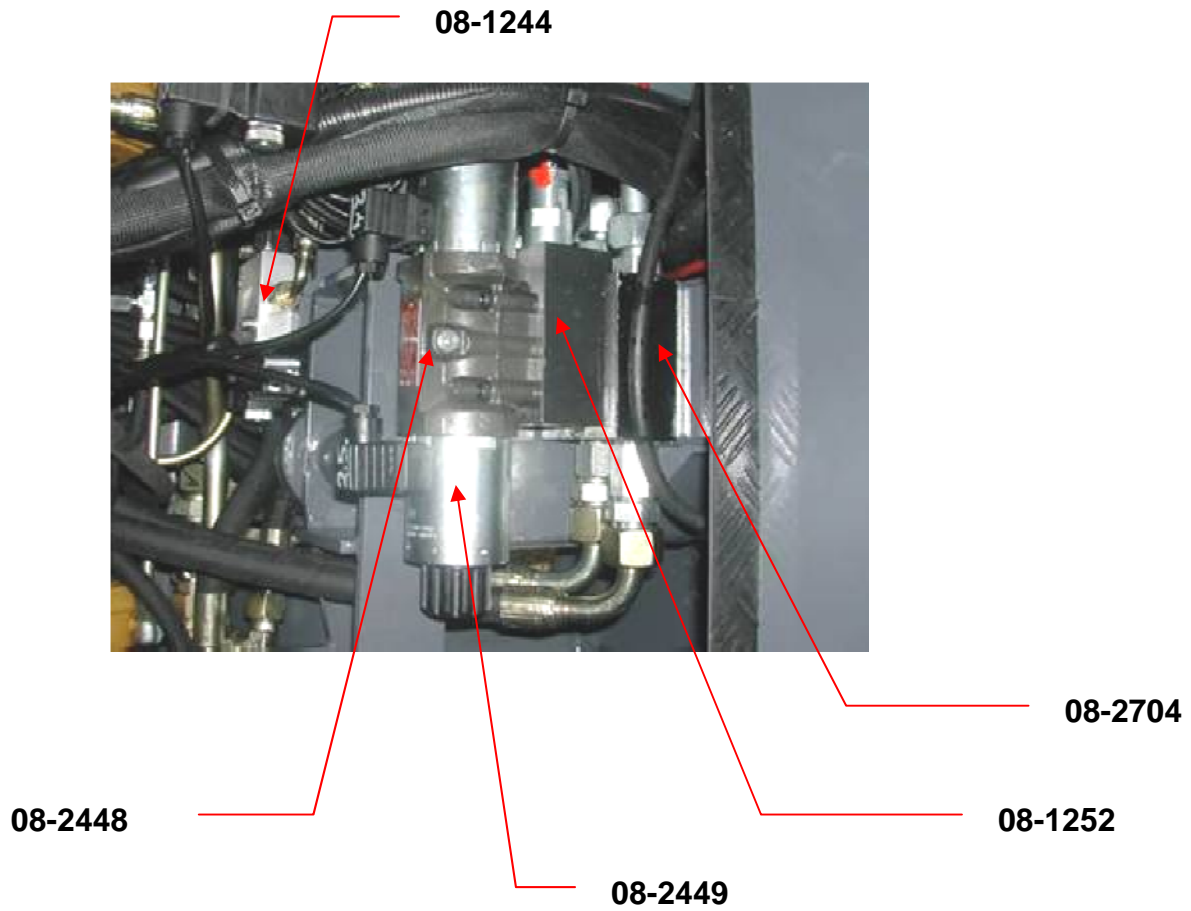
08-1217



| Partcode | Disription |
|----------|---------------------------------|
| 08-1217 | Coil 2/2 valve 12VDC |
| 08-1218 | Valve 2/2 NC 12VDC (frontlift) |
| 08-1219 | Valve 2/2 NO 12VDC |
| 08-2298 | Coil Valve NG3 12VDC |
| 08-2300 | Valve 4/3 12VDC NG3 |
| 08-2302 | Mountingplate incl. reliefvalve |
| 08-2303 | Endplate Valve NG3 |
| 14-9939 | Horn |



2.3 PTO Implement





| Partcode | Disription |
|----------|----------------------------|
| 08-1252 | Relief valve |
| 08-2448 | Valve 4/3 12VDC NG10 (PTO) |
| 08-2449 | Coil Valve NG10 12VDC |
| 08-2730 | Mountingplate NG10 |
| 08-1244 | Valve braking system |
| 08-2180 | Prop valve Tempomat |
| 08-1884 | Spoel 12V 30W |
| 08-1244 | Valve on/of tempomat |
| 08-1217 | Spoel 12V |
| | |
| | |



2.4 Steering System



11-1528



11-0642

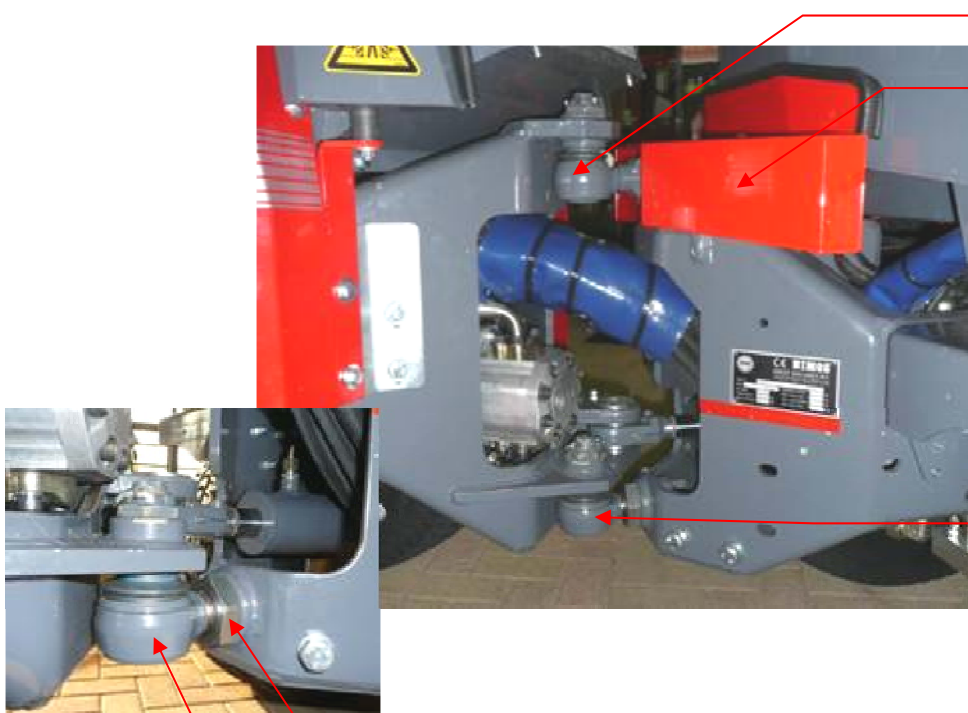
11-1306



08-3910



36C-5230



34-9955

36-xxxx

38-2427

24-2489

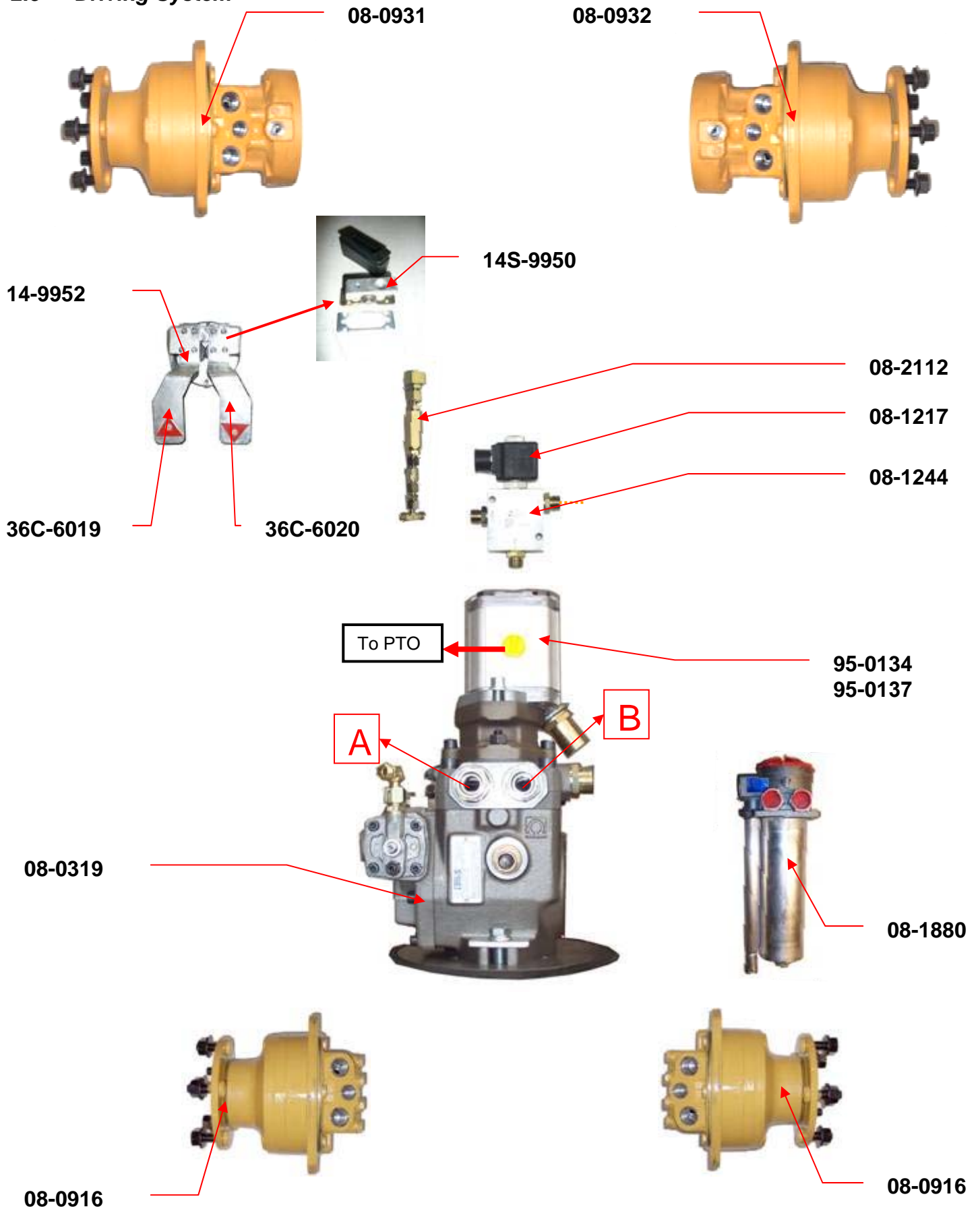
38-2427



| Partcode | Disription |
|----------|-------------------------------|
| 08-3910 | Orbitrol OSPC 125LS+Prio |
| 11-0642 | Steering cylinder DM-Trac 406 |
| 11-1306 | Sealkit steering cylinder |
| 11-1528 | Ball joint end |
| 36C-5230 | Pin ø35mm pitching |
| 38-2427 | Fusee pivot point |
| 34-9955 | Fusee kit pivot point |
| 24-2489 | Counter nut |
| 36-xxxx | Cover for stabiliser |
| | |
| | |



2.5 Driving System



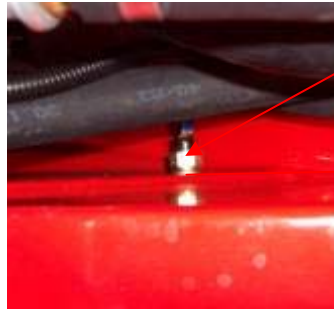


| Part code | Description |
|-----------|---|
| 08-0319 | Driving-pump DM-Trac |
| 08-0932 | Wheel-motor front right |
| 08-0931 | Wheel-motor front left |
| 08-0916 | Wheel-motor rear |
| 08-1217 | Coil for cartridge valve 12VDC |
| 08-1244 | Valve 3/2 12VDC (brake system) |
| 08-1880 | Hydraulic filter (suction/return) |
| 08-2112 | Check valve |
| 14-9952 | Driving pedal DM-Trac (double) |
| 95-0134 | Gear pump 25cc (PTO) < XL9DMTRAC70135881 |
| 95-0137 | Gear pump 26cc (PTO) > XL9DMTRAC70135881 |
| 14S-9950 | Bracket kit for driving pedal left or right |
| 36C-6019 | Driving pedal left side |
| 36C-6020 | Driving pedal right side |
| 08-0937 | Seal kit for brake section wheel motor |



3 Reservoirs and Cooling

3.1 Hydraulic-oil tank



08-3621



08-4812



08-1885

08-4506

08-1880



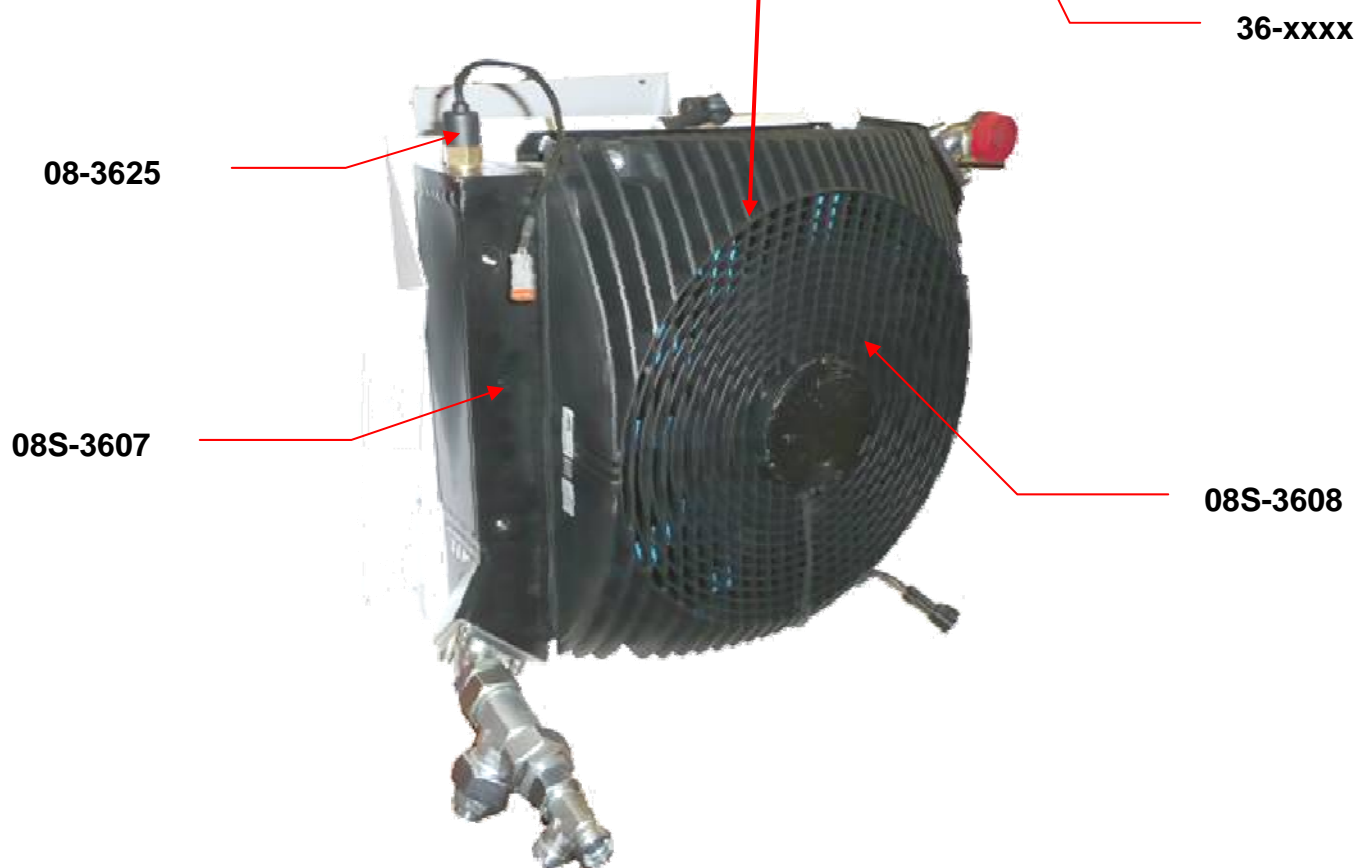
22-0937



| Partcode | Disription |
|----------|--|
| 08-1880 | Hydraulic filter complete (suction/return) |
| 08-1885 | Hydraulic filter element |
| 08-3621 | Temperature switch oil-tank |
| | |
| 08-4506 | Gauge glass |
| 08-4812 | Filler/Breather filter 7 mu |
| 22-0937 | Striping DM-Trac 406 Comfort |



3.2 Oil-Cooler





| Partcode | Disription |
|----------|-------------------------------|
| 08S-3607 | Oil-cooler DM-Trac 406 |
| 08-3625 | Temperature switch oil-cooler |
| 08-4812 | Filler/Breather filter 7 mu |
| 08S-3608 | Cooler fan complete |
| 08-4506 | Gauge glass |
| 36-xxxx | Oil-cooler protection |
| 36-xxxx | Oil cap lock |



3.3 Fuel tank and Battery

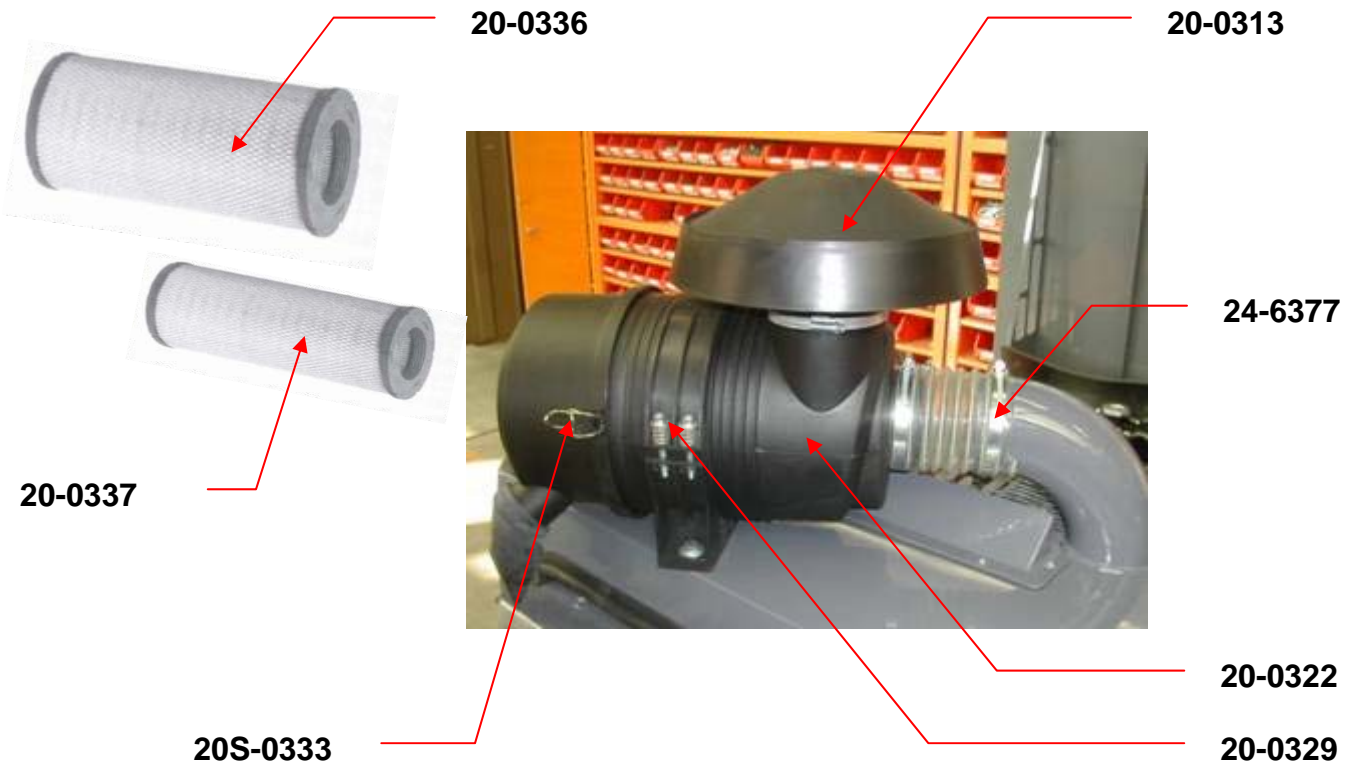
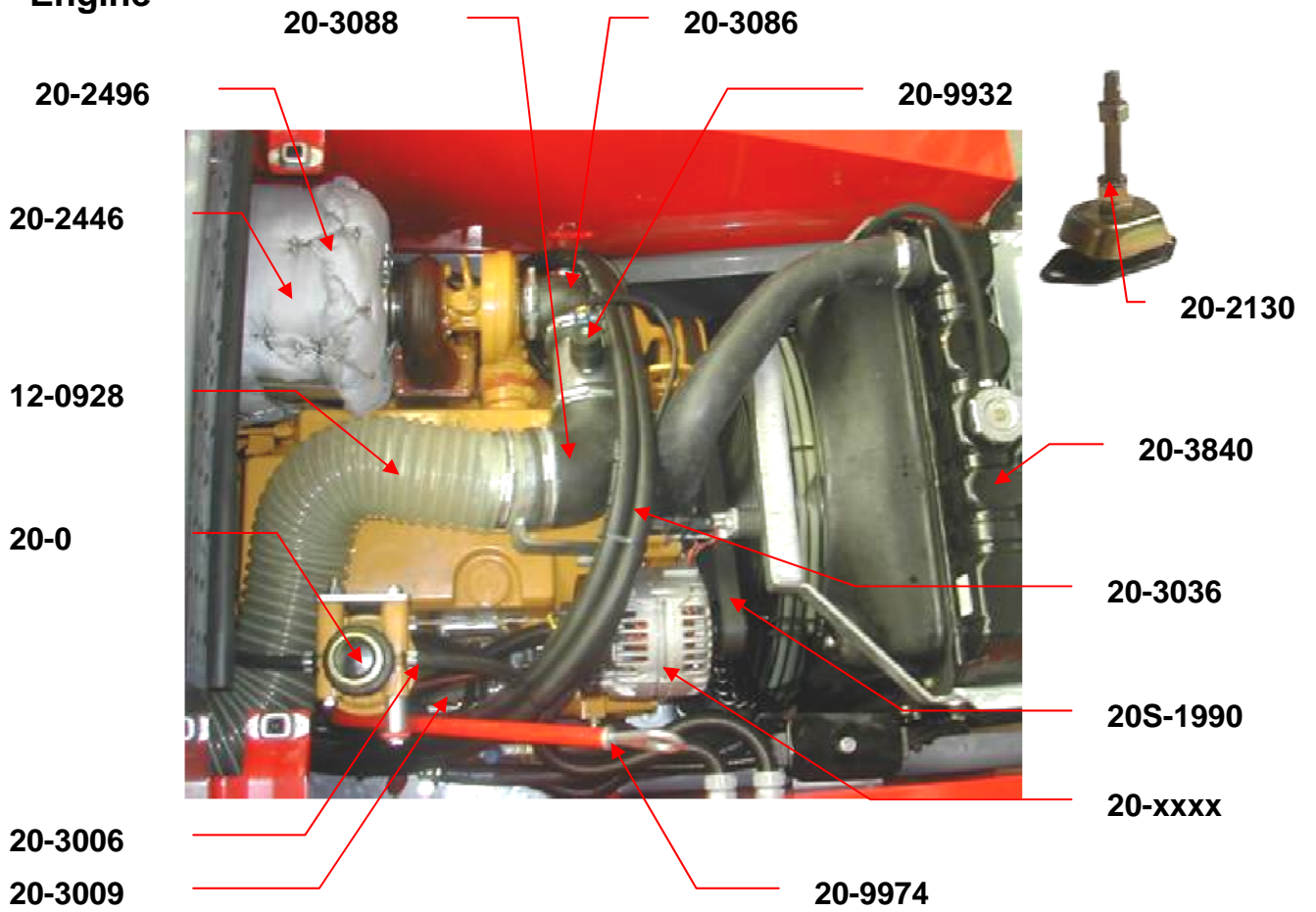




| Partcode | Disription |
|----------|--------------------------|
| 08-4807 | Breather filler TR2 |
| 16-9951 | Battery 12V-92Ah/750A |
| 16-9944 | Battery-terminal clamp - |
| 16-9946 | Battery-terminal clamp + |
| 20-9939 | Tank transmitter |
| 36C-5100 | Battery cover DM-Trac |
| 22-0937 | Striping DM-Trac 406 |

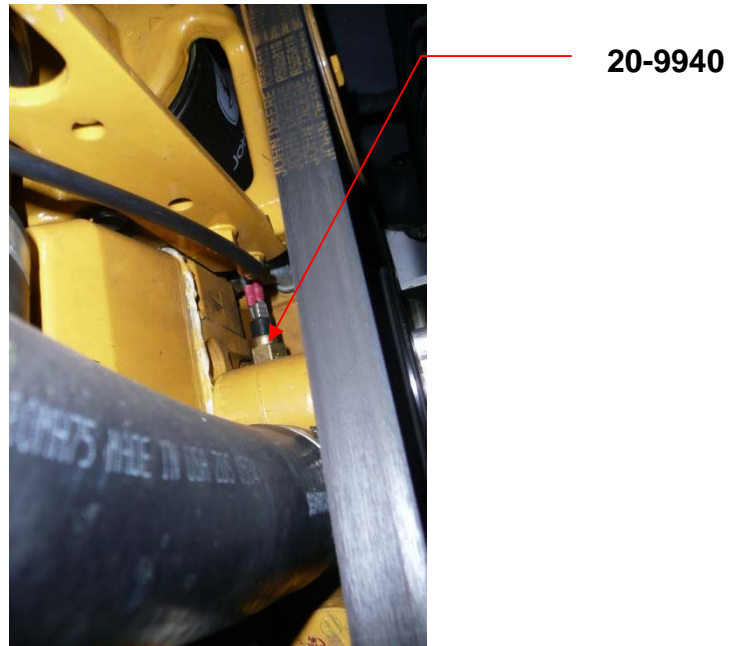
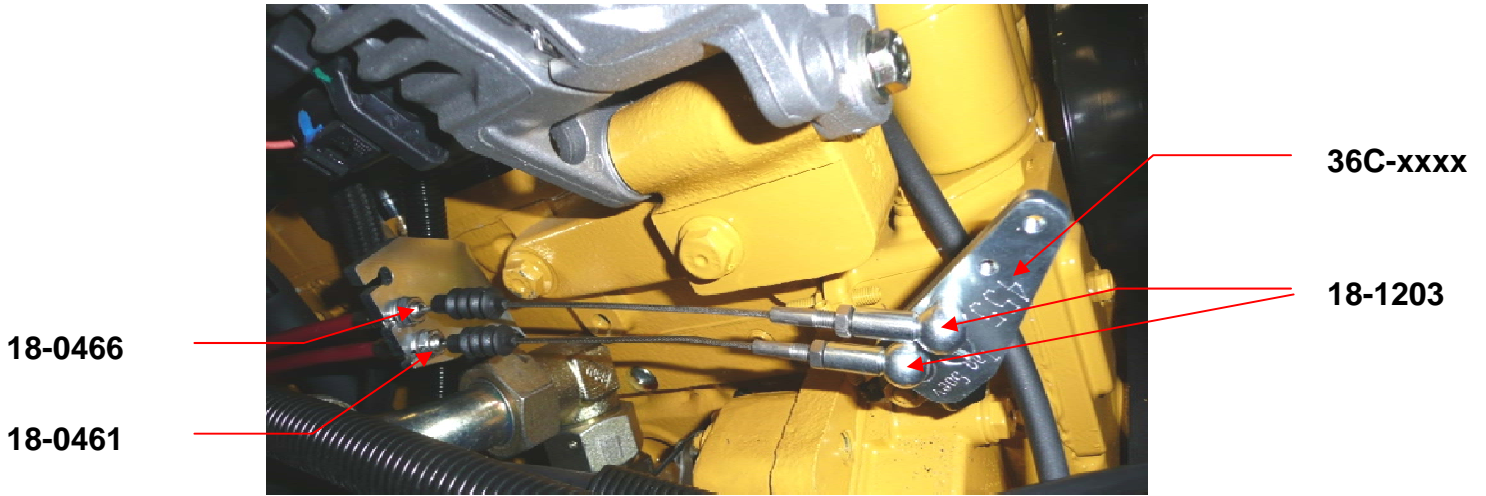


4 Engine





| Partcode | Disription |
|----------|----------------------------------|
| 20-0336 | Air filter insert filter element |
| 20-0337 | Air filter insert safety element |
| | |
| 20-3006 | Fuel hose RM 6 |
| 20-3009 | Fuel hose RM 8 |
| 20-3036 | Water hose 16mm |
| 12-0928 | Air hose 90mm |
| 24-6377 | Air hose clamp |
| 20-0322 | Air filter complete |
| 20-0329 | Air filter holder |
| 20s-0333 | Clip for filter cap |
| 20-2446 | Exhaust silencer |
| 20-2496 | Isolation set |
| 20-3840 | Radiator |
| 20S-1990 | Multi V-belt |
| | |
| | |



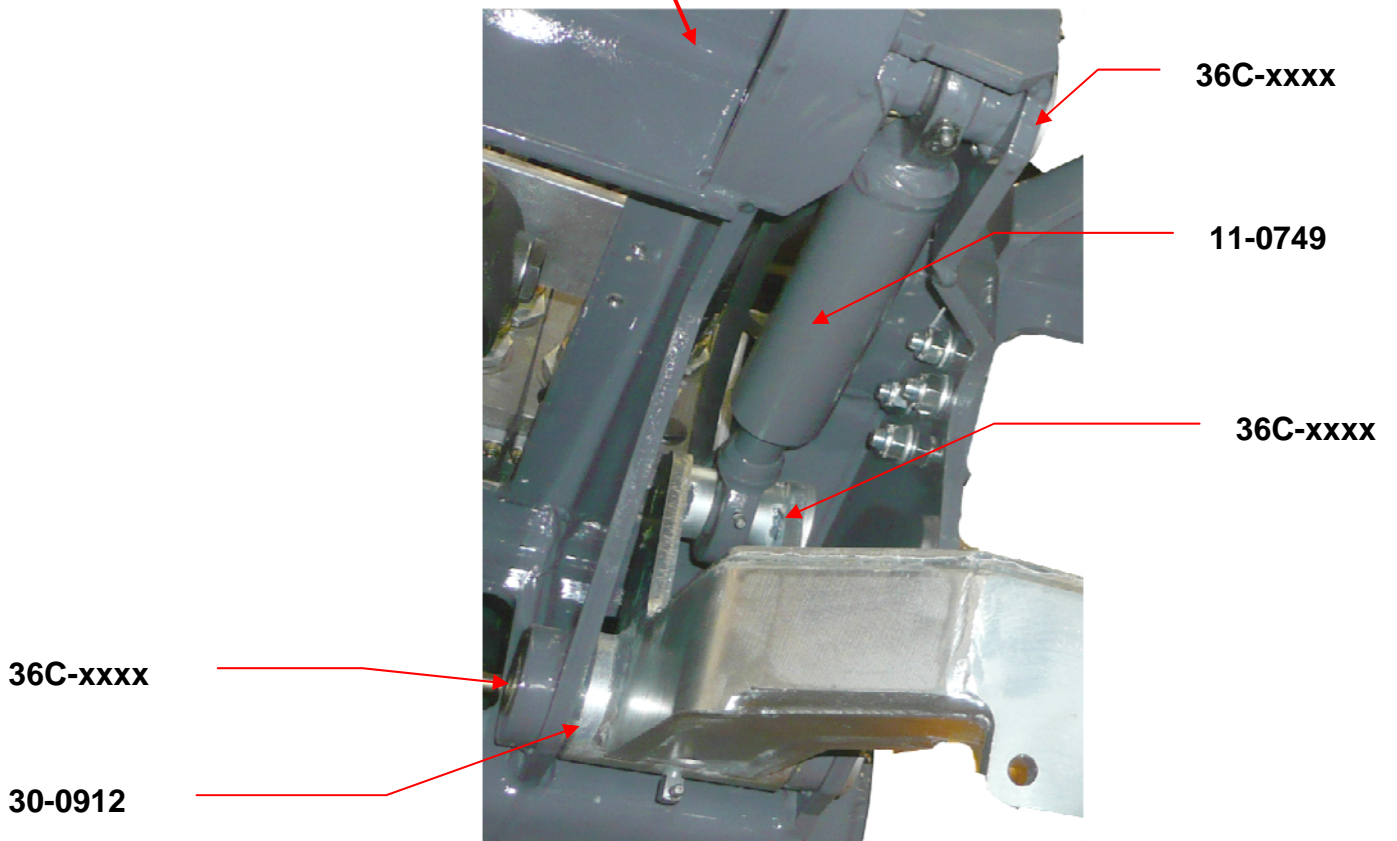
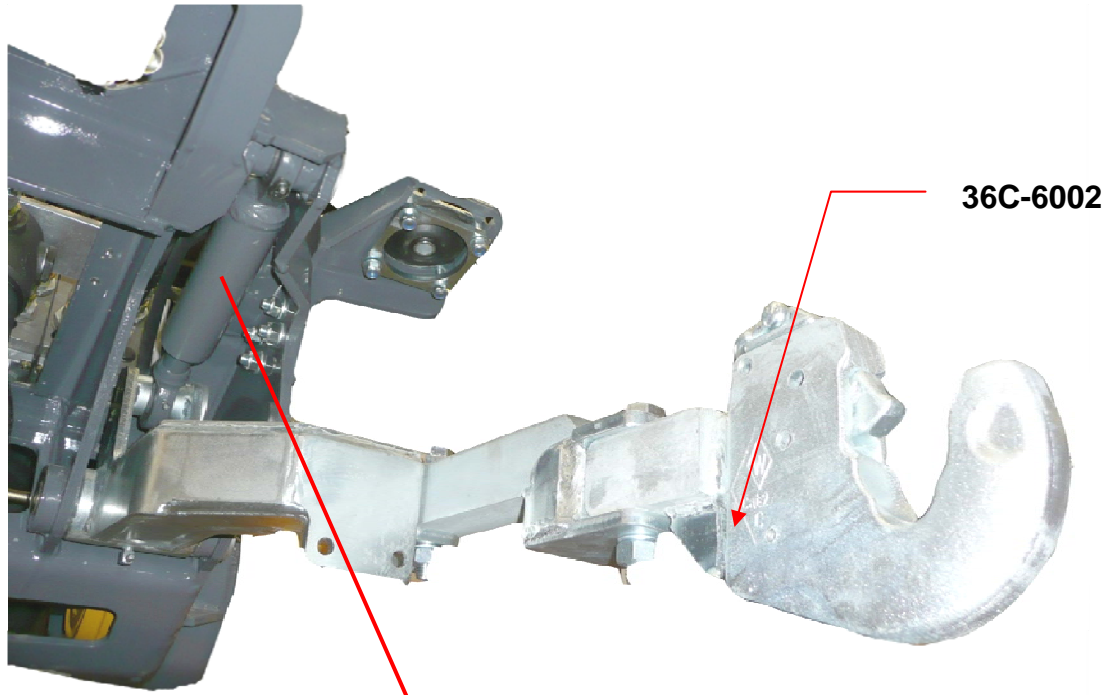


| Partcode | Disription |
|----------|--------------------------------|
| 18-0462 | Accelerator cable (hand) |
| 18-0463 | Accelerator cable (foot) |
| 18-1203 | Coupling ball M5 |
| 20-9940 | Watertemperature sensor+switch |
| 36c-xxxx | Bracket for fuel pump lever |



5 Chassis

5.1 Chassis Front and Front-lift

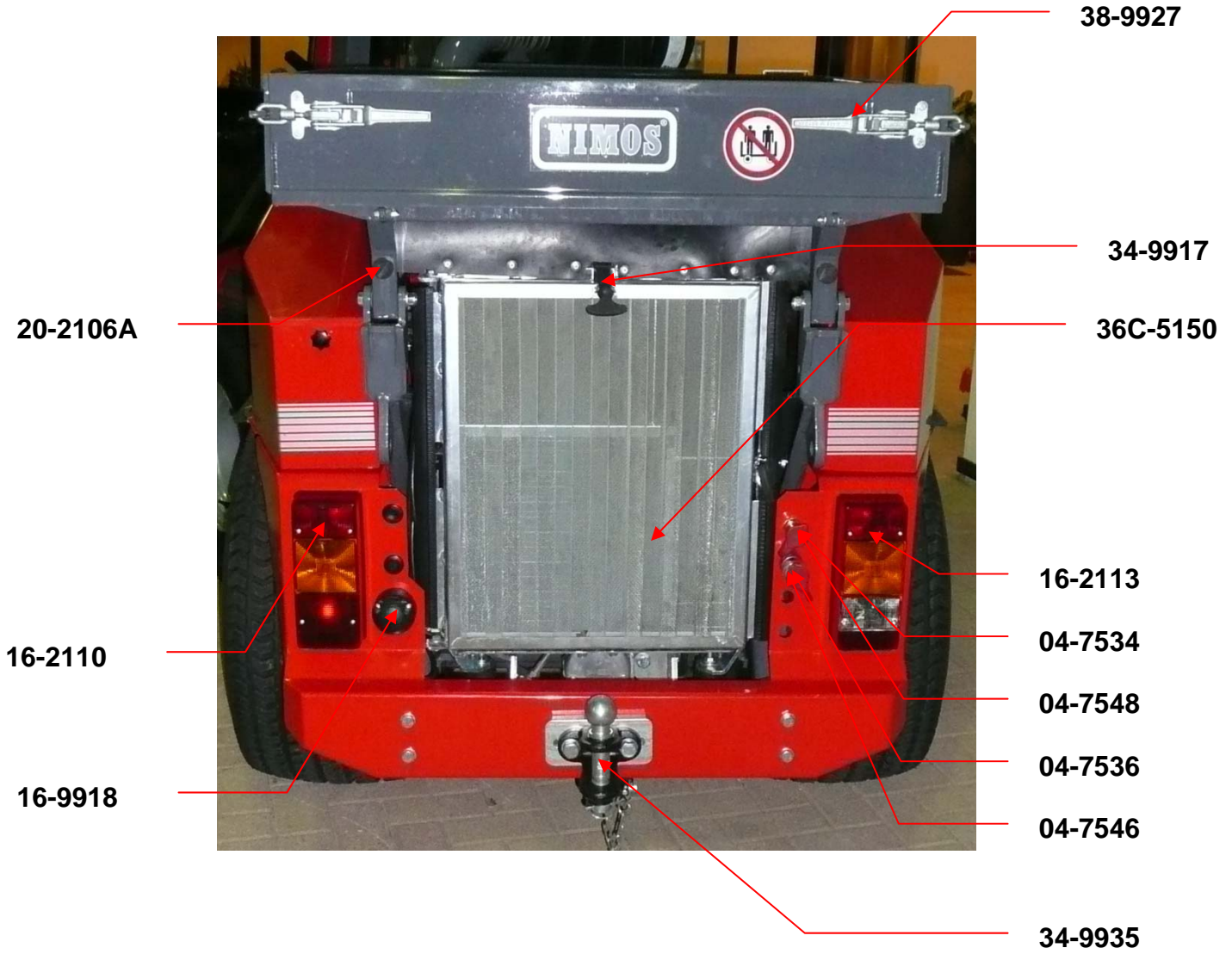




| Partcode | Disription |
|-----------|--------------------------------|
| 36-2150 | A-Frame construction |
| 11-0749 | Frontlift cylinder DM-Trac 406 |
| 11-1303 | Seal kit for 11-0749 |
| 11-1803 | Air-breather filter |
| 36C-6002 | Lift hook Cat 1/2 |
| 34-9951 | Coupling Ball Cat 2 |
| 34-9952 | Bushing Cat 2>1 |
| 30-0912 | Sliding bearing |
| 36C-xxxx | Pin ø20 mm lift-arm |
| 36C-xxxx | Pin ø30 mm lift-arm |
| 36C-6600L | Liftarm L DM-Trac 406 |
| 36C-6600R | Liftarm R DM-Trac 406 |
| | |
| | |



5.2 Chassis Rear

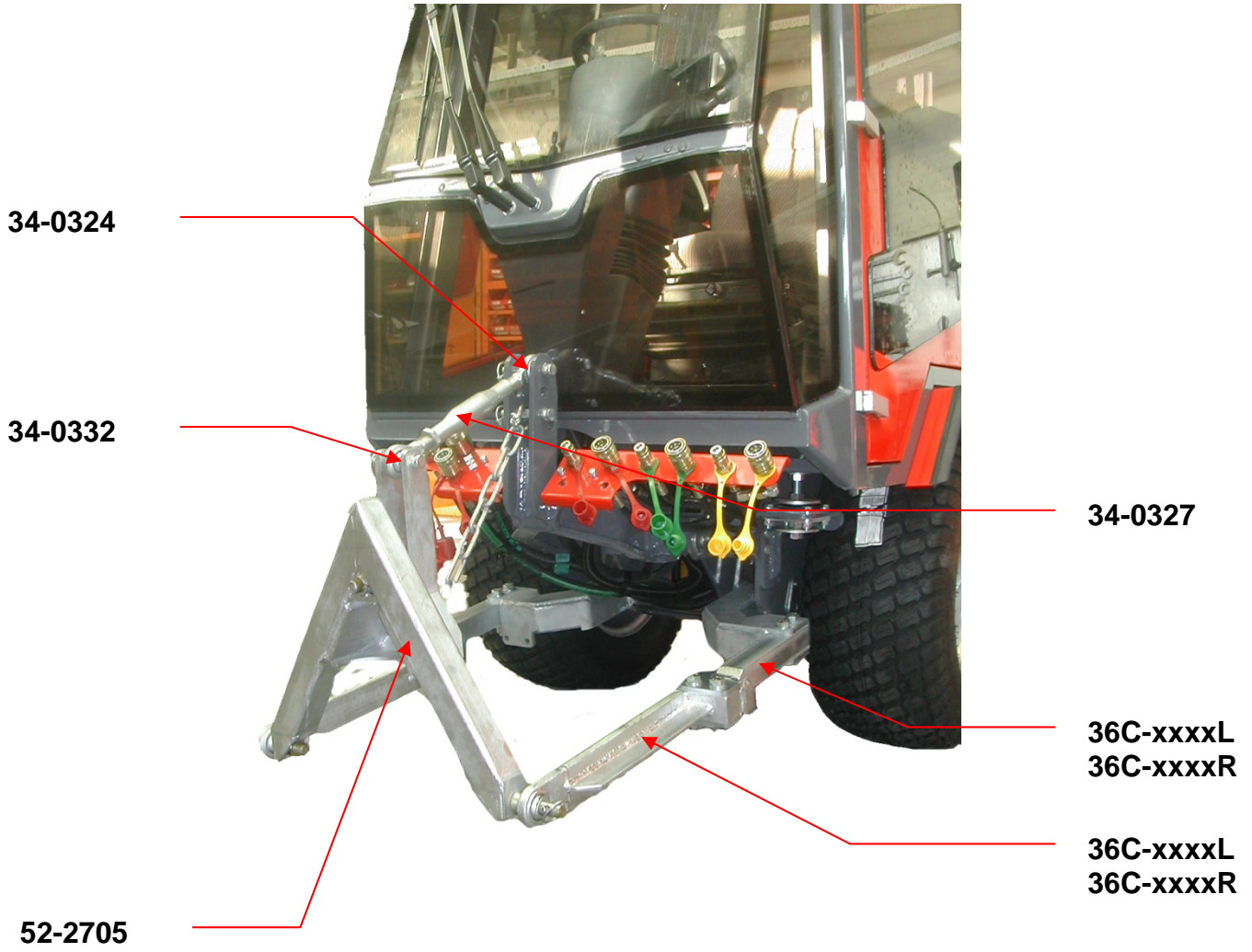




| Partcode | Disription |
|----------|-----------------------------|
| 04-7534 | Quick coupling male 1/2" |
| 04-7536 | Quick coupling female 1/2" |
| 04-7546 | Dust plug 1/2 |
| 04-7548 | Dust cap 1/2 |
| 16-2110 | Rear-combination light L |
| 16-2111 | Rear-light cover Left |
| 16-2113 | Rear-combination light R |
| 16-2114 | Rear-light cover Left |
| 16-9918 | Coupling plug 7pole (light) |
| 20-2106A | Damper body |
| 34-3910 | Lock for tipping-box |
| 34-9935 | Rear coupling DM-Trac |
| 36C-5151 | Grill Radiator DM-Trac 406 |
| 38-9927 | Lock |



5.3 A-Frame





| Partcode | Disription |
|-----------|--------------------------|
| 34-0324 | Top link pin 19mm |
| 34-0332 | Top link pin 22mm |
| 36-2150 | A-frame 406 Comfort |
| 34-0327 | Top link A-frame |
| 34-3018 | Support chain |
| 36C-xxxxL | Lift arm left |
| 36C-xxxxR | Lift arm right |
| 36C-xxxxL | Lift arm extension left |
| 36C-xxxxR | Lift arm extension right |
| 36C-xxxxL | A-frame extension |
| 36C-xxxxR | A-frame extension |



6 Fast Moving Parts

| Partcode | Disription |
|----------|---|
| 08-4812 | Filler/Breather filter 7 mu |
| 08-1885 | Hydraulic filter element (suction/return) |
| 16-4227 | Fuse 10A |
| 16-4230 | Fuse 25A |
| 18-0462 | Accelerator cable (hand) |
| 18-0463 | Accelerator cable (foot) |
| 20-0638 | Air filter cartridge cabine 1100 (2x) |
| 20-0637 | Air filter cartridge cabine 1300 (2x) |
| 20-0921 | Oil filter JD4024 |
| 20-1228 | Fuel filter JD4024 |
| | |
| | |

