



Parts Manual KM5V



Parts_Manual_KM5+7V_EN_10

Drost Machines BV
Utrechtsestraatweg 204
3911 TX RHENEN

Ordering parts:

Tel: 0031 317 650 350
Fax: 0031 317 650 351
E-mail: parts@nimos.nl
Website: www.nimos.nl





Parts Manual 5+7 Gang Reel Mower



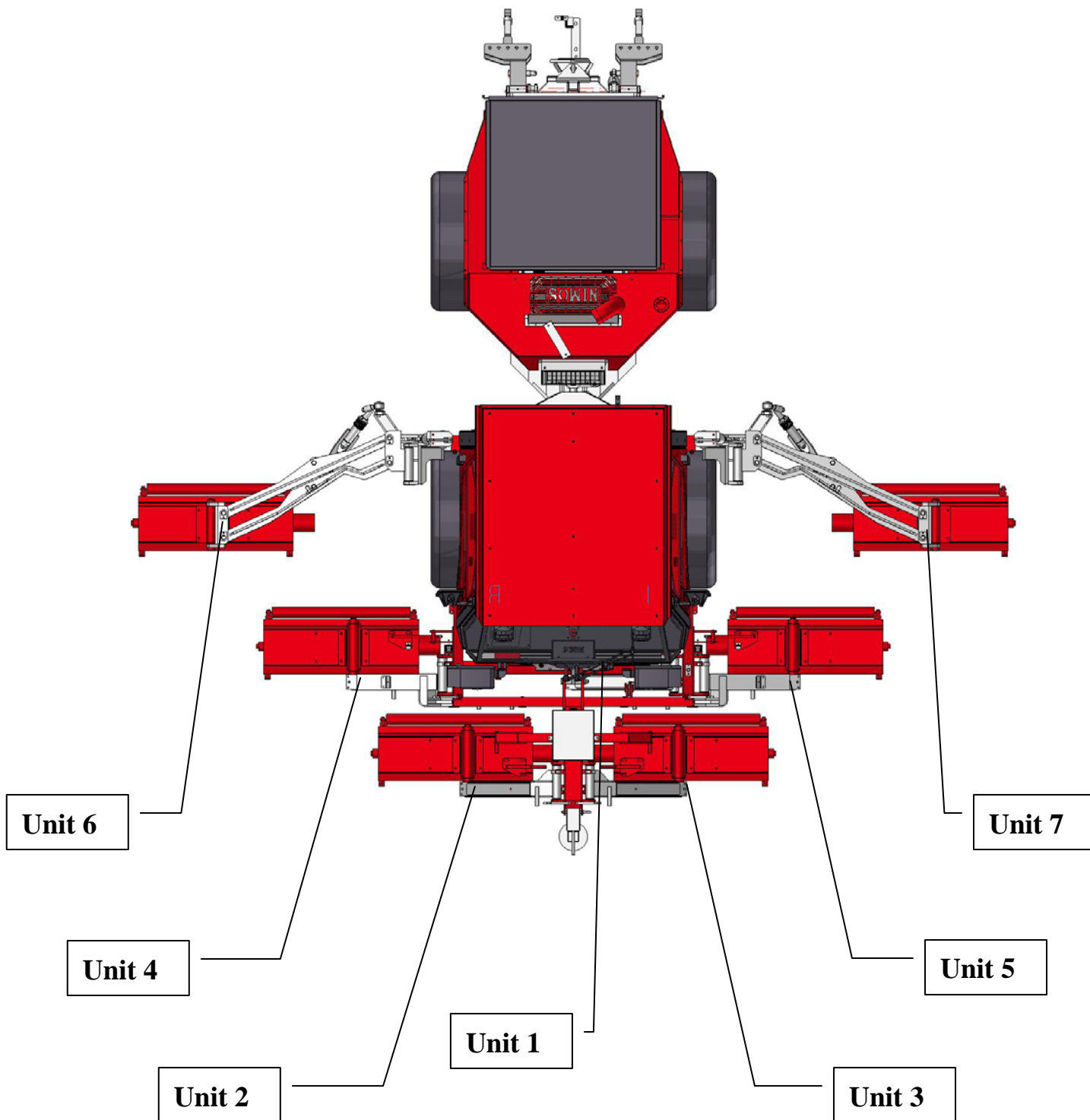


I. Index Parts Manual Reel mower 5V+7V

I.	Index Parts Manual Reel mower 5V+7V	3
II.	Overview DM-Trac 406/408+Kooimaaier 5V/7V	4
III.	Hydraulic Parts.....	7
IV.	Main frame Parts.....	9
V.	Lifting arm Unit 1.....	11
VI.	Liftingarms Unit 2+3 4+5.....	13
VII.	Spare Parts Cuttingunit.....	14

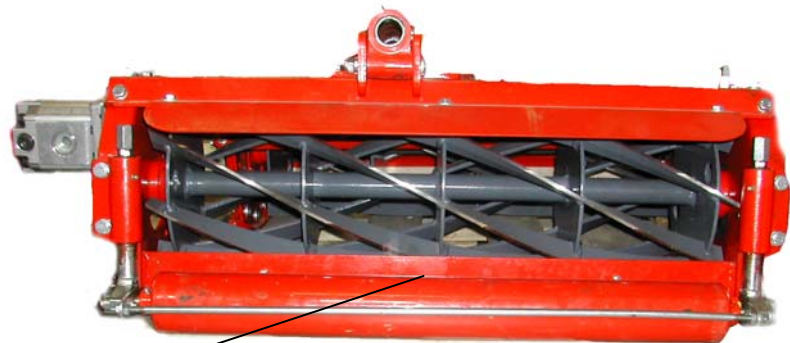


II. Overview DM-Trac 406/408+Kooimaaijer 5V/7V





Artikel	Omschrijving	Aantal
	5 gang mower	
36-3703	Cutting Unit complete Right Unit 1,3,5	3
36-3706	Cutting Unit complete Left Unit 2,4	2
	7 gang mower	
36-3703	Cutting Unit complete Right Unit 7	1
36-3706	Cutting Unit complete Left Unit 6	1



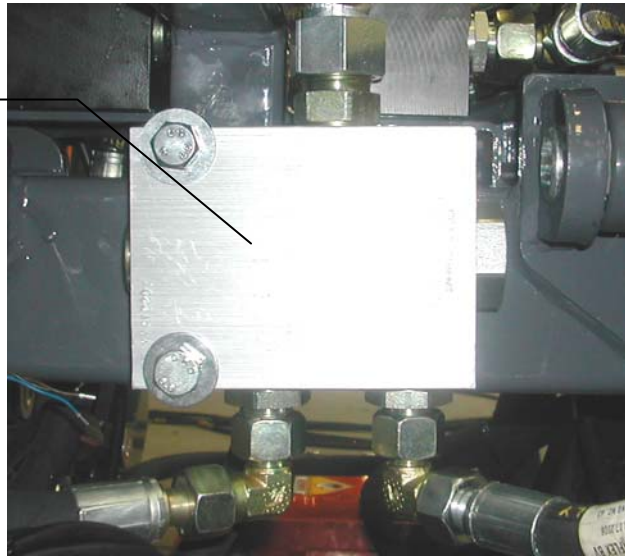
36-3706



36-3703



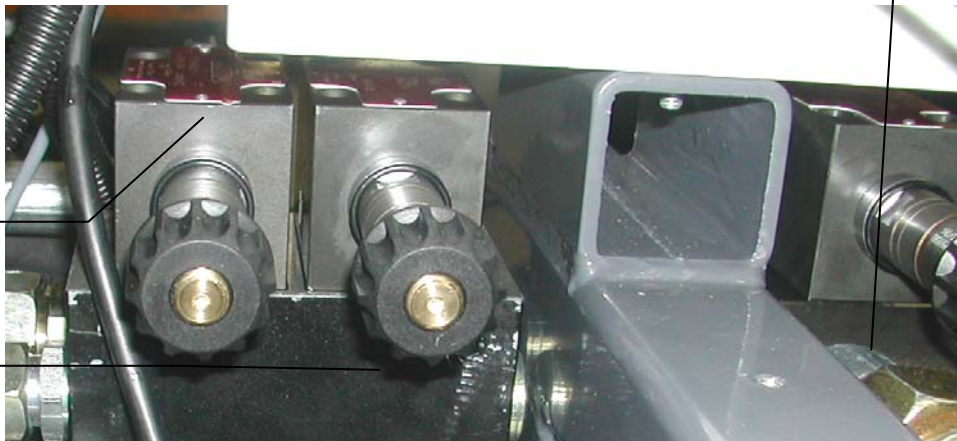
08-1214



08-2705

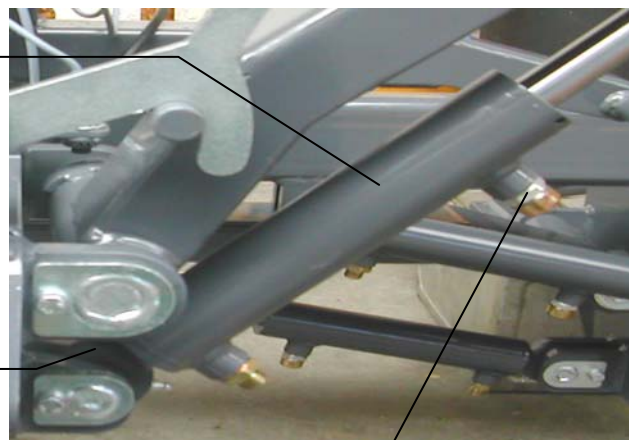
08-2428

08-2708



36c-7001

11-1512



11-1806

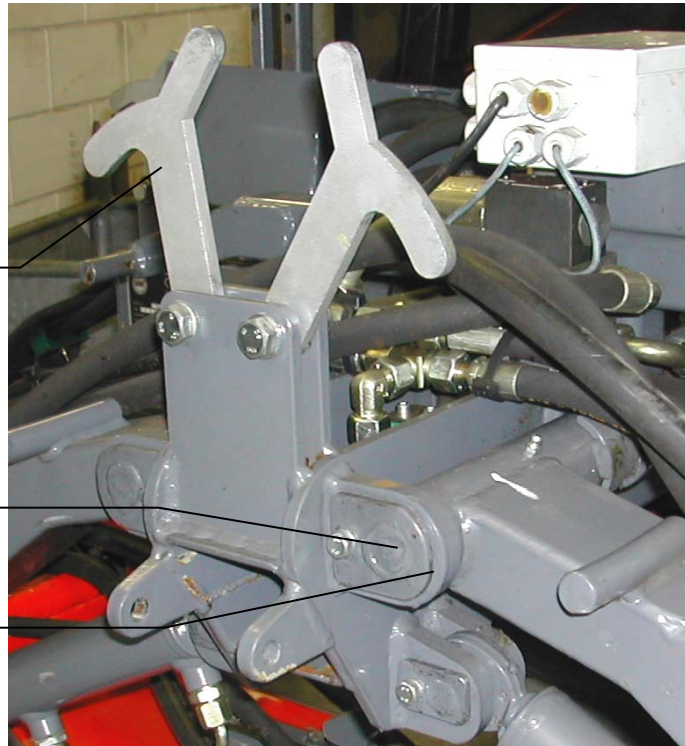


16-0621



III. Hydraulic Parts

Artikel	Omschrijving	Aantal
06-9976	Hydraulic hose kit KM 5V	1
08-1214	Flow splitter	1
08-2428	Valve	3
08-2705	Valve manifold 1 pos.	1
08-2708	Valve manifold 2 pos	1
11-1806	Air breather	5
16-0621	Magnetic Sensor	4
36c-7001	Lift cylinder unit 2 t/m 5	5
11-1224	Seal kit	1
11-1512	Cylinder end	10

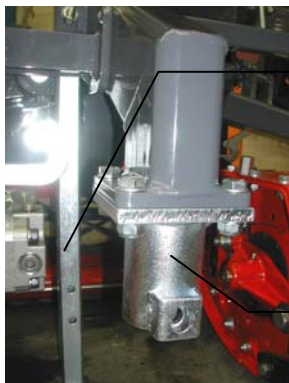


36c-7026

37L-1210-205

30-0912(2x)

37L-1210-175



37L-1210-155

36-0360A



36c-7035

Liftarm spacer



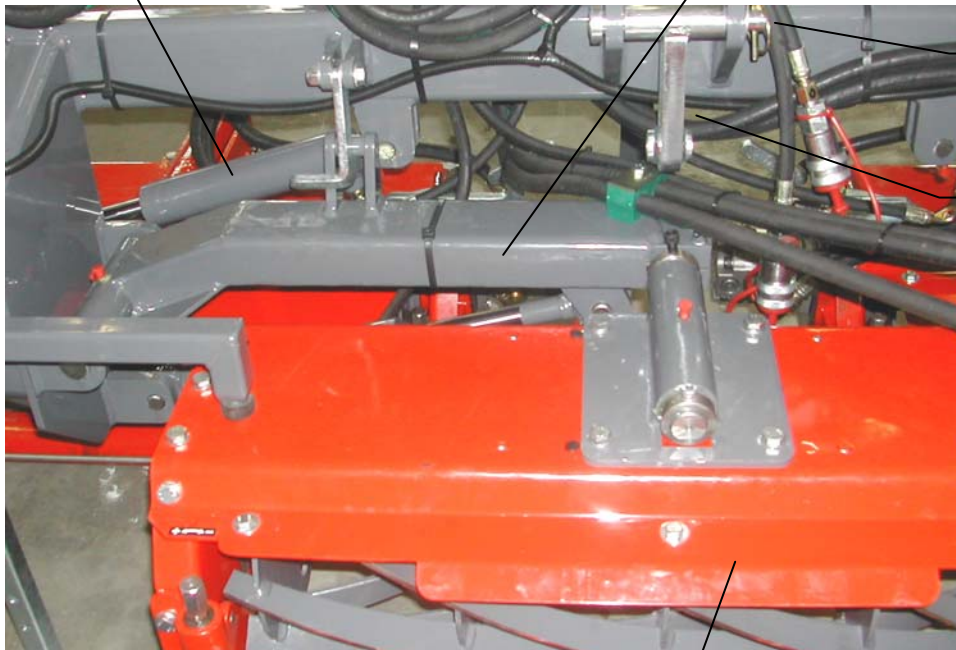


IV. Main frame Parts

Artikel	Omschrijving	Aantal
36c-7026	Transport hook for cutting unit	5
37L-1210-205	Pin for lift arm Unit 1 - 5	5
30-0912	Bushing for lift arms	10
36c-7035	Connecting rod for lifting arms	1
36-0380A	Bowl support	2
37L-1210-155	Support leg	2
37L-1210-160	Support leg adjustable	1
37L-1210-205	Hose support	2
37L-1210-070	Lift arm spacer Left	1
37L-1210-069	Lift arm spacer Right	1



36c-7001



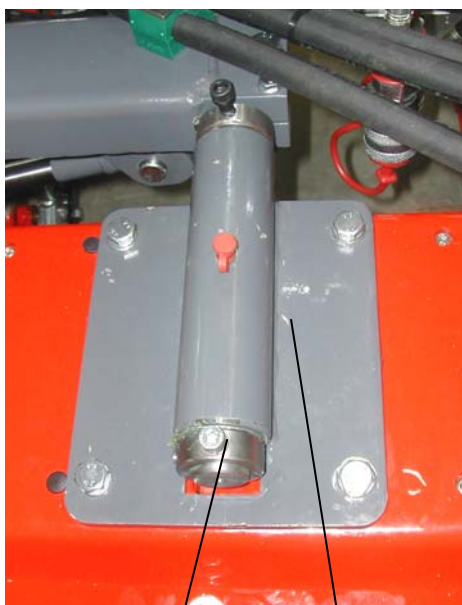
37L-1210-080

37L-1210-190

37L-1210-195

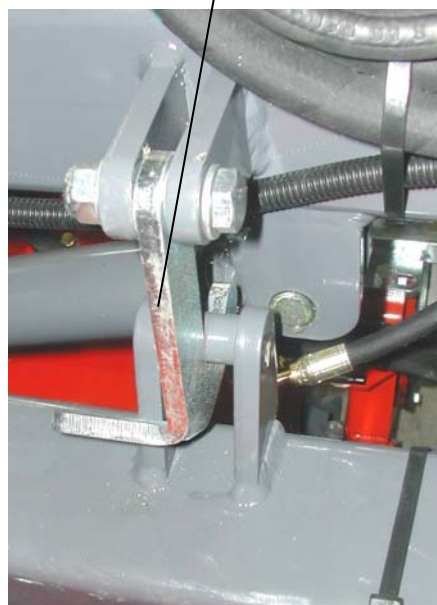
37S-1210-145

37S-1210-181



34-2424

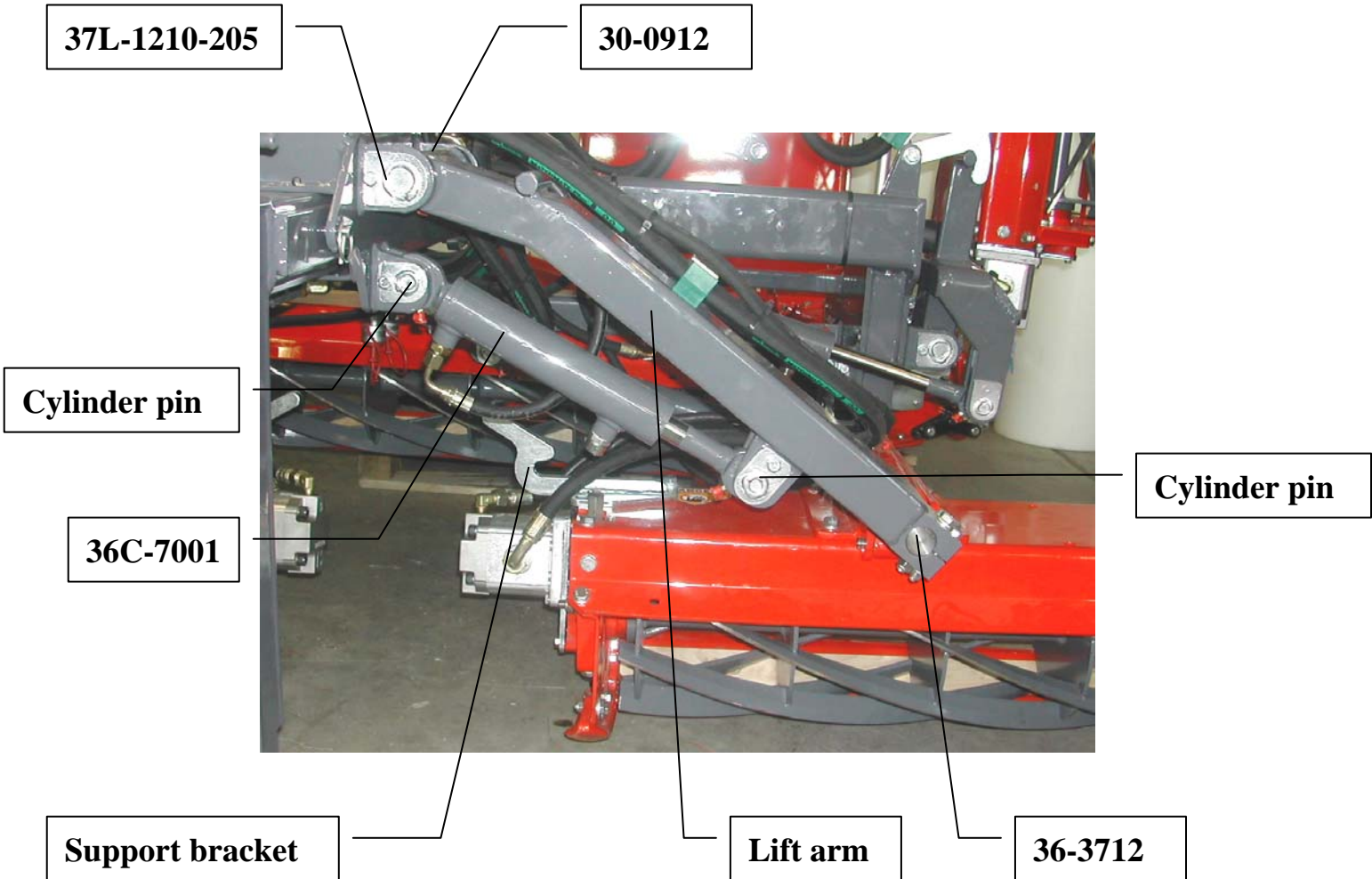
37L-1210-240





V. Lifting arm Unit 1

Artikel	Omschrijving	Aantal
36C-7001	Lift cylinder Unit 1 < S/N:XL9KM5V70135858	1
11-1224	Seal kit Cylinder	1
36C-7000	Lift cylinder Unit 1 > S/N:XL9KM5V70135858	1
11-1212	Seal kit Cylinder	1
37L-1210-215	Cylinder pin Frame side	1
37L-1210-220	Cylinder pin Unit side	1
37L-1210-080	Lifting arm Unit 1	1
37L-1210-240	Bracket for Unit support	1
37L-1210-190	Top link pin	1
37L-1210-195	Top link	1
37S-1210-145	Deflector plate Unit 1	1
36-3710	Support axle Unit 1	1
37S-1210-181	Transport hook Unit 1	1
34-2424	Locker ring Unit 1	2



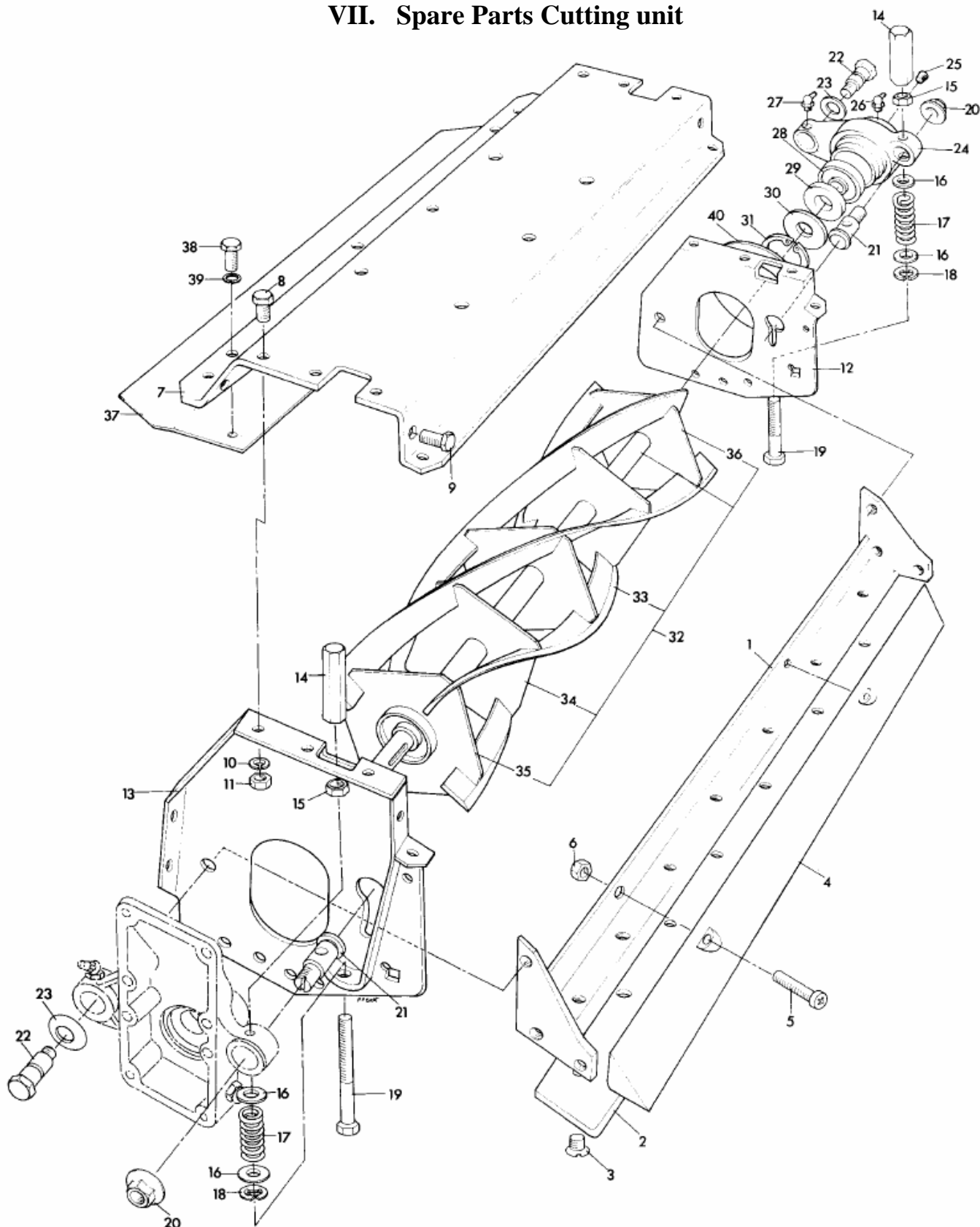


VI. Liftingarms Unit 2+3 4+5

Artikel	Omschrijving	Aantal
36C-7001	Lift cylinder	5
11-1224	Seal kit Cylinder	1
37L-1210-220	Pin cylinder Unit 1,2,3 Unit side	3
37L-1210-210	Pin cylinder Unit 4,5 Unit side	2
37L-1210-215	Pin cylinder Unit 1,4,5 Frame side	3
37L-1210-220	Pin cylinder Unit 2,3 frame side	2
37L-1210-231	Support bracket Unit 2	1
37L-1210-230	Support bracket Unit 3	1
37L-1210-233	Support bracket Unit 4	1
37L-1210-232	Support bracket Unit 5	1
37L-1210-095	Lift arm Unit 2	1
37L-1210-096	Lift arm Unit 3	1
37L-1210-110	Lift arm Unit 4	1
37L-1210-111	Lift arm Unit 5	1
37L-1210-205	Pen Lifting arm 2-5	4
30-0912	Bushing lift arm pin	10
36-3712	Axle 405mm unit 2+3+4+5	4
36-3715	ring tbv kooi Nimos	8



VII. Spare Parts Cutting unit





Parts Manual 5+7 Gang Reel Mower



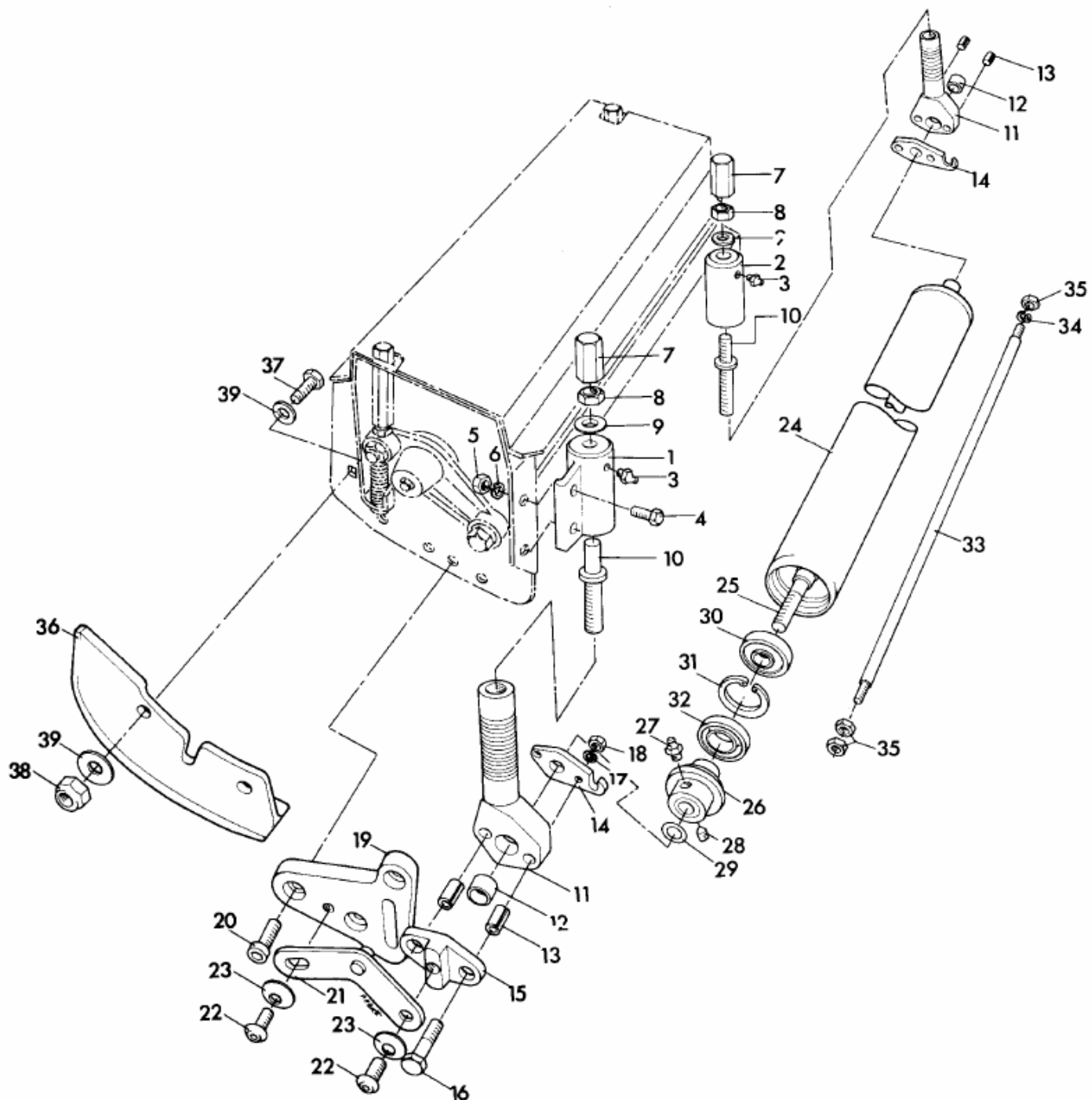
Pos.	Part No.	Qty		Parts description	
01	03-MBB6820B	1	Underbro	Bottom Block	Untere block
02	03-MBA7024A	1	Underkniv	Bottom Blade	Unteres messer
03	03-A119000	7	Kærveskrue us.	Screw	Schraube
04	03-MBB2469	1	Træliste	Wood Fillet	Holzliste
05	44-931-M6X25	2	Skrue	Screw	Schraube
06	44-934-M6	2	Møtrik	Nut	Mutter
07	03-MBB6827	1	Topplade	Top Deck	Oberteil
08	44-931-M10X25	10	Bolt	Screw	Schraube
09	44-931-M10X25	2	Bolt	Screw	Schraube
10	44-127-10	12	Fjederskive	S.L.Washer	Sicherubgsscheibe
11	44-934-M10	12	Møtrik	Nut	Mutter
12	03-MBB6829A	1	Sideplade	Frame side plate	Rahmenseitenplatt
13	03-MBB6828A	1	Sideplade	Frame side plate	Rahmenseitenplatt
14	03-MBB6839	2	Justermøtrik	Adjuster	Verstellung
15	44-934-M10	2	Møtrik	Nut	Mutter
16	44-125-10	6	Facetskive	Washer	Scheibe
17	03-A291006	2	Fjeder	Spring	Feder
18	03-GSF1057BH	2	Låsering	Circlip	Sprengring
19	03-MBB2559	2	Juster skrue	Adjusting Screw	Verstellschraube
20	03-A133312	2	Låsemøtrik	Stiffnut	Sicherungsmutter
21	03-MBC5941	2	Brystbolt	Clamp Pivot	Klemmbügel
22	03-MBB6837	2	Brystbolt	Pivot Bolt	Schwenkbolzen
23	03-H083025	2	Tallerkenfjeder	Disc Spring	Federscheibe
24	03-LMSD671B	1	Leje hus H.	Cyl. Housing RH	ZylindergehäuseR
(24)	03-LMSD672B	(1)	Leje hus V.	Cyl. Housing LH	ZylindergehäuseL
25	03-GSF2510C	1	Prop	Plug	Verschlussschraub
26	44-71412A-M6X1	1	Smørenippel	Lubricator	Öler
27	44-71412A-M6X1	1	Smørenippel	Lubricator	Öler
28	34-006205-2RS	1	Kugleleje	Ball Bearing	Kugellager
29	03-A229401	1	Filtring	Felt Seal	Filzdichtung
30	03-MBB2571	1	Kapsel	Seal Washer	Abdichtungsschei
31	44-475-52	1	Låsering	Circlips	Sprengring
32	03-MBC8330B	1	Knivcylinder 4bl	Cutting Cylinder	Messerwalze 4
#	03-MBC8329B	1	Knivcylinder 6bl	Cutting Cylinder	Messerwalze 6
#	03-MBC4639	1	Knivcylinder 8bl	Cutting Cylinder	Messerwalze 8
37	03-MBB3567	1	Græsskærm	Deflector	Abweiser
38	44-931-M8X20	3	Bolt	Screw	Schraube
39	44-127-8	3	Fjederskive S.L.	Washer	Sicherungsscheibe
40	03-A912006	1	Gummidæksel	Guard	Schutz

Not Illustrated

Nicht Abgebildet

() Cutting Frame LH Drive

() Schneidwerkrahmen linker antrieb





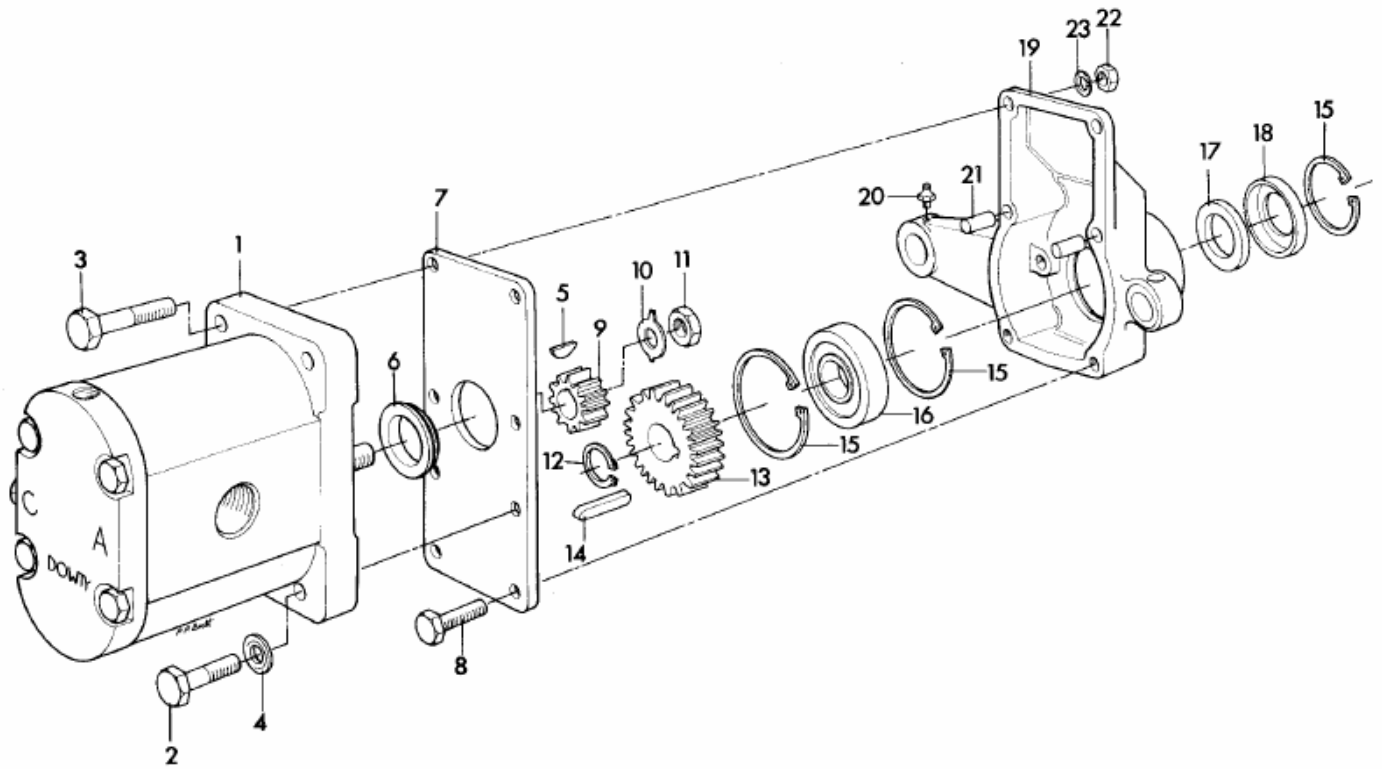
Parts Manual 5+7 Gang Reel Mower



Pos	Part No.	Qty	Parts description		
01	03-MBB6818	1	Justerkonsol V.	Outer Sleeve LH	Äußere Hülse L
02	03-MBB6817	1	Justerkonsol H.	Outer Sleeve RH	Äußere Hülse R
03	44-71412A-M6X1	2	Smørenippel	Lubricator	Öler
04	44-931-UNF-3/8"X30	4	Bolt	Screw	Schraube
05	44-934-UNF-3/8"	4	Møtrik	Nut	Mutter
06	44-127-3/8"	4	Fjederskive S.L.	Washer	Sicherungsscheibe
07	03-MBB2580	2	Justermøtrik	Adjuster	Verstellung
08	44-934-M10	2	Møtrik	Nut	Mutter
09	03-H083026	2	Tallerkenfjeder	Disc Spring	Federscheibe
10	03--MBB2579	2	Justerskrue	Adjusting screw	Verstellschraube
11	03-MBC8148	2	Holder Skid	Mounting	Gleitkufenmontag
12	03--MBB2587	2	Bøsning	Bush	Buchse
13	03-A141544	4	Rørstift	Dowel	Paßstift
14	03-MBB2365K	2	Holder	Plate	Platte
15	03-MBB9663	2	Plade	Plate	Platte
16	44-931-M6X40	4	Bolt	Bolt	Bolzen
17	44-125-6	4	Facetskive	Washer	Scheibe
#	44-127-6	4	Fjederskive S.L.	Washer	Sicherungsscheibe
18	44-934-M6	4	Møtrik	Nut	Mutter
19	03-MBB9657	1	Plade V.	Plate LH.	Platte L.
#	03-MBB9658	1	Plade R.	Plate RH.	Platte R.
20	03-GSF2015CF	4	Skrue	Screw	Schraube
21	03-MBB9664	1	Arm V.	Lever LH.	Hebel L.
#	03-MBB9667	1	Arm H.	Lever RH.	Hebel R.
22	03-A129006	4	Skrue	Screw	Schraube
23	03-A292080	4	Tallerkenfjeder	Disc Spring	Federscheibe
#	03-LMAA356A	1	Bagrulle cpl.	Rear roll assy.	Hintere rolle
24	03-MBB6764C	1	Rør	Roll Tube	Rollenrohr
25	03-MBB6766	1	Aksel	Spindle	Spindel
26	03-MBB6762	2	Endestykke	Boss	Nabe
27	44-71412A-M6X1	2	Smørenippel	Lubricator	Öler
28	44-916-MSP-6X6	2	Pinolskrue	Grubscrew	Gewindestift
29	50-OR-15,54X2,62	2	O-ring	O-ring	O-ring
30	34-006203-2RS	2	Kugleleje	Bearing	Lager
31	44-472-40	2	Låsering	Circlip	Sprengring
32	35-25-40-07	2	Pakdåse	Oil Seal	Dichtring
#	35-20-35-07	2	Pakdåse	Oil Seal	Dichtring
33	03-MBC1823	1	Skraber	Scraper	Abstreifer
34	44-127-8	3	Fjederskive S.L.	Washer	Sicherungsscheibe
35	44-934-M8	3	Møtrik	Nut	Mutter
#	44-125-8	3	Facetskive	Washer	Scheibe
36	03-MBC8985	2	Slæbesko	Skid	Gleitkufe
37	44-931-M8X25	4	Bolt	Bolt	Bolzen
#	44-931-M8X30	2	Bolt	Bolt	Bolzen
38	44-985-M8	6	Låsemøtrik	Stiffnut	Sicherungsmutter
39	03-AE22003	8	Skive	Washer	Scheibe

Not Illustrated

Nicht Abgebildet

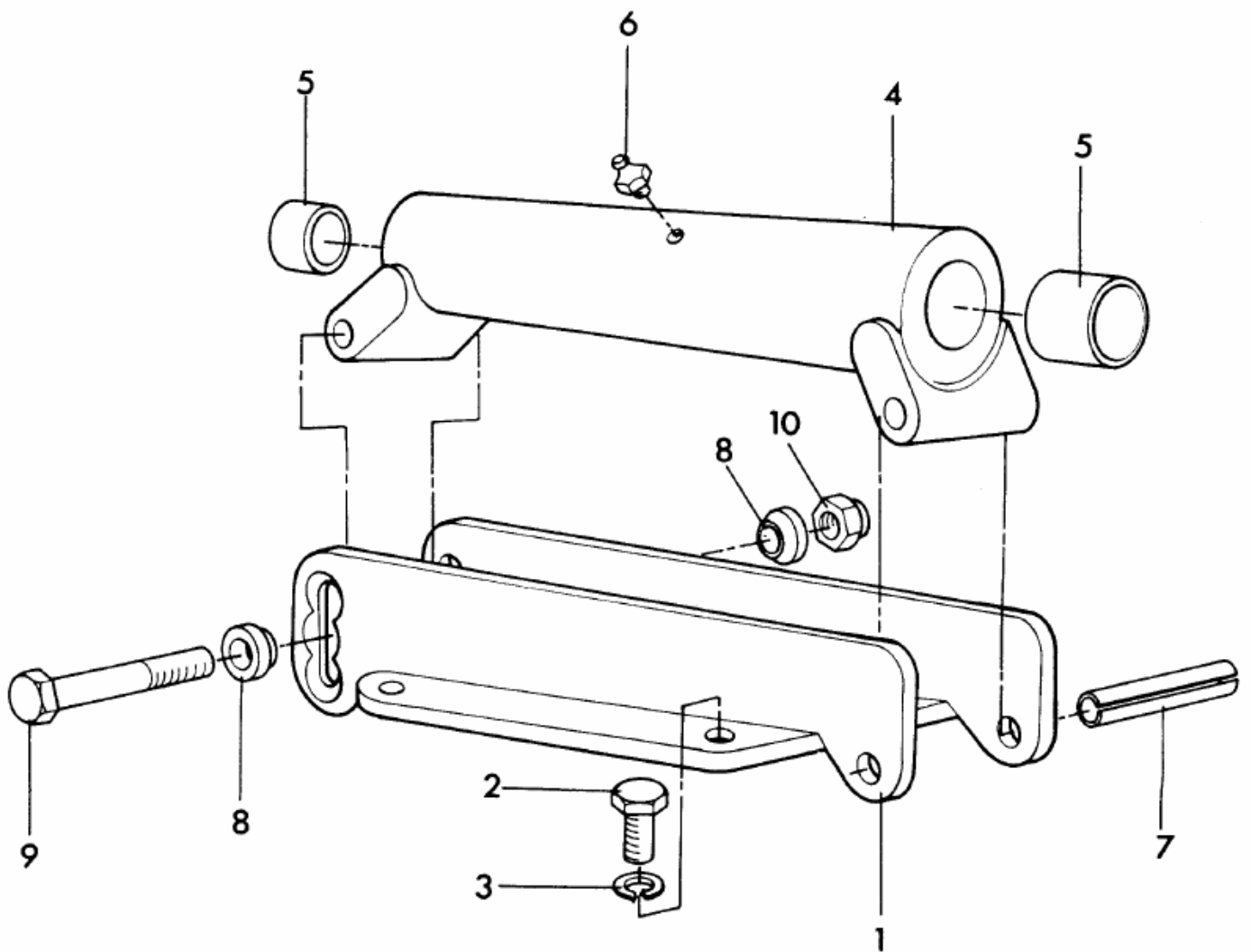




Parts Manual 5+7 Gang Reel Mower



Pos	Part No.	Qty	Parts description		
01	03-A809210	1	Hydr. Motor	Drive Motor	Antriebsmotor
(1)	03-A809211	1	Hydr. Motor	Drive Motor	Antriebsmotor
02	44-931-UNF-1/4"X65	2	Bolt	Bolt	Bolzen
03	44-931-UNF-1/4"X45	2	Bolt	Bolt	Bolzen
04	03-H014004	2	Pakskive	Seal Washer	Abdichtungsschei
05	03-GSF2230AE	1	Skivefeder	Key Woodruffe	Scheibenfeder
06	03-MBB2558	1	Adaptor Motor	Adaptor	Motoranslußstü
07	03-MBB2557	1	Monteringsplade	Motor Mounting	Motorplattform
08	44-931-UNF-1/4"X35	2	Bolt	Bolt	Bolzen
09	03-MBB2616	1	Tandhjul	Drive Pinion	Antriebsritzel
10	03-H200038	1	Låseskive	Washer	Scheibe
11	03-GSF2051AD	1	Møtrik	Nut	Mutter
12	03-GSF1056BA	1	Låsering	Circlip	Sprengring
13	03-MBB2615	1	Tandhjul	Gear	Zahnrad
14	03-GSF2202ER	1	Feder	Key	Paßfeder
15	44-472-52	3	Låsering	Circlip	Sprengring
16	34-006205-2RS	1	Kugleleje	Ball Bearing	Kugellager
17	03-A229401	1	Filtring	Felt Washer	Filzscheibe
18	03-MBB2571	1	Dækskive	Seal Washer	Abdichtungsschei
19	03-MBB2554H	1	Gearhus H.	Gearbox RH.	Getriebegehäuse
(19)	03-MBB2553H	1	Gearhus V.	Gearbox LH.	Getriebegehäuse
20	44-71412A-M6X1	1	Smørenippel	Lubricator	Öler
21	03-GSF1033ED	2	Styrstift	Dowel	Paßstift
22	44-934-UNF-1/4"	2	Møtrik	Nut	Mutter
23	44-127-1/4"	2	Fjederskive S.L.	Washer	Sicherungsscheibe
()	Cutting Unit Drive (LH Drive)				
()	Schneidwerkantrieb (Antrieb Links)				





Parts Manual 5+7 Gang Reel Mower



Pos	Part No.	Qty	Parts description		
01	03-MBB6822	1	Ophæng	Bracket	Halter
02	44-931-M10X25	4	Bolt	Screw	Schraube
03	44-127-10	4	Fjederskive	S:L:Washer	Sicherungsscheibe
04	03-MBB6823	1	Konsol	Pivot bracket	Schwenkhalter
05	07-830-01-083	2	Bøsning	Bush	Buchse
06	44-71412A-M6X1	1	Smørenippel	Lubricator	Öler
07	03-A141590	1	Rørstift	Tension Pin	Spannstift
#	44-1481-8X90	1	Rørstift	Tension Pin	Spannstift
08	03-MBB2622	2	Konus	Collar	Ring
09	44-931-M12X110	1	Bolt	Bolt	Bolzen
10	44-985-M12	1	Låsemøtrik	Stiffnut	Sicherungsmutter
#	Not Illustrated				
#	Nicht abgebildet				



Parts Manual 5+7 Gang Reel Mower

