

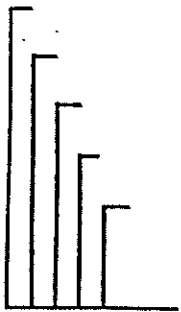
RONDINI F.lli s.n.c

COSTRUZIONE MACCHINE AGRICOLE

42010 S. GIOVANNI di NOVELLARA (RE) Italy

TEL. (0522) 657148

TELEFAX (0522) 657366



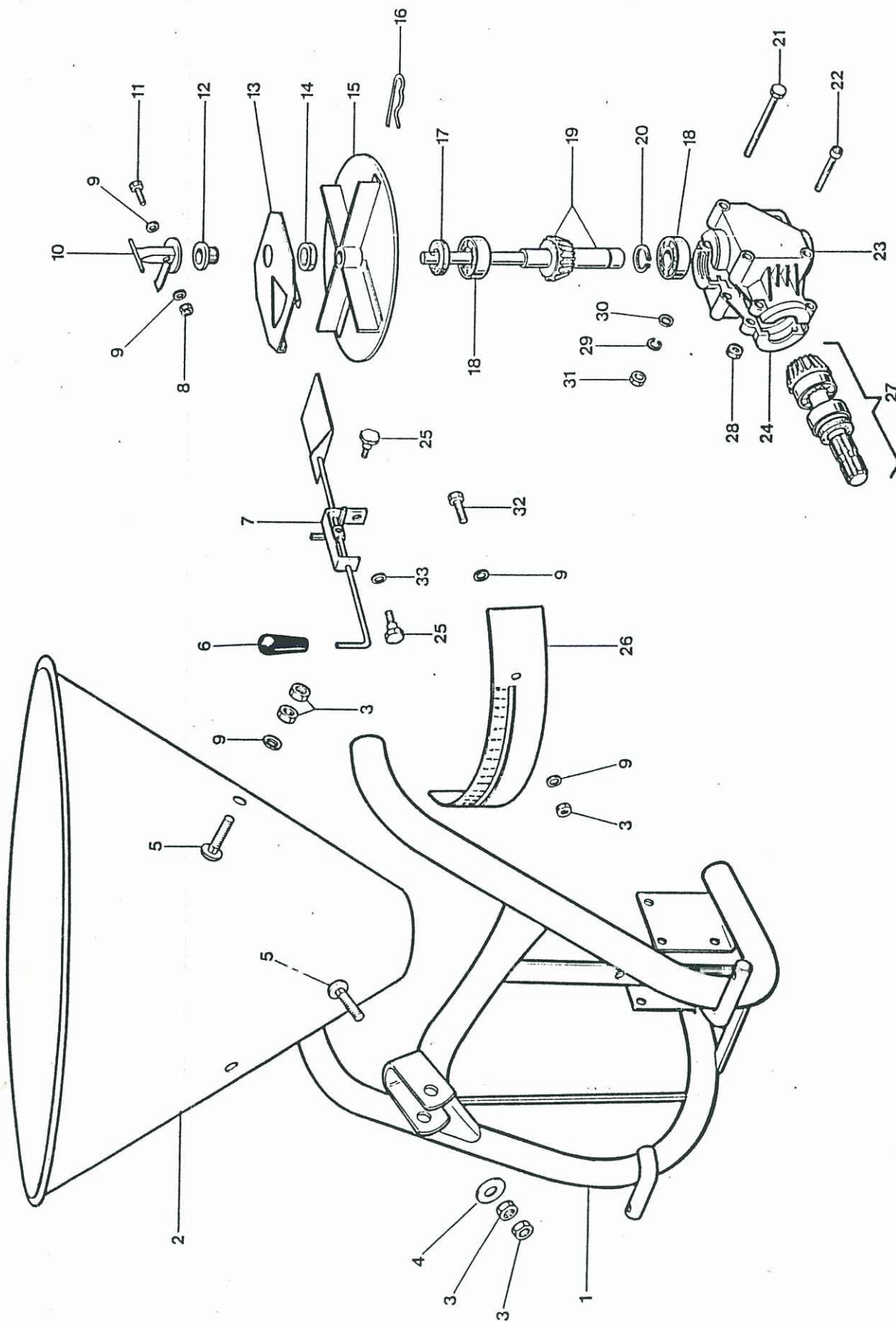
SPARE PARTS CATALOG

FERTILIZER SPREADER MOD. **TOY**

Mod: **TOY** **P50** **P100** **P150**

Cod. 03.150.00.00


Salg . Service . Fabrikation . Import
Lyngager 5-11 2605 Brøndby
Telefon 43 96 66 11 . Fax 43 26 66 24



DENNE MODEL FINDES OGSÅ SOM HYDRAULISK!



Salg . Service . Fabrikation . Import
 Lyngager 5-11 2605 Brøndby
 Telefon 43 96 66 11 . Fax 43 26 66 24

Pos.	Denomination	Q.ty	Code
1	FRAME	1	03.150.01.00
2	HOPPER TOY P/50	1	03.050.02.00
2a	HOPPER TOY P/100	1	03.100.02.00
2b	HOPPER TOY P/160	1	03.149.02.00
3	NUT M 8	8	04.000.05.00
4	WASHER Ø 8 x 32	1	03.000.04.00
5	CYL. SCREW M 8 x 25	3	02.000.50.00
6	SHUTTER REGULATION KNOB	1	02.000.34.00
7	SHUTTER ADJUSTING DEVICE	1	02.000.19.00
8	SELF-LOCKING NUT M 8	1	04.000.38.00
9	WASHER Ø 8 x 17	8	04.000.07.00
*10	STATIONARY STIRRER	1	03.000.10.00
11	HEX. SCREW M 8 x 35 8.8.	1	03.000.11.00
12	THREADED BUSHING	1	03.000.12.00
13	MOBILE SHUTTER	1	02.000.48.00
14	NUT M 30 BPF	1	02.000.47.00
15	SPREADER DISC	1	03.000.15.01
16	R SHAPED COTTER PIN Ø 5	1	02.000.43.00
17	SEAL RING 25 x 37 x 5	1	04.150.48.01
18	BEARING 6205	2	04.150.49.01
19	OUTGOING SHAFT	1	03.150.19.01
20	SPRING RING Ø 25	1	04.150.24.01
21	HEX. SCREW M 10 x 110	3	04.000.53.00
22	ALLEN SCREW M 8 x 45 8.8.	3	04.150.27.01
23	R.S. HALF BOX L150	1	04.150.58.01
24	L.S. HALF BOX L 150	1	04.150.54.01
25	HAND WHEEL M 6 x 15	2	02.000.20.00
26	GUARD	1	03.000.26.00
27	INGOING SHAFT	1	04.150.59.00
28	NUT M 8 5588	3	04.150.50.01
29	SPRING WASHER Ø 10	3	04.000.56.00
30	WASHER Ø 10 x 21	3	04.000.57.00
31	NUT M 10	3	04.000.55.00
32	HEX. SCREW M 8 x 16	2	02.000.16.00
33	WASHER Ø 6 x 18	1	03.000.33.00
34	JOINT EXTERNAL FORK	2	04.000.21.00
35	SPIDER	2	04.000.60.00
36	FORK WITH EXTERNAL TUBE	1	03.060.36.00
37	FORK WITH INTERNAL TUBE	1	03.060.37.00
38	JOINT EXTERNAL GUARD	1	03.060.38.00
39	JOINT INTERNAL GUARD	1	03.060.39.00
	JOINT ASSEMBLY	1	03.150.60.00
	GEAR BOX ASSEMBLY	1	03.150.71.01
	BESKYTTELSESKAPPE F. GEAR	1	03.150.71.01 B
*1	OMRØRER M. HJUL KPL.	1	03.150.72.00
	OMRØRER M. KÆDE.	1	03.150.72.00 A
	SPREDEPLADE	1	02.000.49.00
	HOLDER F. SPREDEPLADE	2	03.000.5253.00
	OLIE MOTOR OMP50	1	03.150.71.01 A
	AKSEL F. SPREDETAL.	1	03.150.19.01 A



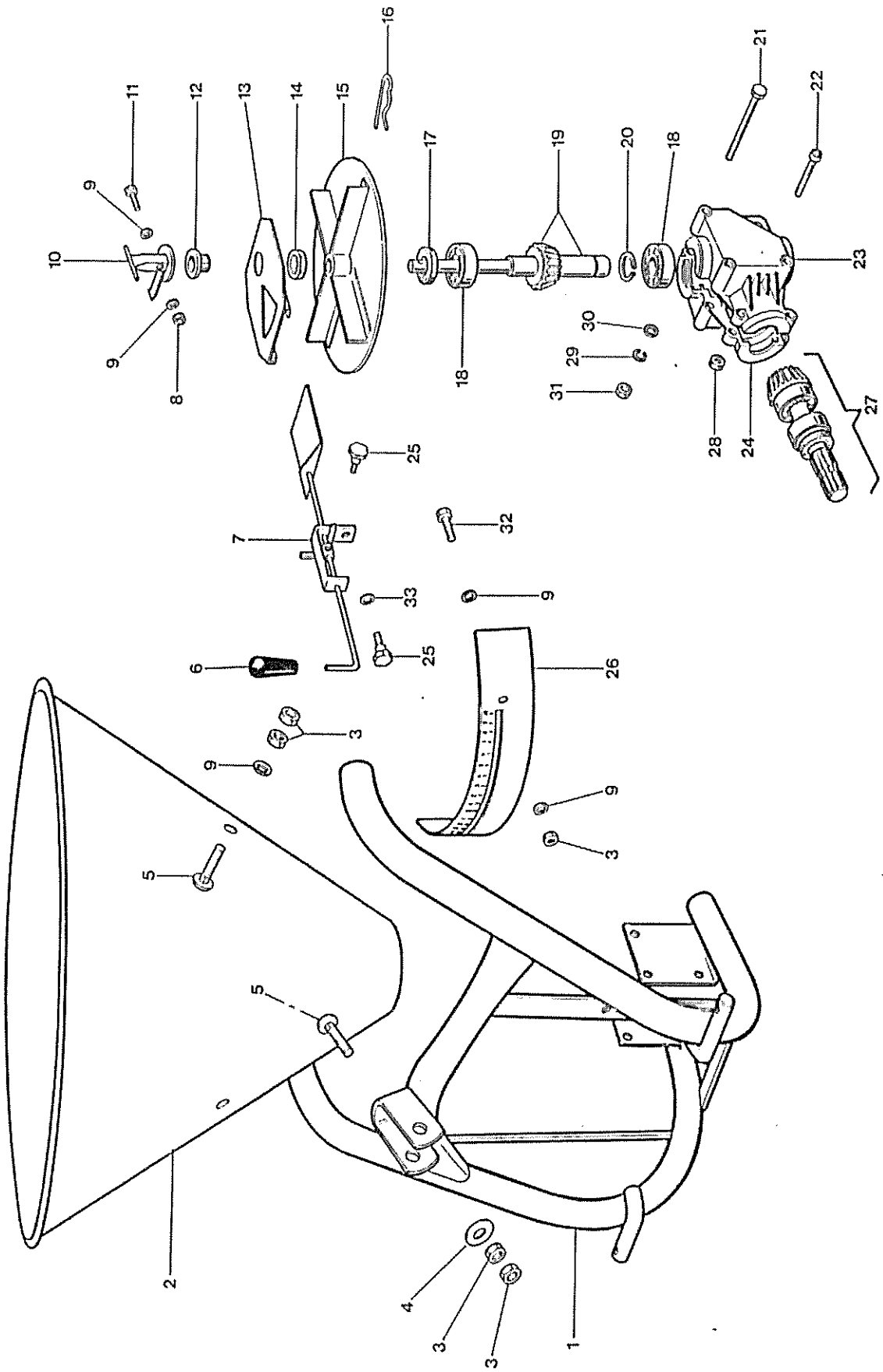
COSTRUZIONI MACCHINE AGRICOLE

Via Provinciale Sud n°41/43
42010 S.Giovanni di Novellara (RE) Italy
Tel. 0522/657148
Fax 0522/657366
Web Site: www.rondinicompany.it
E-mail: info@rondinicompany.it



*Spandiconcime Serie “Toy”
Fertilizer Spreader Series “Toy”*

Anno 2005



Pos.	Codice / Code	Q.tà / Q.ty	Denominazione / Denomination
1	03.150.01.00	1	Telaio / Frame
2	03.050.02.00	1	Tramoggia Toy P50 / Hopper Toy P50
2/1	03.050.02.01	1	Tramoggia Toy P50 (Zincata) / Hopper Toy P50 (Zincplated)
2/2	03.050.02.02	1	Tramoggia Toy P50 (Acciaio inox) / Hopper Toy P50 (Stainless steel)
2/A	03.100.02.00	1	Tramoggia Toy P100 / Hopper Toy P100
2/A/1	03.100.02.01	1	Tramoggia Toy P100 (Zincata) / Hopper Toy P100 (Zincplated)
2/A/2	03.100.02.02	1	Tramoggia Toy P100 (Acciaio inox) / Hopper Toy P100 (Stainless steel)
2/B	03.149.02.00	1	Tramoggia Toy P150 / Hopper Toy P150
2/B/1	03.149.02.01	1	Tramoggia Toy P150 (Zincata) / Hopper Toy P150 (Zincplated)
2/B/2	03.149.02.02	1	Tramoggia Toy P150 (Acciaio inox) / Hopper Toy P150 (Stainless steel)
3	04.000.05.00	8	Dado M8 / Nut M8
4	03.000.04.00	1	Rondella piana Ø8x32 / Washer Ø8x32
5	02.000.50.00	3	Vite T.T. M8x25 / Cyl.screw M8x25
6	02.000.34.00	1	Pomello registro portina / Shutter regulation knob
7	02.000.19.00	1	Gruppo registro portina / Shutter adjusting device
8	04.000.38.00	1	Dado autobloccante M8 / Self-locking nut M8
9	04.000.07.00	8	Rondella piana Ø8x17 / Washer Ø8x17
10	03.000.10.00	1	Agitatore fisso / Stationary stirrer
11	03.000.11.00	1	Vite T.E. M8x35 8.8 / Hex.screw M8x35 8.8
12	03.000.12.00	1	Boccola filettata / Threaded bushing
13	02.000.48.00	1	Portina mobile / Mobile shutter
14	02.000.47.01	1	Dado M30 BPF / Nut M30 BPF
15	03.000.15.00	1	Disco spanditore / Spreader disc
16	02.000.43.00	1	Spina a R Ø5 / R shaped cotter pin Ø5
17	04.150.48.01	1	Anello di tenuta 25x37x5 / Seal ring 25x37x5
18	04.150.49.01	2	Cuscinetto 6205 / Bearing 6205
19	03.150.19.01	1	Albero uscita / Outgoing shaft
20	04.150.24.01	1	Seeger per albero Ø25 / Spring ring Ø25
21	04.000.53.00	3	Vite T.E. M10x110 / Hex.screw M10x110
22	04.150.27.01	3	Vite TCEI M8x45 8.8 / Allen screw M8x45 8.8
23	04.150.58.01	1	Semiscatola Dx L150 / R.S. half box L150
24	04.150.54.01	1	Semiscatola Sx L150 / L.S. half box L150
25	02.000.20.00	2	Volantino M6x15 / Hand wheel 6x15
26	03.000.26.00	1	Protezione / Guard
27	04.150.59.01	1	Albero entrata / Ingoing shaft
28	04.150.50.01	3	Dado M8 5588 / Nut M8 5588
29	04.000.56.00	3	Rondella grower Ø10 / Spring washer Ø10
30	04.000.57.00	3	Rondella piana Ø10x21 / Washer Ø10x21
31	04.000.55.00	3	Dado M10 / Nut M10

Pos.	Codice / Code	Q.tà / Q.ty	Denominazione / Denomination
32	02.000.16.00	2	Vite T.E. M8x16 / Hex.screw M8x16
33	03.000.33.00	1	Rondella piana Ø6x18 / Washer Ø6x18
34	04.000.21.00	2	Forcella esterna cardano / Joint external fork
35	04.000.60.00	2	Crocera / Spider
36	03.060.36.00	1	Forcella con tubo esterno / Fork with external tube
37	03.060.37.00	1	Forcella con tubo interno / Fork with internal tube
38	03.060.38.00	1	Protezione esterna cardano / Joint external guard
39	03.060.39.00	1	Protezione interna cardano / Joint internal guard
70	03.150.60.00	1	Cardano completo / Joint assembly
80	03.150.71.01	1	Scatola ingranaggi completa / Gear box assembly