

**YANMAR  
DIESEL  
ENGINE**

**YANMAR**

**PARTS CATALOG**

**MODEL**

**3TNE74C-ECR**

**( CARRARO )**

---

Published

Jan.,2003

000Y00V8720

# PREFACE

1. This Parts Catalog carries all parts incorporated in YANMAR Model 3TNE74C-ECR engine manufactured since December, 2002.
2. Each illustration corresponds to the parts list on the following page.
3. When ordering parts, clearly write down the engine model and serial number, as well as the name and number of each part in your order sheet. This will help insure reliable delivery of the parts you have ordered.

## How to read this Parts Catalog.

1. Parts mentioned in this Parts Catalog may not necessarily be standard equipping parts.
2. Parts change may be made without prior notice.
3. Form of this Parts Catalog.

REF. LEV.	PART NO.	DESCRIPTION	(A)	(B)	(C)	(D)	(E)	(F)	P/U	A	R	K
1	729595-51390	FUEL INJECTION PUMP	1	1	1	1	1	1				
1-1	729595-51391	FUEL INJECTION PUMP	1	1	1	1	1	1	N			
3	26022-060182	SCREW M 6X 16	9	9	9	9	9	9				
3-1	26022-060162	SCREW M 6X 16	4	4	4	4	4	4				X
4	129470-51040	SHAFT	1	1	1	1	1	1				
5	122710-51050	BEARING, ROLLER	2	2	2	2	2	2				
6	17000000	RETAINER	1	1	1	1	1	1				
7		OIL	1	1	1	1	1	1				

1. Ref. No.
 

The Ref. No. in the list may not be accord with the Ref. No. on illustration.

(Ex.) Illustration No. List head No.

1 1 (Before change) → 1-1 (After change)

When interchangeable symbol N, R and K, illustrations for the new parts are sometimes omitted.
2. Lev. (Level)
 

Indication and Meaning of Level

Level: Hereunder is given the relation among the number of dots (·), the level and the nominal parent-child relationship.

  - ..... Parent parts (Assembly parts)
  - ..... Child parts included in "•" (Semi-Assembly parts, component parts of Assembly parts.)
  - ..... Child parts included in "••", Grand-child parts in terms of "•". (Component parts of Semi-Assembly parts.)

Note) A part of non-sale parts are illustrated but not listed.
3. Change Mark
 

Change Mark "I" is given to the part for which a design change was made at this time. The design change was not shown in the last published Parts Catalog.
4. Interchangeability Mark
 

In the case where a part change took place, one of the following interchangeability marks is indicated for that part.

Symbol	Interchangeability	Contents note
N	Old \$\$\$ NEW	New Part is interchangeable for Old Part but not interchangeable conversely.
Q	Old \$\$\$ NEW	New Part is not interchangeable for Old Part but interchangeable conversely.
R	Old \$\$\$ NEW	New Part is interchangeable for Old Part and vice versa.
S	Old \$\$\$ NEW	New Part is not interchangeable for Old Part and vice versa.
W		Part newly added.
Z		Part discontinued.
F		Not interchangeable single part but interchangeable by set of the related parts.
K		Changed only in quantity used.

5. Effective Machine No.
 

When a part is changed, Effective Machine No. of a Model for which the part is applicable is indicated in each column of (A) - (F).

Product symbol	Product No.	Product symbol	Product No.
C	Clutch No., Copressor No.	M	Machine No.
D	Drive No.	T	Tractor No.
E	Engine No.	Note1) ※	Date

- Note1) Date may follow the symbol in some cases. (Ex.) ※1990. 02
- Note2) As far as engine models shown by "XXX" are concerned, the modification of the parts could not be predicted or the engine models themselves could not be identified.
- Note3) (A=E00185) means that the design change on the part has been effective for the model at the column (A) (in this case, for 4JH-DT) on and from E (Engine Serial Number) 00185.

6. Remarks Mark
 

Figures or alphabets (Symbols) are entered in the remark column.

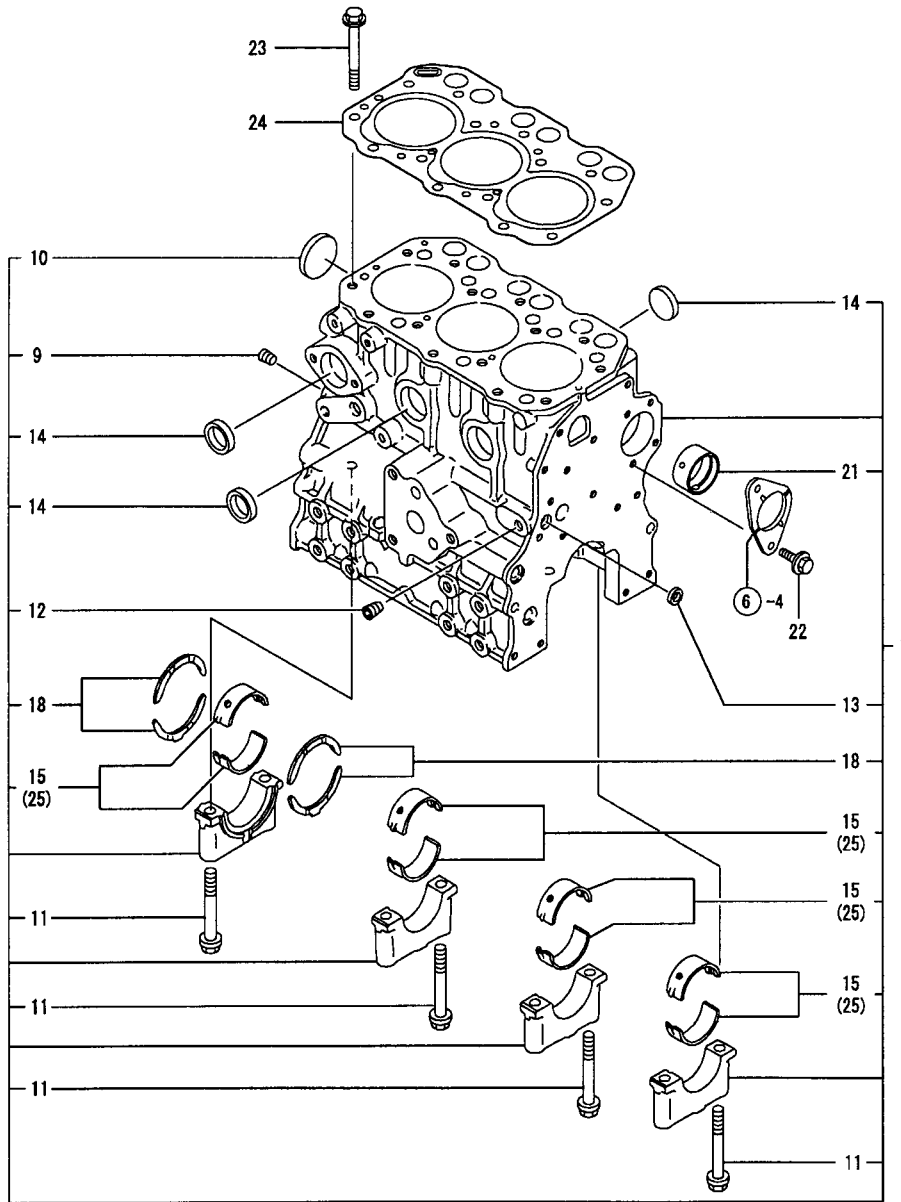
The comments (remarks) on the pertinent parts are indicated in the lower part of the list by the same symbols as those stated above.



1. CYLINDER BLOCK

(A)=3TNE74C-ECR (D)=  
 (B)= (E)=  
 (C)= (F)=

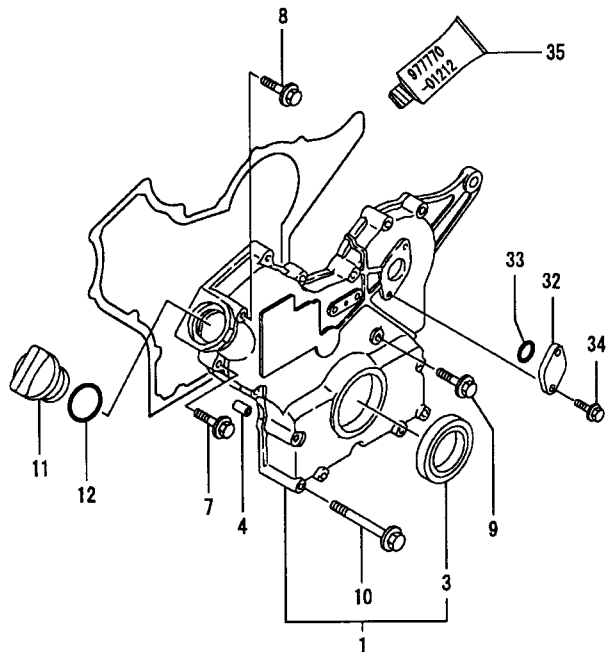
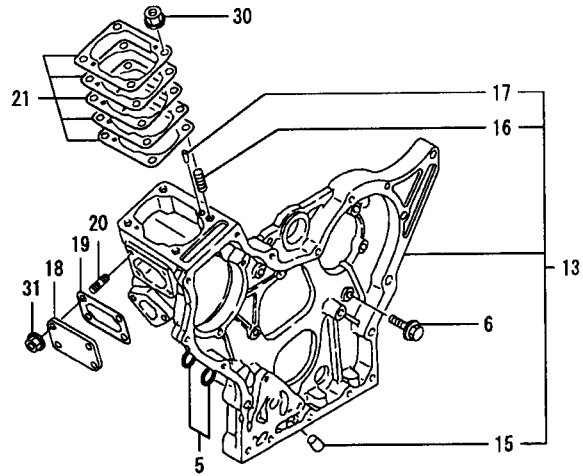
REF.	LEV.	PARTS NO.	DESCRIPTION	Q'TY						I	R	
				(A)	(B)	(C)	(D)	(E)	(F)			
1	1	719623-01560	BLOCK ASSY, CYLINDER	1								
9	2	119600-01050	PLUG PT1/4	1								
10	2	119623-01250	PLUG 45	1								
11	2	119620-02020	BOLT	8								
12	2	23876-010000	PLUG PT1/8,SCREW	1								
13	2	27241-120000	PLUG 12	1								
14	2	27241-300000	PLUG 30	6								
15	2	719620-02800	MAIN BEARING	4								
18	2	719620-02930	BEARING, THRUST	2								
21	2	119624-02410	BUSH	1								
22	1	26106-060122	BOLT M 6X 12 PLATED	2								
23	1	119620-01200	BOLT, CYLINDER HEAD	14								
24	1	119623-01340	GASKET, CYL. HEAD	1								
25	1	719620-02870	MAIN BEARING US=0.25	4								1



Remarks  
 (1)UNDER-SIZE(U.S=0.25)PART.

Y00V8720

2. GEAR HOUSING



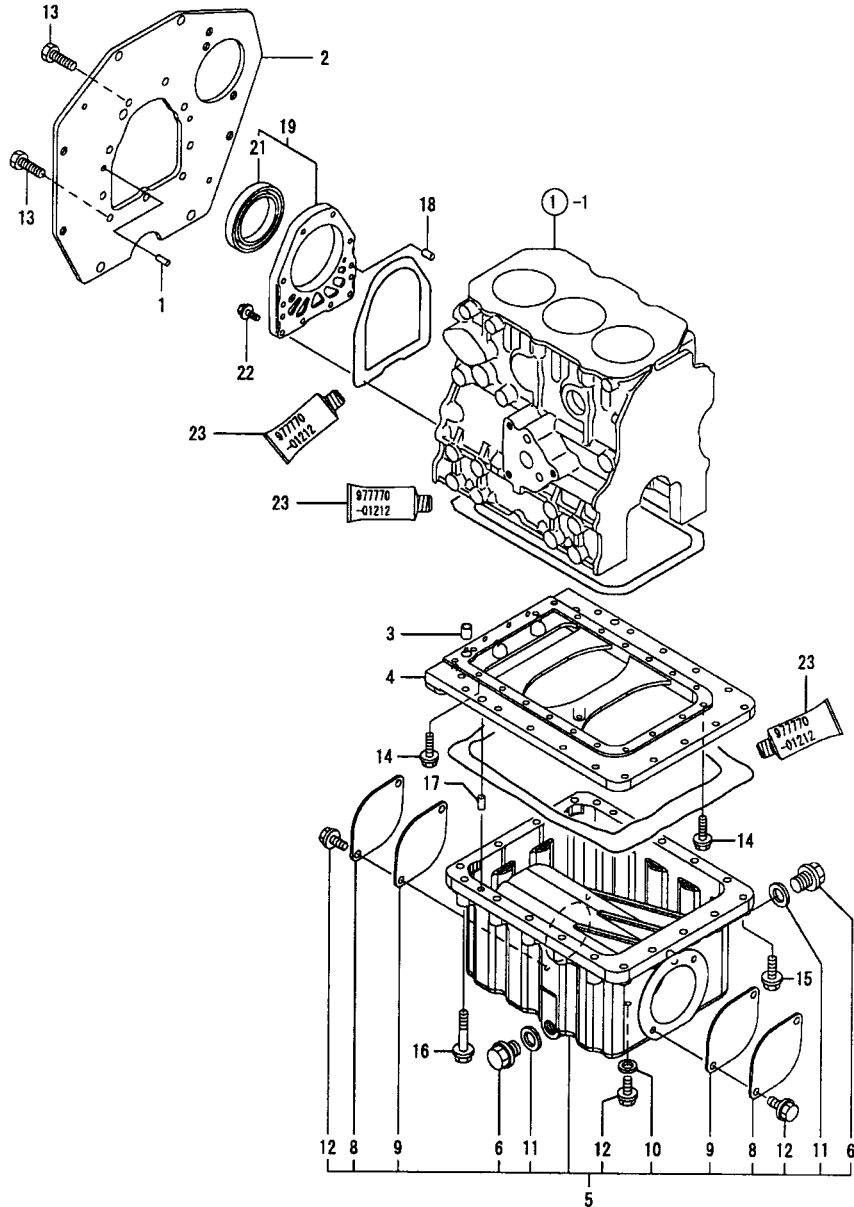
Y00V8720 2. GEAR HOUSING

(A)=3TNE74C-ECR (D)=  
(B)= (E)=  
(C)= (F)=

REF.	LEV.	PARTS NO.	DESCRIPTION	Q'TY						I	R
				(A)	(B)	(C)	(D)	(E)	(F)		
1	1	119610-01590	COVER ASSY, HOUSING	1							
3	2	119620-01800	SEAL, OIL	1							
4	1	119660-01911	PIPE, KNOCK	4							
5	1	119624-32040	O-RING P 12.0	2							
6	1	26106-060162	BOLT M 6X 16 PLATED	7							
7	1	26106-060302	BOLT M 6X 30 PLATED	8							
8	1	26106-060602	BOLT M 6X 60 PLATED	1							
9	1	26106-060602	BOLT M 6X 60 PLATED	3							
10	1	26106-060802	BOLT M 6X 80 PLATED	6							
11	1	124160-01751	COVER, FILLER	1							
12	1	24311-000320	O-RING 1A P-32.0	1							
13	1	119610-01490	HOUSING ASSY, GEAR	1							
15	2	119660-01510	PLUG 10X14	1							
16	2	121450-01560	STUD M 8X 22	4							
17	2	22351-040010	SPRING PIN 4X10	2							
18	1	119660-01551	COVER	1							
19	1	119660-01562	GASKET, (NON-ASB.)	1							
20	1	119660-01570	STUD M6X12	4							
21	1	119623-01950	SHIM PACK	1							
30	1	194990-22050	NUT W/WASHER 8	4							
31	1	26366-060002	NUT M 6	4							
32	1	121023-01550	COVER, BLIND	1							
33	1	24341-000240	O-RING 1A S-24.0	1							
34	1	26106-060162	BOLT M 6X 16 PLATED	2							
35	1	97770-01212	GASKET, LIQUID	1							1

Remarks  
(1) OPTIONAL PART.

3. MOUNTING FLANGE & OIL SUMP

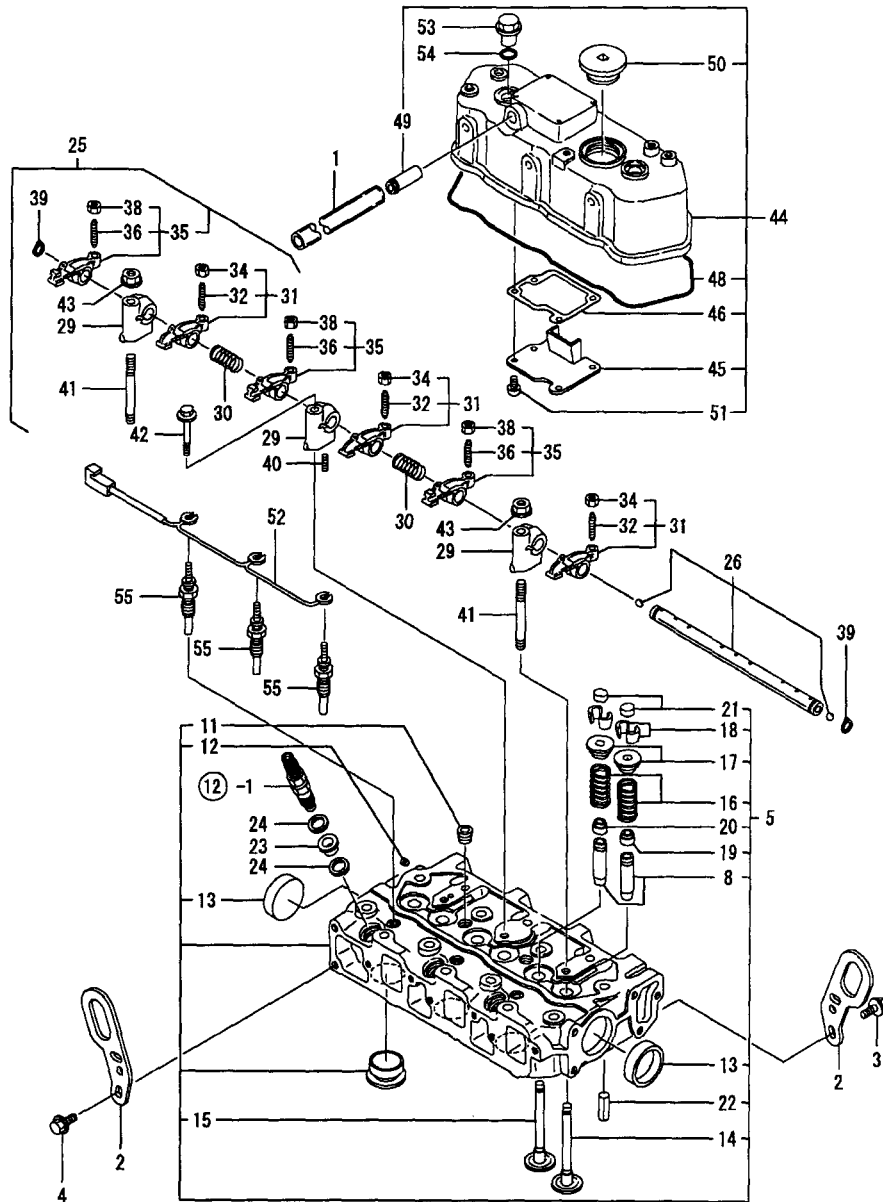


Remarks  
 (1) OPTIONAL PART.

(A)=3TNE74C-ECR (D)=  
 (B)= (E)=  
 (C)= (F)=

REF.	LEV.	PARTS NO.	DESCRIPTION	QTY						I	R	
				(A)	(B)	(C)	(D)	(E)	(F)			
1	1	129100-01580	PARALLEL PIN 8X16	2								
2	1	119623-01600	FLANGE, MOUNTING	1								
3	1	119370-01740	PIPE, KNOCK	1								
4	1	119623-01750	SPACER, OIL SUMP	1								
5	1	119623-01780	SUMP, LUB.OIL	1								
6	2	105425-01690	PLUG M16	2								
8	2	119822-01760	COVER	2								
9	2	119822-01770	RUBBER SEAL	2								
10	2	22190-080002	SEAL WASHER 8S	1								
11	2	22190-160002	SEAL WASHER 16S	2								
12	2	26106-080162	BOLT M 8X 16 PLATED	5								
13	1	26076-100222	BOLT 10* 22	9								
14	1	26106-060282	BOLT M 6X 28 PLATED	16								
15	1	26106-080252	BOLT M 8X 25 PLATED	5								
16	1	26106-080452	BOLT M 8X 45 PLATED	14								
17	1	129100-01580	PARALLEL PIN 8X16	2								
18	1	119620-01620	PARALLEL PIN 6X10	2								
19	1	119660-01640	CASE ASSY, OIL SEAL	1								
21	2	124085-02220	SEAL, OIL	1								
22	1	26106-060222	BOLT M 6X 22 PLATED	10								
23	1	977770-01212	GASKET, LIQUID	1								1

4. CYLINDER HEAD & BONNET



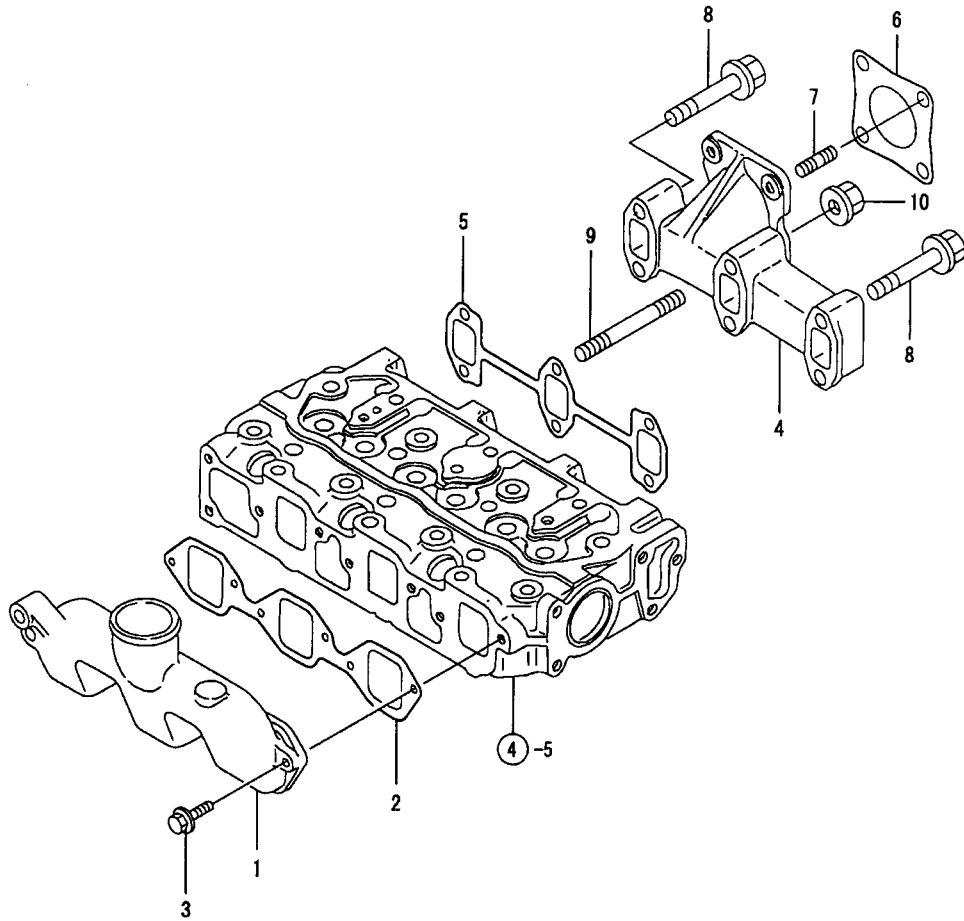
Remarks  
(1) REPAIR PART.

Y00V8720 4. CYLINDER HEAD & BONNET

(A)=3TNE74C-ECR (D)=  
(B)= (E)=  
(C)= (F)=

REF.	LEV.	PARTS NO.	DESCRIPTION	QTY						I	R
				(A)	(B)	(C)	(D)	(E)	(F)		
1	1	23065-120500	PIPE, VINYL 12X 500	1							
2	1	119260-07900	LIFTER, ENGINE	2							
3	1	26106-080142	BOLT M 8X 14 PLATED	1							
4	1	26106-080142	BOLT M 8X 14 PLATED	2							
5	1	719623-11700	HEAD ASSY, CYLINDER	1							
8	2	119620-11801	GUIDE, VALVE	6							1
11	2	23876-020000	PLUG 1/4	2							
12	2	27221-050080	PLUG 5X 8	1							
13	2	27241-400000	PLUG 40	2							
14	2	119623-11100	VALVE, INTAKE	3							
15	2	119620-11110	VALVE, EXHAUST	3							
16	2	119620-11120	SPRING, VALVE	6							
17	2	119620-11180	RETAINER, SPRING	6							
18	2	27310-070000	COTTER	6							
19	2	124160-11340	SEAL, VALVE STEM	3							
20	2	124950-11340	SEAL, VALVE STEM	3							
21	2	104211-11370	CAP, VALVE	6							
22	2	22351-060012	SPRING PIN 6X12	2							
23	1	119600-11450	PROTECTOR, NOZZLE	3							
24	1	119600-11460	GASKET, NOZZLE	6							
25	1	119620-11200	SUPPORT ASSY, ARM	1							
26	2	119620-11240	SHAFT ASSY, ROCKER	1							
29	2	119620-11260	SUPPORT, ROCKER ARM	3							
30	2	119620-11280	SPRING	2							
31	2	719620-11650	ARM ASSY, ROCKER	3							
32	3	105010-11230	SCREW, VALVE	3							
34	3	26856-060002	LOCK NUT 6	3							
35	2	719620-11660	ARM ASSY, ROCKER	3							
36	3	105010-11230	SCREW, VALVE	3							
38	3	26856-060002	LOCK NUT 6	3							
39	2	22242-000120	CIRCLIP 12	2							
40	2	26979-050162	SCREW M 5X16	1							
41	1	119620-11350	STUD	2							
42	1	26106-080452	BOLT M 8X 45 PLATED	1							
43	1	26306-080002	NUT	2							
44	1	119657-11351	BONNET ASSY	1							
45	2	119620-03020	PLATE, SHELTER	1							
46	2	119620-03031	GASKET, (NON-ASB.)	1							
48	2	119620-11310	GASKET, BONNET	1							
49	2	118400-03060	JOINT, BREATHER	1							
50	2	119807-11770	CAP, LUB.OIL SUPPLY	1							
51	2	22857-500100	SCREW 5X10,TAPPING	4							
52	1	119645-77820	CONNECTOR, GLOW PLUG	1							
53	1	124160-11360	KNOB	2							
54	1	24311-000120	O-RING 1A P 12.0	2							
55	1	129795-77800	PLUG, GLOW	3							

5. SUCTION & EXHAUST MANIFOLD



Y00V8720 5. SUCTION & EXHAUST MANIFOLD

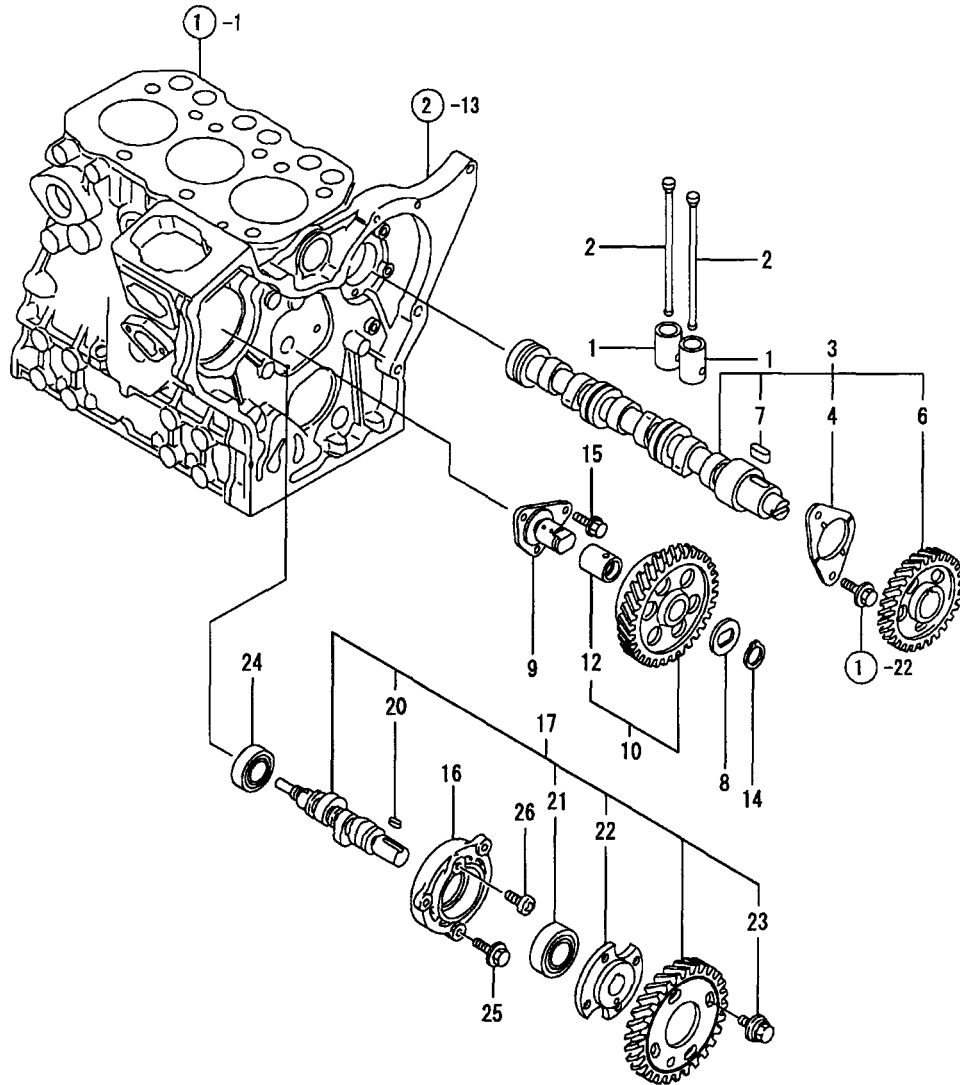
(A)=3TNE74C-ECR (D)=  
 (B)= (E)=  
 (C)= (F)=

REF.	LEV.	PARTS NO.	DESCRIPTION	QTY						I	R	
				(A)	(B)	(C)	(D)	(E)	(F)			
1	1	119623-12100	MANIFOLD, INTAKE									
2	1	119620-12111	GASKET, (NON-ASB.)									
3	1	26106-060202	BOLT M 6X 20 PLATED									
4	1	119600-13100	MANIFOLD, EXHAUST									
5	1	119620-13110	GASKET, EXH.MANIFOLD									
6	1	121000-13201	GASKET, SILENCER									
7	1	119131-18320	BOLT M 8X 22									
8	1	119802-13600	BOLT M 8X 40 PLATED									
9	1	129054-13210	STUD, M8X55									
10	1	26306-080002	NUT									



6. CAMSHAFT & DRIVING GEAR

(A)=3TNE74C-ECR (D)=  
 (B)= (E)=  
 (C)= (F)=

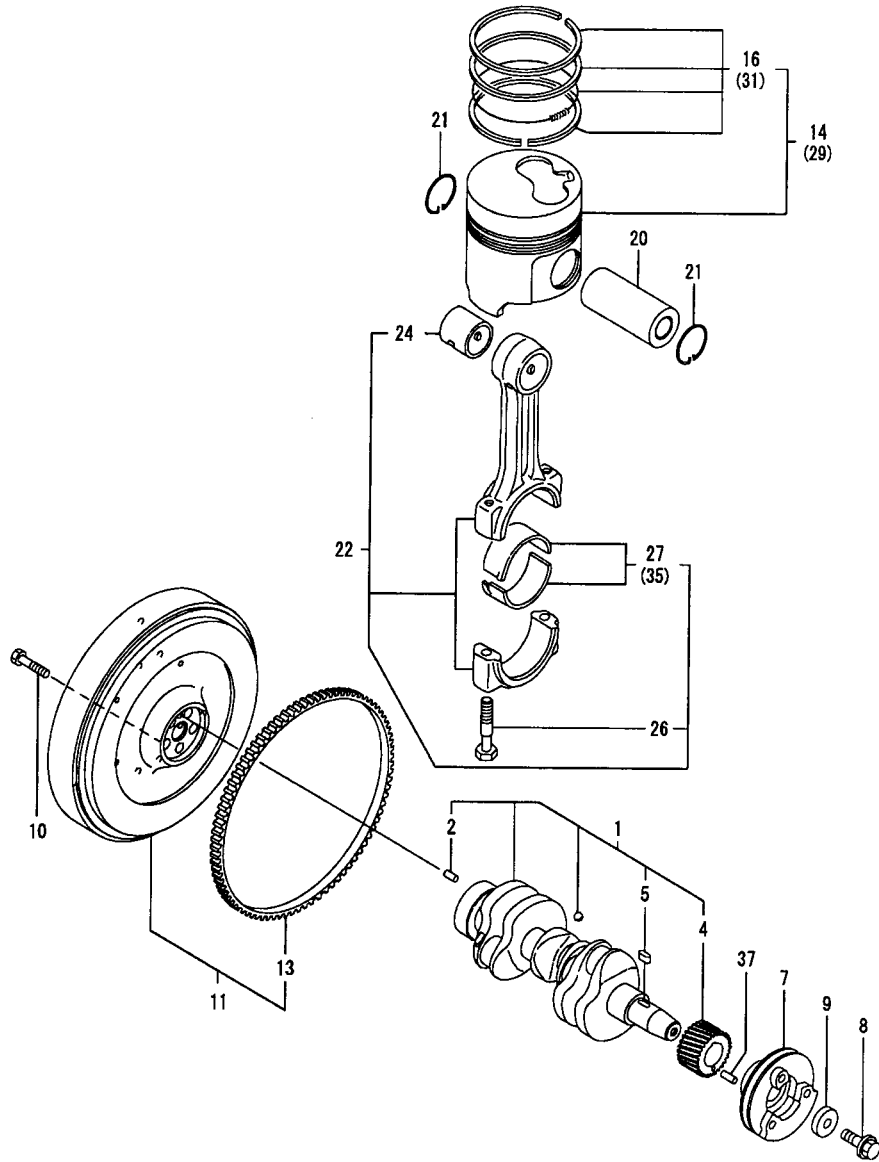


REF.	LEV.	PARTS NO.	DESCRIPTION	QTY						I	R
				(A)	(B)	(C)	(D)	(E)	(F)		
1	1	119620-14200	TAPPET	6							
2	1	119620-14401	ROD, PUSH	6							
3	1	119629-14580	CAMSHAFT ASSY	1							
4	2	119620-02450	BEARING, THRUST	1							
6	2	119620-14100	GEAR, CAMSHAFT	1							
7	2	22512-040120	KEY 4X 12	1							
8	1	119660-25022	RETAINER, IDLE GEAR	1							
9	1	119660-25052	SHAFT, IDLE GEAR	1							
10	1	119620-25102	GEAR W/BUSH, IDLE	1							
12	2	119620-25912	BUSH	1							1
14	1	22242-000200	CIRCLIP 20	1							
15	1	26106-060122	BOLT M 6X 12 PLATED	3							
16	1	119660-01821	BEARING, FUEL CAM.	1							
17	1	719660-14600	CAM ASSY, F.I. PUMP	1							
20	2	22512-040120	KEY 4X 12	1							
21	2	24102-063034	BALL BEARING 6303U	1							
22	2	119660-25920	FLANGE	1							
23	2	119660-25930	THREAD, F-I-P GEAR	4							
24	1	24101-062034	BALL BEARING	1							
25	1	26106-060162	BOLT M 6X 16 PLATED	3							
26	1	26587-080102	SCREW M 8X 10	1							

Remarks  
 (1) REPAIR PART.

7. CRANKSHAFT & PISTON

(A)=3TNE74C-ECR (D)=  
(B)= (E)=  
(C)= (F)=

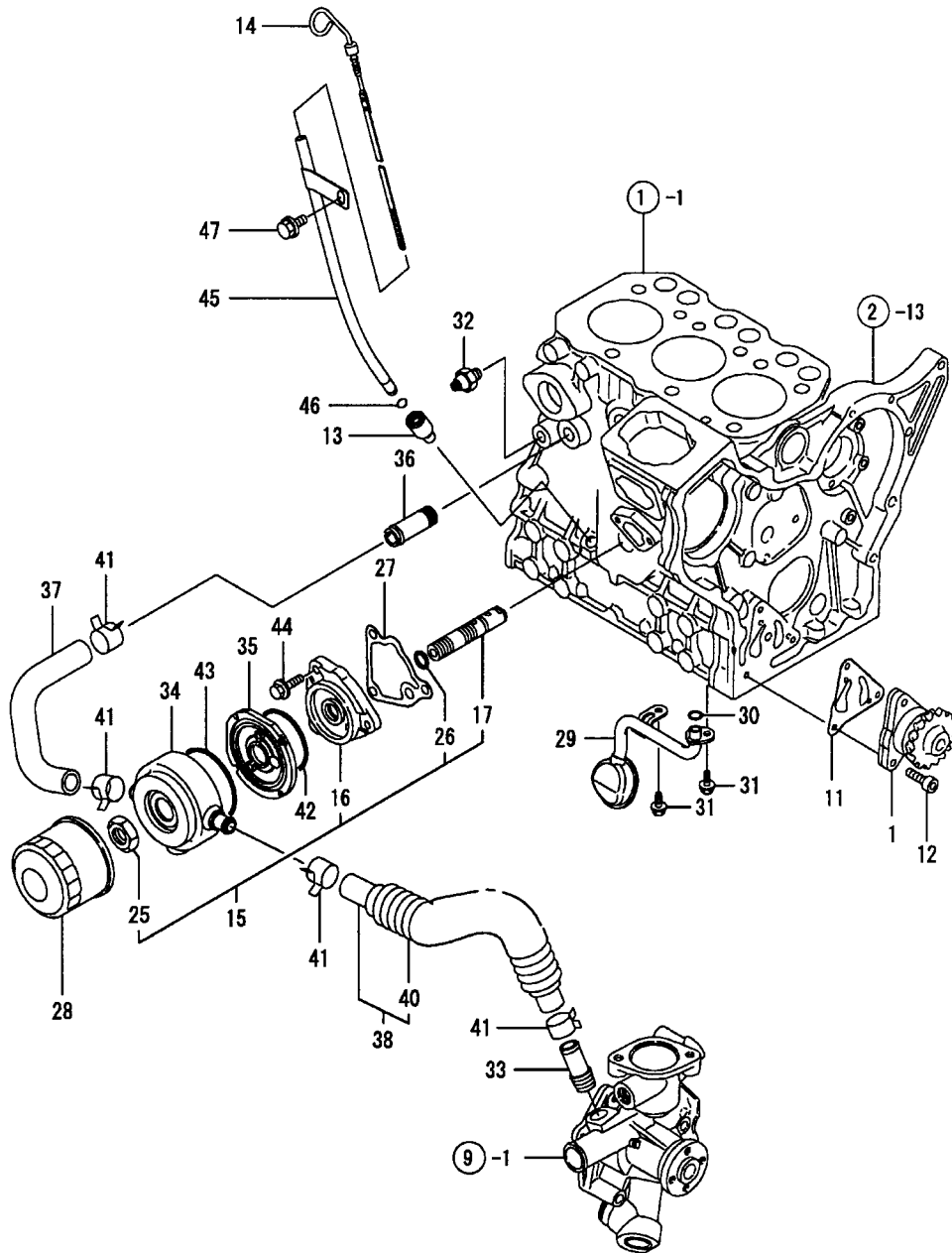


Remarks  
 (1) REPAIR PART.  
 (2) OVER-SIZE(O.S=0.25)PART.  
 (3) UNDER-SIZE(U.S=0.25)PART.

REF.	LEV.	PARTS NO.	DESCRIPTION	QTY						I	R
				(A)	(B)	(C)	(D)	(E)	(F)		
1	1	119623-21700	CRANKSHAFT ASSY	1							
2	2	129100-01580	PARALLEL PIN 8X16	1							
4	2	119644-21200	CRANKGEAR	1							
5	2	22512-040120	KEY 4X 12	1							
7	1	119653-21660	V-PULLEY	1							
8	1	119621-21680	BOLT M12X1.25,FLANGE	1							
9	1	119620-21941	WASHER	1							
10	1	121111-21501	BOLT, FLYWHEEL	5							
11	1	119623-21590	FLYWHEEL ASSY	1							
13	2	124060-21600	GEAR, RING	1							
14	1	119623-22080	PISTON W/RING	3							
16	2	119623-22500	RING SET,PISTON	3							
20	1	114399-22300	PISTON PIN	3							
21	1	22252-000210	CIRCLIP 21	6							
22	1	719620-23100	ROD ASSY, CONNECTING	3							
24	2	119620-23910	BUSH, PISTON PIN	3							1
26	2	105225-23200	BOLT, ROD	6							
27	2	719620-23600	BEARING, CRANKPIN	3							
29	1	119623-22900	PISTON ASSY(O.S=0.25	3							2
31	2	119623-22950	RING COMP.,0.25 O.S.	3							2
35	1	719620-23610	BEARING,PIN U.S=0.25	3							3
37	1	22351-030012	SPRING PIN 3X12	1							

Y00V8720

### 8. LUB.OIL SYSTEM

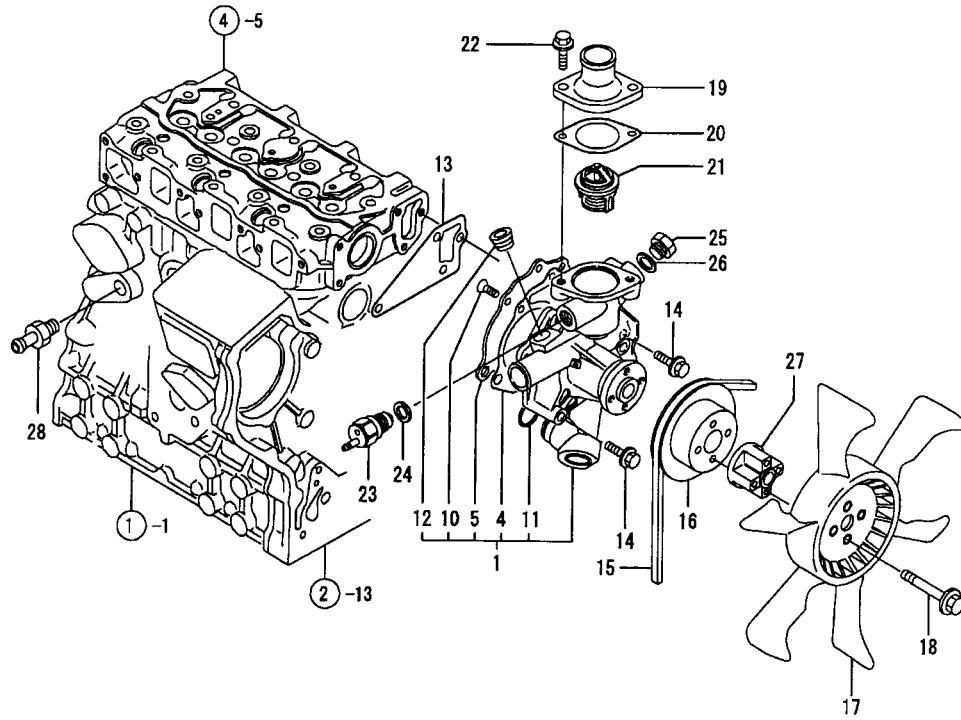


### Y00V8720 8. LUB.OIL SYSTEM

(A)=3TNE74C-ECR (D)=  
 (B)= (E)=  
 (C)= (F)=

REF.	LEV.	PARTS NO.	DESCRIPTION	QTY						I	R
				(A)	(B)	(C)	(D)	(E)	(F)		
1	1	119660-32001	PUMP ASSY, LUB. OIL	1							
11	1	119660-32020	GASKET, L.O.PUMP	1							
12	1	26450-060202	BOLT M 6X 20	3							
13	1	119260-34810	GUIDE, DIPSTICK	1							
14	1	119623-34850	DIPSTICK, LUB.OIL	1							
15	1	119623-35000	BRACKET	1							
16	2	119660-35102	BRACKET, OIL FILTER	1							
17	2	119623-35300	VALVE ASSY,OIL PRESS	1							
25	2	129150-35350	NUT	1							
26	2	119609-32040	O-RING P16	1							
27	1	119660-35113	GASKET, (NON-ASB.)	1							
28	1	119305-35150	FILTER, LUB. OIL	1							
29	1	119623-35070	PIPE ASSY,OIL INTAKE	1							
30	1	119209-35030	O-RING	1							
31	1	26106-060102	BOLT M 6X 10 PLATED	2							
32	1	121252-39450	SENDER, OIL PRESSURE	1							
33	1	121851-11970	JOINT, PIPE	1							
34	1	119642-33030	COOLER, OIL	1							
35	1	119642-33100	BRACKET	1							
36	1	129122-44480	JOINT	1							
37	1	119642-49030	PIPE	1							
38	1	119642-49050	PIPE ASSY	1							
40	2	119265-49090	TUBE, CORRUGATED	1							
41	1	23000-022000	CLAMP 22	4							
42	1	24321-000600	O-RING 1A G-60.0	1							
43	1	24321-000700	O-RING 1A G70.0,NBR	1							
44	1	26106-080202	BOLT M 8X 20 PLATED	3							
45	1	119623-34810	GUIDE, DIPSTICK	1							
46	1	24311-240100	O-RING 1A P-10A	1							
47	1	26106-060102	BOLT M 6X 10 PLATED	1							

9. COOLING WATER SYSTEM

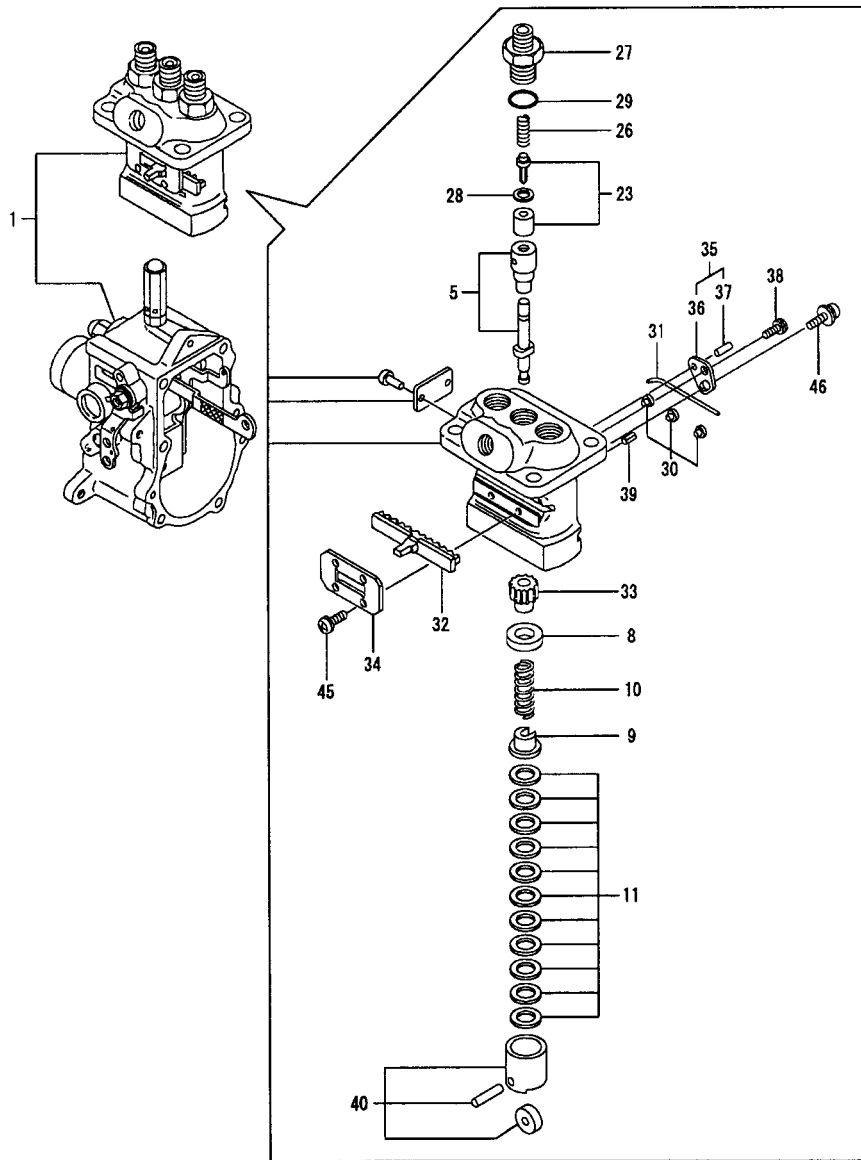


Y00V8720 9. COOLING WATER SYSTEM

(A)=3TNE74C-ECR (D)=  
 (B)= (E)=  
 (C)= (F)=

REF.	LEV.	PARTS NO.	DESCRIPTION	QTY						I	R
				(A)	(B)	(C)	(D)	(E)	(F)		
1	1	119660-42008	PUMP ASSY, C.WATER	1							
4	2	119660-42052	GASKET, (NON-ASB.)	1							
5	2	119660-42121	PLATE	1							
10	2	26577-060122	SCREW M 6X 12	5							
11	2	119609-42320	O-RING	1							
12	2	23876-030000	PLUG PT3/8,SCREW	1							
13	1	119620-42021	GASKET, C.W. PUMP	1							
14	1	26106-080452	BOLT M 8X 45 PLATED	4							
15	1	119656-42291	V-BELT (36-INCH)	1							
16	1	119660-42350	V-PULLEY, C.W. PUMP	1							
17	1	171340-44740	FAN, COOLING	1							
18	1	26106-060502	BOLT M 6X 50 PLATED	4							
19	1	129350-49530	COVER, THERMOSTAT	1							
20	1	129350-49541	GASKET, (NON-ASB.)	1							
21	1	129350-49800	THERMOSTAT (71 C)	1							
22	1	26106-080202	BOLT M 8X 20 PLATED	2							
23	1	121250-44901	SWITCH, THERMO(110 C)	1							
24	1	124465-44950	GASKET 16	1							
25	1	121450-42450	PLUG M16	1							
26	1	124465-44950	GASKET 16	1							
27	1	129030-44760	SPACER	1							
28	1	121550-49111	JOINT PT1/4	1							

10. FUEL INJECTION PUMP

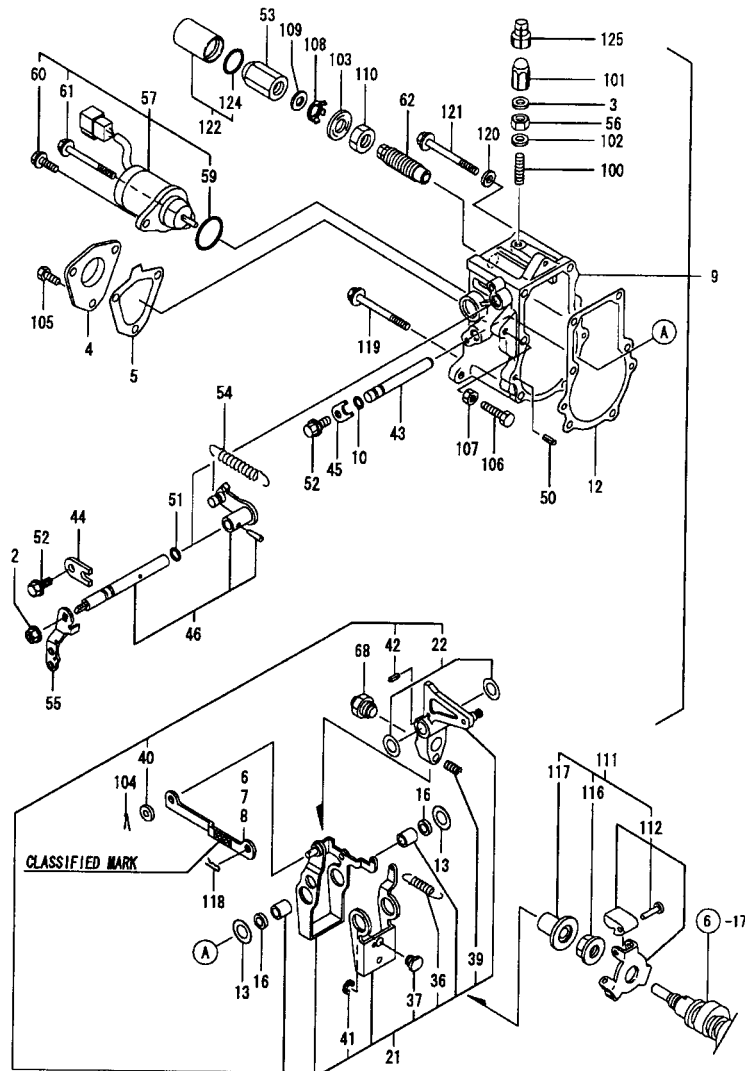


(A)=3TNE74C-ECR (D)=  
 (B)= (E)=  
 (C)= (F)=

REF.	LEV.	PARTS NO.	DESCRIPTION	QTY						I	R
				(A)	(B)	(C)	(D)	(E)	(F)		
1	1	719687-51770	PUMP ASSY, F.INJECT.	1							1
5	2	119620-51101	PLUNGER W/BARREL		3						
8	2	119620-51170	RETAINER		3						
9	2	119620-51180	RETAINER		3						
10	2	119620-51190	SPRING, PLUNGER		3						
11	2	119620-51250	SHIM PACK		3						
23	2	119620-51300	VALVE W/SEAT, DELIV.		3						
26	2	105546-51330	SPRING, DELIV. VALVE		3						
27	2	119620-51340	HOLDER, DELIV. VALVE		3						
28	2	119620-51350	GASKET, DELIVERY		3						
29	2	119620-51370	O-RING		3						
30	2	119620-51450	GUIDE, PLUNGER		3						
31	2	119620-51461	PIN		1						
32	2	119660-51500	RACK		1						
33	2	119620-51510	PINION		3						
34	2	119660-51530	RETAINER, RACK		1						
35	2	119620-51640	PLATE ASSY, ADJUSTING		2						
36	3	119620-51650	PLATE		2						
37	3	119620-51670	PIN		2						
38	2	119620-51660	SCREW		2						
39	2	119620-51680	PIN		1						
40	2	119620-51700	TAPPET ASSY		3						
45	2	26022-040082	SCREW M 4X 8		4						
46	2	26033-040102	SCREW M 4X 10		2						

Remarks  
 (1) GOVERNOR ASSY(FIG.NO.11) IS  
 INCORPORATED IN THIS FUEL  
 INJECTION PUMP ASSY(REF.NO.1).

11. GOVERNOR



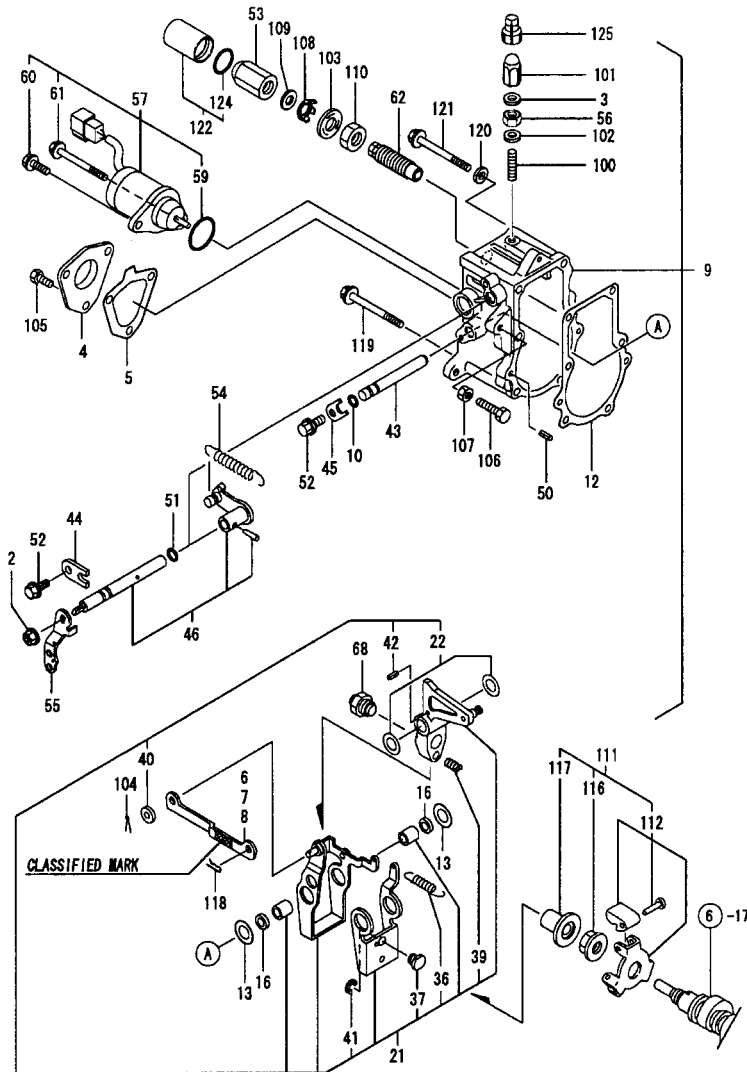
Remarks  
 (1) SELECTIVE PARTS: CERTAIN THE CLASSIFICATION MARK, THEN PLACE YOUR ORDER.(REFER TO ILLUSTRATION).  
 \* THIS FIGURE(GOVERNOR ASSY) IS INCORPORATED IN THE FUEL INJECTION PUMP ASSY(FIG.10).

(A)=3TNE74C-ECR (D)=  
 (B)= (E)=  
 (C)= (F)=

REF.	LEV.	PARTS NO.	DESCRIPTION	QTY						I	R
				(A)	(B)	(C)	(D)	(E)	(F)		
2	2	26366-080002	NUT M 8								
3	2	119285-66620	GASKET M6								
4	2	119660-61060	COVER, GOVERNOR CASE								
5	2	119660-61071	GASKET, (NON-ASB.)								
6	2	119660-61121	LINK L=88.8(NO COLOR)								1
7	2	119660-61140	LINK L=88.6(WHITE)								1
8	2	119660-61150	LINK L=89.0(RED)								1
9	2	119632-61200	CASE ASSY, GOVERNOR								
10	3	129155-51280	O-RING S6								
12	3	119660-61052	GASKET, (NON-ASB.)								
13	3	119660-61460	SHIM SET								
16	3	129155-61480	SPACER ASSY								
21	3	119232-61510	LEVER ASSY, GOVERNOR								
22	4	174307-51700	SHIM SET								
36	4	119232-61540	SPRING, LEVER								
37	4	119600-61541	SHIFTER,P.T.O.								
39	4	119660-61651	SPRING, STARTING								
40	4	22117-040000	WASHER 4								
41	4	22272-000040	CIRCLIP E- 4								
42	4	22351-030014	SPRING PIN 3X14								
43	3	119660-61590	SHAFT								
44	3	119600-61900	RETAINER, SHAFT								
45	3	119660-61901	RETAINER, SHAFT								
46	3	119285-66080	SHAFT ASSY,REGULATOR								
50	3	22351-040010	SPRING PIN 4X10								
51	3	24341-000070	O-RING 1A S-7.0								
52	3	26106-060102	BOLT M 6X 10 PLATED								
53	2	26687-120002	CAP NUT M12								
54	2	119600-66020	SPRING, REGULATOR								
55	2	119621-66051	LEVER, REGULATOR								
56	2	26857-060002	NUT								
57	2	119653-66500	SOLENOID COMP								
59	3	24341-000280	O-RING 1A S-28.0								
60	3	26106-060162	BOLT M 6X 16 PLATED								
61	3	119620-01530	SOLENOID, BOLT								
62	2	119629-66510	TORQUE SPRING ASSY								
68	2	119600-66720	ANGLEICH ASSY								
100	2	121575-66830	SCREW, ADJUST								
101	2	119285-66600	CAPNUT M6								
102	2	22190-060003	WASHER,SEAL 6								
103	2	22190-120002	SEAL WASHER 12								
104	2	22360-040000	SNAP PIN 4								
105	2	26116-050102	BOLT M 5X 10 PLATED								
106	2	119266-61460	BOLT,LOW IDLE SET								
107	2	26756-060002	LOCK NUT 6								
108	2	129209-61970	PLATE								
109	2	23414-120016	GASKET 12								
110	2	26736-120002	NUT M12								
111	1	119600-61300	DRIVING SET, GOV.								
112	2	119600-61400	WEIGHT ASSY, GOV.								
116	2	119660-61300	NUT, GOVERNOR WEIGHT								
117	2	119660-61341	SLEEVE, GOVERNOR								
118	1	22360-060000	SNAP PIN 6								
119	1	26106-060702	BOLT M 6X 70 PLATED								

++ CONTINUE ++

11. GOVERNOR



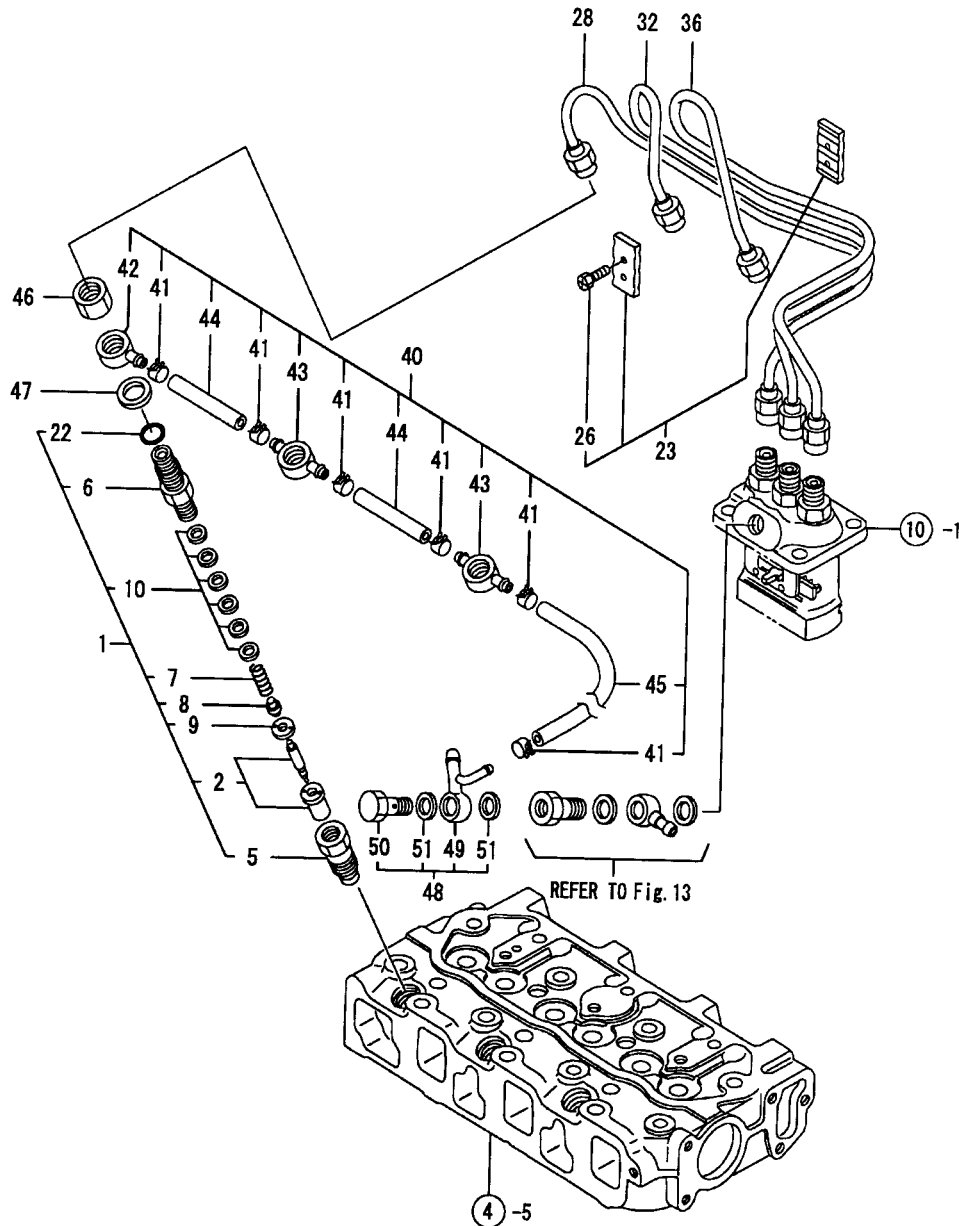
Remarks

(1) SELECTIVE PARTS: CERTAIN THE CLASSIFICATION MARK, THEN PLACE YOUR ORDER.(REFER TO ILLUSTRATION ).  
 \* THIS FIGURE(GOVERNOR ASSY) IS INCORPORATED IN THE FUEL INJECTION PUMP ASSY(FIG.10).

(A)=3TNE74C-ECR (D)=  
 (B)= (E)=  
 (C)= (F)=

REF.	LEV.	PARTS NO.	DESCRIPTION	QTY						I	R
				(A)	(B)	(C)	(D)	(E)	(F)		
120	1	22111-060000	WASHER 6	2							
121	1	26106-060752	BOLT M 6X 75 PLATED	3							
122	1	129209-61940	CASE ASSY	1							
124	2	24311-000150	O-RING 1A P-15.0	1							
125	1	119285-66610	CAP, HIGH-IDLE	1							

12. FUEL INJECTION VALVE



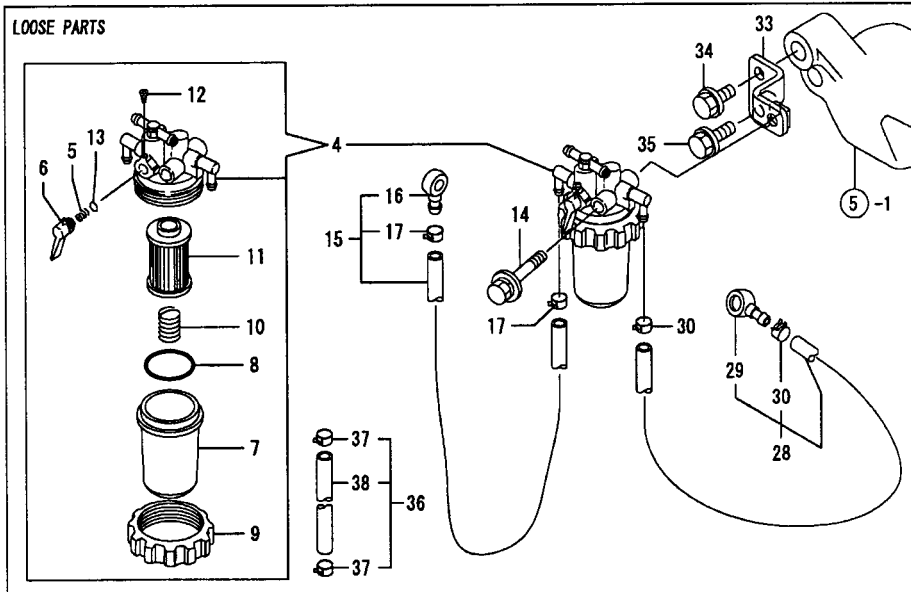
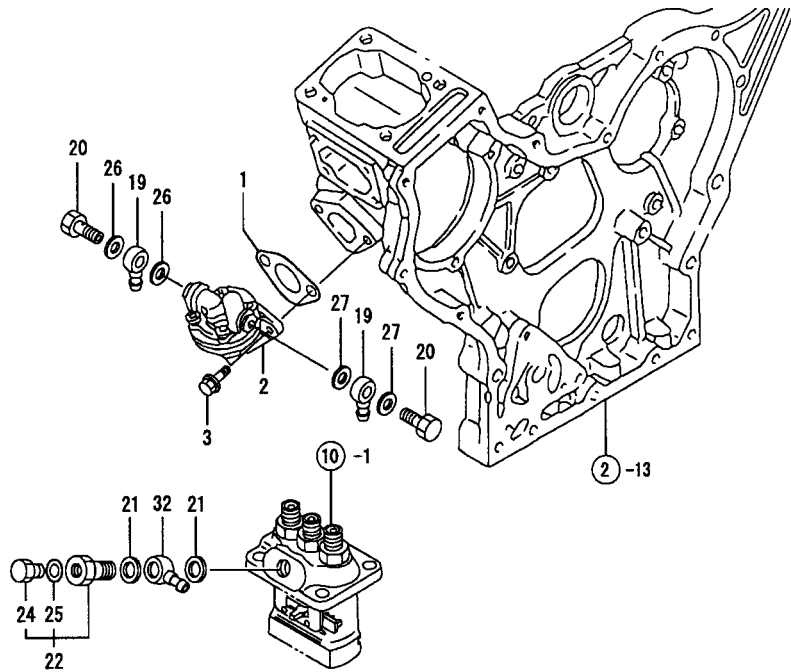
Y00V8720 12. FUEL INJECTION VALVE

REF.	LEV.	PARTS NO.	DESCRIPTION	QTY						
				(A)	(B)	(C)	(D)	(E)	(F)	
1	1	719620-53100	FUEL INJECT.VALVE AS							
2	2	119620-53000	NOZZLE ASSY,F.INJECT							3
5	2	119620-53080	NUT, VALVE W/CASE							3
6	2	119620-53100	HOLDER, VALVE W/CASE							3
7	2	119620-53120	SPRING, VALVE							3
8	2	114250-53130	SEAT, NOZZLE SPRING							3
9	2	119620-53140	SPACER, VALVE STOP							3
10	2	114250-53400	SHIM PACK							3
22	2	129155-61830	O-RING S10							3
23	1	129150-59120	RETAINER, INJ. PIPE							1
26	2	129150-59131	BOLT M4X14,HEX.SCKT.							2
28	1	119620-59811	PIPE (1),FUEL INJECT							1
32	1	119620-59821	PIPE (2),FUEL INJECT							1
36	1	119620-59831	PIPE (3),FUEL INJECT							1
40	1	119266-59540	PIPE ASSY, FUEL OVER							1
41	2	124066-59100	CLAMP 8							6
42	2	119260-59520	JOINT (B)							1
43	2	119260-59530	JOINT (A)							2
44	2	105025-59550	PIPE, FUEL RETURN							2
45	2	119000-59560	PIPE, FUEL RETURN							1
46	1	119620-59700	NUT							3
47	1	22190-140002	SEAL WASHER 14S							3
48	1	119266-59501	PIPE JOINT ASSY							1
49	2	119266-59570	JOINT							1
50	2	119266-59580	BOLT 8,PIPE JOINT							1
51	2	22190-080002	SEAL WASHER 8S							2



Y00V8720

13. FUEL LINE

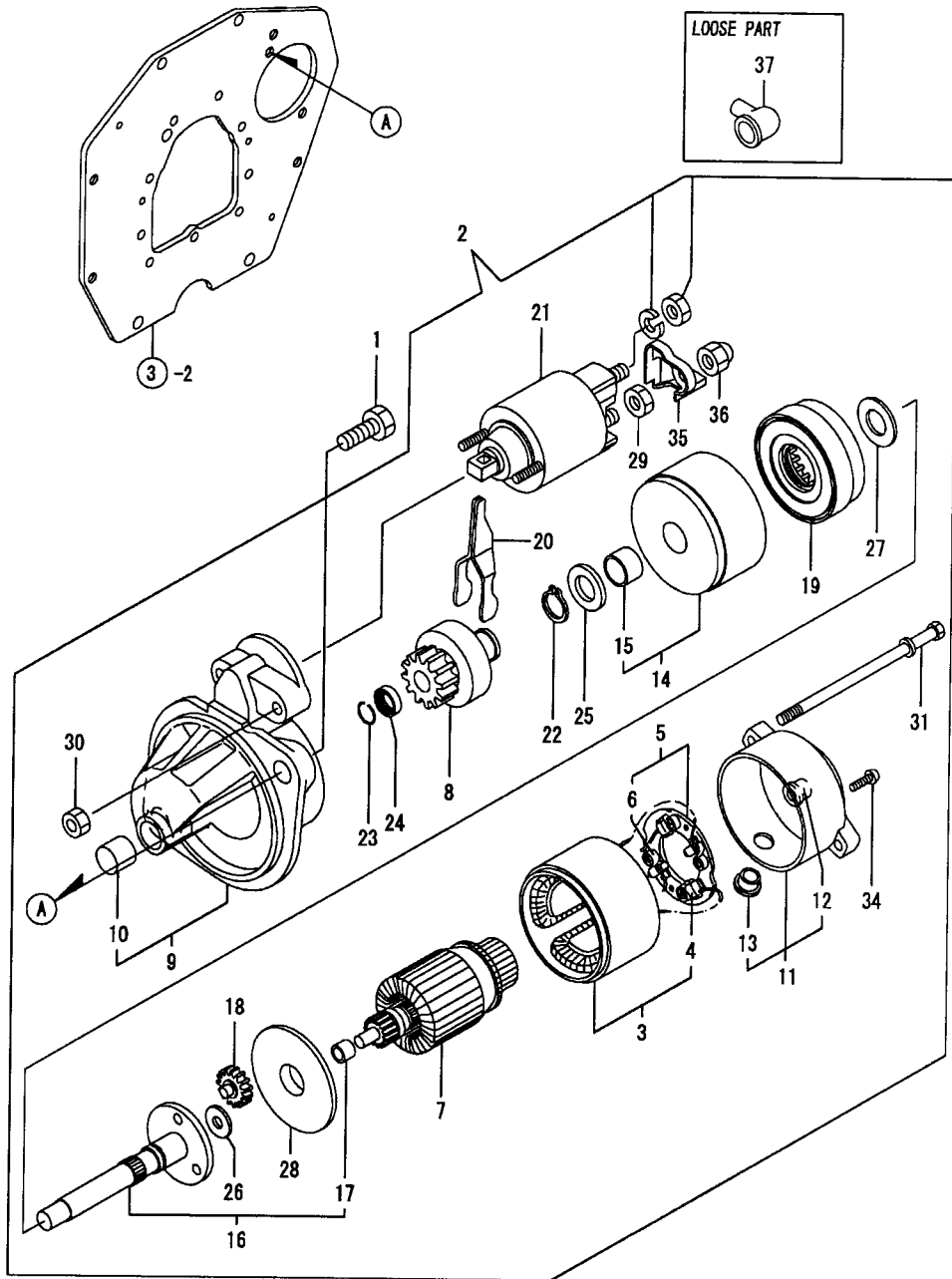


Y00V8720 13. FUEL LINE

(A)=3TNE74C-ECR (D)=  
(B)= (E)=  
(C)= (F)=

REF.	LEV.	PARTS NO.	DESCRIPTION	QTY						I	R
				(A)	(B)	(C)	(D)	(E)	(F)		
1	1	121520-01851	GASKET, (NON-ASB.)	1							
2	1	119600-52021	PUMP ASSY, FUEL FEED	1							
3	1	26014-060202	BOLT M 6X 20	2							
4	1	119255-55620	STRAINER, FUEL	1							
5	2	104200-55330	SPRING, TAPER VALVE	1							
6	2	119810-55340	LEVER	1							
7	2	121254-55510	CUP, STRAINER	1							
8	2	102103-55520	O-RING	1							
9	2	110250-55610	RING, RETAINING	1							
10	2	121250-55620	SPRING	1							
11	2	124550-55700	ELEMENT	1							
12	2	104200-55750	SCREW M 4	1							
13	2	24311-240100	O-RING 1A P-10A	1							
14	1	26014-080702	BOLT W/WASHER M8X 70	1							
15	1	119260-59020	PIPE, FUEL (D12XL400)	1							
16	2	104264-59030	JOINT 8, PIPE	1							
17	2	124766-59050	CLAMP 12	2							
19	1	104264-59030	JOINT 8, PIPE	2							
20	1	105582-59150	BOLT, PIPE JOINT	2							
21	1	22190-120002	SEAL WASHER 12	2							
22	1	103854-59191	BOLT W/PLUG & SEAL	1							
24	2	124060-59380	PLUG	1							
25	2	22190-060002	SEAL WASHER 6S	1							
26	1	22190-080002	SEAL WASHER 8S	2							
27	1	22190-080002	SEAL WASHER 8S	2							
28	1	119621-59010	PIPE ASSY, FUEL	1							
29	2	101304-59020	JOINT 12, PIPE	1							
30	2	124766-59050	CLAMP 12	2							
32	1	101304-59020	JOINT 12, PIPE	1							
33	1	119623-55610	BRACKET, STRAINER	1							
34	1	26106-080162	BOLT M 8X 16 PLATED	1							
35	1	26106-080202	BOLT M 8X 20 PLATED	1							
36	1	719225-59560	PIPE ASSY, FUEL	1							
37	2	124766-59050	CLAMP 12	2							
38	2	119225-59560	PIPE, FUEL OIL	1							

14. STARTING MOTOR



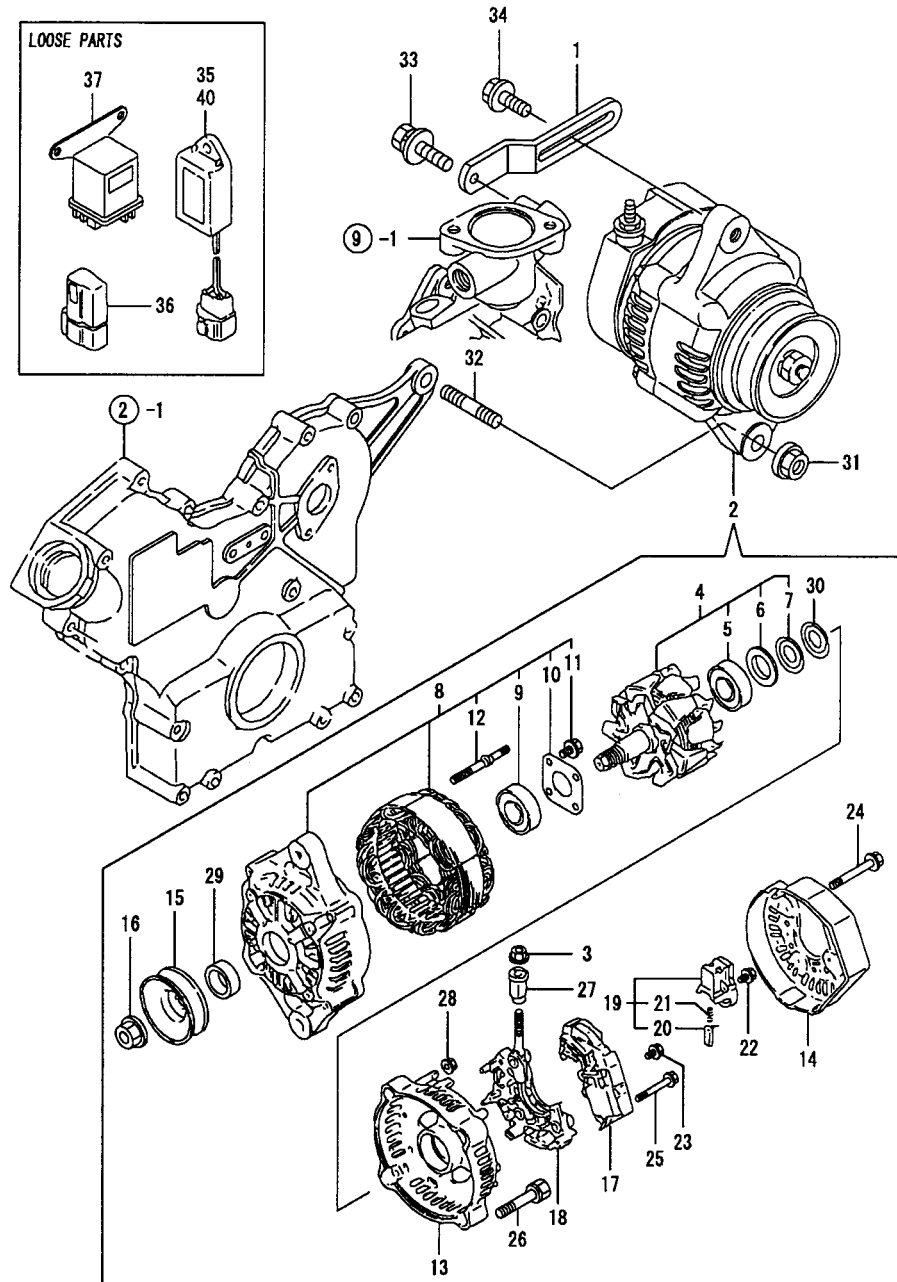
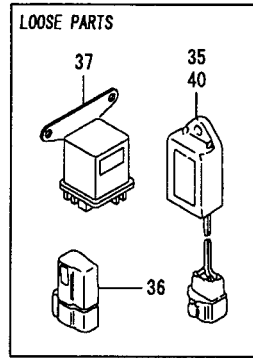
Y00V8720 14. STARTING MOTOR

(A)=3TNE74C-ECR (D)=  
 (B)= (E)=  
 (C)= (F)=

REF.	LEV.	PARTS NO.	DESCRIPTION	QTY						I	R
				(A)	(B)	(C)	(D)	(E)	(F)		
1	1	26116-120252	BOLT M12X 25 PLATED		2						
2	1	119255-77010	STARTER 12V-1.0W		1						
3	2	X0281007680	COIL ASSY, FIELD		1						
4	3	X0280996180	STARTER KIT		2						
5	2	X0285105190	HOLDER ASSY.		1						
6	3	X0285205030	SPRING		4						
7	2	X0282005871	ARMATURE ASSY		1						
8	2	X0283006960	CLUTCH SUB-ASSY.		1						
9	2	X2284005750	HOUSING ASSY		1						
10	3	X9491050100	NEEDLE BEARING		1						
11	2	X0285005770	FRAME ASSY.		1						
12	3	X9491040990	BEARING		1						
13	3	X0280626010	COVER		1						
14	2	X0284105010	BEARING SUB-ASSY.		1						
15	3	X9491034330	BEARING		1						
16	2	X0286105010	SHAFT SUB-ASSY.		1						
17	3	X9491034320	BEARING		1						
18	2	X0286305010	GEAR		3						
19	2	X0286355010	GEAR		1						
20	2	X0287405140	LEVER		1						
21	2	X0534007800	SWITCH, EMERGENCY		1						
22	2	X9055715000	RING		1						
23	2	X9490721360	RING		1						
24	2	X0280210331	NUT		1						
25	2	X9490138110	WASHER		1						
26	2	X9490138090	WASHER		1						
27	2	X9490138100	WASHER		1						
28	2	X0284525010	PLATE		1						
29	2	X9490562360	NUT		1						
30	2	X9490560750	NUT		2						
31	2	X9490423520	BOLT, THROUGH		2						
34	2	X9490065670	SCREW M 4X 6 (BS)		2						
35	2	X0280335360	COVER SET, TERMINAL		1						
36	2	X1289510130	NUT		1						
37	1	124550-77030	COVER, TERMINAL		1						

15. GENERATOR

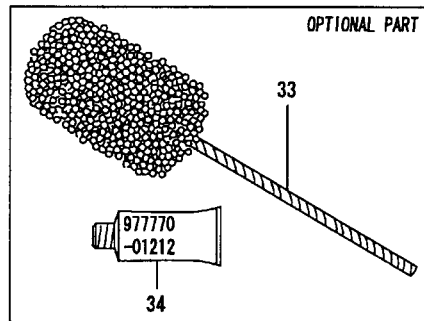
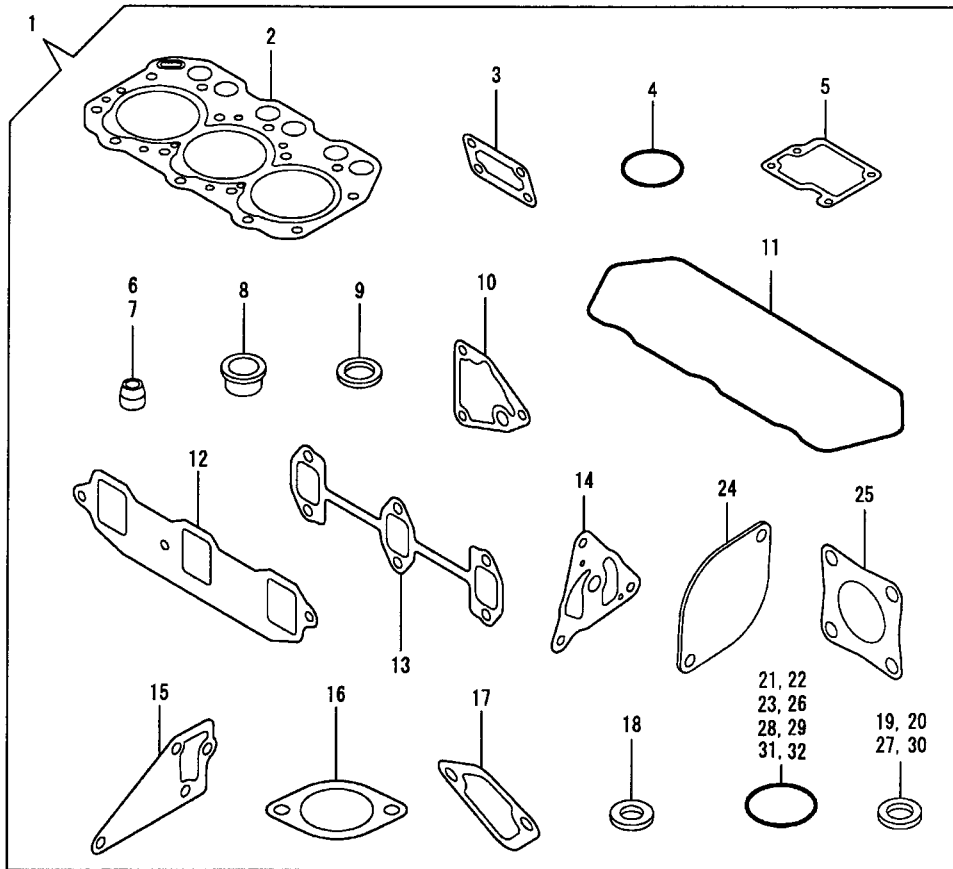
(A)=3TNE74C-ECR (D)=  
 (B)= (E)=  
 (C)= (F)=



REF.	LEV.	PARTS NO.	DESCRIPTION	QTY						I	R
				(A)	(B)	(C)	(D)	(E)	(F)		
1	1	119660-77330	ADJUSTER, BELT	1							
2	1	129423-77200	GENERATOR	1							
3	2	X9490561001	NUT	1							
4	2	119620-77380	ROTOR ASSY	1							
5	3	119620-79240	BALL BEARING	1							
6	3	119620-79250	COVER, BEARING	1							
7	3	119620-79360	THRUST WASHER	1							
8	2	119620-77421	FLAME ASSY, DRIVE	1							
9	3	119620-79200	BALL BEARING	1							
10	3	119620-79210	PLATE	1							
11	3	119620-79220	SCREW	4							
12	3	119620-79230	BOLT, STUD	2							
13	2	119620-77440	FLAME ASSY, REAR	1							
14	2	129423-77450	COVER	1							
15	2	119620-77461	PULLEY	1							
16	2	119620-77471	NUT	1							
17	2	129423-77710	REGULATOR ASSY	1							
18	2	119620-79260	HOLDER	1							
19	2	119620-79270	HOLDER, BRUSH	1							
20	3	119620-77480	BRUSH ASSY	2							
21	3	119620-79280	SPRING	2							
22	2	119620-79290	SCREW	1							
23	2	119620-79300	SCREW	1							
24	2	119620-79310	BOLT	3							
25	2	119620-79320	SCREW W/WASHER	2							
26	2	119620-79330	BOLT	2							
27	2	119620-79340	INSULATION BUSH	1							
28	2	119620-79350	NUT	2							
29	2	119620-77490	COLLAR	1							
30	2	119620-79360	THRUST WASHER	1							
31	1	26306-100002	NUT	1							
32	1	129795-01900	STUD	1							
33	1	26014-080252	BOLT M 8X 25	1							
34	1	26106-080162	BOLT M 8X 16 PLATED	1							
35	1	128300-77920	TIMER	1							
36	1	119643-66900	DIODE	1							
37	1	119650-77910	RELAY, GROW	1							
40	1	129211-77920	TIMER	1							

16. GASKET SET

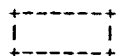
(A)=3TNE74C-ECR (D)=  
 (B)= (E)=  
 (C)= (F)=



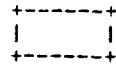
REF.	LEV.	PARTS NO.	DESCRIPTION	QTY						I	R
				(A)	(B)	(C)	(D)	(E)	(F)		
1	1	719789-92680	GASKET KIT	1							1
2	2	119623-01340	GASKET, CYL. HEAD	1							
3	2	119660-01562	GASKET, (NON-ASB.)	1							
4	2	24311-000320	O-RING 1A P-32.0	1							
5	2	119620-03031	GASKET, (NON-ASB.)	1							
6	2	124950-11340	SEAL, VALVE STEM	3							
7	2	124160-11340	SEAL, VALVE STEM	3							
8	2	119600-11450	PROTECTOR, NOZZLE	3							
9	2	119600-11460	GASKET, NOZZLE	6							
10	2	119660-35113	GASKET, (NON-ASB.)	1							
11	2	119620-11310	GASKET, BONNET	1							
12	2	119620-12111	GASKET, (NON-ASB.)	1							
13	2	119620-13110	GASKET, EXH.MANIFOLD	1							
14	2	119660-32020	GASKET, L.O.PUMP	1							
15	2	119620-42021	GASKET, C.W. PUMP	1							
16	2	129350-49541	GASKET, (NON-ASB.)	1							
17	2	121520-01851	GASKET, (NON-ASB.)	1							
18	2	124465-44950	GASKET 16	2							
19	2	22190-120002	SEAL WASHER 12	2							
20	2	22190-140002	SEAL WASHER 14S	3							
21	2	24311-000120	O-RING 1A P 12.0	2							
22	2	24311-240100	O-RING 1A P-10A	1							
23	2	24341-000240	O-RING 1A S-24.0	1							
24	2	119822-01770	RUBBER SEAL	2							
25	2	121000-13201	GASKET, SILENCER	2							
26	2	119609-32040	O-RING P16	1							
27	2	22190-080002	SEAL WASHER 8S	7							
28	2	119209-35030	O-RING	1							
29	2	119624-32040	O-RING P 12.0	2							
30	2	22190-160002	SEAL WASHER 16S	2							
31	2	24321-000600	O-RING 1A G-60.0	1							
32	2	24321-000700	O-RING 1A G70.0,NBR	1							
33	1	129400-92410	FLEX HORN	1							1
34	1	97770-01212	GASKET, LIQUID	1							1

## PARTS INDEX

All parts of this Parts Catalog is arranged by Part No. order  
(depending on the spot where the part is used).  
If you want to know by Part No. where your object part is used,  
please use this Parts Catalog.



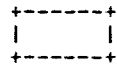
PART NO.	DESCRIPTION	CATALOG NO.	GRP. NO.	REF. NO.	LOC. NO.	PART NO.	DESCRIPTION	CATALOG NO.	GRP. NO.	REF. NO.	LOC. NO.
X0280210331	NUT	Y00V8720	14	24		119000-59560	PIPE, FUEL RETURN	Y00V8720	12	45	
X0280335360	COVER SET, TERMINAL	Y00V8720	14	35		119131-18320	BOLT M 8X 22	Y00V8720	5	7	
X0280626010	COVER	Y00V8720	14	13		119209-35030	O-RING	Y00V8720	8	30	
X0280996180	STARTER KIT	Y00V8720	14	4					16	28	
X0281007680	COIL ASSY, FIELD	Y00V8720	14	3		119225-59560	PIPE, FUEL OIL	Y00V8720	13	38	
X0282005871	ARMATURE ASSY	Y00V8720	14	7		119232-61510	LEVER ASSY, GOVERNOR	Y00V8720	11	21	
X0283006960	CLUTCH SUB-ASSY.	Y00V8720	14	8		119232-61540	SPRING, LEVER	Y00V8720	11	36	
X0284105010	BEARING SUB-ASSY.	Y00V8720	14	14		119255-55620	STRAINER, FUEL	Y00V8720	13	4	
X0284525010	PLATE	Y00V8720	14	28		119255-77010	STARTER 12V-1.0W	Y00V8720	14	2	
X0285005770	FRAME ASSY.	Y00V8720	14	11		119260-07900	LIFTER, ENGINE	Y00V8720	4	2	
X0285105190	HOLDER ASSY.	Y00V8720	14	5		119260-34810	GUIDE, DIPSTICK	Y00V8720	8	13	
X0285205030	SPRING	Y00V8720	14	6		119260-59020	PIPE, FUEL (D12XL400)	Y00V8720	13	15	
X0286105010	SHAFT SUB-ASSY.	Y00V8720	14	16		119260-59520	JOINT (B)	Y00V8720	12	42	
X0286305010	GEAR	Y00V8720	14	18		119260-59530	JOINT (A)	Y00V8720	12	43	
X0286355010	GEAR	Y00V8720	14	19		119265-49090	TUBE, CORRUGATED	Y00V8720	8	40	
X0287405140	LEVER	Y00V8720	14	20		119266-59501	PIPE JOINT ASSY	Y00V8720	12	48	
X0534007800	SWITCH, EMERGENCY	Y00V8720	14	21		119266-59540	PIPE ASSY, FUEL OVER	Y00V8720	12	40	
X1289510130	NUT	Y00V8720	14	36		119266-59570	JOINT	Y00V8720	12	49	
X2284005750	HOUSING ASSY	Y00V8720	14	9		119266-59580	BOLT 8, PIPE JOINT	Y00V8720	12	50	
X9055715000	RING	Y00V8720	14	22		119266-61460	BOLT, LOW IDLE SET	Y00V8720	11	106	
X9490065670	SCREW M 4X 6 (BS)	Y00V8720	14	34		119285-66080	SHAFT ASSY, REGULATOR	Y00V8720	11	46	
X9490138090	WASHER	Y00V8720	14	26		119285-66600	CAPNUT M6	Y00V8720	11	101	
X9490138100	WASHER	Y00V8720	14	27		119285-66610	CAP, HIGH-IDLE	Y00V8720	11	125	
X9490138110	WASHER	Y00V8720	14	25		119285-66620	GASKET M6	Y00V8720	11	3	
X9490423520	BOLT, THROUGH	Y00V8720	14	31		119305-35150	FILTER, LUB. OIL	Y00V8720	8	28	
X9490560750	NUT	Y00V8720	14	30		119370-01740	PIPE, KNOCK	Y00V8720	3	3	
X9490561001	NUT	Y00V8720	15	3		119600-01050	PLUG PT1/4	Y00V8720	1	9	
X9490562360	NUT	Y00V8720	14	29		119600-11450	PROTECTOR, NOZZLE	Y00V8720	4	23	
X9490721360	RING	Y00V8720	14	23					16	8	
X9491034320	BEARING	Y00V8720	14	17		119600-11460	GASKET, NOZZLE	Y00V8720	4	24	
X9491034330	BEARING	Y00V8720	14	15					16	9	
X9491040990	BEARING	Y00V8720	14	12		119600-13100	MANIFOLD, EXHAUST	Y00V8720	5	4	
X9491050100	NEEDLE BEARING	Y00V8720	14	10		119600-52021	PUMP ASSY, FUEL FEED	Y00V8720	13	2	
101304-59020	JOINT 12, PIPE	Y00V8720	13	29		119600-61300	DRIVING SET, GOV.	Y00V8720	11	111	
				32		119600-61400	WEIGHT ASSY, GOV.	Y00V8720	11	112	
102103-55520	O-RING	Y00V8720	13	8		119600-61541	SHIFTER, P.T.O.	Y00V8720	11	37	
103854-59191	BOLT W/PLUG & SEAL	Y00V8720	13	22		119600-61900	RETAINER, SHAFT	Y00V8720	11	44	
104200-55330	SPRING, TAPER VALVE	Y00V8720	13	5		119600-66020	SPRING, REGULATOR	Y00V8720	11	54	
104200-55750	SCREW M 4	Y00V8720	13	12		119600-66720	ANGLEICH ASSY	Y00V8720	11	68	
104211-11370	CAP, VALVE	Y00V8720	4	21		119609-32040	O-RING P16	Y00V8720	8	26	
104264-59030	JOINT 8, PIPE	Y00V8720	13	16					16	26	
				19		119609-42320	O-RING	Y00V8720	9	11	
105010-11230	SCREW, VALVE	Y00V8720	4	32		119610-01490	HOUSING ASSY, GEAR	Y00V8720	2	13	
				36		119610-01590	COVER ASSY, HOUSING	Y00V8720	2	1	
105025-59550	PIPE, FUEL RETURN	Y00V8720	12	44		119620-01200	BOLT, CYLINDER HEAD	Y00V8720	1	23	
105225-23200	BOLT, ROD	Y00V8720	7	26		119620-01530	SOLENOID, BOLT	Y00V8720	11	61	
105425-01690	PLUG M16	Y00V8720	3	6		119620-01620	PARALLEL PIN 6X10	Y00V8720	3	18	
105546-51330	SPRING, DELIV. VALVE	Y00V8720	10	26		119620-01800	SEAL, OIL	Y00V8720	2	3	
105582-59150	BOLT, PIPE JOINT	Y00V8720	13	20		119620-02020	BOLT	Y00V8720	1	11	
110250-55610	RING, RETAINING	Y00V8720	13	9		119620-02450	BEARING, THRUST	Y00V8720	6	4	
114250-53130	SEAT, NOZZLE SPRING	Y00V8720	12	8		119620-03020	PLATE, SHELTER	Y00V8720	4	45	
114250-53400	SHIM PACK	Y00V8720	12	10		119620-03031	GASKET, (NON-ASB.)	Y00V8720	4	46	
114399-22300	PISTON PIN	Y00V8720	7	20					16	5	
118400-03060	JOINT, BREATHER	Y00V8720	4	49		119620-11110	VALVE, EXHAUST	Y00V8720	4	15	



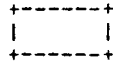
PART NO.	DESCRIPTION	CATALOG NO.	GRP. NO.	REF. NO.	LOC. NO.	PART NO.	DESCRIPTION	CATALOG NO.	GRP. NO.	REF. NO.	LOC. NO.
119620-11120	SPRING, VALVE	Y00V8720	4	16		119620-77471	NUT	Y00V8720	15	16	
119620-11180	RETAINER, SPRING	Y00V8720	4	17		119620-77480	BRUSH ASSY	Y00V8720	15	20	
119620-11200	SUPPORT ASSY, ARM	Y00V8720	4	25		119620-77490	COLLAR	Y00V8720	15	29	
119620-11240	SHAFT ASSY, ROCKER	Y00V8720	4	26		119620-79200	BALL BEARING	Y00V8720	15	9	
119620-11260	SUPPORT, ROCKER ARM	Y00V8720	4	29		119620-79210	PLATE	Y00V8720	15	10	
119620-11280	SPRING	Y00V8720	4	30		119620-79220	SCREW	Y00V8720	15	11	
119620-11310	GASKET, BONNET	Y00V8720	4	48		119620-79230	BOLT, STUD	Y00V8720	15	12	
			16	11		119620-79240	BALL BEARING	Y00V8720	15	5	
119620-11350	STUD	Y00V8720	4	41		119620-79250	COVER, BEARING	Y00V8720	15	6	
119620-11801	GUIDE, VALVE	Y00V8720	4	8		119620-79260	HOLDER	Y00V8720	15	18	
119620-12111	GASKET, (NON-ASB.)	Y00V8720	5	2		119620-79270	HOLDER, BRUSH	Y00V8720	15	19	
			16	12		119620-79280	SPRING	Y00V8720	15	21	
119620-13110	GASKET, EXH.MANIFOLD	Y00V8720	5	5		119620-79290	SCREW	Y00V8720	15	22	
			16	13		119620-79300	SCREW	Y00V8720	15	23	
119620-14100	GEAR, CAMSHAFT	Y00V8720	6	6		119620-79310	BOLT	Y00V8720	15	24	
119620-14200	TAPPET	Y00V8720	6	1		119620-79320	SCREW W/WASHER	Y00V8720	15	25	
119620-14401	ROD, PUSH	Y00V8720	6	2		119620-79330	BOLT	Y00V8720	15	26	
119620-21941	WASHER	Y00V8720	7	9		119620-79340	INSULATION BUSH	Y00V8720	15	27	
119620-23910	BUSH, PISTON PIN	Y00V8720	7	24		119620-79350	NUT	Y00V8720	15	28	
119620-25102	GEAR W/BUSH, IDLE	Y00V8720	6	10		119620-79360	THRUST WASHER	Y00V8720	15	7	
119620-25912	BUSH	Y00V8720	6	12						30	
119620-42021	GASKET, C.W. PUMP	Y00V8720	9	13		119621-21680	BOLT M12X1.25, FLANGE	Y00V8720	7	8	
			16	15		119621-59010	PIPE ASSY, FUEL	Y00V8720	13	28	
119620-51101	PLUNGER W/BARREL	Y00V8720	10	5		119621-66051	LEVER, REGULATOR	Y00V8720	11	55	
119620-51170	RETAINER	Y00V8720	10	8		119623-01250	PLUG 45	Y00V8720	1	10	
119620-51180	RETAINER	Y00V8720	10	9		119623-01340	GASKET, CYL. HEAD	Y00V8720	1	24	
119620-51190	SPRING, PLUNGER	Y00V8720	10	10					16	2	
119620-51250	SHIM PACK	Y00V8720	10	11		119623-01600	FLANGE, MOUNTING	Y00V8720	3	2	
119620-51300	VALVE W/SEAT, DELIV.	Y00V8720	10	23		119623-01750	SPACER, OIL SUMP	Y00V8720	3	4	
119620-51340	HOLDER, DELIV. VALVE	Y00V8720	10	27		119623-01780	SUMP, LUB.OIL	Y00V8720	3	5	
119620-51350	GASKET, DELIVERY	Y00V8720	10	28		119623-01950	SHIM PACK	Y00V8720	2	21	
119620-51370	O-RING	Y00V8720	10	29		119623-11100	VALVE, INTAKE	Y00V8720	4	14	
119620-51450	GUIDE, PLUNGER	Y00V8720	10	30		119623-12100	MANIFOLD, INTAKE	Y00V8720	5	1	
119620-51461	PIN	Y00V8720	10	31		119623-21590	FLYWHEEL ASSY	Y00V8720	7	11	
119620-51510	PINION	Y00V8720	10	33		119623-21700	CRANKSHAFT ASSY	Y00V8720	7	1	
119620-51640	PLATE ASSY, ADJUSTING	Y00V8720	10	35		119623-22080	PISTON W/RING	Y00V8720	7	14	
119620-51650	PLATE	Y00V8720	10	36		119623-22500	RING SET, PISTON	Y00V8720	7	16	
119620-51660	SCREW	Y00V8720	10	38		119623-22900	PISTON ASSY(O.S=0.25	Y00V8720	7	29	
119620-51670	PIN	Y00V8720	10	37		119623-22950	RING COMP., 0.25 O.S.	Y00V8720	7	31	
119620-51680	PIN	Y00V8720	10	39		119623-34810	GUIDE, DIPSTICK	Y00V8720	8	45	
119620-51700	TAPPET ASSY	Y00V8720	10	40		119623-34850	DIPSTICK, LUB.OIL	Y00V8720	8	14	
119620-53000	NOZZLE ASSY, F. INJECT	Y00V8720	12	2		119623-35000	BRACKET	Y00V8720	8	15	
119620-53080	NUT, VALVE W/CASE	Y00V8720	12	5		119623-35070	PIPE ASSY, OIL INTAKE	Y00V8720	8	29	
119620-53100	HOLDER, VALVE W/CASE	Y00V8720	12	6		119623-35300	VALVE ASSY, OIL PRESS	Y00V8720	8	17	
119620-53120	SPRING, VALVE	Y00V8720	12	7		119623-55610	BRACKET, STRAINER	Y00V8720	13	33	
119620-53140	SPACER, VALVE STOP	Y00V8720	12	9		119624-02410	BUSH	Y00V8720	1	21	
119620-59700	NUT	Y00V8720	12	46		119624-32040	O-RING P 12.0	Y00V8720	2	5	
119620-59811	PIPE (1), FUEL INJECT	Y00V8720	12	28					16	29	
119620-59821	PIPE (2), FUEL INJECT	Y00V8720	12	32		119629-14580	CAMSHAFT ASSY	Y00V8720	6	3	
119620-59831	PIPE (3), FUEL INJECT	Y00V8720	12	36		119629-66510	TORQUE SPRING ASSY	Y00V8720	11	62	
119620-77380	ROTOR ASSY	Y00V8720	15	4		119632-61200	CASE ASSY, GOVERNOR	Y00V8720	11	9	
119620-77421	FLAME ASSY, DRIVE	Y00V8720	15	8		119642-33030	COOLER, OIL	Y00V8720	8	34	
119620-77440	FLAME ASSY, REAR	Y00V8720	15	13		119642-33100	BRACKET	Y00V8720	8	35	
119620-77461	PULLEY	Y00V8720	15	15		119642-49030	PIPE	Y00V8720	8	37	

PART NO.	DESCRIPTION	CATALOG NO.	GRP. NO.	REF. NO.	LOC. NO.	PART NO.	DESCRIPTION	CATALOG NO.	GRP. NO.	REF. NO.	LOC. NO.
119642-49050	PIPE ASSY	Y00V8720	8	38		121023-01550	COVER, BLIND	Y00V8720	2	32	
119643-66900	DIODE	Y00V8720	15	36		121111-21501	BOLT, FLYWHEEL	Y00V8720	7	10	
119644-21200	CRANKGEAR	Y00V8720	7	4		121250-44901	SWITCH, THERMO(110°C	Y00V8720	9	23	
119645-77820	CONNECTOR, GLOW PLUG	Y00V8720	4	52		121250-55620	SPRING	Y00V8720	13	10	
119650-77910	RELAY, GROW	Y00V8720	15	37		121252-39450	SENDER, OIL PRESSURE	Y00V8720	8	32	
119653-21660	V-PULLEY	Y00V8720	7	7		121254-55510	CUP, STRAINER	Y00V8720	13	7	
119653-66500	SOLENOID COMP	Y00V8720	11	57		121450-01560	STUD M 8X 22	Y00V8720	2	16	
119656-42291	V-BELT (36-INCH)	Y00V8720	9	15		121450-42450	PLUG M16	Y00V8720	9	25	
119657-11351	BONNET ASSY	Y00V8720	4	44		121520-01851	GASKET, (NON-ASB.)	Y00V8720	13	1	
119660-01540	PLUG 10X14	Y00V8720	2	15					16	17	
119660-01551	COVER	Y00V8720	2	18		121550-49111	JOINT PT1/4	Y00V8720	9	28	
119660-01562	GASKET, (NON-ASB.)	Y00V8720	2	19		121575-66830	SCREW, ADJUST	Y00V8720	11	100	
			16	3		121851-11970	JOINT, PIPE	Y00V8720	8	33	
119660-01570	STUD M6X12	Y00V8720	2	20		124060-21600	GEAR, RING	Y00V8720	7	13	
119660-01640	CASE ASSY, OIL SEAL	Y00V8720	3	19		124060-59380	PLUG	Y00V8720	13	24	
119660-01821	BEARING, FUEL CAM.	Y00V8720	6	16		124066-59100	CLAMP 8	Y00V8720	12	41	
119660-01911	PIPE, KNOCK	Y00V8720	2	4		124085-02220	SEAL, OIL	Y00V8720	3	21	
119660-25022	RETAINER, IDLE GEAR	Y00V8720	6	8		124160-01751	COVER, FILLER	Y00V8720	2	11	
119660-25052	SHAFT, IDLE GEAR	Y00V8720	6	9		124160-11340	SEAL, VALVE STEM	Y00V8720	4	19	
119660-25920	FLANGE	Y00V8720	6	22					16	7	
119660-25930	THREAD, FI-P GEAR	Y00V8720	6	23		124160-11360	KNOB	Y00V8720	4	53	
119660-32001	PUMP ASSY, LUB. OIL	Y00V8720	8	1		124465-44950	GASKET 16	Y00V8720	9	24	
119660-32020	GASKET, L.O.PUMP	Y00V8720	8	11						26	
			16	14						16	18
119660-35102	BRACKET, OIL FILTER	Y00V8720	8	16		124550-55700	ELEMENT	Y00V8720	13	11	
119660-35113	GASKET, (NON-ASB.)	Y00V8720	8	27		124550-77030	COVER, TERMINAL	Y00V8720	14	37	
			16	10		124766-59050	CLAMP 12	Y00V8720	13	17	
119660-42008	PUMP ASSY, C.WATER	Y00V8720	9	1						30	
119660-42052	GASKET, (NON-ASB.)	Y00V8720	9	4						37	
119660-42121	PLATE	Y00V8720	9	5		124950-11340	SEAL, VALVE STEM	Y00V8720	4	20	
119660-42350	V-PULLEY, C.W. PUMP	Y00V8720	9	16						16	6
119660-51500	RACK	Y00V8720	10	32		128300-77920	TIMER	Y00V8720	15	35	
119660-51530	RETAINER, RACK	Y00V8720	10	34		129030-44760	SPACER	Y00V8720	9	27	
119660-61052	GASKET, (NON-ASB.)	Y00V8720	11	12		129054-13210	STUD, M8X55	Y00V8720	5	9	
119660-61060	COVER, GOVERNOR CASE	Y00V8720	11	4		129100-01580	PARALLEL PIN 8X16	Y00V8720	3	1	
119660-61071	GASKET, (NON-ASB.)	Y00V8720	11	5						17	
119660-61121	LINK L=88.8(NO COLOR	Y00V8720	11	6						7	2
119660-61140	LINK L=88.6(WHITE)	Y00V8720	11	7		129122-44480	JOINT	Y00V8720	8	36	
119660-61150	LINK L=89.0(RED)	Y00V8720	11	8		129150-35350	NUT	Y00V8720	8	25	
119660-61300	NUT, GOVERNOR WEIGHT	Y00V8720	11	116		129150-59120	RETAINER, INJ. PIPE	Y00V8720	12	23	
119660-61341	SLEEVE, GOVERNOR	Y00V8720	11	117		129150-59131	BOLT M4X14,HEX.SCKT.	Y00V8720	12	26	
119660-61460	SHIM SET	Y00V8720	11	13		129155-51280	O-RING S6	Y00V8720	11	10	
119660-61590	SHAFT	Y00V8720	11	43		129155-61480	SPACER ASSY	Y00V8720	11	16	
119660-61651	SPRING, STARTING	Y00V8720	11	39		129155-61830	O-RING S10	Y00V8720	12	22	
119660-61901	RETAINER, SHAFT	Y00V8720	11	45		129209-61940	CASE ASSY	Y00V8720	11	122	
119660-77330	ADJUSTER, BELT	Y00V8720	15	1		129209-61970	PLATE	Y00V8720	11	108	
119802-13600	BOLT M 8X 40 PLATED	Y00V8720	5	8		129211-77920	TIMER	Y00V8720	15	40	
119807-11770	CAP, LUB.OIL SUPPLY	Y00V8720	4	50		129350-49530	COVER, THERMOSTAT	Y00V8720	9	19	
119810-55340	LEVER	Y00V8720	13	6		129350-49541	GASKET, (NON-ASB.)	Y00V8720	9	20	
119822-01760	COVER	Y00V8720	3	8						16	16
119822-01770	RUBBER SEAL	Y00V8720	3	9		129350-49800	THERMOSTAT (71°C	Y00V8720	9	21	
			16	24		129400-92410	FLEX HORN	Y00V8720	16	33	
121000-13201	GASKET, SILENCER	Y00V8720	5	6		129423-77200	GENERATOR	Y00V8720	15	2	
			16	25		129423-77450	COVER	Y00V8720	15	14	





PART NO.	DESCRIPTION	CATALOG NO.	GRP. NO.	REF. NO.	LOC. NO.	PART NO.	DESCRIPTION	CATALOG NO.	GRP. NO.	REF. NO.	LOC. NO.
129423-77710	REGULATOR ASSY	Y00V8720	15	17		24321-000600	O-RING 1A G-60.0	Y00V8720	16	31	
129795-01900	STUD	Y00V8720	15	32		24321-000700	O-RING 1A G70.0,NBR	Y00V8720	8	43	
129795-77800	PLUG, GLOW	Y00V8720	4	55					16	32	
171340-44740	FAN, COOLING	Y00V8720	9	17		24341-000070	O-RING 1A S-7.0	Y00V8720	11	51	
174307-51700	SHIM SET	Y00V8720	11	22		24341-000240	O-RING 1A S-24.0	Y00V8720	2	33	
194990-22050	NUT W/WASHER 8	Y00V8720	2	30					16	23	
22111-060000	WASHER 6	Y00V8720	11	120		24341-000280	O-RING 1A S-28.0	Y00V8720	11	59	
22117-040000	WASHER 4	Y00V8720	11	40		26014-060202	BOLT M 6X 20	Y00V8720	13	3	
22190-060002	SEAL WASHER 6S	Y00V8720	13	25		26014-080252	BOLT M 8X 25	Y00V8720	15	33	
22190-060003	WASHER, SEAL 6	Y00V8720	11	102		26014-080702	BOLT W/WASHER M8X 70	Y00V8720	13	14	
22190-080002	SEAL WASHER 8S	Y00V8720	3	10		26022-040082	SCREW M 4X 8	Y00V8720	10	45	
			12	51		26033-040102	SCREW M 4X 10	Y00V8720	10	46	
			13	26		26076-100222	BOLT 10* 22	Y00V8720	3	13	
				27		26106-060102	BOLT M 6X 10 PLATED	Y00V8720	8	31	
			16	27						47	
22190-120002	SEAL WASHER 12	Y00V8720	11	103		26106-060122	BOLT M 6X 12 PLATED	Y00V8720	11	52	
			13	21					1	22	
			16	19					6	15	
22190-140002	SEAL WASHER 14S	Y00V8720	12	47		26106-060162	BOLT M 6X 16 PLATED	Y00V8720	2	6	
			16	20						34	
22190-160002	SEAL WASHER 16S	Y00V8720	3	11					6	25	
			16	30					11	60	
22242-000120	CIRCLIP 12	Y00V8720	4	39		26106-060202	BOLT M 6X 20 PLATED	Y00V8720	5	3	
22242-000200	CIRCLIP 20	Y00V8720	6	14		26106-060222	BOLT M 6X 22 PLATED	Y00V8720	3	22	
22252-000210	CIRCLIP 21	Y00V8720	7	21		26106-060282	BOLT M 6X 28 PLATED	Y00V8720	3	14	
22272-000040	CIRCLIP E- 4	Y00V8720	11	41		26106-060302	BOLT M 6X 30 PLATED	Y00V8720	2	7	
22351-030012	SPRING PIN 3X12	Y00V8720	7	37		26106-060502	BOLT M 6X 50 PLATED	Y00V8720	9	18	
22351-030014	SPRING PIN 3X14	Y00V8720	11	42		26106-060602	BOLT M 6X 60 PLATED	Y00V8720	2	8	
22351-040010	SPRING PIN 4X10	Y00V8720	2	17						9	
			11	50		26106-060702	BOLT M 6X 70 PLATED	Y00V8720	11	119	
22351-060012	SPRING PIN 6X12	Y00V8720	4	22		26106-060752	BOLT M 6X 75 PLATED	Y00V8720	11	121	
22360-040000	SNAP PIN 4	Y00V8720	11	104		26106-060802	BOLT M 6X 80 PLATED	Y00V8720	2	10	
22360-060000	SNAP PIN 6	Y00V8720	11	118		26106-080142	BOLT M 8X 14 PLATED	Y00V8720	4	3	
22512-040120	KEY 4X 12	Y00V8720	6	7						4	
				20		26106-080162	BOLT M 8X 16 PLATED	Y00V8720	3	12	
			7	5					13	34	
22857-500100	SCREW 5X10, TAPPING	Y00V8720	4	51					15	34	
23000-022090	CLAMP 22	Y00V8720	8	41		26106-080202	BOLT M 8X 20 PLATED	Y00V8720	8	44	
23065-120500	PIPE, VINYL 12X 500	Y00V8720	4	1					9	22	
23414-120016	GASKET 12	Y00V8720	11	109					13	35	
23876-010000	PLUG PT1/8, SCREW	Y00V8720	1	12		26106-080252	BOLT M 8X 25 PLATED	Y00V8720	3	15	
23876-020000	PLUG 1/4	Y00V8720	4	11		26106-080452	BOLT M 8X 45 PLATED	Y00V8720	3	16	
23876-030000	PLUG PT3/8, SCREW	Y00V8720	9	12					4	42	
24101-062034	BALL BEARING	Y00V8720	6	24					9	14	
24102-063034	BALL BEARING 6303U	Y00V8720	6	21		26116-050102	BOLT M 5X 10 PLATED	Y00V8720	11	105	
24311-000120	O-RING 1A P 12.0	Y00V8720	4	54		26116-120252	BOLT M12X 25 PLATED	Y00V8720	14	1	
			16	21		26306-080002	NUT	Y00V8720	4	43	
24311-000150	O-RING 1A P-15.0	Y00V8720	11	124					5	10	
24311-000320	O-RING 1A P-32.0	Y00V8720	2	12		26306-100002	NUT	Y00V8720	15	31	
			16	4		26366-060002	NUT M 6	Y00V8720	2	31	
24311-240100	O-RING 1A P-10A	Y00V8720	8	46		26366-080002	NUT M 8	Y00V8720	11	2	
			13	13		26450-060202	BOLT M 6X 20	Y00V8720	8	12	
			16	22		26577-060122	SCREW M 6X 12	Y00V8720	9	10	
24321-000600	O-RING 1A G-60.0	Y00V8720	8	42		26587-080102	SCREW M 8X 10	Y00V8720	6	26	



PART NO.	DESCRIPTION	CATALOG NO.	GRP. NO.	REF. NO.	LOC. NO.	PART NO.	DESCRIPTION	CATALOG NO.	GRP. NO.	REF. NO.	LOC. NO.
26687-120002	CAP NUT M12	Y00V8720	11	53							
26736-120002	NUT M12	Y00V8720	11	110							
26756-060002	LOCK NUT 6	Y00V8720	11	107							
26856-060002	LOCK NUT 6	Y00V8720	4	34							
				38							
26857-060002	NUT	Y00V8720	11	56							
26979-050162	SCREW M 5X16	Y00V8720	4	40							
27221-050080	PLUG 5X 8	Y00V8720	4	12							
27241-120000	PLUG 12	Y00V8720	1	13							
27241-300000	PLUG 30	Y00V8720	1	14							
27241-400000	PLUG 40	Y00V8720	4	13							
27310-070000	COTTER	Y00V8720	4	18							
719225-59560	PIPE ASSY, FUEL	Y00V8720	13	36							
719620-02800	MAIN BEARING	Y00V8720	1	15							
719620-02870	MAIN BEARING US=0.25	Y00V8720	1	25							
719620-02930	BEARING, THRUST	Y00V8720	1	18							
719620-11650	ARM ASSY, ROCKER	Y00V8720	4	31							
719620-11660	ARM ASSY, ROCKER	Y00V8720	4	35							
719620-23100	ROD ASSY, CONNECTING	Y00V8720	7	22							
719620-23600	BEARING, CRANKPIN	Y00V8720	7	27							
719620-23610	BEARING, PIN U.S.=0.25	Y00V8720	7	35							
719620-53100	FUEL INJECT. VALVE AS	Y00V8720	12	1							
719623-01560	9LUC ASSY, CYLINDER	Y00V8720	1	1							
719623-11700	HEAD ASSY, CYLINDER	Y00V8720	4	5							
719660-14600	CAM ASSY, F.I. PUMP	Y00V8720	6	17							
719687-51770	PUMP ASSY, F.INJECT.	Y00V8720	10	1							
719789-92680	GASKET KIT	Y00V8720	16	1							
977770-01212	GASKET, LIQUID	Y00V8720	2	35							
				3							
				23							
				16							
				34							