

**YANMAR  
DIESEL  
ENGINE**

**YANMAR**

**PARTS CATALOG**

**MODEL**

**3TNE82AC-ECR**

( CARRARO )

---

Published

Jan.,2003

000Y00V8500

# PREFACE

1. This Parts Catalog carries all parts incorporated in YANMAR Model 3TNE82A-ECR engine manufactured since November, 2002.

2. Each illustration corresponds to the parts list on the following page.

3. When ordering parts, clearly write down the engine model and serial number, as well as the name and number of each part in your order sheet. This will help insure reliable delivery of the parts you have ordered.

## How to read this Parts Catalog.

1. Parts mentioned in this Parts Catalog may not necessarily be standard equipping parts.
2. Parts change may be made without prior notice.
3. Form of this Parts Catalog.

REF. NO.	LEV.	PART NO.	DESCRIPTION	QTY	UNIT	REMARKS
1	1	729595-51390	FUEL INJECTION PUMP	1	1	(A) 4JH-DT (D) 4JH-DTZA (E) 4JH-DTZ (F) 4JH-DTZP
1-1	1	26022-060162	FUEL INJECTION PUMP	1	1	(A) 4JH-DT (D) 4JH-DTZA (E) 4JH-DTZ (F) 4JH-DTZP
1-3-1	1	26022-060162	SCREW M 6X 16	9	9	
4	1	129470-51040	CRANKSHAFT	1	1	
5	1	122710-51050	BEARING, ROLLER	2	2	
6	1	120170-51050	RETAINER	1	1	
7	1		OIL	1	1	

### ① Ref. No.

The Ref. No. in the list may not be accord with the Ref. No. on illustration.

(Ex.) Illustration No. List need No.

1 1 (Before change) → 1-1 (After change)

When interchangeable symbol N, R and K, illustrations for the new parts are sometimes omitted.

### ② Lev.(Level)

Indication and Meaning of Level

Level: Hereunder is given the relation among the number of dots (·), the level and the nominal parent-child relationship.

• .....Parent parts(Assembly parts)

•• .....Child parts included in "••"(Semi-Assembly parts, component parts of Assembly parts.)

••• .....Child parts included in "•••".Grand-child parts in terms of "••". (Component parts of Semi-Assembly parts.)

Note) A part of non-sale parts are illustrated but not listed.

### ③ Change Mark

Change Mark "T" is given to the part for which a design change was made at this time. The design change was not shown in the last published Parts Catalog.

### ④ Interchangeability Mark

In the case where a part change took place, one of the following interchangeability marks is indicated for that part.

Symbol	Interchangeability	Contents note
N	Old ↔ NEW	New Part is interchangeable for Old Part but not interchangeable conversely.
Q	Old ↔ NEW	New Part is not interchangeable for Old Part but interchangeable conversely.
R	Old ↔ NEW	New Part is interchangeable for Old Part and vice versa.
S	Old ↔ NEW	New Part is not interchangeable for Old Part and vice versa.
W		Part newly added.
Z		Part discontinued.
F		Not interchangeable single part but interchangeable by set of the related parts.
K		Changed only in quantity used.

### ⑤ Effective Machine No.

When a part is changed, Effective Machine No. of a Model for which the part is applicable is indicated in each column of (A) - (F).

Product symbol	Product No.	Product symbol	Product No.
C	Clutch No., Copressor No.	M	Machine No.
D	Drive No.	T	Tractor No.
E	Engine No.	Note1) *	Date

Note1) Date may follow the symbol in some cases. (Ex.) \*1990. 02

Note2) As far as engine models shown by "XXX" are concerned, the modification of the parts could not be predicted or the engine models themselves could not be identified.

Note3) (A=E00185) means that the design change on the part has been effective for the model at the column (A) (in this case, for 4JH-DT) on and from E(Engine Serial Number) 00185.

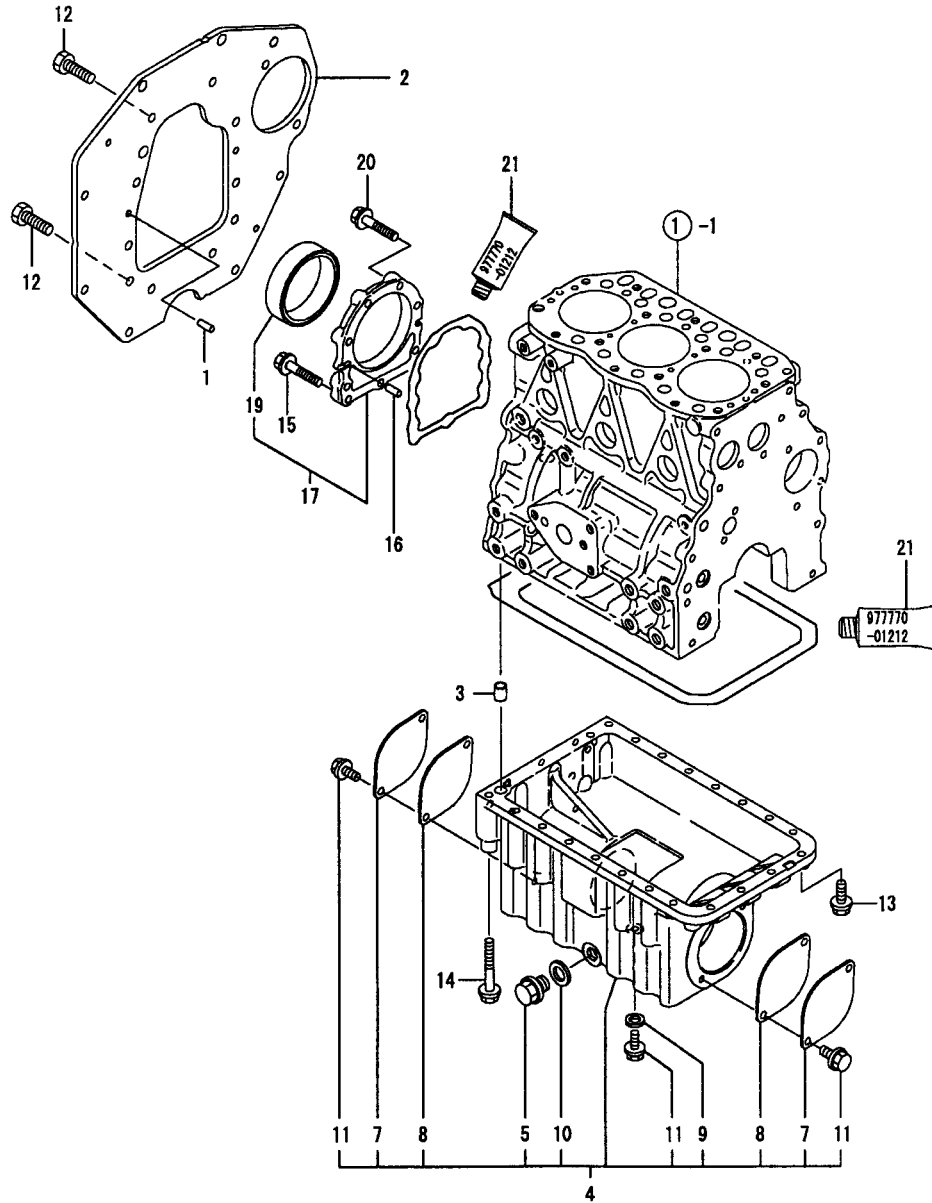
### ⑥ Remarks Mark

Figures or alphabets (Symbols) are entered in the remark column.

The comments (remarks) on the pertinent parts are indicated in the lower part of the list by the same symbols as those stated above.



3. MOUNTING FLANGE & OIL SUMP



Remarks  
(1) OPTIONAL PART.

Y00V8500 3. MOUNTING FLANGE & OIL SUMP

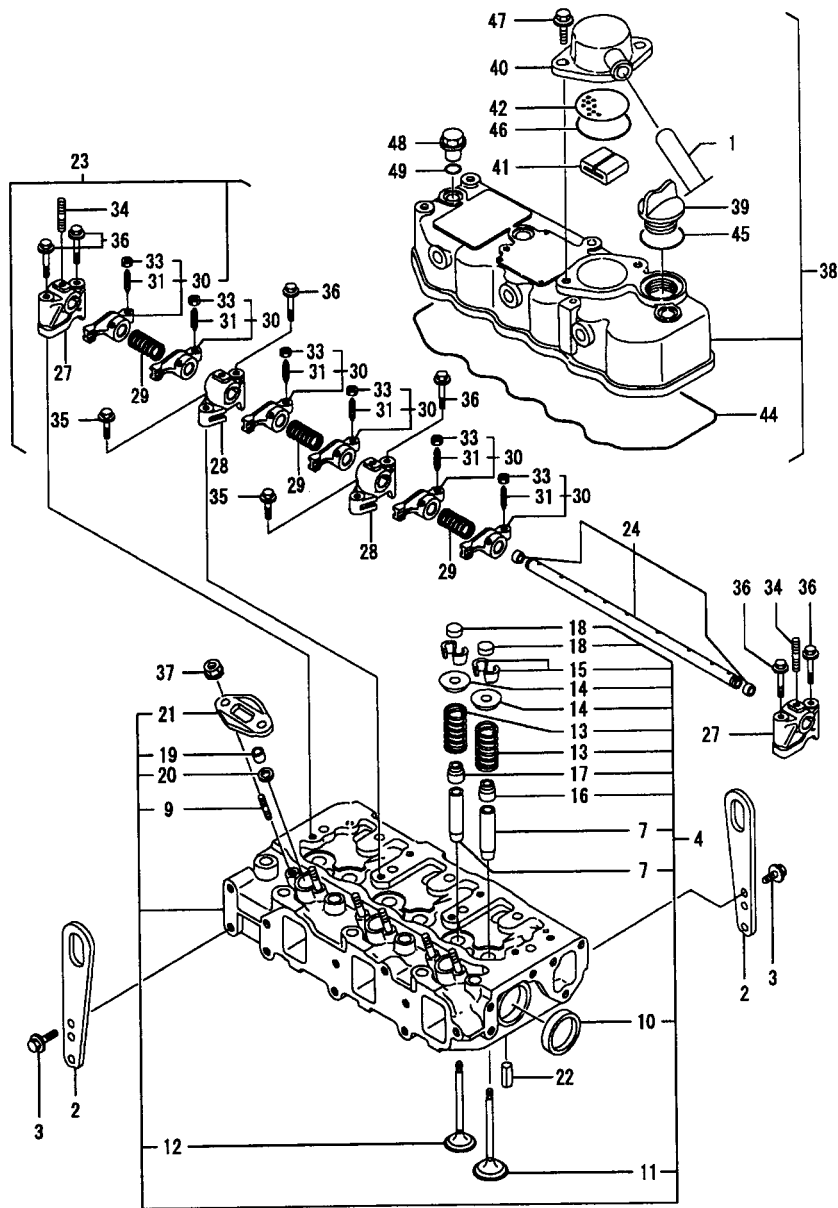
(A)=3TNE82AC-ECR (D)=  
(B)= (E)=  
(C)= (F)=

REF.	LEV.	PARTS NO.	DESCRIPTION	QTY						I	R
				(A)	(B)	(C)	(D)	(E)	(F)		
1	1	129100-01580	PARALLEL PIN 8X16	2							
2	1	119822-01600	FLANGE, MOUNTING	1							
3	1	129555-01750	PIPE, KNOCK	1							
4	1	119822-01780	SUMP, LUB.OIL	1							
5	2	105425-01690	PLUG M16	1							
7	2	119822-01760	COVER	2							
8	2	119822-01770	RUBBER SEAL	2							
9	2	22190-080002	SEAL WASHER 8S	1							
10	2	22190-160002	SEAL WASHER 16S	1							
11	2	26106-080162	BOLT M 8X 16 PLATED	5							
12	1	26076-100222	BOLT 10* 22	10							
13	1	26106-080252	BOLT M 8X 25 PLATED	6							
14	1	26106-080852	BOLT M 8X 85 PLATED	16							
15	1	26106-080352	BOLT M 8X 35 PLATED	3							
16	1	129100-01580	PARALLEL PIN 8X16	2							
17	1	719810-01650	CASE ASSY, OIL SEAL	1							
19	2	119810-01780	SEAL, OIL	1							
20	1	129486-01670	BOLT M8X30, COLLAR HD	6							
21	1	977770-01212	GASKET, LIQUID	1							1

4. CYLINDER HEAD & BONNET

4. CYLINDER HEAD & BONNET

(A)=3TNE82AC-ECR (D)=  
(B)= (E)=  
(C)= (F)=

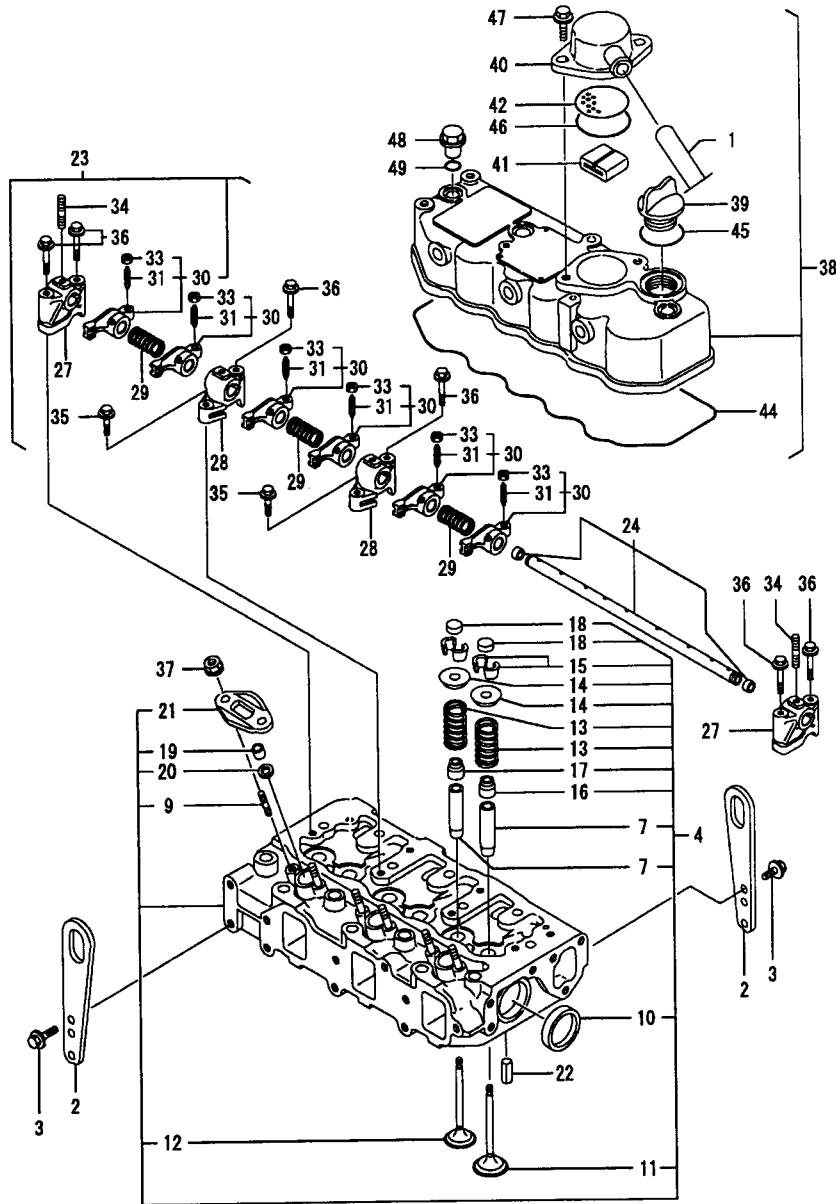


REF.	LEV.	PARTS NO.	DESCRIPTION	QTY						I	R
				(A)	(B)	(C)	(D)	(E)	(F)		
1	1	171350-03090	PIPE, BREATHER	1							
2	1	129900-07900	LIFTER, ENGINE	2							
3	1	26106-080162	BOLT M 8X 16 PLATED	4							
4	1	119812-11700	HEAD ASSY, CYLINDER	1							
7	2	124060-11800	GUIDE, VALVE	6							1
9	2	26216-060302	STUD M 6X 30 PLATED	6							
10	2	27241-400000	PLUG 40	2							
11	2	119810-11100	VALVE, SUCTION	3							
12	2	119810-11110	VALVE, EXHAUST	3							
13	2	119810-11120	SPRING, VALVE	6							
14	2	104211-11180	RETAINER, SPRING	6							
15	2	27310-070000	COTTER	6							
16	2	124160-11340	SEAL, VALVE STEM	3							
17	2	124950-11340	SEAL, VALVE STEM	3							
18	2	104211-11370	CAP, VALVE	6							
19	2	119625-11870	PROTECTOR, NOZZLE	3							
20	2	119625-11880	SEAT, NOZZLE	3							
21	2	119625-11900	RETAINER	3							
22	1	22351-060012	SPRING PIN 6X12	2							
23	1	119865-11210	SUPPORT ASSY, ROCKER	1							
24	2	119810-11240	SHAFT, ROCKER ARM	1							
27	2	129155-11260	SUPPORT, ROCKER ARM	2							
28	2	129155-11270	SUPPORT, ROCKER ARM	2							
29	2	129150-11280	SPRING	3							
30	2	719810-11660	ARM ASSY, ROCKER	6							
31	3	129150-11230	SCREW, VALVE	6							
33	3	129150-11750	NUT M8XP1.0	6							
34	2	119802-11280	STUD	3							
35	1	26106-080252	BOLT M 8X 25 PLATED	2							
36	1	26106-080502	BOLT M 8X 50 PLATED	6							
37	1	26366-060002	NUT M 6	6							
38	1	719810-11521	BONNET ASSY	1							
39	2	124160-01751	COVER, FILLER	1							
40	2	129150-03020	COVER, BREATHER	1							
41	2	129150-03070	BAFFLE, BREATHER	1							
42	2	129150-03080	PLATE, SHELTER	1							
44	2	119865-11310	GASKET, BONNET	1							
45	2	24311-000320	O-RING 1A P-32.0	1							
46	2	24341-000500	O-RING 1A S-50.0	1							
47	2	26106-080162	BOLT M 8X 16 PLATED	2							
48	1	124160-11360	KNOB	3							
49	1	24311-000120	O-RING 1A P 12.0	3							

Remarks  
(1) REPAIR PART.

Y00V8500

4. CYLINDER HEAD & BONNET



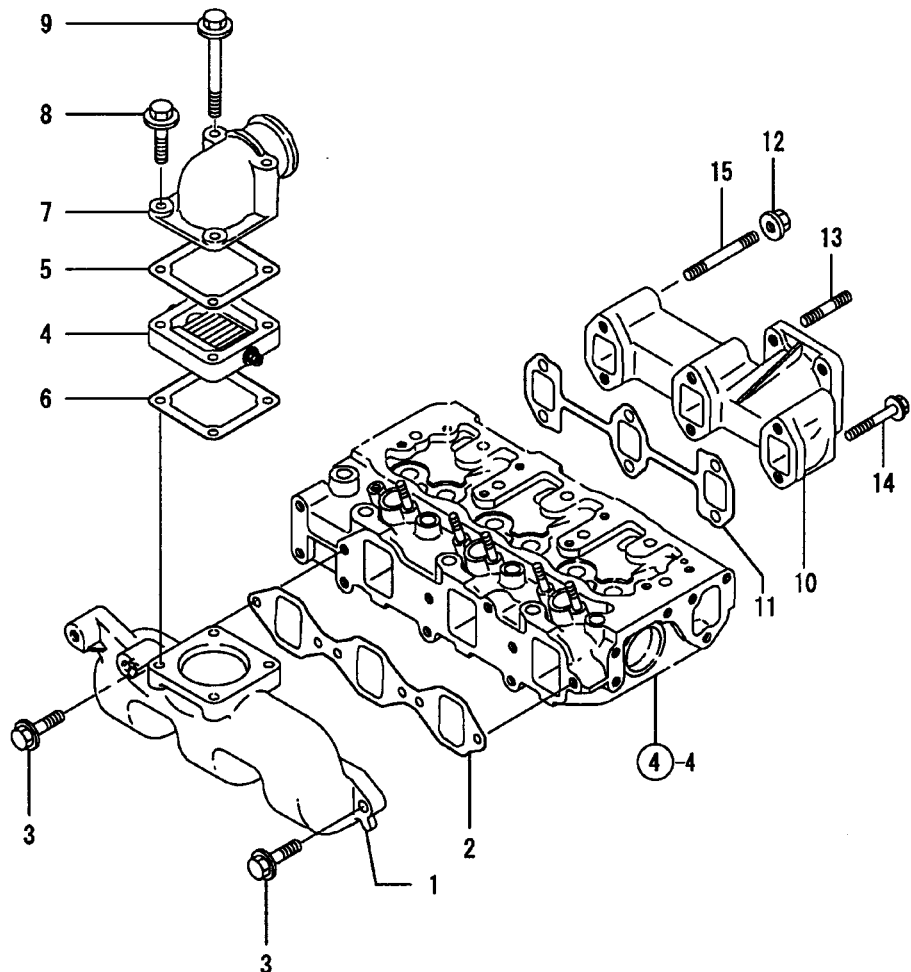
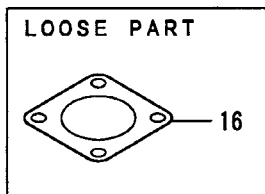
Remarks  
(1) REPAIR PART.

Y00V8500 4. CYLINDER HEAD & BONNET

(A)=3TNE82AC-ECR (D)=  
(B)= (E)=  
(C)= (F)=

REF.	LEV.	PARTS NO.	DESCRIPTION	QTY					
				(A)	(B)	(C)	(D)	(E)	(F)
1	1	171350-03090	PIPE, BREATHER	1					
2	1	129900-07900	LIFTER, ENGINE		2				
3	1	26106-080162	BOLT M 8X 16 PLATED		4				
4	1	119812-11700	HEAD ASSY, CYLINDER	1					
7	2	124060-11800	GUIDE, VALVE		6				1
9	2	26216-060302	STUD M 6X 30 PLATED		6				
10	2	27241-400000	PLUG 40		2				
11	2	119810-11100	VALVE, SUCTION		3				
12	2	119810-11110	VALVE, EXHAUST		3				
13	2	119810-11120	SPRING, VALVE		6				
14	2	104211-11180	RETAINER, SPRING		6				
15	2	27310-070000	COTTER		6				
16	2	124160-11340	SEAL, VALVE STEM		3				
17	2	124950-11340	SEAL, VALVE STEM		3				
18	2	104211-11370	CAP, VALVE		6				
19	2	119625-11870	PROTECTOR, NOZZLE		3				
20	2	119625-11880	SEAT, NOZZLE		3				
21	2	119625-11900	RETAINER		3				
22	1	22351-060012	SPRING PIN 6X12		2				
23	1	119865-11210	SUPPORT ASSY, ROCKER		1				
24	2	119810-11240	SHAFT, ROCKER ARM		1				
27	2	129155-11260	SUPPORT, ROCKER ARM		2				
28	2	129155-11270	SUPPORT, ROCKER ARM		2				
29	2	129150-11280	SPRING		3				
30	2	719810-11660	ARM ASSY, ROCKER		6				
31	3	129150-11230	SCREW, VALVE		6				
33	3	129150-11750	NUT M8XP1.0		6				
34	2	119802-11280	STUD		3				
35	1	26106-080252	BOLT M 8X 25 PLATED		2				
36	1	26106-080502	BOLT M 8X 50 PLATED		6				
37	1	26366-060002	NUT M 6		6				
38	1	719810-11521	BONNET ASSY		1				
39	2	124160-01751	COVER, FILLER		1				
40	2	129150-03020	COVER, BREATHER		1				
41	2	129150-03070	BAFFLE, BREATHER		1				
42	2	129150-03080	PLATE, SHELTER		1				
44	2	119865-11310	GASKET, BONNET		1				
45	2	24311-000320	O-RING 1A P-32.0		1				
46	2	24341-000500	O-RING 1A S-50.0		1				
47	2	26106-080162	BOLT M 8X 16 PLATED		2				
48	1	124160-11360	KNOB		3				
49	1	24311-000120	O-RING 1A P 12.0		3				

### 5. SUCTION & EXHAUST MANIFOLD

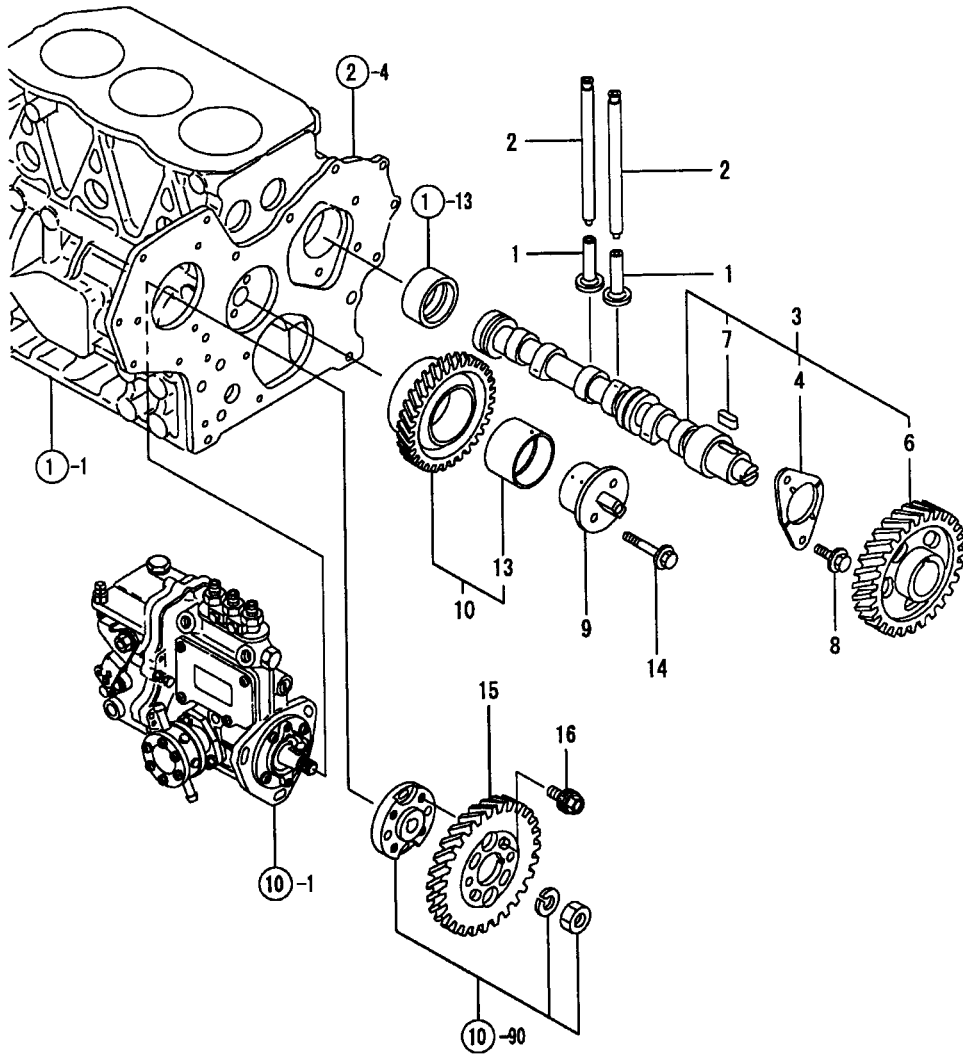


### Y00V8500 5. SUCTION & EXHAUST MANIFOLD

(A)=3TNE82AC-ECR (D)=  
 (B)= (E)=  
 (C)= (F)=

REF.	LEV.	PARTS NO.	DESCRIPTION	QTY						I	R
				(A)	(B)	(C)	(D)	(E)	(F)		
1	1	119810-12101	MANIFOLD, INTAKE	1							
2	1	119810-12111	GASKET, (NON-ASB.)	1							
3	1	26106-080252	BOLT M 8X 25 PLATED	4							
4	1	129100-77500	HEATER, AIR	1							
5	1	129100-77510	GASKET, AIR HEATER	1							
6	1	129150-77511	GASKET, (NON-ASB.)	1							
7	1	171340-77520	BEND	1							
8	1	26106-080402	BOLT M 8X 40 PLATED	2							
9	1	26106-080802	BOLT M 8X 80 PLATED	2							
10	1	119810-13100	MANIFOLD, EXHAUST	1							
11	1	119810-13110	GASKET, EXH.MANIFOLD	1							
12	1	26306-080002	NUT	2							
13	1	119131-18320	BOLT M 8X 22	4							
14	1	119802-13640	BOLT, M8X60	4							
15	1	119802-13740	STUD M 8X 60	2							
16	1	124701-11911	GASKET, (NON-ASB.)	1							

### 6. CAMSHAFT & DRIVING GEAR



### 6. CAMSHAFT & DRIVING GEAR

(A)=3TNE82AC-ECR (D)=  
 (B)= (E)=  
 (C)= (F)=

REF.	LEV.	PARTS NO.	DESCRIPTION	QTY						I	R
				(A)	(B)	(C)	(D)	(E)	(F)		
1	1	129150-14200	TAPPET	6							
2	1	119810-14400	ROD, PUSH	6							
3	1	119810-14580	CAMSHAFT ASSY	1							
4	2	129150-02450	METAL, THRUST(CAM	1							
6	2	129150-14101	GEAR, CAMSHAFT	1							
7	2	22512-070140	KEY 7X 14	1							
8	1	26106-080142	BOLT M 8X 14 PLATED	2							
9	1	129100-25061	SHAFT, IDLE GEAR	1							
10	1	129150-25101	GEAR W/BUSH	1							
13	2	129150-25920	BUSH, IDLE GEAR	1							1
14	1	26106-080452	BOLT M 8X 45 PLATED	2							
15	1	129150-25931	GEAR	1							
16	1	129150-25301	BOLT, FI-P	4							

Remarks  
 (1) REPAIR PART.



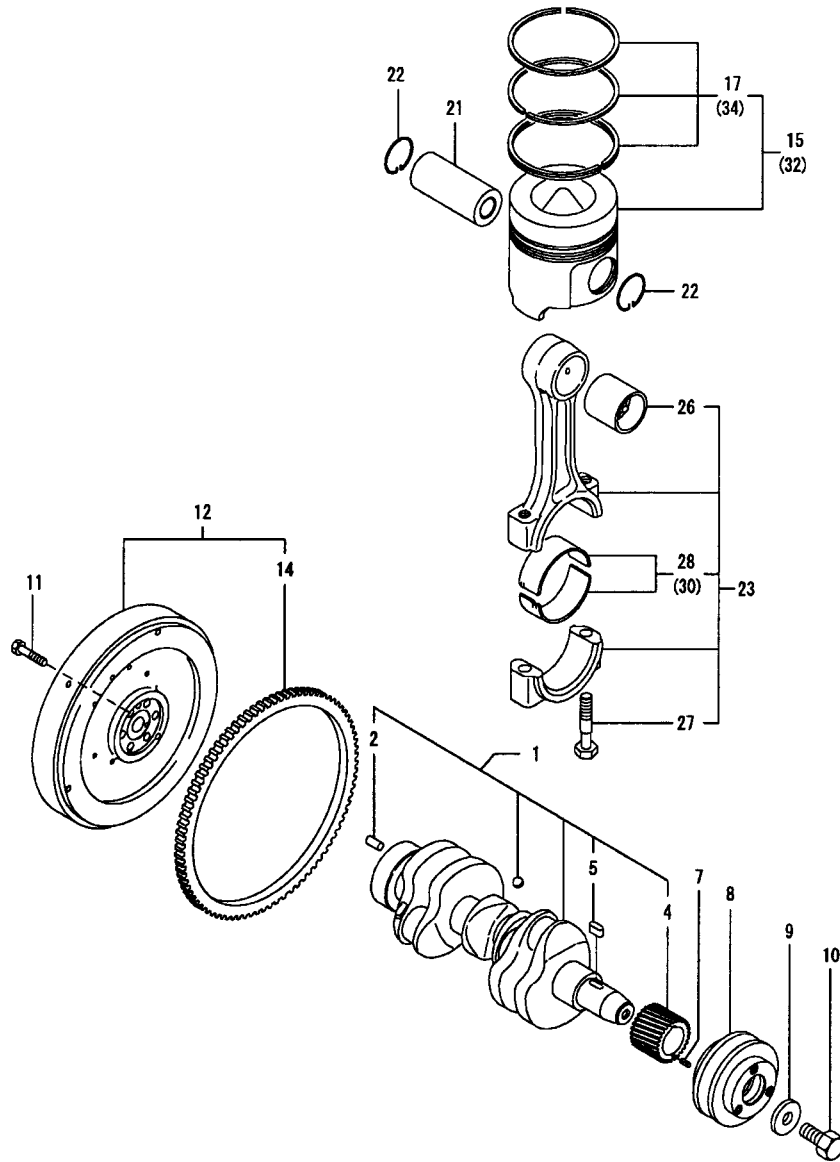






7. CRANKSHAFT & PISTON

(A)=3TNE82AC-ECR (D)=  
 (B)= (E)=  
 (C)= (F)=



REF.	LEV.	PARTS NO.	DESCRIPTION	QTY					
				(A)	(B)	(C)	(D)	(E)	(F)
1	1	119813-21000	CRANKSHAFT ASSY	1					
2	2	129100-01580	PARALLEL PIN 8X16	1					
4	2	129150-21200	GEAR, CRANKSHAFT	1					
5	2	22512-070140	KEY 7X 14	1					
7	1	22351-040010	SPRING PIN 4X10	1					
8	1	171301-21650	V-PULLEY, CRANKSHAFT	1					
9	1	129795-21661	WASHER	1					
10	1	121850-21680	BOLT, V-PULLEY	1					
11	1	121111-21501	BOLT, FLYWHEEL	6					
12	1	119822-21580	FLYWHEEL W/GEAR	1					
14	2	119865-21600	GEAR, RING	1					
15	1	119813-22080	PISTON ASSY	3					
17	2	119813-22500	RING SET, PISTON	3					
21	1	119813-22300	PIN, PISTON	3					
22	1	129792-22400	CIRCLIP 23	6					
23	1	719810-23100	ROD ASSY, CONNECTING	3					
26	2	119810-23910	BUSH, PISTON PIN	3					1
27	2	119810-23200	BOLT, CONNECTING ROD	6					
28	2	119810-23600	BEARING, CRANKPIN	3					
30	1	119810-23610	BEARING, PIN U.S=0.25	3					2
32	1	119813-22900	PISTON W/RING OS=.25	3					3
34	2	129003-22950	RING SET O.S=0.25	3					3

Remarks

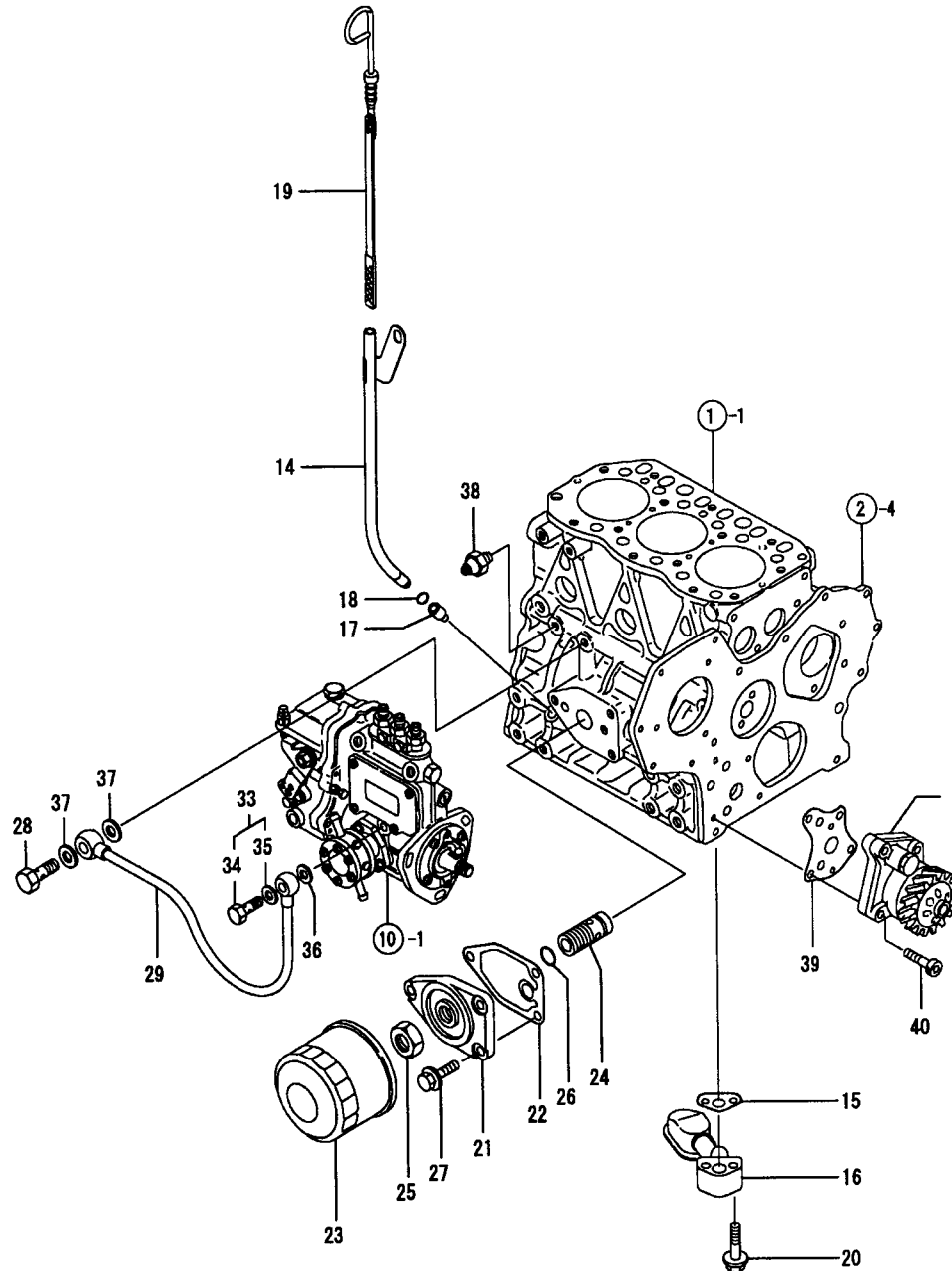
- (1) REPAIR PART.
- (2) UNDER-SIZE(U.S=0.25)PART.
- (3) OVER-SIZE(O.S=0.25)PART.

Y00V8500

8. LUB.OIL SYSTEM

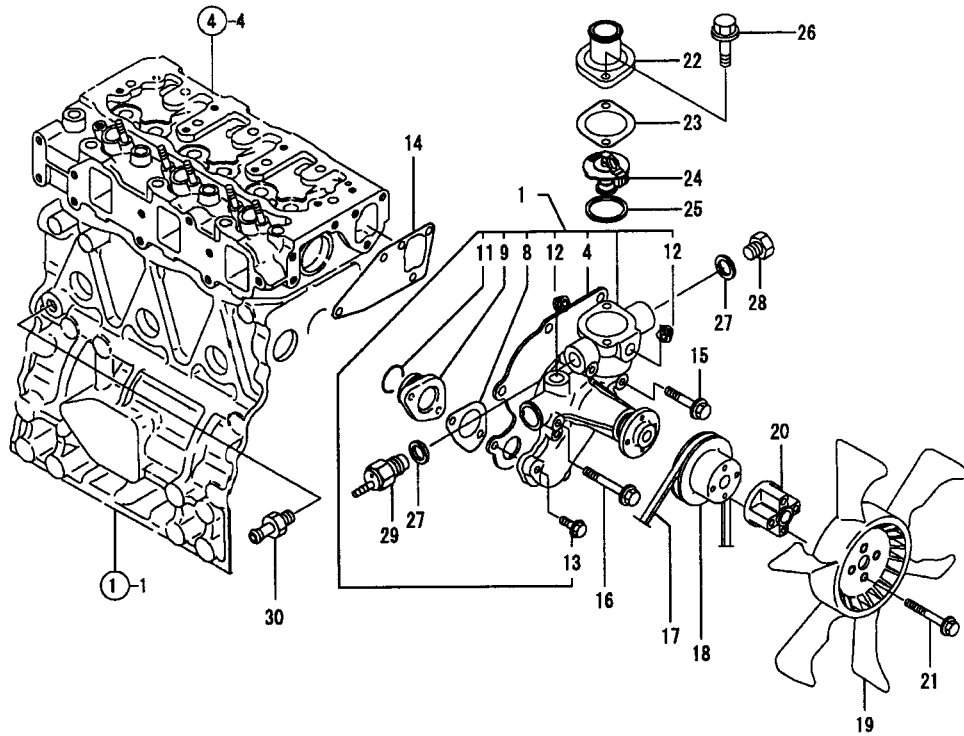
Y00V8500 8. LUB.OIL SYSTEM

(A)=3TNE82AC-ECR (D)=  
(B)= (E)=  
(C)= (F)=



REF.	LEV.	PARTS NO.	DESCRIPTION	QTY						I	R
				(A)	(B)	(C)	(D)	(E)	(F)		
1	1	129001-32001	PUMP ASSY, LUB. OIL	1							
14	1	119823-34810	GUIDE, DIPSTICK	1							
15	1	129150-35041	GASKET, (NON-ASB.)	1							
16	1	119822-35080	PIPE ASSY, LUB.OIL	1							
17	1	119260-34810	GUIDE, DIPSTICK	1							
18	1	24311-240100	O-RING 1A P-10A	2							
19	1	119623-34850	DIPSTICK, LUB.OIL	1							
20	1	26106-080352	BOLT M 8X 35 PLATED	2							
21	1	129150-35101	BRACKET, STRAINER	1							
22	1	129150-35111	GASKET, (NON-ASB.)	1							
23	1	129150-35151	FILTER 80X80L	1							
24	1	129001-35300	BOLT,LUB.O. STRAINER	1							
25	1	129150-35350	NUT	1							
26	1	24311-000160	O-RING 1A P-16.0	1							
27	1	26106-080202	BOLT M 8X 20 PLATED	3							
28	1	124160-39140	BOLT 10, PIPE JOINT	1							
29	1	119810-39200	PIPE ASSY, LUB. OIL	1							
33	1	124550-59830	BOLT W/ SEAL WASHER	1							
34	2	124550-59820	BOLT 8, PIPE JOINT	1							
35	2	22190-080002	SEAL WASHER 8S	1							
36	1	22190-080002	SEAL WASHER 8S	1							
37	1	22190-100002	SEAL WASHER 10S	2							
38	1	121252-39450	SENDER, OIL PRESSURE	1							
39	1	129150-32020	GASKET, L.O. PUMP	1							
40	1	26450-060252	BOLT M 6X 25	4							

9. COOLING WATER SYSTEM

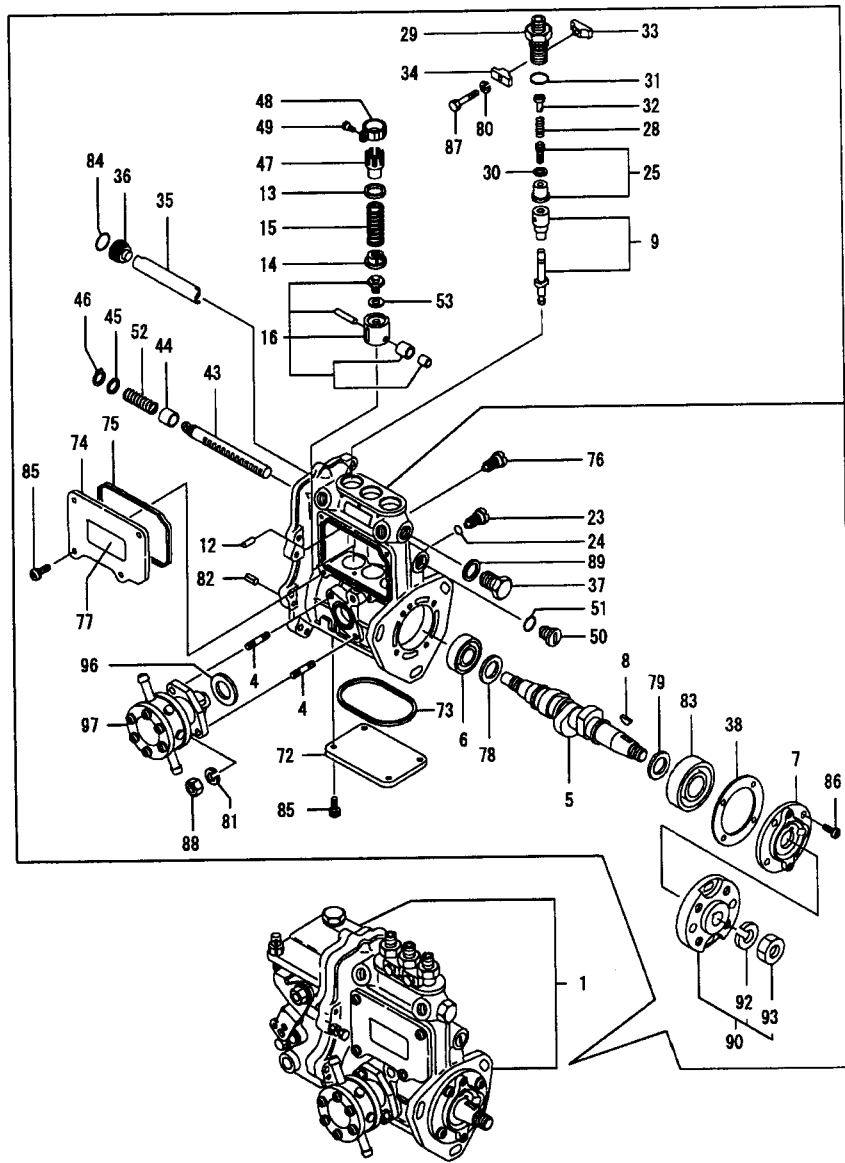


Y00V8500 9. COOLING WATER SYSTEM

(A)=3TNE82AC-ECR (D)=  
 (B)= (E)=  
 (C)= (F)=

REF.	LEV.	PARTS NO.	DESCRIPTION	QTY						I	R
				(A)	(B)	(C)	(D)	(E)	(F)		
1	1	119810-42001	PUMP,C.W.(NON-ASB.)	1							
4	2	119810-42120	PLATE	1							
8	2	119810-42281	GASKET, (NON-ASB.)	1							
9	2	119810-42290	PIPE, C.W. PUMP	1							
11	2	129150-42320	O-RING	1							
12	2	23876-030000	PLUG PT3/8,SCREW	2							
13	2	26106-060142	BOLT M 6X 14 PLATED	2							
14	1	129486-42050	GASKET	1							
15	1	26106-080352	BOLT M 8X 35 PLATED	1							
16	1	26106-080552	BOLT M 8X 55 PLATED	3							
17	1	119831-42290	V-BELT A37.5	1							
18	1	129403-42380	V-PULLEY(D=110)	1							
19	1	129432-44740	FAN,COOLING (D370*EF	1							
20	1	129030-44760	SPACER	1							
21	1	26106-060502	BOLT M 6X 50 PLATED	4							
22	1	129350-49530	COVER, THERMOSTAT	1							
23	1	129795-49551	GASKET, (NON-ASB.)	1							
24	1	129155-49800	THERMOSTAT	1							
25	1	129150-49811	GASKET, (NON-ASB.)	1							
26	1	26106-080222	BOLT M 8X 22 PLATED	2							
27	1	124465-44950	GASKET 16	2							
28	1	121450-42450	PLUG M16	1							
29	1	121250-44901	SWITCH, THERMO(110 C	1							
30	1	121550-49111	JOINT PT1/4	1							

10. FUEL INJECTION PUMP



Remarks  
 (1) GOVERNOR ASSY(FIG.11) IS  
 INCORPORATED IN THIS FOP.CMP  
 (REF.NO.1).

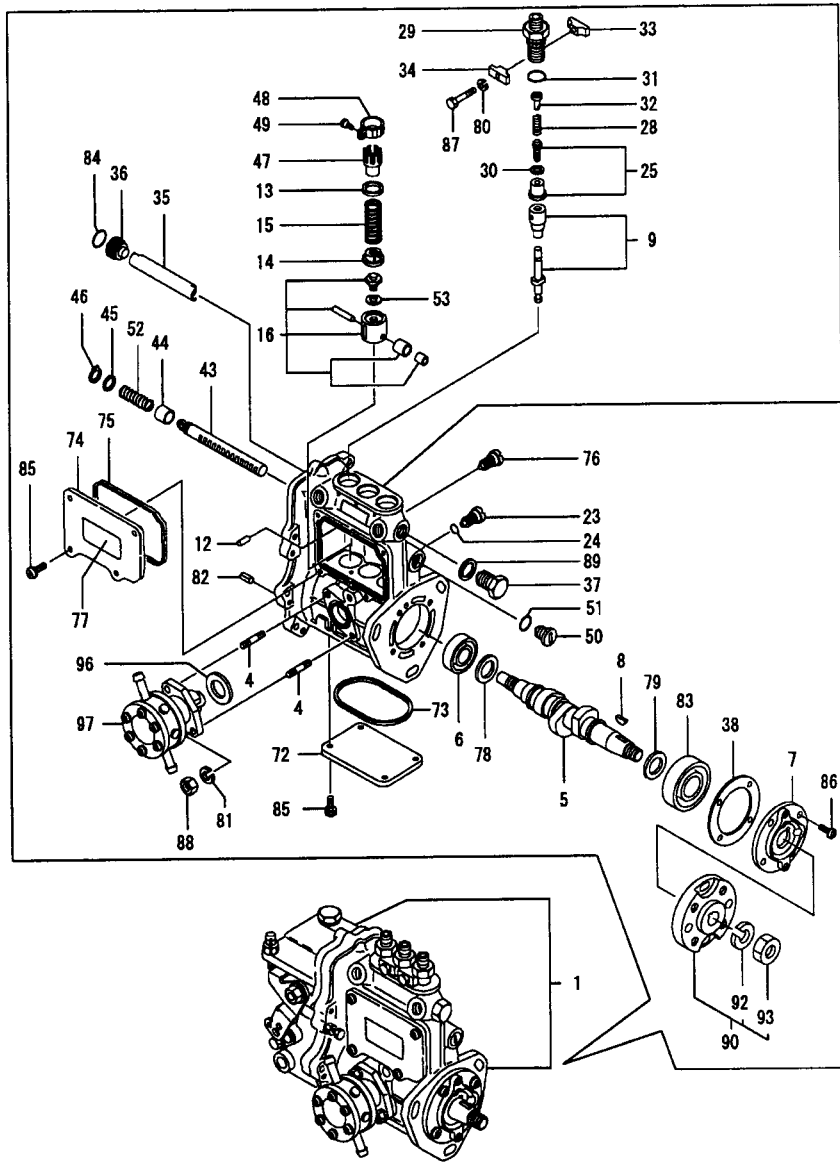
Y00V8500 10. FUEL INJECTION PUMP

(A)=3TNE82AC-ECR (D)=  
 (B)= (E)=  
 (C)= (F)=

REF.	LEV.	PARTS NO.	DESCRIPTION	QTY						I	R
				(A)	(B)	(C)	(D)	(E)	(F)		
1	1	719853-51480	PUMP ASSY, F.INJECT	1							1
4	2	129155-51020	STUD, FEED PUMP		2						
5	2	129171-51040	CAMSHAFT		1						
6	2	129155-51051	RETAINER		1						
7	2	129208-51060	SUPPORT		1						
8	2	122710-51090	KEY		1						
9	2	129108-51100	PLUNGER W/BARREL		3						
12	2	129155-51140	PIN, BARREL LOCKING		3						
13	2	174307-51170	RETAINER A		3						
14	2	129155-51180	SPRING SHOE, PLUNGER		3						
15	2	124950-51190	SPRING, PLUNGER		3						
16	2	129155-51200	TAPPET ASSY		3						
23	2	129155-51270	LOCKING, TAPPET		3						
24	2	129155-51280	O-RING S6		3						
25	2	129208-51300	VALVE, DELIVERY		3						
28	2	129573-51330	SPRING, DELY. VALVE		3						
29	2	129573-51340	GUARD, DELY. VALVE		3						
30	2	124550-51350	GASKET, DELIVERY		3						
31	2	124550-51370	O-RING, DELIVERY		3						
32	2	129573-51370	STOPPER, VALVE		3						
33	2	129155-51380	LOCKING (A)		2						
34	2	129155-51390	LOCKING (B)		2						
35	2	129155-51400	DEFLECTOR		1						
36	2	129155-51410	CHECK BOLT,DEFLECTOR		1						
37	2	129155-51420	PLUG (M16)		1						
38	2	129155-51450	SHIM SET, ADJUSTING		1						
43	2	129155-51500	RACK, CONTROL		1						
44	2	129155-51521	BUSH, RACK		1						
45	2	129155-51530	SPACER, AUX. SPRING		1						
46	2	129155-51540	CIRCLIP		1						
47	2	129155-51550	PINION, CONTROL		3						
48	2	129100-51560	PINION		3						
49	2	129100-51570	SCREW		3						
50	2	129155-51570	PLUG (M12)		1						
51	2	129155-51580	O-RING		1						
52	2	129155-51591	SPRING, RACK		1						
53	2	129155-51600	SHIM PACK		3						
72	2	129155-51701	COVER		1						
73	2	129155-51711	PACKING		1						
74	2	129155-51751	COVER, SIDE		1						
75	2	129155-51760	GASKET, SIDE COVER		1						
76	2	129155-51790	LOCKING, RACK		1						
77	2	129156-51910	LABEL, CAUTION		1						
78	2	129155-51930	SPACER T=3.25		1						
79	2	129155-51940	SPACER T=1.5		1						
80	2	22217-050000	SPRING WASHER 5		2						
81	2	22217-060000	SPRING WASHER 6		2						
82	2	22351-050010	SPRING PIN 5X10		2						
83	2	24101-063034	BALL BEARING		1						
84	2	24341-000160	O-RING 1A S-16.0		1						
85	2	26022-050122	SCREW M 5X 12		8						
86	2	26022-060162	SCREW M 6X 16		4						
87	2	26116-050302	BOLT M 5X 30 PLATED		2						
88	2	26716-060002	NUT 6		2						

++ CONTINUE ++

10. FUEL INJECTION PUMP



Remarks

(1) GOVERNOR ASSY(FIG.11) IS INCORPORATED IN THIS FOP.CMP (REF.NO.1).

Y00V8500 10. FUEL INJECTION PUMP

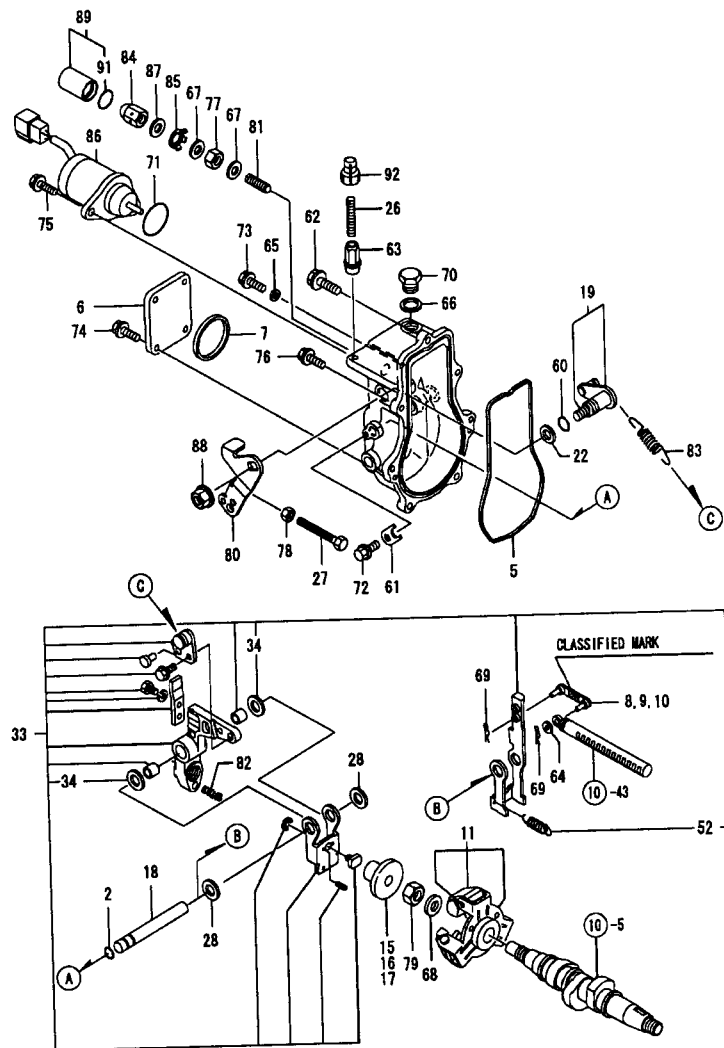
(A)=3TNE82AC-ECR (D)=  
(B)= (E)=  
(C)= (F)=

REF.	LEV.	PARTS NO.	DESCRIPTION	QTY						I	R
				(A)	(B)	(C)	(D)	(E)	(F)		
89	2	22190-160002	SEAL WASHER 16S	1							
90	2	129208-54500	FLANGE ASSY	1							
92	3	22217-120000	SPRING WASHER	1							
93	3	26716-120002	NUT 12	1							
96	2	129155-52050	GASKET	1							
97	2	129100-52100	PUMP ASSY, FUEL FEED	1							



11. GOVERNOR

(A)=3TNE82AC-ECR (D)=  
(B)= (E)=  
(C)= (F)=



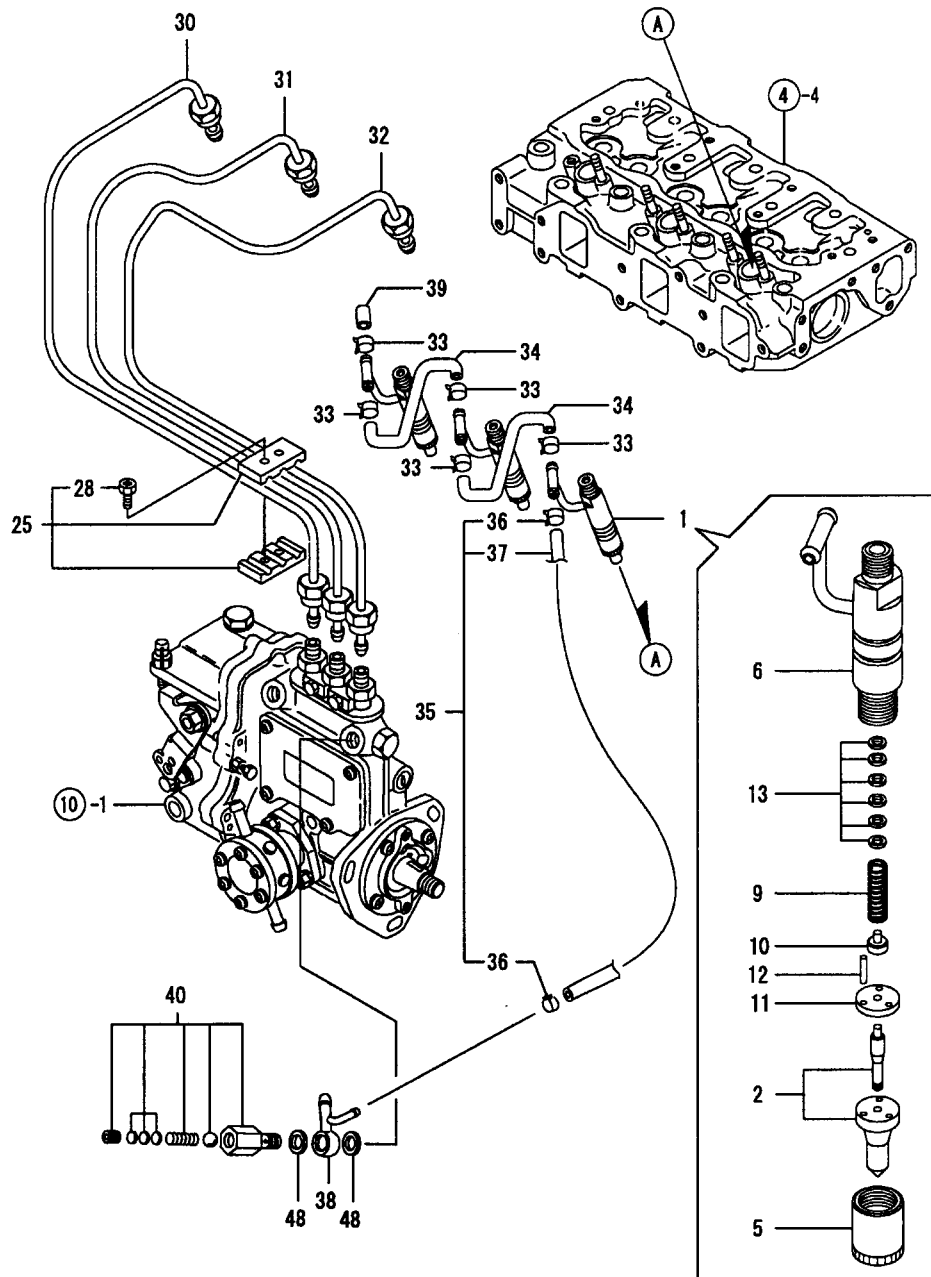
Remarks

- (1) SELECTIVE PARTS: CERTAIN THE CLASSIFICATION MARK, THEN PLACE YOUR ORDER.(REFER TO ILLUSTRATION).
- (2) SELECTIVE PARTS.  
\* THIS FIGURE(GOVERNOR ASSY)IS INCORPORATED IN THE FUEL INJECTION PUMP ASSY(FIG.10).

REF.	LEV.	PARTS NO.	DESCRIPTION	QTY						I	R
				(A)	(B)	(C)	(D)	(E)	(F)		
2	2	129155-51280	O-RING S6	1							
5	2	129052-61050	PACKING	1							
6	2	129052-61060	COVER	1							
7	2	129052-61070	PACKING	1							1
8	2	129155-61120	LINK L=30(MARK 0	1							1
9	2	129155-61130	LINK L=31(MARK 1	1							1
10	2	129155-61140	LINK L=30.5(MARK 05)	1							1
11	2	129486-61201	WEIGHT ASSY,GOVERNOR	1							2
15	2	129155-61341	SLEEVE	1							2
16	2	129155-61350	SLEEVE	1							2
17	2	129155-61360	SLEEVE	1							2
18	2	129052-61390	SHAFT, GOV. LEVER	1							
19	2	129100-61400	SHAFT ASSY, CONTROL	1							
22	2	129155-61430	SPACER, SHAFT	1							
26	2	129155-61450	BOLT, REVOL. LIMIT	1							
27	2	129155-61460	BOLT, IDLE LIMIT	1							
28	2	129155-61480	SPACER ASSY	2							
33	2	119908-61501	LEVER ASSY,GOVERNOR	1							
34	3	174307-51700	SHIM SET	2							
52	3	129486-61540	SPRING, SET	1							
60	2	129155-61830	O-RING S10	1							
61	2	119660-61901	RETAINER, SHAFT	1							
62	2	129155-61950	BOLT, WASHER BASED	1							
63	2	129209-61370	NUT M6	1							
64	2	22117-040000	WASHER 4	1							
65	2	22190-060003	WASHER,SEAL 6	1							
66	2	22190-100002	SEAL WASHER 10S	1							
67	2	22190-120002	SEAL WASHER 12	2							
68	2	22287-120000	WASHER 12	1							
69	2	22372-040000	SNAP PIN 4	2							
70	2	23887-100002	PLUG 10	1							
71	2	24341-000280	O-RING 1A S-28.0	1							
72	2	26106-060102	BOLT M 6X 10 PLATED	1							
73	2	26106-060102	BOLT M 6X 10 PLATED	1							
74	2	26106-060102	BOLT M 6X 10 PLATED	4							
75	2	26106-060142	BOLT M 6X 14 PLATED	2							
76	2	26106-060202	BOLT M 6X 20 PLATED	6							
77	2	26736-120002	NUT M12	1							
78	2	26756-060002	LOCK NUT 6	1							
79	2	26776-120002	LOCK NUT M12 PLATED	1							
80	2	129100-61440	LEVER, CONTROL	1							
81	2	120323-61470	BOLT, CONTROL	1							
82	2	129100-61650	SPRING, FUEL CONTROL	1							
83	2	171353-61700	SPRING, GOVERNOR	1							
84	2	129209-61930	CAP NUT	1							
85	2	129209-61970	PLATE	1							
86	2	119653-77950	SOLENOID, STOP	1							
87	2	23414-120016	GASKET 12	1							
88	2	26366-080002	NUT M 8	1							
89	1	129209-61940	CASE ASSY	1							
91	2	24311-000150	O-RING 1A P-15.0	1							
92	1	119285-66610	CAP, HIGH-IDLE	1							

12. FUEL INJECTION VALVE

(A)=3TNE82AC-ECR (D)=  
 (B)= (E)=  
 (C)= (F)=



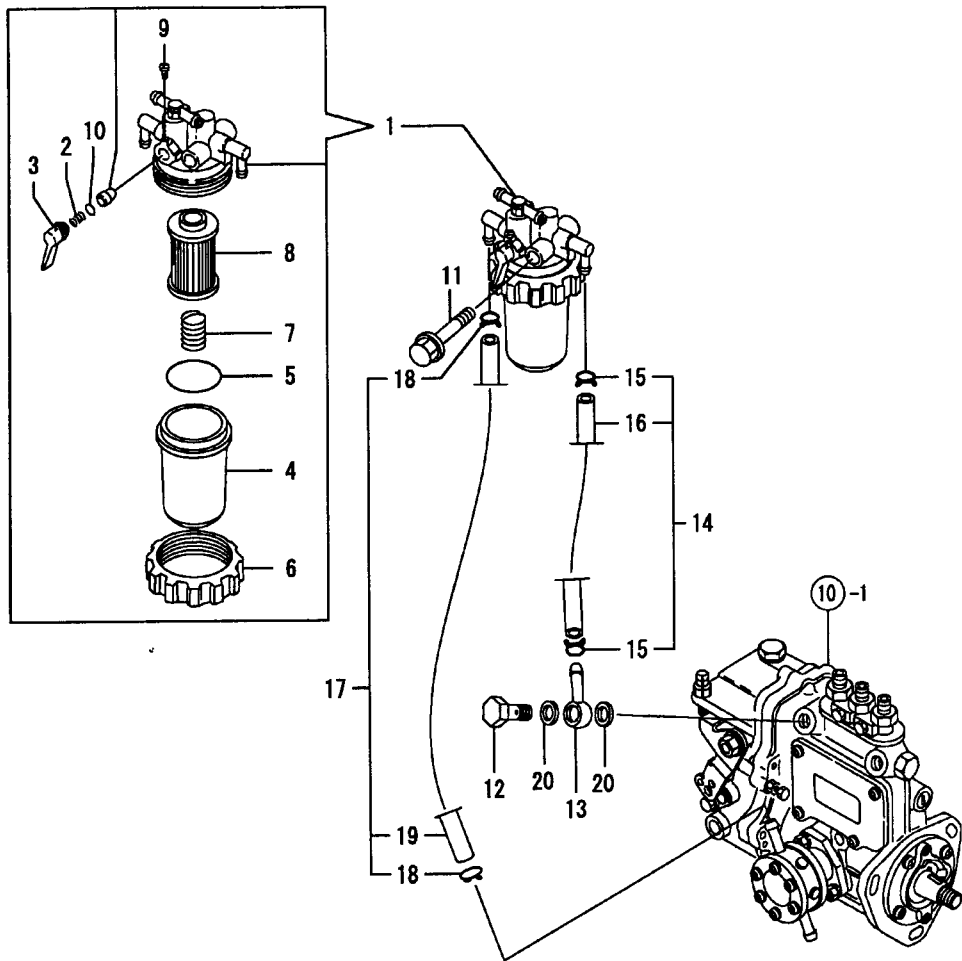
REF.	LEV.	PARTS NO.	DESCRIPTION	QTY						I	R
				(A)	(B)	(C)	(D)	(E)	(F)		
1	1	729609-53200	VALVE ASSY, F.INJECT	3							
2	2	129609-53100	NOZZLE ASSY	3							
5	2	114250-53080	NUT, NOZZLE CASE	3							
6	2	129100-53100	HOLDER ASSY, NOZZLE	3							
9	2	114250-53120	SPRING, NOZZLE	3							
10	2	114250-53130	SEAT, NOZZLE SPRING	3							
11	2	114250-53140	PLATE, STOP	3							
12	2	114250-53210	PIN	6							
13	2	114250-53400	SHIM PACK	3							
25	1	129150-59120	RETAINER, INJ. PIPE	1							
28	2	129150-59131	BOLT M4X14, HEX. SCKT.	2							
30	1	119810-59810	PIPE, FUEL INJECTION	1							
31	1	119810-59820	PIPE, FUEL INJECTION	1							
32	1	119810-59830	PIPE, FUEL INJECTION	1							
33	1	124066-59100	CLAMP 8	5							
34	1	121250-59550	PIPE, FUEL	2							
35	1	119840-59500	PIPE ASSY, RETURN	1							
36	2	124066-59100	CLAMP 8	2							
37	2	119840-59560	PIPE, FUEL RETURN	1							
38	1	119840-59570	JOINT	1							
39	1	129150-59580	CAP	1							
40	1	129100-59951	VALVE ASSY, CHECK	1							
48	1	22190-120002	SEAL WASHER 12	2							

Y00V8500

### 13. FUEL LINE

### Y00V8500 13. FUEL LINE

(A)=3TNE82AC-ECR (D)=  
(B)= (E)=  
(C)= (F)=

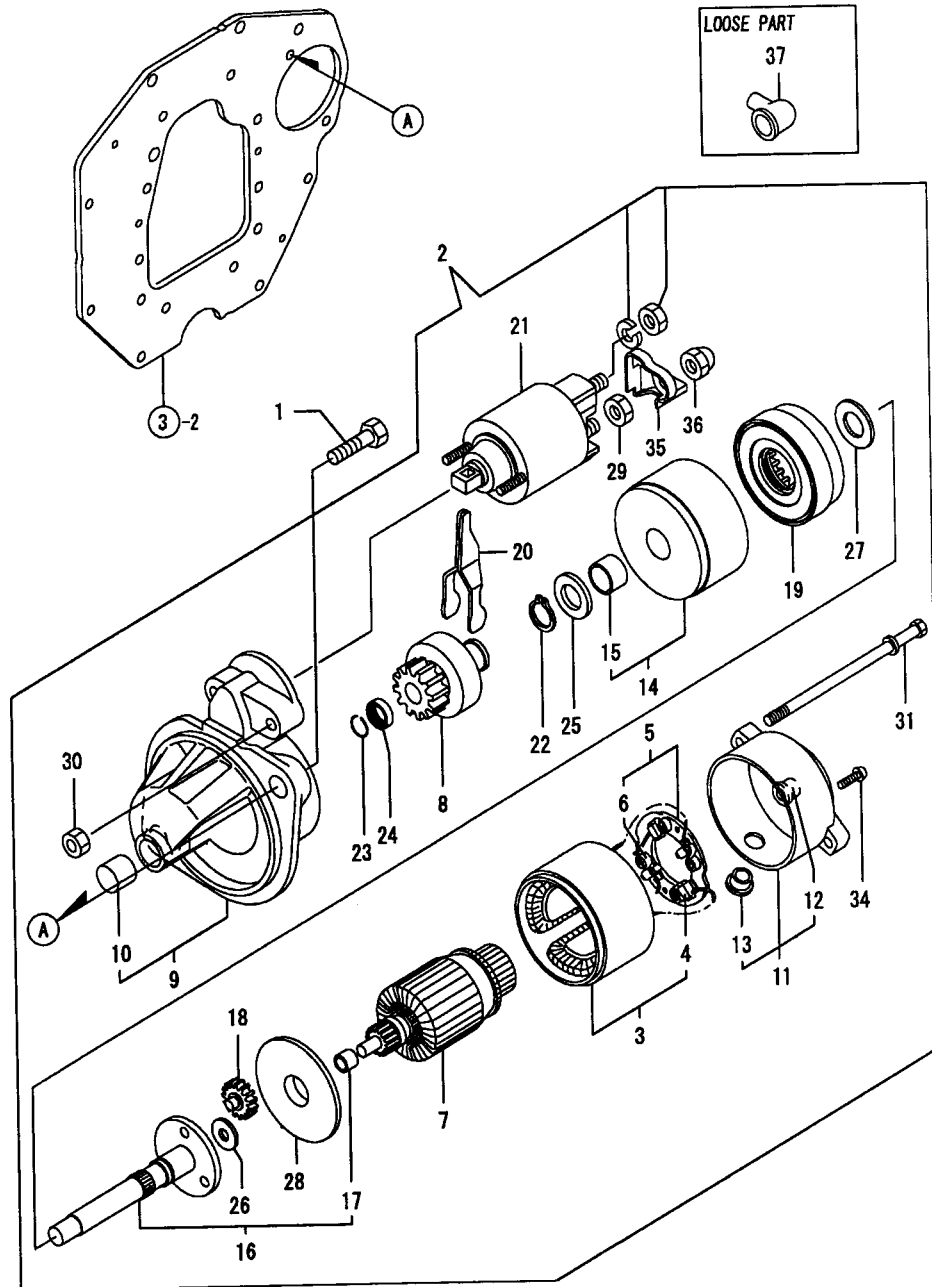


REF.	LEV.	PARTS NO.	DESCRIPTION	QTY						I	R	
				(A)	(B)	(C)	(D)	(E)	(F)			
1	1	119833-55620	STRAINER ASSY, FUEL	1								
2	2	104200-55330	SPRING, TAPER VALVE	1								
3	2	119810-55340	LEVER	1								
4	2	121254-55510	CUP, STRAINER	1								
5	2	102103-55520	O-RING	1								
6	2	110250-55610	RING, RETAINING	1								
7	2	121250-55620	SPRING	1								
8	2	119810-55650	ELEMENT	1								
9	2	104200-55750	SCREW M 4	1								
10	2	24311-240100	O-RING 1A P-10A	1								
11	1	26014-080702	BOLT W/WASHER M8X 70	1								
12	1	103854-39140	BOLT, PIPE JOINT	1								
13	1	101304-59020	JOINT 12, PIPE	1								
14	1	129210-59040	PIPE ASSY, FUEL OIL	1								
15	2	124766-59050	CLAMP 12	2								
16	2	129555-59510	PIPE, FUEL	1								
17	1	129210-59130	PIPE ASSY, FUEL OIL	1								
18	2	124766-59050	CLAMP 12	2								
19	2	105025-59750	PIPE, FUEL OIL	1								
20	1	22190-120002	SEAL WASHER 12	2								

14. STARTING MOTOR

Y00V8500 14. STARTING MOTOR

(A)=3TNE82AC-ECR (D)=  
 (B)= (E)=  
 (C)= (F)=



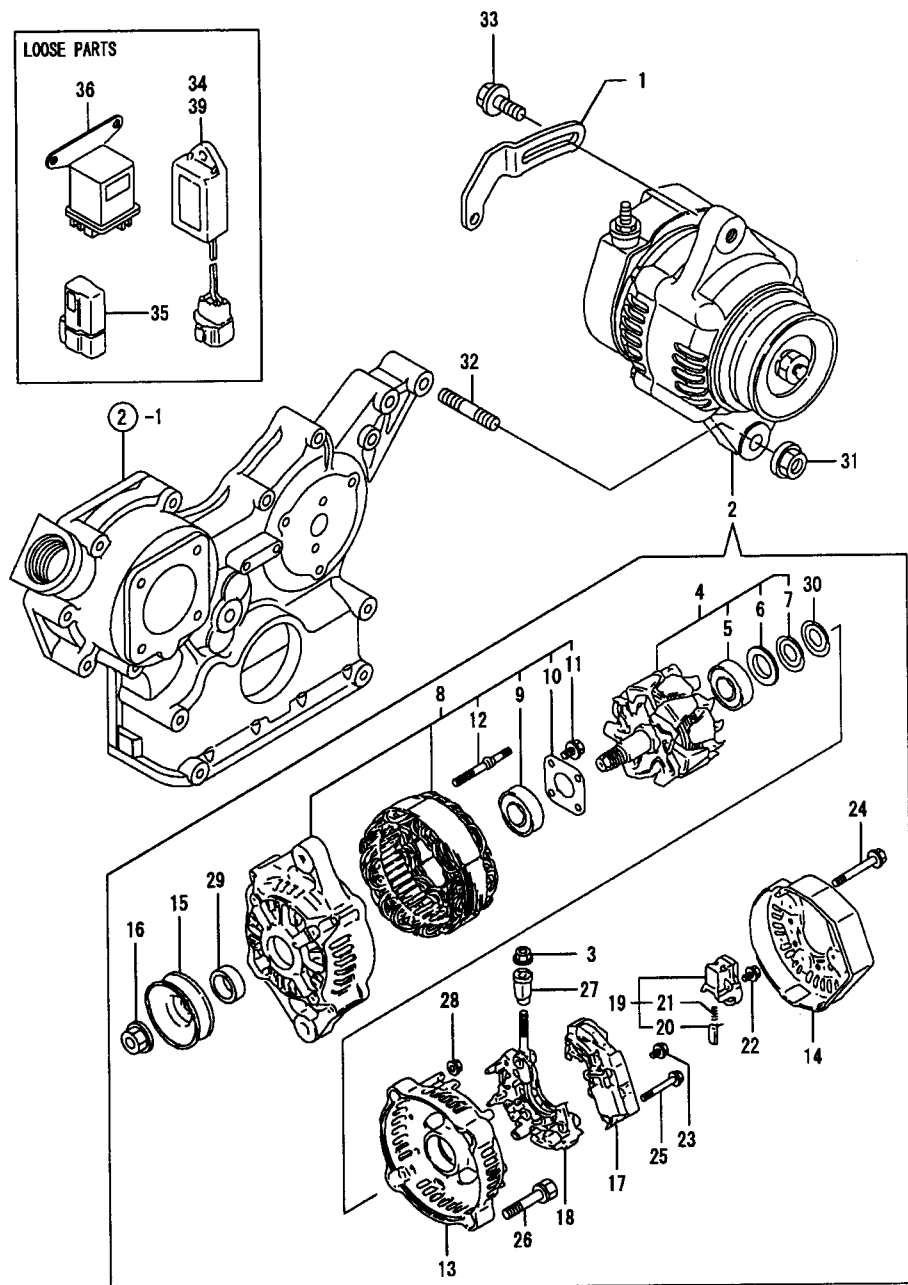
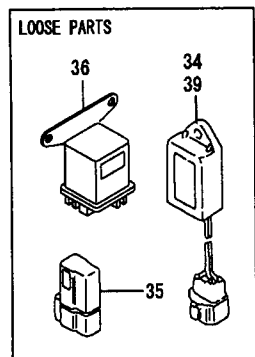
REF.	LEV.	PARTS NO.	DESCRIPTION	QTY						I	R
				(A)	(B)	(C)	(D)	(E)	(F)		
1	1	26116-120252	BOLT M12X 25 PLATED	2							
2	1	124520-77012	STARTER (P1.0	1							
3	2	X0281007680	COIL ASSY, FIELD	1							
4	3	X0280996180	STARTER KIT	2							
5	2	X0285105190	HOLDER ASSY.	1							
6	3	X0285205030	SPRING	4							
7	2	X0282005871	ARMATURE ASSY	1							
8	2	X0283009160	CLUTCH SUB-ASSY.	1							
9	2	X2284008090	HOUSING ASSY	1							
10	3	X9491050100	NEEDLE BEARING	1							
11	2	X0285005770	FRAME ASSY.	1							
12	3	X9491040990	BEARING	1							
13	3	X0280626010	COVER	1							
14	2	X0284105010	BEARING SUB-ASSY.	1							
15	3	X9491034330	BEARING	1							
16	2	X0286105050	SHAFT SUB-ASSY.	1							
17	3	X9491034320	BEARING	1							
18	2	X0286305010	GEAR	3							
19	2	X0286355010	GEAR	1							
20	2	X0287405140	LEVER	1							
21	2	X0534007800	SWITCH, EMERGENCY	1							
22	2	X9055715000	RING	1							
23	2	X9490721360	RING	1							
24	2	X0280210331	NUT	1							
25	2	X9490138110	WASHER	1							
26	2	X9490138090	WASHER	1							
27	2	X9490138100	WASHER	1							
28	2	X0284525010	PLATE	1							
29	2	X9490562360	NUT	1							
30	2	X9490560750	NUT	2							
31	2	X9490423520	BOLT, THROUGH	2							
34	2	X9490065670	SCREW M 4X 6 (BS)	2							
35	2	X0280335360	COVER SET, TERMINAL	1							
36	2	X1289510130	NUT	1							
37	1	124550-77030	COVER, TERMINAL	1							

Y00V8500

# 15. GENERATOR

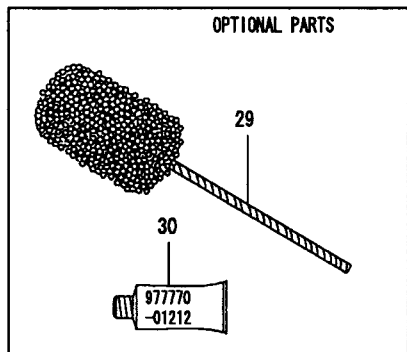
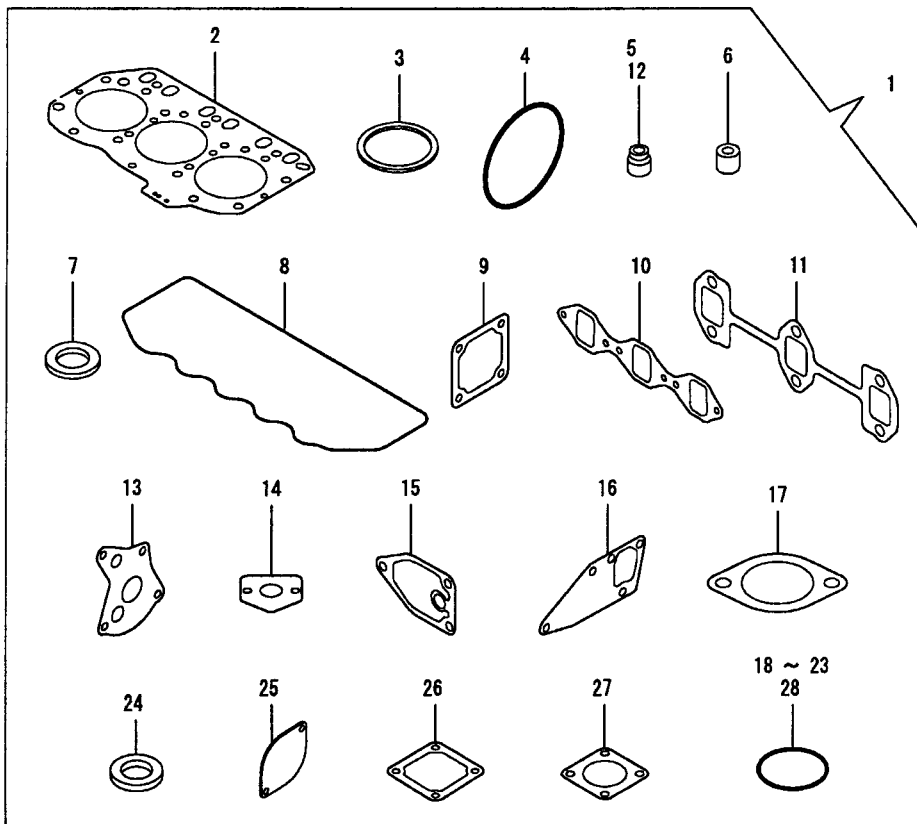
# Y00V8500 15. GENERATOR

(A)=3TNE82AC-ECR (D)=  
(B)= (E)=  
(C)= (F)=



REF.	LEV.	PARTS NO.	DESCRIPTION	QTY						I	R
				(A)	(B)	(C)	(D)	(E)	(F)		
1	1	119823-77330	ADJUSTER	1							
2	1	129423-77200	GENERATOR	1							
3	2	X9490561001	NUT	1							
4	2	119620-77380	ROTOR ASSY	1							
5	3	119620-79240	BALL BEARING	1							
6	3	119620-79250	COVER, BEARING	1							
7	3	119620-79360	THRUST WASHER	1							
8	2	119620-77421	FLAME ASSY, DRIVE	1							
9	3	119620-79200	BALL BEARING	1							
10	3	119620-79210	PLATE	1							
11	3	119620-79220	SCREW	4							
12	3	119620-79230	BOLT, STUD	2							
13	2	119620-77440	FLAME ASSY, REAR	1							
14	2	129423-77450	COVER	1							
15	2	119620-77461	PULLEY	1							
16	2	119620-77471	NUT	1							
17	2	129423-77710	REGULATOR ASSY	1							
18	2	119620-79260	HOLDER	1							
19	2	119620-79270	HOLDER, BRUSH	1							
20	3	119620-77480	BRUSH ASSY	2							
21	3	119620-79280	SPRING	2							
22	2	119620-79290	SCREW	1							
23	2	119620-79300	SCREW	1							
24	2	119620-79310	BOLT	3							
25	2	119620-79320	SCREW W/WASHER	2							
26	2	119620-79330	BOLT	2							
27	2	119620-79340	INSULATION BUSH	1							
28	2	119620-79350	NUT	2							
29	2	119620-77490	COLLAR	1							
30	2	119620-79360	THRUST WASHER	1							
31	1	26306-100002	NUT	1							
32	1	129795-01900	STUD	1							
33	1	119810-77340	BOLT	1							
34	1	128300-77920	TIMER	1							
35	1	119643-66900	DIODE	1							
36	1	119650-77910	RELAY, GROW	1							
39	1	129211-77920	TIMER	1							

16. GASKET SET



Remarks  
(1) OPTIONAL PART.

(A)=3TNE82AC-ECR (D)=  
(B)= (E)=  
(C)= (F)=

REF.	LEV.	PARTS NO.	DESCRIPTION	QTY						I	R
				(A)	(B)	(C)	(D)	(E)	(F)		
1	1	719823-92740	GASKET SET(NON-ASB.)	1							1
2	2	119812-01330	GASKET, HEAD	1							
3	2	129150-49811	GASKET, (NON-ASB.)	1							
4	2	121850-51960	O-RING, F.I.PUMP	1							
5	2	124160-11340	SEAL, VALVE STEM	3							
6	2	119625-11870	PROTECTOR, NOZZLE	3							
7	2	119625-11880	SEAT, NOZZLE	3							
8	2	119865-11310	GASKET, BONNET	1							
9	2	129150-77511	GASKET, (NON-ASB.)	1							
10	2	119810-12111	GASKET, (NON-ASB.)	1							
11	2	119810-13110	GASKET, EXH.MANIFOLD	1							
12	2	124950-11340	SEAL, VALVE STEM	3							
13	2	129150-32020	GASKET, L.O. PUMP	1							
14	2	129150-35041	GASKET, (NON-ASB.)	1							
15	2	129150-35111	GASKET, (NON-ASB.)	1							
16	2	129486-42050	GASKET	1							
17	2	129795-49551	GASKET, (NON-ASB.)	1							
18	2	24311-000120	O-RING 1A P 12.0	3							
19	2	24311-000160	O-RING 1A P-16.0	1							
20	2	119609-32040	O-RING P16	2							
21	2	24311-000320	O-RING 1A P-32.0	2							
22	2	24341-000500	O-RING 1A S-50.0	1							
23	2	24341-000240	O-RING 1A S-24.0	1							
24	2	124465-44950	GASKET 16	2							
25	2	119822-01770	RUBBER SEAL	2							
26	2	129100-77510	GASKET, AIR HEATER	1							
27	2	124701-11911	GASKET, (NON-ASB.)	1							
28	2	24311-240100	O-RING 1A P-10A	2							
29	1	129400-92420	FLEX HORN	1							1
30	1	977770-01212	GASKET, LIQUID	1							1

## PARTS INDEX

All parts of this Parts Catalog is arranged by Part No. order  
(depending on the spot where the part is used).

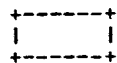
If you want to know by Part No. where your object part is used,  
please use this Parts Catalog.



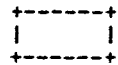
PART NO.	DESCRIPTION	CATALOG NO.	GRP. NO.	REF. NO.	LOC. NO.	PART NO.	DESCRIPTION	CATALOG NO.	GRP. NO.	REF. NO.	LOC. NO.
X0280210331	NUT	Y00V8500	14	24		119620-02020	BOLT	Y00V8500	1	12	
X0280335360	COVER SET, TERMINAL	Y00V8500	14	35		119620-77380	ROTOR ASSY	Y00V8500	15	4	
X0280626010	COVER	Y00V8500	14	13		119620-77421	FLAME ASSY, DRIVE	Y00V8500	15	8	
X0280996180	STARTER KIT	Y00V8500	14	4		119620-77440	FLAME ASSY, REAR	Y00V8500	15	13	
X0281007680	COIL ASSY, FIELD	Y00V8500	14	3		119620-77461	PULLEY	Y00V8500	15	15	
X0282005871	ARMATURE ASSY	Y00V8500	14	7		119620-77471	NUT	Y00V8500	15	16	
X0283009160	CLUTCH SUB-ASSY.	Y00V8500	14	8		119620-77480	BRUSH ASSY	Y00V8500	15	20	
X0284105010	BEARING SUB-ASSY.	Y00V8500	14	14		119620-77490	COLLAR	Y00V8500	15	29	
X0284525010	PLATE	Y00V8500	14	28		119620-79200	BALL BEARING	Y00V8500	15	9	
X0285005770	FRAME ASSY.	Y00V8500	14	11		119620-79210	PLATE	Y00V8500	15	10	
X0285105190	HOLDER ASSY.	Y00V8500	14	5		119620-79220	SCREW	Y00V8500	15	11	
X0285205030	SPRING	Y00V8500	14	6		119620-79230	BOLT, STUD	Y00V8500	15	12	
X0286105050	SHAFT SUB-ASSY.	Y00V8500	14	16		119620-79240	BALL BEARING	Y00V8500	15	5	
X0286305010	GEAR	Y00V8500	14	18		119620-79250	COVER, BEARING	Y00V8500	15	6	
X0286355010	GEAR	Y00V8500	14	19		119620-79260	HOLDER	Y00V8500	15	18	
X0287405140	LEVER	Y00V8500	14	20		119620-79270	HOLDER, BRUSH	Y00V8500	15	19	
X0534007800	SWITCH, EMERGENCY	Y00V8500	14	21		119620-79280	SPRING	Y00V8500	15	21	
X1289510130	NUT	Y00V8500	14	36		119620-79290	SCREW	Y00V8500	15	22	
X2284008090	HOUSING ASSY	Y00V8500	14	9		119620-79300	SCREW	Y00V8500	15	23	
X9055715000	RING	Y00V8500	14	22		119620-79310	BOLT	Y00V8500	15	24	
X9490065670	SCREW M 4X 6 (BS)	Y00V8500	14	34		119620-79320	SCREW W/WASHER	Y00V8500	15	25	
X9490138090	WASHER	Y00V8500	14	26		119620-79330	BOLT	Y00V8500	15	26	
X9490138100	WASHER	Y00V8500	14	27		119620-79340	INSULATION BUSH	Y00V8500	15	27	
X9490138110	WASHER	Y00V8500	14	25		119620-79350	NUT	Y00V8500	15	28	
X9490423520	BOLT, THROUGH	Y00V8500	14	31		119620-79360	THRUST WASHER	Y00V8500	15	7	
X9490560750	NUT	Y00V8500	14	30						30	
X9490561001	NUT	Y00V8500	15	3		119623-34850	DIPSTICK, LUB.OIL	Y00V8500	8	19	
X9490562360	NUT	Y00V8500	14	29		119625-11870	PROTECTOR, NOZZLE	Y00V8500	4	19	
X9490721360	RING	Y00V8500	14	23					16	6	
X9491034320	BEARING	Y00V8500	14	17		119625-11880	SEAT, NOZZLE	Y00V8500	4	20	
X9491034330	BEARING	Y00V8500	14	15					16	7	
X9491040990	BEARING	Y00V8500	14	12		119625-11900	RETAINER	Y00V8500	4	21	
X9491050100	NEEDLE BEARING	Y00V8500	14	10		119643-66900	DIODE	Y00V8500	15	35	
101304-59020	JOINT 12, PIPE	Y00V8500	13	13		119650-77910	RELAY, GROW	Y00V8500	15	36	
102103-55520	O-RING	Y00V8500	13	5		119653-77950	SOLENOID, STOP	Y00V8500	11	86	
103854-39140	BOLT, PIPE JOINT	Y00V8500	13	12		119660-61901	RETAINER, SHAFT	Y00V8500	11	61	
104200-55330	SPRING, TAPER VALVE	Y00V8500	13	2		119802-11280	STUD	Y00V8500	4	34	
104200-55750	SCREW M 4	Y00V8500	13	9		119802-13640	BOLT, M8X60	Y00V8500	5	14	
104211-11180	RETAINER, SPRING	Y00V8500	4	14		119802-13740	STUD M 8X 60	Y00V8500	5	15	
104211-11370	CAP, VALVE	Y00V8500	4	18		119810-01200	BOLT, CYL. HEAD	Y00V8500	1	21	
105025-59750	PIPE, FUEL OIL	Y00V8500	13	19		119810-01780	SEAL, OIL	Y00V8500	3	19	
105425-01690	PLUG M16	Y00V8500	3	5		119810-02800	MAIN BEARING	Y00V8500	1	15	
110250-55610	RING, RETAINING	Y00V8500	13	6		119810-02870	MAIN BEARING US=0.25	Y00V8500	1	23	
114250-53080	NUT, NOZZLE CASE	Y00V8500	12	5		119810-02930	BEARING, THRUST	Y00V8500	1	18	
114250-53120	SPRING, NOZZLE	Y00V8500	12	9		119810-02940	BEARING, THRUST .250s	Y00V8500	1	26	
114250-53130	SEAT, NOZZLE SPRING	Y00V8500	12	10		119810-11100	VALVE, SUCTION	Y00V8500	4	11	
114250-53140	PLATE, STOP	Y00V8500	12	11		119810-11110	VALVE, EXHAUST	Y00V8500	4	12	
114250-53210	PIN	Y00V8500	12	12		119810-11120	SPRING, VALVE	Y00V8500	4	13	
114250-53400	SHIM PACK	Y00V8500	12	13		119810-11240	SHAFT, ROCKER ARM	Y00V8500	4	24	
119131-18320	BOLT M 8X 22	Y00V8500	5	13		119810-12101	MANIFOLD, INTAKE	Y00V8500	5	1	
119260-34810	GUIDE, DIPSTICK	Y00V8500	8	17		119810-12111	GASKET, (NON-ASB.)	Y00V8500	5	2	
119285-66610	CAP, HIGH-IDLE	Y00V8500	11	92					16	10	
119609-32040	O-RING P16	Y00V8500	2	13		119810-13100	MANIFOLD, EXHAUST	Y00V8500	5	10	
			16	20		119810-13110	GASKET, EXH.MANIFOLD	Y00V8500	5	11	



PART NO.	DESCRIPTION	CATALOG NO.	GRP. NO.	REF. NO.	LOC. NO.	PART NO.	DESCRIPTION	CATALOG NO.	GRP. NO.	REF. NO.	LOC. NO.
119810-13110	GASKET, EXH.MANIFOLD	Y00V8500	16	11		121450-42450	PLUG M16	Y00V8500	9	28	
119810-14400	ROD, PUSH	Y00V8500	6	2		121550-49111	JOINT PT1/4	Y00V8500	9	30	
119810-14580	CAMSHAFT ASSY	Y00V8500	6	3		121850-21680	BOLT, V-PULLEY	Y00V8500	7	10	
119810-23200	BOLT, CONNECTING ROD	Y00V8500	7	27		121850-51960	O-RING, F.I.PUMP	Y00V8500	2	12	
119810-23600	BEARING, CRANKPIN	Y00V8500	7	28					16	4	
119810-23610	BEARING, PIN U.S=0.25	Y00V8500	7	30		122710-51090	KEY	Y00V8500	10	8	
119810-23910	BUSH, PISTON PIN	Y00V8500	7	26		124060-11800	GUIDE, VALVE	Y00V8500	4	7	
119810-39200	PIPE ASSY, LUB. OIL	Y00V8500	8	29		124066-59100	CLAMP 8	Y00V8500	12	33	
119810-42001	PUMP, C.W.(NON-ASB.)	Y00V8500	9	1						36	
119810-42120	PLATE	Y00V8500	9	4		124160-01751	COVER, FILLER	Y00V8500	2	6	
119810-42281	GASKET, (NON-ASB.)	Y00V8500	9	8					4	39	
119810-42290	PIPE, C.W. PUMP	Y00V8500	9	9		124160-01910	PLUG PT1/4	Y00V8500	1	4	
119810-55340	LEVER	Y00V8500	13	3						14	
119810-55650	ELEMENT	Y00V8500	13	8		124160-11340	SEAL, VALVE STEM	Y00V8500	4	16	
119810-59810	PIPE, FUEL INJECTION	Y00V8500	12	30					16	5	
119810-59820	PIPE, FUEL INJECTION	Y00V8500	12	31		124160-11360	KNOB	Y00V8500	4	48	
119810-59830	PIPE, FUEL INJECTION	Y00V8500	12	32		124160-39140	BOLT 10, PIPE JOINT	Y00V8500	8	28	
119810-77340	BOLT	Y00V8500	15	33		124240-01871	COVER, HO-P	Y00V8500	2	7	
119812-01330	GASKET, HEAD	Y00V8500	1	22		124465-44950	GASKET 16	Y00V8500	9	27	
			16	2					16	24	
119812-11700	HEAD ASSY, CYLINDER	Y00V8500	4	4		124520-77012	STARTER (P1.0	Y00V8500	14	2	
119813-21000	CRANKSHAFT ASSY	Y00V8500	7	1		124550-51350	GASKET, DELIVERY	Y00V8500	10	30	
119813-22080	PISTON ASSY	Y00V8500	7	15		124550-51370	O-RING, DELIVERY	Y00V8500	10	31	
119813-22300	PIN, PISTON	Y00V8500	7	21		124550-59820	BOLT 8, PIPE JOINT	Y00V8500	8	34	
119813-22500	RING SET, PISTON	Y00V8500	7	17		124550-59830	BOLT W/ SEAL WASHER	Y00V8500	8	33	
119813-22900	PISTON W/RING OS=.25	Y00V8500	7	32		124550-77030	COVER, TERMINAL	Y00V8500	14	37	
119822-01600	FLANGE, MOUNTING	Y00V8500	3	2		124701-11911	GASKET, (NON-ASB.)	Y00V8500	5	16	
119822-01760	COVER	Y00V8500	3	7					16	27	
119822-01770	RUBBER SEAL	Y00V8500	3	8		124766-59050	CLAMP 12	Y00V8500	13	15	
			16	25						18	
119822-01780	SUMP, LUB.OIL	Y00V8500	3	4		124950-11340	SEAL, VALVE STEM	Y00V8500	4	17	
119822-21580	FLYWHEEL W/GEAR	Y00V8500	7	12					16	12	
119822-35080	PIPE ASSY, LUB.OIL	Y00V8500	8	16		124950-51190	SPRING, PLUNGER	Y00V8500	10	15	
119823-34810	GUIDE, DIPSTICK	Y00V8500	8	14		128300-77920	TIMER	Y00V8500	15	34	
119823-77330	ADJUSTER	Y00V8500	15	1		129001-01250	PLUG 50	Y00V8500	1	7	
119831-42290	V-BELT A37.5	Y00V8500	9	17		129001-32001	PUMP ASSY, LUB. OIL	Y00V8500	8	1	
119833-55620	STRAINER ASSY, FUEL	Y00V8500	13	1		129001-35300	BOLT, LUB.O. STRAINER	Y00V8500	8	24	
119840-59500	PIPE ASSY, RETURN	Y00V8500	12	35		129001-91841	BOLT M 8X 85 PLATED	Y00V8500	2	20	
119840-59560	PIPE, FUEL RETURN	Y00V8500	12	37		129003-22950	RING SET O.S=0.25	Y00V8500	7	34	
119840-59570	JOINT	Y00V8500	12	38		129030-44760	SPACER	Y00V8500	9	20	
119865-11210	SUPPORT ASSY, ROCKER	Y00V8500	4	23		129052-61050	PACKING	Y00V8500	11	5	
119865-11310	GASKET, BONNET	Y00V8500	4	44		129052-61060	COVER	Y00V8500	11	6	
			16	8		129052-61070	PACKING	Y00V8500	11	7	
119865-21600	GEAR, RING	Y00V8500	7	14		129052-61390	SHAFT, GOV. LEVER	Y00V8500	11	18	
119908-61501	LEVER ASSY, GOVERNOR	Y00V8500	11	33		129100-01580	PARALLEL PIN 8X16	Y00V8500	3	1	
120323-61470	BOLT, CONTROL	Y00V8500	11	81						16	
121023-01550	COVER, BLIND	Y00V8500	2	24						7	2
121111-21501	BOLT, FLYWHEEL	Y00V8500	7	11		129100-25061	SHAFT, IDLE GEAR	Y00V8500	6	9	
121250-44901	SWITCH, THERMO(110°C	Y00V8500	9	29		129100-51560	PINION	Y00V8500	10	48	
121250-55620	SPRING	Y00V8500	13	7		129100-51570	SCREW	Y00V8500	10	49	
121250-59550	PIPE, FUEL	Y00V8500	12	34		129100-52100	PUMP ASSY, FUEL FEED	Y00V8500	10	97	
121252-39450	SENDER, OIL PRESSURE	Y00V8500	8	38		129100-53100	HOLDER ASSY, NOZZLE	Y00V8500	12	6	
121254-55510	CUP, STRAINER	Y00V8500	13	4		129100-59951	VALVE ASSY, CHECK	Y00V8500	12	40	
121450-01560	STUD M 8X 22	Y00V8500	2	5		129100-61400	SHAFT ASSY, CONTROL	Y00V8500	11	19	



PART NO.	DESCRIPTION	CATALOG NO.	GRP. NO.	REF. NO.	LOC. NO.	PART NO.	DESCRIPTION	CATALOG NO.	GRP. NO.	REF. NO.	LOC. NO.
129100-61440	LEVER, CONTROL	Y00V8500	11	80		129155-51450	SHIM SET, ADJUSTING	Y00V8500	10	38	
129100-61650	SPRING, FUEL CONTROL	Y00V8500	11	82		129155-51500	RACK, CONTROL	Y00V8500	10	43	
129100-77500	HEATER, AIR	Y00V8500	5	4		129155-51521	BUSH, RACK	Y00V8500	10	44	
129100-77510	GASKET, AIR HEATER	Y00V8500	5	5		129155-51530	SPACER, AUX. SPRING	Y00V8500	10	45	
			16	26		129155-51540	CIRCLIP	Y00V8500	10	46	
129108-51100	PLUNGER W/BARREL	Y00V8500	10	9		129155-51550	PINION, CONTROL	Y00V8500	10	47	
129150-02450	METAL, THRUST (CAM	Y00V8500	6	4		129155-51570	PLUG (M12)	Y00V8500	10	50	
129150-03020	COVER, BREATHER	Y00V8500	4	40		129155-51580	O-RING	Y00V8500	10	51	
129150-03070	BAFFLE, BREATHER	Y00V8500	4	41		129155-51591	SPRING, RACK	Y00V8500	10	52	
129150-03080	PLATE, SHELTER	Y00V8500	4	42		129155-51600	SHIM PACK	Y00V8500	10	53	
129150-03100	RETAINER	Y00V8500	2	10		129155-51701	COVER	Y00V8500	10	72	
129150-11230	SCREW, VALVE	Y00V8500	4	31		129155-51711	PACKING	Y00V8500	10	73	
129150-11280	SPRING	Y00V8500	4	29		129155-51751	COVER, SIDE	Y00V8500	10	74	
129150-11750	NUT M8XP1.0	Y00V8500	4	33		129155-51760	GASKET, SIDE COVER	Y00V8500	10	75	
129150-14101	GEAR, CAMSHAFT	Y00V8500	6	6		129155-51790	LOCKING, RACK	Y00V8500	10	76	
129150-14200	TAPPET	Y00V8500	6	1		129155-51930	SPACER T=3.25	Y00V8500	10	78	
129150-21200	GEAR, CRANKSHAFT	Y00V8500	7	4		129155-51940	SPACER T=1.5	Y00V8500	10	79	
129150-25101	GEAR W/BUSH	Y00V8500	6	10		129155-52050	GASKET	Y00V8500	10	96	
129150-25301	BOLT, FI-P	Y00V8500	6	16		129155-61120	LINK L=30(MARK 0)	Y00V8500	11	8	
129150-25920	BUSH, IDLE GEAR	Y00V8500	6	13		129155-61130	LINK L=31(MARK 1)	Y00V8500	11	9	
129150-25931	GEAR	Y00V8500	6	15		129155-61140	LINK L=30.5(MARK 05)	Y00V8500	11	10	
129150-32020	GASKET, L.O. PUMP	Y00V8500	8	39		129155-61341	SLEEVE	Y00V8500	11	15	
			16	13		129155-61350	SLEEVE	Y00V8500	11	16	
129150-35041	GASKET, (NON-ASB.)	Y00V8500	8	15		129155-61360	SLEEVE	Y00V8500	11	17	
			16	14		129155-61430	SPACER, SHAFT	Y00V8500	11	22	
129150-35101	BRACKET, STRAINER	Y00V8500	8	21		129155-61450	BOLT, REVOL. LIMIT	Y00V8500	11	26	
129150-35111	GASKET, (NON-ASB.)	Y00V8500	8	22		129155-61460	BOLT, IDLE LIMIT	Y00V8500	11	27	
			16	15		129155-61480	SPACER ASSY	Y00V8500	11	28	
129150-35151	FILTER 80X80L	Y00V8500	8	23		129155-61830	O-RING S10	Y00V8500	11	60	
129150-35350	NUT	Y00V8500	8	25		129155-61950	BOLT, WASHER BASED	Y00V8500	11	62	
129150-42320	O-RING	Y00V8500	9	11		129156-51910	LABEL, CAUTION	Y00V8500	10	77	
129150-49811	GASKET, (NON-ASB.)	Y00V8500	9	25		129171-51040	CAMSHAFT	Y00V8500	10	5	
			16	3		129208-51060	SUPPORT	Y00V8500	10	7	
129150-59120	RETAINER, INJ. PIPE	Y00V8500	12	25		129208-51300	VALVE, DELIVERY	Y00V8500	10	25	
129150-59131	BOLT M4X14, HEX. SCKT.	Y00V8500	12	28		129208-54500	FLANGE ASSY	Y00V8500	10	90	
129150-59580	CAP	Y00V8500	12	39		129209-61370	NUT M6	Y00V8500	11	63	
129150-77511	GASKET, (NON-ASB.)	Y00V8500	5	6		129209-61930	CAP NUT	Y00V8500	11	84	
			16	9		129209-61940	CASE ASSY	Y00V8500	11	89	
129155-11260	SUPPORT, ROCKER ARM	Y00V8500	4	27		129209-61970	PLATE	Y00V8500	11	85	
129155-11270	SUPPORT, ROCKER ARM	Y00V8500	4	28		129210-59040	PIPE ASSY, FUEL OIL	Y00V8500	13	14	
129155-49800	THERMOSTAT	Y00V8500	9	24		129210-59130	PIPE ASSY, FUEL OIL	Y00V8500	13	17	
129155-51020	STUD, FEED PUMP	Y00V8500	10	4		129211-77920	TIMER	Y00V8500	15	39	
129155-51051	RETAINER	Y00V8500	10	6		129350-49530	COVER, THERMOSTAT	Y00V8500	9	22	
129155-51140	PIN, BARREL LOCKING	Y00V8500	10	12		129400-01520	FLANGE, GEARS HOUSING	Y00V8500	2	4	
129155-51180	SPRING SHOE, PLUNGER	Y00V8500	10	14		129400-92420	FLEX HORN	Y00V8500	16	29	
129155-51200	TAPPET ASSY	Y00V8500	10	16		129403-42380	V-PULLEY (D=110)	Y00V8500	9	18	
129155-51270	LOCKING, TAPPET	Y00V8500	10	23		129423-77200	GENERATOR	Y00V8500	15	2	
129155-51280	O-RING S6	Y00V8500	10	24		129423-77450	COVER	Y00V8500	15	14	
			11	2		129423-77710	REGULATOR ASSY	Y00V8500	15	17	
129155-51380	LOCKING (A)	Y00V8500	10	33		129432-44740	FAN, COOLING (D370*EF)	Y00V8500	9	19	
129155-51390	LOCKING (B)	Y00V8500	10	34		129486-01670	BOLT M8X30, COLLAR HD	Y00V8500	3	20	
129155-51400	DEFLECTOR	Y00V8500	10	35		129486-42050	GASKET	Y00V8500	9	14	
129155-51410	CHECK BOLT, DEFLECTOR	Y00V8500	10	36					16	16	
129155-51420	PLUG (M16)	Y00V8500	10	37		129486-61201	WEIGHT ASSY, GOVERNOR	Y00V8500	11	11	



PART NO.	DESCRIPTION	CATALOG NO.	GRP. NO.	REF. NO.	LOC. NO.	PART NO.	DESCRIPTION	CATALOG NO.	GRP. NO.	REF. NO.	LOC. NO.
129486-61540	SPRING, SET	Y00V8500	11	52		24311-000150	O-RING 1A P-15.0	Y00V8500	11	91	
129555-01750	PIPE, KNOCK	Y00V8500	3	3		24311-000160	O-RING 1A P-16.0	Y00V8500	8	26	
129555-59510	PIPE, FUEL	Y00V8500	13	16					16	19	
129573-51330	SPRING, DELY. VALVE	Y00V8500	10	28		24311-000320	O-RING 1A P-32.0	Y00V8500	2	14	
129573-51340	GUARD, DELY. VALVE	Y00V8500	10	29					4	45	
129573-51370	STOPPER, VALVE	Y00V8500	10	32					16	21	
129609-53100	NOZZLE ASSY	Y00V8500	12	2		24311-240100	O-RING 1A P-10A	Y00V8500	8	18	
129792-22400	CIRCLIP 23	Y00V8500	7	22					13	10	
129795-01800	SEAL, OIL	Y00V8500	2	3					16	28	
129795-01900	STUD	Y00V8500	15	32		24341-000160	O-RING 1A S-16.0	Y00V8500	10	84	
129795-01950	PIPE, KNOCK L=18	Y00V8500	2	9		24341-000240	O-RING 1A S-24.0	Y00V8500	2	25	
129795-02411	BUSH, CAMSHAFT	Y00V8500	1	13					16	23	
129795-21661	WASHER	Y00V8500	7	9		24341-000280	O-RING 1A S-28.0	Y00V8500	11	71	
129795-49551	GASKET, (NON-ASB.)	Y00V8500	9	23		24341-000500	O-RING 1A S-50.0	Y00V8500	4	46	
			16	17					16	22	
129900-07900	LIFTER, ENGINE	Y00V8500	4	2		26014-080702	BOLT W/WASHER M8X 70	Y00V8500	13	11	
171051-01921	PLUG	Y00V8500	1	5		26022-050122	SCREW M 5X 12	Y00V8500	10	85	
171301-21650	V-PULLEY, CRANKSHAFT	Y00V8500	7	8		26022-060162	SCREW M 6X 16	Y00V8500	10	86	
171340-77520	BEND	Y00V8500	5	7		26076-100222	BOLT 10* 22	Y00V8500	3	12	
171350-03090	PIPE, BREATHER	Y00V8500	4	1		26106-060102	BOLT M 6X 10 PLATED	Y00V8500	11	72	
171353-61700	SPRING, GOVERNOR	Y00V8500	11	83						73	
174307-51170	RETAINER A	Y00V8500	10	13						74	
174307-51700	SHIM SET	Y00V8500	11	34		26106-060142	BOLT M 6X 14 PLATED	Y00V8500	9	13	
22117-040000	WASHER 4	Y00V8500	11	64					11	75	
22190-060003	WASHER, SEAL 6	Y00V8500	11	65		26106-060162	BOLT M 6X 16 PLATED	Y00V8500	2	8	
22190-080002	SEAL WASHER 8S	Y00V8500	2	11		26106-060202	BOLT M 6X 20 PLATED	Y00V8500	11	76	
				22		26106-060502	BOLT M 6X 50 PLATED	Y00V8500	9	21	
			3	9		26106-080122	BOLT M 8X 12 PLATED	Y00V8500	2	15	
			8	35		26106-080142	BOLT M 8X 14 PLATED	Y00V8500	6	8	
				36		26106-080162	BOLT M 8X 16 PLATED	Y00V8500	2	16	
22190-100002	SEAL WASHER 10S	Y00V8500	8	37						23	
				11	66				3	11	
22190-120002	SEAL WASHER 12	Y00V8500	11	67					4	3	
				12	48					47	
				13	20	26106-080202	BOLT M 8X 20 PLATED	Y00V8500	2	17	
22190-160002	SEAL WASHER 16S	Y00V8500	3	10					8	27	
				10	89	26106-080222	BOLT M 8X 22 PLATED	Y00V8500	9	26	
22217-050000	SPRING WASHER 5	Y00V8500	10	80		26106-080252	BOLT M 8X 25 PLATED	Y00V8500	3	13	
22217-060000	SPRING WASHER 6	Y00V8500	10	81					4	35	
22217-120000	SPRING WASHER	Y00V8500	10	92					5	3	
22287-120000	WASHER 12	Y00V8500	11	68		26106-080352	BOLT M 8X 35 PLATED	Y00V8500	3	15	
22351-040010	SPRING PIN 4X10	Y00V8500	7	7					8	20	
22351-050010	SPRING PIN 5X10	Y00V8500	10	82					9	15	
22351-060012	SPRING PIN 6X12	Y00V8500	4	22		26106-080402	BOLT M 8X 40 PLATED	Y00V8500	5	8	
22372-040000	SNAP PIN 4	Y00V8500	11	69		26106-080452	BOLT M 8X 45 PLATED	Y00V8500	2	18	
22512-070140	KEY 7X 14	Y00V8500	6	7					6	14	
				7	5	26106-080502	BOLT M 8X 50 PLATED	Y00V8500	4	36	
23414-120016	GASKET 12	Y00V8500	11	87		26106-080552	BOLT M 8X 55 PLATED	Y00V8500	2	19	
23876-010000	PLUG PT1/8, SCREW	Y00V8500	1	6					9	16	
23876-030000	PLUG PT3/8, SCREW	Y00V8500	9	12		26106-080802	BOLT M 8X 80 PLATED	Y00V8500	5	9	
23887-100002	PLUG 10	Y00V8500	11	70		26106-080852	BOLT M 8X 85 PLATED	Y00V8500	3	14	
24101-063034	BALL BEARING	Y00V8500	10	83		26116-050302	BOLT M 5X 30 PLATED	Y00V8500	10	87	
24311-000120	O-RING 1A P 12.0	Y00V8500	4	49		26116-120252	BOLT M12X 25 PLATED	Y00V8500	14	1	
			16	18		26216-060302	STUD M 6X 30 PLATED	Y00V8500	4	9	



PART NO.	DESCRIPTION	CATALOG NO.	GRP. NO.	REF. NO.	LOC NO.	PART NO.	DESCRIPTION	CATALOG NO.	GRP. NO.	REF. NO.	LOC. NO.
26306-080002	NUT	Y00V8500	2	21							
			5	12							
26306-100002	NUT	Y00V8500	15	31							
26366-060002	NUT M 6	Y00V8500	4	37							
26366-080002	NUT M 8	Y00V8500	11	88							
26450-060252	BOLT M 6X 25	Y00V8500	8	40							
26716-060002	NUT 6	Y00V8500	10	88							
26716-120002	NUT 12	Y00V8500	10	93							
26736-120002	NUT M12	Y00V8500	11	77							
26756-060002	LOCK NUT 6	Y00V8500	11	78							
26776-120002	LOCK NUT M12 PLATED	Y00V8500	11	79							
27241-120000	PLUG 12	Y00V8500	1	8							
27241-300000	PLUG 30	Y00V8500	1	9							
27241-400000	PLUG 40	Y00V8500	4	10							
27310-070000	COTTER	Y00V8500	4	15							
719810-01500	HOUSING ASSY, GEAR	Y00V8500	2	1							
719810-01650	CASE ASSY, OIL SEAL	Y00V8500	3	17							
719810-11521	BONNET ASSY	Y00V8500	4	38							
719810-11660	ARM ASSY, ROCKER	Y00V8500	4	30							
719810-23100	ROD ASSY, CONNECTING	Y00V8500	7	23							
719813-01560	BLOCK ASSY, CYLINDER	Y00V8500	1	1							
719823-92740	GASKET SET(NON-ASB.)	Y00V8500	16	1							
719853-51480	PUMP ASSY, F.INJECT	Y00V8500	10	1							
729609-53200	VALVE ASSY, F.INJECT	Y00V8500	12	1							
977770-01212	GASKET, LIQUID	Y00V8500	2	26							
			3	21							
			16	30							