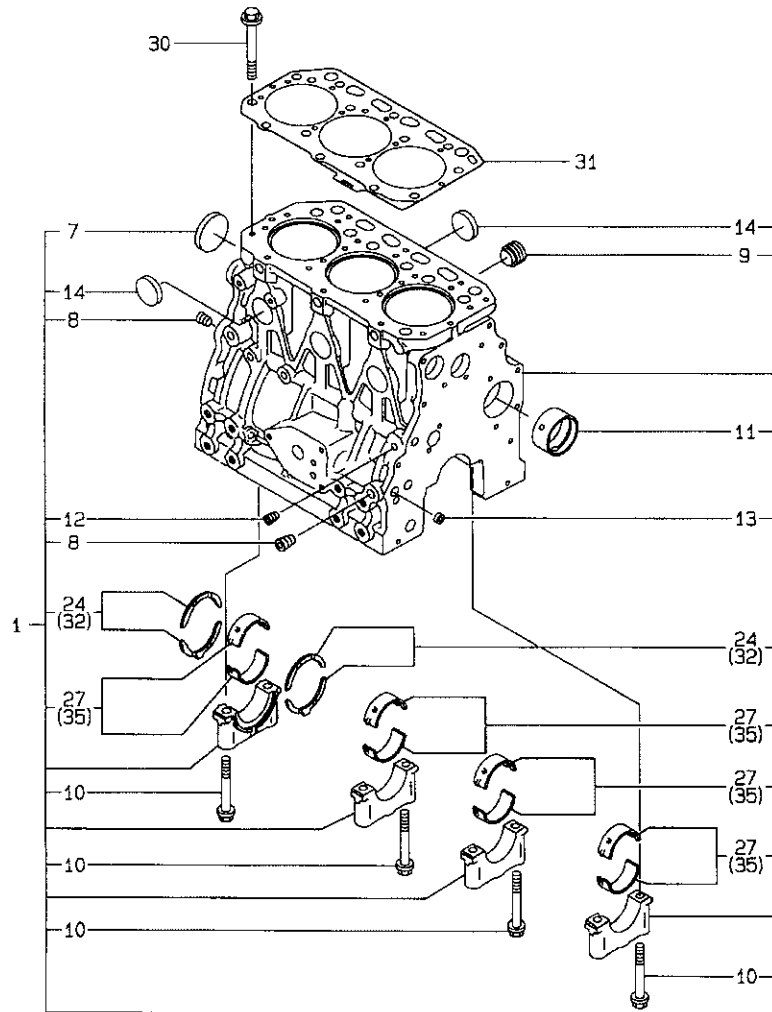


Y00V7810  
 3TNE88-ECR

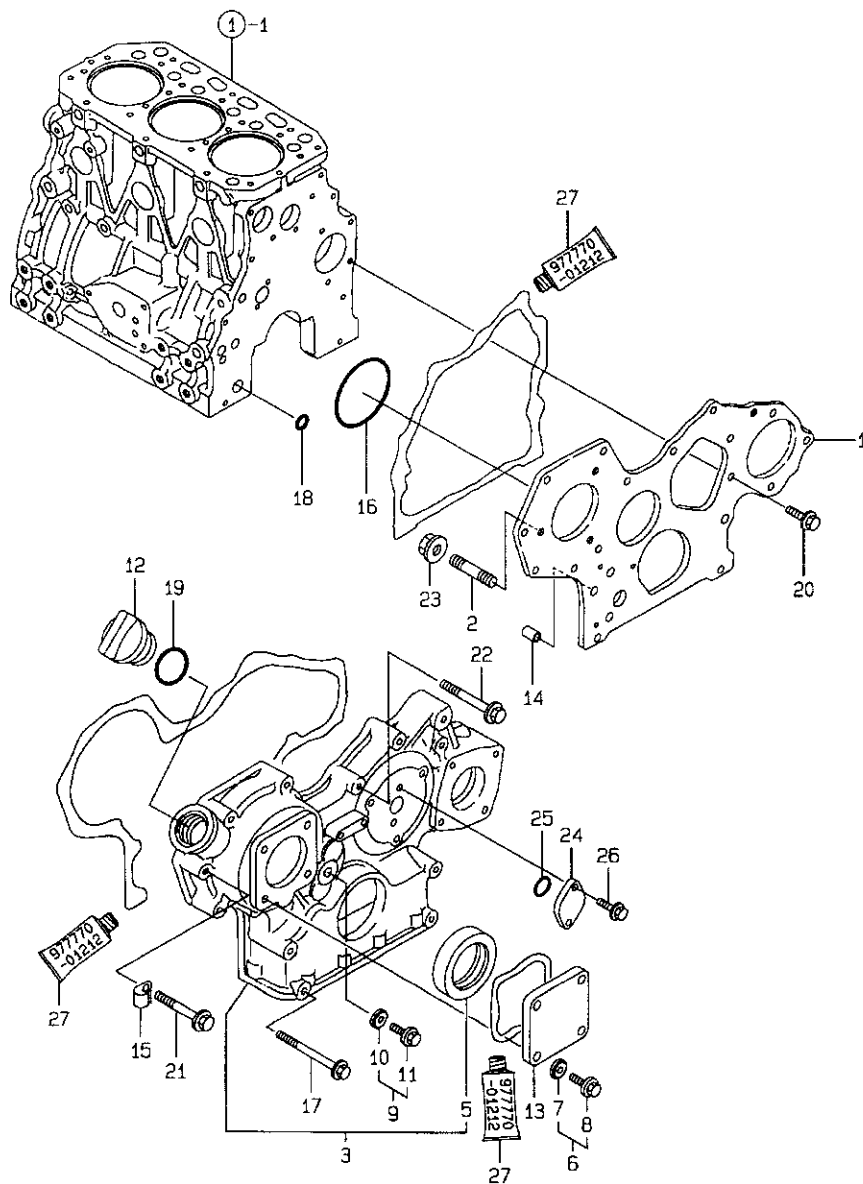
1. CYLINDER BLOCK



N. Rif.	Codice Ricambio	Descrizione
1	729001-01560	Block Assy, Cylinder
7	129001-01250	. Plug 50
8	124160-01910	. Plug Pt1/4
9	171051-01921	. Plug
10	129150-02020	. Bolt, Metal Cap
11	129795-02411	. Bush, Camshaft
12	23876-010000	. Plug Pt1/8,screw
13	27241-120000	. Plug 12
14	27241-300000	. Plug 30
24	129150-02930	. Metal, Thrust
27	129001-02930	. Main Bearing Set
30	129150-01200	Stud, Cyl. Head
31	129001-01340	Gasket, (non-asb.)
32	129150-02940	Metal,thrust.25(2pie
35	129150-02870	Main Metal Us=0.25

Y00V7810  
 3TNE88-ECR

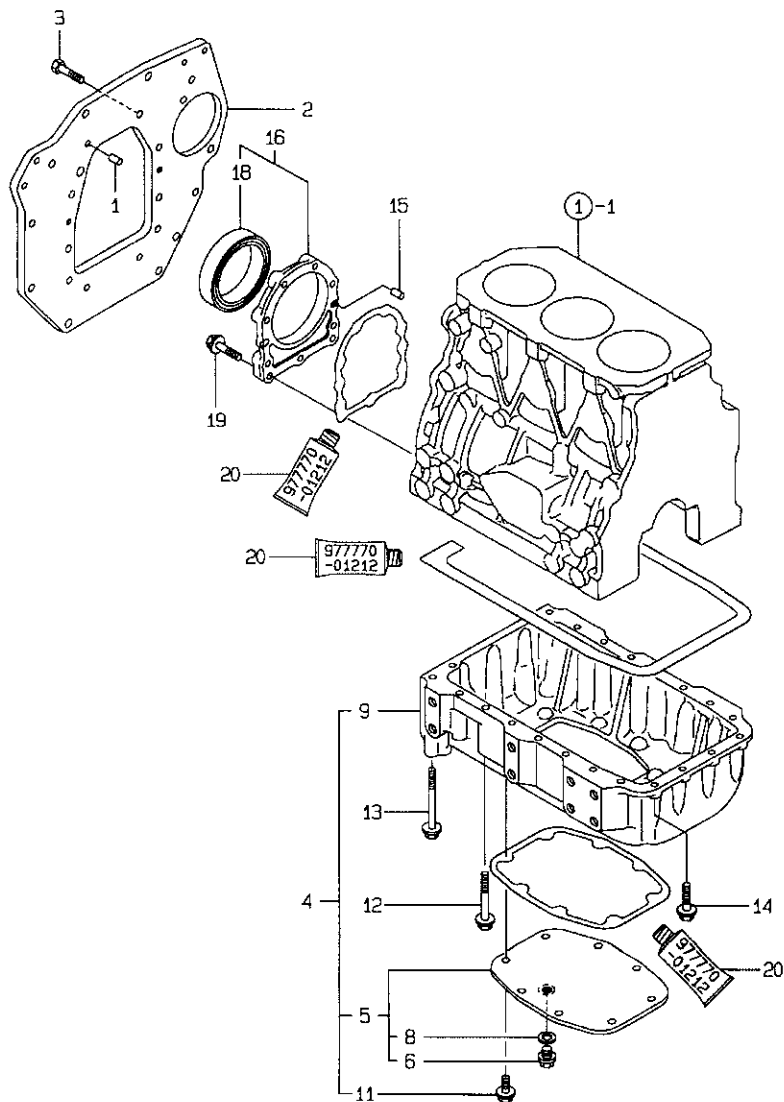
2. GEAR HOUSING



N. Rif.	Codice Ricambio	Descrizione
1	171353-01520	Flange, Gear Housing
2	121450-01560	Stud M 8x 22
3	171353-01580	Gear Case Assy
5	129795-01800	• Seal, Oil
6	124550-01590	Bolt M8x16
7	22190-080003	• Seal Waser 8
8	26106-080162	• Bolt M 8x 16 Plated
9	124550-01590	Bolt M8x16
10	22190-080003	• Seal Waser 8
11	26106-080162	• Bolt M 8x 16 Plated
12	124160-01751	Cap, Lub.oil Supply
13	124240-01871	Cover, Ho-p
14	129795-01950	Pipe, Knock L=18
15	129150-03100	Retainer
16	121850-51960	O-ring, F.i.pump
17	129001-91841	Bolt M8x85(auto
18	24311-000160	O-ring 1a P-16.0
19	24311-000320	O-ring 1a P-32.0
20	26106-080162	Bolt M 8x 16 Plated
21	26106-080452	Bolt M 8x 45 Plated
22	26106-080552	Bolt M 8x 55 Plated
23	26306-080002	Nut
24	121023-01550	Cover, Blind
25	24341-000240	O-ring 1a S-24.0
26	26106-060162	Bolt M 6x 16 Plated
27	977770-01212	Gasket, Liquid

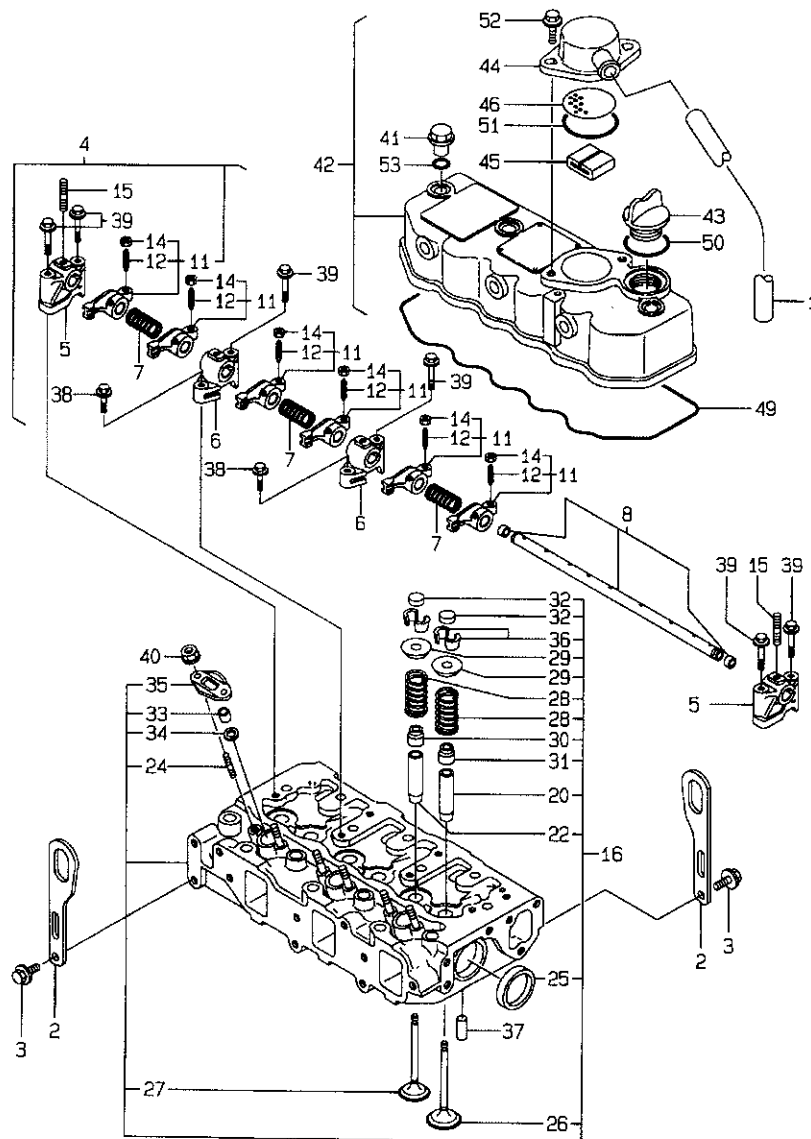
Y00V7B10  
 3TNE88-ECR

3.MOUNTING FLANGE & OIL SUMP



N. Rif.	Codice Ricambio	Descrizione
1	129100-01580	Parallel Pin 8x16
2	129129-01600	Flange, Mounting
3	26206-100202	Bolt M10x20
4	129126-01550	Oilpan Assy
5	129129-01540	• . Lub.oil Cmp
6	105425-01690	•• .. Plug M16
8	22190-160002	•• .. Seal Washer 16s
9	129126-01700	• . Oil Pan
11	26106-080122	• . Bolt M 8x 12 Plated
12	129001-91841	Bolt M8x85(auto)
13	129001-91910	Bolt M8x120(auto)
14	26106-080252	Bolt M 8x 25 Plated
15	129100-01580	Parallel Pin 8x16
16	129100-01640	Case Assy, Oil Seal
18	129795-01780	• . Seal Oil
19	129486-01670	Bolt M8x30, collar Hd
20	97770-01212	Gasket, Liquid

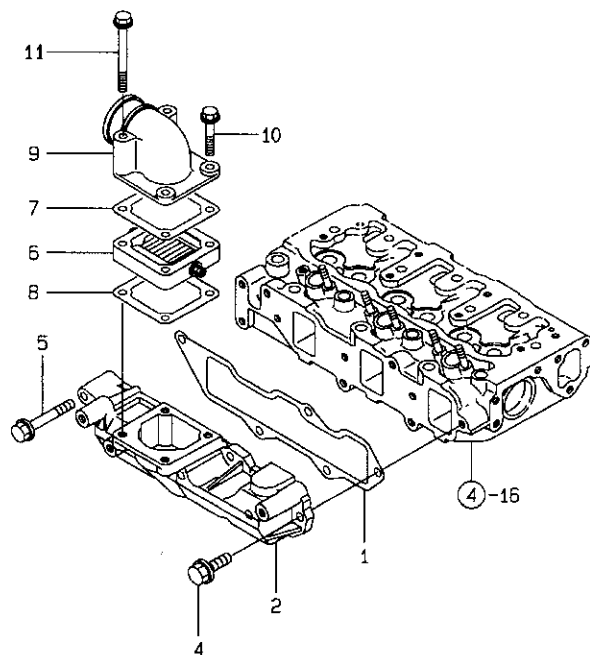
4. CYLINDER HEAD & BONNET



N. Rif.	Codice Ricambio	Descrizione
1	129150-03090	Pipe
2	124736-07900	Lifter, Engine
3	26106-080142	Bolt M 8x 14 Plated
4	129155-11241	Shaft Assy, Rocker
5	129155-11260	. . Support, Rocker Arm
6	129155-11270	. . Support, Rocker Arm
7	129150-11280	. . Spring
8	129150-11290	. . Shaft, Rocker Arm
11	729402-11650	. . Arm Assy, Rocker
12	129150-11230	.. .. Screw, Valve
14	129150-11750	.. .. Nut M8x1.0
15	26226-080182	. . Stud M 8x 18 Plated
16	129051-11700	Head Assy, Cylinder
20	120130-11860	. . Guide, Valve
22	129150-11810	. . Guide, Valve
24	26216-060202	. . Stud M 6x 20 Plated
25	27241-400000	. . Plug 40
26	129100-11100	. . Valve, Intake
27	129100-11110	. . Valve, Exhaust
28	129795-11120	. . Spring, Valve
29	129795-11180	. . Retainer, Spring
30	121400-11340	. . Seal, Valve Stem
31	124460-11340	. . Seal, Valve Stem
32	129150-11370	. . Cap, Valve
33	119625-11870	. . Protector, Nozzle
34	119625-11880	. . Seat, Nozzle
35	119625-11900	. . Retainer
36	27310-080000	. . Cotter 8
37	22351-060012	Spring Pin 6x12
38	26106-080252	Bolt M 8x 25 Plated
39	26106-080502	Bolt M 8x 50 Plated
40	26366-060002	Nut M 6
41	124160-11360	Knob
42	729132-11521	Bonnet Assy
43	124160-01751	. . Cap, Lub.oil Supply
44	129150-03020	. . Cover, Breather
45	129150-03070	. . Baffle, Breather
46	129150-03080	. . Plate, Shelter
49	129150-11310	. . Gasket, Bonnet
50	24311-000320	. . O-ring 1a P-32.0
51	24341-000500	. . O-ring 1a S-50.0
52	26106-080162	. . Bolt M 8x 16 Plated
53	24311-000120	O-ring 1a P 12.0

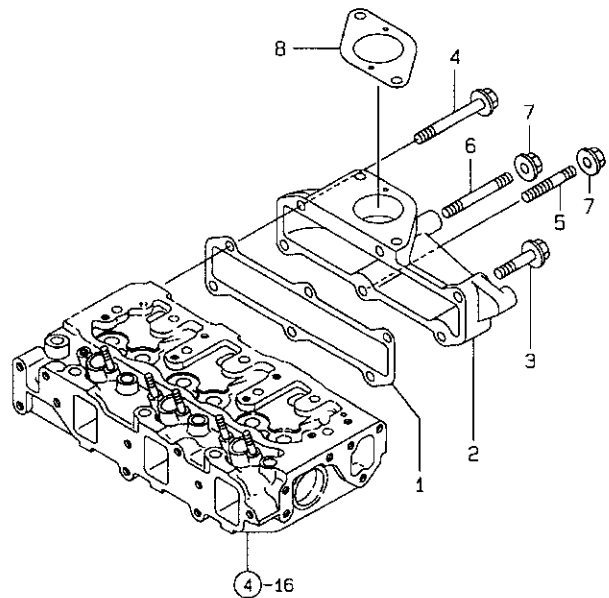
Y00V7610  
3TNE88-ECR

## 5. SUCTION MANIFOLD



N. Rif.	Codice Ricambio	Descrizione
1	129001-12110	Gasket,int. Manifold
2	129001-12120	Manifold, Suction
4	26106-080202	Bolt M 8x 20 Plated
5	26106-080502	Bolt M 8x 50 Plated
6	129100-77500	Heater, Air
7	129100-77510	Gasket, Air Heater
8	129150-77511	Gasket, (non-asb.)
9	171340-77520	Bend
10	26106-080402	Bolt M 8x 40 Plated
11	26106-080802	Bolt M 8x 80 Plated

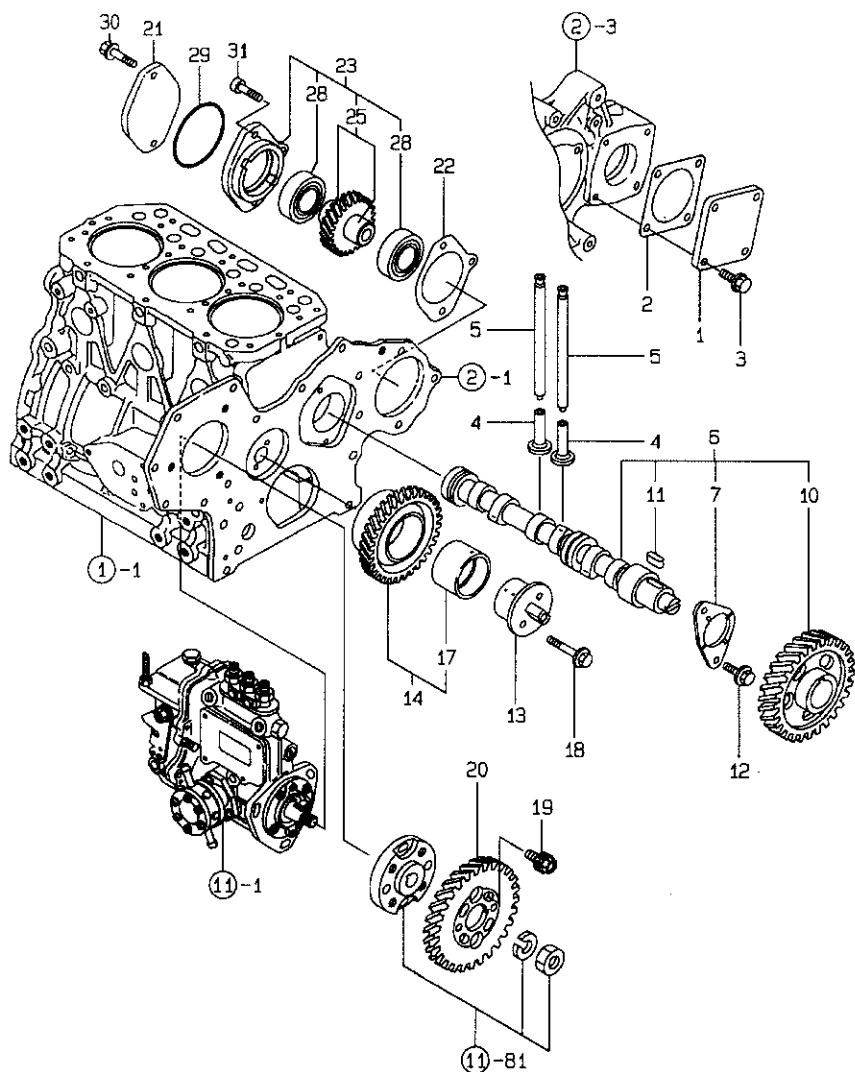
6. EXHAUST MANIFOLD



N. Rif.	Codice Ricambio	Descrizione
1	129001-13110	Gasket, Exh.manifold
2	129052-13150	Manifold, Exhaust
3	26106-080402	Bolt M 8x 40 Plated
4	26106-080752	Bolt M 8x 75 Plated
5	26216-080402	Stud M 8x 40 Plated
6	26216-080802	Stud M 8x 80 Plated
7	26306-080002	Nut
8	129107-13540	Packing,silencer Gsk

Y00V7B10  
 3TNE88-ECR

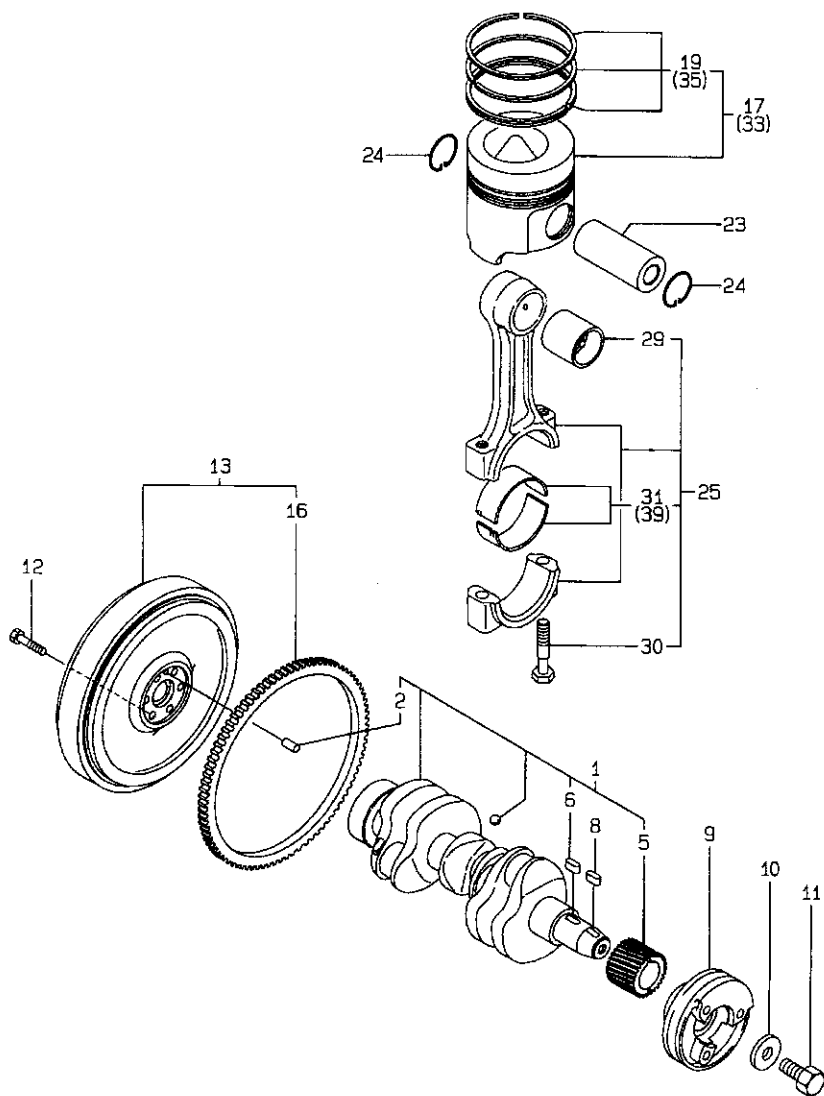
7. CAMSHAFT & DRIVING GEAR



N. Rif.	Codice Ricambio	Descrizione
1	124240-01871	Cover, Ho-p
2	124240-01883	Gasket, (non-asb.)
3	26106-080162	Bolt M 8x 16 Plated
4	129150-14200	Tappet
5	129150-14400	Rod, Push
6	129129-14580	Camshaft Assy
7	129150-02450	• . Metal, thrust(cam)
10	129150-14101	• . Gear, Camshaft
11	22512-070140	• . Key 7x 14
12	26106-080142	Bolt M 8x 14 Plated
13	129100-25061	Shaft, Idle Gear
14	129150-25101	Gear W/bush
17	129150-25920	• . Bush, Idle Gear
18	26106-080452	Bolt M 8x 45 Plated
19	129150-25301	Bolt, fi-p
20	129150-25931	Gear
21	121023-26070	Cover, Ho-p
22	171353-26081	Gasket, ho-p Bracket
23	129484-26200	Gear Assy, H.o. Pump
25	129484-26210	• . Gear W/shaft
28	24105-060064	• . Ball Bearing
29	24321-000850	O-ring 1a G-85.0
30	26106-100452	Bolt M10x 45 Plated
31	26450-080282	Bolt M 8x 28

Y00V7B10  
 3TNE88-ECR

**B. CRANKSHAFT & PISTON**

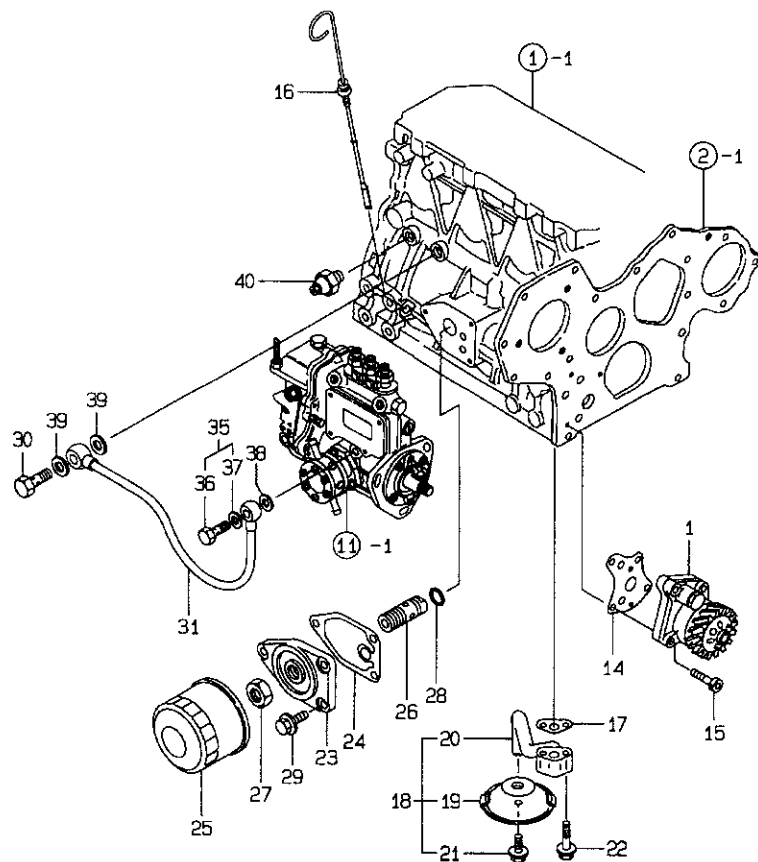


N. Rif.	Codice Ricambio	Descrizione
1	129001-21100	Crankshaft Assy
2	129100-01580	• Parallel Pin 8x16
5	129150-21200	• Gear, Crankshaft
6	22512-070140	• Key 7x 14
8	22512-070140	Key 7x 14
9	129051-21660	V-pulley
10	129795-21661	Washer
11	121850-21680	Bolt, V-pulley
12	124160-21501	Bolt, Flywheel
13	129051-21570	Flywheel Assy
16	119865-21600	• Gear, Ring
17	129001-22070	Piston W/ring
19	129001-22500	• Ring Set, Piston
23	129202-22300	Pin, piston
24	22252-000260	Circlip 26
25	729402-23100	Rod Assy, Connecting
29	129100-23910	• Bush, Piston Pin
30	121550-23200	• Bolt, Connecting Rod
31	129150-23600	• Bearing, Crankpin
33	129001-22930	Piston W/ring Os=.25
35	129001-22950	• Ring Set O.s=0.25
39	129150-23610	Metal.pin Us=0.25



Y00V7810  
 3TNE88-ECR

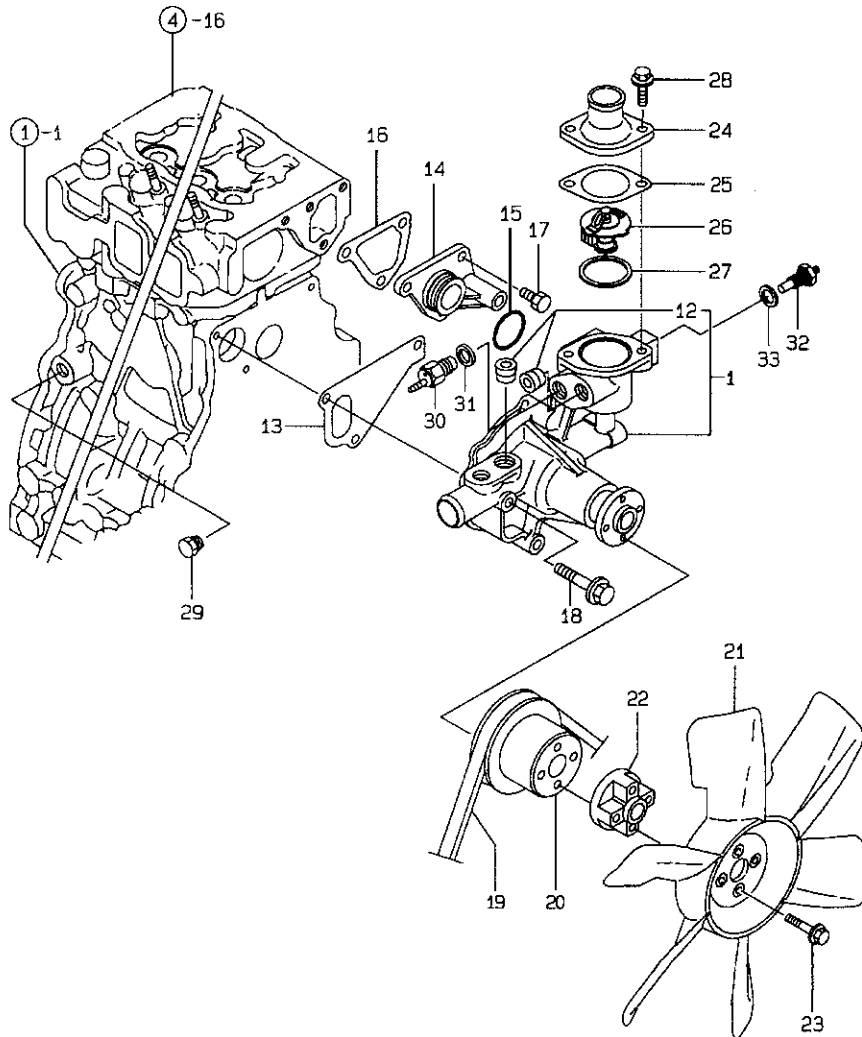
9.LUB.OIL SYSTEM



N. Rif.	Codice Ricambio	Descrizione
1	129001-32001	Pump Assy, Lub. Oil
14	129150-32020	Gasket, L.o. Pump
15	26450-060252	Bolt M 6x 25
16	129052-34800	Dipstick
17	129150-35041	Gasket, (non-asb.)
18	129129-35090	L.o. Pick-up Assy
19	129129-35010	• Inlet
20	129129-35080	• Pipe,l.o. Pick-up
21	26106-080122	• Bolt M 8x 12 Plated
22	26106-080352	Bolt M 8x 35 Plated
23	129150-35101	Bracket, Strainer
24	129150-35111	Gasket, (non-asb.)
25	129150-35151	Filter 80x80l
26	129001-35300	Bolt,lub.o. Strainer
27	129150-35350	Nut
28	24311-000160	O-ring 1a P-16.0
29	26106-080202	Bolt M 8x 20 Plated
30	124160-39140	Bolt 10, Pipe Joint
31	129150-39450	Pipe Assy, Lub. Oil
35	124550-59830	Bolt W/ Seal Washer
36	124550-59820	• Bolt 8, Pipe Joint
37	22190-080002	• Seal Washer 8s
38	22190-080002	Seal Washer 8s
39	22190-100002	Seal Washer 10s
40	121252-39450	Sender, Oil Pressure

Y00V7B10  
 3TNE88-ECR

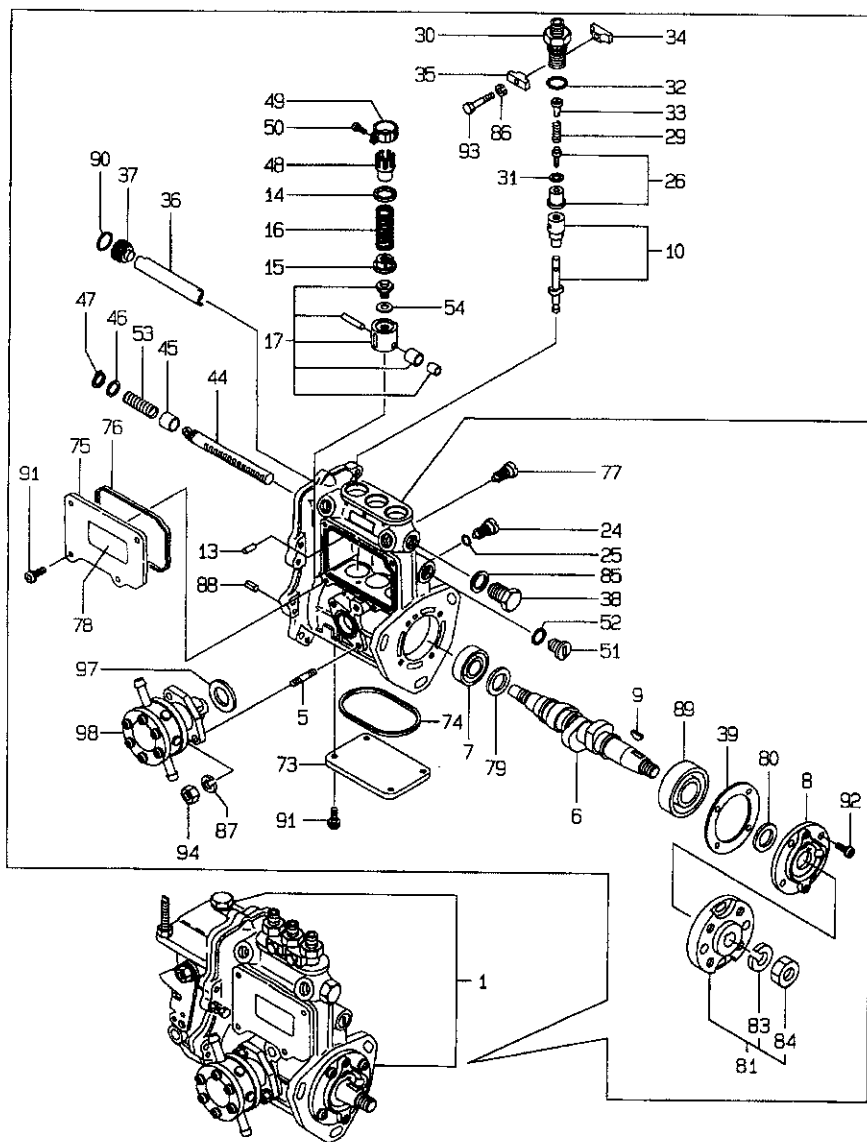
10. COOLING WATER SYSTEM



N. Rif.	Codice Ricambio	Descrizione
1	129001-42003	Pump Assy,coolant
12	23876-030000	Plug Pt3/8,screw
13	129486-42021	Gasket
14	129001-42040	Joint
15	129486-42140	O-ring,cw-p
16	124395-49840	Gasket, Thermo. Case
17	26106-080162	Bolt M 8x 16 Plated
18	26106-080602	Bolt M 8x 60 Plated
19	119865-42290	V-beit (a:36.5)
20	129403-42380	V-pulley(d=110)
21	129354-44740	Fan, Cooling
22	121267-44760	Spacer
23	26106-060352	Bolt M 6x 35 Plated
24	129350-49530	Cover, Thermostat
25	129795-49551	Gasket, (non-asb.)
26	129457-49800	Thermostat
27	129150-49811	Gasket, (non-asb.)
28	26106-080202	Bolt M 8x 20 Plated
29	171056-49120	Plug, Drain
30	121250-44901	Switch, Thermo(110&c
31	124465-44950	Gasket 16
32	124250-49351	Thermometer
33	129150-49360	Gasket 10

Y00V7810  
 3TNE88-ECR

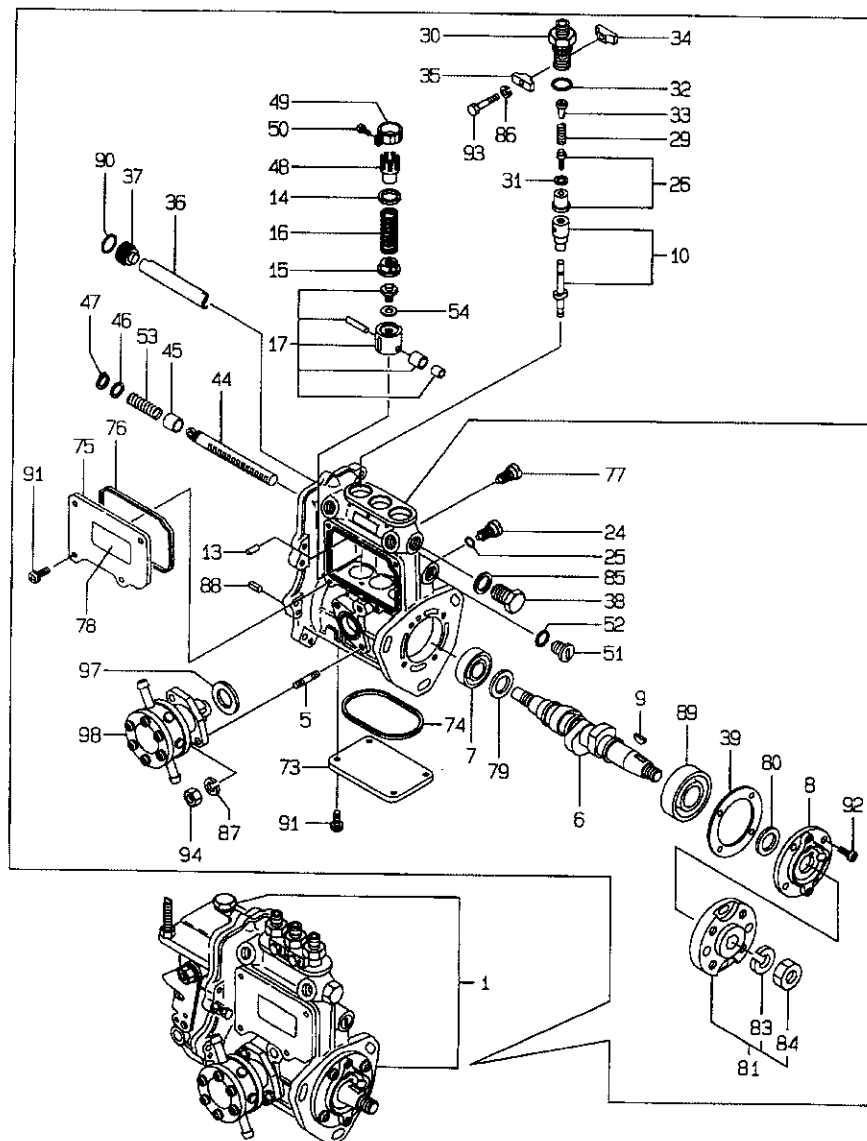
11.FUEL INJECTION PUMP



N. Rif.	Codice Ricambio	Descrizione
1	729051-51460	Pump Assy, F.inject
5	129155-51020	. Stud, Feed Pump
6	129171-51040	. Camshaft
7	129155-51050	. Ball Bearing, Thrust
8	129208-51060	. Support
9	122710-51090	. Key
10	129506-51100	. Plunger W/barrel
13	129155-51140	. Pin, Barrel Locking
14	174307-51170	. Retainer A
15	129155-51180	. Spring Shoe, Plunger
16	124950-51190	. Spring, Plunger
17	129155-51200	. Tappet Assy
24	129155-51270	. Locking, Tappet
25	129155-51280	. O-ring S6
26	129209-51300	. Valve Assy
29	129573-51330	. Spring, Dely. Valve
30	129573-51340	. Guard, Dely. Valve
31	124550-51350	. Gasket, Delivery
32	124550-51370	. O-ring, Delivery
33	129573-51370	. Stopper, Valve
34	129155-51380	. Locking (a)
35	129155-51390	. Locking (b)
36	129155-51400	. Deflector
37	129155-51410	. Check Bolt,deflector
38	129155-51420	. Plug (m16)
39	129155-51450	. Shim Set, Adjusting
44	129155-51500	. Rack, Control
45	129155-51521	. Bush, Rack
46	129155-51530	. Spacer, Aux. Spring
47	129155-51540	. Circlip
48	129155-51550	. Pinion, Control
49	129100-51560	. Pinion
50	129100-51570	. Screw
51	129155-51570	. Plug (m12)
52	129155-51580	. O-ring
53	129155-51591	. Spring, Rack
54	129155-51600	. Shim Pack
73	129155-51701	. Cover
74	129155-51711	. Packing
75	129155-51751	. Cover, Side
76	129155-51760	. Gasket, Side Cover
77	129155-51790	. Locking, Rack
78	129156-51910	. Label, Caution
79	129155-51930	. Spacer T=3.25
80	129155-51940	. Spacer T=1.5
81	129208-54500	. Flange Assy
83	22217-120000	.. Spring Washer
84	26716-120002	.. Nut 12
85	22190-160002	. Seal Washer 16s
86	22217-050000	. Spring Washer 5
87	22217-060000	. Spring Washer 6

Y00V7810  
 3TNE88-ECR

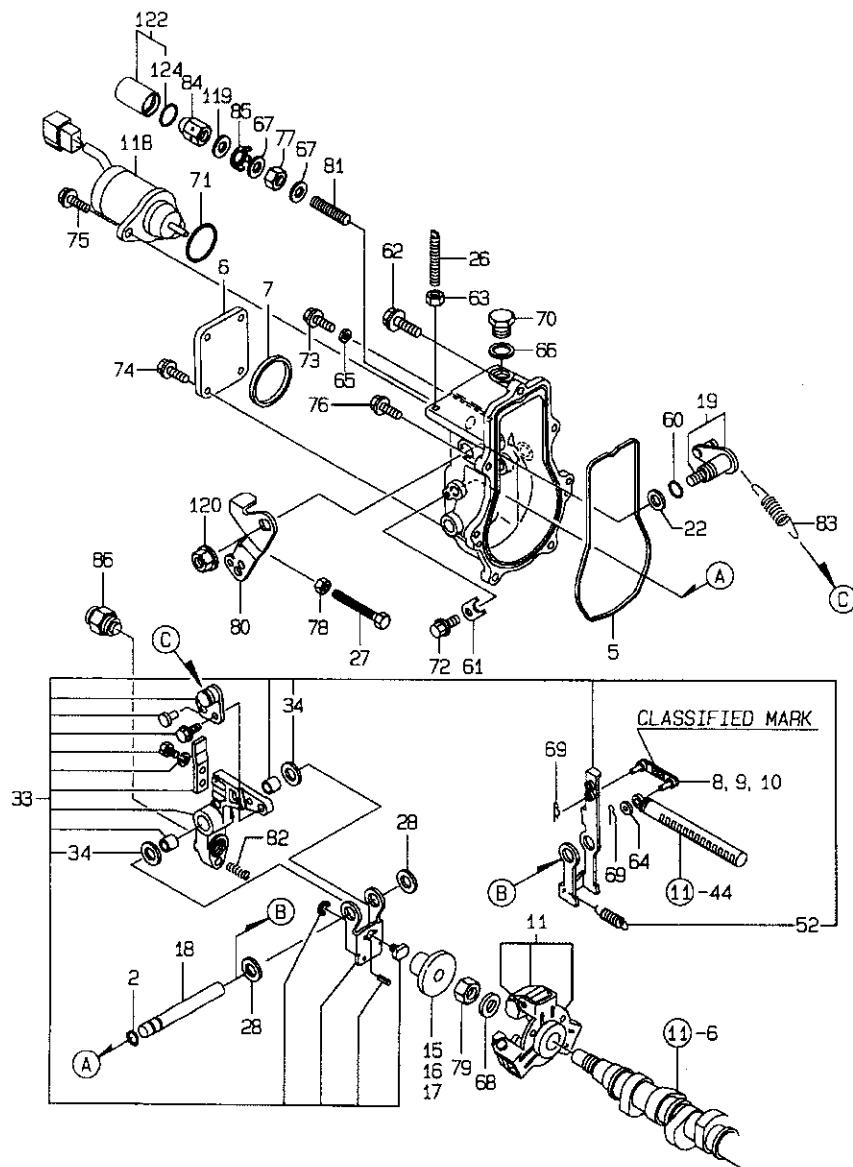
11.FUEL INJECTION PUMP



N. Rif.	Codice Ricambio	Descrizione
88	22351-050010	. Spring Pin 5x10
89	24101-063034	. Ball Bearing
90	24341-000160	. O-ring 1a S-16.0
91	26022-050122	. Screw M 5x 12
92	26022-060162	. Screw M 6x 16
93	26116-050302	. Bolt M 5x 30 Plated
94	26716-060002	. Nut 6
97	129155-52050	. Gasket
98	129100-52100	. Pump Assy, Fuel Feed

Y00V7B10  
 3TNE88-ECR

12. GOVERNOR

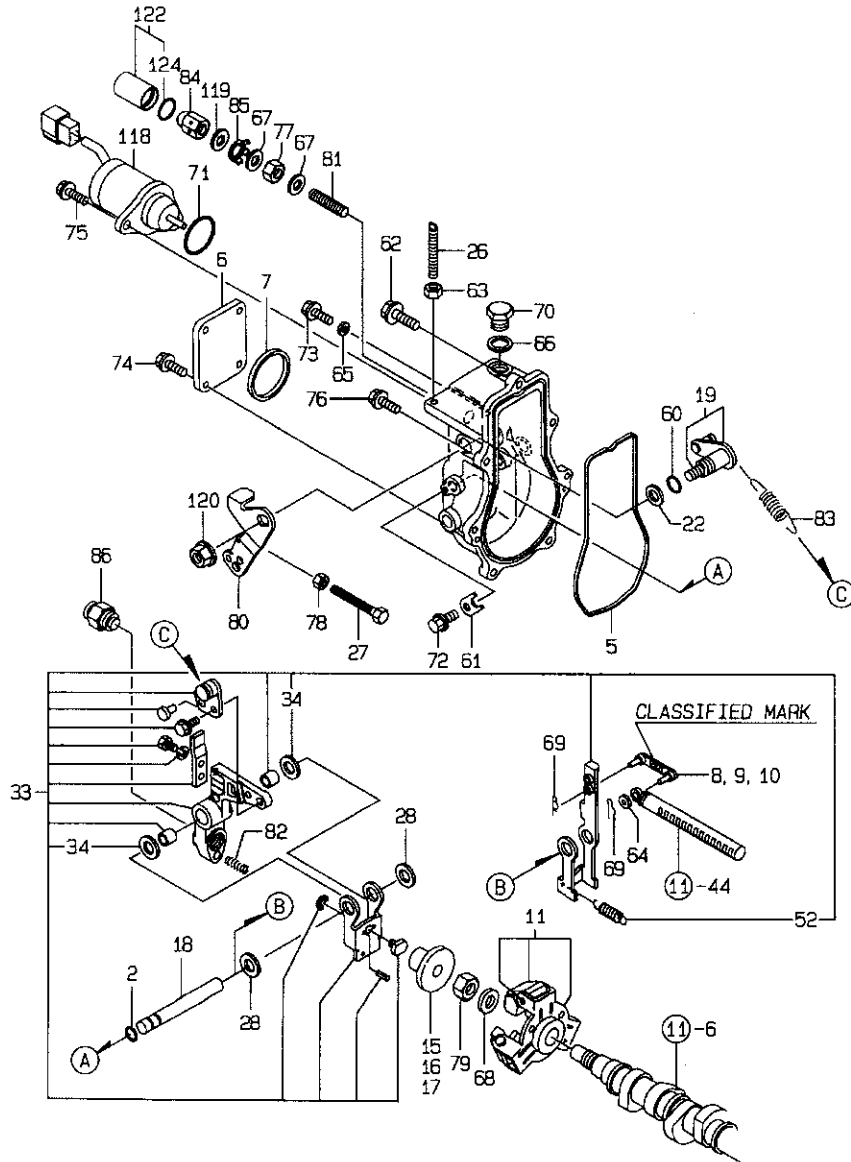


N. Rif.	Codice Ricambio	Descrizione
2	129155-51280	. O-ring S6
5	129052-61050	. Packing
6	129052-61060	. Cover
7	129052-61070	. Packing
8	129155-61120	. Link L=30(mark 0
9	129155-61130	. Link L=31(mark 1
10	129155-61140	. Link L=30.5(mark 05)
11	129486-61201	. Weight Assy,governor
15	129155-61341	. Sleeve
16	129155-61350	. Sleeve
17	129155-61360	. Sleeve
18	129052-61390	. Shaft, Gov. Lever
19	129100-61400	. Shaft Assy, Control
22	129155-61430	. Spacer, Shaft
26	129155-61450	. Bolt, Revol. Limit
27	129155-61460	. Bolt, Idle Limit
28	129155-61480	. Spacer Assy
33	119908-61501	. Lever Assy,governor
34	174307-51700	. Shim Set
52	129486-61540	. Spring, Set
60	129155-61830	. O-ring S10
61	119660-61901	. Retainer, Shaft
62	129155-61950	. Bolt, Washer Based
63	124550-66370	. Lock Nut M 6
64	22117-040000	. Washer 4
65	22190-060003	. Washer,seal 6
66	22190-100002	. Seal Washer 10s
67	22190-120002	. Seal Washer 12
68	22287-120000	. Washer 12
69	22372-040000	. Snap Pin 4
70	23887-100002	. Plug 10
71	24341-000280	. O-ring 1a S-28.0
72	26106-060102	. Bolt M 6x 10 Plated
73	26106-060102	. Bolt M 6x 10 Plated
74	26106-060102	. Bolt M 6x 10 Plated
75	26106-060142	. Bolt M 6x 14 Plated
76	26106-060202	. Bolt M 6x 20 Plated
77	26736-120002	. Nut M12
78	26756-060002	. Lock Nut 6
79	26776-120002	. Lock Nut M12 Plated
80	129100-61440	. Lever, Control
81	120323-61470	. Bolt, Control
82	129100-61650	. Spring, Fuel Control
83	171353-61700	. Spring
84	129209-61930	. Cap Nut
85	129209-61970	. Plate
86	119600-66720	. Angleich Assy
118	119653-77950	. Solenoid, Stop
119	23414-120016	. Gasket 12
120	26366-080002	. Nut M 8
122	129209-61940	Case Assy

Y00V7B10  
 3TNE88-ECR

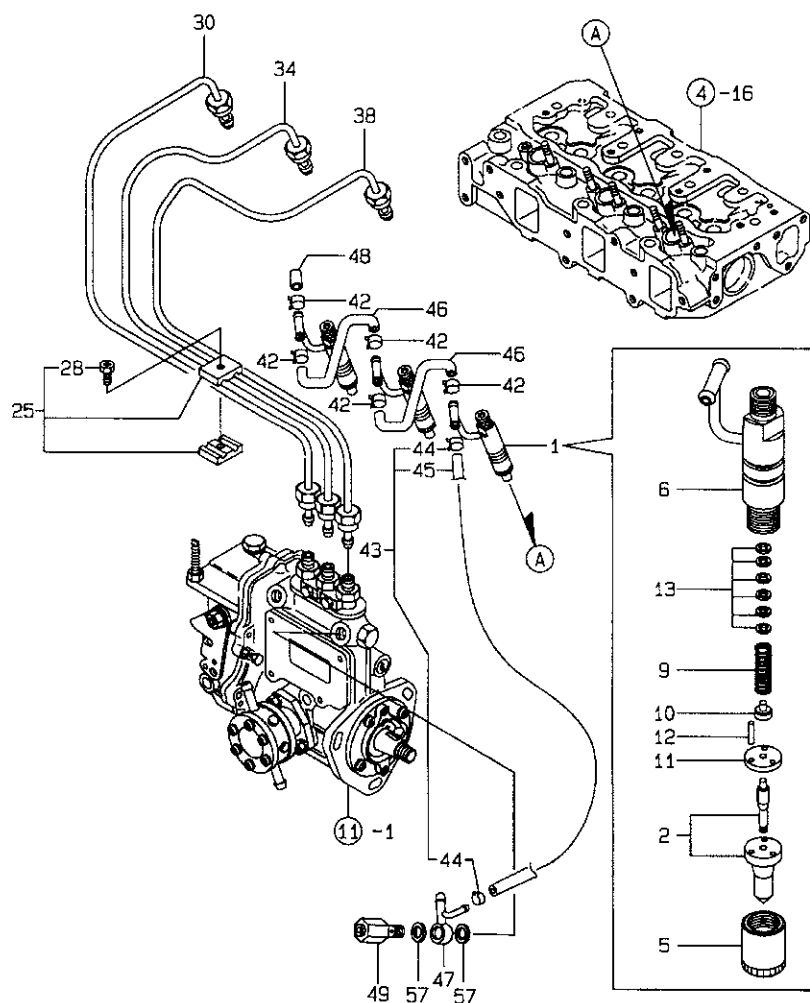
12. GOVERNOR

N. Rif.	Codice Ricambio	Descrizione
124	24311-000150	. O-ring 1a P-15.0



Y00V7B10  
 3TNE88-ECR

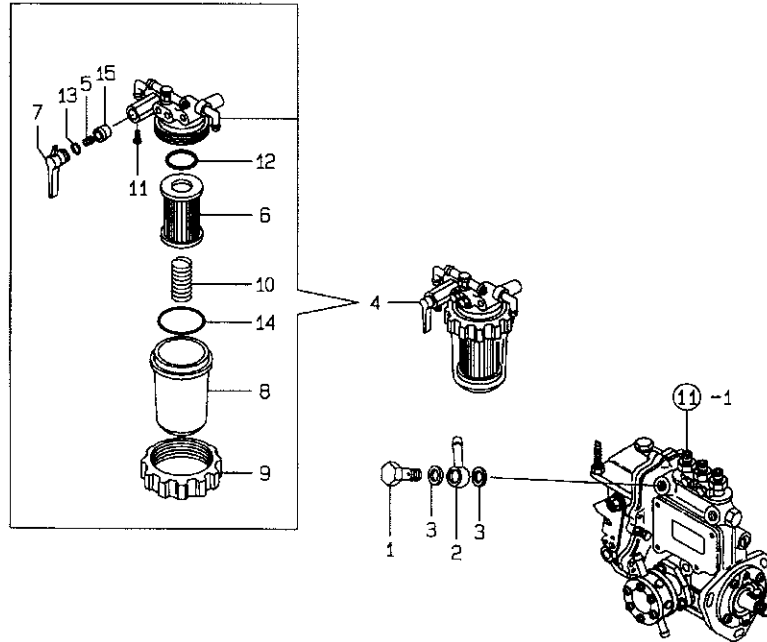
13.FUEL INJECTION VALVE



N. Rif.	Codice Ricambio	Descrizione
1	729209-53100	Valve Assy, F.inject
2	129209-53000	• . Nozzle Assy
5	114250-53080	• . Nut, Nozzle Case
6	129100-53100	• . Holder Assy, Nozzle
9	114250-53120	• . Spring, Nozzle
10	114250-53130	• . Seat, Nozzle Spring
11	114250-53140	• . Plate, Stop
12	114250-53210	• . Pin
13	114250-53400	• . Shim Pack
25	119305-59120	Retainer
28	129150-59131	• . Bolt M4x14,hex.sckt.
30	129052-59810	Pipe, Fuel Injection
34	129052-59820	Pipe, Fuel Injection
38	129052-59830	Pipe, Fuel Injection
42	124066-59100	Clamp 8
43	119840-59500	Pipe Assy, Return
44	124066-59100	• . Clamp 8
45	119840-59560	• . Pipe, Fuel Return
46	121250-59550	Pipe, Fuel
47	119840-59570	Joint
48	129150-59580	Cap
49	129100-59951	Valve Assy, Check
57	22190-120002	Seal Washer 12

Y00V7810  
 3TNE88-ECR

14.FUEL LINE

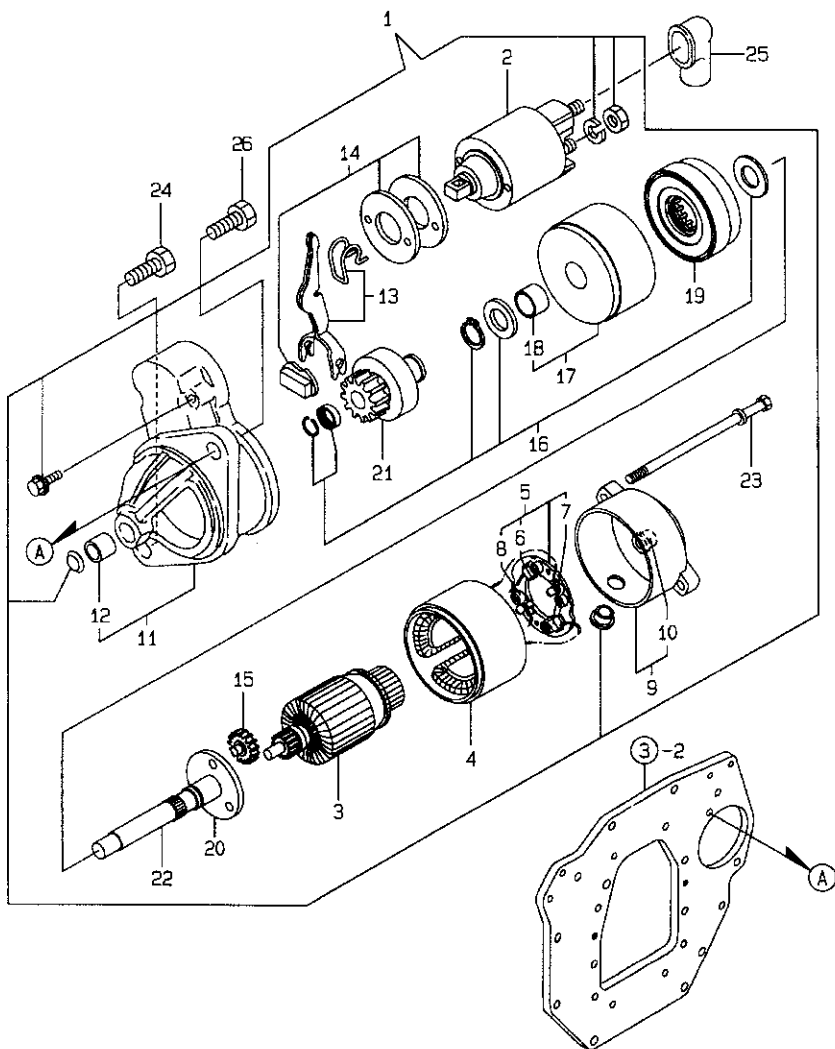


N. Rif.	Codice Ricambio	Descrizione
1	103854-39140	Bolt, Pipe Joint
2	101304-59020	Joint 12, Pipe
3	22190-120002	Seal Washer 12
4	129052-55620	Strainer Assy, Fuel
5	104200-55330	• Spring, Taper Valve
6	129100-55650	• Element, Fuel
7	129100-55670	• Lever
8	129100-55680	• Cup, Strainer
9	129100-55690	• Ring, Retaining
10	129100-55700	• Spring
11	104200-55750	• Screw M 4
12	24311-000160	• O-ring 1a P-16.0
13	24311-240100	• O-ring 1a P-10a
14	24321-000650	• O-ring 1a G-65.0
15	104200-55321	• Valve, Taper



Y00V7B10  
 3TNE88-ECR

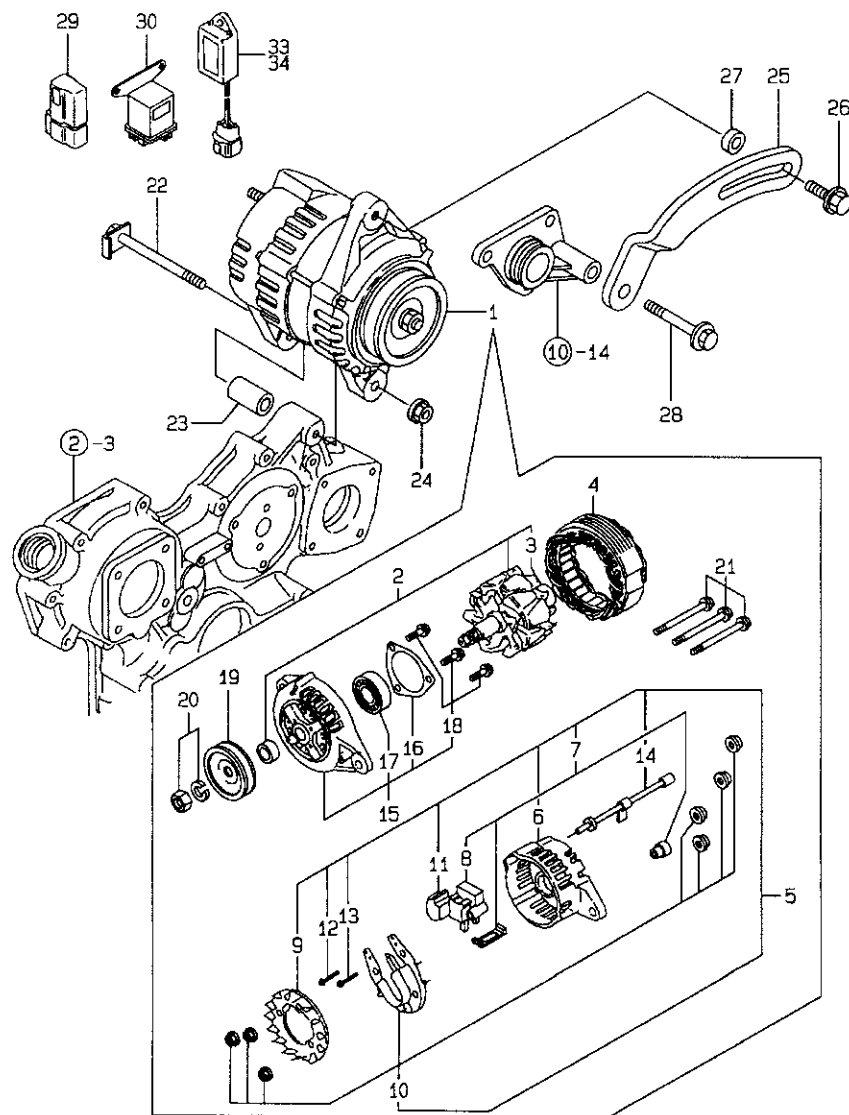
15. STARTING MOTOR



N. Rif.	Codice Ricambio	Descrizione
1	129608-77010	Starting Motor
2	129698-77020	• . Magnetic Switch Assy
3	129698-77101	• . Armature Assy
4	129608-77110	• . Yoke Assy
5	129698-77120	• . Holder Assy,brush
6	129698-77140	• . Brush(+) Set
7	129698-77130	• . Brush (-)
8	129698-77150	• . Spring, Brush
9	129698-77161	• . Cover Assy, Rear
10	129698-77170	• . Rear Cover Metal
11	129698-77260	• . Housing Assy, Gears
12	X2114535200	• . Metal, Starter
13	129698-77270	• . Lever, Shift
14	129698-77280	• . Cover Assy, Dust
15	129698-77240	• . Gear
16	129698-77250	• . Washer Set
17	129698-77180	• . Bracket
18	129698-77190	• . Bracket
19	129698-77200	• . Internal Gear
20	129698-77210	• . Bracket
21	129698-77220	• . Pinion Assy
22	129698-77230	• . Shaft(pinion
23	124195-77770	• . Through Bolt
24	26116-120202	Bolt M12x 20 Plated
25	124550-77030	Cover, Terminal
26	129155-77060	Bolt, Starter

Y00V7B10  
 3TNE88-ECR

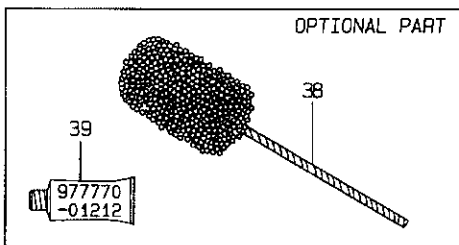
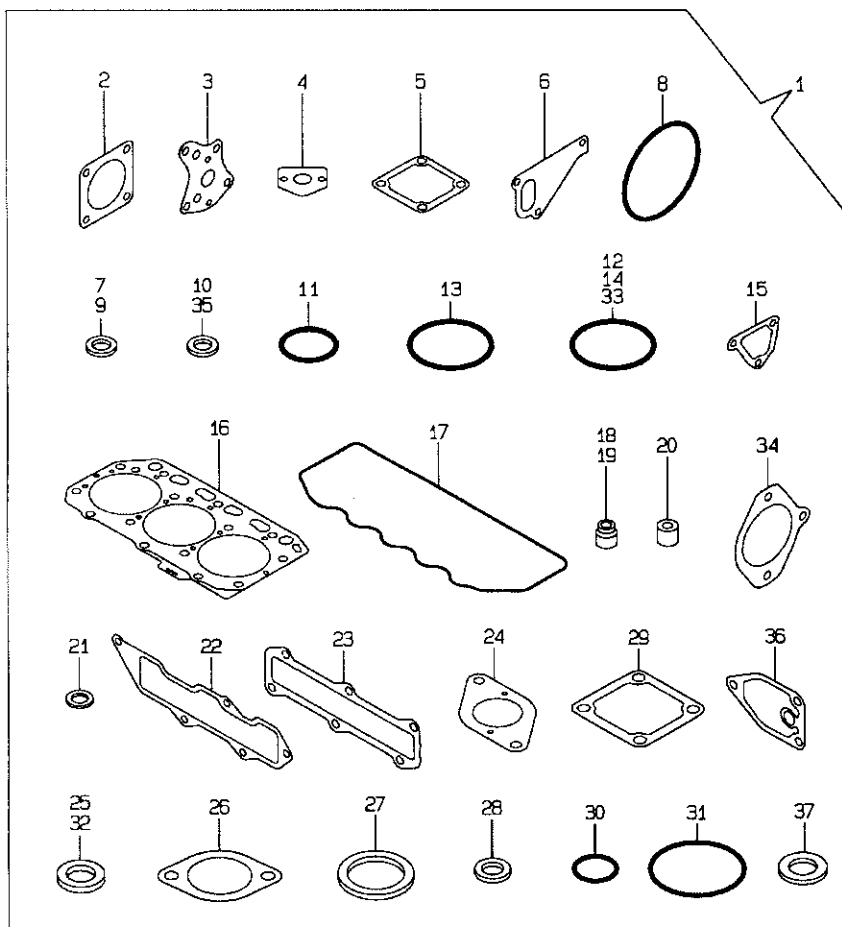
16. GENERATOR



N. Rif.	Codice Ricambio	Descrizione
1	119836-77200	Generator
2	119836-77700	• Rotor Assy
3	119836-77850	•• Ball Bearing
4	119836-77710	• Stator Assy
5	119836-77721	• Cover Assy, Rear
6	119836-77730	•• Cover, Rear
7	119836-77741	•• Brush Assy,regulator
8	119836-77750	••• Brush Assy
9	119836-77760	•• Guide, Fan Side
10	119836-77770	•• Diode Assy
11	119836-77780	•• Condenser
12	119836-77871	•• Bolt (1)
13	119836-77880	•• Bolt (2)
14	119836-77890	•• Wire Assy, Lead
15	119836-77790	• Cover Assy, Front
16	119836-77800	•• Retainer, Bearing
17	119836-77840	•• Ball Bearing
18	119836-77860	•• Screw Kid
19	119836-77810	• Pulley
20	119836-77820	• Nut Assy, Pulley
21	119836-77830	• Bolt, Through
22	129136-77251	Bolt M 8x110
23	119820-77340	Spacer
24	129612-77260	Nut generator
25	129051-77330	Adjuster, Belt
26	119810-77340	Bolt
27	106500-44810	Spacer
28	26106-080502	Bolt M 8x 50 Plated
29	119643-66900	Diode
30	119650-77910	Relay, Grow
33	128300-77920	Timer
34	129211-77920	Timer

Y00V7810  
 3TNE88-ECR

17. GASKET SET



N. Rif.	Codice Ricambio	Descrizione
1	729030-92770	Gasket Set(non-asb.)
2	124240-01883	. Gasket, (non-asb.)
3	129150-32020	. Gasket, L.o. Pump
4	129150-35041	. Gasket, (non-asb.)
5	129100-77510	. Gasket, Air Heater
6	129486-42021	. Gasket
7	22190-080003	. Seal Waser 8
8	121850-51960	. O-ring, F.i.pump
9	22190-080002	. Seal Washer 8s
10	22190-100002	. Seal Washer 10s
11	24311-000160	. O-ring 1a P-16.0
12	24341-000500	. O-ring 1a S-50.0
13	24341-000240	. O-ring 1a S-24.0
14	24311-000320	. O-ring 1a P-32.0
15	124395-49840	. Gasket, Thermo. Case
16	129001-01340	. Gasket, (non-asb.)
17	129150-11310	. Gasket, Bonnet
18	121400-11340	. Seal, Valve Stem
19	124460-11340	. Seal, Valve Stem
20	119625-11870	. Protector, Nozzle
21	119625-11880	. Seat, Nozzle
22	129001-12110	. Gasket,int. Manifold
23	129001-13110	. Gasket, Exh.manifold
24	129107-13540	. Packing,silencer Gsk
25	124465-44950	. Gasket 16
26	129795-49551	. Gasket, (non-asb.)
27	129150-49811	. Gasket, (non-asb.)
28	22190-120002	. Seal Washer 12
29	129150-77511	. Gasket, (non-asb.)
30	24311-000120	. O-ring 1a P 12.0
31	129486-42140	. O-ring,cw-p
32	22190-160002	. Seal Washer 16s
33	24321-000850	. O-ring 1a G-85.0
34	171353-26081	. Gasket,ho-p Bracket
35	129150-49360	. Gasket 10
36	129150-35111	. Gasket, (non-asb.)
37	129155-52050	. Gasket
38	129400-92420	Flex Horn
39	977770-01212	Gasket, Liquid