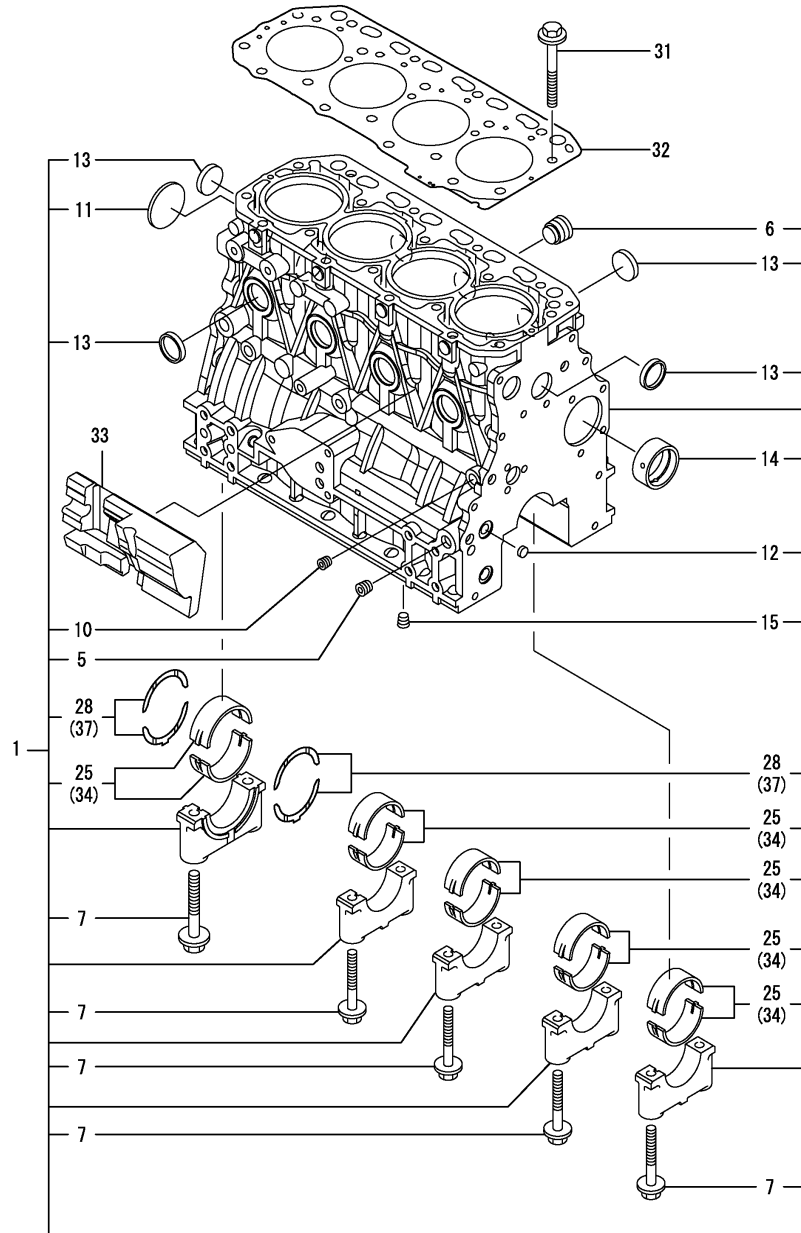


Fig.1.CYLINDER BLOCK

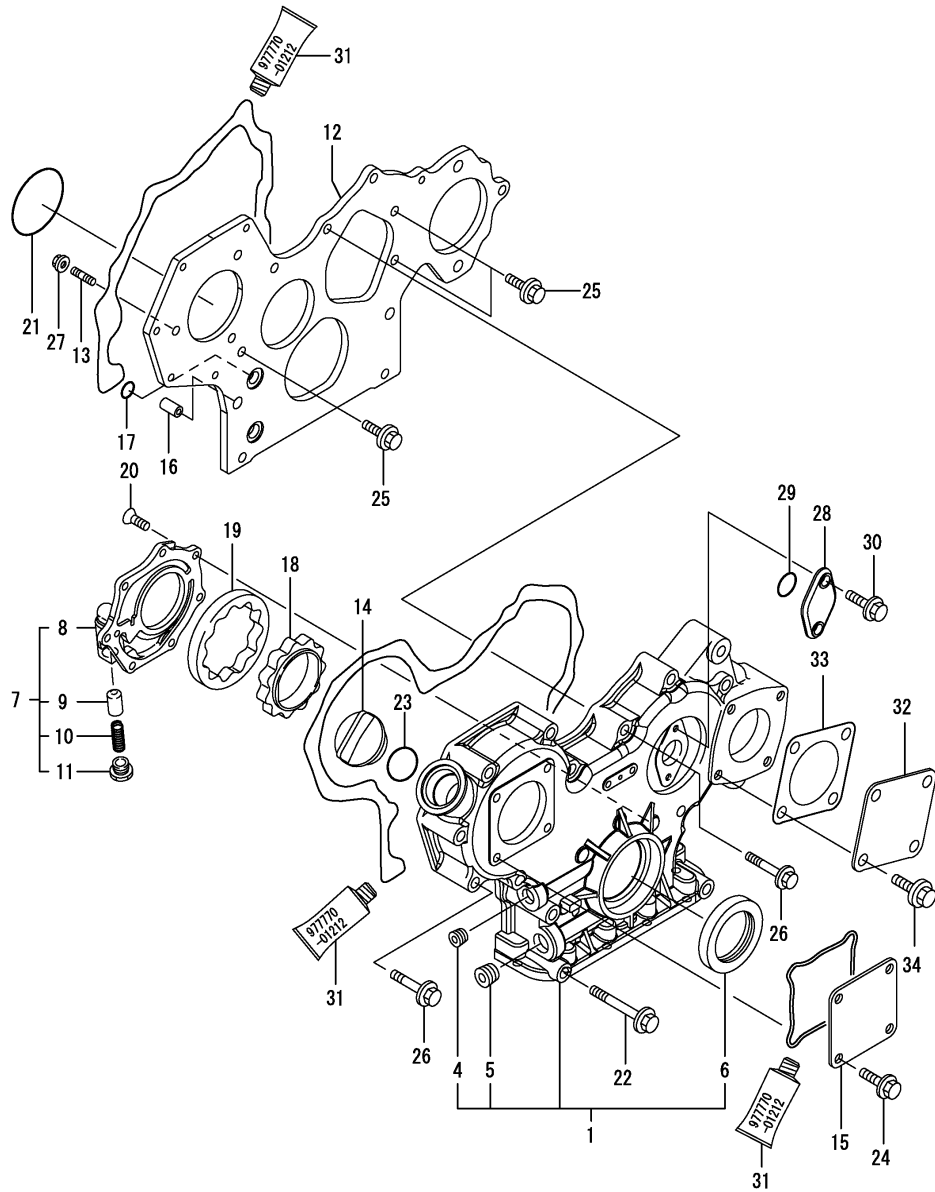
(A)=4TNV84T-DSA (D)=4TNV84T-GGE
 (B)=4TNV84T-DSA2 (E)=
 (C)=4TNV84T-DSA3 (F)=



REF.	LEV.	PARTS NO.	DESCRIPTION	QTY						I	R
				(A)	(B)	(C)	(D)	(E)	(F)		
1	1	729508-01560	BLOCK ASSY, CYLINDER	1	1	1	1				
5	2	124160-01910	PLUG PT1/4	2	2	2	2				
6	2	171051-01921	PLUG	1	1	1	1				
7	2	129150-02020	BOLT, METAL CAP	10	10	10	10				
10	2	124060-01050	PLUG PT1/8	1	1	1	1				
11	2	129001-01250	PLUG 50	1	1	1	1				
12	2	27241-120000	PLUG 12	2	2	2	2				
13	2	27241-300000	PLUG 30	8	8	8	8				
14	2	129795-02411	BUSH, CAMSHAFT	1	1	1	1				
15	2	124160-01910	PLUG PT1/4	1	1	1	1				
25	2	129001-02930	MAIN BEARING SET	5	5	5	5				3
28	2	129150-02930	METAL, THRUST	2	2	2	2				
31	1	129150-01200	STUD, CYL. HEAD	18	18	18	18				
32	1	129508-01330	GASKET, HEAD	1	1	1	1				
33	1	129004-01190	SPACER	1	1	1	1				
34	1	129150-02870	MAIN METAL US=0.25	5	5	5	5				1
37	1	129150-02940	METAL, THRUST.25(2PIE	1	1	1	1				2

Remarks
 (1) UNDER-SIZE(U.S=0.25)PART.
 (2) OVER-SIZE(O.S=0.25)PART.
 (3) REPAIR PART.

FIG.2.GEAR HOUSING



Y00R5650 2.GEAR HOUSING

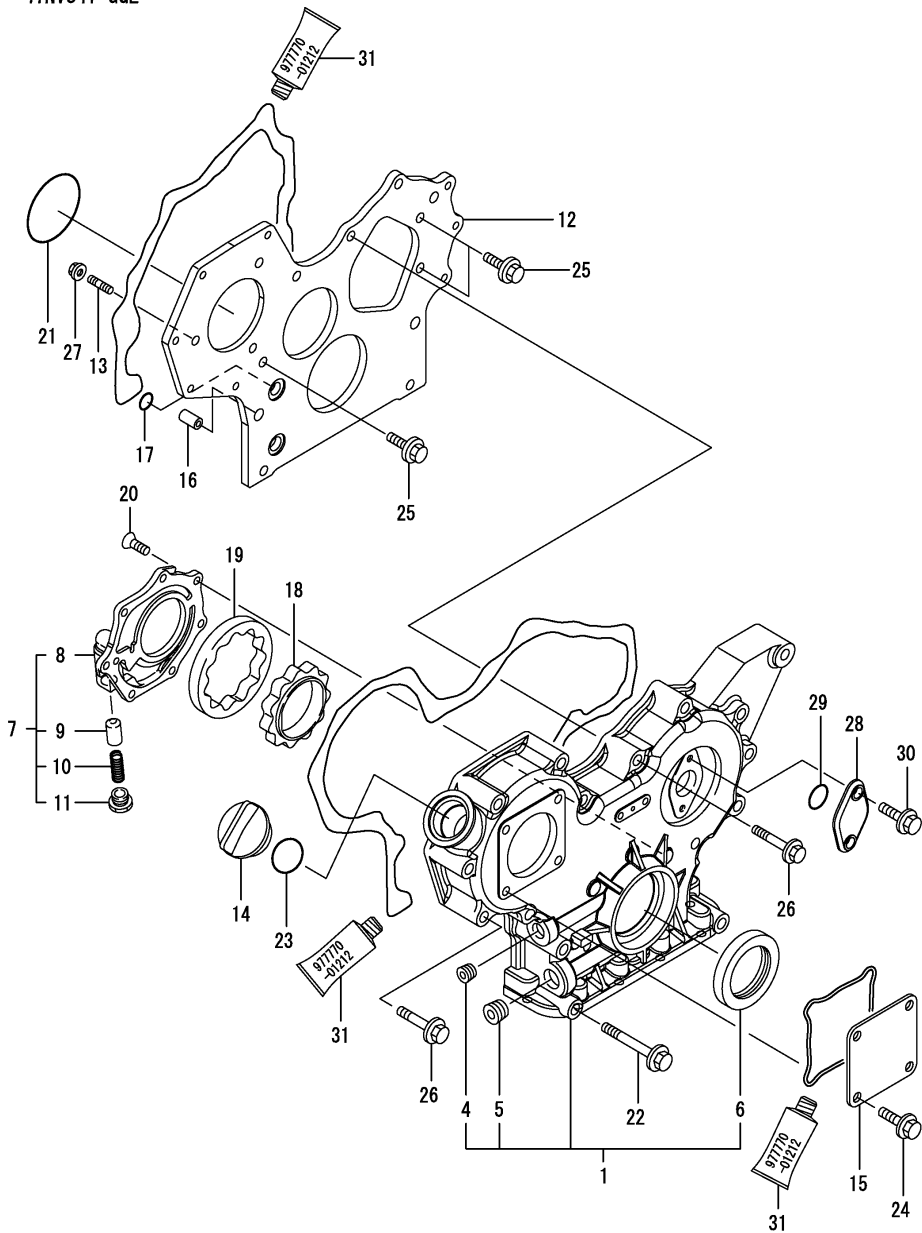
(A)=4TNV84T-DSA (D)=4TNV84T-GGE
 (B)=4TNV84T-DSA2 (E)=
 (C)=4TNV84T-DSA3 (F)=

REF.	LEV.	PARTS NO.	DESCRIPTION	QTY						I	R
				(A)	(B)	(C)	(D)	(E)	(F)		
1	1	729508-01520	GEAR CASE ASSY	1	1	1					
4	2	23876-030000	PLUG PT3/8,SCREW	1	1	1					
5	2	23876-040000	PLUG PT 1/2	1	1	1					
6	2	129795-01800	SEAL, OIL	1	1	1					
7	1	119802-32100	COVER ASSY, PUMP	1	1	1					
8	2	119802-32070	COVER, LUB.OIL PUMP	1	1	1					
9	2	129900-32130	VALVE, RELIEF	1	1	1					
10	2	129418-32320	SPRING	1	1	1					
11	2	129001-32330	PLUG	1	1	1					
12	1	129005-01520	FLANGE, GEAR CASE	1	1	1					
13	1	119802-01560	STUD, M8X25	3	3	3					
14	1	124160-01751	COVER,FILLER	1	1	1					
15	1	124240-01871	COVER, HO-P	1	1	1					
16	1	129795-01950	PIPE, KNOCK L=18	2	2	2					
17	1	119609-32040	O-RING P16	4	4	4					
18	1	129508-32111	ROTOR, INNER	1	1	1					
19	1	129508-32120	ROTOR, OUTER	1	1	1					
20	1	119802-32130	SCREW, M6X16	7	7	7					
21	1	121850-51960	O-RING, F.I.PUMP	1	1	1					
22	1	129001-91841	BOLT, M8X85	3	3	3					
23	1	24311-000320	O-RING 1A P-32.0	1	1	1					
24	1	26106-080162	BOLT M 8X 16 PLATED	4	4	4					
25	1	26106-080162	BOLT M 8X 16 PLATED	3	3	3					
26	1	26106-080552	BOLT M 8X 55 PLATED	11	11	11					
27	1	26306-080002	NUT	3	3	3					
28	1	121023-01550	COVER, BLIND	1	1	1					
29	1	24341-000240	O-RING 1A S-24.0	1	1	1					
30	1	26106-060162	BOLT M 6X 16 PLATED	2	2	2					
31	1	977770-01212	GASKET, LIQUID	1	1	1					1
32	1	124240-01871	COVER, HO-P	1	1	1					
33	1	124240-01883	GASKET, (NON-ASB.)	1	1	1					
34	1	26106-080162	BOLT M 8X 16 PLATED	4	4	4					

Remarks
 (1) OPTIONAL PART.

Fig.3.GEAR HOUSING

4TNV84T-GGE



Y00R5650 3.GEAR HOUSING

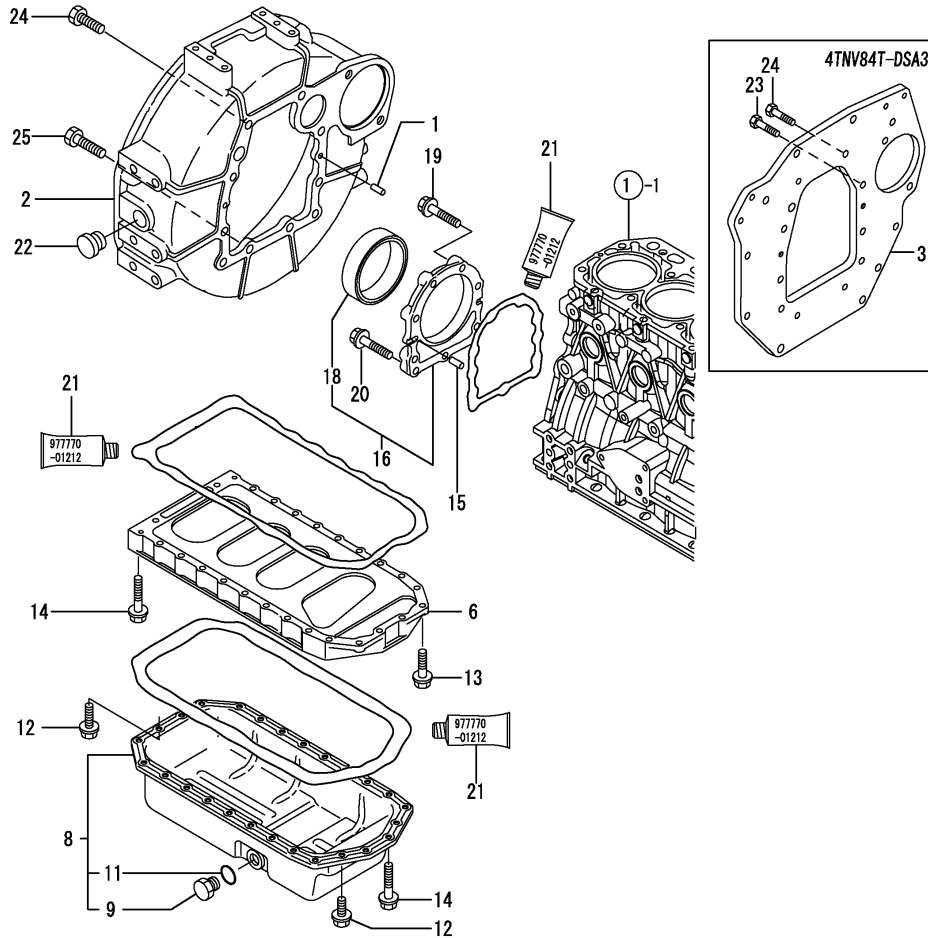
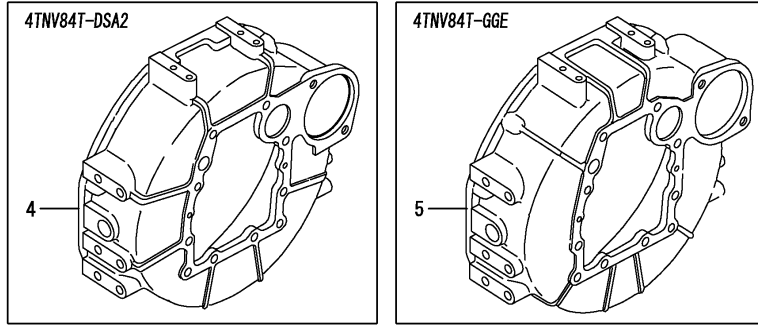
(A)=4TNV84T-DSA (D)=4TNV84T-GGE
 (B)=4TNV84T-DSA2 (E)=
 (C)=4TNV84T-DSA3 (F)=

REF.	LEV.	PARTS NO.	DESCRIPTION	QTY						I	R	
				(A)	(B)	(C)	(D)	(E)	(F)			
1	1	729508-01500	GEAR CASE ASSY				1					
4	2	23876-030000	PLUG PT3/8,SCREW				1					
5	2	23876-040000	PLUG PT 1/2				1					
6	2	129795-01800	SEAL, OIL				1					
7	1	119802-32100	COVER ASSY, PUMP				1					
8	2	119802-32070	COVER, LUB.OIL PUMP				1					
9	2	129900-32130	VALVE, RELIEF				1					
10	2	129418-32320	SPRING				1					
11	2	129001-32330	PLUG				1					
12	1	119802-01520	FRANGE, GEAR CASE				1					
13	1	119802-01560	STUD, M8X25				3					
14	1	124160-01751	COVER,FILLER				1					
15	1	124240-01871	COVER, HO-P				1					
16	1	129795-01950	PIPE, KNOCK L=18				2					
17	1	119609-32040	O-RING P16				4					
18	1	129508-32111	ROTOR, INNER				1					
19	1	129508-32120	ROTOR, OUTER				1					
20	1	119802-32130	SCREW, M6X16				7					
21	1	121850-51960	O-RING, F.I.PUMP				1					
22	1	129001-91841	BOLT, M8X85				3					
23	1	24311-000320	O-RING 1A P-32.0				1					
24	1	26106-080162	BOLT M 8X 16 PLATED				4					
25	1	26106-080162	BOLT M 8X 16 PLATED				3					
26	1	26106-080552	BOLT M 8X 55 PLATED				12					
27	1	26306-080002	NUT				3					
28	1	121023-01550	COVER, BLIND				1					
29	1	24341-000240	O-RING 1A S-24.0				1					
30	1	26106-060162	BOLT M 6X 16 PLATED				2					
31	1	977770-01212	GASKET, LIQUID				1					1

Remarks
 (1) OPTIONAL PART.

FIG.4.FLYWHEEL HOUSING & OIL SUMP

(A)=4TNV84T-DSA (D)=4TNV84T-GGE
 (B)=4TNV84T-DSA2 (E)=
 (C)=4TNV84T-DSA3 (F)=

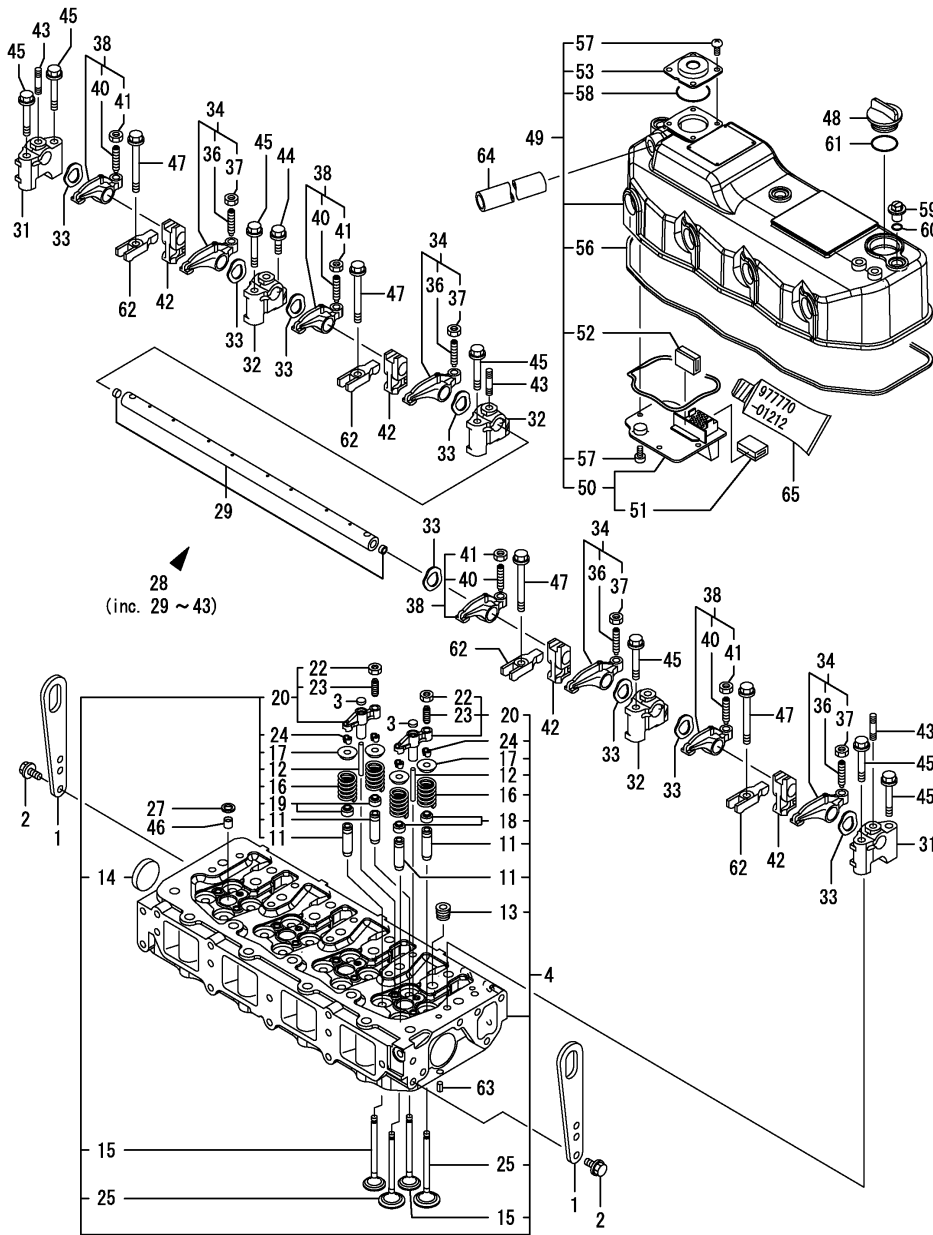


REF.	LEV.	PARTS NO.	DESCRIPTION	QTY						I	R
				(A)	(B)	(C)	(D)	(E)	(F)		
1	1	129100-01580	PARALLEL PIN 8X16	2	2	2	2				
2	1	119888-01600	HOUSING, FLYWHEEL	1							
3	1	129129-01600	FLANGE, MOUNTING			1					
4	1	129612-01600	HOUSING, FLYWHEEL		1						
5	1	171420-01600	HOUSING, FLYWHEEL						1		
6	1	129400-01730	SPACER, OIL SUMP	1	1	1	1				
8	1	129400-01770	SUMP ASSY, LUB. OIL	1	1	1	1				
9	2	119640-01640	DRAIN PLUG M22	1	1	1	1				
11	2	22190-220002	SEAL WASHER 22S	1	1	1	1				
12	1	26106-080162	BOLT M 8X 16 PLATED	4	4	4	4				
13	1	26106-080252	BOLT M 8X 25 PLATED	2	2	2	2				
14	1	26106-080452	BOLT M 8X 45 PLATED	24	24	24	24				
15	1	129100-01580	PARALLEL PIN 8X16	2	2	2	2				
16	1	129100-01640	CASE ASSY, OIL SEAL	1	1	1	1				
18	2	129795-01780	SEAL OIL	1	1	1	1				
19	1	129486-01670	BOLT M8X30, COLLAR HD	6	6	6	6				
20	1	26106-080352	BOLT M 8X 35 PLATED	3	3	3	3				
21	1	977770-01212	GASKET, LIQUID	1	1	1	1				1
22	1	119620-01750	CAP, FLYWHEEL COVER	1	1		1				
23	1	26206-100202	BOLT M10X20			6					
24	1	26206-100252	BOLT M10X25	6	6	2	6				
25	1	26206-100302	BOLT M10X30	4	4		4				

Remarks
 (1) OPTIONAL PART.

Fig.5.CYLINDER HEAD & BONNET

(A)=4TNV84T-DSA (D)=4TNV84T-GGE
 (B)=4TNV84T-DSA2 (E)=
 (C)=4TNV84T-DSA3 (F)=

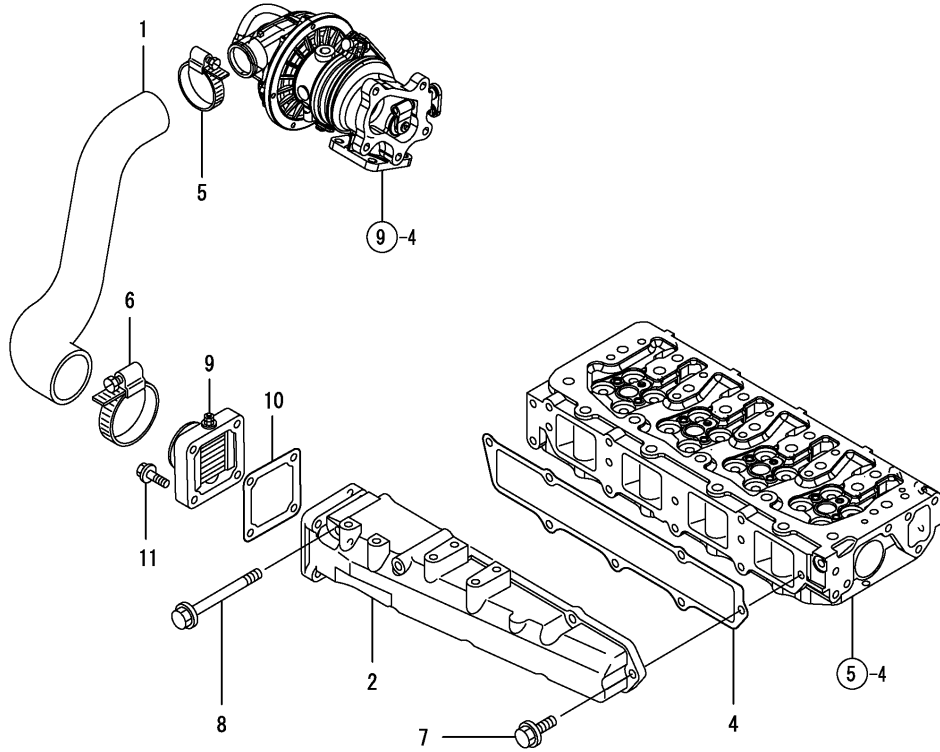


REF.	LEV.	PARTS NO.	DESCRIPTION	QTY						I	R
				(A)	(B)	(C)	(D)	(E)	(F)		
1	1	129900-07900	LIFTER, ENGINE	2	2	2	2				
2	1	26106-080142	BOLT M 8X 14 PLATED	4	4	4	4				
3	1	129508-11840	SEAT A,VALVE BRIDGE	8	8	8	8				
4	1	129508-11700	HED ASSY, CYLINDER	1	1	1	1				
11	2	119717-11800	GUIDE, VALVE	16	16	16	16				1
12	2	129508-11820	GUIDE,VALVE BRIDGE	8	8	8	8				
13	2	23876-020000	PLUG PT1/4,SCREW	4	4	4	4				
14	2	27241-400000	PLUG 40	2	2	2	2				
15	2	129508-11110	VALVE, EXHAUST	8	8	8	8				
16	2	129508-11130	SPRING, VALVE	16	16	16	16				
17	2	129508-11180	RETAINER, SPRING	16	16	16	16				
18	2	119717-11340	SEAL, VALVE STEM	8	8	8	8				
19	2	119717-11350	SEAL, VALVE STEM	8	8	8	8				
20	2	129508-11800	BRIDGE ASSY,VALVE	8	8	8	8				
22	3	129150-11750	NUT M8XP1.0	8	8	8	8				
23	3	123907-11830	SCRWE,VALVE BRIDGE	8	8	8	8				
24	2	119717-11190	COTTER, VALVE	32	32	32	32				
25	2	129508-11100	VALVE, INTAKE	8	8	8	8				
27	1	119625-11880	SEAT, NOZZLE	4	4	4	4				
28	1	129508-11241	SHAFT ASSY, ROCKER	1	1	1	1				
29	2	129508-11250	SHAFT	1	1	1	1				
31	2	129508-11260	SUPPORT, ROCKER ARM	2	2	2	2				
32	2	129508-11270	SUPPORT, ROCKER ARM	3	3	3	3				
33	2	129508-11280	WASHER, WAVE M	8	8	8	8				
34	2	129508-11650	ARM ASSY, ROCKER	4	4	4	4				
36	3	129150-11230	SCREW, VALVE	4	4	4	4				
37	3	129150-11750	NUT M8XP1.0	4	4	4	4				
38	2	129508-11660	ARM ASSY, ROCKER	4	4	4	4				
40	3	129150-11230	SCREW, VALVE	4	4	4	4				
41	3	129150-11750	NUT M8XP1.0	4	4	4	4				
42	2	129508-11920	PEDESTAL,RETAINER	4	4	4	4				
43	2	26226-080352	STUD M 8X 35 PLATED	3	3	3	3				
44	1	26106-080252	BOLT M 8X 25 PLATED	3	3	3	3				
45	1	26106-080502	BOLT M 8X 50 PLATED	7	7	7	7				
46	1	119802-11870	PROTECTOR, NOZZLE	4	4	4	4				
47	1	129907-11950	FLANGE BOLT,RETAINER	4	4	4	4				
48	1	124160-01751	COVER,FILLER	1	1	1	1				
49	1	129508-11350	BONNET ASSY	1	1	1	1				
50	2	129508-03010	PLATE, BAFFLE	1	1	1	1				
51	3	119802-03070	BAFFLE, BREATHER	1	1	1	1				
52	2	129150-03070	BAFFLE, BREATHER	1	1	1	1				
53	2	129006-03120	COVER, DIAPHRAGM	1	1	1	1				
56	2	129508-11310	PK,BONNET	1	1	1	1				
57	2	22857-500100	SCREW 5X10,TAPPING	8	8	8	8				
58	2	24341-000400	O-RING 1A S-40.0	1	1	1	1				
59	1	124160-11360	KNOB	3	3	3	3				
60	1	24311-000120	O-RING 1A P 12.0	3	3	3	3				
61	1	24311-000320	O-RING 1A P-32.0	1	1	1	1				
62	1	129508-11900	RETAINER,F.I.VALVE	4	4	4	4				
63	1	22351-060012	SPRING PIN 6X12	2	2	2	2				
64	1	129150-03090	PIPE	1	1	1	1				
65	1	977770-01212	GASKET, LIQUID	1	1	1	1				2

Remarks
 (1) REPAIR PART.
 (2) OPTIONAL PART.

Fig.6.SUCTION MANIFOLD

(A)=4TNV84T-DSA (D)=4TNV84T-GGE
 (B)=4TNV84T-DSA2 (E)=
 (C)=4TNV84T-DSA3 (F)=



REF.	LEV.	PARTS NO.	DESCRIPTION	QTY						I	R
				(A)	(B)	(C)	(D)	(E)	(F)		
1	1	129508-12060	HOSE,INTAKE	1	1	1	1				
2	1	129508-12100	MANIFOLD, INTAKE	1	1	1	1				
4	1	129508-12110	GASKET, MAFIFOLD	1	1	1	1				
5	1	23000-048000	CLAMP 48	1	1	1	1				
6	1	23000-060000	CLAMP 60	1	1	1	1				
7	1	26106-080202	BOLT M 8X 20 PLATED	5	5	5	5				
8	1	26106-080802	BOLT M 8X 80 PLATED	2	2	2	2				
9	1	129120-77501	HEATER, AIR	1	1	1	1				
10	1	129150-77511	GASKET, (NON-ASB.)	1	1	1	1				
11	1	26106-080352	BOLT M 8X 35 PLATED	4	4	4	4				

Fig.7.EXHAUST MANIFOLD

Y00R5650 7.EXHAUST MANIFOLD

(A)=4TNV84T-DSA (D)=4TNV84T-GGE
 (B)=4TNV84T-DSA2 (E)=
 (C)=4TNV84T-DSA3 (F)=

REF.	LEV.	PARTS NO.	DESCRIPTION	QTY						I	R
				(A)	(B)	(C)	(D)	(E)	(F)		
1	1	129550-13110	GASKET, EXH.MANIFOLD	1	1	1	1				
2	1	129403-13120	MANIFOLD, EXHAUST	1	1	1	1				
3	1	119131-18320	BOLT M 8X 22	4	4	4	4				
4	1	119802-13650	BOLT, M8X65	3	3	3	3				
5	1	119802-13670	BOLT M 8X 85 PLATED	1	1	1	1				
6	1	129693-44310	BOLT(CFW COOLER	4	4	4	4				

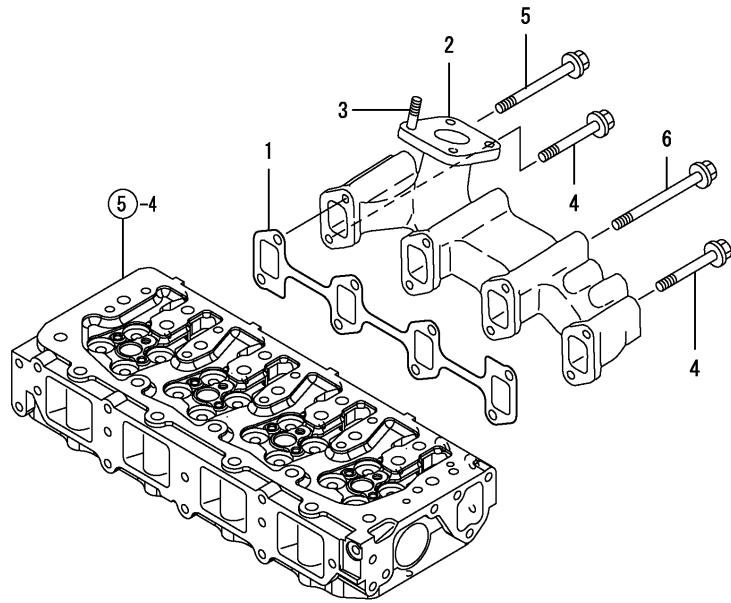
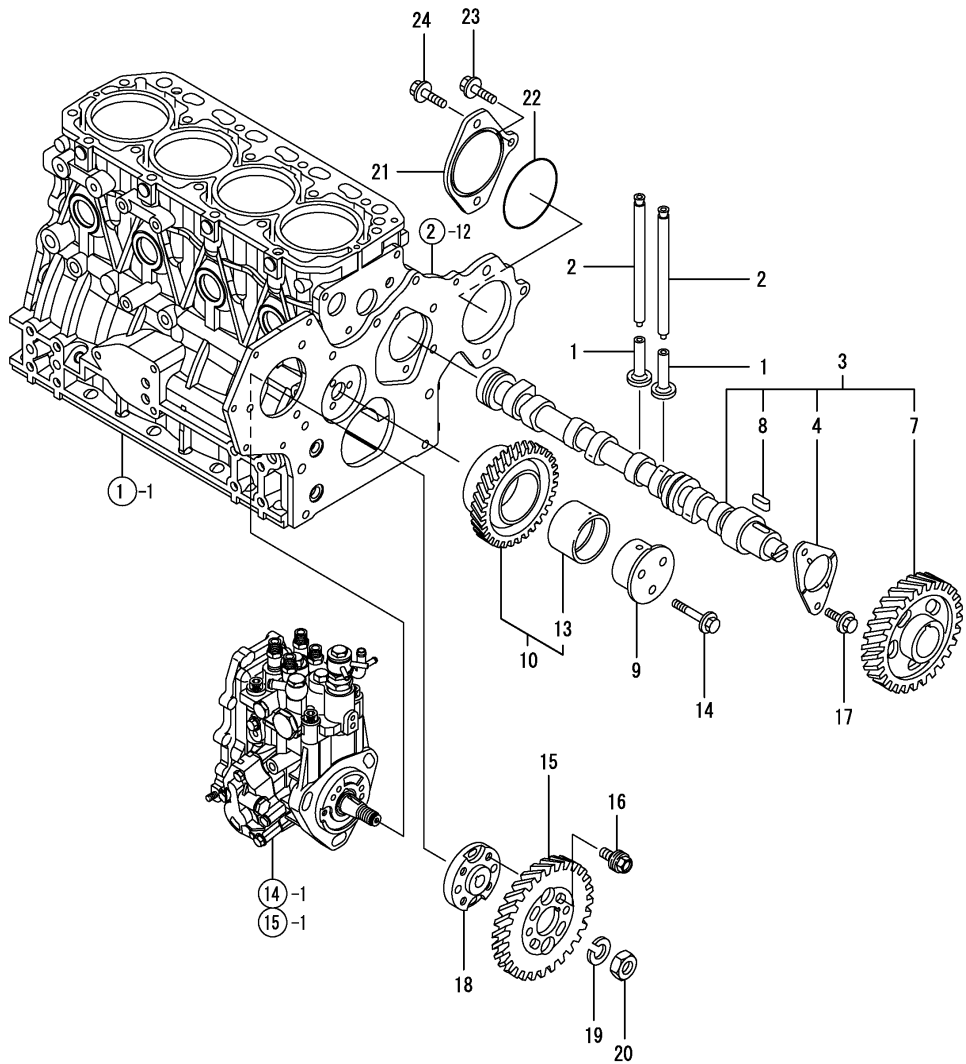


Fig.8.CAMSHAFT & DRIVING GEAR

(A)=4TNV84T-DSA (D)=4TNV84T-GGE
 (B)=4TNV84T-DSA2 (E)=
 (C)=4TNV84T-DSA3 (F)=



REF.	LEV.	PARTS NO.	DESCRIPTION	QTY						I	R
				(A)	(B)	(C)	(D)	(E)	(F)		
1	1	129150-14200	TAPPET	8	8	8	8				
2	1	129150-14400	ROD, PUSH	8	8	8	8				
3	1	129508-14580	CAMSHAFT ASSY	1	1	1	1				
4	2	129150-02450	METAL,THRUST(CAM	1	1	1	1				
7	2	129150-14101	GEAR, CAMSHAFT	1	1	1	1				
8	2	22512-070140	KEY 7X 14	1	1	1	1				
9	1	119802-25051	SHAFT, IDLE GEAR	1	1	1	1				
10	1	119802-25100	GEAR ASSY, IDLE	1	1	1	1				
13	2	119802-25070	BUSH, IDLE GEAR	1	1	1	1				1
14	1	26106-080402	BOLT M 8X 40 PLATED	3	3	3	3				
15	1	119802-25901	GEAR, PUMP	1	1	1	1				
16	1	129150-25301	BOLT,FI-P	4	4	4	4				
17	1	26106-080142	BOLT M 8X 14 PLATED	2	2	2	2				
18	1	158552-51151	FLANGE	1	1	1	1				
19	1	22217-140000	SPRING WASHER 14	1	1	1	1				
20	1	26776-140002	LOCK NUT M14 PLATED	1	1	1	1				
21	1	129430-26070	COVER	1	1	1	1				
22	1	24321-000800	O-RING 1A G-80.0	1	1	1	1				
23	1	26106-080252	BOLT M 8X 25 PLATED	1	1	1	1				
24	1	26106-100302	BOLT M10X 30 PLATED	2	2	2	2				

Remarks
 (1) REPAIR PART.

Fig.9.TURBINE

Y00R5650 9.TURBINE

(A)=4TNV84T-DSA (D)=4TNV84T-GGE
 (B)=4TNV84T-DSA2 (E)=
 (C)=4TNV84T-DSA3 (F)=

REF.	LEV.	PARTS NO.	DESCRIPTION	QTY						I	R
				(A)	(B)	(C)	(D)	(E)	(F)		
1	1	129508-18080	GASKET	1	1	1	1				
2	1	129418-18320	STUD BOLT M8X20	5	5	5	5				
3	1	26306-080002	NUT	5	5	5	5				
4	1	129508-18010	TURBINE, RHF4	1	1	1	1				
5	1	129508-18090	GASKET, TURBOCHARGER	1	1	1	1				

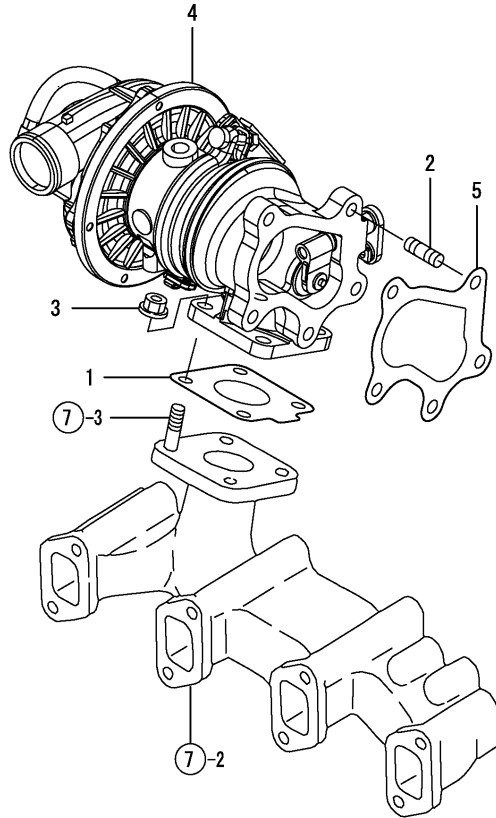
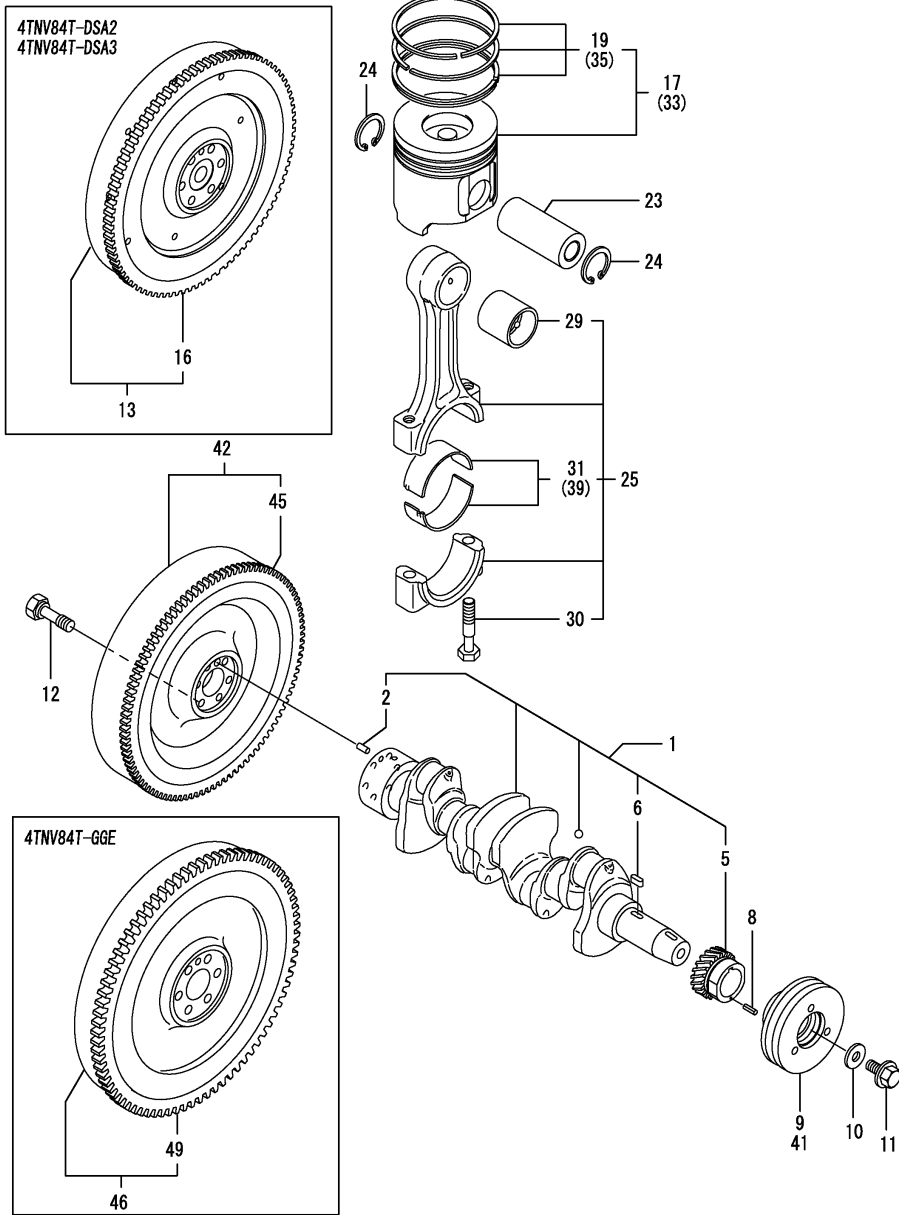


Fig.10.CRANKSHAFT & PISTON

(A)=4TNV84T-DSA (D)=4TNV84T-GGE
 (B)=4TNV84T-DSA2 (E)=
 (C)=4TNV84T-DSA3 (F)=



REF.	LEV.	PARTS NO.	DESCRIPTION	QTY						I	R
				(A)	(B)	(C)	(D)	(E)	(F)		
1	1	129508-21002	CRANKSHAFT ASSY	1	1	1	1				
2	2	129100-01580	PARALLEL PIN 8X16	1	1	1	1				
5	2	119802-21202	GEAR, CRANKSHAFT	1	1	1	1				
6	2	22512-070140	KEY 7X 14	1	1	1	1				
8	1	22351-030010	SPRING PIN 3X10	1	1	1	1				
9	1	119802-21650	V-PULLEY, CRANKSHAFT	1	1	1					
10	1	129795-21661	WASHER	1	1	1	1				
11	1	121850-21680	BOLT, V-PULLEY	1	1	1	1				
12	1	121111-21501	BOLT, FLYWHEEL	6	6	6	6				
13	1	171420-21580	FLYWHEEL ASSY		1	1					
16	2	119865-21600	GEAR, RING		1	1					
17	1	129508-22080	PISTON ASSY	4	4	4	4				
19	2	129004-22500	RING SET	4	4	4	4				
23	1	129202-22300	PIN, PISTON(D26,L70)	4	4	4	4				
24	1	22252-000260	CIRCLIP 26	8	8	8	8				
25	1	729402-23100	ROD ASSY, CONNECTING	4	4	4	4				
29	2	129100-23910	BUSH, PISTON PIN	4	4	4	4				1
30	2	121550-23200	BOLT, CONNECTING ROD	8	8	8	8				
31	2	129150-23600	BEARING, CRANKPIN	4	4	4	4				
33	1	129508-22900	PISTON W/RING OS=.25	4	4	4	4				2
35	2	129004-22950	RING SET O.S=0.25	4	4	4	4				2
39	1	129150-23610	METAL.PIN US=0.25	4	4	4	4				3
41	1	119802-21660	V-PULLEY, CRANKSHAFT				1				
42	1	129488-21590	FLYWHEEL ASSY	1							
45	2	119865-21600	GEAR, RING	1							
46	1	171420-21590	FLYWHEEL ASSY				1				
49	2	124550-21600	RING GEAR				1				

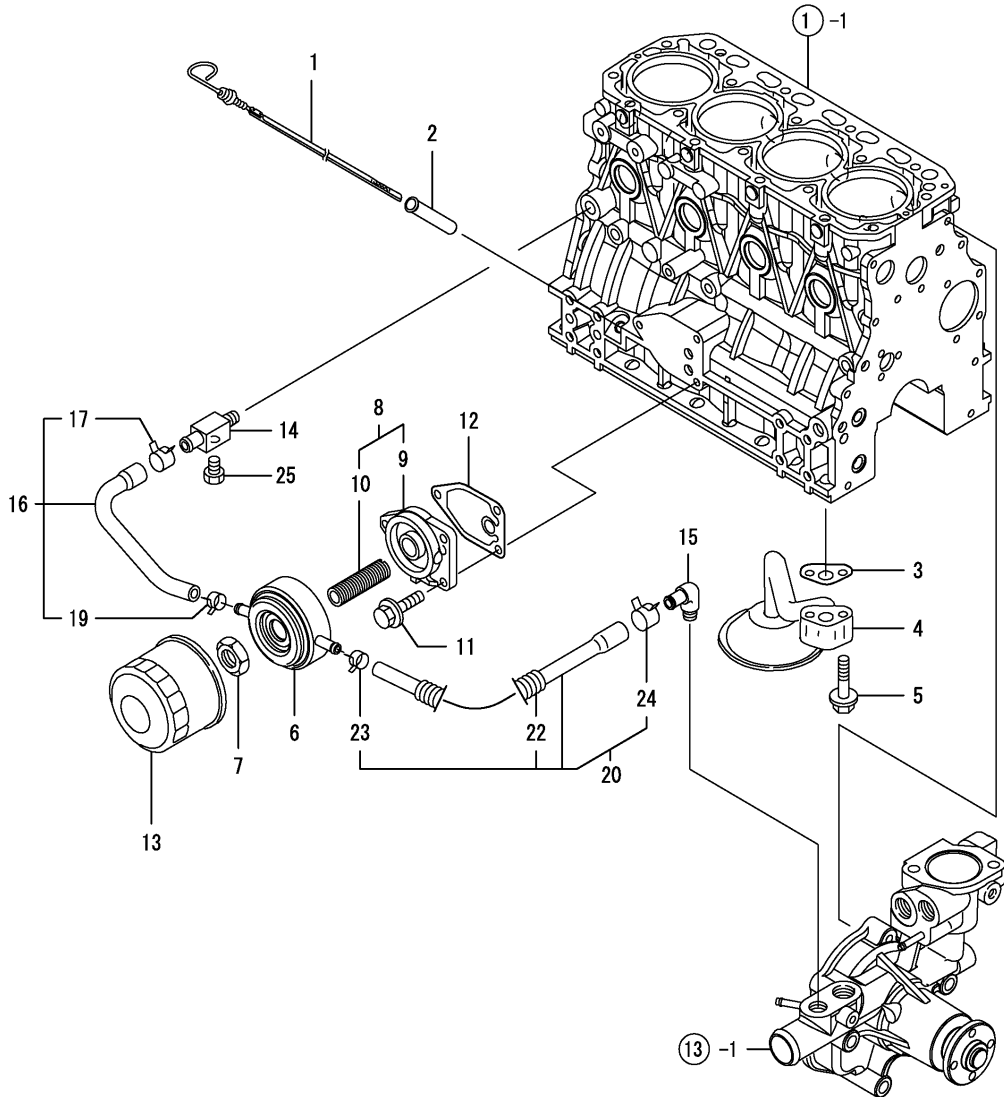
Remarks
 (1) REPAIR PART.
 (2) OVER-SIZE(O.S=0.25)PART.
 (3) UNDER-SIZE(U.S=0.25)PART.

FIG.11.LUB.OIL SYSTEM

(A)=4TNV84T-DSA (D)=4TNV84T-GGE

(B)=4TNV84T-DSA2 (E)=

(C)=4TNV84T-DSA3 (F)=



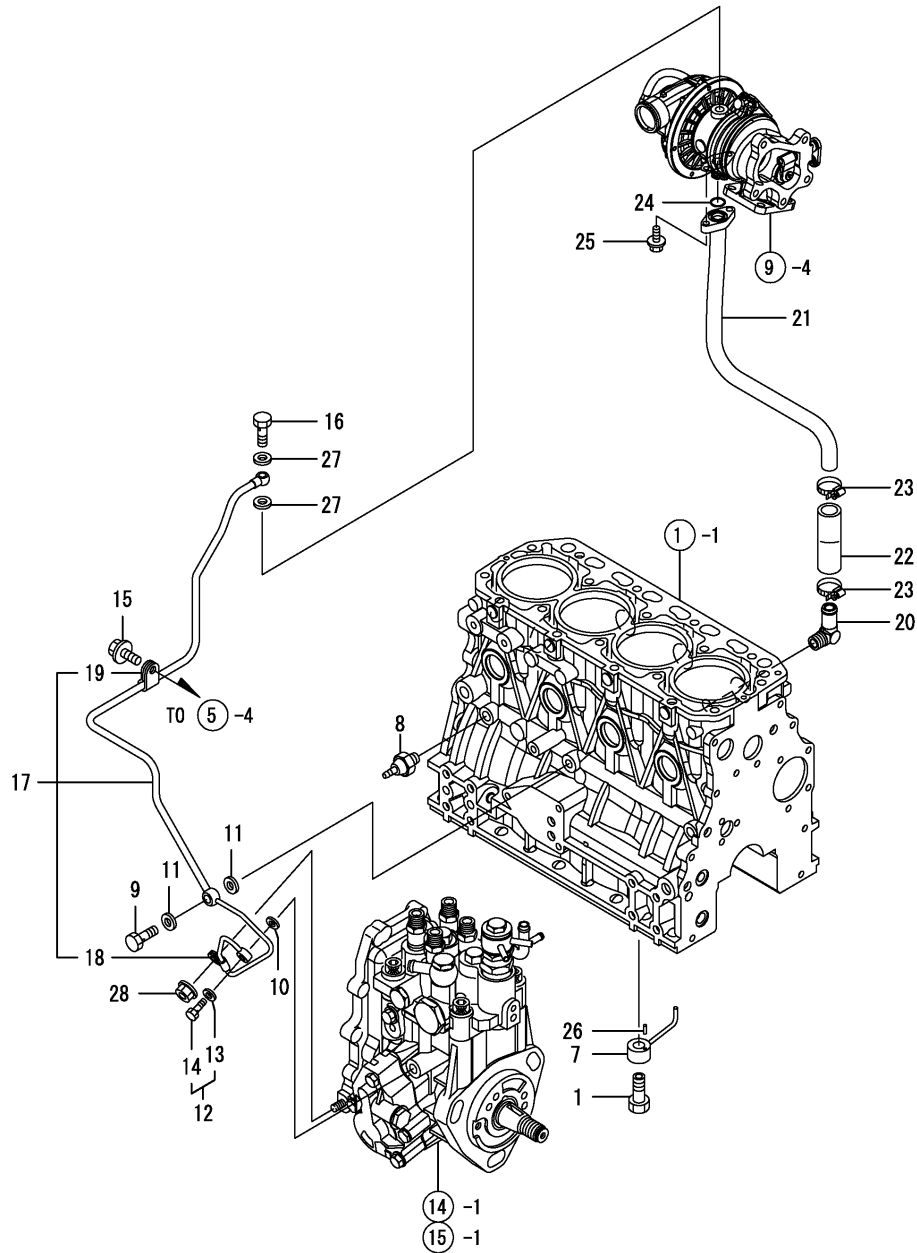
REF.	LEV.	PARTS NO.	DESCRIPTION	QTY						I	R
				(A)	(B)	(C)	(D)	(E)	(F)		
1	1	129004-34801	DIPSTICK, LUB.OIL	1	1	1	1				
2	1	121520-34810	GUIDE, DIPSTICK	1	1	1	1				
3	1	129150-35041	GASKET, (NON-ASB.)	1	1	1	1				
4	1	129436-35091	PIPE ASSY, LUB. OIL	1	1	1	1				
5	1	26106-080352	BOLT M 8X 35 PLATED	2	2	2	2				
6	1	129508-33010	COOLER ASSY, OIL	1	1	1	1				
7	1	129417-33110	NUT OIL COOLER	1	1	1	1				
8	1	129006-35100	BRACKET ASSY, FILTER	1	1	1	1				
9	2	119802-35110	BRACKET, FILTER	1	1	1	1				
10	2	129417-35150	STUD	1	1	1	1				
11	1	26106-080202	BOLT M 8X 20 PLATED	3	3	3	3				
12	1	129150-35111	GASKET, (NON-ASB.)	1	1	1	1				
13	1	129150-35152	FILTER 80X80L	1	1	1	1				
14	1	129006-44480	JOINT	1	1	1	1				
15	1	129103-49301	ELBOW PT 1/4	1	1	1	1				
16	1	129508-49030	PIPE,COOLER IN	1	1	1	1				
17	2	171008-03990	CLAMP 18.5	1	1	1	1				
19	2	23080-015000	CLAMP	1	1	1	1				
20	1	129508-49040	PIPE,COOLER OUT	1	1	1	1				
22	2	119940-59130	PROTECTOR, PIPE 19	1	1	1	1				
23	2	23080-015000	CLAMP	1	1	1	1				
24	2	23080-018000	CLAMP 18	1	1	1	1				
25	1	171056-49120	PLUG, DRAIN	1	1	1	1				

FIG.12.LUB.OIL LINE

(A)=4TNV84T-DSA (D)=4TNV84T-GGE

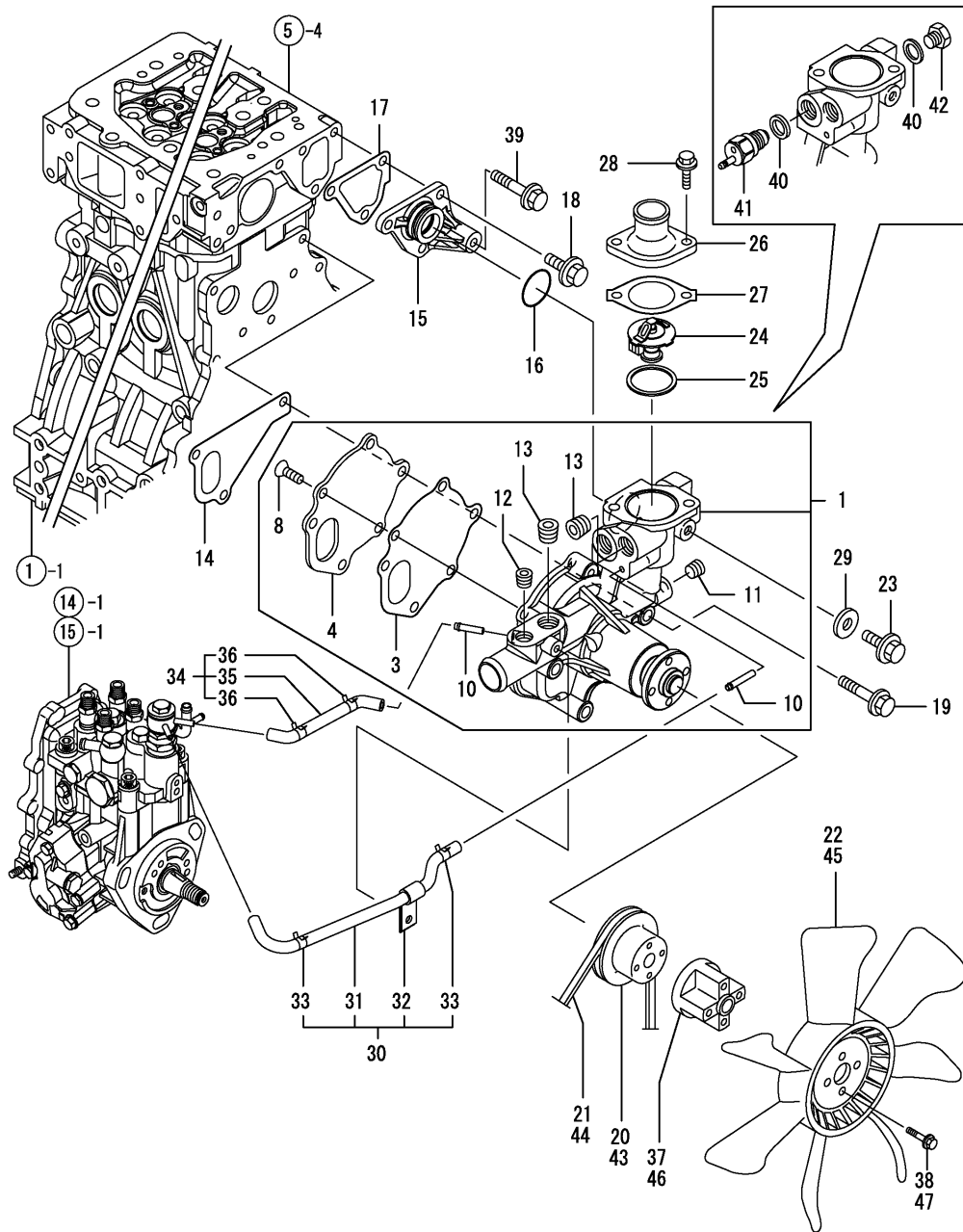
(B)=4TNV84T-DSA2 (E)=

(C)=4TNV84T-DSA3 (F)=



REF.	LEV.	PARTS NO.	DESCRIPTION	QTY						I	R
				(A)	(B)	(C)	(D)	(E)	(F)		
1	1	129792-39410	VALVE ASSY, CHECK	4	4	4	4				
7	1	129553-39650	NOZZLE	4	4	4	4				
8	1	114250-39450	SWITCH,(0.5KG)L.O.	1	1	1	1				
9	1	124160-39140	BOLT 10, PIPE JOINT	1	1	1	1				
10	1	22190-080002	SEAL WASHER 8S	1	1	1	1				
11	1	22190-100002	SEAL WASHER 10S	2	2	2	2				
12	1	129005-59830	BOLT ASSY, JOINT	1	1	1	1				
13	2	22190-080002	SEAL WASHER 8S	1	1	1	1				
14	2	23857-030000	JOINT BOLT 3	1	1	1	1				
15	1	26106-080122	BOLT M 8X 12 PLATED	1	1	1	1				
16	1	121252-39150	BOLT, PIPE JOINT	1	1	1	1				
17	1	129508-39450	PIPE ASSY, LUB. OIL	1	1	1	1				
18	2	119802-39500	RETAINER	1	1	1	1				
19	2	124223-39900	RETAINER	1	1	1	1				
20	1	124070-13300	ELBOW (PT3/8)	1	1	1	1				
21	1	129508-39600	PIPE, FUEL RETURN	1	1	1	1				
22	1	123901-39820	HOSE	1	1	1	1				
23	1	23000-025000	CLAMP 25	2	2	2	2				
24	1	24314-000160	O-RING 4C P-16.0	1	1	1	1				
25	1	26106-060162	BOLT M 6X 16 PLATED	2	2	2	2				
26	1	22351-030010	SPRING PIN 3X10	4	4	4	4				
27	1	23414-100000	GASKET 10, ROUND	2	2	2	2				
28	1	26366-060002	NUT M 6	1	1	1	1				

Fig.13.COOLING WATER SYSTEM



Y00R5650 13.COOLING WATER SYSTEM

(A)=4TNV84T-DSA (D)=4TNV84T-GGE
 (B)=4TNV84T-DSA2 (E)=
 (C)=4TNV84T-DSA3 (F)=

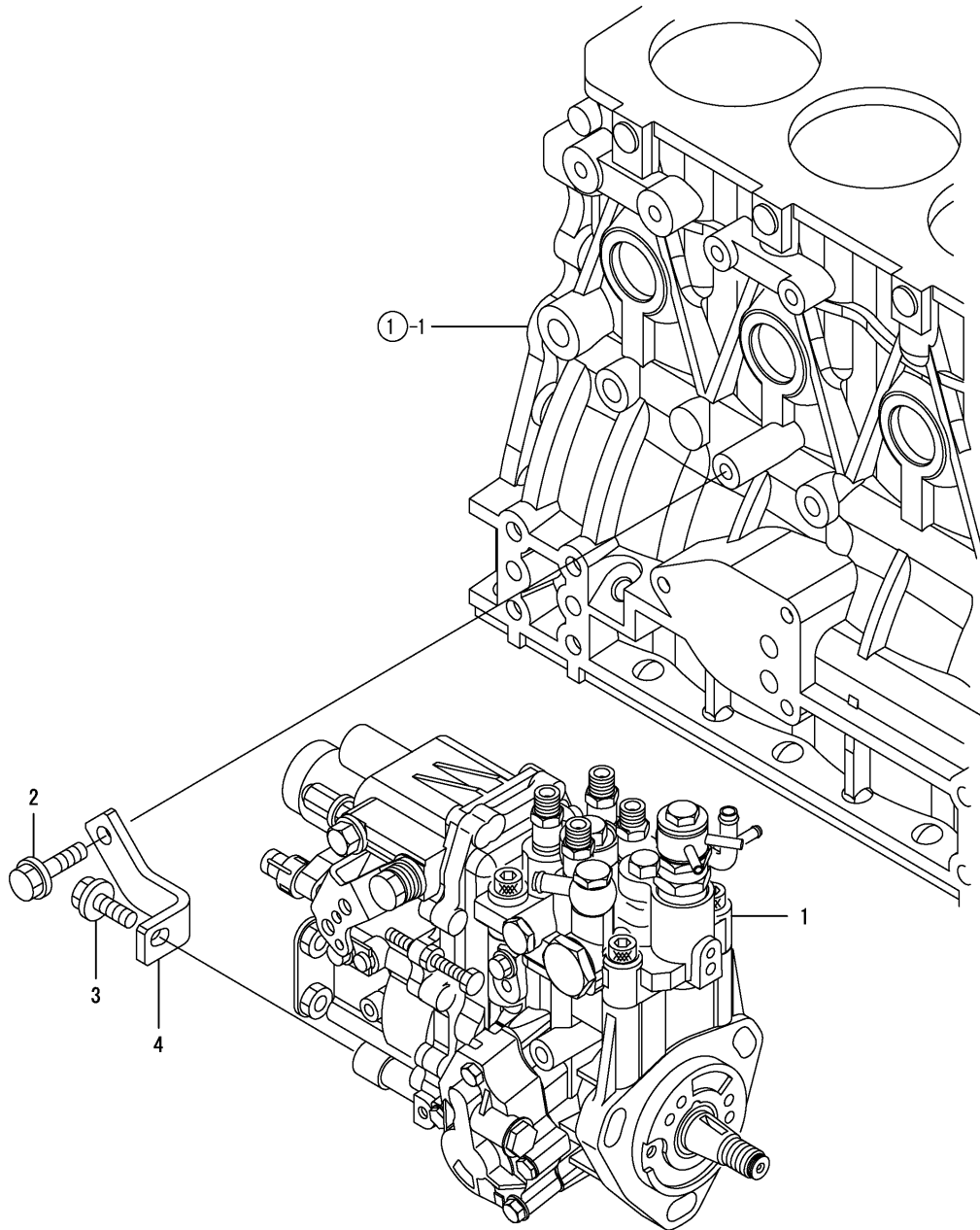
REF.	LEV.	PARTS NO.	DESCRIPTION	QTY						I	R
				(A)	(B)	(C)	(D)	(E)	(F)		
1	1	129508-42001	PUMP ASSY, C.W.	1	1	1	1				
3	2	129100-42051	GASKET, (NON-ASB.)	1	1	1	1				
4	2	129100-42121	PLATE	1	1	1	1				
8	2	121850-42410	SCREW	3	3	3	3				
10	2	119802-49113	JOINT	2	2	2	2				
11	2	23876-010000	PLUG PT1/8,SCREW	1	1	1	1				
12	2	23876-020000	PLUG PT1/4,SCREW	1	1	1	1				
13	2	129916-49740	PLUG, DRAIN R03	2	2	2	2				
14	1	129486-42021	GASKET	1	1	1	1				
15	1	129004-42040	JOINT	1	1	1	1				
16	1	129486-42140	O-RING,CW-P	1	1	1	1				
17	1	124395-49840	GASKET, THERMO. CASE	1	1	1	1				
18	1	26106-080162	BOLT M 8X 16 PLATED	3	3	3	3				
19	1	26106-080602	BOLT M 8X 60 PLATED	3	3	3	3				
20	1	129155-42350	V-PULLEY, C.W. PUMP							1	
21	1	119831-42290	V-BELT A37.5								1
22	1	129612-44700	FAN, COOLING								1
23	1	26106-080122	BOLT M 8X 12 PLATED	1	1	1	1				1
24	1	129155-49801	THERMOSTAT (71)	1	1	1	1				1
25	1	129150-49811	GASKET, (NON-ASB.)	1	1	1	1				1
26	1	129350-49530	COVER, THERMOSTAT	1	1	1	1				1
27	1	129795-49551	GASKET, (NON-ASB.)	1	1	1	1				1
28	1	26106-080222	BOLT M 8X 22 PLATED	2	2	2	2				2
29	1	23414-080000	GASKET 8, ROUND	1	1	1	1				1
30	1	129004-49610	PIPE ASSY, A MP2	1	1	1	1				1
31	2	129004-49711	PIPE ASSY, A MP2	1	1	1	1				1
32	2	119802-49730	CLAMP,CW-T	1	1	1	1				1
33	2	124722-59050	CLAMP 9	2	2	2	2				2
34	1	129004-49620	PIPE ASSY, B MP2	1	1	1	1				1
35	2	129004-49721	PIPE, WATER B MP2	1	1	1	1				1
36	2	124722-59050	CLAMP 9	2	2	2	2				2
37	1	121267-44760	SPACER								1
38	1	26106-060302	BOLT M 6X 30 PLATED								4
39	1	26106-080452	BOLT M 8X 45 PLATED	1	1	1	1				1
40	1	124465-44950	GASKET 16	2	2	2	2				2
41	1	121250-44901	SWITCH, THERMO(110C)	1	1	1	1				1
42	1	121450-42450	PLUG M16	1	1	1	1				1
43	1	129403-42380	V-PULLEY(D=110)	1	1	1	1				1
44	1	119865-42290	V-BELT (A:36.5)	1	1	1	1				1
45	1	129655-44740	FAN, COOLING	1	1	1	1				1
46	1	171353-44760	SPACER	1	1	1	1				1
47	1	26106-060402	BOLT M 6X 40 PLATED	4	4	4	4				4

Fig.14.FUEL INJECTION PUMP

(A)=4TNV84T-DSA (D)=4TNV84T-GGE

(B)=4TNV84T-DSA2 (E)=

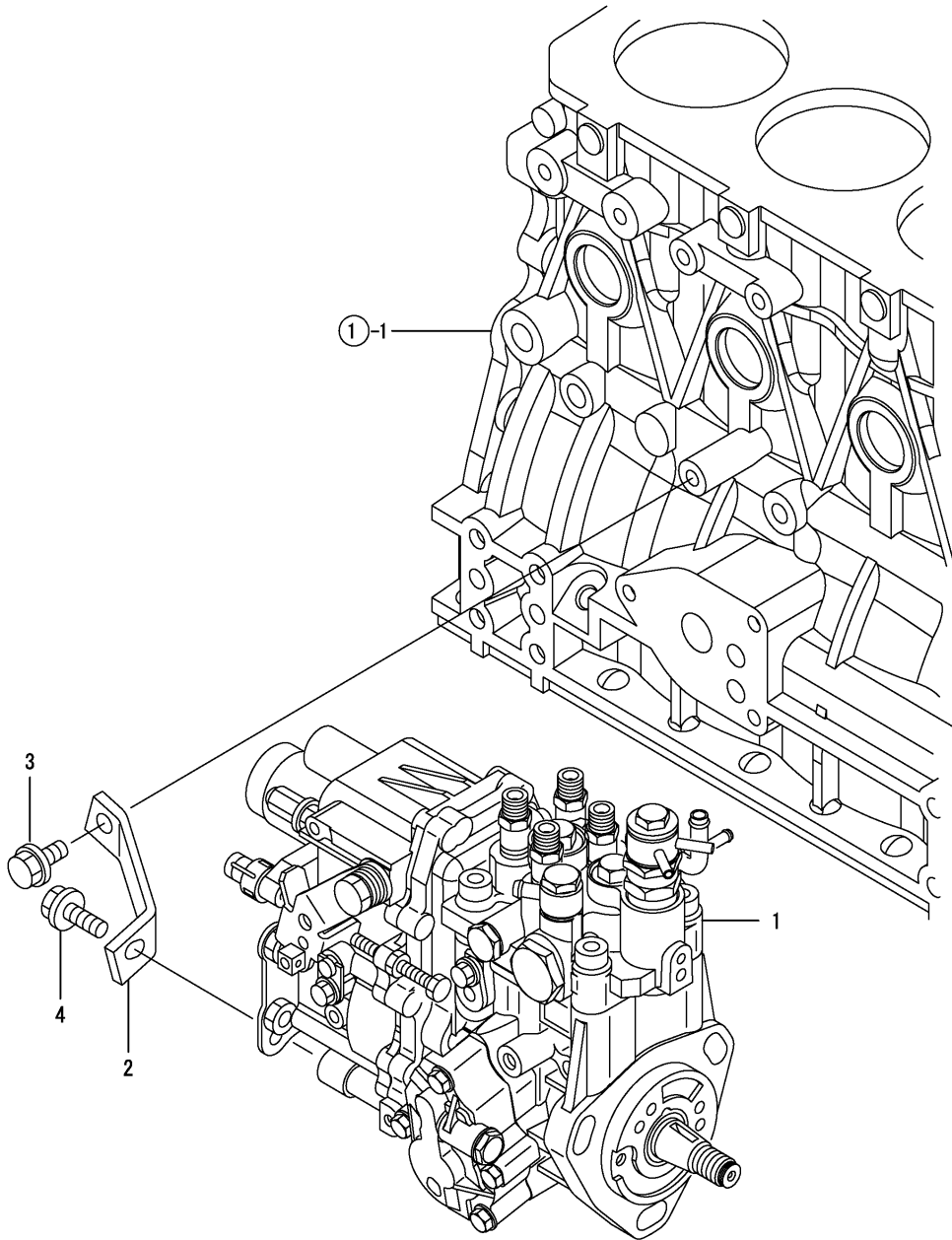
(C)=4TNV84T-DSA3 (F)=



REF.	LEV.	PARTS NO.	DESCRIPTION	QTY						I	R
				(A)	(B)	(C)	(D)	(E)	(F)		
1	1	729508-51310	FUEL INJECTION ASSY	1	1	1					
2	1	26106-080302	BOLT M 8X 30 PLATED	1	1	1					
3	1	26106-080202	BOLT M 8X 20 PLATED	1	1	1					
4	1	129508-51250	SUPPORT,FIP	1	1	1					

Fig.15.FUEL INJECTION PUMP

4TNV84T-GGE



Y00R5650 15.FUEL INJECTION PUMP

(A)=4TNV84T-DSA (D)=4TNV84T-GGE

(B)=4TNV84T-DSA2 (E)=

(C)=4TNV84T-DSA3 (F)=

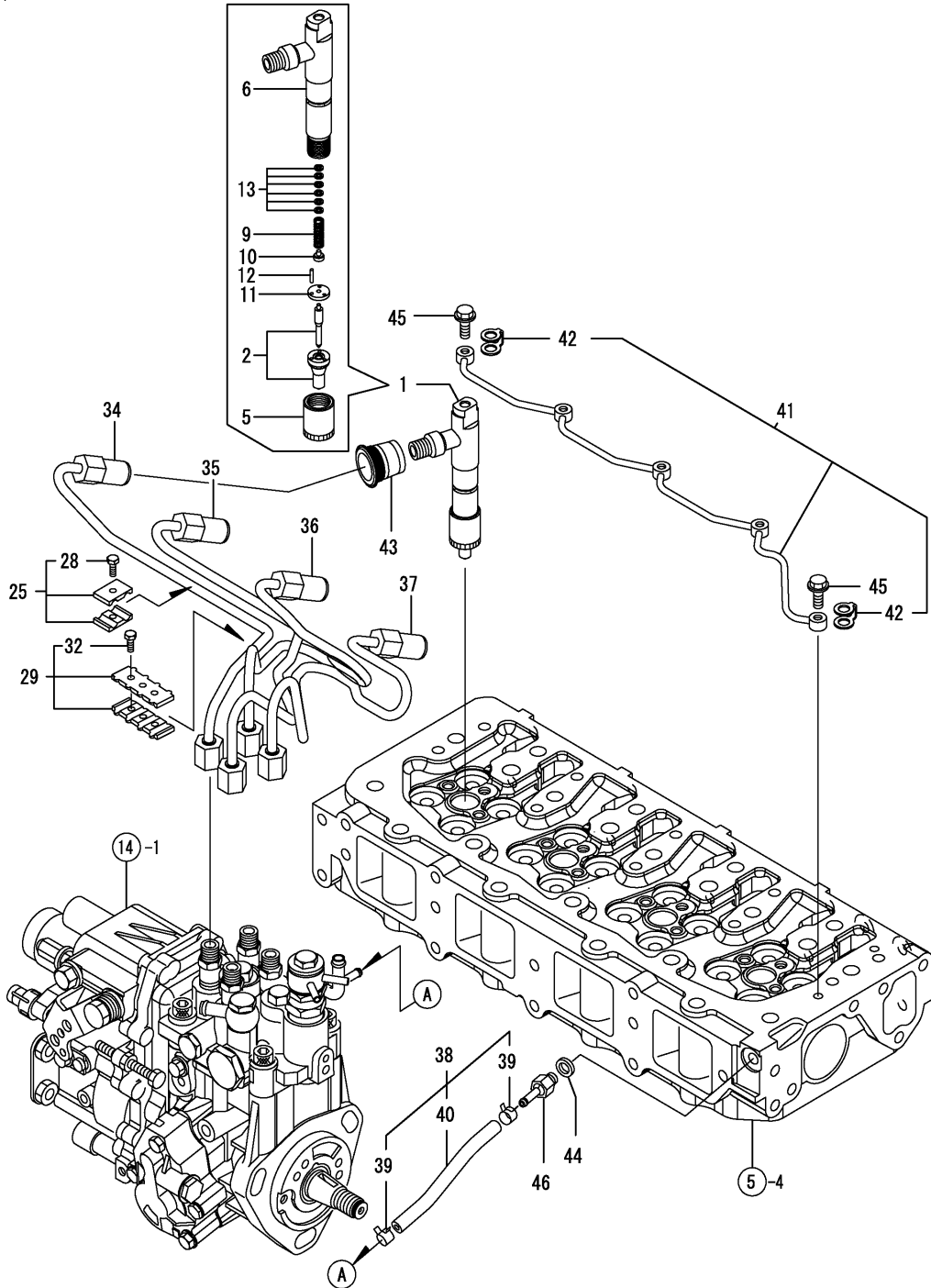
REF.	LEV.	PARTS NO.	DESCRIPTION	QTY						I	R	
				(A)	(B)	(C)	(D)	(E)	(F)			
1	1	729649-51390	INJECTION PUMP ASSY				1					
2	1	129601-51250	SUPPORT,FIP				1					
3	1	26106-080162	BOLT M 8X 16 PLATED				1					
4	1	26106-080202	BOLT M 8X 20 PLATED				1					

FIG.16.FUEL INJECTION VALVE

(A)=4TNV84T-DSA (D)=4TNV84T-GGE

(B)=4TNV84T-DSA2 (E)=

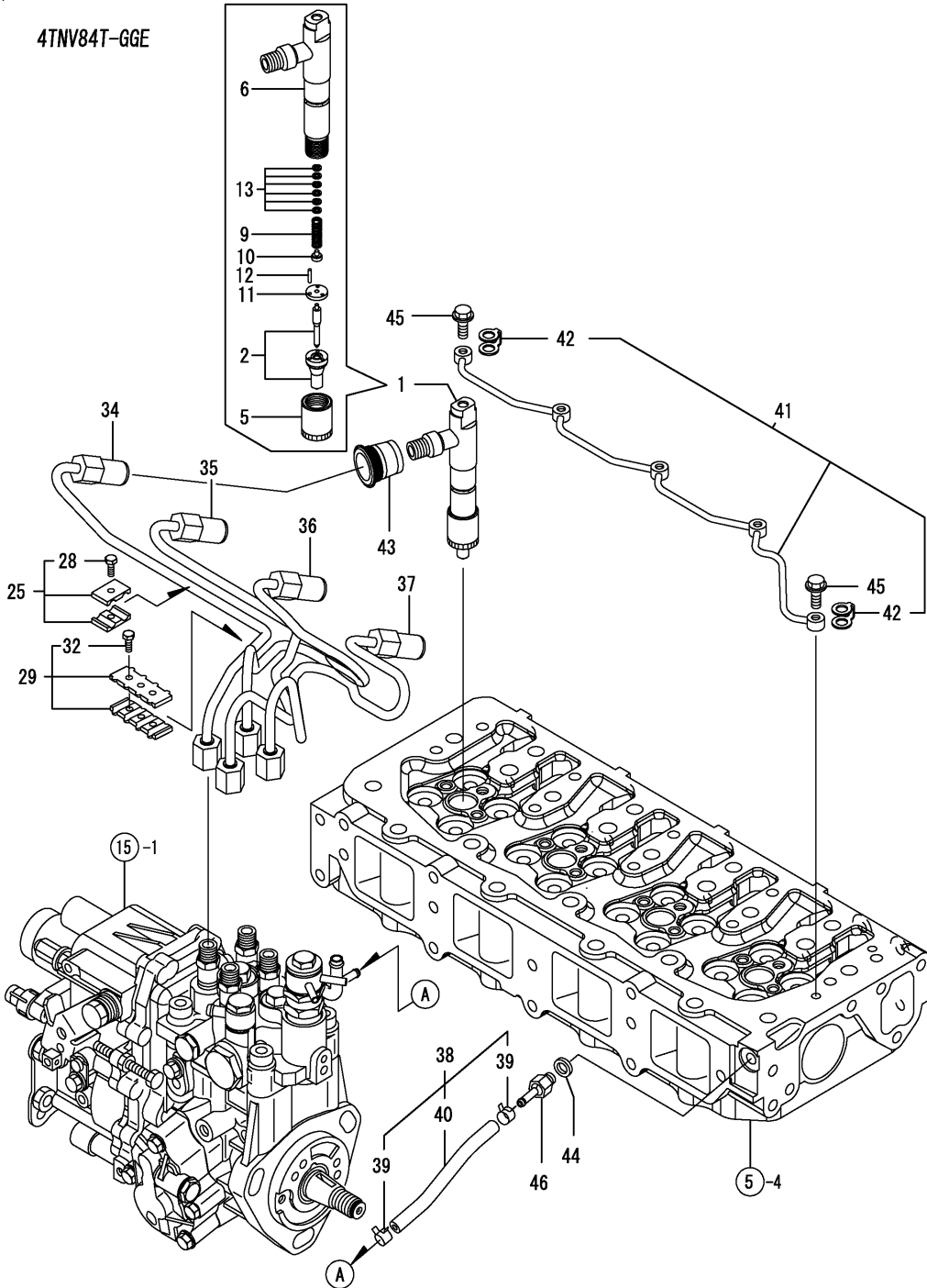
(C)=4TNV84T-DSA3 (F)=



REF.	LEV.	PARTS NO.	DESCRIPTION	QTY						I	R
				(A)	(B)	(C)	(D)	(E)	(F)		
1	1	729508-53100	FUEL INJECTOR(VBT	4	4	4					
2	2	129508-53000	NOZZLE ASSY	4	4	4					
5	2	114250-53080	NUT, NOZZLE CASE	4	4	4					
6	2	129508-53100	HOLDER ASSY, NOZZLE	4	4	4					
9	2	114250-53120	SPRING, NOZZLE	4	4	4					
10	2	114250-53130	SEAT, NOZZLE SPRING	4	4	4					
11	2	114250-53140	PLATE, STOP	4	4	4					
12	2	114250-53210	PIN	8	8	8					
13	2	114250-53400	SHIM PACK	4	4	4					
25	1	119305-59120	RETAINER	2	2	2					
28	2	129150-59131	BOLT M4X14,HEX.SCKT.	2	2	2					
29	1	129550-59120	RETAINER	1	1	1					
32	2	129150-59131	BOLT M4X14,HEX.SCKT.	2	2	2					
34	1	129508-59910	PIPE ASSY, INJECTION	1	1	1					
35	1	129508-59920	PIPE ASSY, INJECTION	1	1	1					
36	1	129508-59930	PIPE ASSY, INJECTION	1	1	1					
37	1	129508-59940	PIPE ASSY, INJECTION	1	1	1					
38	1	129508-59570	PIPE ASSY, RETURN	1	1	1					
39	2	124722-59050	CLAMP 9	2	2	2					
40	2	129508-59510	PIPE, FUEL RETURN	1	1	1					
41	1	129508-59550	PIPE ASSY,F.O.RETURN	1	1	1					
42	2	123907-59550	PACKING,FUEL RETURN	5	5	5					
43	1	123907-11601	PIPE SEAL	4	4	4					
44	1	22190-080002	SEAL WASHER 8S	1	1	1					
45	1	123907-59540	JOINT BOLT M6	5	5	5					
46	1	123907-59560	HOSE JOINT 4	1	1	1					

Fig.17.FUEL INJECTION VALVE

4TNV84T-GGE



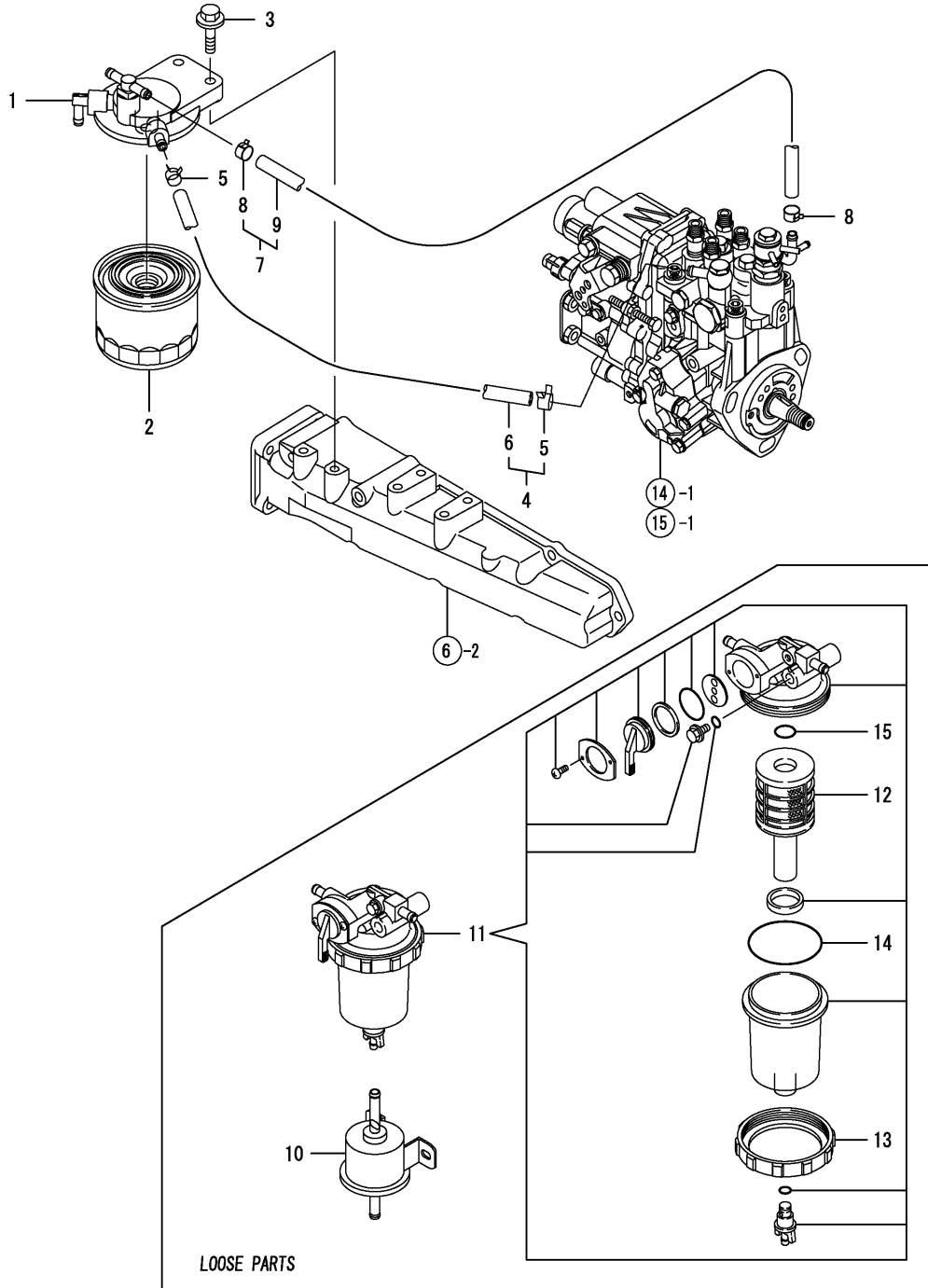
(A)=4TNV84T-DSA (D)=4TNV84T-GGE

(B)=4TNV84T-DSA2 (E)=

(C)=4TNV84T-DSA3 (F)=

REF.	LEV.	PARTS NO.	DESCRIPTION	QTY						I	R	
				(A)	(B)	(C)	(D)	(E)	(F)			
1	1	729649-53100	FUEL INJECTOR(WCQ				4					
2	2	129649-53000	NOZZLE ASSY				4					
5	2	114250-53080	NUT, NOZZLE CASE				4					
6	2	129508-53100	HOLDER ASSY, NOZZLE				4					
9	2	114250-53120	SPRING, NOZZLE				4					
10	2	114250-53130	SEAT, NOZZLE SPRING				4					
11	2	114250-53140	PLATE, STOP				4					
12	2	114250-53210	PIN				8					
13	2	114250-53400	SHIM PACK				4					
25	1	119305-59120	RETAINER				2					
28	2	129150-59131	BOLT M4X14,HEX.SCKT.				2					
29	1	129550-59120	RETAINER				1					
32	2	129150-59131	BOLT M4X14,HEX.SCKT.				2					
34	1	129508-59910	PIPE ASSY, INJECTION				1					
35	1	129508-59920	PIPE ASSY, INJECTION				1					
36	1	129508-59930	PIPE ASSY, INJECTION				1					
37	1	129508-59940	PIPE ASSY, INJECTION				1					
38	1	129508-59570	PIPE ASSY, RETURN				1					
39	2	124722-59050	CLAMP 9				2					
40	2	129508-59510	PIPE, FUEL RETURN				1					
41	1	129508-59550	PIPE ASSY,F.O.RETURN				1					
42	2	123907-59550	PACKING,FUEL RETURN				5					
43	1	123907-11601	PIPE SEAL				4					
44	1	22190-080002	SEAL WASHER 8S				1					
45	1	123907-59540	JOINT BOLT M6				5					
46	1	123907-59560	HOSE JOINT 4				1					

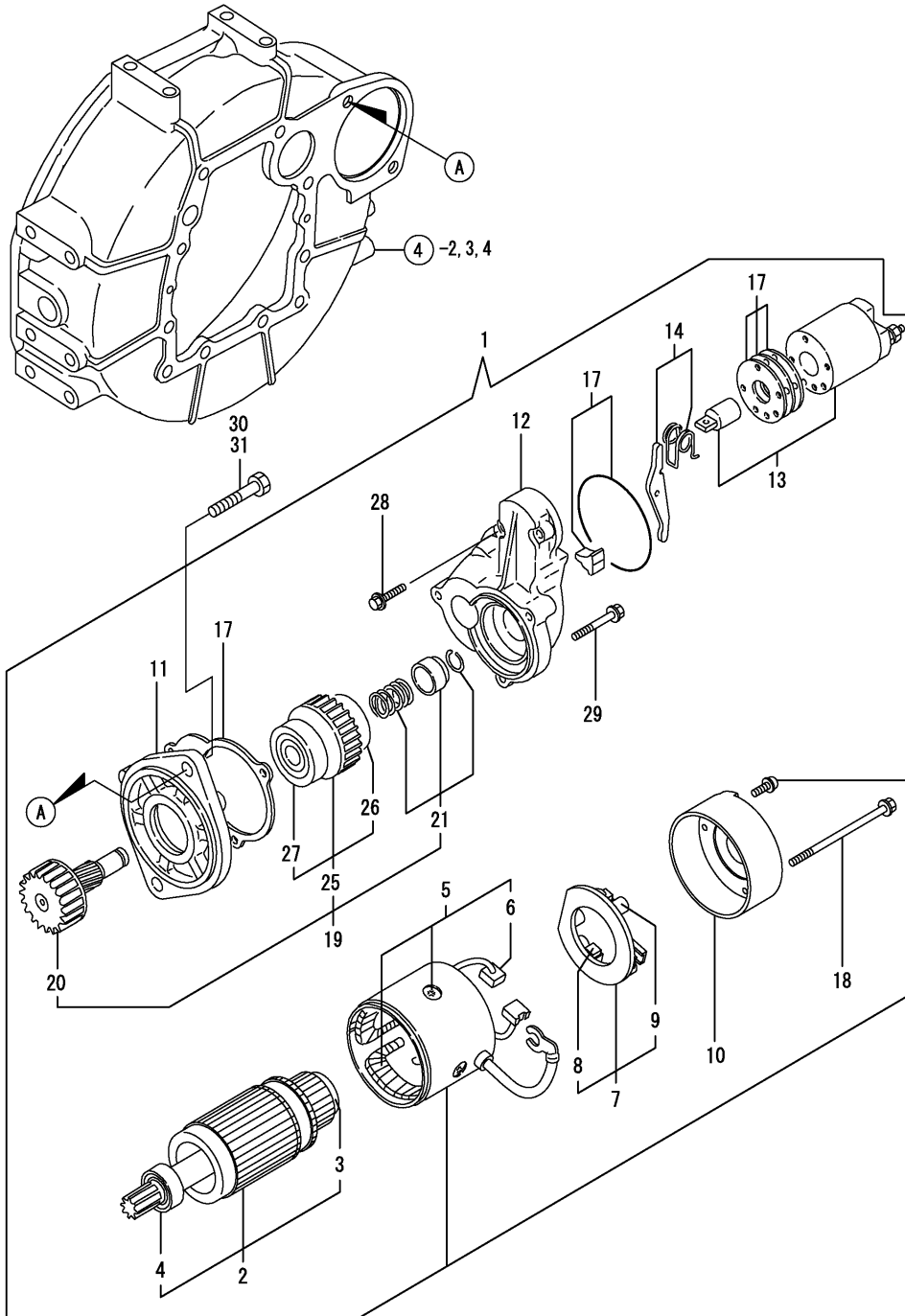
Fig.18.FUEL LINE



(A)=4TNV84T-DSA (D)=4TNV84T-GGE
 (B)=4TNV84T-DSA2 (E)=
 (C)=4TNV84T-DSA3 (F)=

REF.	LEV.	PARTS NO.	DESCRIPTION	QTY						I	R
				(A)	(B)	(C)	(D)	(E)	(F)		
1	1	129004-55610	BRACKET, FILTER	1	1	1	1				
2	1	119802-55800	FILTER, FUEL	1	1	1	1				
3	1	26106-080302	BOLT M 8X 30 PLATED	2	2	2	2				
4	1	129210-59110	PIPE ASSY, FUEL	1	1	1	1				
5	2	124766-59050	CLAMP 12	2	2	2	2				
6	2	105025-59560	PIPE, FUEL OIL	1	1	1	1				
7	1	129210-59160	PIPE ASSY, FUEL OIL	1	1	1	1				
8	2	124766-59050	CLAMP 12	2	2	2	2				
9	2	129612-59520	PIPE, FUEL OIL	1	1	1	1				
10	1	119225-52102	PUMP ASSY, FUEL FEED	1	1	1	1				
11	1	119802-55700	SEPARATOR ASSY	1	1	1	1				
12	2	119802-55710	ELEMENT	1	1	1	1				
13	2	129100-55690	RING, RETAINING	1	1	1	1				
14	2	24321-000650	O-RING 1A G-65.0	1	1	1	1				
15	2	24311-000160	O-RING 1A P-16.0	1	1	1	1				

Fig.19.STARTING MOTOR



Y00R5650 19.STARTING MOTOR

(A)=4TNV84T-DSA (D)=4TNV84T-GGE

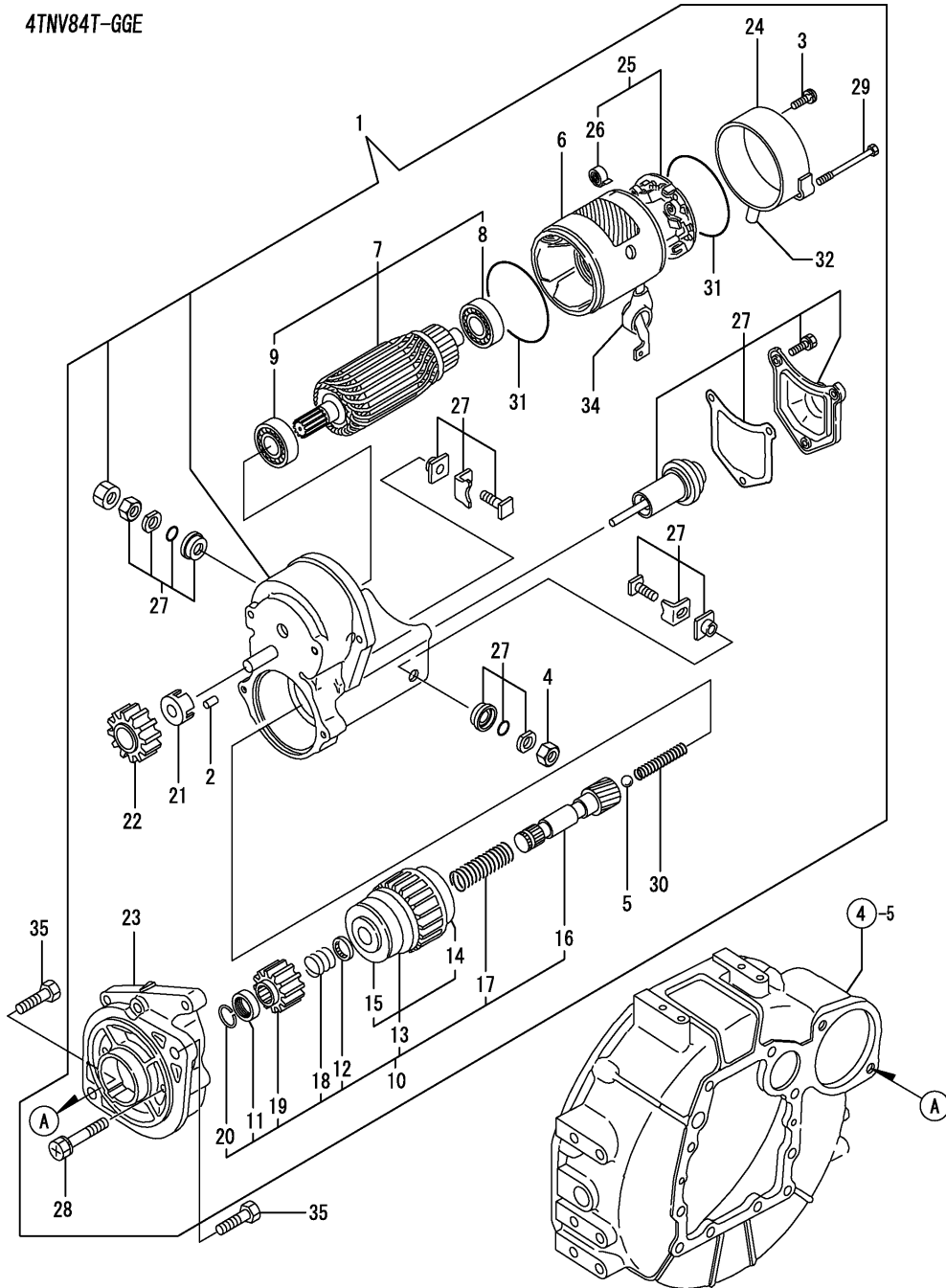
(B)=4TNV84T-DSA2 (E)=

(C)=4TNV84T-DSA3 (F)=

REF.	LEV.	PARTS NO.	DESCRIPTION	QTY						I	R
				(A)	(B)	(C)	(D)	(E)	(F)		
1	1	129400-77012	STARTING MOTOR	1	1	1					
2	2	129486-77400	ARMATUER	1	1	1					
3	3	171008-77410	BEARING(1)	1	1	1					
4	3	171008-77420	BEARING(2)	1	1	1					
5	2	129400-77441	FIELD COIL ASSY	1	1	1					
6	3	129486-77460	BRUSH	2	2	2					
7	2	129486-77470	HOLDER ASSY, BRUSH	1	1	1					
8	3	129486-77460	BRUSH	2	2	2					
9	3	129486-77490	SPRING,START BRUSH	4	4	4					
10	2	129900-77460	COVER, REAR	1	1	1					
11	2	171008-77510	HOUSING ASSY, GEAR	1	1	1					
12	2	129400-77520	HOUSING, CENTER	1	1	1					
13	2	129400-77531	SWITCH ASSY,MAGNETIC	1	1	1					
14	2	171008-77540	LEVER SET, SHIFT	1	1	1					
17	2	129400-77571	DUST COVER,(NON-ASB.	1	1	1					
18	2	129900-77640	BOLT, THROUGH	2	2	2					
19	2	171008-77650	PINION ASSY	1	1	1					
20	3	171008-77660	SHAFT, PINION	1	1	1					
21	3	171008-77670	STOPPER SET, PINION	1	1	1					
25	3	X2114555500	CLUTCH ASSY	1	1	1					
26	4	X2114955020	BALL BEARING	1	1	1					
27	4	X2240410100	BALL BEARING	1	1	1					
28	2	26106-060322	BOLT M 6X 32 PLATED	2	2	2					
29	2	26106-060402	BOLT M 6X 40 PLATED	3	3	3					
30	1	26116-120252	BOLT M12X 25 PLATED	2	2						
31	1	26116-120202	BOLT M12X 20 PLATED			2					

FIG.20.STARTING MOTOR

4TNV84T-GGE



Y00R5650 20.STARTING MOTOR

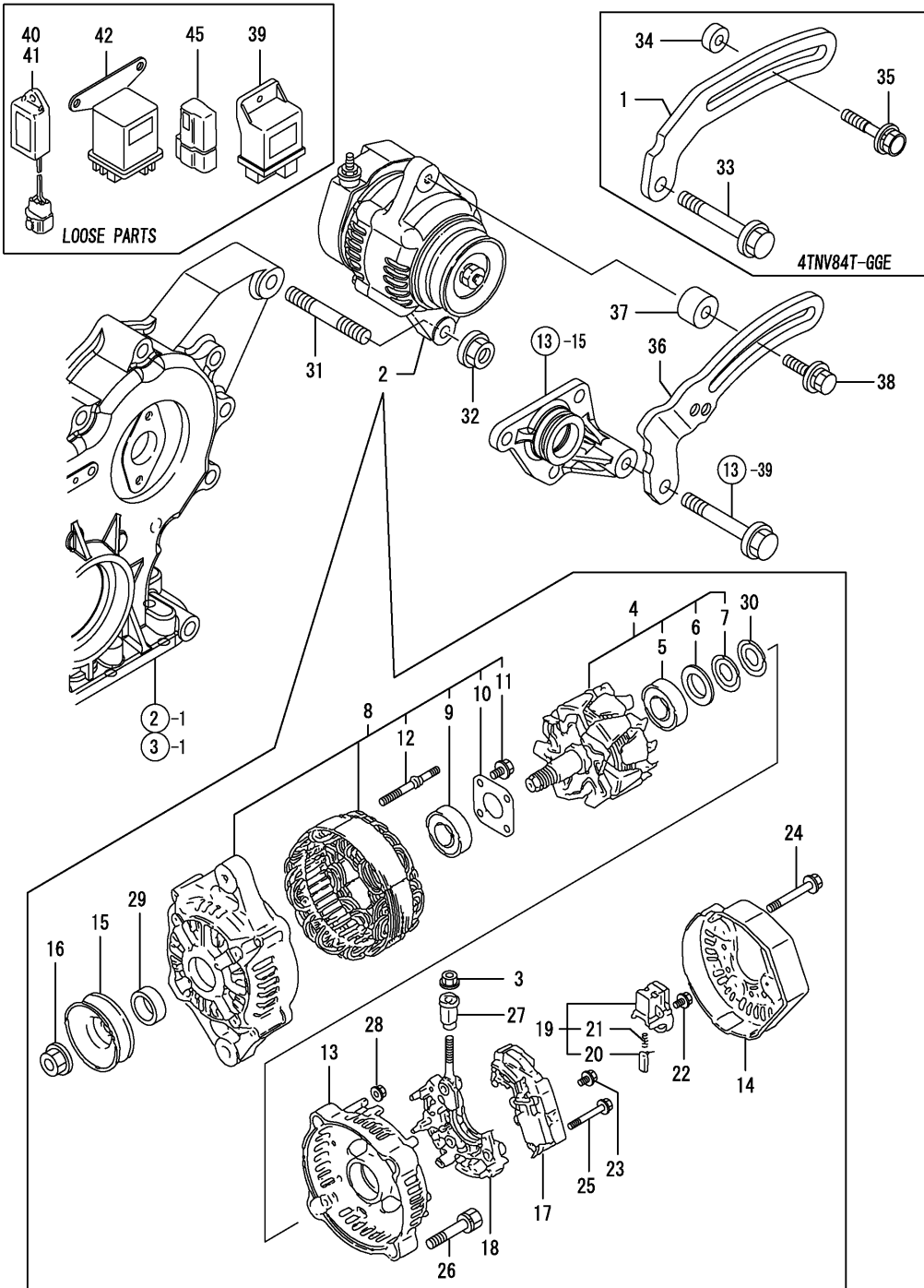
(A)=4TNV84T-DSA (D)=4TNV84T-GGE

(B)=4TNV84T-DSA2 (E)=

(C)=4TNV84T-DSA3 (F)=

REF.	LEV.	PARTS NO.	DESCRIPTION	QTY						I	R
				(A)	(B)	(C)	(D)	(E)	(F)		
1	1	129407-77010	STARTER ASSY				1				
2	2	X0283060061	ROLLER				5				
3	2	129129-77460	SCREW				2				
4	2	X9490561370	NUT				1				
5	2	X9491200240	BALL				1				
6	2	129407-77210	YOKE				1				
7	2	129407-77220	ARMATURE ASSY				1				
8	3	129129-77230	BEARING				1				
9	3	129129-77240	BEARING				1				
10	2	129407-77250	STARTER KIT				1				
11	3	X0280210230	NUT				1				
12	3	X0283270140	RETAINER				1				
13	3	129407-77390	CLUTCH,STARTER				1				
14	4	129129-77440	BEARING				1				
15	4	129129-77450	BEARING				1				
16	3	129129-77400	SHAFT				1				
17	3	129129-77410	SPRING, COIL				1				
18	3	X9491703371	SPRING, COIL				1				
19	3	129129-77420	PINION				1				
20	3	129129-77430	RING				1				
21	2	129129-77260	RETAINER				1				
22	2	129129-77270	PINION				1				
23	2	129407-77280	HOUSING				1				
24	2	129407-77290	FRAME				1				
25	2	129407-77300	HOLDER ASSY				1				
26	3	X9491730461	SPRING				4				
27	2	129407-77310	SWITCH ASSY				1				
28	2	129129-77320	BOLT				2				
29	2	129407-77330	BOLT,W/WASHER				2				
30	2	129129-77340	SPRING				1				
31	2	129129-77350	O-RING				2				
32	2	129129-77362	COVER				1				
34	2	129129-77380	CAP				1				
35	1	26116-120252	BOLT M12X 25 PLATED				2				

Fig.21.GENERATOR

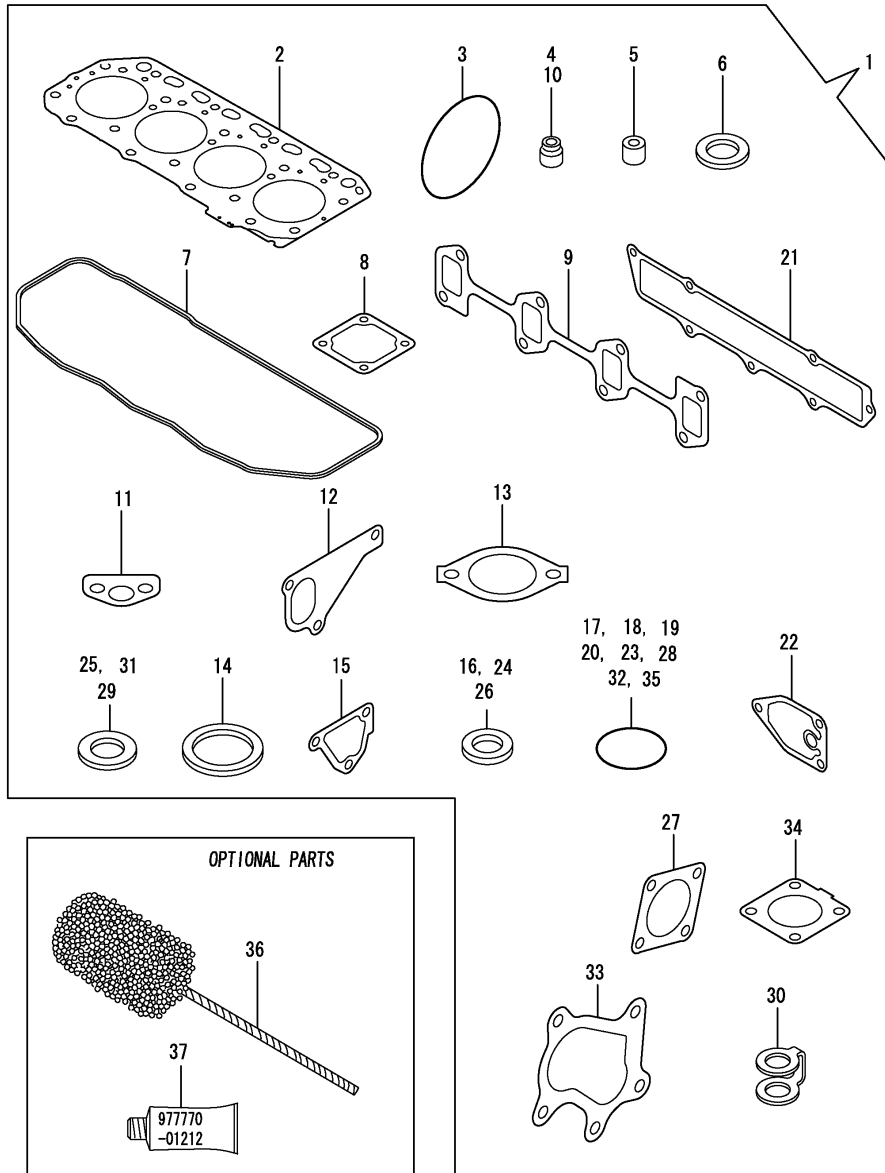


(A)=4TNV84T-DSA (D)=4TNV84T-GGE
 (B)=4TNV84T-DSA2 (E)=
 (C)=4TNV84T-DSA3 (F)=

REF.	LEV.	PARTS NO.	DESCRIPTION	QTY						I	R
				(A)	(B)	(C)	(D)	(E)	(F)		
1	1	119940-77330	ADJUSTER, BELT				1				
2	1	129423-77200	GENERATOR	1	1	1	1				
3	2	X9490561001	NUT	1	1	1	1				
4	2	119620-77380	ROTOR ASSY	1	1	1	1				
5	3	119620-79240	BALL BEARING	1	1	1	1				
6	3	119620-79250	COVER, BEARING	1	1	1	1				
7	3	119620-79360	THRUST WASHER	1	1	1	1				
8	2	119620-77421	FLAME ASSY, DRIVE	1	1	1	1				
9	3	119620-79200	BALL BEARING	1	1	1	1				
10	3	119620-79210	PLATE	1	1	1	1				
11	3	119620-79220	SCREW	4	4	4	4				
12	3	119620-79230	BOLT, STUD	2	2	2	2				
13	2	119620-77440	FLAME ASSY, REAR	1	1	1	1				
14	2	129423-77450	COVER	1	1	1	1				
15	2	119620-77461	PULLEY	1	1	1	1				
16	2	119620-77471	NUT	1	1	1	1				
17	2	129423-77710	REGULATOR ASSY	1	1	1	1				
18	2	119620-79260	HOLDER	1	1	1	1				
19	2	119620-79270	HOLDER, BRUSH	1	1	1	1				
20	3	119620-77480	BRUSH ASSY	2	2	2	2				
21	3	119620-79280	SPRING	2	2	2	2				
22	2	119620-79290	SCREW	1	1	1	1				
23	2	119620-79300	SCREW	1	1	1	1				
24	2	119620-79310	BOLT	3	3	3	3				
25	2	119620-79320	SCREW W/WASHER	2	2	2	2				
26	2	119620-79330	BOLT	2	2	2	2				
27	2	119620-79340	INSULATION BUSH	1	1	1	1				
28	2	119620-79350	NUT	2	2	2	2				
29	2	119620-77490	COLLAR	1	1	1	1				
30	2	119620-79360	THRUST WASHER	1	1	1	1				
31	1	129795-01900	STUD	1	1	1	1				
32	1	26306-100002	NUT	1	1	1	1				
33	1	26106-080452	BOLT M 8X 45 PLATED				1				
34	1	119940-77270	ADJUSTER, BELT				1				
35	1	119802-77340	BOLT, ADJUSTER				1				
36	1	129064-77330	ADJUSTER, BELT	1	1	1					
37	1	129067-77340	SPACER	1	1	1					
38	1	26014-080452	BOLT M 8X 45	1	1	1					
39	1	119802-77200	RELAY, SAFETY							1	
40	1	128300-77920	TIMER	1	1	1	1				
41	1	129211-77920	TIMER	1	1	1	1				
42	1	119650-77910	RELAY, GROW	1	1	1	1				
45	1	119643-66900	DIODE	1	1	1					

Fig.22.GASKET SET

(A)=4TNV84T-DSA (D)=4TNV84T-GGE
 (B)=4TNV84T-DSA2 (E)=
 (C)=4TNV84T-DSA3 (F)=



REF.	LEV.	PARTS NO.	DESCRIPTION	QTY						I	R
				(A)	(B)	(C)	(D)	(E)	(F)		
1	1	729508-92630	GASKET SET(NON-ASB.)	1	1	1	1				1
2	2	129508-01330	GASKET, HEAD	1	1	1	1				
3	2	121850-51960	O-RING, F.I.PUMP	1	1	1	1				
4	2	119717-11340	SEAL, VALVE STEM	8	8	8	8				
5	2	119802-11870	PROTECTOR, NOZZLE	4	4	4	4				
6	2	119625-11880	SEAT, NOZZLE	4	4	4	4				
7	2	129508-11310	PK,BONNET	1	1	1	1				
8	2	129150-77511	GASKET, (NON-ASB.)	1	1	1	1				
9	2	129550-13110	GASKET, EXH.MANIFOLD	1	1	1	1				
10	2	119717-11350	SEAL, VALVE STEM	8	8	8	8				
11	2	129150-35041	GASKET, (NON-ASB.)	1	1	1	1				
12	2	129486-42021	GASKET	1	1	1	1				
13	2	129795-49551	GASKET, (NON-ASB.)	1	1	1	1				
14	2	129150-49811	GASKET, (NON-ASB.)	1	1	1	1				
15	2	124395-49840	GASKET, THERMO. CASE	1	1	1	1				
16	2	22190-080002	SEAL WASHER 8S	3	3	3	3				
17	2	24311-000120	O-RING 1A P 12.0	3	3	3	3				
18	2	24311-000320	O-RING 1A P-32.0	2	2	2	2				
19	2	24341-000240	O-RING 1A S-24.0	1	1	1	1				
20	2	129486-42140	O-RING,CW-P	1	1	1	1				
21	2	129508-12110	GASKET, MAFIFOLD	1	1	1	1				
22	2	129150-35111	GASKET, (NON-ASB.)	1	1	1	1				
23	2	119609-32040	O-RING P16	4	4	4	4				
24	2	22190-100002	SEAL WASHER 10S	2	2	2	2				
25	2	23414-080000	GASKET 8, ROUND	1	1	1	1				
26	2	22190-220002	SEAL WASHER 22S	1	1	1	1				
27	2	124240-01883	GASKET, (NON-ASB.)	1	1	1	1				
28	2	24321-000800	O-RING 1A G-80.0	1	1	1	1				
29	2	23414-100000	GASKET 10, ROUND	2	2	2	2				
30	2	123907-59550	PACKING,FUEL RETURN	5	5	5	5				
31	2	124465-44950	GASKET 16	2	2	2	2				
32	2	24341-000400	O-RING 1A S-40.0	1	1	1	1				
33	2	129508-18090	GASKET, TURBOCHARGER	1	1	1	1				
34	2	129508-18080	GASKET	1	1	1	1				
35	2	24314-000160	O-RING 4C P-16.0	1	1	1	1				
36	1	129400-92420	FLEX HORN	1	1	1	1				1
37	1	977770-01212	GASKET, LIQUID	1	1	1	1				1

Remarks
 (1) OPTIONAL PART.