

MAK 17 S Rotary cultivator



Documents

Hood w/o headlight (Single-disc clutch version)
Hood with headlight
Injection hood (Multi-disc clutch version)
Speed-change gear box
Single-disc clutch
Multi-disc clutch
Gears (Gearbox)
Axle, brakes and wheels
Internals controls
Handlebar rod and connections
Handlebar and controls (ver. single-disc clutch)
Handlebar and controls (ver. multi-disc clutch)
80 cm rotor with adjustable cowling and fixed connection 69219067
70 cm rotor with adjustable cowling and fixed connection 69219069
Tiller for engines > 11HP 69219071/69219072
Quickfit
Oil bath movement L0101500
Middle fingers cutter bar 69229084/69229085/69229086/69229087
Special cutter bar 69229068A/69229069A/69229070A/69229071A

Illustration Hood w/o headlight (Single-disc clutch version)

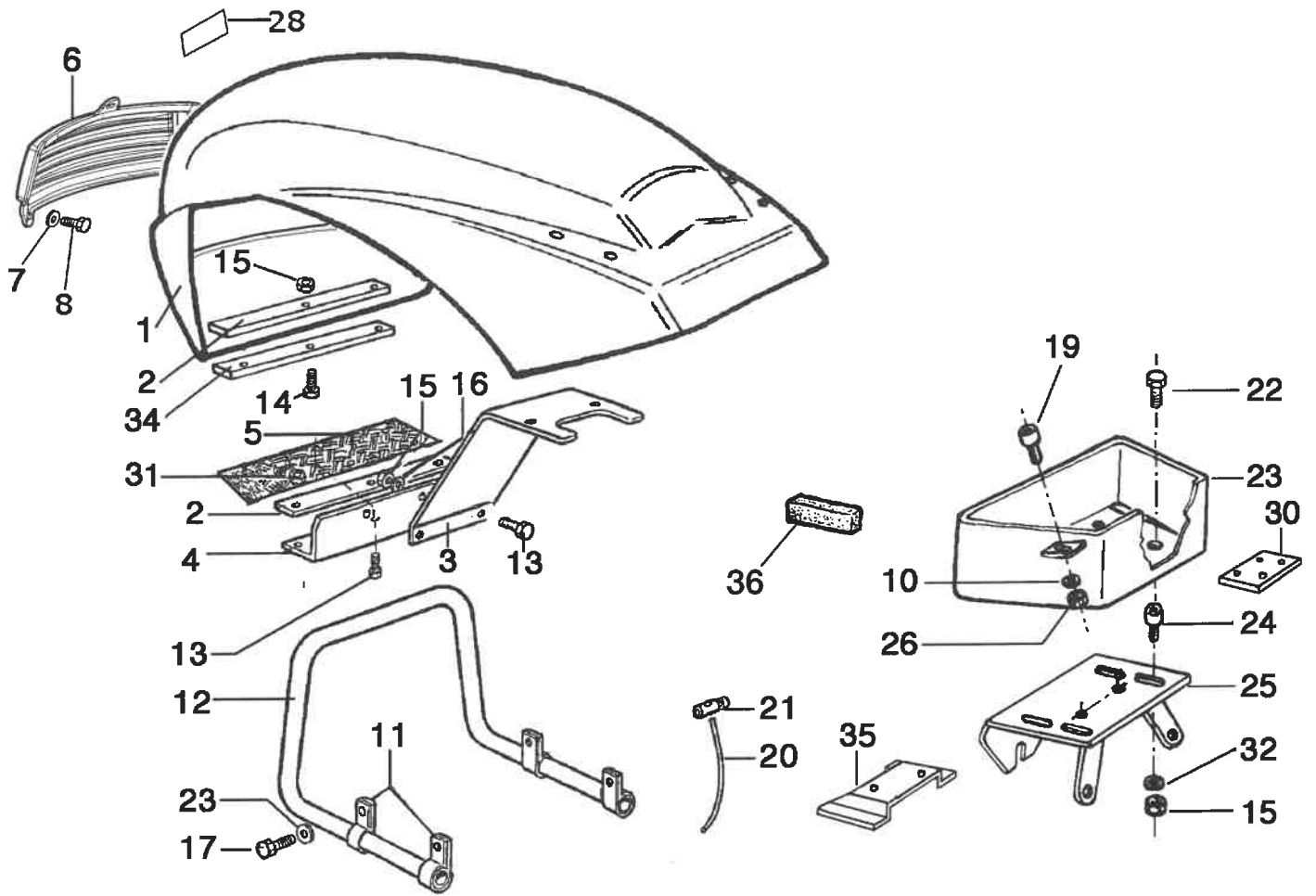


Illustration Hood w/o headlight (Single-disc clutch version)

Ref.Nu	Qty	Part number	Description	Validity from	Validity till	Notes	Bulletin
1	1	68330235	Hood			3LD510; 15LD440; CH440;	
2	1	68320219R	Main bord			Rosso; Red Grigio; Grey	
3	1	68330165	Support			3LD510; Grigio; Grey	
3	1	68330048	Support			LGA340; Grigio; Grey	
4	1	68330168	Support			6LD400/435; Grigio; Grey	
5	1	K4305290	Tire				
6	1	68330206AR	Grill				
7	1	3819009R	Washer				
8	1	301000042R	Screw				
10	1	YN4365400	Washer				
11	1	K4301980	Band				
12	1	68320049	Bumper			6LD360; 6LD400; 6LD435;	
12	1	68330166	Bumper			LGA340; ATC340; Grigio; Grey	
13	1	3806035R	Screw				
14	1	3906016R	Screw				
15	1	034000013R	Nut				
16	1	YN4359300	Grower				
17	1	3906066R	Screw				
19	1	YF0752159	Silent block				
20	1	K8923007	Rope				
21	1	YN5901000	Clamp				
22	1	K8715002	Screw				
23	1	68340009	Battery casing			6LD; Grigio; Grey	
24	1	YK3400710	Silent block				
25	1	K4807002	Support				
26	1	320000028R	Nut				
28	1	68320084R	Mark			Su richiesta; Upon request	
30	1	K4807110	Plate				
31	1	3914006R	Nut				
32	1	YN4358110	Washer				
34	1	F1292170	Tire				
35	1	68330161	Support			3LD510; Grigio; Grey	
36	1	F1152604	Gasket				

Illustration Hood with headlight

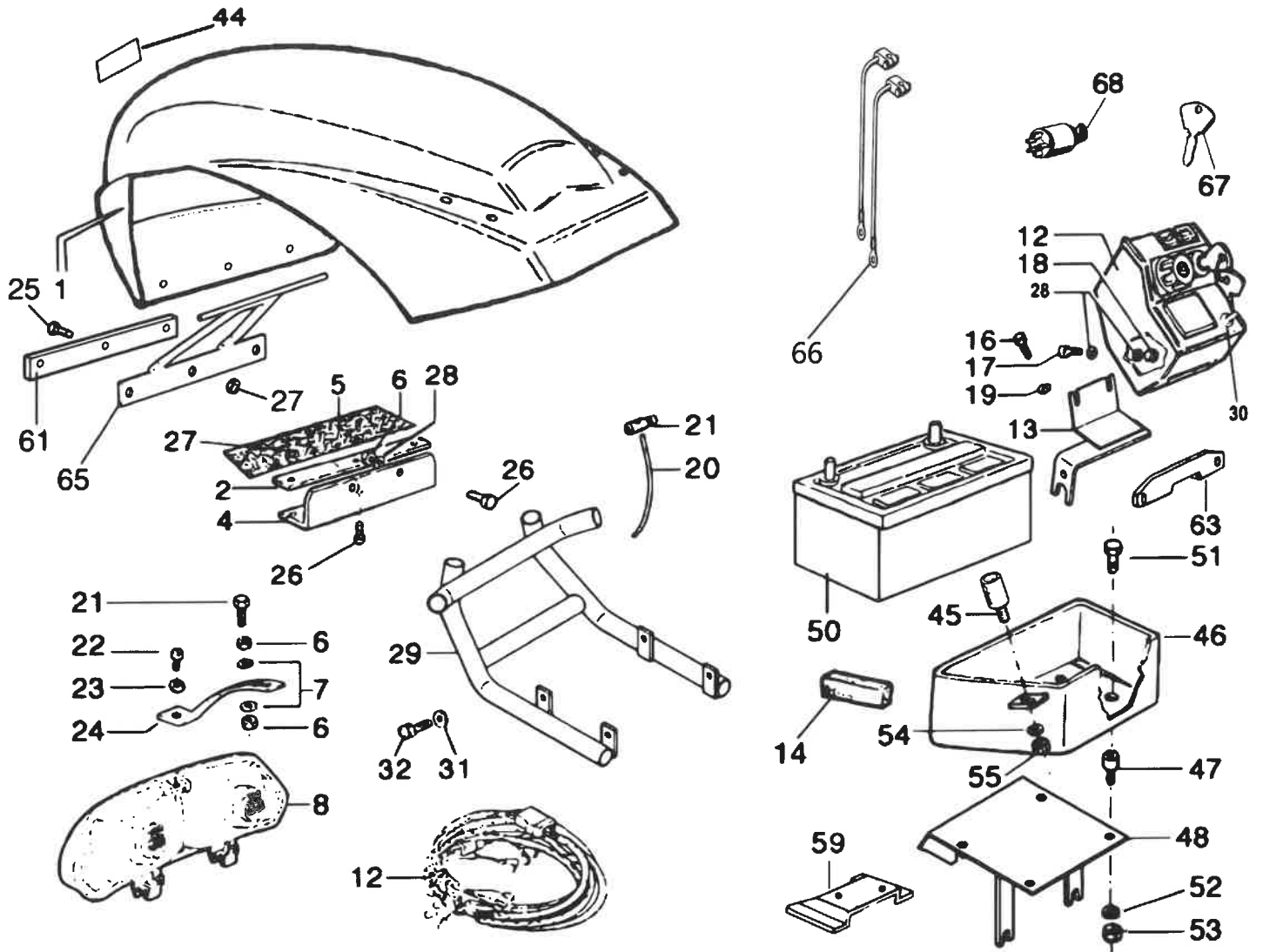


Illustration Hood with headlight

Ref.Nu	Qty	Part number	Description	Validity from	Validity till	Notes	Bulletin
1	1	68330072R	Hood			3LD510 AEI; 15LD440 AEI;	
2	1	68320219R	Main bord			Rosso; Red Grigio; Grey	
4	1	68330180CR	Support			3LD510 AE; Grigio; Grey	
5	1	K4305290	Tire				
6	1	034000013R	Nut				
7	1	3916006R	Washer				
8	1	68330279	Headlamp				
12	1	68330141A	Electric starter			Avviamento elettrico e	
13	1	68330182	Support			Grigio; Grey	
14	1	F1152604	Gasket			and lighting, for	
16	1	3806063R	Screw				
17	1	3906045R	Screw				
18	1	3914006R	Nut				
19	1	3819013R	Grower				
20	1	K4804570	Cable				
21	1	3906045R	Screw				
22	1	N6192830	Screw				
23	1	3916005R	Sealing washer				
24	1	F1362144	Main board				
25	1	N6212700	Screw				
26	1	3806035R	Screw				
27	1	YN0400530	Grommet				
28	1	YN4359300	Grower				
29	1	68320224	Support			3LD510 AEI; 15LD 440 AEI	
29	1	68330152CR	Support			3LD510 AE; Grigio; Grey	
30	1	N2543610	Switch				
31	1	3916008R	Washer				
32	1	3906066R	Screw				
44	1	68320084R	Mark			Su richiesta; Upon request	
45	1	YF0752159	Silent block				
46	1	68330178AR	Battery casing			15LD; LGA340; 3LD510;	
46	1	68330178BR	Battery casing			L100; Grigio; Grey; COMPATIBILE CON BATTERIA	
47	1	YK3400710	Silent block				
48	1	68330032BR	Support			Battery 68330114 L100; 15LD315/350; Grigio;	
48	1	K4806860	Support			15LD315; 15LD350	
48	1	K4807002	Support			6LD	
50	1	68330114R	Battery		15/03/2022	3LD510; 3LD510AE;	
50	1	68330338	Battery	16/03/2022; Matricola		15LD440; 25LD330; 25LD425	
51	1	K8715002	Screw				
52	1	YN4358110	Washer				
53	1	034000013R	Nut				
54	1	YN4365400	Washer				
55	1	320000028R	Nut				
59	1	68330161	Support			3LD510; Grigio; Grey	

Illustration Hood with headlight

Ref.Nu	Qty	Part number	Description	Validity from	Validity till	Notes	Bulletin
61	1	F1292170	Tire				
63	1	68330164	Support			3LD510; Grigio; Grey	
65	1	F1362145	Support				
66	2	68330138R	Battery cables			cablaggio completo per	
67	1	68130581R	Key				
68	1	YN2540020	Switch				

Illustration Injection hood (Multi-disc clutch version)

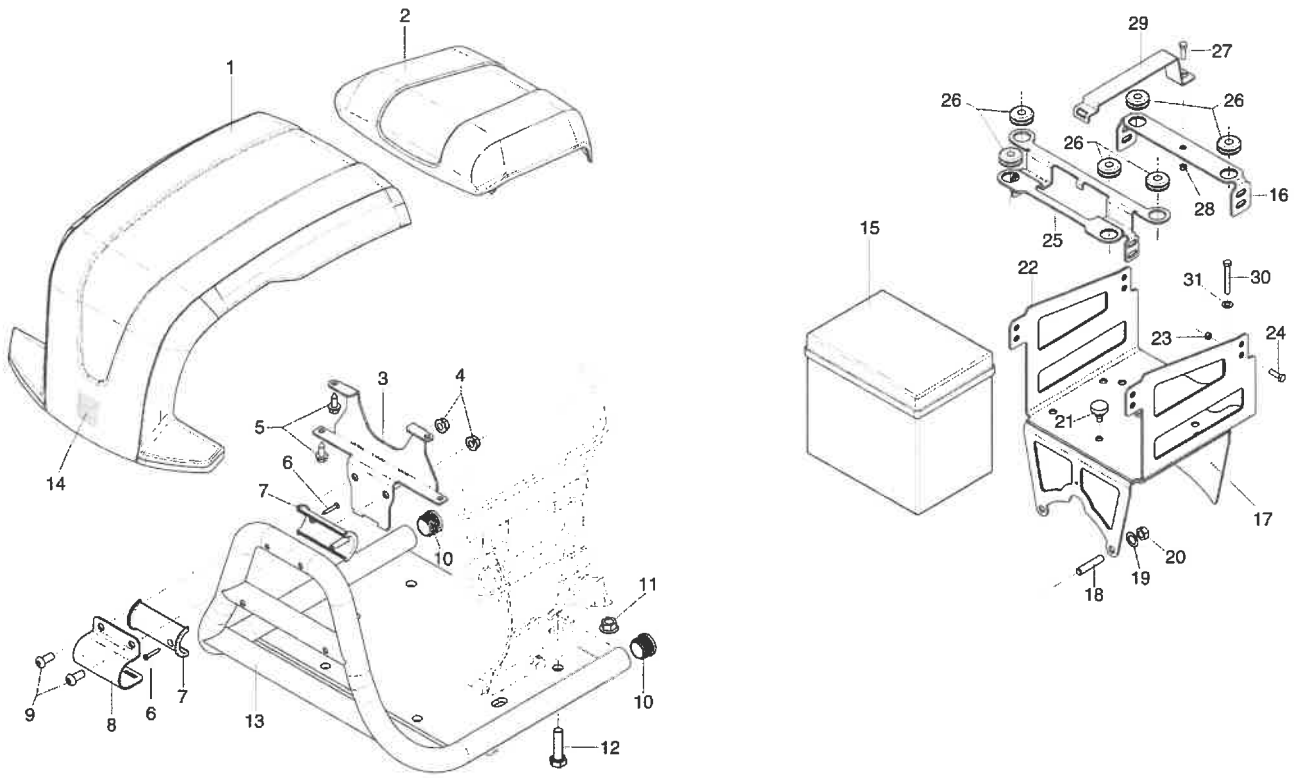


Illustration Injection hood (Multi-disc clutch version)

Ref.Nu	Qty	Part number	Description	Validity from	Validity till	Notes	Bulletin
1	1	68350119R	Hood				
2	1	68350189R	Hood				
3	1	68320281AR	Mount				
4	2	3933032R	Nut				
5	4	YN6243654	Screw				
6	2	3960007R	Screw				
7	2	68320283AR	Bushing				
8	1	68320289AR	Mount				
9	2	YN6255100	Screw				
10	2	YN5267400	Cap				
11	4	3914001R	Nut				
12	4	YN6335900	Screw				
13	1	68320265AR	Engine support				
13	1	68320255R	Engine support			Motore / Engine Lombardini	
14	1	68250018R	Plate NIBBI				
15	1	68330338	Battery				
16	1	68320278R	Bracket				
17	1	68330250AR	Support				
18	4	YN3815300	Stud				
19	4	YN4365400	Washer				
20	4	YN1458020	Nut				
21	6	68130133R	Cap				
22	1	68330251AR	Support				
23	8	004400959R	Nut				
24	8	3906036R	Screw				
25	1	68320277R	Bracket				
26	6	68350114R	Support (Hood)				
27	2	3906036R	Screw				
28	1	004400959R	Nut				
29	1	68330330R	Band				
30	1	310000009R	Screw				
31	1	3918005R	Washer				

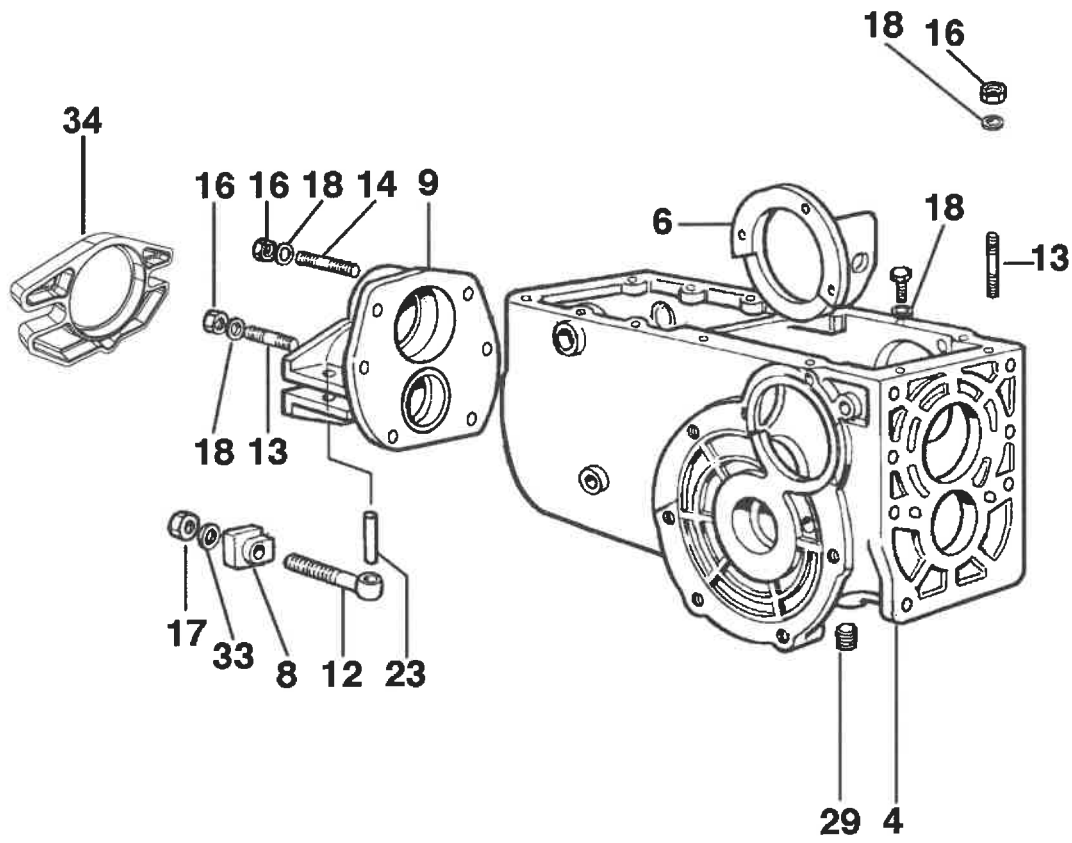


Illustration Speed-change gear box

Ref.Nu	Qty	Part number	Description	Validity from	Validity till	Notes	Bulletin
4	1	K4306367	Speed-change gear box				
6	1	K4300850C	Support				
8	1	YK4302510	Support				
9	1	YK1100420T	Support				
12	1	YK1100980	Screw				
13	2	N3814800	Stud				
14	1	K8233011	Stud				
16	3	YN1458000	Nut				
17	1	N1469200	Nut				
18	4	YN4365400	Washer				
23	1	K8503042R	Pin				
29	1	K8536004	Cap				
33	1	YN4387700	Washer				
34	1	-	Not available for this product				

Illustration Single-disc clutch

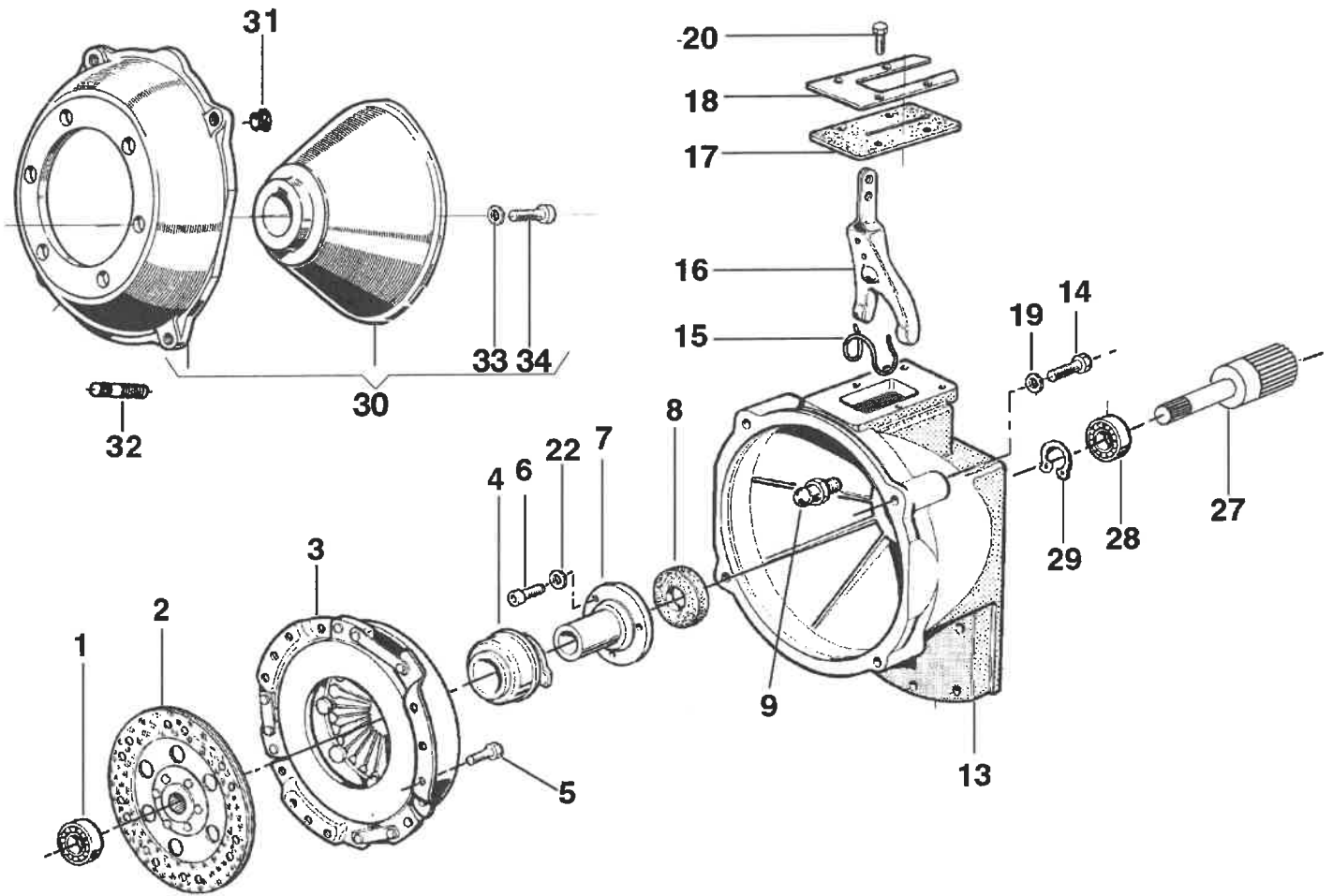


Illustration Single-disc clutch

Ref.Nu	Qty	Part number	Description	Validity from	Validity till	Notes	Bulletin
1	1	YN1257600	Bearing				
2	1	N1911220AR	Disk				
3	1	N1910920AR	Flange				
4	1	YN1911300A	Sleeve				
5	1	005000901	Screw				
6	1	006000624	Screw				
7	1	F1150001C	Support				
8	1	YN0207300	Seal ring				
9	1	N1901500B	Pin				
13	1	K4306280	Clutch drum				
14	1	3806094R	Screw				
15	1	N1901200A	Spring				
16	1	N1911400A	Lever				
17	1	YF1060007	Gasket				
18	1	68330225R	Sheath				
19	1	YN4375500	Washer				
20	1	3806035R	Screw				
22	1	3916005R	Sealing washer				
27	1	68330095R	Shaft				
28	1	YN1272501	Bearing				
29	1	YN0118500	Seeger				
30	1	68330313	Flange kit				
31	1	K8532007	Cap			CH440; 15LD440	
32	1	YN3815300	Stud			CH440; 15LD440	
33	1	YN4371100	Washer			CH440; 15LD440	
34	1	3801048	Screw			CH440; 15LD440	

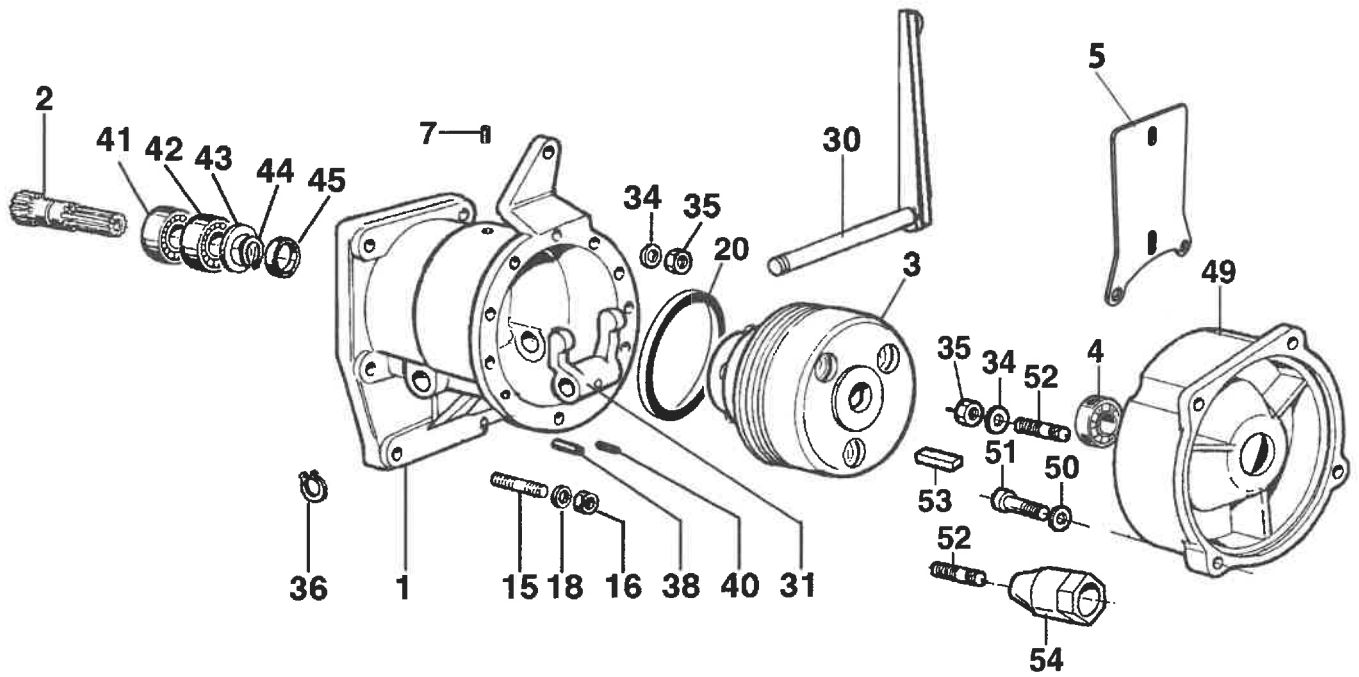


Illustrazione Frizione multidisco

Rif.Nr.	Q.tà	Codice articolo	Descrizione	Validità da	Validità a	Note	Bollettino
1	1	68330103	Campana				
2	1	68330098R	Albero				
3	1	68320122R	Frizione a dischi multipli			CH395; GX270; K1100H	
3	1	68320124R	Frizione a dischi multipli			Motori / engines: GX340; GX390;KD15350; KD15440	
3	1	68320317R	Frizione a dischi multipli			K9000HD	
3	1	68320118R	Frizione a dischi multipli			Solo motori Lombardini; albero conico; only	
4	1	N1289300R	Cuscinetto			Honda GX340; CH 395	
5	1	68320299R	Supporto				
7	1	YN6203600	Vite				
15	1	YN3815300	Prigioniero				
16	1	YN1458000	Dado				
18	1	YN4365400	Rodella				
20	1	68330102AR	Anello				
30	1	F1271632	Kit perno+leva				
31	1	YF1271602	Forcella				
34	1	3916008R	Rondella				
35	1	320000028R	Dado				
36	1	3024014R	Seeger				
38	1	YN5117300	Spina				
40	1	N5104000	Spina				
41	1	N1259200	Cuscinetto				
42	1	N1259400	Cuscinetto				
43	1	N5002650	Spessore				
44	1	YN0112700	Seeger				
45	1	N0205850	Anello				
49	1	68320117AR	Flangia			15LD440	
50	1	YN4376400	Rondella				
51	1	N6309800	Vite				
51	1	YN6309790	Vite			Honda GX340	
52	1	YN3815300	Prigioniero			15LD440	
52	1	YN3812500	Prigioniero			Honda GX270	
53	1	N0648090	Linguetta			Honda GX340	
54	1	YF1290007B	Cono frizione			15LD440	

Illustration Gears (Gearbox)

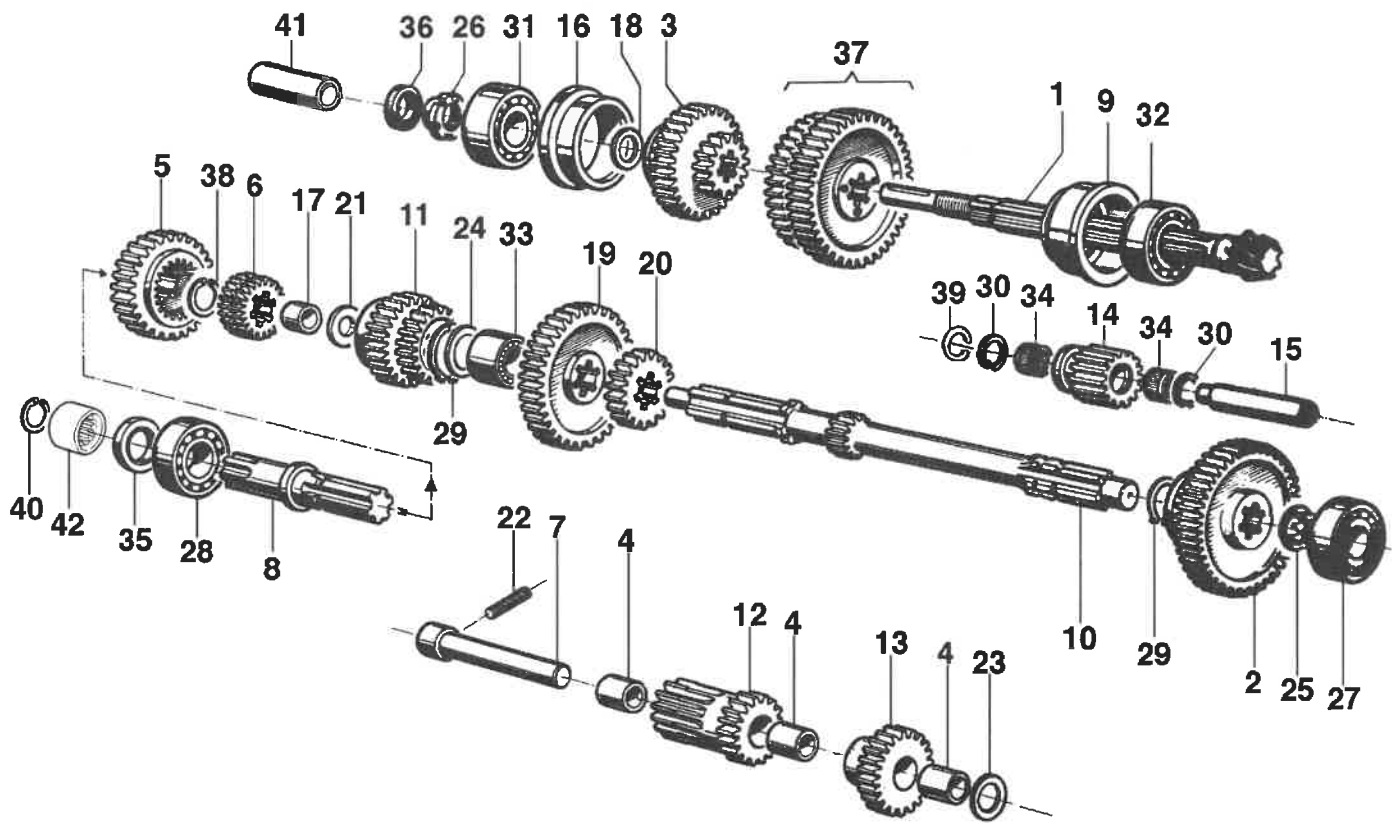


Illustration Gears (Gearbox)

Ref.Nu	Qty	Part number	Description	Validity from	Validity till	Notes	Bulletin
1	1	K4303540	Rim			Coppia conica K4303540; Bevel gear K4303540	
2	1	68330097AR	Gear				
3	1	68330203R	Gear				
4	1	K4301260	Bushing				
5	1	K4301280	Idler gear				
6	1	YK4301290	Gear				
7	1	K4302050R	Shaft				
8	1	YK4301330	Shaft				
9	1	K1100310	Bushing				
10	1	68330200R	Shaft				
11	1	YK4301710	Gear				
12	1	K4301570	Gear				
13	1	K4301580R	Gear				
14	1	68330096R	Idler gear				
15	1	YK4306760	Pin				
16	1	K4301340	Bushing				
17	1	K1100390	Bushing				
18	1	K1101020	Ring				
19	1	68330204R	Gear				
20	1	68330202R	Gear				
21	1	K1200180	Washer				
22	1	N6271400	Screw				
23	1	K4303760	Spacer				
24	1	K8491033	Thickness				
25	1	K8491024	Thickness				
26	1	K7544001	Ring nut				
27	1	N1264600	Bearing				
28	1	YN1270701	Bearing				
29	1	YN0118500	Seeger				
30	2	YK7009001	Ring				
31	1	N1265800	Bearing				
32	1	N1270810	Bearing				
33	1	K7252013	Bearing				
34	2	028200023R	Roller cage				
35	1	N0209200	Ring				
36	1	K7032068	Ring				
37	1	68330201R	Double gear				
38	1	K7011001	Ring				
39	1	N0109900	Ring				
40	1	028200019	Ring				
41	1	F1400839	Guard				
42	1	YK1101080	Joint				

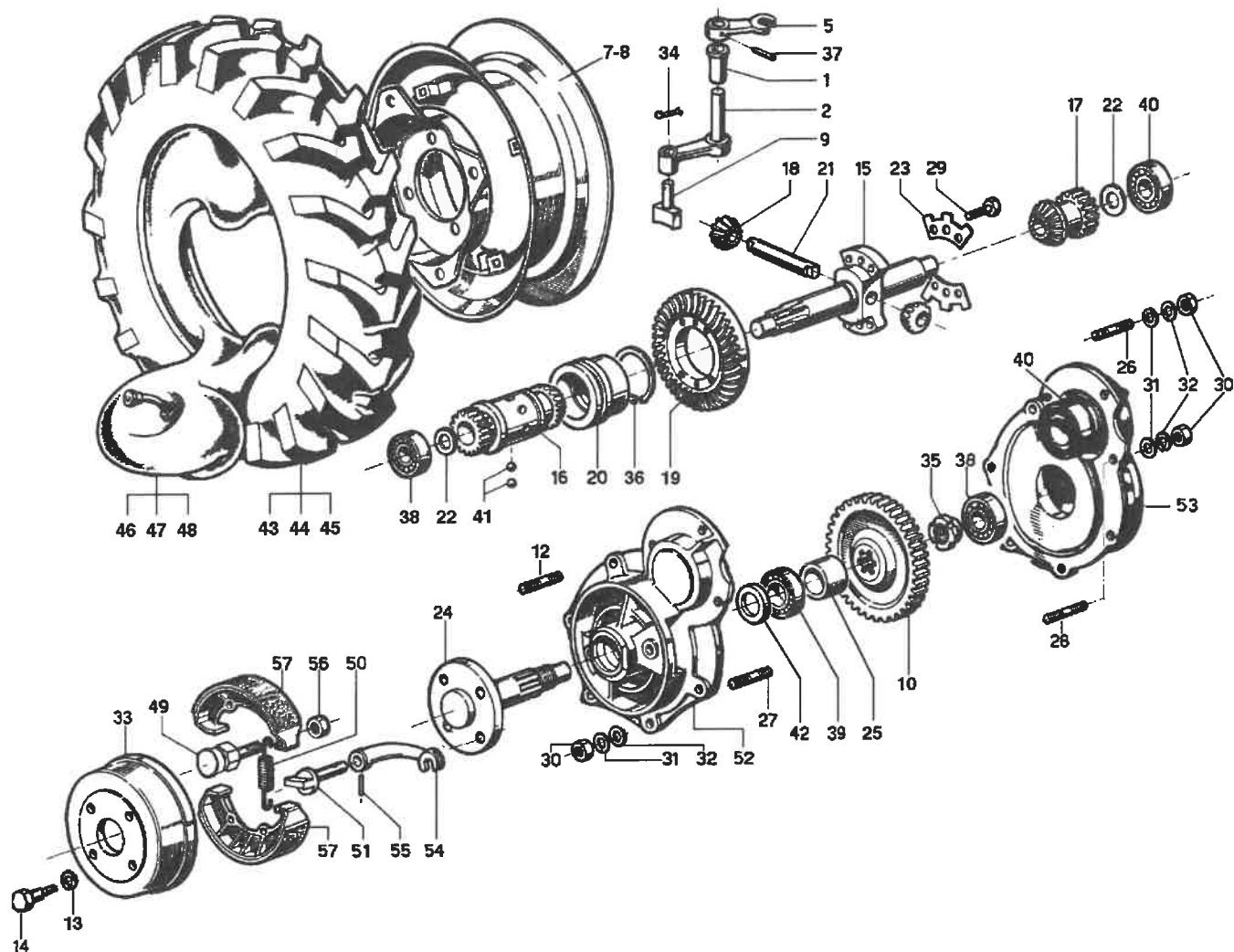


Illustration Axle, brakes and wheels

Ref.Nu	Qty	Part number	Description	Validity from	Validity till	Notes	Bulletin
1	1	YK4800320	Tube				
2	1	F1361616	Rod				
5	1	K4800360	Lever				
7	1	69200100	Rim			5.00-12"	
7	1	69200101R	Rim			6.5/80-12"	
8	1	69200099R	Rim			5.00-10"	
8	1	69200107R	Rim			6.5/80-15"	
9	1	K4301640	Control				
10	1	K1700700R	Gear				
12	1	N3814800	Stud				
13	1	YN4390600	Washer				
14	1	N6368550	Screw				
15	1	K1200710	Shaft				
16	1	K1200720	Gear				
17	1	K1200730	Gear				
18	1	K1200740R	Gear				
19	1	K4303540	Rim			Coppia conica K4303540;	
20	1	K1200760	Bushing			Bevel gear K4303540	
21	1	K1200770	Piston pin				
22	1	K8491018	Washer				
23	1	K1200800	Plate				
24	1	F1360200	Axle shaft				
25	1	K1700710	Spacer				
26	1	K8231003	Stud				
27	1	K8233011	Stud				
28	1	YN3815300	Stud				
29	1	N6262100	Screw				
30	1	YN1458000	Nut				
31	1	3819013R	Grower				
32	1	3916008R	Washer				
33	1	YN2382700	Cable reel				
34	1	K7231001	Cotter pin				
35	1	N2102100	Ring nut				
36	1	N0135300	Seeger				
37	1	YN5115000	Elastic pin				
38	1	N1259400	Bearing				
39	1	N1274500	Bearing				
40	1	K7244004	Bearing				
41	1	YN4743200	Ball				
42	1	K7033004	Ring				
43	1	YN4853500A	Tire			5.00-10"	
44	1	N4853800	Tire			5.00-12"	
45	1	N4856400	Tire			6.5/80-15"	
45	1	N4860600A	Tire			6.5/80-12"	

Illustration Axle, brakes and wheels

Ref.Nu	Qty	Part number	Description	Validity from	Validity till	Notes	Bulletin
46	1	YN4882500	Inner tube			5.00-10"	
47	1	N4883200	Inner tube			5.00-12"	
48	1	N4888200	Inner tube			6.5/80-12"	
48	1	N4884700	Inner tube			6.5/80-15"	
49	1	YF1360201A	Pin				
50	1	YN3105100	Spring				
51	1	F1360202	Pin			DX; RIGHT	
51	1	F1360203	Pin			SX; LEFT	
52	1	YF1360205	Cover			DX; RIGHT	
53	1	F1360206R	Cover			SX; LEFT	
54	1	K0104860	Lever				
55	1	YN5117300	Pin				
56	1	N1474600	Nut				
57	1	YN2362700	Brake shoe				

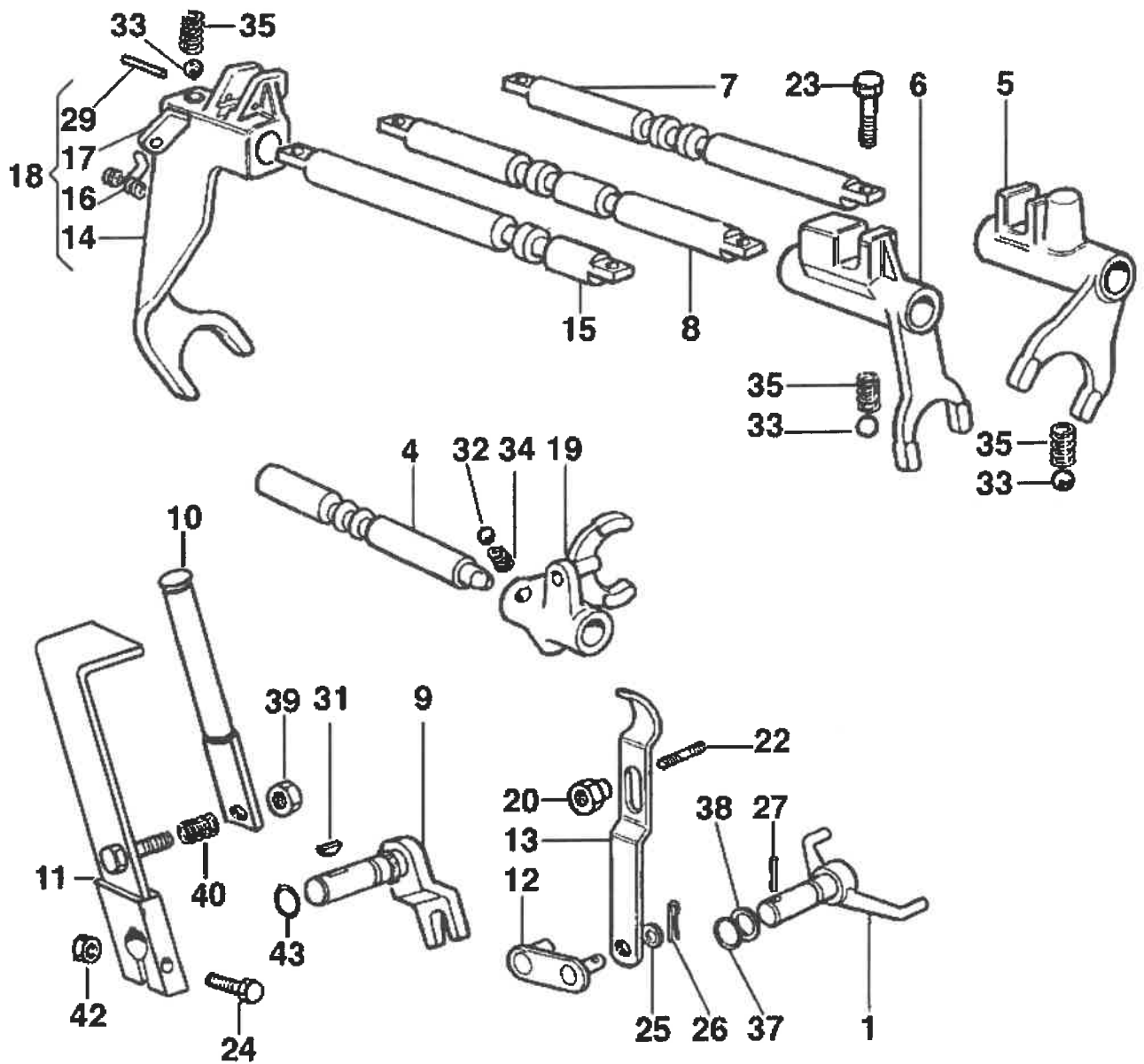


Illustration Internals controls

Ref.Nu	Qty	Part number	Description	Validity from	Validity till	Notes	Bulletin
1	1	YK4300940	Fork				
4	1	K4301300	Pin				
5	1	K4301360	Yoke				
6	1	K4301370R	Yoke				
7	1	K4301390	Pin				
8	1	K4301400	Pin				
9	1	YK4301460	Fork				
10	1	F1361620	Lever				
11	1	F1361619A	Control				
12	1	YK4301540A	Lever				
13	1	K4301550	Lever extension				
14	1	K4301590R	Yoke				
15	1	K4301600	Pin				
16	1	K4301650	Spring				
17	1	YK4301660	Insert				
18	1	K4301670	Clip				
19	1	K1200250R	Yoke				
20	1	K1200360R	Nut				
22	1	K8233001	Stud				
23	1	N6254500R	Screw				
24	1	3806076R	Screw				
25	1	3916008R	Washer				
26	1	K7231001	Cotter pin				
27	1	YN5113800	Pin				
29	1	N5115600	Elastic pin				
31	1	N0643000	Key				
32	1	YN4742100	Ball				
33	1	YN4743200	Ball				
34	1	K7903002	Spring				
35	1	YK7903003	Spring				
37	1	N0305600	O-ring				
38	1	YN5001700	Washer				
39	1	YN1458800	Nut				
40	1	YN3111500	Spring				
42	1	3914008R	Nut				
43	1	YN0305800	Gasket				

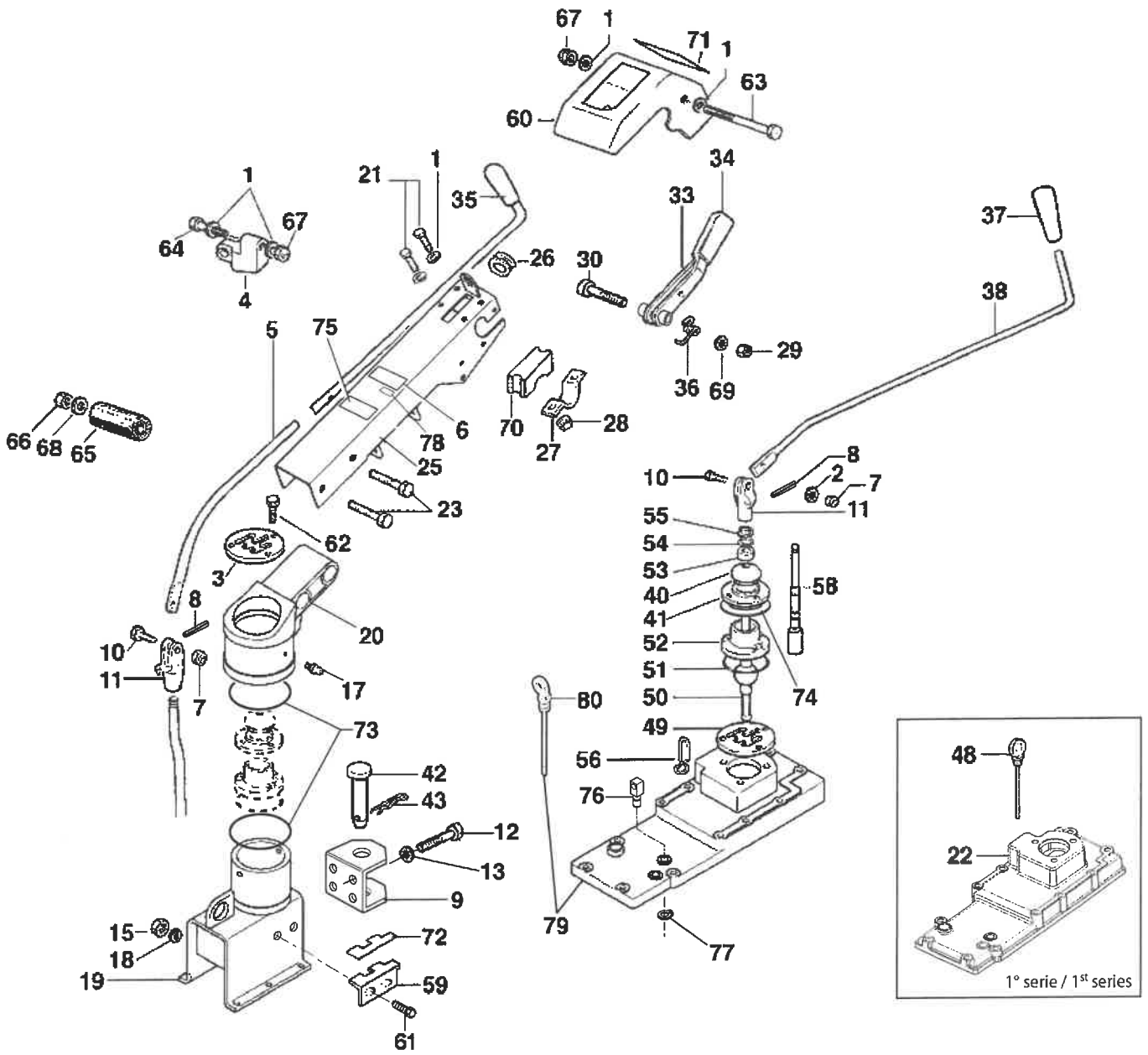


Illustration Handlebar rod and connections

Ref.Nu	Qty	Part number	Description	Validity from	Validity till	Notes	Bulletin
1	1	3916008R	Washer				
2	1	YK8401029	Washer				
3	1	F1361623	Indicator				
4	1	YF1255009D	Support				
5	1	YF1361622	Control rod				
6	1	68250018R	Plate NIBBI			Su richiesta; Upon request	
7	1	3914008R	Nut				
8	1	YN5113800	Pin				
9	1	YF1364706	Towing hitch				
10	1	3906016R	Screw				
11	1	K0501070	Bushing				
12	1	YN6322000	Screw				
13	1	3819014R	Grower				
15	1	3914010R	Nut				
17	1	58040180R	Nipple				
18	1	3916010R	Washer				
19	1	68330175ER	Column support			Grigio; Grey	
20	1	68330043FR	Grip-end handlebar rod			Rosso; Red	
21	1	YN6289250	Screw				
22	1	F1360800	Cover		SN B550090000 - SN -----		BT12-011-05/20
23	1	N6411100	Screw				
25	1	68330045CR	Handlebar rod			Rosso; Red	
26	1	YK2203010	Grommet				
27	1	YF1151601	Clamp				
28	1	YN1458800	Nut				
29	1	3914014R	Nut				
30	1	N6363500	Screw				
33	1	F1361614	Lever				
34	1	YN2840480	Knob				
35	1	YN3753600	Knob				
36	1	YF1291634B	Spring				
37	1	K8211007	Grip				
38	1	F1361612R	Control rod				
40	1	K2201420	Cap				
41	1	K4301440R	Guard cap				
42	1	N0803500AR	Piston pin				
43	1	YN5148800	Split pin				
48	1	K4304320A	Rod		SN B550090000 - SN -----		BT12-011-05/20
49	1	F1360801	Selector switch (Gear-shift lever)				
50	1	F1361601	Lever				
51	1	K7035028	O-ring				
52	1	K1200260	Cover				
53	1	K0105000R	Valve				
54	1	YK8401029	Washer				

Illustration Handlebar rod and connections

Ref.Nu	Qty	Part number	Description	Validity from	Validity till	Notes	Bulletin
55	1	3024015R	Seeger				
56	1	F1271626	Slide				
58	1	F1361604	Lever				
59	1	F1361621	Selector switch				
60	1	68330160	Upper cover			Grigio; Grey	
61	1	YN6247400	Screw				
62	1	3901062R	Screw				
63	1	N6307900	Screw				
64	1	3806076R	Screw				
65	1	YN4924250	Silent block				
66	1	YN1470500	Nut				
67	1	3914010R	Nut				
68	1	N4384360	Washer				
69	1	3916010R	Washer				
70	1	YF1181646	Support				
71	1	68330238R	Mark			Su richiesta; Upon request	
72	1	68330239R	Mark			Su richiesta; Upon request	
73	1	N0315950	O-ring				
74	1	F1361630	Washer				
75	1	68350211R	Label (Ergonomic handling system)				
76	1	F1361615	Retainer (Sheath)				
77	1	3024012R	Snap ring				
78	1	68330222	Mark				
79	1	68330310	Set cover	SN B550090001 - SN			BT12-011-05/20
80	1	68330298R	Rod	SN B550090001 - SN B740090001 (Euro 5)			BT12-011-05/20

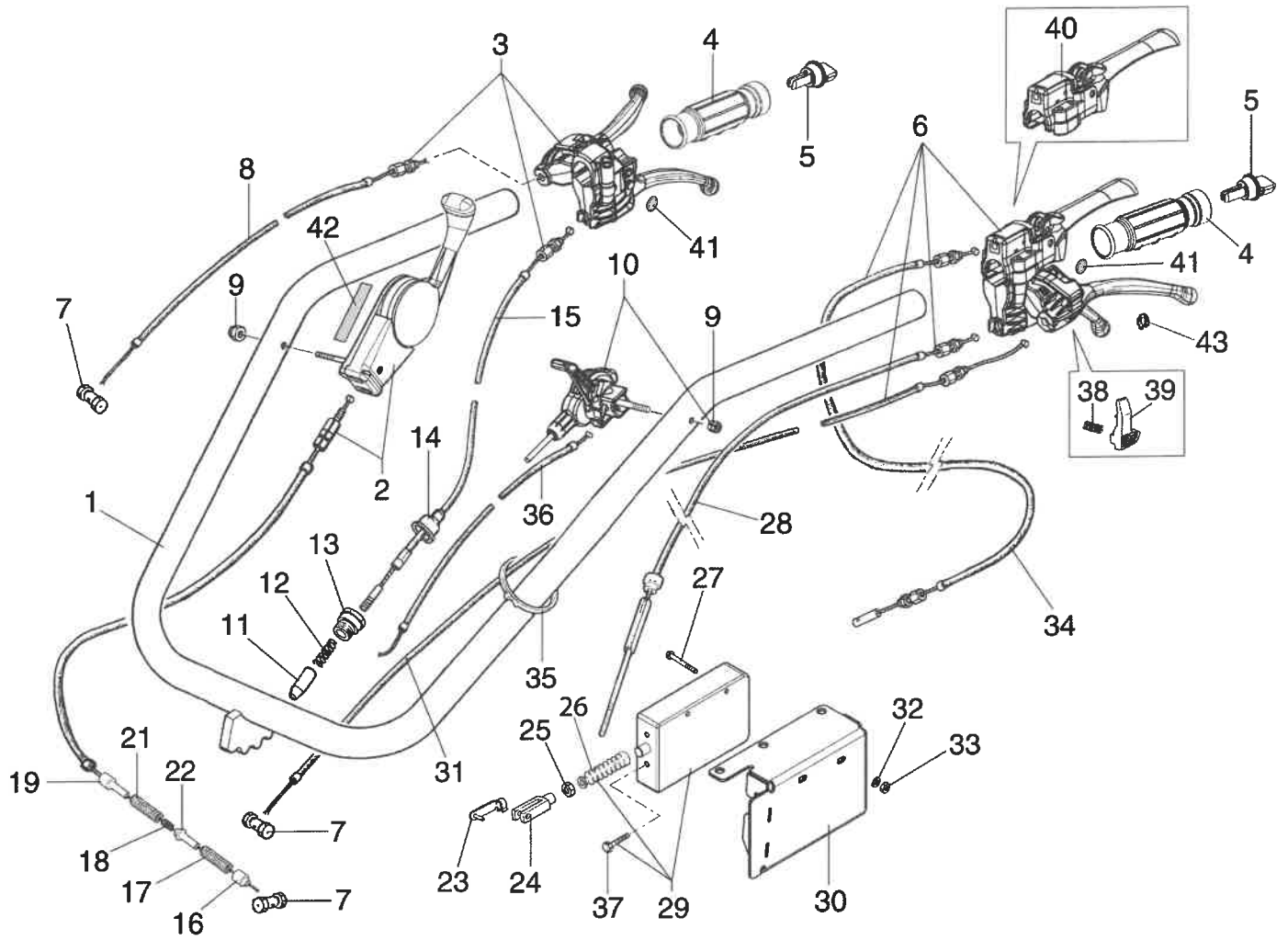


Illustration Handlebar and controls (ver. single-disc clutch)

Ref.Nu	Qty	Part number	Description	Validity from	Validity till	Notes	Bulletin
1	1	68330216BR	Handlebar				
2	1	68330214BR	Lever (Complete)			Comando blocco	
3	1	68330213AR	Lever (Complete)			Comando rotazione sterzo e freno dx ; Steering rotation control and right brake	
4	2	68320126R	Knob				
5	2	68320127	Extension				
6	1	68330209R	Lever (Complete)			Comando frizione e freno sx	
7	3	YN5901500	Clamp				
8	1	68330244R	Bowden cable			Trasmissione freno ; Brake	
9	2	3914006R	Nut				
10	1	3044024AR	Switch/Throttle			be matched p/n.F1370413	
11	1	68330226R	Shutter				
12	1	YN3109400	Spring				
13	1	YK3502660	Cap				
14	1	YK3503090	Guard				
15	1	68330243R	Bowden cable			Trasmissione rotazione sterzo ; Steering rotation cable. Da abbinare al	
16	1	YK4300680	Valve				
17	1	YK7903021	Spring				
18	1	YK7903004	Spring			be matched p/n.F1370413 (pic.43)	
19	1	YK1101850	Spring holder				
21	1	YK7903018	Spring				
22	1	YK4300670	Valve				
23	1	YK8197002	Pin				
24	1	YN6003010	Clip				
25	1	034000013R	Nut				
26	1	68330207R	Device DFI				
27	2	3801017R	Screw				
28	1	68330248R	Bowden cable			Trasmissione frizione ; Clutch cable. Da abbinare al cod.F1370413 (rif.43): To	
29	1	68330207R	Device DFI				
30	1	68330223AR	Guard				
31	1	68330244R	Bowden cable			(pic.43) Trasmissione freno ; Brake	
32	1	3918005R	Washer				
33	1	3980019R	Nut			be matched p/n.F1370413	
34	1	68330247R	Bowden cable			Trasmissione frizione ; Clutch cable	
35	5	YN1762150	Band				
36	1	68330187R	Transmission (Bowden cable)				
37	1	68330207R	Device DFI				
38	1	68310074R	Spring				
39	1	68310073R	Button			Sx ; Left	
39	1	68310138R	Button			Dx ; Right	
40	1	68330249R	Lever			Leva frizione ; Clutch lever	
41	2	68320273R	Mark				
42	1	68350196R	Mark				
43	1	F1370413	Clamp				

Illustration Handlebar and controls (ver. multi-disc clutch)

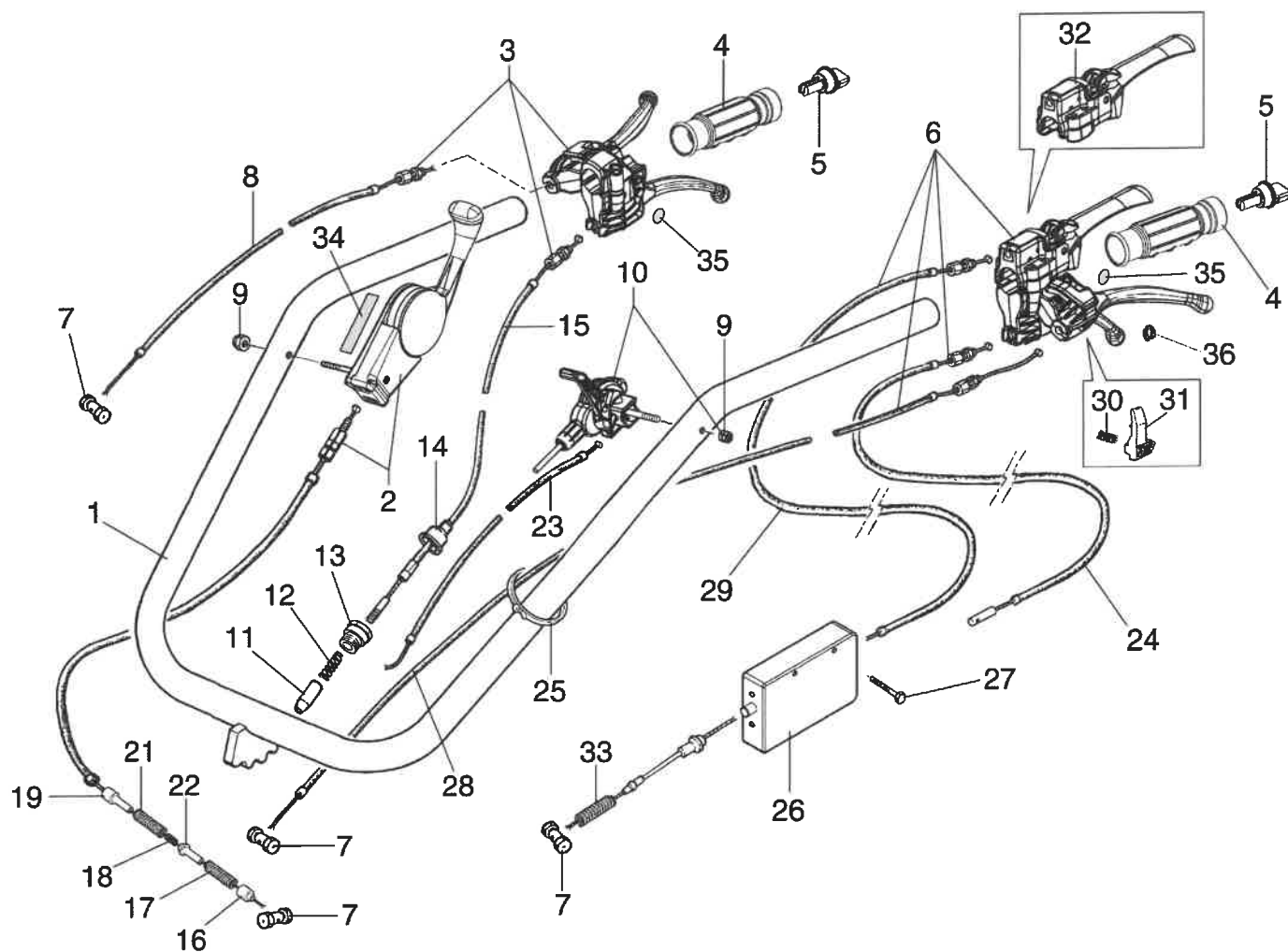


Illustration Handlebar and controls (ver. multi-disc clutch)

Ref.Nu	Qty	Part number	Description	Validity from	Validity till	Notes	Bulletin
1	1	68330216BR	Handlebar				
2	1	68330214BR	Lever (Complete)			Comando blocco	
3	1	68330213AR	Lever (Complete)			Comando rotazione sterzo e freno dx ; Steering rotation control and right brake	
4	2	68320126R	Knob				
5	2	68320127R	Extension				
6	1	68330208AR	Lever (Complete)			Comando frizione e freno sx	
7	4	YN5901500	Clamp				
8	1	68330244R	Bowden cable			Trasmissione freno ; Brake	
9	2	3914006R	Nut				
10	1	3044024AR	Switch/Throttle			Be matched p/n.F1370413	
10	1	3044011R	Set (Cable Motor-stop - Fuel control - Button)			CH395; Honda GX340	
11	1	68330226R	Shutter				
12	1	YN3109400	Spring				
13	1	YK3502660	Cap				
14	1	YK3503090	Guard				
15	1	68330243R	Bowden cable			Trasmissione rotazione	
16	1	YK4300680	Valve				
17	1	YK7903021	Spring			cod.F1370413 (rif.36); To	
18	1	YK7903004	Spring				
19	1	YK1101850	Spring holder				
21	1	YK7903018	Spring				
22	1	YK4300670	Valve				
23	1	68330187R	Transmission (Bowden cable)			Diesel	
24	1	68330245AR	Bowden cable			Trasmissione frizione ;	
25	5	YN1762150	Band				
26	1	68350179R	Device EHS			be matched p/n.F1370413	
27	2	3801017R	Screw				
28	1	68330244R	Bowden cable			Trasmissione freno ; Brake	
29	1	68330246R	Bowden cable			Trasmissione EHS ; EHS cable	
30	1	68310074R	Spring			be matched p/n.F1370413	
31	1	68310073R	Button			Sx ; Left	
31	1	68310138R	Button			Dx ; Right	
32	1	68330249R	Lever			Leva frizione ; Clutch lever	
33	1	68310058	Spring				
34	1	68320273R	Mark				
35	2	68350196R	Mark				
36	1	F1370413	Clamp				

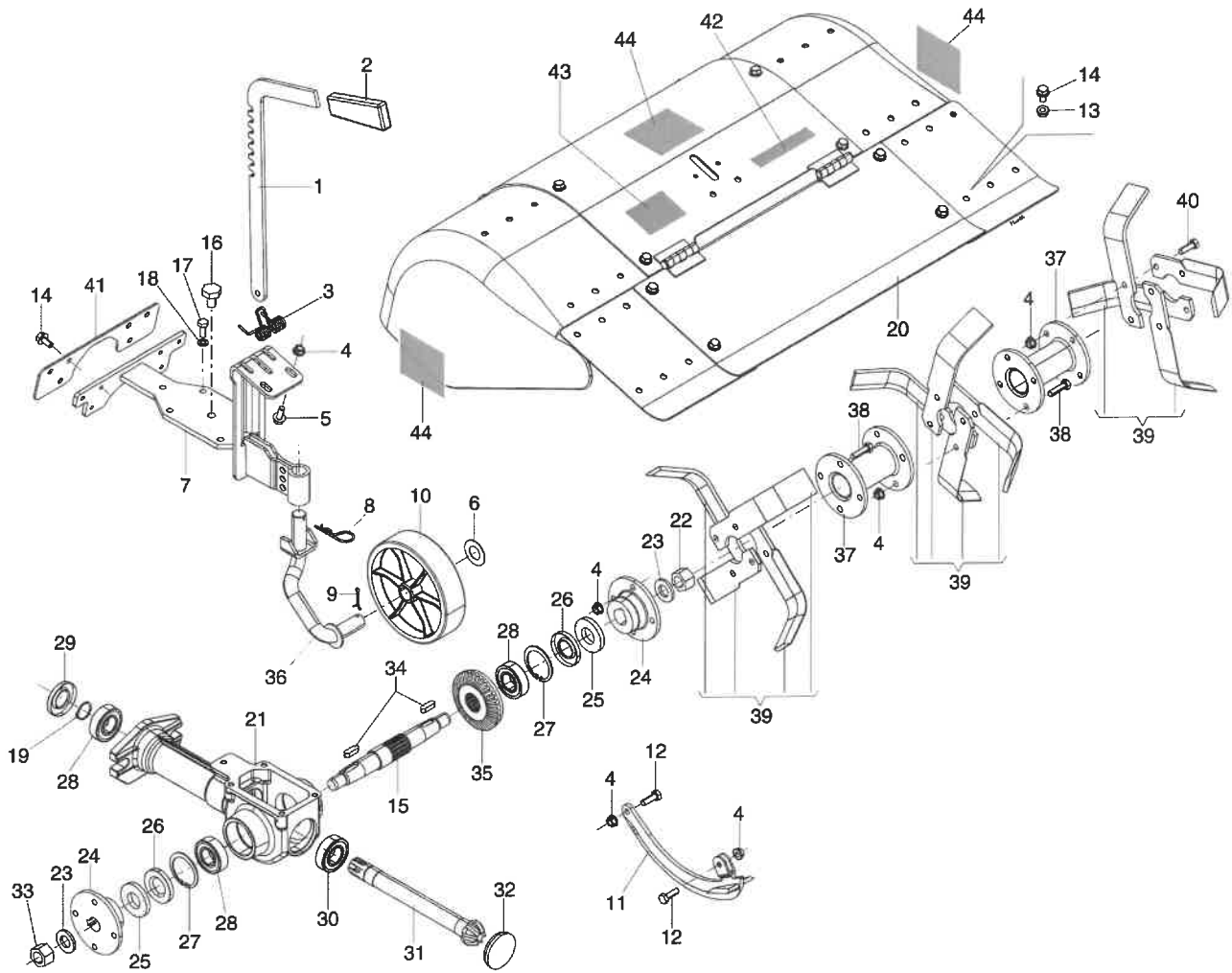


Illustration 80 cm rotor with adjustable cowling and fixed connection 69219067

Ref.Nu	Qty	Part number	Description	Validity from	Validity till	Notes	Bulletin
1	1	69210262	Rod				
2	1	N2840490	Knob				
3	1	69210102R	Spring				
4	28	YN1457570	Nut				
5	2	3906070R	Screw				
6	1	N5003250	Washer				
7	1	69210248R	Cover				
8	1	N1054500	Cotter pin				
9	1	YN1060200	Cotter pin				
10	1	YK1102480	Support wheel				
11	1	69210240R	Cutter tool				
12	10	3806067R	Screw				
13	12	3933032R	Nut				
14	12	3933034AR	Screw				
15	1	YF0013531	Shaft				
16	1	YN5254000	Oil cap				
17	5	3906066R	Screw				
18	5	3819013R	Grower				
19	1	YN0118500	Seeger				
20	1	69210135R	Complete hood (80cm)			Colore Grigio; Grey color	
21	1	69210209AR	Tiller body				
22	2	N1482500	Nut			Filettatura DX; RH thread	
23	2	N4418000	Washer				
24	2	69210246R	Support				
25	2	YF0013525	Felt				
26	2	YN0210050	Gasket				
27	2	YN0136800	Seeger				
28	3	YN1270701	Bearing				
29	1	YN0210045	Ring				
30	1	YN1270751	Bearing				
31	1	69210210R	Sprocket				
32	1	YN5276700	Cap				
33	1	N1482600	Nut			Filettatura SX; LH thread	
34	2	YN0652200	Key				
35	1	F0015582R	Rim				
36	1	K3501830	Support				
37	4	69210272R	Spacer				
38	16	N6274000	Screw				
39	1	R0000138	Cutters kit			Per fresa 80 cm, kit composto da: F0015602, DX. 10pz + F0015603. SX.	
40	8	322000001R	Screw				
41	1	69210109R	Plate				
42	1	3056374R	Mark (Made in Italy)			composed by: F0015602, Su richiesta; Upon request, RIGHT, 10pcs + F0015603,	
43	1	YF1233111	Mark (Danger)			Su richiesta; Upon request	
44	1	69210220R	Mark NIBBI			Su richiesta; Upon request	

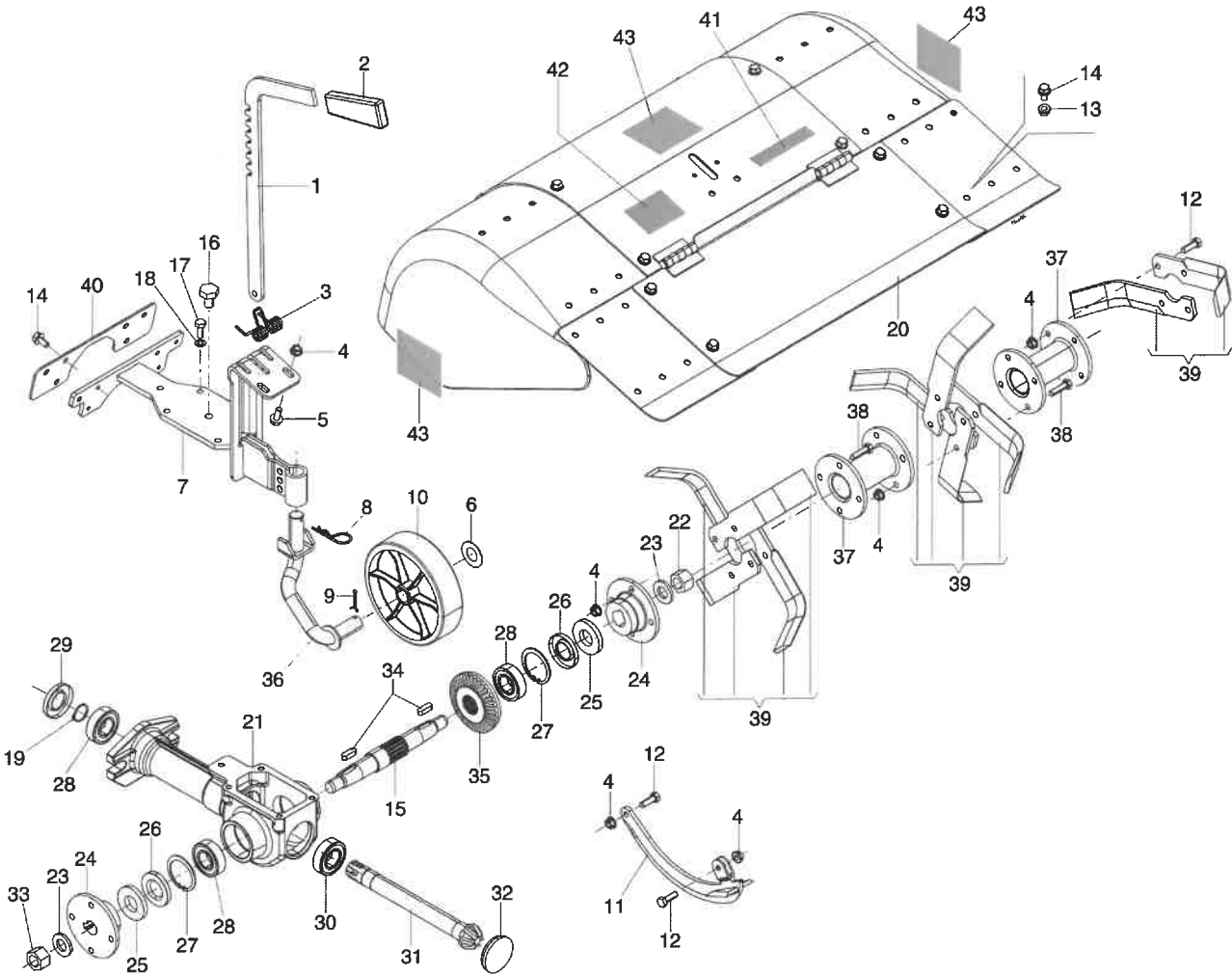


Illustration 70 cm rotor with adjustable cowling and fixed connection 69219069

Ref.Nu	Qty	Part number	Description	Validity from	Validity till	Notes	Bulletin
1	1	69210262	Rod				
2	1	N2840490	Knob				
3	1	69210102R	Spring				
4	28	YN1457570	Nut				
5	2	3906070R	Screw				
6	1	N5003250	Washer				
7	1	69210248R	Cover				
8	1	N1054500	Cotter pin				
9	1	YN1060200	Cotter pin				
10	1	YK1102480	Support wheel				
11	1	69210240R	Cutter tool				
12	10	3806067R	Screw				
13	12	3933032R	Nut				
14	12	3933034AR	Screw				
15	1	YF0013531	Shaft				
16	1	YN5254000	Oil cap				
17	5	3906066R	Screw				
18	5	3819013R	Grower				
19	1	YN0118500	Seeger				
20	1	69210139R	Complete hood (70cm)			Colore Grigio; Grey color	
21	1	69210209AR	Tiller body				
22	2	N1482500	Nut			Filettatura DX; RH thread	
23	2	N4418000	Washer				
24	2	69210246R	Support				
25	2	YF0013525	Felt				
26	2	YN0210050	Gasket				
27	2	YN0136800	Seeger				
28	3	YN1270701	Bearing				
29	1	YN0210045	Ring				
30	1	YN1270751	Bearing				
31	1	69210210R	Sprocket				
32	1	YN5276700	Cap				
33	1	N1482600	Nut			Filettatura SX; LH thread	
34	2	YN0652200	Key				
35	1	F0015582R	Rim				
36	1	K3501830	Support				
37	4	69210272R	Spacer				
38	16	N6274000	Screw				
39	1	R0000138	Cutters kit			Per fresa 70 cm, kit composto da: F0015602, DX. 10pz + F0015603. SX.	
40	1	69210109R	Plate			Su richiesta; Upon request	
41	1	3056374R	Mark (Made in Italy)			composed by: F0015602, Su richiesta; Upon request	
42	1	YF1233111	Mark (Danger)			RIGHT, 10pz + F0015603, Su richiesta; Upon request	
43	3	69210220R	Mark NIBBI			Su richiesta; Upon request	

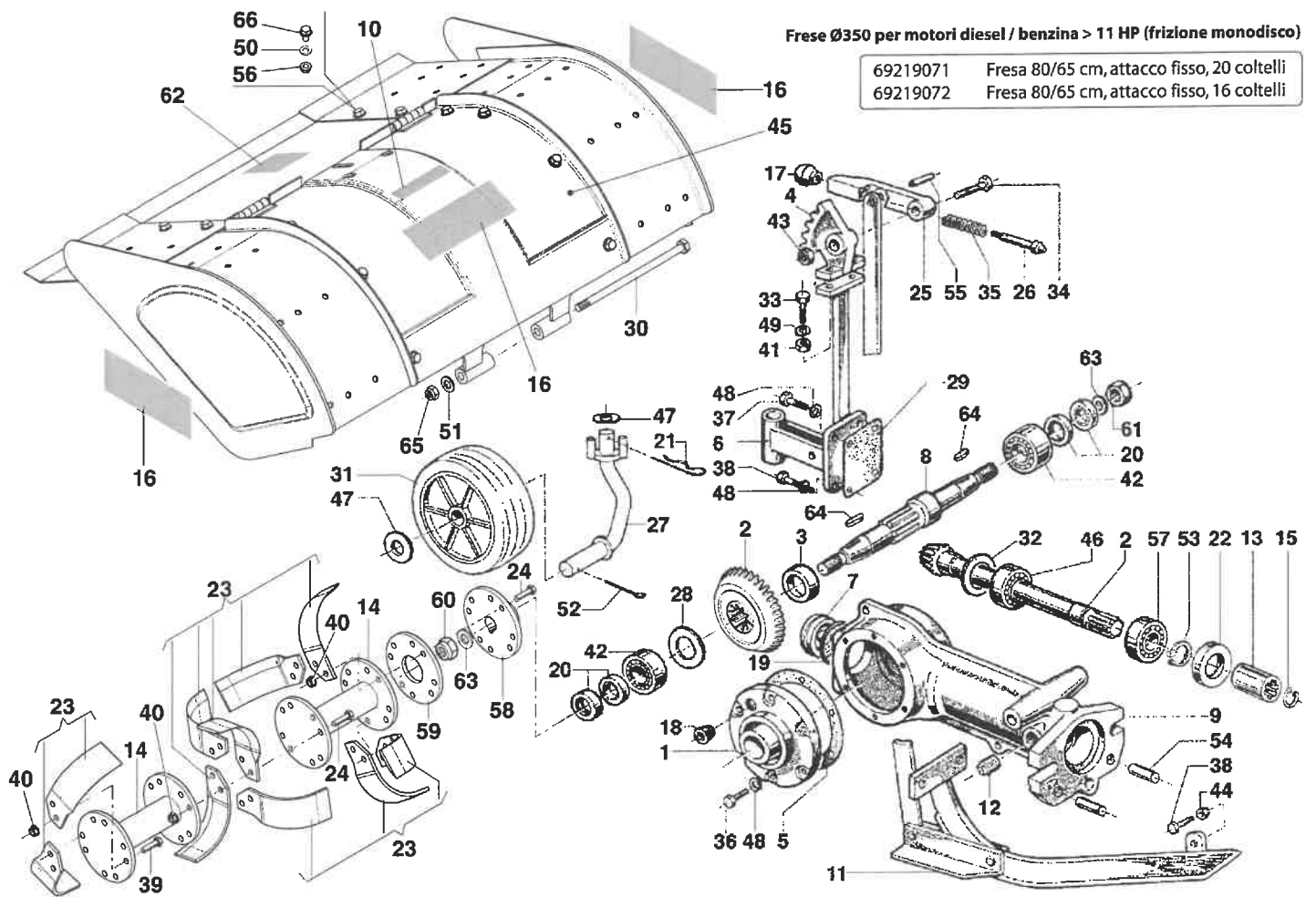


Illustration Tiller for engines > 11HP 69219071/69219072

Ref.Nu	Qty	Part number	Description	Validity from	Validity till	Notes	Bulletin
1	1	K4302260F	Cover				
2	1	YK4303570	Set bevel gear				
3	1	K4302320	Spacer				
4	1	K4302350B	Sector				
5	1	K4302360	Gasket				
6	1	69210249	Support				
7	1	YK4302520	Cap				
8	1	YK4308040	Shaft				
9	1	K4302640E	Arm				
10	1	3056374R	Mark (Made in Italy)				
11	1	YK4308060	Plough				
12	1	K8535002	Cap				
13	1	YK1101080	Joint				
14	4	68340071R	Spacer			20 coltelli; 20 knives	
14	2	68340072R	Spacer			16 coltelli; 16 knives	
15	1	028200019	Ring				
16	3	69210220R	Mark NIBBI			Su richiesta; Upon request	
17	1	YK8211001	Knob				
18	1	K8536002	Cap				
19	1	YK7035045	O-ring				
20	4	YK7032029	Seal ring				
21	1	N1054500	Cotter pin				
22	1	YN0210045	Ring				
23	1	R0000134	Cutters kit			KIT: F0016812, DX, 10pz +	
23	1	R0000133	Cutters kit			Kit composto da: F0013014,	
24	16	YN6342900	Screw			DX 10pz; F0013015, DX,	
25	1	K2203550B	Lever			F0016813, LEF1, 10pcs;	
26	1	K2203560R	Piston pin			F0013015, LEF1, 10 pcs;	
27	1	K3501830	Support			Fresa a 16 coltelli; 16	
28	1	K8491044	Thickness				
29	1	YK1101230	Gasket				
30	1	N6417237	Screw				
31	1	Z0020368	Support wheel				
32	1	K8491030	Thickness				
33	2	YN6335900	Screw				
34	1	N6399710	Screw				
35	1	K7903026	Spring				
36	6	YN6255400	Screw				
37	1	N6262100	Screw				
38	1	3806067R	Screw				
39	16	N6325300	Screw				
40	32	YN1463500	Nut				
41	2	N1464600R	Nut				
42	2	N1277001	Bearing				

Illustration Tiller for engines > 11HP 69219071/69219072

Ref.Nu	Qty	Part number	Description	Validity from	Validity till	Notes	Bulletin
43	1	K7272009	Nut				
44	1	YN1458800	Nut				
45	1	69210222AR	Hood			80-65 cm	
46	1	K7245001	Bearing				
47	1	3916020	Washer				
48	1	YN4379800	Washer				
48	10	N4364350	Washer				
49	2	3819014R	Grower				
50	12	3916009R	Washer				
51	1	3916012R	Washer				
52	1	YN1060200	Cotter pin				
53	1	YN0118500	Seeger				
54	2	K8504014	Pin				
55	1	K8503039	Pin				
56	12	320000028R	Nut				
57	1	YN1270701	Bearing				
58	1	68340074R	Support				
59	2	F0016840	Flange				
60	1	N1482600	Nut			Filettatura Sx; LH thread	
61	1	N1482500	Nut			Filettatura Dx; RH thread	
62	1	YF1233111	Mark (Danger)			Su richiesta; Upon request	
63	2	N4418000	Washer				
64	2	YN0652200	Key				
65	1	YN1470200	Nut				
66	2	3806063R	Screw				

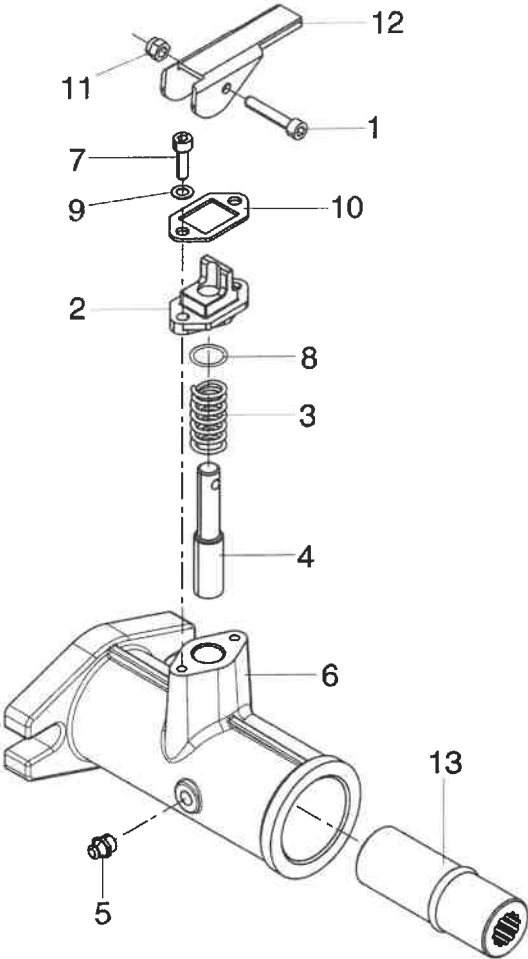


Illustration Quickfit

Ref.Nu	Qty	Part number	Description	Validity from	Validity till	Notes	Bulletin
1	1	3801027R	Screw				
2	1	YF1294702	Slide				
3	1	YN3118700	Spring				
4	1	YF1054710	Shutter				
5	1	YN2605600	Nipple				
6	1	YF1303110D	Flange				
7	2	3801022R	Screw				
8	1	3049016R	O-ring				
9	2	YN4358110	Washer				
10	1	YF1294701	Plate				
11	1	3914008R	Nut				
12	1	YF1294700	Lever				
13	1	YF1303111	Sleeve				

Movimento in bagno d'olio cod. L0101500

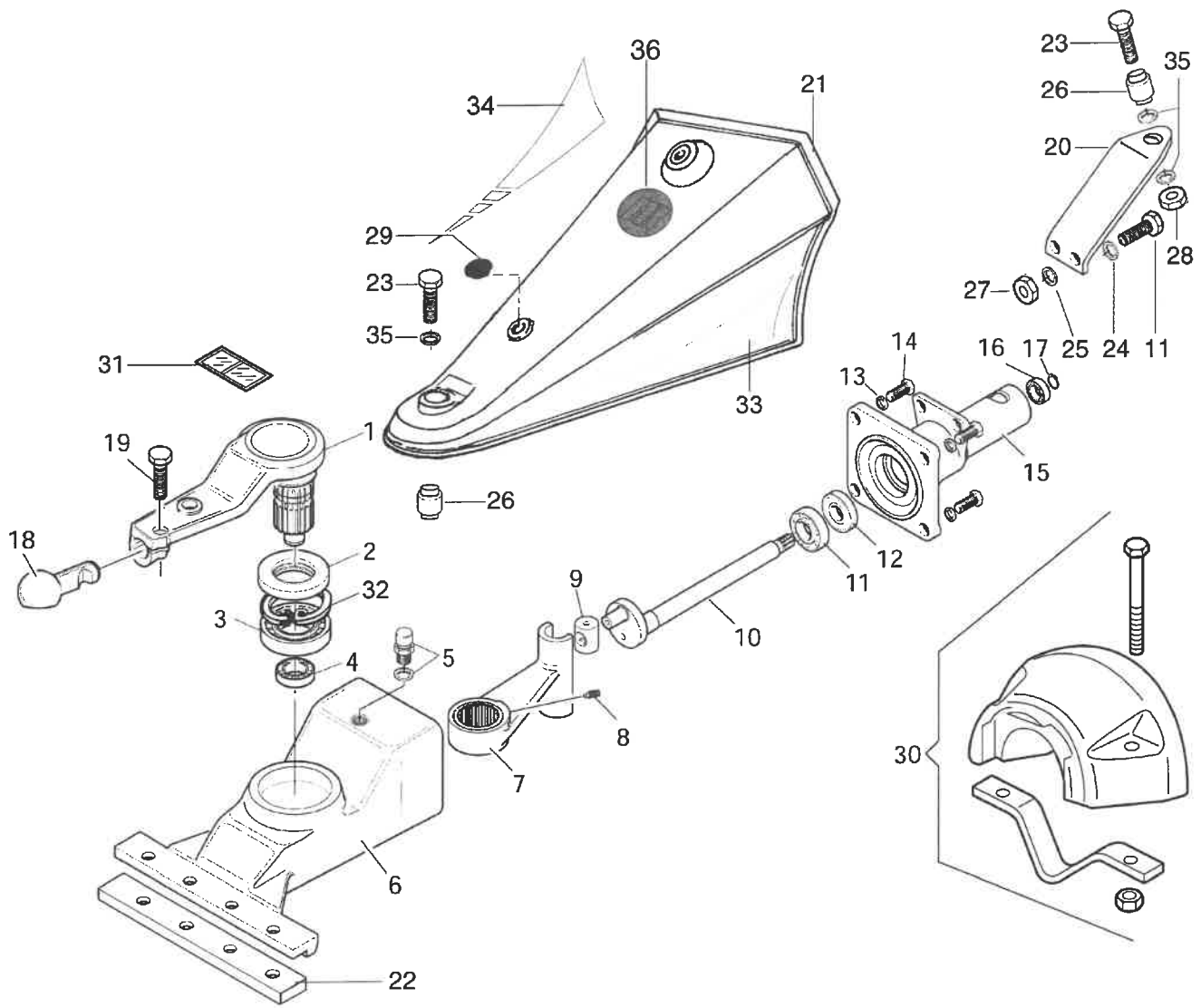


Illustration Oil bath movement L0101500

Ref.Nu	Qty	Part number	Description	Validity from	Validity till	Notes	Bulletin
1	1	69220060R	Connecting rod				
2	1	YN0222805	Ring				
3	1	YN1289200	Bearing				
4	1	YN1263701	Bearing				
5	1	YK4101420	Cap				
6	1	F1303100B	Housing				
7	1	F1303102D	Connecting rod				
8	1	N6251000	Screw				
9	1	YF1303106	Switch				
10	1	F1303108	Shaft				
11	1	YN1272501	Bearing				
12	1	YN0210045	Ring				
13	1	3819014R	Grower				
14	1	3806094R	Screw				
15	1	F1303101B	Cover				
16	1	YN1263201	Bearing				
17	1	3024020R	Seeger				
18	1	YF1303155B	Pin				
19	1	3806094R	Screw				
20	1	F1303128	Support				
21	1	F1303136	Hood				
22	1	L0081100	Washer			Utilizzare con ruote >	
23	1	N6399710	Screw				
24	1	3819013R	Grower				
25	1	3916008R	Washer				
26	1	N4924000R	Silent block				
27	1	320000028R	Nut				
28	1	YN1470200	Nut				
29	1	YN5265900	Cap				
30	1	L0105700	Set (Counterweight)				
31		N5381650	Mark (Danger)				
32	1	N0140800	Seeger				
33	1	68910014	Mark			Su richiesta; Upon request;	
34	1	68910015	Mark			SX; LEFT Su richiesta; Upon request;	
35	1	3916012R	Washer				
36	1	68250018R	Plate NIBBI				

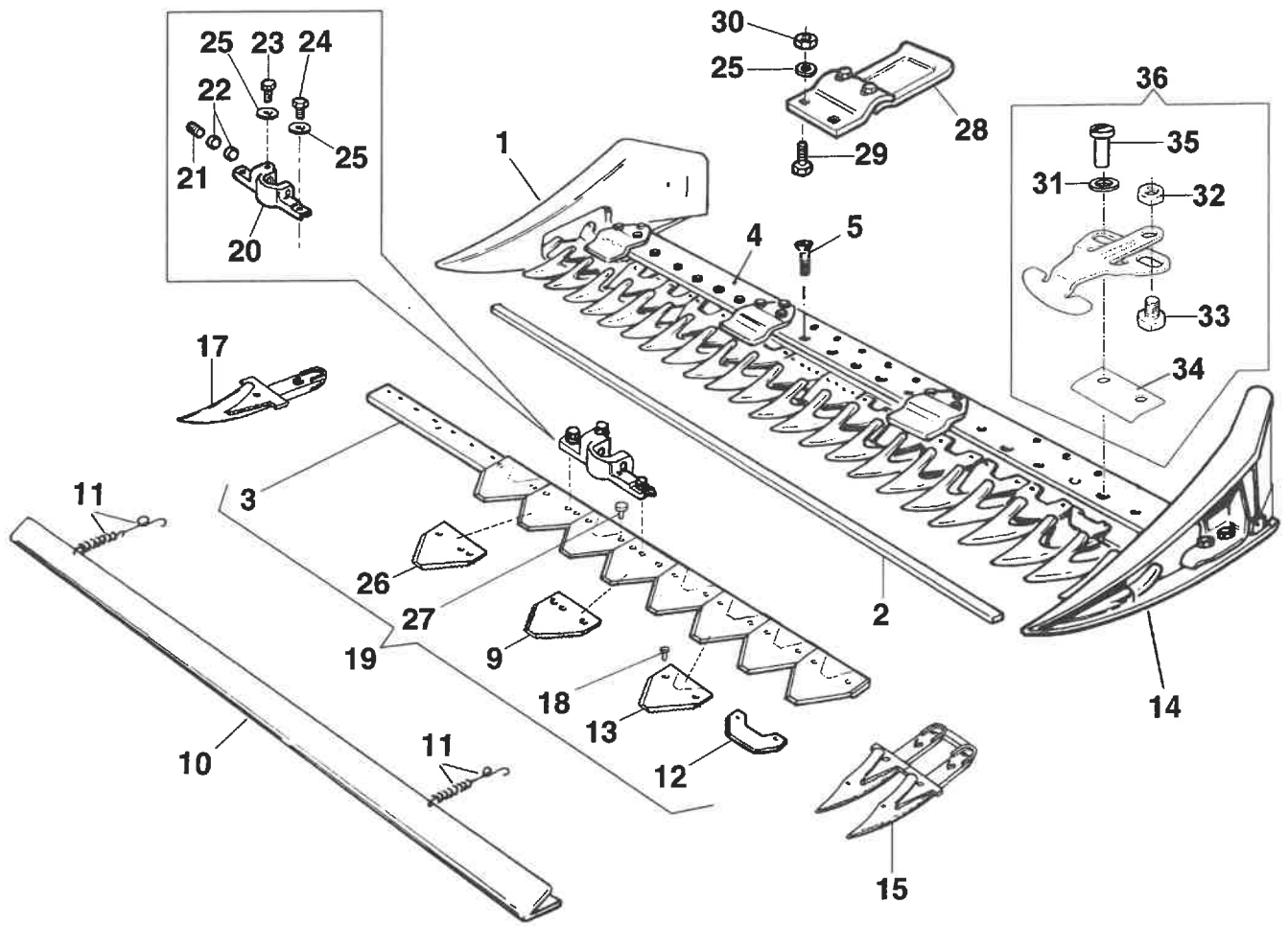


Illustration Middle fingers cutter bar 69229084/69229085/69229086/69229087

Ref.Nu	Qty	Part number	Description	Validity from	Validity till	Notes	Bulletin
1	1	69229098	Pair of directional guides for cutterbar			DX; RIGHT	
2	1	69220017	Rod			1150 mm	
2	1	F1073220R	Slide			1450 mm	
2	1	F0591593R	Slide			1270 mm	
2	1	F0712027	Slide			950 mm	
3	1	69220023	Rod				
4	1	F1303116	Plate			950 mm	
4	1	F1303117	Plate			1150 mm	
4	1	F1303118	Plate			1270 mm	
4	1	F1303119	Plate			1450 mm	
5	15	YN6325400	Screw				
9	1	F1073377R	Blade				
10	-	-	Not available for this product				
11	-	-	Not available for this product				
12	13	F1073317	Plate				
13	13	YF0582091	Blade				
14	1	69229098	Pair of directional guides for cutterbar			SX; LEFT	
15	11	F0582688	Tooth (Double)				
17	1	F0582738	Tooth (Single)				
18	28	YN0886600	Rivet				
19	1	YF1073385	Blade			1270 mm SF	
19	1	YF1073386	Blade			1450 mm SF	
19	1	YF1073384	Blade			1150 mm SF	
19	1	YF1073383	Blade			950 mm SF	
20	1	YF1073376B	Clutch driver				
21	1	N6433900R	Screw				
22	2	YF1073364	Valve				
23	1	YN6262200	Screw				
24	2	3806063R	Screw				
25	7	3819013R	Grower				
26	1	F1073378R	Blade				
27	2	F1073261	Rivet				
28	2	69220024R	Complete slide				
29	8	3806070R	Screw				
30	8	320000028R	Nut				
31	8	3916010R	Washer				
32	4	N1462800	Nut				
33	4	N6314900	Screw				
34	4	LS621197	Press blade				
35	8	N6333300	Screw				
36	4	69220047	Pressblade kit				

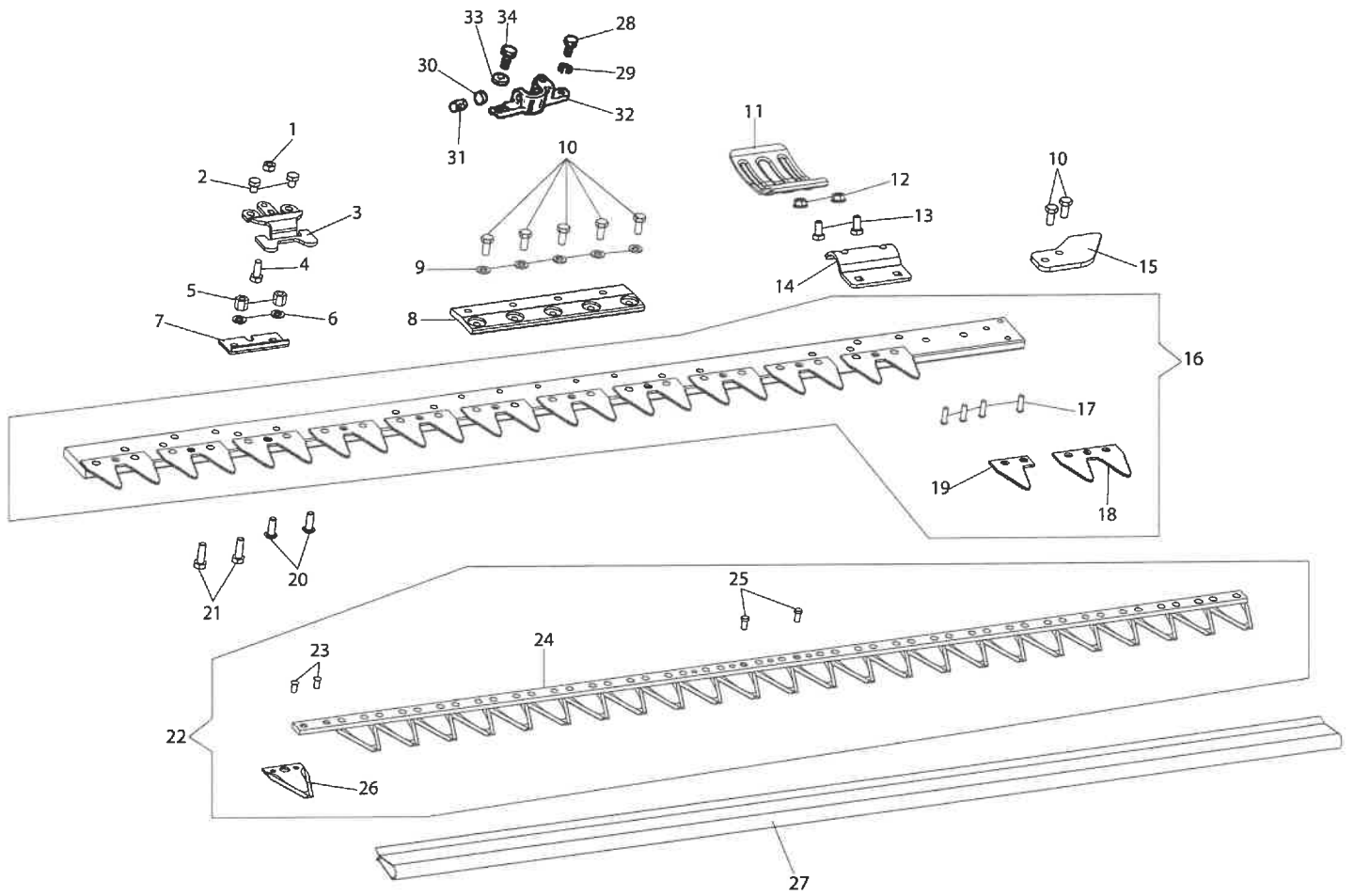


Illustration Special cutter bar 69229068A/69229069A/69229070A/69229071A

Ref.Nu	Qty	Part number	Description	Validity from	Validity till	Notes	Bulletin
1	6	LS7020008	Nut				
2	12	028200039R	Screw				
3	6	LS621230	Pressblade				
4	6	3906066R	Screw				
5	12	LS621135	Spacer				
6	12	3916008R	Washer				
7	6	LS621139	Blades support				
8	1	LS627027	Plate				
9	5	LS7092901	Washer				
10	9	YN6254600	Screw				
11	2	LS621172	Sliding block				
12	8	3933032R	Nut				
13	4	3806063R	Screw				
14	2	LS621136	Support				
15	2	LS624058	Guard				
16	1	LS62692410	Complete cutter plate			127 cm	
16	1	LS62692310	Complete cutter plate			97 cm	
16	1	LS62691810	Complete cutter plate			117 cm	
16	1	LS62692510	Complete cutter plate			147 cm	
17	24	LS215619R	Rivet				
18	12	LS623122	Tooth (Double)				
19	1	LS623124	Tooth (Single)				
20	12	LS7190822	Screw				
21	4	3806067R	Screw				
22	1	YLS472306	Complete Blade			117 cm	
22	1	YLS472906	Complete Blade			147 cm	
22	1	YLS472506	Complete Blade			127 cm	
22	1	YLS471906	Complete Blade			97 cm	
23	48	LS210612R	Rivet				
24	1	LS3425225	Tube				
25	2	LS625231	Pin				
26	25	LS310067R	Blade				
27	1	LS625061	Guard cm 117			117 cm	
27	1	LS625064	Guard cm 147			147 cm	
27	1	LS625062	Guard cm 127			127 cm	
27	1	LS625056	Guard 97 cm			97 cm	
28	1	YN6262200	Screw				
29	1	3819013R	Grower				
30	1	YF1073364	Valve				
31	1	N6433900R	Screw				
32	1	YF1073363B	Clutch driver				
33	1	3819013R	Grower				
34	1	3806063R	Screw				