

KAM 7 S Rotary cultivator

Documents

Speed-change gear box

Clutch

Clutch (Diesel)

Gears (Gearbox)

Axle with differential

Brakes and wheels

Internals controls

Handlebar rod and handle bars

60 cm rotor with adjustable cowling and fixed connection 69219102

60 cm rotor with adjustable cowling and quickfit connection 69219088

70 cm rotor with adjustable cowling and quickfit connection 69219059

70 cm rotor with adjustable cowling and fixed connection 69219065

Quickfit 69212006

Oil bath movement 69229097

Special cutter bar 69229084/69229085/69229086/69229087

Special cutter bar 69229068/69229069/69229070/69229071

"UNIVERSAL" cutter bar 69229035/69229036

Cutter bar "clip clap" 69229035/69229036/69229021

Cutter bar L0066900

"COMUNAL" cutter bar 69229037/69229038

Illustration Speed-change gear box

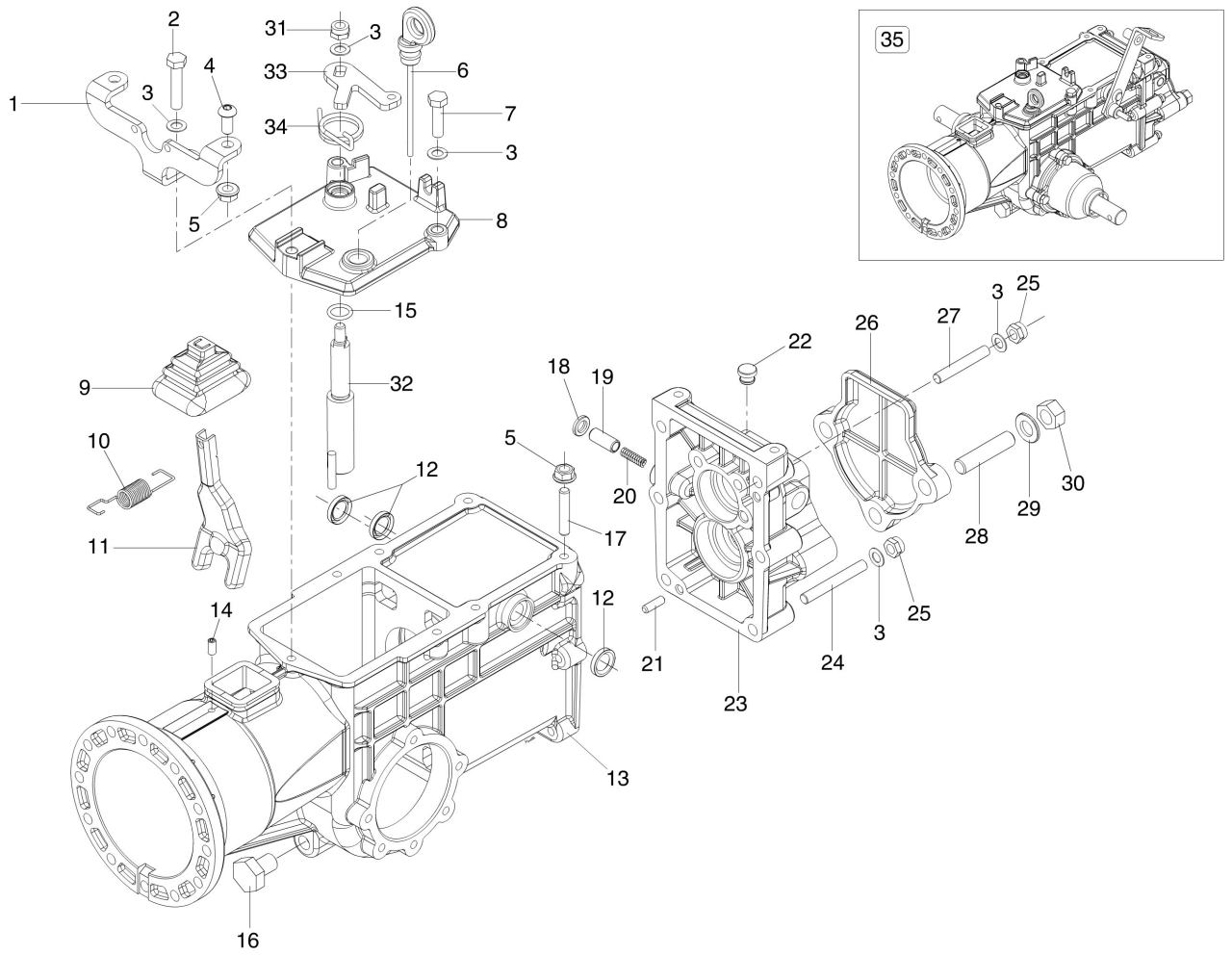


Illustration Speed-change gear box

Ref.Nu	Qty	Part number	Description	Validity from	Validity till	Notes	Bulletin
1	1	68350156AR	Support				
2	1	3806076R	Screw				
3	18	YN4365400	Washer				
4	2	YN6255100	Screw				
5	6	3933032R	Nut				
6	1	68350157R	Oil level plug				
7	3	322000001R	Screw				
8	1	68350155R	Cover				
9	1	YF0751646	Bellows				
10	1	68350172AR	Spring				
11	1	YF0750011G	Lever				
12	3	YN0203000	Seal ring				
13		68320135R	Speed-change gear box				
14	1	YN6203600	Screw				
16	1	YN5254000	Oil cap				
17	4	YN3815300	Stud				
18	1	YN0281400	Ring				
19	1	YF1291661	Cap				
20	1	YN3101020	Spring				
21	2	YN5124300	Pin				
22	1	3045006	Cap				
23	1	YF1290817	Set cover				
24	4	YN3825750	Stud				
25	6	YN1458800	Nut				
26	1	YF1050833	Cover				
27	2	YN3825400	Stud				
28	3	YN3861500	Stud				
29	3	YN4387700	Washer				
30	3	YN1470500	Nut				
31	1	YN1458800	Nut				
33	1	68350153R	Lever				
34	1	F1291602	Spring				
15	1	YN0317900	Ring				
32	1	68350090R	Eccentric shaft				
35	1	68352009AR	Unit (Gear)				

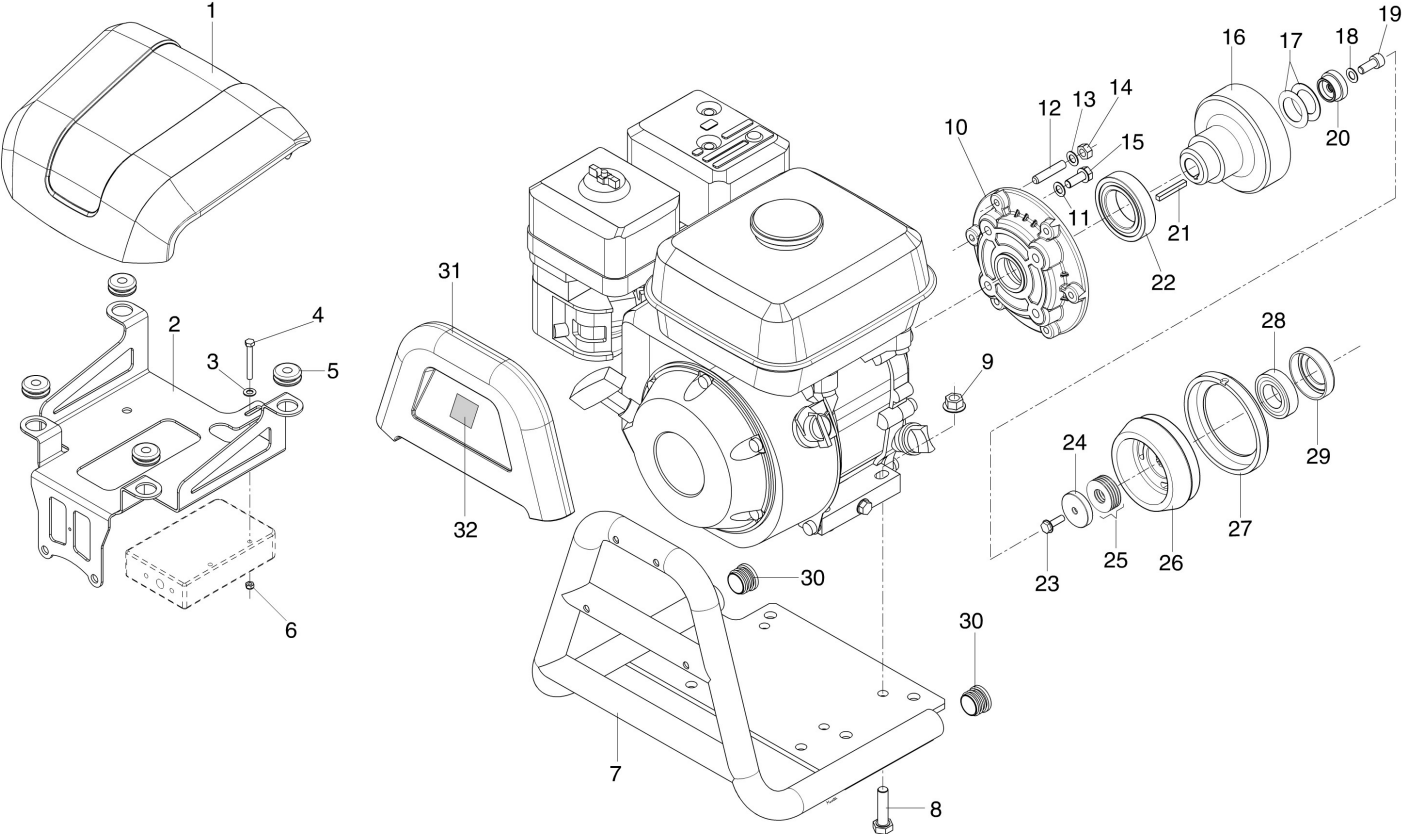


Illustration Clutch

Ref.Nu	Qty	Part number	Description	Validity from	Validity till	Notes	Bulletin
1	1	68350189R	Hood			Rosso; Red	
2	1	68350065BR	Support				
3	2	3916006R	Washer				
4	2	31000009R	Screw				
5	4	68350114R	Support (Hood)				
6	2	028200069R	Nut				
7	1	68350164AR	Engine support				
8	4	YN6335900	Screw				
9	4	3914001R	Nut				
10	1	68310038AR	Flange				
11	4	YN6243980	Screw				
12	6	YN3815300	Stud				
13	6	YN4365400	Washer				
14	6	YN1458020	Nut				
15	4	YN6243980	Screw				
16	1	68350073AR	Hub (Clutch drum)				
17	4	68350212R	Cup washer				
18	1	YN4365400	Washer				
19	1	YN6243950	Screw				
20	1	68350069R	Bushing				
21	1	YN0643450	Key				
22	1	N1289300	Bearing				
23	1	3906037R	Screw				
24	1	68350068AR	Bushing				
25	10	68350035AR	Cup washer				
26	1	68350075AR	Clutch cone				
27	1	68320137AR	Ring				
28	1	N1270400	Bearing				
29	1	68350076R	Cover				
30	2	YN5267400	Cap				
31	1	68350137R	Cover			Rosso; Red	
32	1	68250018R	Plate NIBBI			Logo "Nibbi"	

Illustration Clutch (Diesel)

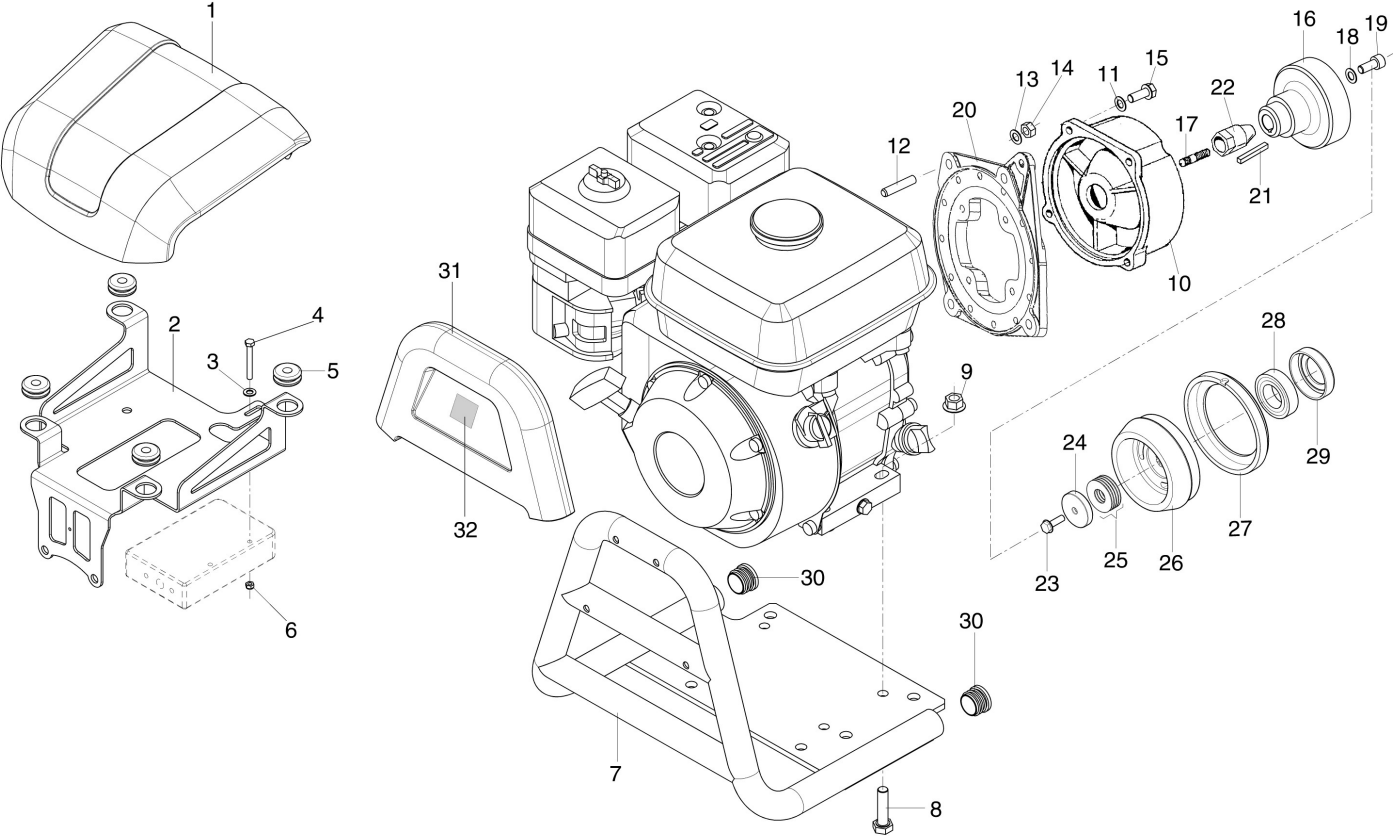


Illustration Clutch (Diesel)

Ref.Nu	Qty	Part number	Description	Validity from	Validity till	Notes	Bulletin
1	1	68350189R	Hood			Rosso; Red	
2	1	68350065BR	Support				
3	2	3916006R	Washer				
4	2	31000009R	Screw				
5	4	68350114R	Support (Hood)				
6	2	028200069R	Nut				
7	1	68350170R	Engine support				
8	4	YN6335900	Screw				
9	4	3914001R	Nut				
10	1	68320117AR	Flange				
11	4	YN6243980	Screw				
12	6	YN3815300	Stud				
13	6	YN4365400	Washer				
14	6	YN1458020	Nut				
15	4	3906074R	Screw				
16	1	68350159A	Hub (Clutch drum)				
17	4	68350212R	Cup washer				
18	1	YN4371100	Washer				
19	1	YN6262200	Screw				
20	1	68320161R	Flange			Solo per motori KIPOR	
21	1	YN3815300	Stud				
22	1	YF1290007B	Clutch cone				
23	1	3906037R	Screw				
24	1	68350068AR	Bushing				
25	10	68350035AR	Cup washer				
26	1	68350075AR	Clutch cone				
27	1	68320137AR	Ring				
28	1	N1270400	Bearing				
29	1	68350076R	Cover				
30	2	YN5267400	Cap				
31	1	68350137R	Cover			Rosso; Red	
32	1	68250018R	Plate NIBBI			Logo "Nibbi"	

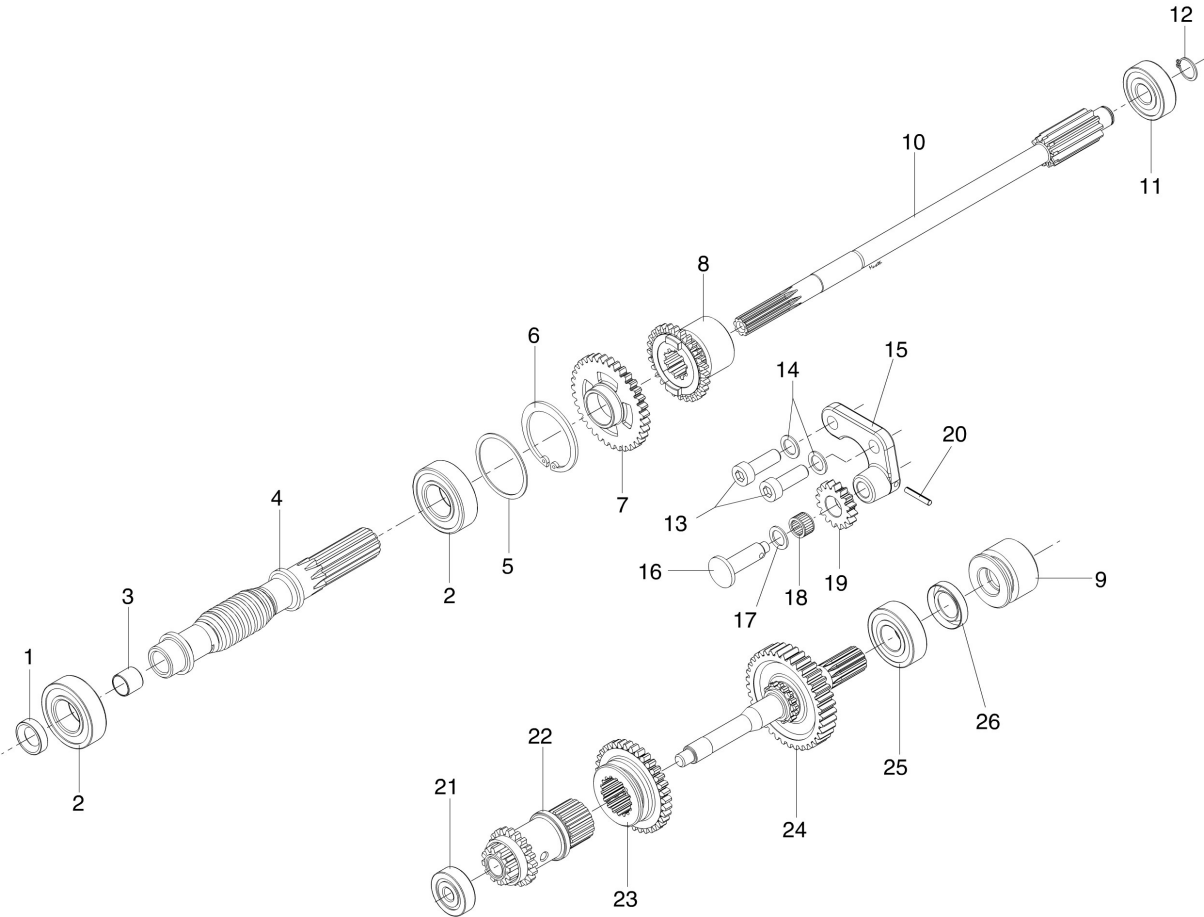


Illustration Gears (Gearbox)

Ref.Nu	Qty	Part number	Description	Validity from	Validity till	Notes	Bulletin
1	1	YN0204750	Gasket				
2	2	YN1270751	Bearing				
3	1	3038002R	Bushing				
4	1	68350070R	Shaft				
5	1	YN5010200	Washer				
6	1	YN0136900	Seeger				
7	1	YF1290812	Idler gear				
8	1	68350079AR	Gear (Sliding)				
9	1	YF1290816	Sleeve				
10	1	68350072AR	Shaft				
11	1	YN1257700	Bearing				
12	1	3024015R	Seeger				
13	2	YN6330100	Screw				
14	2	005000343R	Washer				
15	1	YF1290807	Support				
16	1	68350174R	Pin				
17	1	3064001R	Washer				
18	1	3037026R	Roller cage				
19	1	YF1290804	Sprocket				
20	1	YN5115000	Elastic pin				
21	1	YN1251500	Bearing				
22	1	68350077AR	Double gear				
23	1	YF1290805	Sprocket				
24	1	R1290814	Shaft (Complete)				
25	1	YN1263701	Bearing				
26	1	YN0207300	Seal ring				

Illustration Axle with differential

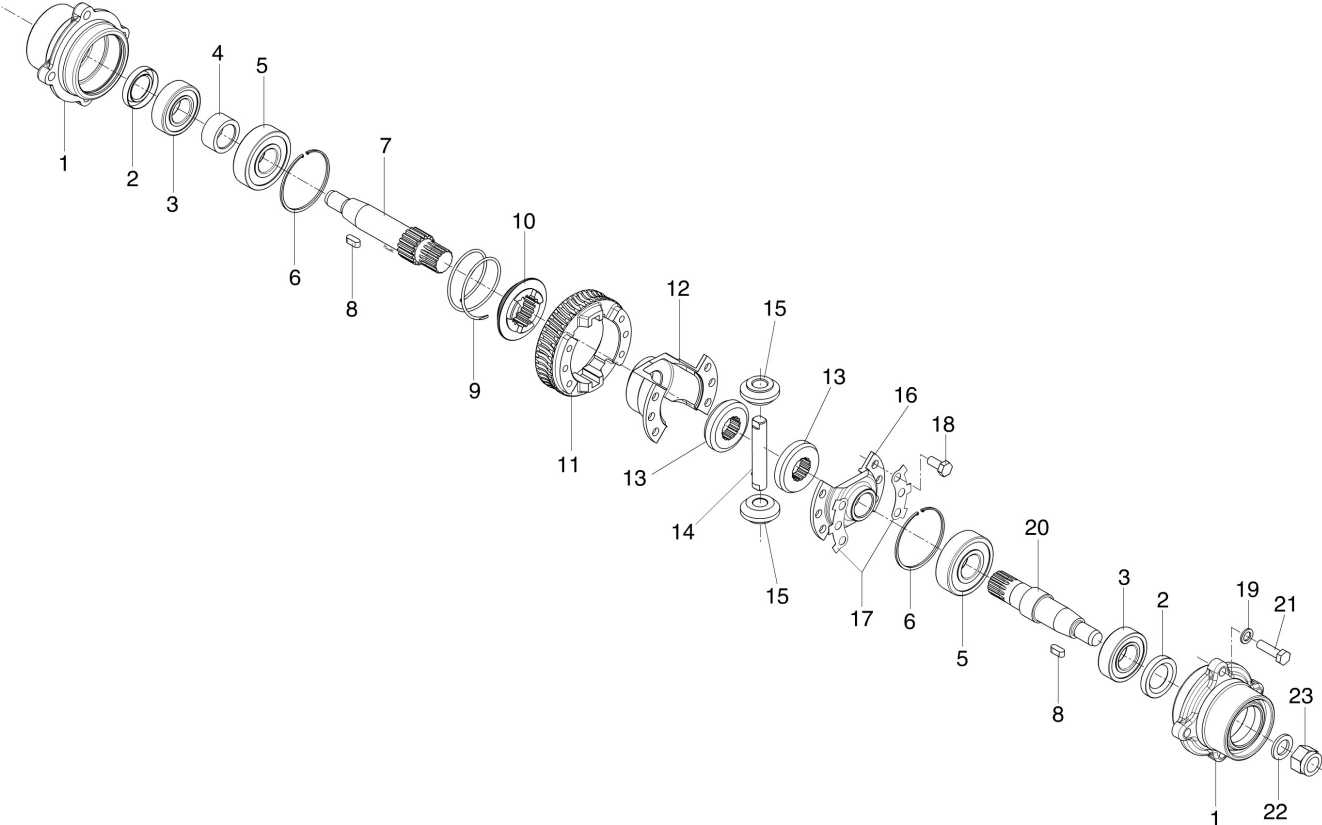


Illustration Axle with differential

Ref.Nu	Qty	Part number	Description	Validity from	Validity till	Notes	Bulletin
1	2	YF1290209	Support				
2	2	YN0209720	Ring				
3	2	YN1270701	Bearing				
4	1	YF1290210	Spacer				
5	2	YN1272501	Bearing				
6	2	028200031R	Snap ring				
7	1	YF1290207	Shaft				
8	2	YN0646800	Key				
9	1	YN3138800B	Spring				
10	1	YF1290201	Sleeve				
11	1	YF1290205	Sprocket				
12	1	YF1290212	Support				
13	2	YF1290203	Sprocket				
14	1	YF1290206	Pin				
15	2	YF1290202	Sprocket				
16	1	YF1290213	Support				
17	2	YF1290204	Plate				
18	6	YN6254600	Screw				
20	1	YF1290208	Shaft				
21	8	322000001R	Screw				
22	2	YN4403000	Grower				
23	2	YN1479800	Nut				
19	8	YN4365400	Washer				

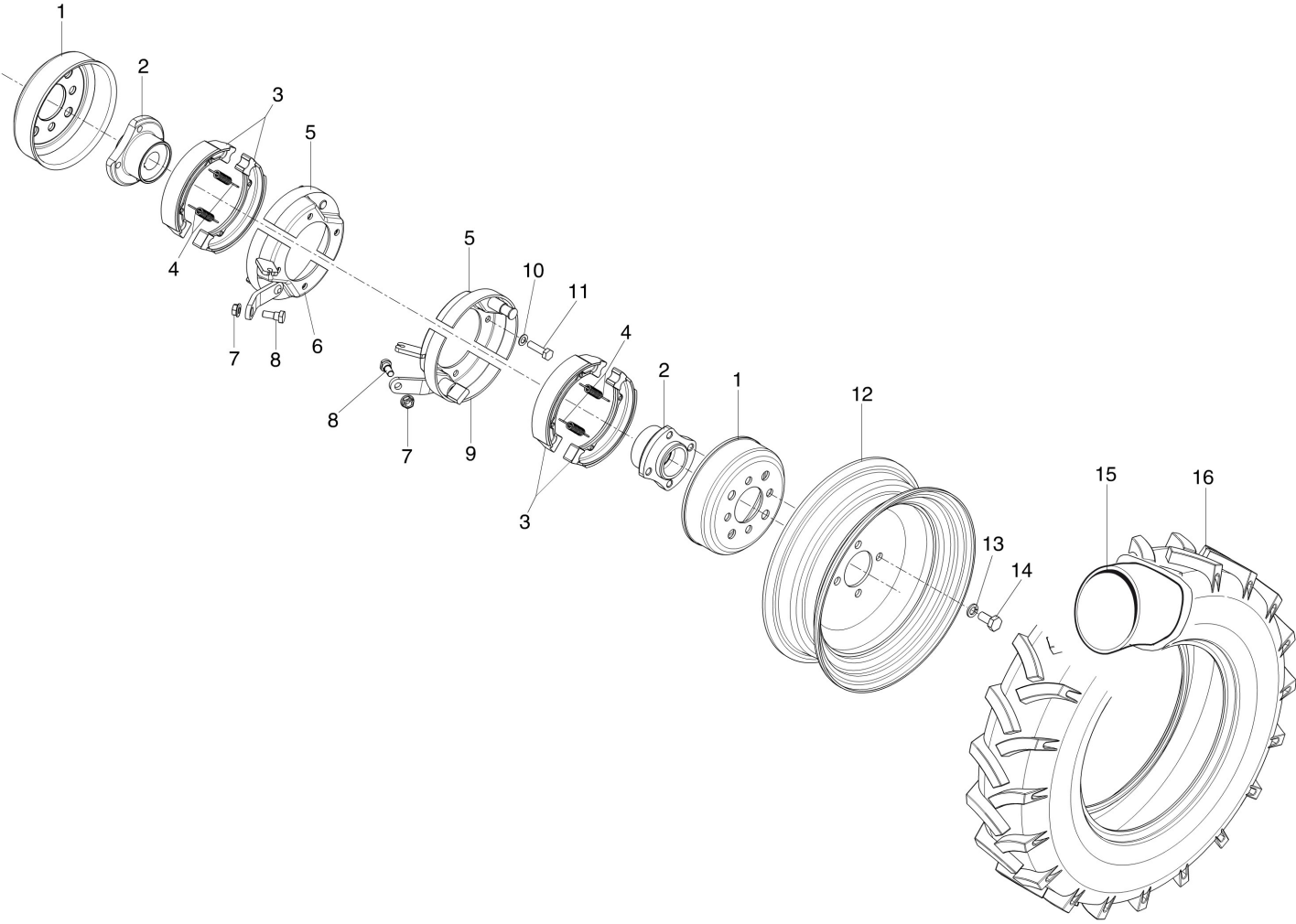


Illustration Brakes and wheels

Ref.Nu	Qty	Part number	Description	Validity from	Validity till	Notes	Bulletin
1	2	YN2382700	Cable reel				
2	2	YF1290211	Wheel hub				
3	4	YN2362700	Brake shoe				
4	4	YN3105100	Spring				
5	2	YF1290220	Half-cable reel				
6	1	68350147R	Half-cable reel			Per freno Dx ; For RH brake	
7	2	3933032R	Nut				
8	2	68350150R	Pin				
9	1	68350148R	Half-cable reel			Per freno Sx ; For LH brake	
10	8	YN4365400	Washer				
11	8	322000001R	Screw				
12	2	69200098R	Rim			4.00-8"	
12	2	69200109R	Rim			4.00-10" Disco fisso ; Fixed disc	
13	2	69200099R	Rim			4.00-10", 5.00-10" Disco registrabile ; Adjustable disc	
13	8	3819014R	Grower				
14	2	68240153R	Rim			16/6,50-8"	
14	8	YN6322000	Screw				
15	2	YN4882500	Inner tube			5.00-10"	
15	2	YN4881400	Inner tube			16/6,50-8"	
15	2	YN4881100	Inner tube			4.00-8"	
15	2	YN4881500	Inner tube			4.00-10"	
16	2	YN4853500A	Tire			5.00-10"	
16	2	YN4851880	Tire			16/6,50-8"	
16	2	YN4851600	Tire			4.00-8"	
16	2	YN4852000A	Tire			4.00-10"	

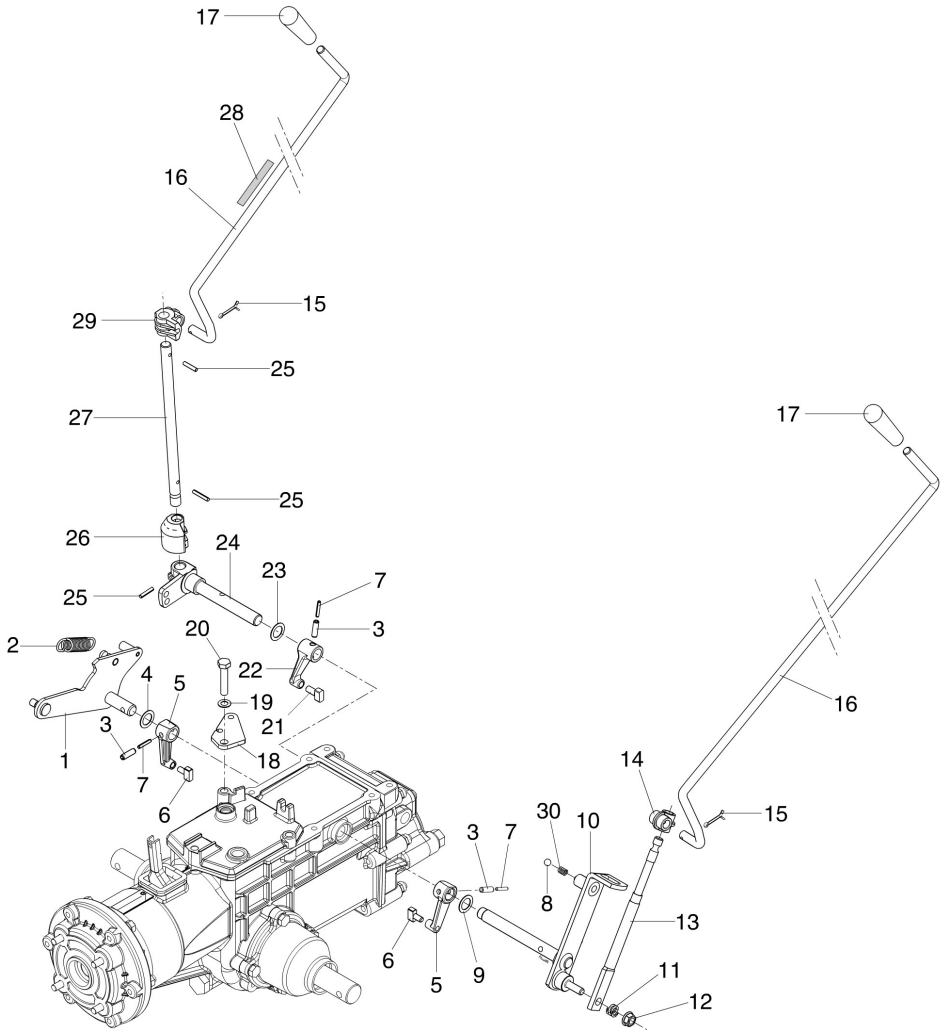


Illustration Internals controls

Ref.Nu	Qty	Part number	Description	Validity from	Validity till	Notes	Bulletin
1	1	68350146AR	Cam				
2	1	YN3118060	Spring				
3	1	YN5125500	Pin				
4	1	YN4394700	Thickness				
5	1	YF1291603	Lever				
6	2	YF1291604	Sliding block				
7	3	YN5109300	Pin				
8	1	YN4745400	Ball				
9	1	YK8401029	Washer				
10	1	68320157R	Lever				
11	1	YN3111500	Spring				
12	1	3933032R	Nut				
13	1	68320152R	Lever (Selector switch)				
14	1	YF1061633	Fix plate (Handlebar)				
15	2	YN1054900	Split pin				
16	2	68350080R	Handlebar (Gearbox)				
17	2	YN3753600	Knob				
18	1	68350145R	Plate				
19	1	YN4365400	Washer				
20	1	3806076R	Screw				
21	1	YF1050831	Sliding block				
22	1	YF1051700	Lever				
23	1	YN4394700	Thickness				
24	1	68320157R	Lever				
25	3	YN5113800	Pin				
26	1	YF1241614	Shoe				
27	1	YF1291637	Lever				
28	1	68350009R	Mark (PTO)				
29	1	YF1291633	Support				
30	1	YN3104250	Spring				

Illustration Handlebar rod and handle bars

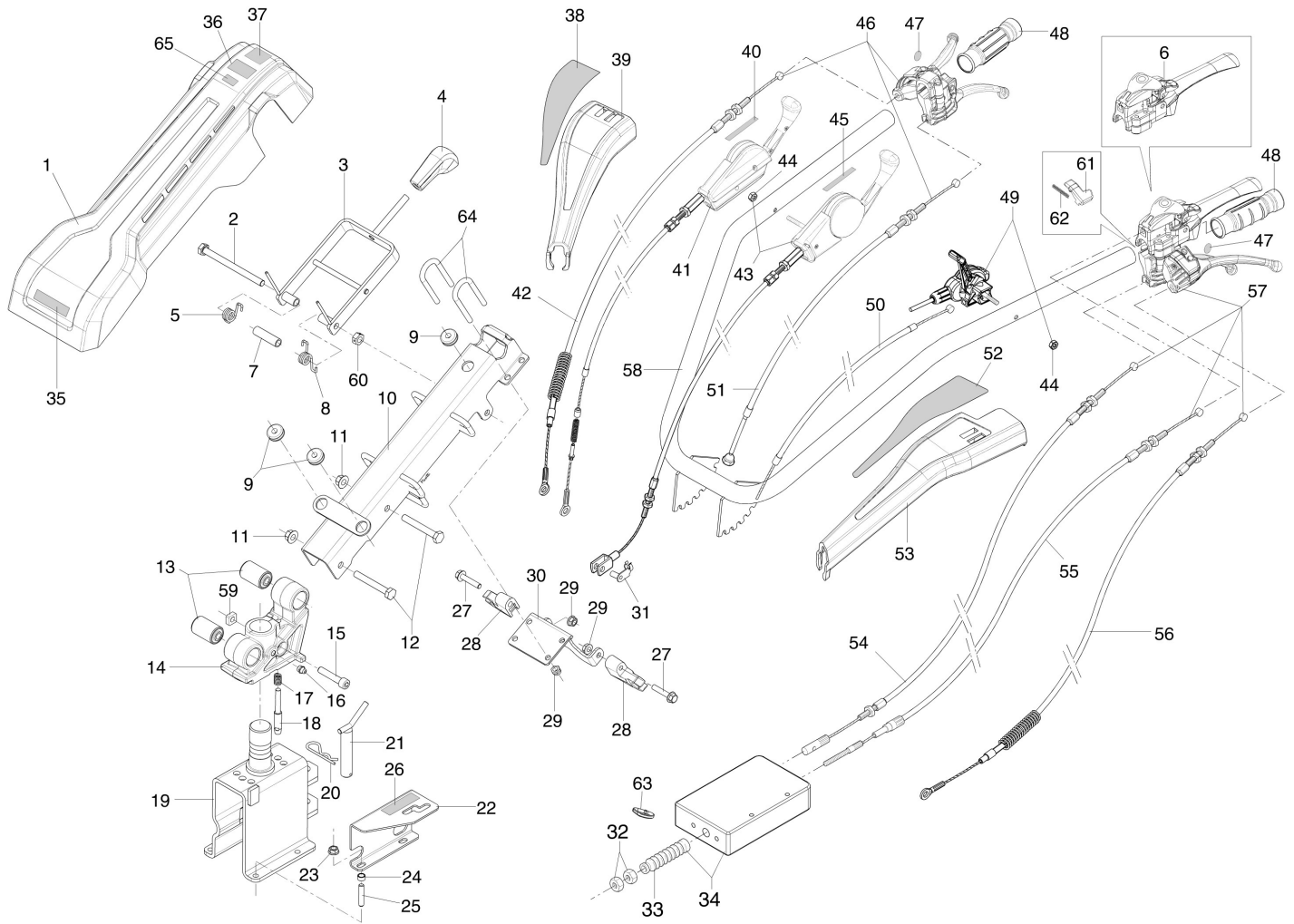


Illustration Handlebar rod and handle bars

Ref.Nu	Qty	Part number	Description	Validity from	Validity till	Notes	Bulletin
1	1	68350133R	Cover			Rossa ; Red	
2	1	YN6364510	Screw				
3	1	68350088BR	Handle				
4	1	68350095R	Knob				
5	1	68350142R	Spring			Dx ; Right	
6	1	68330249R	Lever				
7	1	68350093R	Spacer				
8	1	68350143R	Spring			Sx ; Left	
9	3	68350114R	Support (Hood)				
10	1	68350100BR	Handlebar rod				
11	2	3914001R	Nut				
12	2	YN6357200	Screw				
13	2	3058001R	Shock absorber				
14	1	68350091AR	Grip-end handlebar rod				
15	1	YN6345150	Screw				
16	1	YN2605600	Nipple				
17	1	YN3109400	Spring				
18	1	68350152BR	Shutter				
19	1	68350109AR	Column support				
20	1	YN5148800	Split pin				
21	1	68640049R	Pin				
22	1	68350158AR	Selector switch (Gear-shift lever)				
23	4	3933032R	Nut				
24	4	YF1430082	Bushing				
25	4	YN3815300	Stud				
26	1	68350003R	Mark (Gear-shift lever)				
27	2	3906075R	Screw				
28	2	YF1255009C	Support				
29	4	YN1458800	Nut				
30	1	68350116R	Support				
31	1	YK8197002	Pin				
32	2	034000013R	Nut				
33	1	68350225R	Buffer				
34	1	68350179R	Device EHS				
35	1	3056375R	Mark (Made in Italy)				
36	1	68350130R	Mark (KAM7S)				
37	1	68250018R	Plate NIBBI				
38		68350007R	Mark				
39	1	68350140R	Cover				
40	1	68320272AR	Label				
41	1	68350104BR	Control lever			Inversore ; Inverter	
42	1	68350219R	Cable				
43	1	68350103AR	Control lever			Blocco differenziale ; Differential lock	
44	2	3914006R	Nut				
45	1	68320272AR	Label				

Illustration Handlebar rod and handle bars

Ref.Nu	Qty	Part number	Description	Validity from	Validity till	Notes	Bulletin
46	1	68350107R	Control lever			Rotazione sterzo e freno Dx ; Rotational steering and right brake	
47	2	68350196R	Mark				
48	2	YN2847410	Handle start				
49	1	68350102R	Switch/Throttle				
50	1	68350221R	Cable				
51	1	68350220R	Cable				
52	1	68350008R	Mark				
53	1	68350141R	Cover				
54	1	68350222R	Cable				
55	1	68350224R	Cable				
56	1	68350223R	Cable				
57	1	68350176R	Control lever			Frizione ; Clutch	
58	1	68350083R	Handlebar				
59	1	3980002R	Nut				
60	1	YN1463650	Nut				
61	1	68310073R	Button				
62	1	68310074R	Spring				
63	1	3059018	Band				
64	2	68350067R	Rod				
65	1	68350211R	Label (Ergonomic handling system)				

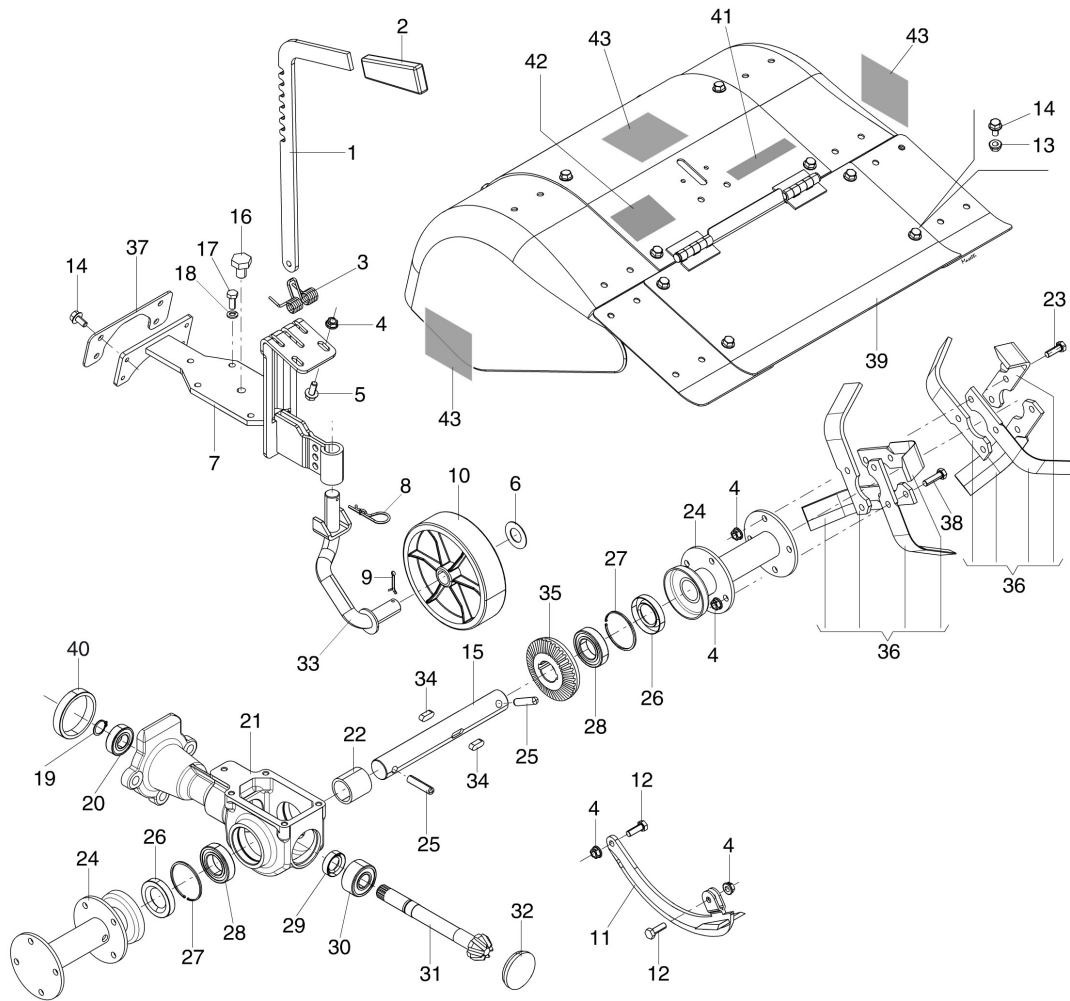


Illustration 60 cm rotor with adjustable cowling and fixed connection 69219102

Ref.Nu	Qty	Part number	Description	Validity from	Validity till	Notes	Bulletin
1	1	69210262	Rod				
2	1	N2840490	Knob				
3	1	69210102R	Spring				
4	28	YN1457570	Nut				
5	2	3906070R	Screw				
6	1	N5003250	Washer				
7	1	69210247R	Cover				
8	1	N1054500	Cotter pin				
9	1	YN1060200	Cotter pin				
10	1	YK1102480	Wheel				
11	1	YF0015592	Cutter tool				
12	2	3806067R	Screw				
13	12	3933032R	Nut				
14	16	3933034R	Screw				
15	1	F0017016	Shaft				
16	1	YN5254000	Oil cap				
17	5	3906066R	Screw				
18	5	3819013R	Grower				
19	1	3024020R	Seeger				
20	1	YN1263201	Bearing				
21	1	69210261R	Tiller body				
22	1	F0017018	Spacer			Filettatura DX; RH thread	
23	8	322000001R	Screw				
24	2	YF0017005	Spacer				
25	2	YF0017024	Pin				
26	2	N0212450	Ring				
27	2	N0138000	Seeger				
28	2	N1274500	Bearing				
29	1	YN0207400	Ring				
30	1	N1264051	Bearing				
31	1	YF0015581	Sprocket				
32	1	YN5276700	Cap				
33	1	K3501830	Support				
34	2	N0651610	Key				
35	1	69210226R	Crown gear				
36	1	R0000139	Cutters kit			Per fresa 70 cm, kit	
37	2	69210038R	Spacer			composto da: F0017002,	
38	8	3806074R	Screw			DX, 10pz + F0017003, SX,	
39	1	69210193R	Complete hood (60cm)			10pz; For tiller 70 cm, set	
40	1	YF0013529	Bushing			composed by: F0017002,	
41	1	3056374R	Mark (Made in Italy)			Color Code: Grey color	
42	1	YF1233111	Mark (Danger)			RIGHT, 10pcs + F0017003,	
43	3	69210220R	Mark NIBBI			LEFT, 10pcs	
						Su richiesta; Upon request	
						Su richiesta; Upon request	
						Su richiesta; Upon request	

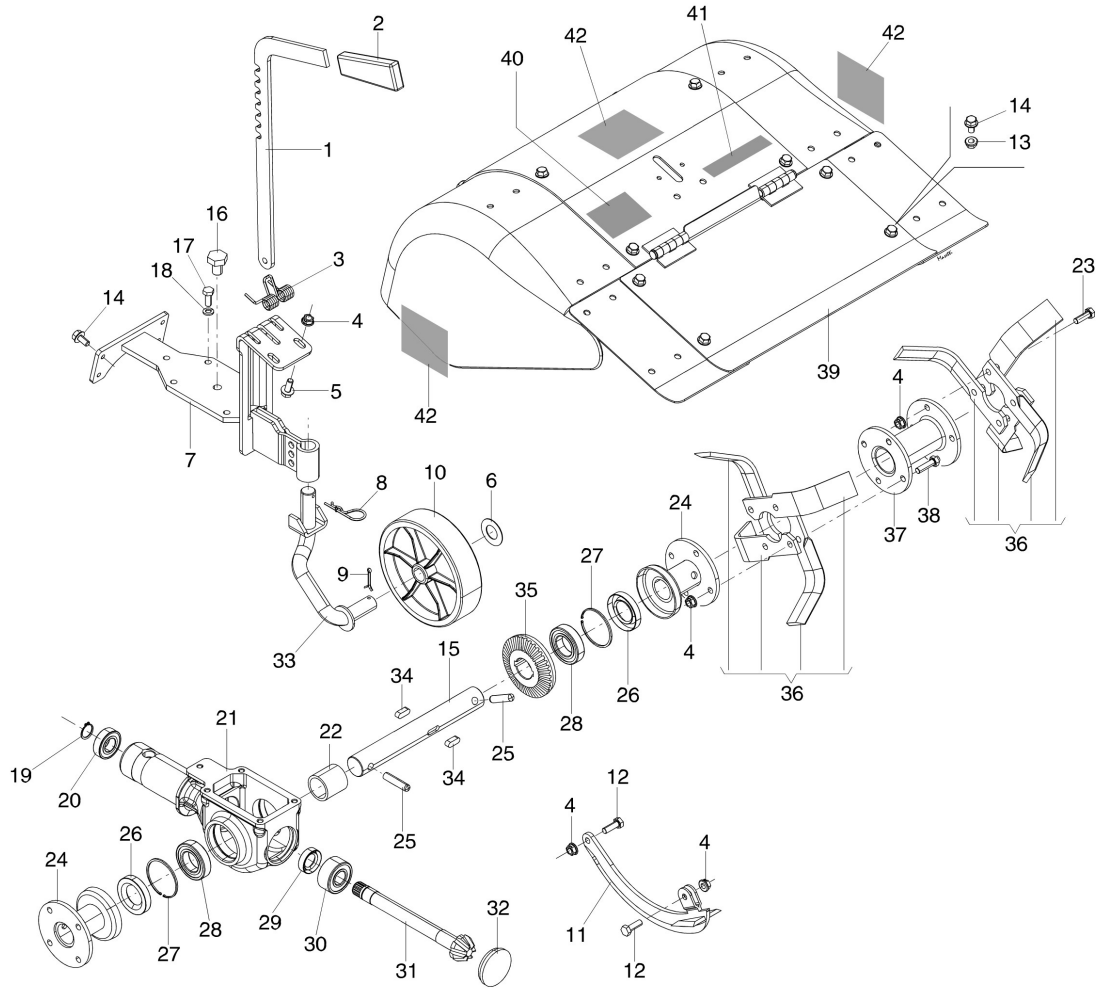


Illustration 60 cm rotor with adjustable cowling and quickfit connection 69219088

Ref.Nu	Qty	Part number	Description	Validity from	Validity till	Notes	Bulletin
1	1	69210262	Rod				
2	1	N2840490	Knob				
3	1	69210102R	Spring				
4	28	YN1457570	Nut				
5	2	3906070R	Screw				
6	1	N5003250	Washer				
7	1	69210247R	Cover				
8	1	N1054500	Cotter pin				
9	1	YN1060200	Cotter pin				
10	1	YK1102480	Wheel				
11	1	YF0015592	Cutter tool				
12	2	3806067R	Screw				
13	12	3933032R	Nut				
14	16	3933034R	Screw				
15	1	F0017016	Shaft				
16	1	YN5254000	Oil cap				
17	5	3906066R	Screw				
18	5	3819013R	Grower				
19	1	3024020R	Seeger				
20	1	YN1263201	Bearing				
21	1	69212022R	Tiller body				
22	1	F0017018	Spacer			Filettatura DX; RH thread	
23	8	322000001R	Screw				
24	2	69210228R	Spacer				
25	2	YF0017024	Pin				
26	2	N0212450	Ring				
27	2	N0138000	Seeger				
28	2	N1274500	Bearing				
29	1	YN0207400	Ring				
30	1	N1264051	Bearing				
31	1	F0015583	Sprocket				
32	1	YN5276700	Cap				
33	1	K3501830	Support				
34	2	N0651610	Key				
35	1	69210226R	Crown gear				
36	1	R0000139	Cutters kit			Per fresa 70 cm, kit	
37	2	69210038R	Spacer			composto da: F0017002,	
38	8	3806074R	Screw			DX, 10pz + F0017003, SX,	
39	1	69210193R	Complete hood (60cm)			10pz; For tiller 70 cm, set	
40	1	YF1233111	Mark (Danger)			composed by: F0017002,	
41	1	3056374R	Mark (Made in Italy)			RIGHT, 10pz + F0017003,	
42	3	69210220R	Mark NIBBI			LEFT, 10pz	
						Su richiesta; Upon request	
						Su richiesta; Upon request	
						Su richiesta; Upon request	

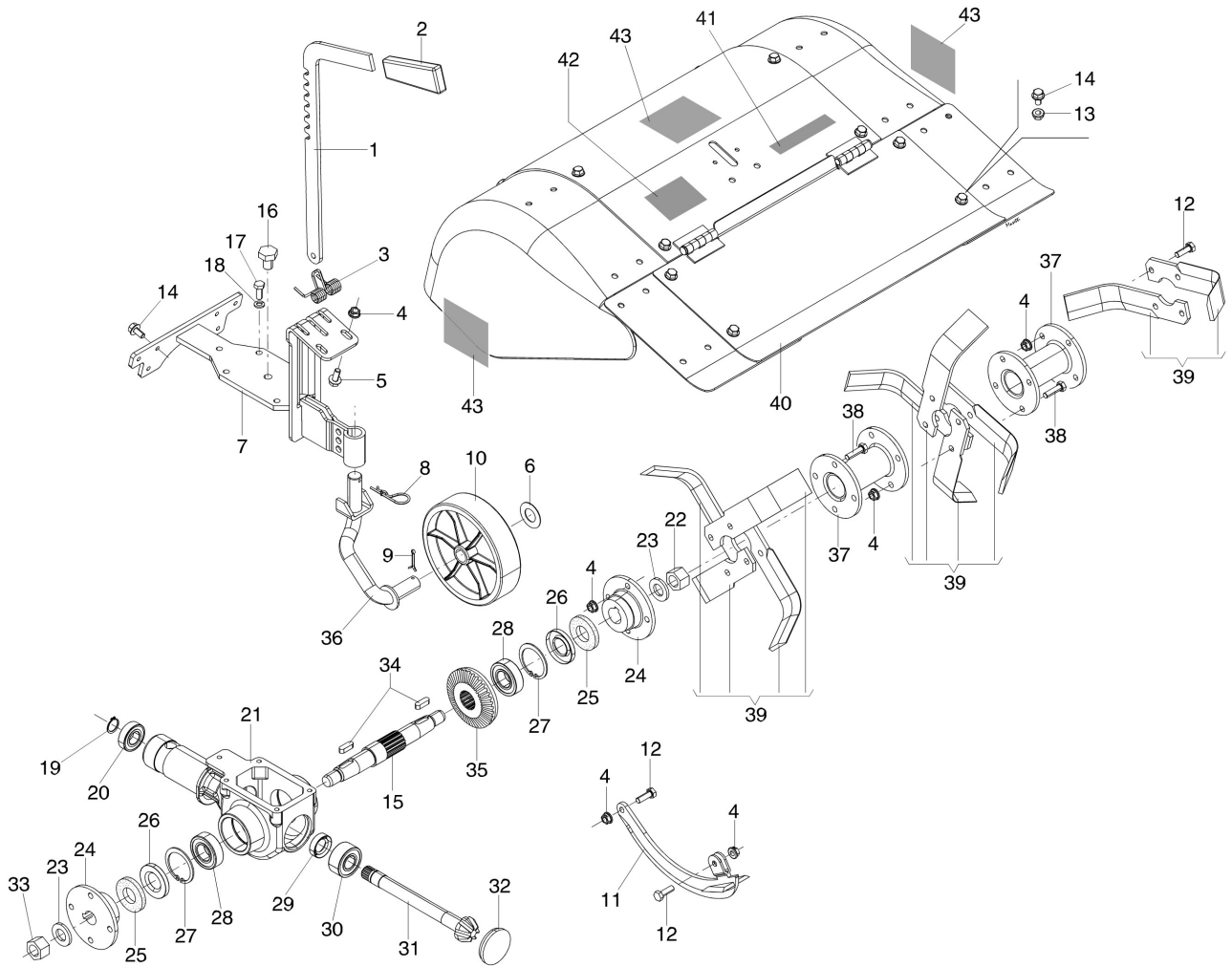


Illustration 70 cm rotor with adjustable cowling and quickfit connection 69219059

Ref.Nu	Qty	Part number	Description	Validity from	Validity till	Notes	Bulletin
1	1	69210262	Rod				
2	1	N2840490	Knob				
3	1	69210102R	Spring				
4	28	YN1457570	Nut				
5	2	3906070R	Screw				
6	1	N5003250	Washer				
7	1	69210248R	Cover				
8	1	N1054500	Cotter pin				
9	1	YN1060200	Cotter pin				
10	1	YK1102480	Wheel				
11	1	YF0015592	Cutter tool				
12	10	3806067R	Screw				
13	12	3933032R	Nut				
14	12	3933034R	Screw				
15	1	YF0013531	Shaft				
16	1	YN5254000	Oil cap				
17	5	3906066R	Screw				
18	5	3819013R	Grower				
19	1	3024020R	Seeger				
20	1	YN1263201	Bearing				
21	1	F0015541M	Tiller body				
22	2	N1482500	Nut			Filettatura DX; RH thread	
23	2	N4418000	Washer				
24	2	69210246R	Support				
25	2	YF0013525	Felt				
26	2	YN0210050	Gasket				
27	2	YN0136800	Seeger				
28	2	YN1270701	Bearing				
29	1	YN0207400	Ring				
30	1	N1264051	Bearing				
31	1	F0015583	Sprocket				
32	1	YN5276700	Cap				
33	1	N1482600	Nut			Filettatura SX; LH thread	
34	2	YN0652200	Key				
35	1	F0015582	Rim				
36	1	K3501830	Support				
37	4	69210038R	Spacer				
38	16	N6274000	Screw				
39	1	R0000139	Cutters kit			Per fresa 70 cm, kit	
40	1	69210139R	Complete hood (70cm)			composto da: F0017002,	
41	1	3056374R	Mark (Made in Italy)			Colora Grigio: Grey color,	
42	1	YF1233111	Mark (Danger)			DX, 10 pz + F0017003, SX,	
43	3	69210220R	Mark NIBBI			10 pz. Fresa 70 cm, set	
						composto da: F0017002,	
						RIGHT, 10 pz + F0017003,	
						LEFT, 10 pcs. Upon request	
						5 pz. Upon request	

Illustration 70 cm rotor with adjustable cowling and fixed connection 69219065

Ref.Nu	Qty	Part number	Description	Validity from	Validity till	Notes	Bulletin
1	1	69210262	Rod				
2	1	N2840490	Knob				
3	1	69210102R	Spring				
4	28	YN1457570	Nut				
5	2	3906070R	Screw				
6	1	N5003250	Washer				
7	1	69210248R	Cover				
8	1	N1054500	Cotter pin				
9	1	YN1060200	Cotter pin				
10	1	YK1102480	Wheel				
11	1	YF0015592	Cutter tool				
12	10	3806067R	Screw				
13	12	3933032R	Nut				
14	12	3933034R	Screw				
15	1	YF0013531	Shaft				
16	1	YN5254000	Oil cap				
17	5	3906066R	Screw				
18	5	3819013R	Grower				
19	1	3024020R	Seeger				
20	1	YN1263201	Bearing				
21	1	69210208AR	Tiller body				
22	2	N1482500	Nut			Filettatura DX; RH thread	
23	2	N4418000	Washer				
24	2	69210246R	Support				
25	2	YF0013525	Felt				
26	2	YN0210050	Gasket				
27	2	YN0136800	Seeger				
28	2	YN1270701	Bearing				
29	1	YN0207400	Ring				
30	1	N1264051	Bearing				
31	1	YF0015581	Sprocket				
32	1	YN5276700	Cap				
33	1	N1482600	Nut			Filettatura SX; LH thread	
34	2	YN0652200	Key				
35	1	F0015582	Rim				
36	1	K3501830	Support				
37	4	69210038R	Spacer				
38	16	N6274000	Screw				
39	1	R0000138	Cutters kit			Per fresa 70 cm, kit	
40	1	YF0013529	Bushing			composto da: F0015602,	
41	1	69210139R	Complete hood (70cm)			DX, 10pz + F0015603, SX,	
42	1	3056374R	Mark (Made in Italy)			top for tiller 70 cm, set	
43	1	YF1233111	Mark (Danger)			composed by: F0015602,	
44	3	69210220R	Mark NIBBI			RIGHT, 10pcs + F0015603,	
						LEFT, 10pcs, Upon request	
						Su richiesta; Upon request	

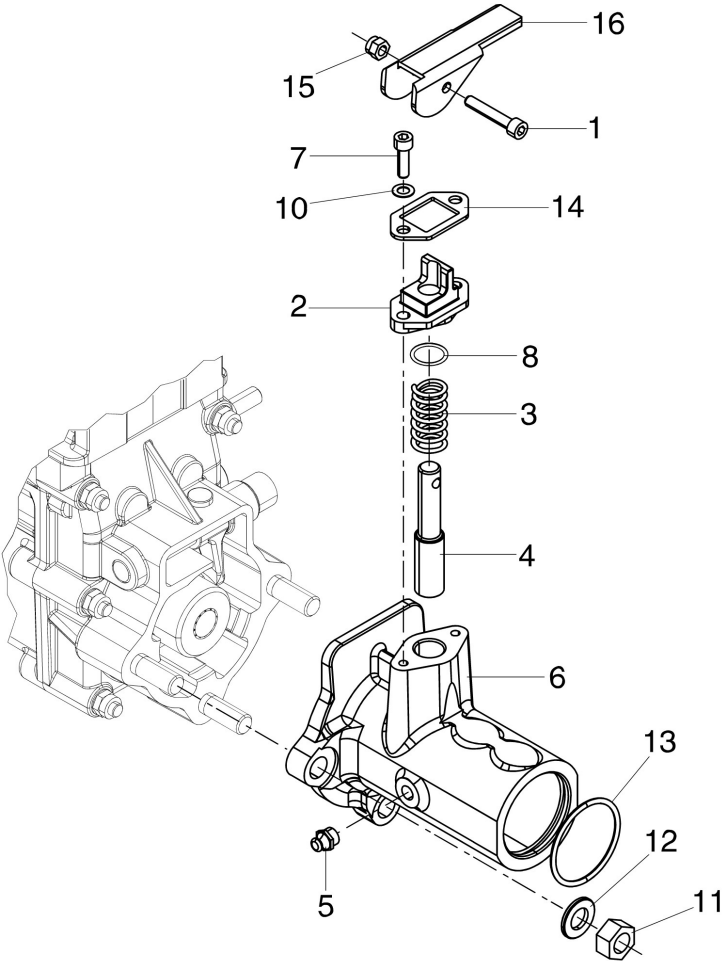


Illustration Quickfit 69212006

Ref.Nu	Qty	Part number	Description	Validity from	Validity till	Notes	Bulletin
1	1	3801027R	Screw				
2	1	YF1294702	Slide				
3	1	YN3118700	Spring				
4	1	YF1054710	Shutter				
5	1	YN2605600	Nipple				
6	1	69210090AR	Flange				
7	2	3801022R	Screw				
8	1	3049016R	O-ring				
10	2	YN4358110	Washer				
11	3	YN1470500	Nut				
12	3	YN4387700	Washer				
13	1	YK7035045	O-ring				
14	1	YF1294701	Plate				
15	1	3914008R	Nut				
16	1	YF1294700	Lever				

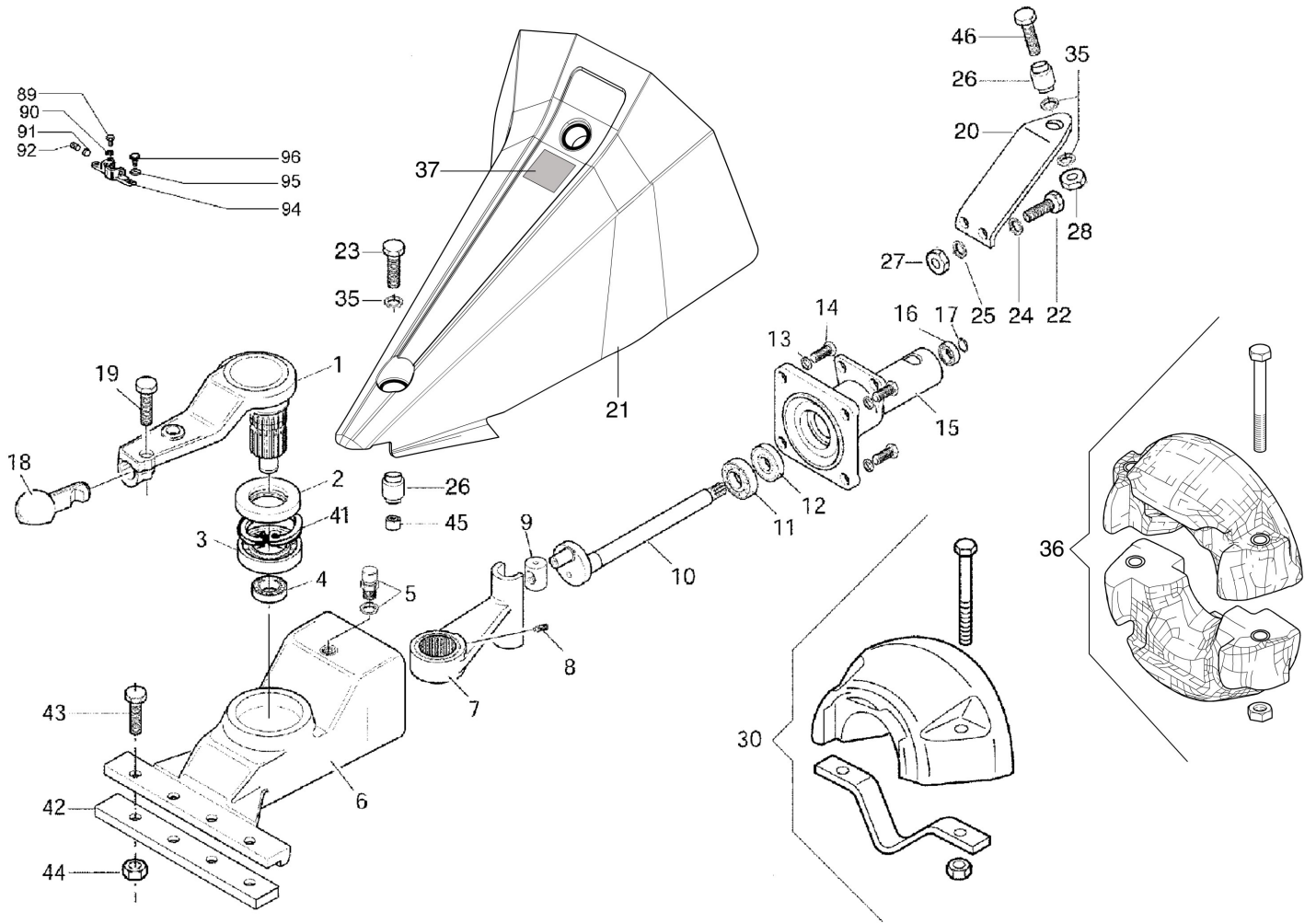


Illustration Oil bath movement 69229097

Ref.Nu	Qty	Part number	Description	Validity from	Validity till	Notes	Bulletin
1	1	69220057R	Connecting rod (External)				
2	1	YN0222805	Ring				
3	1	YN1289200	Bearing				
4	1	YN1263701	Bearing				
5	1	YK4101420	Cap				
6	1	F1303100	Housing				
7	1	F1303102	Connecting rod				
8	1	N6251000	Screw				
9	1	YF1303106	Switch				
10	1	F1303108	Shaft				
11	1	YN1272501	Bearing				
12	1	YN0210045	Ring				
13	1	3819014R	Grower				
14	1	3806094R	Screw				
15	1	F1303101B	Cover				
16	1	YN1263201	Bearing				
17	1	3024020R	Seeger				
18	1	F1303155	Pin				
19	1	3806094R	Screw				
20	1	F1303125	Support				
21	1	69220050BR	Hood			Rosso ; Red	
22	1	3806067R	Screw				
23	1	YN6402600	Screw				
24	1	3819013R	Grower				
25	1	3916008R	Washer				
26	1	N4924000	Silent block				
27	1	320000028R	Nut				
28	1	YN1470200	Nut				
30	1	L0105700	Set (Counterweight)			Singola ; Single	
35	1	3916012R	Washer				
36	1	L0102300	Set (Counterweight)			Doppia ; Double	
37	1	68250018R	Plate NIBBI				
41	1	N0140800	Seeger				
42	1	L0081100	Washer				
43	1	YN6332800	Screw				
44	1	YN1463650	Nut				
45	1	F1303133	Spacer				
46	1	N6399710	Screw				
89	1	YN6262200	Screw				
90	1	3819013R	Grower				
91	1	YF1073364	Valve				
92	1	N6433900	Screw				
94	1	YF1073363B	Clutch driver				
95	1	3819013R	Grower				
96	1	3806063	Screw				

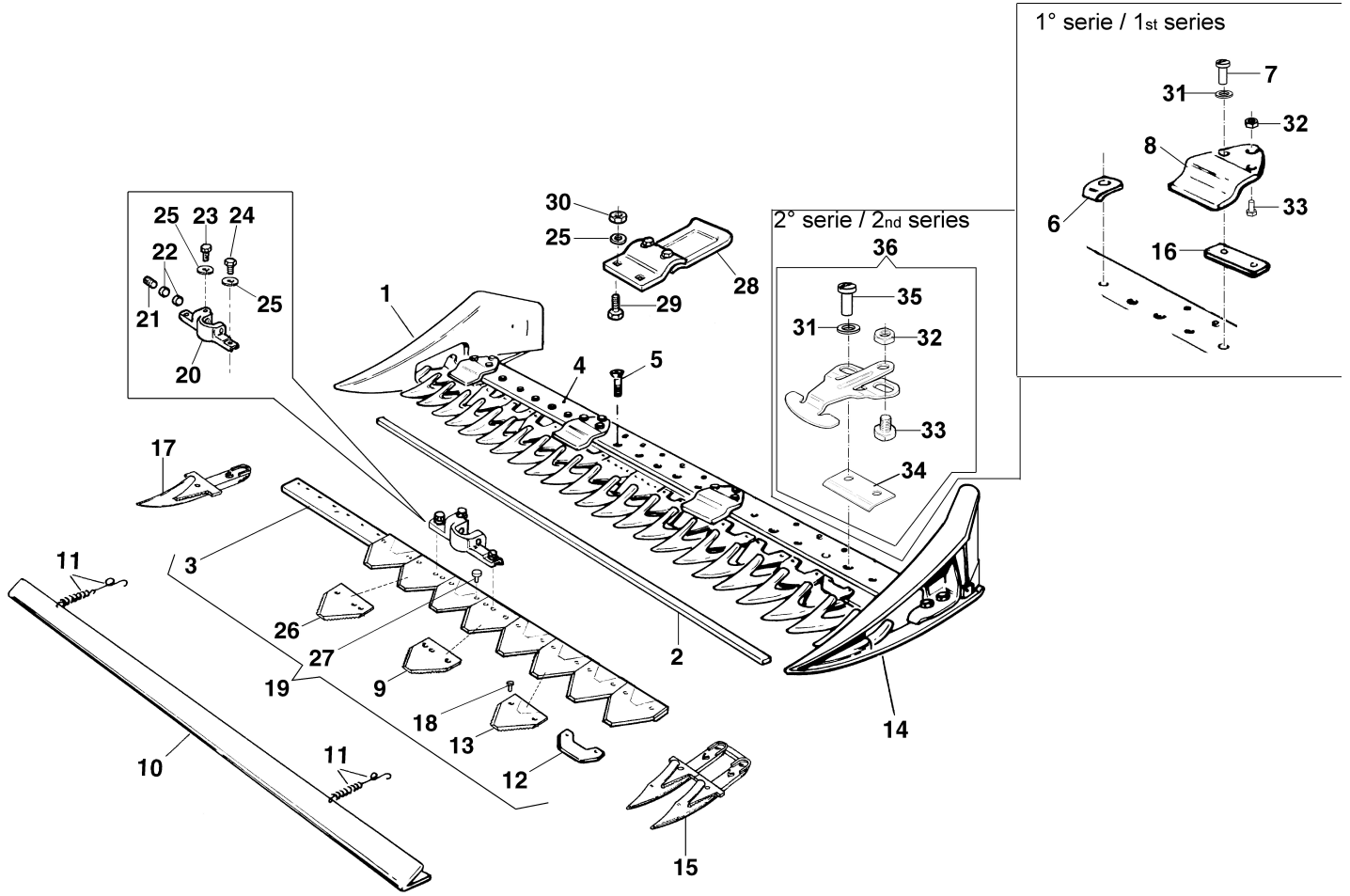


Illustration Special cutter bar 69229084/69229085/69229086/69229087

Ref.Nu	Qty	Part number	Description	Validity from	Validity till	Notes	Bulletin
1	1	69220015	Shoe			DX; RIGHT	
2	1	69220017	Rod			1150 mm	
2	1	F1073220	Slide			1450 mm	
2	1	F0591593	Slide			1270 mm	
2	1	F0712027	Slide			950 mm	
3	1	69220023	Rod				
4	1	F1303116	Plate			950 mm	
4	1	F1303117	Plate			1150 mm	
4	1	F1303118	Plate			1270 mm	
4	1	F1303119	Plate			1450 mm	
5	15	YN6325400	Screw				
6	4	69220018	Support		31/12/2013	Per barre / for bars:	BT6-006-07/14
7	8	3906099	Screw		31/12/2013	69229039/69229040/6922 Per barre / for bars:	BT6-006-07/14
8	4	69220047	Pressblade kit		31/12/2013	69229039/69229040/6922 Per barre / for bars:	BT6-006-07/14
9	1	F1073377R	Blade			69229039/69229040/6922 9041/69229042	
10	-	-	Not available for this product				
11	-	-	Not available for this product				
12	13	F1073317	Plate				
13	13	YF0582091	Blade				
14	1	69220016	Shoe			SX; LEFT	
15	11	F0582688	Tooth (Double)				
16	12	LS621107	Spacer			Per barre / for bars:	BT6-006-07/14
17	1	F0582738	Tooth (Single)			69229039/69229040/6922 9041/69229042	
18	28	YN0886600	Rivet				
19	1	YF1073385	Blade			1270 mm SF	
19	1	YF1073386	Blade			1450 mm SF	
19	1	YF1073384	Blade			1150 mm SF	
19	1	YF1073383	Blade			950 mm SF	
20	1	YF1073376B	Clutch driver				
21	1	N6433900	Screw				
22	2	YF1073364	Valve				
23	1	YN6262200	Screw				
24	2	3806063	Screw				
25	7	3819013R	Grower				
26	1	F1073378R	Blade				
27	2	F1073261	Rivet				
28	2	69220024R	Complete slide				
29	8	3806070R	Screw				
30	8	320000028R	Nut				
31	8	3916010R	Washer				BT6-006-07/14
32	4	N1462800	Nut				BT6-006-07/14
33	4	N6314900	Screw				BT6-006-07/14
34	4	LS621197	Press blade	01/01/2014			BT6-006-07/14
35	8	N6333300	Screw	01/01/2014			BT6-006-07/14
36	4	69220047	Pressblade kit	01/01/2014			BT6-006-07/14

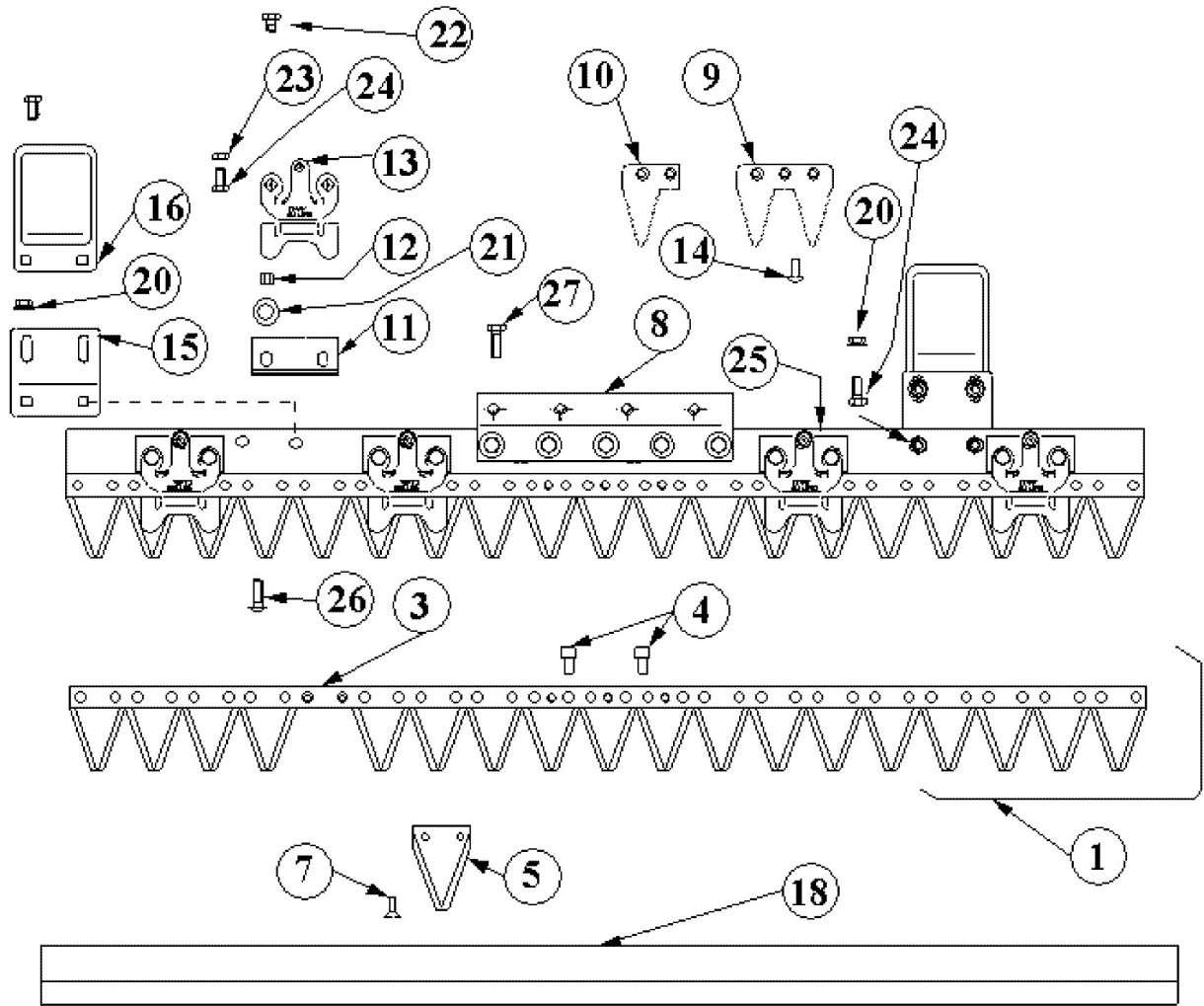
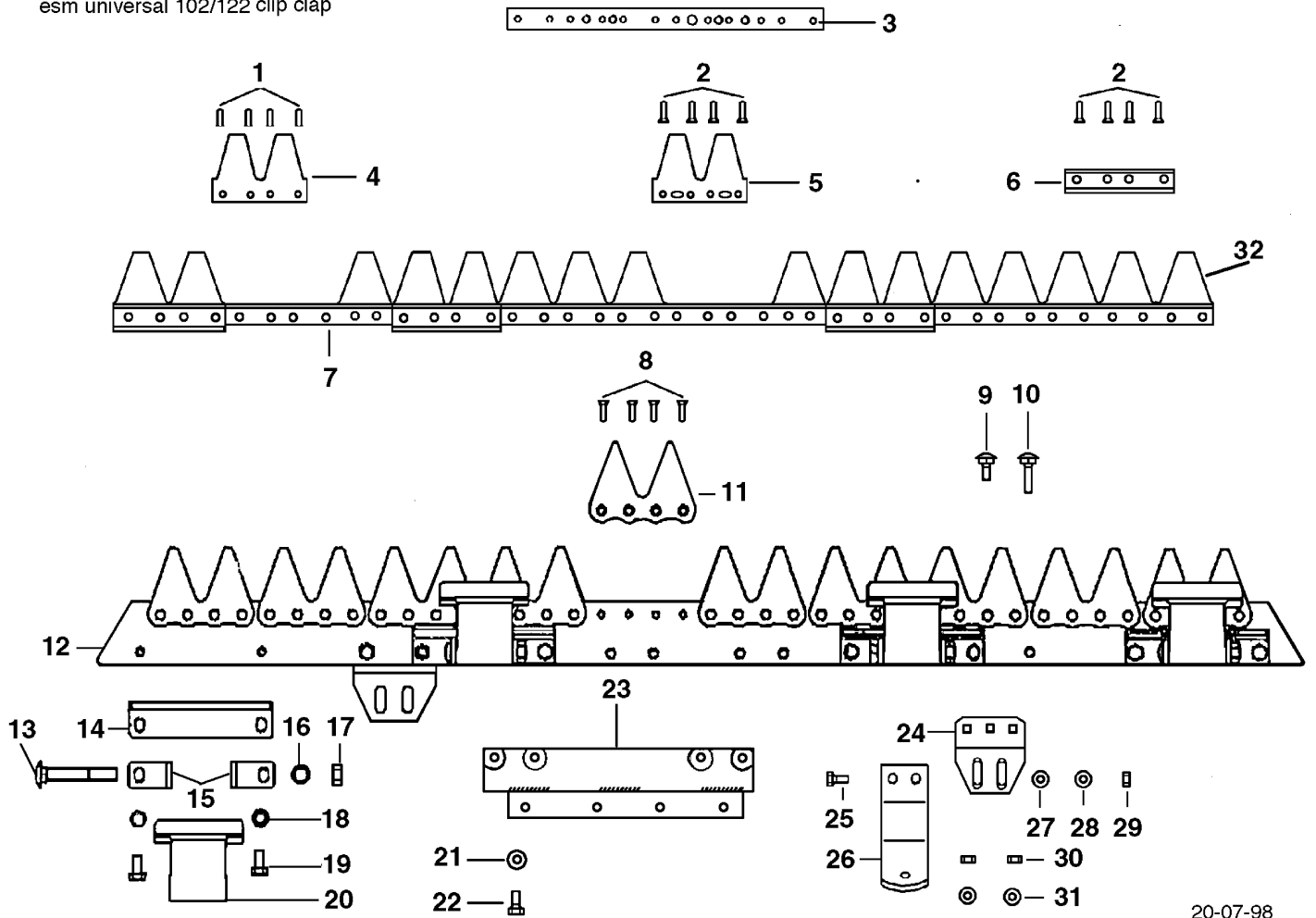


Illustration Special cutter bar 69229068/69229069/69229070/69229071

Ref.Nu	Qty	Part number	Description	Validity from	Validity till	Notes	Bulletin
1	1	YLS471906	Complete Blade			97 cm	
1	1	YLS472306	Complete Blade			117 cm	
1	1	YLS472506	Complete Blade			127 cm	
1	1	YLS472906	Complete Blade			147 cm	
3	1	LS3419225	Tube				
4	1	LS625231	Pin				
5	19	LS310067	Blade			3 fori; 3 holes	
7	36	LS213611	Rivet				
8	1	LS627027	Plate				
9	9	LS623122	Tooth (Double)			Dente doppio; Double tooth	
10	1	LS623124	Plate			Dente singolo; Singolo tooth	
11	6	LS621139	Blades support				
12	12	LS621144	Spacer				
13	6	LS621230	Pressblade				
14	24	LS215619R	Rivet				
15	2	LS621136	Support				
16	2	LS621172	Sliding block				
18	1	LS625056	Guard 97 cm			97 cm	
18	1	LS625061	Guard cm 117			117 cm	
18	1	LS625062	Guard cm 127			127 cm	
18	1	LS625064	Guard cm 147			147 cm	
20	8	LS7060008	Nut				
21	12	3916008R	Washer				
22	12	LS7000810	Screw				
23	6	320000028R	Nut				
24	4	LS7190825	Screw				
25	1	LS626923	Plate			97 cm	
25	1	LS626918	Plate			117 cm	
25	1	LS626924	Plate			127 cm	
25	1	LS626925	Plate			147 cm	
26	12	LS7190822	Screw				
27	5	3806063	Screw				

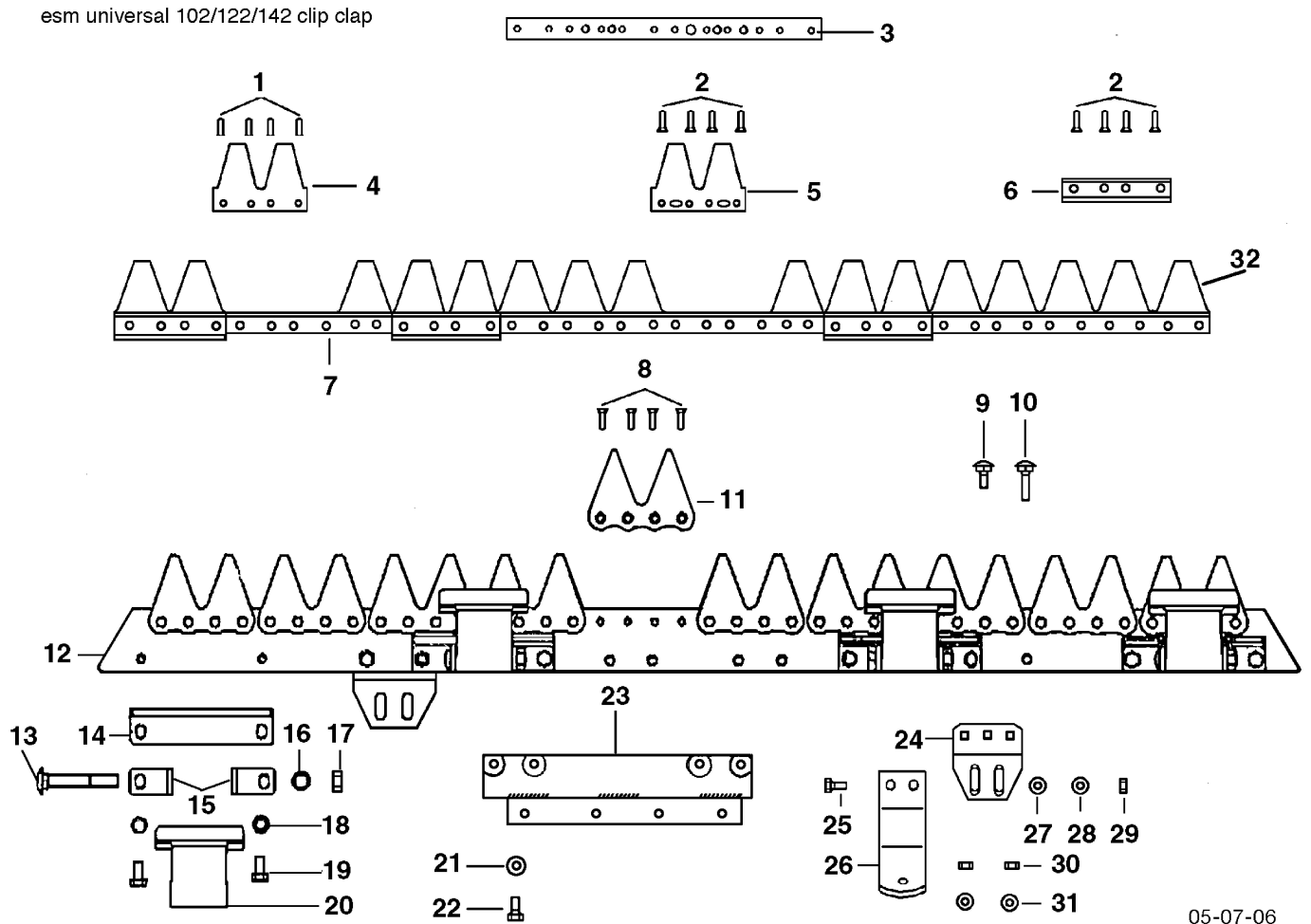
esm universal 102/122 clip clap



20-07-98

Illustration "UNIVERSAL" cutter bar 69229035/69229036

Ref.Nu	Qty	Part number	Description	Validity from	Validity till	Notes	Bulletin
1	1	R1504705	Rivet				
2	1	R1504706	Rivet				
3	1	F1073501	Plate				
4	1	F1073451	Shear blade (Double)				
5	1	F1073452	Shear blade (Double)				
6	1	F1073453	Slide				
7	1	YF1073468	Shear blade			122 cm	
7	1	F1073502	Back (Blade)			102 cm	
8	1	N0892500	Rivet				
9	-	-	Not available for this product				
10	-	-	Not available for this product				
11	1	F1073456	Tooth (Double)				
12	1	F1073505	Back (Bar)			102 cm	
12	1	F1073506	Back (Bar)			122 cm	
13	1	F1073462	Screw				
14	1	F1073458	Plate				
15	1	F1073459	Bracket				
16	-	-	Not available for this product				
17	1	N1464800	Nut				
18	-	-	Not available for this product				
19	1	3806063	Screw				
20	1	F1073457	Pusher				
21	1	YN4365400	Washer				
22	1	YN6254600	Screw				
23	1	F1073401	Connection plate				
24	1	F1073430	Attachment (Sole)				
25	1	3806067R	Screw				
26	1	F1073428	Sole				
27	1	3916008R	Washer				
28	1	YN4365400	Washer				
29	1	R1504723	Nut				
30	-	-	Not available for this product				
31	-	-	Not available for this product				
32	1	YF1073467	Shear blade			102 cm	
32	1	YF1073468	Shear blade			122 cm	



05-07-06

Illustration Cutter bar "clip clap" 69229035/69229036/69229021

Ref.Nu	Qty	Part number	Description	Validity from	Validity till	Notes	Bulletin
1	1	R1504705	Rivet				
2	1	R1504706	Rivet				
3	1	F1073501	Plate				
4	1	F1073451	Shear blade (Double)				
5	1	F1073452	Shear blade (Double)				
6	1	F1073453	Slide				
7	1	F1073504	Back (Blade)			142 cm	
7	1	F1073502	Back (Blade)			102 cm	
7	1	YF1073468	Shear blade			122 cm	
8	1	N0892500	Rivet				
9	-	-	Not available for this product				
10	-	-	Not available for this product				
11	1	F1073456	Tooth (Double)				
12	1	F1073506	Back (Bar)			122 cm	
12	1	F1073507	Back (Bar)			142 cm	
12	1	F1073505	Back (Bar)			102 cm	
13	1	F1073462	Screw				
14	1	F1073458	Plate				
15	1	F1073459	Bracket				
16	-	-	Not available for this product				
17	1	N1464800	Nut				
18	-	-	Not available for this product				
19	1	3806063	Screw				
20	1	F1073457	Pusher				
21	1	YN4365400	Washer				
22	1	YN6254600	Screw				
23	1	F1073401	Connection plate				
24	1	F1073430	Attachment (Sole)				
25	1	3806067R	Screw				
26	1	F1073428	Sole				
27	1	3916008R	Washer				
28	1	YN4365400	Washer				
29	1	R1504723	Nut				
30	-	-	Not available for this product				
31	-	-	Not available for this product				
32	1	YF1073467	Shear blade			102 cm	
32	1	YF1073468	Shear blade			122 cm	
32	1	F1073469	Shear blade			142 cm	

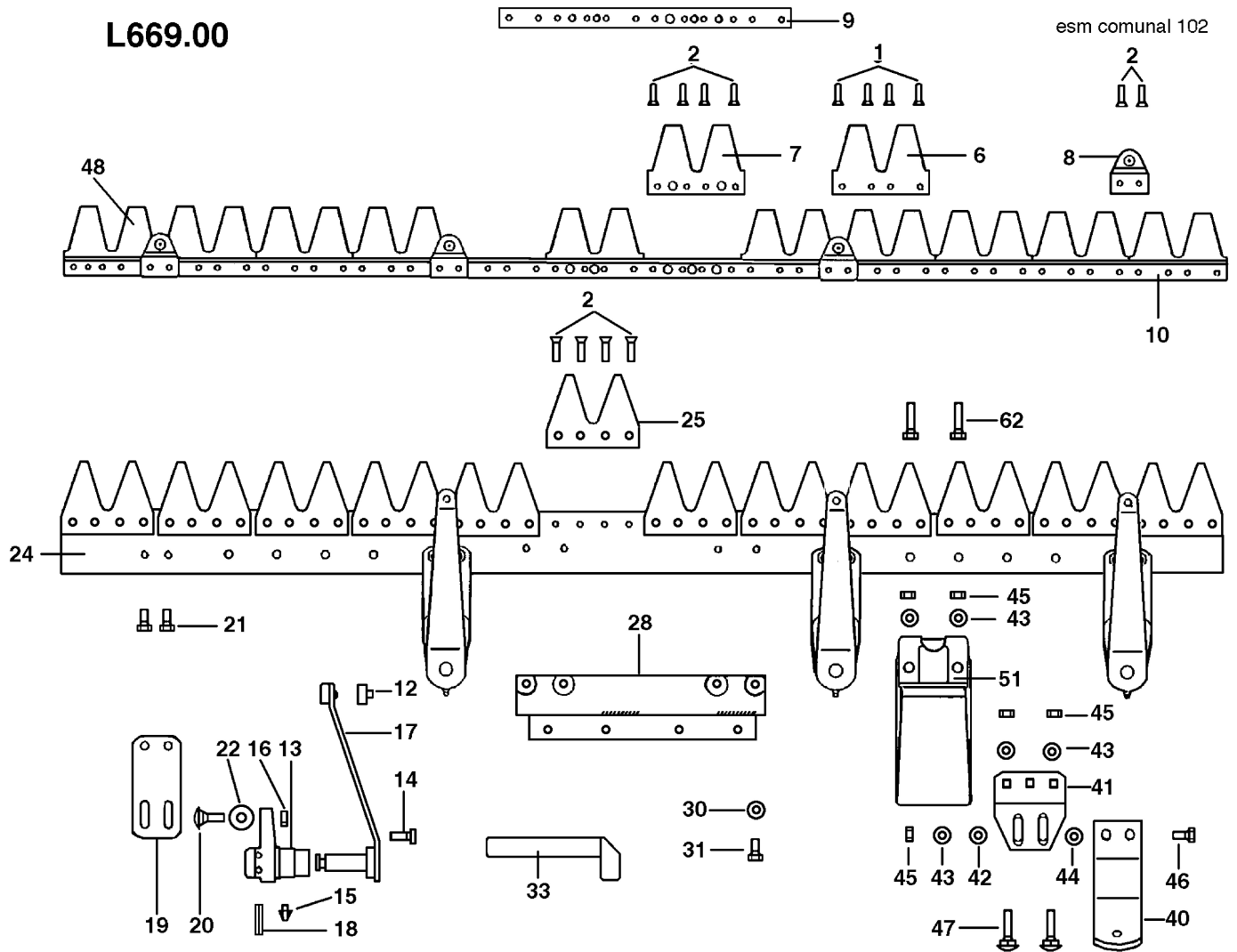


Illustration Cutter bar L0066900

Ref.Nu	Qty	Part number	Description	Validity from	Validity till	Notes	Bulletin
1	1	R1504705	Rivet				
2	1	R1504706	Rivet				
6	1	F1073451	Shear blade (Double)				
7	1	F1073452	Shear blade (Double)				
8	1	R1504764	Support				
9	1	F1073438	Plate				
10	1	F1073525	Back (Blade)			102 cm	
12	1	R1504773	Bushing				
13	1	R1504768	Support				
14	1	R1504769	Screw				
15	1	R1504770	Nipple				
16	1	R1504723	Nut				
17	1	R1504772	Swing arm				
18	1	R1504771	Pin				
19	1	F1073436	Plate				
20	1	F1073442	Screw				
21	1	YN6249300	Screw				
22	1	R1504776	Washer				
24	1	F1073526	Back (Bar)			102 cm	
25	1	F1073456	Tooth (Double)				
28	1	F1073401	Connection plate				
30	1	YN4365400	Washer				
31	1	YN6254600	Screw				
33	1	F1073415	Lever (Fitting)				
40	1	F1073428	Sole				
41	1	F1073430	Attachment (Sole)				
42	1	3916008R	Washer				
43	1	YN4365400	Washer				
44	1	F1073443	Washer				
45	1	R1504723	Nut				
46	1	3806067R	Screw				
47	1	R1504720	Screw				
48	1	F1073524	Blade			102 cm	
51	1	F1073432	Slide shoe				
62	1	3806070R	Screw				

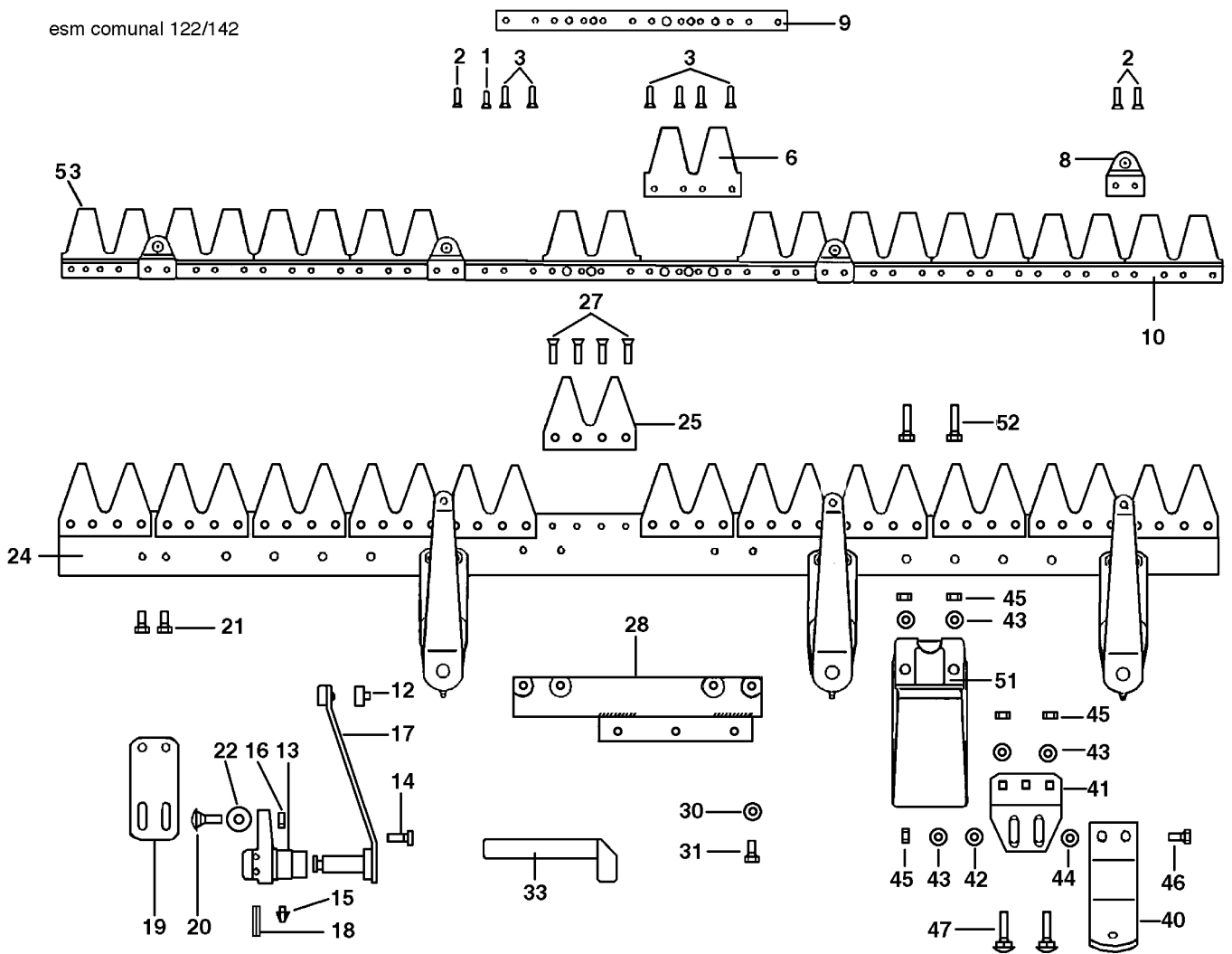


Illustration "COMUNAL" cutter bar 69229037/69229038

Ref.Nu	Qty	Part number	Description	Validity from	Validity till	Notes	Bulletin
1	1	R1504705	Rivet				
2	1	R1504706	Rivet				
3	1	F1073441	Rivet				
6	1	R1504709	Shear blade (Double)				
8	1	R1504764	Support				
9	1	F1073438	Plate				
10		-	Not available for this product				
12	1	R1504773	Bushing				
13	1	R1504768	Support				
14	1	R1504769	Screw				
15	1	R1504770	Nipple				
16	1	R1504723	Nut				
17	1	R1504772	Swing arm				
18	1	R1504771	Pin				
19	1	F1073436	Plate				
20	1	F1073442	Screw				
21	1	YN6249300	Screw				
22	1	R1504776	Washer				
24	1	F1073417	Back (Bar)			122 cm	
24	1	F1073418	Back (Bar)			142 cm	
25	1	F1073422	Tooth (Double)				
27	1	N0892500	Rivet				
28	1	F1073401	Connection plate				
30	1	YN4365400	Washer				
31	1	YN6254600	Screw				
33	1	F1073415	Lever (Fitting)				
40	1	F1073428	Sole				
41	1	F1073430	Attachment (Sole)				
42	1	3916008R	Washer				
43	1	YN4365400	Washer				
44	1	F1073443	Washer				
45	1	R1504723	Nut				
46	1	3806067R	Screw				
47	1	R1504720	Screw				
51	1	F1073432	Slide shoe				
52	1	3806070R	Screw				
53	1	YF1073409	Shear blade			122 cm	
53	1	F1073410	Shear blade			142 cm	