

## FC 120 (K800 H) Mower



### Documents

Hood and handlebar rod

Handlebars and controls

Internals controls

Speed gears (Gearbox)

Speed-change gear box and wheels

Cam drive 69229030 (till October 2015)

Special cutter bar L0114101 (till October 2015)

Cam drive 69229092 (from November 2015)

Cutter bar 69222011 (from November 2015)

Mechanical movement 69229027

Oil bath movement 69229032

Middle fingers cutter bar 69229084/69229085/69229086/69229087

Special cutter bar 69229018/69229017/69229019

"UNIVERSAL" cutter bar 69229035/69229036

Cutter bar L0066900

ESM "COMUNAL" cutter bar 69229037

Cylinder head

Ignition system

Crankcase

Crankcase cover

Crankshaft and piston

Valve and governor

Flywheel and coil

Control lever

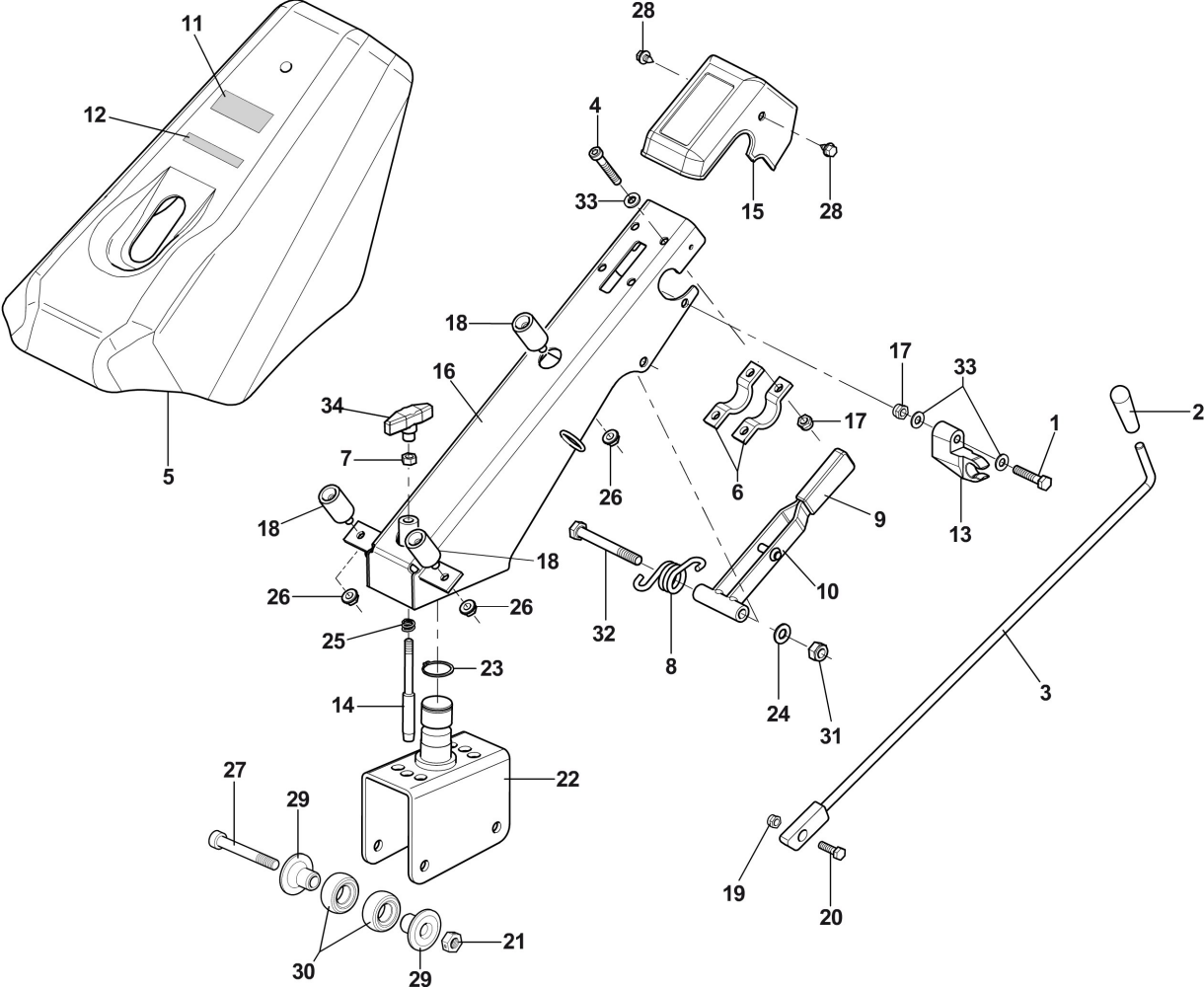
Muffler

Air filter

Tank

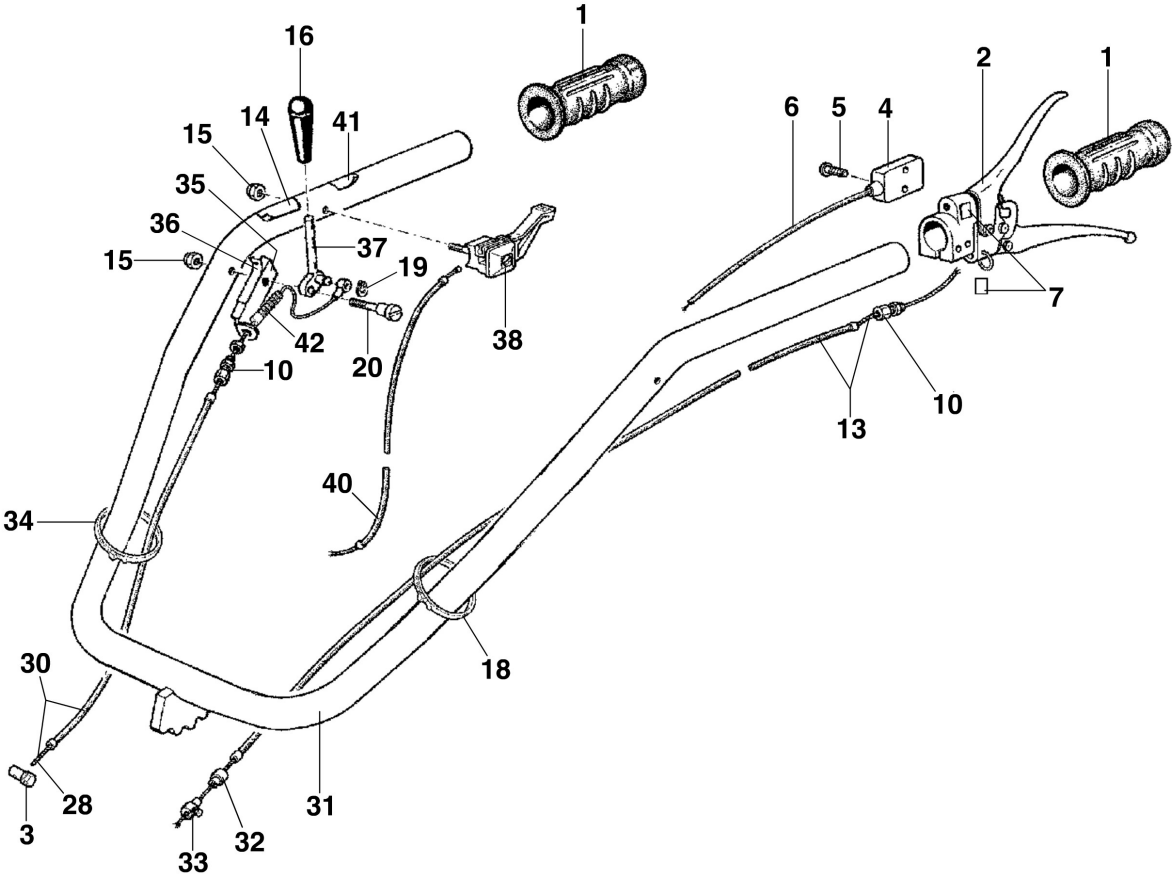
Carburettor and deflector

Illustration Hood and handlebar rod



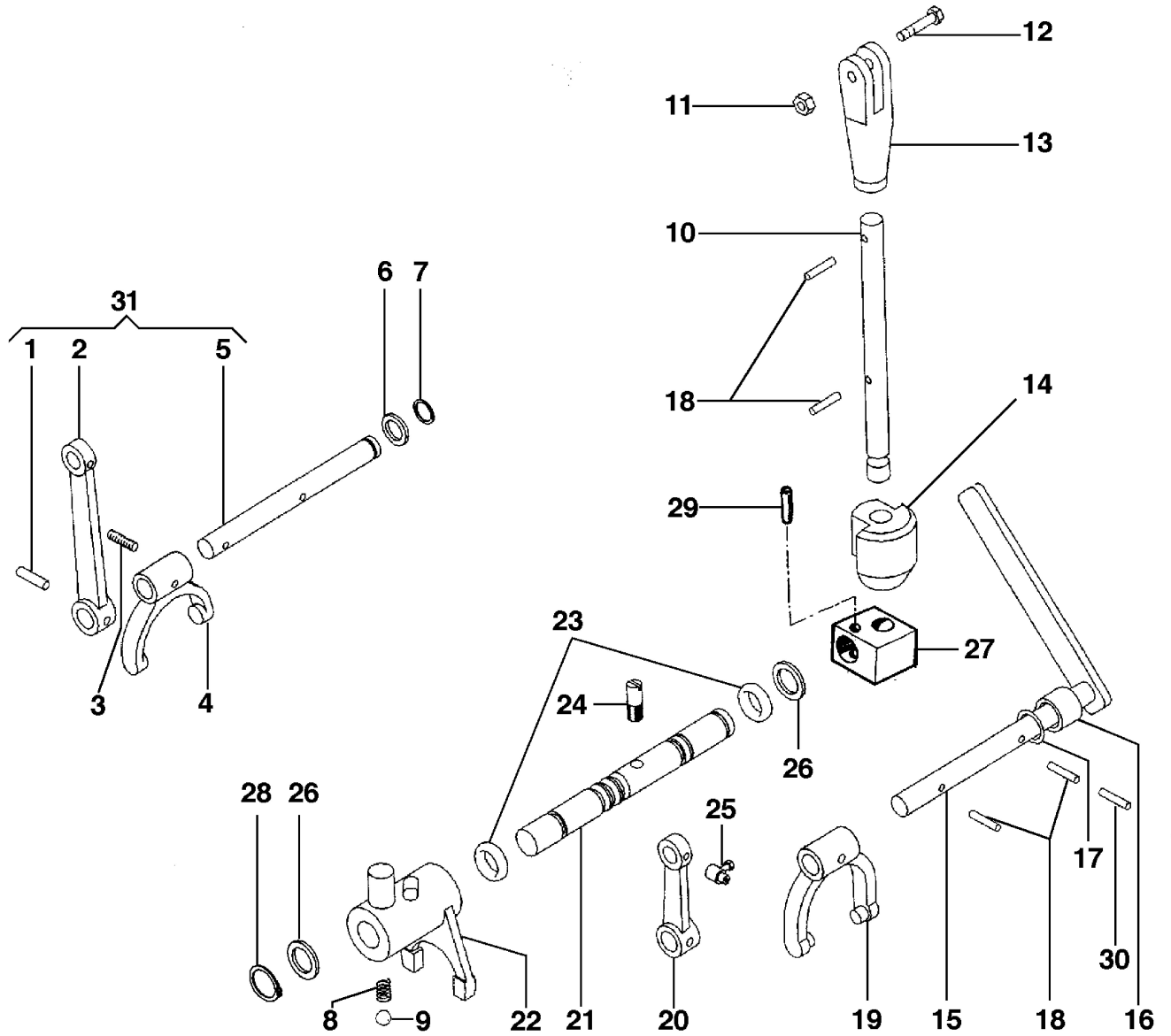
## Illustration Hood and handlebar rod

Ref.Nu	Qty	Part number	Description	Validity from	Validity till	Notes	Bulletin
1	1	3806067R	Screw				
2	1	YN3753600	Knob				
3	1	YF1251626	Rod				
4	4	YN6289250	Screw				
5	1	YF1222100B	Hood			Rosso ; Red	
6	2	YF1151601	Clamp				
7	1	YN1457300	Nut				
8	1	YF1291634B	Spring				
9	1	YN2840480	Knob				
10	1	YF1291636	Lever				
11	1	68910155R	Mark (FC120)				
12	1	3056374R	Mark (Made in Italy)				
13	1	YF1255009D	Support				
14	1	YF1251637	Shutter				
15	1	68240022R	Cover				
16	1	68910105R	Handlebar rod				
17	2	3914010R	Nut				
18	3	YF0752159	Silent block				
19	1	3914006R	Nut				
20	1	3906016R	Screw				
21	2	YN1463650	Nut				
22	1	68910118R	Column support (Set)				
23	1	YN0124100	Seeger				
24	1	3916010R	Washer				
25	1	YK3503360	Spring				
26	7	320000028R	Nut				
27	2	YN6357200	Screw				
28	2	YN6243651	Screw				
29	4	YK3501080	plate				
30	4	YK0300910	Shock absorber				
31	1	3914014R	Nut				
32	1	YN6361500	Screw				
33	6	3916008R	Washer				
34	1	YN3753000	Knob				



## Illustration Handlebars and controls

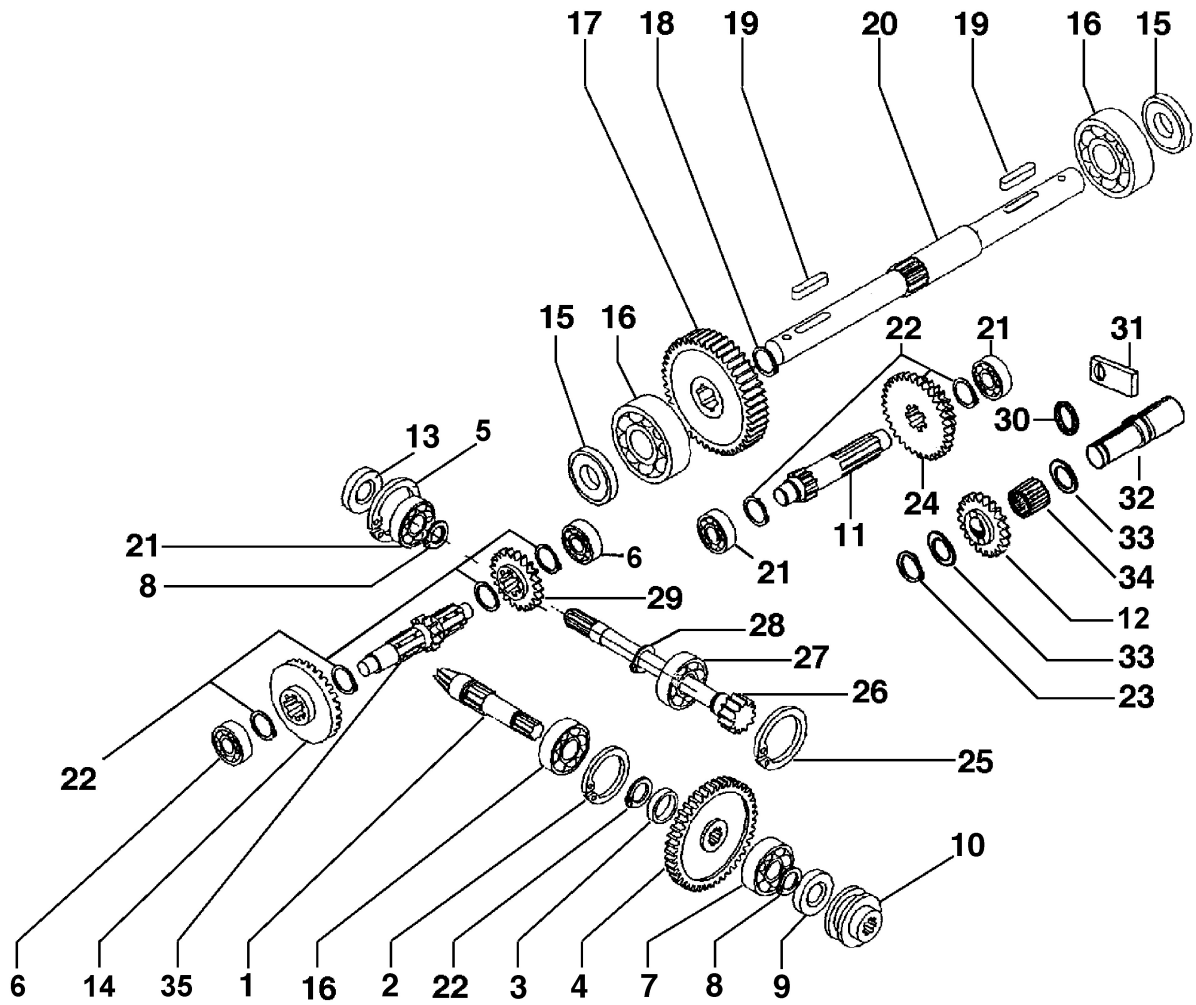
Ref.Nu	Qty	Part number	Description	Validity from	Validity till	Notes	Bulletin
1	2	YN2847300	Knob				
2	1	YN2806110	Handle				
3	1	YN5901000	Clamp				
4	1	N2542360	Switch				
5	2	YN6182150	Screw				
6	1	YF1182601	Cable				
7	1	YN5380660	Mark (Clutch)			Su richiesta; Upon request	
10	2	YN5801000	Adjuster assy				
13	1	YN5485750B	Transmission				
14	1	YN5380870	Mark (Instruction)			Su richiesta; Upon request	
15	2	3914006R	Nut				
16	1	YN3752300	Knob				
18	4	YN1762150	Band				
19	1	3024008	Snap ring				
20	1	YF1061613	Pin				
28	1	N5649008	Rope				
30	1	68330194	Transmission				
31	1	68910082	Handle kit				
32	1	YN5852100A	Clamp				
33	1	YN5901500	Clamp				
34	2	YN1764000	Band				
35	1	YF1091687	Support				
36	1	YF1091690	Mark			Su richiesta; Upon request	
37	1	YF1091657	Lever				
38	1	YN2803650	Fuel control				
40	1	YN5467270	Transmission				
41	1	YN5380805	Mark (Accelerator)			Su richiesta; Upon request	
42	1	YF1370387	Guard				



## Illustration Internals controls

Ref.Nu	Qty	Part number	Description	Validity from	Validity till	Notes	Bulletin
1	1	-	Not available for this product				
2	1	-	Not available for this product				
3	1	YK3501070	Screw				
4	1	YK3500940	Clip				
5	1	-	Not available for this product				
6	1	YN5001700	Washer				
7	1	3024012R	Snap ring				
8	1	YN3101500	Spring				
9	1	YN4743200	Ball				
10	1	YF1241613	Lever				
11	1	3914006R	Nut				
12	1	3801024R	Screw				
13	1	YF1241619	Bushing				
14	1	YF1241614	Shoe				
15	1	YF1241623	Shaft (Complete)				
16	1	YN0403000	Bushing				
17	1	3916012R	Washer				
18	1	YN5113800	Pin				
19	1	YK3500140	Clip				
20	1	YK3500510	Lever				
21	1	YF1241615E	Shaft				
22	1	YF1250860D	Fork				
23	1	YN0306000	O-ring				
24	1	YF1250816C	Screw				
25	1	YN5901500	Clamp				
26	1	YN5002600	Thickness			SP. 0,5mm ; THK 0.5mm	
26	1	YN5002610	Thickness			SP. 1mm ; THK 1mm	
27	1	YF1241616	Support				
28	1	3024016R	Seeger				
29	1	YN5126100	Pin				
30	1	YN5101450	Pin				
31	1	YF1250856	Control rod				

Illustration Speed gears (Gearbox)



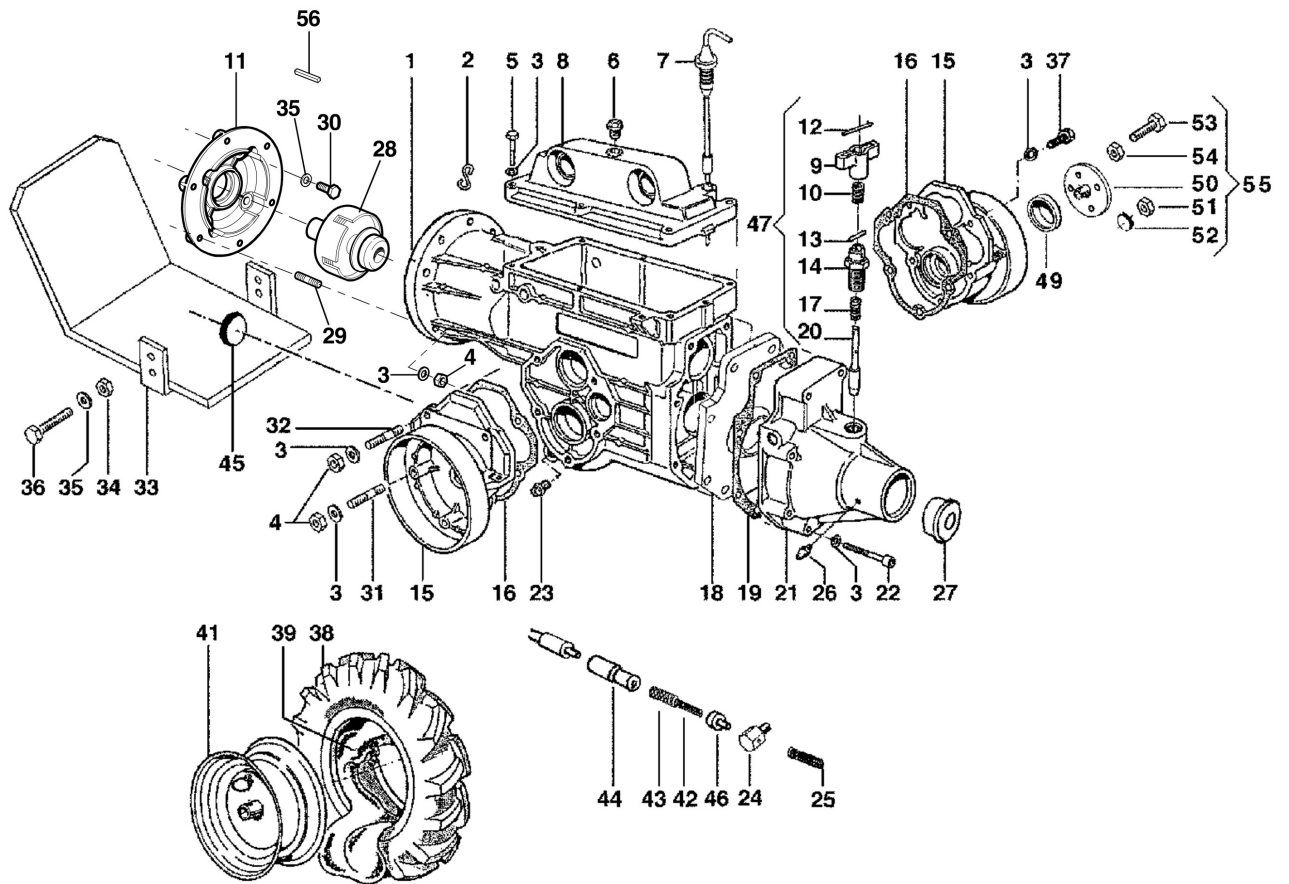


## Illustration Speed gears (Gearbox)

---

Ref.Nu	Qty	Part number	Description	Validity from	Validity till	Notes	Bulletin
1	1	YF1250809	Sprocket				
2	1	YN0130900	Seeger				
3	1	YF1250808	Spacer				
4	1	YF1250804	Gear				
5	1	3025022R	Seeger				
6	1	094000006R	Bearing				
7	1	YN1257700	Bearing				
8	1	3024015R	Seeger				
9	1	YK7032002	Ring				
10	1	YF1250805	Bushing				
11	1	YF1250812	Gear				
12	1	YF1240805	Gear				
13	1	YN0204850	Ring				
14	1	YF1250810	Rim				
15	3	YN0207300	Seal ring				
16	3	YN1263100	Bearing				
17	1	YF1250813	Gear				
18	1	YN0118500	Seeger				
19	1	YK7811007	Key				
20	1	YF1250814	Axle				
21	3	YN1257000	Bearing				
22	1	3024020R	Seeger				
23	1	3024012R	Snap ring				
24	1	YF1240801	Gear				
25	1	YN0130000	Seeger				
26	1	YF1240800	Shaft				
27	1	YN1258800	Bearing				
28	1	YN0112700	Seeger				
29	1	YF1250861	Gear				
30	1	YN0306000	O-ring				
31	1	YF1240803	Plate				
32	1	YF1240806	Pin				
33	2	YN5001750	Thickness				
34	1	3037026R	Roller cage				
35	1	YF1250811	Shaft				

# Illustration Speed-change gear box and wheels



## Illustration Speed-change gear box and wheels

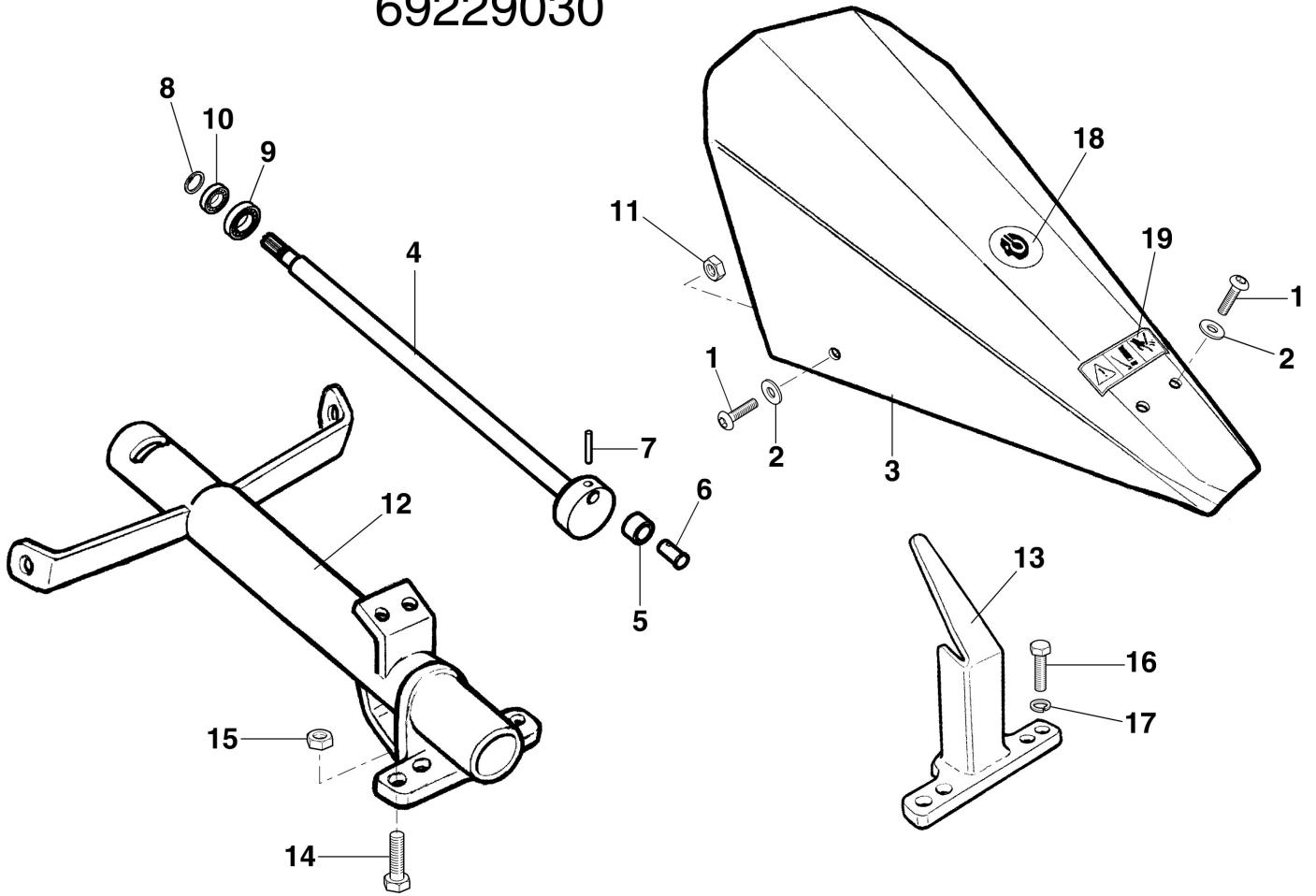
Ref.Nu	Qty	Part number	Description	Validity from	Validity till	Notes	Bulletin
1	1	YF1250822	Speed-change gear box				
2	1	F0005621	Hook				
3	1	YN4365400	Washer				
4	1	320000028R	Nut				
5	1	3806067R	Screw				
6	1	YN5253930	Cap				
7	1	YK3500410	Rod				
8	1	YK3500400E	Cover				
9	1	YK3500330A	Knob				
10	1	YK7903016	Spring				
11	1	68310038AR	Flange				
12	1	YN5106600	Pin				
13	1	3022012R	Pin				
14	1	YF1250843	Shutter				
15	1	YK3500420	Cover (Wheel)				
16	1	YK3500470	Gasket				
17	1	YK3503360	Spring				
18	1	YF1250806	Flange				
19	1	YK3500460	Gasket				
20	1	YF1250842	Shutter				
21	1	YF1250807	Support				
22	8	YN6291000	Screw				
23	1	YK8536001	Cap				
24	1	YF1241618	Retainer (Sheath)				
25	1	YK7903009	Spring				
26	1	YN2603800	Nipple				
27	1	321000001R	Cap				
28	1	YF1200029	Clutch 3 disk				
29	4	YN3815300	Stud				
30	4	YN6262200	Screw				
31	6	YN3825650	Stud				
32	4	YN3813200	Stud				
33	1	68640136R	Guard				
34	1	320000028R	Nut				
35	8	YN4365400	Washer				
36	4	3806074R	Screw				
37	1	3806067R	Screw				
38	2	YN4851600	Tire			4.00-8"	
39	1	YN4881100	Inner tube			4.00-8"	
41	2	69200098R	Rim			4.00-8"	
42	1	YK7903004	Spring				
43	1	YK7903018	Spring				
44	1	YK1101850	Spring holder				
45	1	YN5265050	Cap				
46	1	YN5852100A	Clamp				
47	1	YR0000127	Shutter set				

## Illustration Speed-change gear box and wheels

---

Ref.Nu	Qty	Part number	Description	Validity from	Validity till	Notes	Bulletin
49	1	YF1254719	Guard				
50	1	YF1254720	Hub				
51	8	006000091R	Nut				
52	8	3819014R	Grower				
53	2	YN6234500	Screw				
54	1	3914006R	Nut				
55	1	L0121700	Pair of spacers for mounting 16.650-8/4.00-10				
56	1	YN0643450	Key				

# 69229030

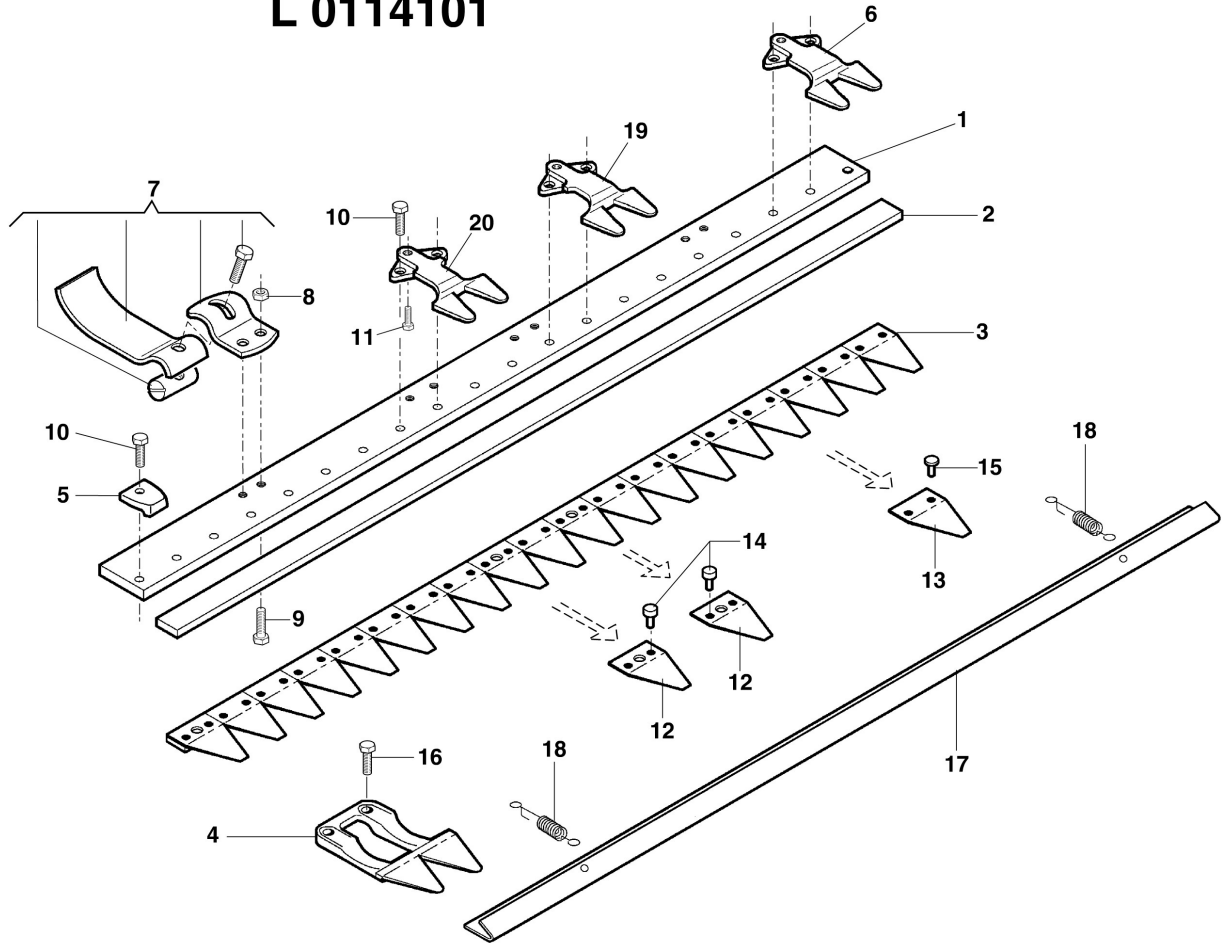


## Illustration Cam drive 69229030 (till October 2015)

---

Ref.Nu	Qty	Part number	Description	Validity from	Validity till	Notes	Bulletin
1	4	N6259750	Screw				
2	4	CV020053	Washer				
3	1	CV013714	Hood				
4	1	CV014095	Shaft				
5	1	F1053337	Roller				
6	1	F1053336	Pin				
7	1	CV023660	Pin				
8	1	YN0112700	Seeger				
9	1	300081031	Bearing				
10	1	YN1258020	Bearing				
11	4	3914010R	Nut				
12	1	CV013716	Support				
13	1	CV014080	Clutch driver				
14	4	N6333300	Screw				
15	4	CV020484	Nut				
16	2	YN6255400	Screw				
17	2	CV024132	Washer				
18	1	N5383405	Mark (Protection)			Su richiesta; Upon request	
19	1	N5381650	Mark (Danger)			Su richiesta; Upon request	

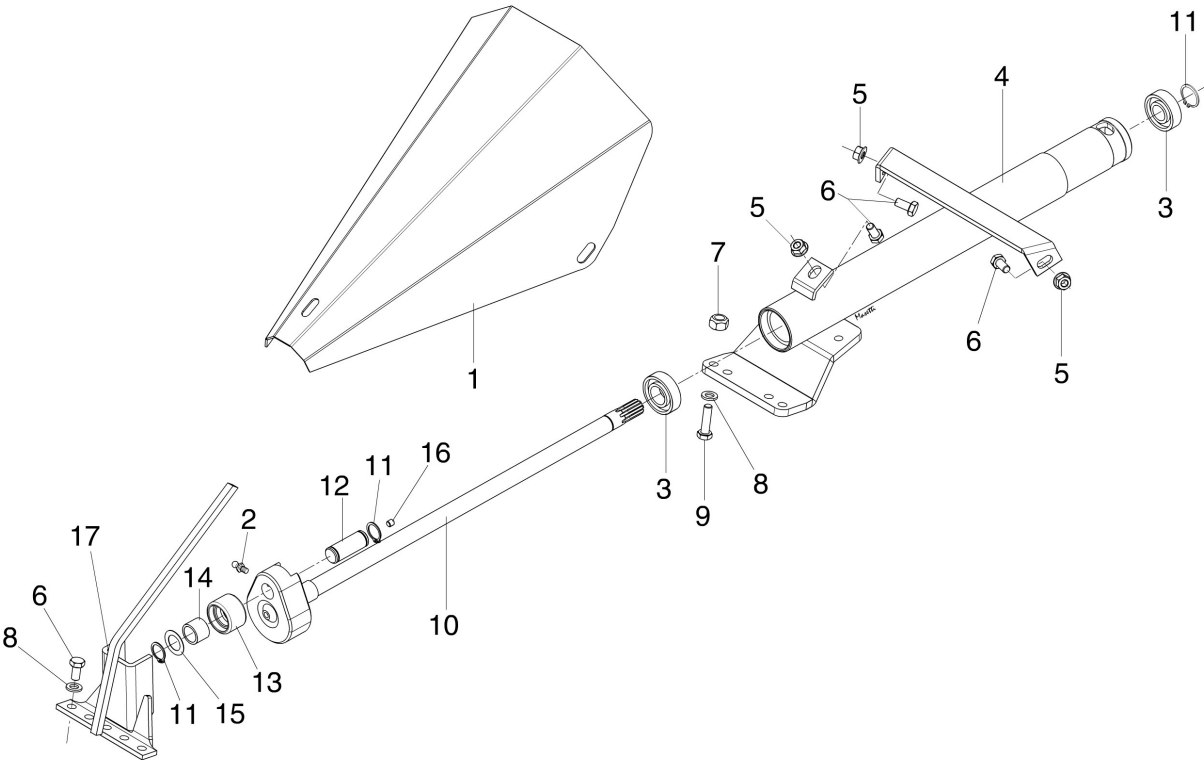
# L 0114101



## Illustration Special cutter bar L0114101 (till October 2015)

Ref.Nu	Qty	Part number	Description	Validity from	Validity till	Notes	Bulletin
1	1	CV014096	Bar			102 cm	
2	1	F0712027	Slide				
3	1	YF1073349	Blade			100 cm	
4	10	F1113114	Tooth (Double)				
5	4	YF0582687	Plate				
6	4	F1113112	Press blade (Long)				
7	2	R1503545	Sole				
8	4	3914010R	Nut				
9	4	3806067R	Screw				
10	16	N6333300	Screw				
11	6	N6245800	Screw				
12	3	YF1073273	Blade				
13	16	F1073216R	Blade				
14	2	F1073261	Rivet				
15	36	YN0886600	Rivet				
16	4	YN6325400	Screw				
17	1	CV013593	Guard				
18	2	F0742013	Hook				
19	1	F1253048	Press blade			SX; LEFT	
20	1	F1253047	Press blade			DX; RIGHT	

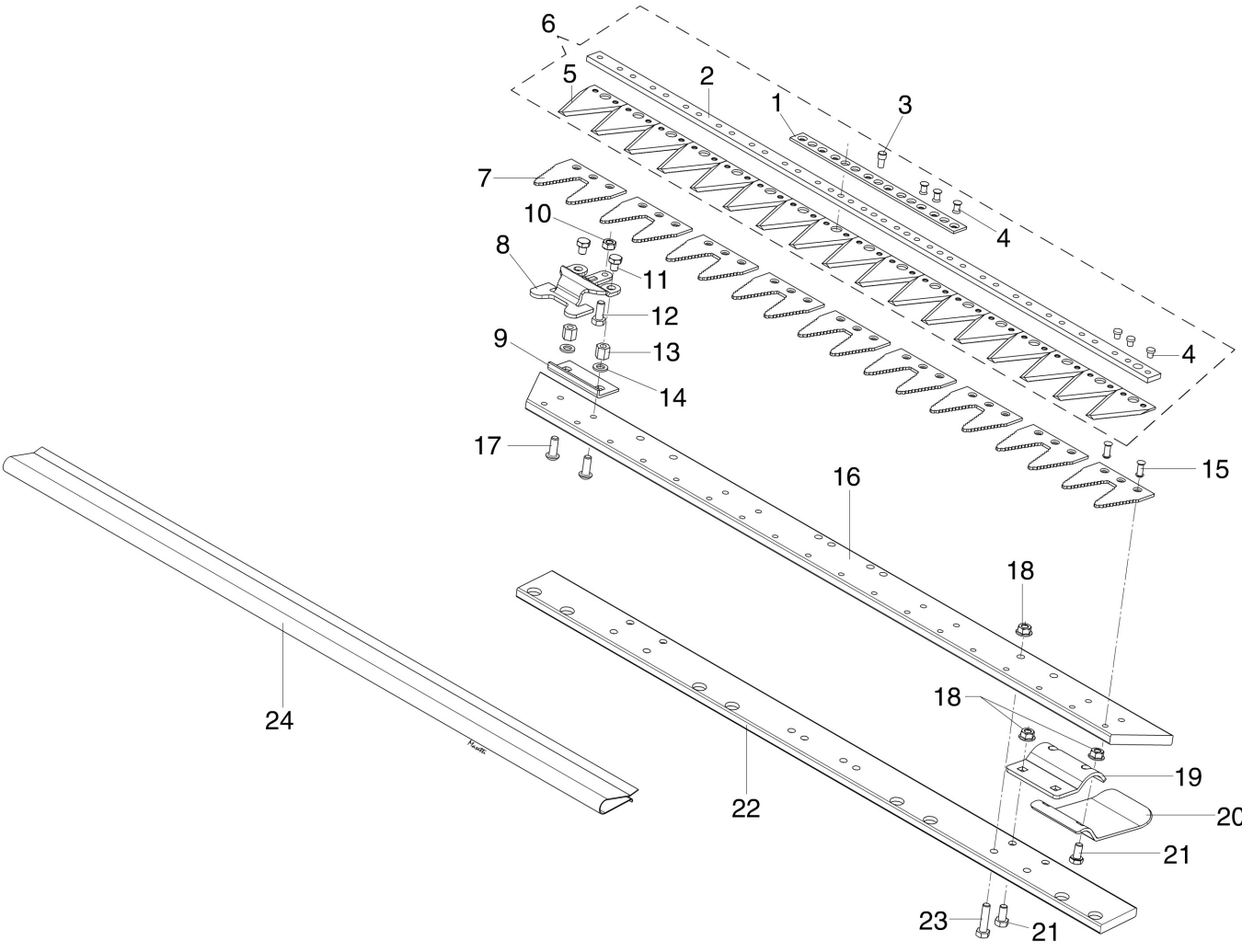




## Illustration Cam drive 69229092 (from November 2015)

---

Ref.Nu	Qty	Part number	Description	Validity from	Validity till	Notes	Bulletin
1	1	LS611059	Hood			Rosso ; red	
2	1	LS500001	Nipple				
3	2	LS591007	Bearing				
4	1	LS611040	Supporting frame				
5	12	LS7060008	Nut				
6	8	LS7000816	Screw				
7	4	LS7310002	Nut				
8	6	LS7092901	Washer				
9	4	LS7000835	Screw				
10	1	LS611041	Shaft				
11	3	LS594017	Snap ring				
12	1	LS611048	Pin				
13	1	LS611043	Bushing				
14	1	LS591030	Ring				
15	1	LS591031	Washer				
16	1	LS7110606	Grub screw				
17	1	LS611049	Head blade				

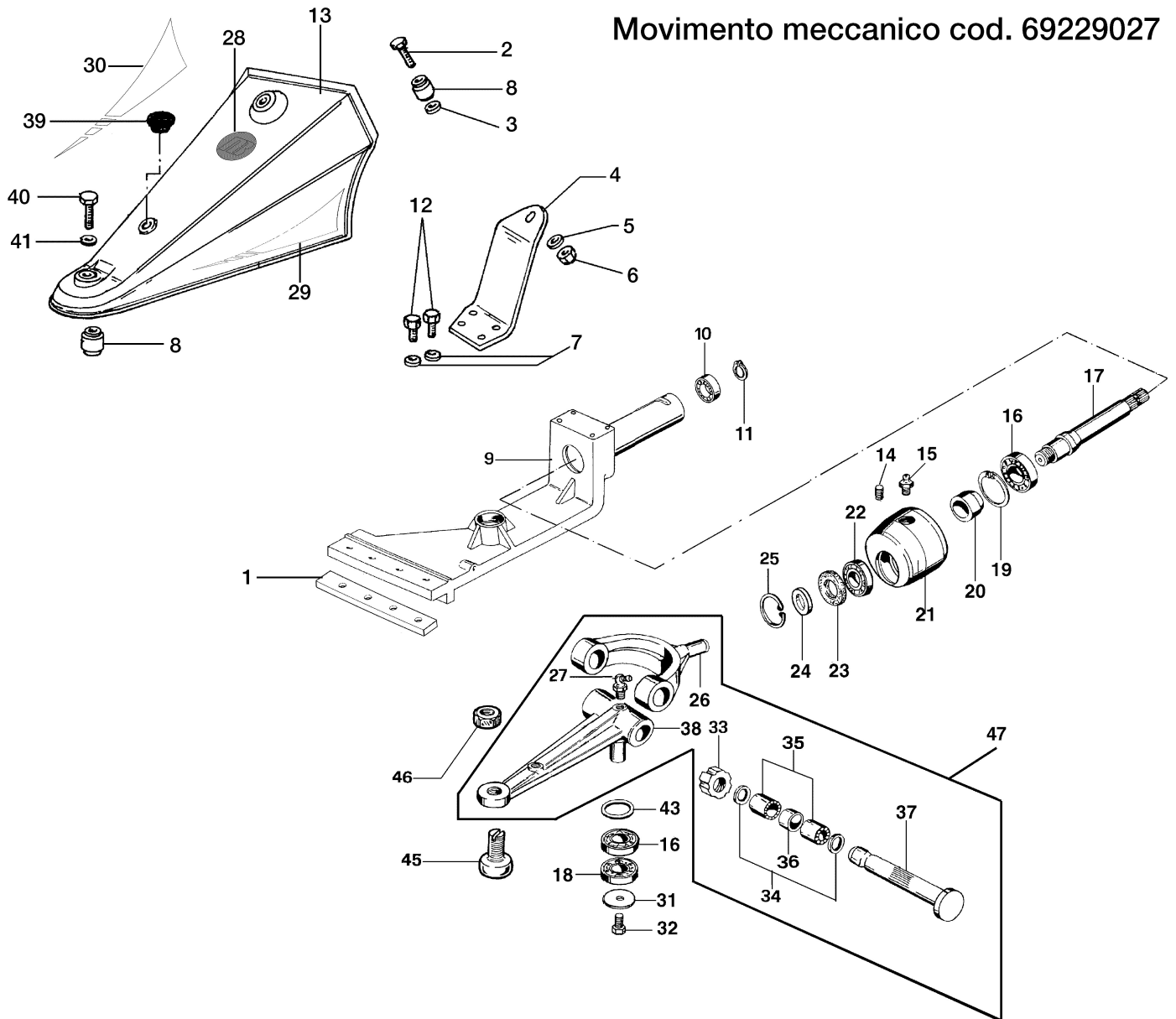


## Illustration Cutter bar 69222011 (from November 2015)

---

Ref.Nu	Qty	Part number	Description	Validity from	Validity till	Notes	Bulletin
1	1	LS625217	Plate				
2	1	LS3417125	Tube				
3	1	LS625049	Pin				
4	34	YLS628065	Rivet				
5	17	LS310067	Blade				
6	1	LS471704	Bar assy 92 cm				
7	9	LS623122	Tooth (Double)				
8	4	LS621230	Pressblade				
9	4	LS621139	Blades support				
10	4	LS7020008	Nut				
11	8	LS7000810	Screw				
12	4	LS7000820	Screw				
13	8	LS621135	Spacer				
14	8	LS7090008	Washer				
15	18	LS215619R	Rivet				
16	1	LS626911	Plate			cm.92	
17	8	LS7190822	Screw				
18	12	LS7060008	Nut				
19	2	LS621136	Support				
20	2	LS621172	Sliding block				
21	8	LS7000816	Screw				
22	1	LS621199	Counterweight				
23	4	LS7000825	Screw				
24	1	LS625055	Guard 92 cm				

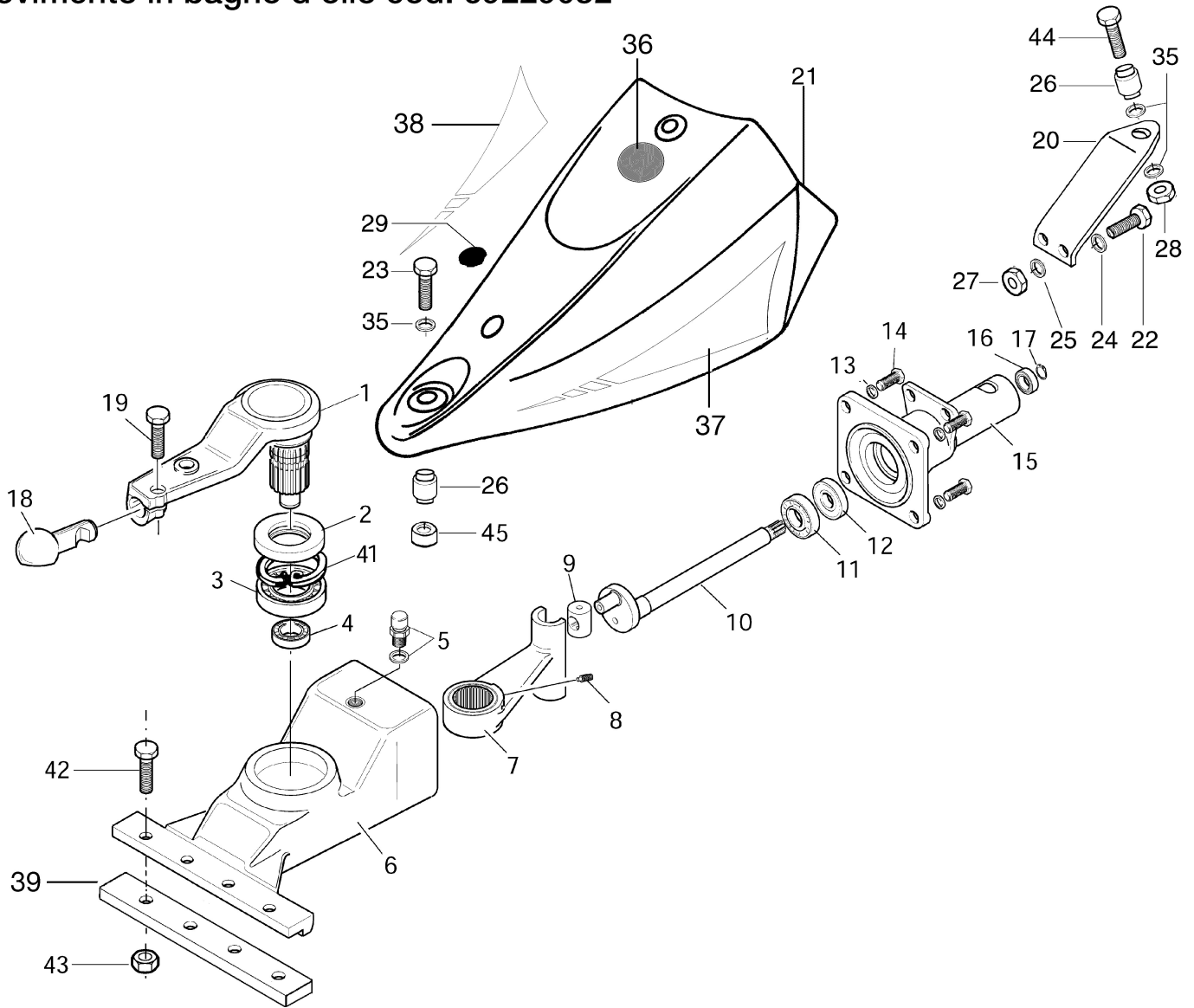
Movimento meccanico cod. 69229027



## Illustration Mechanical movement 69229027

Ref.Nu	Qty	Part number	Description	Validity from	Validity till	Notes	Bulletin
1	1	L0081100	Washer			Utilizzare con ruote > 4.00/5.00-10"; Use with wheels > 4.00/5.00-10"	
2	1	N6399710	Screw				
3	1	3916012R	Washer				
4	1	F1073346	Support				
5	1	3916012R	Washer				
6	1	YN1470200	Nut				
7	1	3819013R	Grower				
8	2	N4924000	Silent block				
9	1	F1253002	Support				
10	1	YN1257600	Bearing				
11	1	K7002003	Ring				
12	1	3806063	Screw				
13	1	69222001	Hood				Rosso; Red
14	1	K8719008	Screw				
15	1	YN2605600	Nipple				
16	1	YN1271100	Bearing				
17	1	F1253004	Shaft				
18	1	N1270400	Bearing				
19	1	YN0136800	Seeger				
20	1	YF1073145	Spacer				
21	1	YF1073105	Floating head				
22	1	N1258301	Bearing				
23	1	YN0207500	Ring				
24	1	YN4429200	Washer				
25	1	YN0130000	Seeger				
26	1	F1073513	Clip				
27	1	YN2605600	Nipple				
28	1	68250018R	Plate NIBBI			Su richiesta; Upon request	
29	1	68910014	Mark			Su richiesta; Upon request	
30	1	68910015	Mark			Su richiesta; Upon request	
31	1	YF1073372	Washer				
32	1	N6320500	Screw				
33	1	N2101600	Ring nut				
34	1	N5002850	Spacer				
35	1	YN1261350	Bearing				
36	1	YF1073190	Spacer				
37	1	F1073191	Pin				
38	1	YF1073375	Connecting rod				
39	1	YN5265900	Cap				
40	1	N6399710	Screw				
41	1	3916012R	Washer				
43	1	YN5005400	Spacer				
45	1	YF1073260	Pin				
46	1	N1474500	Nut				
47	1	P0001289	Support kit				

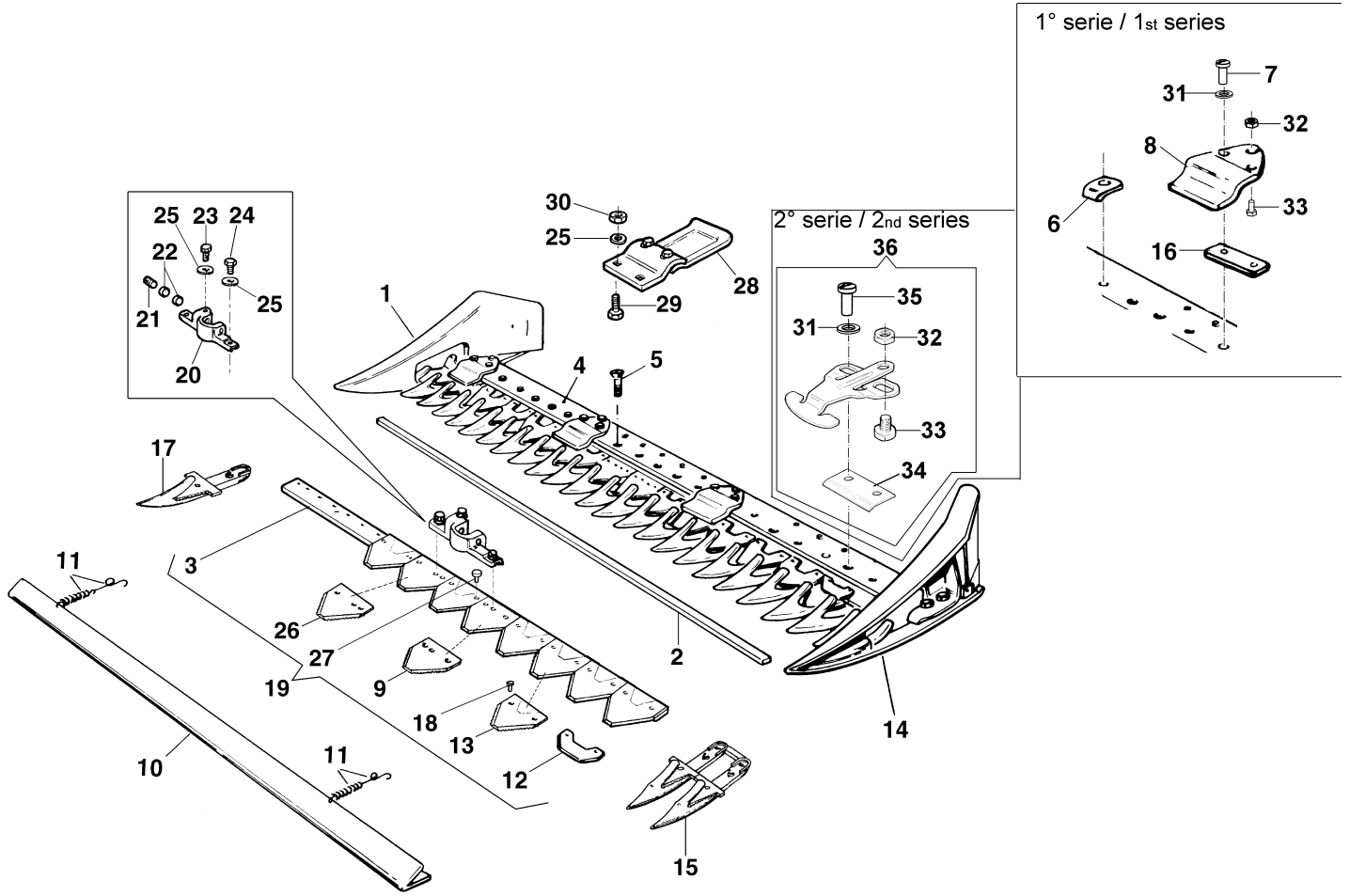
### Movimento in bagno d'olio cod. 69229032



## Illustration Oil bath movement 69229032

Ref.Nu	Qty	Part number	Description	Validity from	Validity till	Notes	Bulletin
1	1	69220060R	Connecting rod				
2	1	YN0222805	Ring				
3	1	YN1289200	Bearing				
4	1	YN1263701	Bearing				
5	1	YK4101420	Cap				
6	1	F1303100	Housing				
7	1	F1303102D	Connecting rod				
8	1	N6251000	Screw				
9	1	YF1303106	Switch				
10	1	YF1303162	Shaft				
11	1	YN1272501	Bearing				
12	1	YN0210045	Ring				
13	1	3819014R	Grower				
14	1	3806094R	Screw				
15	1	YF1303161A	Cover				
16	1	YN1257600	Bearing				
17	1	3024015R	Seeger				
18	1	YF1303155B	Pin				
19	1	3806094R	Screw				
20	1	F1303125	Support				
21	1	YPA001254	Hood				
22	1	3806067R	Screw				
23	1	N6399710	Screw				
24	1	3819013R	Grower				
25	1	3916008R	Washer				
26	1	N4924000	Silent block				
27	1	320000028R	Nut				
28	1	YN1470200	Nut				
29	1	YN5265900	Cap				
35	1	3916012R	Washer				
36	1	68250018R	Plate NIBBI			Su richiesta; Upon request	
37	1	68910014	Mark			Su richiesta; Upon request;	
38	1	68910015	Mark			SX; LEFT Su richiesta; Upon request;	
39	1	L0081100	Washer			DX; RIGHT Utilizzare con ruote > di	
41	1	N0140800	Seeger			4.00/5.00-10"; Use with	
42	1	YN6332800	Screw			wheels > 4.00/5.00-10"	
43	1	YN1463650	Nut				
44	1	N6399710	Screw				
45	1	F1303133	Spacer				





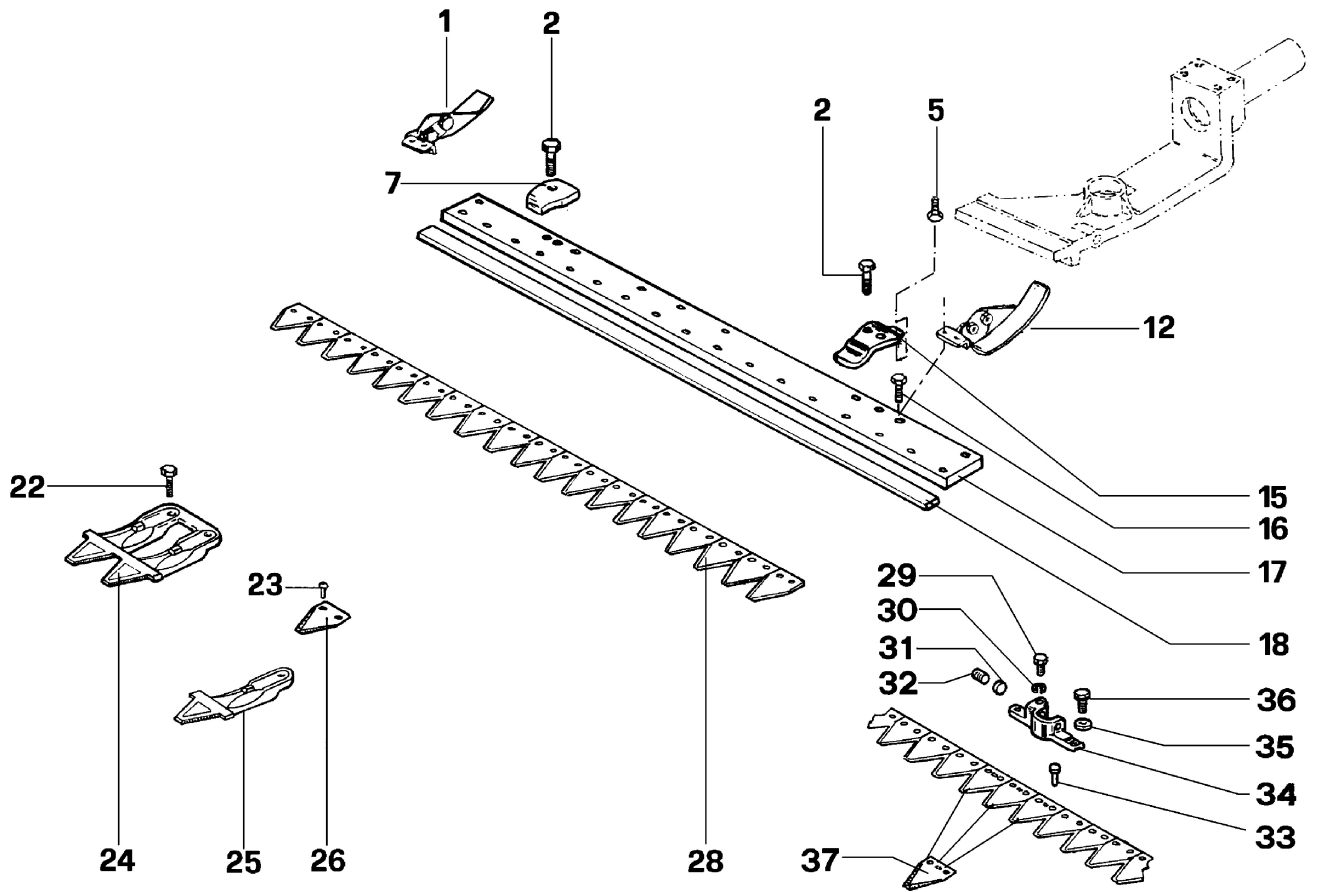
# Illustration Middle fingers cutter bar 69229084/69229085/69229086/69229087

Ref.Nu	Qty	Part number	Description	Validity from	Validity till	Notes	Bulletin
1	1	69229098	Pair of directional guides for cutterbar			DX; RIGHT	
2	1	69220017	Rod			1150 mm	
2	1	F1073220	Slide			1450 mm	
2	1	F0591593	Slide			1270 mm	
2	1	F0712027	Slide			950 mm	
3	1	69220023	Rod				
4	1	F1303116	Plate			950 mm	
4	1	F1303117	Plate			1150 mm	
4	1	F1303118	Plate			1270 mm	
4	1	F1303119	Plate			1450 mm	
5	15	YN6325400	Screw				
6	4	69220018	Support		31/12/2013	Per barre / for bars:	BT6-006-07/14
7	8	3906099	Screw		31/12/2013	69229039/69229040/69229041/69229042	BT6-006-07/14
8	4	69220047	Pressblade kit		31/12/2013	69229039/69229040/69229041/69229042	BT6-006-07/14
9	1	F1073377R	Blade			69229039/69229040/69229041/69229042	
10	-	-	Not available for this product				
11	-	-	Not available for this product				
12	13	F1073317	Plate				
13	13	YF0582091	Blade				
14	1	69229098	Pair of directional guides for cutterbar			SX; LEFT	
15	11	F0582688	Tooth (Double)				
16	12	LS621107	Spacer			Per barre / for bars:	BT6-006-07/14
17	1	F0582738	Tooth (Single)			69229039/69229040/69229041/69229042	
18	28	YN0886600	Rivet				
19	1	YF1073385	Blade			1270 mm SF	
19	1	YF1073386	Blade			1450 mm SF	
19	1	YF1073384	Blade			1150 mm SF	
19	1	YF1073383	Blade			950 mm SF	
20	1	YF1073376B	Clutch driver				
21	1	N6433900	Screw				
22	2	YF1073364	Valve				
23	1	YN6262200	Screw				
24	2	3806063	Screw				
25	7	3819013R	Grower				
26	1	F1073378R	Blade				
27	2	F1073261	Rivet				
28	2	69220024R	Complete slide				
29	8	3806070R	Screw				
30	8	320000028R	Nut				
31	8	3916010R	Washer				BT6-006-07/14
32	4	N1462800	Nut				BT6-006-07/14
33	4	N6314900	Screw				BT6-006-07/14
34	4	LS621197	Press blade	01/01/2014			BT6-006-07/14
35	8	N6333300	Screw	01/01/2014			BT6-006-07/14

## Illustration Middle fingers cutter bar 69229084/69229085/69229086/69229087

---

Ref.Nu	Qty	Part number	Description	Validity from	Validity till	Notes	Bulletin
36	4	69220047	Pressblade kit	01/01/2014			BT6-006-07/14

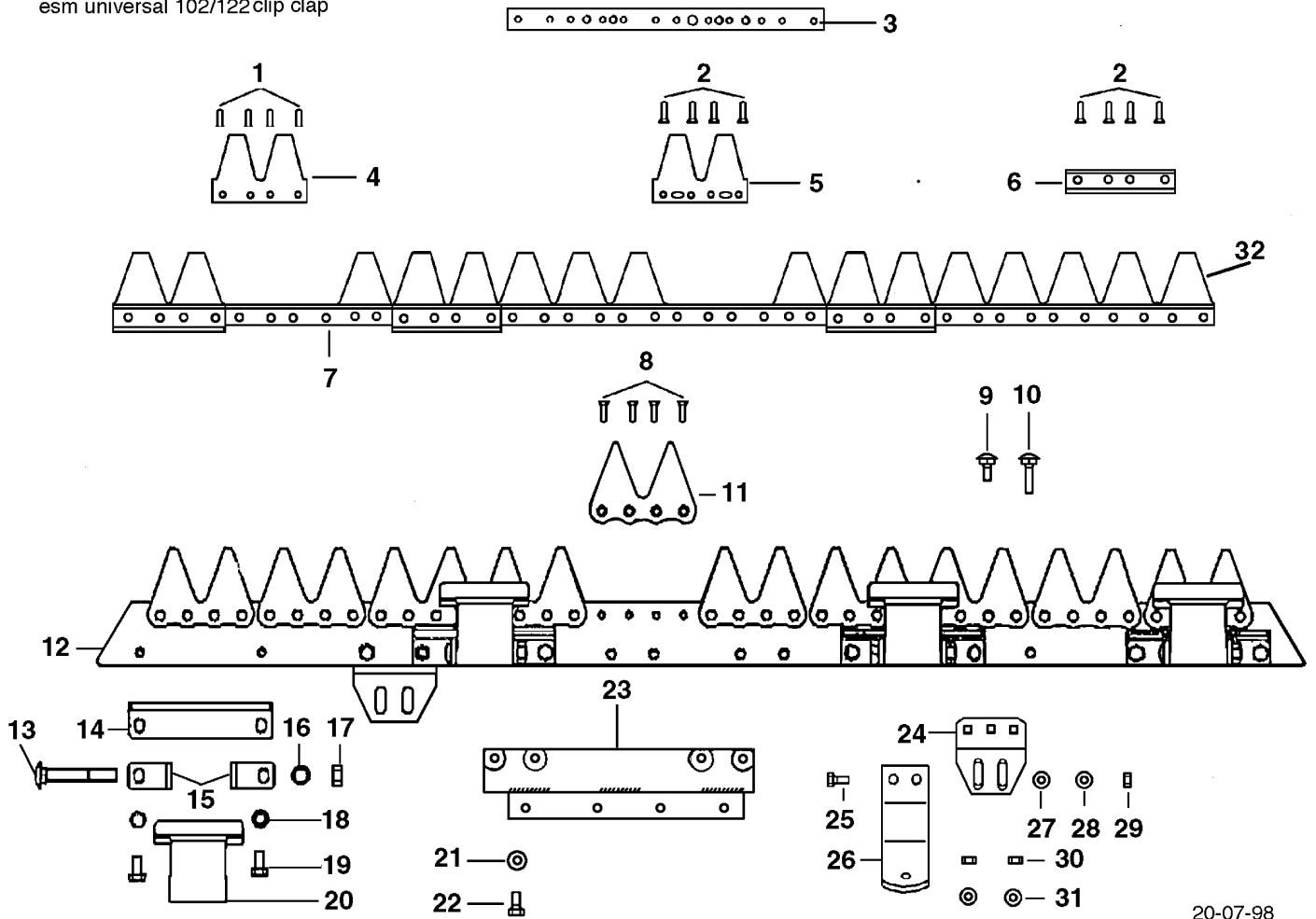


barra speciale attacco registrabile

## Illustration Special cutter bar 69229018/69229017/69229019

Ref.Nu	Qty	Part number	Description	Validity from	Validity till	Notes	Bulletin
1	1	YF1303153	Sliding block				
2	1	YN6332800	Screw				
5	1	N6245800	Screw				
7	1	YF0582687	Plate				
12	1	YF1303153	Sliding block				
15	1	F1113112	Press blade (Long)				
16	1	N6321250	Screw				
17	1	F1303116	Plate			950 mm	
17	1	F1303117	Plate			1150 mm	
17	1	F1303118	Plate			1270 mm	
18	1	F0591593	Slide			1270 mm	
18	1	F0712027	Slide			950 mm	
18	1	69220017	Rod			1150 mm	
22	1	YN6322000	Screw				
23	1	YN0886600	Rivet				
24	1	F1113114	Tooth (Double)				
25	1	F1113114	Tooth (Double)				
26	1	F1073216R	Blade				
28	1	YF1073276	Blade			1150 mm SP	
28	1	YF1073277	Blade			1270 mm SP	
28	1	YF1073349	Blade			950 mm SP	
29	1	YN6262200	Screw				
30	1	3819013R	Grower				
31	1	YF1073364	Valve				
32	1	N6433900	Screw				
33	1	F1073261	Rivet				
34	1	YF1073363B	Clutch driver			Per barra SP; For SP bar	
35	1	3819013R	Grower				
36	1	3806063	Screw				
37	1	YF1073273	Blade				

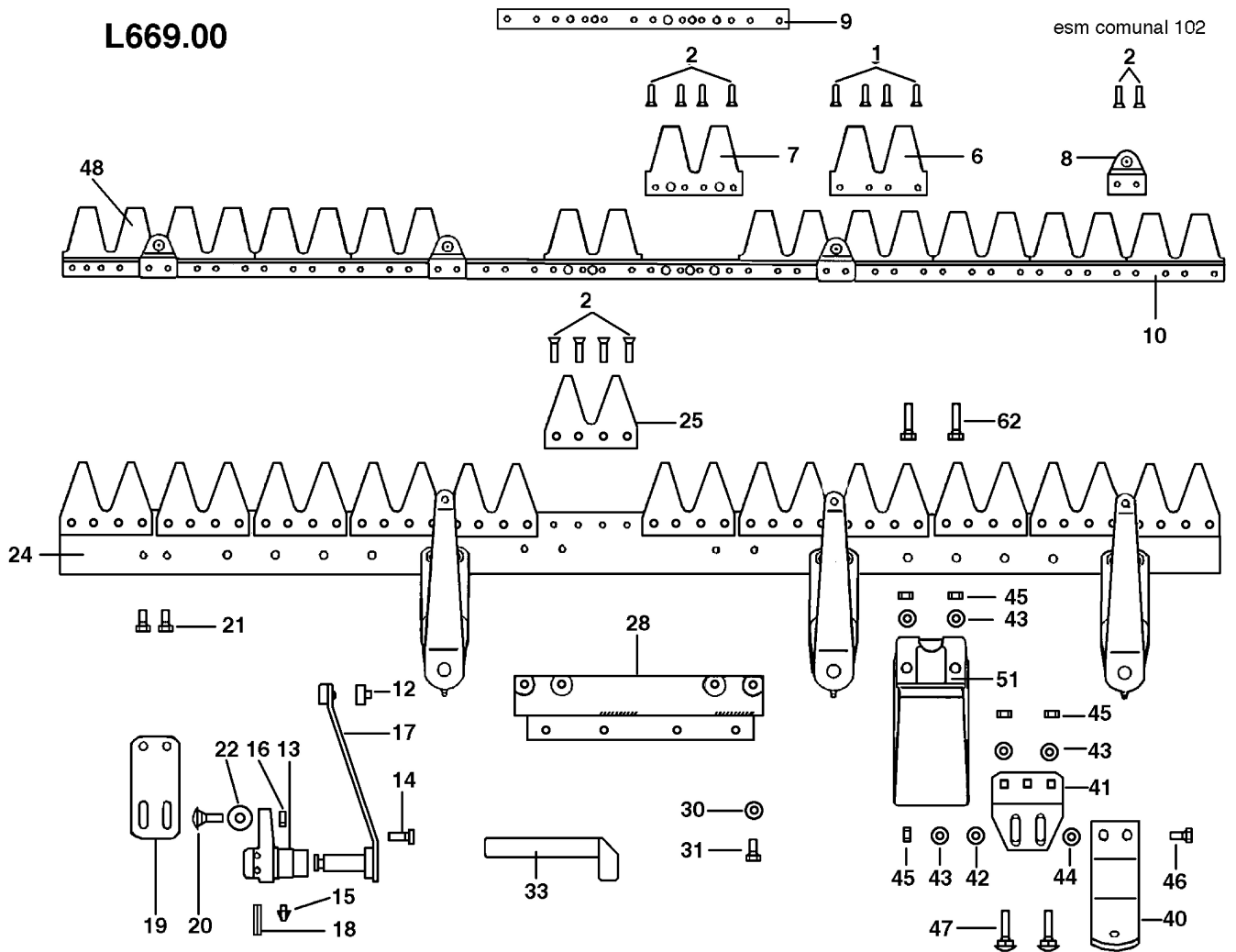
esm universal 102/122clip clap



20-07-98

## Illustration "UNIVERSAL" cutter bar 69229035/69229036

Ref.Nu	Qty	Part number	Description	Validity from	Validity till	Notes	Bulletin
1	1	R1504705	Rivet				
2	1	R1504706	Rivet				
3	1	F1073501	Plate				
4	1	F1073451	Shear blade (Double)				
5	1	F1073452	Shear blade (Double)				
6	1	F1073453	Slide				
7	1	YF1073468	Shear blade			122 cm	
7	1	F1073502	Back (Blade)			102 cm	
8	1	N0892500	Rivet				
9	-	-	Not available for this product				
10	-	-	Not available for this product				
11	1	F1073456	Tooth (Double)				
12	1	F1073506	Back (Bar)			122 cm	
12	1	F1073505	Back (Bar)			102 cm	
13	1	F1073462	Screw				
14	1	F1073458	Plate				
15	1	F1073459	Bracket				
16	-	-	Not available for this product				
17	1	N1464800	Nut				
18	-	-	Not available for this product				
19	1	3806063	Screw				
20	1	F1073457	Pusher				
21	1	YN4365400	Washer				
22	1	YN6254600	Screw				
23	1	F1073401	Connection plate				
24	1	F1073430	Attachment (Sole)				
25	1	3806067R	Screw				
26	1	F1073428	Sole				
27	1	3916008R	Washer				
28	1	YN4365400	Washer				
29	1	R1504723	Nut				
30	-	-	Not available for this product				
31	-	-	Not available for this product				
32	1	YF1073468	Shear blade			122 cm	
32	1	YF1073467	Shear blade			102 cm	

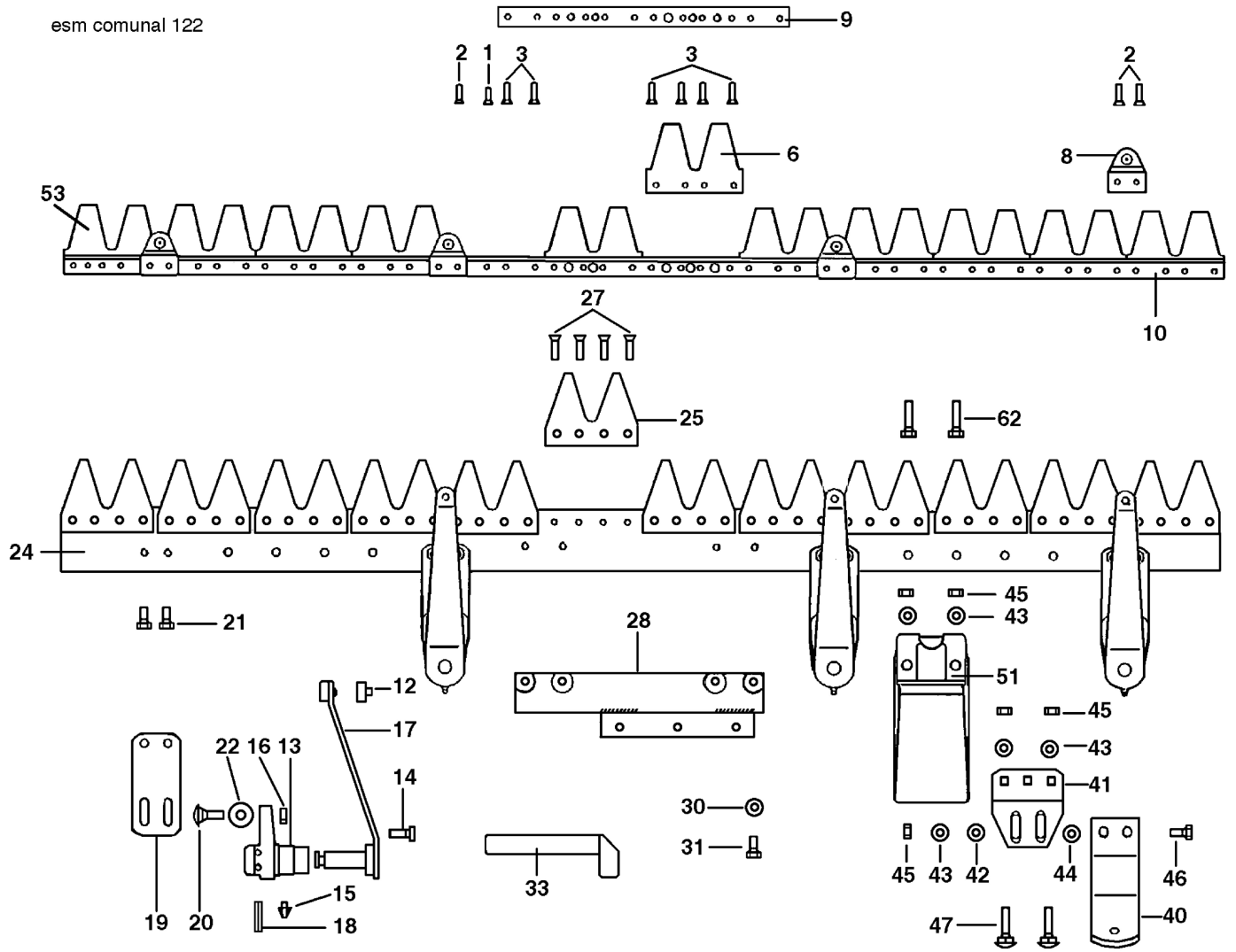




## Illustration Cutter bar L0066900

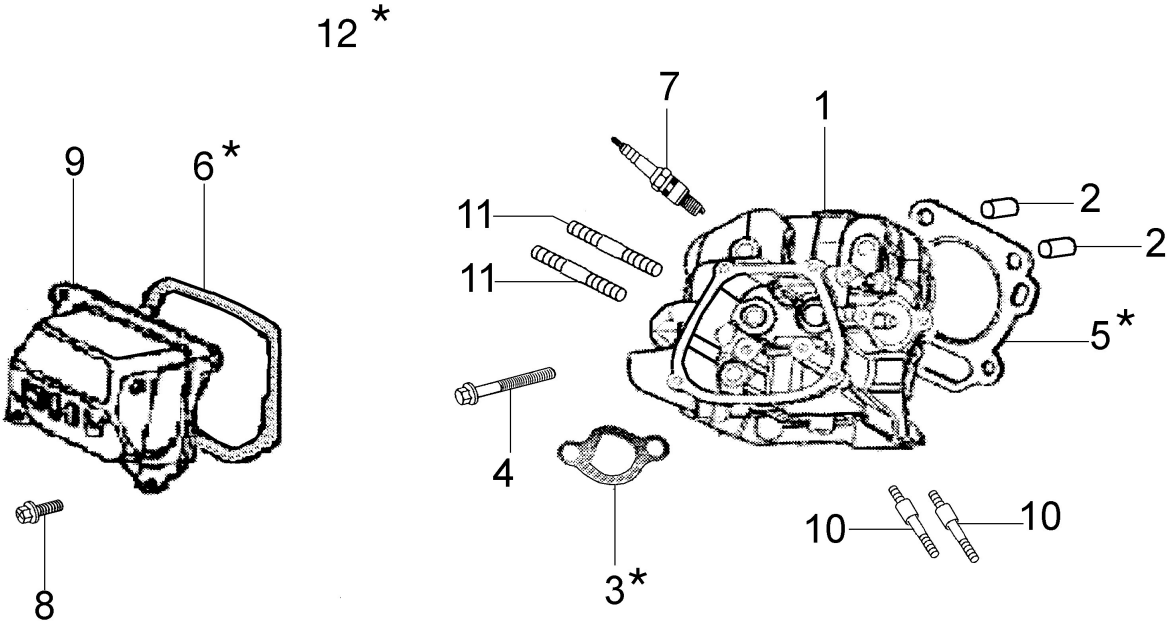
Ref.Nu	Qty	Part number	Description	Validity from	Validity till	Notes	Bulletin
1	1	R1504705	Rivet				
2	1	R1504706	Rivet				
6	1	F1073451	Shear blade (Double)				
7	1	F1073452	Shear blade (Double)				
8	1	R1504764	Support				
9	1	F1073438	Plate				
10	1	F1073525	Back (Blade)			102 cm	
12	1	R1504773	Bushing				
13	1	R1504768	Support				
14	1	R1504769	Screw				
15	1	R1504770	Nipple				
16	1	R1504723	Nut				
17	1	R1504772	Swing arm				
18	1	R1504771	Pin				
19	1	F1073436	Plate				
20	1	F1073442	Screw				
21	1	YN6249300	Screw				
22	1	R1504776	Washer				
24	1	F1073526	Back (Bar)			102 cm	
25	1	F1073456	Tooth (Double)				
27	1	N0892500	Rivet				
28	1	F1073401	Connection plate				
30	1	YN4365400	Washer				
31	1	YN6254600	Screw				
33	1	F1073415	Lever (Fitting)				
40	1	F1073428	Sole				
41	1	F1073430	Attachment (Sole)				
42	1	3916008R	Washer				
43	1	YN4365400	Washer				
44	1	F1073443	Washer				
45	1	R1504723	Nut				
46	1	3806067R	Screw				
47	1	R1504720	Screw				
48	1	F1073524	Blade				
51	1	F1073432	Slide shoe				
52	1	3806070R	Screw				

Illustration ESM "COMUNAL" cutter bar 69229037



## Illustration ESM "COMUNAL" cutter bar 69229037

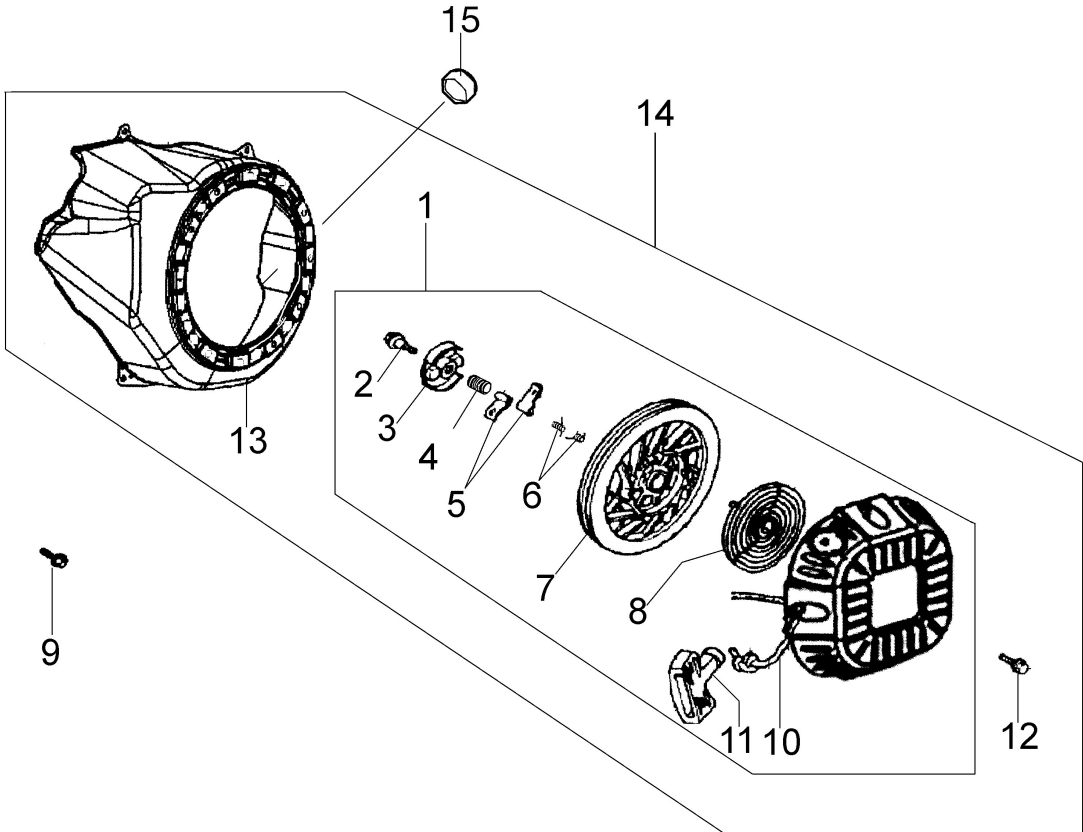
Ref.Nu	Qty	Part number	Description	Validity from	Validity till	Notes	Bulletin
1	1	R1504705	Rivet				
2	1	R1504706	Rivet				
3	1	F1073441	Rivet				
6	1	R1504709	Shear blade (Double)				
8	1	R1504764	Support				
9	1	F1073438	Plate				
10	1	YF1073409	Shear blade			122 cm	
12	1	R1504773	Bushing				
13	1	R1504768	Support				
14	1	R1504769	Screw				
15	1	R1504770	Nipple				
16	1	R1504723	Nut				
17	1	R1504772	Swing arm				
18	1	R1504771	Pin				
19	1	F1073436	Plate				
20	1	F1073442	Screw				
21	1	YN6249300	Screw				
22	1	R1504776	Washer				
24	1	F1073417	Back (Bar)			122 cm	
25	1	F1073456	Tooth (Double)				
27	1	N0892500	Rivet				
28	1	F1073401	Connection plate				
30	1	YN4365400	Washer				
31	1	YN6254600	Screw				
33	1	F1073415	Lever (Fitting)				
40	1	F1073428	Sole				
41	1	F1073430	Attachment (Sole)				
42	1	3916008R	Washer				
43	1	YN4365400	Washer				
44	1	F1073443	Washer				
45	1	R1504723	Nut				
46	1	3806067R	Screw				
47	1	R1504720	Screw				
51	1	F1073432	Slide shoe				
53	1	YF1073409	Shear blade			122 cm	
62	1	3806070R	Screw				



## Illustration Cylinder head

---

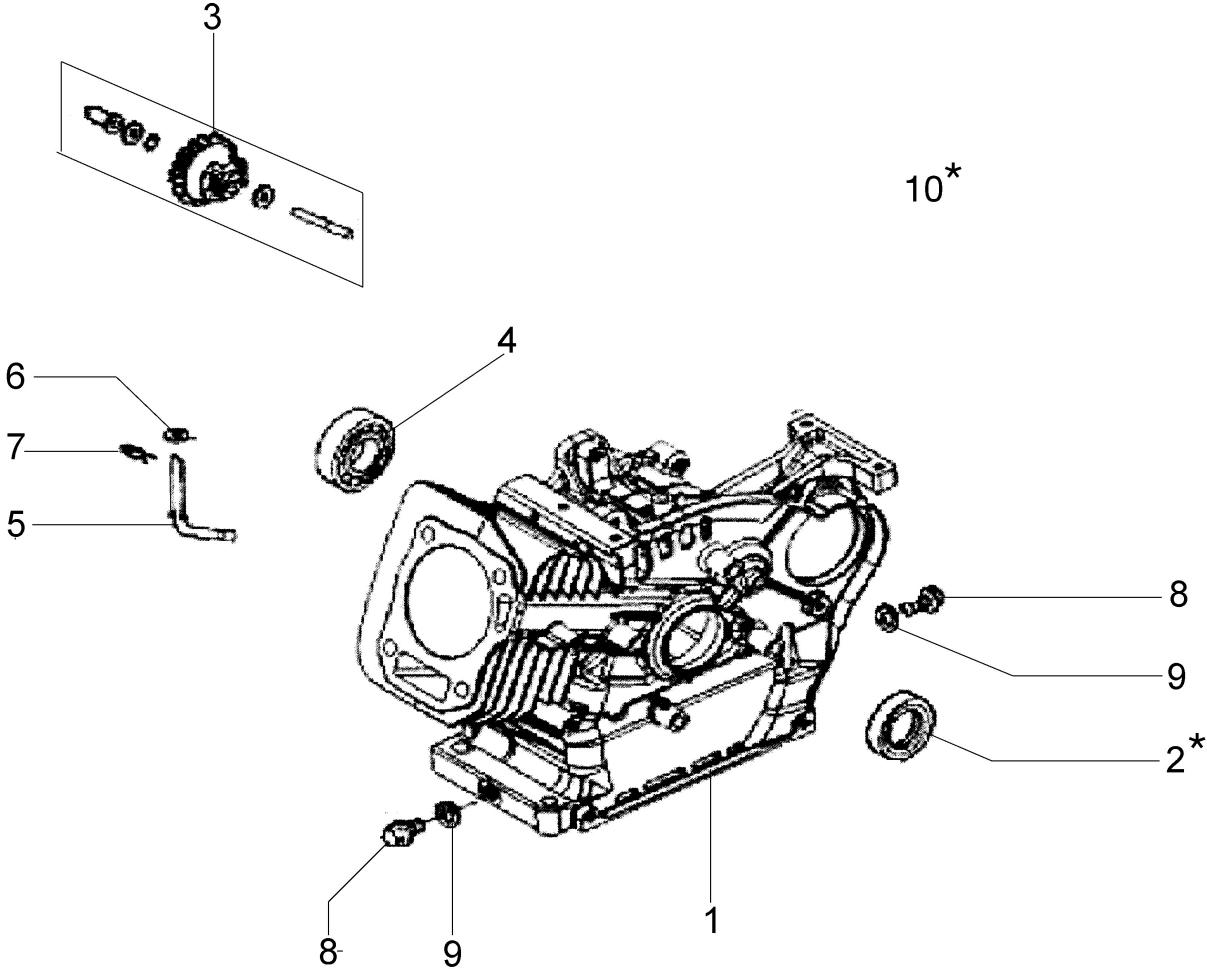
Ref.Nu	Qty	Part number	Description	Validity from	Validity till	Notes	Bulletin
1	1	L66150275	Cylinder head				
2	2	L66150350	Pin				
3	1	L66150309	Gasket				
4	4	L66150323	Screw				
5	1	L66150276	Gasket				
6	1	L66150278	Gasket				
7	1	3055123	Spark plug				
8	4	L66150316	Screw				
9	1	L66150707	Cover				
10	2	L66150241	Stud				
11	2	L66150324	Stud				
12	1	L66150618	Gasket set				



## Illustration Ignition system

---

Ref.Nu	Qty	Part number	Description	Validity from	Validity till	Notes	Bulletin
1	1	L66150329	Starter assy				
2	1	L66150330	Screw				
3	1	L66150331	Clutch driver				
4	1	L66150332	Spring				
5	2	L66150263	Pawl				
6	2	L66150264	Spring				
7	1	L66150265	Starter pulley				
8	1	L66150336	Starter spring				
9	4	L66150316	Screw				
10	1	L66150337	Starter rope				
11	1	L66150103	Handle				
12	4	L66150339	Screw				
13	1	L66150391	Hood, fan cover				
14	1	L66150374	Starter assy				
15	1	L66150474	Cap				

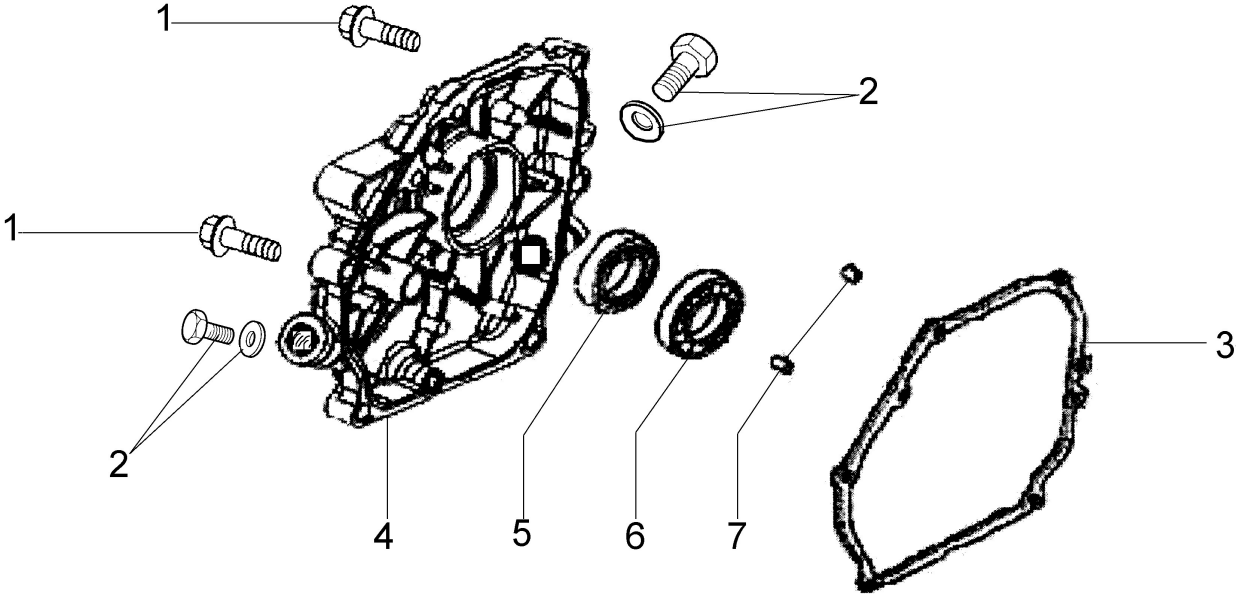




## Illustration Crankcase

---

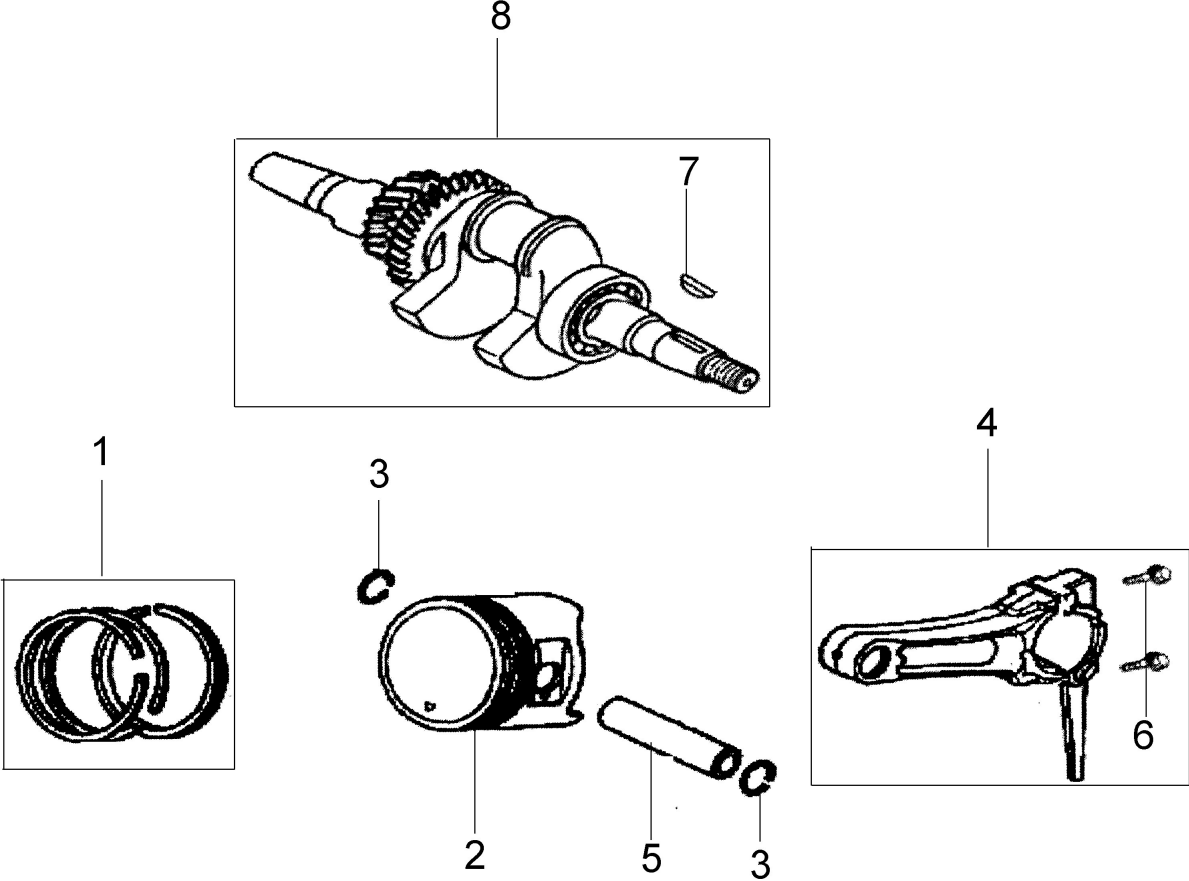
Ref.Nu	Qty	Part number	Description	Validity from	Validity till	Notes	Bulletin
1	1	L66150272	Cylinder and crankcase				
2	1	L66150326	Ring				
3	1	L66150304	Governor				
4	1	L66150355	Bearing				
5	1	L66150302	Shaft				
6	1	L66150325	Washer				
7	1	L66150353	Pin				
8	2	L66150352	Screw				
9	2	L66150354	Washer				
10	1	L66150618	Gasket set				



## Illustration Crankcase cover

---

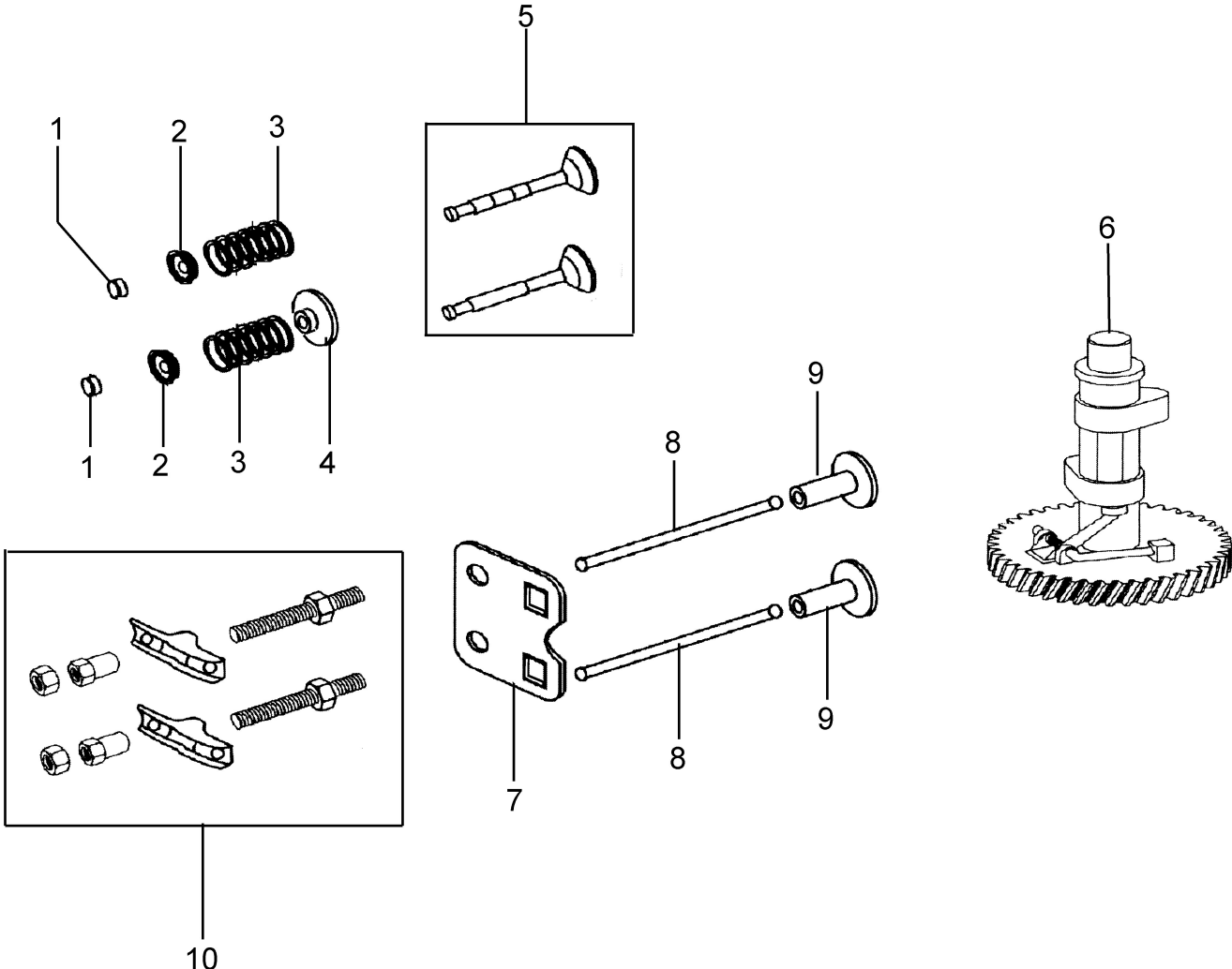
Ref.Nu	Qty	Part number	Description	Validity from	Validity till	Notes	Bulletin
1	7	L66150319	Screw				
2	2	L66151232	Cap				
3	1	L66150274	Gasket				
4	1	L66150273	Crankcase cover				
5	1	L66150326	Ring				
6	1	L66150355	Bearing				
7	2	L66150357	Pin				



## Illustration Crankshaft and piston

---

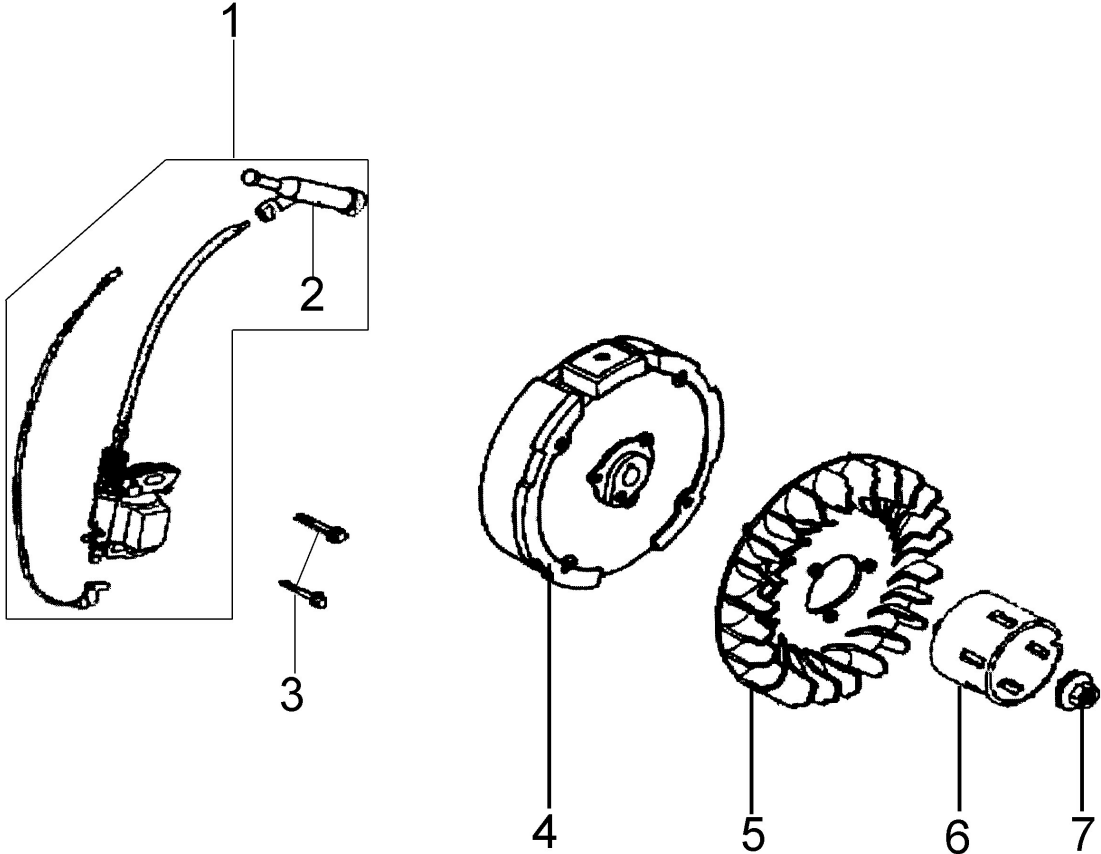
Ref.Nu	Qty	Part number	Description	Validity from	Validity till	Notes	Bulletin
1	1	L66150280	Piston ring set				
2	1	L66150279	Piston				
3	2	L66150372	Retainer washer				
4	1	L66150281	Connecting rod (Complete)				
5	1	L66150342	Piston pin				
6	2	L66150343	Screw				
7	1	L66150081	Key				
8	1	L66150373	Shaft (Complete)				



## Illustration Valve and governor

---

Ref.Nu	Qty	Part number	Description	Validity from	Validity till	Notes	Bulletin
1	2	L66150364	Valve				
2	2	L66150365	Ring				
3	2	L66150366	Spring Valve				
4	1	L66150367	Seal				
5	1	L66151233	Reed valve kit				
6	1	L66150363	Shaft (Complete)				
7	1	L66150287	Sheet (Guide)				
8	2	L66150285	Rod				
9	2	L66150286	Slide				
10	2	L66150368	Rocker arm				

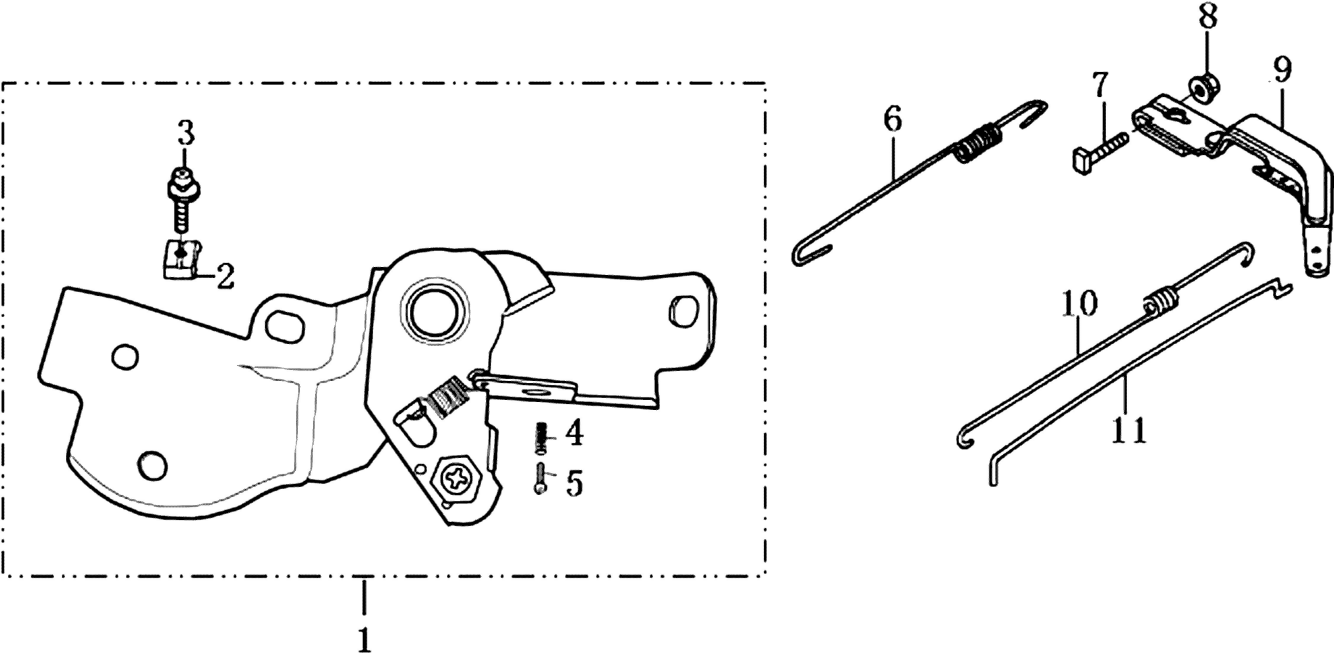




## Illustration Flywheel and coil

---

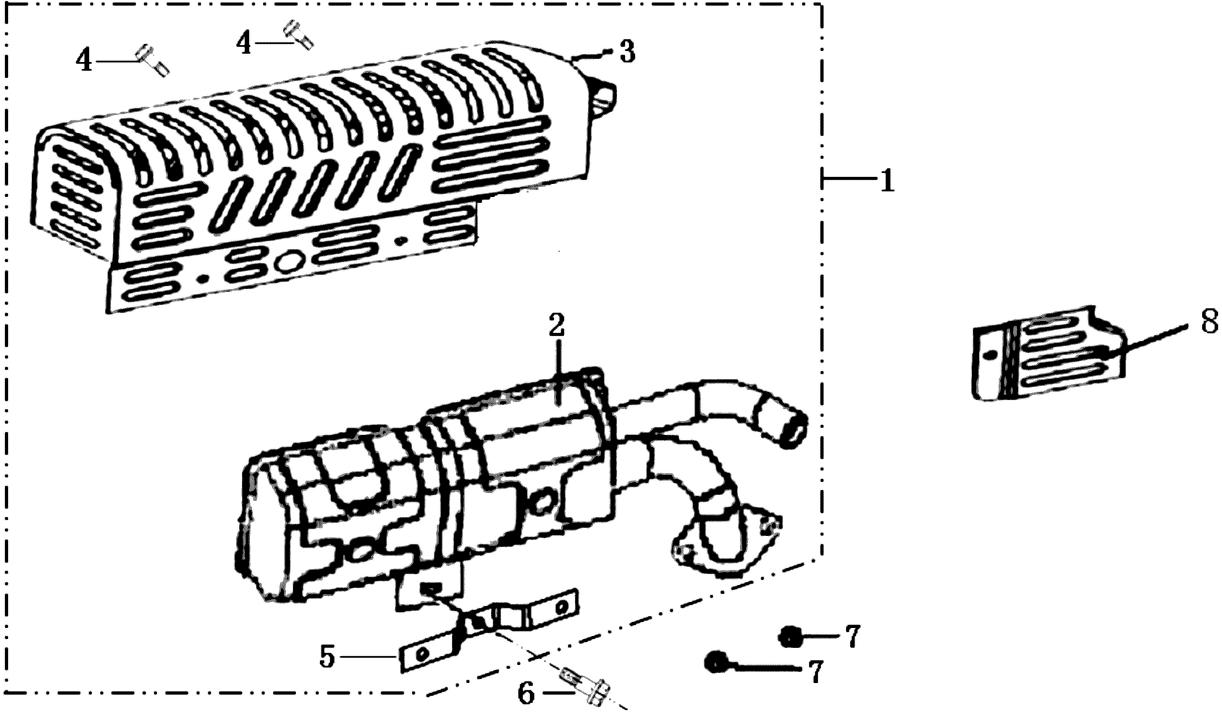
Ref.Nu	Qty	Part number	Description	Validity from	Validity till	Notes	Bulletin
1	1	L66150314	Ignition coil				
2	2	L66150371	Cap assy.,noise auppess				
3	1	L66150321	Screw				
4	1	L66150313	Flywheel				
5	1	L66150288	Fan				
6	1	L66150312	Pulley				
7	1	L66150376	Nut				



## Illustration Control lever

---

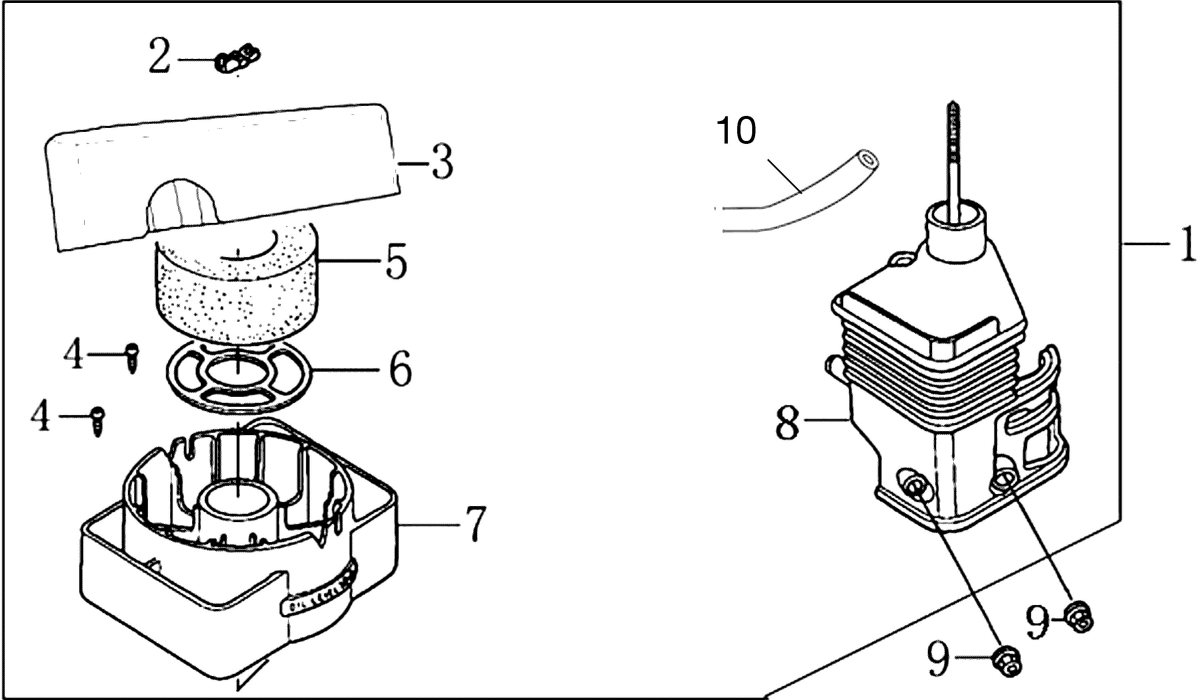
Ref.Nu	Qty	Part number	Description	Validity from	Validity till	Notes	Bulletin
1	1	L66150377	Complete lever				
2	1	L66150378	Fairled				
3	1	L66150379	Screw				
4	1	L66150380	Spring				
5	1	L66150381	Screw				
6	1	L66150299	Spring				
7	1	L66150382	Screw				
8	1	L66150185	Nut				
9	1	L66150301	Arm				
10	1	L66150300	Spring				
11	1	L66150298	Throttle rod				



## Illustration Muffler

---

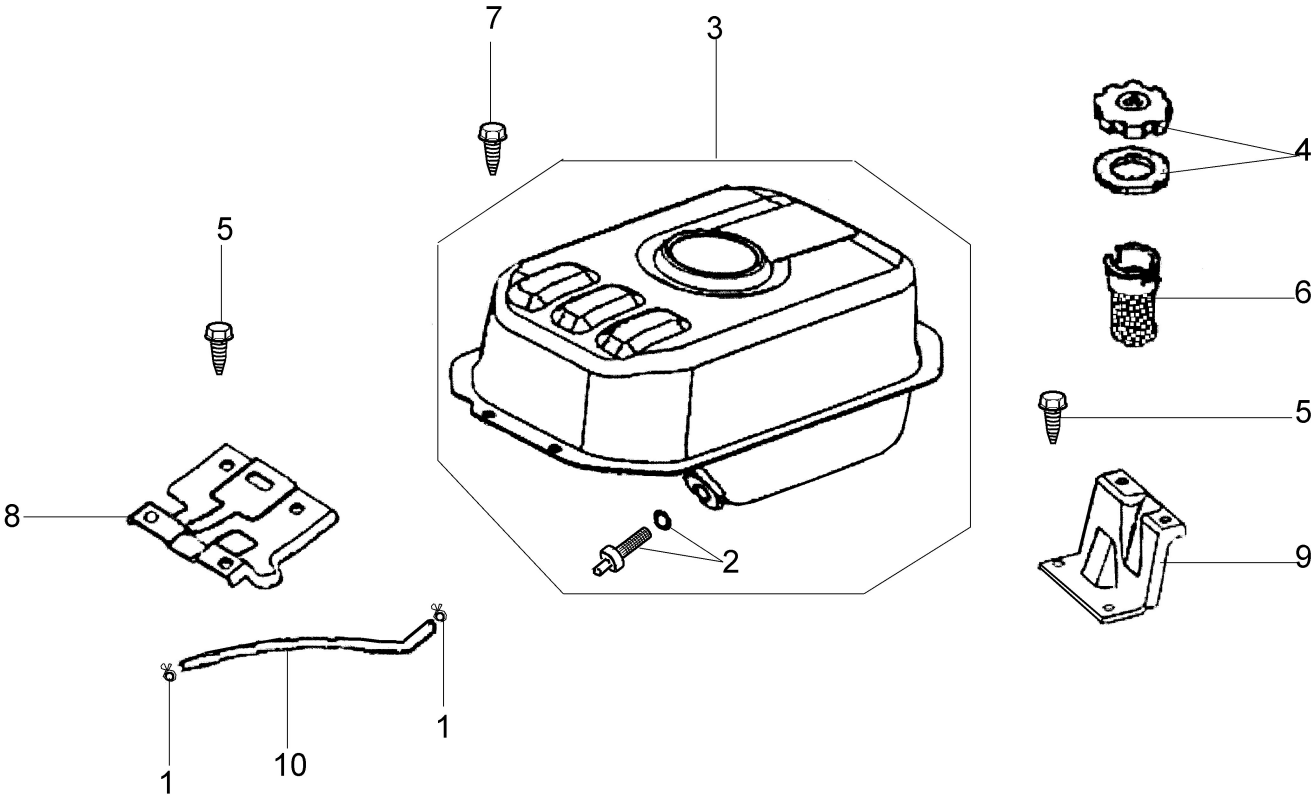
Ref.Nu	Qty	Part number	Description	Validity from	Validity till	Notes	Bulletin
1	1	L66150308	Muffler assy.				
2	1	L66150345	Muffler				
3	1	L66150346	Exhaust grill				
4	1	L66150347	Screw				
5	1	L66150349	Support				
6	2	L66150317	Screw				
7	1	320000028R	Nut				
8	1	L66150310	Guard				



## Illustration Air filter

---

Ref.Nu	Qty	Part number	Description	Validity from	Validity till	Notes	Bulletin
1	1	L66150307	Air filter kit				
2	1	L66150384	Nut				
3	1	L66150385	Cover				
4	2	L66150386	Screw				
5	1	L66150387	Filter				
6	1	L66150388	Grid				
7	1	L66150389	Filter support				
8	1	L66150390	Fitting				
9	2	L66150185	Nut				
10	1	L66150473	Tube				

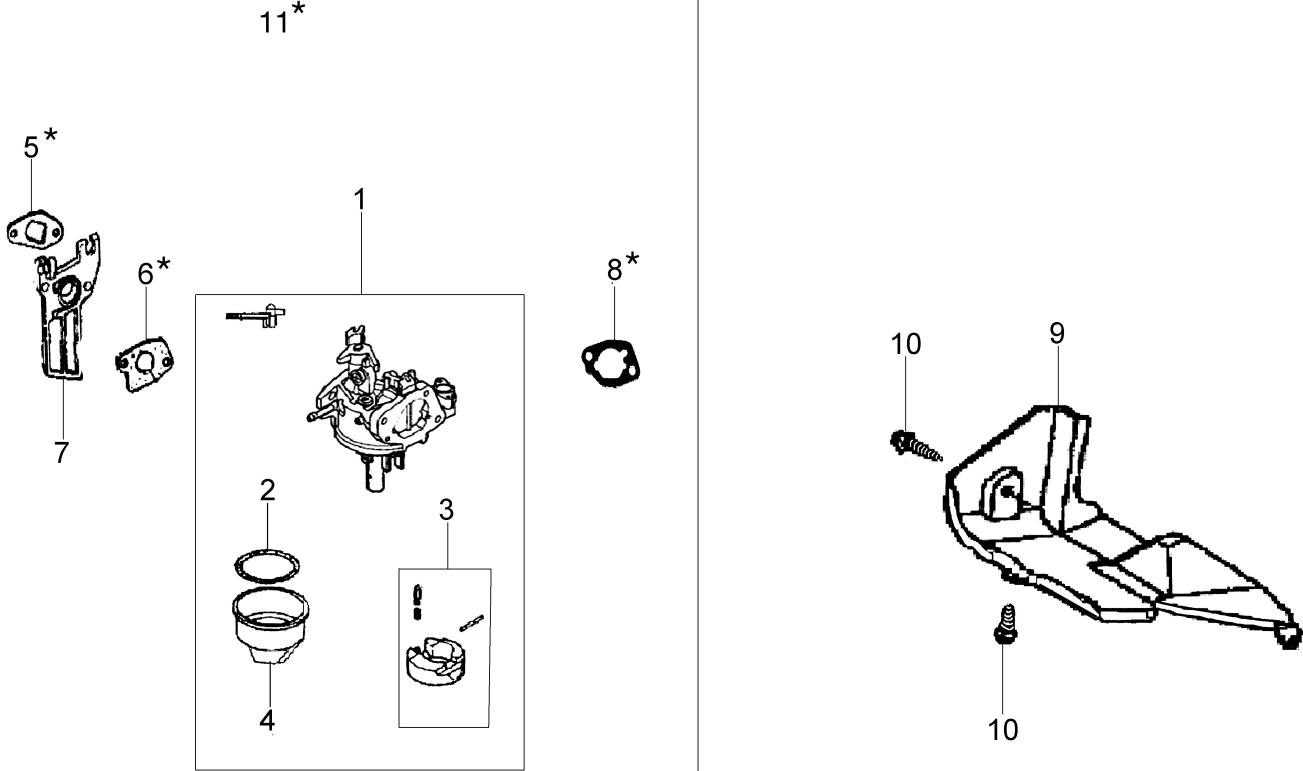




## Illustration Tank

---

Ref.Nu	Qty	Part number	Description	Validity from	Validity till	Notes	Bulletin
1	1	L66150328	Band				
2	1	L66150295	Fitting				
3	1	L66151235	Complete tank				
4	1	L66150297	Cap				
5	4	L66150321	Screw				
6	1	L66150296	Fuel filter				
7	4	L66150322	Screw				
8	1	L66150306	Support				
9	1	L66150305	Support				
10	1	L66150327	Fuel line				



## Illustration Carburettor and deflector

---

Ref.Nu	Qty	Part number	Description	Validity from	Validity till	Notes	Bulletin
1	1	L66150289A	Carburettor				
2	1	L66150370	Gasket				
3	1	L66150369	Float				
4	1	L66150375	Basin				
5	1	L66150291	Gasket				
6	1	L66150290	Gasket				
7	1	L66150293	Insulator				
8	1	L66150292	Gasket				
9	1	L66150340	Cover				
10	2	L66150339	Screw				
11	1	L66150618	Gasket set				