

BRIK 1 S Rotary cultivator



Documents

Internals controls

Clutch and speed gears

Clutch 3 disk

Speed-change gear box and wheels

Handlebar rod

Handlebar rod (from 01/2018)

Handle bars

Handlebars (from 01/2018)

Tiller 69219111/69219108

Cam drive 69229092

Cutter bar 69222011

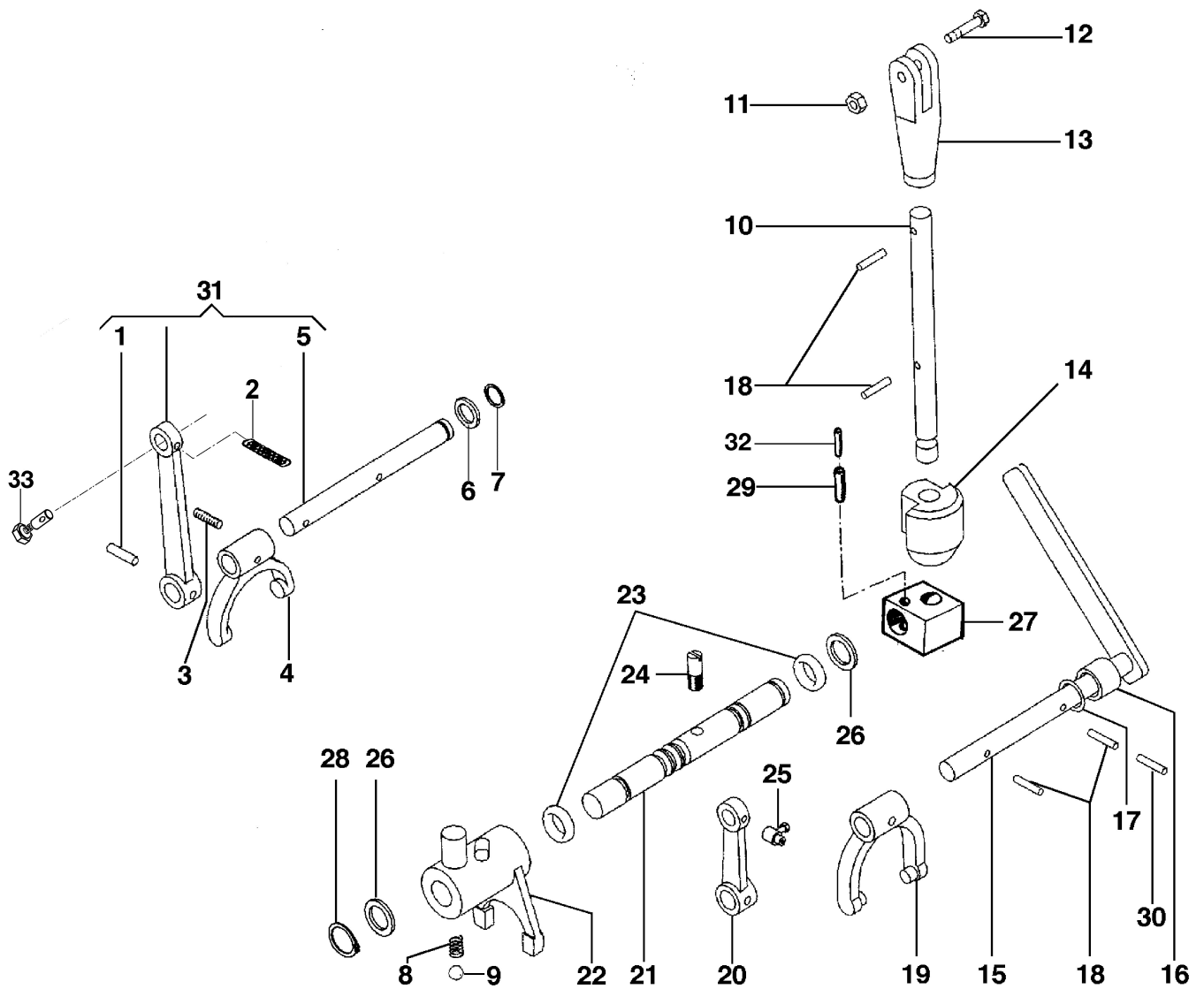


Illustration Internals controls

Ref.Nu	Qty	Part number	Description	Validity from	Validity till	Notes	Bulletin
1	1	YN5113800	Pin				
2	1	68310058	Spring				
3	1	YK3501070	Screw				
4	1	YK3500940	Clip				
5	1	K3500950	Control rod				
6	1	YN5001700	Washer				
7	1	3024012R	Snap ring				
8	1	YN3101500	Spring				
9	1	YN4743200	Ball				
10	1	YF1241613	Lever				
11	1	3914006R	Nut				
12	1	3801024R	Screw				
13	1	YF1241619	Bushing				
14	1	YF1241614	Shoe				
15	1	YF1241623	Shaft (Complete)				
16	1	YN0403000	Bushing				
17	1	3916012R	Washer				
18	1	YN5113800	Pin				
19	1	YK3500140	Clip				
20	1	YK3500510	Lever				
21	1	YF1241615E	Shaft				
22	1	YF1250860D	Fork				
23	1	YN0306000	O-ring				
24	1	YF1250816C	Screw				
25	1	YN5901500	Clamp				
26	1	YN5002610	Thickness				
26	1	YN5002600	Thickness				
27	1	YF1241616	Support				
28	1	3024016R	Seeger				
29	1	YN5126100	Pin				
30	1	YN5101450	Pin				
31	1	YF1250856	Control rod				
32	1	N5109400	Pin				
33	1	YN5901500	Clamp				

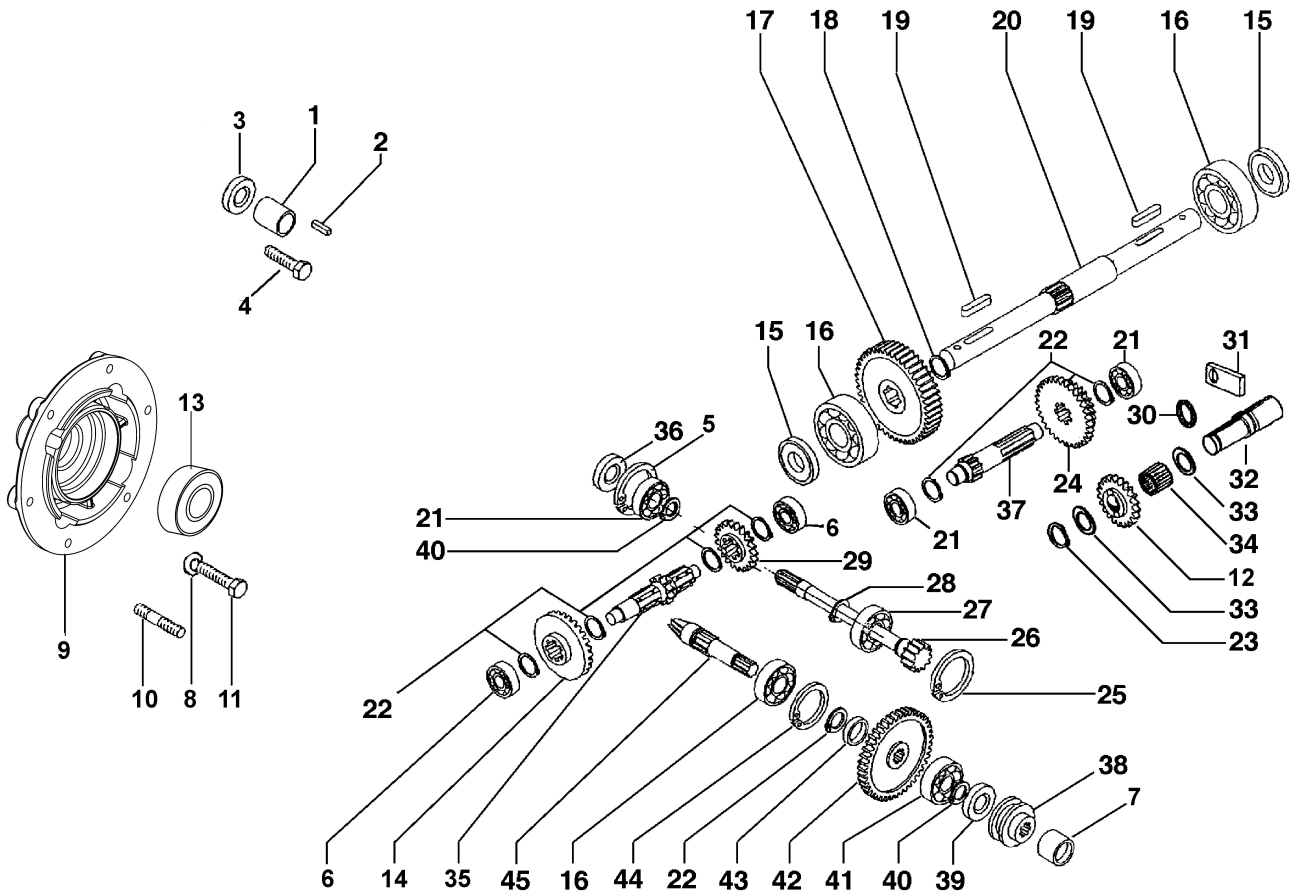


Illustration Clutch and speed gears

Ref.Nu	Qty	Part number	Description	Validity from	Validity till	Notes	Bulletin
1	1	F1250008	Spacer				
2	1	YN0643450	Key				
3	1	YN1263201	Bearing				
4	1	3803009R	Grub screw				
5	1	3025022R	Seeger				
6	1	094000006R	Bearing				
7	1	YF1250859	Bushing			Solo per versioni speciali: cambio veloce, lato	
8	1	YN4365400	Washer			attrezzo: Only for special	
9	1	68310038AR	Flange			side	
10	1	YN3812500	Stud				
11	1	YN6243980	Screw				
12	1	YF1240805	Gear				
13	1	N1289300R	Bearing				
14	1	YF1250810	Rim				
15	1	YN0207300	Seal ring				
16	1	YN1263100	Bearing				
17	1	YF1250813	Gear				
17	1	F1250819	Gear				
18	1	YN0118500	Seeger				
19	1	YK7811007	Key				
20	1	YF1250814	Axle				
21	1	YN1257000	Bearing				
22	1	3024020R	Seeger				
23	1	3024012R	Snap ring				
24	1	YF1240801	Gear				
25	1	YN0130000	Seeger				
26	1	YF1240800	Shaft				
27	1	YN1258800	Bearing				
28	1	YN0112700	Seeger				
29	1	F1240804	Gear				
30	1	YN0306000	O-ring				
31	1	YF1240803	Plate				
32	1	YF1240806	Pin				
33	2	YN5001750	Thickness				
34	1	3037026R	Roller cage				
35	1	YF1250811	Shaft				
36	1	YN0204850	Ring				
37	1	F1250818	Gear				
37	1	YF1250812	Gear				
38	1	YF1250805	Shaft joint				
38	1	F1250851	Shaft joint			Solo per versioni speciali: cambio veloce; Only for special version: speed gear	
39	1	YK7032002	Ring				
40	1	3024015R	Seeger				
41	1	YN1257700	Bearing				
42	1	YF1250804	Gear				
43	1	YF1250808	Spacer				

Illustration Clutch and speed gears

Ref.Nu	Qty	Part number	Description	Validity from	Validity till	Notes	Bulletin
44	1	YN0130900	Seeger				
45	1	YF1250809	Sprocket				

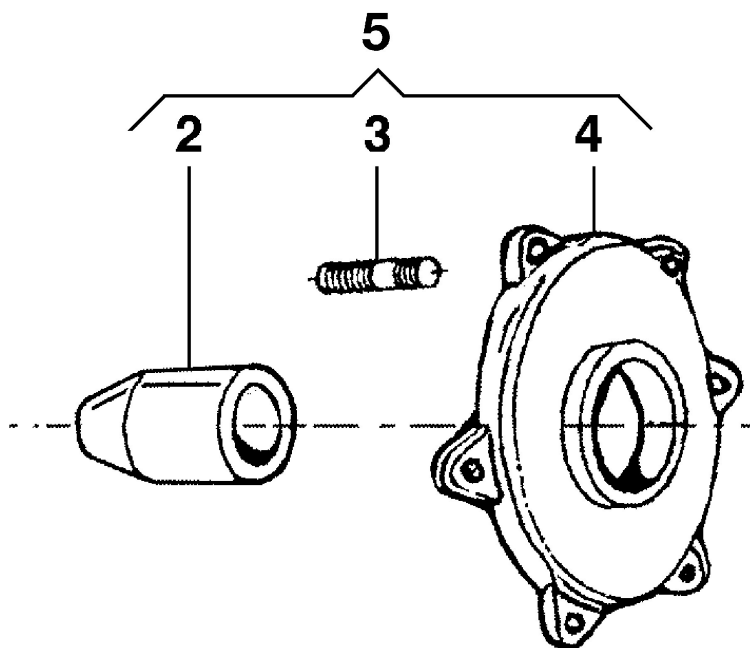
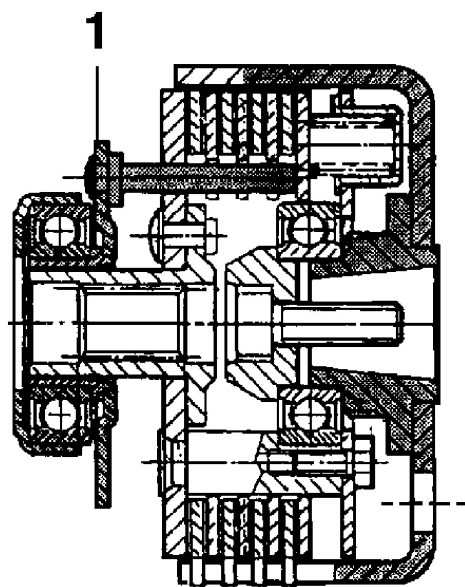


Illustration Clutch 3 disk

Ref.Nu	Qty	Part number	Description	Validity from	Validity till	Notes	Bulletin
1	1	68310041R	Clutch 3 disk			Inversa; Reverse;	
2	1	F1210002	Clutch cone				
3	1	YN3815300	Stud				
4	1	F1210001	Spacer				
5	1	P1200020	Spacer unit				

Illustration Speed-change gear box and wheels

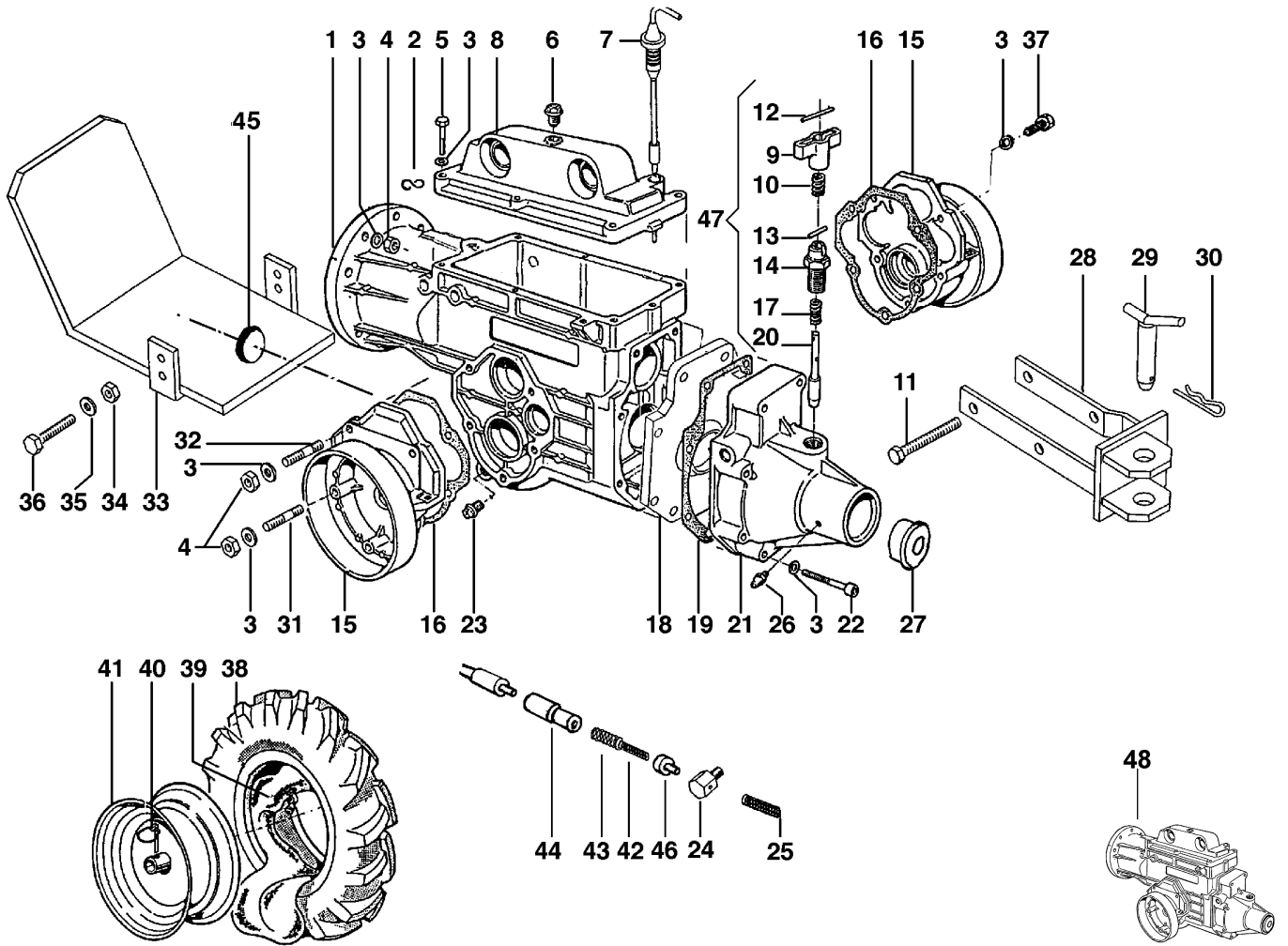


Illustration Speed-change gear box and wheels

Ref.Nu	Qty	Part number	Description	Validity from	Validity till	Notes	Bulletin
1	1	YF1250822	Speed-change gear box				
2	1	F0005621	Hook				
3	1	YN4365400	Washer				
4	1	320000028R	Nut				
5	1	3806067R	Screw				
6	1	YN5253930	Cap				
7	1	YK3500410	Rod				
8	1	YK3500400E	Cover				
9	1	YK3500330A	Knob				
10	1	YK7903016	Spring				
11	1	YN6361500	Screw				
12	1	YN5106600	Pin				
13	1	3022012R	Pin				
14	1	YF1250843	Shutter				
15	1	YK3500420	Cover (Wheel)				
16	1	YK3500470	Gasket				
17	1	YK3503360	Spring				
18	1	YF1250806	Flange				
19	1	YK3500460	Gasket				
20	1	YF1250842	Shutter				
21	1	YF1250807	Support				
22	1	YN6291000	Screw				
23	1	YK8536001	Cap				
24	1	YF1241618	Retainer (Sheath)				
25	1	YK7903009	Spring				
26	1	YN2603800	Nipple				
27	1	321000001R	Cap				
28	1	L0060900	Towing hitch				
29	1	68640049R	Pin				
30	1	YN5148800	Split pin				
31	1	YN3825650	Stud				
32	1	YN3813200	Stud				
33	1	68640136R	Guard				
34	1	320000028R	Nut				
35	1	YN4365400	Washer				
36	1	3806074R	Screw				
37	1	3806067R	Screw				
38	1	YN4851600	Tire			4.00-8"	
39	1	YN4881100	Inner tube			4.00-8"	
40	1	3933150R	Pin				
41	1	69200044I	Rim			4.00-8"	
42	1	YK7903004	Spring				
43	1	YK7903018	Spring				
44	1	YK1101850	Spring holder				
45	1	YN5265050	Cap				
46	1	YN5852100A	Clamp				

Illustration Speed-change gear box and wheels

Ref.Nu	Qty	Part number	Description	Validity from	Validity till	Notes	Bulletin
47	1	YR0000127	Shutter set				
48	1	68310029	Unit (Gear)				

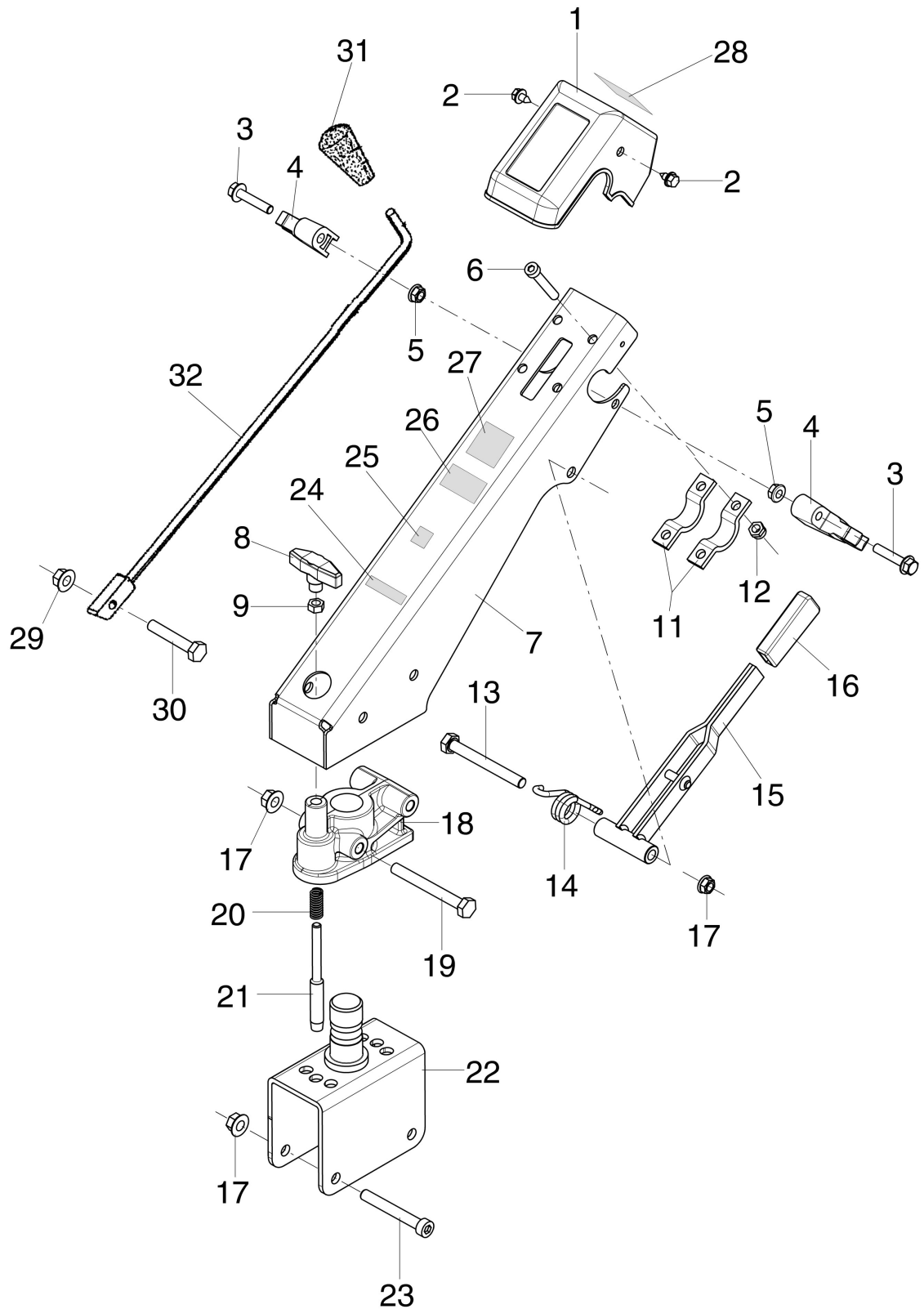


Illustration Handlebar rod

Ref.Nu	Qty	Part number	Description	Validity from	Validity till	Notes	Bulletin
1	1	68240022R	Cover				
2	1	YN3753600	Knob				
3	1	3806076R	Screw				
4	1	YF1255009D	Support				
5	1	3914010R	Nut				
6	1	YN6289250	Screw				
7	1	68610041AR	Handlebar rod				
8	1	YN3753000	Knob				
9	1	YN1457300	Nut				
11	2	YF1151601	Clamp				
12	4	YN1458800	Nut				
13	1	YN6361500	Screw				
14	1	YF1291634B	Spring				
15	1	YF1291636	Lever				
16	1	YN2840480	Knob				
17	1	3914014R	Nut				
18	1	68610051R	Grip-end handlebar rod				
19	1	3914006R	Nut				
20	1	YK3503360	Spring				
21	1	YF1251637	Shutter				
22	1	68310097AR	Column support				
23	1	YN6357200	Screw				
24	1	3056375R	Mark (Made in Italy)				
25	1	68350211R	Label (Ergonomic handling system)				
26		68310106R	Label				
27	1	68250018R	Plate NIBBI				
28	1	F1241627	Mark				
29	1	3914006R	Nut				
30	1	3801024R	Screw				
31	1	YN3753600	Knob				
32	1	68310109R	Rod				

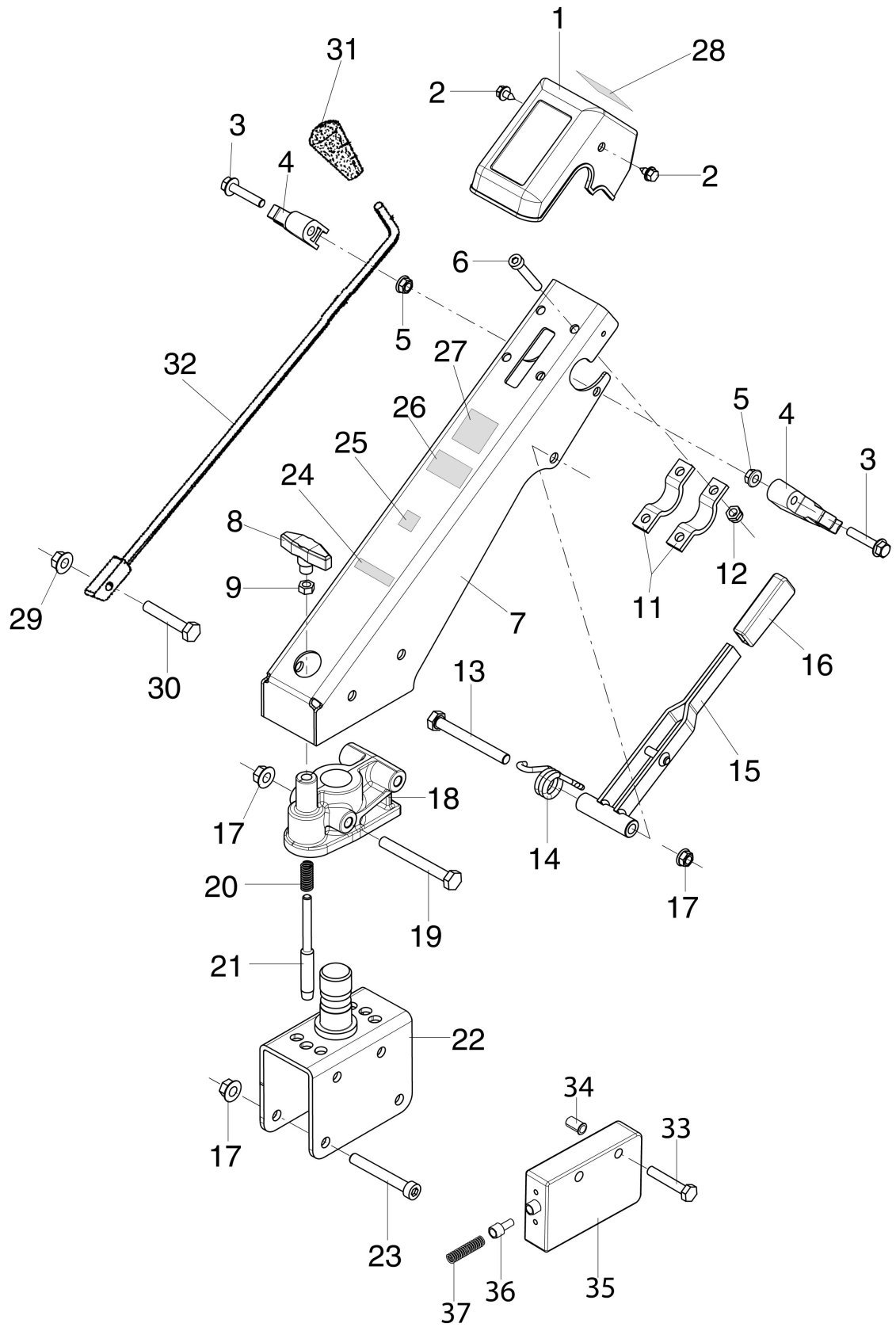


Illustration Handlebar rod (from 01/2018)

Ref.Nu	Qty	Part number	Description	Validity from	Validity till	Notes	Bulletin
1	1	68240022R	Cover				
2	1	YN3753600	Knob				
3	1	3806076R	Screw				
4	1	YF1255009D	Support				
5	1	3914010R	Nut				
6	1	YN6289250	Screw				
7	1	68610041AR	Handlebar rod				
8	1	YN3753000	Knob				
9	1	YN1457300	Nut				
11	2	YF1151601	Clamp				
12	4	YN1458800	Nut				
13	1	YN6361500	Screw				
14	1	YF1291634B	Spring				
15	1	YF1291636	Lever				
16	1	YN2840480	Knob				
17	1	3914014R	Nut				
18	1	68610051R	Grip-end handlebar rod				
19	1	3914006R	Nut				
20	1	YK3503360	Spring				
21	1	YF1251637	Shutter				
22	1	68310120R	Support				
23	1	YN6357200	Screw				
24	1	3056375R	Mark (Made in Italy)				
25	1	68350211R	Label (Ergonomic handling system)				
26		68310105R	Label				
27	1	68250018R	Plate NIBBI				
28	1	F1241627	Mark				
29	1	3914006R	Nut				
30	1	3801024R	Screw				
31	1	YN3753600	Knob				
32	1	68310109R	Rod				
33	2	3801030R	Screw				
34	2	52040203R	Bushing				
35	1	68350179R	Device EHS				
36	1	68310127R	Bushing				
37	1	68310218R	Spring				

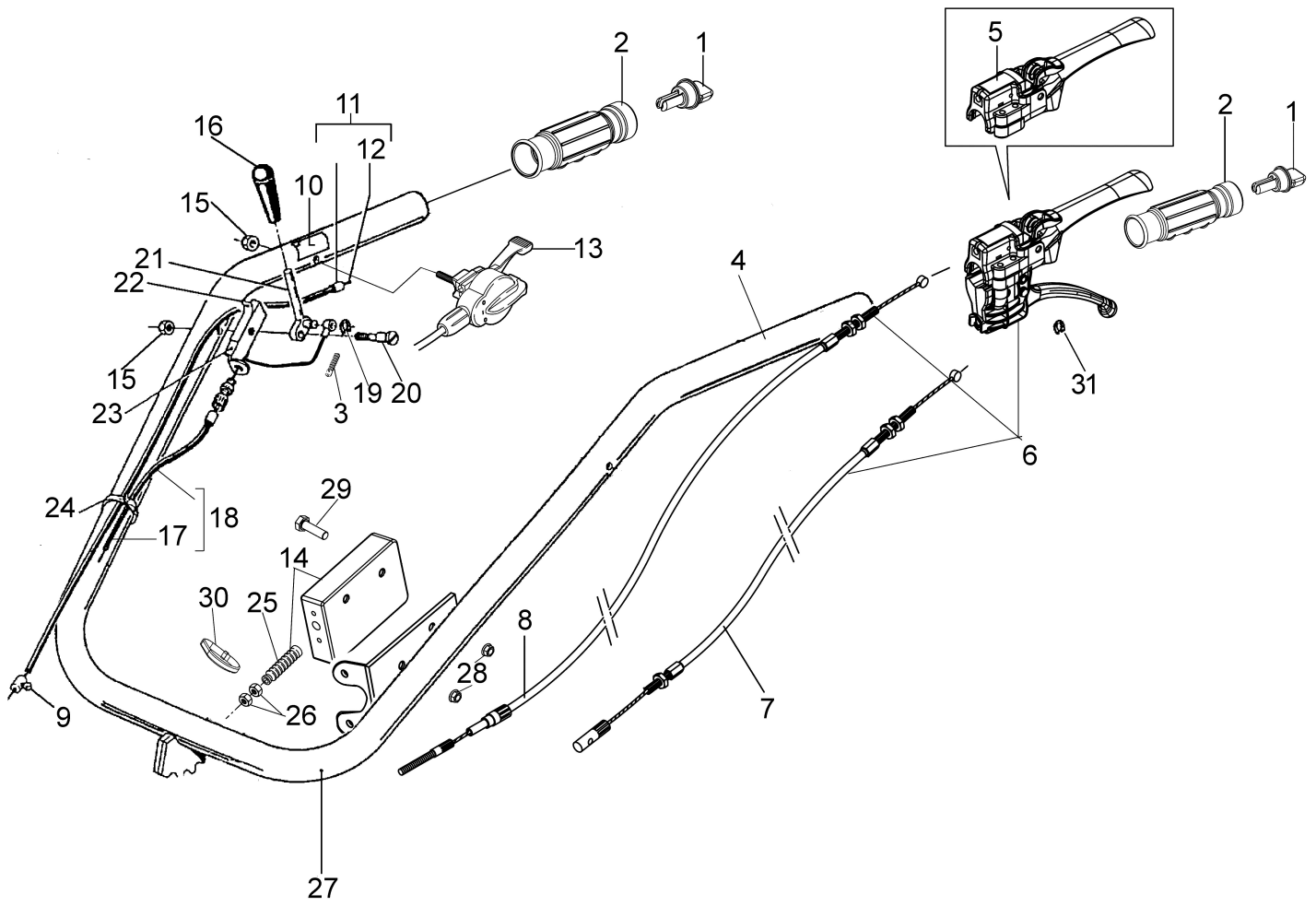


Illustration Handle bars

Ref.Nu	Qty	Part number	Description	Validity from	Validity till	Notes	Bulletin
1	1	68320127	Extension				
2	1	68320126R	Knob				
3	1	YF1370387	Guard				
4	1	YN5380870	Mark (Instruction)				
5		-	Not available for this product				
6	1	68310092AR	Clutch lever				
7	1	68310114R	Bowden cable			Da abbinare al	
8	1	68310113R	Transmission			cod.F1370413 (rif.31); To	
9	1	YN5901000	Clamp			be matched p/n.F1370413	
10	1	YN5380805	Mark (Accelerator)				
11	1	YN5464000	Transmission				
12	1	N5614500	Rope				
13	1	3044010R	Set (Cable Motor-stop - Fuel control - Button)				
14	1	68350179R	Device EHS				
15	1	3914006R	Nut				
16	1	YN3752300	Knob				
17	1	N5649008	Rope				
18	1	68330194	Transmission				
19	1	3024008	Snap ring				
20	1	YF1061613	Pin				
21	1	YF1091657	Lever				
22	1	YF1091690	Mark				
23	1	YF1091687	Support				
24	1	YN1764000	Band				
25	1	66060614R	Buffer				
26	2	034000013R	Nut				
27	1	68310103BR	Handle				
28	2	3980019R	Nut				
29	2	3801017R	Screw				
30	1	3059018	Band				
31	1	F1370413	Clamp				

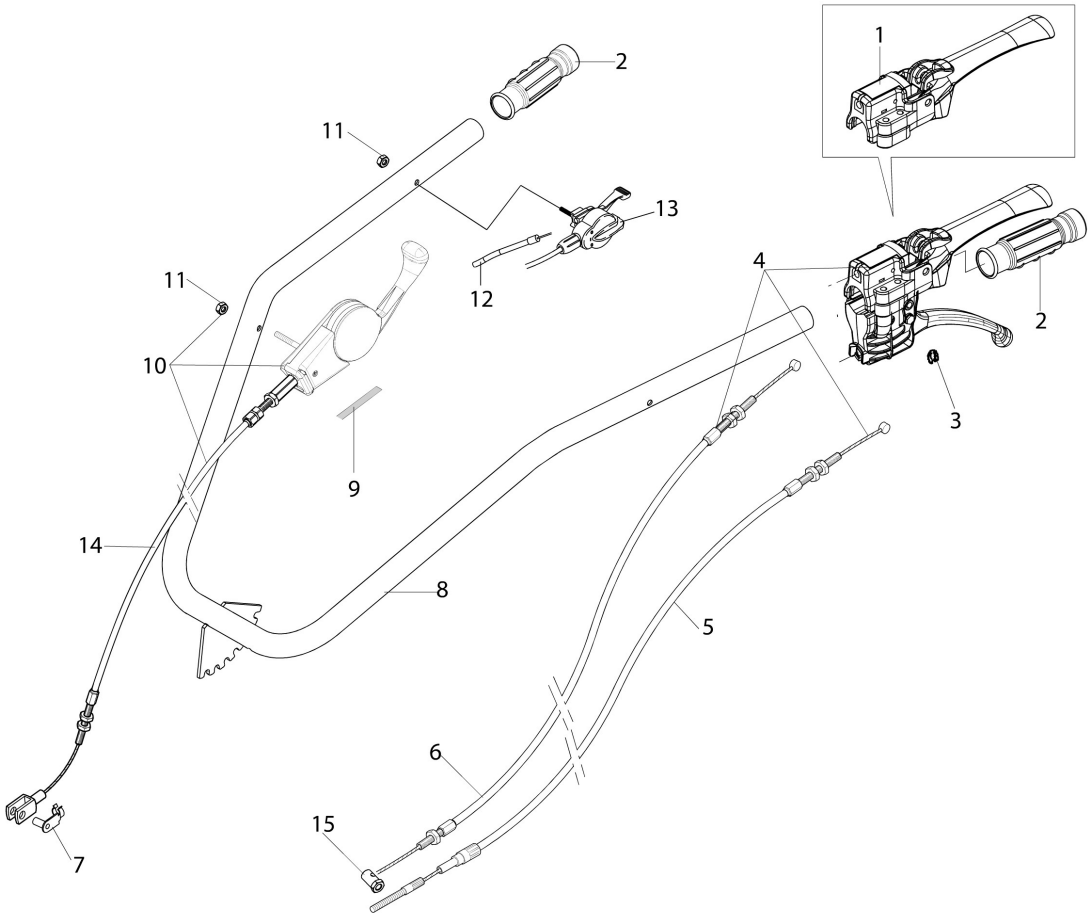


Illustration Handlebars (from 01/2018)

Ref.Nu	Qty	Part number	Description	Validity from	Validity till	Notes	Bulletin
1		-	Not available for this product				
2	2	68320126R	Knob				
3	1	F1370413	Clamp				
4	1	68310124R	Complete lever				
5	1	68310130R	Transmission			Da abbinare al cod.F1370413 (rif.3); To be matched p/n.F1370413	
6	1	68310129R	Transmission				
7	1	YK8197002	Pin				
8	1	68310123R	Handlebar				
9	1	68310126R	Label				
10	1	68310125R	Control lever				
11	2	3914006R	Nut				
12	1	YN5464000	Transmission				
13	1	3044010R	Set (Cable Motor-stop - Fuel control - Button)				
14	1	68310131R	Transmission				
15	1	YN5901500	Clamp				

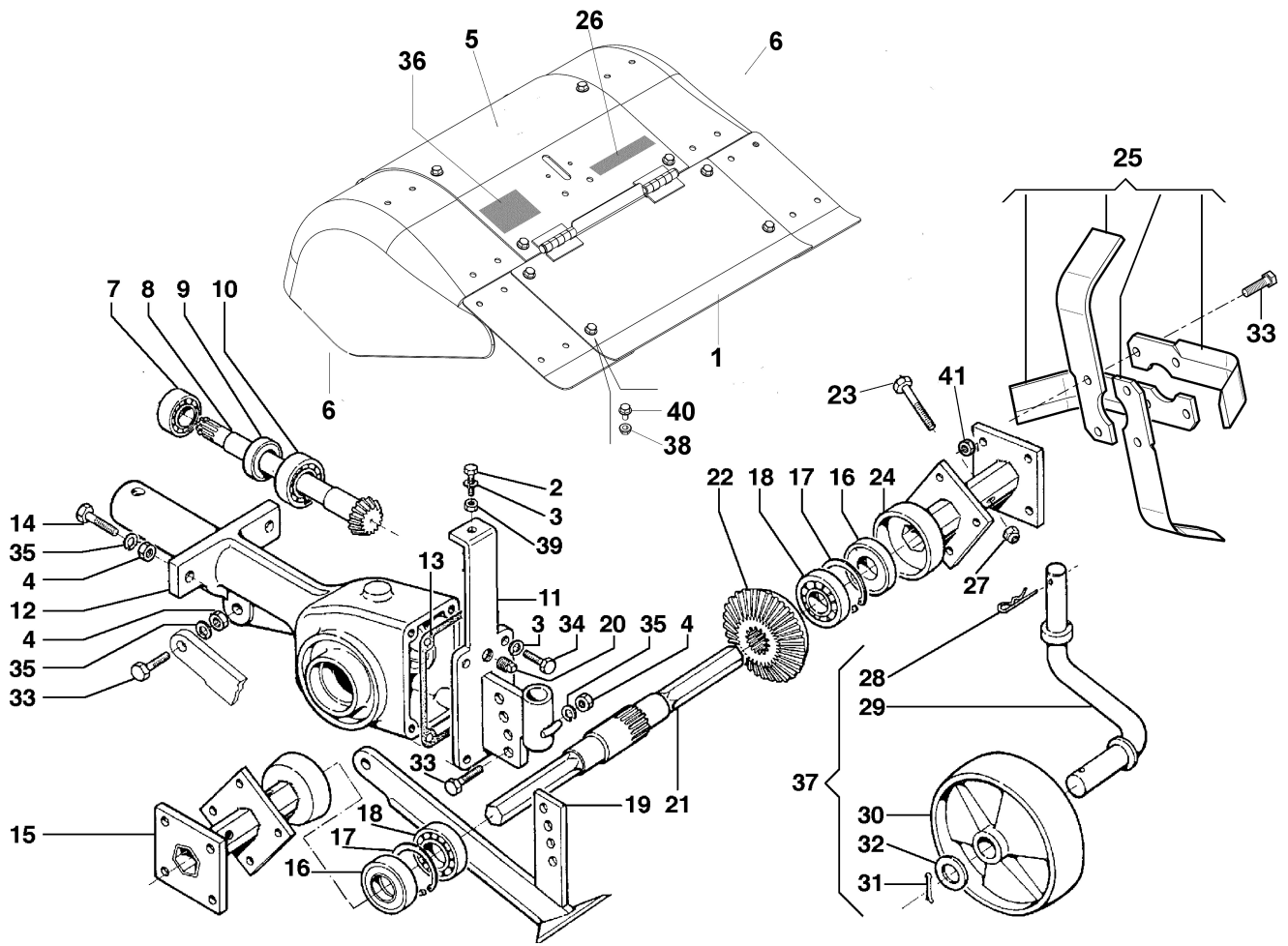


Illustration Tiller 69219111/69219108

Ref.Nu	Qty	Part number	Description	Validity from	Validity till	Notes	Bulletin
1	1	69210263R	Hood			60 cm	
1	1	69210040R	Hood			50 cm	
2	1	3806063R	Screw				
3	1	N4364350	Washer				
4	1	YN1457300	Nut				
5	3	69210220R	Mark NIBBI			A richiesta; Upon request	
6	3	69210220R	Mark NIBBI			A richiesta; Upon request	
7	1	YN1257600	Bearing				
8	1	YF0017201	Sprocket				
9	1	YN0207300	Seal ring				
10	1	YN1263701	Bearing				
11	1	68310060R	Support				
12	1	F0017200	Housing				
13	1	K3501840	Gasket				
14	1	3806067R	Screw				
15	1	L0116300	Kit containing pair of spacers to limit the rotor width to				
15	1	YF0017210	Hub				
16	1	N0209800	Ring				
17	1	N0134200	Seeger				
18	1	N1269800	Bearing				
19	1	69210091R	Blade				
20	1	K8535002	Cap				
21	1	K3501750	Shaft				
22	1	F0017202	Rim				
23	1	3806076R	Screw				
24	1	YF0017210	Hub				
25	1	R0000139	Cutters kit			Per fresa	
26	1	F0015577	Mark (Danger)			69219110/69219107 kit A richiesta; Upon request Composto da: 10pz di	
27	1	YN1458800	Nut				
28	1	N1054500	Cotter pin			10pz. di F0017003 (coltello SX) ; For tiller	
29	1	K3501830	Support				
30	1	Z0020368	Support wheel			composed by: 10pcs of F0017002 (RIGHT knife) +	
31	1	YN1060200	Cotter pin				
32	1	3916020	Washer				
33	1	3806067R	Screw				
34	1	YN6249300	Screw				
35	1	3819013R	Grower				
36	1	3056374R	Mark (Made in Italy)			A richiesta; Upon request	
37	1	Z0020368	Support wheel				
38	12	3933032R	Nut				
39	1	320000028R	Nut				
40	16	3933034R	Screw				
41	1	YN1457570	Nut				

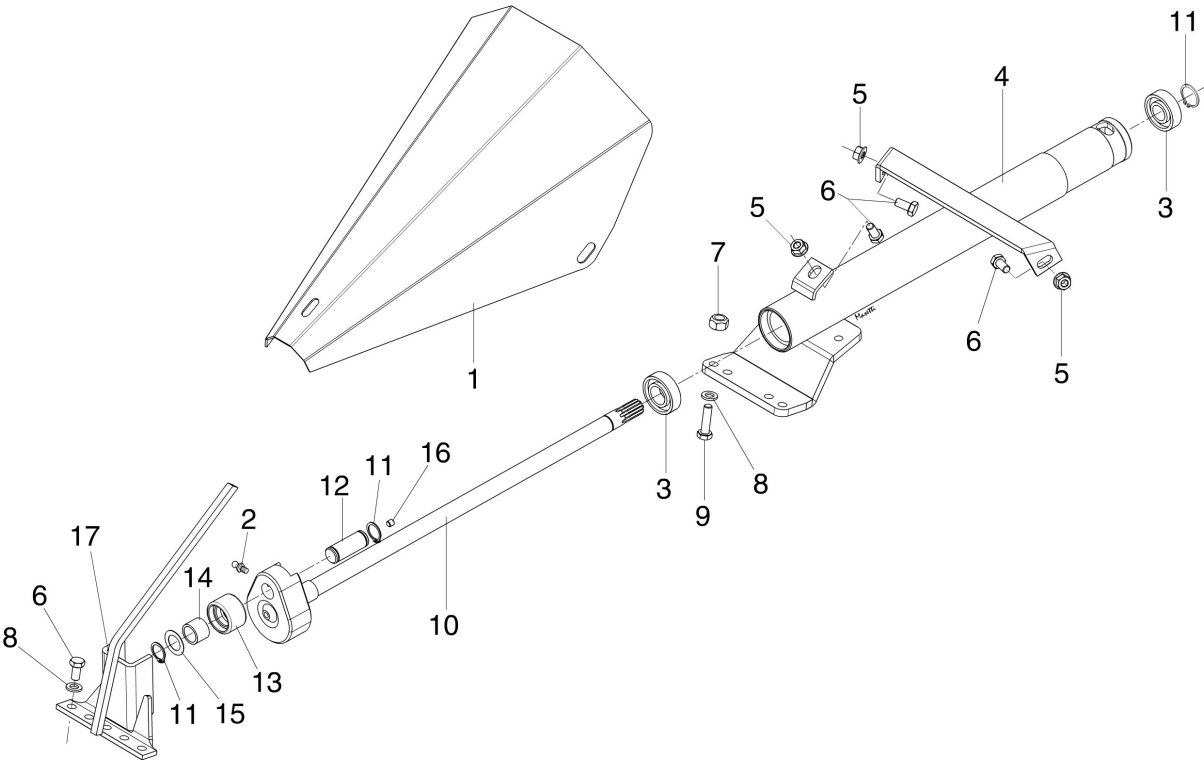


Illustration Cam drive 69229092

Ref.Nu	Qty	Part number	Description	Validity from	Validity till	Notes	Bulletin
1	1	LS611059	Hood			Azzurro ; Light blue	
2	1	LS500001	Nipple				
3	2	LS591007	Bearing				
4	1	LS611040	Supporting frame				
5	12	LS7060008	Nut				
6	8	LS7000816	Screw				
7	4	LS7310002	Nut				
8	6	LS7092901	Washer				
9	4	LS7000835	Screw				
10	1	LS611041	Shaft				
11	3	LS594017	Snap ring				
12	1	LS611048	Pin				
13	1	LS611043	Bushing				
14	1	LS591030	Ring				
15	1	LS591031	Washer				
16	1	LS7110606	Grub screw				
17	1	LS611049	Head blade				

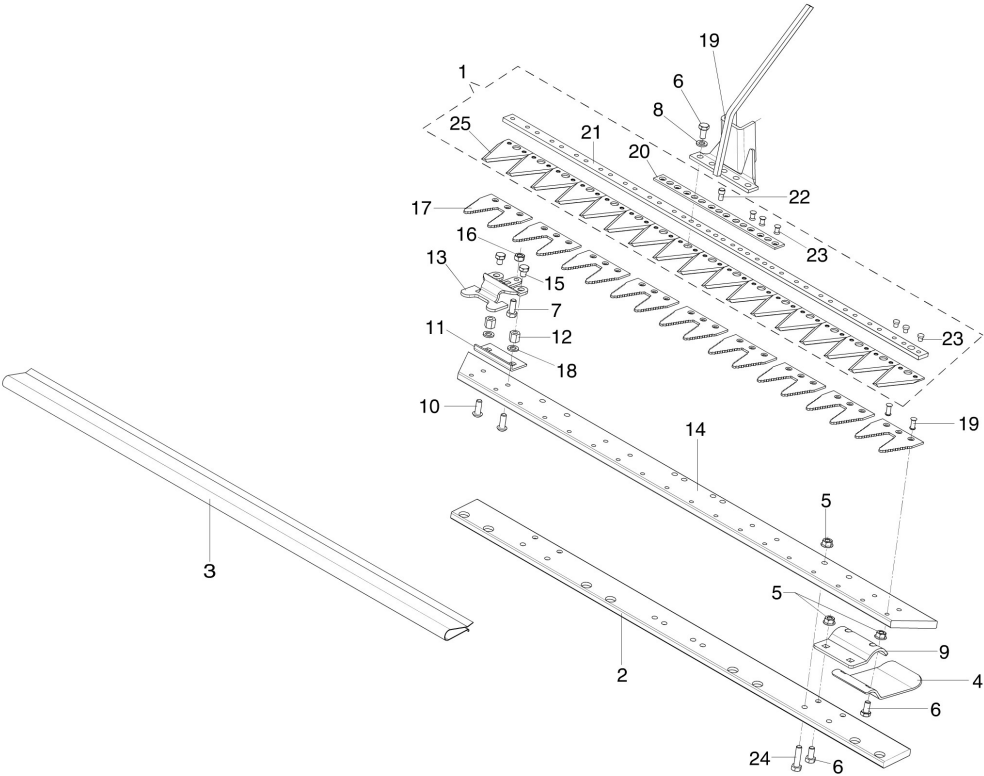


Illustration Cutter bar 69222011

Ref.Nu	Qty	Part number	Description	Validity from	Validity till	Notes	Bulletin
1	1	LS471704R	Bar assy 92 cm				
2	1	LS621199	Counterweight				
3	1	LS625055	Guard 92 cm				
4	2	LS621172	Sliding block				
5	9	LS7060008	Nut				
6	5	LS7000816	Screw				
7	4	LS7000820	Screw				
8	2	LS7092901	Washer				
9	2	LS621136	Support				
10	8	LS7190822	Screw				
11	4	LS621139	Blades support				
12	8	LS621135	Spacer				
13	4	LS621230	Pressblade				
14	1	LS626911	Plate				
15	8	LS7000810	Screw				
16	4	LS7020008	Nut				
17	9	LS623122	Tooth (Double)				
18	8	LS7090008	Washer				
19	1	LS611049	Head blade				
20	1	LS625217	Plate				
21	1	LS3417125	Tube				
22	1	LS625049	Pin				
23	34	YLS628065	Rivet				
24	4	LS7000825	Screw				
25	17	LS310067R	Blade				