



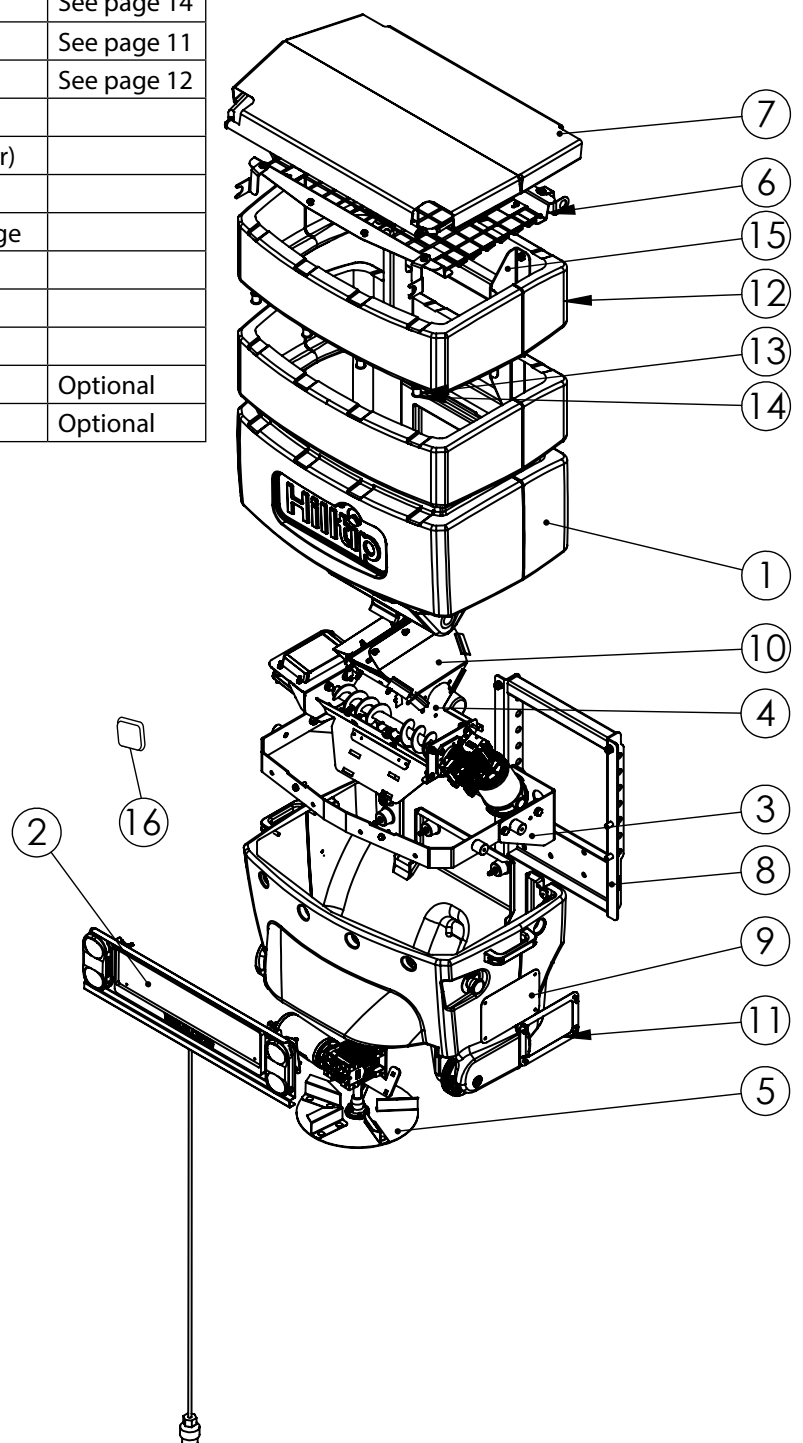
PARTS LIST

120 - 300 LITER TAILGATE SPREADER
(US 45 - 100 TAILGATE SPREADER)

SPREADER ASSEMBLY.....	2
BOTTOM ASSEMBLY.....	3
INVERT VEE ASSEMBLY.....	4
SALT STOP KIT.....	4
SPINNER ASSEMBLY.....	5
MOTOR GEARBOX ASSEMBLY.....	7
AUGER MOTOR GEARBOX ASSEMBLY.....	8
FRAME ASSEMBLY.....	9
SCREEN ASSEMBLY.....	10
MOUNTING FRAME ASSEMBLY.....	11
PLASTIC ASSEMBLY.....	12
REAR LIGHTS & LICENS PLATE KIT.....	13
TARP COVER ASSEMBLY.....	14
CABLES.....	15
CONNECTORS.....	16

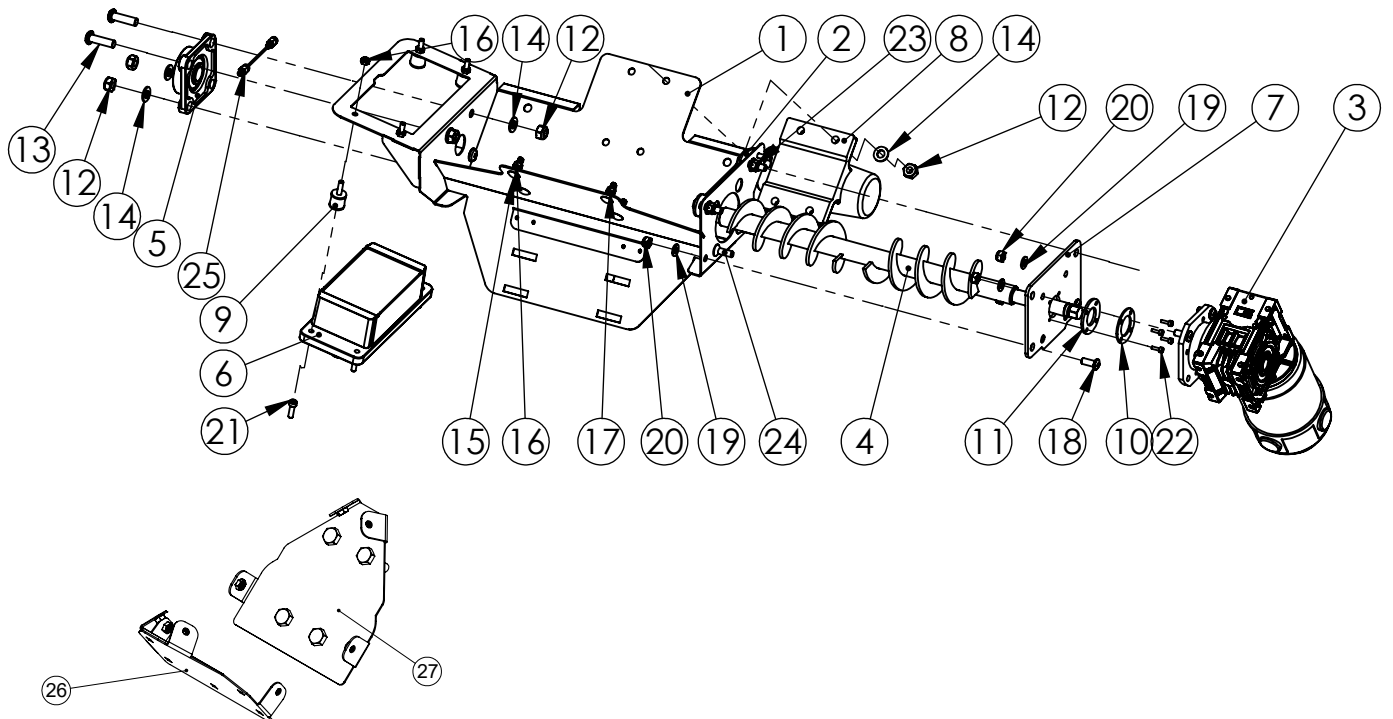
SPREADER ASSEMBLY

Item	Qty	Part no.	Description	Notes
1	1	H26811	TG top plastic bin 120L Grey	
	1	H26821	TG top plastic bin 200L Grey	
	1	H26812	TG top plastic bin 120L Orange	
	1	H26822	TG top plastic bin 200L Orange	
2	1	H27237	Rear lights LED & Licens plate kit	See page 13
3	1	H27550	Frame assembly	See page 8
4	1	H27551	Bottom assembly	See page 3
5	1	H27552	Spinner assembly + motor gearbox	See page 5
6	1	H27553	Screen assembly	See page 10
7	1	H27554	Tarp cover assembly	See page 14
8	1	H27555	Mounting frame assembly	See page 11
9	1	H27556	Plastic bottom assembly	See page 12
10	1	H27557	Invert vee assembly	
11	1	H40322	Inspection lid kit (inform color)	
12	1	H41328	TG top plastic bin 300L, Grey	
	1	H41568	TG top plastic bin 300L, Orange	
13	8	H29977	POM Bush	
14	16	HF10533	Washer DIN 9021 M8 A4	
15	1	H41329	Upper support kit 300l TG	
16	1	H21864	LED work light red	Optional
	1	H26681	LED work light white	Optional



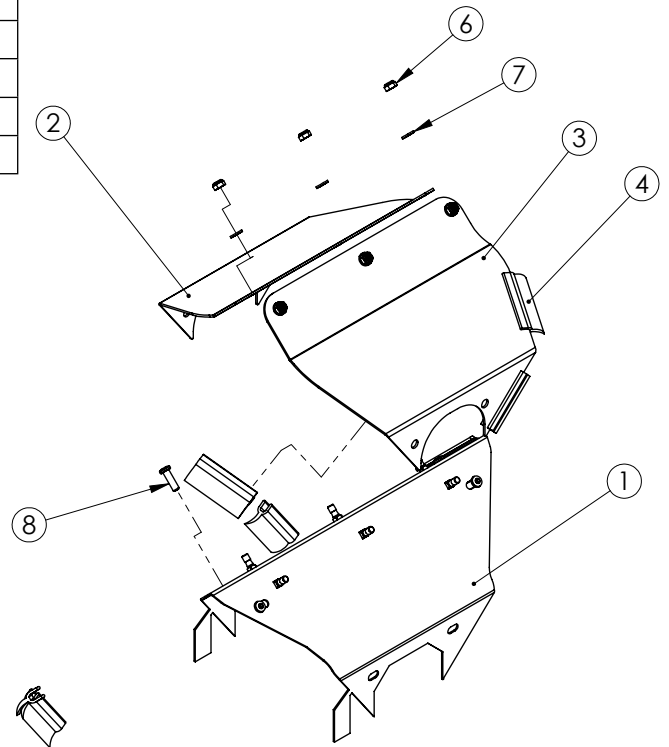
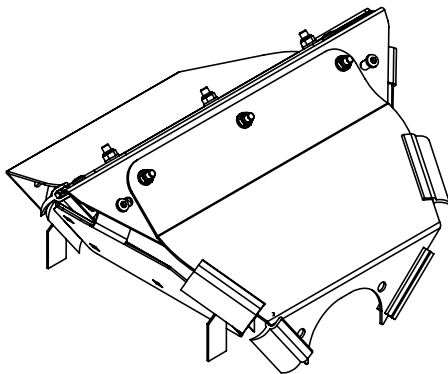
BOTTOM ASSEMBLY - H27551

Item	Qty	Part no.	Description
1	1	H26886	Spreader bottom TG
2	1	H27874	Bolt bracket
3	1	H26990	Motor gearbox assembly
4	1	H26938	Screw Auger screw
5	1	H23127	Flange bearing unit stainless
6	1	H27147	Spreader module, wireless (standard)
	1	H30346	Spreader module, hardwired (optional)
7	1	H25107	Plate
8	1	H26992	Vibrator Assembly
9	4	H24772	Vibration dampener SS
10	1	H27051	Seal Plate
11	1	H27052	Polyurethane seal
12	8	HF10503	Lock nut M10
13	2	HF19399	ISO 7380 A2 M10x35
14	8	HF10479	Washer
15	4	HF10931	DIN 603 A4 M6x25
16	8	HF10512	Lock nut M6 A4 DIN985
17	4	HF10491	Washer Washer DIN 125 M6 A4
18	2	HF19374	Hexagon socket head bolt
19	4	HF10492	DIN 125 A4 M8/8,4
20	5	HF10513	Nylock DIN 985 M8 A4-80
21	4	HF10440	Bolt M6x20 DIN 912 A4
22	4	HF10418	DIN912 A4 M4x12
23	2	HF19405	Flange nyloc A4 M8
24	2	HF10915	DIN 7991 A4 M8x25
25	1	H40404	Lubrication adapter
26	1	H27084	Bracket
27	1	H27082	Bracket



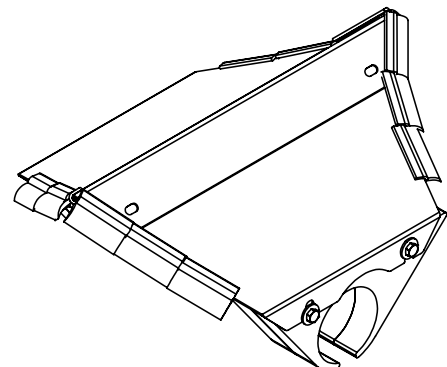
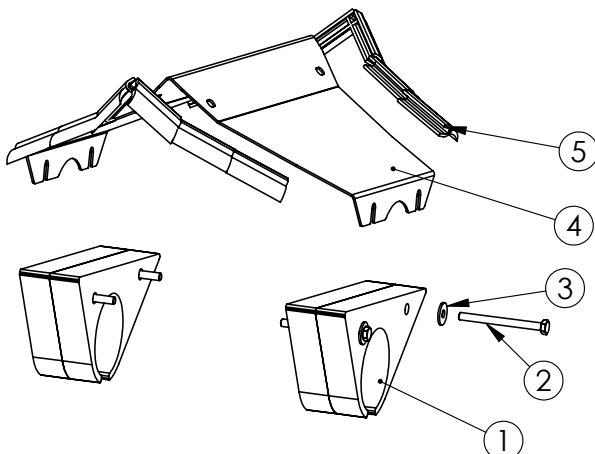
INVERT VEE ASSEMBLY - H27557

Item	Qty	Part no.	Description
1	1	H26944	Plate
2	1	H27081	Plate
3	1	H27080	Plate
4	8	H27086	Rubber flap seal
5	6	HF10929	Lockbolt DIN603 M6x16 A4
6	6	HF10512	LOCK NUT M6 A4 DIN985
7	6	HF10491	Washer
8	4	HF19380	ISO7380 A4 M6x20



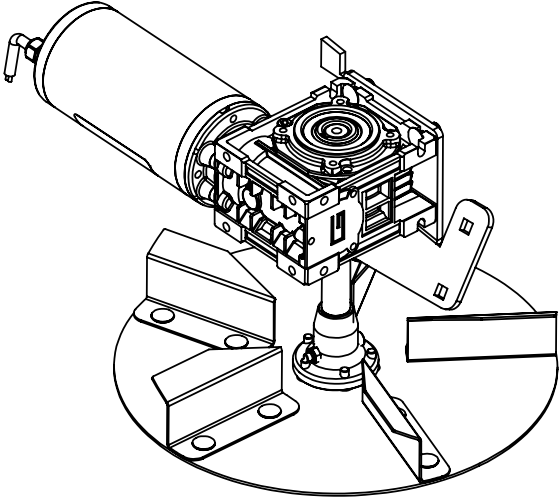
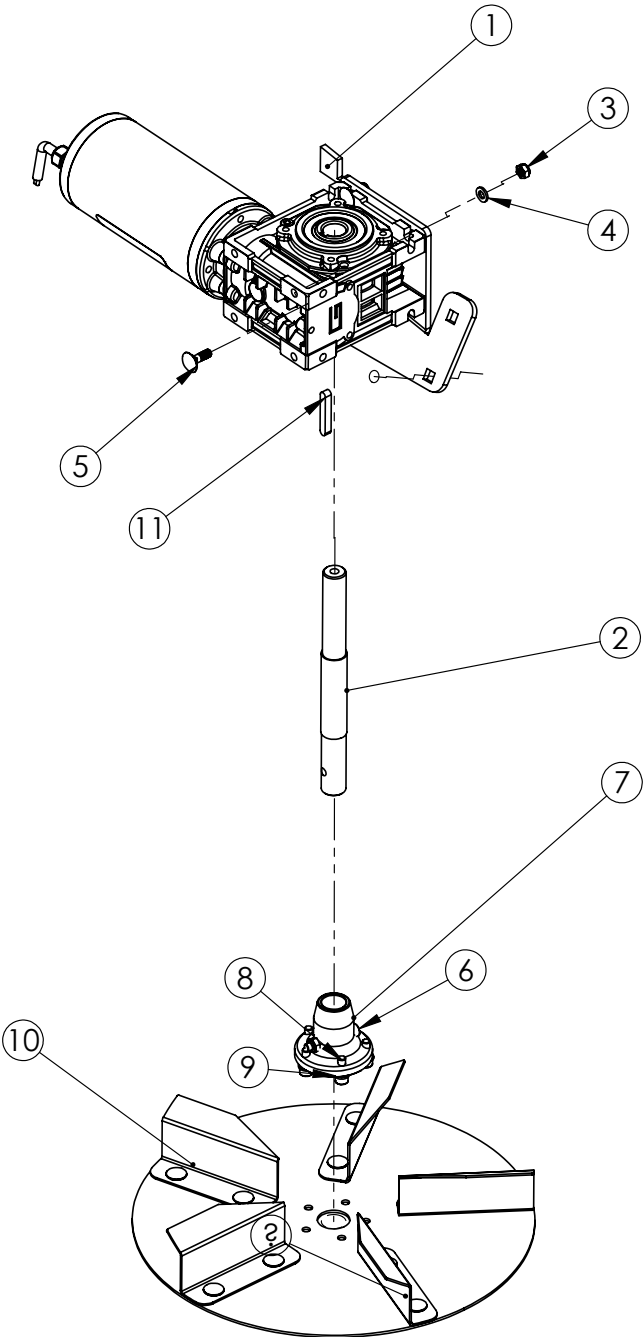
SALT STOP KIT - H27586 (OPTION)

Item	Qty	Part no.	Description
1	4	H27384	TG saltstop rubber
2	4	HF10197	DIN 931 A4 M6x70
3	4	HF10532	Washer DIN 9021 M6 A4
4	1	H27592	Saltstop inv. Vee plate 1.0
5	2	H28821	Rubber edge trim with lip 2-4mm



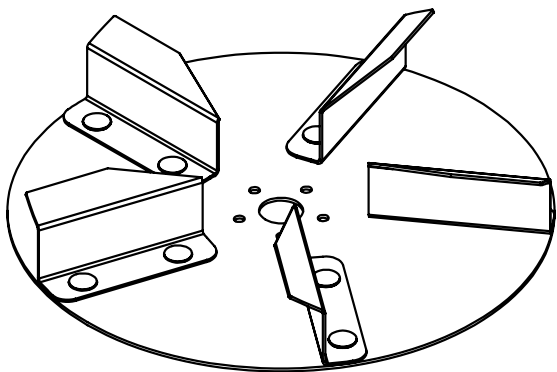
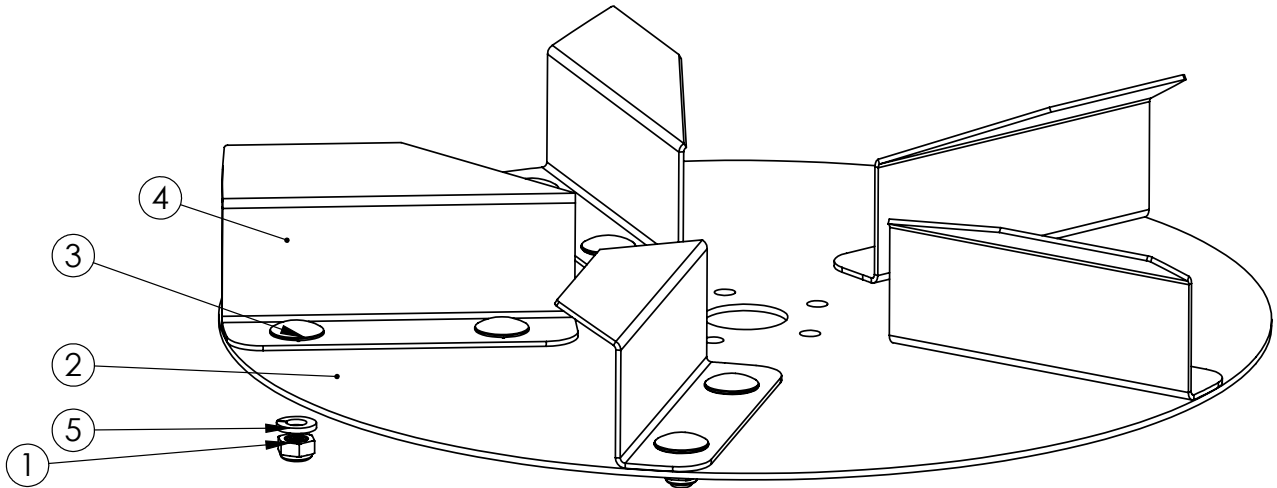
SPINNER ASSEMBLY - H27552

Item	Qty	Part no.	Description	
1	1	H26989	Motor gearbox assembly	See page 7
2	1	H26891	Axle	
3	5	HF10512	LOCK NUT M6 A4 DIN 985	
4	4	HF10491	Washer	
5	4	HF10930	DIN 603 A4 M6x20	
6	1	HF10443	M6x40 DIN 4762 A4	
7	1	H21756	Center, Spinner, dia.60-52	
8	5	HF10438	In Hex Bolt M6x16 DIN 4762 A4	
9	5	HF10501	Washer M6 A4 DIN 127	
10	1	H21760	Spinner plate assembly	See page 6
11	1	H22083	Parallel key	



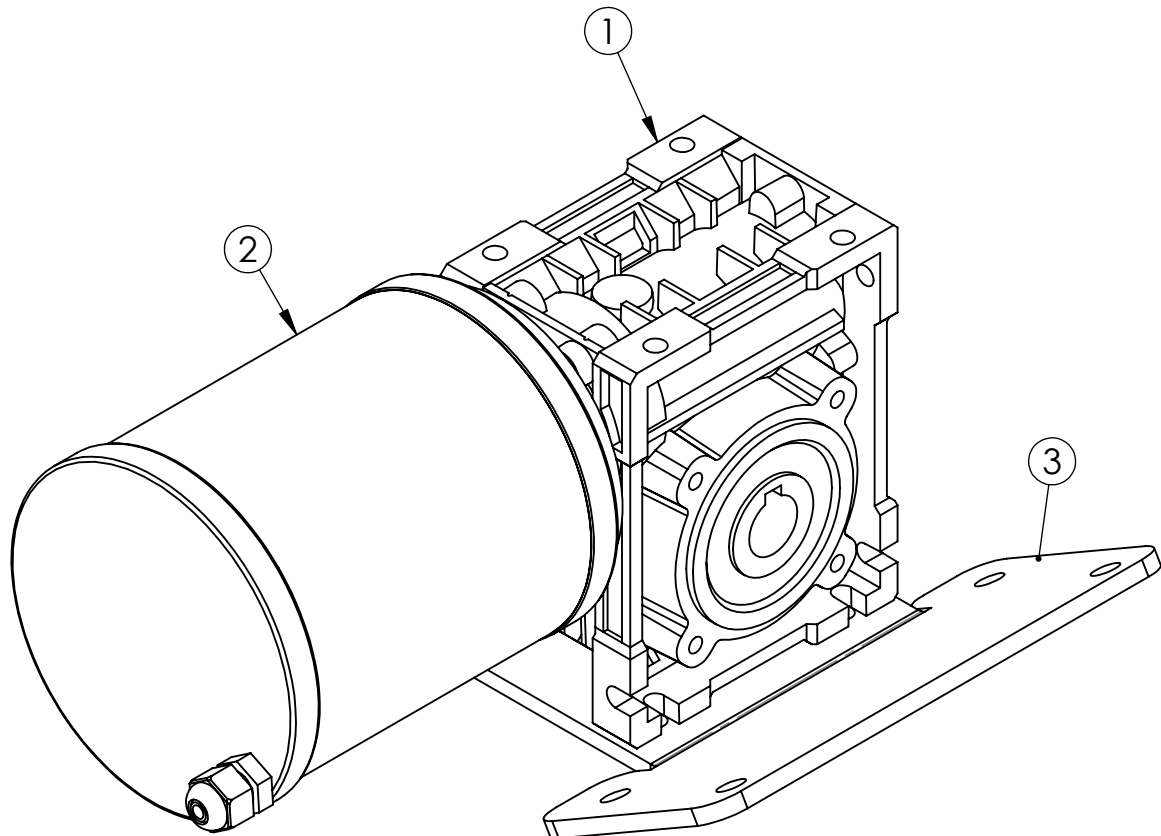
SPINNER PLATE ASSEMBLY - H21760

Item	Qty	Part no.	Description
1	10	HF10512	LOCK NUT M6 A4 DIN985
2	1	H21761	Plate
3	10	HF19113	Lockbolt M6x12 A4
4	5	H21758	Plate
5	15	HF10501	Washer M6 A4 DIN 127



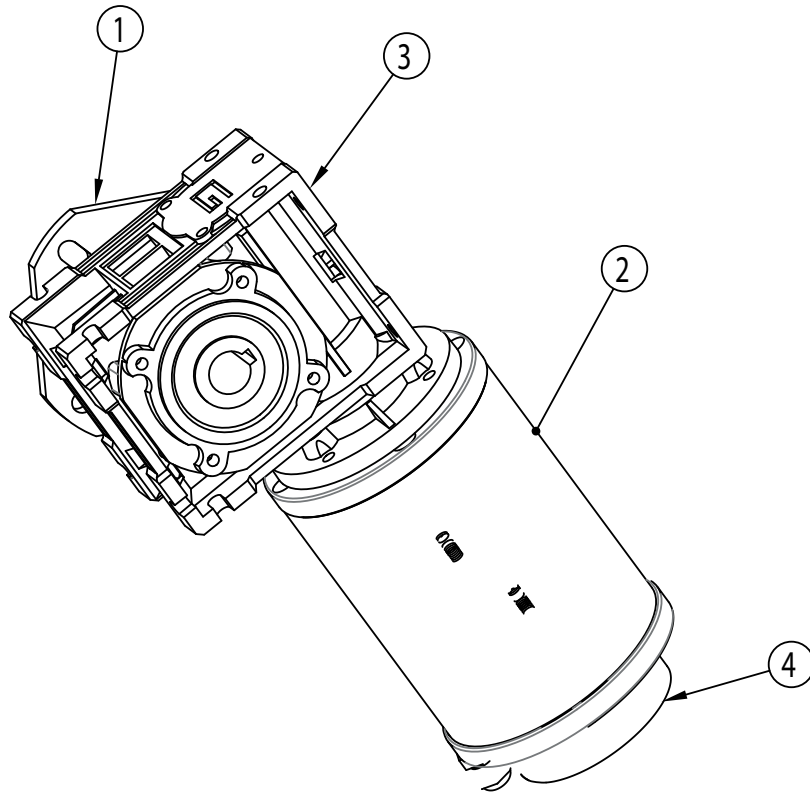
SPINNER MOTOR GEARBOX ASSEMBLY - H26989

Item	Qty	Part no.	Description
1	1	H26981	Gearbox TG- Spinner 1:6
2	1	H30252	Spinnermotor 250W motor assembly
3	1	H26890	Bracket



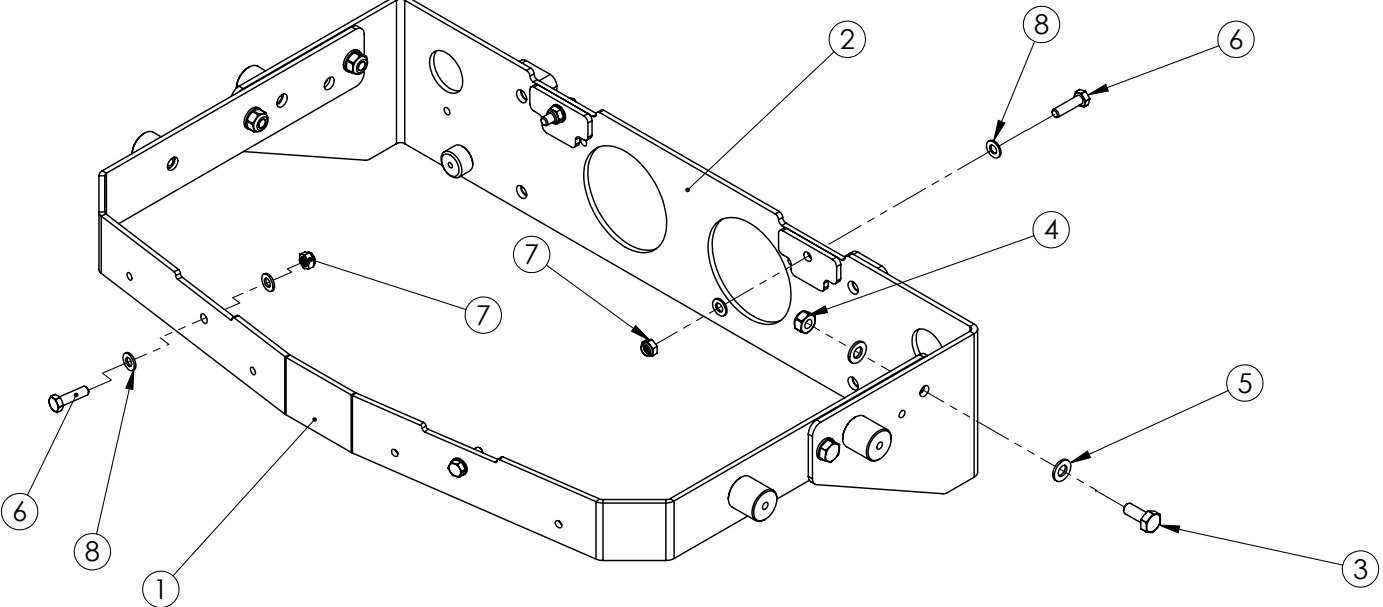
AUGER MOTOR GEARBOX ASSEMBLY - H26990

Item	Qty	Part no.	Description
1	1	H26983	Gearbox mounting flange
2	1	H24794	Motor 400W with encoder axle
3	1	H26982	Gearbox NMRW040-1:40
4	1	H25898	Sensor cover
5	1	H25960	Encoder



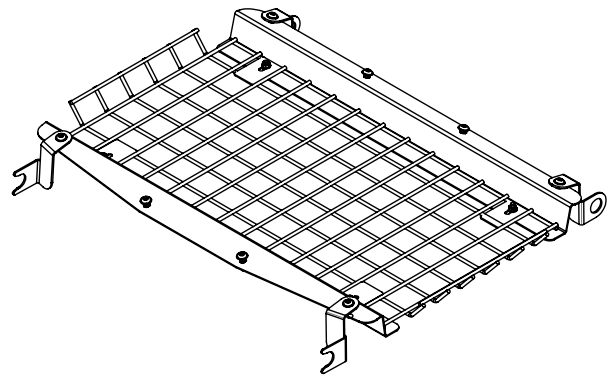
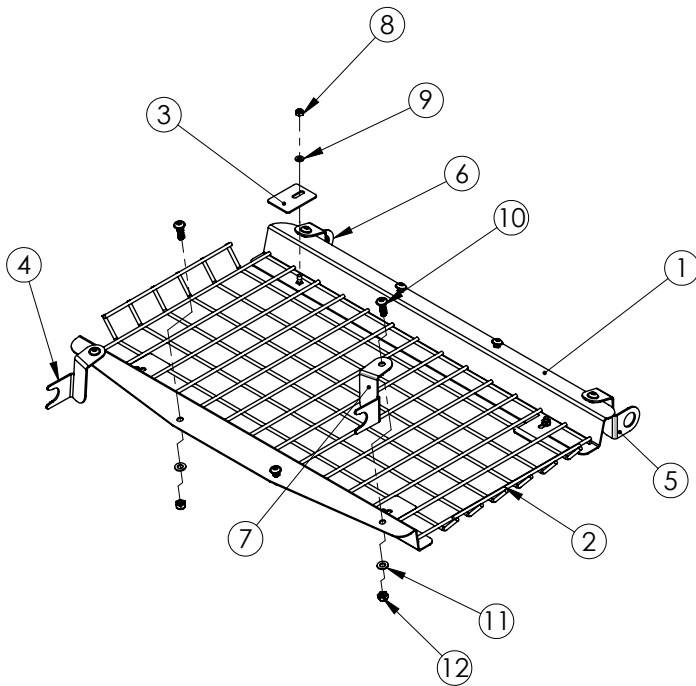
FRAME ASSEMBLY - H27550

Item	Qty	Part no.	Description
1	1	H26884	TG frame bracket
2	1	H26880	TG frame
3	4	HF10673	Hex Bolt M10x25
4	4	HF10503	Lock nut M10
5	8	HF10479	Washer
6	4	HF10745	Hex Bolt M8x30
7	4	HF10513	Nylock M8 A4
8	8	HF10492	DIN 125 A4 M8/8,4



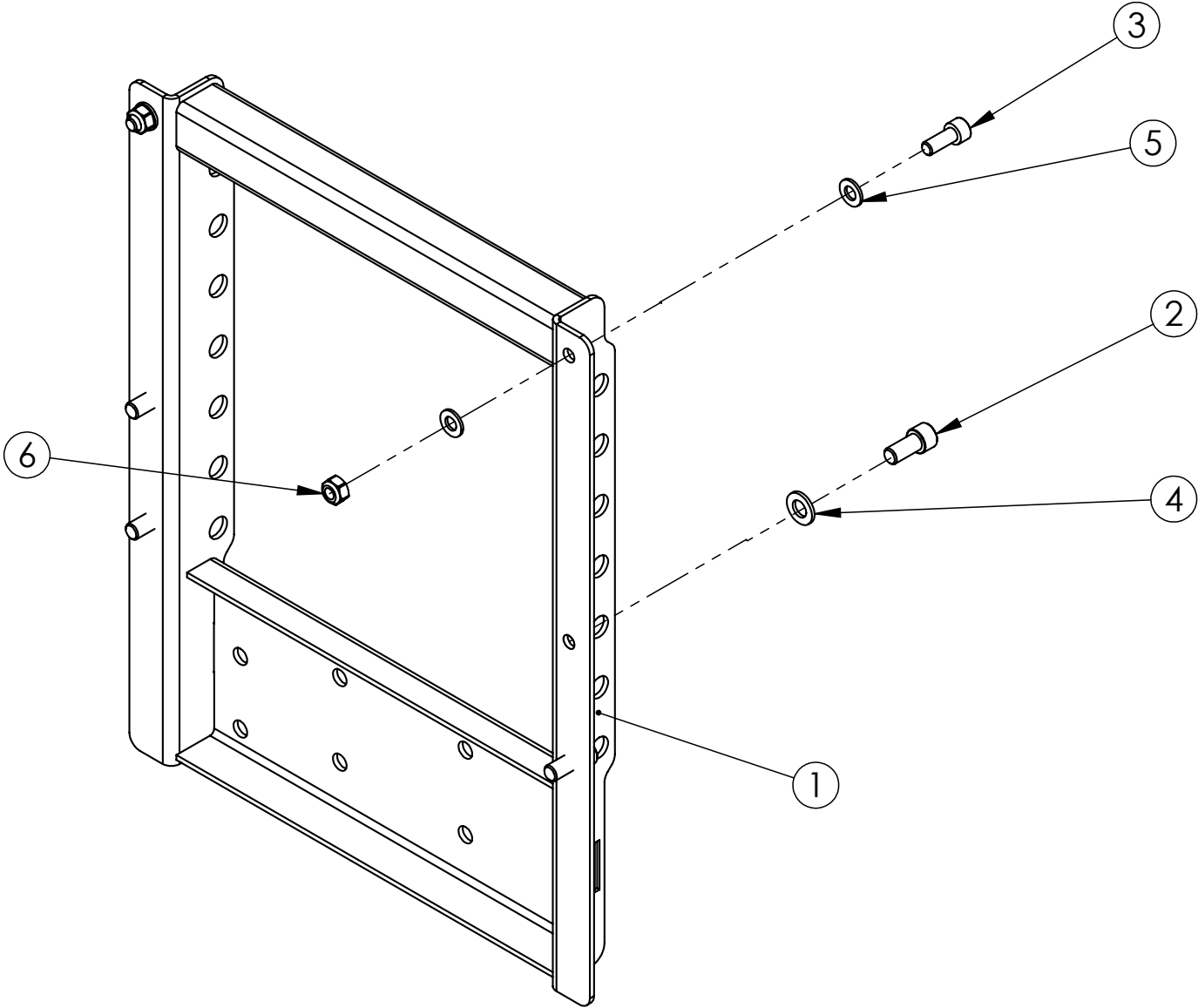
SCREEN ASSEMBLY - H27553

Item	Qty	Part no.	Description
1	1	H27079	Net assembly
2	1	H27285	Net 120/200
3	4	H27284	Net washer
4	1	H26970	Cover bracket left
5	1	H27061	Cover bracket left
6	1	H27062	Plate
7	1	H26971	Cover bracket right
8	4	HF10512	LOCK NUT M6 A4 DIN985
9	4	HF10491	Washer
10	8	HF19400	ISO 7380-2 M8x25 A4
11	8	HF10492	DIN 125 A4 M8/8,4
12	8	HF10513	Nylock M8 A4



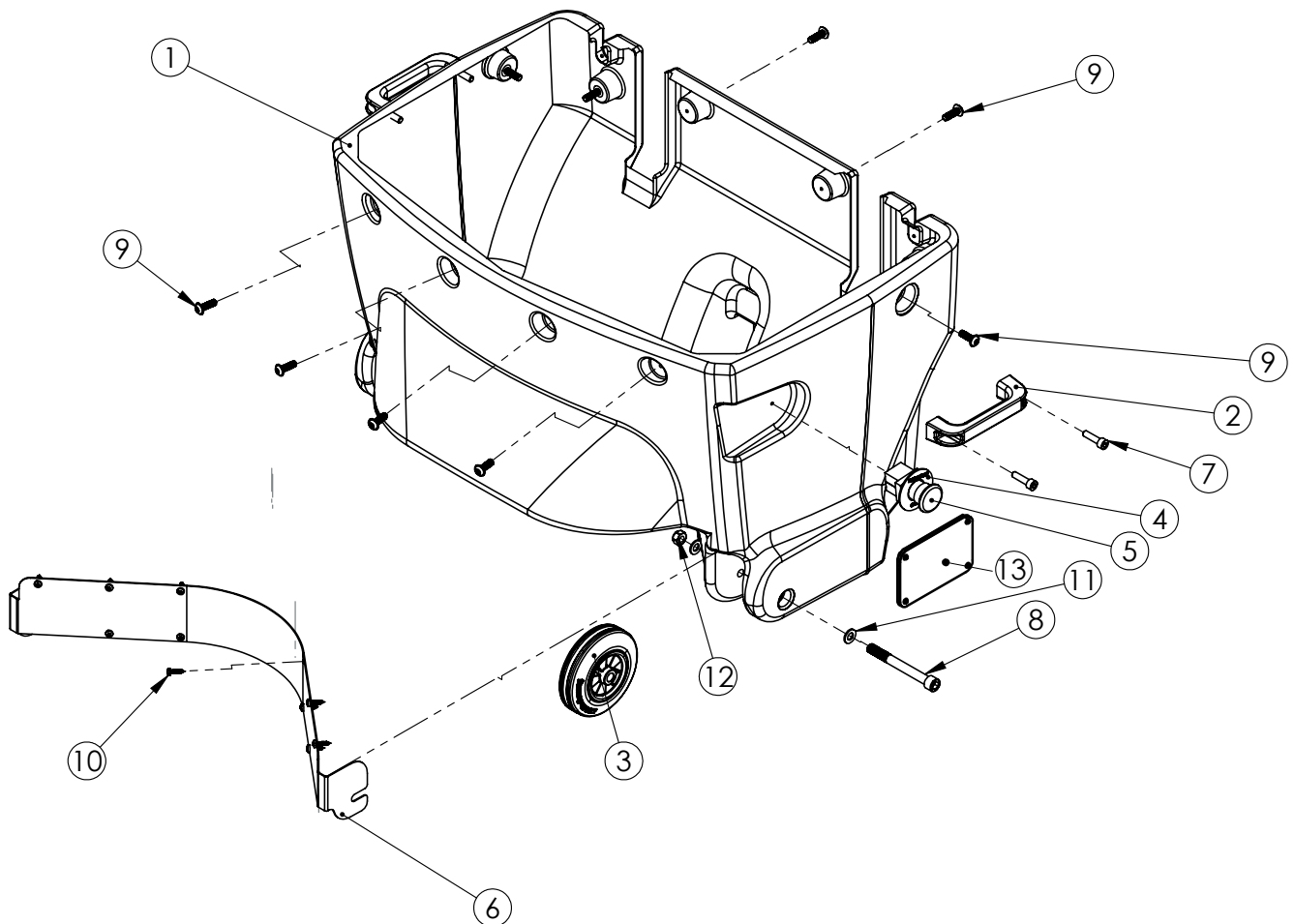
MOUNTING FRAME ASSEMBLY - H27555

Item	Qty	Part no.	Description
1	1	H26925	TG120/200 Mounting frame
2	1	HF10389	DIN 912 M12x25 A4
3	2	HF10379	Hexagon socket head bolt
4	4	HF10480	Washer DIN 125 M12 A4
5	4	HF10479	Washer
6	2	HF10503	Lock nut M10



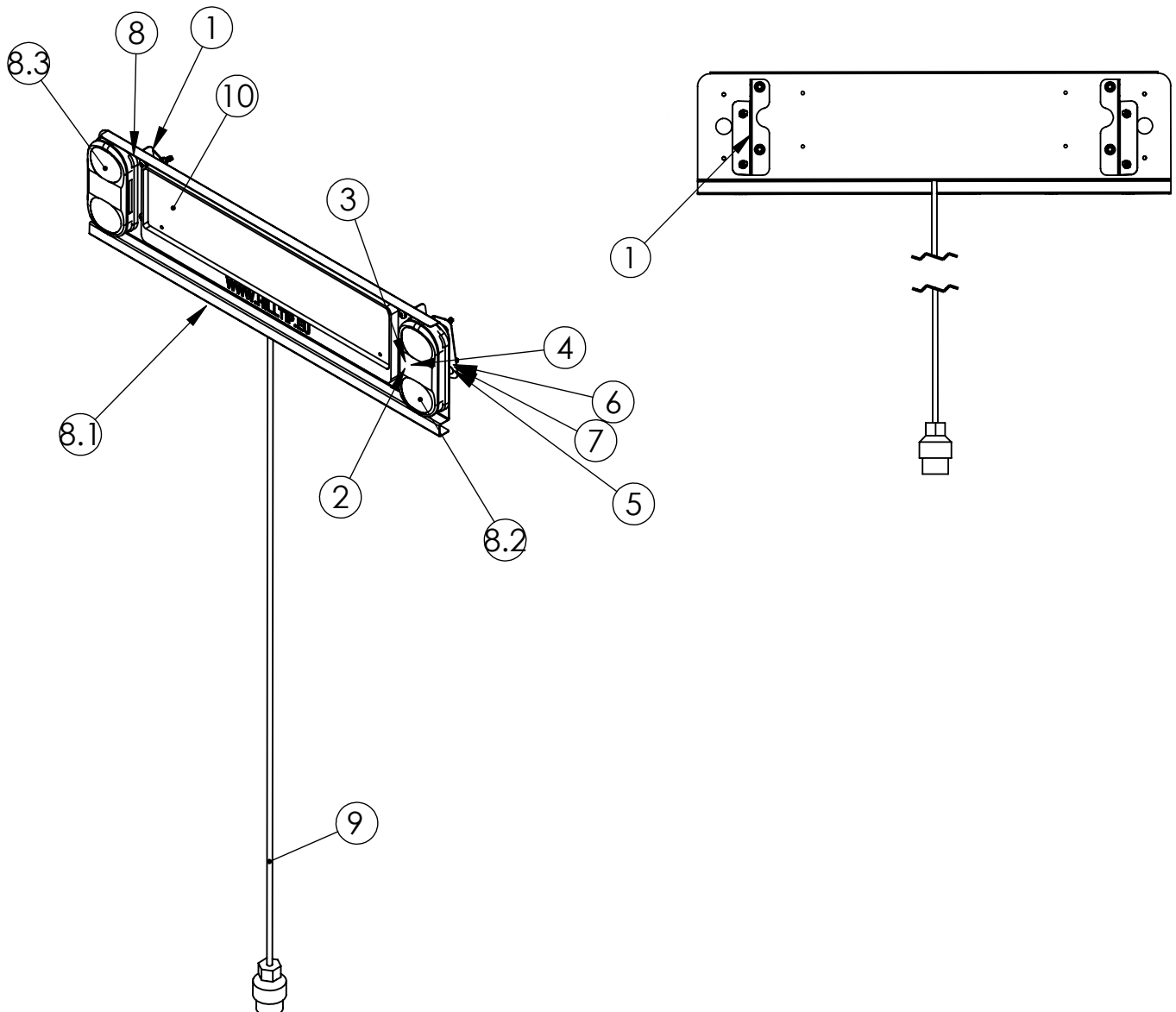
PLASTIC BOTTOM ASSEMBLY - H27556

Item	Qty	Part no.	Description
1	1	H26801	TG lower plastic cover grey
		H26802	TG lower plastic cover orange
2	2	H26949	Handle
3	2	H23175	Wheel ø125/12-45
4	1	H22179	Emergency stop sign
5	1	H22220	Emergency stop button
6	1	H27058	Plate
7	4	HF10460	DIN 912 M8x30 A4
8	2	HF19402	DIN 912 A4 M10x110
9	10	HF19400	ISO 7380-2 M8x25 A4
10	10	HF19403	DIN 7981C STAR A4 4,8x19
11	4	HF10479	Washer
12	2	HF10503	Lock nut M10
13	1	H40322	Inspection lid kit (inform color)



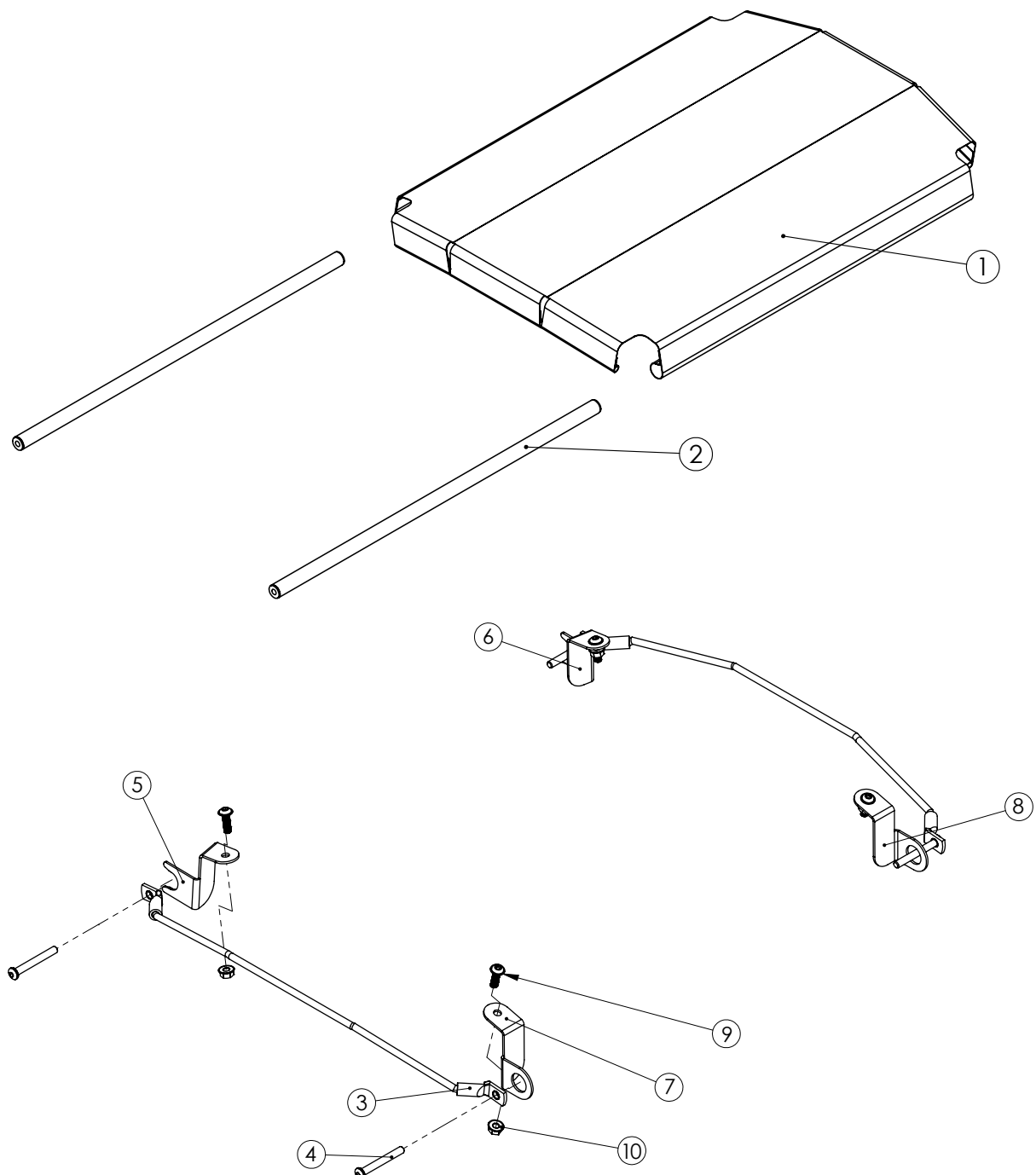
REAR LIGHTS LED & LICENS PLATE KIT- H27237

Item	Qty	Part no.	Description
1	1	H27238	Brackets
2	4	HF19115	Hexagon socket head bolt
3	4	HF10492	DIN 125 A4 M8/8,4
4	4	HF10513	NYLOC-MUTTERI DIN 985 M8 A4-80
5	4	HF10931	DIN 603 A4 M6x25
6	4	HF10512	LOCK NUT M6 A4 DIN985
7	4	HF10491	Washer
8	1	H27733	Rear lights LED & Licens plate TG
8.1	1	H21722	Plate
8.2	1	H22402	LED rear light assembly, Passenger side
8.3	1	H22401	LED rear light assembly, Driver side
9	1	H27239	Led back light harness extra long
10	1	H22247	EU number plate holder



TARP COVER ASSEMBLY - H27341

Item	Qty	Part no.	Description	
1	1	H26947	TG cover	Cover kit H27344
2	2	H26945	TG cover pipe	
3	2	H27335	Wire assembly	Cover fixation kit H27342
4	4	HF19118	Hexagon socket head bolt	
5	1	H26971	Cover bracket right	
6	1	H26970	Cover bracket left	
7	1	H27061	Cover bracket left	
8	1	H27062	Plate	
9	4	HF19400	ISO 7380-2 M8x25 A4	
10	4	HF19342	DIN 6923 M8 A4	



CABLES



H27351
Vehicle side power supply harness



H27352
Spreader side power supply harness



H27353
Spreader side harness

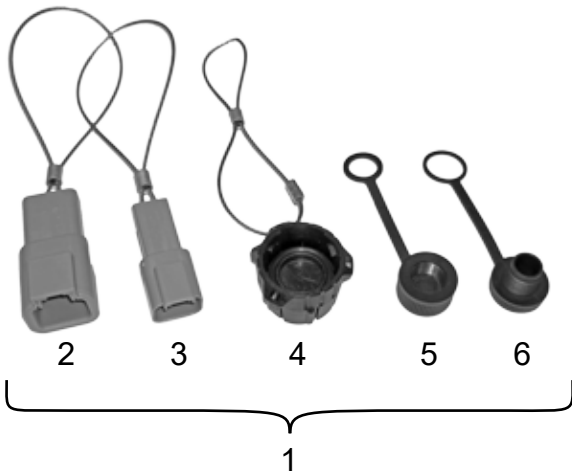
H30189 200A 12V relay

OPTIONAL , Hard-wire control connection

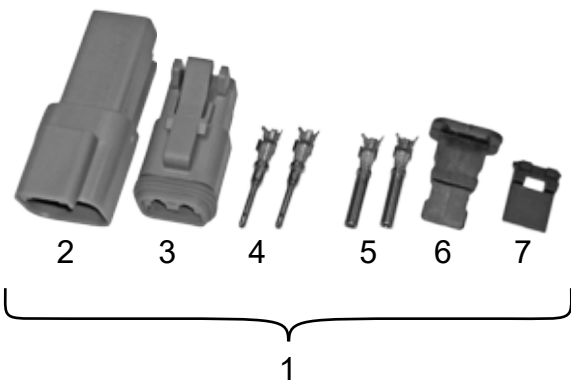
H30250
Vehicle side power supply harness including 8-pin harness (for hard-wire control connection)

H30251
Spreader side power supply harness including 8-pin harness (for hard-wire control connection)

CONNECTORS

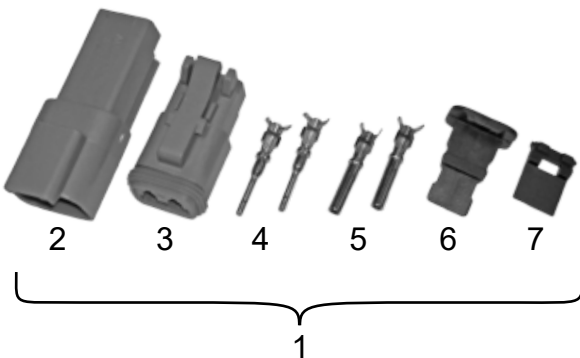


Item	Qty	Part no.	Description
1	1	H23361	Endcap kit
2	1	H22305	Protective cap ATP
3	1	H22304	Protective cap AT
4	1	H23360	Protective sealing cap
5	1	H22168	Sealing Cap female
6	1	H22169	Sealing Cap male



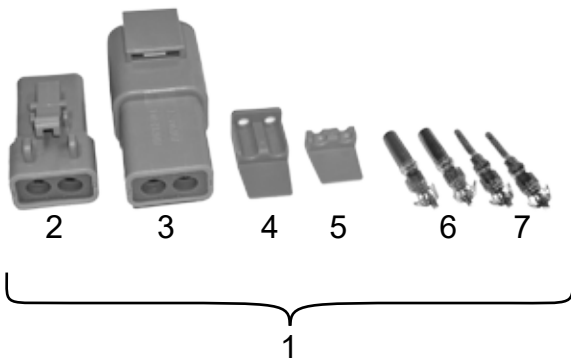
Item	Qty	Part no.	Description
1	1	H23366	DT connector kit 1mm²
2	1	H21879	Receptacle, 2-Way
3	1	H21877	Plug, 2-way
4	2*	H21883	Male Contact - Pin 0,823-1,31mm ²
5	2*	H21881	Female Contact - Socket 0,823-1,31mm ²
6	1	H21878	Wedglock Plug, 2-Way
7	1	H21880	Wedglock Recep., 2-Way

**minimum order quantity: 20 pcs*



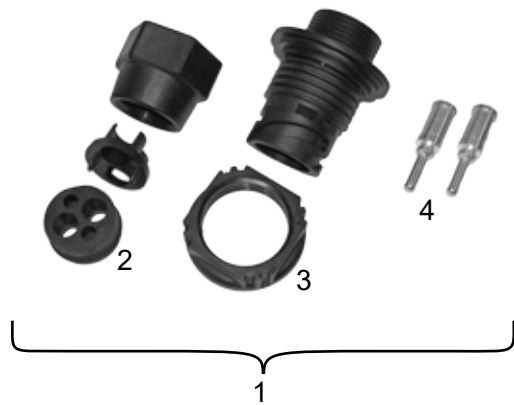
Item	Qty	Part no.	Description
1	1	H23367	DT connector kit 2,5mm²
2	1	H21879	Receptacle, 2-Way
3	1	H21877	Plug, 2-way
4	2*	H21882	Male Contact - Pin 1,31-2,08mm ²
5	2*	H21876	Female Contact - Socket 1,31-2,08mm ²
6	1	H21878	Wedglock Plug, 2-Way
7	1	H21880	Wedglock Recep., 2-Way

**minimum order quantity: 20 pcs*



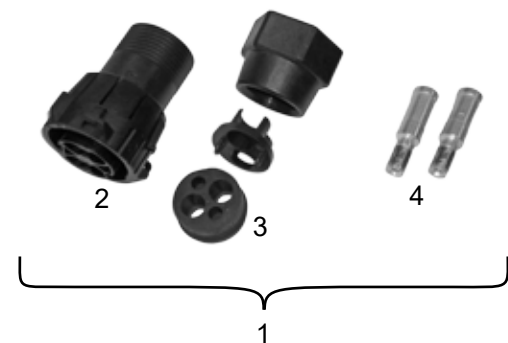
Item	Qty	Part no.	Description
1	1	H23368	DTP Connector kit
2	1	H21888	Plug, 2-way
3	1	H21886	Receptacle, 2-Way
4	1	H21889	Wedgelock Plug, 2-Way
5	1	H21887	Wedgelock Recep., 2-Way
6	2*	H21884	Female Contact - Socket 2,08-3,31mm ²
7	2*	H21885	Male Contact - Pin 2,08-3,31mm ²

**minimum order quantity: 20 pcs*



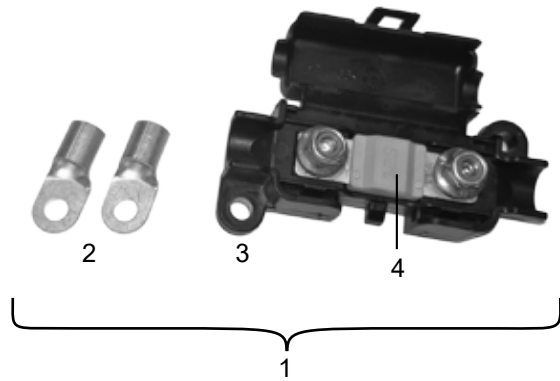
Item	Qty	Part no.	Description
1	1	H23364	Battery cable connector kit - Vehicle side
2	1	H21923	Sealing set
3	1	H21847	Connector housing
4	2*	H21850	Crimp pin

**minimum order quantity: 20 pcs*

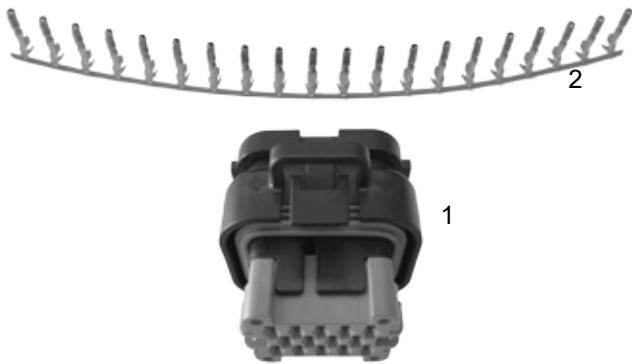


Item	Qty	Part no.	Description
1	1	H23365	Battery cable connector kit - Spreader side
2	1	H21853	Connector housing
3	1	H21923	Sealing set
4	2*	H21851	Crimp pin

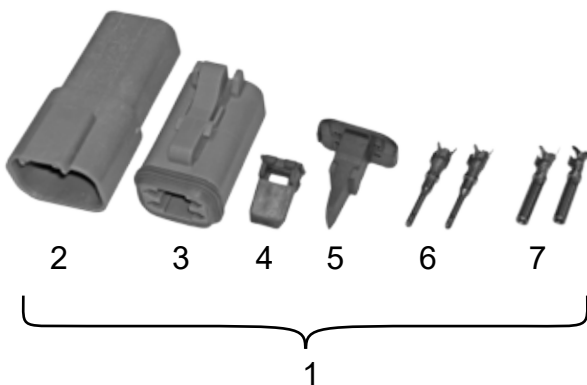
**minimum order quantity: 20 pcs*



Item	Qty	Part no.	Description
1	1	H23371	Fuse holder accessories
2	2	H21933	Connector 5-16mm ²
3	1	H21868	Fuse holder midval
4	1	H21869	Fuse Midval 80A



Item	Qty	Part no.	Description
1	1	H30126	Connector Housing AMPSEAL 14 pin
2	20	H21956	Male Contact - Pins



Item	Qty	Part no.	Description
1	1	H23370	Rear lights connector kit
2	1	H21910	Receptacle, 4-Way
3	1	H21908	Plug, 4-Way
4	1	H21911	Wedgelock Recep., 4-Way
5	1	H21909	Wedgelock Plug, 4-Way
6	2*	H21883	Male Contact - Pin 0,823-1,31mm ²
7	2*	H21881	Female Contact - Socket 0,823-1,31mm ²

**minimum order quantity: 20 pcs*

1



Item	Qty	Part no.	Description
1	1	H23529	Dielectric grease, 50g

1



Item	Qty	Part no.	Description
1	2	H21935	Connector for auger, 8-4 mm ²



Oy HillTip Ab
Pukkisaarentie 6
FIN-68600 Pietarsaari
Finland

+358 50 5983 026
+358 50 3659 415
www.hilltip.com
info@hilltip.com