



PARTS LIST

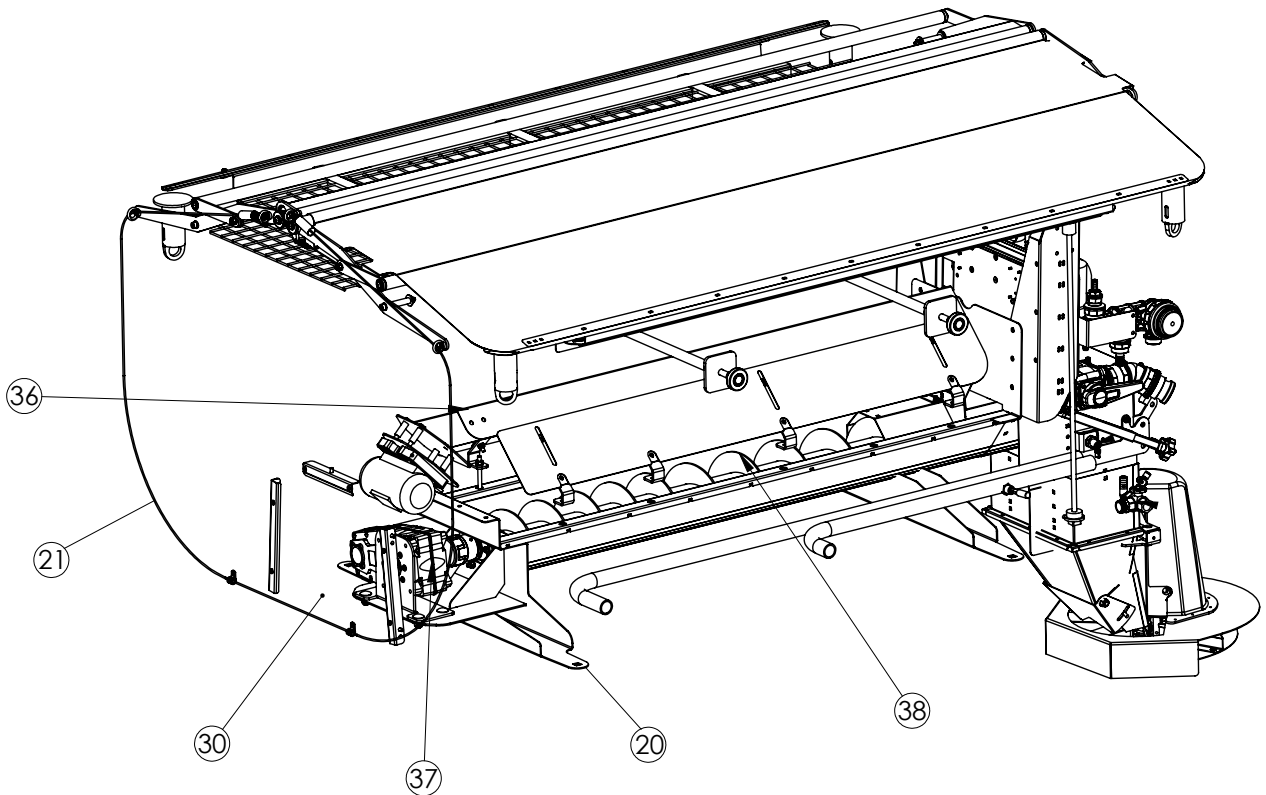
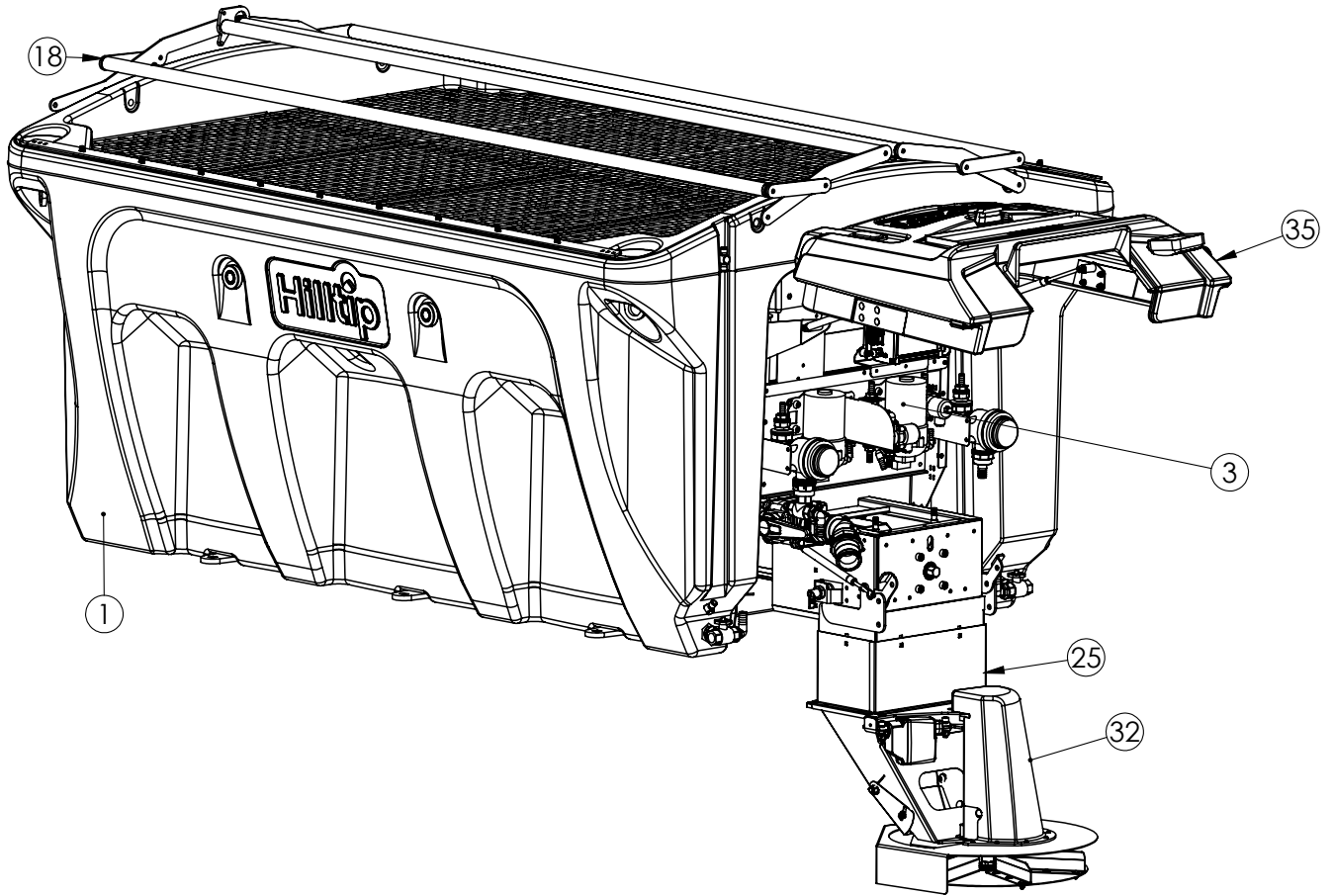
1600-2600 LITER POLY ELECTRIC SPREADER
(US 2100-3400 POLY ELECTRIC SPREADER)

TABLE OF CONTENTS

Spreader assembly.....	3-5
Chute assembly.....	6-9
Spinner assembly.....	10
End of material sensor kit.....	10
Tarp kit.....	11
Wire assembly.....	11
Side extension kit.....	12
Front cover assembly.....	12
Back cover assembly.....	13
LED Rear light kit.....	14
Auger gearbox pre-assembly.....	15
Auger screw pre-assembly.....	16
Auger screw pre-assembly,extended +600 mm.....	17
Auger bottom extension assembly +600 mm.....	17
Conveyor bottom pre-assembly.....	18
Invert-vee assembly.....	19
Pull pipe assembly.....	19
Net assembly.....	20
Spraybar.....	21
Valve pre-assembly.....	22
Breather valve.....	22
Pre-wet valve pre-assembly.....	23
Pump + pre-wet valve.....	23
2-port Selector valve pre-assembly.....	24
Pump+2-port selector valve.....	24
3-port Selector valve pre-assembly.....	25
Pump+3-port selector valve.....	25
Twin Pump+3-port selector valve.....	26
Spraybar valve 1 section pre-assembly.....	27
Valve 3 sections, Hose reel + Pre-wet + Spraybar, pre-assembly.....	28
Filter pre-assembly.....	29
Main fill valve assembly.....	29
Pump assembly.....	30
Hose reel.....	31
Electrical components.....	32
Controller assembly.....	32
Connectors.....	33-37

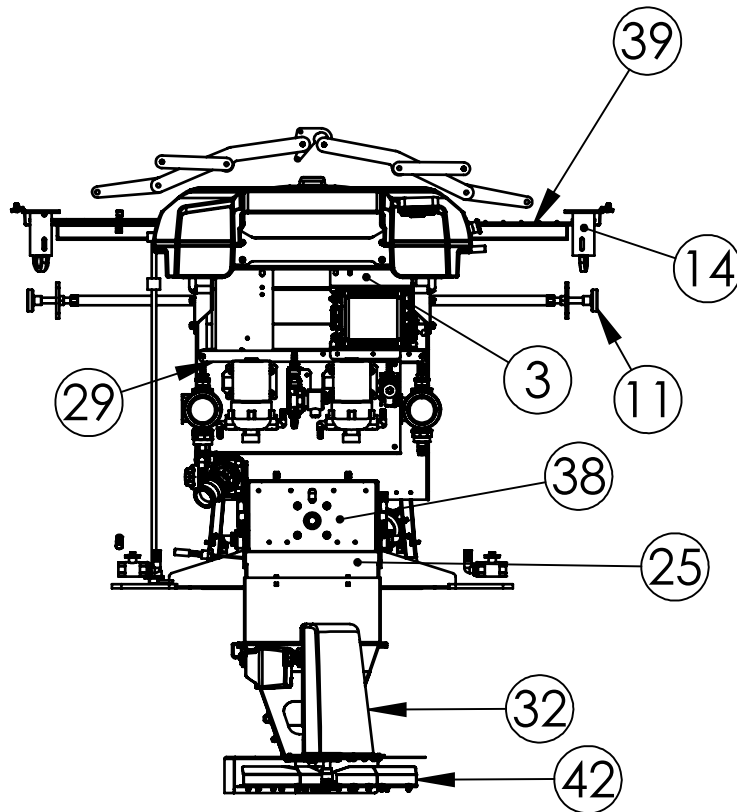
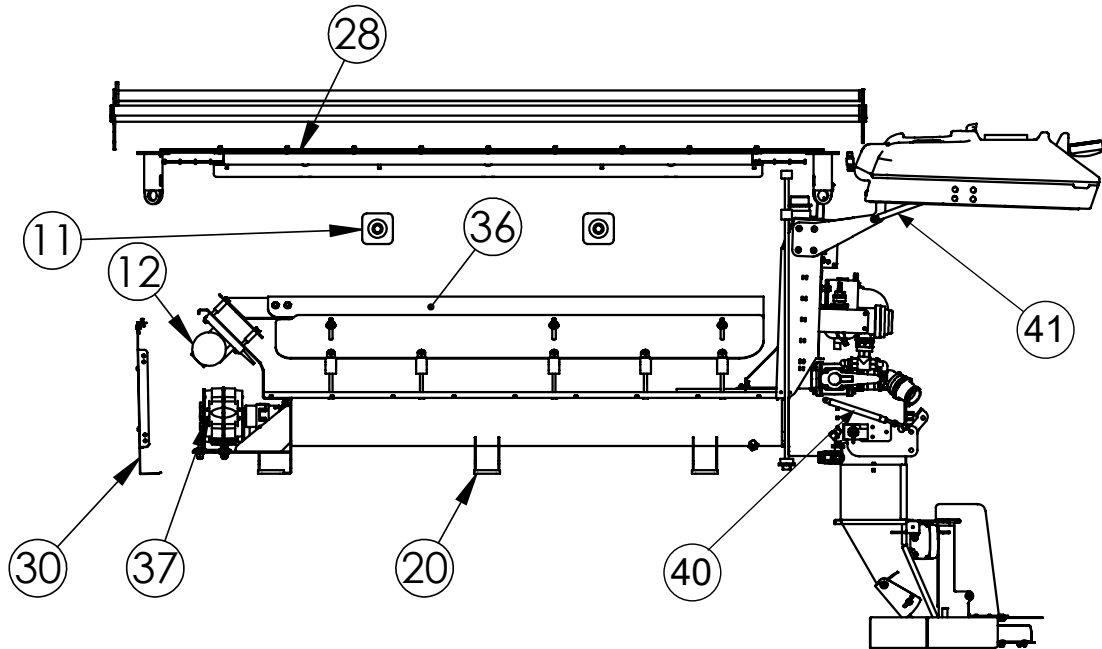
SPREADER ASSEMBLY

SEE PAGE 5 FOR PART LIST



SPREADER ASSEMBLY

SEE PAGE 5 FOR PART LIST



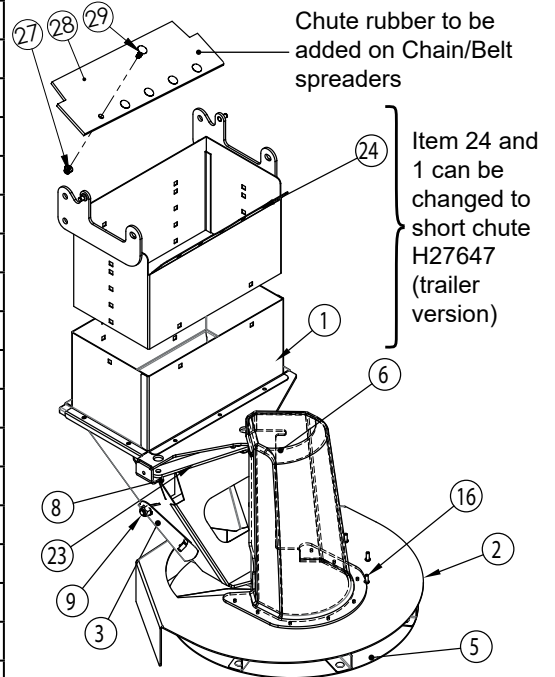
SPREADER ASSEMBLY

<i>Item</i>	<i>Qty</i>	<i>Part no.</i>	<i>Description</i>	
1	1	H26412	Icestriker 1600 bin grey (orange: H26414)	
ns	2	H26730	Index plunger	
3	1	H27482	Pump assembly	
ns	2	H26689	Gas spring	
ns	2	H25839	Nozzle	
ns	2	HH16070	3/4" 3-way valve T-port	
ns	4	H22951	90deg. hose fitting male thread G3/4"-20mm	
10	1	HH16071	3/4" 3-way valve L-port	
11	2	H26440	Pull pipe assembly	<i>See page 19</i>
12.1	1	H30317	Vibrator 12V 200kg	
12.2	1	H30323	Vibrator 24V 200kg	
14	4	H26376	Fastening bracket	
ns	1	H26729	Level indicator	
ns	2	H22645	Level switch	
18	1	H26433	Tarp kit 1600	<i>See page 11</i>
20	1	H26538	Auger bottom 1600	
21	1	H27675	Wire assembly 1600	<i>See page 11</i>
ns	1	H26584	End bracket, Auger bottom 1600	
ns	1	H26564	Bracket right	
ns	1	H26563	Bracket left	
25	1	H26716	Adjustable standard top shute	
ns	1	H26733	Filling assembly 1600	
ns	1	H26804	Bracket	
28	2	H26797	Plate	
29	1	H27046	Bracket	
30	1	H27440	Front cover assembly	<i>See page 12</i>
ns	1	H27088	Hook plate 1600	
32	1	H27379	Chute assembly	<i>See page 6-9</i>
ns	1	H27389	Saltstop kit Icestriker Auger	
35	1	H27420	Back cover assembly	<i>See page 13</i>
36	1	H27305	Invert Vee assembly	<i>See page 19</i>
37	1	H27438	Auger gearbox pre-assembly	<i>See page 15</i>
38	1	H27439	Auger screw pre-assembly	<i>See page 16</i>
	1	H29628	Auger screw pre-assembly Extended +600mm	<i>See page 16</i>
39	1	H27481	Net assembly	<i>See page 20</i>
ns	1	H27891	Extension kit grey 2100 (orange H27879)	<i>See page 12</i>
ns	1	H27892	Extension kit grey 2600 (orange H27880)	<i>See page 12</i>
40	2	H27769	H27769 SS Gas spring assembly 140-650	
41	2	H27768	H27768 SS Gas spring assembly 120-200	
42	1	H43307	Spinner assembly	<i>See page 10</i>

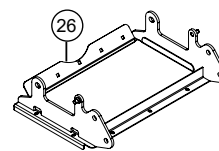
CHUTE ASSEMBLY - H28914

NOTE! Non-current production model from May 2022.

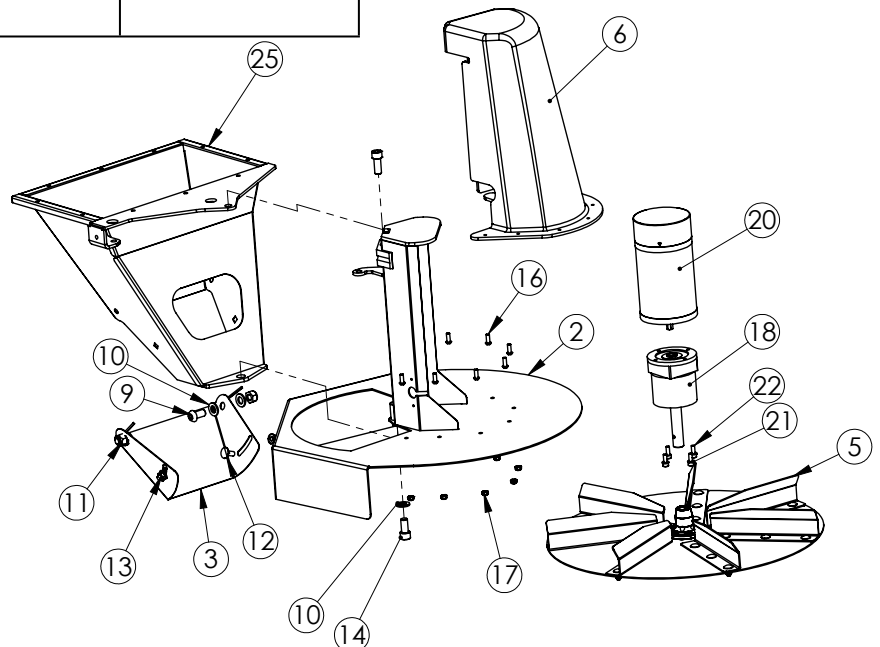
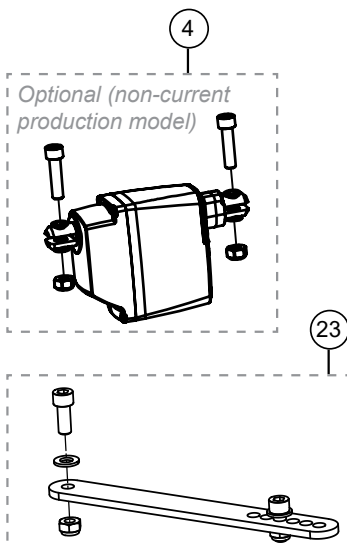
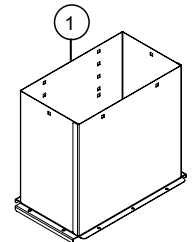
Item	Qty	Part no.	Description	Note
1	1	H26455	Short chute	
	1	H27293	Extended chute	
2	1	H27633	Spinner frame	
3	1	H27638	Chute gate plate	
4.1	1	H26574	Linear actuator 60mm 24VDC	Optional
4.2	1	H27594	Linear actuator 60mm 12VDC	Optional
5	1	H43307	Spinner assembly	See page 10
6	1	H27381	Spinner motor cover	
7	2	HF10382	Hexagon socket head bolt	
8	2	HF10503	Lock nut M10	
9	2	HF19401	ISO 7380 A2 M12x25	
10	5	HF10480	Washer DIN 125 M12 A4	
11	2	HF10504	Nyloc DIN 985 M12 A4	
12	2	HF10935	Lockbolt M8x20 A4 ISO 8677	
13	2	HF19342	DIN 6923 M8 A4	
14	1	HF10389	DIN 912 M12x25 A4	
15	1	HF10390	DIN 912 M12x30 A4	
16	8	HF19123	ISO 7380 A4 M6x16	
17	8	HF10512	LOCK NUT M6 A4 DIN985	
18	1	H22732	Gearbox	
20.1	1	H30255	Electrical motor 12V	
20.2	1	H27761	Electrical motor 24V	
21	4	HF10501	Washer M6 A4 DIN 127	
22	4	HF10438	In Hex Bolt M6x16 DIN 4762 A4	
23	1	H28047	Angle adjuster Kit	
24	1	H26716	Adjustable standard top chute	
25	1	H27625	Lower chute	
26	1	H27647	Short chute (trailer version)	
27	5	HF15375	Locknut DIN 6926 8.8Zn M6	
28	1	H40925	Chute rubber 110 x 350 x 5	Chain/Belt spreaders
29	5	HF10930	DIN 603 A4 M6x20	



Short chute (Trailer version)



Extended chute



CHUTE ASSEMBLY - H41450

NOTE! Current production model from May 2022. Serial number: XXXXX.20220518.010573 →

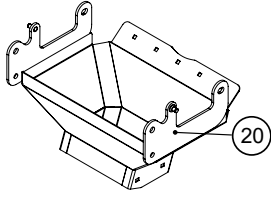
Item	Qty	Part no.	Description	Note
1	1	H41310	Lower chute welded	Non-current production model.
	1	H42225	Lower chute welded	Current production model. Serial no: XXXXX.20230522.013421 →
2	1	H41247	Spinner cover	Non-current production model.
	1	H42227	Spinner cover	Current production model. Serial no: XXXXX.20230522.013421 →
3	1	H41470	Spinner motor cover	
4	1	H41411	Plate	
5.1	1	H41365	Top standard chute	
5.2	1	H41509	Extended chute +25 cm	
5.3	1	H41664	Extended chute +55 cm	
6	1	H41412	Chute bracket	Non-current production model.
	1	H42229	Chute bracket	Current production model. Serial no: XXXXX.20230522.013421 →
7	1	H26949	Handle	
8	1	H41376	Adjuster plate	
9	1	H43307	Spinner assembly	See page 10
10	1	H41318	Gearbox plastic spacer	
11	1	H22732	Gearbox	
12	1	H30255	Electrical motor 12V	
	1	H27761	Electrical motor 24V	
13	1	H21756	Bush	
14	1	H29434	Adjuster arm	Non-current production model.
	1	H42236	Adjuster arm	Current production model. Serial no: XXXXX.20230522.013421 →
15	4	H41302	Friction plug	
16	1	H41384	Distance 5mm	
17	1	H40925	Chute rubber	For chain spreaders
18	5	HF10930	DIN 603 A4 M6x20	
19	5	HF19385	Locknut DIN 6926 A4 M6	
20	1	H41480	Trailer top chute part	
21	1	H41513	Chute adapter Kit	Needed for modular spreaders with H28324 chute model
21.1	2	H26730	Index plunger	
21.2	2	H41471	Distance plate	
21.3	1	H41406	Chute bracket right	
21.4	1	H41408	Chute bracket left	
21.5	6	HF10459	DIN 912 M8x25 A4	
21.6	4	HF10458	DIN 912 A4 M8x20	
21.7	10	HF10513	Nylock nut DIN 985 M8 A4-80	
22	1	H42232	Bracket	Current production model. Serial no: XXXXX.20230522.013421 →
23	1	H43544	Cover plate for chute +25 cm	
24	1	H43545	Cover plate for chute +55 cm	

See chute assembly drawing on next page →

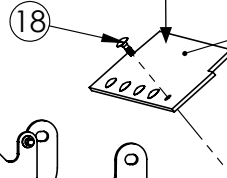
CHUTE ASSEMBLY - H41450

NOTE! Current production model from May 2022. Serial number: XXXXX.20220518.010573 →

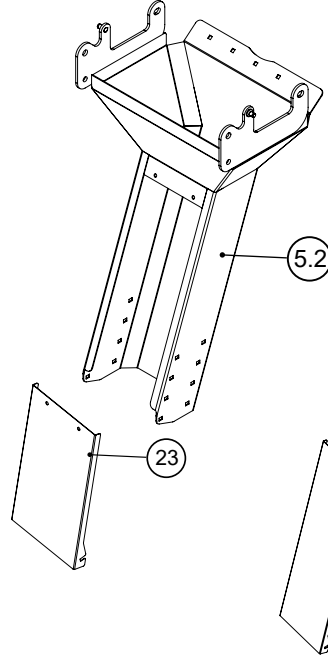
Trailer top chute part



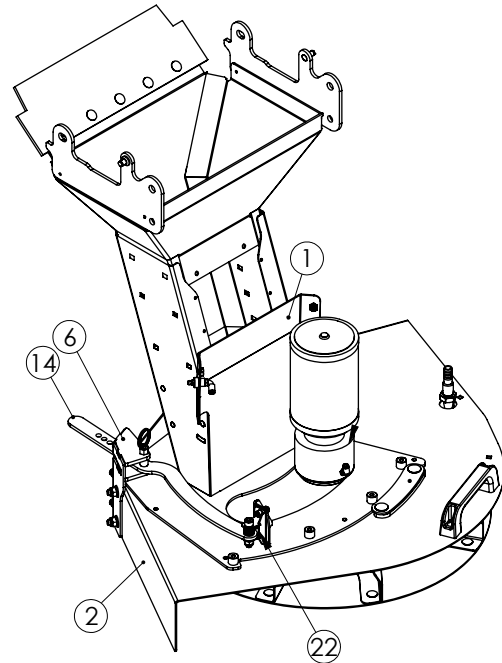
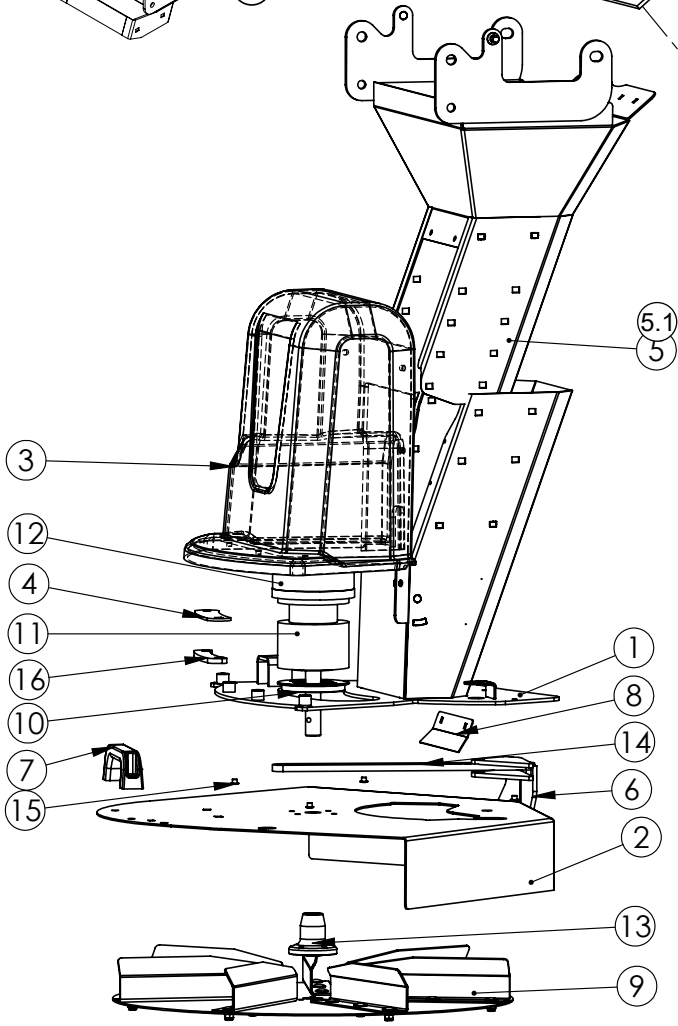
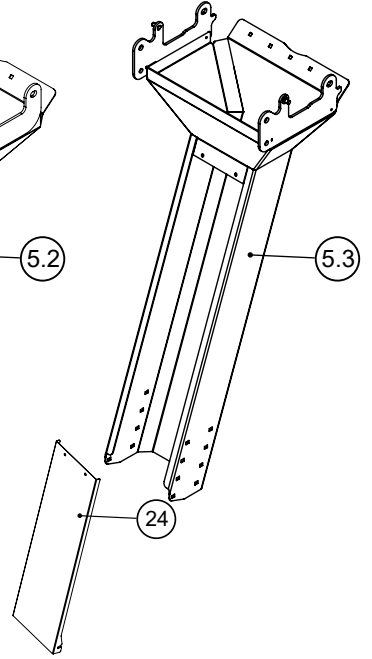
Chute rubber needed for chain spreaders



Extended chute +25cm

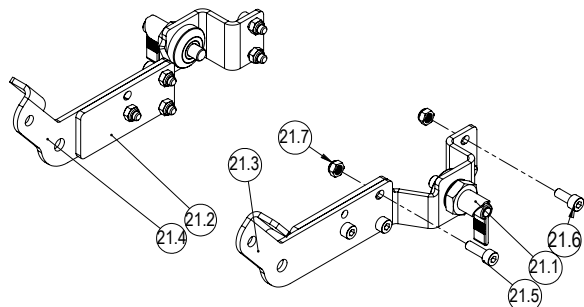


Extended chute +55cm



NOTE! Chute adapter kit H41513 needed for AM spreaders with non-current chute model H28324 to fit the current chute model H41450.

Applies to AM spreaders produced before June 2022. Serial number: → XXXXX.20220603.010663



CHUTE ASSEMBLY WITH OPTIONS - H41450

Item	Qty	Part no.	Description	Note
1	1	H27706	EOM Sensor kit	Optional, see page 10
2	2	HF10929	Lockbolt DIN603 M6x16 A4	
3	2	HF10512	Lock nut M6 A4 DIN985	
4	2	HF10501	Washer M6 A4 DIN 127	
5	1	-	13 mm hose	
6	1	-	13 mm hose	
7	1	-	13 mm hose	
8	1	H22601	Camlock 1/2" female	
9	1	H22954	Straight hose fitting G 1/2-13	
10	1	H22602	Camlock 1/2" Hose ø13	
11	2	H22934	Camlock E 3/4" Hose ø19	
12	2	H22935	Camlock D 3/4" G3/4	
13	2	-	19 mm hose	
14	2	H24599	Straight hose fitting G3/4-20	
15	1	H24582	Spraybar - Brine spreader	Optional, see page 21
16	1	H41369	Spraybar bracket kit	Optional
17	1	H41368	Tee connector	
18	1	H41450	Chute assembly	
19	1	H25839	Nozzle	
20	1	H41373	PW Bracket	
21	1	H41410	QD nozzle 6mm	
22	1	H40225	Locking pin	
23	1	H28829	Linch pin SS 4,5mm	
24	1	H29860	Linear actuator 85 mm 12V (optional)	Non-Current production model. Serial number: → XXXXX.20230522.013420
	1	H30494	Linear actuator 85 mm 24V (optional)	Non-Current production model. Serial number: → XXXXX.20230522.013420
	1	H30664	Linear actuator with potentiometer 100 mm, 12V (optional)	Current production model. Serial number: XXXXX.20230522.013421 →
	1	H30665	Linear actuator with potentiometer 100 mm, 24V (optional)	Current production model, Serial number: XXXXX.20230522.013421 →

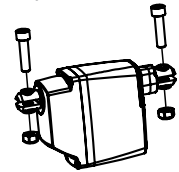
NOTE! Current production model from May 2022.

Serial number:
 XXXXX.20220518.010573
 →

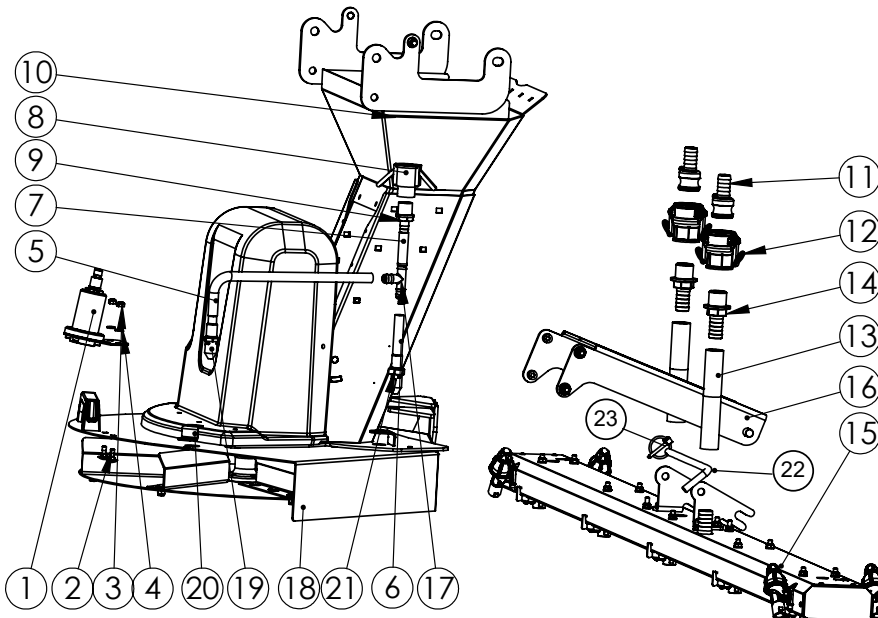
24

Optional

Linear actuator (non-current production model)



Linear actuator with potentiometer (current production model from May 2023)



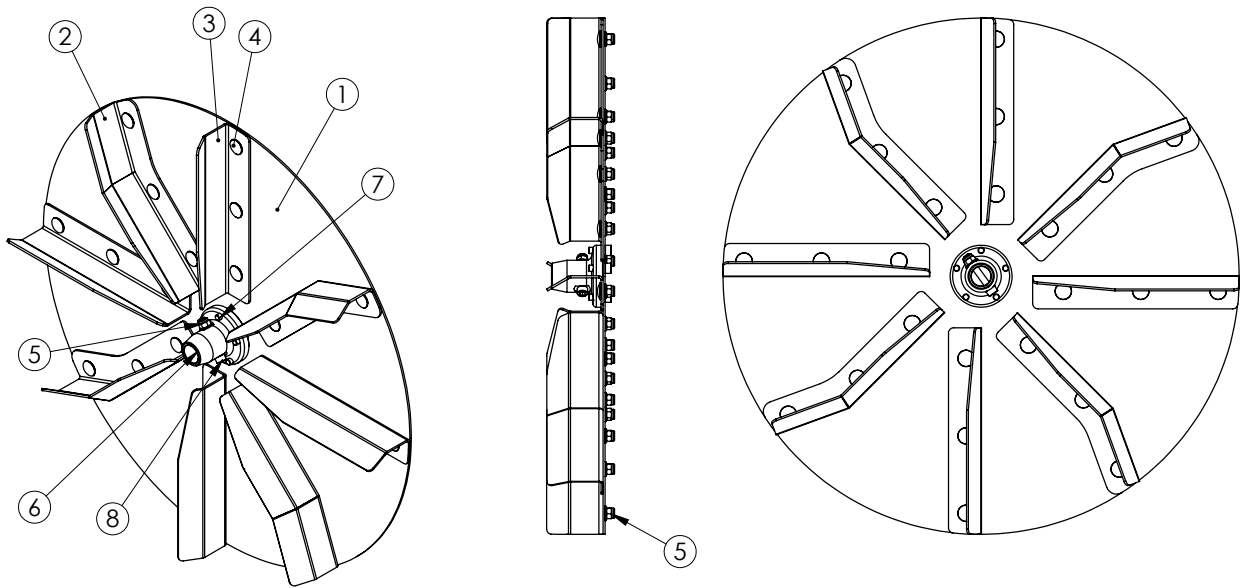
NOTE! The linear actuator H29860/ H30494 was replaced with a linear actuator with potentiometer (H30664/ H30665) in May 2023.

If you have a chute produced between May 2022 and May 2023 (serial no. between XXXXX.20220518.010573 - XXXXX.20230522.013420) the following chute parts need to be replaced/added for the "Linear actuator with potentiometer" (H30664/H30665) to fit:

May 2022-23	From May 2023 →
H41310 →	H42229
H41247 →	H42227
H29434 →	H42236
H41412 →	H42229
	H42232

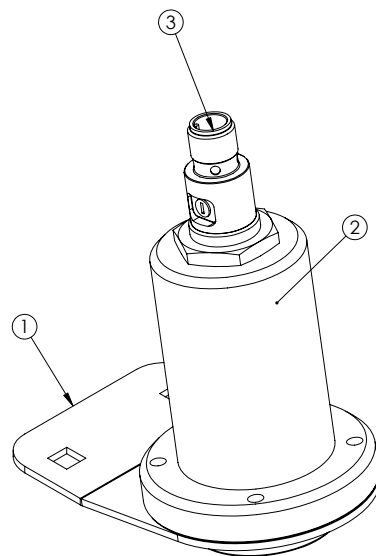
SPINNER ASSEMBLY - H43307

Item	Qty	Part no.	Description	Notes
1	1	H42171	Plate	
2	4	H42172	Wing	
3	4	H26448	Plate	
4	24	HF19113	Lockbolt M6x12 A4	
5	25	HF19385	Locknut DIN 6926 A4 M6	
6	1	H21756	Bush	Not included in the spinner pre assembly H42170
7	5	HF10438	In Hex Bolt M6x16 DIN 4762 A4	
8	1	HF10443	M6x40 DIN 4762 A4	



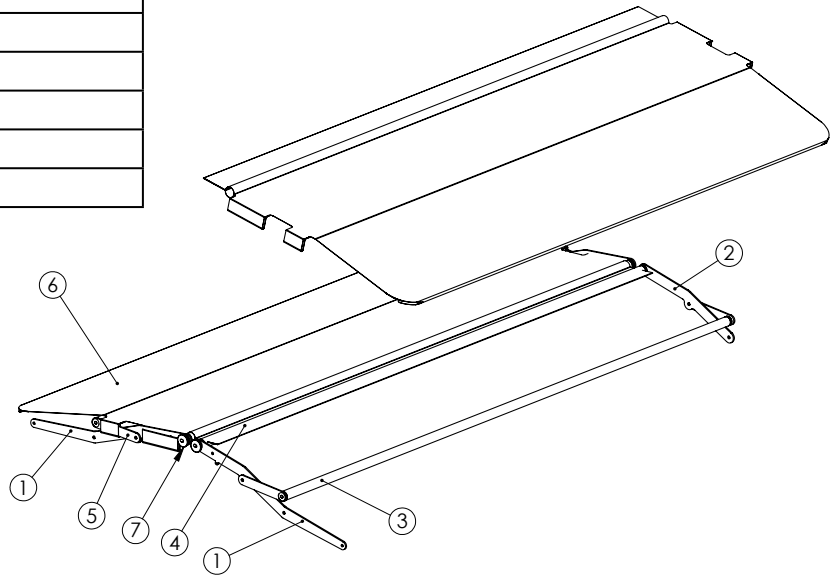
END OF MATERIAL SENSOR KIT, OPTIONAL - H27706

Item	Qty	Part no.	Description
1	1	H28019	Sensor bracket
2	1	H28020	Sensor cover
3	1	H28017	EOM sensor
ns	1	H30237	EOM sensor cable



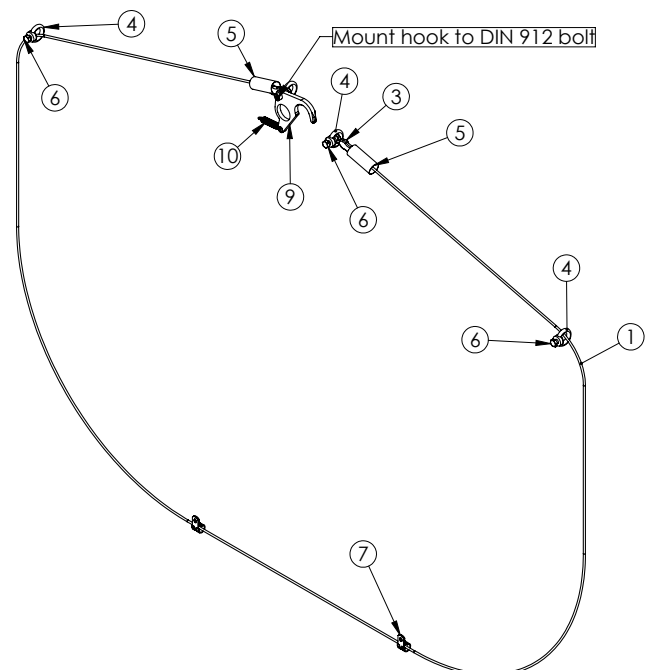
TARP KIT - H26433

Item	Qty	Part no.	Description
1	2	H26435	Plate
2	2	H27012	Plate
3	2	H27198	Tarp pipe
4	2	H26437	Tarp pipe
5	4	H26436	Plate
6.1	2	H26725	Tarp for 1600
6.2	2	H26434	Tarp for 2100-2600
7	2	H27271	Bush



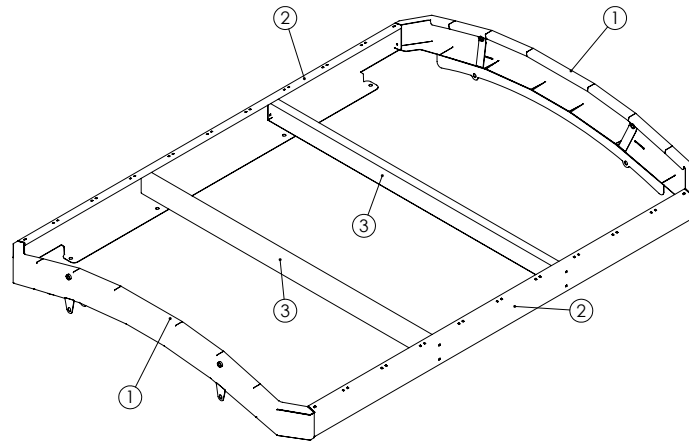
WIRE ASSEMBLY - H27675

Item	Qty	Part no.	Description
1	1	H27679	Wire 4/3--4200mm
2	2	H27677	Wire rope thimble A4 4mm
3	2	H27678	Duplex wire rope clip A4 4mm
4	4	H27685	Lifting eye nut DIN582 A4 M8
5	2	H27686	Heat crimp hose 24/8-60mm
6	3	HF19348	Bolt M8x14 DIN933 A4
7	2	H25840	Pipe holder
8	1	HF10457	DIN 912 M8x16 A4
9	1	H27088	Hook plate 1600
10	1	H27674	Extension spring SS 1,5x12x50



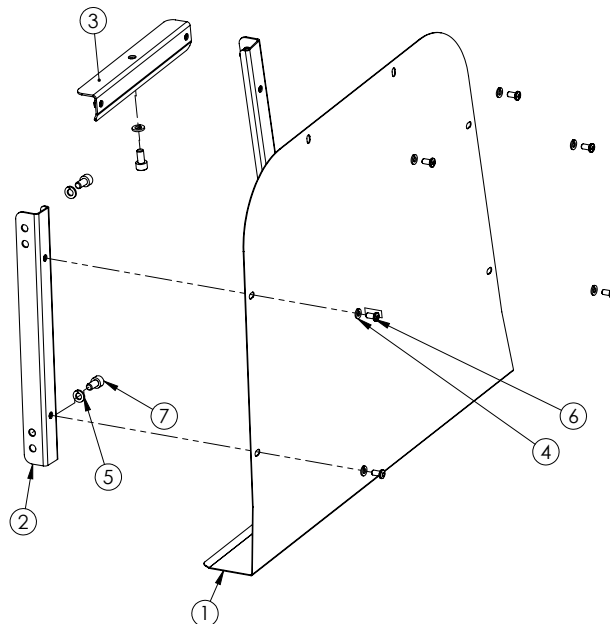
SIDE EXTENSION KIT 2100 - H27165 2600 - H27892

Item	Qty	Part no.	Description
1.1	2	H27881	2100 End extension
1.2	2	H27883	2600 End extension
2.1	2	H27882	2100 Side extension
2.2	2	H27884	2600 Side extension
3	2	H27885	2100/2600 cross bracket



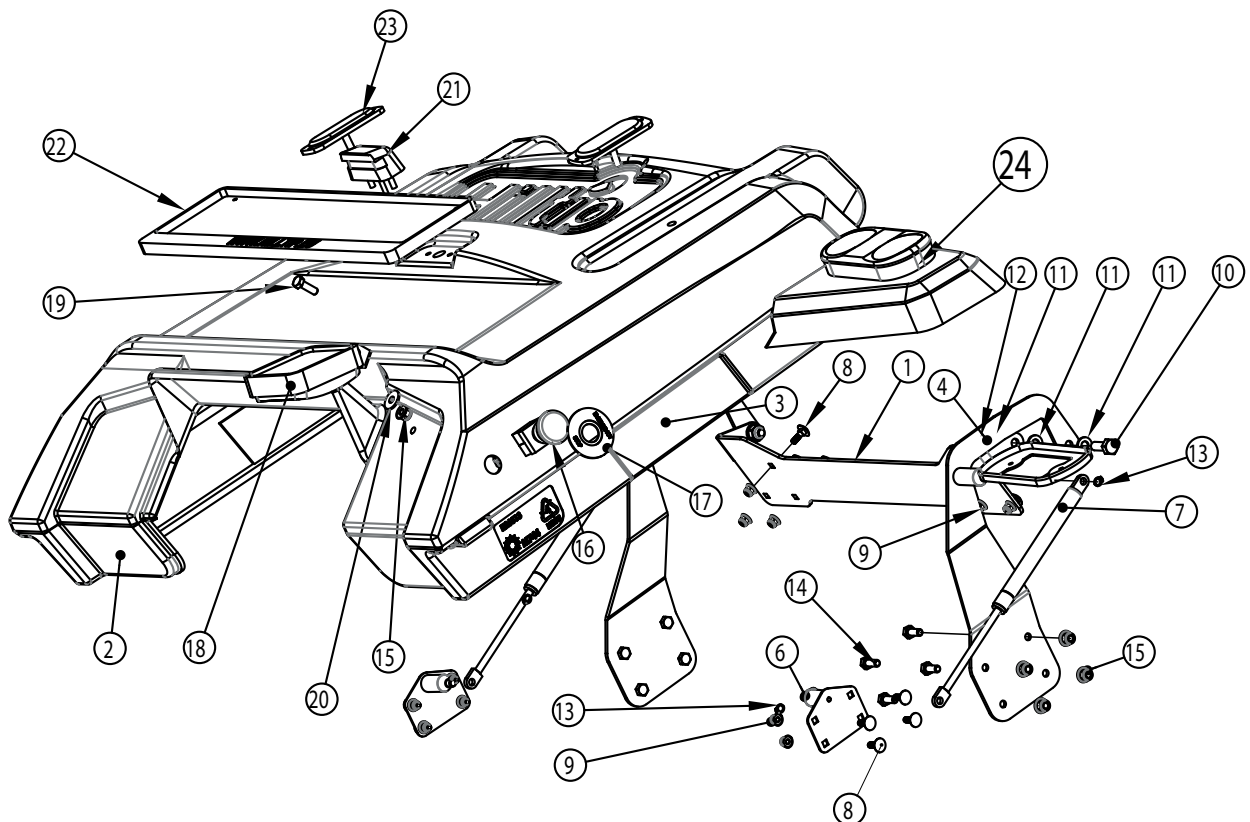
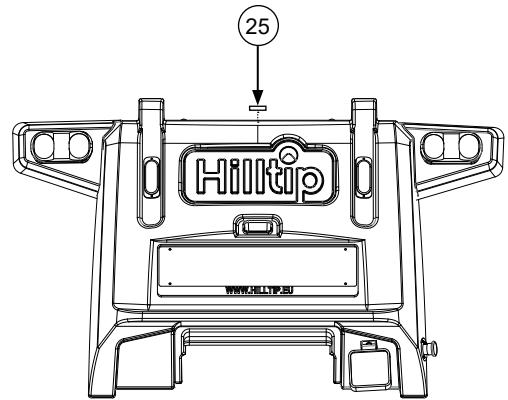
FRONT COVER ASSEMBLY - H27440

Item	Qty	Part no.	Description
1	1	H27087	Plate
2	2	H27054	Bracket
3	1	H27056	Bracket
4	6	HF10501	WasherM6 A4 DIN 127
5	5	HF10502	DIN 127 A4 M8
6	6	HF19122	Hexagon socket head bolt
7	5	HF10457	DIN 912 M8x16 A4



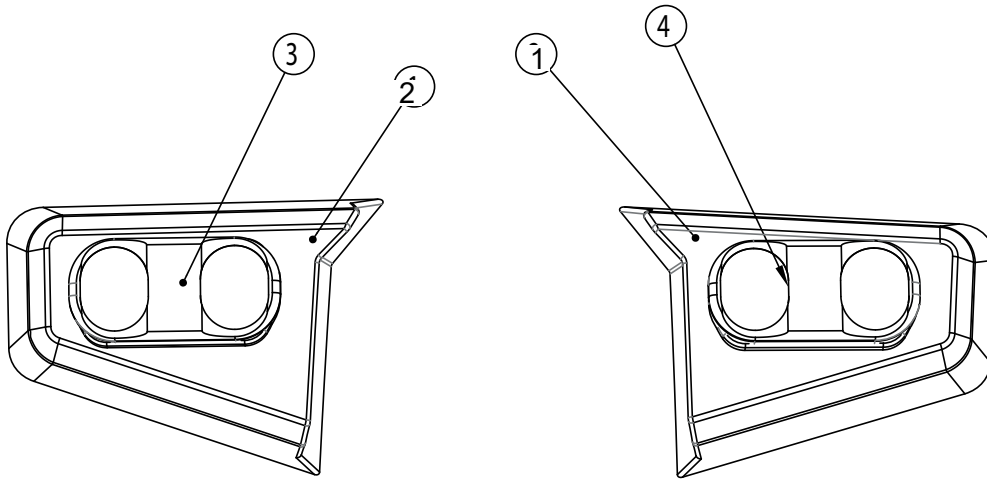
BACK COVER ASSEMBLY - H27420

Item	Qty	Part no.	Description
1	1	H26408	Left hinge
2	1	H26513	Rear hatch
3	1	H26805	Hinge bracket left
4	1	H26806	Hinge bracket right
6	1	H26814	Bracket pair
7	2	H27768	Gas spring 120-250N
8	14	HF10930	DIN 603 A4 M6x20
9	14	HF19385	Locknut DIN 6926 A4 M6
10	2	HF10674	Hex Bolt M10x30
11	6	HF10479	Washer
12	2	HF10503	Lock nut M10
13	4	HF19404	Axle circlip DIN 471 A2 8x0,8
14	8	HF10743	Hex Bolt M8x20
15	9	HF19405	Flange nyloc A4 M8
16	1	H22220	Emergency stop button
17	1	H27644	Emergency stop protective cover
18.1	1	H26681	LED Work light (WHITE)
18.2	1	H21864	LED Work light (RED)
19	1	HF10744	Hex Bolt M8x25
20	1	HF10533	Washer DIN 9021 M8 A4
21	1	H27377	LED Licence plate light
22	1	H22247	License plate holder plastic
23	2	H27378	LED Strobe warning light yellow
24	1	H26680	LED Rear light kit (see page 11)
25	1	H22098	GPS antenna



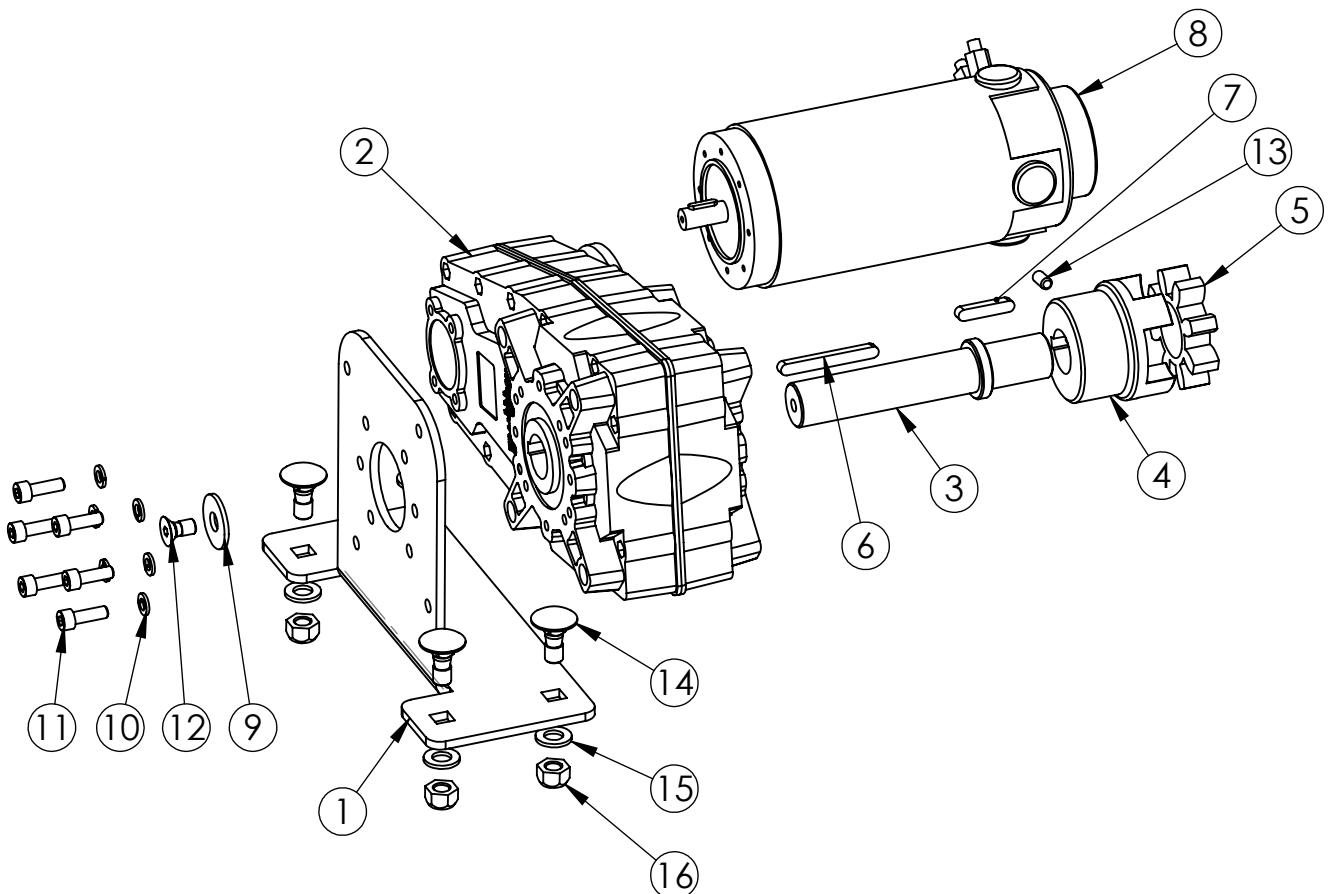
LED REAR LIGHT KIT - H26680 (OPTIONAL)

Item	Qty	Part no.	Description
1	1	H28362	Rear light holder right
2	1	H28361	Rear light holder left
3	1	H22401	LED rear light pre-assembly with number light
4	1	H22402	LED rear light pre-assembly



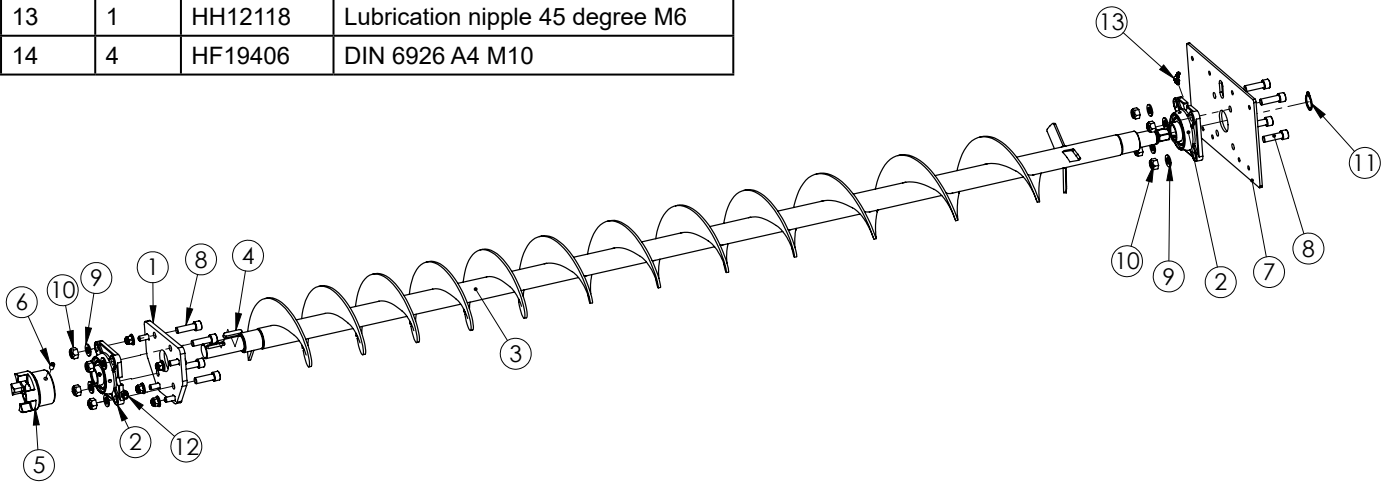
AUGER GEARBOX PRE-ASSEMBLY - H27438

Item	Qty	Part no.	Description
1	1	H26582	Bracket
2	1	H26726	Auger gearbox 1600
3	1	H26636	Auger gearbox axle
4	1	H26722	Axle coupling half
5	1	H26721	Axle coupling flex element
6	1	H27449	Parallel key 8x7x70
7	1	H27448	Parallel key 8x7x40
8.1	1	H26727	Auger motor 1600, 12V with encoder
8.2	1	H30322	Auger motor 1600, 24V with encoder
9	1	HF10527	Washer DIN 9021 A4 M12
10	6	HF10502	DIN 127B M8 A4
11	6	HF10459	DIN 912 M8x25 A4
12	1	HF10876	DIN 7991 A4 M10x20
13	1	HF14323	Set screw DIN 913 M8x16
14	4	HF19407	DIN 603 A4 M12x30
15	4	HF10480	Washer DIN 125 M12 A4
16	4	HF10504	Nyloc DIN 985 M12 A4



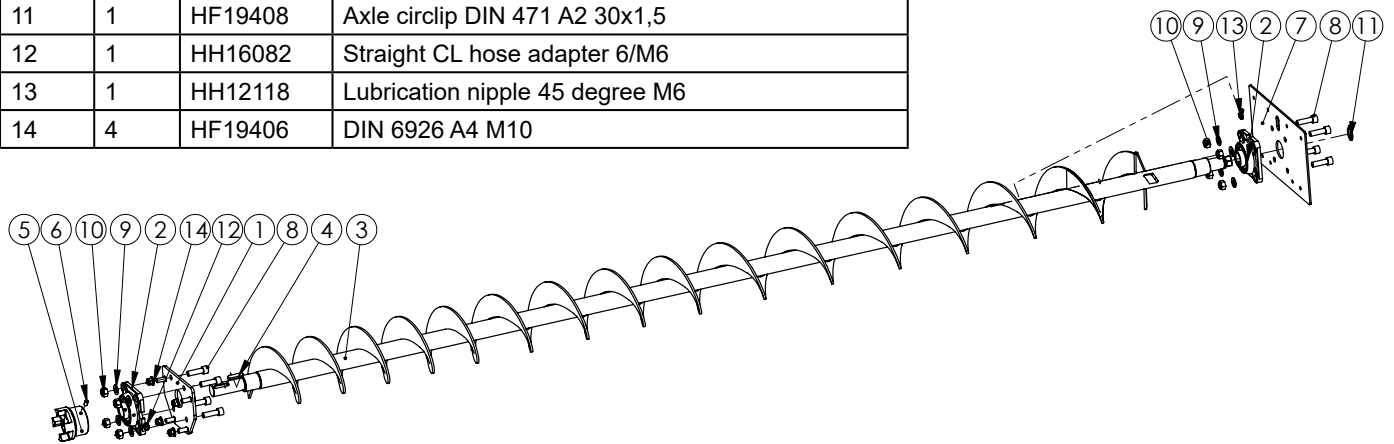
AUGER SCREW PRE-ASSEMBLY - H27439

Item	Qty	Part no.	Description
1	1	H27011	Bearing bracket
2	2	H26719	Flange bearing stainless UCF 206
3	1	H26494	Auger screw 1600 normal length
4	1	H27448	Parallel key 8x7x40
5	1	H26722	Axle coupling half
6	1	HF14323	Set screw DIN 913 M8x16
7	1	H27009	Plate
8	8	HF10392	DIN 912 A4 M12x40
9	8	HF10480	Washer DIN 125 M12 A4
10	8	HF10504	Nyloc DIN 985 M12 A4
11	1	HF19408	Axle circlip DIN 471 A2 30x1,5
12	1	HH16082	Straight CL hose adapter 6/M6
13	1	HH12118	Lubrication nipple 45 degree M6
14	4	HF19406	DIN 6926 A4 M10



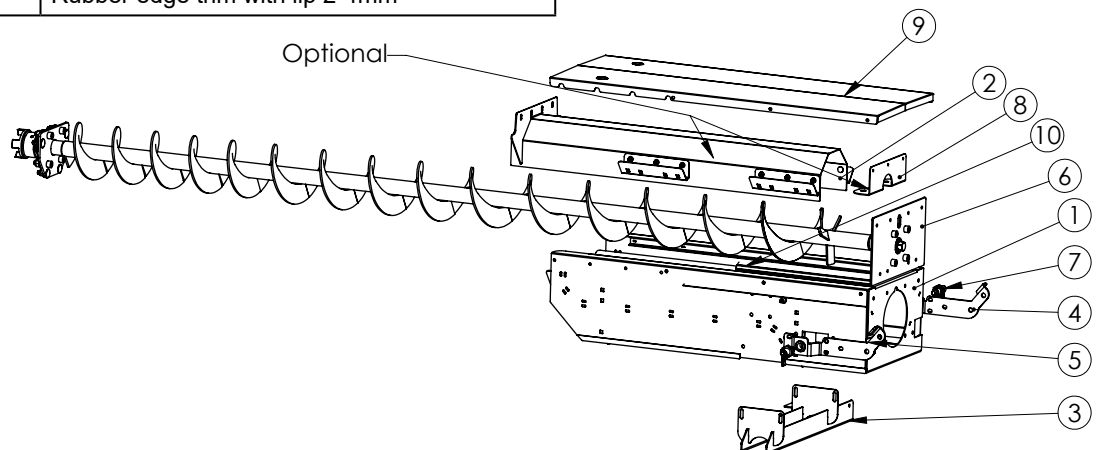
AUGER SCREW PRE-ASSEMBLY EXTENDED +600mm - H29628

Item	Qty	Part no.	Description
1	1	H27011	Bearing bracket
2	2	H26719	Flange bearing stainless UCF 206
3	1	H27162	Auger screw 1600 + 600 mm
4	1	H27448	Parallel key 8x7x40 Parallel key 8x7x40 stainless
5	1	H26722	Axle coupling half
6	1	HF14323	Set screw DIN 913 M8x16 Set screw
7	1	H27009	Plate
8	8	HF10392	DIN 912 A4 M12x40
9	8	HF10480	Washer DIN 125 M12 A4
10	8	HF10504	Nyloc DIN 985 M12 A4
11	1	HF19408	Axle circlip DIN 471 A2 30x1,5
12	1	HH16082	Straight CL hose adapter 6/M6
13	1	HH12118	Lubrication nipple 45 degree M6
14	4	HF19406	DIN 6926 A4 M10



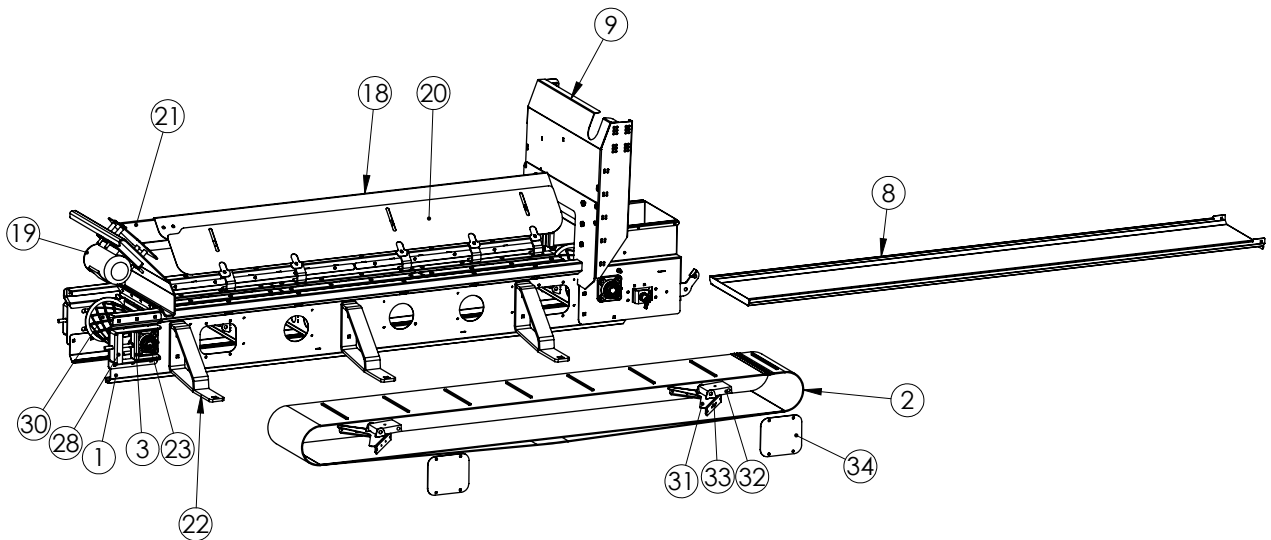
AUGER BOTTOM EXTENSION ASSEMBLY +600mm - H29824

Item	Qty	Part no.	Description
1	1	H27150	Auger bottom extension + 600 mm
2	1	H28044	Saltstop kit long, Icestriker 1600 Auger
3	1	H27159	Bracket
4	1	H26564	Bracket right
5	1	H26563	Bracket left
6	1	H29628	Auger screw pre-assembly Extended +600mm
7	2	H26730	Index plunger
8	1	H27164	Bracket
9	1	H27156	Plate
10	2	H28821	Rubber edge trim with lip 2-4mm

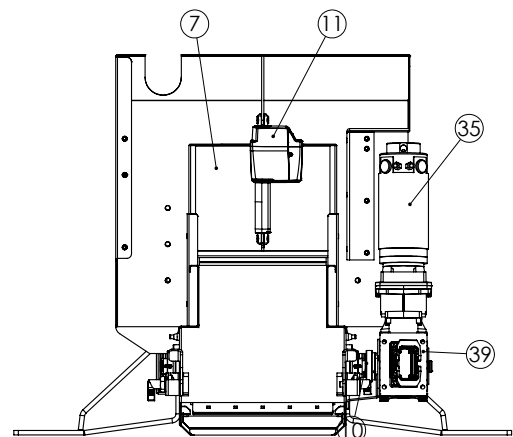


CONVEYOR BOTTOM PRE-ASSEMBLY

Item	Qty	Part no.	Description
1	1	H26343	Spreader bottom base
2	1	H26315	Conveyor 1920
3	2	H26358	Bracket
8	1	H26364	Bottom plate
9	1	H26400	Rear spreader wall (conveyor)
18	1	H26370	Plate
19	1	H26577	Vibrator 12V 200kg
20	2	H26371	Plate
21	1	H26372	Bracket
22	6	H26410	Bracket
23	1	H26367	Roller axle
28	1	H26826	Slide bracket left
30	2	H27186	Roller
31	2	H27230	Conveyor scraper
32	2	H27276	Plastic follower
33	2	H27277	Conveyor scraper rubber
34	4	H27310	Plate



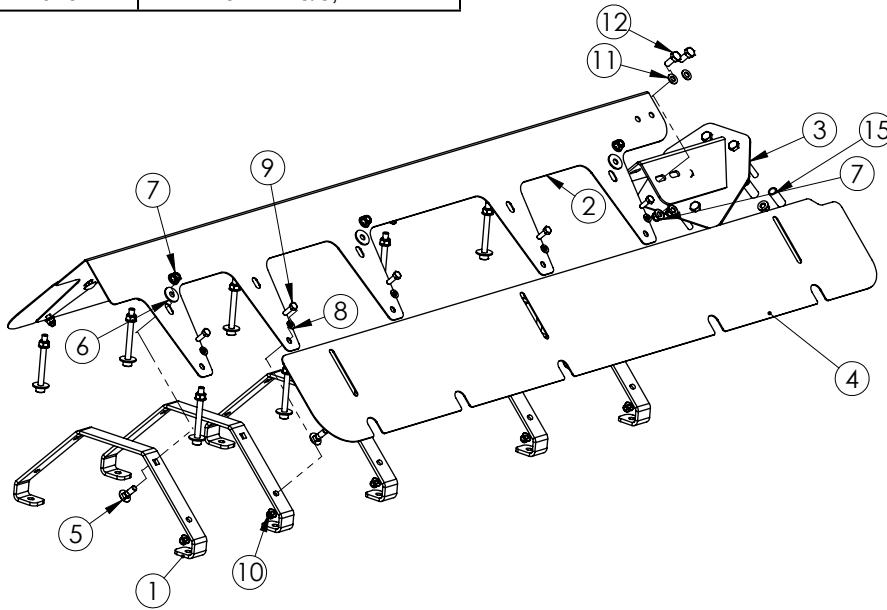
Item	Qty	Part no.	Description
7	1	H26415	Hopper gate
10	1	H26633	Roller axle
11.1	1	H27593	Linear actuator 150mm 12V
11.2	1	H26573	Linear actuator 150mm 24 V
35	1	H27313	Motor gearbox assembly
39	1	H27600	Connector bracket plate



INVERT-VEE ASSEMBLY - H27305

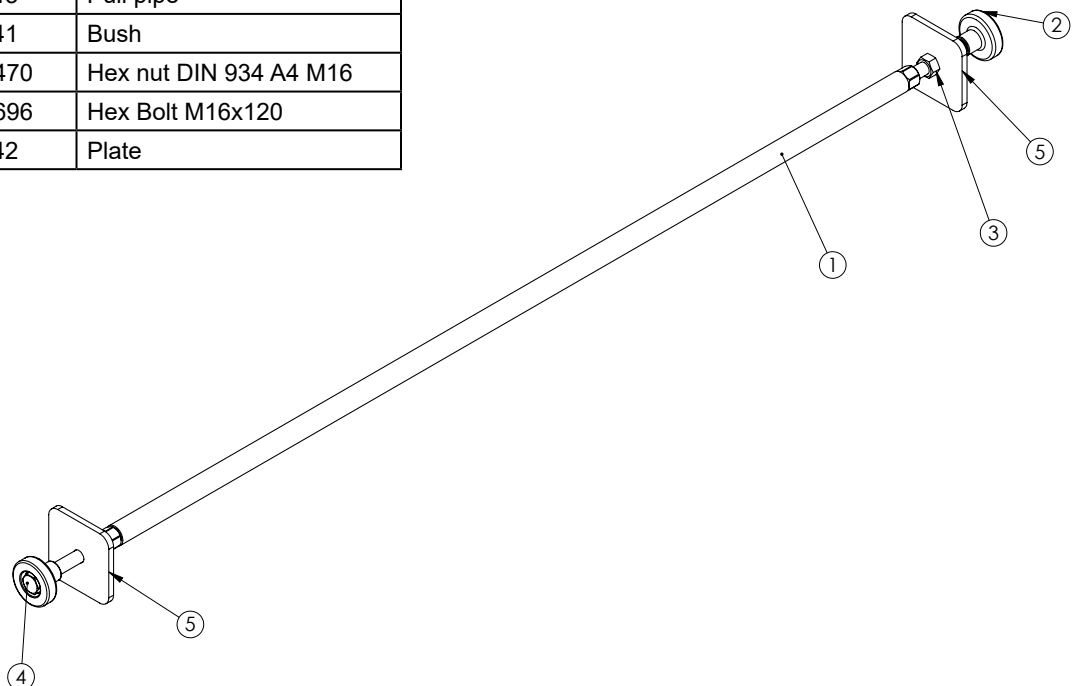
Item	Qty	Part no.	Description
1	5	H26369	Bracket
2	1	H26370	Plate
3	1	H26372	Bracket
4	2	H26371	Plate
5	6	HF10923	DIN 603 A4 M10x30
6	16	HF10526	Washer DIN 9021 A4 M10
7	10	HF19406	DIN 6926 A4 M10
8	10	HF10492	DIN 125 A4 M8/8,4

Item	Qty	Part no.	Description
9	10	HF10744	Hex Bolt M8x25
10	10	HF19405	Flange nyloc A4 M8
11	18	HF10479	Washer
12	4	HF10673	Hex Bolt M10x25
13	10	HF10377	DIN 912 A4 M10x100
14	14	HF10503	Lock nut M10
15	4	H27338	Bush



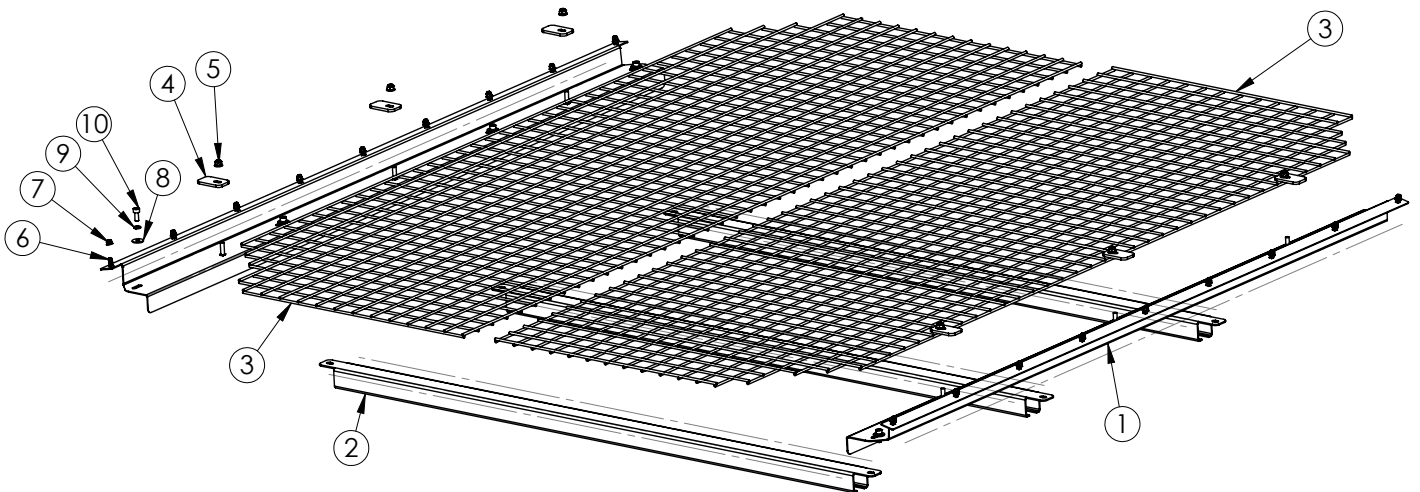
PULL PIPE ASSEMBLY - H26440

Item	Qty	Part no.	Description
1	1	H26443	Pull pipe
2	2	H26441	Bush
3	2	HF10470	Hex nut DIN 934 A4 M16
4	2	HF10696	Hex Bolt M16x120
5	2	H26442	Plate



NET ASSEMBLY - H27481

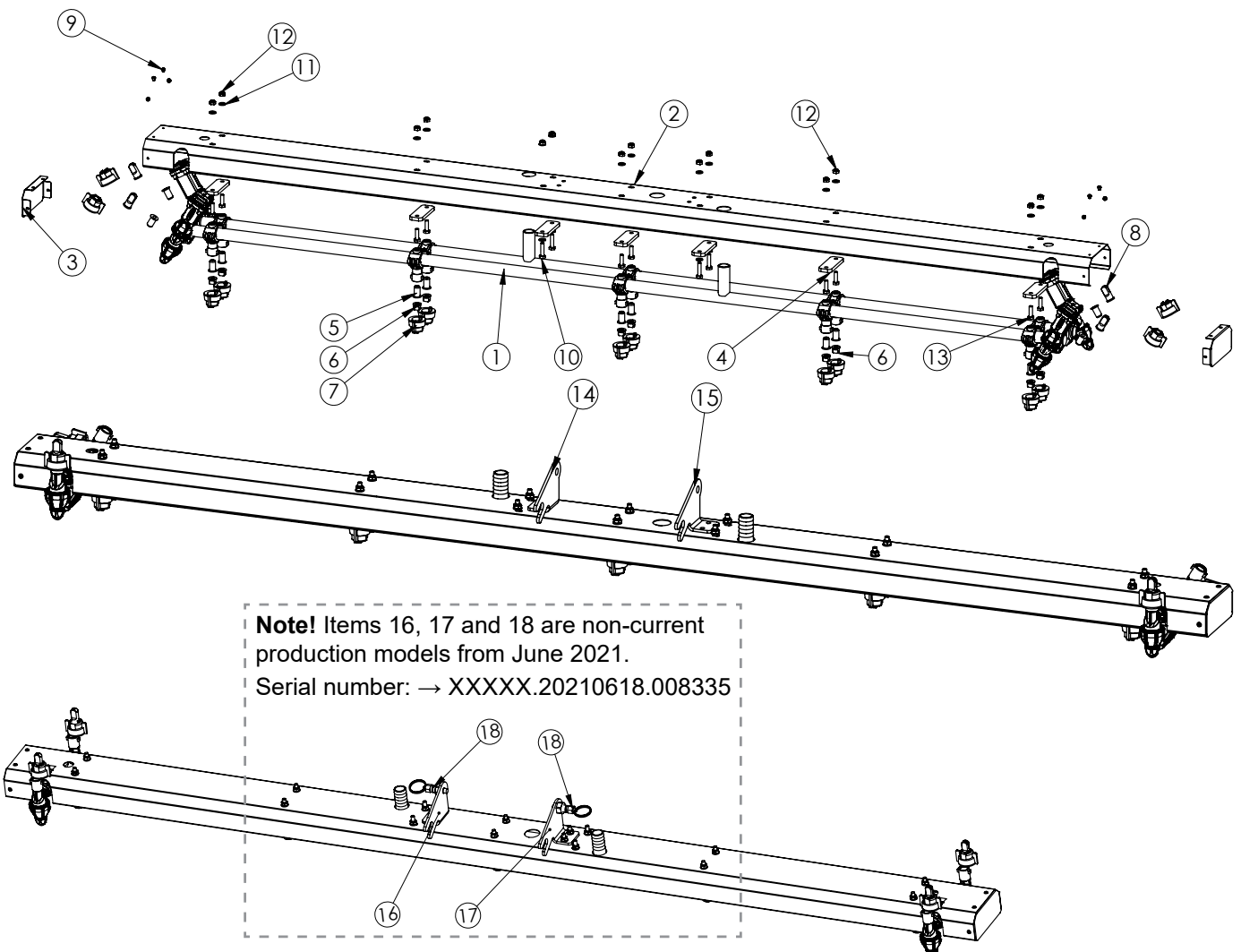
Item	Qty	Part no.	Description
1	2	H27480	Net support bracket
2	3	H26428	Net cross support
3	2	H26429	Net 1600
4	6	H21763	Bracket
5	6	HF19405	Flange nyloc A4 M8
6	18	HF10930	DIN 603 A4 M6x20
7	18	HF19385	Locknut DIN 6926 A4 M6
8	8	HF10533	Washer DIN 9021 M8 A4
9	8	HF10502	DIN 127 A4 M8
10	8	HF10458	DIN 912 A4 M8x20



FOR OPTIONAL LIQUID SYSTEM

SPRAYBAR - H24582

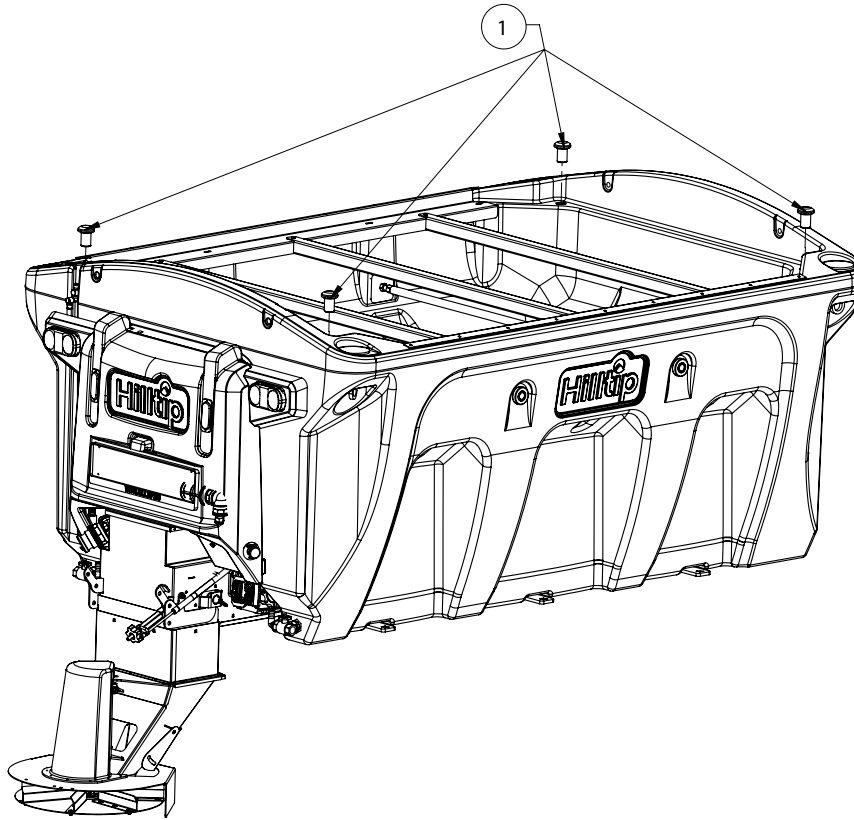
Item	Qty	Part no.	Description	Note
1	2	H24613	Spray bar pipe	
2	1	H24583	Cover plate	
3	2	H24584	End plate	
4	7	H24585	Shim plate	
5	14	H22612	Nozzle filter	
6	10	H22608	Nozzle Flat spray	
7	14	H22613	Nozzle cap	
8	4	H22609	Nozzle boom ext. type	
9	8	HF19360	Blind rivet 3,2x6 A4	
10	4	HF10733	Hex Bolt M6x25	
11	18	HF10491	Washer	
12	14	HF10512	LOCK NUT M6 A4 DIN985	
13	10	HF10732	Hex Bolt M6x20	
14	1	H22597	Spraybar attachment plate left	
15	1	H22599	Spraybar attachment plate right	
16	1	H22596	Spraybar attachment plate left	Non-current production model
17	1	H22598	Spraybar attachment plate right	Non-current production model
18	2	H22644	Index plunger	Non-current production model



FOR OPTIONAL LIQUID SYSTEM

BREATHER VALVE - H28500

Item	Qty	Part no.	Description
1	4	H28500	Breather valve for airflow

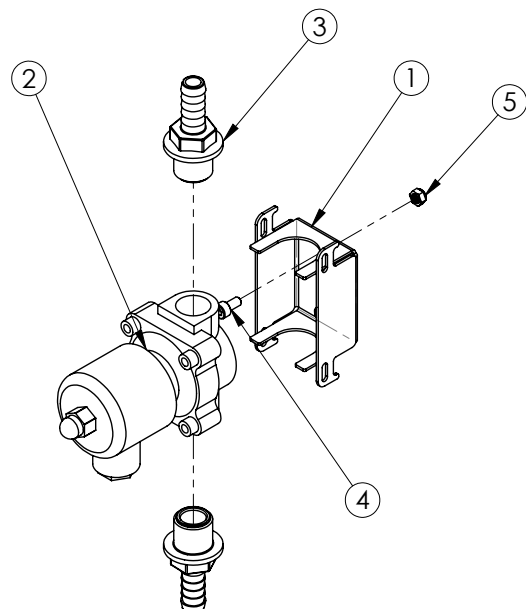
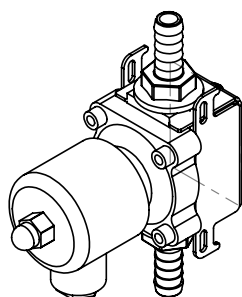


FOR OPTIONAL LIQUID SYSTEM

VALVE PRE-ASSEMBLY - 27486

Item	Qty	Part no.	Description
1	1	H26739	Bracket
2.1	1	H28015	Electric valve 2/2 1/2" 12VDC
2.2	1	H28016	Electric valve 2/2 1/2" 24VDC
3	2	H22954	Hose fitting ,M G1/2"-13mm
4	2	HF10426	M5x10 DIN 4762 A4
5	2	HF10511	Lock nut

NOTE! Non-Current production model, serial number up to → XXXXX.20220519.010583
See current production models on page 27-28.

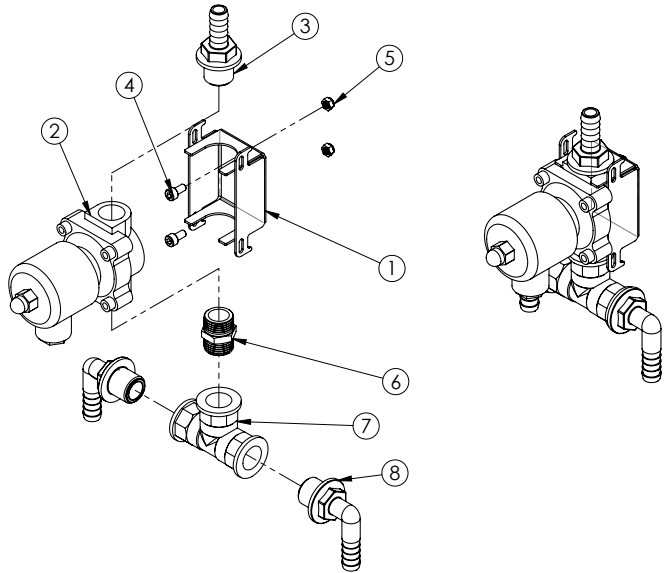


FOR OPTIONAL LIQUID SYSTEM

PRE-WET VALVE PRE-ASSEMBLY - H27488

NOTE! Non-Current production model, serial number up to → XXXXX.20220519.010583
See current production models on page 27-28.

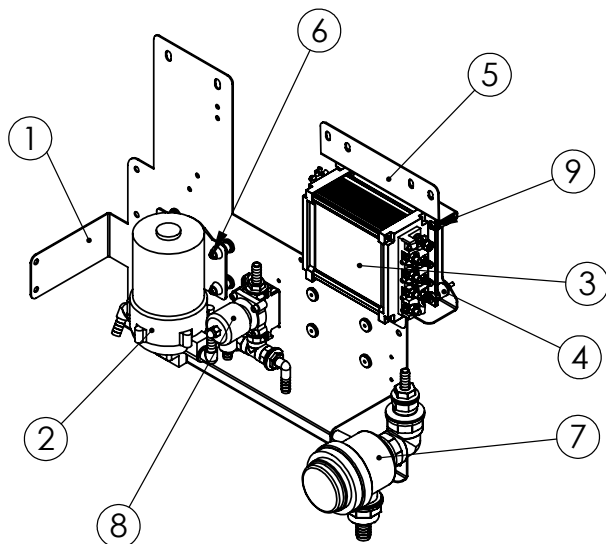
Item	Qty	Part no.	Description
1	1	H26739	Bracket
2	1	H28015	Electric valve 2/2 1/2" 12VDC
	1	H28016	Electric valve 2/2 1/2" 24VDC
3	1	H22954	Hose fitting ,M G1/2" - 13mm
4	2	HF10426	M5x10 DIN 4762 A4
5	2	HF10511	Lock nut
6	1	H22990	Threaded fitting 1/2"
7	1	H23026	Female Tee 1/2"
8	2	H22952	90° hose fitting, M G 1/2



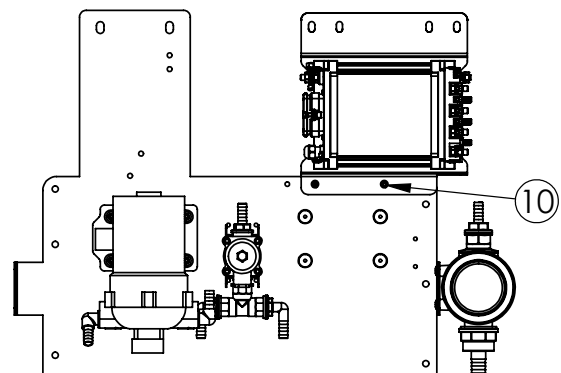
FOR OPTIONAL LIQUID SYSTEM

PUMP + PRE-WET VALVE

Item	Qty	Part no.	Description	Notes
1	1	H26731	Pump plate	
2	1	H25338	Pump with hose nipples, 12V	See page 30
	1	H30321	Pump with hose nipples, 24V	
3	1	H30116-1	Spreader module 12V	
	1	H30471	Spreader module 24V	
4	4	H24772	Vibration dampener SS	
5	1	H26565	Bracket plate	
6	4	HF19279	DIN 912 M5x30 A2	
7	1	H27487	Filter pre-assembly	See page 29
8	1	H27486	Pre-wet Valve pre-assembly	Non-current production model!
9	4	HF10436	In Hex Bolt M6x10 DIN 4762	
10	2	HF19123	ISO 7380 A4 M6x16	



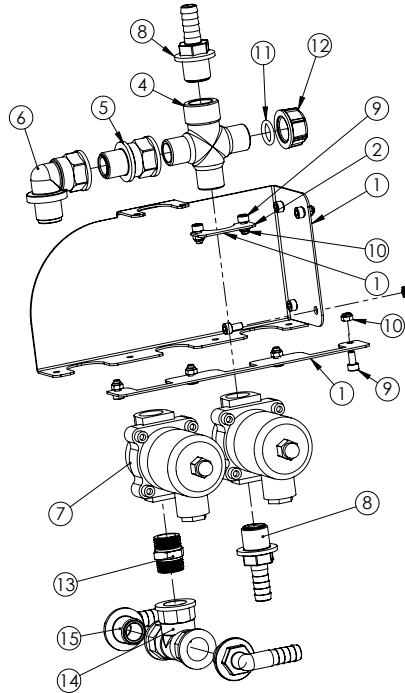
NOTE! Item 8 is a non-current production model, serial number up to → XXXXX.20220519.010584. See page 26 for retrofit upgrade kit.



FOR OPTIONAL LIQUID SYSTEM

2-PORT SELECTOR VALVE PRE-ASSEMBLY - H27484

Item	Qty	Part no.	Description
1	1	H26738	Bracket
4	1	H26736	4-way male/female fitting G1/2"
5	1	H27479	Straight M/F adapter 1/2" - 1/2"
6	1	H26737	90deg. M/F adapter 1/2" - 1/2"
7	2	H28015	Electric valve 2/2 1/2" 12VDC
	2	H28016	Electric valve 2/2 1/2" 24VDC
8	2	H22954	Hose fitting ,M G1/2" - 13mm
9	10	HF10426	M5x10 DIN 4762 A4
10	10	HF10511	Lock nut
11	1	H27478	OR 14x3
12	1	H27477	Blanking cap 1/2"
13	1	H22990	Threaded fitting 1/2"
14	1	H23026	Female Tee 1/2"
15	2	H22952	90° hose fitting, M G 1/2

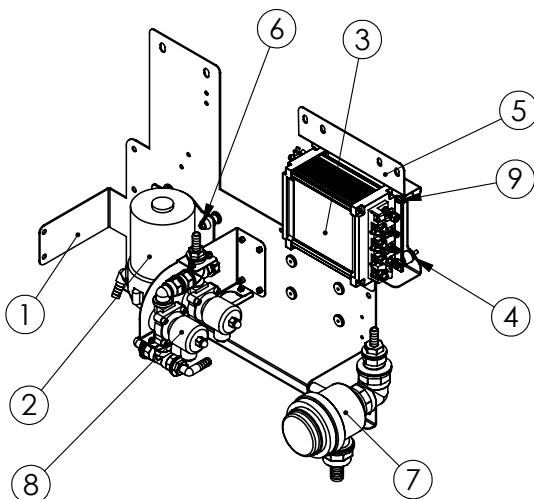


NOTE! Non-Current production model, serial number up to → XXXXX.20220519.010583
See current production models on page 27-28.

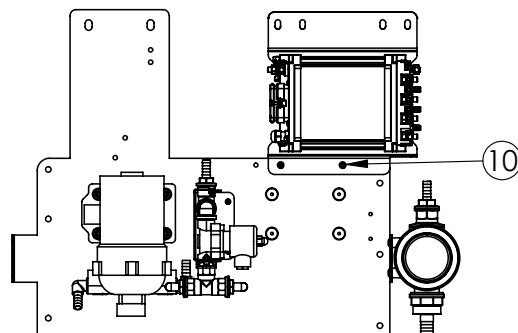
FOR OPTIONAL LIQUID SYSTEM

PUMP+2-PORT SELECTOR VALVE

Item	Qty	Part no.	Description	Notes
1	1	H26731	Pump plate	
2	1	H25338	Pump with hose nipples, 12V	See page 29
	1	H30321	Pump with hose nipples, 24V	
3	1	H30116-1	Spreader module 12V	
	1	H30471	Spreader module 24V	
4	4	H24772	Vibration dampener SS	
5	1	H26565	Bracket plate	
6	4	HF19279	DIN 912 M5x30 A2	
7	1	H27487	Filter pre-assembly	See page 28
8	1	H27484	Selector valve pre-assembly 2-port	Non-current production model!
9	4	HF10436	In Hex Bolt M6x10 DIN 4762	
10	2	HF19123	ISO 7380 A4 M6x16	



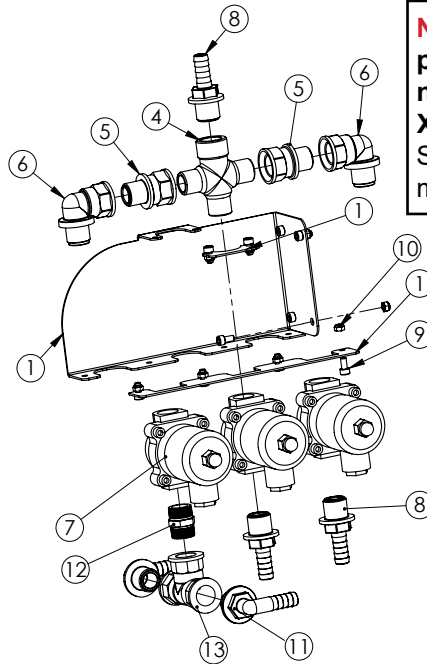
NOTE! Item 8 is a non-current production model, serial number up to → XXXXX.20220519.010584. See page 26 for retrofit upgrade kit.



FOR OPTIONAL LIQUID SYSTEM

3-PORT SELECTOR VALVE PRE-ASSEMBLY - H27485

Item	Qty	Part no.	Description
1	1	H26738	Bracket
4	1	H26736	4-way male/female fitting G1/2"
5	2	H27479	Straight M/F adapter 1/2" - 1/2"
6	2	H26737	90deg. M/F adapter 1/2" - 1/2"
7	3	H28015	Electric valve 2/2 1/2" 12VDC
	3	H28016	Electric valve 2/2 1/2" 24VDC
8	3	H22954	Hose fitting ,M G1/2"-13mm
9	10	HF10426	M5x10 DIN 4762 A4
10	10	HF10511	Lock nut
11	2	H22952	90° hose fitting, M G 1/2
12	1	H22990	Threaded fitting 1/2"
13	1	H23026	Female Tee 1/2"

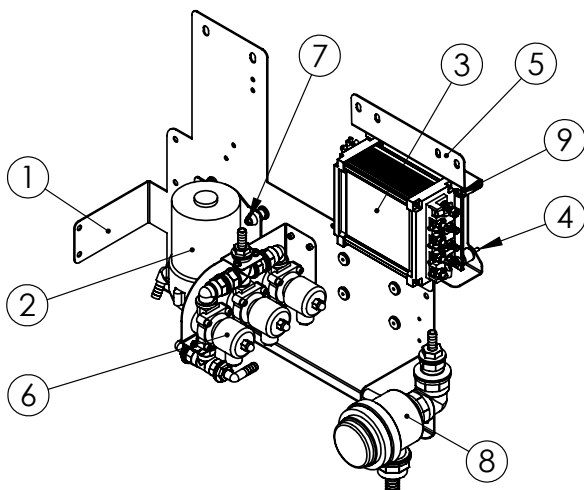


NOTE! Non-Current production model, serial number up to → XXXXX.20220519.010583
See current production models on page 27-28.

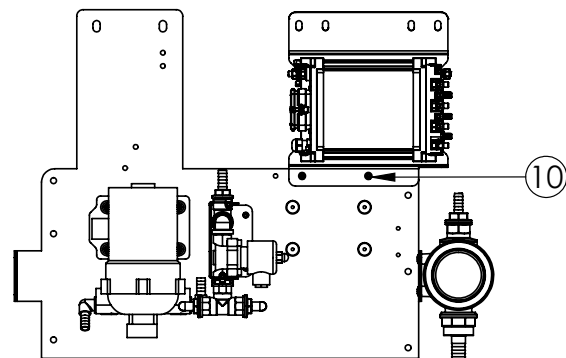
FOR OPTIONAL LIQUID SYSTEM

PUMP+3-PORT SELECTOR VALVE

Item	Qty	Part no.	Description	Notes
1	1	H26731	Pump plate	
2	1	H25338	Pump with hose nipples, 12V	See page 29
	1	H30321	Pump with hose nipples, 24V	
3	1	H30116-1	Spreader module 12V	
	1	H30471	Spreader module 24V	
4	4	H24772	Vibration dampener SS	
5	1	H26565	Bracket plate	
6	1	H27485	Selector valve pre-assembly 3-port	Non-current production model!
7	4	HF19279	DIN 912 M5x30 A2	
8	1	H27487	Filter pre-assembly	See page 28
9	4	HF10436	In Hex Bolt M6x10 DIN 4762	
10	2	HF19123	ISO 7380 A4 M6x16	



NOTE! Item 6 is a non-current production model, serial number up to → XXXXX.20220519.010584.
See page 26 for retrofit upgrade kit.



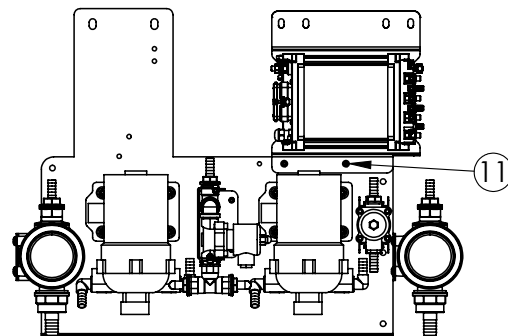
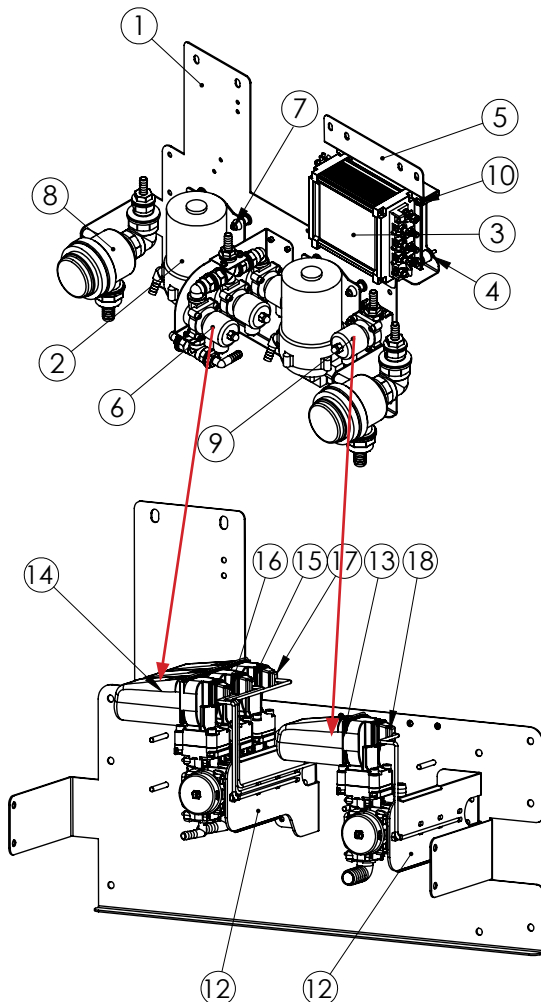
FOR OPTIONAL LIQUID SYSTEM

TWIN PUMP+3-PORT SELECTOR VALVE

Item	Qty	Part no.	Description	Notes
1	1	H26731	Pump plate	
2	2	H25338	Pump with hose nipples, 12V	See page 30
	2	H30321	Pump with hose nipples, 24V	
3	1	H30116-1	Spreader module 12V	
	1	H30471	Spreader module 24V	
4	4	H24772	Vibration dampener SS	
5	1	H26565	Bracket plate	
6	1	H27485	Selector valve pre-assembly 3-port	Non-current production model!
7	8	HF19279	DIN 912 M5x30 A2	
8	2	H27487	Filter pre-assembly	See page 29
9	1	H27486	Valve pre-assembly	Non-current production model!
10	4	HF10436	In Hex Bolt M6x10 DIN 4762	
11	2	HF19123	ISO 7380 A4 M6x16	
12	2	H41544	Valve bracket	
13	1	H41821	Spraybar valve 1 section pre-assembly	Current production model! See page 27
14	1	H41822	Valve 3 sections, HR+PW+SB*, pre-assembly	Current production model! See page 28
15	1	H30486	Pre-wet harness with valve connector	
16	1	H30489	Handspray harness with valve connector	
17	1	H30487	Spraybar 1 harness with valve connector	
18	1	H30488	Spraybar 2 harness with valve connector	

* HR = Hose reel, PW = Pre-wet, SB = Spraybar

NOTE! Item 6 and 9 are non-current production models, serial number up to →XXXXX.20220519.010584.



NOTE! Item 13 and 14 are current production models, serial number starting from XXXXX.20220519.010584 →

RETROFIT UPGRADE KITS:

H41861 - Pre-wet retrofit kit

H41862 - Pre-wet + Spraybar retrofit kit

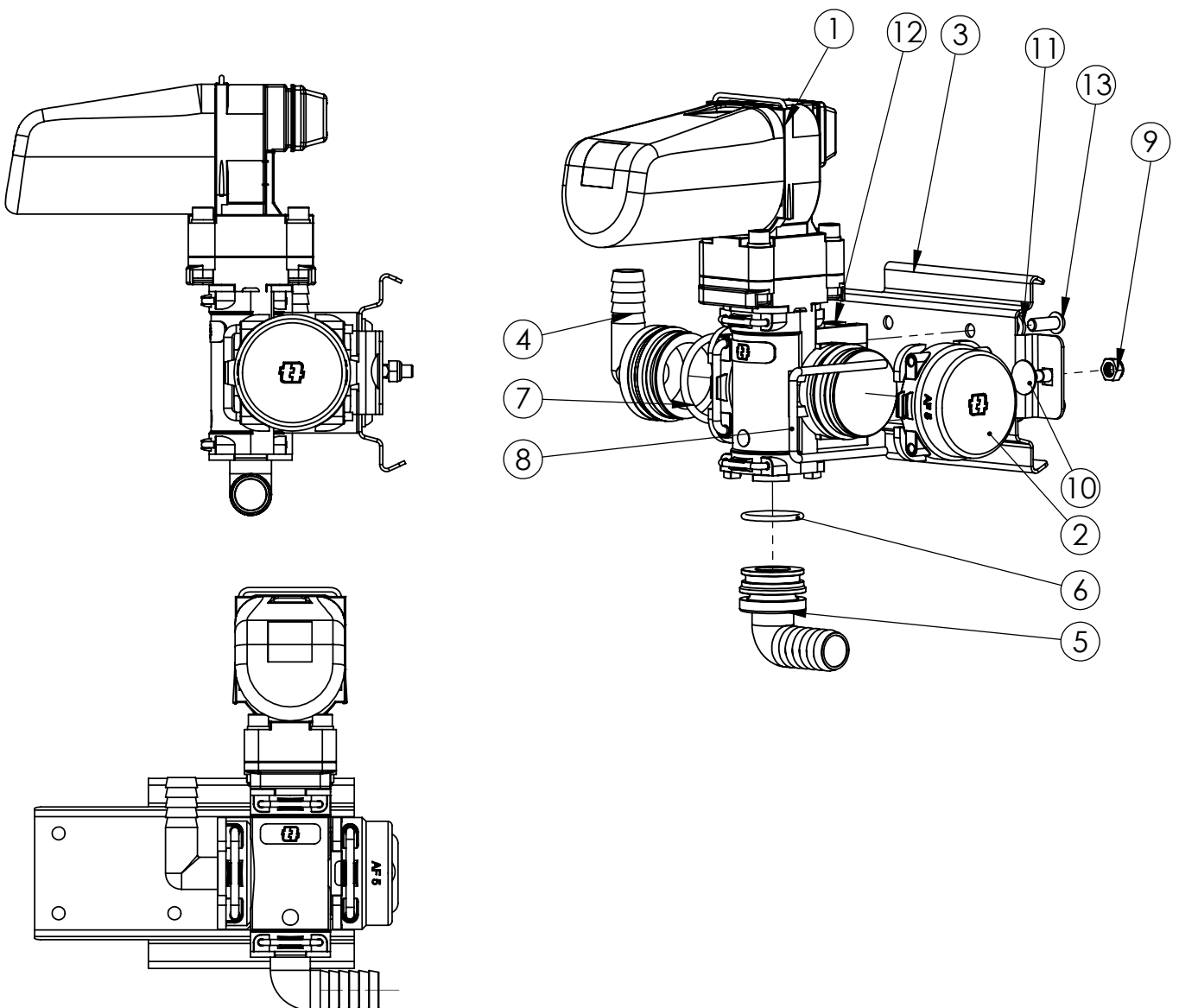
H41863 - Hose reel + Pre-wet + Spraybar retrofit kit

FOR OPTIONAL LIQUID SYSTEM

SPRAYBAR VALVE 1 SECTION PRE-ASSEMBLY - H41821

Item	Qty	Part no.	Description
1	1	H41294	Valve NRG-AF 12V
	1	H30512	Valve NRG-AF 24V
2	1	H41301	End cap AF5
3	1	H41324	Valve bracket plate
4	1	H41299	Hose fitting 90deg. AF5M-16mm
5	1	H41300	Hose fitting straight ,AF3M-20mm
6	1	H41506	O-Ring, AF3-EPDM
7	1	H41507	O-Ring, AF5-EPDM
8	1	H28504	T5/AF5 fork clip
9	1	HF10512	Lock nut M6 A4 DIN985
10	1	HF10929	Lock bolt DIN603 M6x16 A4
11	2	HF10501	Washer M6 A4 DIN 127
12	2	H41385	Plate
13	2	HF19123	ISO 7380 A4 M6x16

NOTE! Current production model, serial number starting from XXXXX.20220519.010584 →



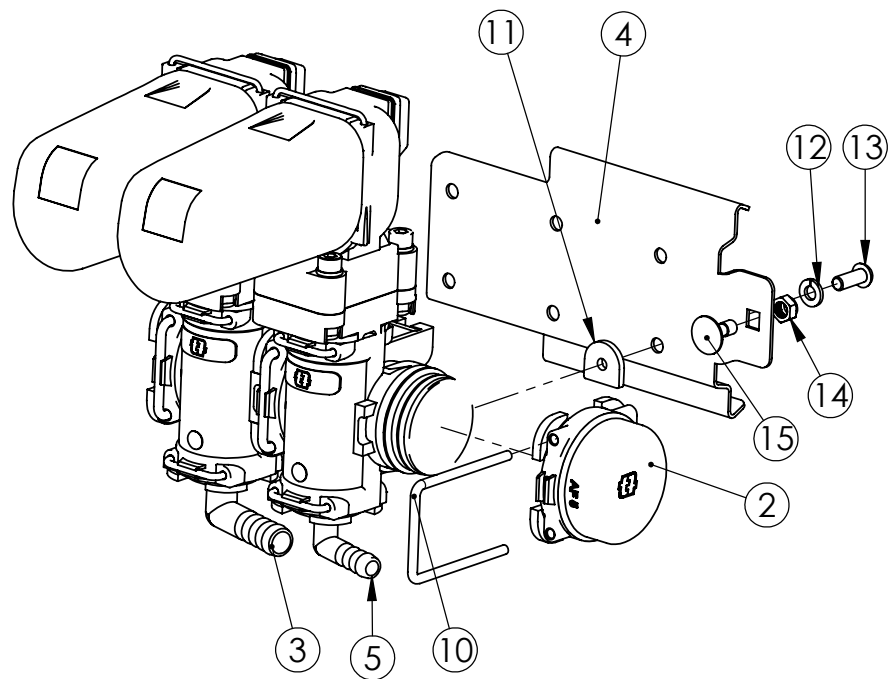
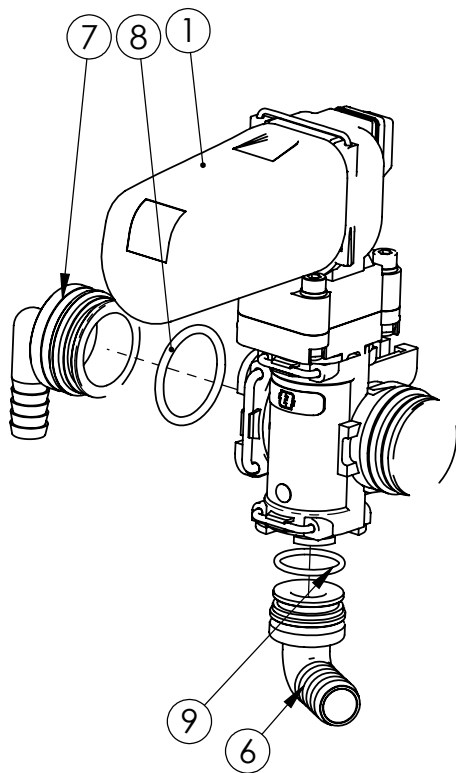
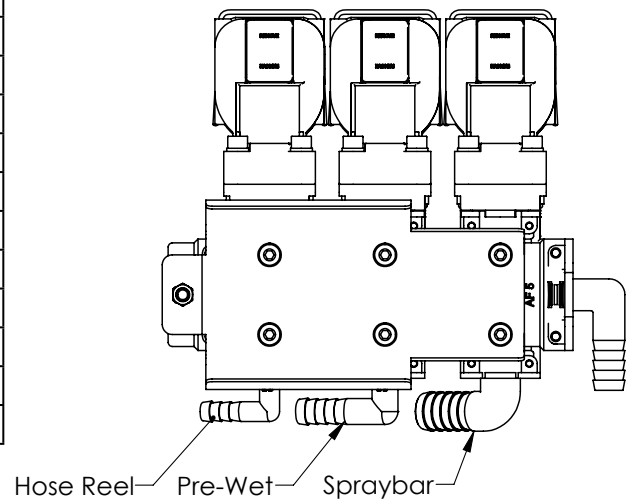
FOR OPTIONAL LIQUID SYSTEM

VALVE 3 SECTIONS, HR+PW+SB*, PRE-ASSEMBLY - H41822

Item	Qty	Part no.	Description
1	3	H41294	Valve NRG-AF 12V
	3	H30512	Valve NRG-AF 24V
2	1	H41301	End Cap AF5
3	1	H41296	Hose Fitting 90deg. AF3M-13mm
4	1	H41324	Valve bracket plate
5	1	H41295	Hose Fitting 90deg. AF3M-10mm
6	1	H41300	Hose Fitting straight ,AF3M-20mm
7	1	H41299	Hose Fitting 90deg. AF5M-16mm
8	1	H41507	O-Ring, AF5-EPDM
9	3	H41506	O-Ring, AF3-EPDM
10	1	H28504	T5/AF5 fork clip
11	6	H41385	Plate
12	6	HF10501	Washer M6 A4 DIN 127
13	6	HF19123	ISO 7380 A4 M6x16
14	1	HF10512	Lock nut M6 A4 DIN985
15	1	HF10929	Lock bolt DIN603 M6x16 A4

* HR = Hose reel, PW = Pre-wet, SB = Spraybar

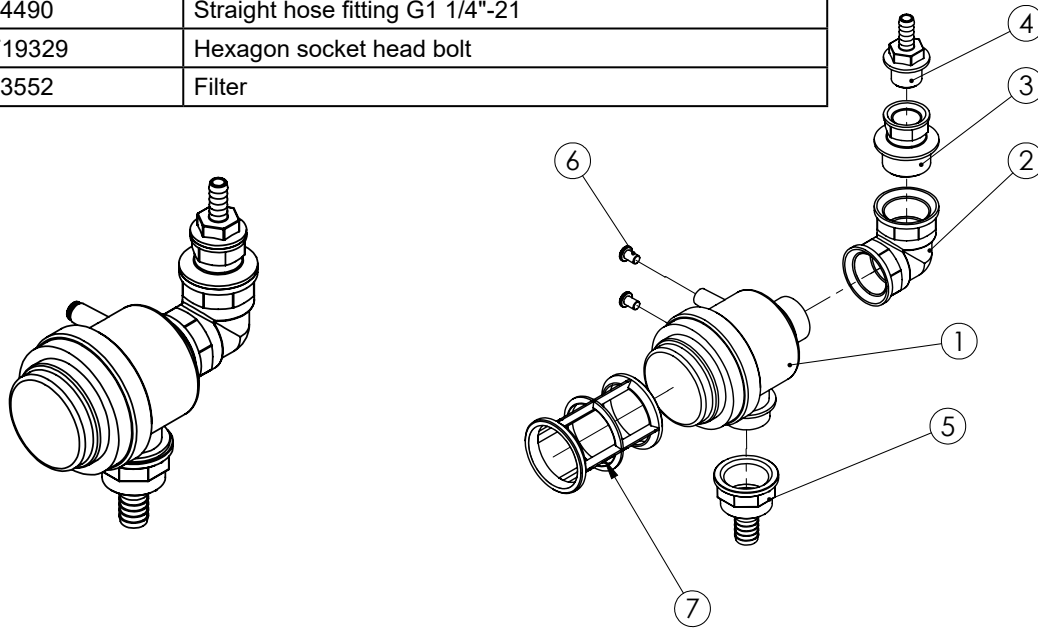
NOTE! Current production model, serial number starting from XXXXX.20220519.010584 →



FOR OPTIONAL LIQUID SYSTEM

FILTER PRE-ASSEMBLY - H27487

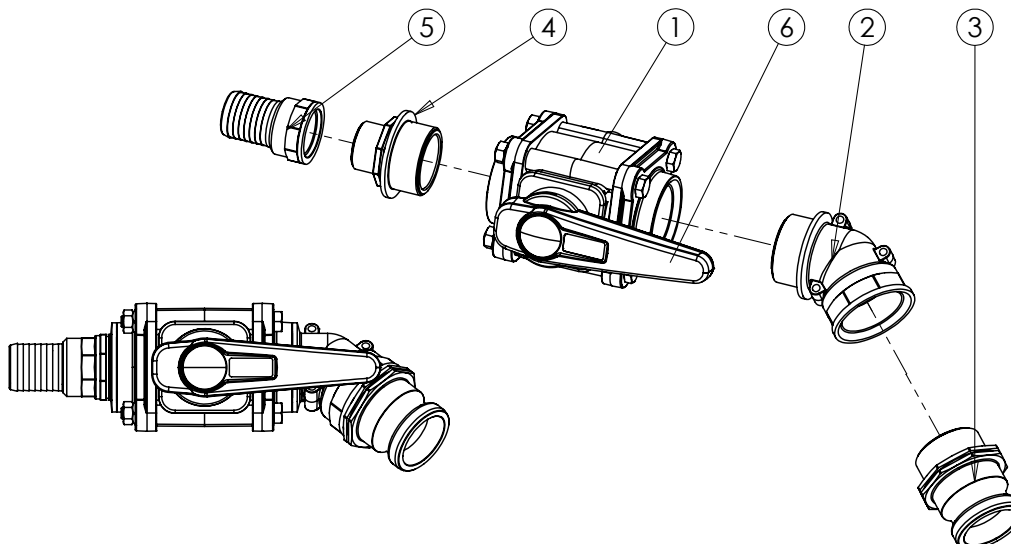
Item	Qty	Part no.	Description
1	1	H22947	Suction filter
2	1	H22948	Elbow 90° F/F 1 1/4"
3	1	H26740	Reduction G1 1/4" → 3/4"
4	1	H25661	Hose fitting, M G 3/4" 13mm
5	1	H24490	Straight hose fitting G1 1/4"-21
6	2	HF19329	Hexagon socket head bolt
7	1	H23552	Filter



FOR OPTIONAL LIQUID SYSTEM

MAIN FILL VALVE ASSEMBLY - H28670

Item	Qty	Part no.	Description
1	1	H24593	Valve 2"
2	1	H25235	Female/Male 45deg threaded fitting G 2"
3	1	H25234	Camlock 2", male thread G 2"
4	1	H28259	Reduction G2"M → 1 1/4"M
5	1	H28359	Straight hose fitting 1 1/4"F → 40mm
6	1	H29788	Handle long



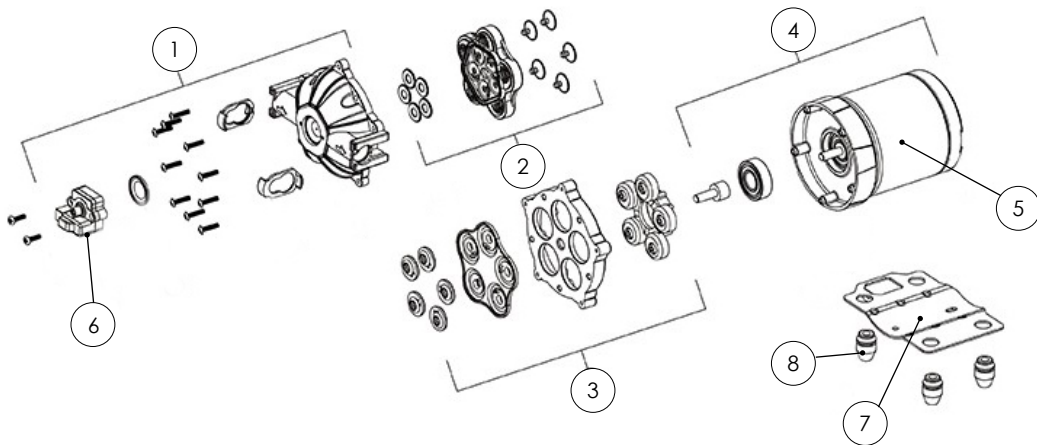
FOR OPTIONAL LIQUID SYSTEM

PUMP ASSEMBLY

12V - H25338

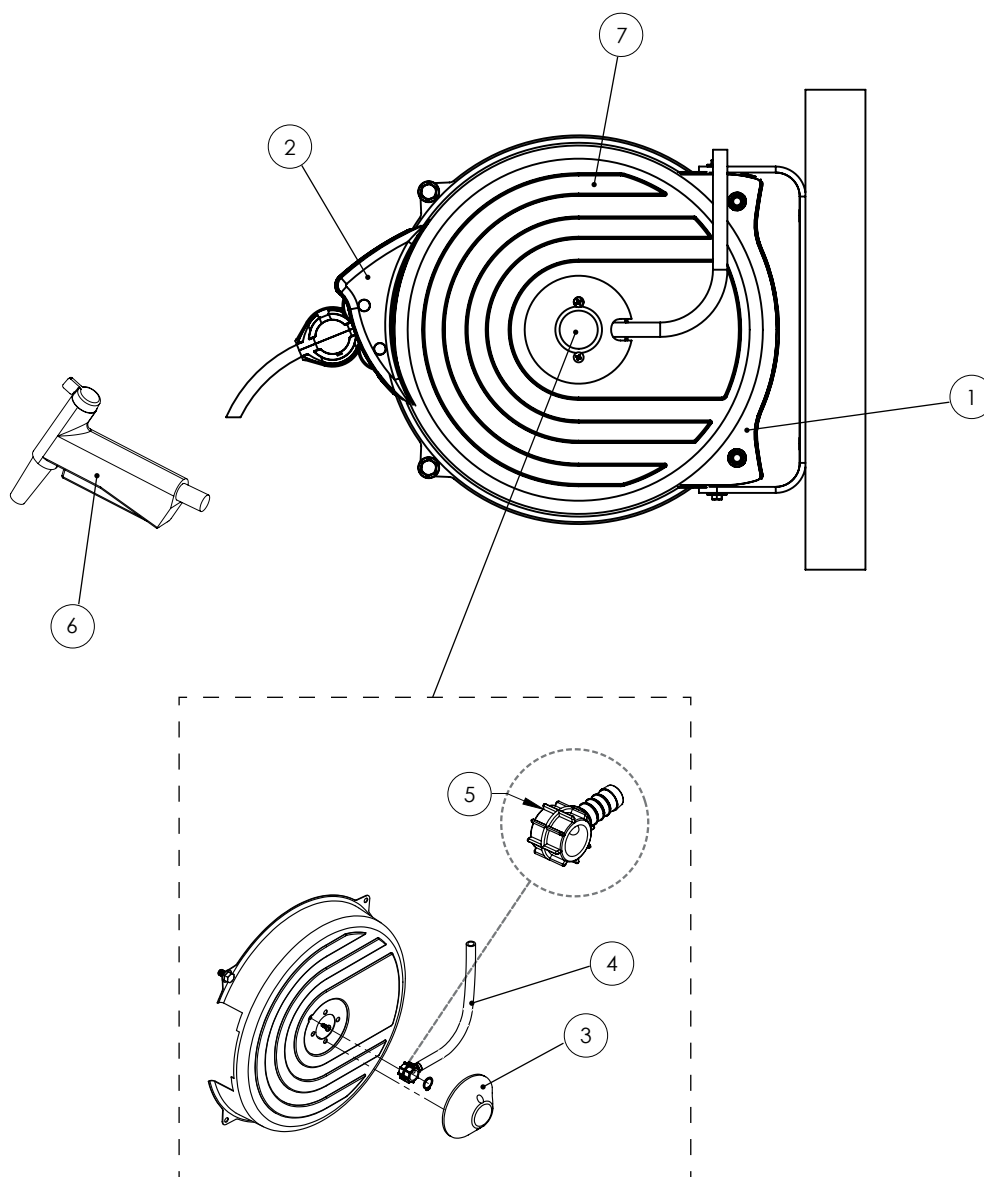
24V - H30321

Item	Qty	Part no.	Description
1	1	H41484	Pump head assembly
2	1	H41485	Valve assembly
3	1	H41486	Diaphragm assembly
4	1	H41487	Motor assembly 12V
	1	H41478	Motor assembly 24V
5	1	H41488	Motor 12V
	1	H41479	Motor 24V
6	1	H30416	Pressure sensor assembly
7	1	H25337	Pump bracket
8	4	H23003	Rubber bush



FOR OPTIONAL LIQUID SYSTEM
HOSE REEL

Item	Qty	Part no.	Description
1	1	H40690	Plastic bracket
2	1	H30452	Output case with pulleys
3	1	H30455	Cover for swivel
4	1	H30454	Connecting hose
5	1	H30453	Swivel with hose fitting
6	1	H22534	Spray pistol
7	1	H22540	Hose reel



ELECTRICAL COMPONENTS

<i>Part no.</i>	<i>Description</i>
H30130	Vehicle side harness
H30131	Extension harness 5 m (optional)
H30132	Spreader side harness to vehicle side harness, 1600-2600 (battery + data cable)
H30133	Spreader side harness, 1600-2600
H30134	Spinner motor to spreader module harness
H30135	Beacon harness split
H30136	License plate harness 1600-2600
H30137	Pre-wet harness
H30138	Spraybar 1 harness
H30139	Spraybar 2 harness
H30140	Handspray harness
H30141	Auger-encoder/Vibrator to spreader module harness
H22756	Vehicle side 8-pin data cable
H22761	Spreader side 8-pin cable
H21913	Controller Assembly

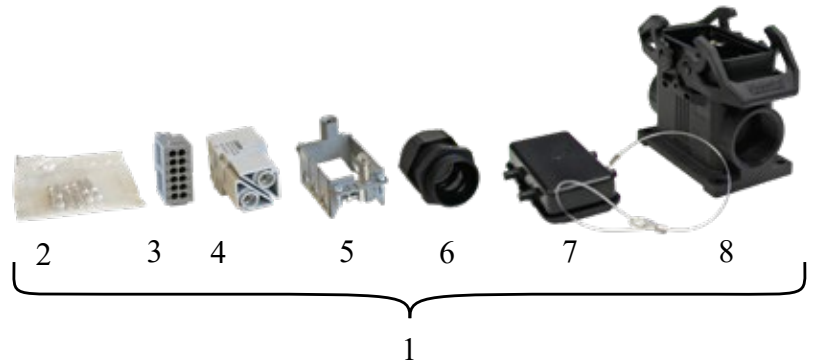
CONTROLLER ASSEMBLY - H21913

<i>Item</i>	<i>Part no.</i>	<i>Description</i>
1	H22739	Controller front
2	H22975	Controller circuit assembly
3	H22960	RAM mount

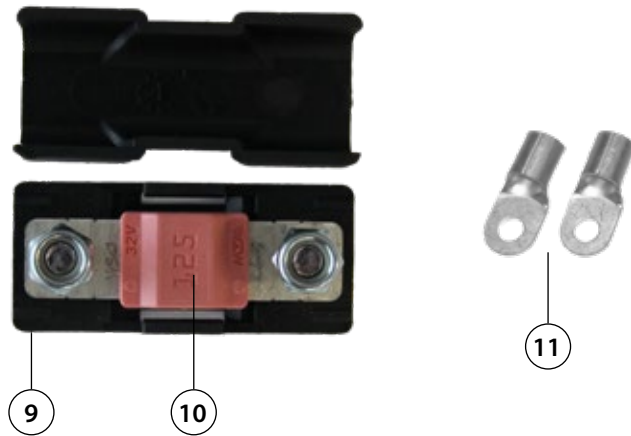


CONNECTORS

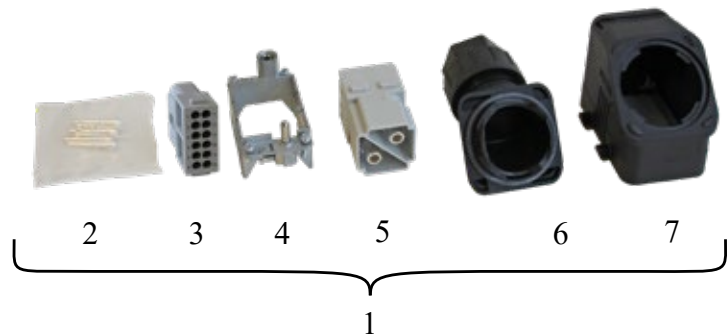
Item	Qty	Part no.	Description
1	1	H30151	Vehicle side harness connector
2	1	H30152	Terminal kit (8 pcs 0,5mm ²)
3	1	H30145	Insert module
4	1	H25796	Insert module
5	1	H25763	Carrier frame
6	1	H25764	Cable gland
7	1	H25803	Cover
8	1	H25765	Housing



9	1	H26129	Fuse holder midval small
10	1	H22885	Fuse midval 125 A, pink
11	2	H24273	Connector 5mm 25 mm ²



Item	Qty	Part no.	Description
1	1	H30150	Spreader side harness connector
2	1	H30153	Terminal kit (5 pcs 1,0 mm ²)
3	1	H26625	Insert module
4	1	H25759	Carrier frame
5	1	H25800	Insert module
6	1	H25760	Cable gland
7	1	H25828	Housing



Item	Qty	Part no.	Description
1	1	H25766	Spreader side harness connector holder

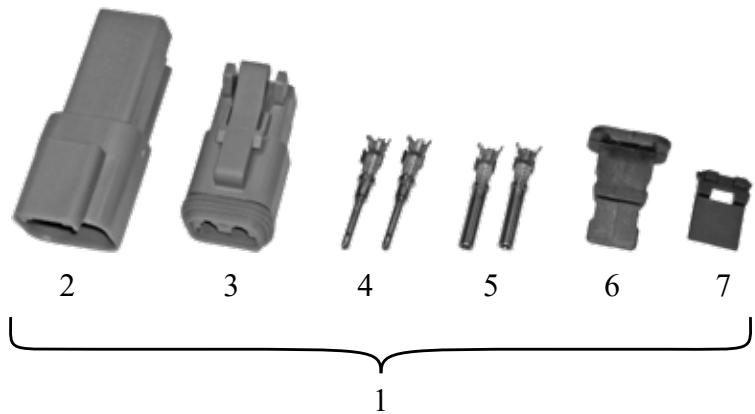


Item	Qty	Part no.	Description
1	1	H22305	Protective cap ATP
2	1	H22304	Protective cap AT
3	1	H22168	Sealing Cap female



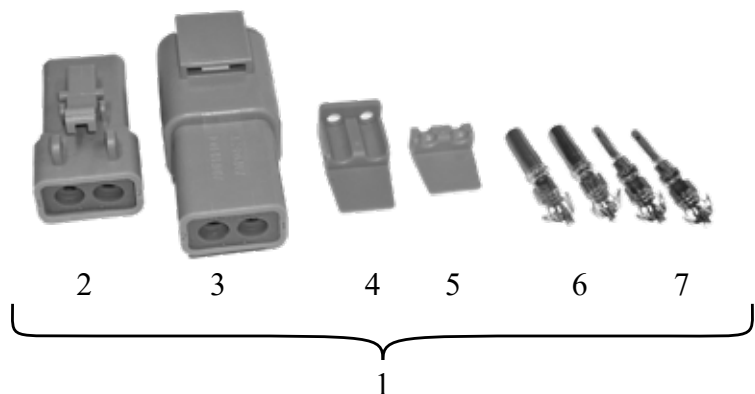
Item	Qty	Part no.	Description
1	1	H23366	DT connector kit 1mm ²
2	1	H21879	Receptacle, 2-Way
3	1	H21877	Plug, 2-way
4	20*	H21883	Male Contact - Pin 0,823-1,31mm ²
5	20*	H21881	Female Contact - Socket 0,823-1,31mm ²
6	1	H21878	Wedgeloock Plug, 2-Way
7	1	H21880	Wedgeloock Recep., 2-Way

*minimum order quantity: 20 pcs



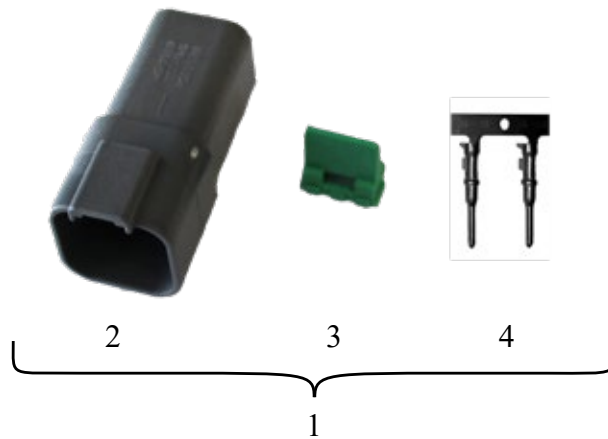
Item	Qty	Part no.	Description
1	1	H23368	DTP Connector kit
2	1	H21888	Plug, 2-way
3	1	H21886	Receptacle, 2-Way
4	1	H21889	Wedgeloock Plug, 2-Way
5	1	H21887	Wedgeloock Recep., 2-Way
6	20*	H21884	Female Contact - Socket 2,08-3,31 mm ²
7	20*	H21885	Male Contact - Pin 2,08-3,31mm ²

*minimum order quantity: 20 pcs



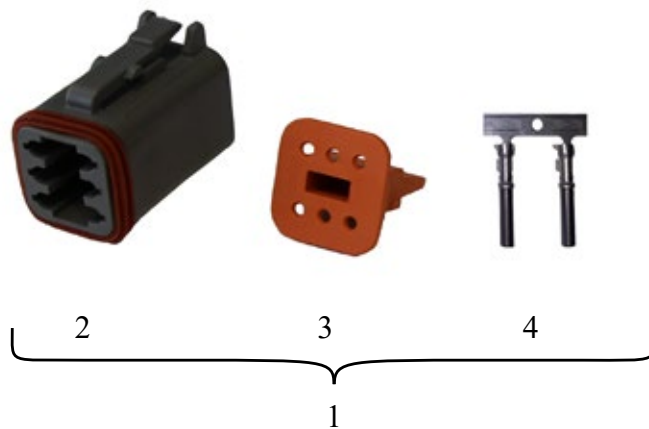
Item	Qty	Part no.	Description
1	1	H30154	Connector Kit, DT 6-way Male
2	1	H30125	Receptacle, 6-Way
3	1	H30128	Wedglock recep., 6-Way
4	20*	H21883	Male Contact - Pin 0,823-1,31mm

*minimum order quantity: 20 pcs

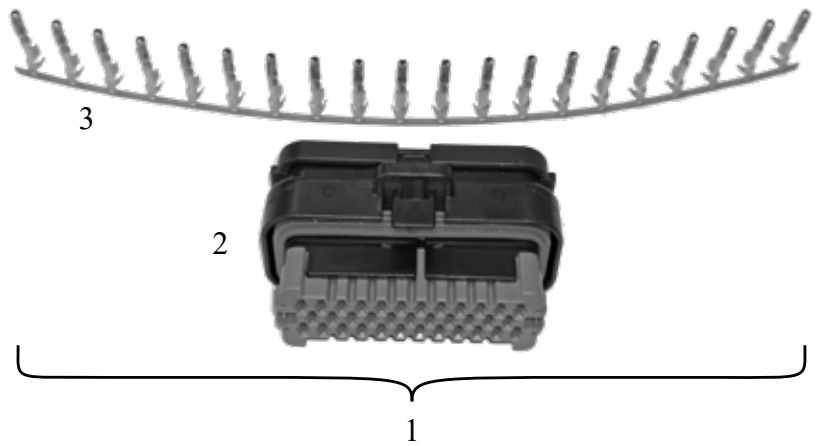


Item	Qty	Part no.	Description
1	1	H30155	Connector Kit, DT 6-way Female
2	1	H25941	Plug, 6-way
3	1	H25942	Wedglock Plug, 6-Way
4	20*	H21881	Female Contact - Socket 0,823-1,31mm

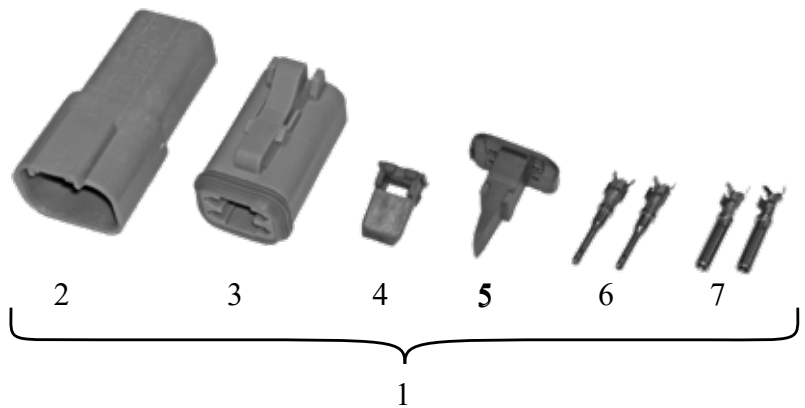
*minimum order quantity: 20 pcs



Item	Qty	Part no.	Description
1	1	H23369	IO module connector kit
2	1	H21955	Connector Housing AMPSEAL 35 pin
3	20	H21956	Female Contact - Socket



Item	Qty	Part no.	Description
1	1	H23370	Rear lights connector kit
2	1	H21910	Receptacle, 4-Way
3	1	H21908	Plug, 4-Way
4	1	H21911	Wedgelock Recep., 4-Way
5	1	H21909	Wedgelock Plug, 4-Way
6	20*	H21883	Male Contact - Pin 0,823-1,31mm ²
7	20*	H21881	Female Contact - Socket 0,823-1,31mm ²



*minimum order quantity: 20 pcs

Item	Qty	Part no.	Description
1	1	H23529	Dielectric grease, 50g



Item	Qty	Part no.	Description
1	1	H21935	Connector for spinner, 8 mm 4 mm ²
2	1	H21953	Connector for auger/ conveyor, 8 mm 16 mm ²
3	1	H24274	Connector for vehicle side, 10 mm 25 mm ²
4	1	H24207	Connector for spreader module 8 mm 25 mm ²
5	1	H24273	Connector for fuse holder, 5 mm 25 mm ²

1



2



3



4



5





Oy Hilltip Ab
Pukkisaarentie 6
FIN-68600 Pietarsaari
Finland

+358 50 5983 026
+358 50 3659 415
www.hilltip.com
info@hilltip.com