



PARTS LIST

3000 - 5000 L POLY ELECTRIC MODULAR SPREADER

TABLE OF CONTENTS

Spreader assembly.....	3-5
Chute assembly.....	6-9
Spinner assembly.....	10
End of material sensor kit.....	10
Auger Bottom pre-assembly.....	11
Chain Bottom pre-assembly, 5000 CM.....	12
Chain Bottom pre-assembly, 3000-4000 CM.....	13
Chain motor gearbox assembly.....	14
Back cover assembly.....	15
Invert vee assembly.....	16
Net support frame.....	17
Extension kit.....	18
Tarp assembly.....	19
Auger gearbox pre-assembly.....	20
Auger screw pre-assembly.....	21
Spray bar.....	22
Spray bar mounting kit.....	23
Parts for pre-wet, hose reel, spray bar configuration.....	24-25
Valve pre-assembly.....	26
Pre-wet valve pre-assembly.....	26
Spraybar valve 1 section pre-assembly.....	27
3-port Selector valve pre-assembly.....	28
Valve 3 section, Hose reel + Pre-wet + Spraybar, pre-assembly.....	29
Filter pre-assembly.....	30
Main fill valve assembly.....	30
Pump assembly.....	31
Hose reel.....	32
Spreader hopper hoses and fittings.....	33-34
Electrical harnesses.....	35
Controller assembly.....	35
LED Rear light kit.....	36
Connectors.....	37-41

SPREADER ASSEMBLY 3000-5000 AM/CM

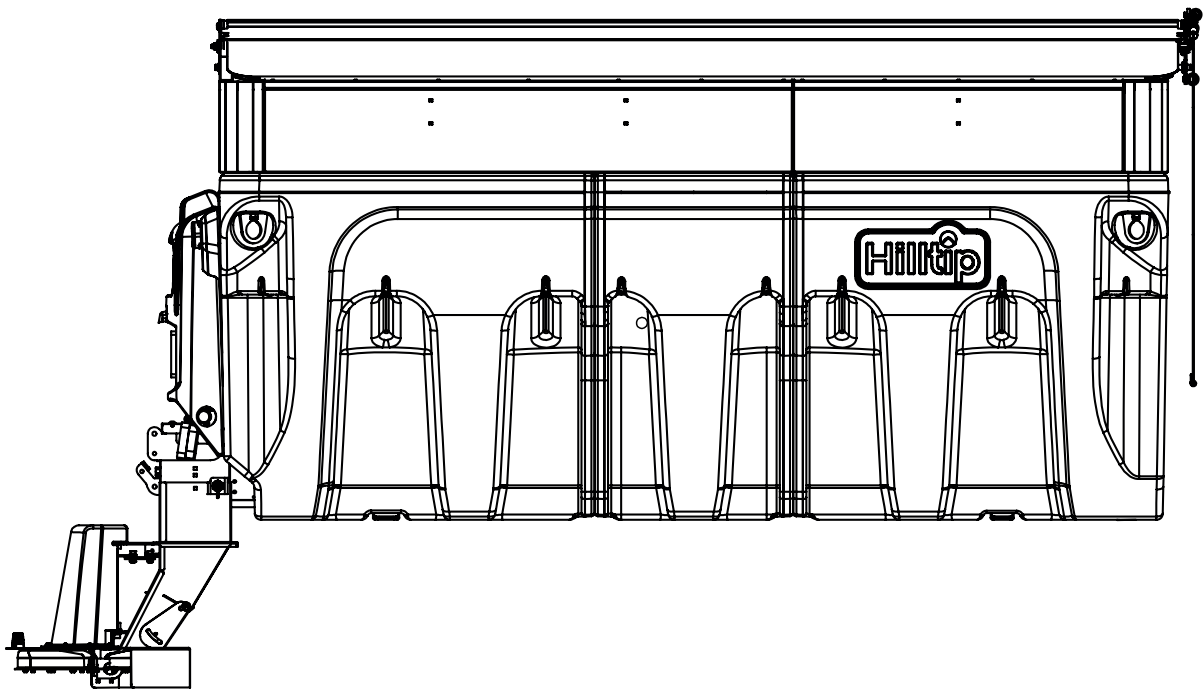
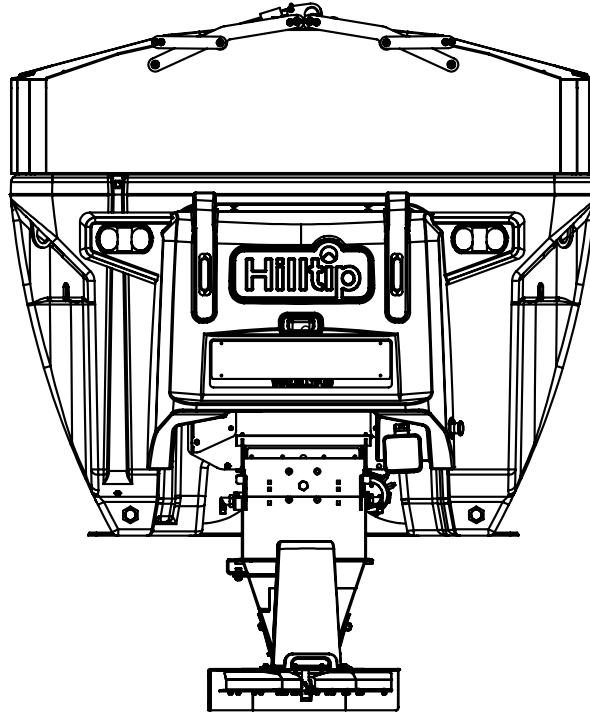


Image shows IceStriker™ 4000 AM

SPREADER ASSEMBLY 3000-5000 AM/CM

- 3000 AM - H40284
- 3000 CM - H40285
- 4000 AM - H40112
- 4000 CM - H40113
- 5000 CM - H40114

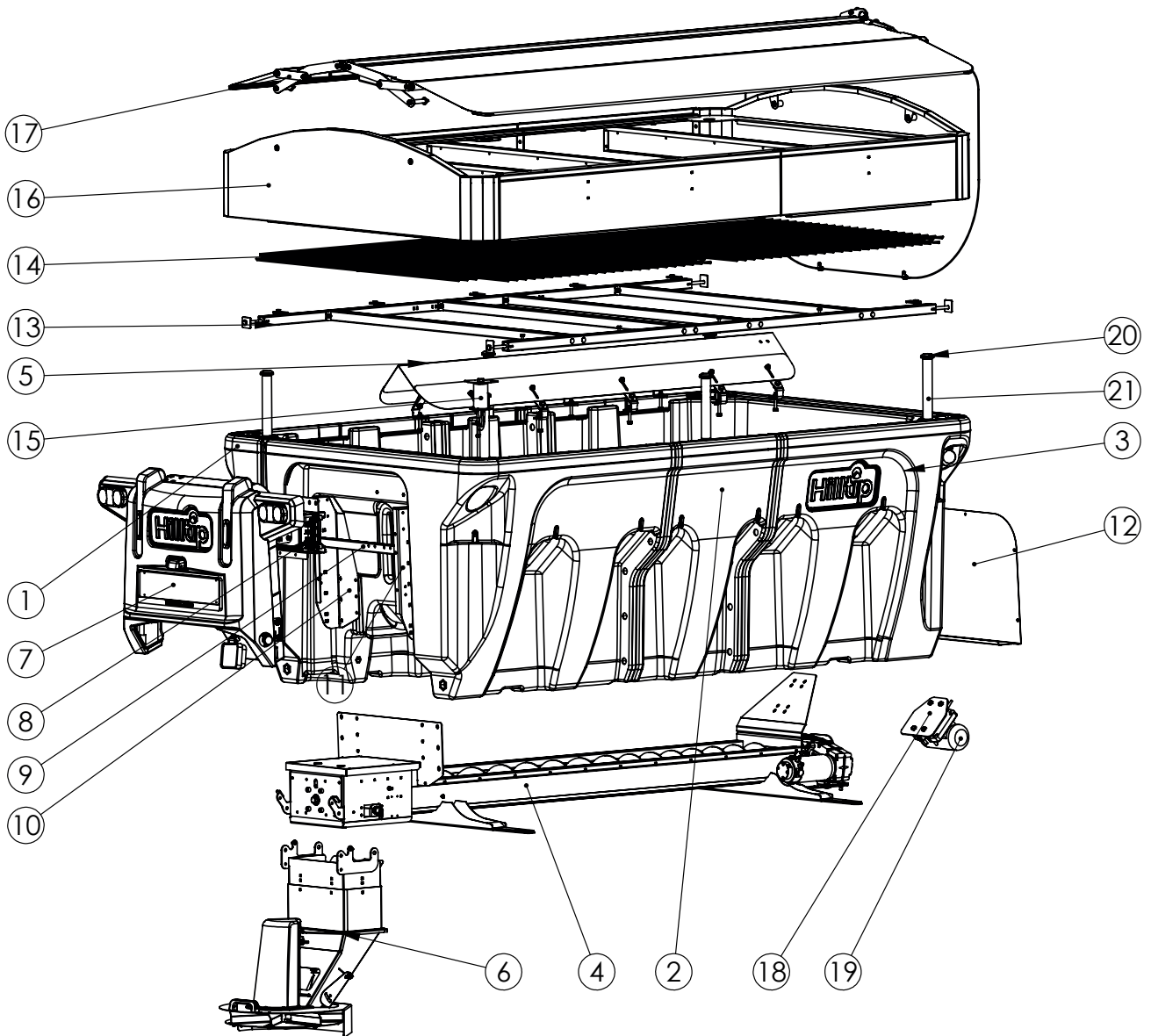


Image shows IceStriker™ 4000 AM

SPREADER ASSEMBLY 3000-5000 AM/CM

3000 AM - H40284

3000 CM - H40285

4000 AM - H40112

4000 CM - H40113

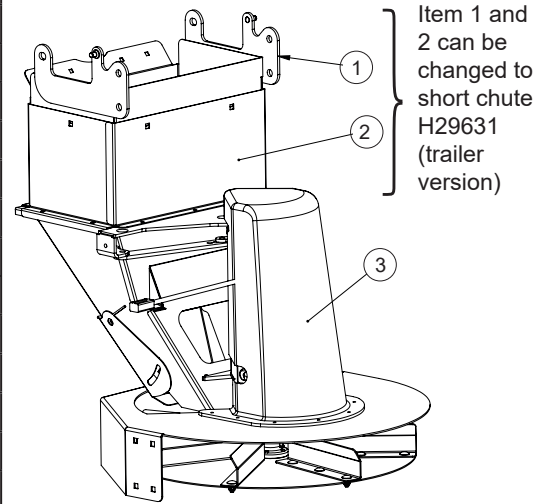
5000 CM - H40114

Item	Qty	Part no.	Description	Notes
1	1	H28030	M2 Back section. Grey, 3000-4000 AM/CM & 5000 CM	
2	2	H28031	M2 Middle section. Grey, 3000 & 4000 AM/CM	
	4	H28031	M2 Middle section. Grey x 2, 5000 CM	
3	1	H28032	M2 Front section. Grey, 3000-4000 AM/CM & 5000 CM	
4	1	H29124	3000 & 4000 AM Bottom pre assembly	See page 11
5	1	H29130	3000 & 4000 AM/CM invert vee kit	See page 16
	1	H29516	5000 CM invert vee kit	See page 16
6	1	H28324	Chute assembly 3000-5000 AM - Non-current model	See page 6
	1	H28914	Chute assembly 3000-5000 CM - Non-current model	See page 7
	1	H41450	Chute assembly 3000-5000 AM/CM - Current model	See page 8-9
7	1	H27420	Back cover assembly	See page 15
8	1	H26735	Control box pre assembly	
9	1	H27046	Bracket	
10	1	H28286	Rear side bracket left	
11	1	H28288	Rear side bracket right	
12	1	H28353	Front cover plate	
13	1	H28925	Net support frame 3000 & 4000 AM/CM	See page 17
	1	H29562	Net support frame 5000 CM	See page 17
14	2	H28929	Top Grid 3000 & 4000 AM/CM	
	2	H29565	Top Grid 5000 CM	
	1	H29566	Center Grid 5000 CM	
15	4	H28338	Spreader fastening bracket	
16	1	H29801	Extension for technical tarp 4000 AM/CM	See page 18
	1	H29802	Extension for technical tarp 5000 CM	See page 18
17	1	H29695	Tarp system mechanism 3000 & 4000 AM/CM	See page 19
	1	H40390	Tarp system mechanism 5000 CM	See page 19
18	1	H28161	Vibrator bracket	
19	1	H30317	Vibrator 12V 200kg	
	1	H30323	Vibrator 24V 200kg	
20	6	H28500	Breather valve 1"	
21	6	H28928	AM Spreader Extension corner axle	
ns	1	H27590	Spreader strap kit	

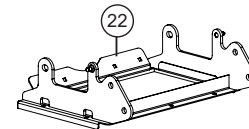
CHUTE ASSEMBLY 3000-5000 AM- H28324

Item	Qty	Part no.	Description	Note
1	1	H28290	Top chute	
2	1	H28293	Standard middle chute	
	1	H29650	Extended middle chute	
3	1	H28325	Lower chute pre-assembly	
4	1	H28326	Chute	
5	1	H27633	Spinner frame	
6	1	H22732	Gearbox	
7	1	H27381	Spinner motor cover	
8	1	H28296	Chute hatch	
9	1	H26446	Spinner assembly	Optional, see page 10
10	1	H30255	Electrical motor 12V	
	1	H27761	Electrical motor 24V	
11	1	H26949	Handle	
12	8	HF19123	ISO 7380 A4 M6x16	
13	8	HF10512	DIN 985 A4 M6	
14	2	HF19401	ISO 7380 A2 M12x25	
15	5	HF10480	Washer DIN 125 M12 A4	
16	2	HF10504	Nyloc DIN 985 M12 A4	
17	2	HF10935	Lockbolt DIN 603 A4 M8x20	
18	1	H28047	Angle adjuster Kit	
19	1	HF10389	DIN 912 M12x25 A4	
20	1	H26574	Linear actuator 60mm 24VDC	Optional
	1	H27594	Linear actuator 60mm 12VDC	Optional
21		H41513	Chute adapter Kit	Needed for AM chute H28324
21.1	2	H26730	Index plunger	
21.2	2	H41471	Distance plate	
21.3	1	H41406	Chute bracket right	
21.4	1	H41408	Chute bracket left	
21.5	6	HF10459	DIN 912 M8x25 A4	
21.6	4	HF10458	DIN 912 A4 M8x20	
21.7	10	HF10513	Nylock nut DIN 985 M8 A4-80	
22	1	H29631	Short chute (trailer version)	

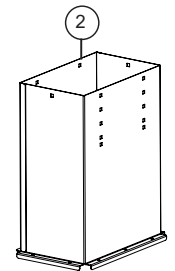
NOTE! Non-Current production model from May 2022.



Short chute (Trailer version)

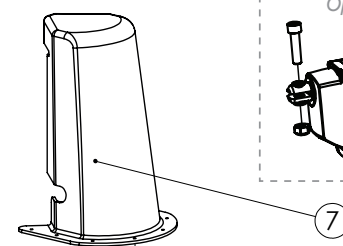
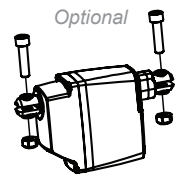


Extended chute



20

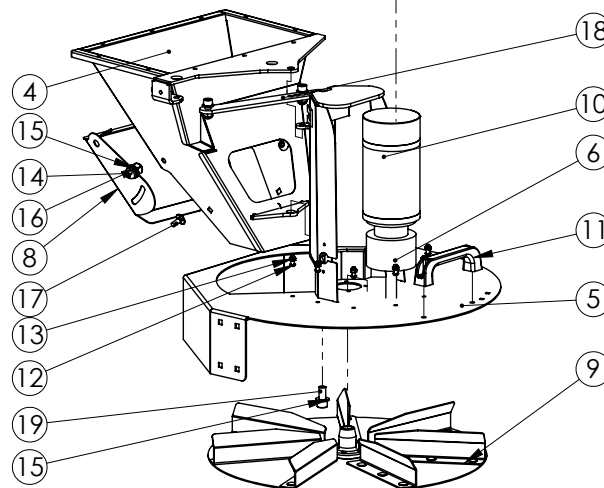
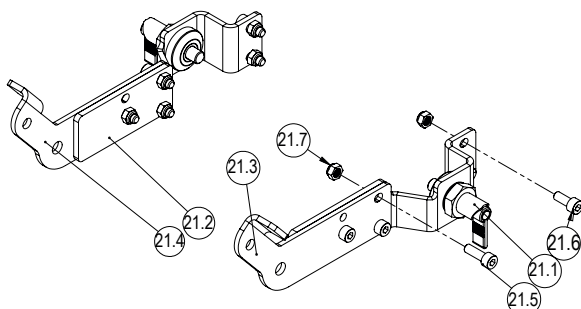
Optional



NOTE! Chute adapter kit H41513 needed for AM spreaders with non-current chute model H28324 to fit the current chute model H41450.

Applies to AM spreaders produced before June 2022.

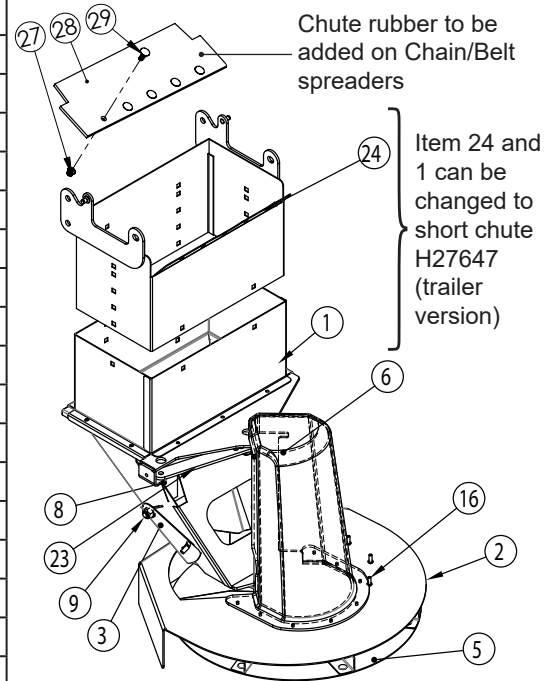
Serial number: → XXXXX.20220603.010663



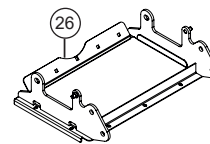
CHUTE ASSEMBLY 3000-5000 CM - H28914

Item	Qty	Part no.	Description	Note
1	1	H26455	Short chute	
	1	H27293	Extended chute	
2	1	H27633	Spinner frame	
3	1	H27638	Chute gate plate	
4.1	1	H26574	Linear actuator 60mm 24VDC	Optional
4.2	1	H27594	Linear actuator 60mm 12VDC	Optional
5	1	H26446	Spinner assembly	See page 10
6	1	H27381	Spinner motor cover	
7	2	HF10382	Hexagon socket head bolt	
8	2	HF10503	Lock nut M10	
9	2	HF19401	ISO 7380 A2 M12x25	
10	5	HF10480	Washer DIN 125 M12 A4	
11	2	HF10504	Nyloc DIN 985 M12 A4	
12	2	HF10935	Lockbolt M8x20 A4 ISO 8677	
13	2	HF19342	DIN 6923 M8 A4	
14	1	HF10389	DIN 912 M12x25 A4	
15	1	HF10390	DIN 912 M12x30 A4	
16	8	HF19123	ISO 7380 A4 M6x16	
17	8	HF10512	LOCK NUT M6 A4 DIN985	
18	1	H22732	Gearbox	
20.1	1	H30255	Electrical motor 12V	
20.2	1	H27761	Electrical motor 24V	
21	4	HF10501	Washer M6 A4 DIN 127	
22	4	HF10438	In Hex Bolt M6x16 DIN 4762 A4	
23	1	H28047	Angle adjuster Kit	
24	1	H26716	Adjustable standard top chute	
25	1	H27625	Lower chute	
26	1	H27647	Short chute (trailer version)	
27	5	HF15375	Locknut DIN 6926 8.8Zn M6	
28	1	H40925	Chute rubber 110 x 350 x 5	Chain/Belt spreaders
29	5	HF10930	DIN 603 A4 M6x20	

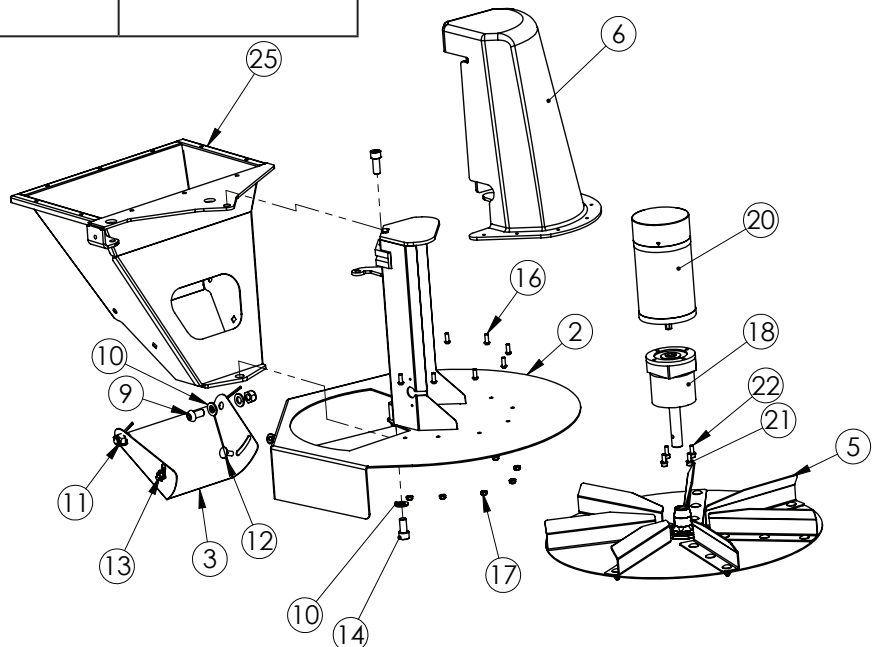
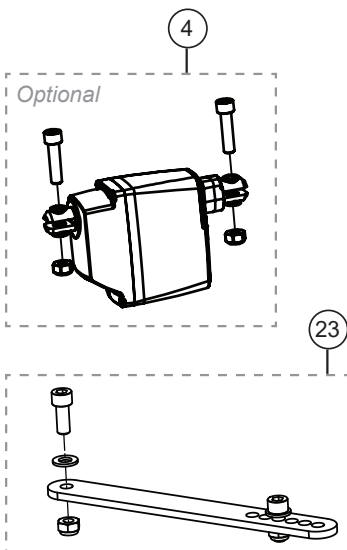
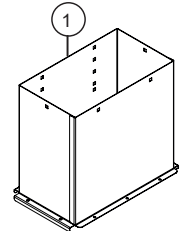
NOTE! Non-current production model from May 2022.



Short chute (Trailer version)



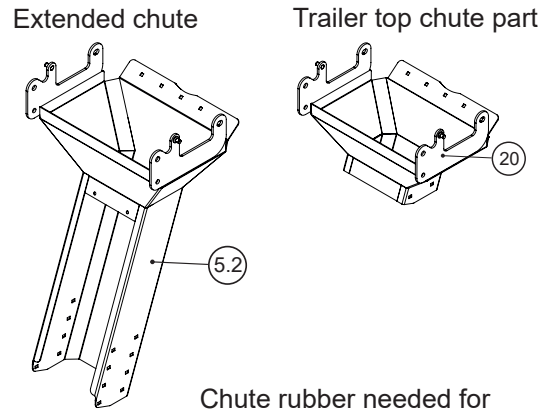
Extended chute



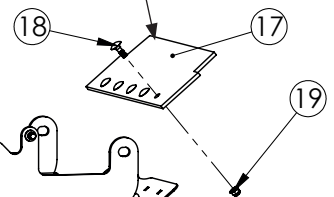
CHUTE ASSEMBLY 3000-5000 AM/CM - H41450

Item	Qty	Part no.	Description	Note
1	1	H41310	Lower chute welded	
2	1	H41247	Spinner cover	
3	1	H41470	Spinner motor cover	
4	1	H41411	Plate	
5.1	1	H41365	Top standard chute	
5.2	1	H41509	Extended chute	
6	1	H41412	Chute bracket	
7	1	H26949	Handle	
8	1	H41376	Adjuster plate	
9	1	H24346	Spinner plate assembly	
10	1	H41318	Gearbox plastic spacer	
11	1	H22732	Gearbox	
12	1	H30255	Electrical motor 12V	
	1	H27761	Electrical motor 24V	
13	1	H21756	Bush	
14	1	H29434	Adjuster arm	
15	4	H41302	Friction plug	
16	1	H41384	Distance 5mm	
17	1	H40925	Chute rubber	For chain spreaders
18	5	HF10930	DIN 603 A4 M6x20	
19	5	HF19385	Locknut DIN 6926 A4 M6	
20	1	H41480	Trailer top chute part	
21	1	H41513	Chute adapter Kit	Needed for AM spreaders with H28324 chute model
21.1	2	H26730	Index plunger	
21.2	2	H41471	Distance plate	
21.3	1	H41406	Chute bracket right	
21.4	1	H41408	Chute bracket left	
21.5	6	HF10459	DIN 912 M8x25 A4	
21.6	4	HF10458	DIN 912 A4 M8x20	
21.7	10	HF10513	Nylock nut DIN 985 M8 A4-80	

NOTE! Current production model from May 2022.
Serial number:
XXXXX.20220518.010573 →

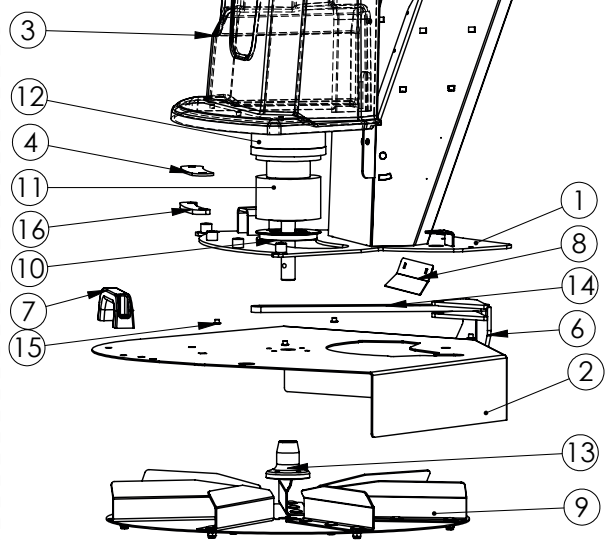
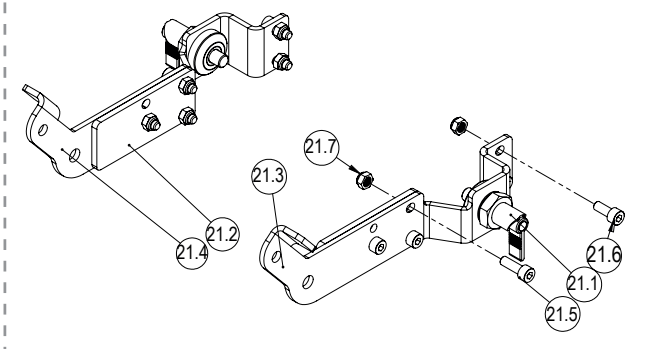


Chute rubber needed for chain spreaders



NOTE! Chute adapter kit H41513 needed for AM spreaders with non-current chute model H28324 to fit the current chute model H41450.

Applies to AM spreaders produced before June 2022.
 Serial number: → XXXXX.20220603.010663

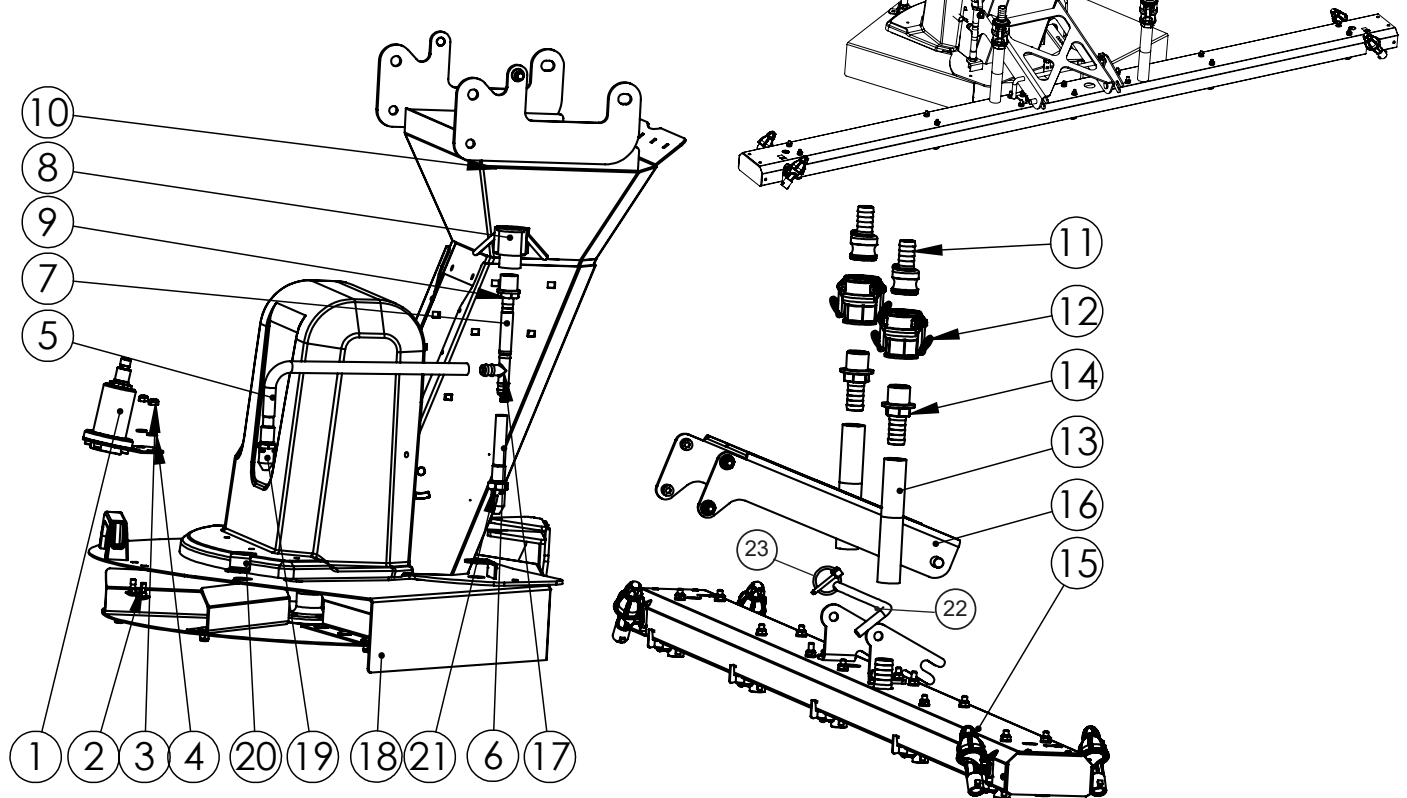
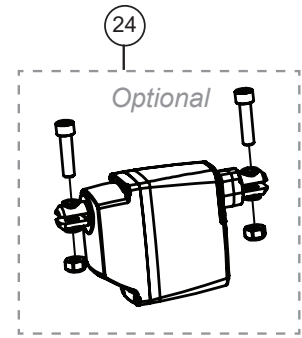


See chute assembly with options on next page →

CHUTE ASSEMBLY WITH OPTIONS - H41450

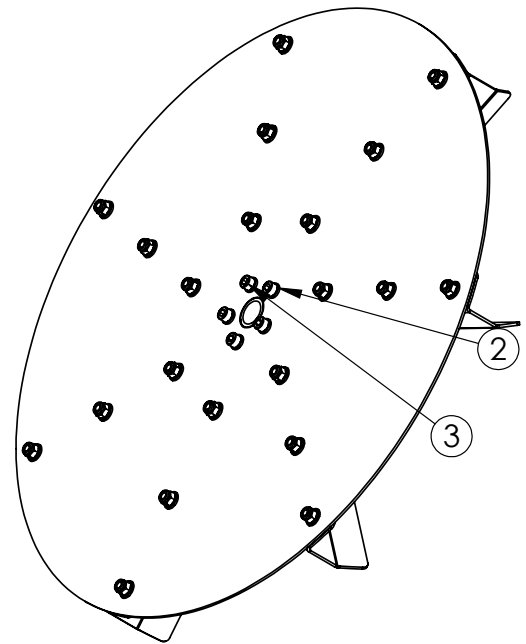
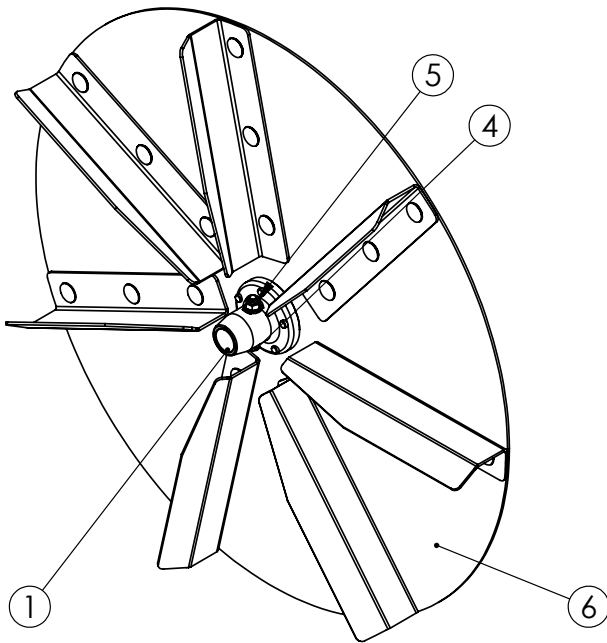
Item	Qty	Part no.	Description	Note
1	1	H27706	EOM Sensor kit	Optional, see page 10
2	2	HF10929	Lockbolt DIN603 M6x16 A4	
3	2	HF10512	Lock nut M6 A4 DIN985	
4	2	HF10501	Washer M6 A4 DIN 127	
5	1	-	13 mm hose	
6	1	-	13 mm hose	
7	1	-	13 mm hose	
8	1	H22601	Camlock 1/2" female	
9	1	H22954	Straight hose fitting G 1/2-13	
10	1	H22602	Camlock 1/2" Hose ø13	
11	2	H22934	Camlock E 3/4" Hose ø19	
12	2	H22935	Camlock D 3/4" G3/4	
13	2	-	19 mm hose	
14	2	H24599	Straight hose fitting G3/4-20	
15	1	H24582	Spraybar - Brine spreader	Optional, see page 22
16	1	H41369	Spraybar bracket kit	Optional
17	1	H41368	Tee connector	
18	1	H41450	Chute assembly	
19	1	H25839	Nozzle	
20	1	H41373	PW Bracket	
21	1	H41410	QD nozzle 6mm	
22	1	H40225	Locking pin	
23	1	H28829	Linch pin SS 4,5mm	
24	1	H29861	Linear actuator 85 mm 24V	Optional
	1	H29860	Linear actuator 85 mm 12V	Optional

NOTE! Current production model from May 2022.
Serial number:
XXXXX.20220518.010573 →



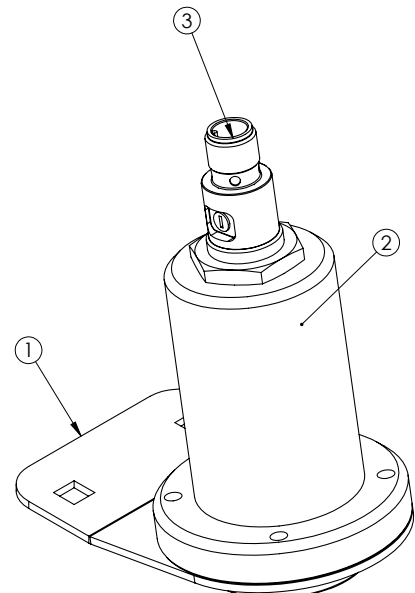
SPINNER ASSEMBLY - H26446

Item	Qty	Part no.	Description
1	1	H21756	Bush
2	5	HF10501	Washer M6 A4 DIN 127
3	5	HF10438	In Hex Bolt M6x16 DIN 4762 A4 In
4	1	HF10443	M6x40 DIN 4762 A4
5	1	HF19385	Lock nut DIN 6926 A4 M6
6	1	H24346	Spinner plate assembly



END OF MATERIAL SENSOR KIT, OPTIONAL - H27706

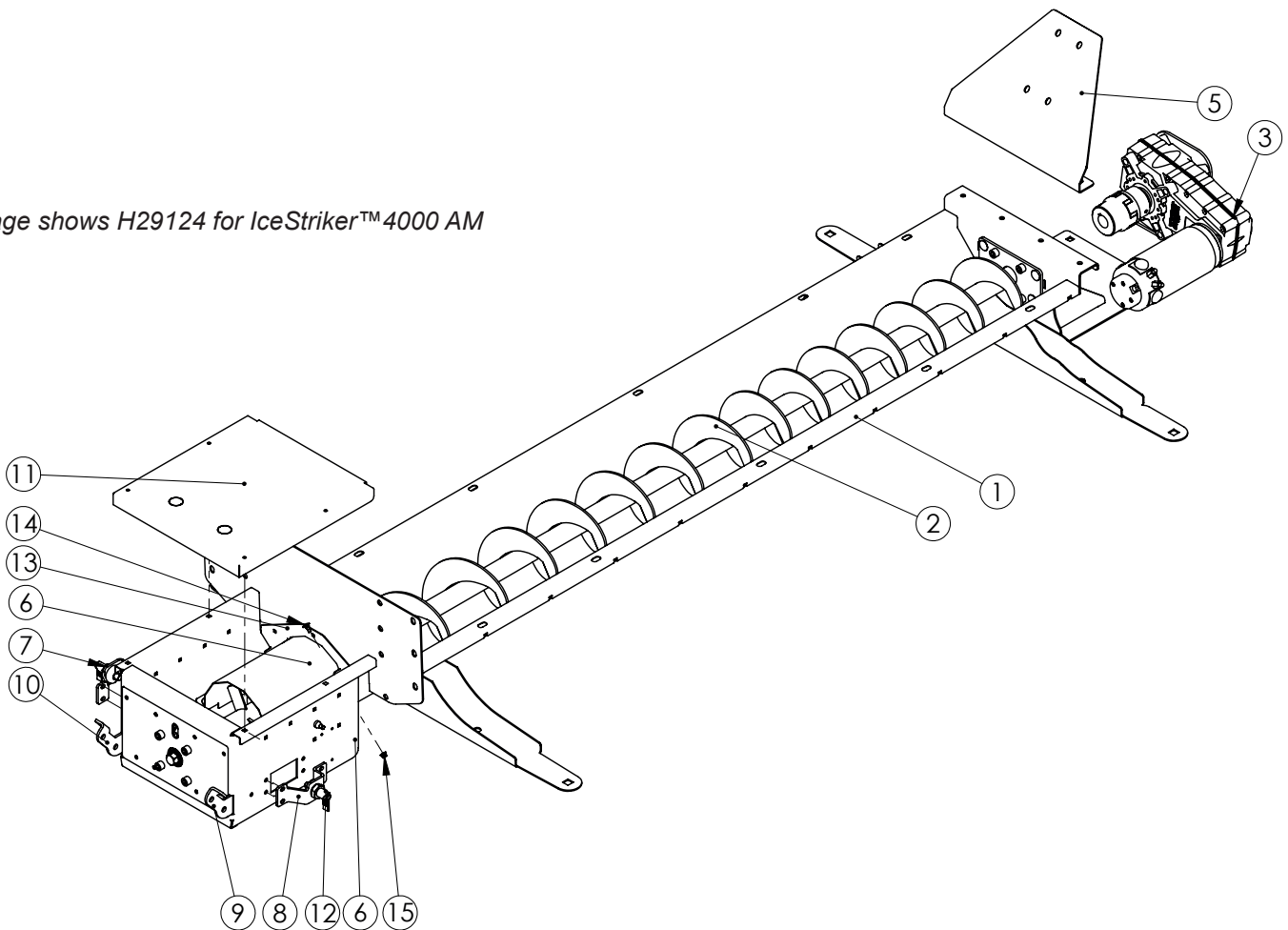
Item	Qty	Part no.	Description
1	1	H28019	Sensor bracket
2	1	H28020	Sensor cover
3	1	H28017	EOM sensor
ns	1	H30237	EOM sensor cable



AUGER BOTTOM PRE-ASSEMBLY 3000-4000 CM - H29124

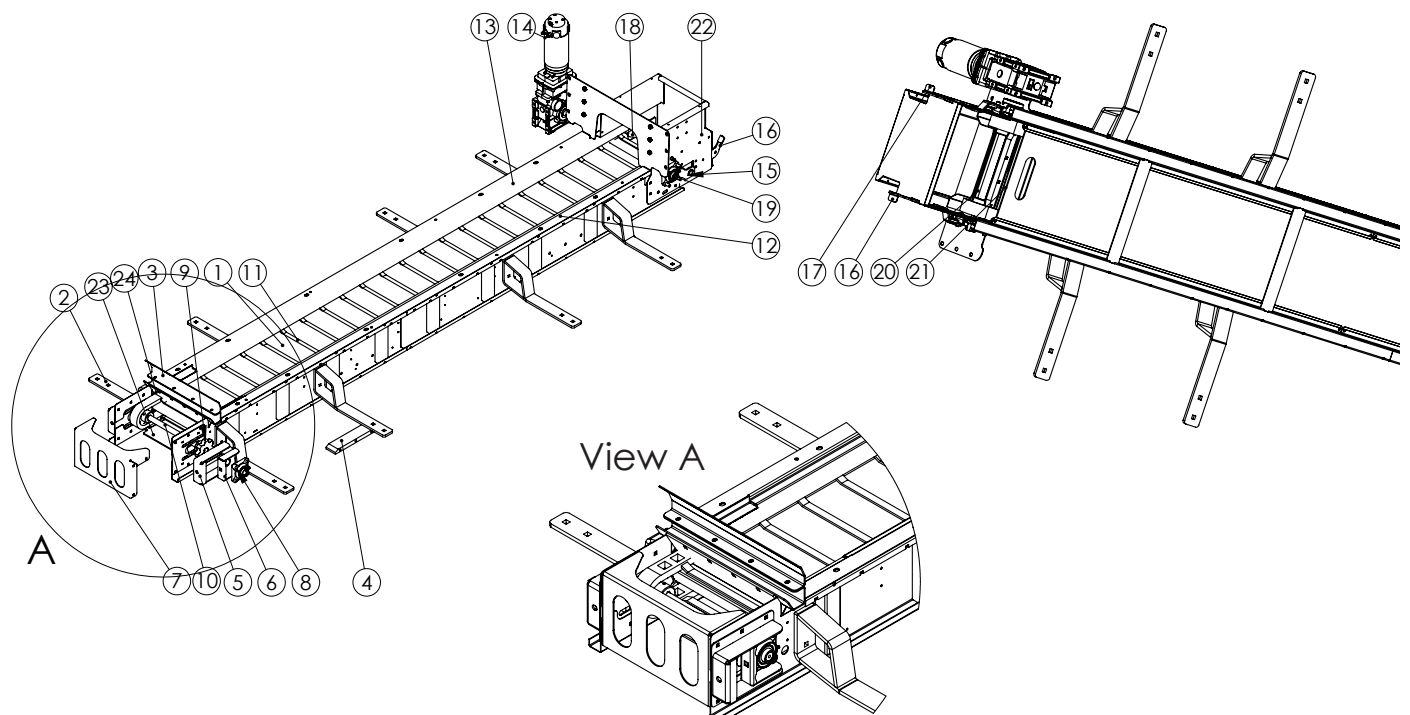
Item	Qty	Part no.	Description
1	1	H29125	Bottom 3000 AM & 4000 AM
2	1	H29127	Auger pre-assembly 3000 AM & 4000 AM
3	1	H27438	Auger gearbox pre-assembly
4	1	H28276	Rear end
5	1	H28280	Front vibrator plate
6	1	H28281	Salt stop kit short
7	1	H28165	Locking bracket Left
8	1	H28163	Locking bracket Right
9	1	H28167	Stopper bracket Left
10	1	H28168	Stopper bracket Right
11	1	H28284	Cover plate
12	2	H26730	Index plunger
13	1	H28437	Reduction plate
14	2	HF10929	Lockbolt DIN603 M6x16 A4
15	2	HF19412	Flange nyloc DIN 6926 A4 M6

Image shows H29124 for IceStriker™ 4000 AM



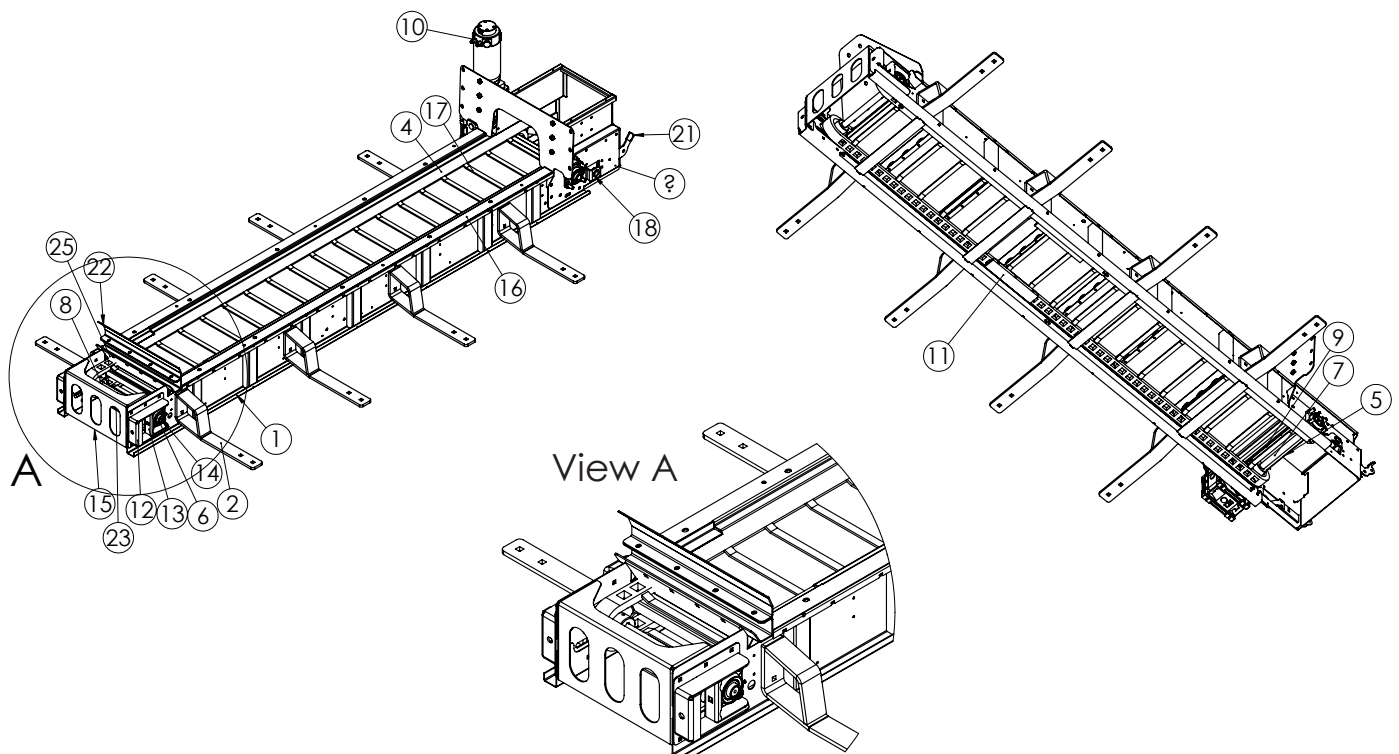
CHAIN BOTTOM PRE-ASSEMBLY 5000 CM - H40388

Item	Qty	Part no.	Description	Note
1	1	H40420	Welded bottom 5000 CM	
2	8	H29500	Bed support arm	
3	1	H40449	Plate	
4	4	H40448	Plastic chain glide	
5	2	H29403	Front bracket	
6	2	H26358	Bracket	
7	1	H29939	Stiffening bracket	
8	4	H26316	Flange bearing UCF205 Stainless	
9	4	H40226	662-7T pintle sprocket machined 25mm	
10	1	H40338	Axle	
11	1	H29995	Conveyor chain 662 12"/150 link, 5000 CM	
	1	H40652	Conveyor chain 662, 12" 177 link, 5000 CM with extended bottom	
	1	H41394	Conveyor chain SS, 12" 150 link, 5000 CM	Optional
	1	H41395	Conveyor chain SS 12" 177 link, 5000 CM with extended bottom	Optional
12	1	H40817	Chain cover left	
13	1	H40816	Chain cover right	
14	1	H27313	Chain Motor gearbox assembly	See page 14
15	1	H40809	Locking bracket Left	
16	1	H28168	Stopper bracket Right	
17	1	H28167	Stopper bracket Left	
18	1	H40807	Locking bracket Right	
19	1	H26633	Roller axle	
20	1	H40550	Plate	
21	1	H40613	Brush	
22	1	H40456	Rear extension	
23	1	H29496	Plastic drip sheet	
24	1	H40874	Front rubber strip	



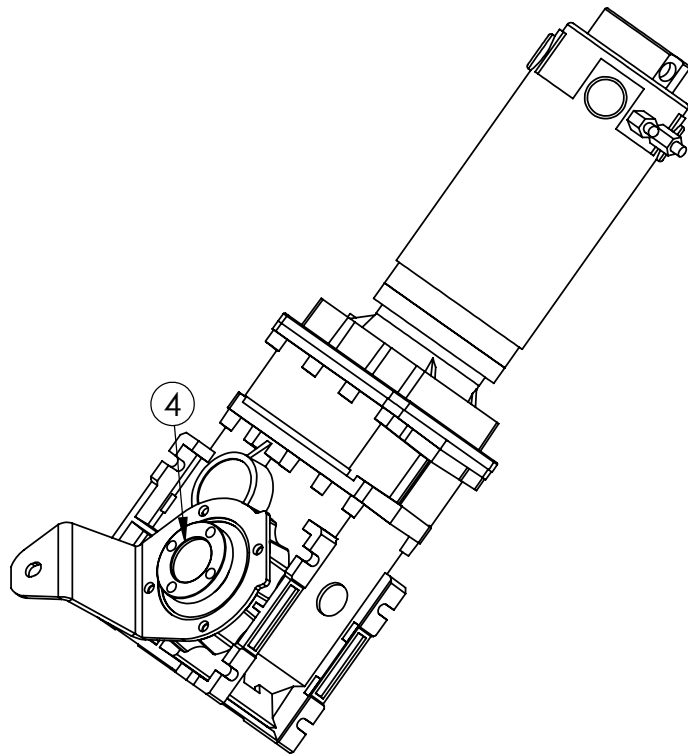
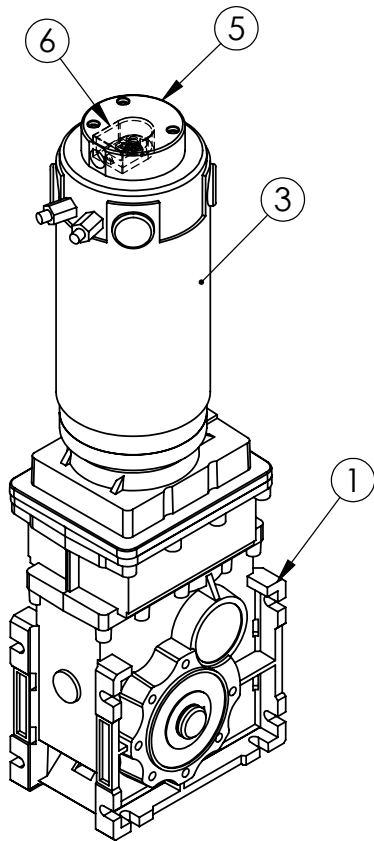
CHAIN BOTTOM PRE-ASSEMBLY 3000-4000 CM - H40630

Item	Qty	Part no.	Description	Note
1	1	H40620	Welded bottom, 3000-4000 CM	
2	8	H29500	Bed support arm, 3000-4000 CM	
3	1	H40456	Rear extension	
4	1	H40814	Chain cover right	
5	1	H40550	Plate	
6	4	H26316	Flange bearing UCF205 Stainless	
7	1	H26633	Roller axle	
8	4	H40226	662-7T pintle sprocket machined 25 mm	
9	1	H40613	Brush	
10	1	H27313	Chain motor gearbox assembly	See page 14
11	2	H40448	Plastic chain glide	
12	2	H29403	Front bracket	
13	2	H26358	Bracket	
14	1	H40338	Axle	
15	1	H29939	Stiffening bracket	
16	1	H40815	Chain cover left	
17	1	H40644	Conveyor chain 662 12"/120 link, 3000-4000 CM	
	1	H41392	Conveyor chain SS, 12" 120 link, 3000-4000 CM	Optional
18	1	H40809	Locking bracket Left	
19	1	H40807	Locking bracket Right	
20	1	H28167	Stopper bracket Left	
21	1	H28168	Stopper bracket Right	
22	1	H40449	Plate	
23	1	H29602	Plastic drip sheet, 3000-4000 CM	
24	1	H41388	Chain bracket	
25	1	H40874	Front rubber strip	



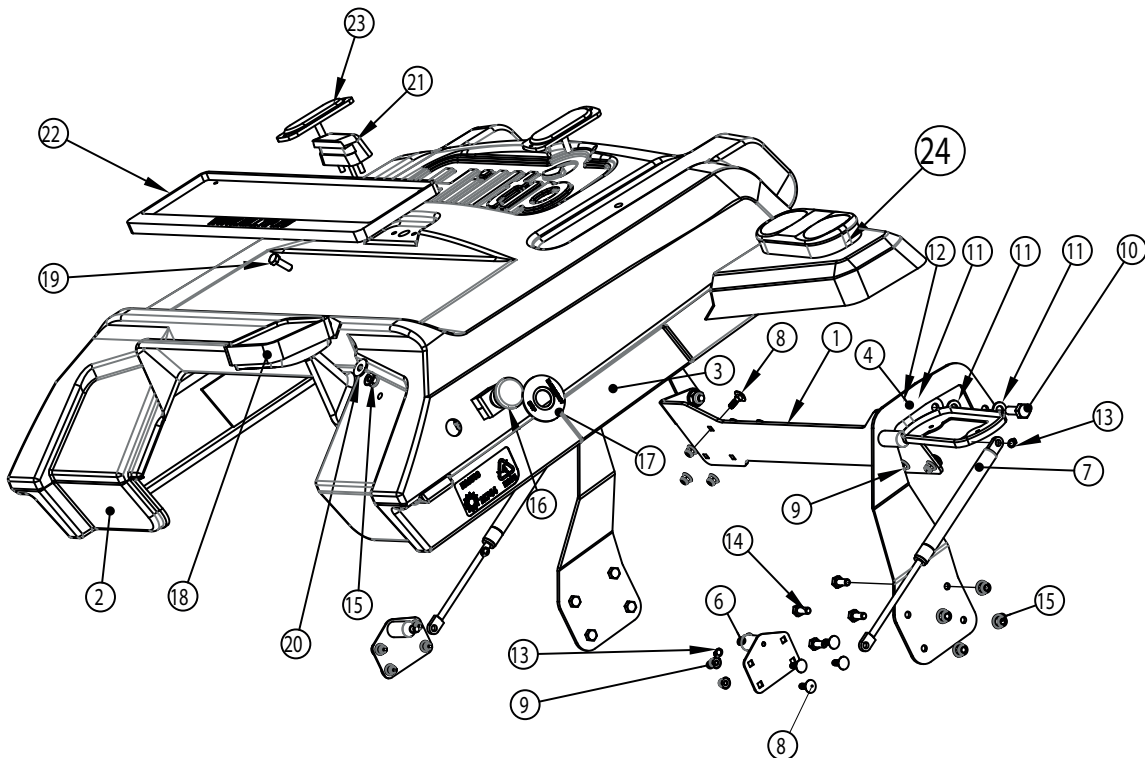
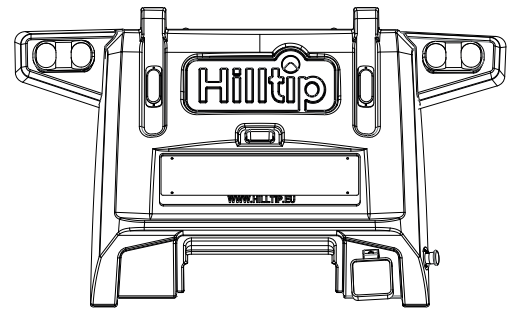
CHAIN MOTOR GEARBOX ASSEMBLY - H27313

Item	Qty	Part no.	Description	Note
1	1	H27314	Helical bevel gearbox 633U	
3	1	H27315	Motor 12V	
	1	H27316	Motor 24V	
4	1	H26635	Gearbox axle	
5	1	H25898	Sensor cover	
6	1	H25960	Encoder	



BACK COVER ASSEMBLY - H27420

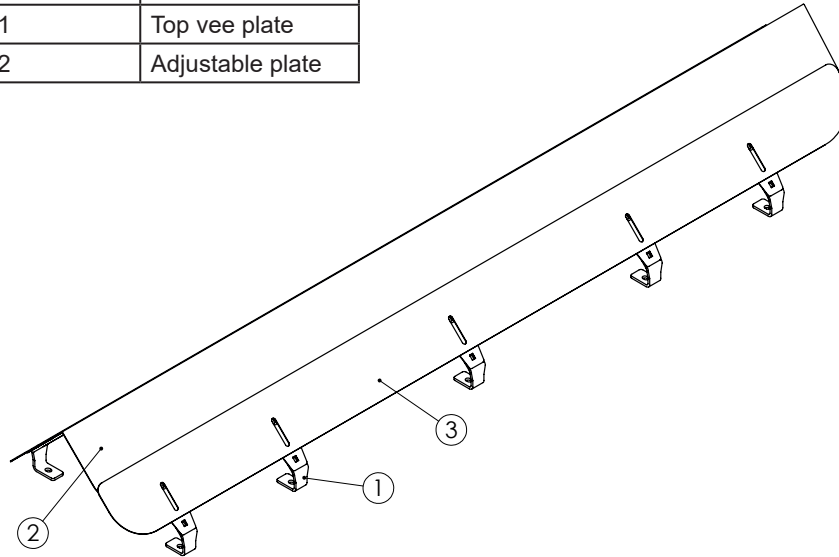
Item	Qty	Part no.	Description	
1	1	H26408	Left hinge	
2	1	H26513	Rear hatch	
3	1	H26805	Hinge bracket left	
4	1	H26806	Hinge bracket right	
6	1	H26814	Bracket pair	
7	2	H26688	Gas spring 120-250N	
8	14	HF10930	DIN 603 A4 M6x20	
9	14	HF19385	Locknut DIN 6926 A4 M6	
10	2	HF10674	Hex Bolt M10x30	
11	6	HF10479	Washer	
12	2	HF10503	Lock nut M10	
13	4	HF19404	Axle circlip DIN 471 A2 8x0,8	
14	8	HF10743	Hex Bolt M8x20	
15	9	HF19405	Flange nyloc A4 M8	
16	1	H22220	Emergency stop button	
17	1	H27644	Emergency stop protective cover	
18	1	H26681	LED Work light (WhiTE)	Optional
	1	H21864	LED Work light (RED)	Optional
19	1	HF10744	Hex Bolt M8x25	
20	1	HF10533	Washer DIN 9021 M8 A4	
21	1	H27377	LED Licence plate light	Optional
22	1	H22247	License plate holder plastic	Optional
23	2	H27378	LED Strobe warning light yellow	Optional
24	1	H26680	LED Rear light kit (see page 36)	Optional



INVERT VEE KIT

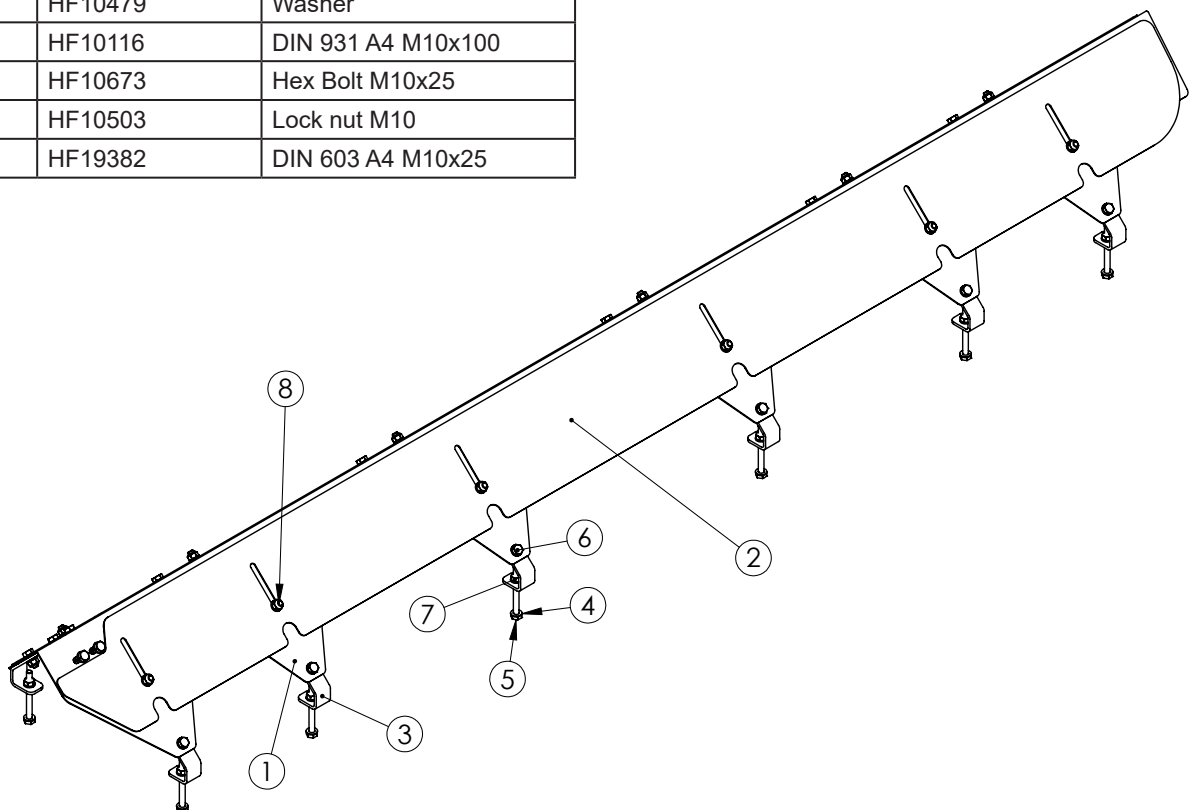
3000 & 4000 AM/CM - H29130

Item	Qty	Part no.	Description
1	10	H28335	Bracket
2	1	H29131	Top vee plate
3	2	H29132	Adjustable plate



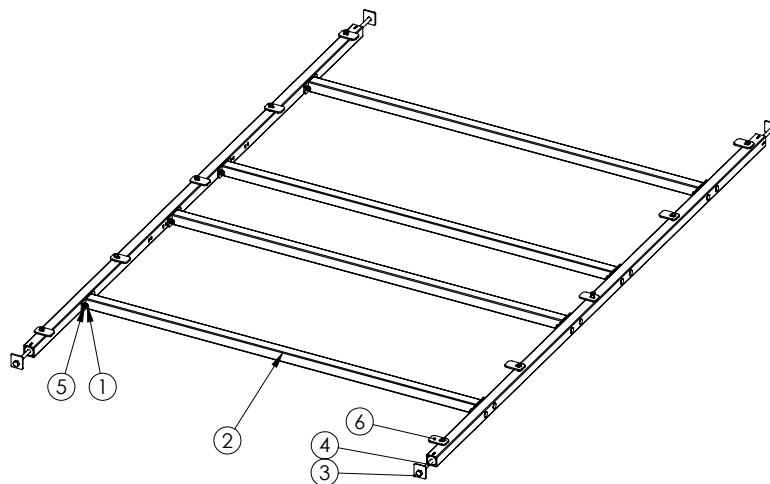
5000 CM - H29516

Item	Qty	Part no.	Description
1	1	H29517	Vee plate
2	2	H29518	nv V gate plate
3	6	H26369	Bracket
4	68	HF10479	Washer
5	12	HF10116	DIN 931 A4 M10x100
6	16	HF10673	Hex Bolt M10x25
7	40	HF10503	Lock nut M10
8	12	HF19382	DIN 603 A4 M10x25



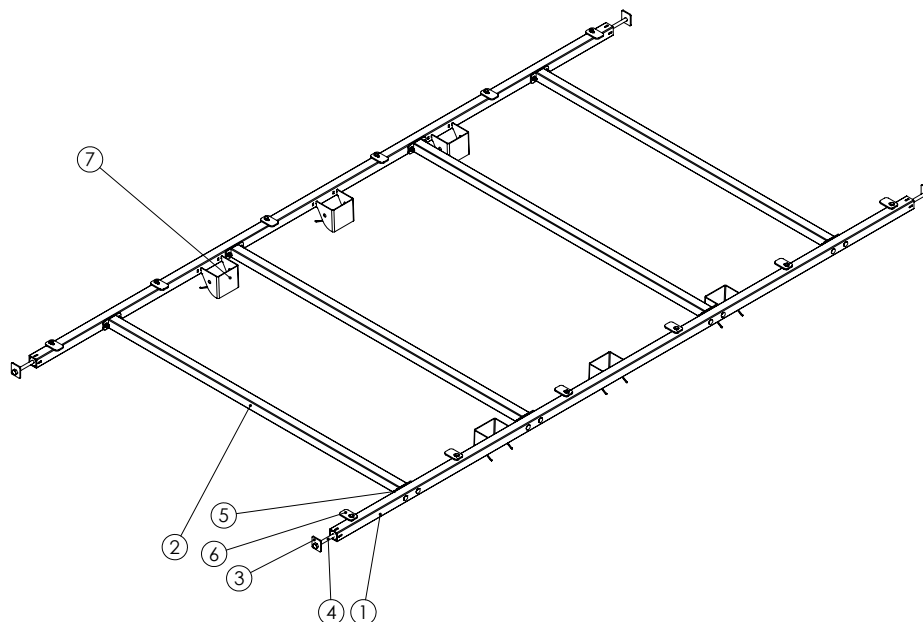
NET SUPPORT FRAME 3000 & 4000 AM/CM - H28925

Item	Qty	Part no.	Description
1	2	H28922	Side pipe L/R
2	2	H28348	Cross pipe
3	4	H28351	Washer
4	4	HF19142	Bolt DIN931 A2 M12x110
5	1	HF19405	Flange nyloc A4 M8
6	8	H21763	Bracket



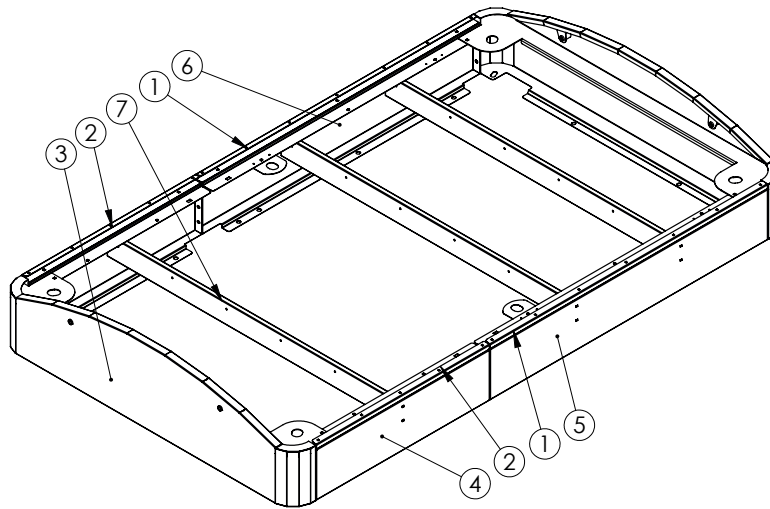
NET SUPPORT FRAME 5000 CM - H29562

Item	Qty	Part no.	Description
1	2	H29563	Side pipe L/R
2	4	H28348	Cross pipe
3	4	H28351	Washer
4	4	HF19142	Bolt DIN931 A2 M12x110
5	16	HF19405	Flange nyloc A4 M8
6	12	H21763	Bracket
7	6	H28352	Locking bracket



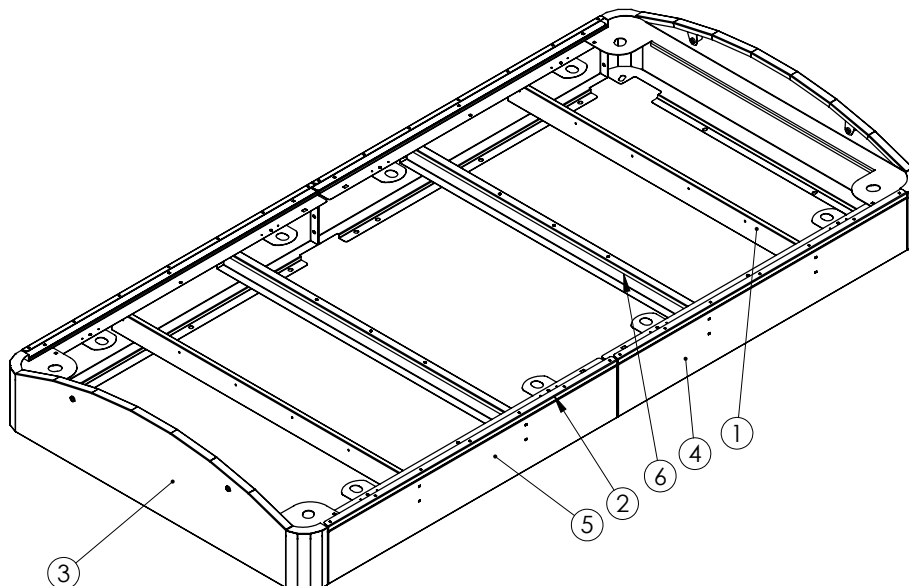
SPREADER EXTENSION 4000 AM/CM - H29801

Item	Qty	Part no.	Description
1	2	H29813	Side fastener long
2	2	H29812	Side fastener short
3	2	H29803	Short side for mechanical tarp
4	2	H29810	Short extension
5	1	H29808	Long extension
6	1	H29808	Long extension
7	3	H27175	Bracket



SPREADER EXTENSION 5000 CM - H29802

Item	Qty	Part no.	Description
1	2	H27175	Bracket
2	4	H29813	Side fastener long
3	2	H29803	Short side for mechanical tarp
4	2	H29808	Long extension
5	2	H29808	Long extension
6	2	H40897	Cross beam bracket

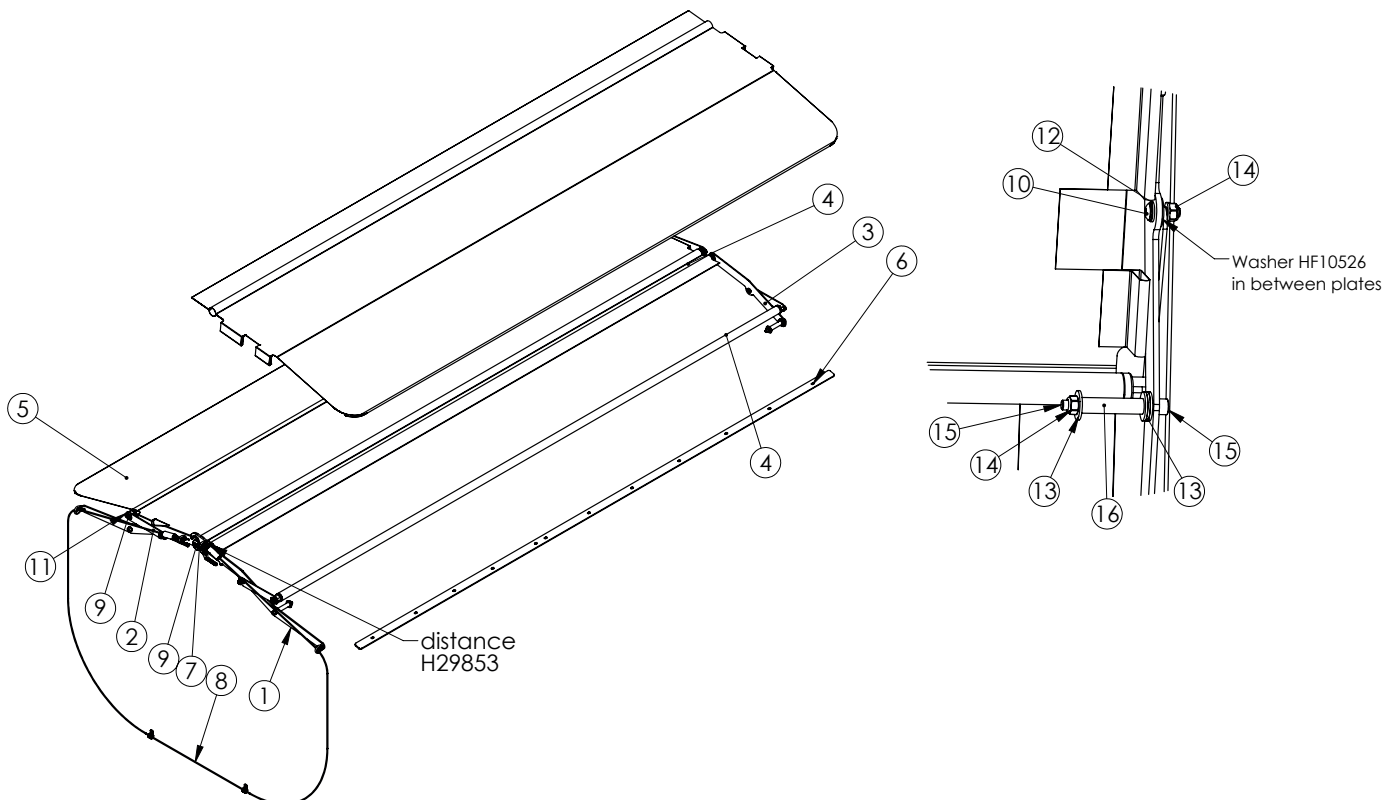


TARP ASSEMBLY

3000 AM/CM & 4000 AM/CM - H28932

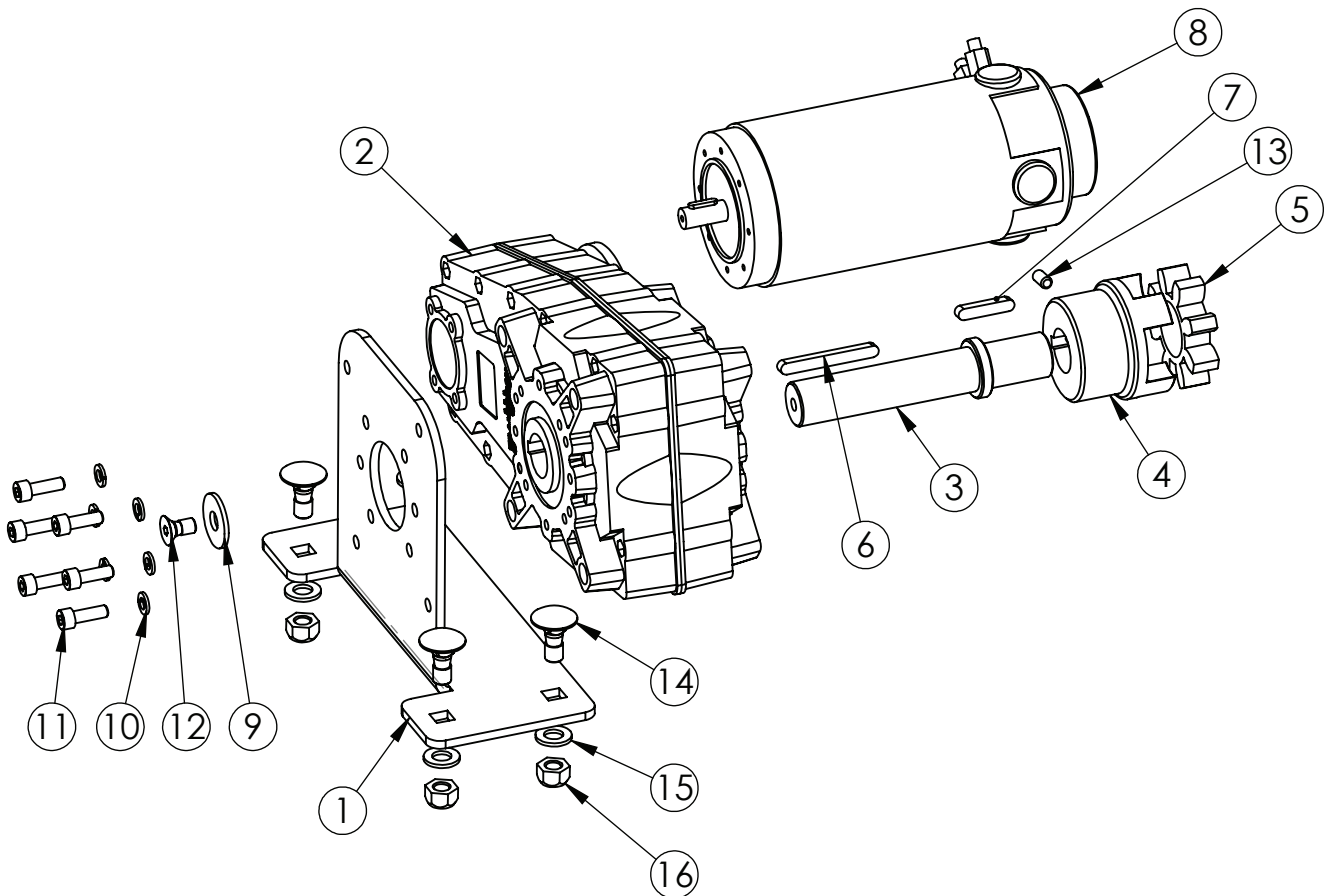
5000 CM - H40390

Item	Qty	Part no.	Description
1	2	H26435	Plate
2	4	H26436	Plate
3	2	H27012	Plate
4	4	H29697	Tarp pipe
5	2	H29700	Tarp half for 3000 & 4000 AM/CM
	2	H40395	Tarp half for 5000 CM
6	2	H29701	Tarp side plate
	4	H40396	Tarp side plate
7	2	H27271	Bush
8	1	H27675	Wire assembly
9	16	HF11010	Hexagon socket head bolt
10	4	HF19411	ISO 7380 A4 M10x30
11	16	HF10493	Lock washer
12	12	HF10479	Washer, 3000 & 4000 AM/CM
	16		Washer, 5000 CM
13	20	HF10526	Washer DIN 9021 A4 M10
14	8	HF10503	Lock nut M10
15	4	HF10377	DIN 912 A4 M10x100
16	4	H27782	Bush
17	4	H29853	Tarp pipe Distance



AUGER GEARBOX PRE-ASSEMBLY - H27438

Item	Qty	Part no.	Description
1	1	H26582	Bracket
2	1	H26726	Auger gearbox
3	1	H26636	Auger gearbox axle
4	1	H26722	Axle coupling half
5	1	H26721	Axle coupling flex element
6	1	H27449	Parallel key 8x7x70
7	1	H27448	Parallel key 8x7x40
8	1	H26727	Auger motor 3000, 4000, 12V with encoder
	1	H30322	Auger motor 3000, 4000, 24V with encoder
9	1	HF10527	Washer DIN 9021 A4 M12
10	6	HF10502	DIN 127B M8 A4
11	6	HF10459	DIN 912 M8x25 A4
12	1	HF10876	DIN 7991 A4 M10x20
13	1	HF14323	Set screw DIN 913 M8x16
14	4	HF19407	DIN 603 A4 M12x30
15	4	HF10480	Washer DIN 125 M12 A4
16	4	HF10504	Nyloc DIN 985 M12 A4



AUGER SCREW PREASSEMBLY 3000-4000 AM - H29127

Item	Qty	Part no.	Description
1	1	H28274	Bearing bracket
2	2	H26719	Flange bearing stainless UCF 206
3	1	H29128	Short Auger 4000AM
4	1	H27448	Parallel key 8x7x40 P
5	1	H26722	Axle coupling half
6	1	HF14323	Set screw DIN 913 M8x16
7	1	H28273	Plate
8	8	HF10392	DIN 912 A4 M12x40
9	8	HF10480	Washer DIN 125 M12 A4
10	8	HF10504	Nyloc DIN 985 M12 A4
11	1	HF19408	Axle circlip DIN 471 A2 30x1,5
12	1	HH16082	Straight CL hose adapter 6/M6
13	1	HH12118	Lubrication nipple 45 degree M6
14	4	HF19406	DIN 6926 A4 M10

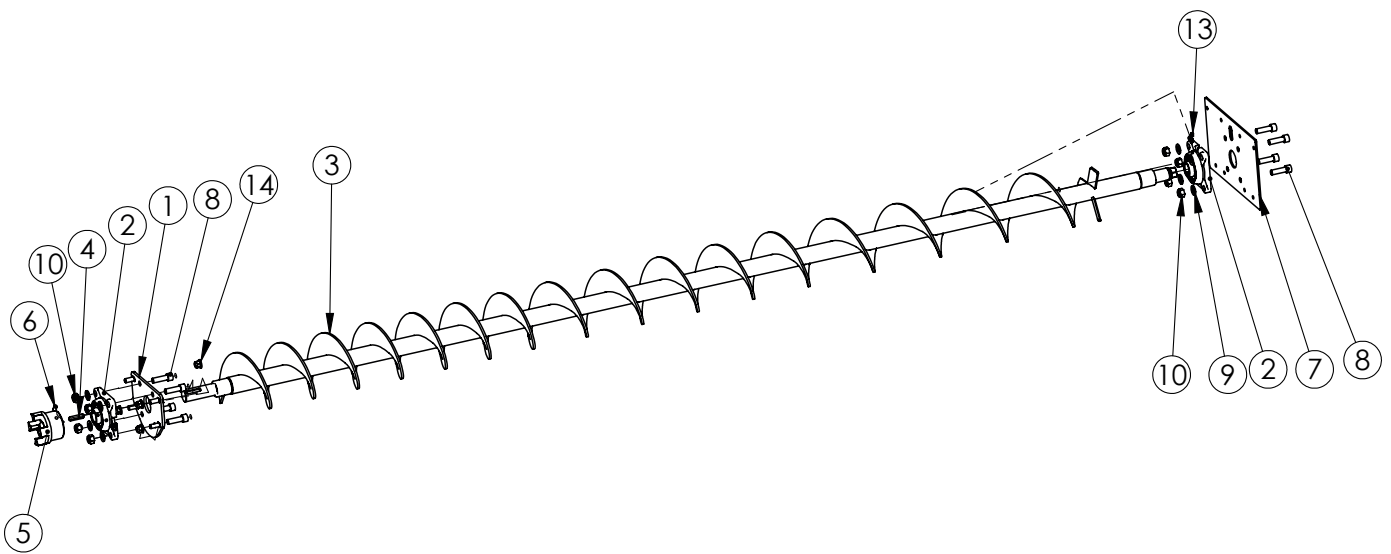
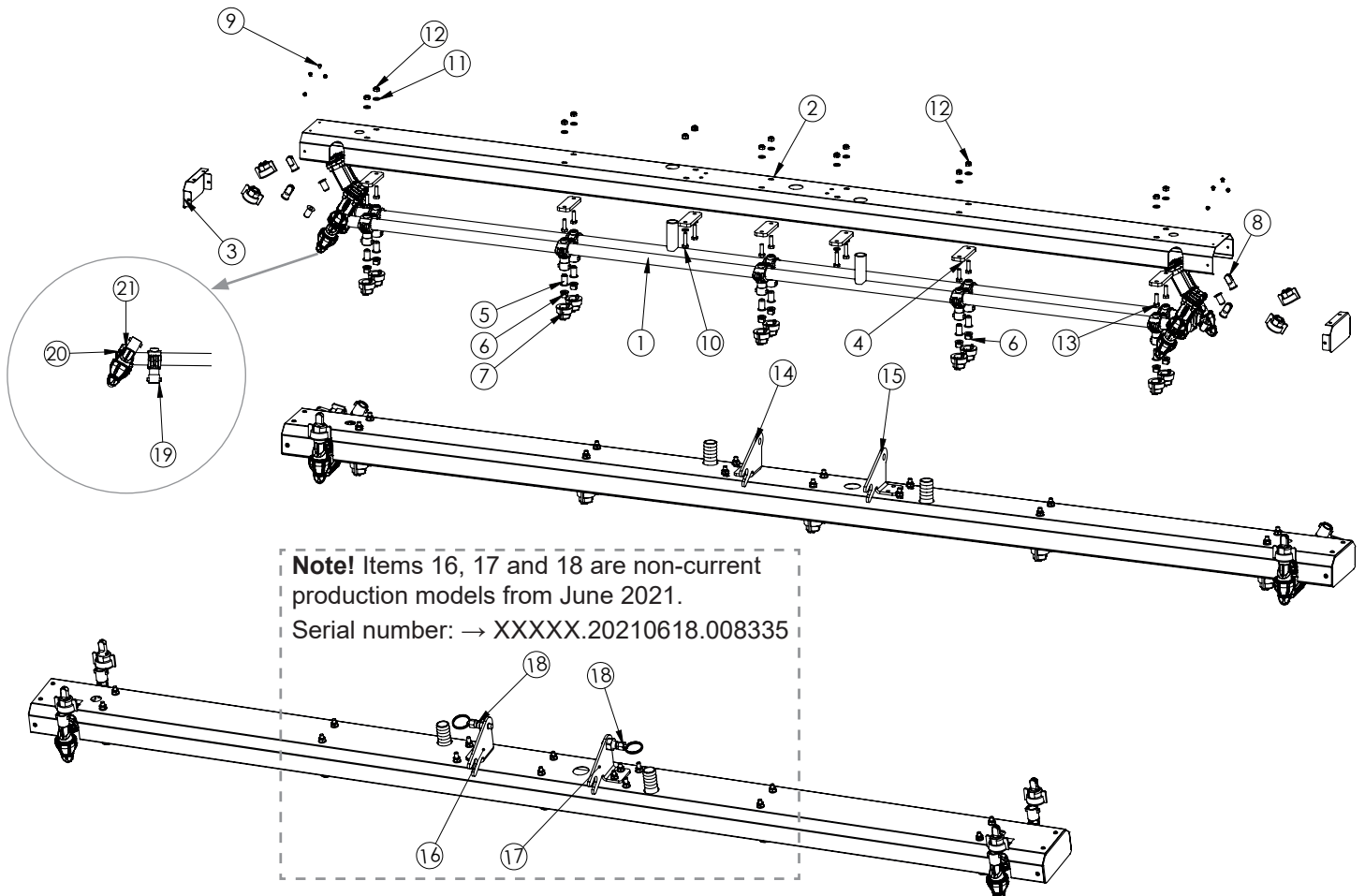


Image shows H29127 for IceStriker™ 4000 AM

FOR OPTIONAL LIQUID SYSTEM
SPRAYBAR - H24582

Item	Qty	Part no.	Description	Notes
1	2	H24613	Spray bar pipe	
2	1	H24583	Cover plate	
3	2	H24584	End plate	
4	7	H24585	Shim plate	
5	14	H22612	Nozzle filter	
6	10	H22608	Nozzle Flat spray	Standard
	10	H22606	Nozzle 3 spray	Optional
7	14	H22613	Nozzle cap	
8	4	H22609	Nozzle boom ext. type	
9	8	HF19360	Blind rivet 3,2x6 A4	
10	4	HF10733	Hex Bolt M6x25	
11	18	HF10491	Washer	
12	14	HF10512	Lock nut M6 A4 DIN985	
13	10	HF10732	Hex Bolt M6x20	
14	1	H22597	Spraybar attachment plate left	
15	1	H22599	Spraybar attachment plate right	
16	1	H22596	Spraybar attachment plate left	Non-current production model from June 2021
17	1	H22598	Spraybar attachment plate right	Non-current production model from June 2021
18	2	H22644	Index plunger	Non-current production model from June 2021
19	10	H24588	Nozzle holder	
20	4	H24589	Nozzle holder, adjustable	
21	4	H24638	Simple clamp	

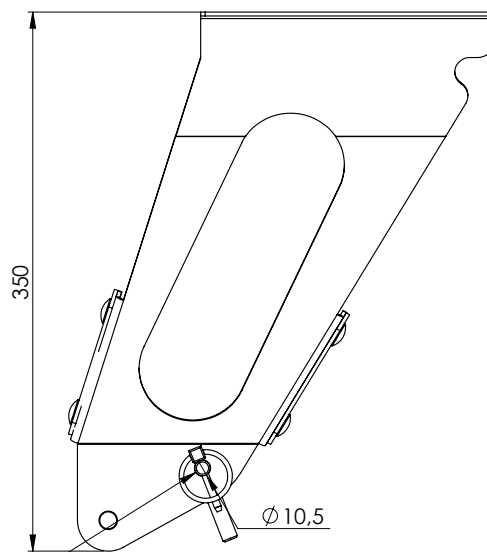
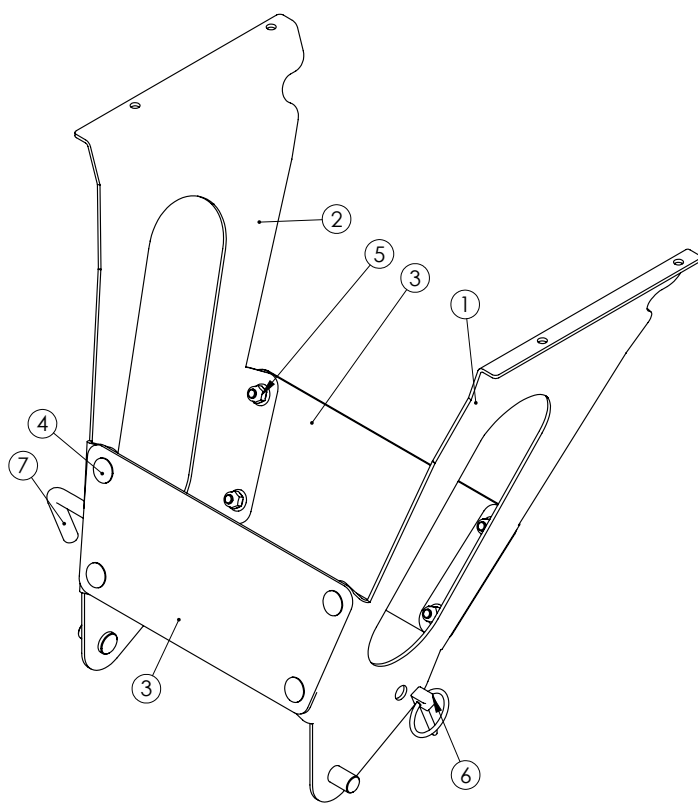


FOR OPTIONAL LIQUID SYSTEM

SPRAY BAR MOUNTING KIT - H28511

Item	Qty	Part no.	Description
1	1	H28512	Bracket left
2	1	H28514	Bracket right
3	2	H28516	Plate
4	8	HF10929	Lockbolt DIN603 M6x16 A4
5	8	HF19412	Flange nyloc DIN 6926 A4 M6
6	1	H28829	Linch pin SS 4,5mm
7	1	H40225	Locking pin

NOTE! Non Current production model from May 2022.



On older versions this hole needs to be drilled to 10,5mm

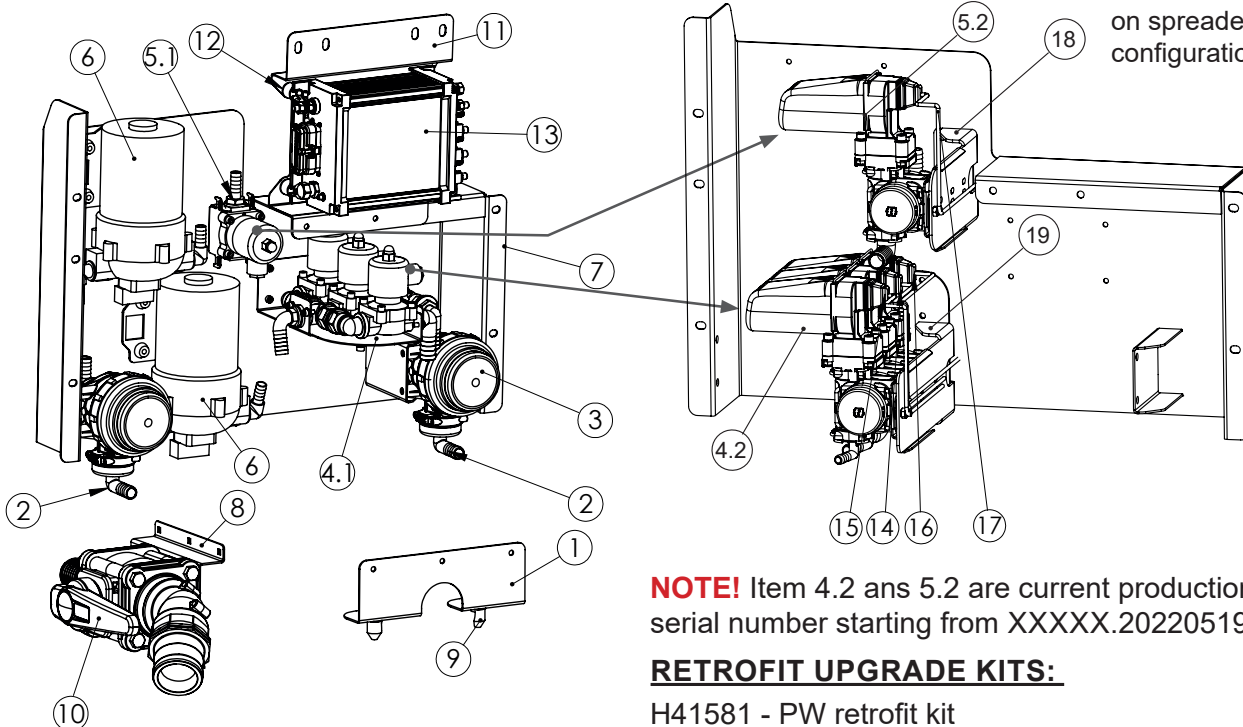
FOR OPTIONAL LIQUID SYSTEM

PARTS FOR HOSE REEL, PRE-WET, SPRAYBAR CONFIG

Item	Qty	Part no.	Description	Note
1	1	H27164	Bracket	
2	4	H28502	90 degree hose fitting T5 → 16mm	
3	2	H29616	Filter pre-assembly	See page 30
4.1	1	H29617	Selector valve pre-assembly 3-port (non-current production model)	See page 28
4.2	1	H41822	Valve 3 section, HR+PW+SB*, pre-assembly (current production model)	See page 29
5.1	1	H27486	Valve pre-assembly (non-current production model)	See page 26
5.2	1	H41821	Spraybar valve 1 section pre-assembly (current production model)	See page 27
6	2	H25338	Pump with hose nipples, 12V	See page 31
	2	H30321	Pump with hose nipples, 24V	
7	1	H28434	Back Pre-wet plate	
8	1	H28285	Main valve bracket	
9	2	H25839	Nozzle Ø25-82	
10	1	H28356	Main fill valve assembly	See page 29
11	1	H26565	Bracket plate	
12	4	H24772	Vibration dampener SS Vibration dampener SS	
13	1	H30116-1	Spreader module 12V	
	1	H30471	Spreader module 24V	
14	1	H30486	Pre-wet harness with valve connector	
15	1	H30489	Handspray harness with valve connector	
16	1	H30487	Spraybar 1 harness with valve connector	
17	1	H30488	Spraybar 2 harness with valve connector	
18	1	H41662	Valve bracket	
19	1	H41663	Valve bracket	

NOTE!
 Non-Current
 production model,
 serial number up
 to → XXXXX.
 20220519.010583

* HR = Hose reel, PW = Pre-wet, SB = Spraybar



NOTE! Selector valve mounted is depending on spreader accessories configuration.

NOTE! Item 4.2 and 5.2 are current production models, serial number starting from XXXXX.20220519.010584 →

RETROFIT UPGRADE KITS:

- H41581 - PW retrofit kit
- H41860 - PW + SB retrofit kit
- H41699 - HR + PW + SB retrofit kit

FOR OPTIONAL LIQUID SYSTEM

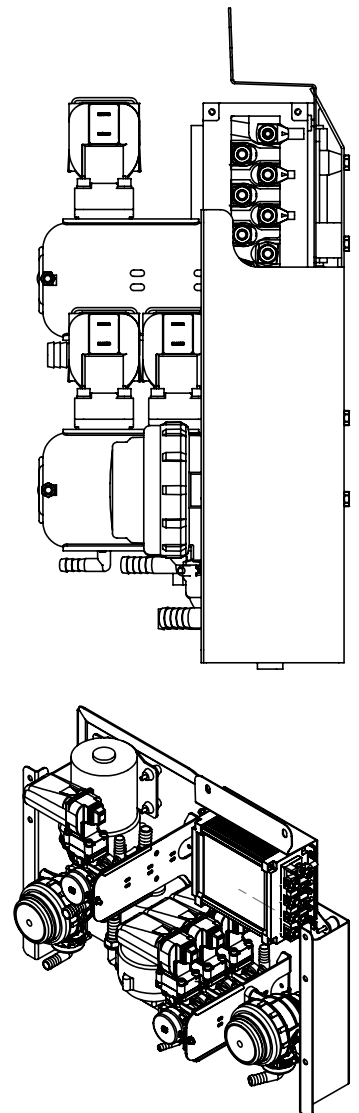
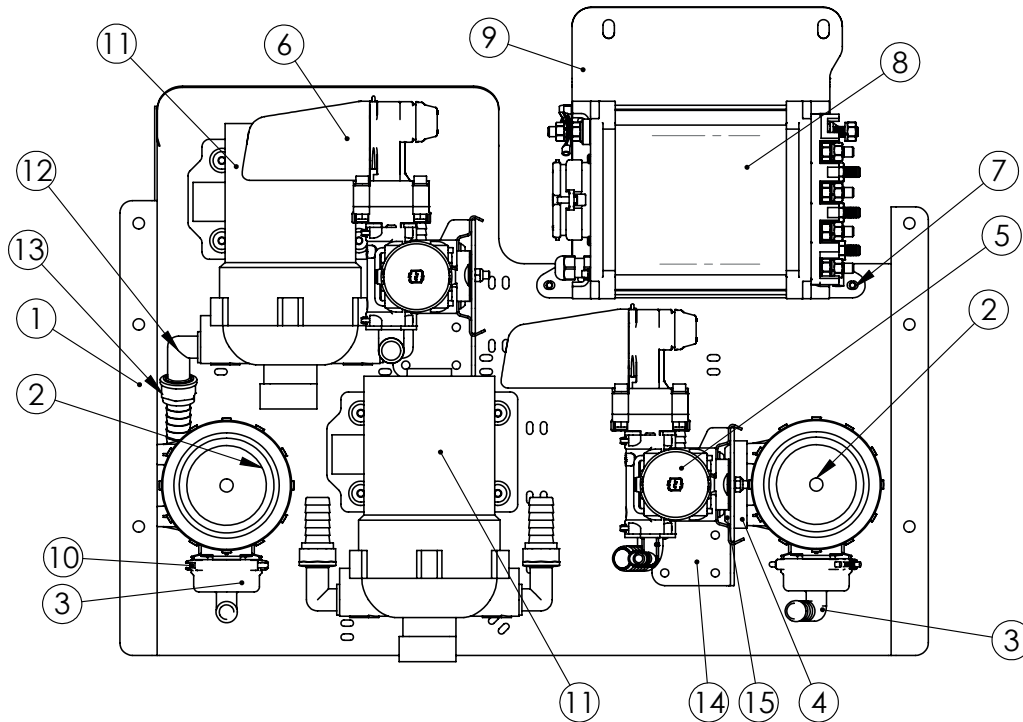
PARTS FOR HOSE REEL, PRE-WET, SPRAYBAR CONFIG

Item	Qty	Part no.	Description	Note
1	1	H41330	Backplate welded	
2	2	H29616	Filter pre-assembly	See page 30
3	4	H28502	90 degree hose fitting T5-->16mm	
4	1	H41326	Filter distance	
5	1	H41822	Valve 3 section, HR+PW+SB*, pre-assembly	See page 29
6	1	H41821	Spraybar valve 1 section pre-assembly	See page 27
7	2	H24772	Vibration dampener SS	
8	1	H30116-1	Spreader module 12V	
	1	H30471	Spreader module 24V	
9	1	H41332	Plate	
10	4	H28504	T5/AF5 fork clip	
11	2	H25338	Pump with hose nipples, 12V	See page 31
	2	H30321	Pump with hose nipples, 24V	
12	4	H28871	Liquid pump fitting 1/2"	
13	4	H29353	Hose Fitting straight G1/2"Female→19mm	
14	2	H41544	Valve bracket	
15	2	HF12898	ISO 7380 M8x30 10.9Zn	

NOTE!
 Current production model,
 serial number starting from
 XXXXX.20220519.010584 →

* HR = Hose reel, PW = Pre-wet, SB = Spraybar

NOTE! Selector valve mounted is depending on spreader accessories configuration.

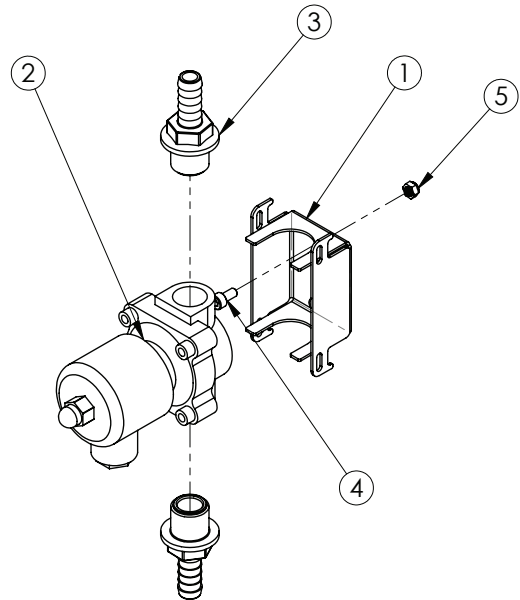
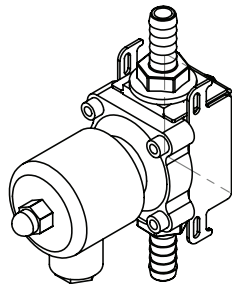


FOR OPTIONAL LIQUID SYSTEM

VALVE PRE-ASSEMBLY - H27486

NOTE! Non-Current production model, serial number up to → XXXXX.20220519.010583

Item	Qty	Part no.	Description
1	1	H26739	Bracket
2	1	H28015	Electric valve 2/2 1/2" 12VDC
	1	H28016	Electric valve 2/2 1/2" 24VDC
3	2	H22954	Hose fitting, M G 1/2"-13mm
4	2	HF10426	M5x10 DIN 4762 A4
5	2	HF10511	Lock nut

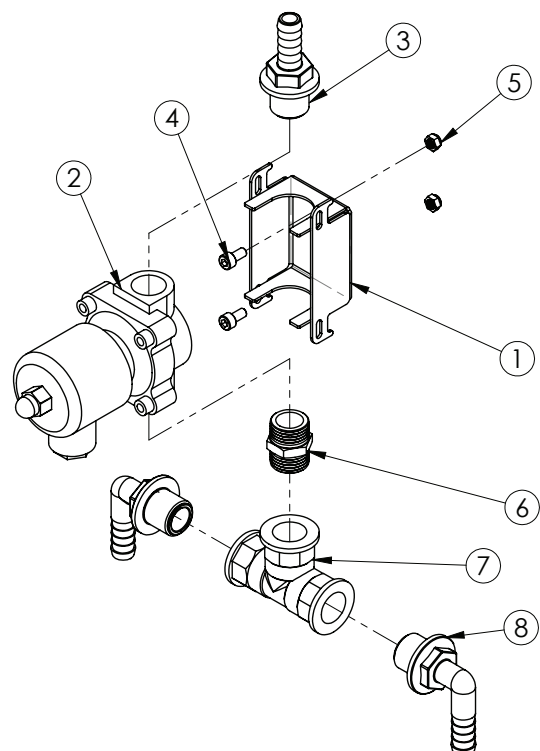
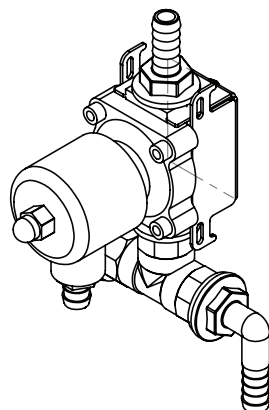


FOR OPTIONAL LIQUID SYSTEM

PRE-WET VALVE PRE-ASSEMBLY - H27488

NOTE! Non-Current production model, serial number up to → XXXXX.20220519.010583

Item	Qty	Part no.	Description
1	1	H26739	Bracket
2	1	H28015	Electric valve 2/2 1/2" 12VDC
	1	H28016	Electric valve 2/2 1/2" 24VDC
3	1	H22954	Hose fitting ,M G 1/2"-13mm
4	2	HF10426	M5x10 DIN 4762 A4
5	2	HF10511	Lock nut
6	1	H22990	Threaded fitting 1/2"
7	1	H23026	Female Tee 1/2"
8	2	H22952	90° hose fitting, M G 1/2

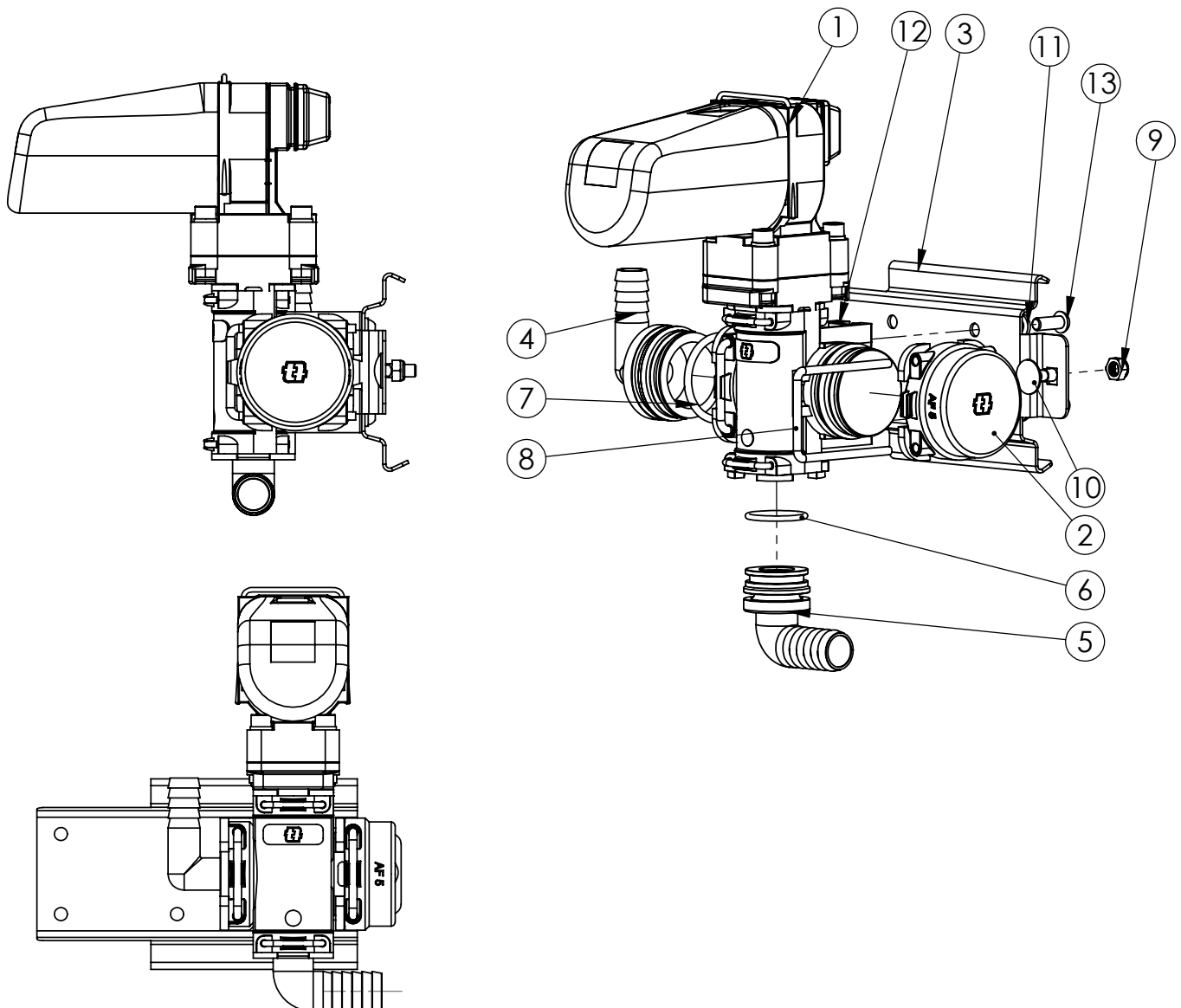


FOR OPTIONAL LIQUID SYSTEM

SPRAYBAR VALVE 1 SECTION PRE-ASSEMBLY - H41821

Item	Qty	Part no.	Description
1	1	H41294	Valve NRG-AF 12V
	1	H30512	Valve NRG-AF 24V
2	1	H41301	End cap AF5
3	1	H41324	Valve bracket plate
4	1	H41299	Hose fitting 90deg. AF5M-16mm
5	1	H41300	Hose fitting straight ,AF3M-20mm
6	1	H41506	O-Ring, AF3-EPDM
7	1	H41507	O-Ring, AF5-EPDM
8	1	H28504	T5/AF5 fork clip
9	1	HF10512	Lock nut M6 A4 DIN985
10	1	HF10929	Lock bolt DIN603 M6x16 A4
11	2	HF10501	Washer M6 A4 DIN 127
12	2	H41385	Plate
13	2	HF19123	ISO 7380 A4 M6x16

NOTE! Current production model, serial number starting from XXXXX.20220519.010584 →

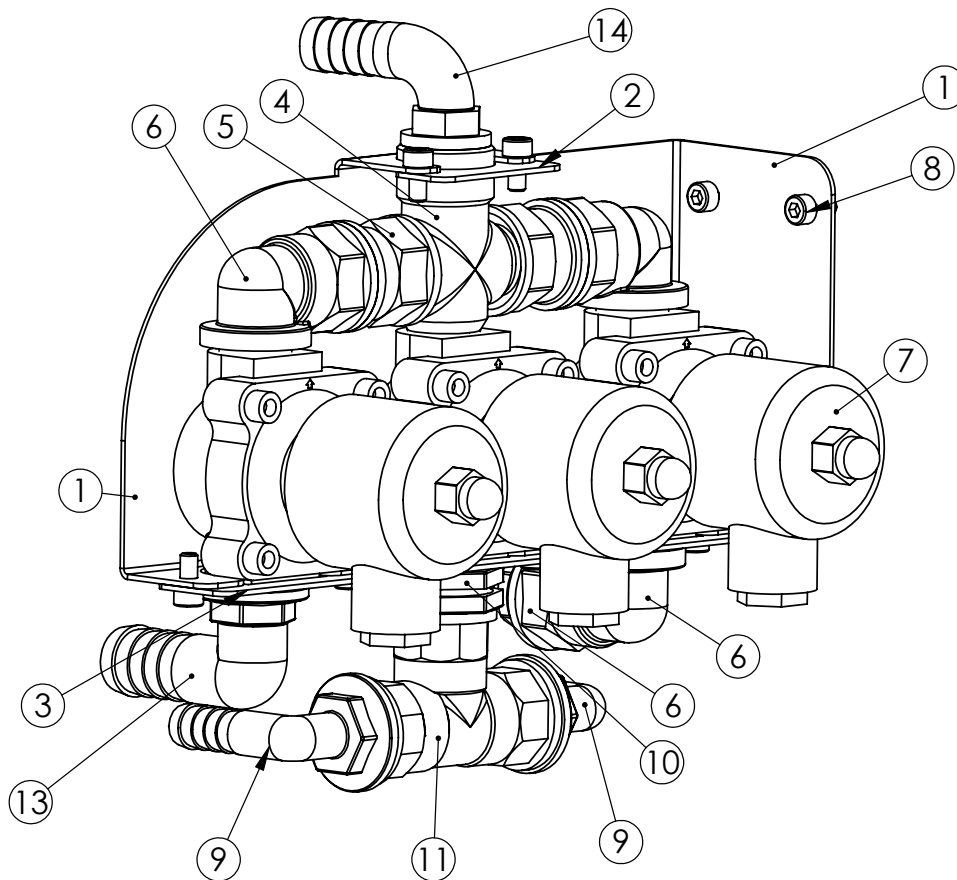


FOR OPTIONAL LIQUID SYSTEM

3-PORT SELECTOR VALVE PRE-ASSEMBLY - H29617

Item	Qty	Part no.	Description
1	1	H26738	Bracket
2	1	H26738	Bracket
3	1	H26738	Bracket
4	1	H26736	4-way male/female fitting G1/2"
5	2	H27479	Straight M/F adapter 1/2" → 1/2"
6	3	H26737	90deg. M/F adapter 1/2" → 1/2"
7	3	H28015	Electric valve 2/2 1/2" 12VDC
	3	H28016	Electric valve 2/2 1/2" 24VDC
8	10	HF10426	M5x10 DIN 4762 A4
9	2	H22952	90° hose fitting, M G 1/2
10	1	H23027	Straight fitting 1/2"
11	1	H23026	Female Tee 1/2"
12	1	H22953	Straight hose fitting G 1/2-10
13	1	H24601	90 deg hose fitting G1/2"-20
14	1	H23036	90 deg hose fitting G1/2"-16

NOTE! Non-Current production model, serial number up to → XXXXX.20220519.010583



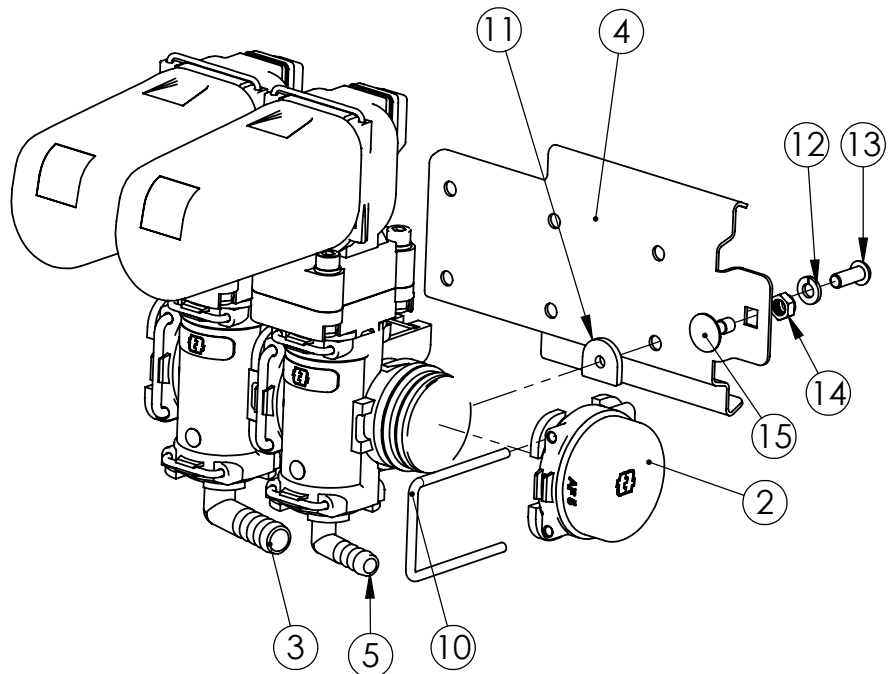
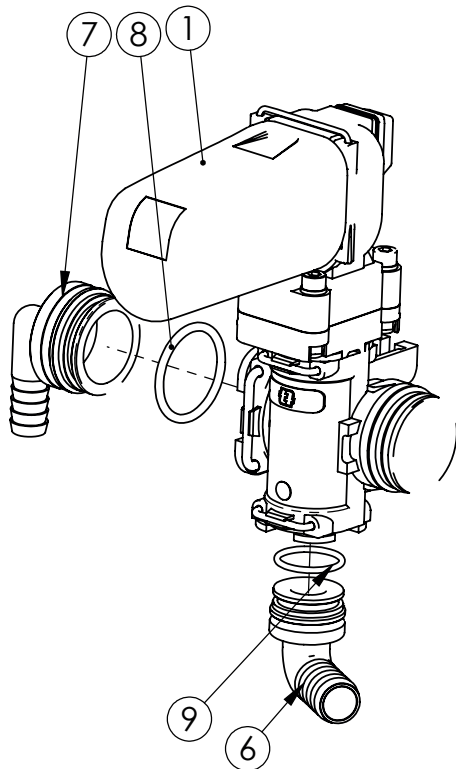
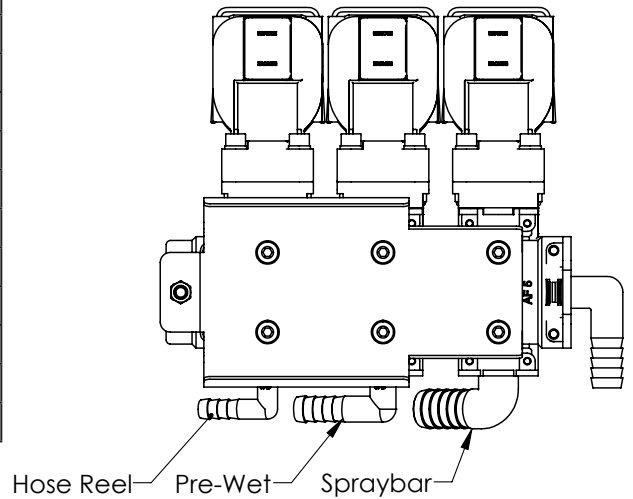
FOR OPTIONAL LIQUID SYSTEM

VALVE 3 SECTIONS, HR+PW+SB*, PRE-ASSEMBLY - H41822

Item	Qty	Part no.	Description
1	3	H41294	Valve NRG-AF 12V
	3	H30512	Valve NRG-AF 24V
2	1	H41301	End Cap AF5
3	1	H41296	Hose Fitting 90deg. AF3M-13mm
4	1	H41324	Valve bracket plate
5	1	H41295	Hose Fitting 90deg. AF3M-10mm
6	1	H41300	Hose Fitting straight ,AF3M-20mm
7	1	H41299	Hose Fitting 90deg. AF5M-16mm
8	1	H41507	O-Ring, AF5-EPDM
9	3	H41506	O-Ring, AF3-EPDM
10	1	H28504	T5/AF5 fork clip
11	6	H41385	Plate
12	6	HF10501	Washer M6 A4 DIN 127
13	6	HF19123	ISO 7380 A4 M6x16
14	1	HF10512	Lock nut M6 A4 DIN985
15	1	HF10929	Lock bolt DIN603 M6x16 A4

* HR = Hose reel, PW = Pre-wet, SB = Spraybar

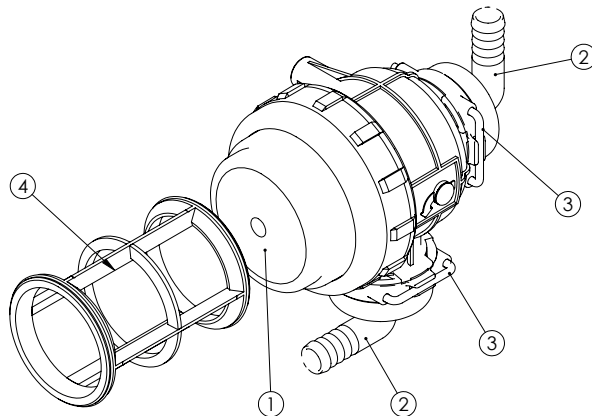
NOTE! Current production model, serial number starting from XXXXX.20220519.010584 →



FOR OPTIONAL LIQUID SYSTEM

FILTER PRE-ASSEMBLY - H29616

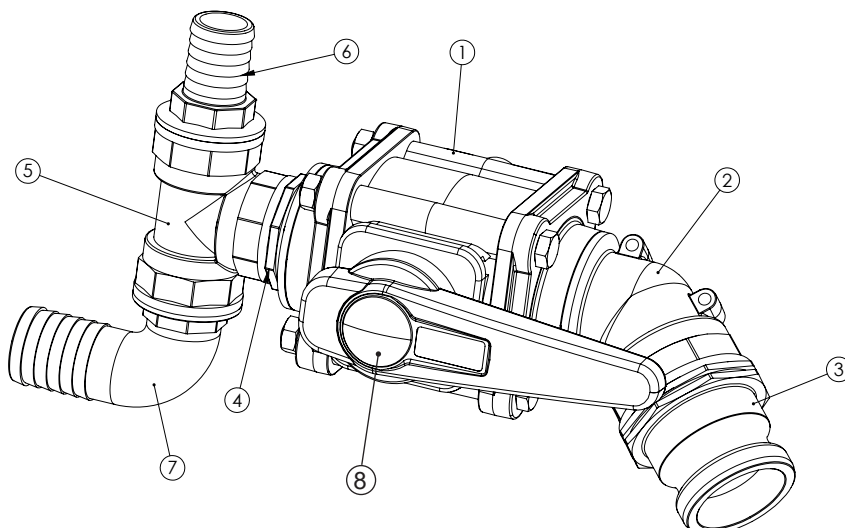
Item	Qty	Part no.	Description
1	1	H28501	Filter unit with T5 fork
2	2	H28502	90 degree hose fitting T5 →16mm
3	2	H28504	Arag T5 fork clip
4	1	H23552	Filter



FOR OPTIONAL LIQUID SYSTEM

MAIN FILL VALVE ASSEMBLY - H28356

Item	Qty	Part no.	Description
1	1	H24593	Valve 2"
2	1	H25235	Female/Male 45deg threaded fitting G 2"
3	1	H25234	Camlock 2", male thread G 2"
4	1	H28259	Reduction G2"M → 1 1/4"M
5	1	H28258	T fitting 1 1/4" Female
6	1	H28257	Straight hose fitting 1 1/4" → 40mm
7	1	H28256	90 degree hose fitting 1 1/4" → 40mm
8	1	H29788	Handle long

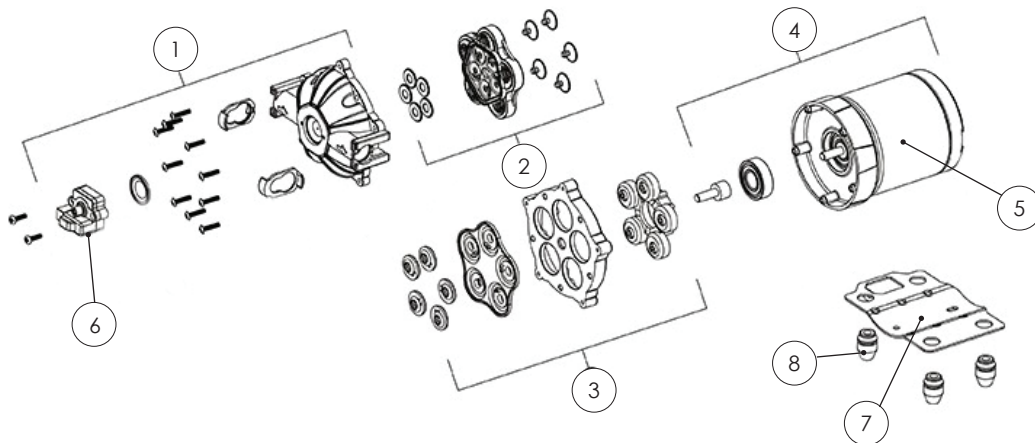


PUMP ASSEMBLY

12V - H25338

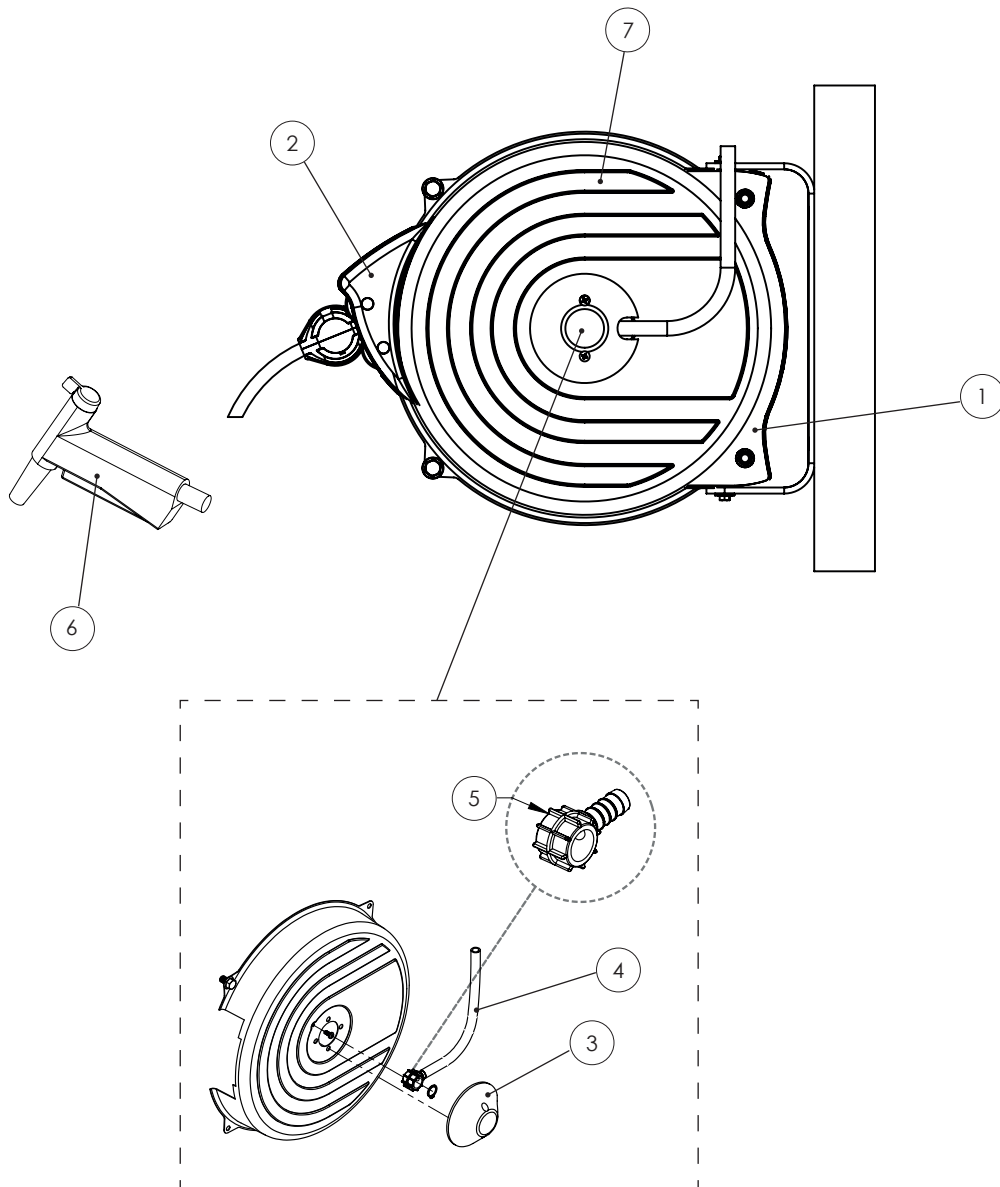
24V - H30321

Item	Qty	Part no.	Description
1	1	H41484	Pump head assembly
2	1	H41485	Valve assembly
3	1	H41486	Diaphragm assembly
4	1	H41487	Motor assembly 12V
	1	H41478	Motor assembly 24V
5	1	H41488	Motor 12V
	1	H41479	Motor 24V
6	1	H30416	Pressure sensor assembly
7	1	H25337	Pump bracket
8	4	H23003	Rubber bush



FOR OPTIONAL LIQUID SYSTEM
HOSE REEL

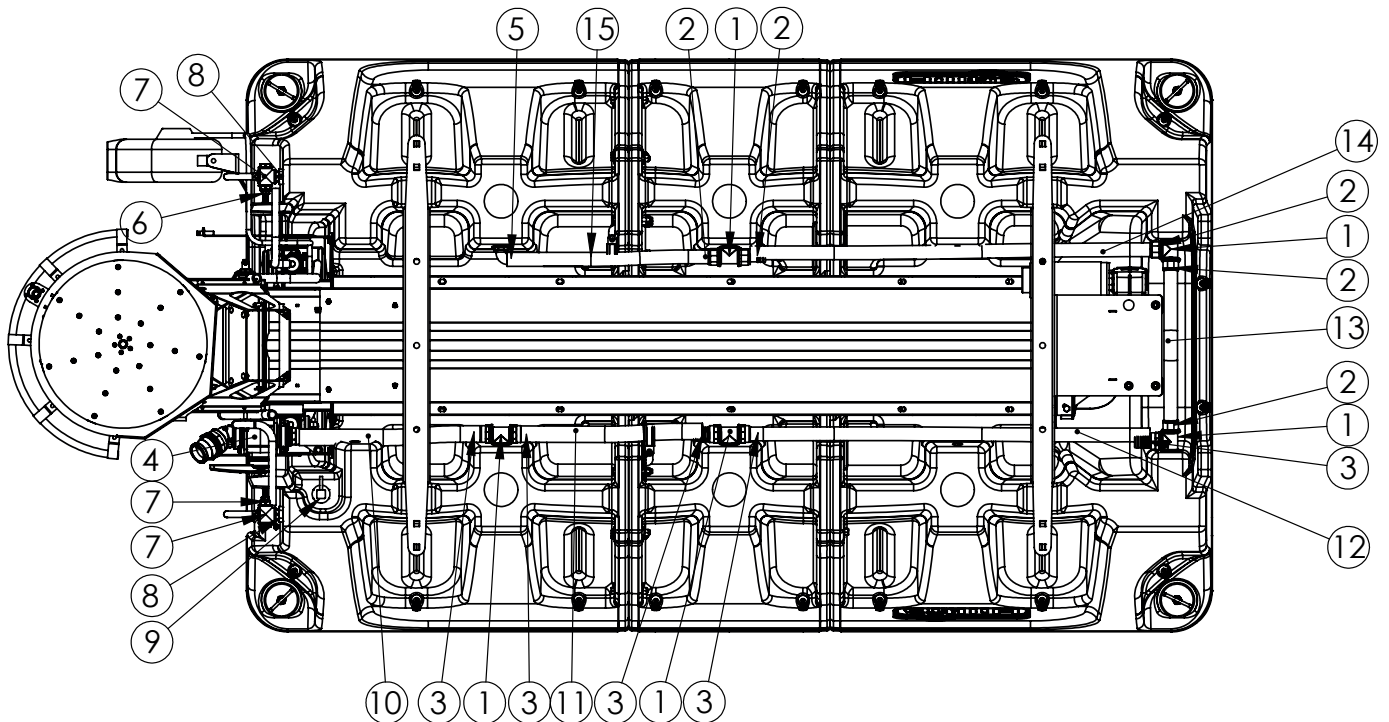
Item	Qty	Part no.	Description
1	1	H40690	Plastic bracket
2	1	H30452	Output case with pulleys
3	1	H30455	Cover for swivel
4	1	H30454	Connecting hose
5	1	H30453	Swivel with hose fitting
6	1	H22534	Spray pistol
7	1	H22540	Hose reel



FOR OPTIONAL LIQUID SYSTEM

BOTTOM HOSES AND FITTINGS FOR 3000-4000 AM/CM

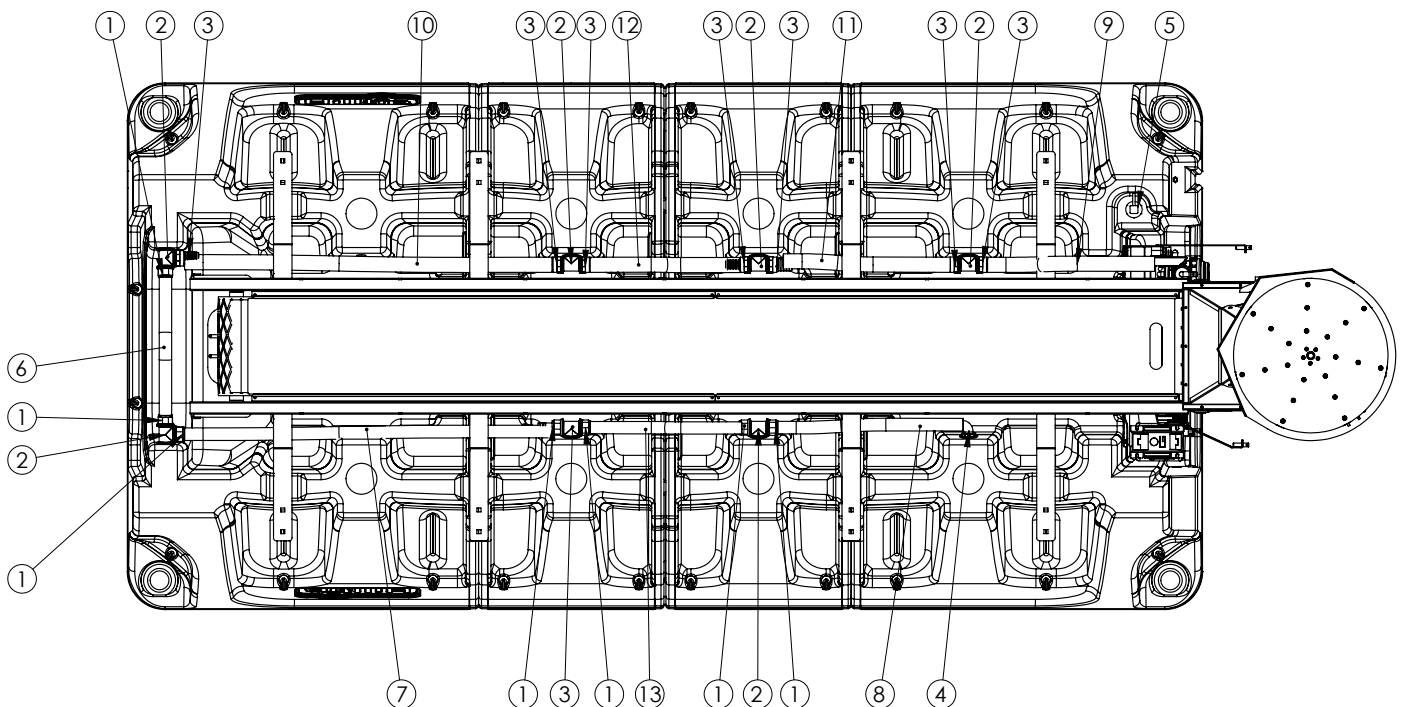
Item	Qty	Part no.	Description
1	5	H27956	T fitting Female 1 1/4"
2	5	H28358	Straight hose fitting 1 1/4"F → 33mm
3	5	H28359	Straight hose fitting 1 1/4"F → 40mm
4	1	H28356	Main fill valve assembly
5	1	H27957	90 deg fitting G1 1/4" → 32mm
6	3	H23023	Straight hose fitting, male thread G 1/2-16mm
7	2	H29477	Ball valve 3-way SS 3/4" T
8	3	H23028	Threaded fitting 3/4"
9	1	H26729	Level indicator
10	1	H41212	Hose 40mm - L 510mm
11	1	H41213	Hose 40mm - L 560mm
12	1	H41214	Hose 40mm - L 1190mm
13	1	H41215	Hose 32mm - L 450mm
14	1	H41216	Hose 32mm - L 1200mm
15	1	H41217	Hose 32mm - L 600mm



FOR OPTIONAL LIQUID SYSTEM

SPREADER HOPPER HOSES AND FITTINGS FOR 5000 CM

Item	Qty	Part no.	Description
1	7	H28358	Straight hose fitting 1 1/4" F → 33mm
2	7	H27956	T fitting Female 1 1/4"
3	7	H28359	Straight hose fitting 1 1/4" F → 40mm
4	1	H27957	90 deg fitting G1 1/4" → 32mm
5	1	H26729	Level indicator
6	1	H41215	Hose 32mm - L 450mm
7	1	H41216	Hose 32mm - L 1210mm
8	1	H41217	Hose 32mm - L 620mm
9	1	H41212	Hose 40mm - L 510mm
10	1	H41214	Hose 40mm - L 1200mm
11	1	H41213	Hose 40mm - L 560mm
12	1	H41218	Hose 40mm - L 490mm
13	1	H41556	Hose 32mm - L 490mm </td



ELECTRICAL HARNESSES

<i>Part no.</i>	<i>Description</i>
H30130	Vehicle side harness
H30131	Extension harness 3 m (optional)
H30132	Spreader side harness to vehicle side harness, 3000-5000 AM/CM (battery + data cable)
H30133	Spreader side harness, 3000-5000 AM/CM
H30134	Spinner motor to spreader module harness
H30135	Beacon harness split
H30136	License plate harness 3000-5000 AM/CM
H30137	Pre-wet harness
H30138	Spray bar 1 harness
H30139	Spray bar 2 harness
H30140	Hand spray harness
H30141	Auger-encoder/Vibrator to spreader module harness
H22756	Vehicle side 8-pin data cable
H22761	Spreader side 8-pin cable

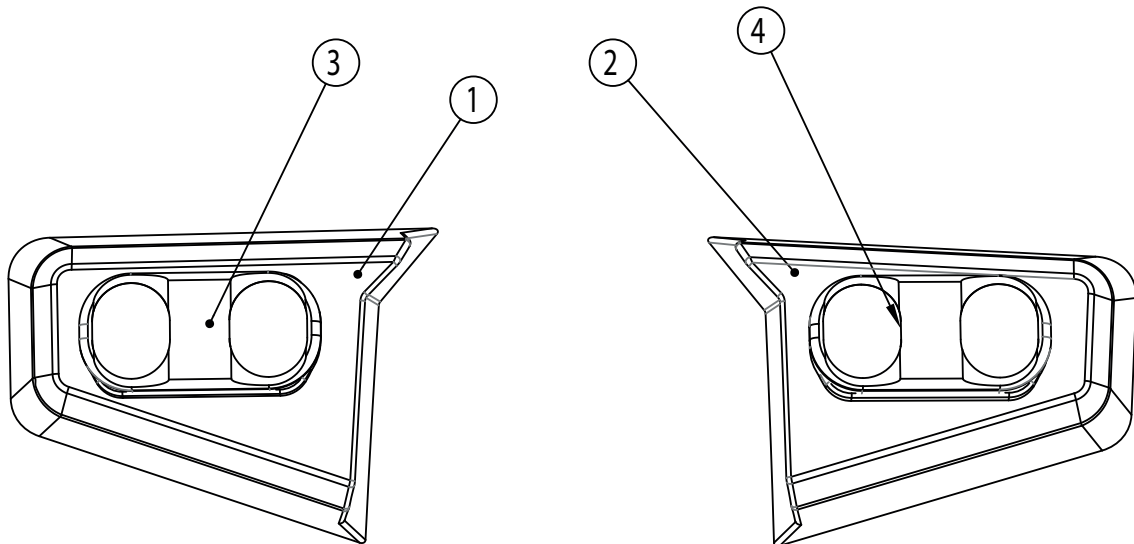
CONTROLLER ASSEMBLY - H21913

<i>Item</i>	<i>Part no.</i>	<i>Description</i>
1	H22739	Controller front
2	H22975	Controller circuit assembly
3	H22960	RAM mount



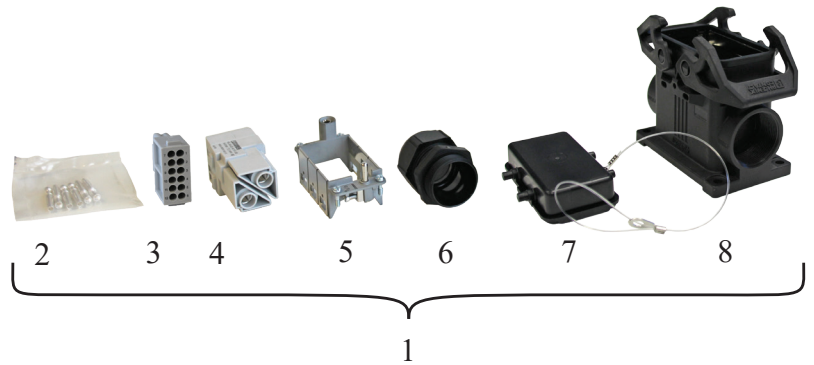
LED REAR LIGHT KIT - H26680 (OPTIONAL)

Item	Qty	Part no.	Description
1	1	H28362	Rear light holder left
2	1	H28361	Rear light holder right
3	1	H22401	LED rear light assembly, Driver side
4	1	H22402	LED rear light assembly, Passenger side

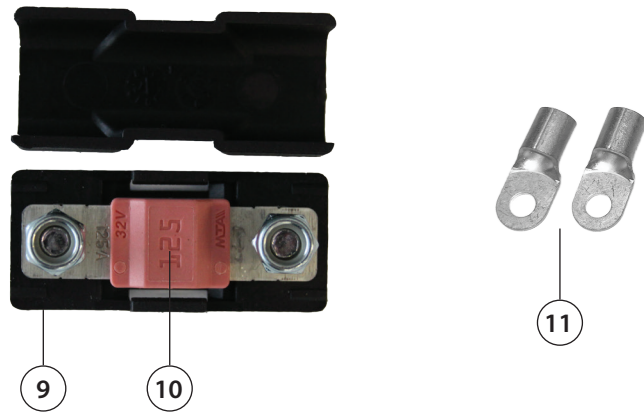


CONNECTORS

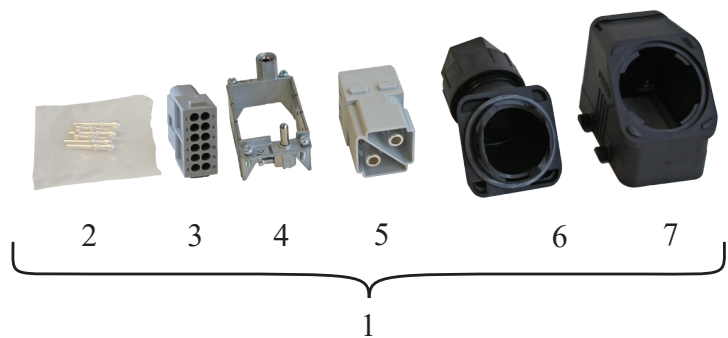
Item	Qty	Part no.	Description
1	1	H30151	Vehicle side harness connector
2	1	H30152	Terminal kit (8 pcs 0,5mm ²)
3	1	H30145	Insert module
4	1	H25796	Insert module
5	1	H25763	Carrier frame
6	1	H25764	Cable gland
7	1	H25803	Cover
8	1	H25765	Housing



9	1	H26129	Fuse holder midval small
10	1	H22885	Fuse midval 125 A, pink
11	2	H24273	Connector 5mm 25 mm ²



Item	Qty	Part no.	Description
1	1	H30150	Spreader side harness connector
2	1	H30153	Terminal kit (5 pcs 1,0 mm ²)
3	1	H26625	Insert module
4	1	H25759	Carrier frame
5	1	H25800	Insert module
6	1	H25760	Cable gland
7	1	H25828	Housing



Item	Qty	Part no.	Description
1	1	H25766	Spreader side harness connector holder

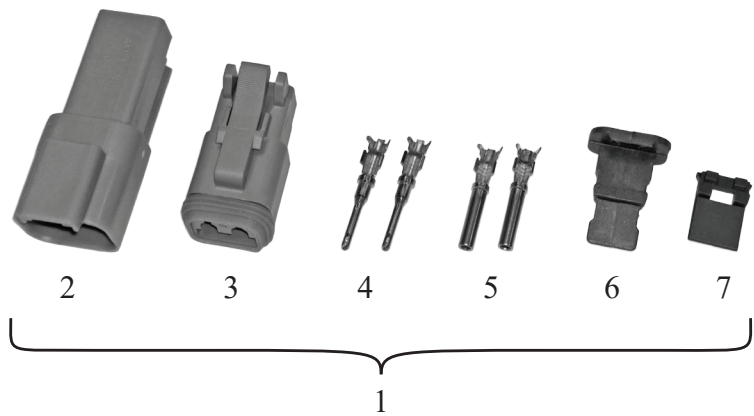


Item	Qty	Part no.	Description
1	1	H22305	Protective cap ATP
2	1	H22304	Protective cap AT
3	1	H22168	Sealing Cap female



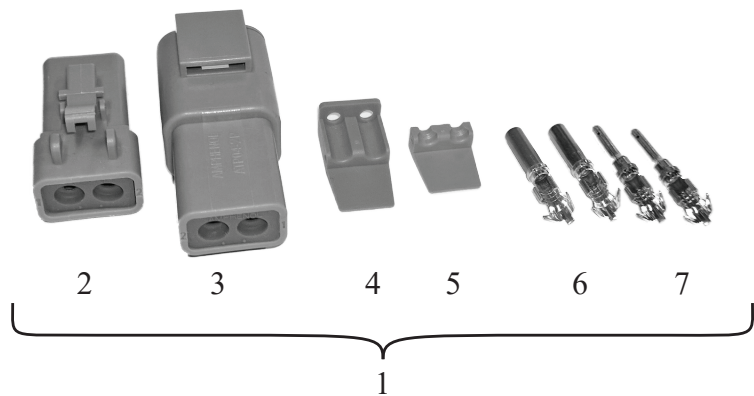
Item	Qty	Part no.	Description
1	1	H23366	DT connector kit 1mm ²
2	1	H21879	Receptacle, 2-Way
3	1	H21877	Plug, 2-way
4	20*	H21883	Male Contact - Pin 0,823-1,31mm ²
5	20*	H21881	Female Contact - Socket 0,823-1,31mm ²
6	1	H21878	Wedge lock Plug, 2-Way
7	1	H21880	Wedge lock Recep., 2-Way

*minimum order quantity: 20 pcs



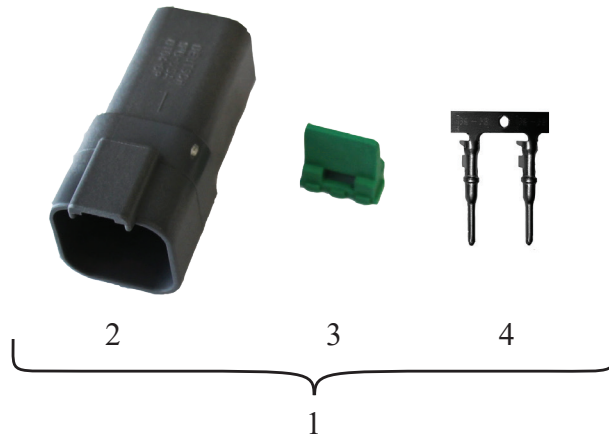
Item	Qty	Part no.	Description
1	1	H23368	DTP Connector kit
2	1	H21888	Plug, 2-way
3	1	H21886	Receptacle, 2-Way
4	1	H21889	Wedge lock Plug, 2-Way
5	1	H21887	Wedge lock Recep., 2-Way
6	20*	H21884	Female Contact - Socket 2,08-3,31 mm ²
7	20*	H21885	Male Contact - Pin 2,08-3,31mm ²

*minimum order quantity: 20 pcs



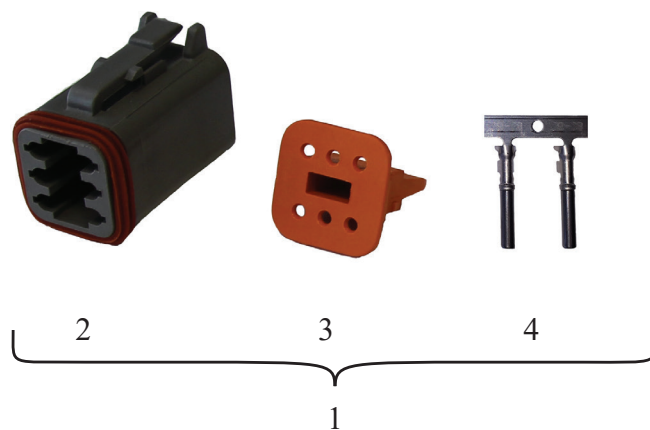
Item	Qty	Part no.	Description
1	1	H30154	Connector Kit, DT 6-way Male
2	1	H30125	Receptacle, 6-Way
3	1	H30128	Wedge lock recep., 6-Way
4	20*	H21883	Male Contact - Pin 0,823-1,31mm

*minimum order quantity: 20 pcs

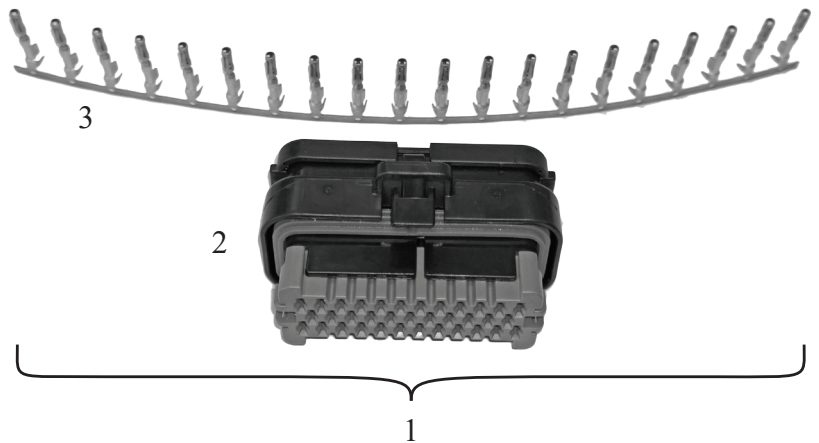


Item	Qty	Part no.	Description
1	1	H30155	Connector Kit, DT 6-way Female
2	1	H25941	Plug, 6-way
3	1	H25942	Wedge lock Plug, 6-Way
4	20*	H21881	Female Contact - Socket 0,823-1,31mm

*minimum order quantity: 20 pcs

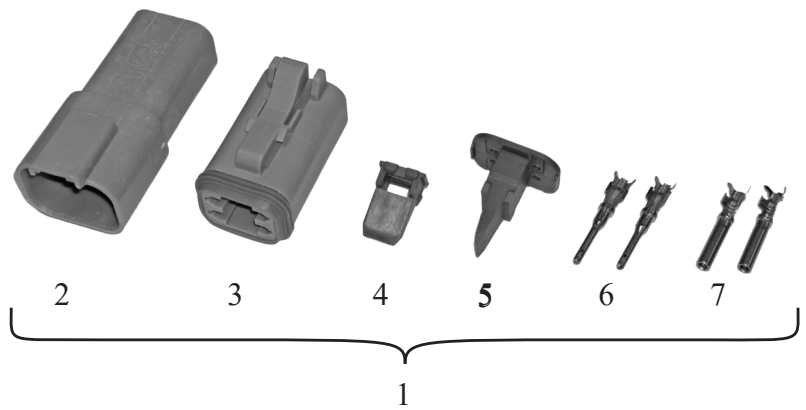


Item	Qty	Part no.	Description
1	1	H23369	IO module connector kit
2	1	H21955	Connector Housing AMPSEAL 35 pin
3	20	H21956	Female Contact - Socket



Item	Qty	Part no.	Description
1	1	H23370	Rear lights connector kit
2	1	H21910	Receptacle, 4-Way
3	1	H21908	Plug, 4-Way
4	1	H21911	Wedge lock Recep., 4-Way
5	1	H21909	Wedge lock Plug, 4-Way
6	20*	H21883	Male Contact - Pin 0,823-1,31mm ²
7	20*	H21881	Female Contact - Socket 0,823-1,31mm ²

*minimum order quantity: 20 pcs



Item	Qty	Part no.	Description
1	1	H23529	Dielectric grease, 50g



Item	Qty	Part no.	Description
1	1	H21935	Connector for spinner, 8 mm 4 mm ²
2	1	H21953	Connector for auger/ conveyor, 8 mm 16 mm ²
3	1	H24274	Connector for vehicle side, 10 mm 25 mm ²
4	1	H24207	Connector for spreader module 8 mm 25 mm ²
5	1	H24273	Connector for fuse holder, 5 mm 25 mm ²

1



2



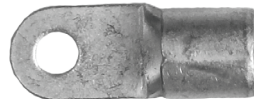
3



4



5





Oy HillTip Ab
Pukkisaarentie 6
FIN-68600 Pietarsaari
Finland

Phone: +358 50 5983 026
Phone: +358 50 3659 415
www.hilltip.com
info@hilltip.com