



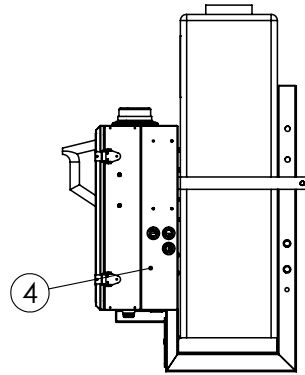
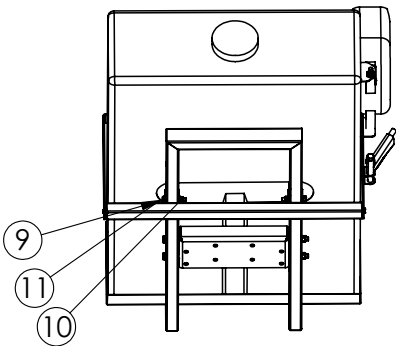
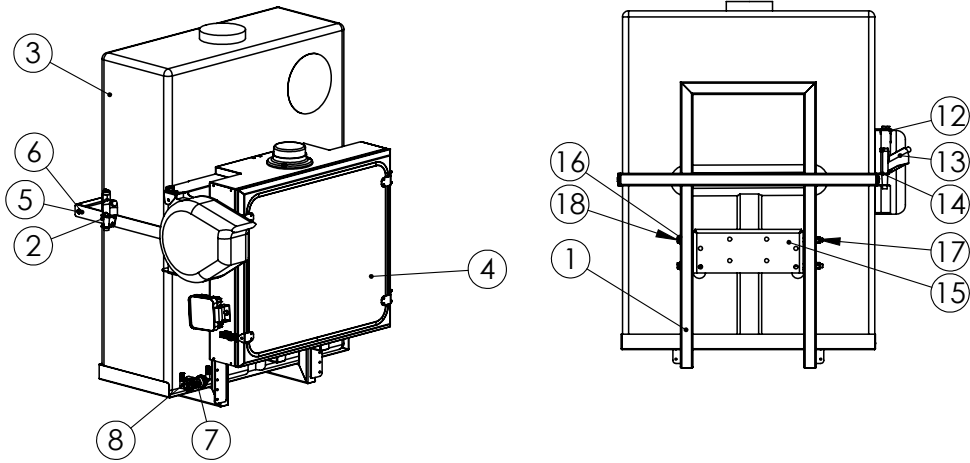
# PARTS LIST

SPRAYSTRIKER™ 250 TR & 350 UTV SPRAYER  
(US SPRAYSTRIKER™ 65 TR & 90 UTV SPRAYER)

SPRAYSTIKER 250 TR (65 TR).....	2
SPRAYSTIKER 350 UTV (90 UTV).....	4
PREASSEMBLED PUMP CABINET .....	6
VALVE ASSEMBLY 4X12 VDC .....	8
ELECTRIC VALVE 2/2 1/2" 12VDC ASSEMBLY.....	9
SPRAYBAR ASSEMBLY .....	10
BEAM FRAME.....	12
TANK HOLDER BRACKET .....	12
ELECTRICAL COMPONENTS .....	13

This manual replaces all editions with an earlier date.

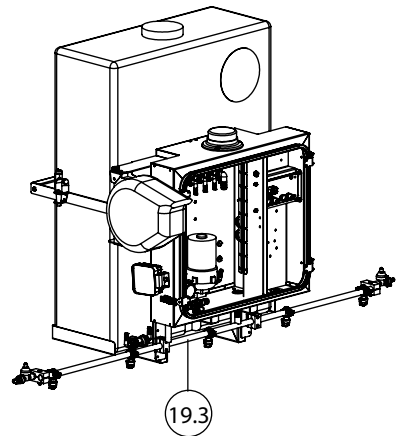
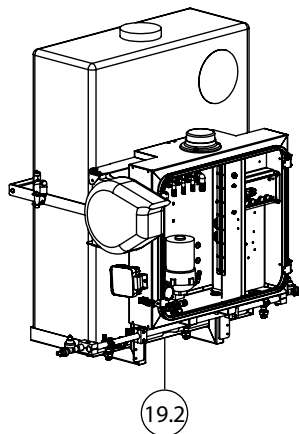
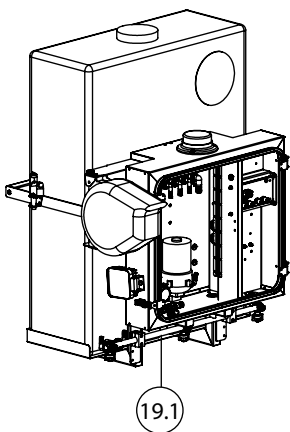
### SPRAYSTRIKER 250 TR - H29044



Spraybar 0,8m: H29173

Spraybar 1,2m: H29174

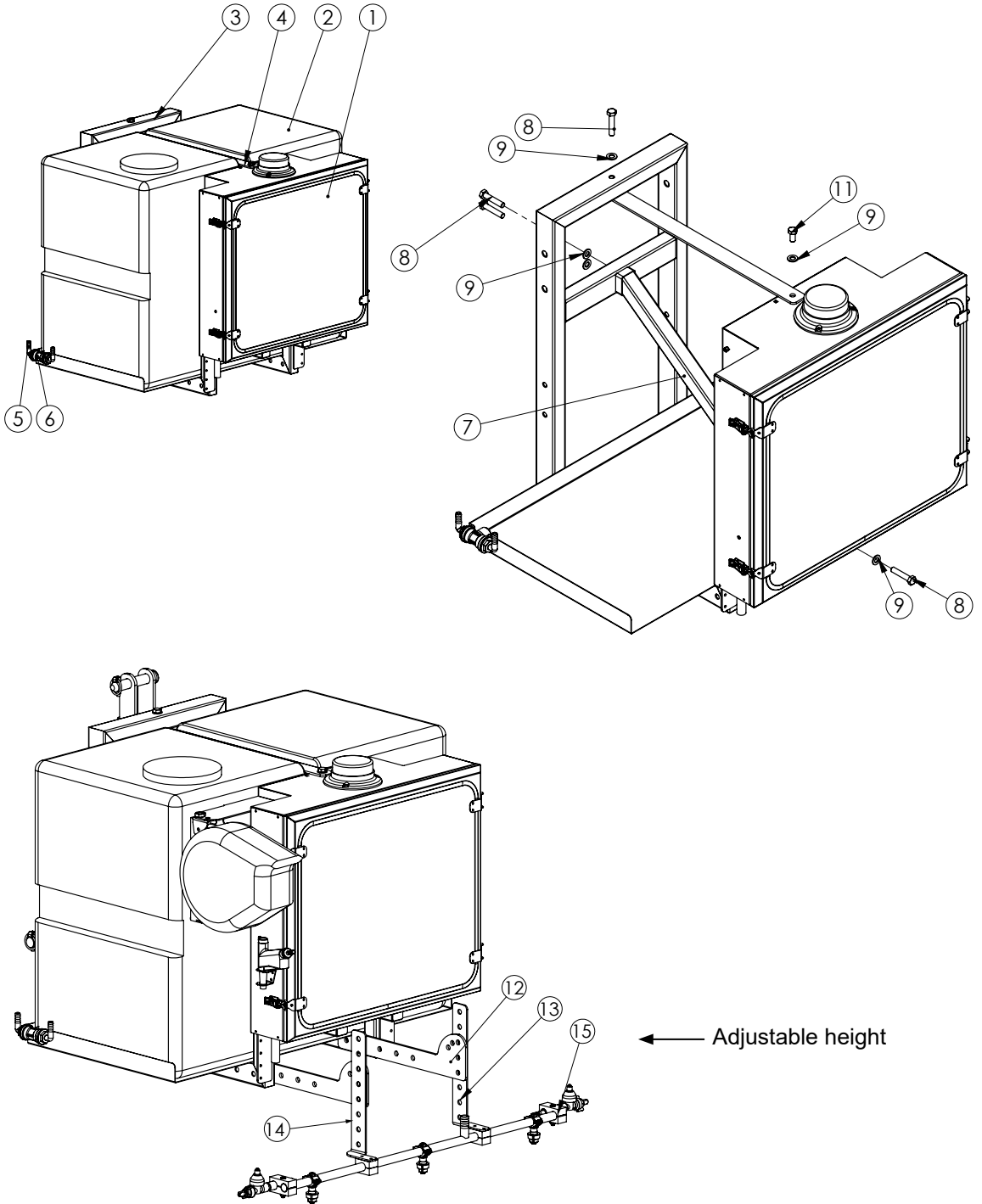
Spraybar 2m: H29154



## SPRAYSTRIKER 250 TR - H29044

<i>Item</i>	<i>Qty</i>	<i>Part no.</i>	<i>Description</i>	<i>Notes</i>
1	1	H29056	Spraystriker 250 TR beam frame	See page 10
2	1	H29062	Tank holder bracket	See page 10
3	1	H29057	Liquid tank 250 l	
4	1	H29070	Spraystriker TR preassembled pump cabinet	See page 4-5
5	2	HF10744	Bolt M8*25 8.8 DIN933	
6	2	HF15149	Washer DIN 125 M8 ZN	
7	1	H28562	T styck F 3/4" M 1"	
8	2	H25660	90° hose fitting, male thread G 3/4 -> D13	
9	2	HF12410	Hex Bolt DIN931 ZN M10x70	
10	2	HF15066	LOCK NUT DIN 985 M10x1,25	
11	4	HF10479	Washer	
12	1	H22535	Plate	
13	1	H22534	Spray pistol	
14	1	H22536	Bracket	
15	1	H29064	Lower link arm plate	
16	4	HF10480	Washer DIN 125 M12 A4	
17	4	HF15068	Lock nut DIN 985/8 M12	
18	4	HF11703	Bolt M12x70 10.9 DIN931	
19.1	1	H29173	Spraybar 0.8 m	See page 9
19.2	1	H29174	Spraybar 1.2 m	See page 8
19.3	1	H29154	Spraybar 2 m	See page 8

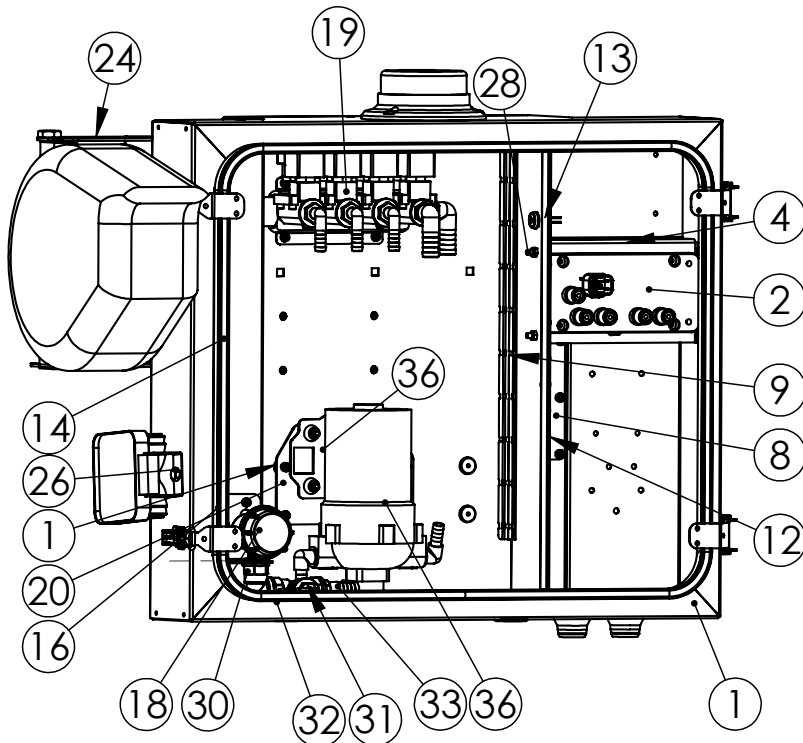
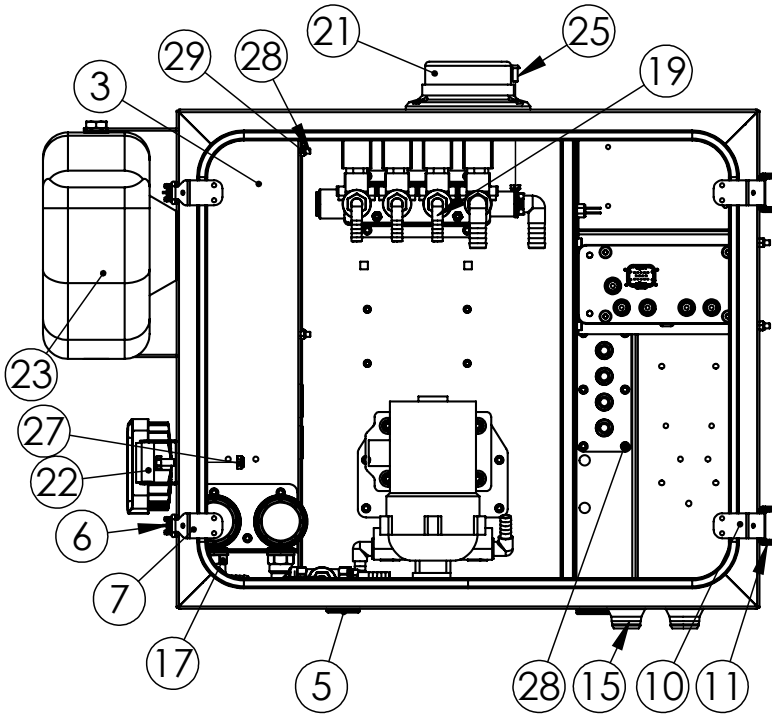
# SPRAYSTRIKER 350 UTV - H40123



## SPRAYSTRIKER 350 UTV - H40123

<i>Item</i>	<i>Qty</i>	<i>Part no.</i>	<i>Description</i>	<i>Notes</i>
1	1	H29070	Spraystriker TR preassembled pump cabinet	
2	1	H40470	Liquid tank 350 l	
3	1	H40460	350 UTV beam frame	See page 12
4	1	H40472	Top plate	
5	2	H25660	90° hose fitting, male thread G 3/4 → D13	
6	1	H28562	T styck F 3/4" M 1"	
7	1	H40475	Diagonal bracket	
8	4	HF12431	Bolt M12x60 8.8 ZN DIN931	
9	5	HF15128	Washer DIN 125 ZN M12	
10	2	HF15068	Lock nut DIN 985/8 M12	
11	1	HF12670	Bolt M12x25 8.8 DIN933	
12	2	H28441	Plate	
13	1	H40473	Spraybar Height adjuster right	
14	1	H40471	Spraybar Height adjuster left	
15	1	H29173	Spraybar 0.8 m	See page 9
		H29174	Spraybar 1.2 m	See page 8
		H29154	Spraybar 2 m	See page 8

### PREASSEMBLED PUMP CABINET- H29070

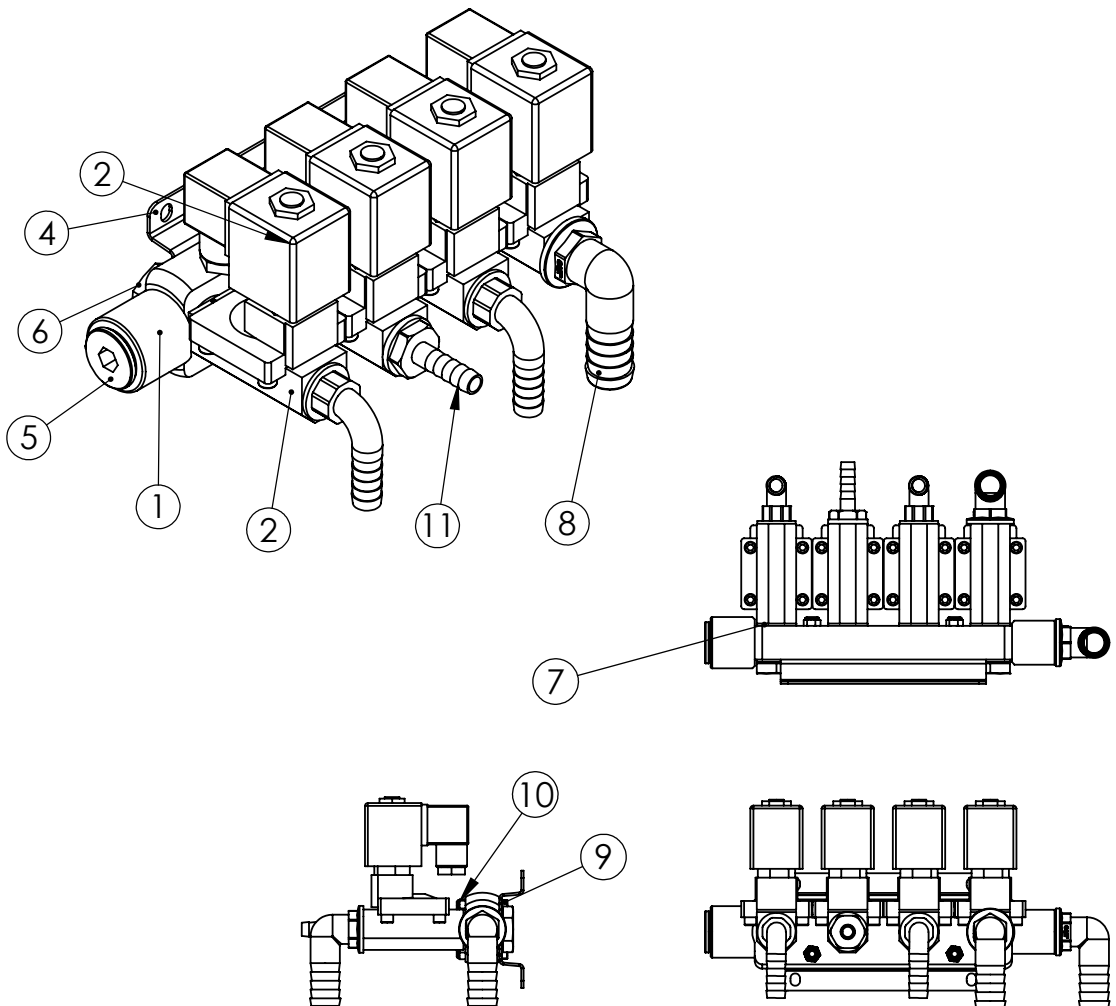


## PREASSEMBLED PUMP CABINET- H29070

Item	Qty	Part no.	Description	Notes
1	1	H28968	Pump cabinet	
2	1	H26972	Spreader module	
3	1	H28976	Cabinet lid	
4	1	H28985	Module bracket	
5	8	H29007	Rubber grommet	
6	2	H24606	Pull-down catch	
7	2	H28981	Lock plate	
8	1	H29001	Plate	
9	1	H28986	Cable bracket	
10	2	H28982	Hinge plate	
11	2	H28983	Hinge plate	
12	4	H21901	Cable gland M20x1,5	
13	1	H26091	Push button switch, mom. yellow	
14	1	H29009	Rubber door seal	
15	2	H29008	Rubber grommet	
16	1	H28984	Filter bracket	
17	1	H29005	90 degree female fitting 1/2"-->1/2"	
18	2	H29002	Suction filter preassembly	
19	1	H29157	Valve assembly 4x12VDC	See page 6
20	1	H29155	Weldnut plate	
21	1	H22224N	Beacon light low model	
22	1	H26900	Worklight Assembly	
23	1	H22540	Hose reel	
24	1	H29078	Hose reel assembly	
25	3	HF19123	ISO 7380 A4 M6x16	
26	1	HF12827	Bolt M8x16 8.8 DIN933 ZN	
27	1	HF15100	Lock nut DIN985 8,8Zn M8	
28	25	HF10438	In Hex Bolt M6x16 DIN 4762 A4	
29	4	HF19087	DIN 985 8.8Zn M6	
30	1	H26737	90deg fitting male/female G1/2"	
31	2	H22952	90deg. hose fitting male thread G1/2"-13mm	
32	1	H23026	Female Tee 1/2"	
33	1	H22955	Straight hose fitting, male thread G 1/2-20mm	
34	4	HF10479	Washer Washer DIN 125 M10 A4	
35	14	HF10512	DIN 985 A4 M6 DIN 985 A4 M6	
36	1	H25338	Pump with hose nipples	

## VALVE ASSEMBLY 4X12VDC - H29157

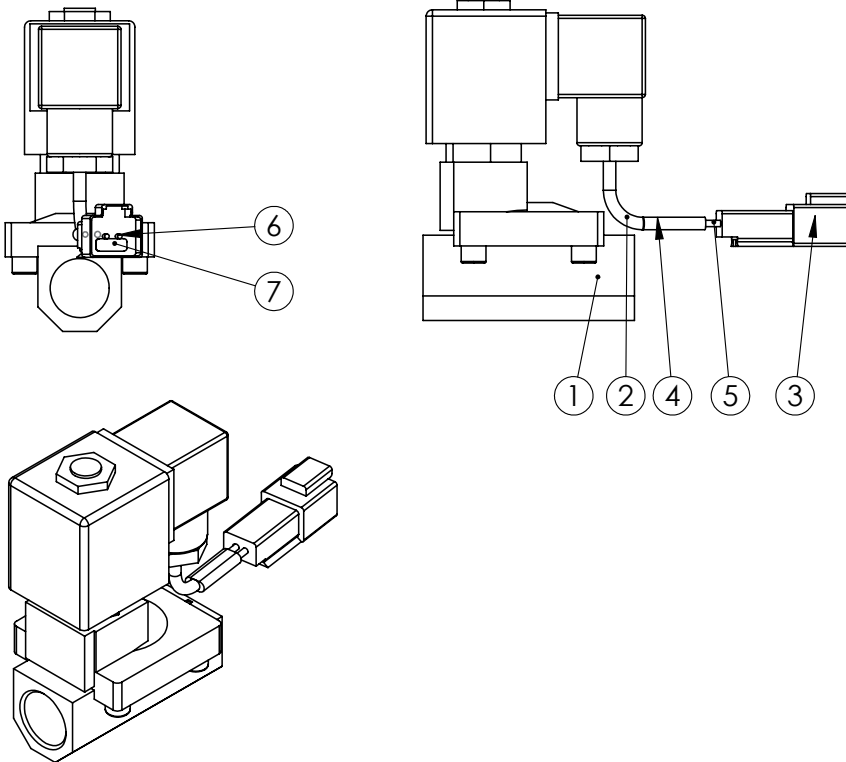
Item	Qty	Part no.	Description
1	1	H29184	Manifold SS 4x 2/2 valves
2	4	H28015	Electric valve 2/2 1/2" 12VDC assembly
3	2	H22952	90° hose fitting, male thread G 1/2
4	1	H28899	Bracket
5	1	H22581	Plastic plug
6	4	HH16089	Banjo bolt AISI316 R1/2" L=46
7	8	HH13113	Copper washer 21x27x1,5
8	2	H24601	90° hose fitting, male thread G 1/2 ->D20
9	4	HF12805	DIN933 8.8Zn M6x30
10	4	HF19087	DIN 985 8.8Zn M6
11	1	H22953	Straight hose fitting G 1/2-10





## ELECTRIC VALVE 2/2 1/2" 12VDC ASSEMBLY - H28015

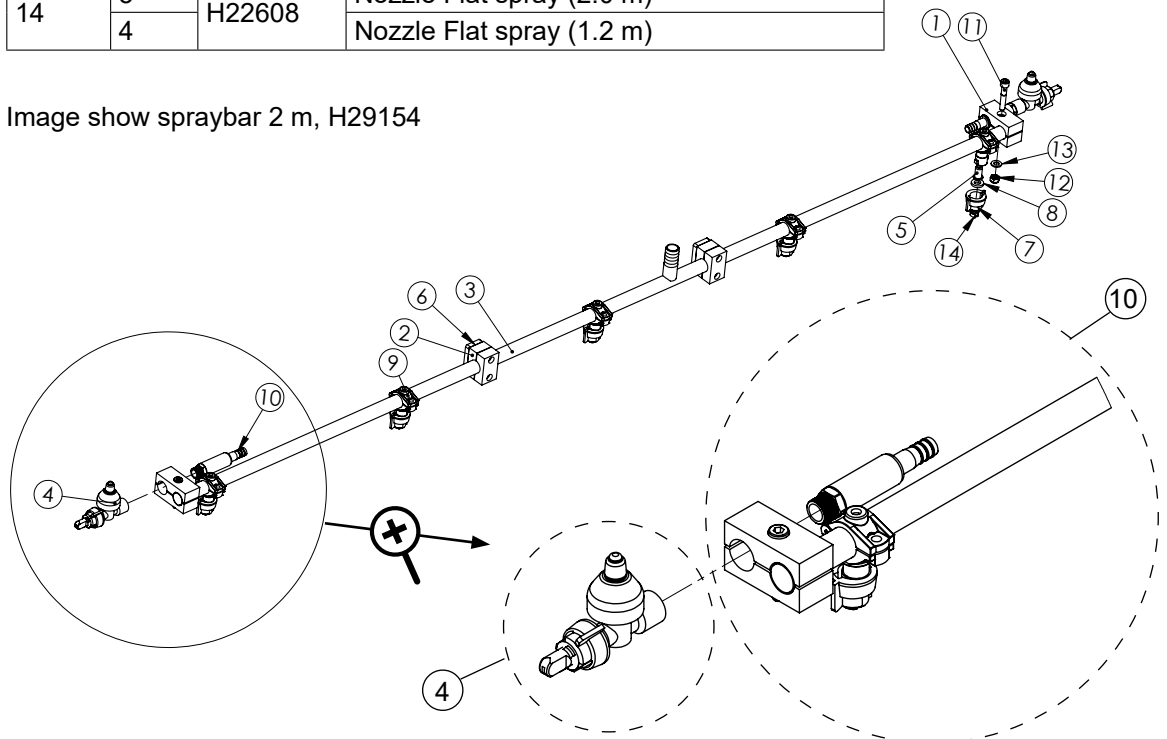
Item	Qty	Part no.	Description
1	1	H28825	Solenoid 2/2 valve 12VDC
2	1	H22183	Protective sleeve 4-9mm black
3	1	H21879	Receptacle, 2-Way
4	1	H22184	Heat Crimp Hose 9/3
5	2	H22350	Cable 1mm <sup>2</sup> black
6	2	H21883	Protective sleeve 4-9mm black
7	1	H21880	Wedgelock Recep., 2-Way



## SPRAYBAR ASSEMBLY - H29154, spraybar 2.0 m H29174, spraybar 1.2 m

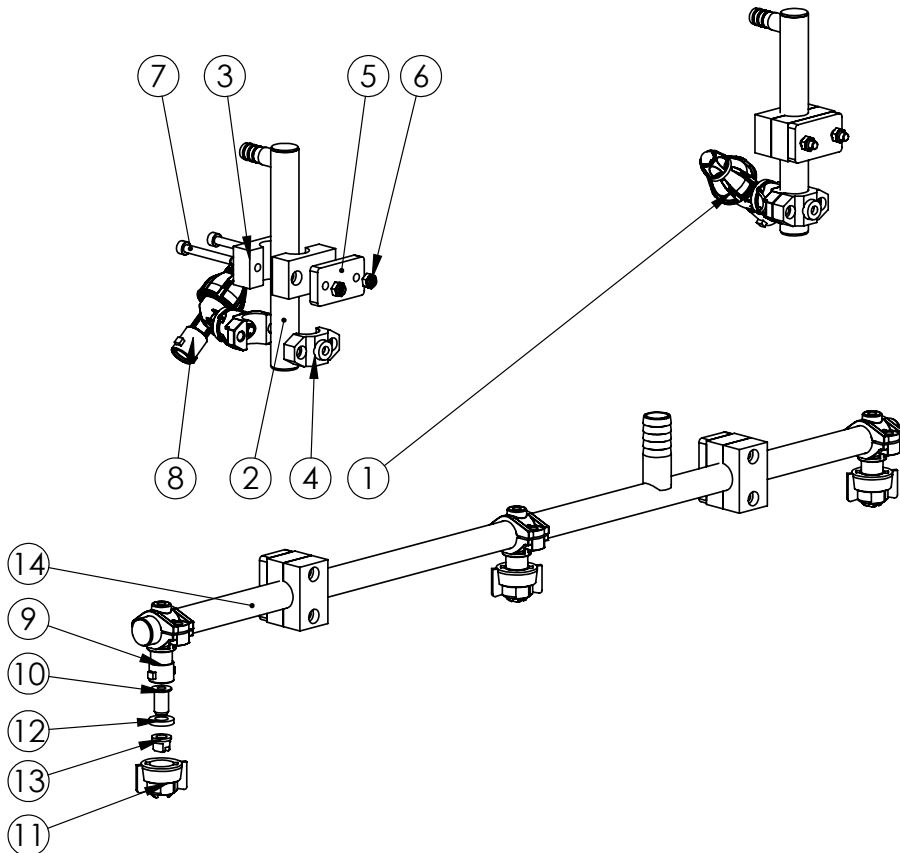
Item	Qty	Part no.	Description
1	4	H29139	Double Pipe holder
2	4	H29075	Clamp
3	1	H29109	2.0 m spraybar pipe assembly
	1	H29157	1.2 m spraybar pipe assembly
4	2	H23794	Directional side spray assembly, optional
5	5	H22612	Nozzle filter (2.0 m)
	4		Nozzle filter (1.2 m)
6	2	H29077	Distance plate
7	5	H22613	Nozzle cap (2.0 m)
	4		Nozzle cap (1.2 m)
8	5	H25859	Nozzle cap sealing (2.0 m)
	4		Nozzle cap sealing (1.2 m)
9	5	H24588	Nozzle holder (2.0 m)
	4		Nozzle holder (1.2 m)
10	2	H28936	2.0 m spraybar side spray, optional
11	2	HF12193	DIN 912 M8x45
12	2	HF15100	Lock nut DIN985 8,8Zn M8
13	2	HF10492	Washer M8 Washer
14	5	H22608	Nozzle Flat spray (2.0 m)
	4		Nozzle Flat spray (1.2 m)

Image show spraybar 2 m, H29154



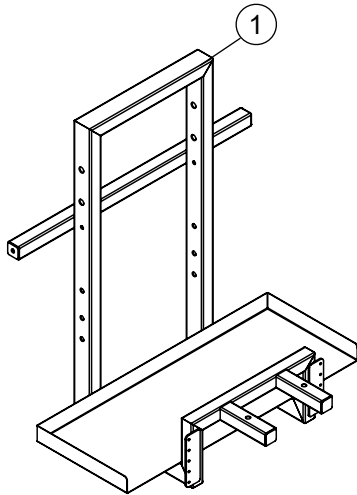
## SPRAYBAR ASSEMBLY - H29173, spraybar 0.8 m

Item	Qty	Part no.	Description
1	1	H24589	Nozzle holder, adjustable
2	2	H29076	Side spray pipe bracket
3	8	H29075	Clamp
4	2	H24638	Simple clamp
5	4	H29077	Distance plate
6	4	HF10512	LOCK NUT M6 A4 DIN985
7	4	HF10445	M6x50 DIN 4762 A4
8	1	H24589	Nozzle holder, adjustable
9	3	H24588	Nozzle holder
10	3	H22612	Nozzle filter
11	3	H22613	Nozzle cap
12	3	H25859	Nozzle cap sealing
13	3	H22608	Nozzle Flat spray
14	1	H29192	0.8 m weld pipe assembly

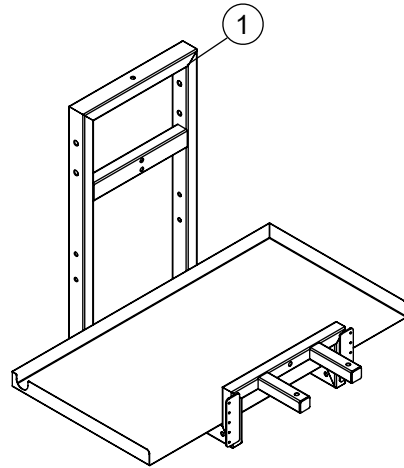


## BEAM FRAME

Item	Qty	Part no.	Description
1	1	H29056	Beam frame 250 TR
	1	H40460	Beam frame 350 UTV



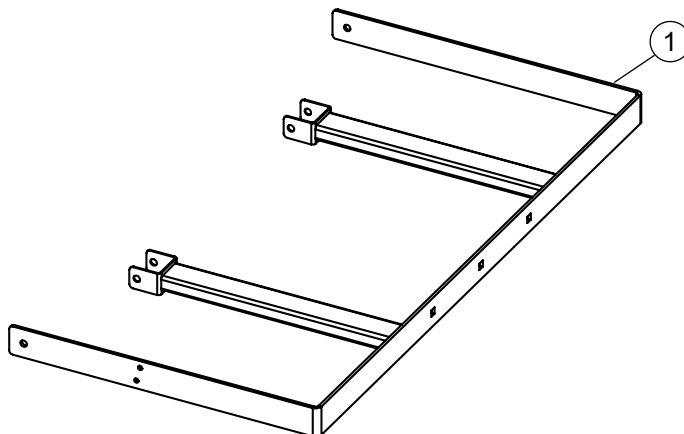
250 TR



350 UTV

## TANK HOLDER BRACKET 250 TR - H29062

Item	Qty	Part no.	Description
1	1	H29062	Tank holder bracket 250 TR



## ELECTRICAL COMPONENTS

<i>Item</i>	<i>Qty</i>	<i>Part no.</i>	<i>Description</i>
ns	1	H30341	Spreader module
ns	1	H30348	SprayStriker 250TR harness
ns	1	H30352	SprayStriker 250TR power supply harness
ns	1	H27351	Vehicle side power supply harness
ns	1	H30273	Phone for StrikeSmart



**Oy HillTip Ab**  
Pukkisaarentie 6  
FIN-68600 Pietarsaari  
Finland

+358 50 5983 026  
+358 50 3659 415  
[www.hilltip.com](http://www.hilltip.com)  
[info@hilltip.com](mailto:info@hilltip.com)