

## FC 120 S Mower



### Dokumenter

Hood and handlebar rod

---

Handle bars

---

Internals controls

---

Speed gears (Gearbox)

---

Speed-change gear box

---

Brake and wheels

---

Cam drive 69229092 (from November 2015)

---

Mechanical movement 69229027

---

Oil bath movement 69229032

---

Cutter bar 69222011 (from November 2015)

---

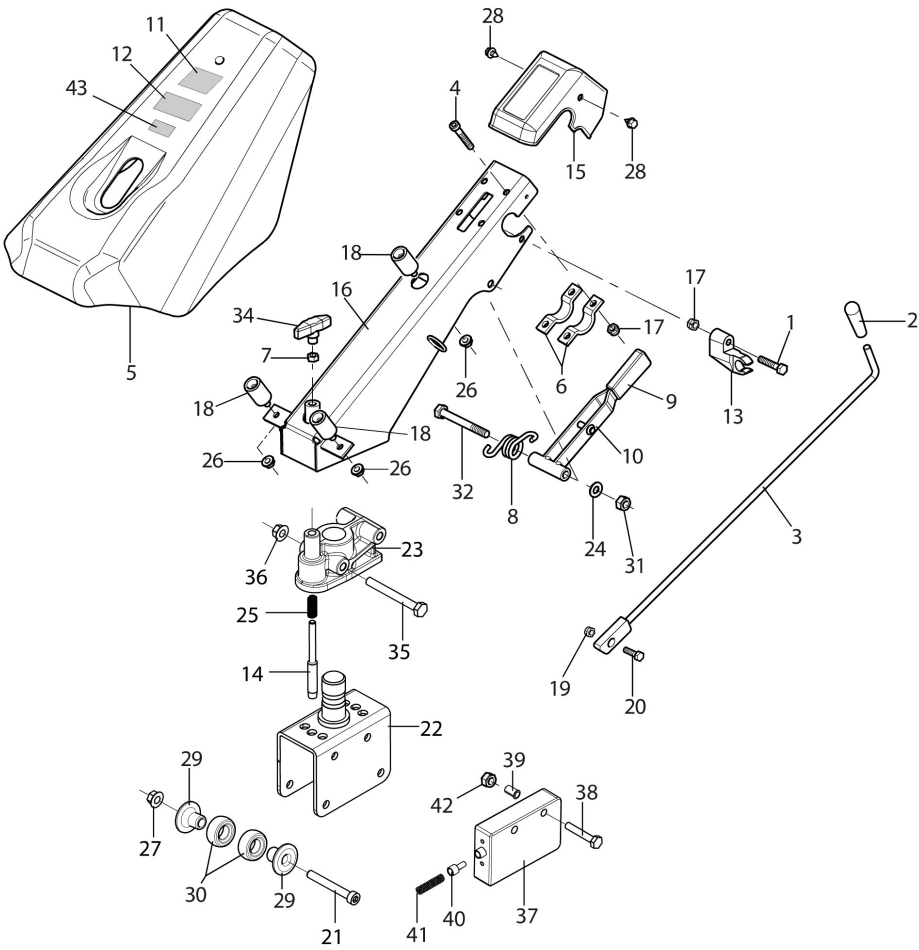
"UNIVERSAL" cutter bar 69229035/69229036

---

ESM "COMUNAL" cutter bar 69229037

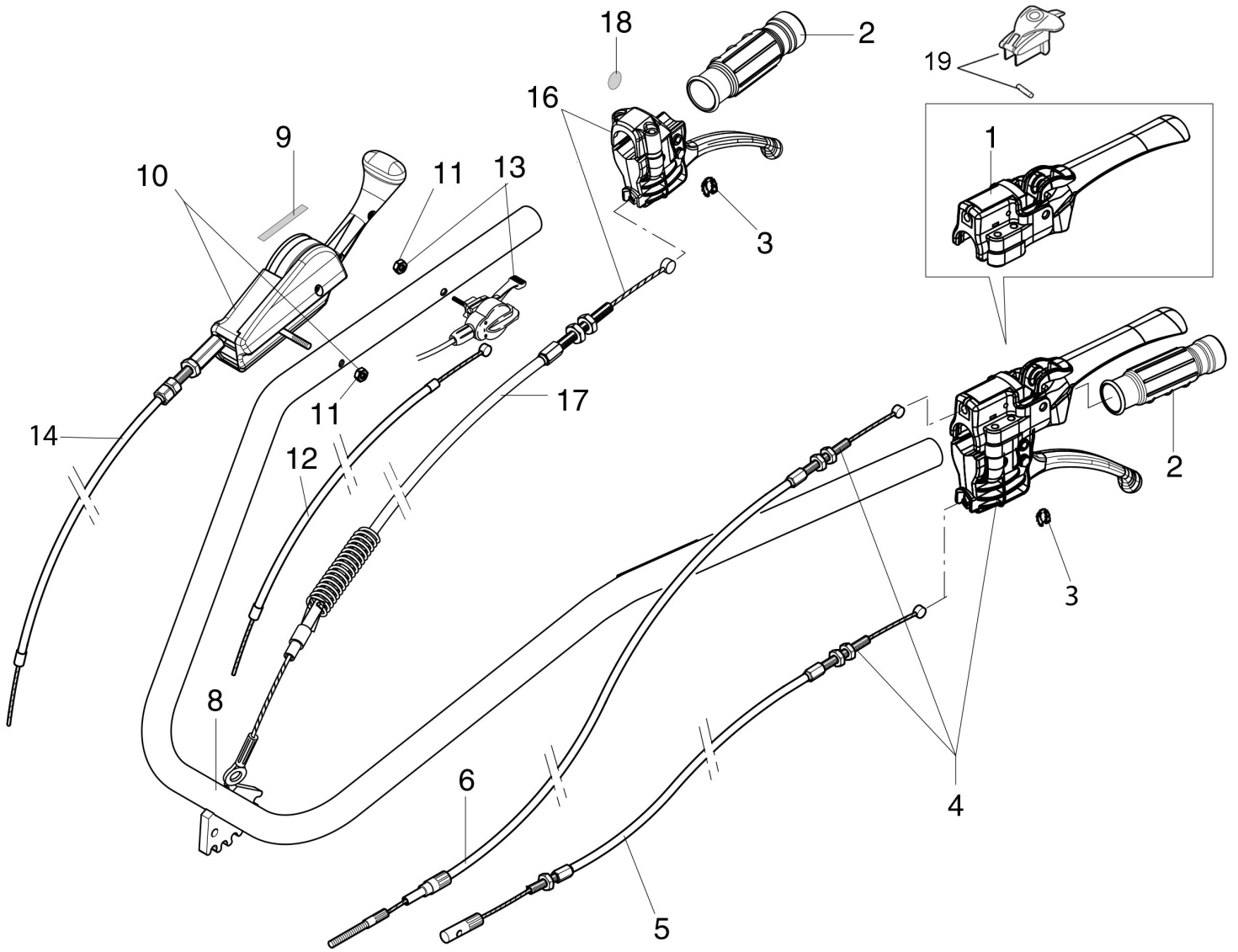
---

Illustration Hood and handlebar rod



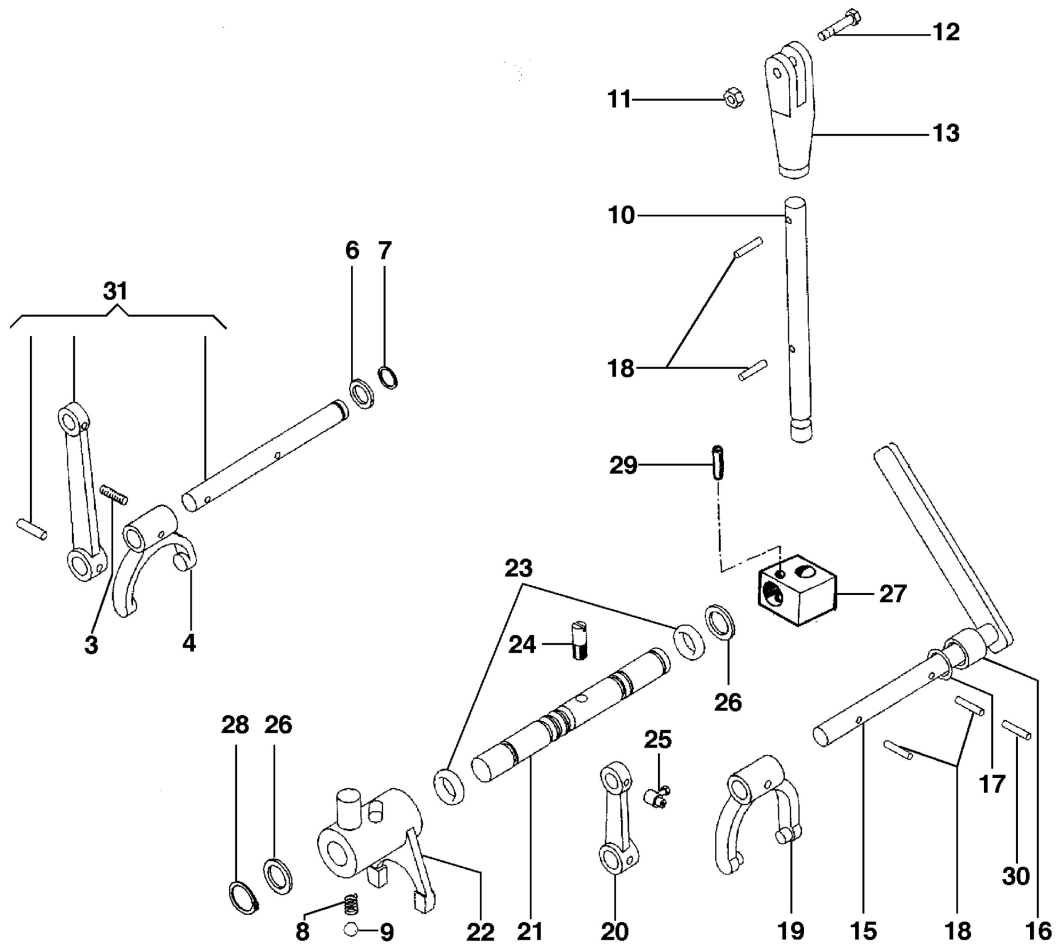
## Illustration Hood and handlebar rod

Ref.Nu	Qty	Part number	Description	Validity from	Validity till	Notes	Bulletin
1	1	3906075R	Screw				
2	1	YN3753600	Knob				
3	1	68310109R	Rod				
4	4	YN6289250	Screw				
5	1	YF1222100B	Hood			Azzurro ; Light blue	
6	2	YF1151601	Clamp				
7	1	YN1457300	Nut				
8	1	YF1291634B	Spring				
9	1	YN2840480	Knob				
10	1	YF1291636	Lever				
11	1	68250018R	Plate NIBBI				
12	1	68950010R	Mark (FC120S)				
13	1	YF1255009D	Support				
14	1	YF1251637	Shutter				
15	1	68240022R	Cover				
16	1	68910163AR	Handlebar rod				
17	2	3933032R	Nut				
18	3	YF0752159	Silent block				
19	1	3914006R	Nut				
20	1	3906016R	Screw				
21	2	YN1463650	Nut				
22	1	68950007R	Column support				
23	1	68610051R	Grip-end handlebar rod				
24	1	3916010R	Washer				
25	1	YK3503360	Spring				
26	7	320000028R	Nut				
27	2	YN6357200	Screw				
28	2	YN6243651	Screw				
29	4	YK3501080	plate				
30	4	YK0300910	Shock absorber				
31	1	3914014R	Nut				
32	1	YN6361500	Screw				
34	1	YN3753000	Knob				
35	2	YN6361500	Screw				
36	2	3914014R	Nut				
37	1	68350179R	Device EHS				
38	2	3801030R	Screw				
39	2	52040203R	Bushing				
40	1	68310127R	Bushing				
41	1	68310218R	Spring				
42	2	3980019R	Nut				
43	1	68350211R	Label (Ergonomic handling system)				



## Illustration Handle bars

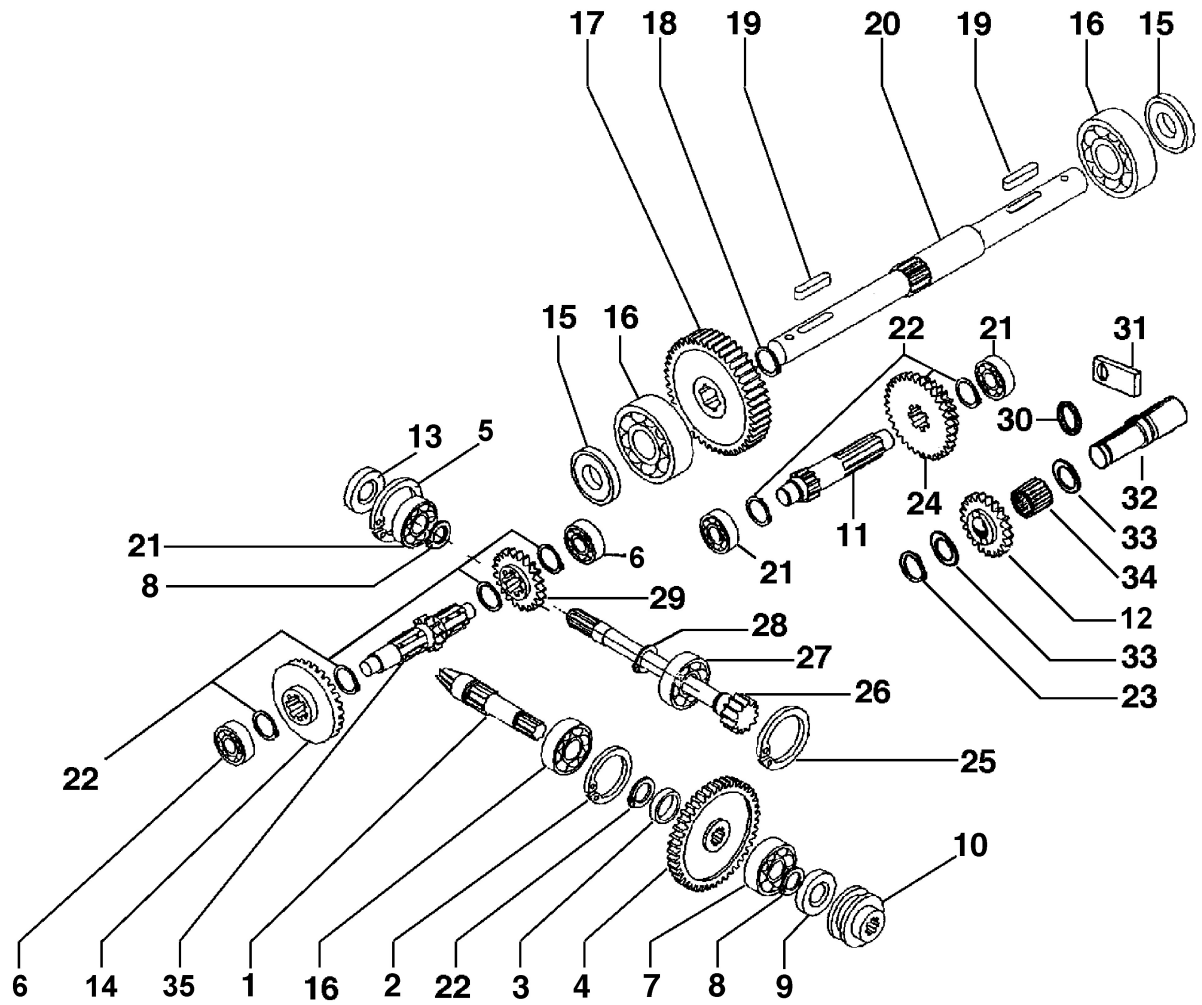
Ref.Nu	Qty	Part number	Description	Validity from	Validity till	Notes	Bulletin
1	1	68330249R	Lever				
2	2	68320126R	Knob				
3	1	F1370413	Clamp				
4	1	68310124R	Complete lever			Frizione ; Clutch	
5	1	68310130R	Transmission			Da abbinare al	
6	1	68310129R	Transmission			cod.F1370413 (rif.3); To be	
8	1	68310123R	Handlebar			matched n/n.F1370413	
9	1	68310126R	Label				
10	1	68310125R	Control lever			P.D.F.	
11	2	3914006R	Nut				
12	1	YN5467270	Transmission			Motori / Motor EMAK K800H	
12	1	68330193R	Transmission			Motori / Motor Honda	
12	1	68330196R	Cable			Motori / Motor Kohler	
13	1	3044010R	Set (Cable Motor-stop - Fuel control - Button)			CH270	
14	1	68310131R	Transmission				
16	1	68350105R	Control lever			Freno Dx ; Right brake	
17	1	68350219R	Cable			Da abbinare al	
18	1	68350196R	Mark			cod.F1370413 (rif.3); To be	
19	1	68240000R	Hook			matched n/n.F1370413	



## Illustration Internals controls

Ref.Nu	Qty	Part number	Description	Validity from	Validity till	Notes	Bulletin
3	1	YK3501070	Screw				
4	1	YK3500940	Clip				
6	1	YN5001700	Washer				
7	1	3024012R	Snap ring				
8	1	YN3101500	Spring				
9	1	YN4743200	Ball				
10	1	YF1241613	Lever				
11	1	3914006R	Nut				
12	1	3801024R	Screw				
13	1	YF1241619	Bushing				
15	1	YF1241623	Shaft (Complete)				
16	1	YN0403000	Bushing				
17	1	3916012R	Washer				
18	1	YN5113800	Pin				
19	1	YK3500140	Clip				
20	1	YK3500510	Lever				
21	1	YF1241615E	Shaft				
22	1	YF1250860D	Fork				
23	1	YN0306000	O-ring				
24	1	YF1250816C	Screw				
25	1	YN5901500	Clamp				
26	1	YN5002600	Thickness			SP. 0,5mm ; THK 0.5mm	
26	1	YN5002610	Thickness			SP. 1mm ; THK 1mm	
27	1	YF1241616	Support				
28	1	3024016R	Seeger				
29	1	YN5126100	Pin				
30	1	YN5101450	Pin				
31	1	YF1250856	Control rod				

Illustration Speed gears (Gearbox)

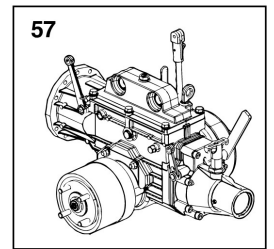
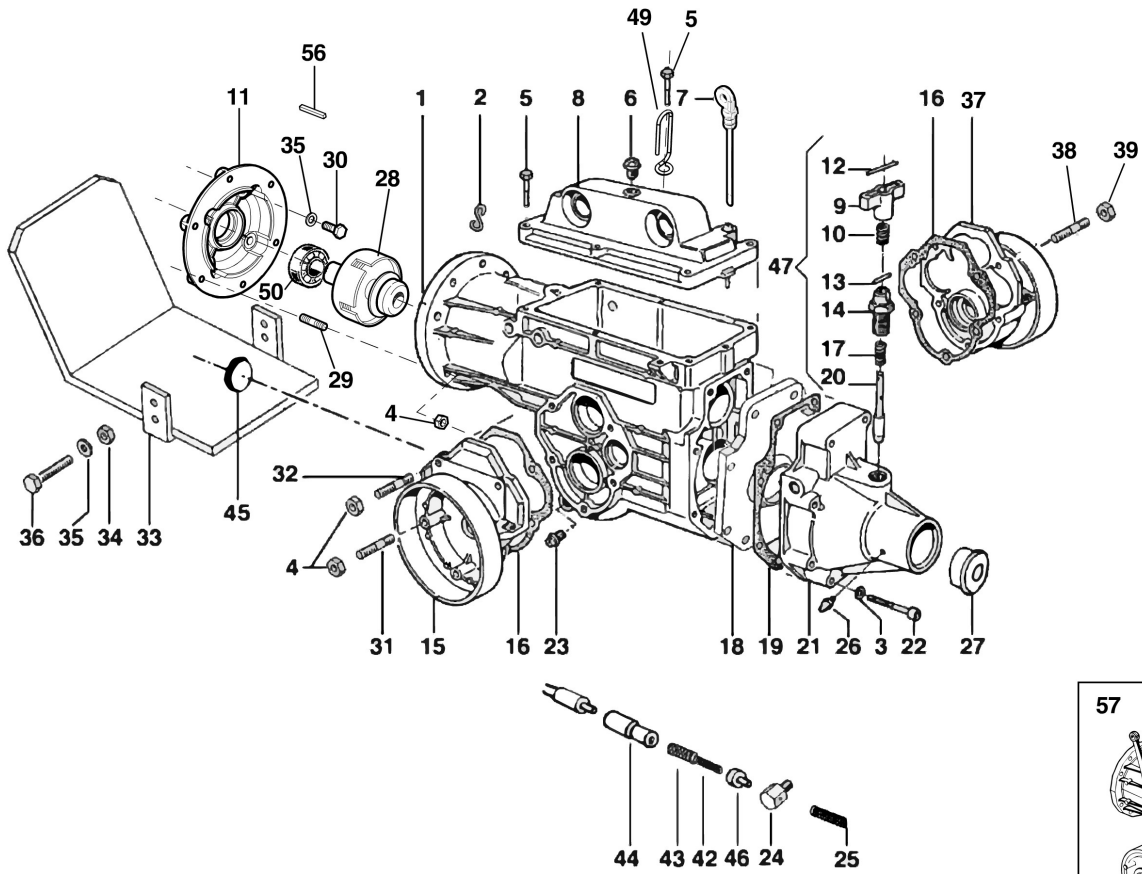




## Illustration Speed gears (Gearbox)

Ref.Nu	Qty	Part number	Description	Validity from	Validity till	Notes	Bulletin
1	1	YF1250809	Sprocket				
2	1	YN0130900	Seeger				
3	1	YF1250808	Spacer				
4	1	YF1250804	Gear				
5	1	3025022R	Seeger				
6	1	094000006R	Bearing				
7	1	YN1257700	Bearing				
8	1	3024015R	Seeger				
9	1	YK7032002	Ring				
10	1	YF1250805	Shaft joint				
11	1	YF1250812	Gear				
12	1	YF1240805	Gear				
13	1	YN0204850	Ring				
14	1	YF1250810	Rim				
15	3	YN0207300	Seal ring				
16	3	YN1263100	Bearing				
17	1	YF1250813	Gear				
18	1	YN0118500	Seeger				
19	1	YK7811007	Key				
20	1	YF1250814	Axle				
21	3	YN1257000	Bearing				
22	1	3024020R	Seeger				
23	1	3024012R	Snap ring				
24	1	YF1240801	Gear				
25	1	YN0130000	Seeger				
26	1	YF1240800	Shaft				
27	1	YN1258800	Bearing				
28	1	YN0112700	Seeger				
29	1	YF1250861	Gear				
30	1	YN0306000	O-ring				
31	1	YF1240803	Plate				
32	1	YF1240806	Pin				
33	2	YN5001750	Thickness				
34	1	3037026R	Roller cage				
35	1	YF1250811	Shaft				

# Illustration Speed-change gear box



## Illustration Speed-change gear box

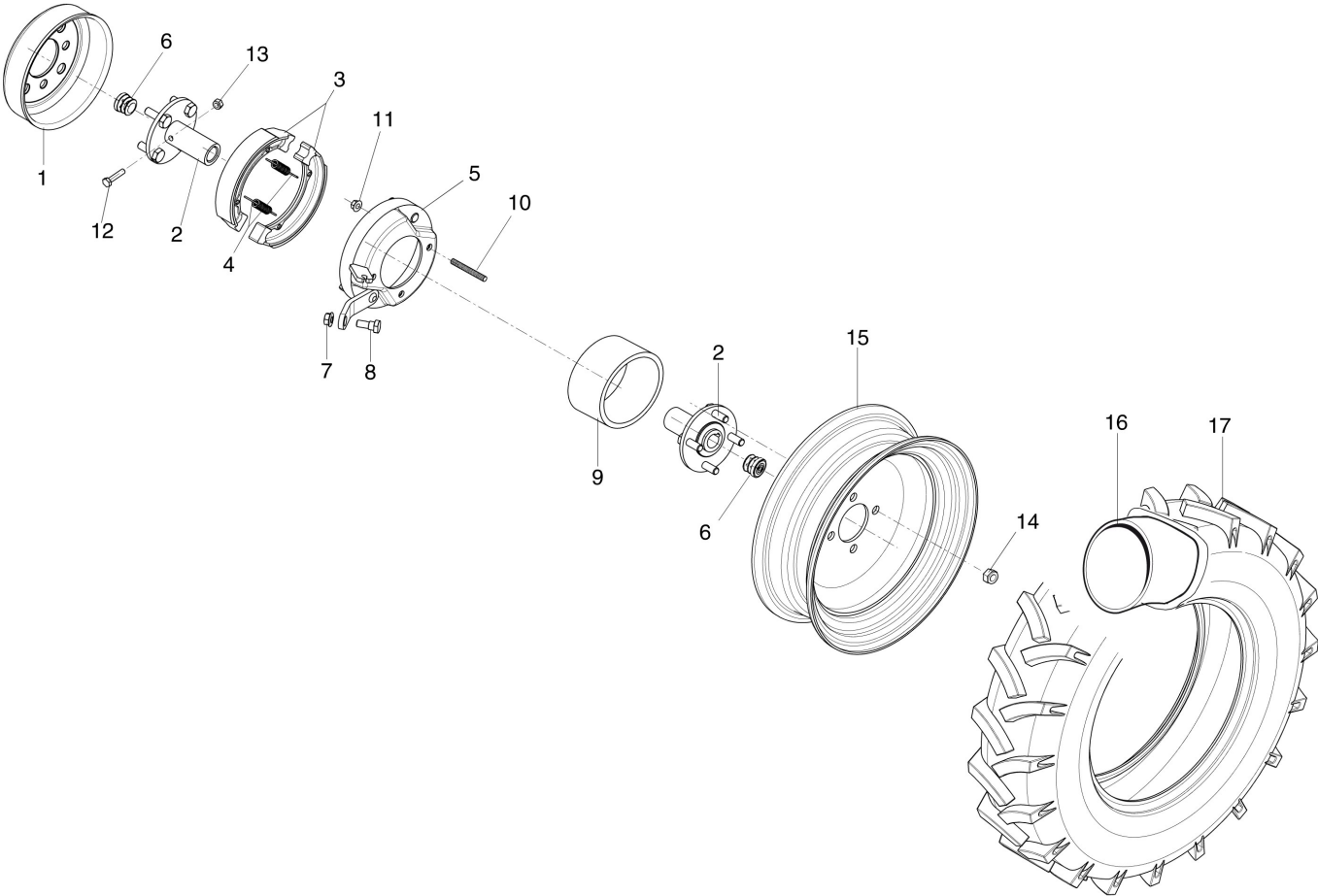
Ref.Nu	Qty	Part number	Description	Validity from	Validity till	Notes	Bulletin
1	1	YF1250822	Speed-change gear box				
2	1	F0005621	Hook				
3	8	YN4365400	Washer				
4	11	3933032R	Nut				
5	6	3906065R	Screw				
6	1	YN5253930	Cap				
7	1	YK3500410	Rod				
8	1	YK3500400E	Cover				
9	1	YK3500330A	Knob				
10	1	YK7903016	Spring				
11	1	68310038AR	Flange				
12	1	YN5106600	Pin				
13	1	3022012R	Pin				
14	1	YF1250843	Shutter				
15	1	YK3500420	Cover (Wheel)			Destra; Right	
16	1	YK3500470	Gasket				
17	1	YK3503360	Spring				
18	1	YF1250806	Flange				
19	1	YK3500460	Gasket				
20	1	YF1250842	Shutter				
21	1	YF1250807	Support				
22	8	YN6291000	Screw				
23	1	YK8536001	Cap				
24	1	YF1241618	Retainer (Sheath)				
25	1	YK7903009	Spring				
26	1	YN2603800	Nipple				
27	1	321000001R	Cap				
28	1	68310041R	Clutch 3 disk				
29	4	YN3815300	Stud				
30	4	3906070R	Screw			Motori / Motor EMAK K800H	
30	4	YN6243980	Screw			Motori / Motor Honda GX160; Kohler CH270	
31	3	YN3825650	Stud				
32	4	N3814800	Stud				
33	1	68640136DR	Guard				
34	1	320000028R	Nut				
35	4	YN4365400	Washer			Motori / Motor Honda	
36	4	3806074R	Screw				
37	1	68950001R	Cover (Wheel)			Sinistro; Left	
38	3	3979036R	Stud				
39	3	3933032R	Nut				
42	1	YK7903004	Spring				
43	1	YK7903018	Spring				
44	1	YK1101850	Spring holder				
45	1	YN5265050	Cap				

## Illustration Speed-change gear box

---

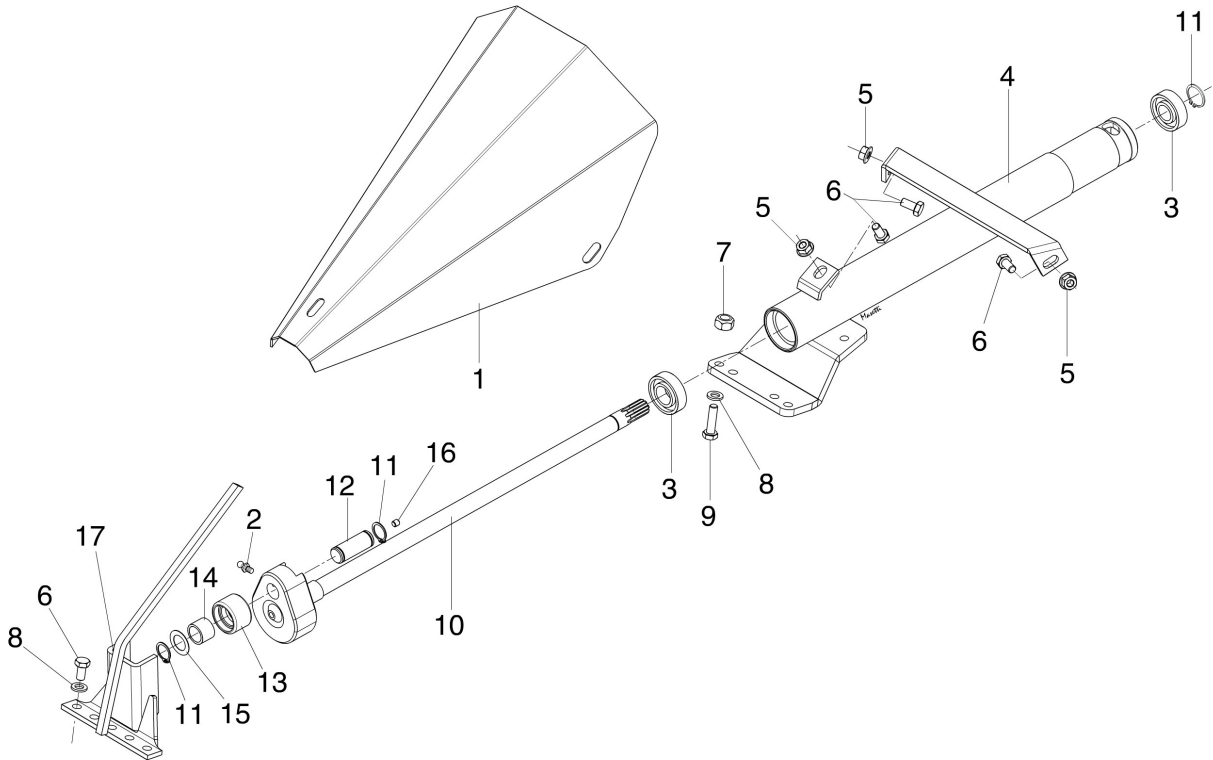
Ref.Nu	Qty	Part number	Description	Validity from	Validity till	Notes	Bulletin
46	1	YN5852100A	Clamp				
47	1	YR0000127	Shutter set				
49	1	F1271626	Slide				
50	1	N1289300R	Bearing				
56	1	YN0643450	Key				
57	1	68952001R	Unit (Gear)				

Illustration Brake and wheels



## Illustration Brake and wheels

Ref.Nu	Qty	Part number	Description	Validity from	Validity till	Notes	Bulletin
1	1	YN2382700	Cable reel				
2	2	YF1254720	Hub				
3	2	YN2362700	Brake shoe				
4	2	YN3105100	Spring				
6	2	3045013R	Cap				
7	1	3933032R	Nut				
8	1	68350150R	Pin				
9	1	YF1254719	Guard				
10	3	3979036R	Stud				
11	3	3933032R	Nut				
12	2	YN6234500	Screw				
13	2	3914006R	Nut				
14	8	3914001R	Nut				
15	2	69200098R	Rim			4.00-8"	
16	2	YN4881100	Inner tube			4.00-8"	
17	2	YN4851600	Tire			4.00-8"	

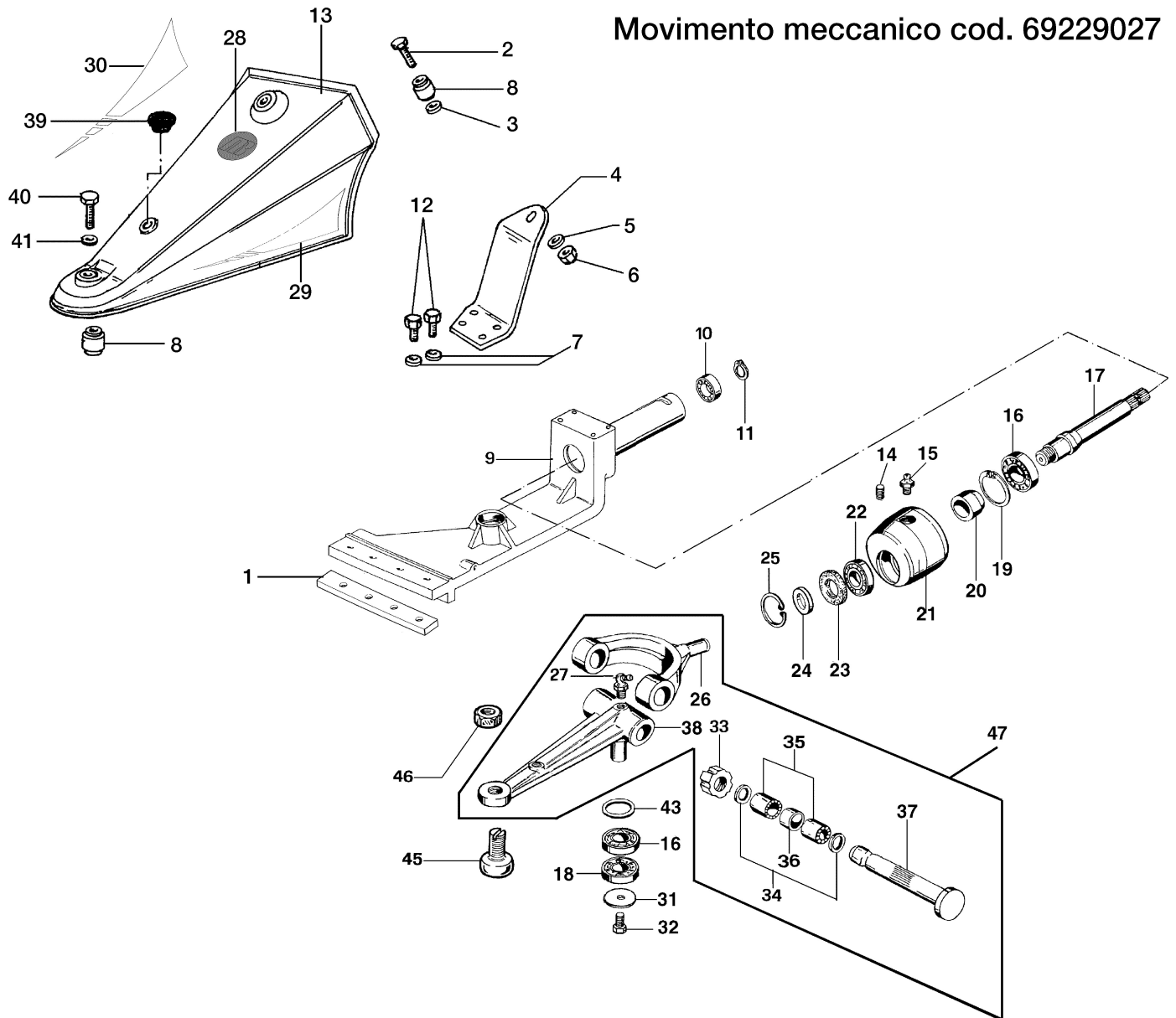


## Illustration Cam drive 69229092 (from November 2015)

Ref.Nu	Qty	Part number	Description	Validity from	Validity till	Notes	Bulletin
1	1	LS611059	Hood			Rosso ; red	
2	1	LS500001	Nipple				
3	2	LS591007	Bearing				
4	1	LS611040	Supporting frame				
5	12	LS7060008	Nut				
6	8	LS7000816	Screw				
7	4	LS7310002	Nut				
8	6	LS7092901	Washer				
9	4	LS7000835	Screw				
10	1	LS611041	Shaft				
11	3	LS594017	Snap ring				
12	1	LS611048	Pin				
13	1	LS611043	Bushing				
14	1	LS591030	Ring				
15	1	LS591031	Washer				
16	1	LS7110606	Grub screw				
17	1	LS611049R	Head blade				



Movimento meccanico cod. 69229027



## Illustration Mechanical movement 69229027

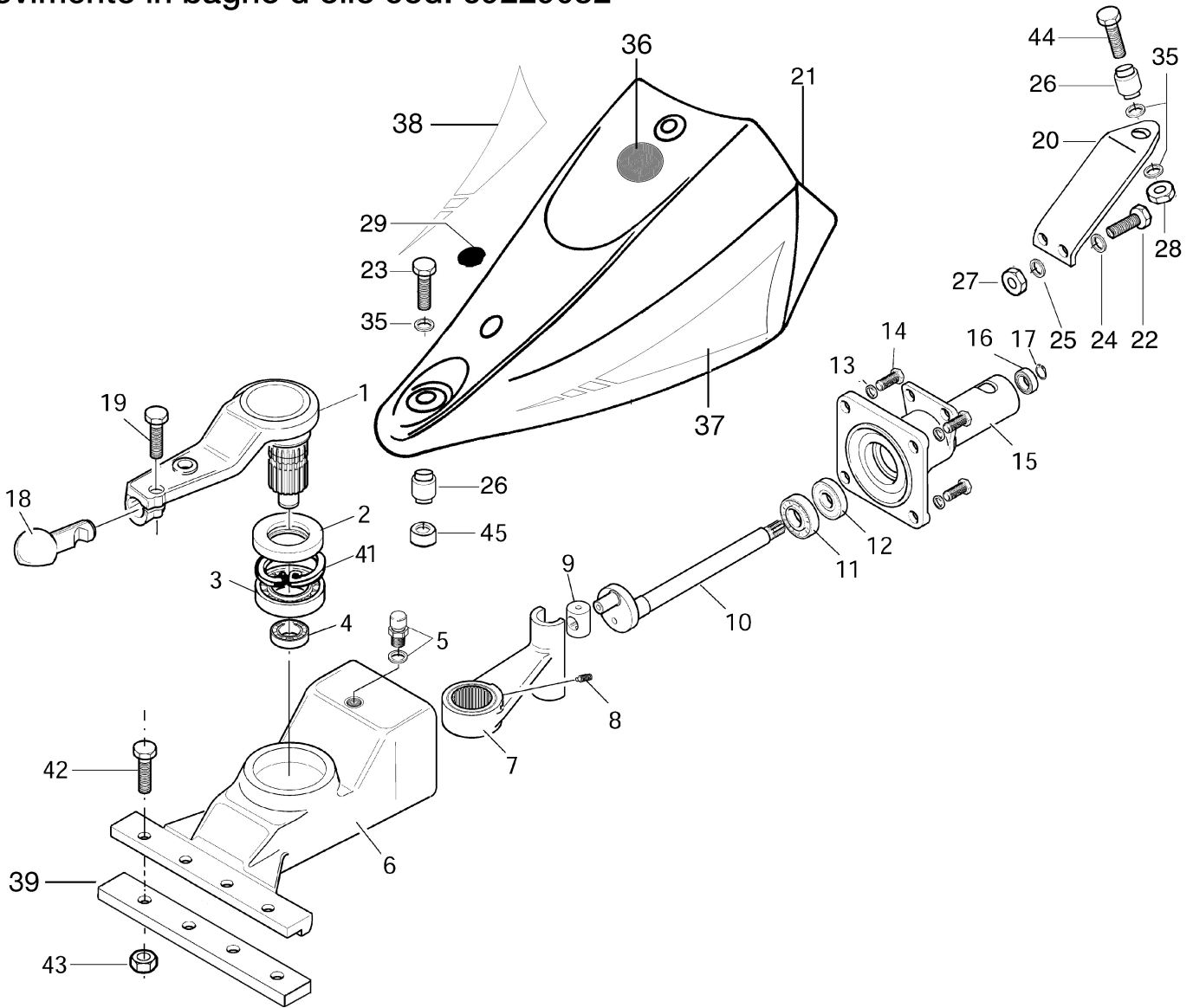
Ref.Nu	Qty	Part number	Description	Validity from	Validity till	Notes	Bulletin
1	1	L0081100	Washer			Utilizzare con ruote > 4.00/5.00-10"; Use with wheels > 4.00/5.00-10"	
2	1	N6399710	Screw				
3	1	3916012R	Washer				
4	1	F1073346	Support				
5	1	3916012R	Washer				
6	1	YN1470200	Nut				
7	1	3819013R	Grower				
8	2	N4924000R	Silent block				
9	1	F1253002	Support				
10	1	YN1257600	Bearing				
11	1	3024015R	Seeger				
12	1	3806063R	Screw				
13	1	69222001	Hood			Rosso; Red	
14	1	K8719008	Screw				
15	1	YN2605600	Nipple				
16	1	YN1271100	Bearing				
17	1	F1253004	Shaft				
18	1	N1270400	Bearing				
19	1	YN0136800	Seeger				
20	1	YF1073145	Spacer				
21	1	YF1073105	Floating head				
22	1	N1258301	Bearing				
23	1	YN0207500	Ring				
24	1	YN4429200	Washer				
25	1	YN0130000	Seeger				
26	1	F1073513R	Clip				
27	1	YN2605600	Nipple				
28	1	68250018R	Plate NIBBI			Su richiesta; Upon request	
29	1	68910014	Mark			Su richiesta; Upon request	
30	1	68910015	Mark			Su richiesta; Upon request	
31	1	YF1073372	Washer				
32	1	N6320500	Screw				
33	1	N2101600	Ring nut				
34	1	N5002850R	Spacer				
35	1	YN1261350	Bearing				
36	1	YF1073190	Spacer				
37	1	F1073191R	Pin				
38	1	YF1073375	Connecting rod				
39	1	YN5265900	Cap				
40	1	N6399710	Screw				
41	1	3916012R	Washer				
43	1	YN5005400	Spacer				
45	1	YF1073260	Pin				
46	1	N1474500	Nut				

## Illustration Mechanical movement 69229027

---

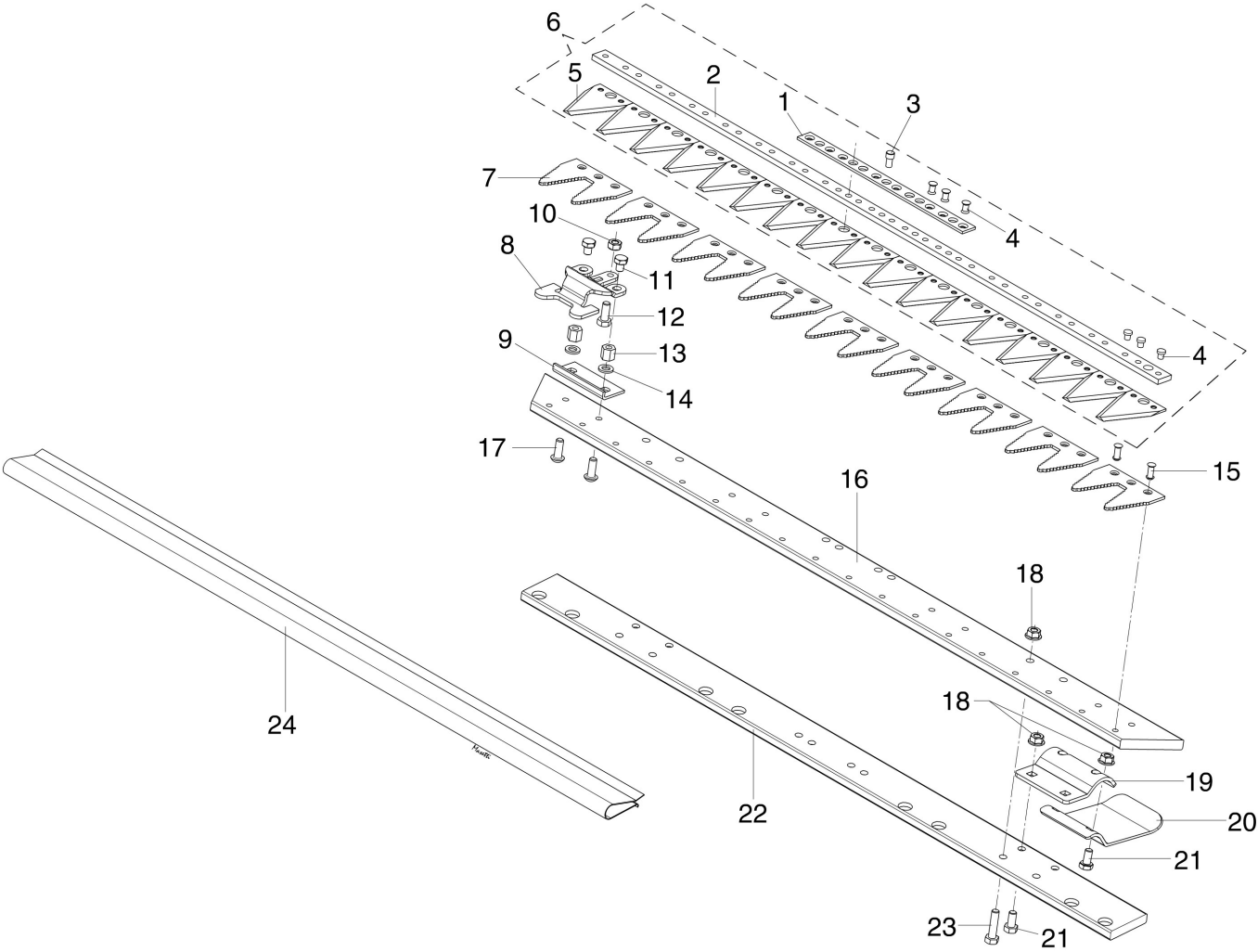
Ref.Nu	Qty	Part number	Description	Validity from	Validity till	Notes	Bulletin
47	1	P0001289	Support kit				

### Movimento in bagno d'olio cod. 69229032



## Illustration Oil bath movement 69229032

Ref.Nu	Qty	Part number	Description	Validity from	Validity till	Notes	Bulletin
1	1	69220060R	Connecting rod				
2	1	YN0222805	Ring				
3	1	YN1289200	Bearing				
4	1	YN1263701	Bearing				
5	1	YK4101420	Cap				
6	1	F1303100B	Housing				
7	1	F1303102DR	Connecting rod				
8	1	N6251000	Screw				
9	1	YF1303106	Switch				
10	1	YF1303162	Shaft				
11	1	YN1272501	Bearing				
12	1	YN0210045	Ring				
13	1	3819014R	Grower				
14	1	3806094R	Screw				
15	1	YF1303161A	Cover				
16	1	YN1257600	Bearing				
17	1	3024015R	Seeger				
18	1	YF1303155B	Pin				
19	1	3806094R	Screw				
20	1	F1303125	Support				
21	1	YPA001254	Hood				
22	1	3806067R	Screw				
23	1	N6399710	Screw				
24	1	3819013R	Grower				
25	1	3916008R	Washer				
26	1	N4924000R	Silent block				
27	1	320000028R	Nut				
28	1	YN1470200	Nut				
29	1	YN5265900	Cap				
35	1	3916012R	Washer				
36	1	68250018R	Plate NIBBI			Su richiesta; Upon request	
37	1	68910014	Mark			Su richiesta; Upon request;	
38	1	68910015	Mark			Su richiesta; Upon request;	
39	1	L0081100	Washer			DX: RIGHT Utilizzare con ruote > di	
41	1	N0140800	Seeger				
42	1	YN6332800	Screw				
43	1	YN1463650	Nut				
44	1	N6399710	Screw				
45	1	F1303133	Spacer				

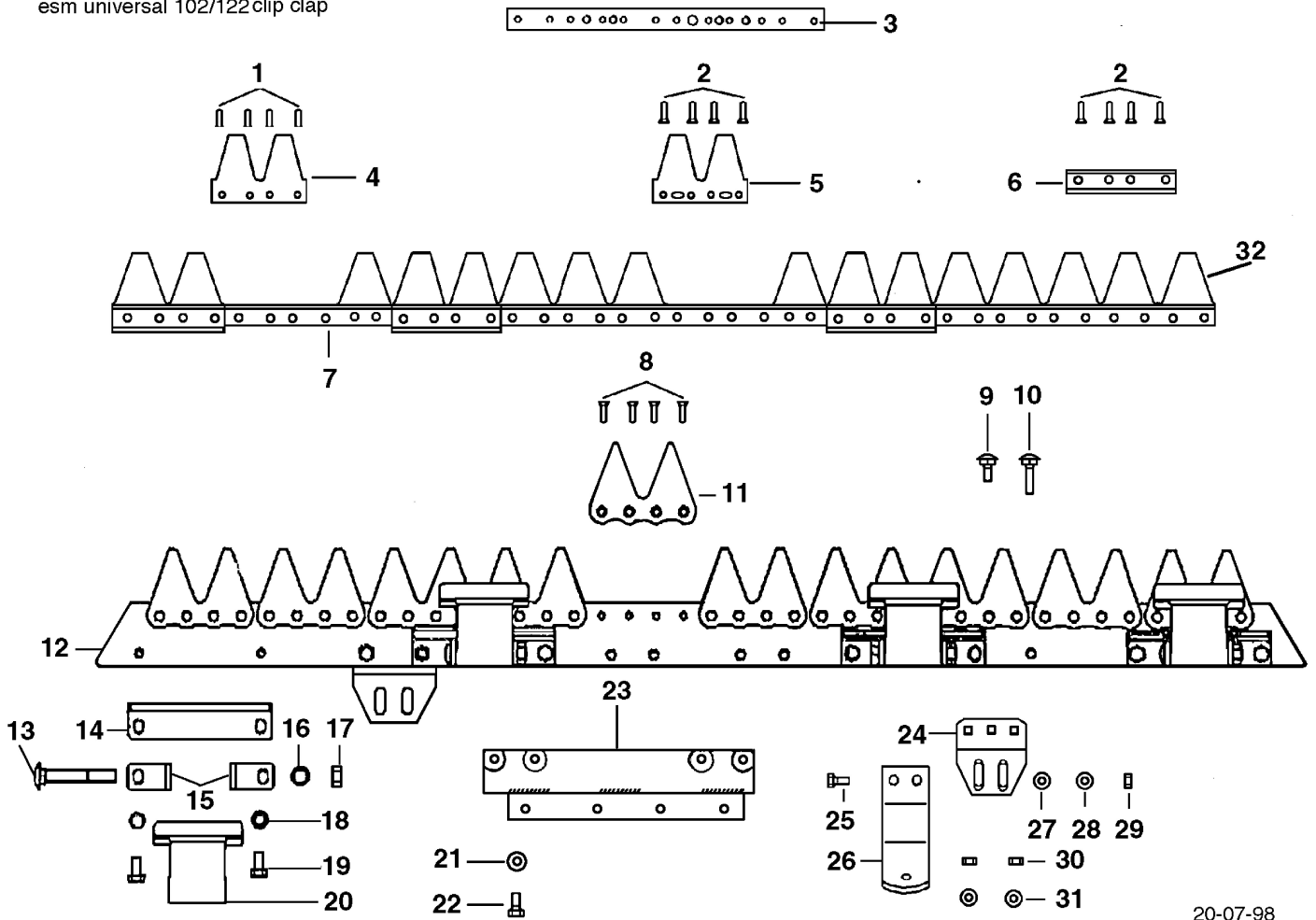


## Illustration Cutter bar 69222011 (from November 2015)

Ref.Nu	Qty	Part number	Description	Validity from	Validity till	Notes	Bulletin
1	1	LS625217	Plate				
2	1	LS3417125	Tube				
3	1	LS625049R	Pin				
4	34	YLS628065	Rivet				
5	17	LS310067R	Blade				
6	1	LS471704R	Bar assy 92 cm				
7	9	LS623122R	Tooth (Double)				
8	4	LS621230	Pressblade				
9	4	LS621139	Blades support				
10	4	LS7020008	Nut				
11	8	LS7000810	Screw				
12	4	LS7000820	Screw				
13	8	LS621135R	Spacer				
14	8	LS7090008	Washer				
15	18	LS215619R	Rivet				
16	1	LS626911	Plate			cm.92	
17	8	LS7190822	Screw				
18	12	LS7060008	Nut				
19	2	LS621136R	Support				
20	2	LS621172	Sliding block				
21	8	LS7000816	Screw				
22	1	LS621199	Counterweight				
23	4	LS7000825	Screw				
24	1	LS625055	Guard 92 cm				

Illustration "UNIVERSAL" cutter bar 69229035/69229036

esm universal 102/122 clip clap



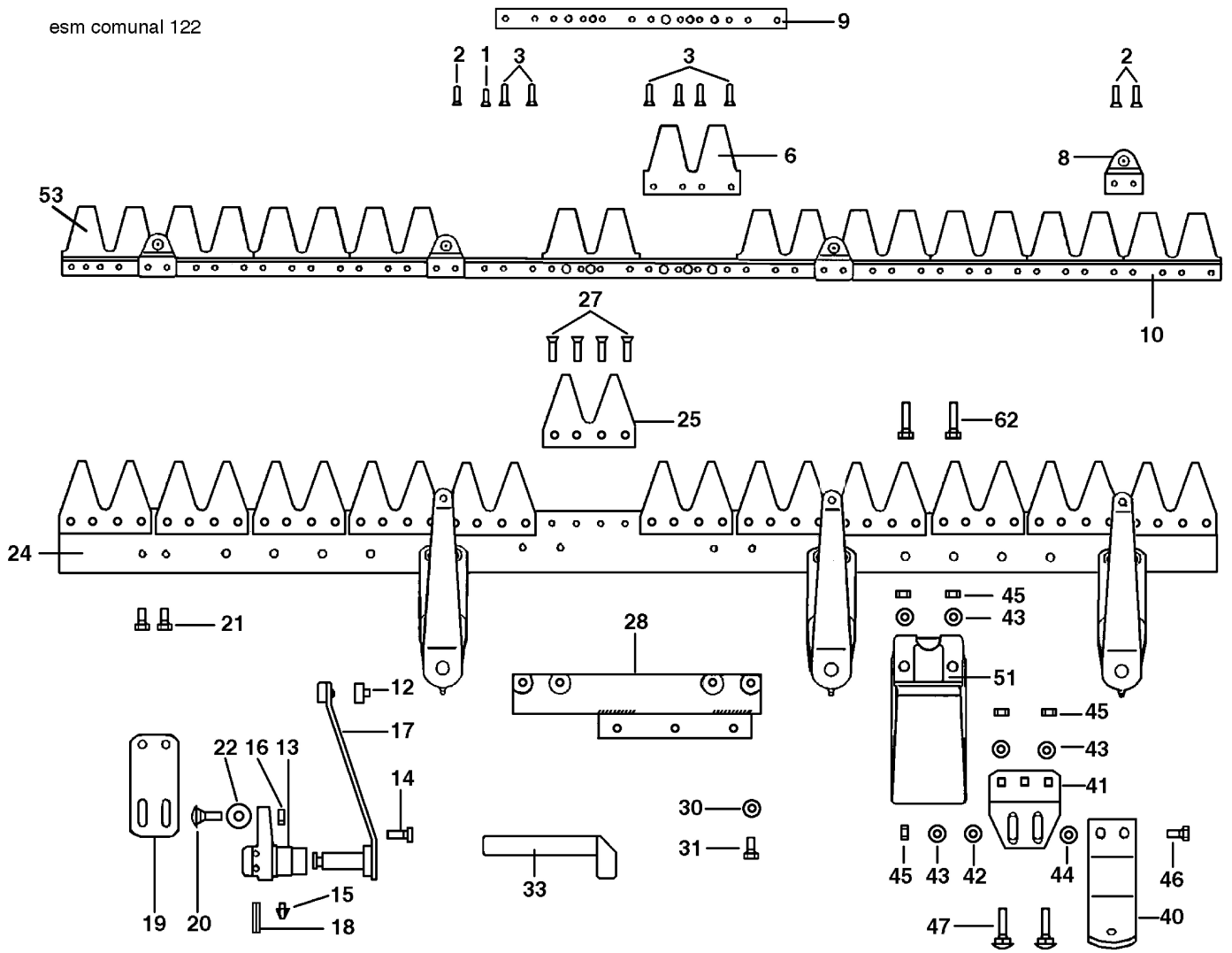
20-07-98



## Illustration "UNIVERSAL" cutter bar 69229035/69229036

Ref.Nu	Qty	Part number	Description	Validity from	Validity till	Notes	Bulletin
1	1	R1504705	Rivet				
2	1	R1504706	Rivet				
3	1	F1073501	Plate				
4	1	F1073451	Shear blade (Double)				
5	1	F1073452	Shear blade (Double)				
6	1	F1073453	Slide				
7	1	YF1073468	Shear blade			122 cm	
7	1	F1073502	Back (Blade)			102 cm	
8	1	N0892500	Rivet				
9	-		Not available for this product				
10	-		Not available for this product				
11	1	F1073456	Tooth (Double)				
12	1	F1073506	Back (Bar)			122 cm	
12	1	F1073505	Back (Bar)			102 cm	
13	1	F1073462	Screw				
14	1	F1073458	Plate				
15	1	F1073459	Bracket				
16	-		Not available for this product				
17	1	N1464800	Nut				
18	-		Not available for this product				
19	1	3806063R	Screw				
20	1	F1073457	Pusher				
21	1	YN4365400	Washer				
22	1	YN6254600	Screw				
23	1	F1073401	Connection plate				
24	1	F1073430	Attachment (Sole)				
25	1	3806067R	Screw				
26	1	F1073428	Sole				
27	1	3916008R	Washer				
28	1	YN4365400	Washer				
29	1	R1504723	Nut				
30	-		Not available for this product				
31	-		Not available for this product				
32	1	YF1073468	Shear blade			122 cm	
32	1	YF1073467	Shear blade			102 cm	

Illustration ESM "COMUNAL" cutter bar 69229037



## Illustration ESM "COMUNAL" cutter bar 69229037

Ref.Nu	Qty	Part number	Description	Validity from	Validity till	Notes	Bulletin
1	1	R1504705	Rivet				
2	1	R1504706	Rivet				
3	1	F1073441	Rivet				
6	1	R1504709	Shear blade (Double)				
8	1	R1504764	Support				
9	1	F1073438	Plate				
10	1	YF1073409	Shear blade			122 cm	
12	1	R1504773	Bushing				
13	1	R1504768	Support				
14	1	R1504769	Screw				
15	1	R1504770	Nipple				
16	1	R1504723	Nut				
17	1	R1504772	Swing arm				
18	1	R1504771	Pin				
19	1	F1073436	Plate				
20	1	F1073442	Screw				
21	1	YN6249300	Screw				
22	1	3916010R	Washer				
24	1	F1073417	Back (Bar)			122 cm	
25	1	F1073456	Tooth (Double)				
27	1	N0892500	Rivet				
28	1	F1073401	Connection plate				
30	1	YN4365400	Washer				
31	1	YN6254600	Screw				
33	1	F1073415	Lever (Fitting)				
40	1	F1073428	Sole				
41	1	F1073430	Attachment (Sole)				
42	1	3916008R	Washer				
43	1	YN4365400	Washer				
44	1	F1073443	Washer				
45	1	R1504723	Nut				
46	1	3806067R	Screw				
47	1	R1504720	Screw				
51	1	F1073432	Slide shoe				
53	1	YF1073409	Shear blade			122 cm	
62	1	3806070R	Screw				