



SPREADER MOUNTS

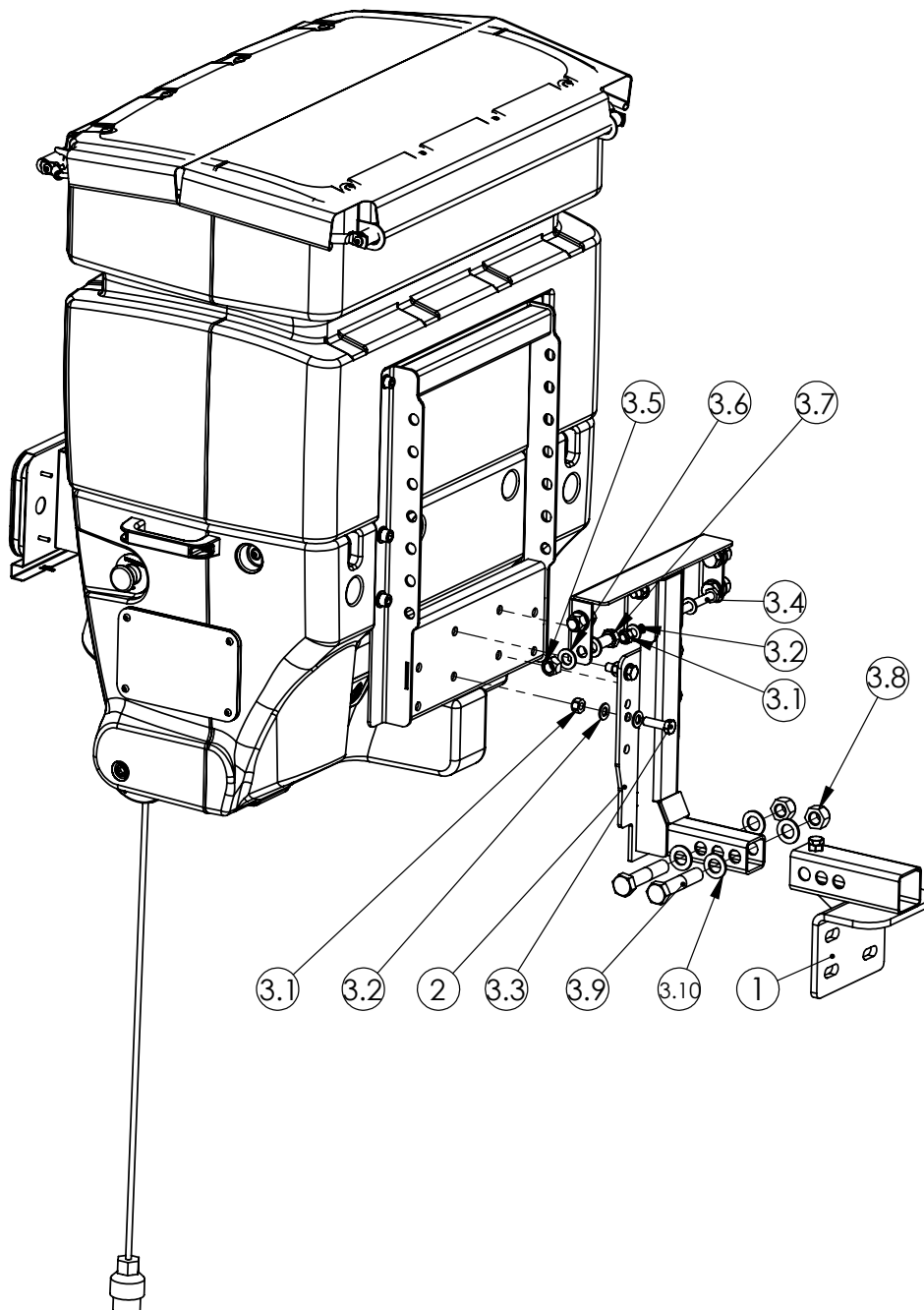
120-300 LITER TAILGATE SPREADER
(US 45-100 TAILGATE SPREADER)

TABLE OF CONTENTS

H26984 - Tow hitch mount, bolted	3
H26679 - Tow hitch mount, J-type	4
H26957 - 2" Receiver hitch mount.	5
H28688 - 2.5" Receiver hitch mount kit	6
H29623 - 2" Tailgate hitch	6
H27976 - Tow hitch bolted mount kit, height adjustable	7
H26985 - Pickup- EU tow/tailgate hitch	8
H27100 - Swing away mount, bolted AL-KO hitch/ Jimny	9
H26678 - 3-point hitch, Cat 0.	10
H26707 - 3-point hitch, Cat 1.	11
H26986 - 3-point hitch, Cat 2.	12
H27246 - Suzuki Jimny Tow/ Spare wheel tailgate mount	13
H26655 - Wheel loader / Fork lift 32mm Pin hitch, adjustable. Height adjustment, Kramer Allrad	14
H27241 - Wheel loader / Fork lift 45mm Pin hitch, adjustable. Height adjustment, JCB 409	15
H27864 - Norcar A-serie spreader mount	16
H27207 - Avant & Multione Spreader mount	17
H27201 - HAKO CM 600/1250/1600 mount	18
H27356 - Forklift mount.	19
H40667 - UTV mount kit	20
H41631 - Alltrac 8015F swing away tailgate kit.	21
H41770 - VW T6 flatbed mount.	22

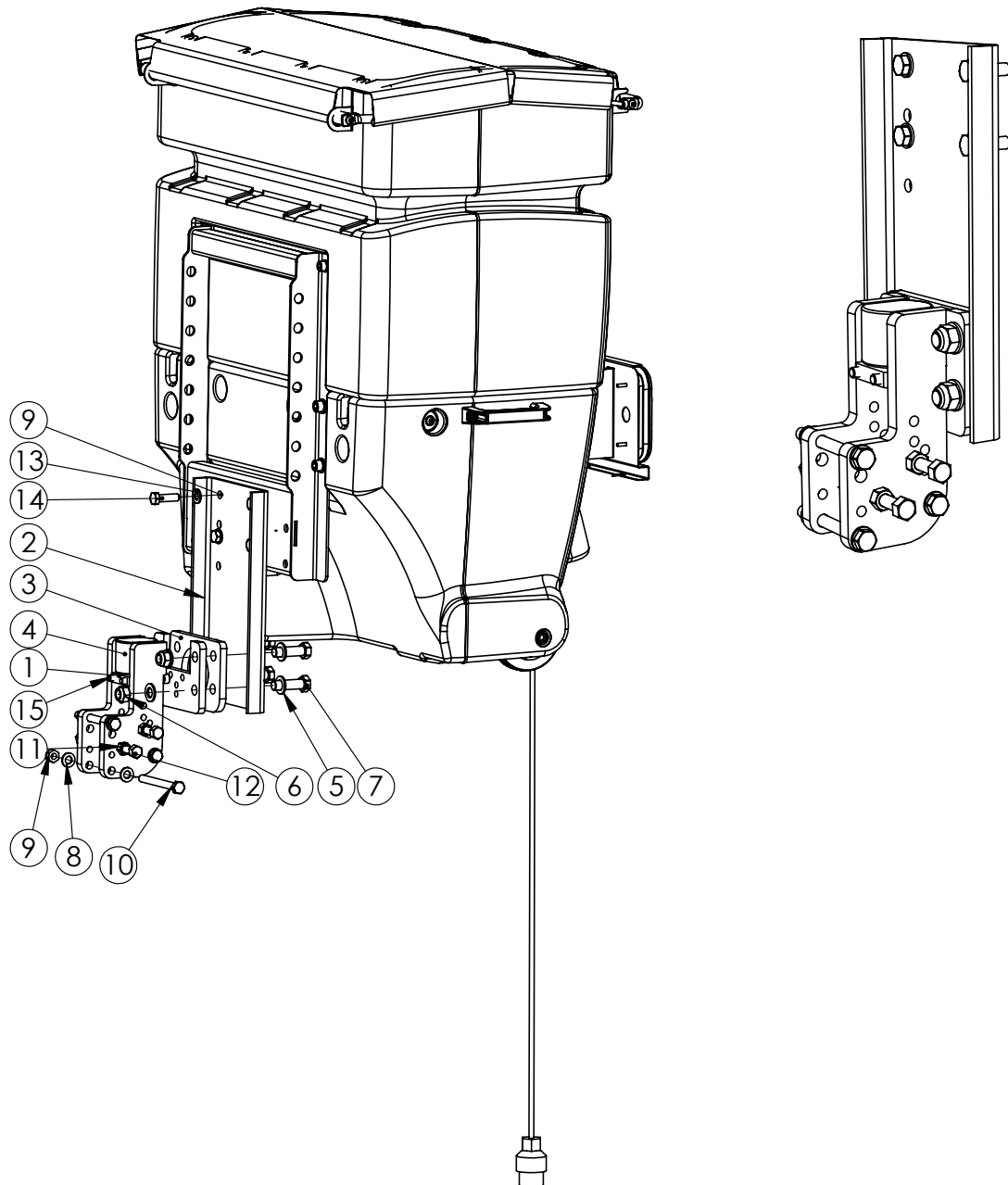
H26984 - TOW HITCH MOUNT, BOLTED

Item	Qty	Part no.	Description
1	1	H20760	Bracket
2	1	H40296	Tow hitch mount, bolted, 120-300
3.1-3.10	1	H29369	Tow hitch mount bolt kit
3.1	6	HF15057	Lock nut DIN 985/10 ZN M12
3.2	12	HF15128	Washer DIN 125 ZN M12
3.3	4	HF12673	Bolt M12x40 8.8 ZN DIN933
3.4	2	HF19324	Hexagon screw 931/10.9 ZN M12x100
3.5	4	HF15075	Nut M16x1,5 DIN 985 Zn 8.8
3.6	8	HF15130	DIN 125 M16 ZN
3.7	4	HF12705	Bolt DIN 933 ZN M16x35
3.8	2	HF15078	Lock nut DIN985 8.8 Zn M20
3.9	2	HF18704	DIN931 M20x100 8.8Zn
3.10	4	HF15134	Washer DIN 125 M20 ZN



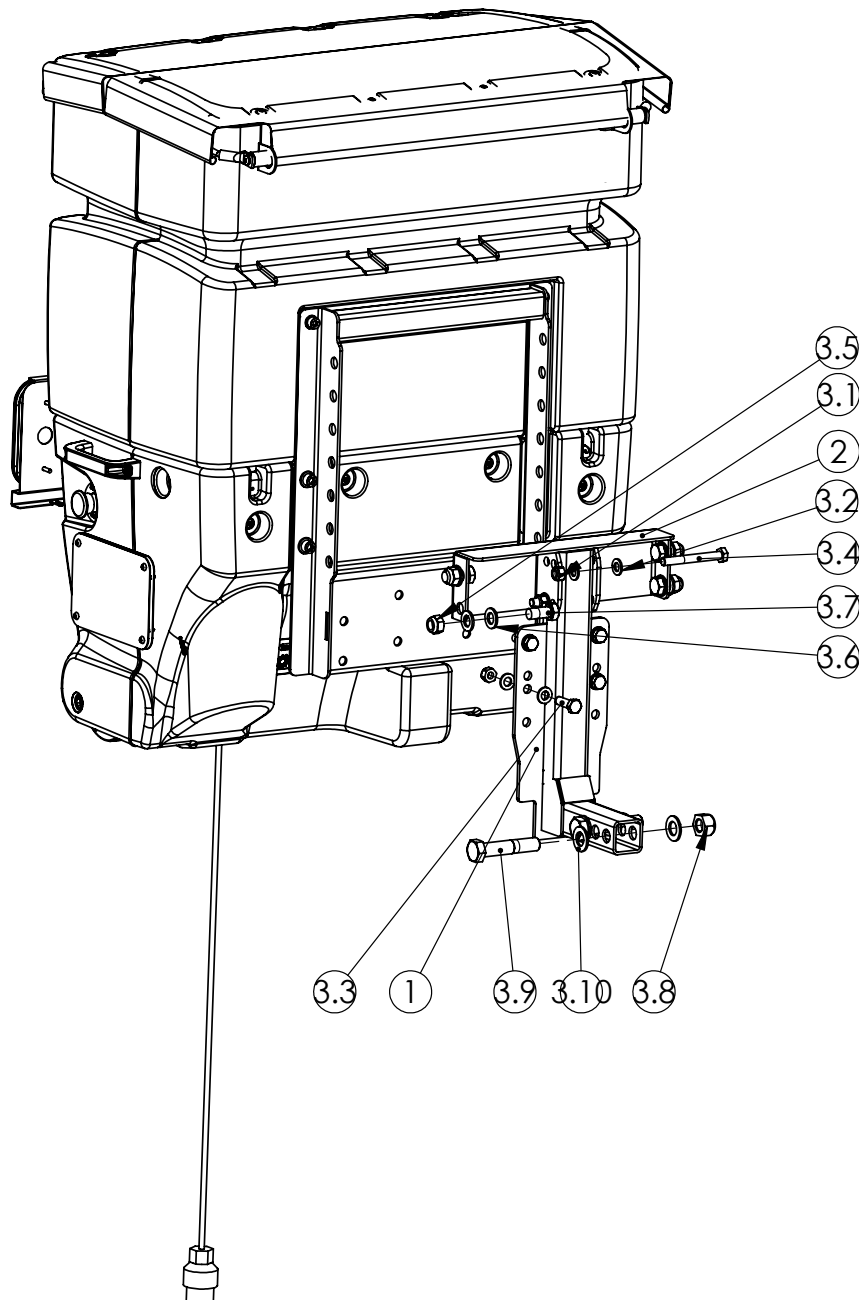
H26679 - TOW HITCH MOUNT, J-TYPE

Item	Qty	Part no.	Description
1	1	H26476	Bracket
2	1	H27281	Plate
3	1	H27280	Plate
4	1	H27282	Hook bracket
5	8	HF15130	DIN 125 M16 ZN DIN 125 M16 ZN
6	4	HF15059	Lock nut DIN 985/10 M16
7	4	HF12472	Bolt M16x55 8.8 DIN931
8	6	HF15128	Washer DIN 125 M12
9	7	HF15057	Lock nut DIN 985/10 M12
10	3	HF12675	Bolt M12x120 8.8 DIN933
11	4	HF10469	Nut DIN 934 A4 M12
12	4	HF12433	Bolt M12x70 8.8 DIN931 ZN
13	8	HF10480	Washer DIN 125 M12 A4
14	4	HF12673	Bolt M12x40 8.8 DIN933
15	2	HF10386	Hexagon socket head bolt



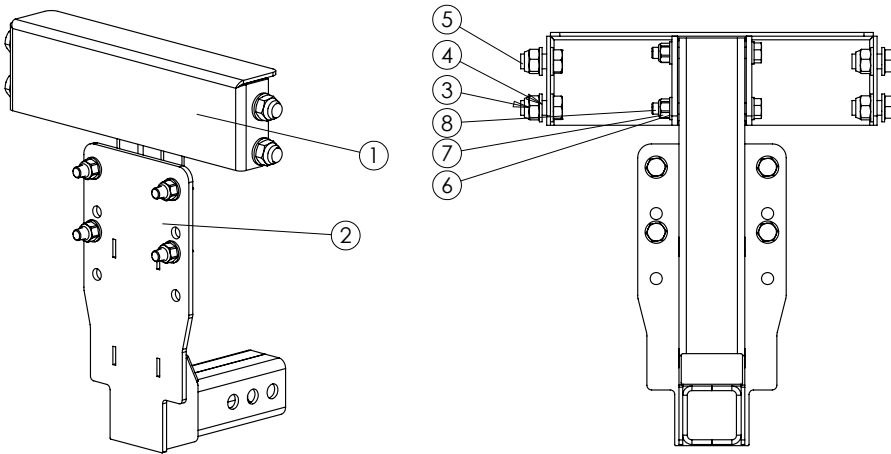
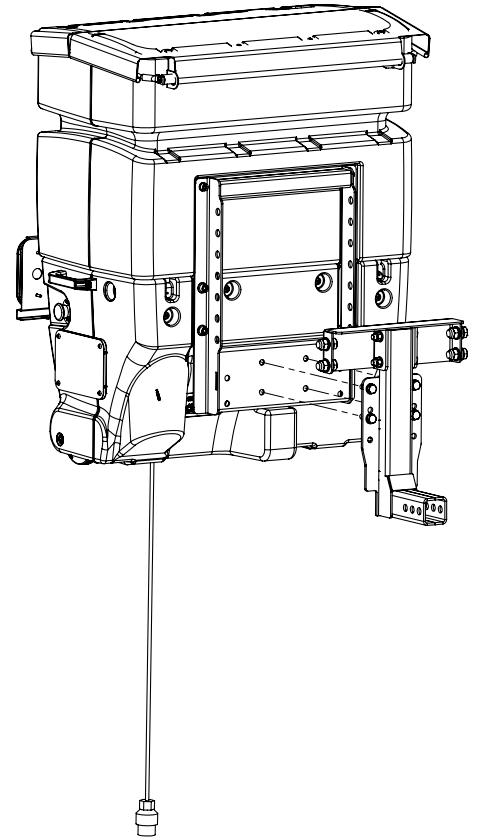
H26957 - 2" RECEIVER HITCH MOUNT

Item	Qty	Part no.	Description
1	1	H40297	Lower bracket
2	1	H40298	Upper bracket
3.1-3.10	1	H29369	Tow hitch mount bolt kit
3.1	6	HF15057	Lock nut DIN 985/10 ZN M12
3.2	12	HF15128	Washer DIN 125 ZN M12
3.3	4	HF12673	Bolt M12x40 8.8 ZN DIN933
3.4	2	HF11696	Hexagon screw 931/10.9 M12x100
3.5	4	HF15074	Lock nut DIN985 ZN M16
3.6	8	HF15130	DIN 125 M16 ZN
3.7	4	HF12705	Bolt DIN 933 ZN M16x35
3.8	2	HF15078	Lock nut DIN985 8.8 Zn M20
3.9	2	HF18704	DIN931 M20x100 8.8Zn
3.10	4	HF15134	Washer DIN 125 M20 ZN



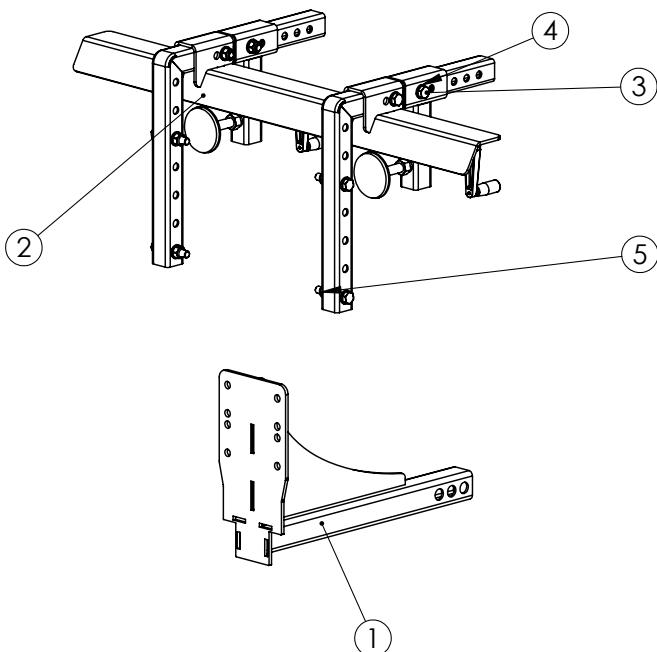
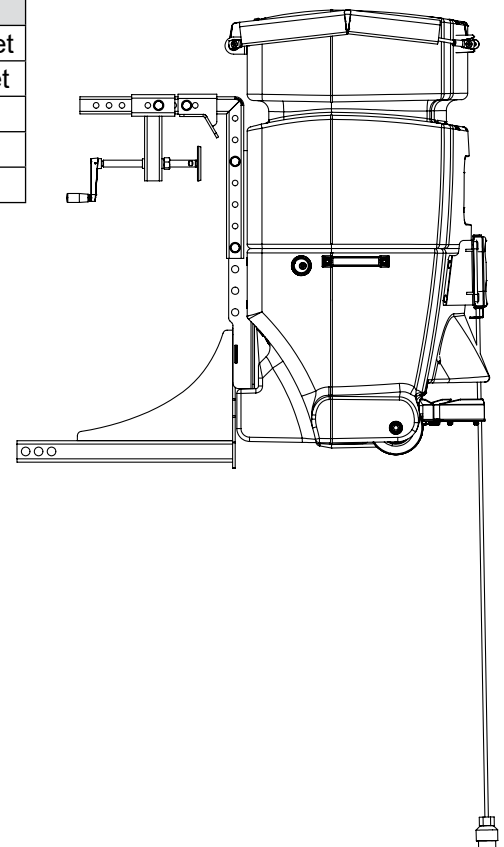
H28688 - 2.5" RECEIVER HITCH MOUNT KIT

Item	Qty	Part no.	Description
1	1	H40278	Upper bracket 2,5"
2	1	H26501	Tow hitch weld bracket 2,5 inch
3	4	HF10506	Lock nut DIN985 A4 M16
4	8	HF15130	DIN 125 M16 ZN
5	4	HF12705	Bolt DIN 933 ZN M16x35
6	12	HF10480	Washer DIN 125 M12 A4
7	6	HF15057	Lock nut DIN 985/10 M12
8	2	HF12415	Bolt M12x110 8.8 DIN931 ZN
9	4	HF12673	Bolt M12x40 8.8 DIN933



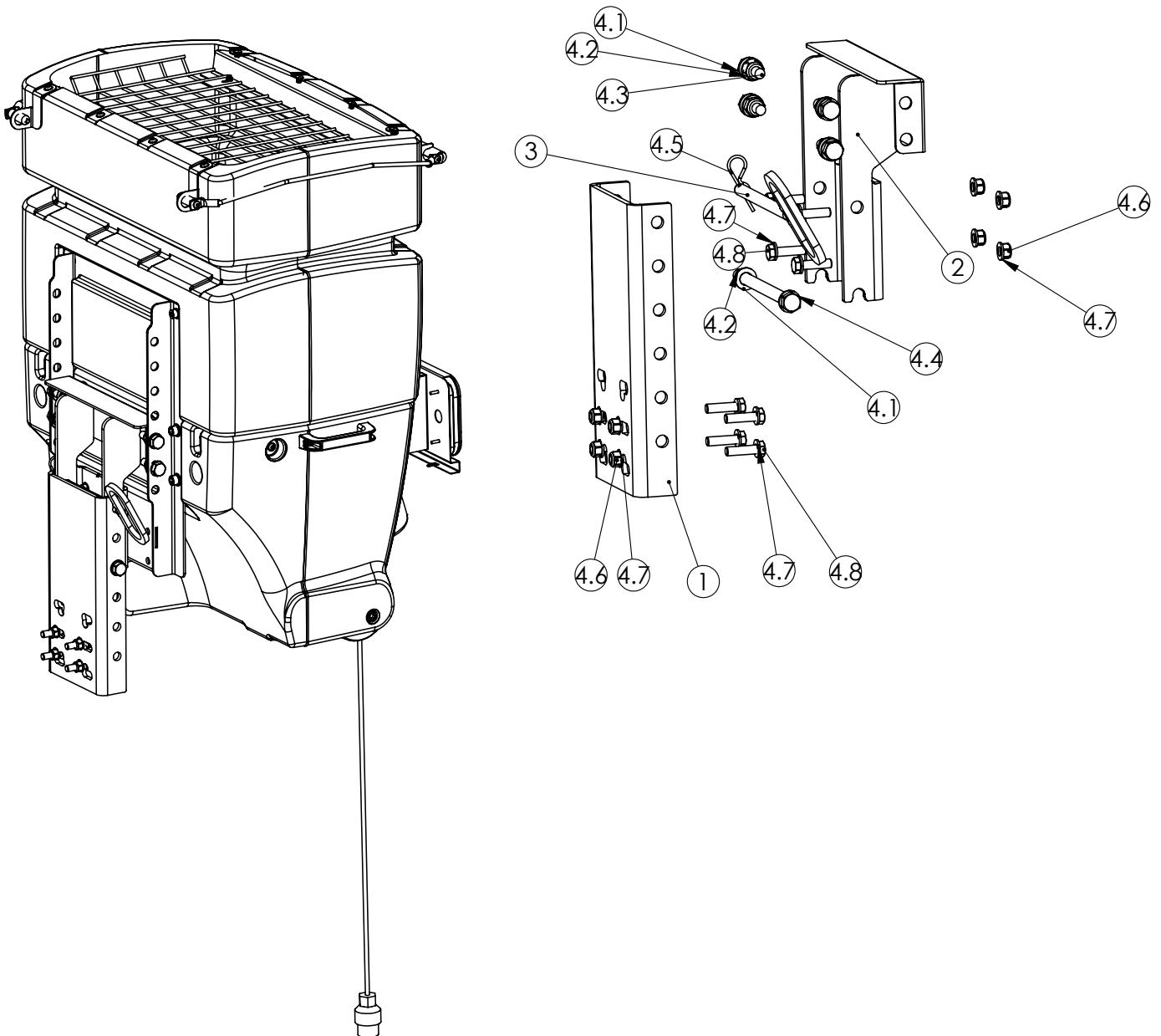
H29623 - 2" TAILGATE HITCH

Item	Qty	Part no.	Description
1	1	H29625	TG 120/200 Tow hitch Lower bracket
2	1	H26966	TG 120/200 Tow hitch upper bracket
3	8	HF18685	Bolt M12x70 8.8 DIN931
4	16	HF15128	Washer DIN 125 M12
5	8	HF15068	Lock nut DIN 985/8 M12



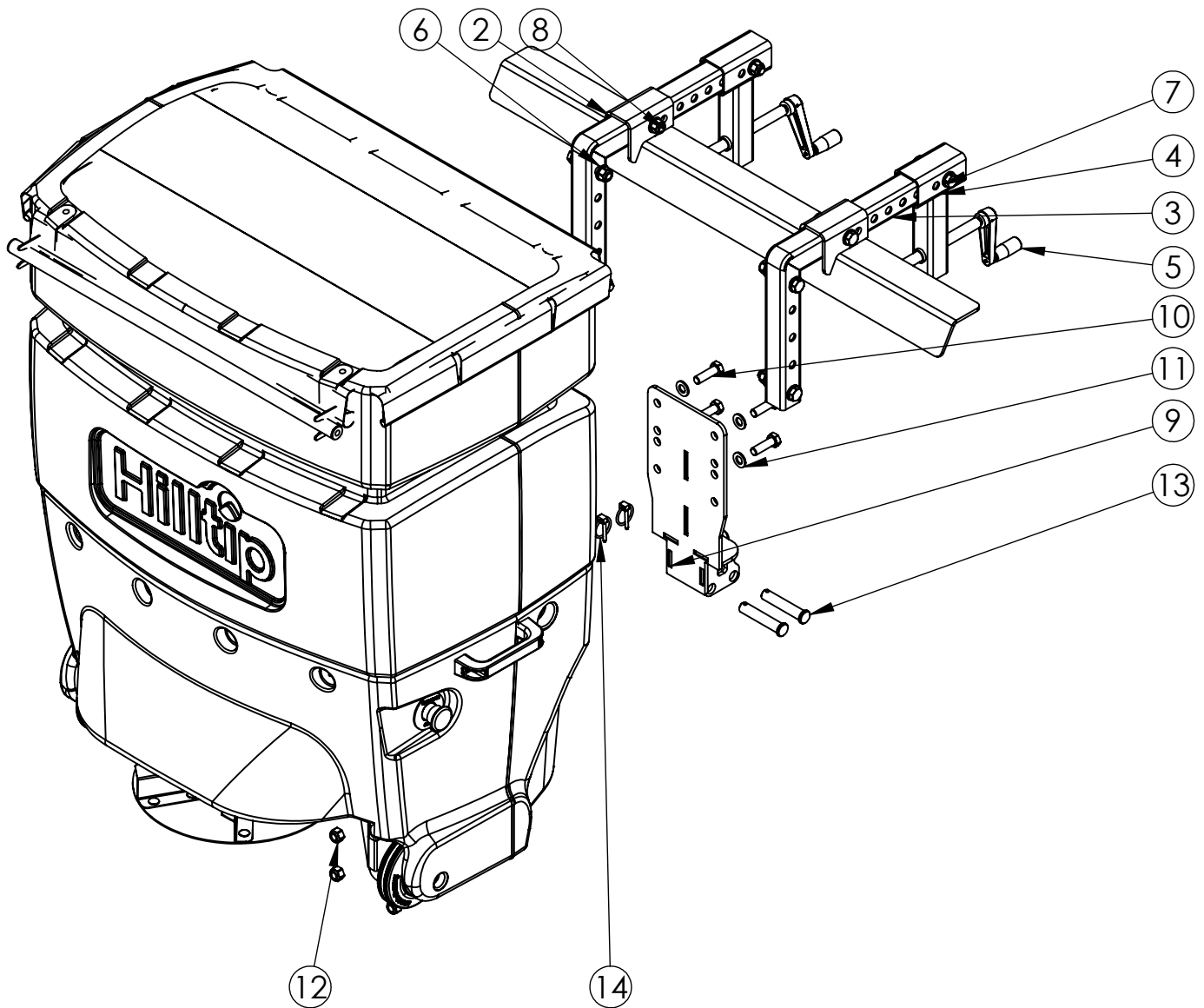
H27976 - TOW HITCH BOLTED MOUNT KIT, HEIGHT ADJUSTABLE

Item	Qty	Part no.	Description
1	1	H27974	Extension plate
2	1	H27989	Extension bracket
3	1	H27999	Pin bracket
4	1	H27990	Bolt Kit
4.1	10	HF15381	Washer M16 DIN 125 Hv300 Zn
4.2	5	HF15074	Lock nut DIN985 ZN M16
4.3	4	HF12708	Bolt DIN 933 ZN M16x50 Bolt
4.4	1	HF13002	Bolt M16x240 8.8 DIN931
4.5	1	HF16073	Locking pin ø3,5mm
4.6	8	HF15068	Lock nut DIN 985/8 M12
4.7	16	HF15128	Washer DIN 125 M12
4.8	8	HF12674	Bolt M12x45 8.8 DIN933



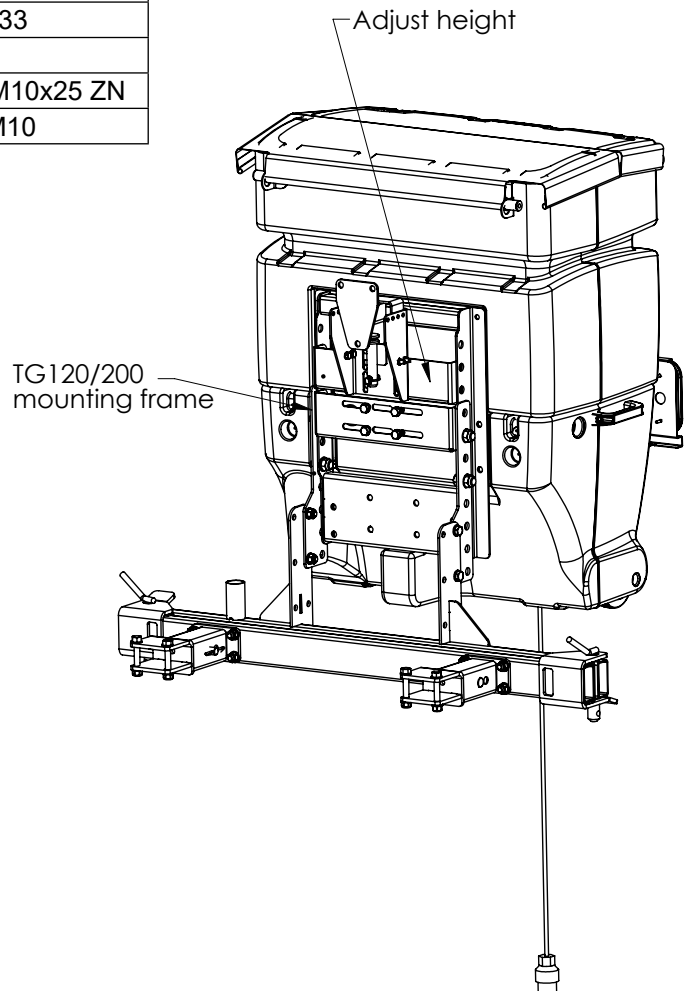
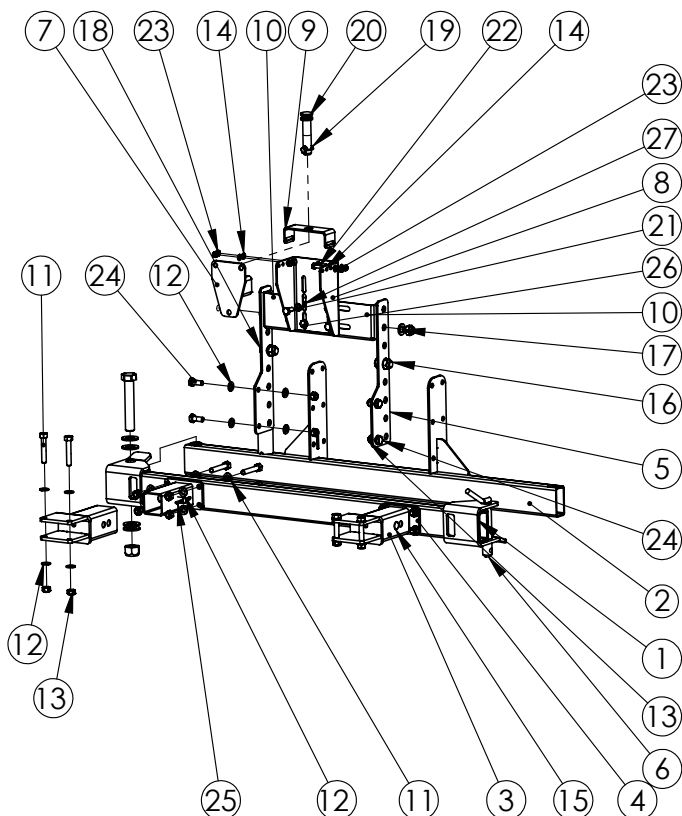
H26985 - EU TOW/TAILGATE HITCH MOUNT

Item	Qty	Part no.	Description
2	1	H26967	Bracket
3	2	H26969	Rectangular tube
4	2	H21031	LP10 locking bracket
5	2	H22639	Hand hoop assembly
6	8	HF18685	Bolt M12x70 8.8 DIN931
7	16	HF15128	Washer DIN 125 M12
8	8	HF15068	Lock nut DIN 985/8 M12
9	1	H26952	TG 120/200 Tow hitch bracket
10	4	HF12673	Bolt M12x40 8.8 DIN933
11	8	HF10480	Washer DIN 125 M12 A4
12	4	HF15057	Lock nut DIN 985/10 M12
13	2	H22172	Pin \varnothing 16 mm
14	2	H22173	Locking pin



H27100 - SWING AWAY MOUNT, BOLTED AL-KO HITCH/ JIMNY

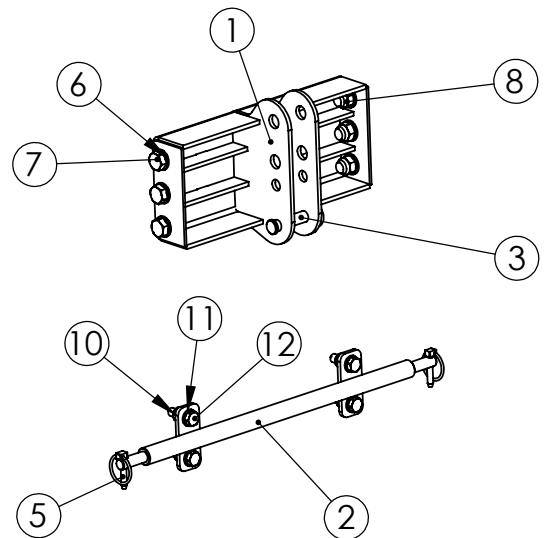
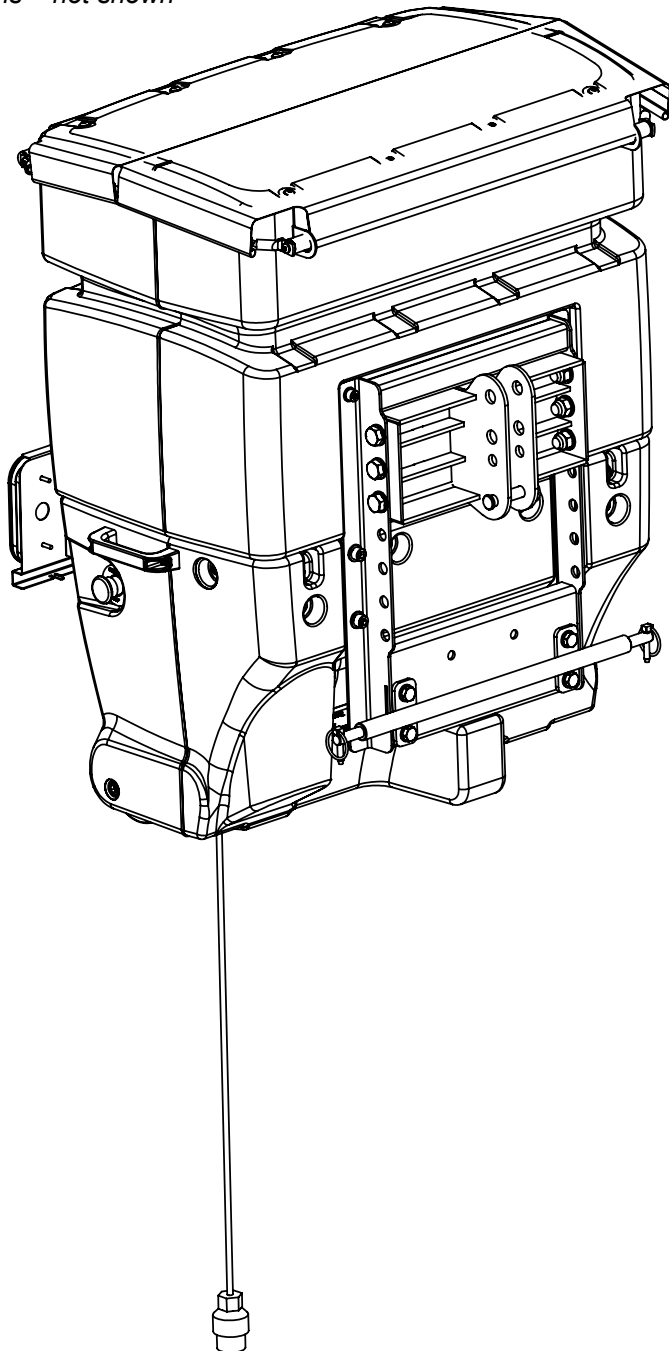
Item	Qty	Part no.	Description
1	1	H27101	Bracket
2	1	H27105	Bracket
3	2	H27111	Bracket
4	2	H27108	Bracket
5	2	H27115	Plate
6	2	H27116	Lock pin
7	1	H27133	Bracket
8	1	H27131	Plate
9	1	H27132 Plate	Nyloc DIN 985 M12 A4
10	1	H28323	Jimny upper plate
11-27	1	H29457	Swing away Suzuki Jimny bolt kit
11	12	HF12433	Bolt M12x70 8.8 DIN931 ZN
12	32	HF15128	Washer DIN 125 M12
13	16	HF15068	Lock nut DIN 985/8 M12
14	8	HF19112	Washer DIN 125 M8 ZN
15	2	H24102	Pin \varnothing 16x78 mm
16	4	HF15074	Lock nut DIN985 ZN M16
17	8	HF15130	DIN 125 M16 ZN
18	4	HF12705	Bolt DIN 933 ZN M16x35
19	1	H22173	Locking pin
20	1	H21207	Pin 22x78
21	4	HF15127	Washer DIN 125 M10
22	4	HF12632	DIN 933 M8x25
23	4	HF15100	Lock nut DIN985 8,8Zn M8
24	4	HF12671	Bolt M12x30 8.8 DIN933
25	2	HF16073	Locking pin \varnothing 3,5mm
26	4	HF12652	Hex Bolt DIN933 8.8 M10x25 ZN
27	4	HF15064	LOCK NUT DIN 985 M10



H26678 - 3-POINT HITCH, CAT 0

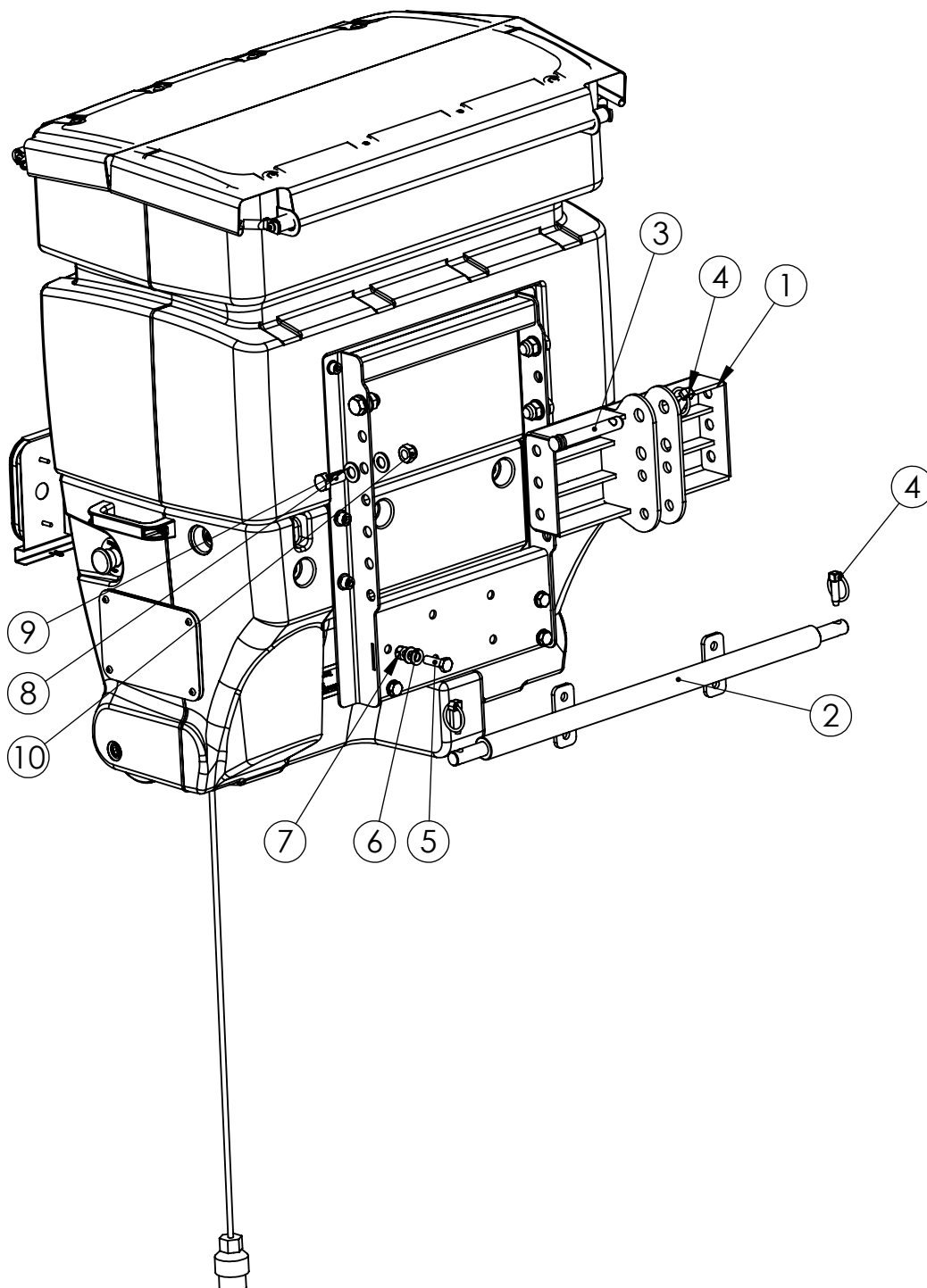
Item	Qty	Part no.	Description
1	1	H26930	TG 120/200 CAT 0-1 Upper Bracket
2	1	H26935	TG 120/200 CAT 0 Lower Bracket
3	1	H22172	Pin \varnothing 16 mm
ns	1	H22173	Locking pin
5-12	1	H29370	3- point cat 0 bolt kit
5	2	H25381	Linch pin 8mm
6	12	HF15130	DIN 125 M16 ZN
7	6	HF12705	Bolt DIN 933 ZN M16x35
8	4	HF15074	Lock nut DIN985 ZN M16
ns	2	HF15059	Lock nut DIN 985/10 M16
10	4	HF15057	Lock nut DIN 985/10 M12
11	8	HF10480	Washer DIN 125 M12 A4
12	4	HF12673	Bolt M12x40 8.8 DIN933

ns = not shown



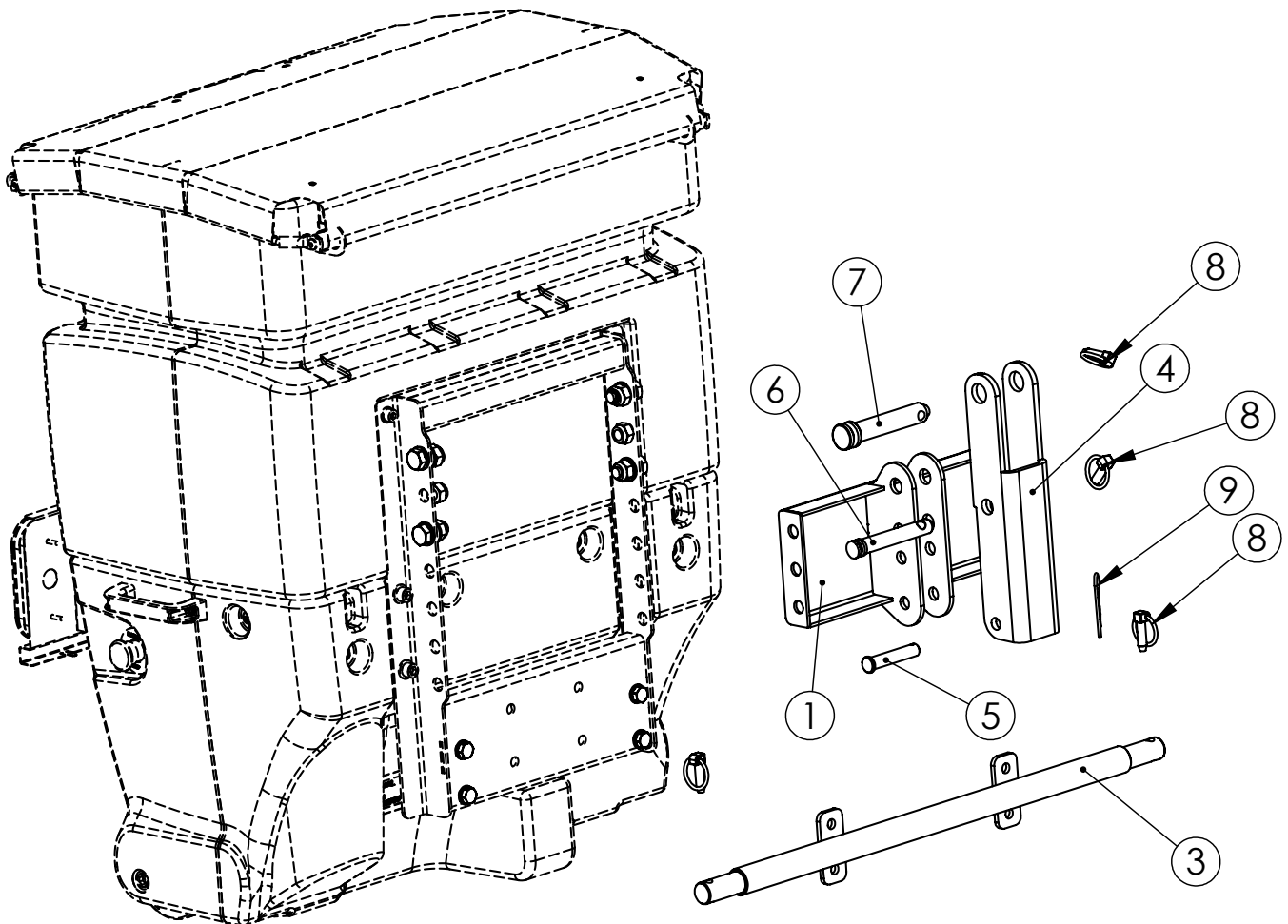
H26707 3-POINT HITCH, CAT 1

Item	Qty	Part no.	Description
1	1	H26930	TG 120/200 CAT 0-1 Upper Bracket
2	1	H27601	TG 120/200 CAT 1 Lower bracket
3	1	H21208	Pin 19x102
4	3	H22113	Locking pin
5	4	HF12673	Bolt M12x40 8.8 DIN933
6	8	HF10480	Washer DIN 125 M12 A4
7	4	HF15057	Lock nut DIN 985/10 M12
8	4	HF12705	Bolt DIN 933 ZN M16x35
9	8	HF15130	DIN 125 M16 ZN
10	4	HF15074	Lock nut DIN985 ZN M16



H26986 3-POINT HITCH, CAT 2

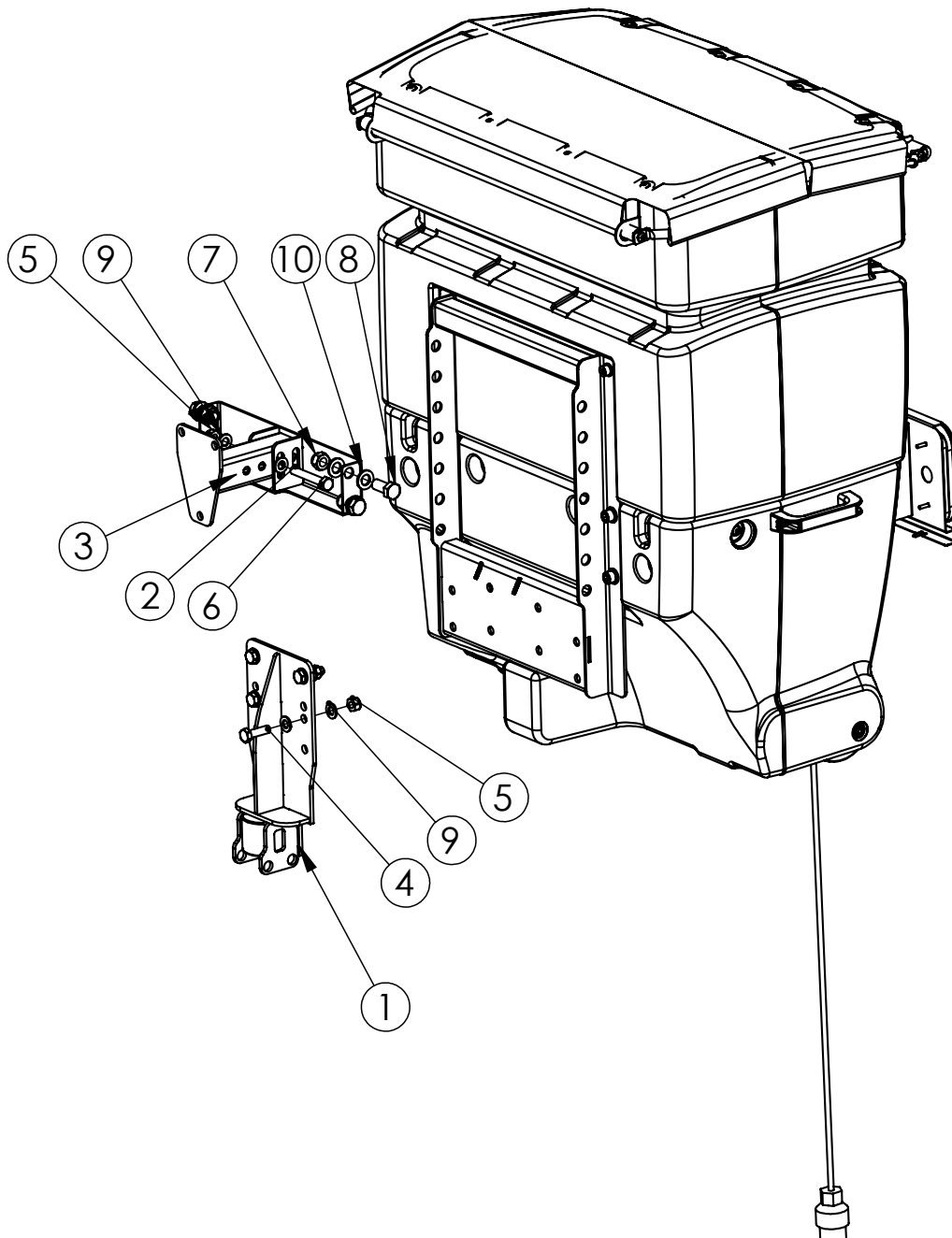
Item	Qty	Part no.	Description
1	1	H26930	TG 120/200 CAT 0-1 Upper Bracket
3	1	H26950	TG 120/200 CAT 2 Lower bracket
4	1	H26934	TG 120/200 CAT 2 Upper bracket
5	1	H22172	Pin \varnothing 16 mm
6	1	H21208	Pin 19x102
7	1	H26754	KH Part No. XPT251
8	4	H22113	Locking pin
9	1	HF16073	Locking pin \varnothing 3,5mm
10	4	HF12673	Bolt M12x30 8.8 DIN933
11	8	HF10480	Washer DIN 125 M12 A4
12	4	HF15057	Lock nut DIN 985/10 M12
13	4	HF12705	Bolt DIN 933 ZN M16x35
14	8	HF15130	DIN 125 M16 ZN
15	4	HF15059	Lock nut DIN 985/10 M16
16	4	HF15074	Lock nut DIN985 ZN M16



H27246 - SUZUKI JIMNY TOW/ SPARE WHEEL TAILGATE MOUNT

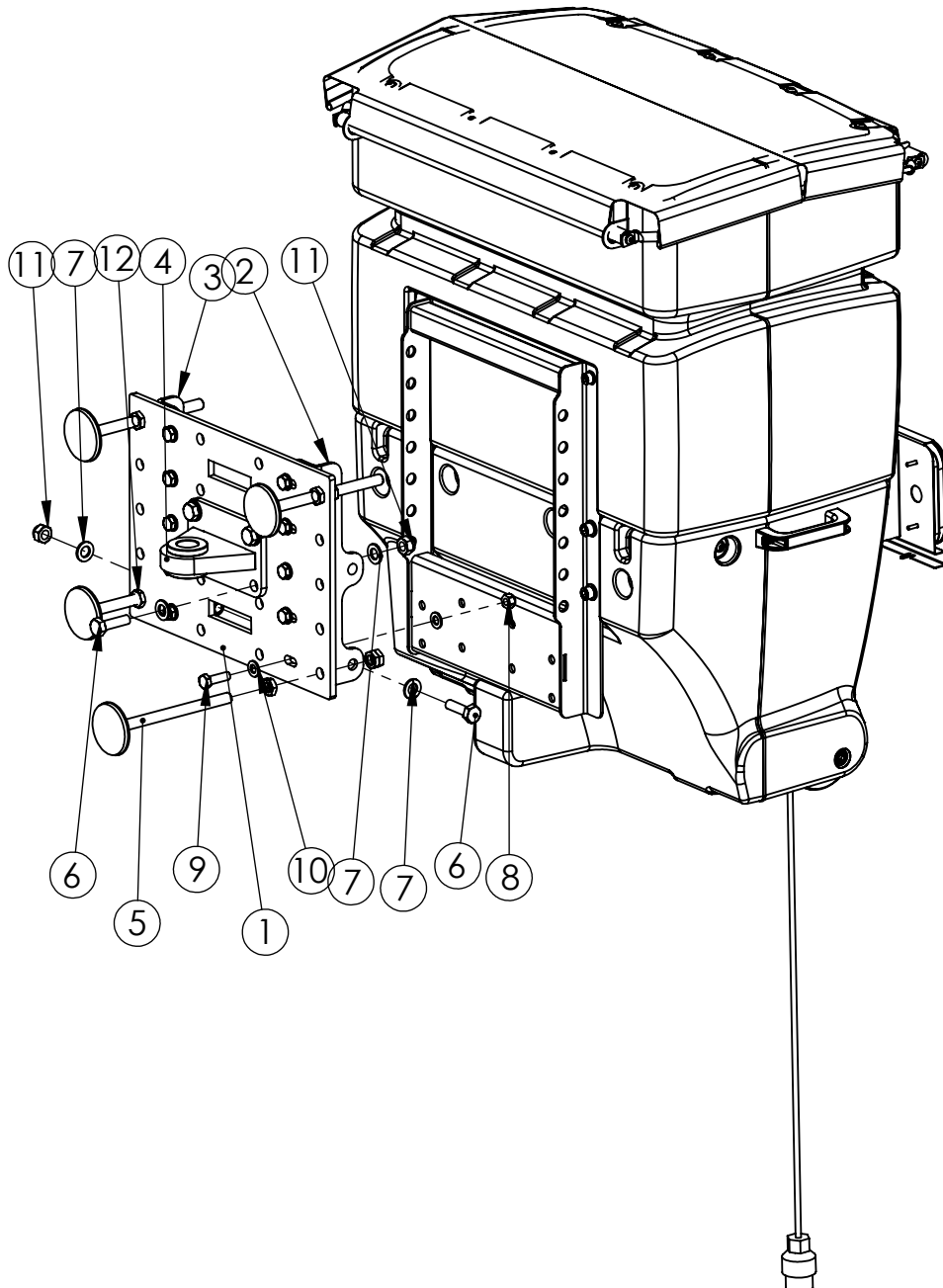
Item	Qty	Part no.	Description
1	1	H26952	TG 120/200 Tow hitch bracket
2	1	H27248	Bracket
3	1	H27251	Bracket
ns	1	H27134	Plate
ns	1	H27252	Beam
4-10	1	H28091	Bolt kit
4	4	HF12673	Bolt M12x40 8.8 DIN933
5	5	HF15068	Lock nut DIN 985/8 M12
6	1	HF12435	Bolt M12x80 8.8 DIN931 ZN
7	4	HF15074	Lock nut DIN985 ZN M16
8	4	HF12705	Bolt DIN 933 ZN M16x35
9	10	HF15128	Washer DIN 125 M12
10	6	HF15130	DIN 125 M16 ZN

ns = not shown



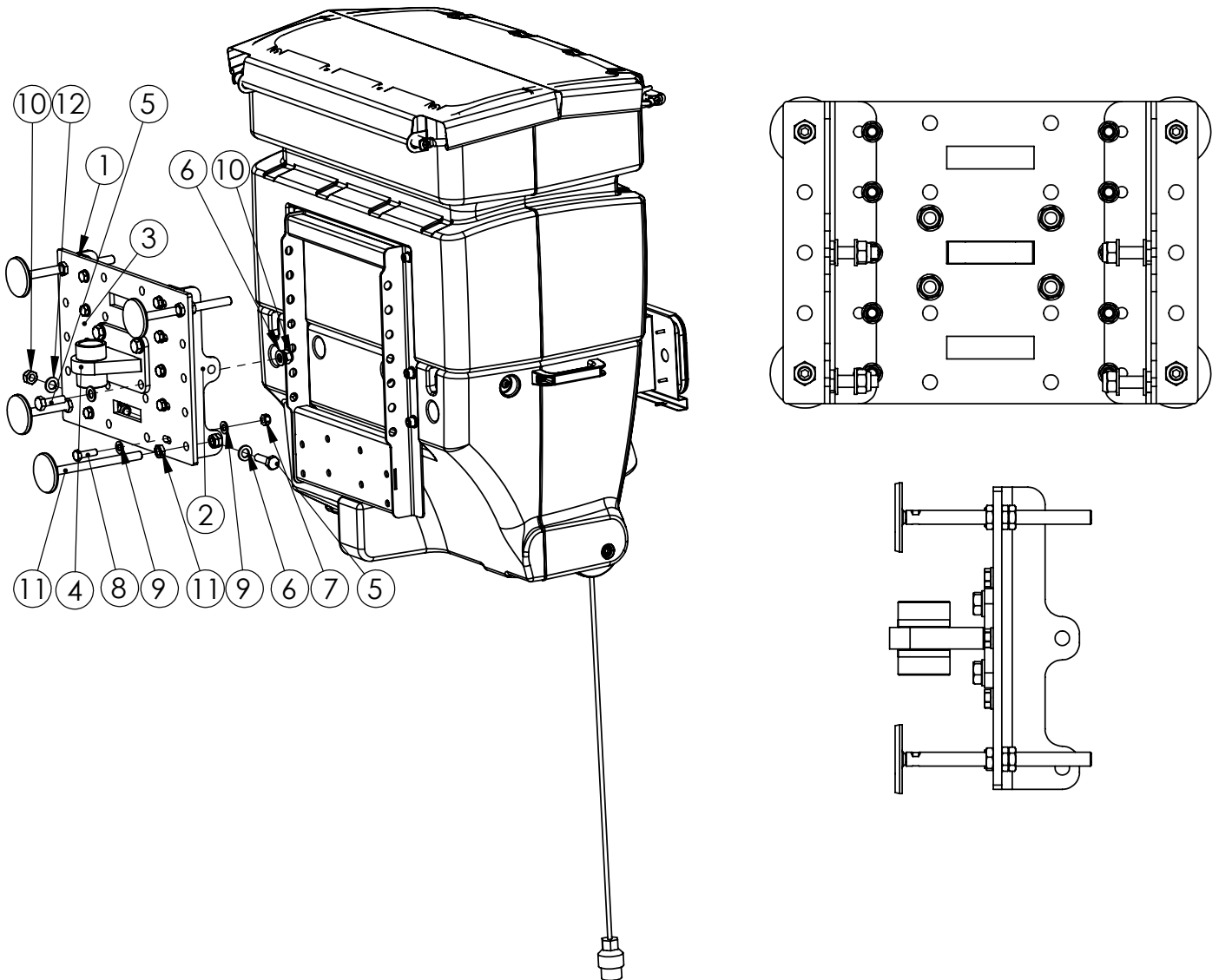
H26655 - WHEEL LOADER / FORK LIFT 32MM PIN HITCH, ADJUSTABLE. HEIGHT ADJUSTMENT, KRAMER ALLRAD

Item	Qty	Part no.	Description
1	1	H26959	Plate
2	1	H26960	Plate
3	1	H26961	Plate Mirror of H26960
4	1	H26962	TG 120/200 Wheelloader bracket
5	4	H22637	Stainless steel foot
6-12	1	H28200	Bolt kit
6	8	HF12708	Bolt DIN 933 ZN M16x50
7	16	HF15130	DIN 125 M16 ZN
8	10	HF15068	Lock nut DIN 985/8 M12
9	10	HF12673	Bolt M12x40 8.8 DIN933
10	20	HF15128	Washer DIN 125 M12
11	8	HF15074	Lock nut DIN985 ZN M16
12	12	HF19388	Low nut DIN 936 A4 M16



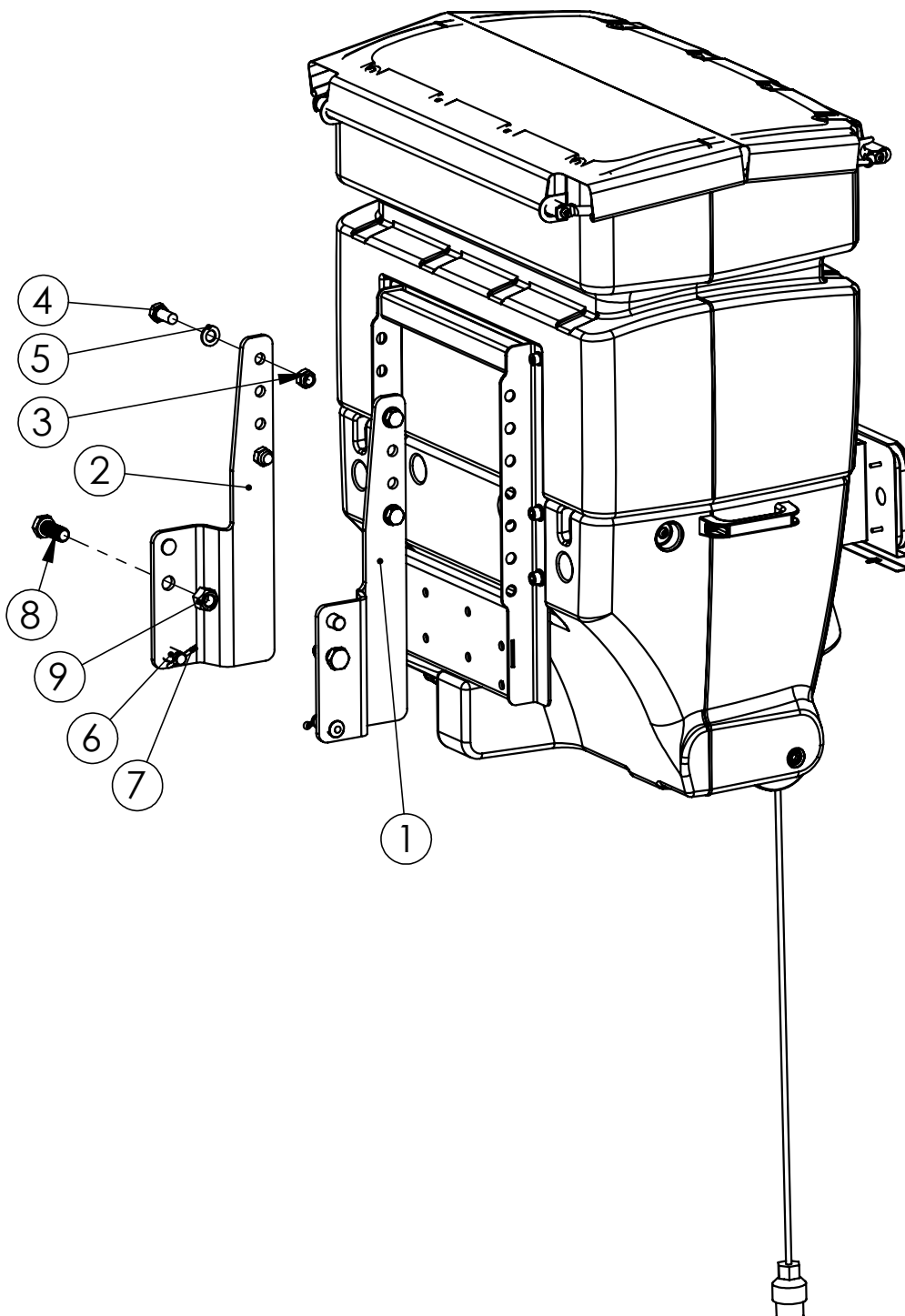
H27241 - WHEEL LOADER / FORK LIFT 45MM PIN HITCH, ADJUSTABLE. HEIGHT ADJUSTMENT, JCB 409

Item	Qty	Part no.	Description
1	1	H26959	Plate
2	1	H26960	Plate
3	1	H26961	Plate
4	1	H27242	TG 120/200 Wheelloader bracket
5-11	1	H28200	Bolt kit
5	8	HF12708	Bolt DIN 933 ZN M16x50
6	16	HF15130	DIN 125 M16 ZN
7	10	HF15068	Lock nut DIN 985/8 M12
8	10	HF12673	Bolt M12x40 8.8 DIN933
9	20	HF15128	Washer DIN 125 M12
10	8	HF15074	Lock nut DIN985 ZN M16
11	12	HF19388	Low nut DIN 936 A4 M16
12	4	H22637	Stainless steel foot



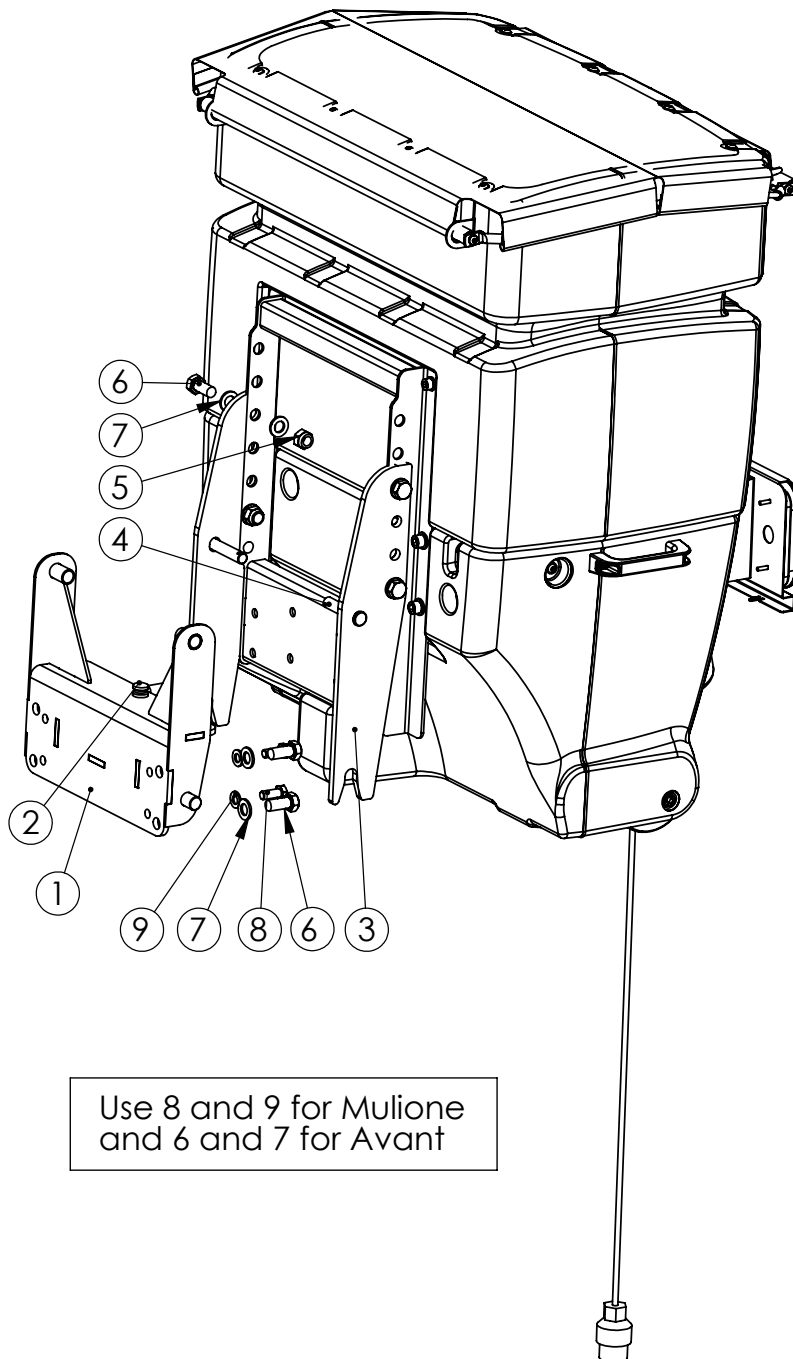
H27864 - NORCAR A-SERIE SPREADER MOUNT

Item	Qty	Part no.	Description
1	1	H27867	Left plate assembly
2	1	H27868	Right plate assembly
3-9	1	H27787	Bolt kit Norcar a serie
3	4	HF15059	Lock nut DIN 985/10 M16
4	4	HF12705	Bolt DIN 933 ZN M16x35
5	4	HF15130	DIN 125 M16 ZN
6	2	H23914	Pin
7	2	HF19357	Pin DIN 94 6.3x40 A2
8	2	HF11770	DIN 933 M20x50
9	2	HF15078	Lock nut DIN985 8.8 Zn M20



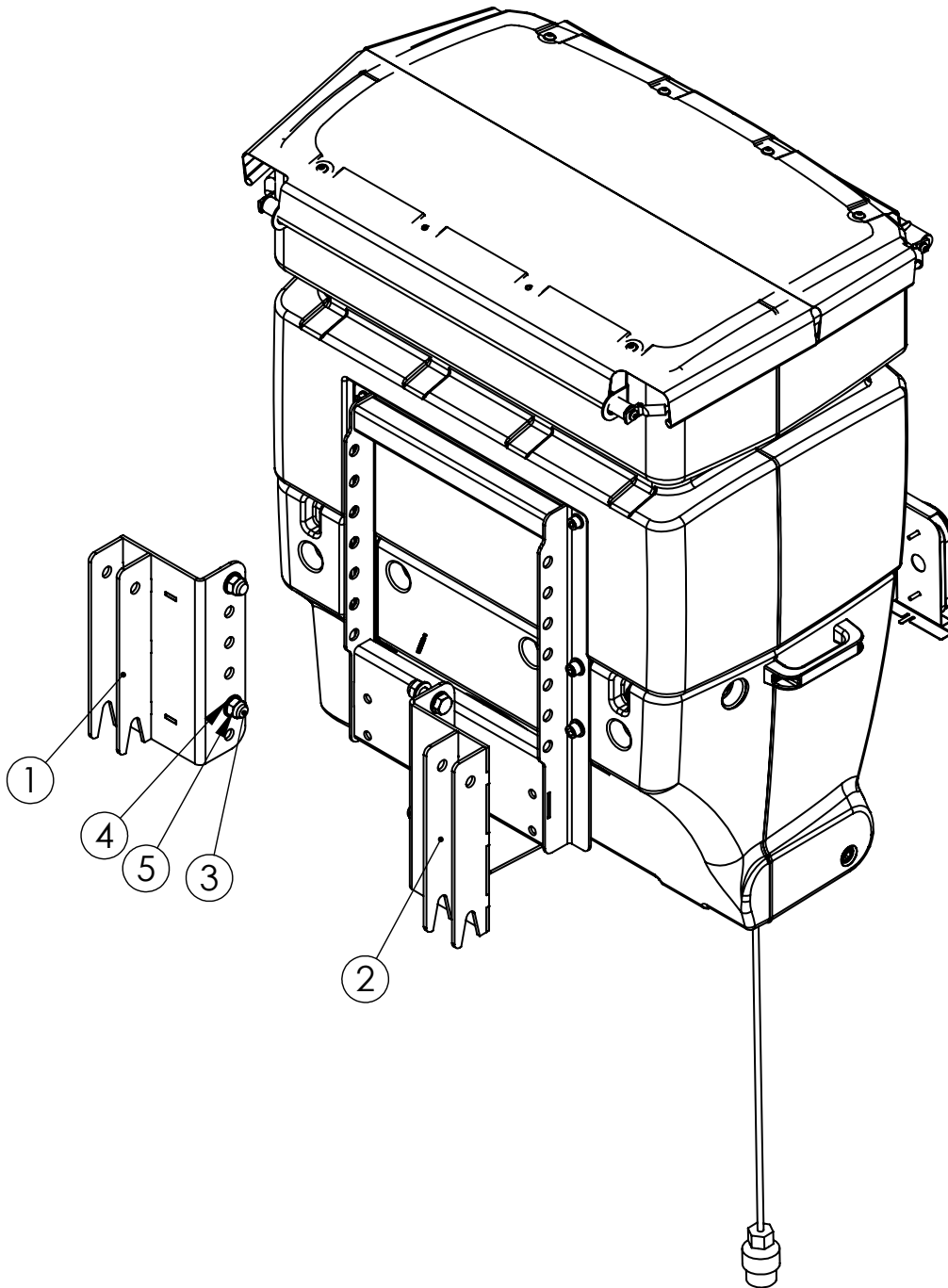
H27207 - AVANT & MULTIONE SPREADER MOUNT

Item	Qty	Part no.	Description
1	1	H27208	Bracket
2	1	H21208	Pin 19x102
3	2	H27223	Plate
4-9	1	H28092	Bolt kit
4	2	H22172	Pin \varnothing 16 mm
5	4	HF15059	Lock nut DIN 985/10 M16
6	8	HF12705	Bolt DIN 933 ZN M16x35
7	12	HF15130	DIN 125 M16 ZN
8	4	HF12671	Bolt M12x30 8.8 DIN933
9	4	HF15128	Washer DIN 125 M12



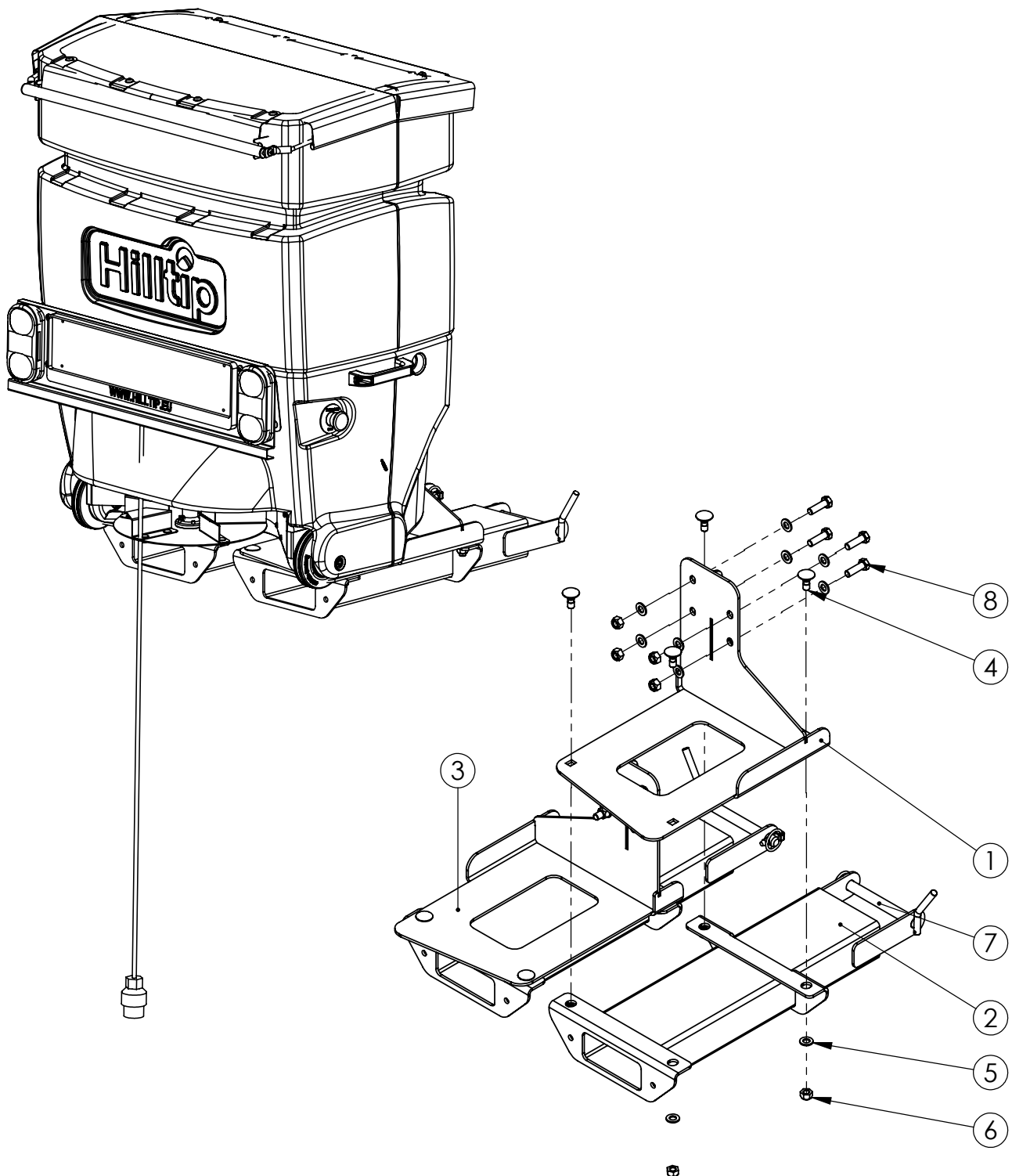
H27201 - HAKO CM 600/1250/1600 MOUNT

Item	Qty	Part no.	Description
1	1	H27202	Bracket Right
2	1	H27206	Bracket Left
3	4	HF12705	Bolt DIN 933 ZN M16x35
4	8	HF15130	DIN 125 M16 ZN
5	4	HF15074	Lock nut DIN985 ZN M16



H27356 - FORKLIFT MOUNT

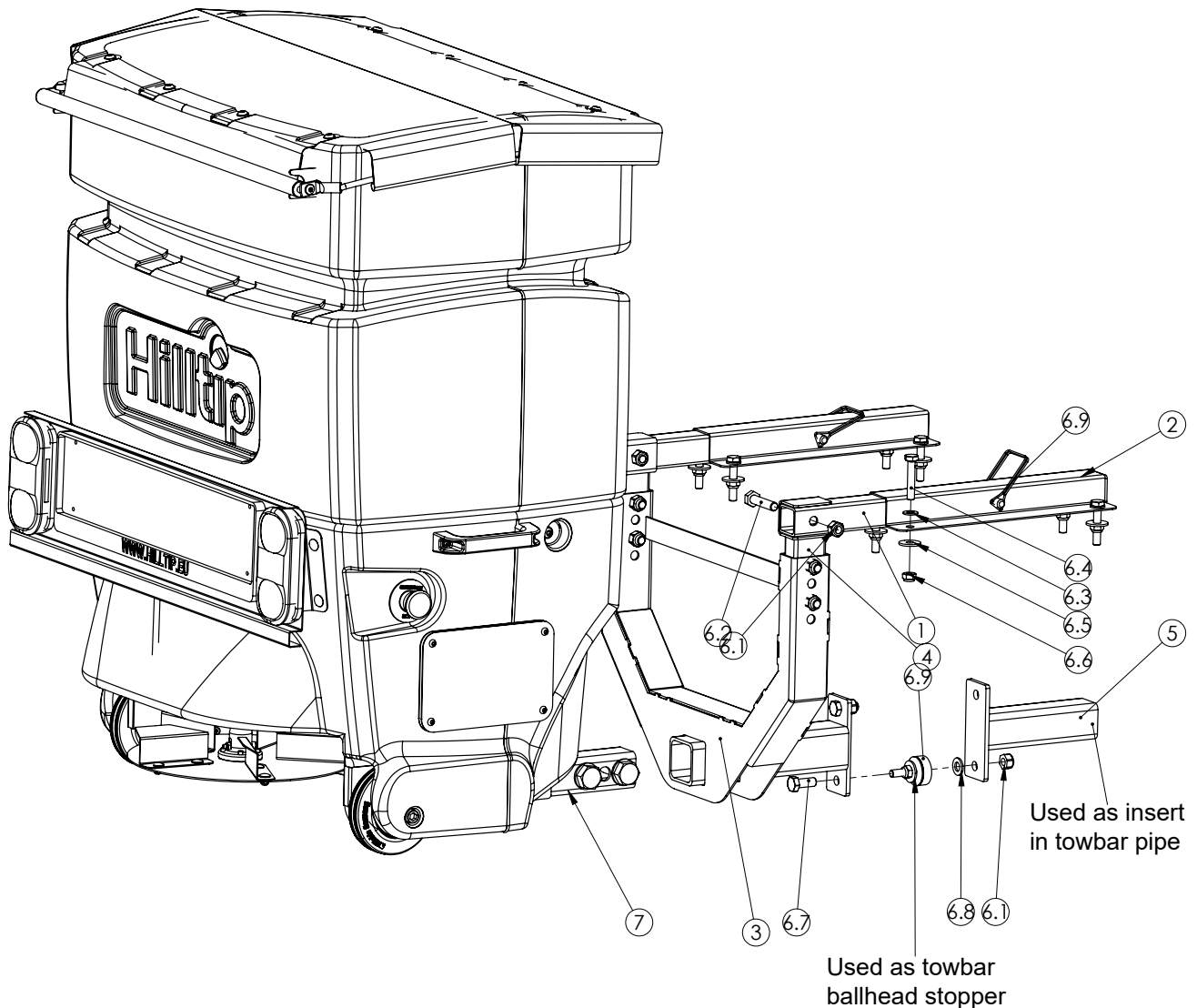
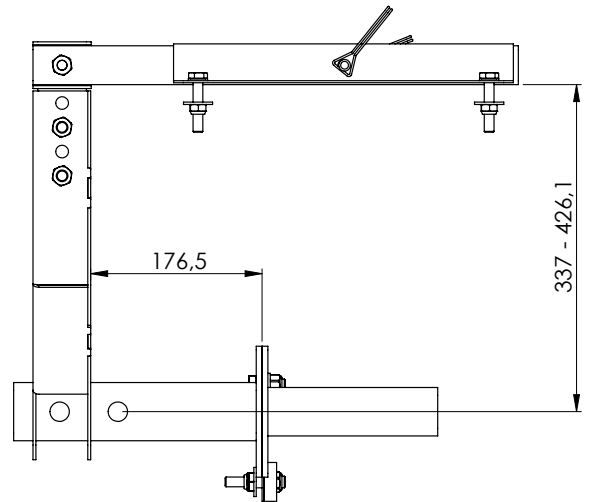
Item	Qty	Part no.	Description
1	1	H27357	Bracket
2	2	H23695	Fork mount
3	1	H27358	Bracket
4	8	HF13740	Lockbolt M12x30 8.8 Zn
5	24	HF10480	Washer DIN 125 M12 A4
6	16	HF10504	Nyloc DIN 985 M12 A4
7	2	H23702	Pin 19x175
8	8	HF12673	Bolt M12x40 8.8 DIN933



H40667 - UTV MOUNT KIT

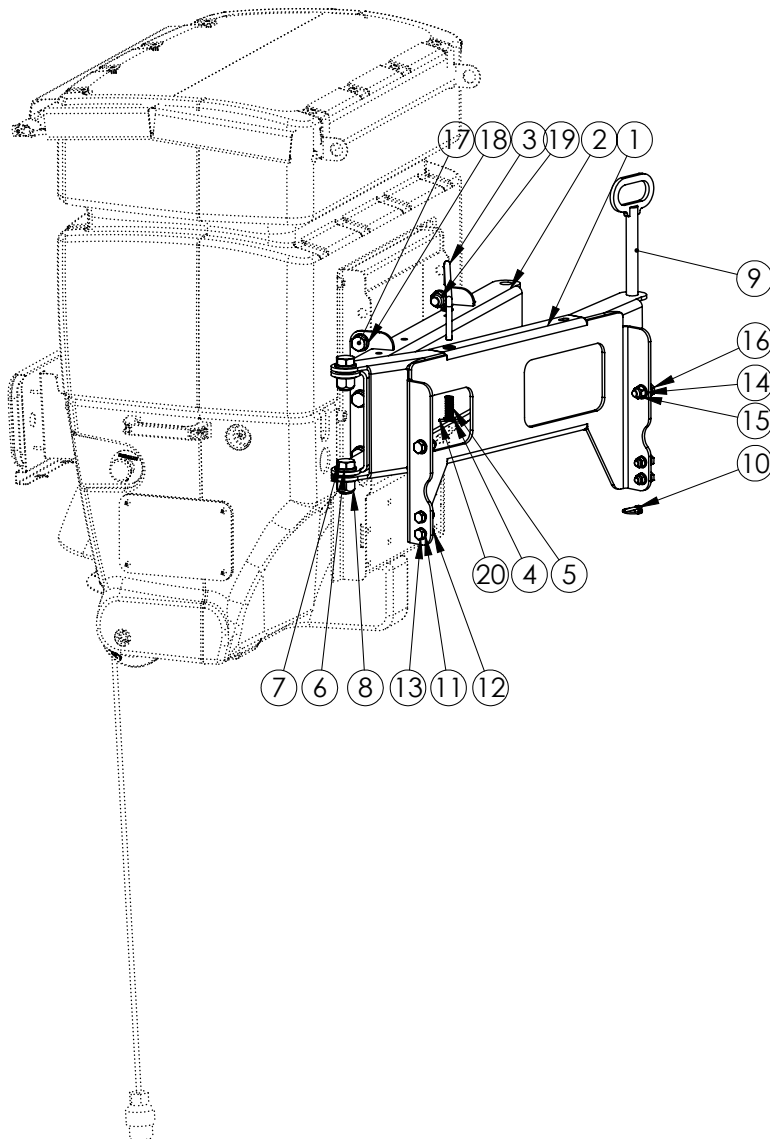
Item	Qty	Part no.	Description
1	2	H40909	Bed beam
2	2	H40886	Beam holder plate
3	1	H40899	TG 120-300 weld bracket
4	2	H40900	Adjusting beam
5	1	H40888	Insert bracket
6.1-6.10	1	H40665	TG 120-300 UTV Bolt Kit
6.1	8	HF15068	Lock nut DIN 985/8 M12
6.2	6	HF12431	Bolt M12x60 8.8 ZN DIN931
6.3	8	HF10479	Washer
6.4	8	HF12658	Screw_din_933-m10x55
6.5	9	HF15190	Washer DIN 9021 ZN M10
6.6	9	HF15064	LOCK NUT DIN 985 M10
6.7	2	HF12671	Bolt M12x30 8.8 DIN933
6.8	2	HF10480	Washer DIN 125 M12 A4
6.9	1	H23783	Vibration damper
ns	2	H28150	Locking Pin M10 x 60
7	1	H40296	Tow hitch mount, bolted, 120-300

ns = not shown



H41631 - ALLTRAC 8015F SWING AWAY TAILGATE KIT

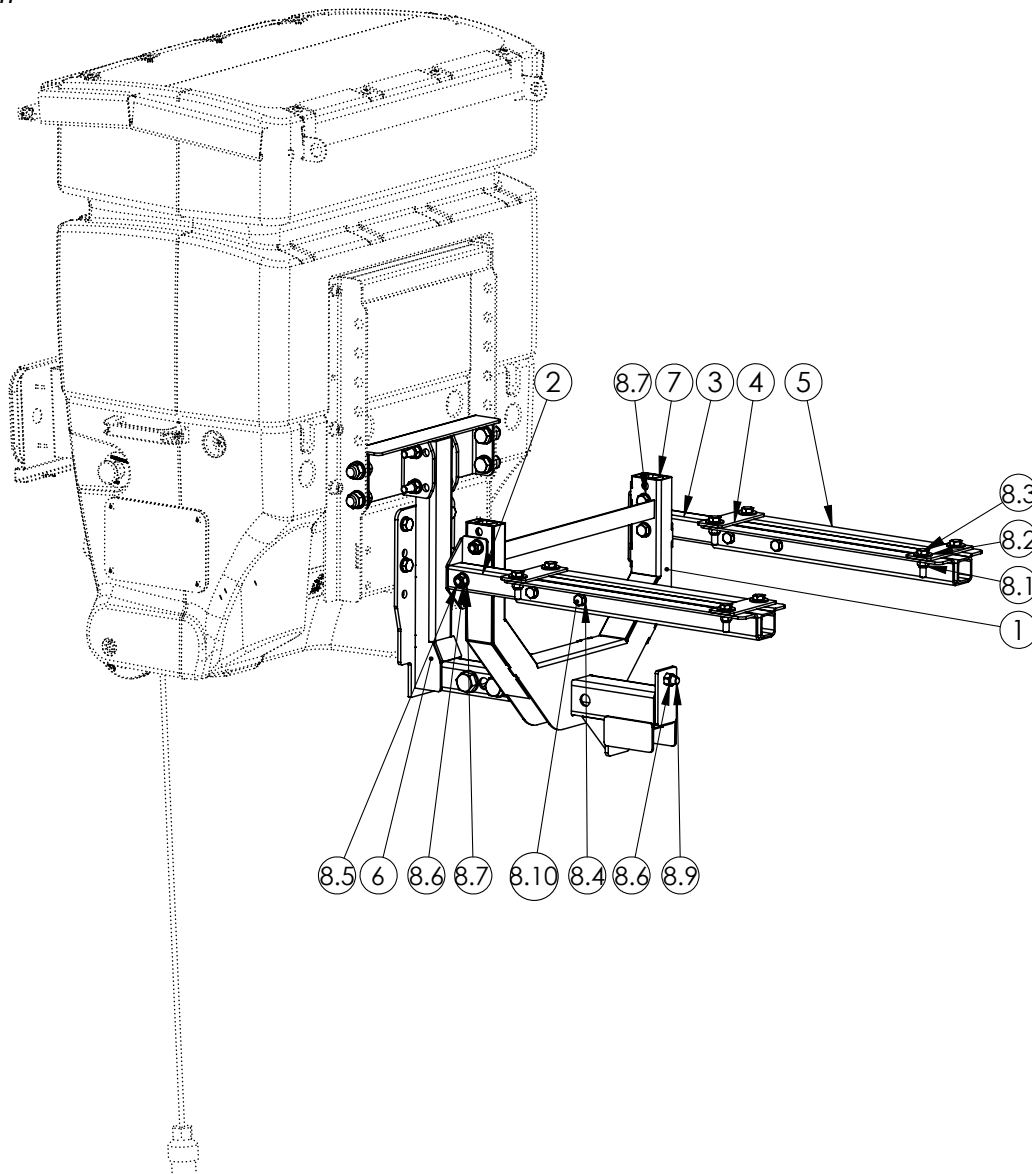
Item	Qty	Part no.	Description
1	1	H41632	Carrier bracket
2	1	H41635	Spreader bracket
3	1	H41638	Swing lock
4	2	HF10479	Washer
5	1	H23767	Compression spring 1.5x14.5x50
6	6	HF15134	Washer DIN 125 M20 ZN
7	2	HF12733	DIN 933 8.8 Zn M20x45
8	2	HF15078	Lock nut DIN985 8.8 Zn M20
9	1	H29754	Lock handle
10	1	H22173	Locking pin
11	8	HF15127	Washer DIN 125 M10
12	4	HF15064	Lock nut DIN 985 M10
13	4	HF12653	Hex Bolt DIN933 8.8 M10x30 ZN
14	4	HF15128	Washer DIN 125 ZN M12
15	2	HF15068	Lock nut DIN 985/8 M12
16	2	HF12672	Bolt M12x35 8.8 DIN933
17	6	HF12706	Bolt DIN 933 M16x40 Zn. 8.8
18	12	HF15130	DIN 125 M16 ZN
19	6	HF15074	Lock nut DIN985 ZN M16
20	1	HF19368	ISO8752 A2 3,5x35



H41770 - VW T6 FLATBED MOUNT

Item	Qty	Part no.	Description
1	1	H41771	VW T6 flatbed weld bracket
2	1	H41778	Beam bracket right
3	1	H41777	Beam bracket left
4	4	H41782	Upper Fastening plate
5	2	H41783	Beam holder plate
6	1	H40296	Tow hitch mount, bolted, 120-300 liter
7	2	H41784	Distance beam
8.1-8.10	1	H41785	Bolt kit VW T6
8.1	12	HF15064	Lock nut DIN 985 M10
8.2	8	HF15190	Washer DIN 9021 ZN M10
8.3	8	HF12655	Bolt M10x40 DIN933
8.4	16	HF10479	Washer DIN 125 M10 A4
8.5	2	HF11696	Hex Bolt 931/10.9 M12x100
8.6	5	HF15068	Lock nut DIN 985/8 M12
8.7	9	HF10480	Washer DIN 125 M12 A4
ns	2	HF12431	Bolt M12x60 8.8 ZN DIN931
8.9	1	HF12671	Bolt M12x30 8.8 DIN933
8.10	4	HF12410	Hex Bolt DIN931 ZN M10x70

ns = not shown





Oy HillTip Ab
Pukkisaarentie 6
FIN-68600 Pietarsaari
Finland

+358 50 5983 026
+358 50 3659 415
www.hilltip.com
info@hilltip.com