



LEGSTANDS & MOUNT FRAMES

ICESTRIKER™ SPREADERS & SPRAYSTRIKER™ SPRAYERS

TABLE OF CONTENTS

PICKUP TRUCKS & FLATBEDS3

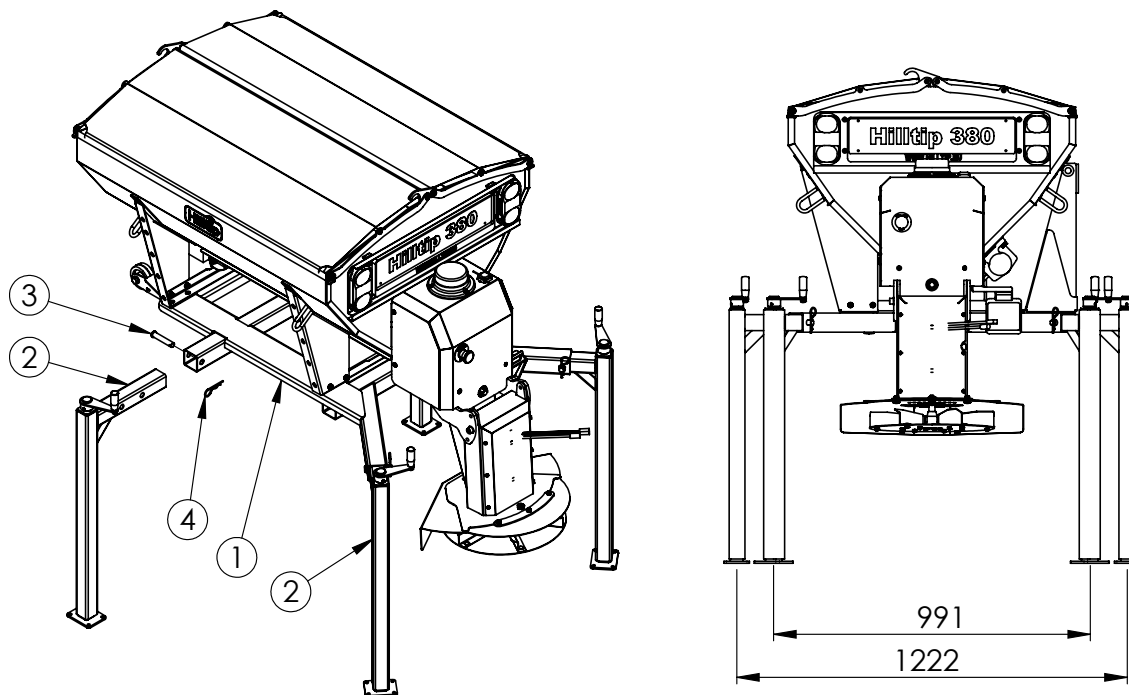
Legstand - IceStriker 380 for flatbed	H25012	3
Legstand - IceStriker 550,750 & 600TR	H24003	4
Legstand - IceStriker 850 & 1100	H23993	4
Legstand - IceStriker 900 AM &1150 AM	H40101	5
Legstand - IceStriker 1250 AML	H40102	5
Legstand - IceStriker 1600-2600	H26646	6
Legstand - IceStriker 1600-2600 with extended frame & for tipper	H41113	7
Hooklift system - IceStriker 1600-2600, 3000-4000 AM/CM	H41121	8
Legstand - IceStriker 3000-4000 AM/CM for tipper	H40871	9
Legstand - IceStriker 3000-4000 AM/CM with extended frame & for tipper	H29720	9
Legstand - IceStriker 5000 CM for tipper	H40119	10

TOOL CARRIERS & TRACTORS 11

EGHOLM CR3070 Mount frame - IceStriker 380	H40774	11
EGHOLM CR3070 Mount frame - IceStriker 550	H40773	12
HAKO CM 1250 mount frame - IceStriker 380 & SprayStriker 500	H26656	13
HAKO CM 1600 mount frame - IceStriker 380 & 550-850	H26657	13
HAKO CM 1250 Legstand & Mount frame - IceStriker 550	H26674	14
HAKO M27 Legstand - IceStriker 550-1100 & 600-1000 TR	H25894	15
HAKO M27 Legstand assembly - SprayStriker 500	H25896	16
3-POINT HITCH - SprayStriker 500	H25023	17
HOLDER C250 Spreader mount frame - IceStriker 380	H26658	18
HOLDER S100/S115/S130 Legstand & mount frame - IceStriker 380	H40304	19
HOLDER S100/S115/S130 Legstand & mount frame - IceStriker 550	H40303	20
HOLDER C250 mount frame- SprayStriker 500	H26677	21
HOLDER C250 Legstand & mount frame - IceStriker 550, 750 & 600TR	H27302	22
KÄRCHER BELOS Mount kit & Legstand - IceStriker 380	H29825	23
LUNDBERG 4250/4150 Mount frame - IceStriker 380	H40830	24
LUNDBERG 4250/4150 Mount frame - IceStriker 550	H40829	25
MULTIHOOG CV 350 Mount kit - IceStriker 380	H29690	26
MULTIHOOG Legstand - IceStriker 380 & SprayStriker 500-1000	H27962	27
MULTIHOOG CV 350 Mount kit - IceStriker 550	H29689	28
MULTIHOOG CX75 Mount frame - IceStriker 550	H27960	29
WILLE 265/345/365/375 Legstand - IceStriker 380	H26659	30
WILLE 475 - IceStriker 380 & SprayStriker 500	H29552	31
WILLE 865 Mount kit - IceStriker 380 & SprayStriker 500-1000	H29090	32
WILLE 265/ 345 installation frame mount - SprayStriker	H26609	33
WILLE 265/345/365/375 Legstand assembly - IceStriker 550	H28444	34
WILLE 475 Legstand - IceStriker 550	H29538	35
WILLE 865 Mount kit - IceStriker 550-850	H29168	36
VITRA C3.75 Mount frame for - IceStriker 380	H40828	37
VITRA C3.75 Mount frame - IceStriker 550	H40818	38

H25012 LEGSTAND FOR FLATBED - ICESTRIKER 380

Item	Qty	Part no.	Description
1	1	H25679	Legstand frame assembly
2	4	H41550	Legstand assembly, short model – flatbed under 90 cm
	4	H26112	Legstand assembly, standard model
	4	H29182	Legstand assembly, long model – flatbed over 140 cm
3	4	H22172	Pin \varnothing 16 mm
4	4	HF16073	Locking pin \varnothing 3,5mm

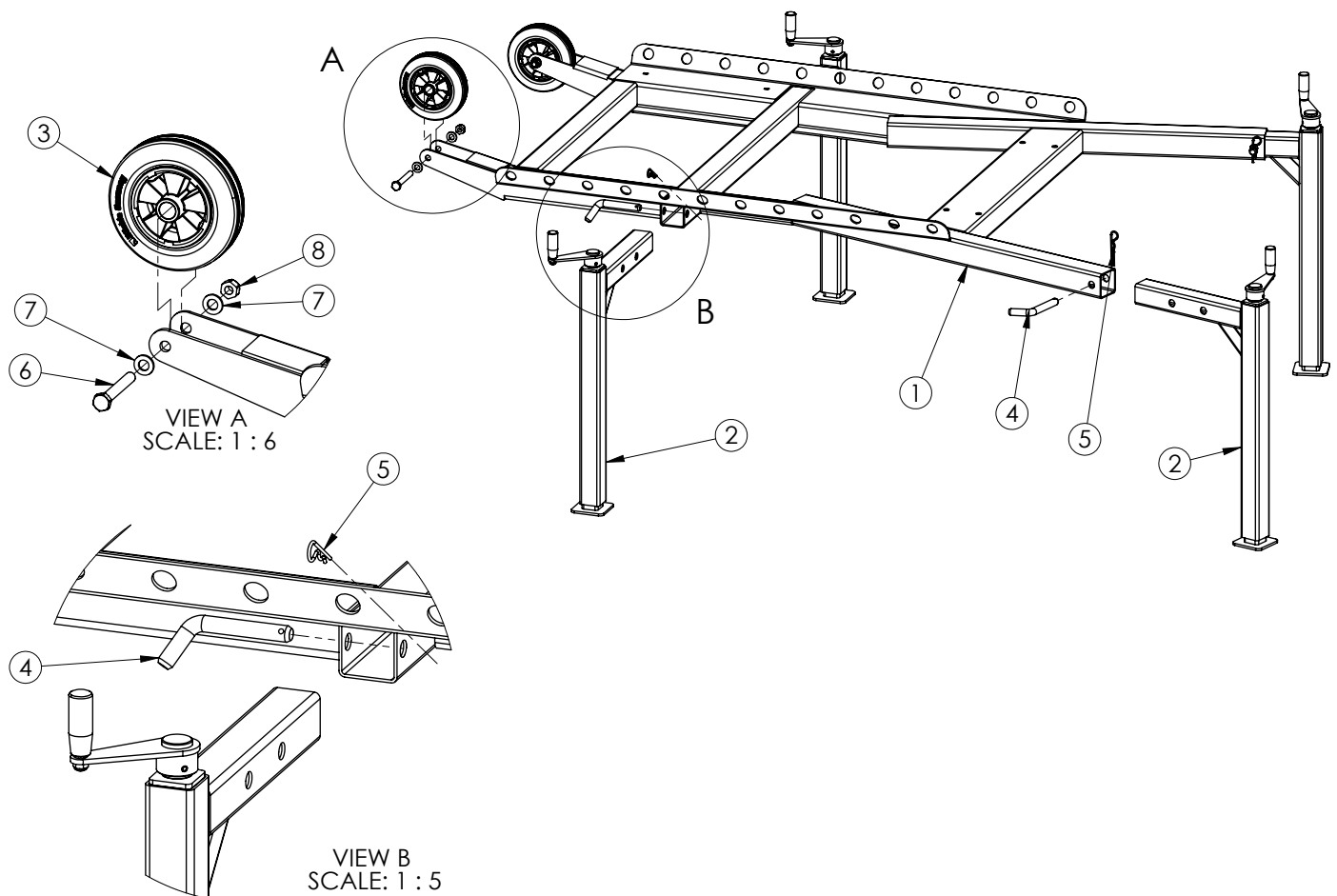


LEGSTAND - ICESTRIKER 550-1100, 600TR

H24003 - IceStriker 550, 750 & 600TR

H23993 - IceStriker 850 & 1100

Item	Qty	Part no.	Description
1	1	H24004	Frame - Legstand 550 & 750
	1	H23994	Frame - Legstand 850 & 1100
2	4	H41550	Legstand assembly, short model – flatbed under 90 cm
	4	H26112	Legstand assembly, standard model
	4	H29182	Legstand assembly, long model – flatbed over 140 cm
3	2	H24104	Wheel
4	4	H24102	Pin \varnothing 16 mm
5	4	HF16072	Locking pin
6	2	HF18687	Bolt M12x90 8.8 DIN931
7	4	HF15128	Washer DIN 125 M12
8	2	HF15068	Lock nut DIN 985/8 M12



LEGSTAND - ICESTRIKER 900 AM - 1250 AML

H40101 - IceStriker 900-1150 AM

H40102 - IceStriker 1250 AML

Item	Qty	Part no.	Description
1	1	H40405	Mount frame 900 AM-1250 AML
2	4	H41550	Legstand assembly, short model – flatbed under 90 cm
	4	H26112	Legstand assembly, standard model
	4	H29182	Legstand assembly, long model – flatbed over 140 cm
3	2	H40414	Extension plate for 1250 AML
4	2	H24577	Wheel assembly
5	14	HF12435	Bolt M12x80 8.8 DIN931 ZN
6	14	HF15068	Lock nut DIN 985/8 M12
7	28	HF15128	Washer DIN 125 M12
8	4	HF16072	Locking pin V431
9	4	H24102	Pin $\varnothing 16$ mm $\varnothing 16.0-150.0$
10	2	H40399	Extension beam for 1250 AML
11	4	HF13748	Lockbolt M16x40 DIN603 Zn
12	4	HF15074	Lock nut DIN985 ZN M16

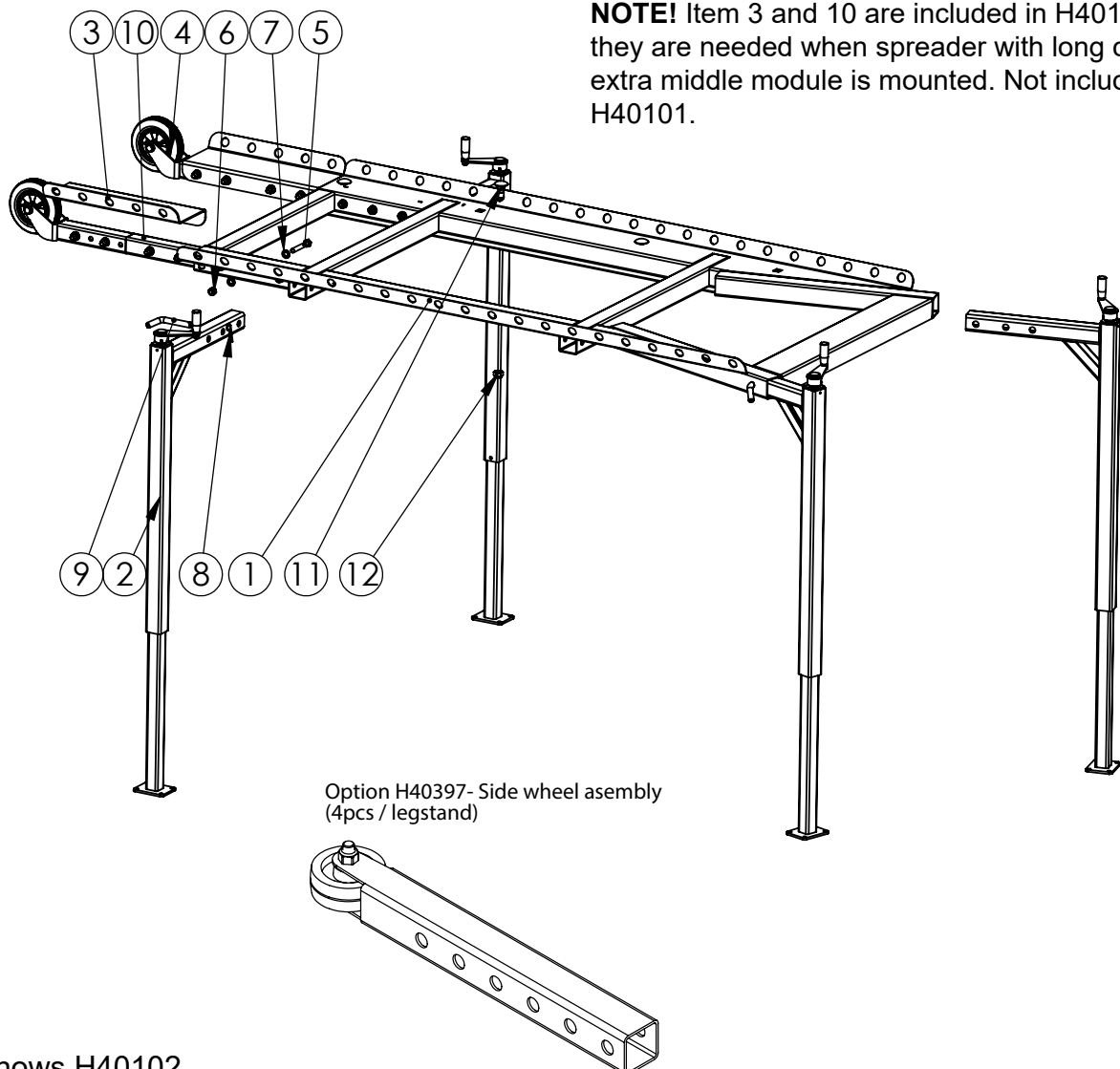
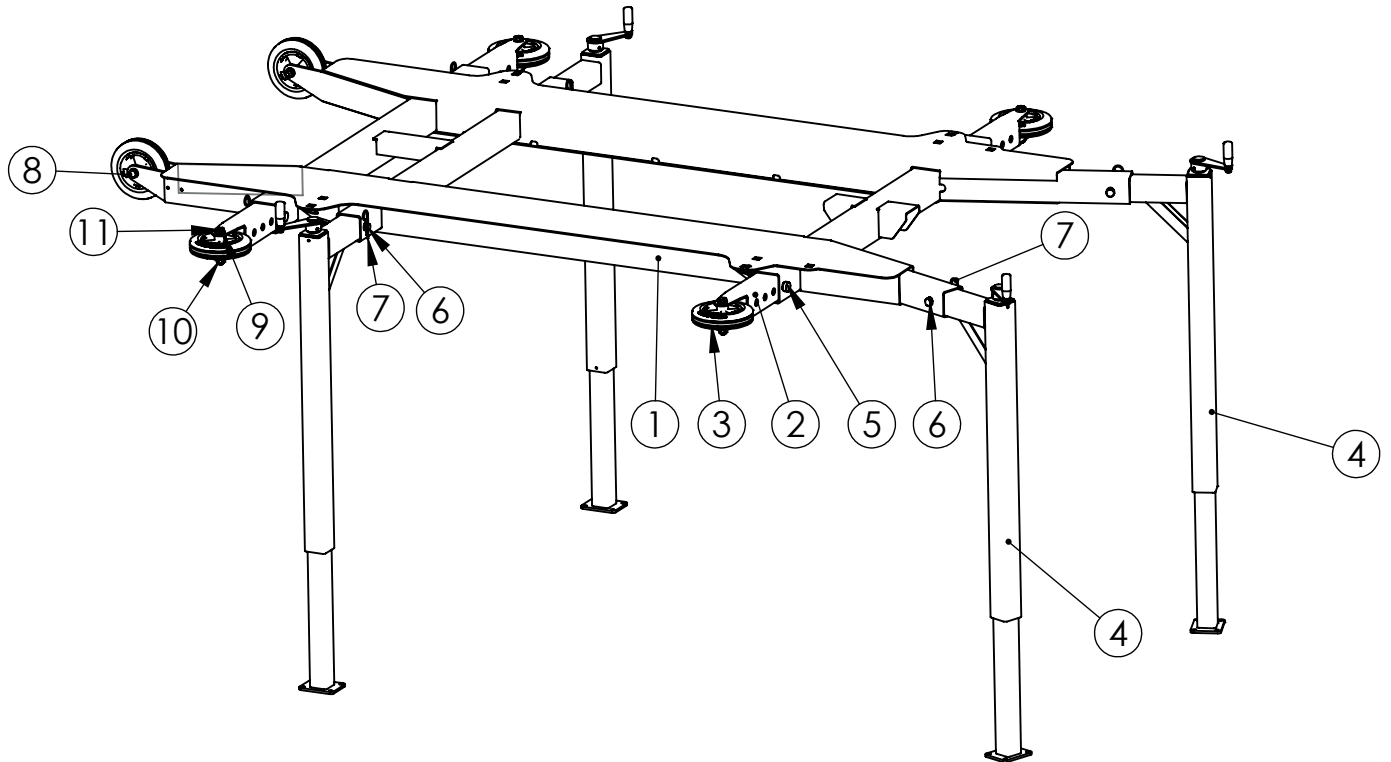


Image shows H40102

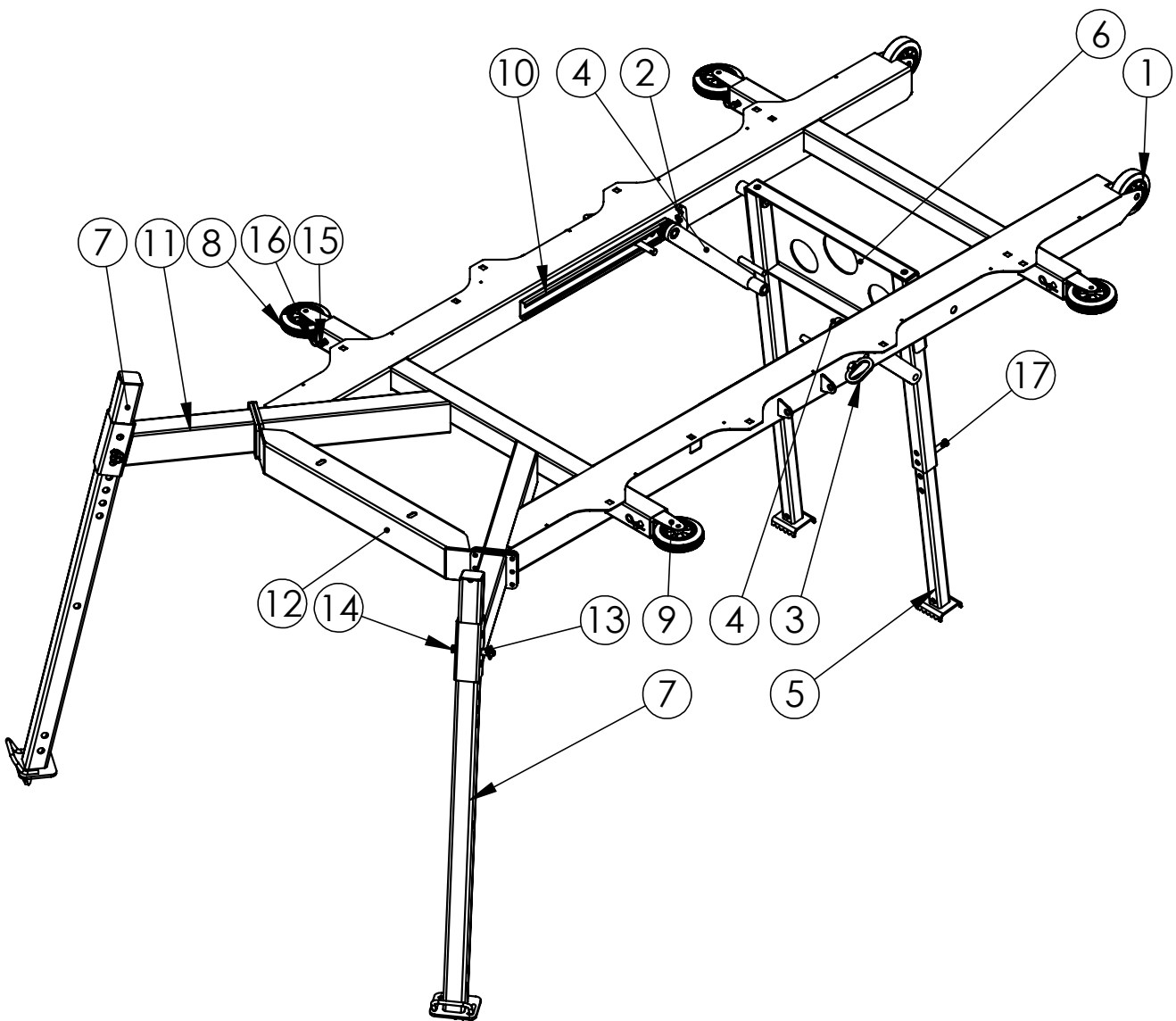
H26646 LEGSTAND - ICESTRIKER 1600-2600

Item	Qty	Part no.	Description
1	1	H40561	Legstand frame
2	4	H26704	Beam
3	6	H24104	Wheel
4	4	H27031	Legstand assembly
5	4	H27587	Pin 16x97
6	4	H24102	Pin \varnothing 16x78
7	8	HF16073	Locking pin \varnothing 3,5mm
8	2	HF12414	Bolt M12x100 8.8 DIN931
9	12	HF15128	Washer DIN 125 ZN M12
10	6	HF15068	Lock nut DIN 985/8 M12
11	4	HF18687	Bolt M12x90 8.8 DIN931



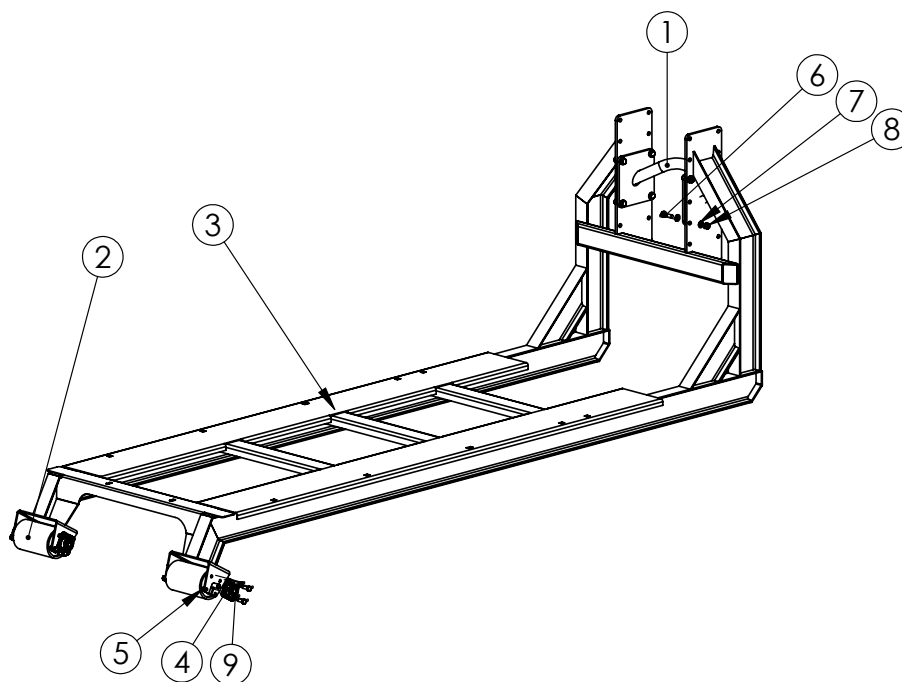
H41113 LEGSTAND - ICESTRIKER 1600-2600 WITH EXTENDED FRAME & FOR TIPPER

Item	Qty	Part no.	Description
1	2	H40744	Wheel 150/20-50
2	1	H40865	Locking plate
3	2	H29754	Lock handle
4	2	H29751	Front leg support arm
5	2	H29744	Front leg
6	1	H29747	Front upper leg
7	2	H29745	Rear leg
8	4	H24104	Wheel
9	4	H26704	Beam
10	1	H29721	Legstand frame
11	2	H40869	Leg pipe short
12	1	H29787	Support plate for extended chute
13	2	H22113	Locking pin
14	2	H21208	Pin 19x102
15	4	H27587	Pin 16x97
16	6	HF16073	Locking pin $\varnothing 3,5\text{mm}$
17	2	H24102	Pin $\varnothing 16 \times 78\text{ mm}$

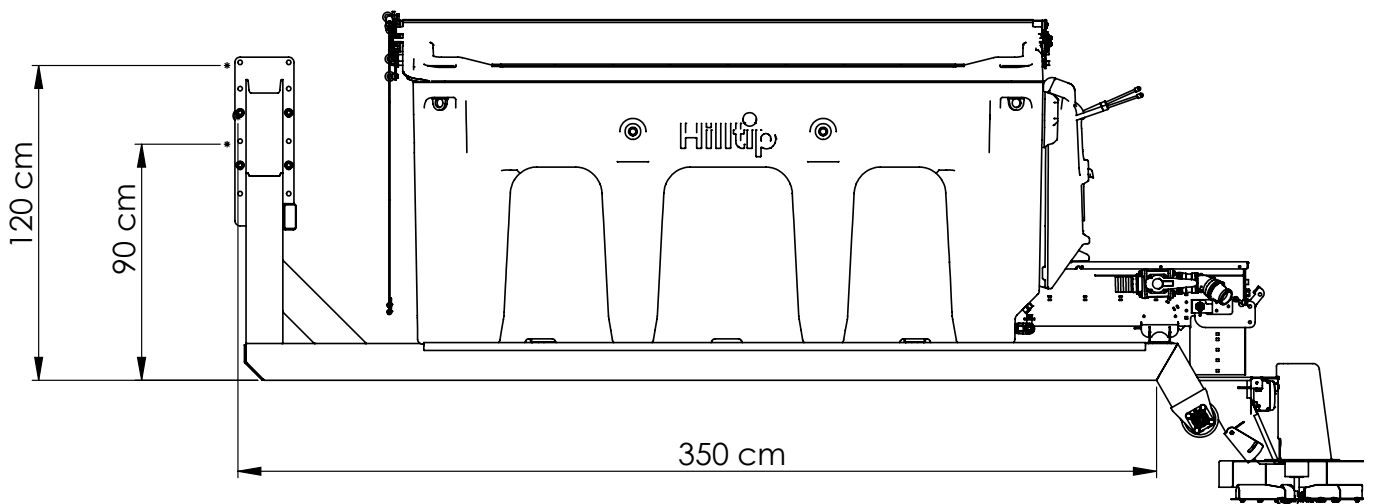


H41121 HOOKLIFT SYSTEM - ICESTRIKER 1600-2600 & 3000-4000 AM/CM

Item	Qty	Part no.	Description
1	1	H41129	Adjustable hook
2	2	H41134	Wheel bracket
3	1	H41141	Welded Subframe 1060x3500 mm
4	4	H23127	Flange bearing unit stainless
5	16	HF15068	Lock nut DIN 985/8 M12
6	8	HF12708	Bolt DIN 933 ZN M16x50
7	16	HF15130	DIN 125 M16 ZN
8	8	HF15074	Lock nut DIN985 ZN M16
9	16	HF12675	Bolt M12x35 8.8 DIN933



Adjustable hook height from 90 to 120 cm

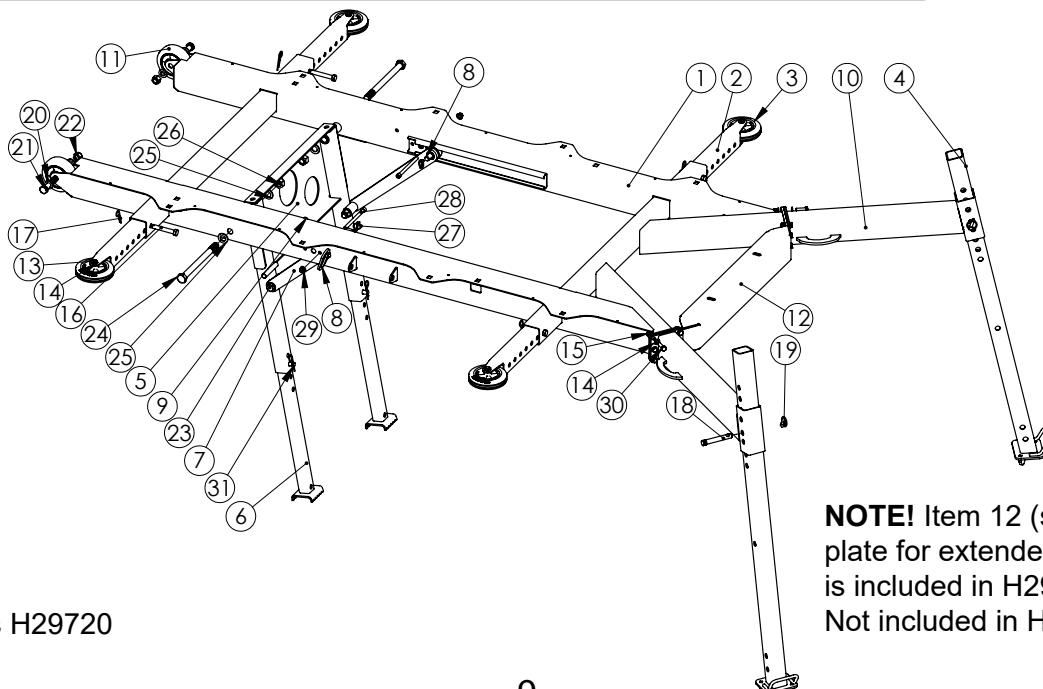


LEGSTAND - ICESTRIKER 3000-4000 AM/CM

H40871 - IceStriker 3000-4000 AM/CM for tipper

H29720 - IceStriker 3000-4000 AM/CM with extended frame & for tipper

Item	Qty	Part no.	Description	Notes
1	1	H29721	Legstand frame	
2	4	H26704	Beam	
3	4	H24104	Wheel	
4	2	H29745	Rear leg	
5	1	H29747	Front upper leg	
6	2	H29744	Front leg	
7	2	H29751	Front leg support arm	
8	2	H29754	Lock handle	
9	1	H40865	Locking plate	
10	2	H40867	Leg pipe long, for legstand H29720	
	2	H40869	Leg pipe short, for legstand H40871	
11	2	H40744	Wheel 150x50x20	
12	1	H29787	Support plate for extended chute	Included in H29720
13	4	HF18687	Bolt M12x90 8.8 DIN931	
14	32	HF15128	Washer DIN 125 ZN M12	
15	16	HF15068	Lock nut DIN 985/8 M12	
16	4	H27587	Pin 16x97	
17	6	HF16073	Locking pin \varnothing 3,5mm	
18	2	H21208	Pin 19x102	
19	2	H22113	Locking pin	
20	8	HF15134	Washer DIN 125 M20 ZN	
21	2	HF12488	DIN 931/8.8ZN M20x100	
22	4	HF15078	Lock nut DIN985 8.8 Zn M20	
23	2	HF12489	M20x110 DIN 931 8.8 Zn M20x110	
24	2	HF12531	Bolt DIN 931 8.8Zn M24x300	
25	4	HF15136	Washer DIN 125 M24	
26	2	HF15082	LOCK NUT M24	
27	2	H22173	Locking pin	
28	2	HF12036	DIN 912 8.8Zn M12x160	
29	2	HF15371	Flanged Nylock M12 8.8 Zn	
30	12	HF12673	Bolt M12x40 8.8 ZN DIN933	
31	2	H24102	Pin \varnothing 16x78	

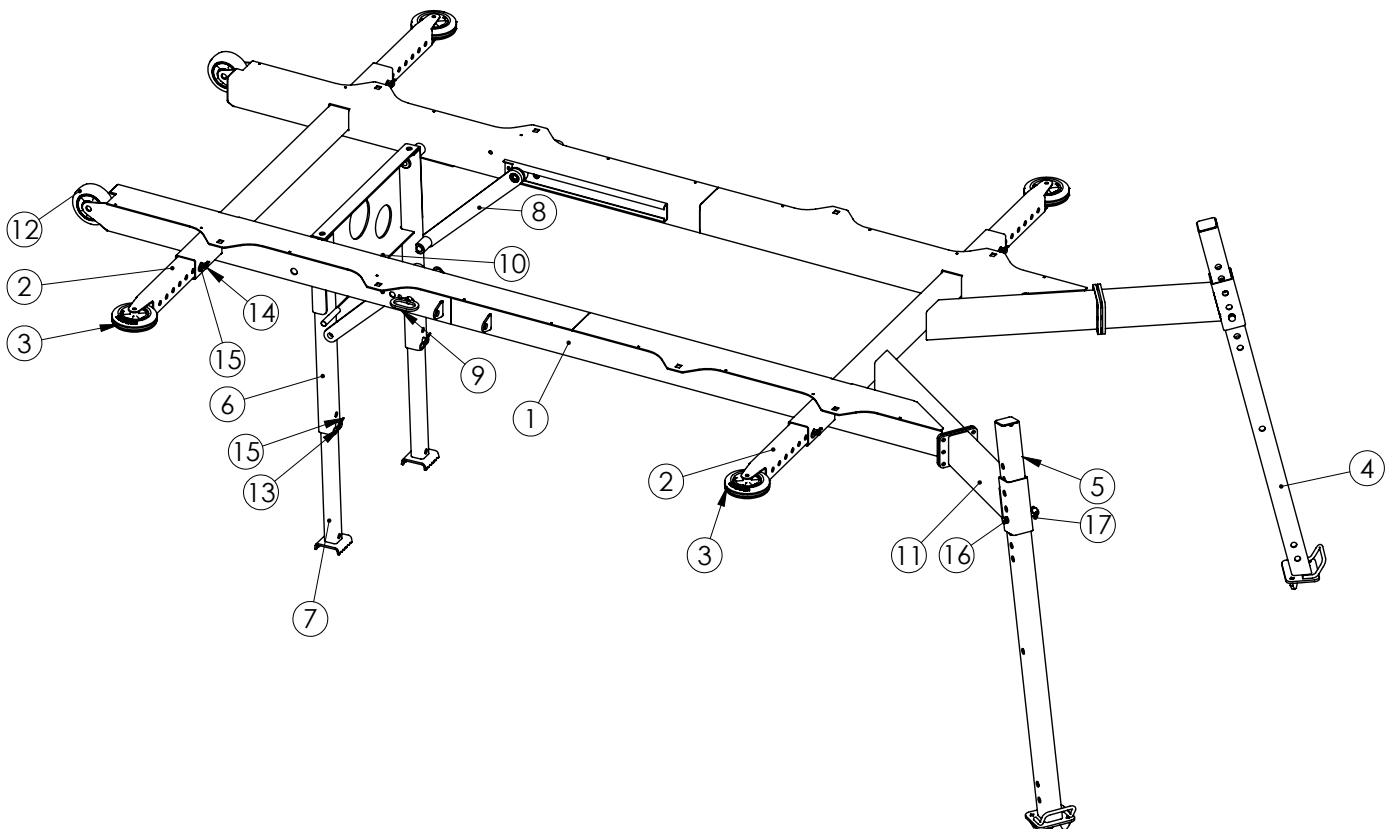


NOTE! Item 12 (support plate for extended chute) is included in H29720. Not included in H40871.

Image shows H29720

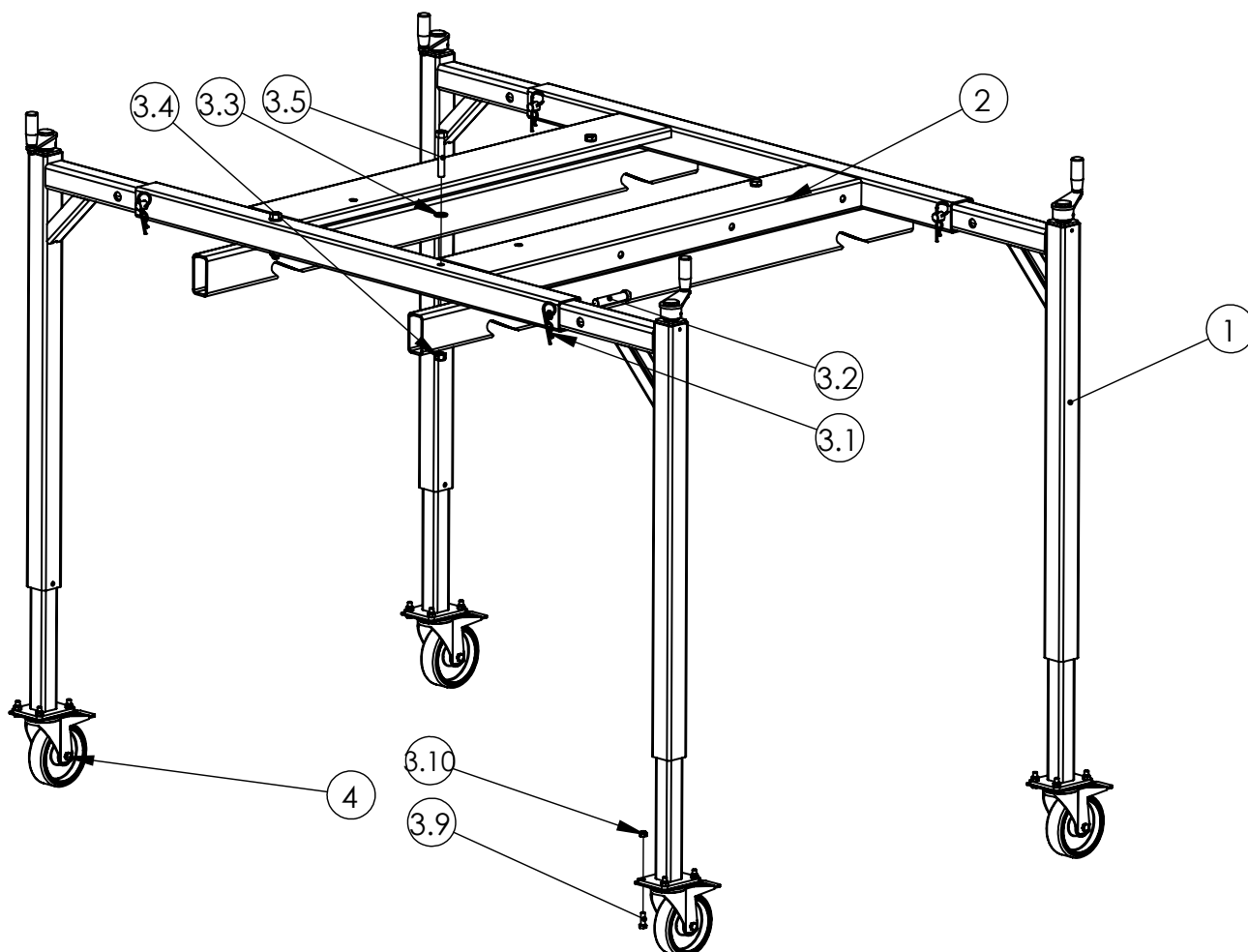
H40119 LEGSTAND - ICESTRIKER 5000 CM FOR TIPPER

Item	Qty	Part no.	Description
1	1	H40877	Legstand frame
2	4	H26704	Beam
3	4	H24104	Wheel
4	1	H29745	Rear leg
5	1	H29745	Rear leg
6	1	H29747	Front upper leg
7	2	H29744	Front leg
8	2	H29751	Front leg support arm
9	2	H29754	Lock handle
10	1	H40865	Locking plate
11	2	H40869	Leg pipe short
12	2	H40744	Wheel 150/20-50
13	2	H24102	Pin \varnothing 16x78 mm
14	4	H27587	Pin 16x97 Pin 16x97
15	6	HF16073	Locking pin \varnothing 3,5mm
16	2	H21208	Pin 19x102
17	2	H22113	Locking pin
ns	2	H22699	Linch pin 6mm



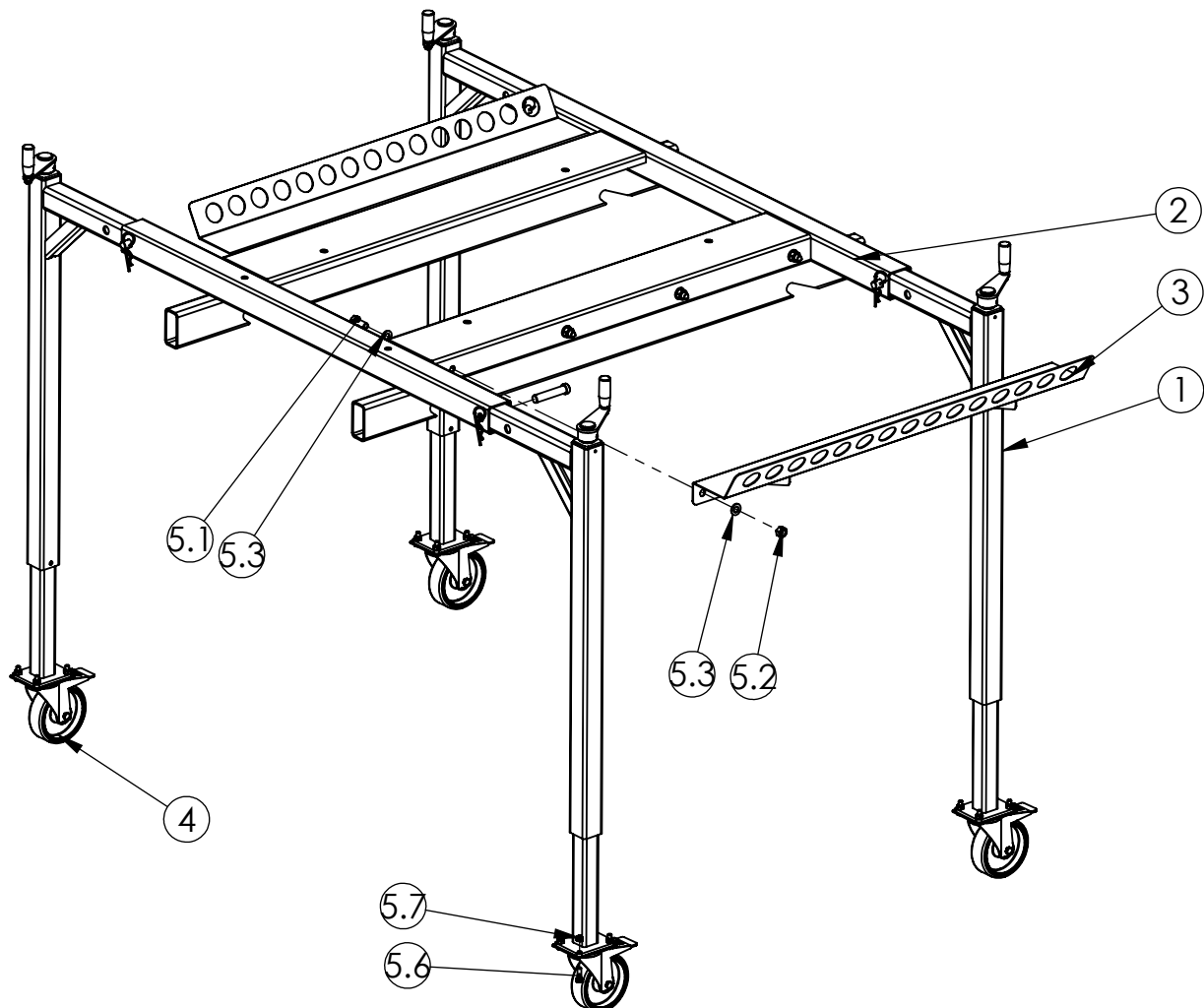
H40774 EGHOLM CR3070 MOUNT FRAME - ICESTRIKER 380

Item	Qty	Part no.	Description
1	4	H26112	Legstand assembly
2	1	H40775	Welded mount frame
3.1-3.10	1	H40788	Bolt kit Egholm CR3070 for 380
3.1	4	HF16073	Locking pin $\varnothing 3,5\text{mm}$ V431A
3.2	4	H24102	Pin $\varnothing 16 \times 78$ mm
3.3	2	HF10480	Washer DIN 125 M12 A4
3.4	2	HF15068	Lock nut DIN 985/8 M12
3.5	2	HF11704	Bolt DIN 931 M12x80 10.9
3.6	2	HF15064	Lock nut DIN 985 M10
3.7	2	HF10479	Washer
3.8	2	HF12671	Bolt M12x30 8.8 DIN933
3.9	16	HF10744	Hex Bolt M8x25
3.10	16	HF10513	Nyloc DIN 985 M8 A4-80
4	4	H40744	Wheel 150x50x20



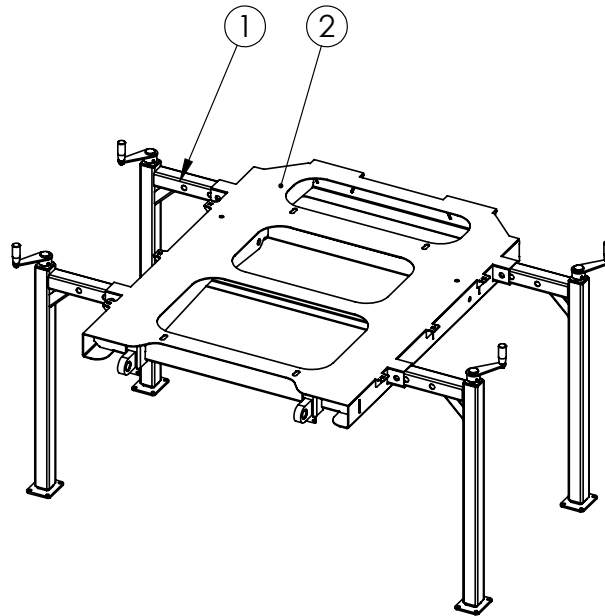
H40773 EGHOLM CR3070 MOUNT FRAME - ICESTRIKER 550

Item	Qty	Part no.	Description
1	4	H26112	Legstand assembly
2	1	H40775	Welded mount frame
3	2	H40856	550 fastening bracket
4	4	H40744	Wheel 150x50x20
5.1-5.7	1	H40780	Bolt kit Egholm CR3070 for 550
5.1	8	HF12671	Bolt M12x30 8.8 DIN933
5.2	8	HF15068	Lock nut DIN 985/8 M12
5.3	16	HF15128	Washer DIN 125 ZN M12
5.4	4	HF16073	Locking pin $\varnothing 3,5\text{mm}$
5.5	4	H24102	Pin $\varnothing 16 \times 78\text{ mm}$
5.6	16	HF10744	Hex Bolt M8x25
5.7	16	HF10513	Nyloc DIN 985 M8 A4-80



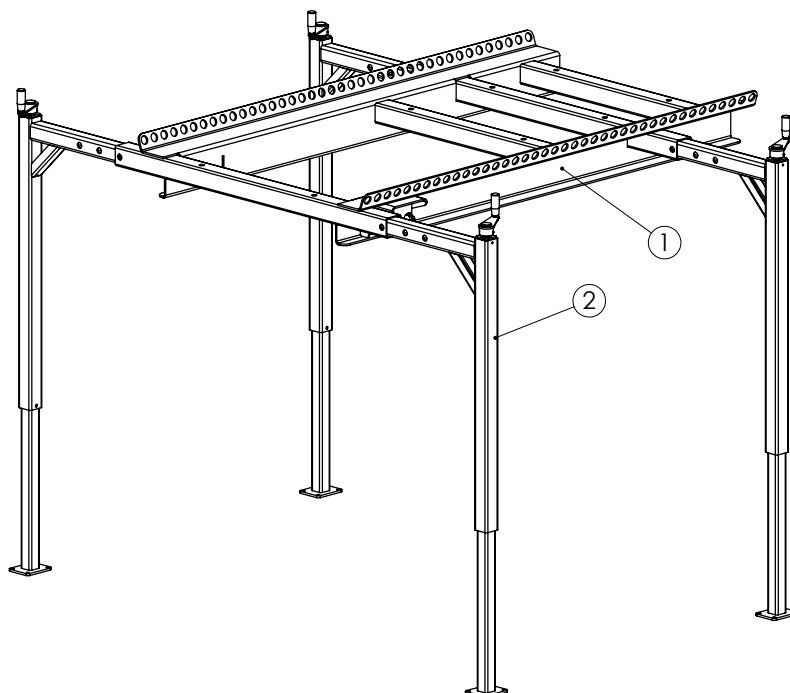
H26656 HAKO CM 1250 SPREADER MOUNT FRAME - ICESTRIKER 380 & SPRAYSTRIKER 500

Item	Qty	Part no.	Description
1	4	H24012	Adjustable leg - front & rear
2	1	H27396	Mount frame for Hako CM 1250



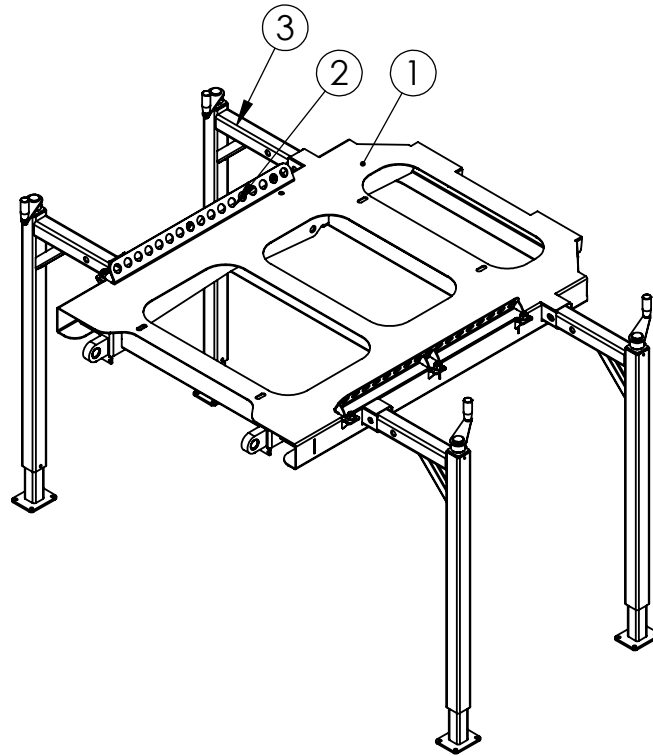
H26657 HAKO CM 1600 SPREADER MOUNT FRAME - ICESTRIKER 380 & 550-850

Item	Qty	Part no.	Description
1	1	H26663	Weld component
2	4	H26112	Legstand assembly



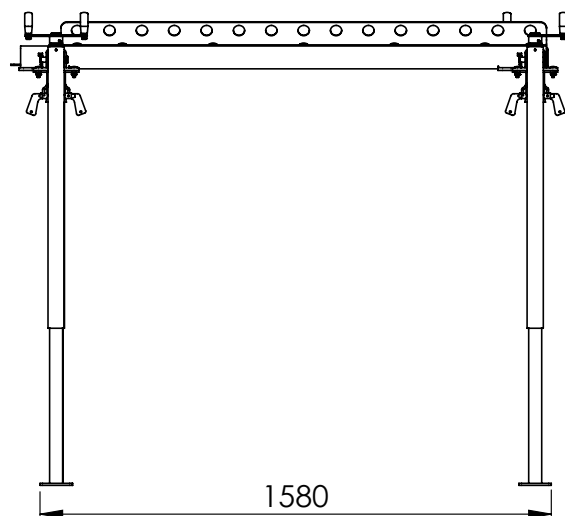
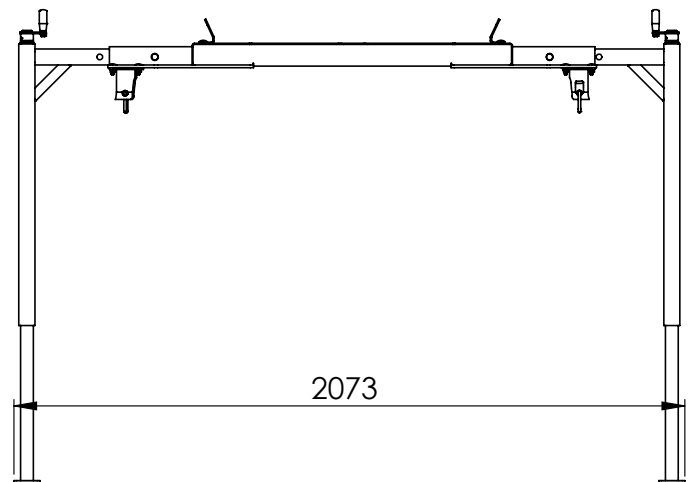
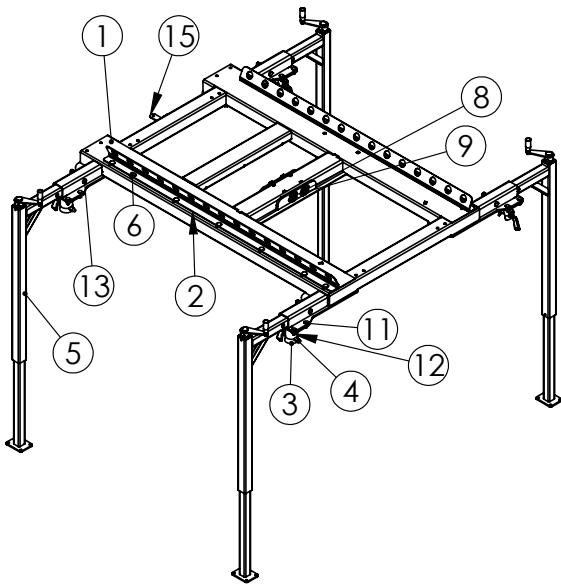
H26674 HAKO CM 1250 LEGSTAND & MOUNT FRAME - ICESTRIKER 550

Item	Qty	Part no.	Description
1	1	H27396	Mount frame for Hako CM 1250
2	2	H27410	Slide stopper bracket
3	4	H26112	Legstand assembly



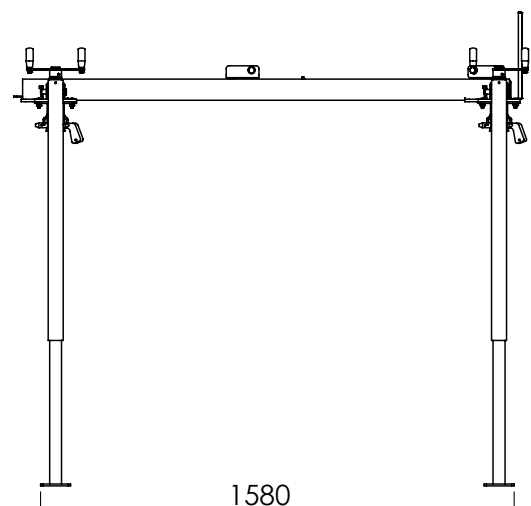
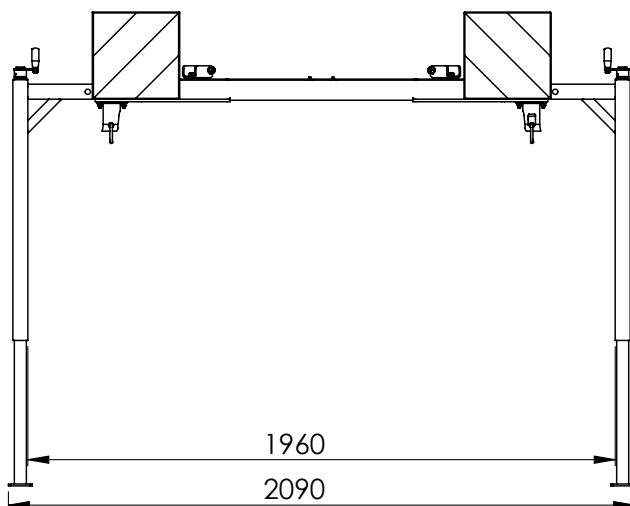
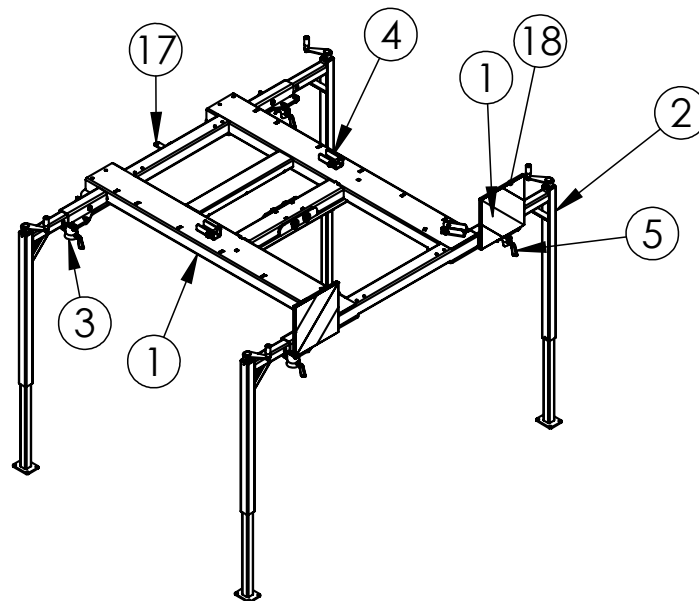
H25894 HAKO M27 LEGSTAND ASSEMBLY - ICESTRIKER 550-1100 & 600-1000TR

Item	Qty	Part no.	Description
1	1	H25876	Hako M27 legstand frame
2	2	H25890	Plate
3	4	H25884	Lock bracket
4	4	H25892	Lock pin 3-way tilt bracket
5	4	H26112	Legstand assembly
6	14	HF13734	DIN603 8.8 Zn M10x30
ns	14	HF15370	Flange nut M10 8.8 Zn
8	2	H25935	Locking pin
9	2	H25381	Linch pin 8mm
ns	16	HF15149	Washer DIN 125 M8 ZN
11	16	HF13761	DIN 603 8.8Zn M8x30
12	16	HF15100	Lock nut DIN985 ZN M8
13	4	H22172	Pin \varnothing 16 mm
ns	4	H22173	Locking pin
15	1	H27260	Bracket



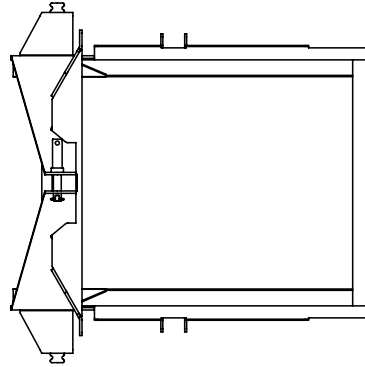
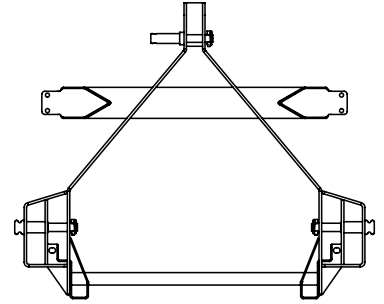
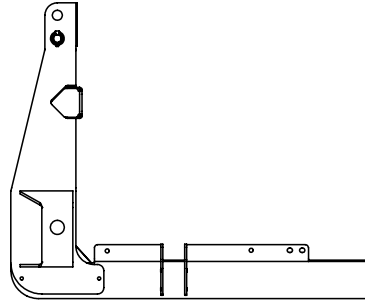
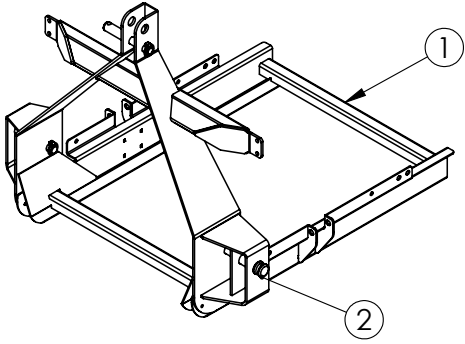
H25896 HAKO M27 LEGSTAND ASSEMBLY - SPRAYSTRIKER 500

Item	Qty	Part no.	Description
1	1	H25876	Hako M27 legstand frame
2	4	H26112	Legstand assembly
3	4	H25884	Lock bracket
4	4	H25891	Bracket
5	4	H25892	Lock pin 3-way tilt bracket
ns	4	HF12991	Bolt M12x90 8.8 DIN931
ns	16	HF15471	Washer DIN 126 M16 Washer
ns	8	HF15068	Lock nut DIN 985/8 M12
ns	4	HF12673	Bolt M12x40 8.8 DIN933
ns	2	H25935	Locking pin
ns	2	H25381	Linch pin 8mm
ns	4	H22172	Pin \varnothing 16 mm
ns	4	H22173	Locking pin
ns	16	HF13761	DIN 603 8.8Zn M8x30
ns	16	HF15149	Washer DIN 125 M8 ZN
ns	16	HF15100	Lock nut DIN985 ZN M8
17	1	H27260	Bracket
18	1	H26517	Reflector plate kit "HAKO"



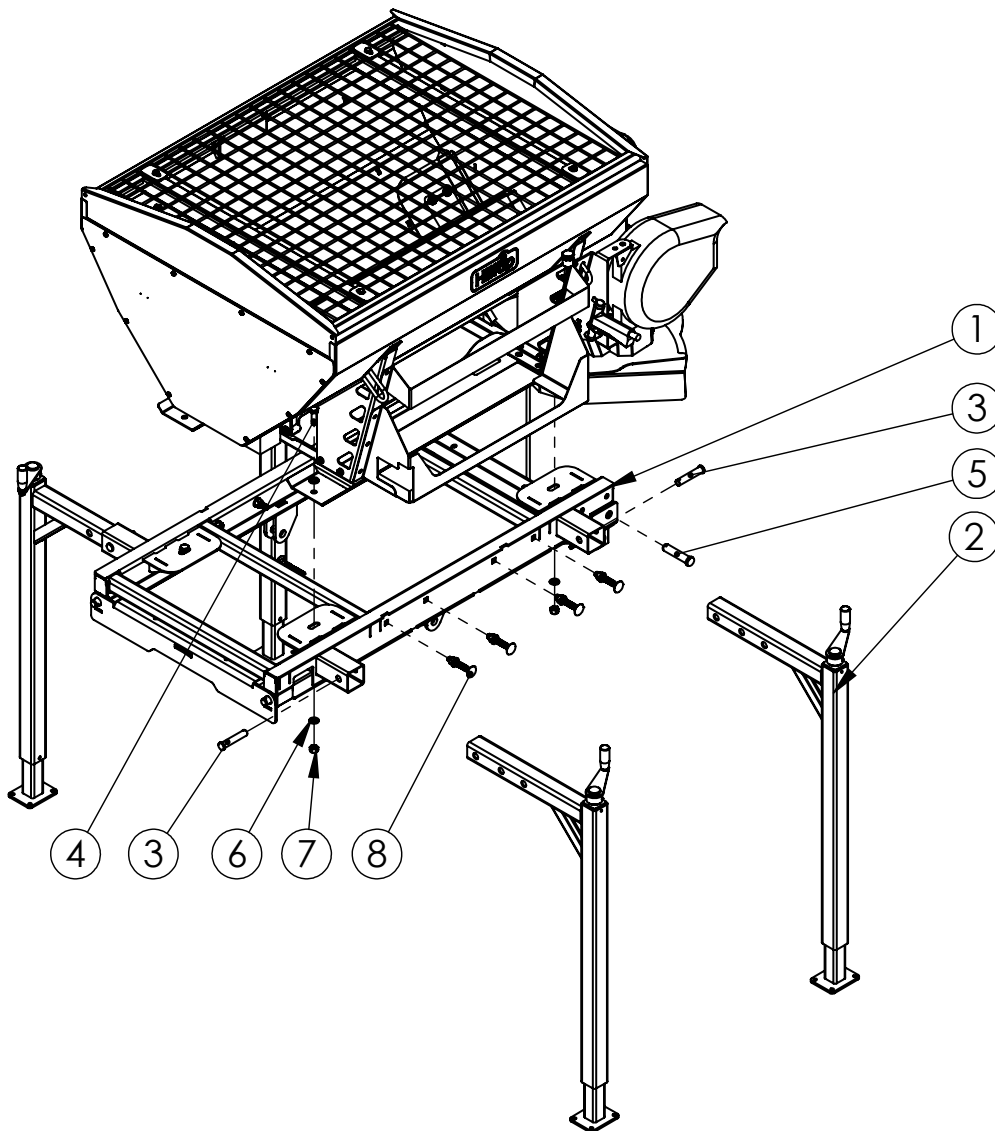
H25023 3-POINT HITCH - SPRAYSTRIKER 500

Item	Qty	Part no.	Description
1	1	H25987	3-point Hitch frame for SprayStriker 500
2	2	H26001	Pin Ø45-202
ns	1	H26002	Pin Ø40-200
ns	3	H22113	Locking pin



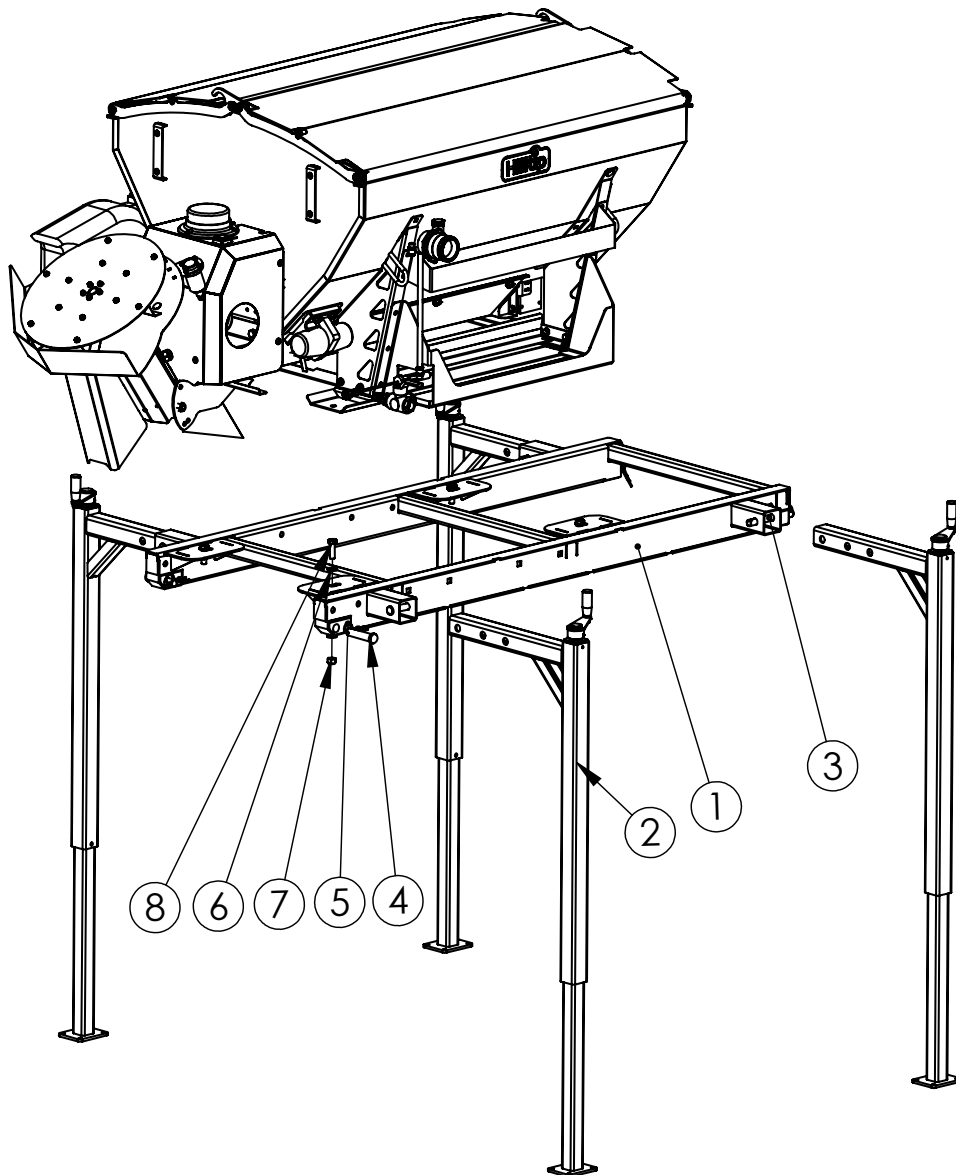
H26658 HOLDER C250 SPREADER MOUNT FRAME - ICESTRIKER 380

Item	Qty	Part no.	Description
1	1	H27256	Spreader frame Holder C250
2	4	H26112	Legstand assembly
3	4	H22172	Pin $\varnothing 16$ mm
4	4	HF12673	Bolt M12x40 8.8 ZN DIN933
5	4	H27304	Pin 92x19
6	16	HF10480	Washer DIN 125 M12 A4
7	12	HF10504	Nyloc DIN 985 M12 A4
8	8	HF13681	DIN 603 M12x80 ZN



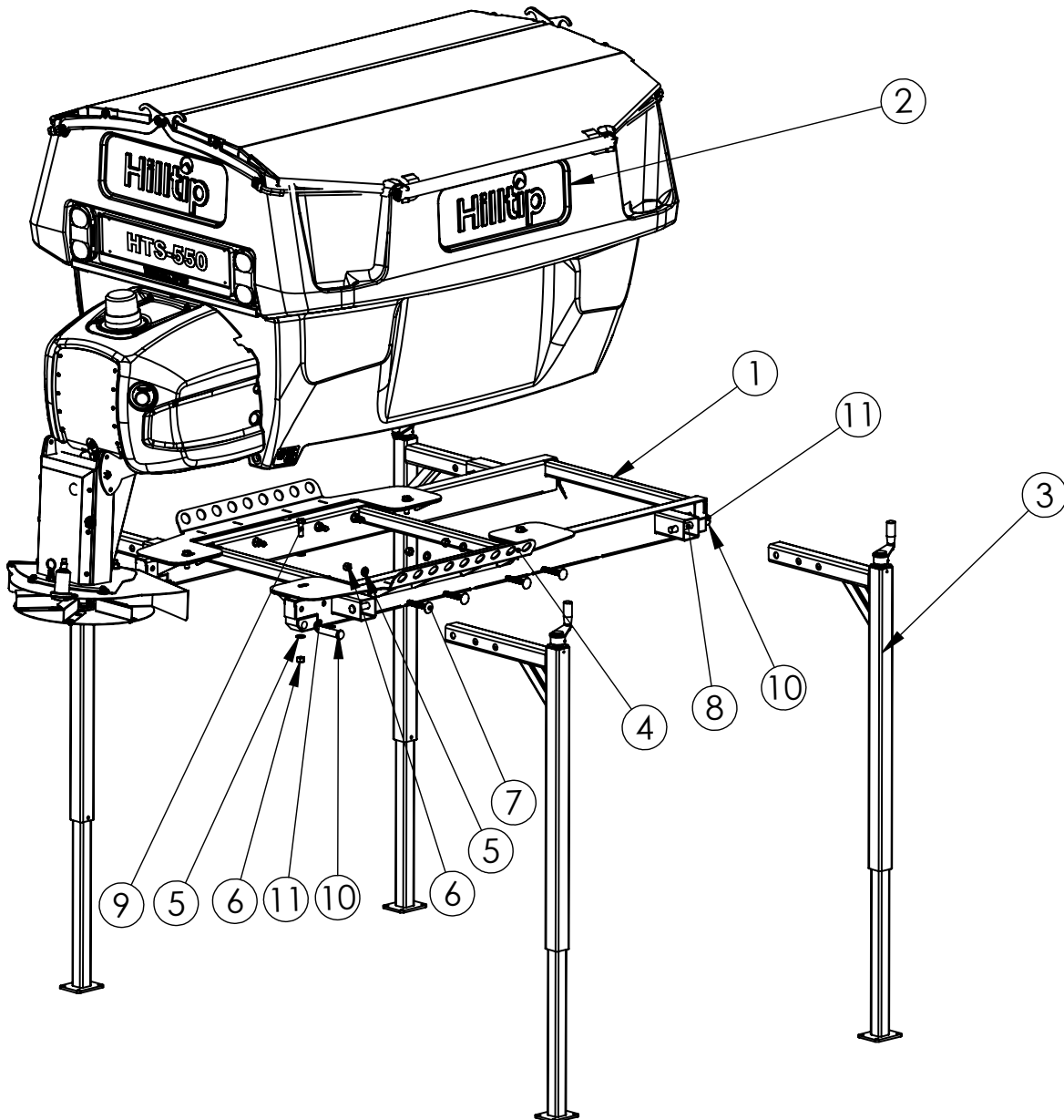
H40304 HOLDER S100/S115/S130 LEGSTAND & SPREADER MOUNT FRAME - ICESTRIKER 380

Item	Qty	Part no.	Description
1	1	H40305	Holder S100/S115/S130 Mount frame
2	4	H26112	Legstand assembly
3	4	H22172	Pin $\varnothing 16$ mm V1036
4	4	H27304	Pin 92x19
5	4	HF16073	Locking pin $\varnothing 3,5$ mm
6	8	HF10480	Washer DIN 125 M12 A4
7	4	HF10504	Nyloc DIN 985 M12 A4
8	4	HF12673	Bolt M12x40 8.8 DIN933



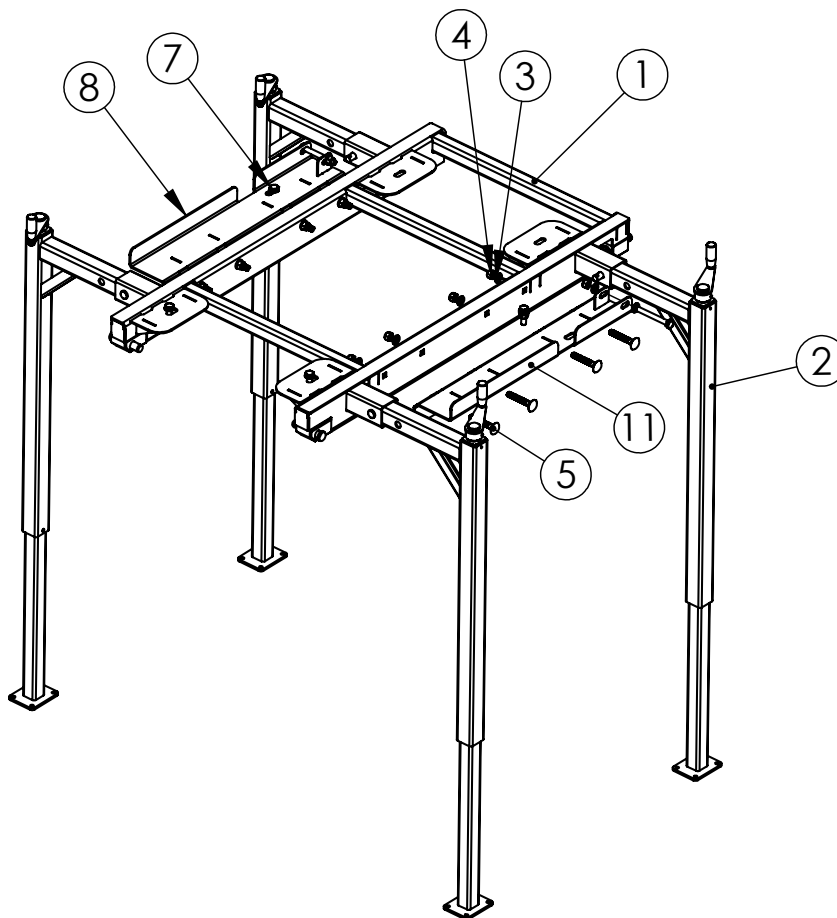
H40303 HOLDER S100/S115/S130 LEGSTAND & SPREADER MOUNT FRAME - ICESTRIKER 550

Item	Qty	Part no.	Description
1	1	H40305	Holder S100/S115/S130 Mount frame
2	1		550 Spreader
3	4	H26112	Legstand assembly
4	2	H27303	Bracket Icestriker 550 (Holder C250)
5	16	HF10480	Washer DIN 125 M12 A4
6	12	HF10504	Nyloc DIN 985 M12 A4
7	8	HF13681	DIN 603 M12x80 ZN
8	4	H22172	Pin \varnothing 16 mm
9	4	HF12673	Bolt M12x40 8.8 DIN933
10	4	H27304	Pin 92x19
11	4	HF16073	Locking pin \varnothing 3,5mm



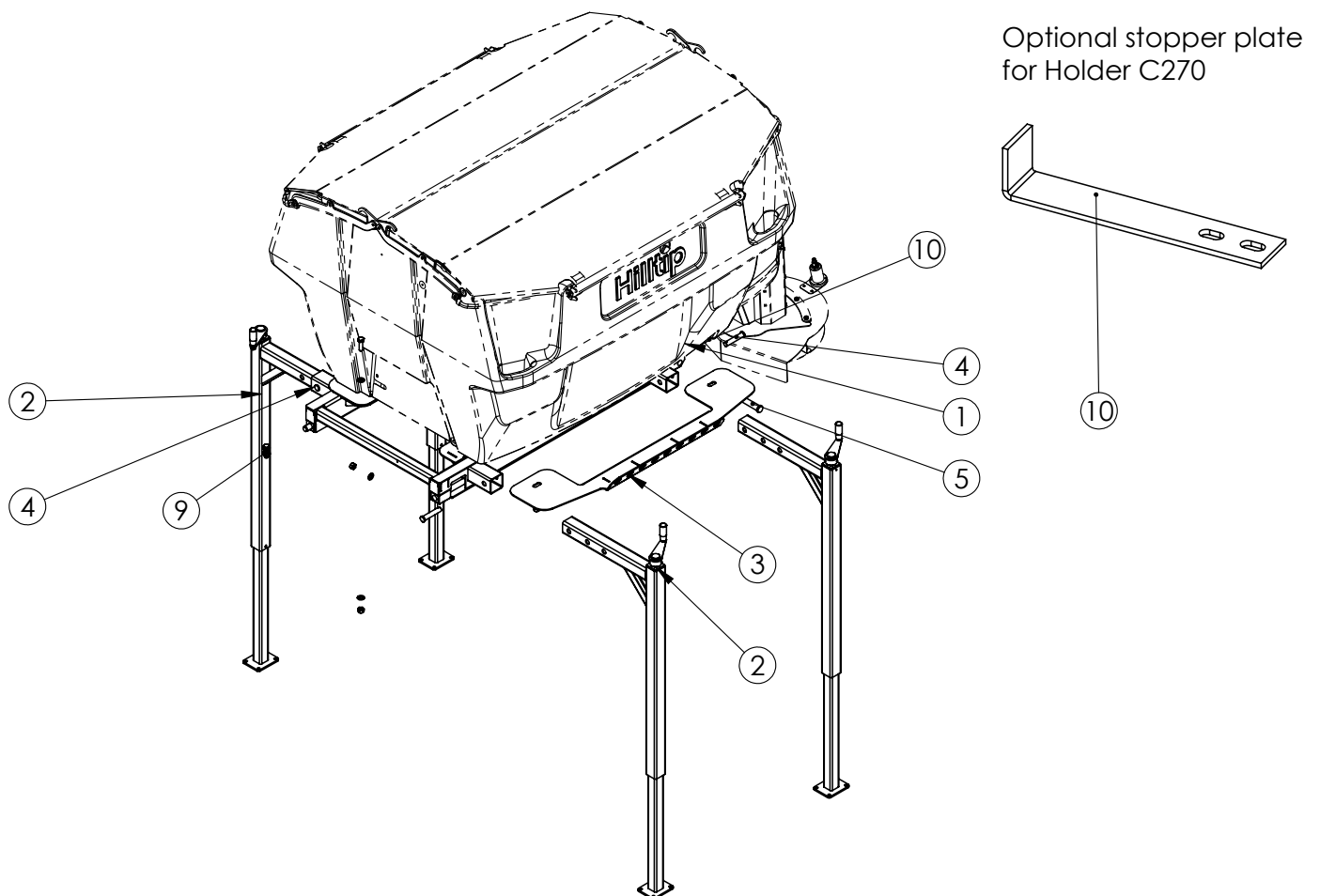
H26677 HOLDER C250 MOUNT FRAME - SPRAYSTRIKER 500

Item	Qty	Part no.	Description
1	1	H27256	Spreader frame Holder C250
2	4	H26112	Legstand assembly
3	20	HF10480	Washer DIN 125 M12 A4
4	14	HF10504	Nyloc DIN 985 M12 A4
5	8	HF13681	DIN 603 M12x80 ZN
ns	4	H22172	Pin \varnothing 16 mm
7	4	HF12673	Bolt M12x30 8.8 DIN933
8	1	H27297	Bracket Spraystriker 500 (HolderC250)
ns	4	H27304	Pin 92x19
ns	2	HF19324	Bolt M12x100 10.9 DIN931 ZN
11	1	H27298	Bracket Spraystriker 500 (HolderC250)



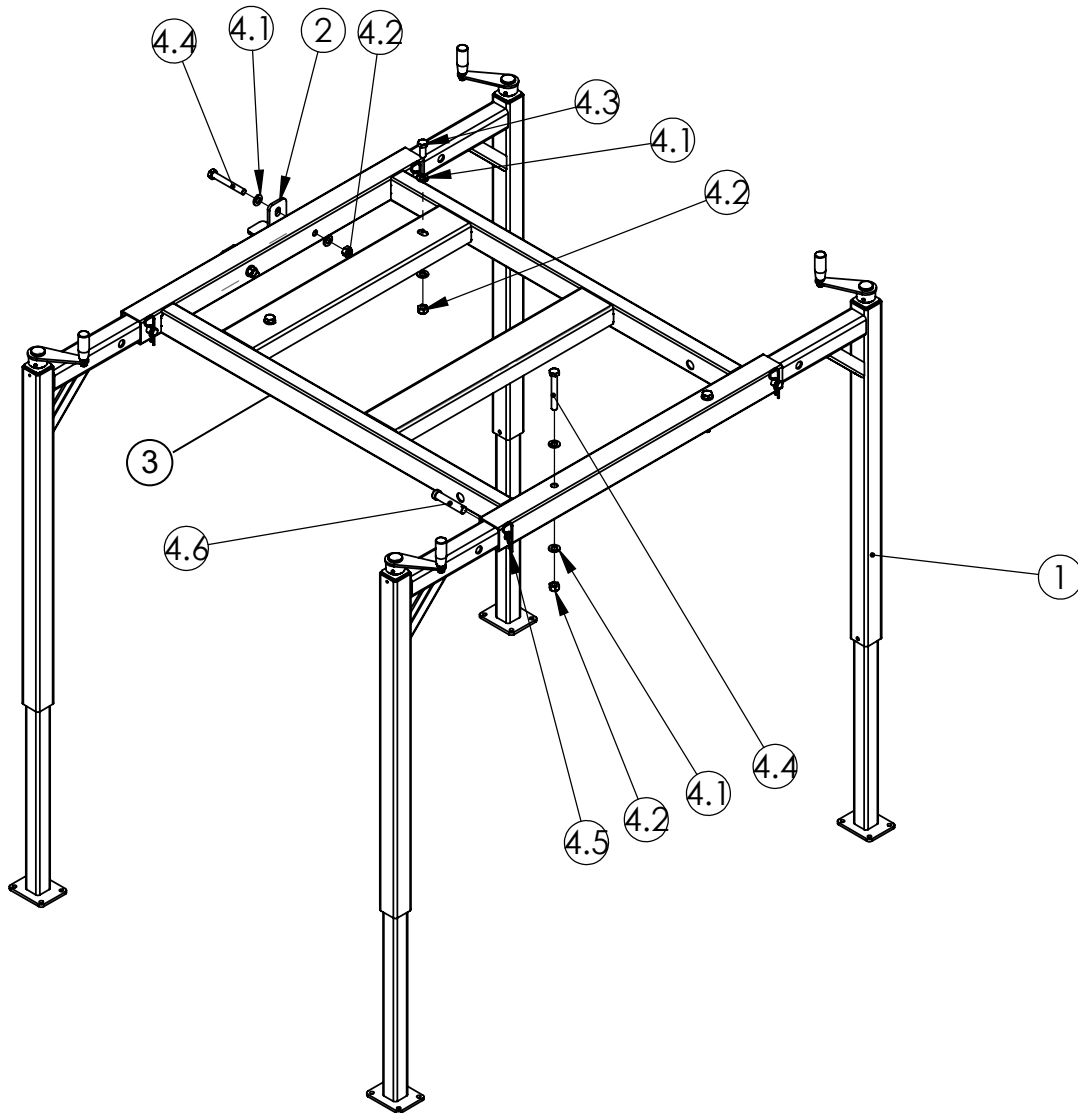
H27302 HOLDER C250 LEGSTAND & SPREADER MOUNT FRAME - ICESTRIKER 550, 750 & 600TR

Item	Qty	Part no.	Description
1	1	H27256	Spreader frame Holder C250
2	4	H26112	Legstand assembly
3	2	H27303	Bracket IceStriker 550 (Holder C250)
4	4	H22172	Pin \varnothing 16 mm
5	4	H27304	Pin 92x19
ns	16	HF10480	Washer DIN 125 M12 A4
ns	12	HF10504	Nyloc DIN 985 M12 A4
9	4	HF12673	Bolt M12x30 8.8 DIN933
10	2	H27569	Stopper plate



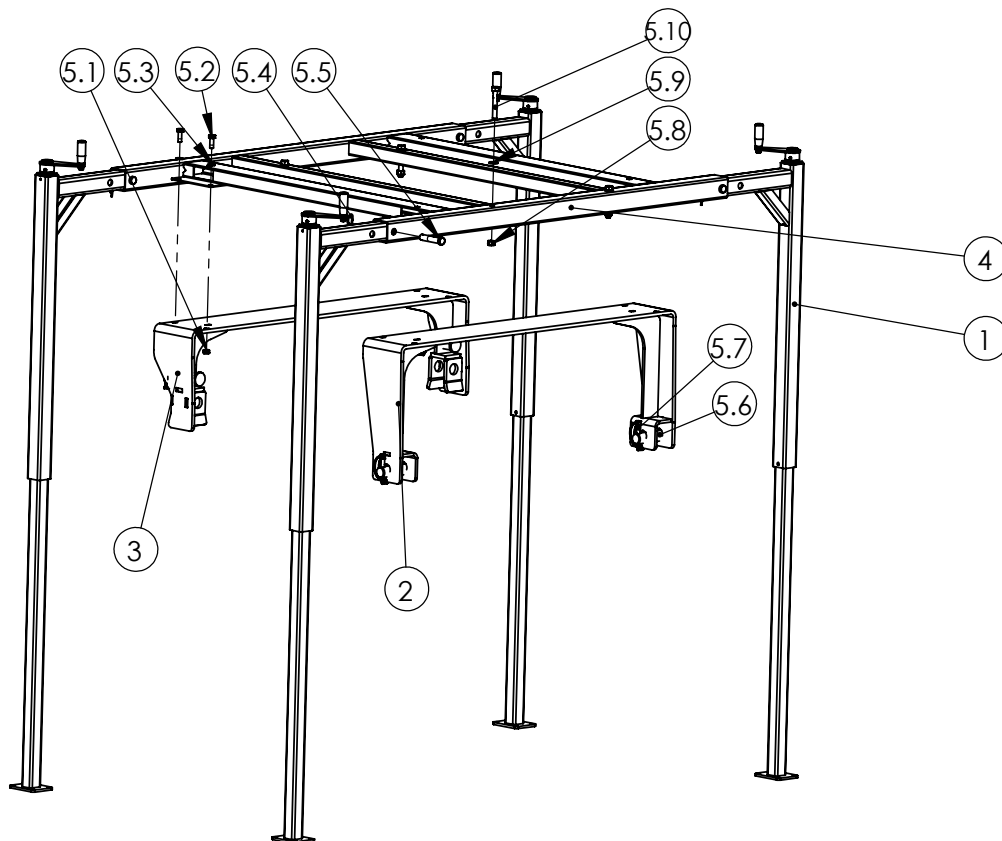
H29825 KÄRCHER BELOS MOUNT KIT & LEGSTAND - ICESTRIKER 380

Item	Qty	Part no.	Description
1	4	H26112	Legstand assembly
2	2	H29833	Fastening plate
3	1	H29826	Welded mount frame
4.1-4.6	1	H29834	Bolt kit Belos
4.1	12	HF15128	Washer DIN 125 M12
4.2	6	HF15068	Lock nut DIN 985/8 M12
4.3	2	HF12671	Bolt M12x30 8.8 DIN933
4.4	4	HF12991	Bolt M12x90 8.8 DIN931
4.5	4	HF16073	Locking pin \varnothing 3,5mm
4.6	4	H24102	Pin \varnothing 16x78 mm



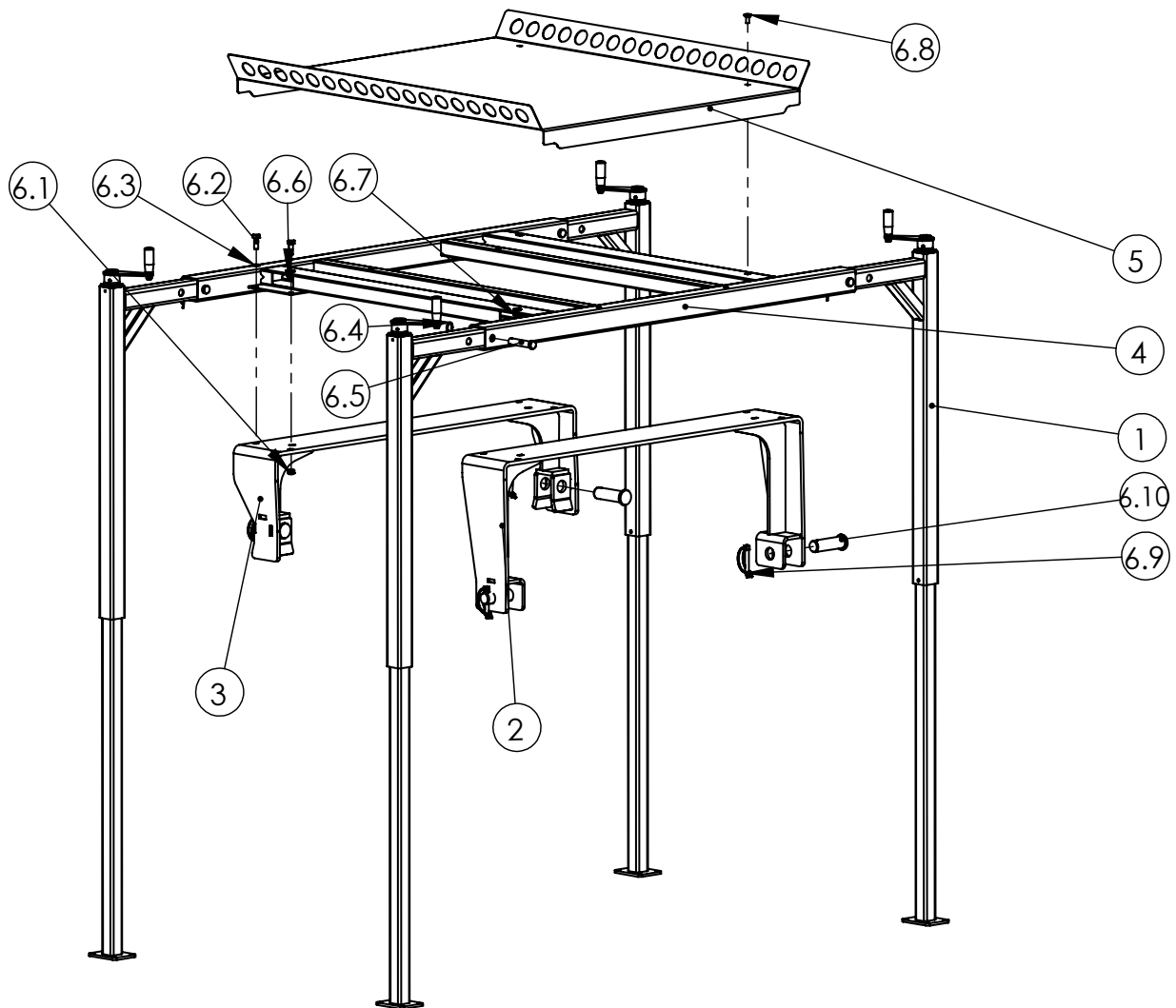
H40830 LUNDBERG 4250/4150 MOUNT FRAME - ICESTRIKER 380

Item	Qty	Part no.	Description
1	4	H29182	Legstand assembly, long model
2	1	H40832	Back support bracket
3	1	H40833	Front support bracket
4	1	H40831	Welded mount frame
5.1-5.10	1	H40846	Lundberg 4250 bolt kit 380
5.1	8	HF15064	Lock nut DIN 985 M10
5.2	8	HF12622	DIN933 8.8Zn M10x30
5.3	8	HF10479	Washer
5.4	4	HF16073	Locking pin $\varnothing 3,5\text{mm}$
5.5	4	H24102	Pin $\varnothing 16 \times 78\text{ mm}$
5.6	4	H21222	Pin 30×100
5.7	4	H23210	Pipe linch pin 10×60
5.8	4	HF15068	Lock nut DIN 985/8 M12
5.9	4	HF10480	Washer DIN 125 M12 A4
5.10	4	HF11704	Bolt DIN931 M12x80 10.9 ZN



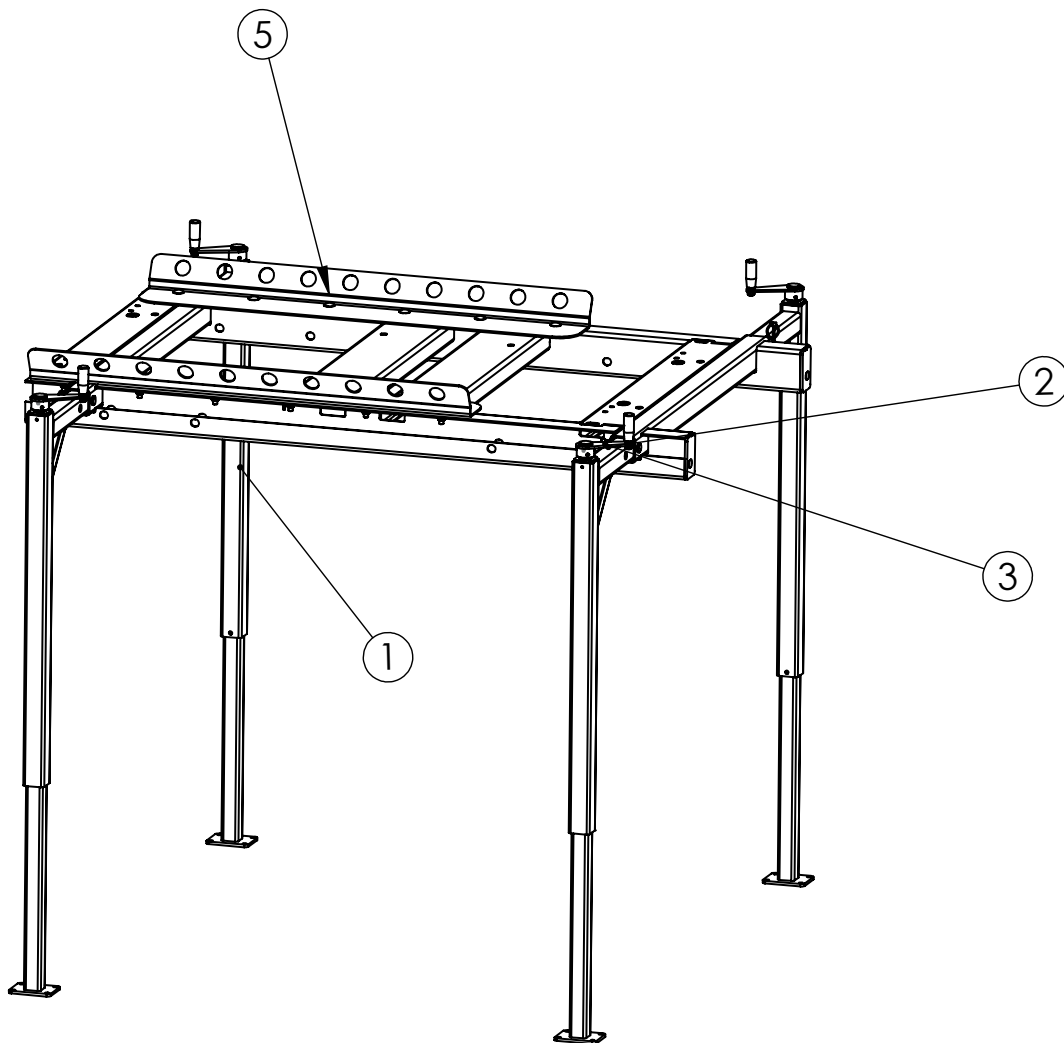
H40829 LUNDBERG 4250/4150 MOUNT FRAME - ICESTRIKER 550

Item	Qty	Part no.	Description
1	4	H29182	Legstand assembly, long model
2	1	H40832	Back support bracket
3	1	H40833	Front support bracket
4	1	H40831	Welded mount frame
5	1	H40834	Cover plate
6.1-6.10	1	H40845	Lundberg 4250 bolt kit
6.1	8	HF15064	LOCK NUT DIN 985 M10
6.2	8	HF12622	DIN933 8.8Zn M10x30
6.3	8	HF10479	Washer
6.4	4	HF16073	Locking pin \varnothing 3,5mm
6.5	4	H24102	Pin \varnothing 16x78 mm
6.6	4	HF10513	Nyloc DIN 985 M8 A4-80
6.7	4	HF15127	Washer DIN 125 M10
6.8	4	HF10935	Lockbolt DIN 603 A4 M8x20
6.9	4	H23210	Pipe linch pin 10x60
6.10	4	H21222	Pin 30x100



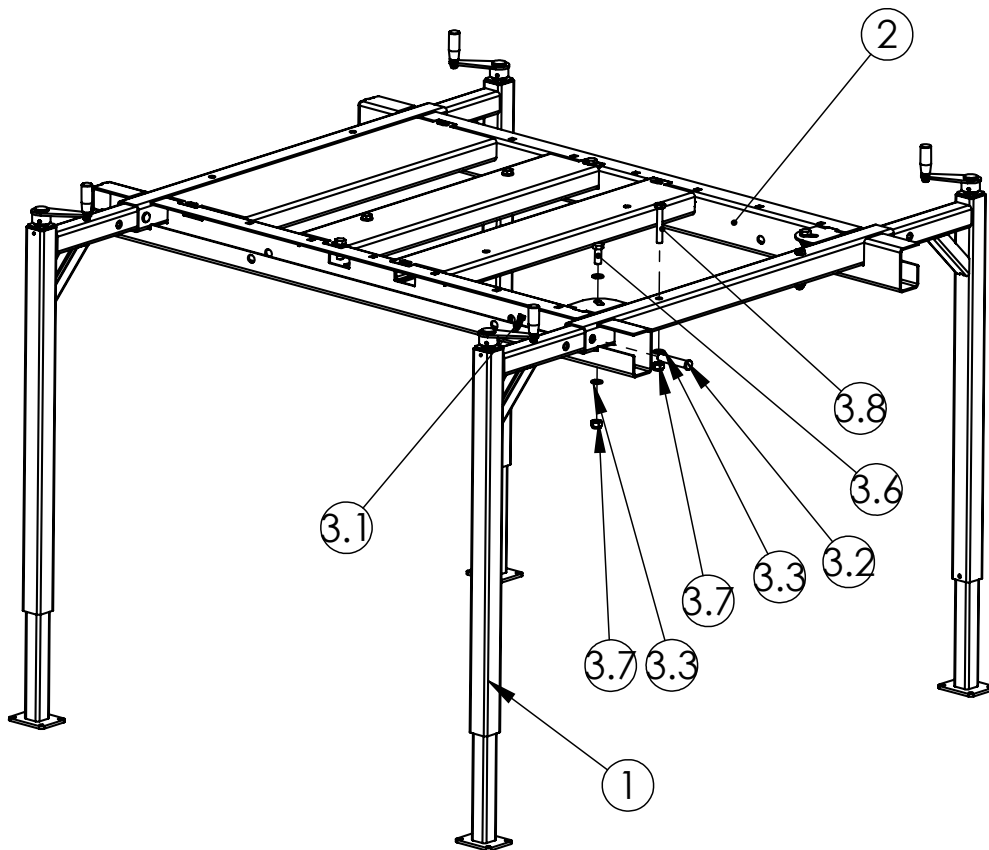
H29690 MULTIHOOG CV 350 MOUNT KIT - ICESTRIKER 380

Item	Qty	Part no.	Description
1	4	H26112	Legstand assembly
2	1	H29681	Welded mount frame
3.1-3.5	1	H29688	Multihog CV 350 Bolt kit
3.1	4	H22172	Pin \varnothing 16 mm
3.2	4	H22173	Locking pin
3.3	6	HF11704	Bolt DIN931 M12x80 10.9 ZN
3.4	6	HF15068	Lock nut DIN 985/8 M12
3.5	6	HF15128	Washer DIN 125 ZN M12



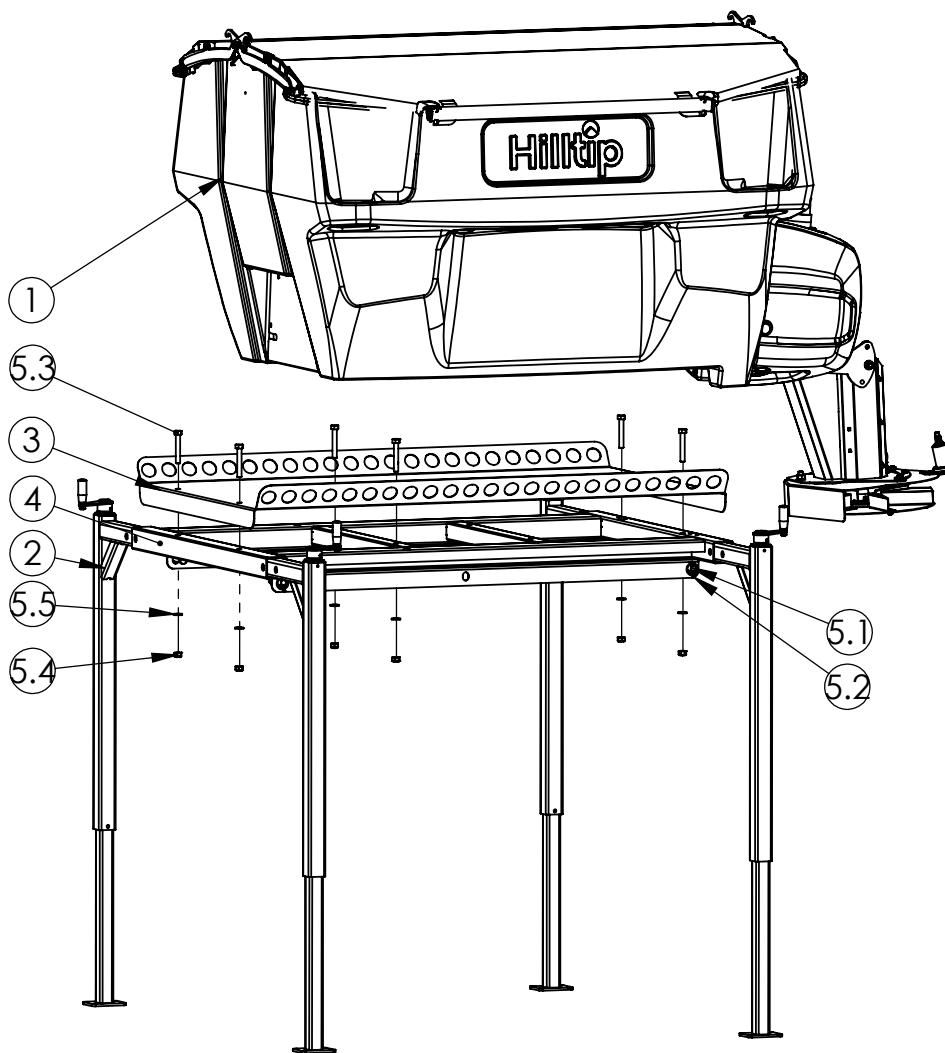
H27962 MULTIHOG LEGSTAND - ICESTRIKER 380 & SPRAYSTRIKER 500-1000

Item	Qty	Part no.	Description
1	4	H26112	Legstand assembly
2	1	H27969	Mount frame 380/500/1000 Multihog
3.1-3.8	1	H29526	Bolt kit Multihog CX 75 380/500/1000
3.1	4	H22173	Locking pin
3.2	4	H22172	Pin \varnothing 16 mm V1036
3.3	14	HF15128	Washer DIN 125 ZN M12
3.4	2	HF12673	Bolt M12x40 8.8 ZN DIN933
3.5	2	HF10504	Nyloc DIN 985 M12 A4
3.6	4	HF14090	KUUSIOR.961/10.9 ZNM14x1,5x35
3.7	6	HF15072	Lock nut DIN 985 M14 ZN
3.8	2	HF12991	Bolt M12x90 8.8 DIN931



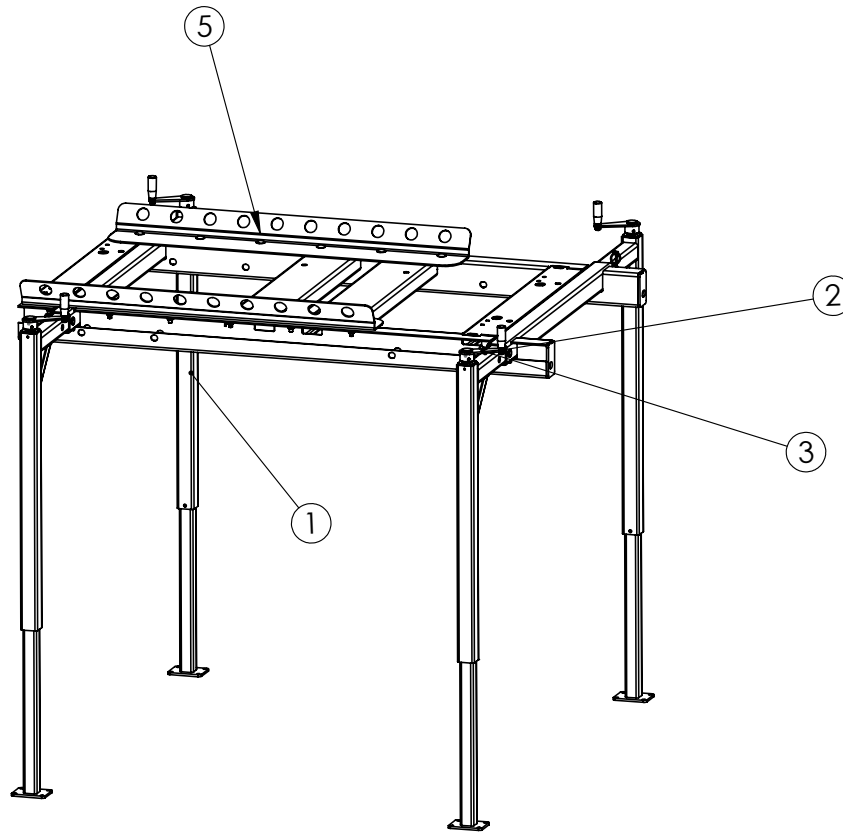
H29689 MULTIHOG CV 350 MOUNT KIT - ICESTRIKER 550

Item	Qty	Part no.	Description
1	1		550 Spreader
2	4	H26112	Legstand assembly
3	1	H29687	Cover plate
4	1	H29681	Welded mount frame
5.1-5.5	1	H29688	Multihog CV 350 Bolt kit
5.1	4	H22172	Pin $\varnothing 16$ mm
5.2	4	H22173	Locking pin
5.3	6	HF11704	Bolt DIN931 M12x80 10.9 ZN
5.4	6	HF15068	Lock nut DIN 985/8 M12
5.5	6	HF15128	Washer DIN 125 M12



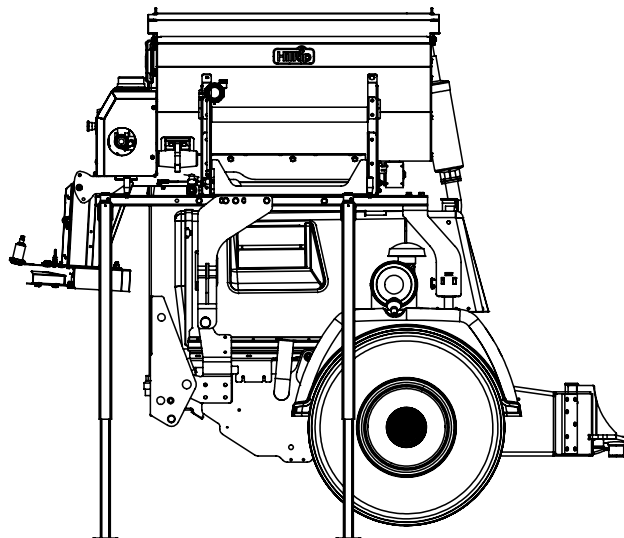
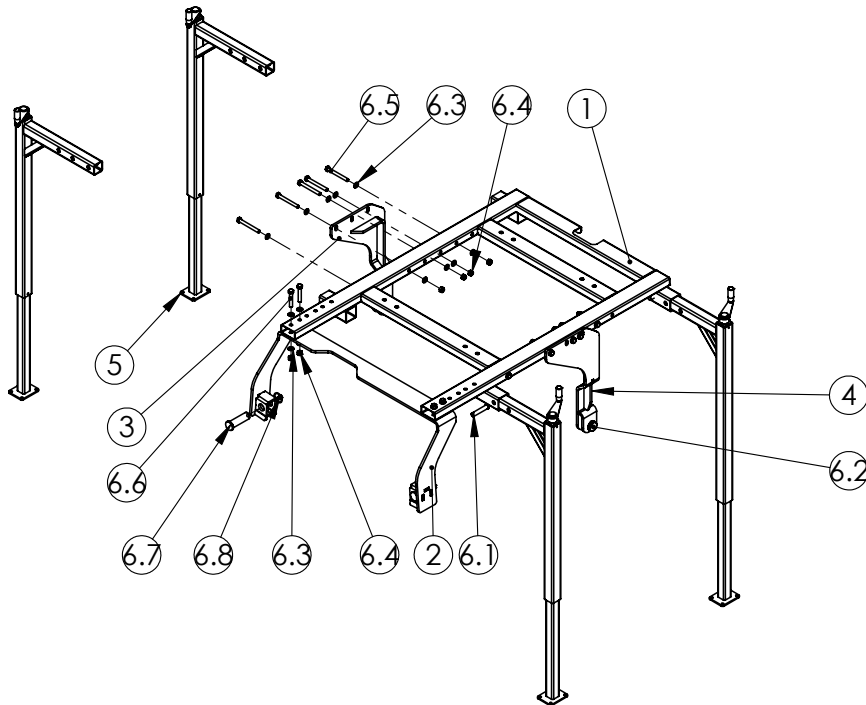
H27960 MULTIHOG CX75 MOUNT FRAME - ICESTRIKER 550

Item	Qty	Part no.	Description
1	4	H26112	Legstand assembly
2	4	H22172	Pin $\varnothing 16$ mm V1036
3	4	H22173	Locking pin
5	1	H27970	Mount frame 550 without Legstand



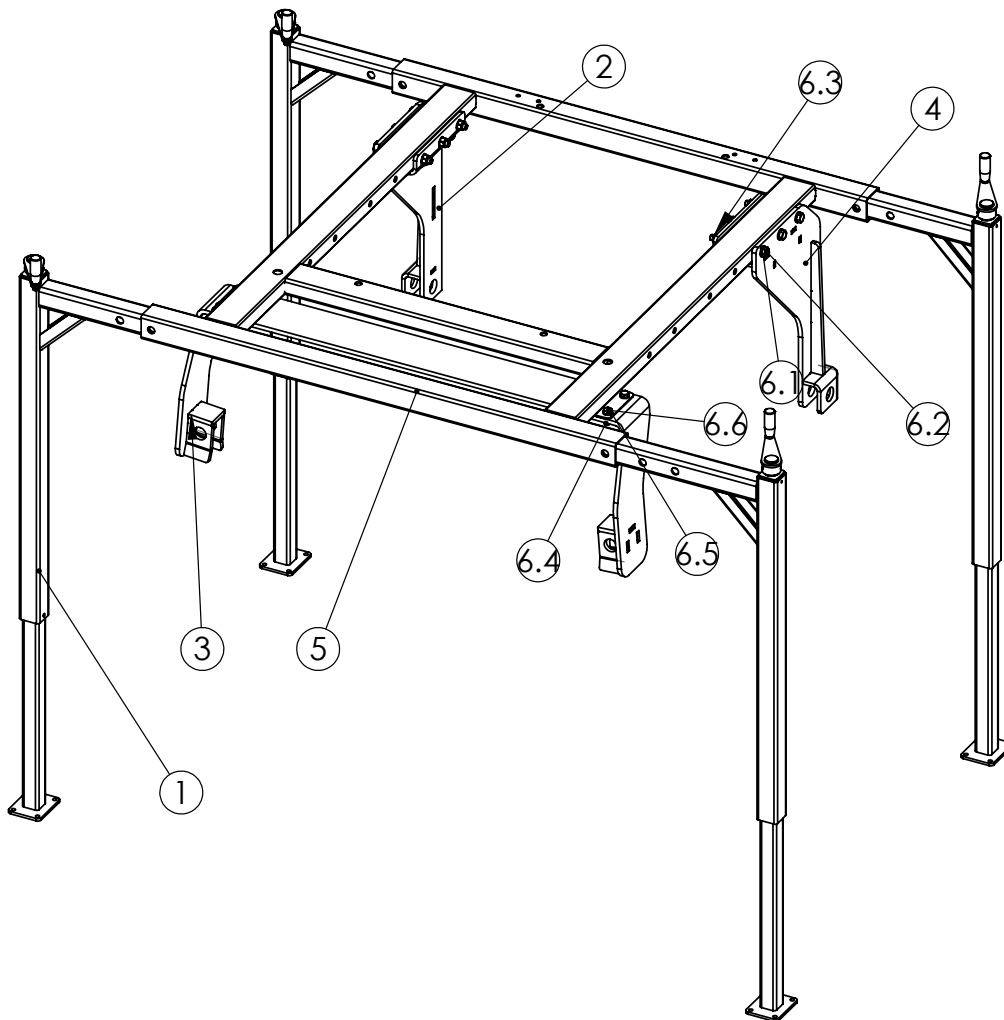
H26659 WILLE 265/345/365/375 LEGSTAND - ICESTRIKER 380

Item	Qty	Part no.	Description
1	1	H27287	Mount Frame
ns	2	H27288	Beam
2	1	H27343	Front bracket
3	1	H26614	Bracket aft right
4	1	H26617	Bracket aft left
5	4	H26112	Legstand assembly
6.1-6.8	1	H28672	Bolt kit Wille 365 bolt kit
6.1	4	H22172	Pin \varnothing 16 mm
6.2	2	H26661	Lock pin
6.3	28	HF15128	Washer DIN 125 M12
6.4	14	HF10504	Nyloc DIN 985 M12 A4
6.5	10	HF12415	Bolt M12x110 8.8 DIN931ZN
6.6	4	HF12433	Bolt M12x70 8.8 DIN931ZN
6.7	2	H21222	Pin 30x100
6.8	4	H25381	Linch pin 8mm



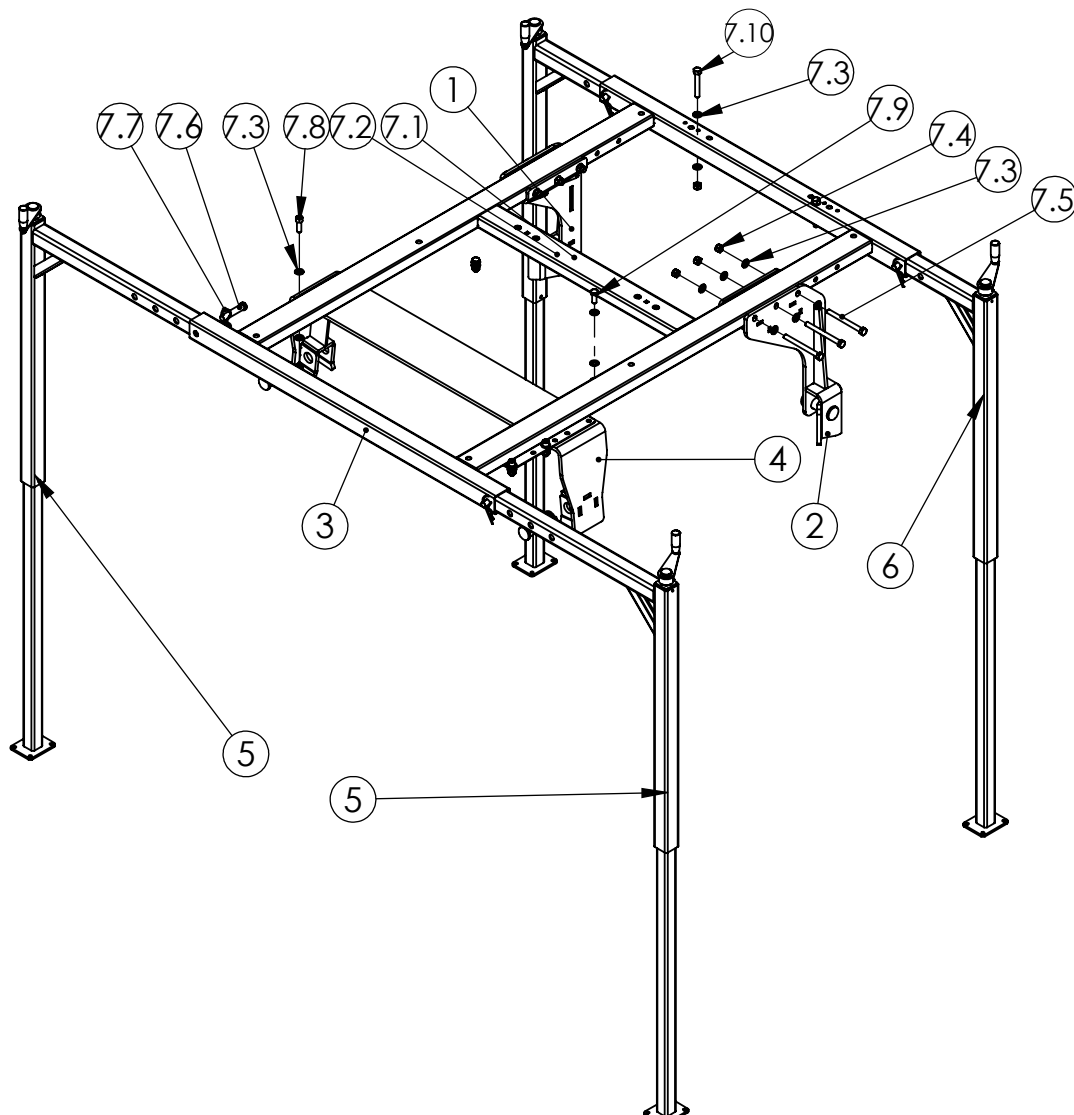
H29552 WILLE 475 - ICESTRIKER 380 & SPRAYSTRIKER 500

Item	Qty	Part no.	Description
1	4	H26112	Legstand assembly
2	1	H29546	Rear holder right
3	1	H29544	Mount support bracket
4	1	H29550	Rear holder Left
5	1	H29540	Welded mount frame
6.1-6.6	1	H29553	Bolt kit 475 for IceStriker 380/SprayStriker 500
6.1	14	HF10480	Washer DIN 125 M12 A4
6.2	8	HF19417	Bolt DIN931 A2 M12x130
6.3	6	HF15057	Lock nut DIN 985/10 M12
6.4	4	HF15064	Lock nut DIN 985 M10
6.5	4	HF10479	Washer DIN 125 M10 Washer
6.6	4	HF12622	DIN933 8.8Zn M10x30



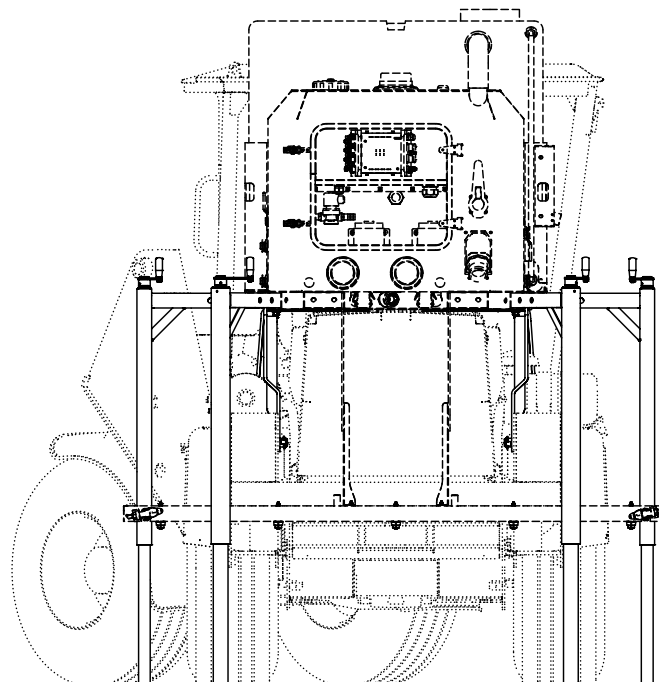
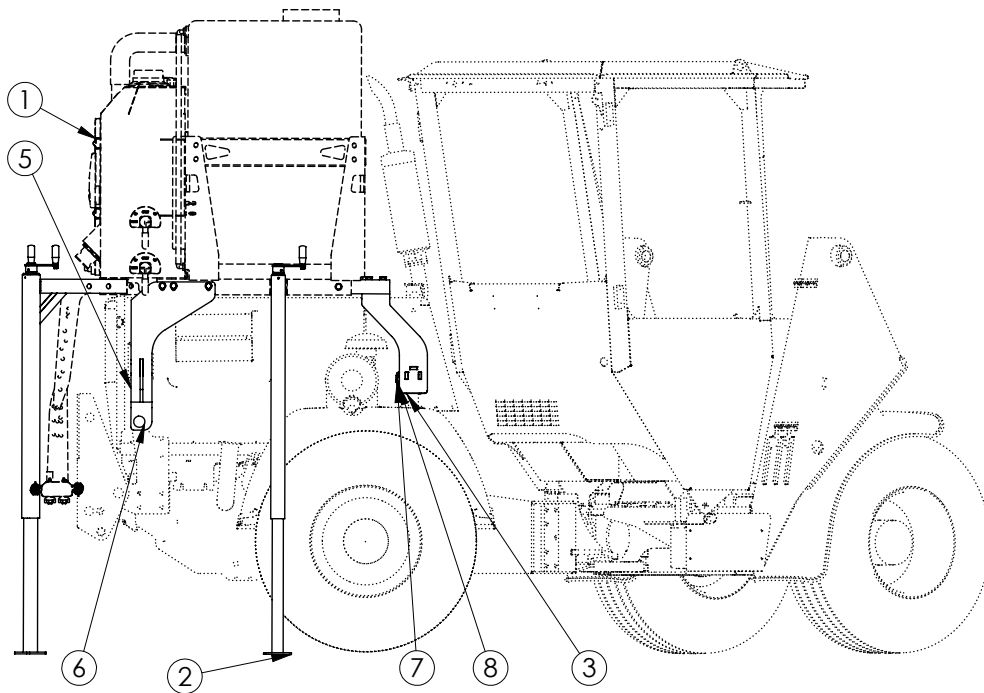
H29090 WILLE 865 MOUNT KIT - ICESTRIKER 380 & SPRAYSTRIKER 500-1000

Item	Qty	Part no.	Description
1	1	H29217	Rear holder right
2	1	H29215	Rear holder Left
3	1	H29211	Wille 865 Weld assembly
4	1	H29092	Mount support bracket
5	2	H29177	Legstand assembly wide model
6	2	H29182	Legstand assembly long model
7.1-1.10	1	H29522	Wille 865 Bolt kit
7.1	4	H25381	Linch pin 8mm
7.2	4	H21222	Pin 30x100
7.3	28	HF15128	Washer DIN 125 M12
7.4	14	HF15068	Lock nut DIN 985/8 M12
7.5	6	HF12417	Bolt M12x130 8.8 DIN931 ZN
7.6	4	H24102	Pin \varnothing 16x78 mm
7.7	4	HF16073	Locking pin \varnothing 3,5mm
7.8	4	HF10391	Hexagon socket head bolt
7.9	2	HF10687	Din 933 M12x30 A4
7.10	2	HF11704	Bolt DIN931 M12x80 10.9 ZN



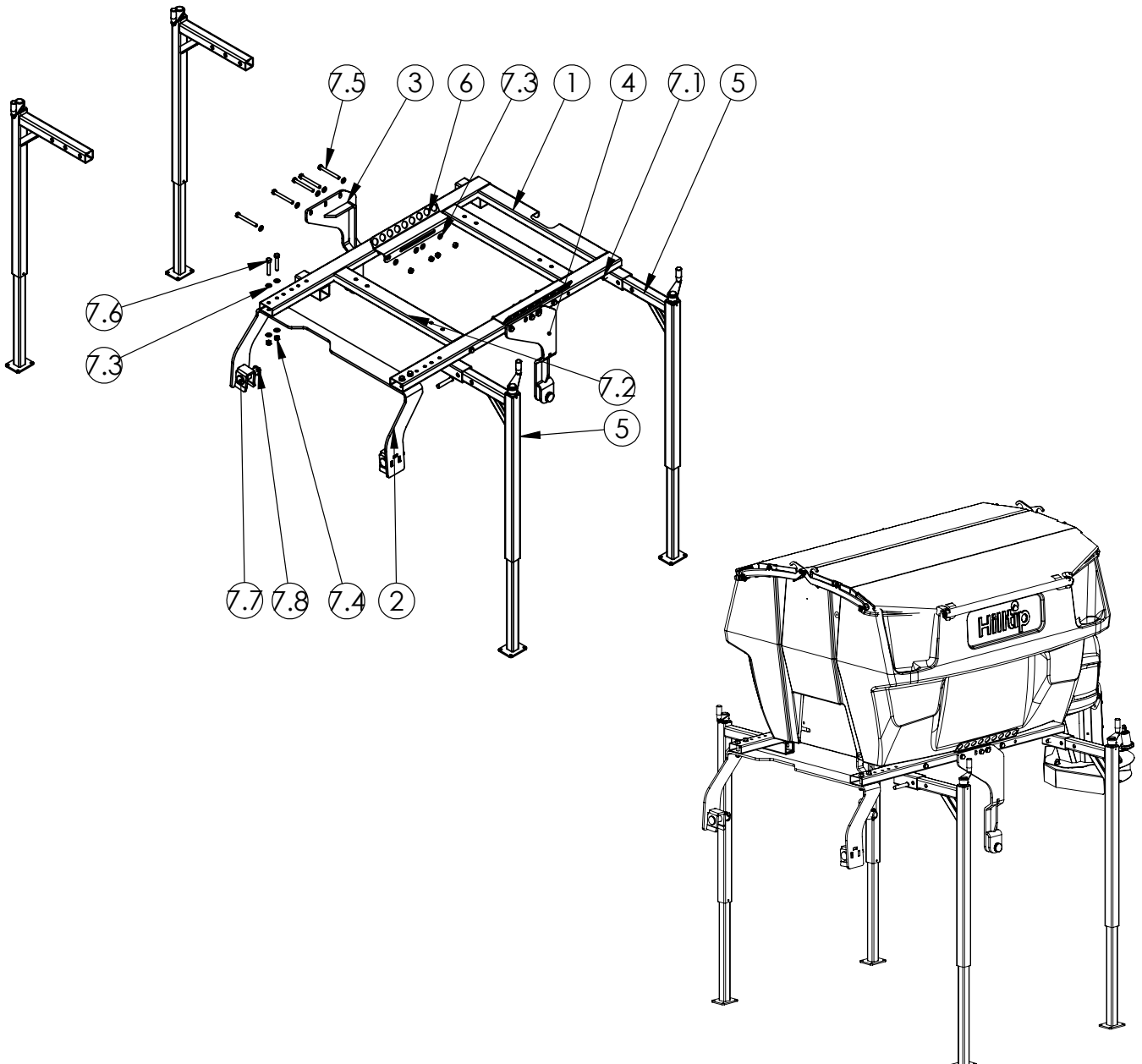
H26609 WILLE 265 - SPRAYSTRIKER 500 INSTALLATION

Item	Qty	Part no.	Description
1	1	H25019	SprayStriker 500
2	4	H26112	Legstand assembly
3	1	H26610	Bracket FWD
ns	1	H26617	Bracket aft left
5	1	H26614	Bracket aft right
6	2	H26661	Lock pin D40 - 78
7	2	HF19395	DIN 933 M30x90
8	2	HF15088	Lock nut DIN 985 8.8Zn M30
ns	2	H22113	IKH Part No. T0433



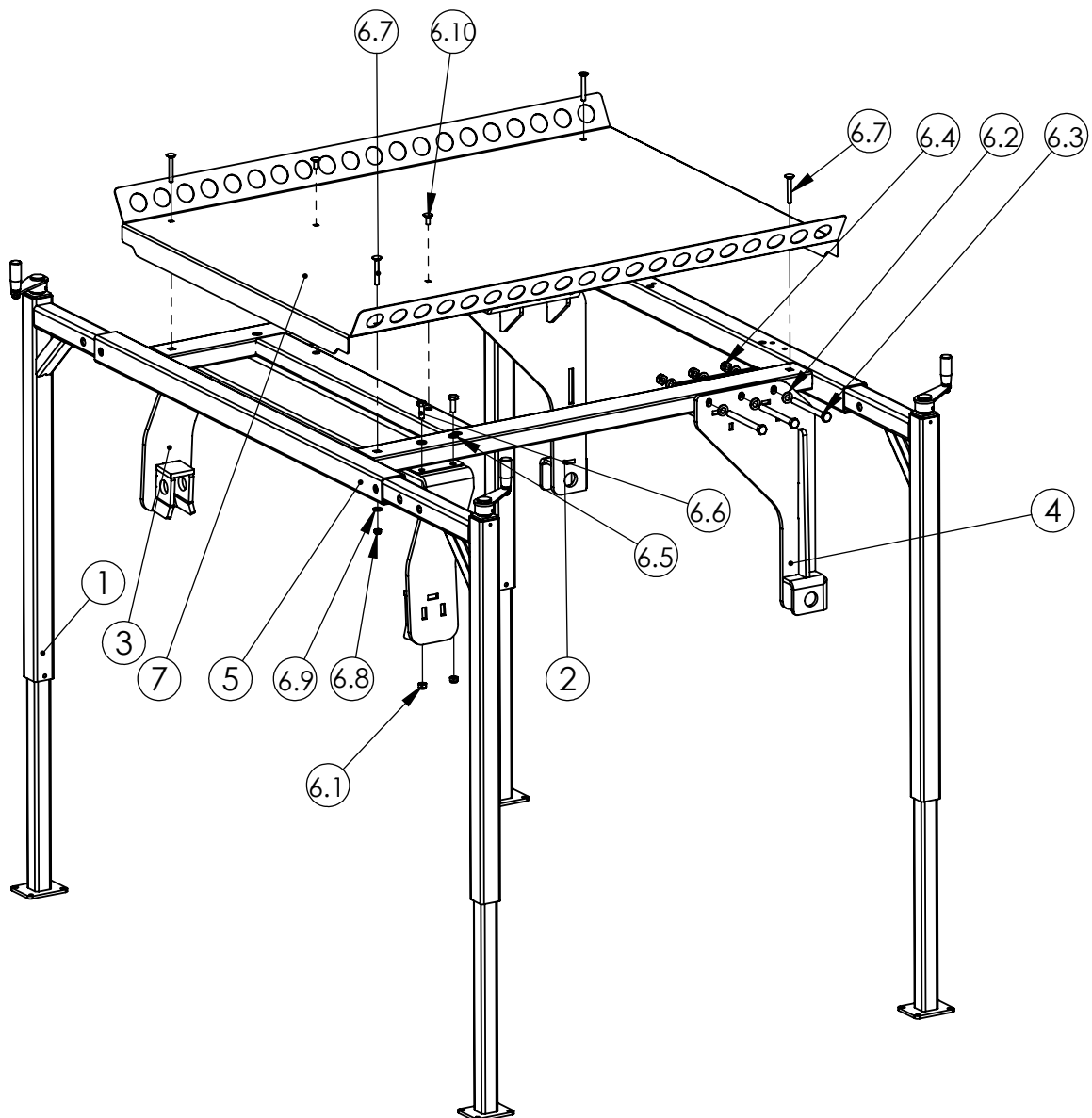
H28444 WILLE 265/345/365/375 LEGSTAND - ICESTRIKER 550

Item	Qty	Part no.	Description
1	1	H27287	Mount Frame
2	1	H27343	Front bracket
3	1	H26614	Bracket aft right
4	1	H26617	Bracket aft left
5	4	H26112	Legstand assembly
6	2	H27291	Plate
7.1-7.8	1	H28672	Bolt kit Wille 365 bolt kit
7.1	4	H22172	Pin \varnothing 16 mm
7.2	2	H26661	Lock pin D40 - 78
7.3	28	HF15128	Washer DIN 125 M12
7.4	14	HF10504	Nyloc DIN 985 M12 A4
7.5	10	HF12415	Bolt M12x110 8.8 DIN931 ZN
7.6	4	HF12433	Bolt M12x70 8.8 DIN931 ZN
7.7	2	H21222	Pin 30x100
7.8	4	H25381	Linch pin 8mm



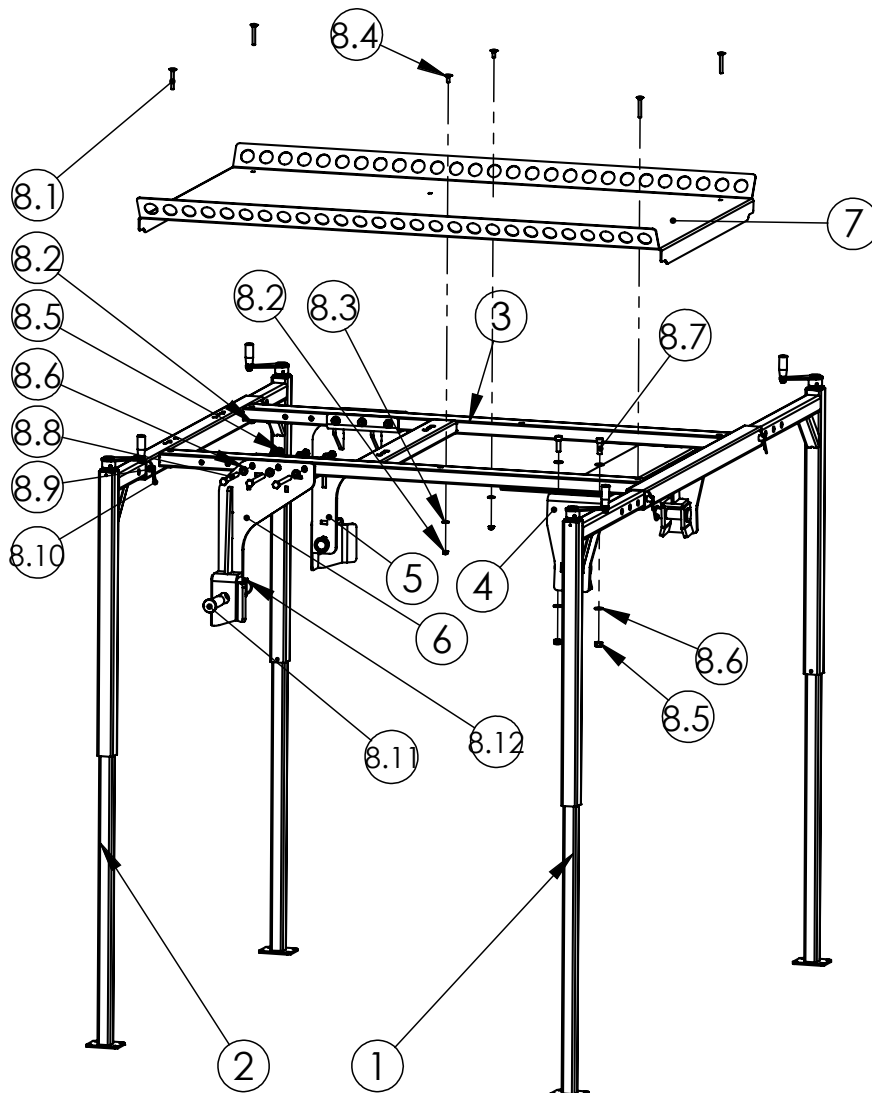
H29538 WILLE 475 - ICESTRIKER 550

Item	Qty	Part no.	Description
1	4	H26112	Legstand assembly
2	1	H29546	Rear holder right
3	1	H29544	Mount support bracket
4	1	H29550	Rear holder Left
5	1	H29540	Welded mount frame
6.1-6.9	1	H29553	Bolt kit 475 for 500 spreader
6.1	4	HF15064	Lock nut DIN 985 M10
6.10	2	HF10935	Lockbolt DIN 603 A4 M8x20
6.2	12	HF10480	Washer DIN 125 M12 A4
6.3	6	HF19417	Bolt DIN931 A2 M12x130
6.4	6	HF15057	Lock nut DIN 985/10 M12
6.5	4	HF10479	Washer
6.6	4	HF12622	DIN933 8.8Zn M10x30
6.7	4	HF10940	Lockbolt M8x60 A4 ISO 8677
6.8	6	HF10513	Nyloc DIN 985 M8 A4-80
6.9	6	HF15127	Washer DIN 125 M10
7	1	H29527	Cover plate 475



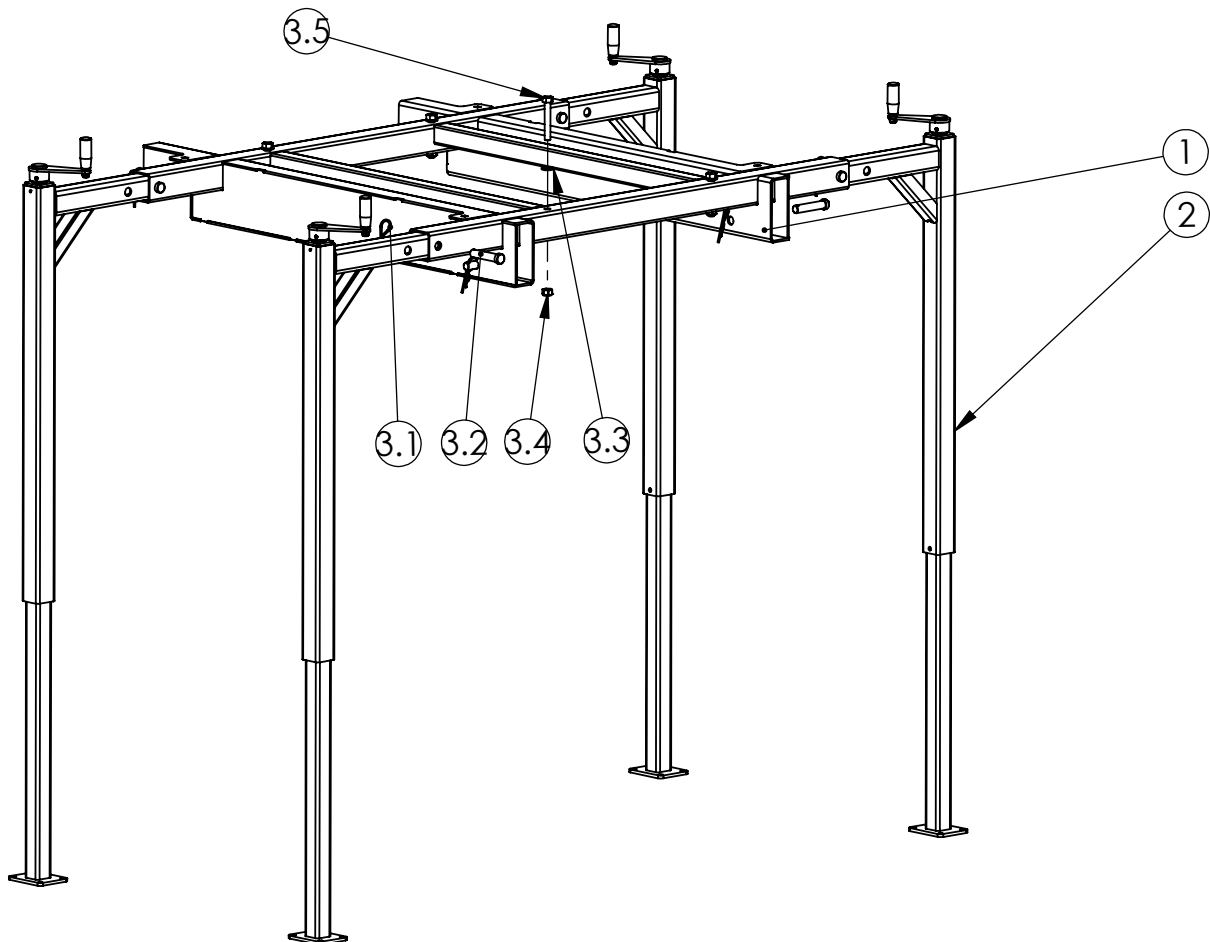
H29168 WILLE 865 MOUNT KIT - ICESTRIKER 550-850

Item	Qty	Part no.	Description
1	2	H29177	Legstand assembly wide model
2	2	H29182	Legstand assembly Long model
3	1	H29211	Wille 865 Weld assembly
4	1	H29092	Mount support bracket
5	1	H29215	Rear holder Left
6	1	H29217	Rear holder right
7	1	H29555	Cover plate
8.1-8.12	1	H29374	Wille 865 with cover plate Bolt kit
8.1	4	HF10940	Lockbolt M8x60 A4 ISO 8677
8.2	6	HF10513	Nyloc DIN 985 M8A4-80
8.3	6	HF15127	Washer DIN 125 M10
8.4	2	HF10935	Lockbolt DIN 603 A4 M8x20
8.5	10	HF15068	Lock nut DIN 985/8 M12
8.6	20	HF15128	Washer DIN 125 M12
8.7	4	HF10391	Hexagon socket head bolt
8.8	6	HF12417	Bolt M12x130 8.8 DIN931 ZN
8.9	4	H24102	Pin \varnothing 16x78 mm
8.10	4	HF16073	Locking pin \varnothing 3,5mm
8.11	4	H21222	Pin 30x100
8.12	4	H25381	Linch pin 8mm



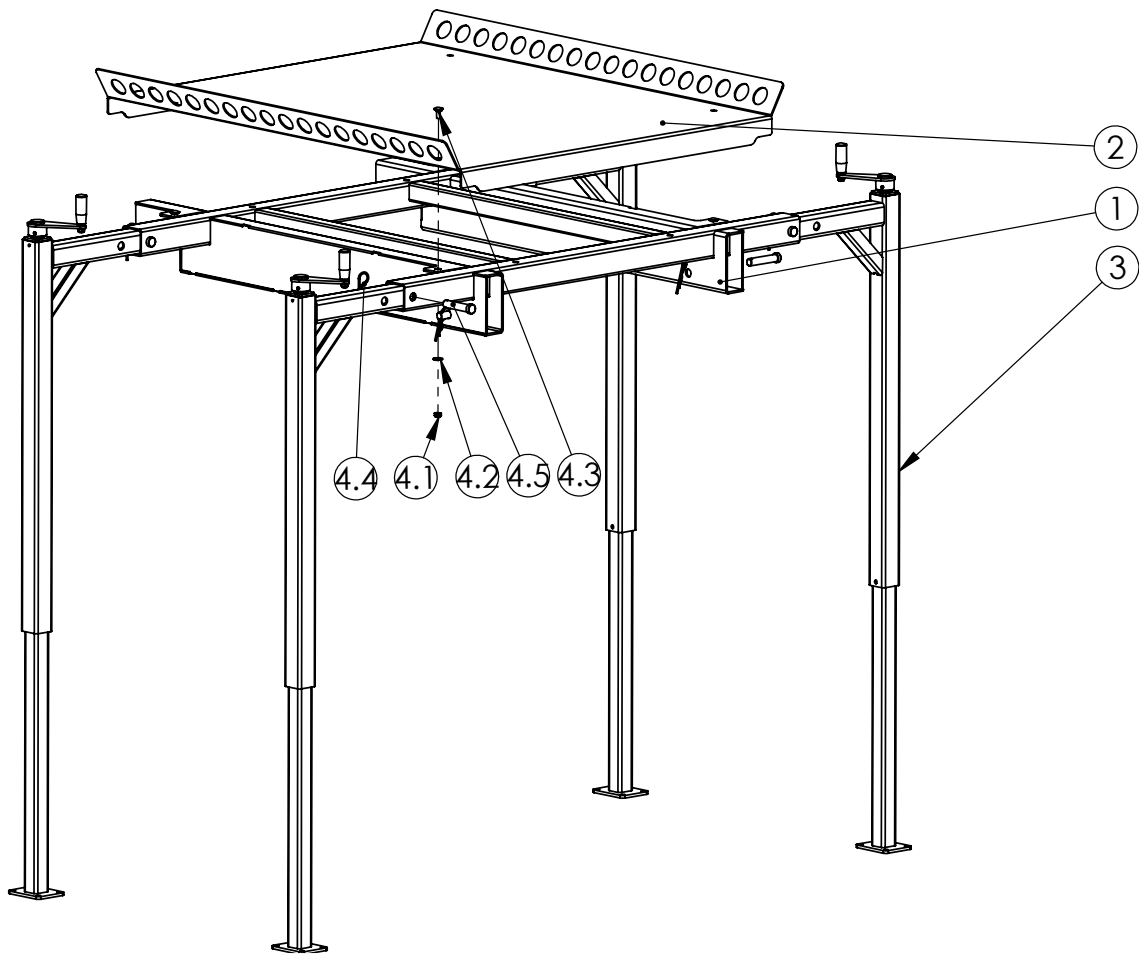
H40828 VITRA C3.75 MOUNT FRAME FOR - ICESTRIKER 380

Item	Qty	Part no.	Description
1	1	H40819	Welded mount frame
2	4	H26112	Legstand assembly
3.1-3.5	1	H40847	Bolt kit Vitra C3.75 for IceStriker 380
3.1	6	HF16073	Locking pin $\varnothing 3,5\text{mm}$
3.2	6	H24102	Pin $\varnothing 16 \times 78\text{ mm}$
3.3	4	HF10480	Washer DIN 125 M12 A4
3.4	4	HF15068	Lock nut DIN 985/8 M12
3.5	4	HF11704	Bolt DIN931 M12x80 10.9 ZN



H40818 VITRA C3.75 MOUNT FRAME - ICESTRIKER 550

Item	Qty	Part no.	Description
1	1	H40819	Welded mount frame
2	1	H40826	Cover plate
3	4	H26112	Legstand assembly
4.1-4.5	1	H40827	Bolt kit Vitra C3.75 for IceStriker 550
4.1	4	HF10513	Nyloc DIN 985 M8 A4-80
4.2	4	HF15127	Washer DIN 125 M10
4.3	4	HF10935	Lockbolt DIN 603 A4 M8x20
4.4	6	HF16073	Locking pin $\varnothing 3,5\text{mm}$ V431A
4.5	6	H24102	Pin $\varnothing 16 \times 78$ mm





Oy HillTip Ab

Pukkisaarentie 6

FIN-68600 Pietarsaari

Finland

+358 50 5983 026

+358 50 3659 415

www.hilltip.com

info@hilltip.com

Construction, specifications and other details are subject to change without notice.