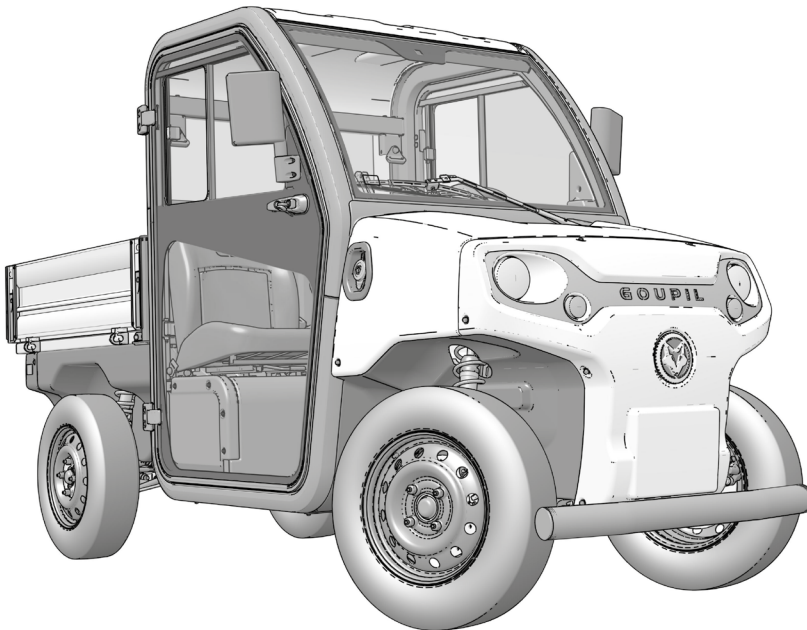


# Spare Parts Manual

G2 - 7476001-03

# G2 MY21



**1720010-02**  
***Spare Parts Manual***



Read the Operator's manual entirely.  
When you see this symbol, the subsequent instructions and warnings are serious - follow without exception. Your life and the lives of others depend on it !

© Copyright 2023 Printed 04/01/2023

*Cover photo may show optional equipment not supplied with standard unit.*



SOFTWARE / DOCUMENTATION.....	<b>4</b>
CHASSIS, FRONT FRAME.....	<b>6</b>
CHASSIS, REAR FRAME.....	<b>8</b>
BODY, CAB, BODYWORK, WINDSCREEN.....	<b>10</b>
BODY, CAB, PASSENGER COMPARTMENT.....	<b>12</b>
BODY, BODYWORK.....	<b>14</b>
BODY, DECALS, SPARE FUSES, SPARE RIVETS, TOWING RING.....	<b>16</b>
BRAKES, FRONT BRAKES.....	<b>18</b>
BRAKES, REAR BRAKES.....	<b>20</b>
DRIVETRAIN, GEARBOX DIFFERENTIAL.....	<b>22</b>
ELECTRICAL, LIGHTS.....	<b>24</b>
ELECTRICAL, DASH INSTRUMENT.....	<b>26</b>
ELECTRICAL, ELECTRIC MOTOR, CONTROLLER BOX.....	<b>28</b>
ELECTRICAL, AC MOTOR.....	<b>30</b>
ELECTRICAL, HARNESS, FUSE, RELAYS.....	<b>32</b>
STEERING, STEERING ASM.....	<b>34</b>
SUSPENSION, FRONT LH SUSPENSION.....	<b>36</b>
SUSPENSION, FRONT RH SUSPENSION.....	<b>38</b>
SUSPENSION, REAR LH SUSPENSION.....	<b>40</b>
SUSPENSION, REAR RH SUSPENSION.....	<b>42</b>
WHEELS.....	<b>44</b>
OPTION, LEAD ACID BATTERY, 5.7KW.....	<b>48</b>
OPTION, LITHIUM BATTERY, 5.2KW.....	<b>52</b>
OPTION, LITHIUM BATTERY, 8.6KW.....	<b>54</b>
OPTION, LH DOOR.....	<b>56</b>
OPTION, RH DOOR.....	<b>58</b>
OPTION, TOW HOOK.....	<b>60</b>
OPTION, BLUETOOTH SPEAKER.....	<b>62</b>

© Copyright 2023. All rights reserved.

Goupil Industrie provides this publication "as is" without warranty of any kind, either expressed or implied. While every precaution has been taken in the preparation of this manual, Goupil Industrie assumes no responsibility for errors or omissions. Neither is any liability assumed for damages resulting from the use of the information contained herein. Goupil Industrie reserves the right to revise and improve its products as it sees fit. This publication describes the state of this product at the time of its publication, and may not reflect the product in the future. The illustrations in this manual are not intended for safe and proper assembly or disassembly of equipment. The illustrations are intended for ordering parts only.

Goupil Industrie is registered trademark.

All other brands and product names are trademarks or registered trademarks of their respective holders.

Printed in France, Europe.



OPTION, BUZZER.....	<b>64</b>
OPTION, ELECTRIC HEATER.....	<b>66</b>
OPTION, LOW PRESSURE WHEELS.....	<b>68</b>
OPTION, ROOF BAR, MEN AT WORK TRIANGLE (AK5), 2 FLASHLIGHTS.....	<b>70</b>
OPTION, WINTER TIRES.....	<b>72</b>
OPTION, CLASS 2 REFLECTIVE BANDS.....	<b>74</b>
OPTION, SPARE WHEEL.....	<b>76</b>
OPTION, ELECTRICAL EXTENSION 5M.....	<b>78</b>
OPTION, JACK AND CRANK.....	<b>80</b>
OPTION, VAN.....	<b>82</b>
OPTION, RIGHT SHUTTER.....	<b>86</b>
OPTION, LEFT SHUTTER.....	<b>90</b>
OPTION, REAR SHUTTER.....	<b>94</b>
OPTION, DROPSIDE PICKUP.....	<b>98</b>
OPTION, FRONT UPPER CAGE, TOOLHOLDER.....	<b>100</b>
OPTION, LATERAL DOORLESS KIT.....	<b>102</b>
OPTION, FRONT CROSS BOARD.....	<b>104</b>
OPTION, DEPORTED LEFT FLASHLIGHT.....	<b>106</b>
OPTION, BULL BAR.....	<b>108</b>
OPTION, SIDE METAL CAGE.....	<b>110</b>
OPTION, MUDGUARD.....	<b>112</b>
OPTION, HEADREST.....	<b>114</b>
OPTION, LH INDUSTRY DOOR.....	<b>116</b>
OPTION, RH INDUSTRY DOOR.....	<b>118</b>
OPTION, MANUALLY OPERATED TIPPER.....	<b>120</b>
OPTION, MANUALLY OPERATED TIPPER.....	<b>124</b>

## Applies to 7456001-03

## CONTROLLER PARAMETERS

DL	Part No.	Qty	Part Description	Notes
↓	1400201	1	CONTROLLER PARAMETER SETTINGS	

## CHARGER PARAMETERS (LITHIUM E4V)

DL	Part No.	Qty	Part Description	Notes
↓	1410204	1	CHARGER PARAMETER	100 AH – 5.2 KW
↓	1410204	1	CHARGER PARAMETER	180 AH – 8.6 KW

## CHARGER PARAMETERS (LEAD ACID)

DL	Part No.	Qty	Part Description	Notes
↓	1410202	1	CHARGER PARAMETER	120 AH – 5.7 KW

## DISPLAY PARAMETERS

DL	Part No.	Qty	Part Description	Notes
↓	1460201	1	DISPLAY PARAMETER	

## OPERATOR AND SAFETY MANUAL

DL	Part No.	Qty	Part Description	Notes
↓	1700106-01EN	1	OPERATOR AND SAFETY MANUAL	EN
↓	1700106-01FR	1	OPERATOR AND SAFETY MANUAL	FR

## SERVICE MANUAL

DL	Part No.	Qty	Part Description	Notes
↓	1700116EN	1	SERVICE MANUAL	EN

## Applies to 7456001-03

## WIRING DIAGRAM

DL	Part No.	Qty	Part Description	Notes
↓	1100259	1	WIRING DIAGRAM	

## HARNESS DIAGRAM

DL	Part No.	Qty	Part Description	Notes
↓	6207489	1	MAIN HARNESS DIAGRAM	

Note : Only generics controller parameter settings are shown. For a special enquiry, please contact our aftersales service.

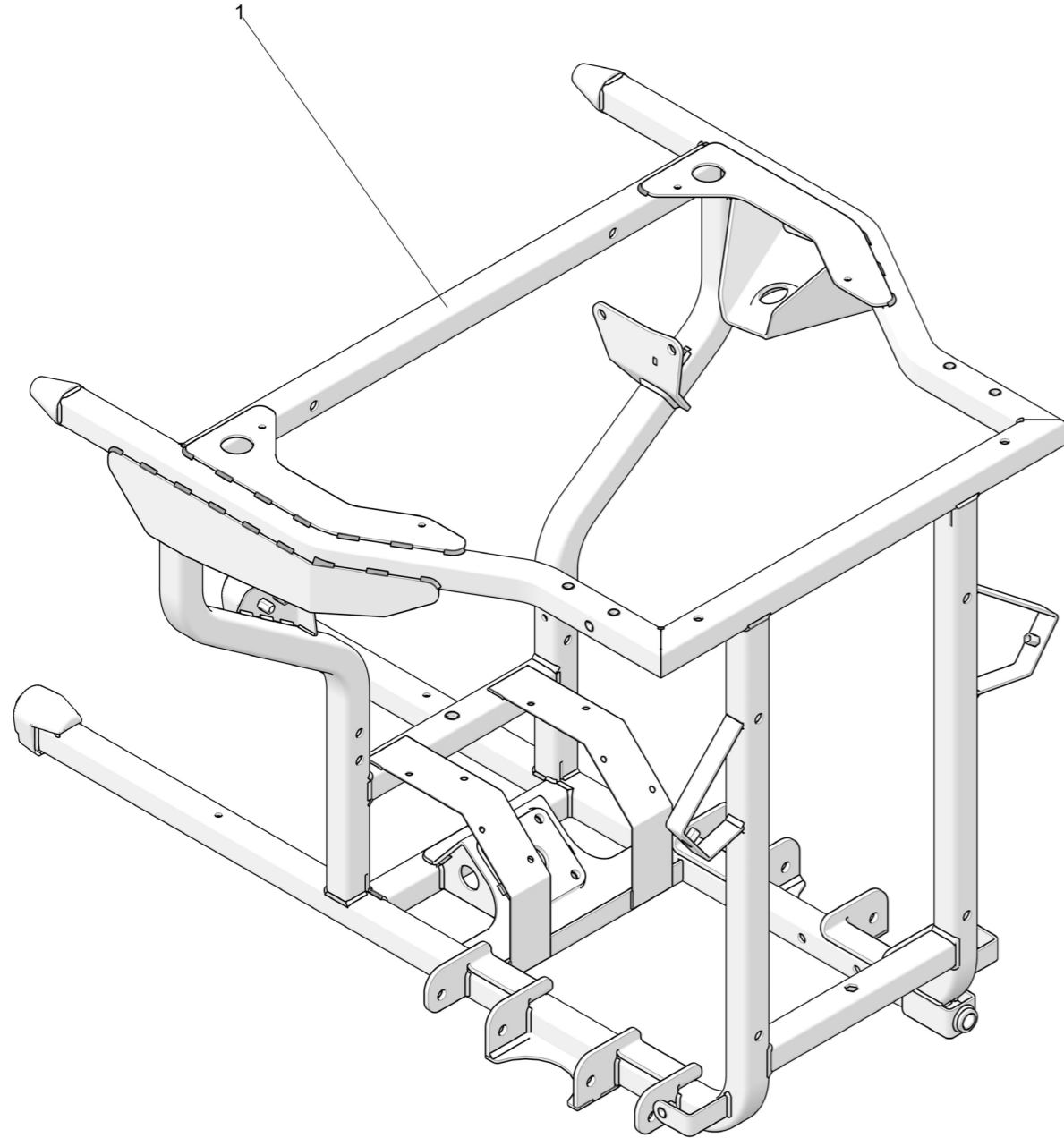
Always check the original controller parameter settings installed on the vehicle before flashing it. Do never use a different setting than the original. Goupil is not responsible for improper use of a controller parameter setting. Use it at your own risks.

Note : Seuls les paramètres standards sont représentés. Pour une requête spéciale, merci de contacter le service après vente.

Toujours vérifier le paramètre installé d'origine sur le véhicule avant de le flasher. Ne jamais utiliser un paramètre différent que l'original. Goupil n'est pas responsable de la mauvaise utilisation d'un paramètre. Utilisez le à vos risques et périls.

CHASSIS, FRONT FRAME

Applies to 7456001-03 [7200176]



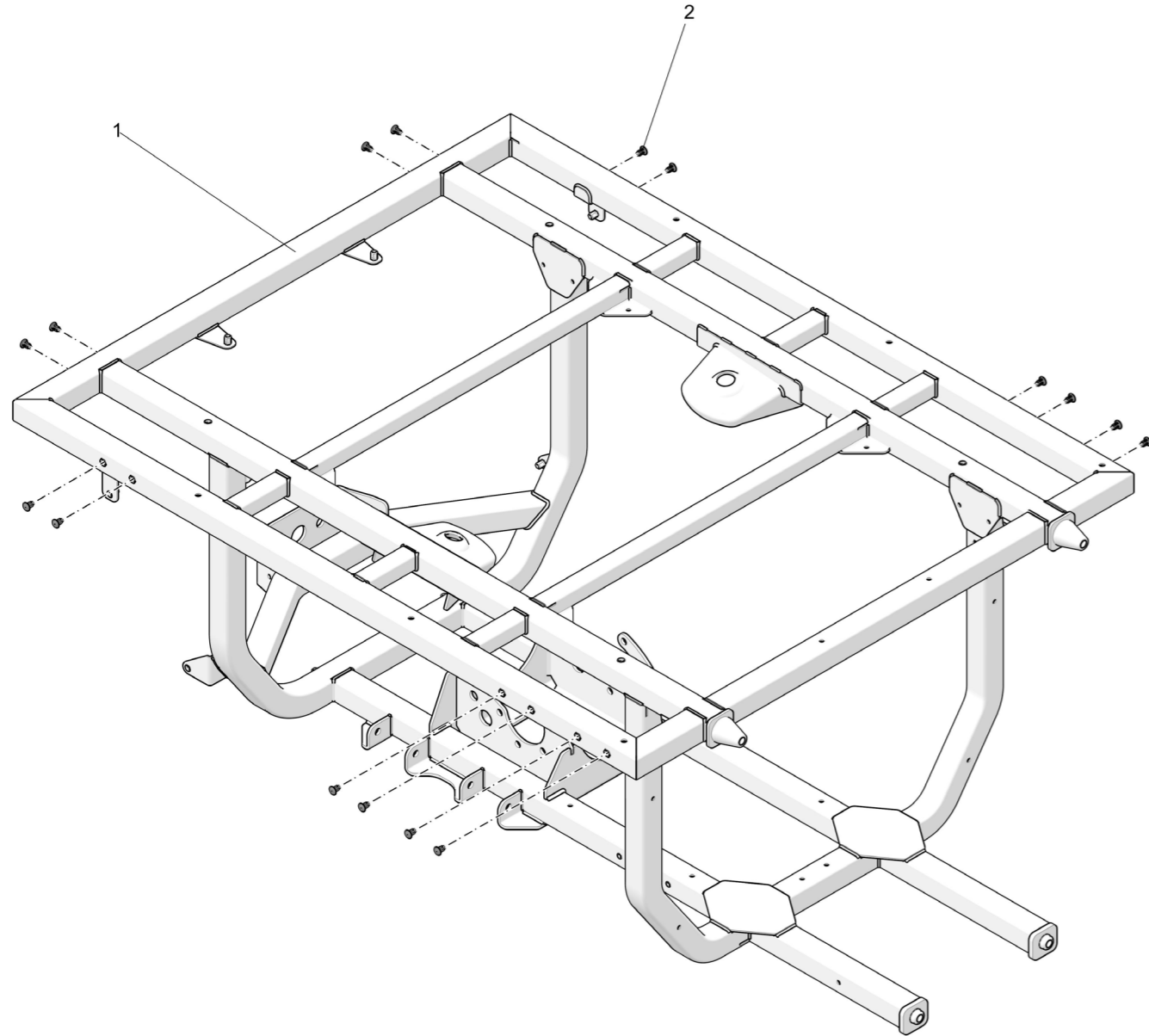
CHASSIS, FRONT FRAME

Applies to 7456001-03 [7200176]

Ref.	Part No.	Qty	Part Description	Notes
1	6004409	1	FRONT FRAME	

CHASSIS, REAR FRAME

Applies to 7456001-03 [7200187]



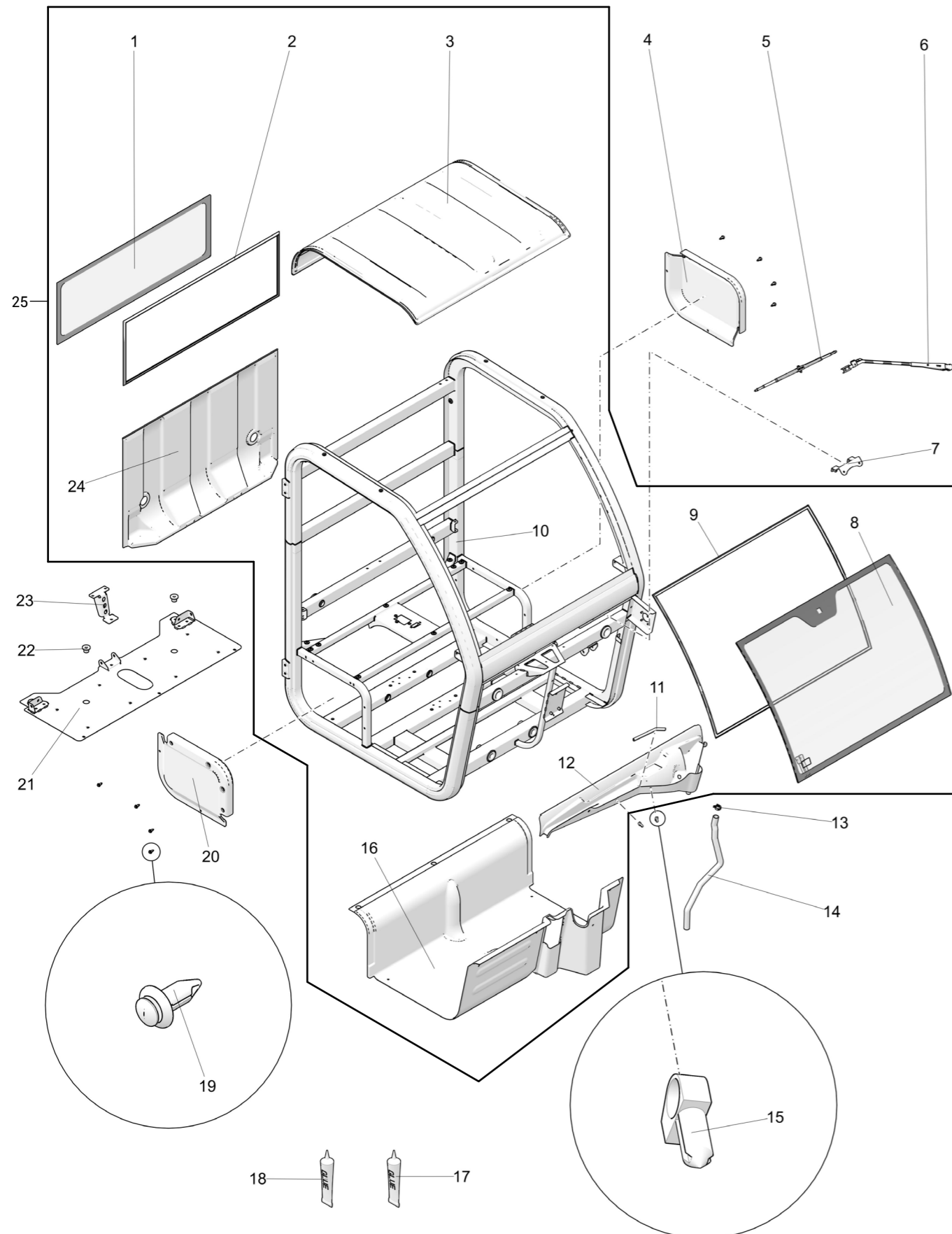
CHASSIS, REAR FRAME

Applies to 7456001-03 [7200187]

Ref.	Part No.	Qty	Part Description	Notes
1	6004408	1	REAR FRAME	
2	4150598	16	PINE CLIP	

BODY, CAB, BODYWORK, WINDSCREEN

Applies to 7456001-03 [7200185-03]



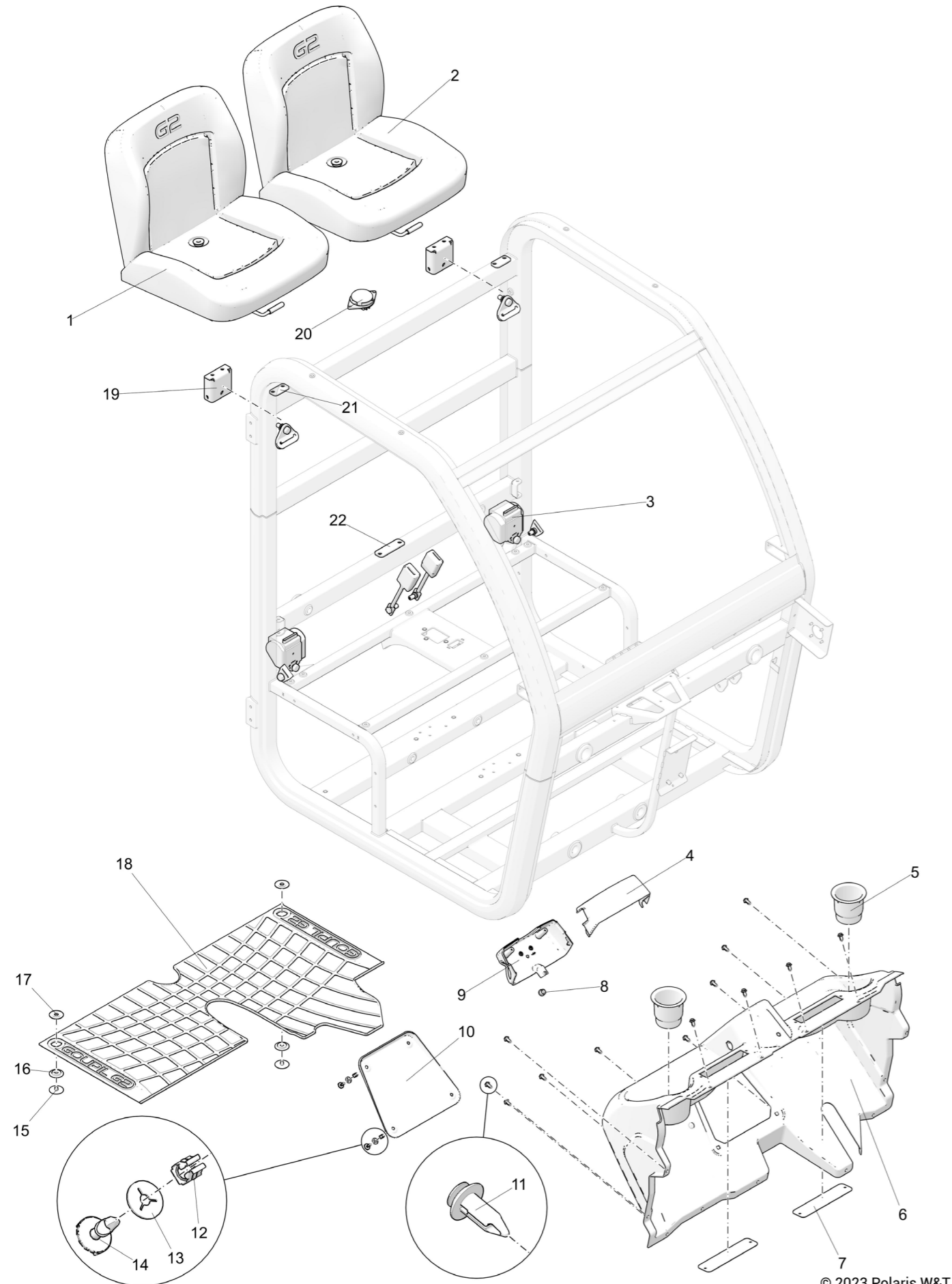
BODY, CAB, BODYWORK, WINDSCREEN

Applies to 7456001-03 [7200185-03]

Ref.	Part No.	Qty	Part Description	Notes
1	6207509	1	REAR SCREEN	WINDOW GLUE KIT NEEDED
2	6207512	1	REAR SCREEN SEAL	
3	6207496	1	ROOF	PLASTIC GLUE KIT NEEDED
4	6207499	1	LH BAT TRAP	
5	4151050	1	WIPER BLADE	
6	4151049	1	WIPER ARM	
7	6004525	1	WIPER MOTOR MOUNT	
8	6207532	1	HEATING WINDSCREEN	WINDOW GLUE KIT NEEDED
9	6207511	1	WINDSHIEL SEAL	
10	6004432	1	CABIN	
11	4250015	1	SEAL COVER	
12	6207490	1	SPOUT	PLASTIC GLUE KIT NEEDED
13	4151021	1	COLLAR	
14	4000543	1	HOSE	
15	107670102	2	CLIP	
16	6207498	1	CAB SEAT FLOOR	PLASTIC GLUE KIT NEEDED
17	7140555	1	WINDOWS GLUE KIT	
18	7140554	1	PLASTIC GLUE KIT	
19	107661855	8	PLASTIC RIVET	
20	6207500	1	RH BAT TRAP	
21	6004460	1	SEAT PLATE	
22	4250144	2	WIRE PROTECTION	
23	6111720	1	Z REINFORCMENT	
24	6207497	1	BACK WALL	PLASTIC GLUE KIT NEEDED
25	7140633	1	PREASSEMBLED CABIN	

**BODY, CAB, PASSENGER COMPARTMENT**

**Applies to 7456001-03 [7200185-03]**



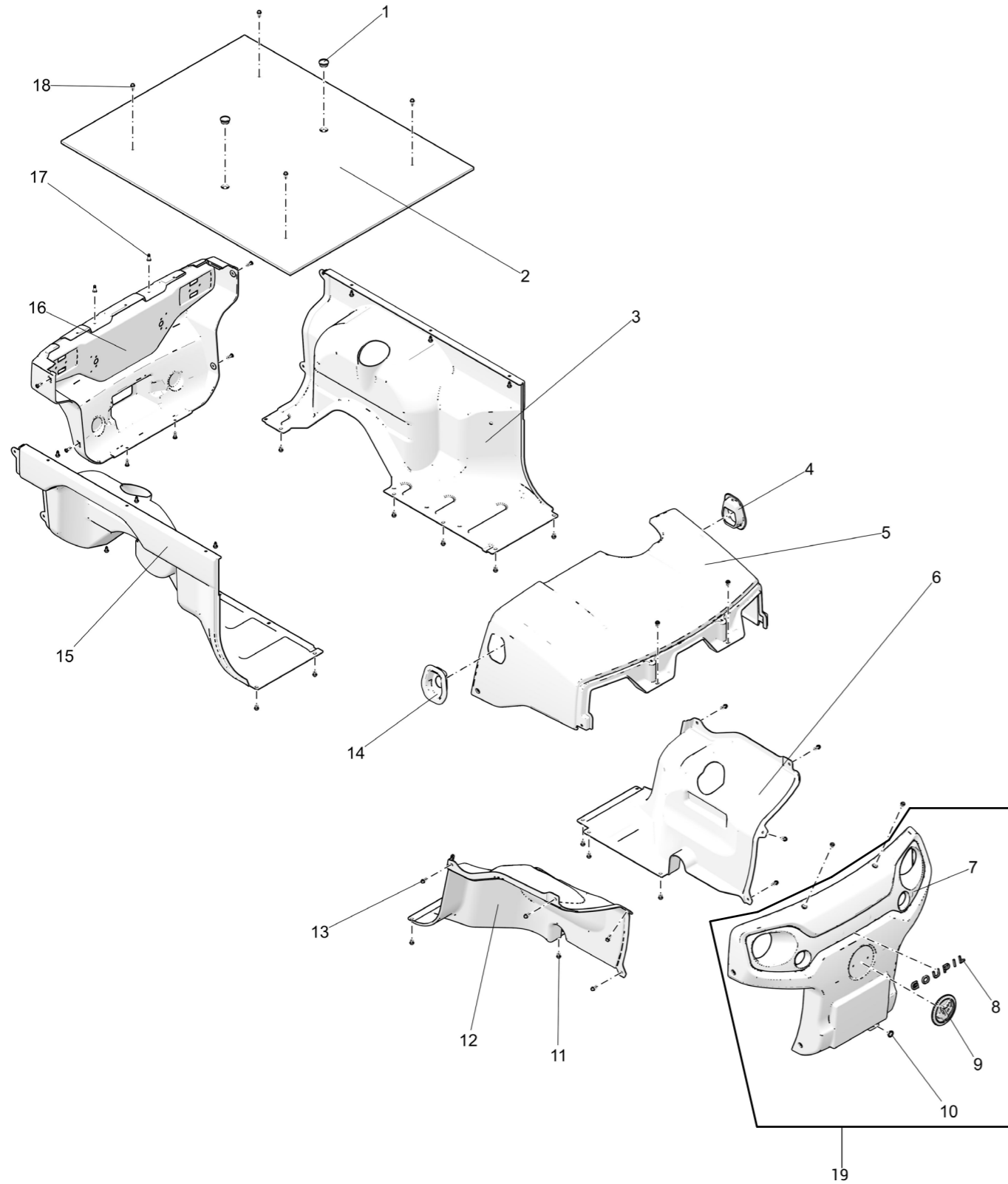
© 2023 Polaris W&T

**BODY, CAB, PASSENGER COMPARTMENT**

**Applies to 7456001-03 [7200185-03]**

Ref.	Part No.	Qty	Part Description	Notes
1	4151092	1	PASSENGER SEAT	
2	4151091	1	DRIVER SEAT	
3	4150754	1	WINDING SEAT BELT	
4	128AP121	1	TOP COVER COMMODO	
5	105436836	2	HOLDER CUP	
6	7140804	1	DASHBOARD	>> 09/2021
6	6207816	1	DASHBOARD	10/2021>>
7	6004684	2	VENT PLUG	
8	4150620	1	BLACK PLUG	
9	128AP120	1	LOW COVER COMMODO	
10	6207502	1	DASHBOARD TRAP	
11	107661855	13	PLASTIC RIVET	
12	4151026	4	BASE GRILL ROD FXATION	
13	4151027	4	WASHER GRILL ROD FXATION	
14	4151025	4	FRONT GRILL LOCKINGBOLT	
15	2101036	2	FLOOR MAT FIXATION	
16	2101035	2	FLOOR MAT FIXATION	
17	2101033	2	FLOOR MAT FIXATION	
18	6207538	1	FLOOR MAT	
19	6111724	2	HIGH POINT SEAT BELT BRACKET	
20	2150075	1	DRIVER SEAT SENSOR	
21	6113075	2	TOP BELT REINFORCEMENT	
22	6113074	1	LOWER BELT REINFORCEMENT	

Applies to 7456001-03 [7200186-03]



BODY, BODYWORK

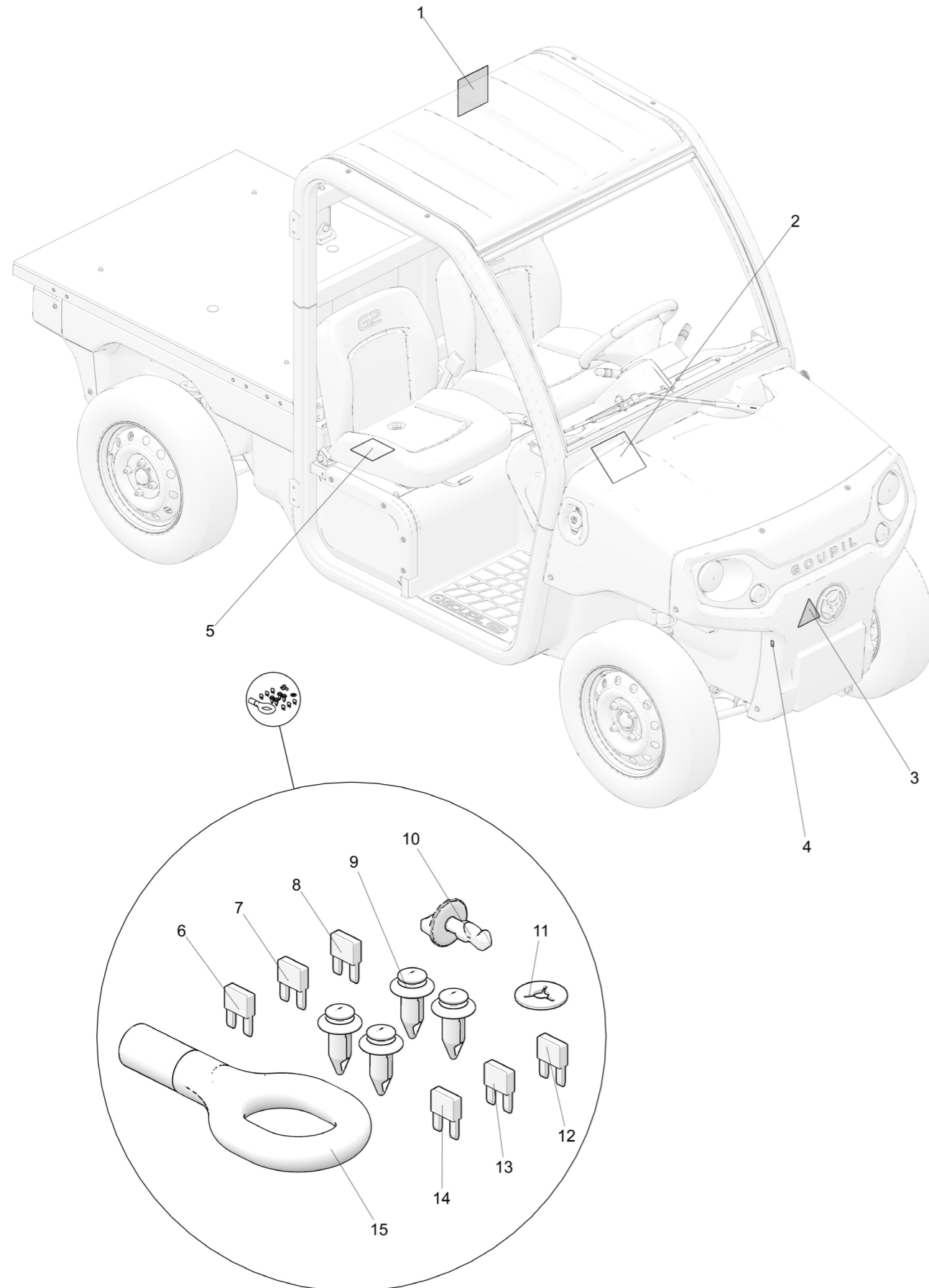
Applies to 7456001-03 [7200186-03]

Ref.	Part No.	Qty	Part Description	Notes
1	4151097	2	CAP	
2	7002380	1	DECK FLOOR	
3	6207493	1	REAR LH TIRE TRACK	
4	6207552	1	CHARGE PLUG BASE	
5	6207673	1	HOOD	
6	6207491	1	FRONT LH TIRE TRACK	
7	6200568	1	FRONT GRILL	
8	6207533	1	LETTERING GOUPIL	
9	6207526	1	BADGE	
10	4151129	1	PLUG	
11	7140818	1	10 PLASTIC RIVETS SET	28 PCS FOR ALL BODYWORK
12	6207492	1	FRONT RH TIRE TRACK	
13	5105103	8	SCREW	
14	6207649	1	WASHER FILLING BASE	
15	6207494	1	REAR RH TIRE TRACK	
16	6207495	1	REAR BUMPER	
17	5105026	8	SCREW	
18	5105013	4	SCREW	
19	7140635	1	FRONT BUMPER ASSEMBLY	



BODY, DECALS, SPARE FUSES, SPARE RIVETS, TOWING RING

Applies to 7456001-03 [7200183-03]



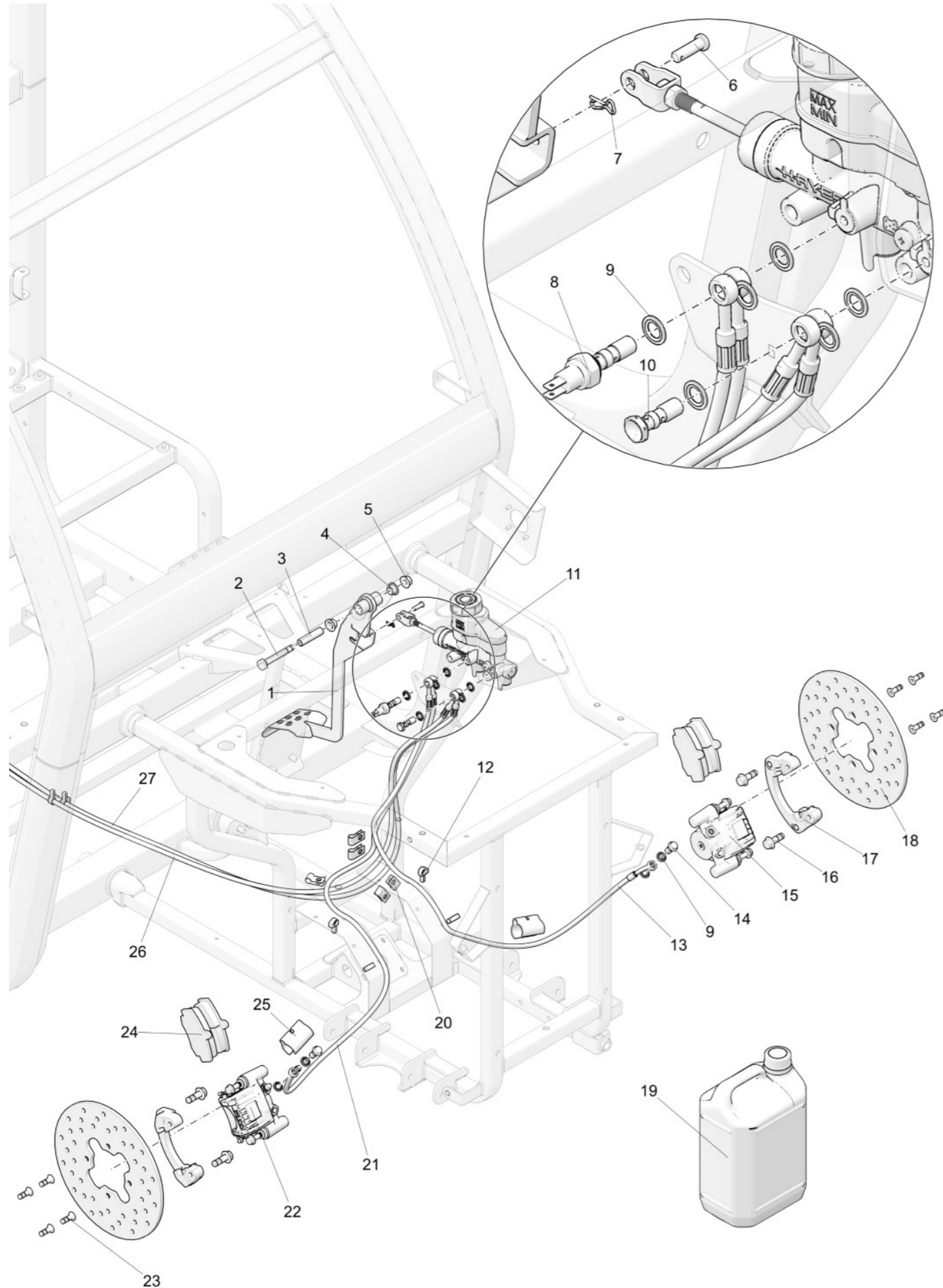
BODY, DECALS, SPARE FUSES, SPARE RIVETS, TOWING RING

Applies to 7456001-03 [7200183-03]

Ref.	Part No.	Qty	Part Description	Notes
1	6500583	1	INFORMATIONS STICKER	
2	6500582	1	STICKER	
3	6500390	1	BATTERY DECAL	
4	6500592	1	STICKER	
5	6500484	1	MANUFACTURER PLATE	
6	3450416	1	MINIFUSE 15A	
7	3450415	1	MINIFUSE 30A	
8	3450414	1	MINIFUSE 10A	
9	107661855	4	PLASTIC RIVET	
10	4151025	1	FRONT GRILL LOCKINGBOLT	
11	4151027	1	WASHER GRILL ROD FIXATION	
12	3450417	1	MINIFUSE 5A	
13	3450458	1	MINIFUSE 20A	
14	3450479	1	MINIFUSE 25A	
15	4151096	1	TOWING RING	

Note : More details on the location of the fuses [here](#)

Applies to 7456001-03 [7200180-03]

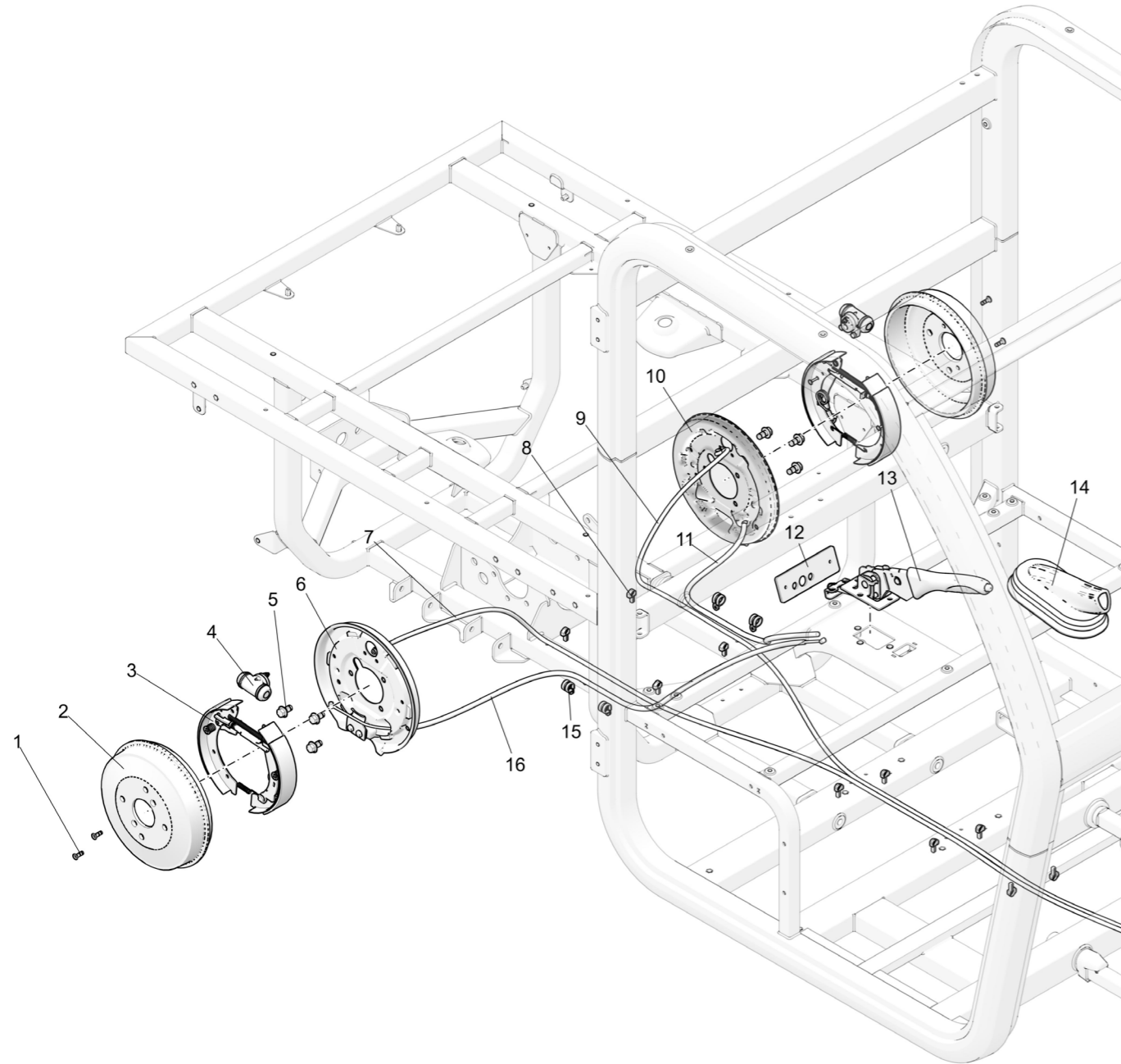


Applies to 7456001-03 [7200180-03]

Ref.	Part No.	Qty	Part Description	Notes
1	6004731	1	BRAKE PEDAL	
2	5055128	1	SCREW	
3	6113071	1	SPACER	
4	4151140	2	BEARING	
5	5205026	1	NUT	
6	107661843	1	PIN CLEVIS	
7	107661140	1	PIN CLIP	
8	104012981	1	BRAKE SENSOR	
9	105413212	10	SEAL	
10	4000535	1	HOLLOW SCREW	
11	101912784	1	MASTER CYLINDER ASSEMBLY	
12	107670102	6	CLIP	
13	6400048	1	FRONT LH BRAKE HOSE	
14	101910499	2	BANJO BOLT	
15	4000563	1	BRAKE CALIPER LH	
16	5055127	4	SCREW	
17	6109531	2	CALIPER BRACKET	
18	7140630	2	BRAKE DISCS KIT	
19	4000285	1	BRAKE FLUID	
20	107080367	5	CLAMP CABLE	
21	6400049	1	FRONT RH BRAKE HOSE	
22	4000564	1	BRAKE CALIPER RH	
23	5105104	8	SCREW	
24	7140632	1	4 BRAKE PADS KIT	
25	105439192	1	CLIP	
26	6400056	1	REAR RH BRAKE HOSE	
27	6400050	1	REAR LH BRAKE HOSE	

**BRAKES, REAR BRAKES**

**Applies to 7456001-03 [7200180-03]**



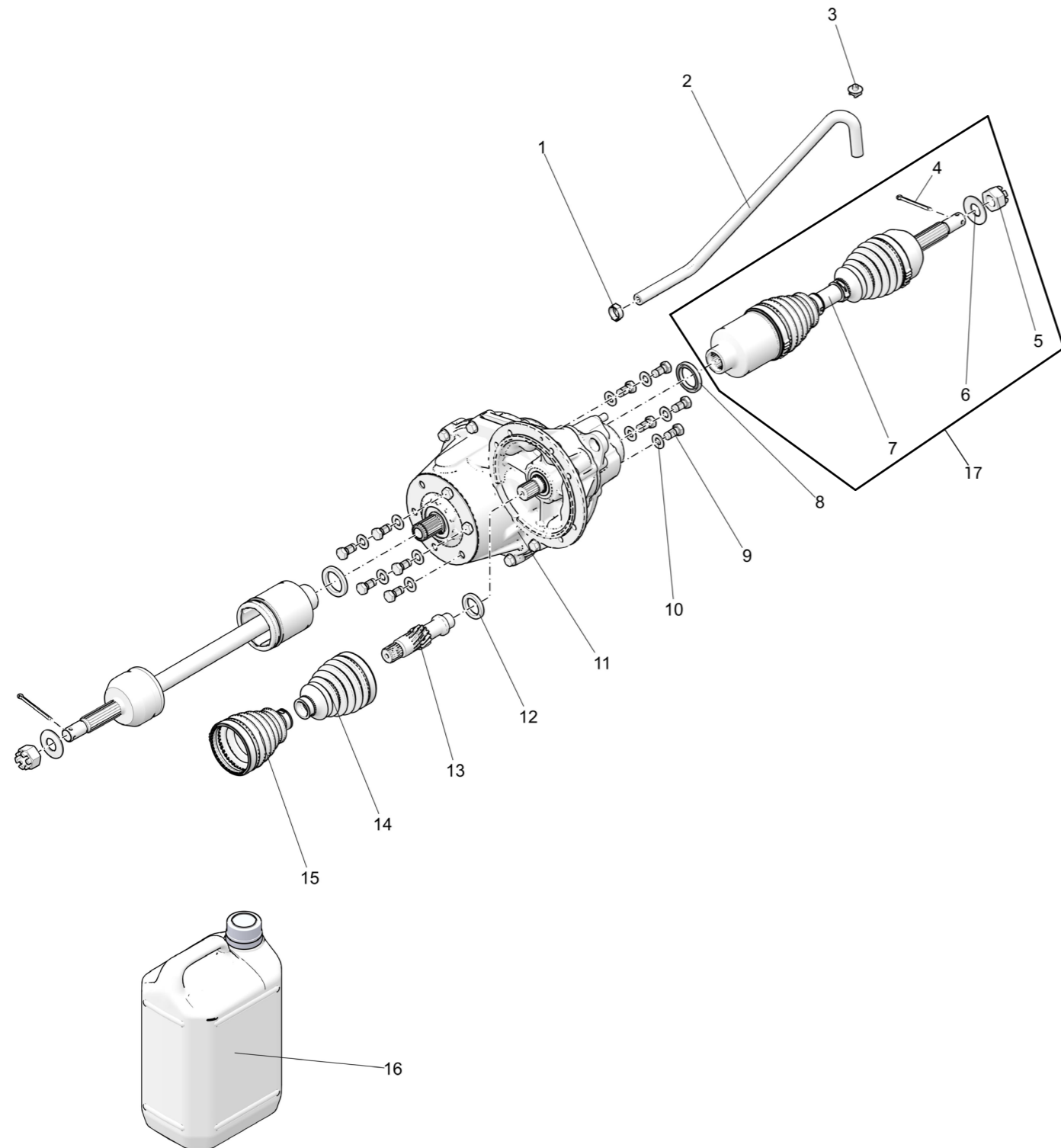
**BRAKES, REAR BRAKES**

**Applies to 7456001-03 [7200180-03]**

Ref.	Part No.	Qty	Part Description	Notes
1	5105100	4	SCREW	
2	6206090	2	BRAKE DRUM	
3	4000525	2	BRAKE KIT (INCLUDES WHEEL CYLINDER)	
4	2100148	1	WHEEL CYLINDER	
5	5055031	6	SCREW	
6	4151036	1	BRAKE PLATE RH	
7	6400051	1	REAR RH BRAKE JUMP HOSE	
8	107670102	10	CLIP	
9	6400050	1	REAR LH BRAKE JUMP HOSE	
10	4151035	1	BRAKE PLATE LH	
11	6400056	1	HANDBRAKE CABLE KIT	
12	6112105	1	HANDBRAKE CABLE PLATE	
13	4150508	1	HAND BRAKE LEVER	
14	126K003	1	HANDBRAKE BELLOWS	
15	4150504	4	COLLAR	
16	6400056	1	HANDBRAKE CABLE KIT	

DRIVETRAIN, GEARBOX DIFFERENTIAL

Applies to 7456001-03 [7200184-01]



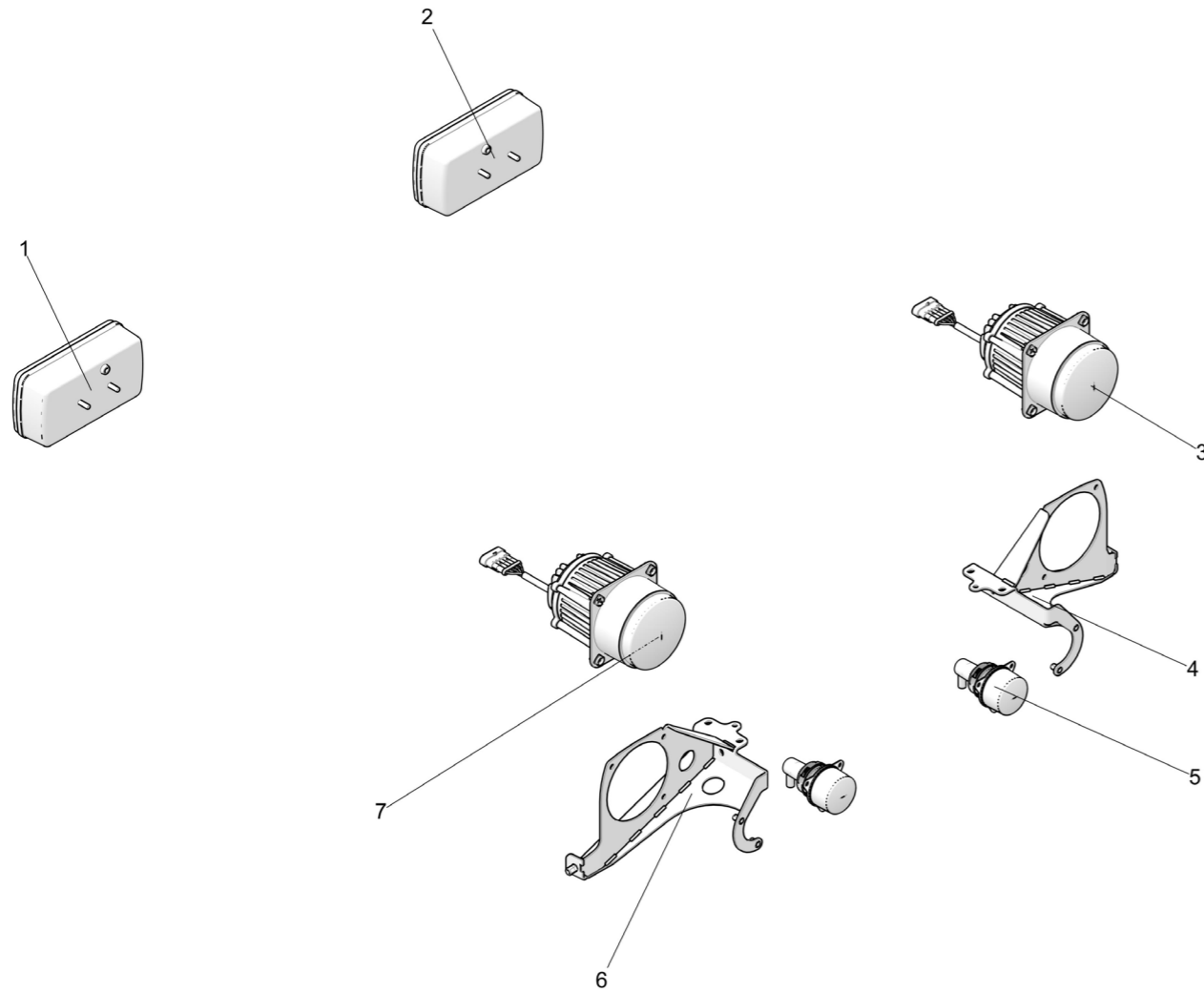
DRIVETRAIN, GEARBOX DIFFERENTIAL

Applies to 7456001-03 [7200184-01]

Ref.	Part No.	Qty	Part Description	Notes
1	4151089	1	COLLAR	
2	7002484	1	HOSE	
3	3200045	1	COLLAR	
4	2100019	1	SPLITPIN	
5	5250090	2	NUT	
6	5300093	2	WASHER	
7	6207485	2	DRIVESHAFT	
8	2100560	2	SEAL DUAL LIP	
9	5055129	12	SCREW	
10	5300002	12	WASHER	
11	101333336	1	GEARCASE ASSEMBLY	
12	2100561	1	SEAL TRIPLE LIP	
13	2100177	1	INPUT SHAFT	
14	2101083	2	INNER BOOT KIT	
15	2101082	2	OUTER BOOT KIT	
16	2100987	1	GEARBOX OIL	
17	7140631	2	DRIVESHAFT KIT	

*ELECTRICAL, LIGHTS*

**Applies to 7456001-03 [7200179-04]**



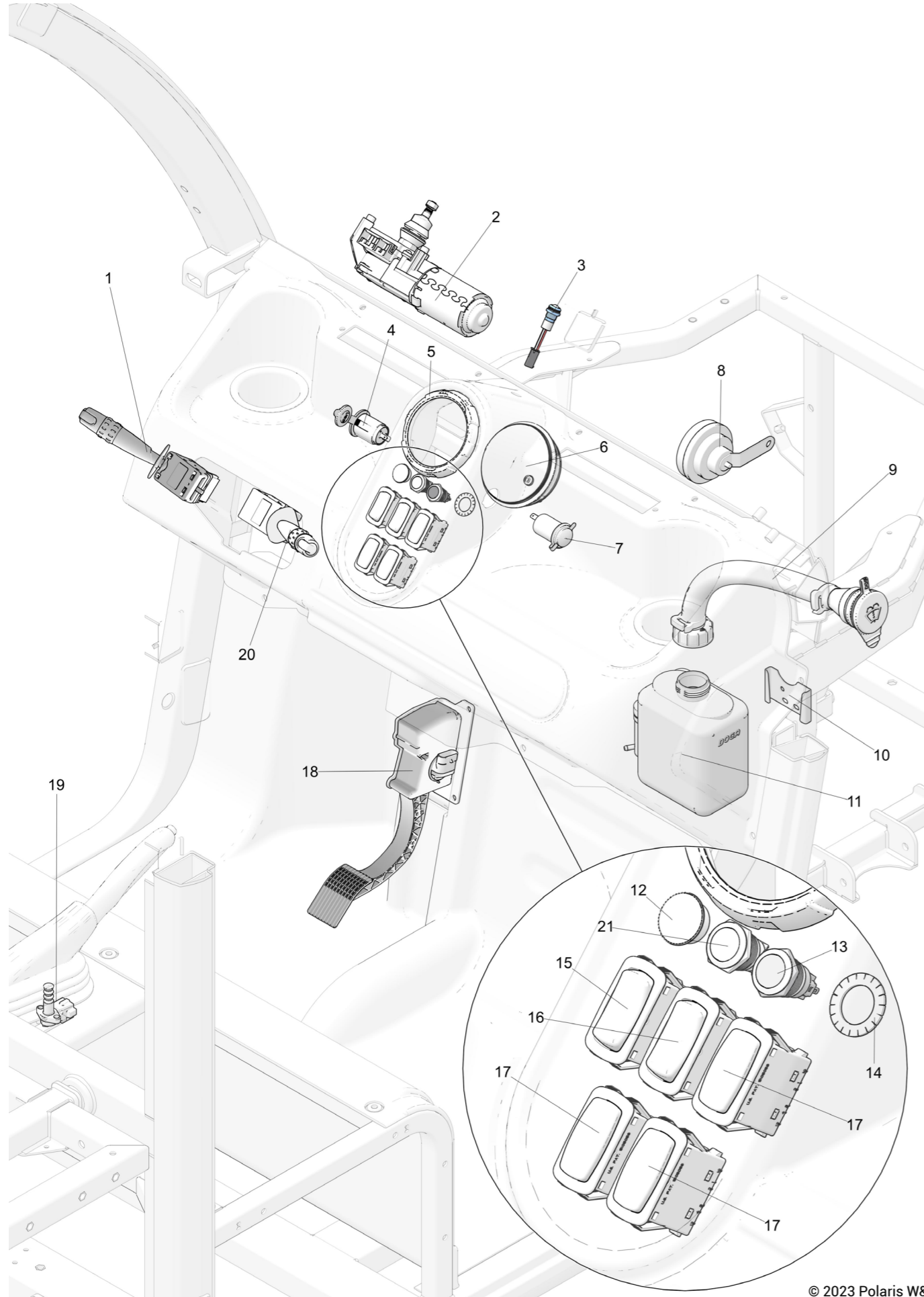
*ELECTRICAL, LIGHTS*

**Applies to 7456001-03 [7200179-04]**

Ref.	Part No.	Qty	Part Description	Notes
1	3550112	1	RH REAR LIGHT (LEFT UK. REVERSE LIGHT)	
2	3550111	1	LH REAR LIGHT (RIGHT UK. FOG LIGHT)	
3	3550146	1	FRONT LIGHT	
4	6004448	1	FRONT LH LIGHTS BRACKET	
5	3550089	2	ROUND INDICATOR	
6	6004449	1	FRONT RH LIGHTS BRACKET	
7	3550147	1	RIGHT FRONT LIGHT	

*ELECTRICAL, DASH INSTRUMENT*

**Applies to 7456001-03 [7200179-04]**



*ELECTRICAL, DASH INSTRUMENT*

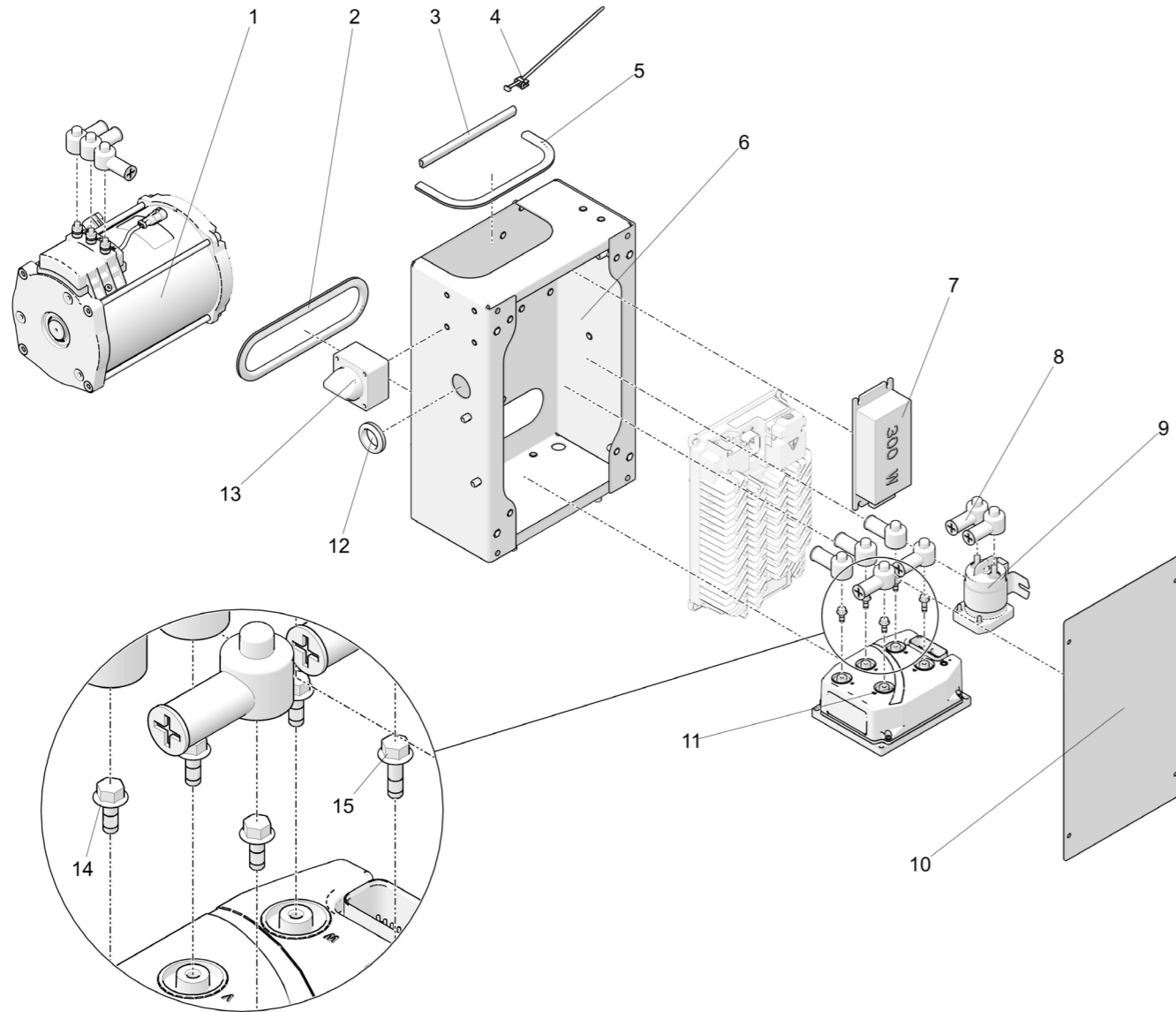
**Applies to 7456001-03 [7200179-04]**

Ref.	Part No.	Qty	Part Description	Notes
1	3450530	1	LEFT STALK	
2	3500269	1	WIPER MOTOR	
3	7102242	1	CHARGE INDICATOR	
4	104015350	1	DUAL USB-PORT	
5	105438945	1	BEZEL-INSTRUMENT CLUSTER	
6	3450529	1	DISPLAY	
7	104012393	1	12V RECEPTACLE	
8	3450066	1	HORN	
9	4151107	1	PLUG AND FILLING PIPE	
10	2101085	1	WASHER TANK SUPPORT	
11	4151106	1	WINDSHIELD WASHER TANK	
12	4151093	1	PLUG	
13	3450548	1	HAZARD LIGHT	
14	5300096	2	WASHER	
15	3450542	1	SWITCH LOW SPEED / HIGH SPEED	
16	3450554	1	DEFROST SWITCH	
17	3450474	3	CAP	SEE FLASHING LIGHT/AK5/ HEATER OPTIONS FOR SWITCH PN
18	104014042	1	PEDAL THROTTLE	
19	3450513	1	HAND BRAKE SENSOR	
20	3450551	1	RIGHT STALK	
21	3450660	1	MIL	

*ELECTRICAL, ELECTRIC MOTOR, CONTROLLER BOX*

**Applies to 7456001-03 [7200179-04]**

\* Please refer to the battery option for the charger reference

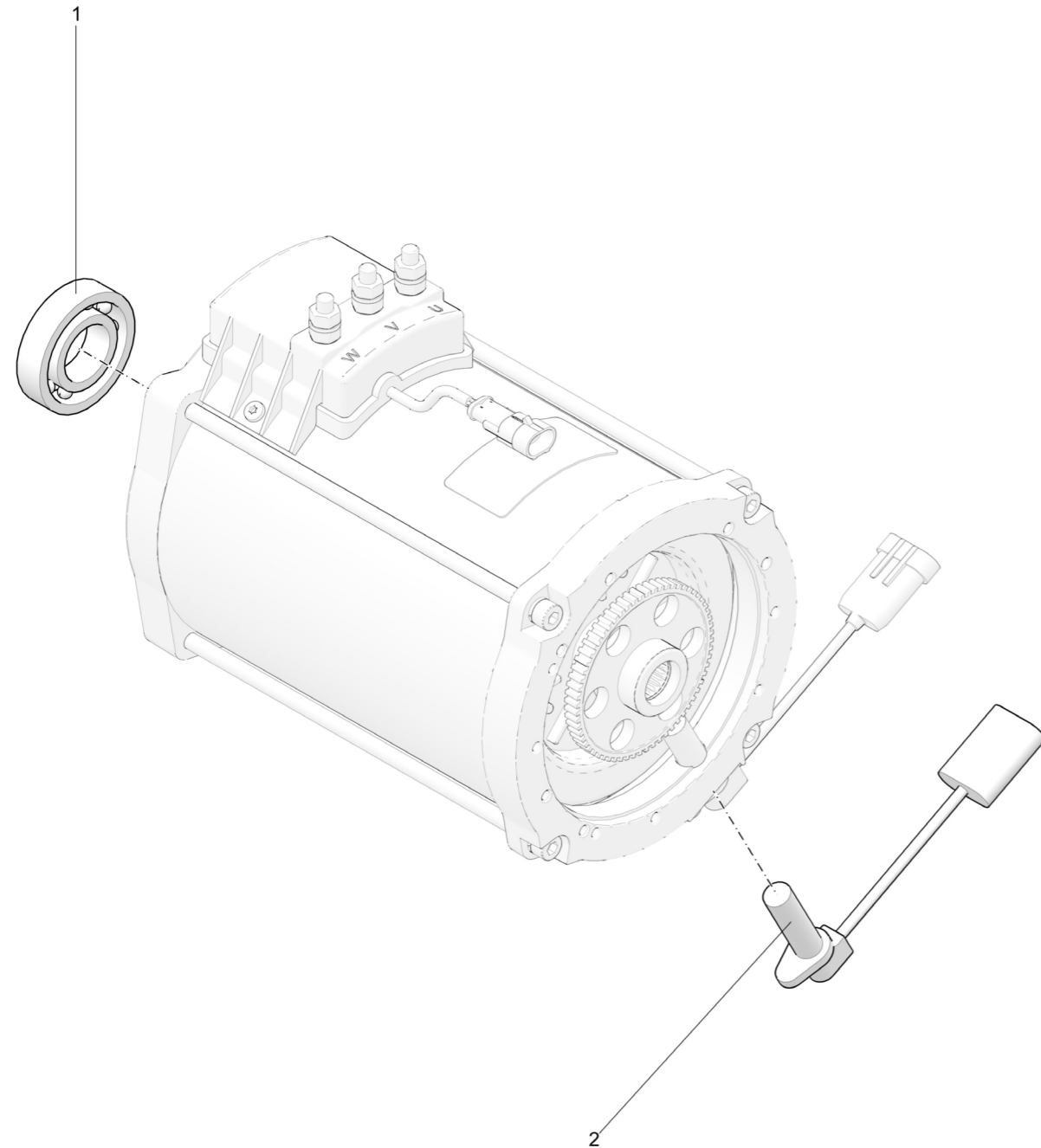


*ELECTRICAL, ELECTRIC MOTOR, CONTROLLER BOX*

**Applies to 7456001-03 [7200179-04]**

Ref.	Part No.	Qty	Part Description	Notes
1	3500268	1	MOTOR	
2	7002477	1	SEAL COVER CONTROLLER BOX	
3	7002478	1	TOP SHORT SEAL COVER CONTROLLER BOX	
4	3450363	1	CLIP	
5	7002479	1	TOP LONG SEAL COVER CONTROLLER BOX	
6	6004777	1	ELECTRIC BOX	
7	3500317	1	CONVERTER	
8	3450242	10	MOTOR TERMINAL COVER	
9	3500313	1	LINE CONTACTOR	
10	6111773	1	ELECTRIC BOX HOOD	
11	3500315	1	CONTROLLER	
12	4250148	1	WIRE GUIDE	
13	3450405	1	BATTERY SWITCH	
14	5055177	4	CONTROLLER TERMINAL SCREW	
15	5055180	1	CONTROLLER TERMINAL SCREW	

Applies to 7456001-03 [7200179-04]



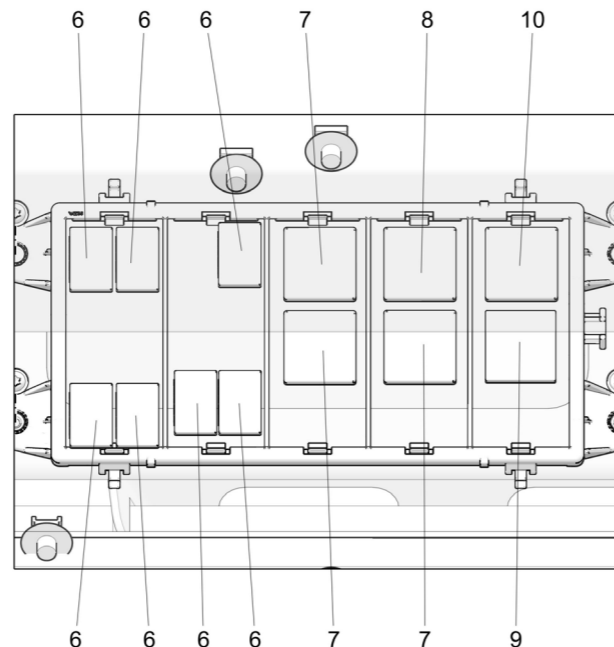
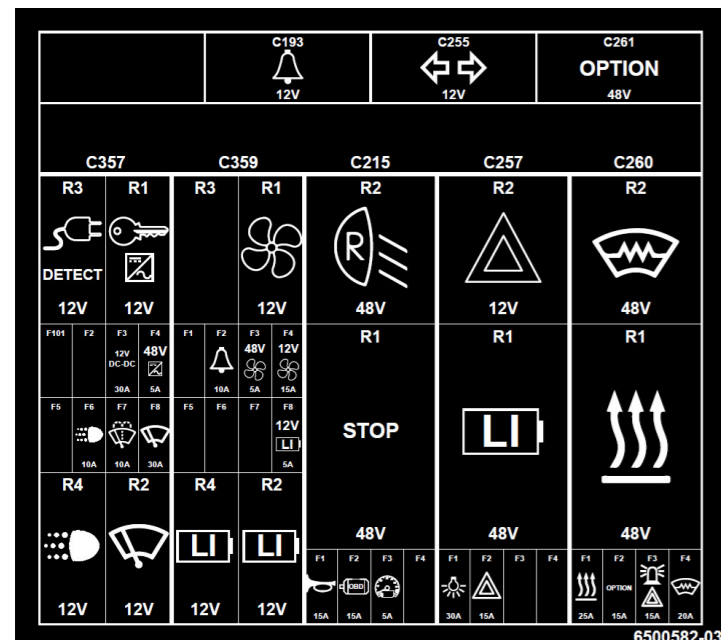
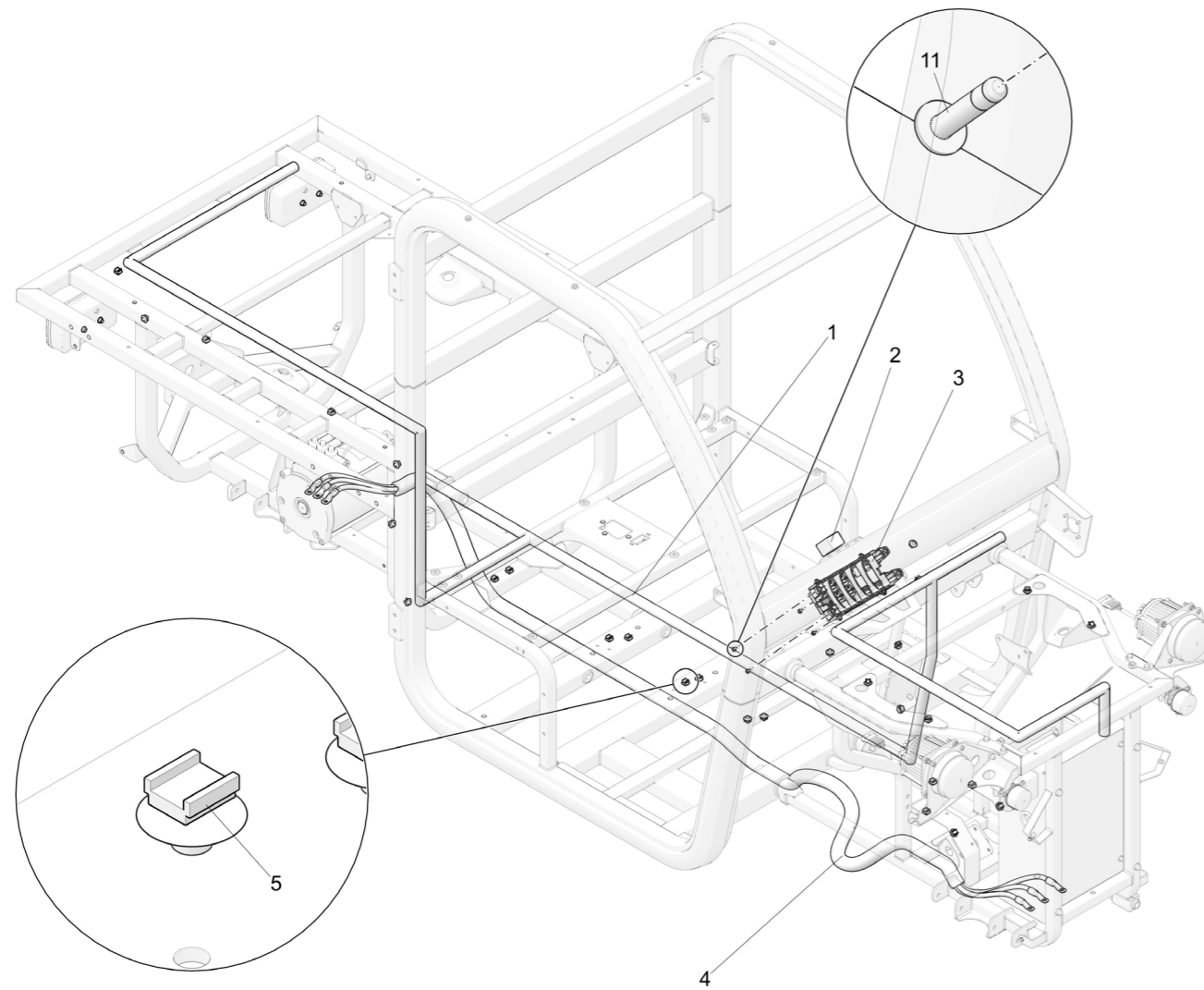
Applies to 7456001-03 [7200179-04]

Ref.	Part No.	Qty	Part Description	Notes
1	2101078	1	BEARING	
2	2101079	1	SPEED SENSOR	



**ELECTRICAL, HARNESS, FUSE, RELAYS**

**Applies to 7456001-03 [7200179-04]**



© 2023 Polaris W&T

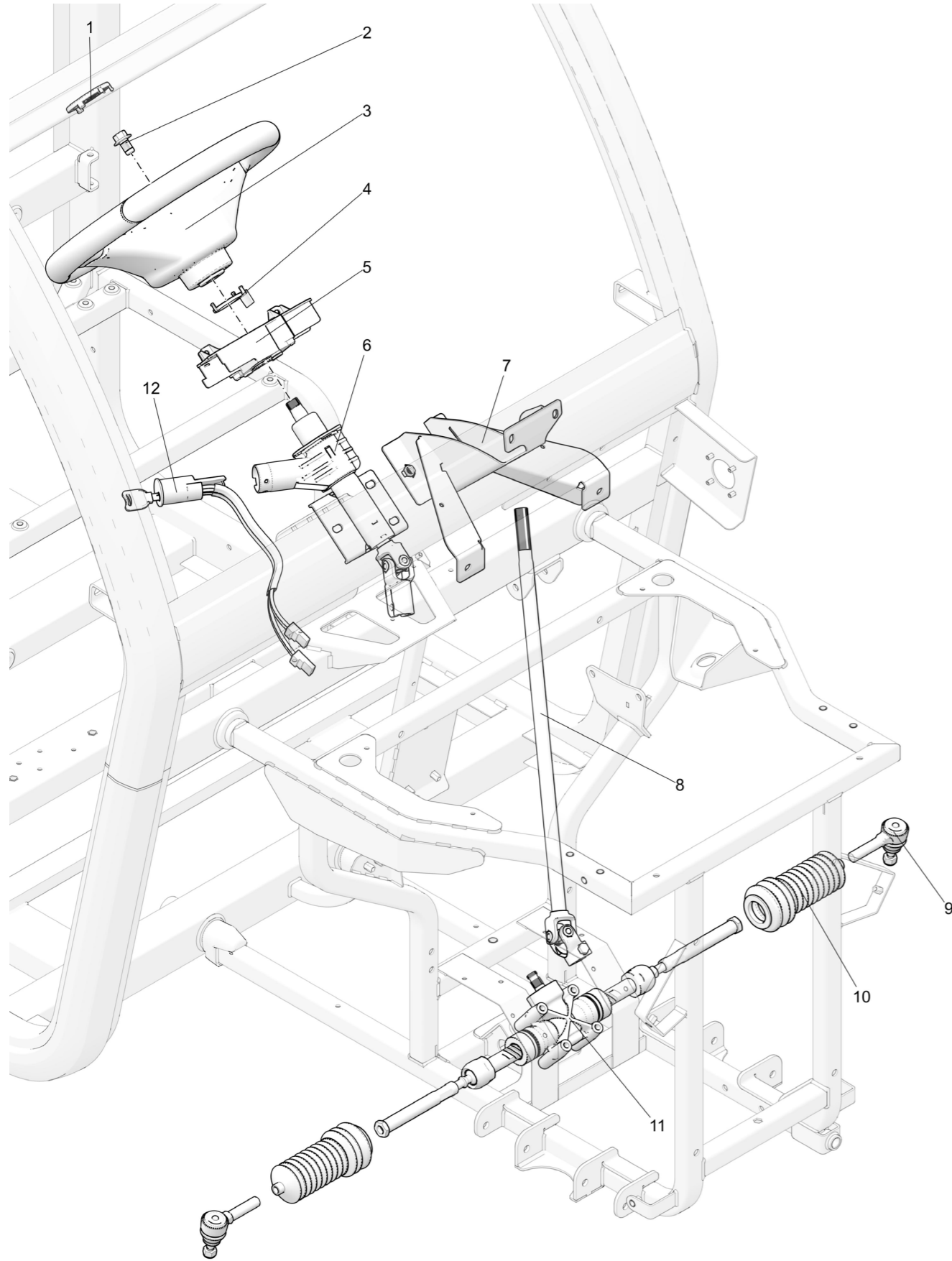
**ELECTRICAL, HARNESS, FUSE, RELAYS**

**Applies to 7456001-03 [7200179-04]**

Ref.	Part No.	Qty	Part Description	Notes
1	6207821	1	MAIN HARNESS	
2	3450459	1	INDICATOR RELAY UNIT	
3	3450552	1	RELAY CARRIER	
4	6207488	1	MOTOR HARNESS	
5	3200045	30	COLLAR	
6	3450237	7	MICRO RELAY	C357-R1, C357-R2, C357-R3, C357-R4, C359-R1, C359-R2, C359-R4,
7	3450549	4	RELAY	C215-R1, C215-R2, C257-R1
8	3450615	1	RELAY	C257-R2
9	3450436	1	RELAY	C260-R1
10	3450494	1	RELAY	C260-R2
11	5105077	4	SCREW	
	3450417	1	MINIFUSE 5A	C357-F4, C359-F3, C359-F8, C215-F3
	3450414	1	MINIFUSE 10A	C357-F6, C357-F7, C359-F2
	3450416	1	MINIFUSE 15A	C359-F4, C215-F1, C215-F2, C257-F2, C260-F2, C260-F3
	3450458	1	MINIFUSE 20A	C260-F4
	3450479	1	MINIFUSE 25A	C260-F1
	3450415	1	MINIFUSE 30A	C357-F3, C357-F8, C257-F1

STEERING, STEERING ASM

Applies to 7456001-03 [7200181-03]



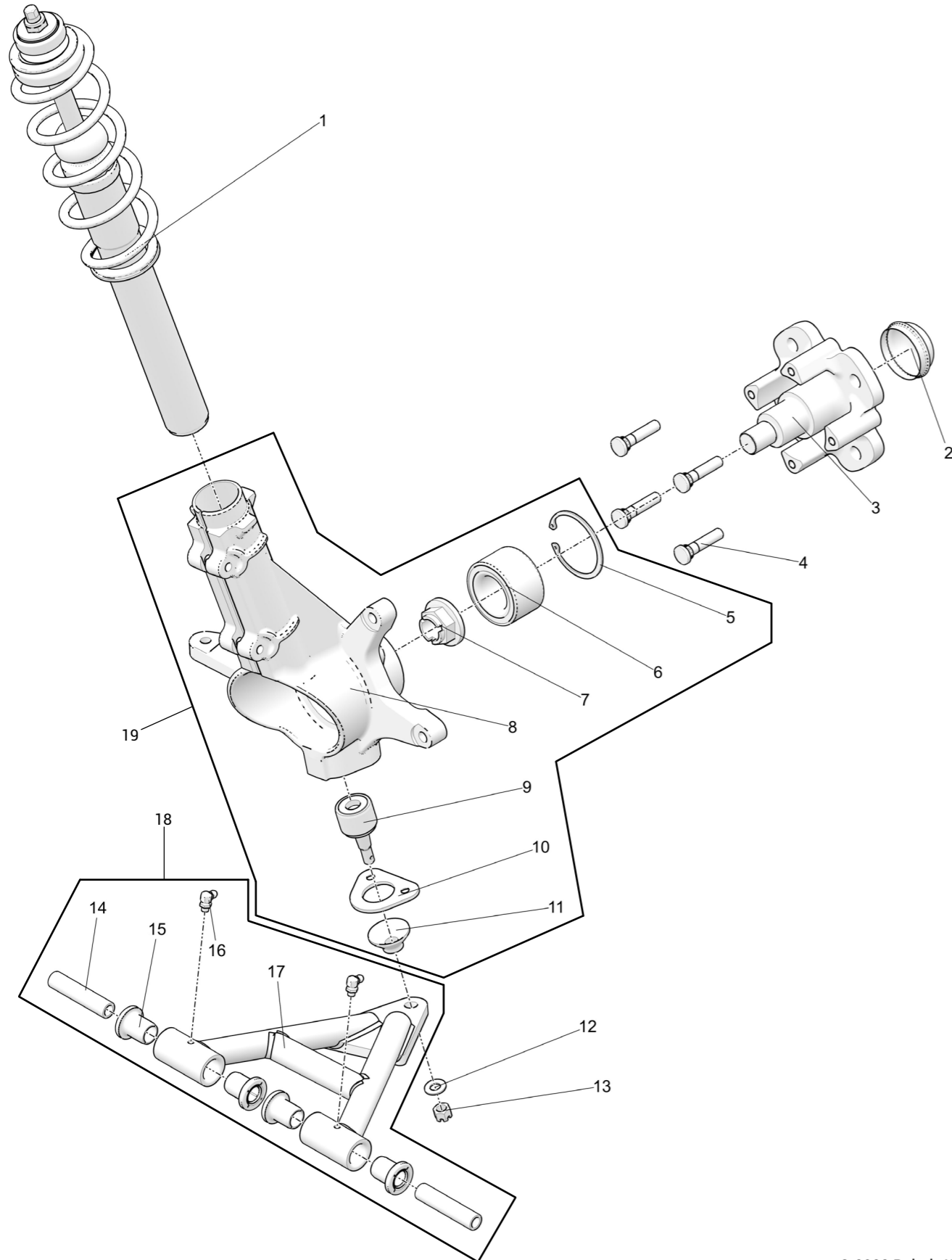
STEERING, STEERING ASM

Applies to 7456001-03 [7200181-03]

Ref.	Part No.	Qty	Part Description	Notes
1	2101461	1	STEERING WHEEL CENTER CAP	
2	5055039	1	SCREW	
3	4200523	1	STEERING WHEEL	
4	2101438	1	BLINKERS PULL BACK RING	
5	105452254	1	RECEIVER-TURNSTALK	
6	124AX022	1	STEERING COLUMN	
7	6004603	1	STEERING BRACKET	
8	6207808	1	STEERING SHAFT	
9	2101076	2	STEERING BALL JOINT	
10	2101077	2	STEERING RACK BOOT	
11	6207650	1	COMPLETE STEERING RACK	
12	3500216	1	ANTI THEFT IGNITION SWITCH (WITH 2 KEYS)	

SUSPENSION, FRONT LH SUSPENSION

Applies to 7456001-03 [7200177-01]



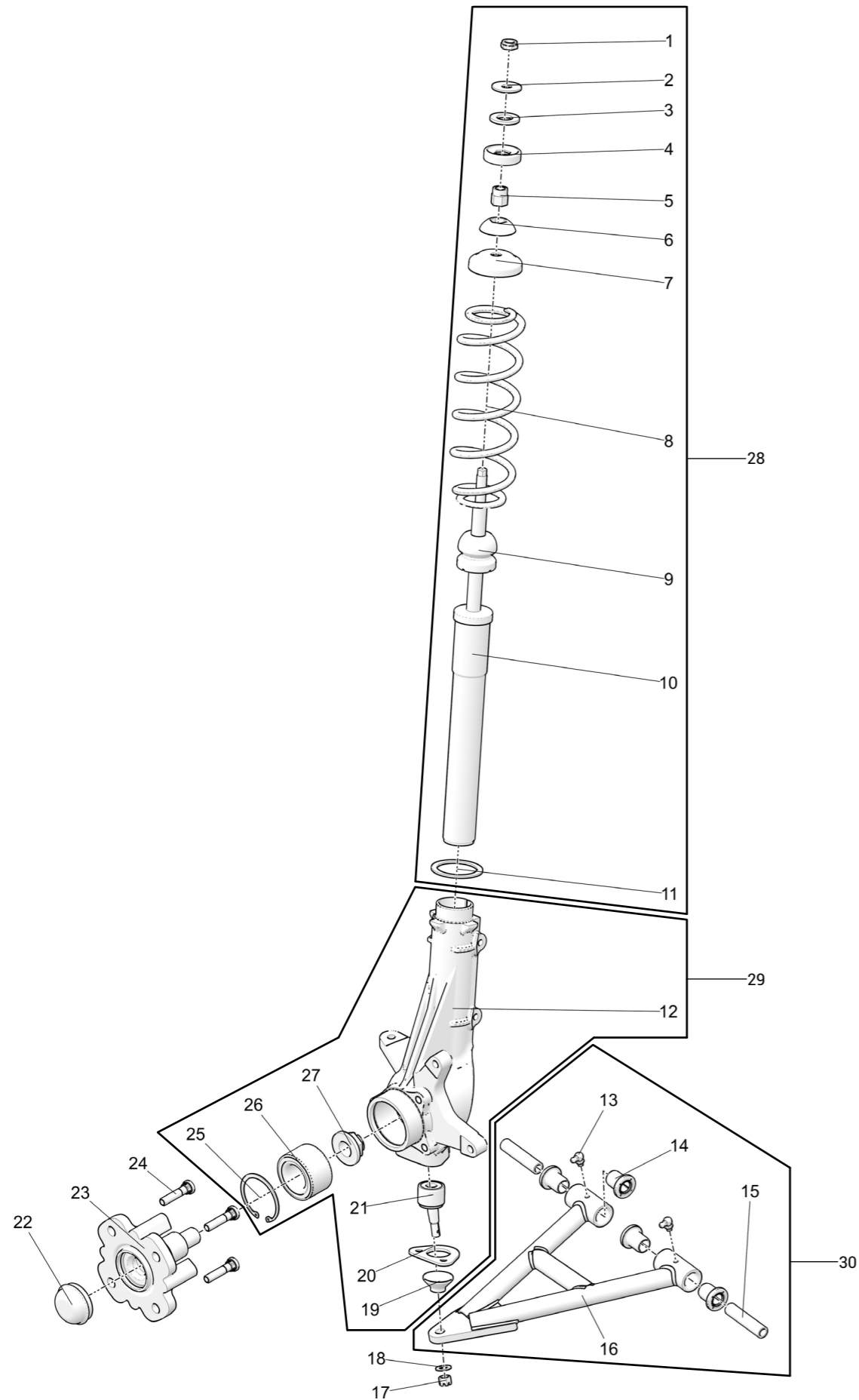
SUSPENSION, FRONT LH SUSPENSION

Applies to 7456001-03 [7200177-01]

Ref.	Part No.	Qty	Part Description	Notes
1	7140623	1	PREASSEMBLED FRONT SHOCK ABSORBER	ONLY LH AND RH FRONT SUSPENSION
2	4150986	1	HUB COVER	
3	7140622	1	FRONT HUB KIT	
4	6206105	4	STUD	
5	107710507	1	INTERNAL RING	
6	103514634	1	BEARING	
7	5200022	1	FLANGE NUT	
8	6207503	1	WHEEL CARRIER	
9	7140850	1	BALL JOINT	INCLUDES 10, 11, 12, 13, 18
10	105211121	1	BRACKET BALL JOINT	
11	105412658	1	BOOT BALL JOINT	
12	5300103	1	WASHER	
13	5205029	1	NUT	
14	105138797	2	SHAFT PIVOT	
15	105439874	4	BUSHING	
16	107080510	2	GREASE NIPPLE	
17	6004419	1	SUSPENSION TRIANGLE	
18	7140625	1	PREASSEMBLED SUSPENSION TRIANGLE	
19	7140627	1	PREASSEMBLED WHEEL CARRIER	

SUSPENSION, FRONT RH SUSPENSION

Applies to 7456001-03 [7200177-01]



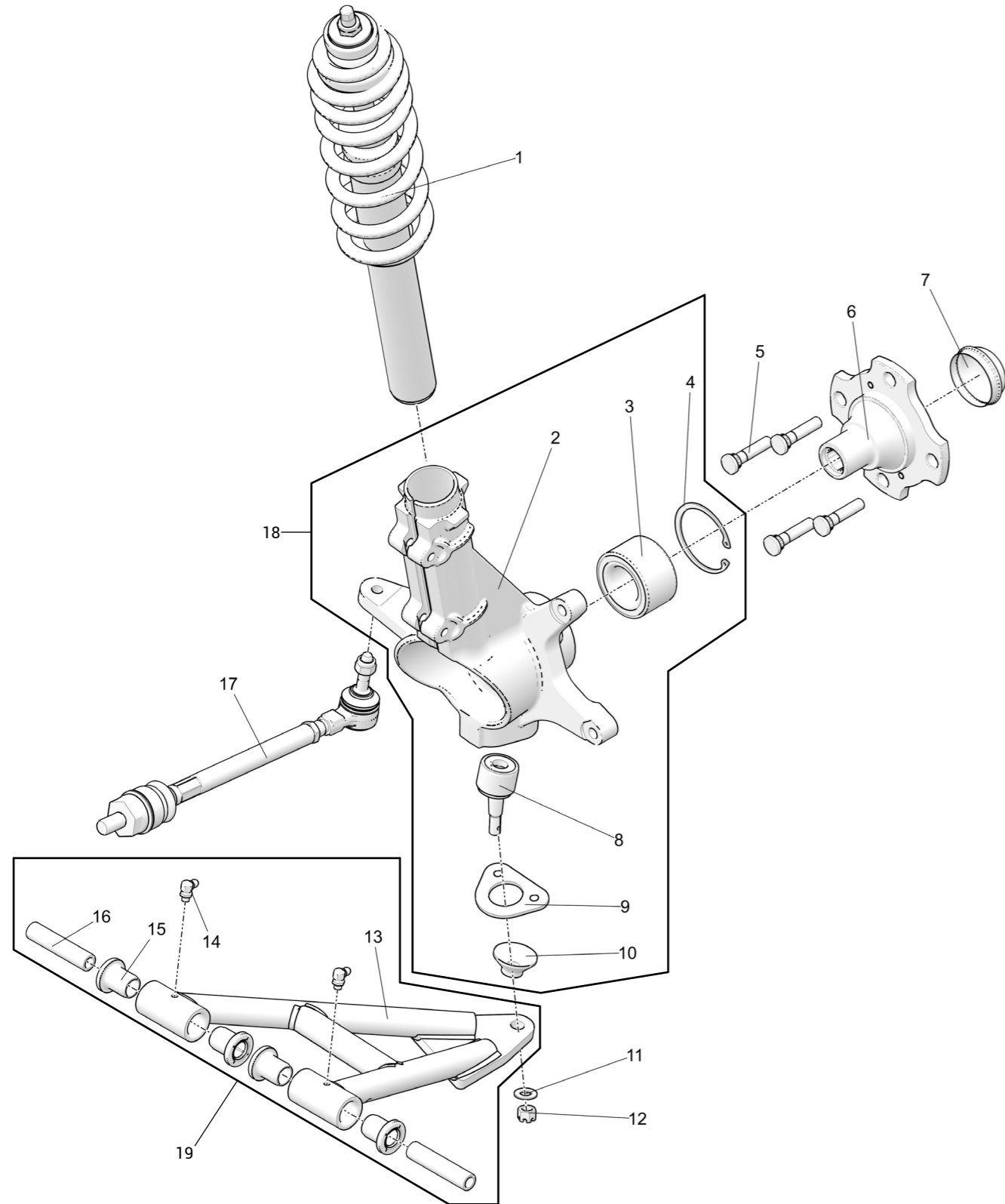
SUSPENSION, FRONT RH SUSPENSION

Applies to 7456001-03 [7200177-01]

Ref.	Part No.	Qty	Part Description	Notes
1	107547104	1	NUT	
2	107555749	1	WASHER	
3	105810291	1	SPACE RUBBER	
4	105432872	1	PIVOT BALL TOP	
5	105132062	1	SPACER	
6	105432871	1	PIVOT BALL BOTTOM	
7	105243364	1	RETAINER-SPRING	
8	6207513	1	FRONT SUSPENSION SPRING	
9	105412665	1	BUMPER	
10	6207672	1	SHOCK ABSORBER	
11	105211115	1	WASHER	
12	6207504	1	WHEEL CARRIER	
13	107080510	2	GREASE NIPPLE	
14	105439874	4	BUSHING	
15	105138797	2	SHAFT PIVOT	
16	6004420	1	SUSPENSION TRIANGLE	
17	5205029	1	NUT	
18	5300103	1	WASHER	
19	105412658	1	BOOT BALL JOINT	
20	105211121	1	BRACKET BALL JOINT	
21	7140850	1	BALL JOINT	INCLUDES 17, 18, 19, 20 21
22	4150986	1	HUB COVER	
23	7140622	1	FRONT HUB KIT	
24	6206105	4	STUD	
25	107710507	1	INTERNAL RING	
26	103514634	1	BEARING	
27	5200022	1	FLANGE NUT	
28	7140623	1	PREASSEMBLED FRONT SHOCK ABSORBER	ONLY LH AND RH FRONT SUSPENSION
29	7140626	1	PREASSEMBLED WHEEL CARRIER	
30	7140624	1	PREASSEMBLED SUSPENSION TRIANGLE	

SUSPENSION, REAR LH SUSPENSION

Applies to 7456001-03 [7200178-01]



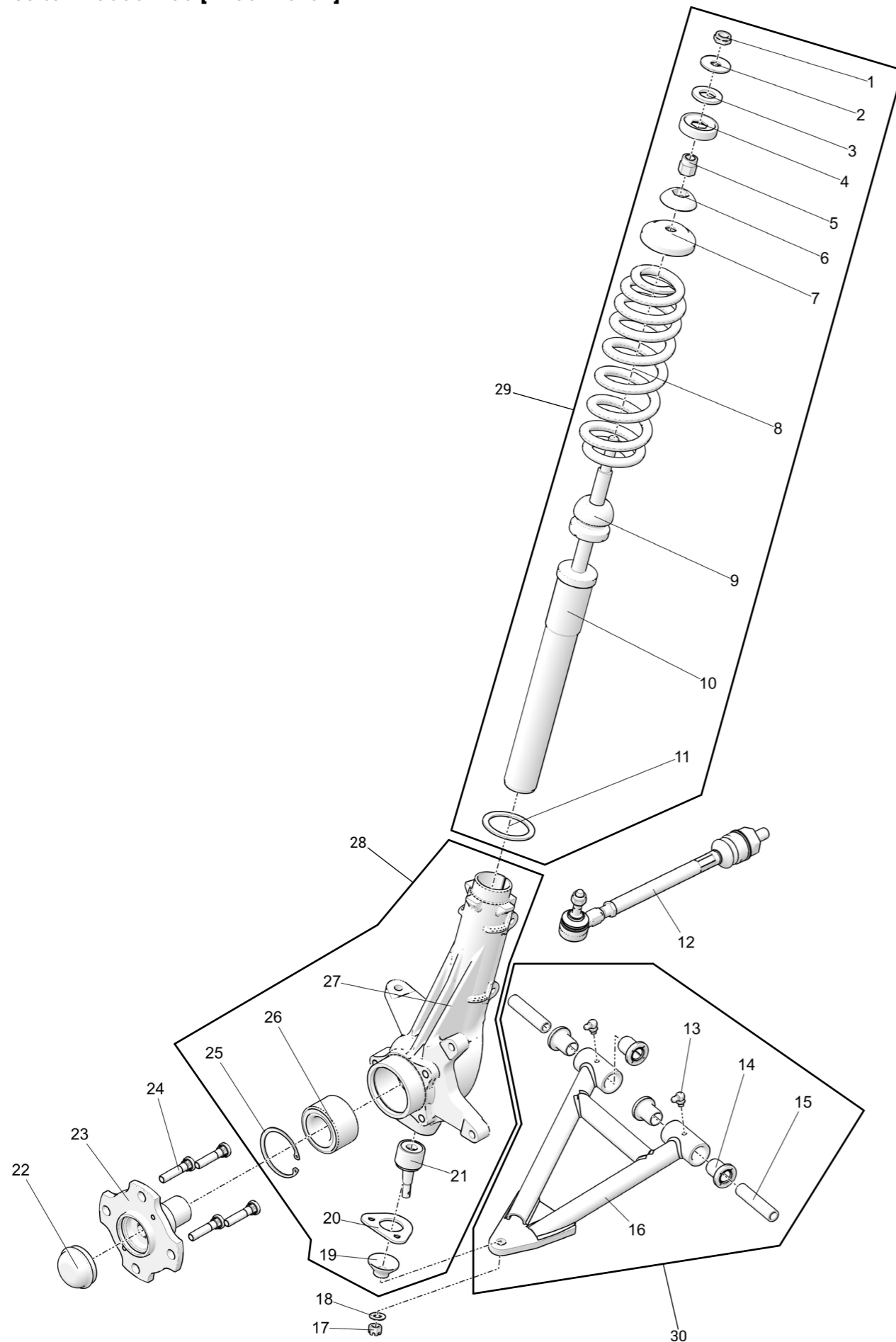
SUSPENSION, REAR LH SUSPENSION

Applies to 7456001-03 [7200178-01]

Ref.	Part No.	Qty	Part Description	Notes
1	7140628	1	PREASSEMBLED REAR SHOCK ABSORBER	ONLY LH AND RH REAR SUSPENSION
2	6207503	1	WHEEL CARRIER	
3	103514634	1	BEARING	
4	107710507	1	INTERNAL RING	
5	6206105	4	STUD	
6	7140629	1	REAR HUB KIT	
7	4150986	1	HUB COVER	
8	7140850	1	BALL JOINT	INCLUDES 9, 10, 11, 12, 13
9	105211121	1	BRACKET BALL JOINT	
10	105412658	1	BOOT BALL JOINT	
11	5300103	1	WASHER	
12	5205029	1	NUT	
13	6004420	1	SUSPENSION TRIANGLE	
14	107080510	2	GREASE NIPPLE	
15	105439874	4	BUSHING	
16	105138797	2	SHAFT PIVOT	
17	6207515	1	REAR TIE ROD	
18	7140627	1	PREASSEMBLED WHEEL CARRIER	
19	7140624	1	PREASSEMBLED SUSPENSION TRIANGLE	

SUSPENSION, REAR RH SUSPENSION

Applies to 7456001-03 [7200178-01]



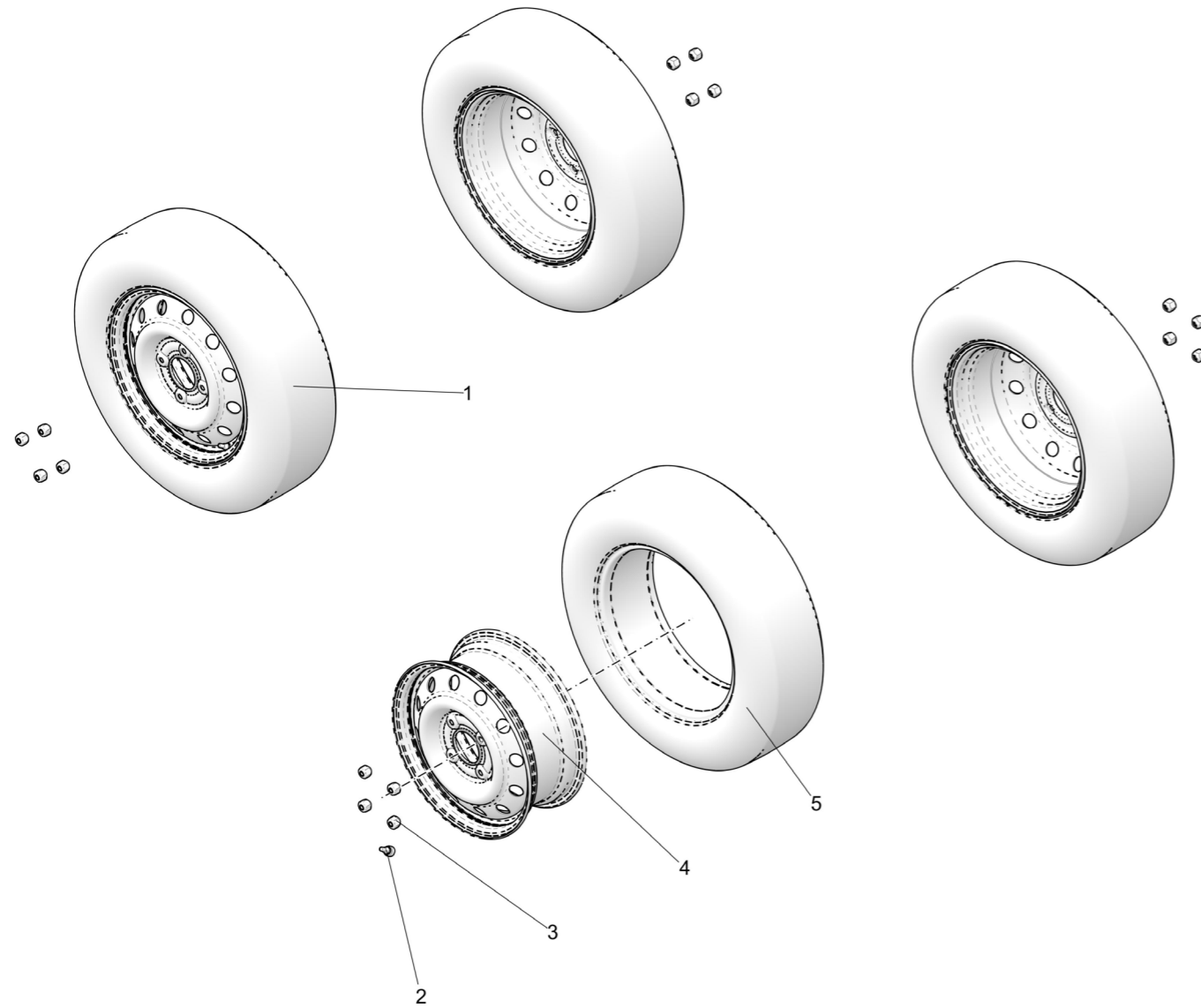
SUSPENSION, REAR RH SUSPENSION

Applies to 7456001-03 [7200178-01]

Ref.	Part No.	Qty	Part Description	Notes
1	107547104	1	NUT	
2	107555749	1	WASHER	
3	105810291	1	SPACE RUBBER	
4	105432872	1	PIVOT BALL TOP	
5	105132062	1	SPACER	
6	105432871	1	PIVOT BALL BOTTOM	
7	105243364	1	RETAINER-SPRING	
8	6207514	1	REAR SUSPENSION SPRING	
9	105412665	1	BUMPER	
10	6207672	1	SHOCK ABSORBER	
11	105211115	1	WASHER	
12	6207515	1	REAR TIE ROD	
13	107080510	2	GREASE NIPPLE	
14	105439874	4	BUSHING	
15	105138797	2	SHAFT PIVOT	
16	6004419	1	SUSPENSION TRIANGLE	
17	5205029	1	NUT	
18	5300103	1	WASHER	
19	105412658	1	BOOT BALL JOINT	
20	105211121	1	BRACKET BALL JOINT	
21	7140850	1	BALL JOINT	INCLUDES 17, 18, 19, 20 21
22	4150986	1	HUB COVER	
23	7140629	1	REAR HUB KIT	
24	6206105	4	STUD	
25	107710507	1	INTERNAL RING	
26	103514634	1	BEARING	
27	6207504	1	WHEEL CARRIER	
28	7140626	1	PREASSEMBLED WHEEL CARRIER	
29	7140628	1	PREASSEMBLED REAR SHOCK ABSORBER	
30	7140625	1	PREASSEMBLED SUSPENSION TRIANGLE	

WHEELS

Applies to 7456001-03 [7200182]



WHEELS

Applies to 7456001-03 [7200182]

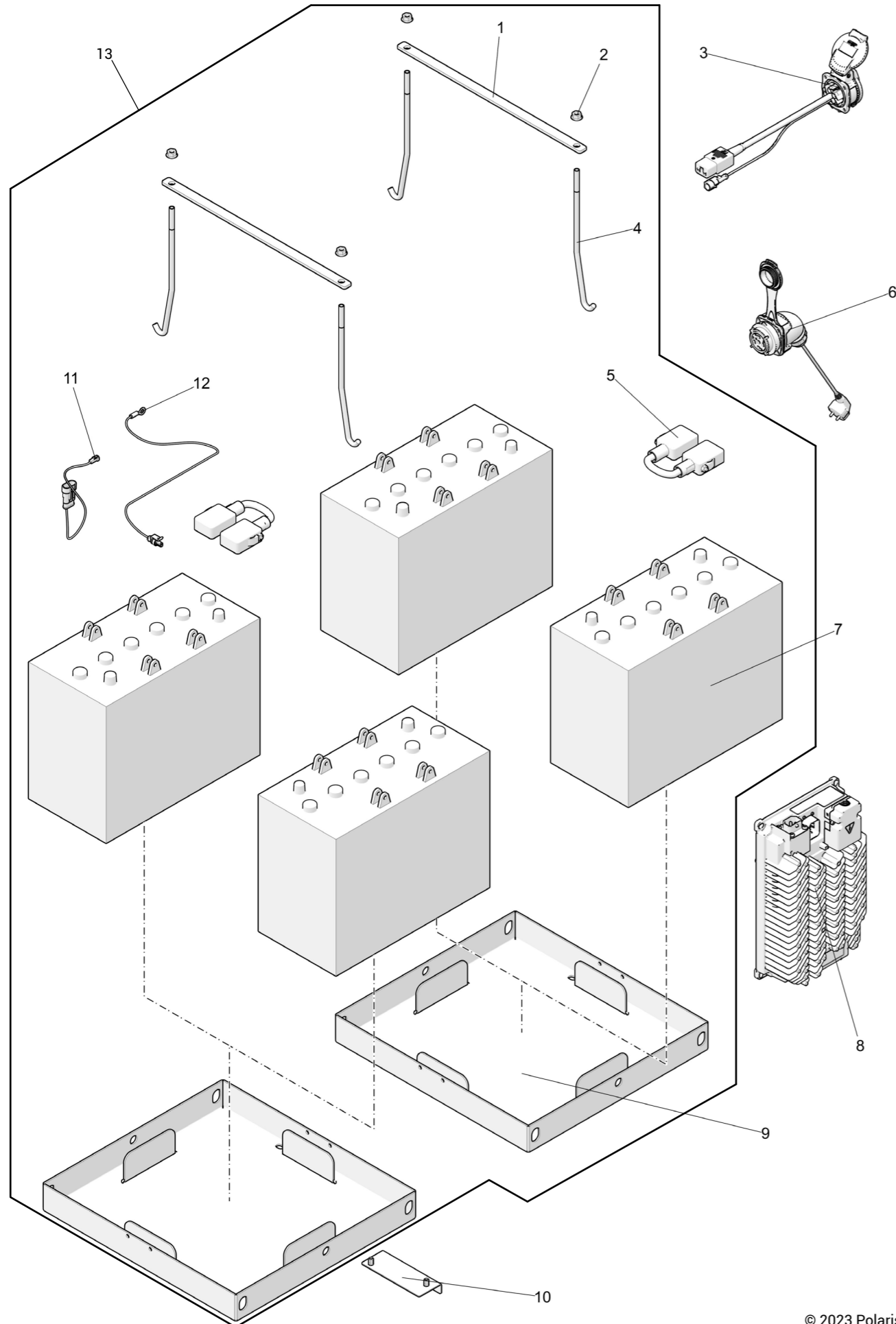
Ref.	Part No.	Qty	Part Description	Notes
1	4100051	4	WHEEL	
2	2101113	4	VALVE	
3	6110020	16	NUT	
4	2050155	4	RIM	
5	2050154	4	TIRE	

*OPTIONS*



OPTION, LEAD ACID BATTERY, 5.7KW

Applies to 7456001-03 [7306001-03]



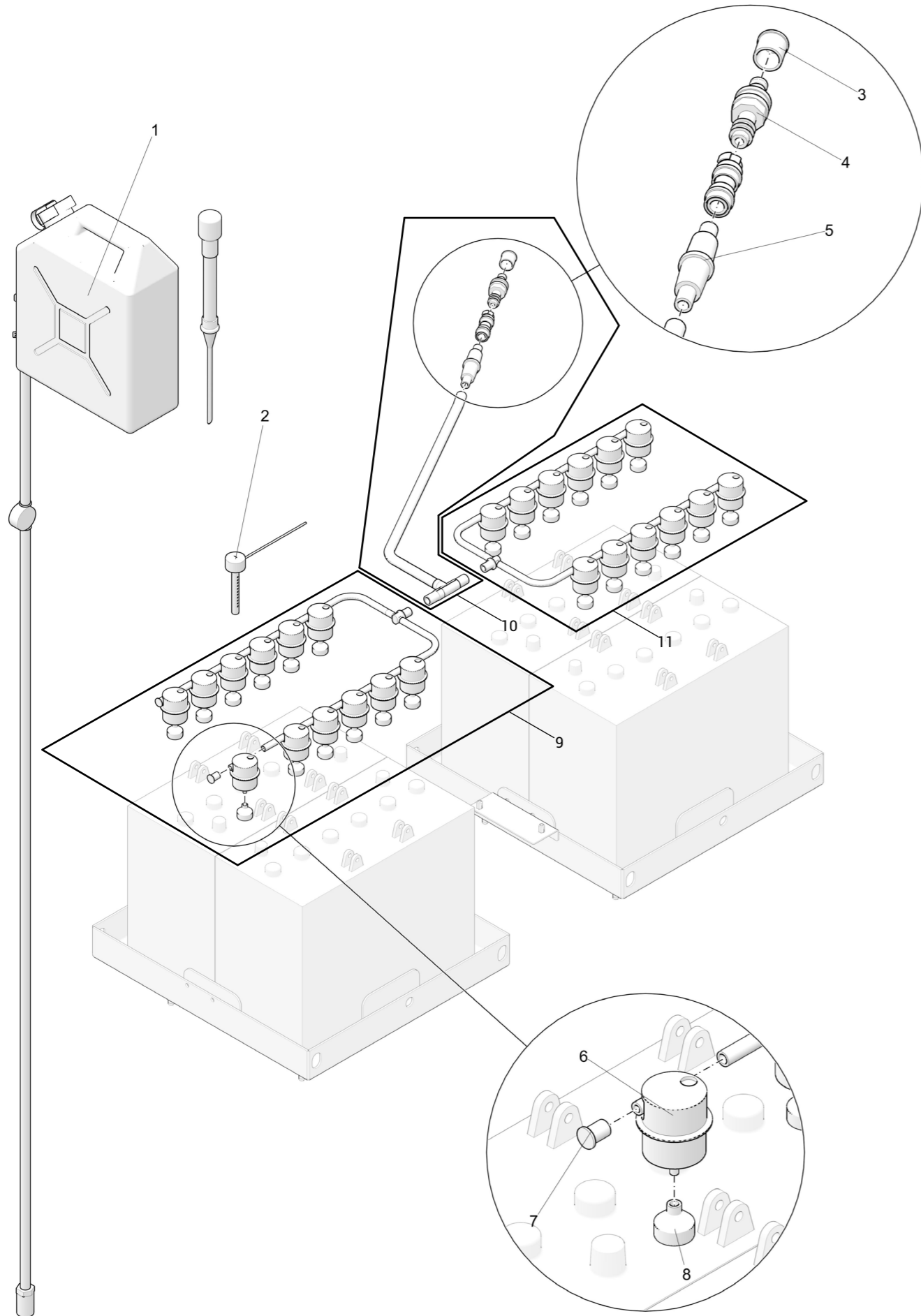
OPTION, LEAD ACID BATTERY, 5.7KW

Applies to 7456001-03 [7306001-03]

Ref.	Part No.	Qty	Part Description	Notes
1	6111948	2	FLANGE	
2	5205003	4	NUT	
3	6200789	1	CHARGER HARNESS	
4	6111852	4	THREADED SHAFT	
5	6301094	2	BATTERY BRIDGE	
6	6200539	1	FEMALE 5P 220V / 16A 0.4M	
7	3500273	4	BATTERY ELEMENT	
8	7140641	1	CHARGER	
9	6004732	2	BATTERY TRAY	
10	6004532	1	FUSE BRACKET FOR BATTERY	
11	6200791	1	ELECTROLYTE LEVEL HARNESS	
12	6301102	1	INTERCO HARNESS	
13	6201486	1	COMPLETE LEAD ACID BATTERY	CENTRAL FILLING INCLUDED
↓	1410202	1	CHARGER PARAMETER	

OPTION, LEAD ACID BATTERY, 5.7KW

Applies to 7456001-03 [7306001-03]

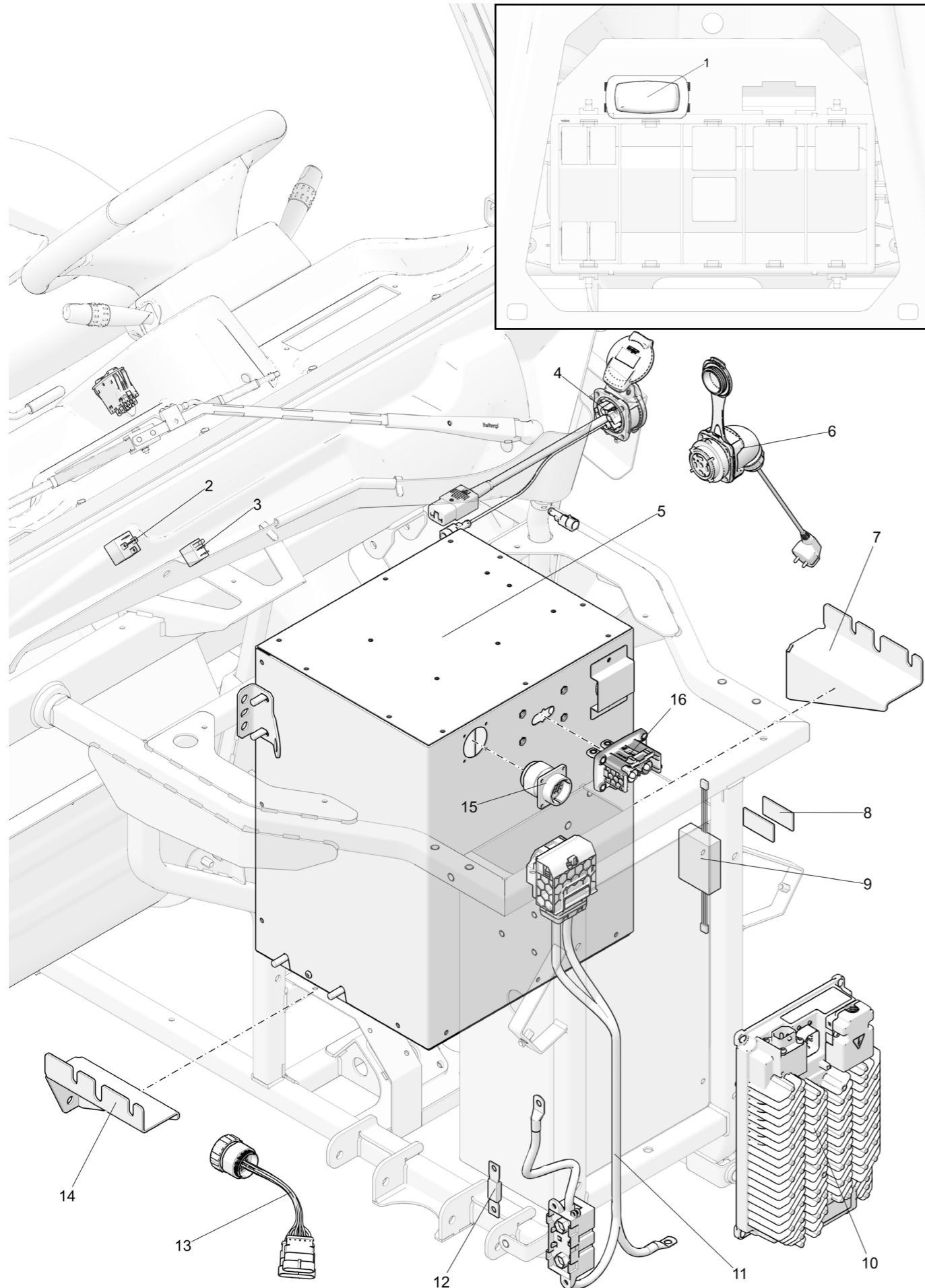


OPTION, LEAD ACID BATTERY, 5.7KW

Applies to 7456001-03 [7306001-03]

Ref.	Part No.	Qty	Part Description	Notes
1	7140421	1	CENTRAL FILLING DRUM WITH ACCESSORIES	
2	6201438	1	12 V WATER LEVEL SENSOR BATTERY	
3	4200128	1	OBTURATOR	
4	4200132	1	QUICK RELEASE MALE CONNECTOR	
5	4200131	1	FILTER	
6	4200504	24	FILLER CAP	
7	4200505	24	FLOAT	
8	4200127	4	WATER HOSE CAP	
9	7140670	1	CENTRAL FILLING LH	
10	6207708	1	CENTRAL FILLING MAIN HOSE	
11	7140671	1	CENTRAL FILLING RH	

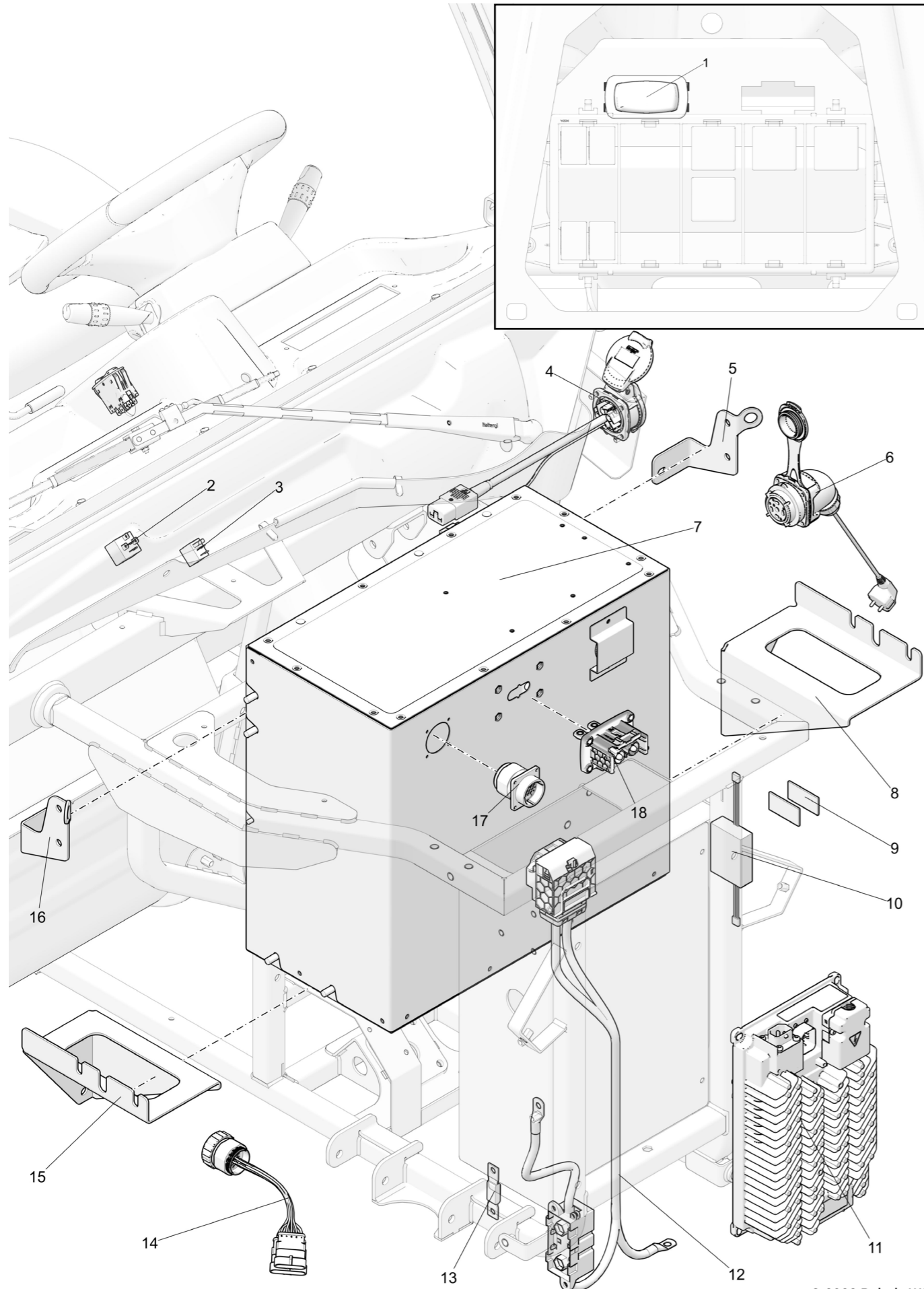
Applies to 7456001-03 [7306040-02]



Applies to 7456001-03 [7306040-02]

Ref.	Part No.	Qty	Part Description	Notes
1	3450545	1	SWITCH	
2	3450549	1	RELAY	
3	3450237	1	RELAY	
4	6200789	1	CHARGER HARNESS	
5	6207822	1	LITHIUM BATTERY 51.2V 100AH	
6	6200539	1	FEMALE 5P 220V / 16A 0.4M	
7	6111859	1	BATTERY BRACKET	
8	7001652	2	VELCRO	
9	7140707	1	OPTO-ISOLATOR	
10	3500314	1	CHARGER	
11	6207652	1	LITHIUM POWER HARNESS	
12	3450016	1	FUSE	
13	6200788	1	LITHIUM HARNESS	
14	6111858	1	BATTERY BRACKET	
15	2100789	1	EXTERNAL SIGNAL CONNECTOR AND CABLE	
16	2100794	1	DELPHI CONNECTOR (POWER OUTPUT)	
↓	1410204	1	CHARGER PARAMETER	

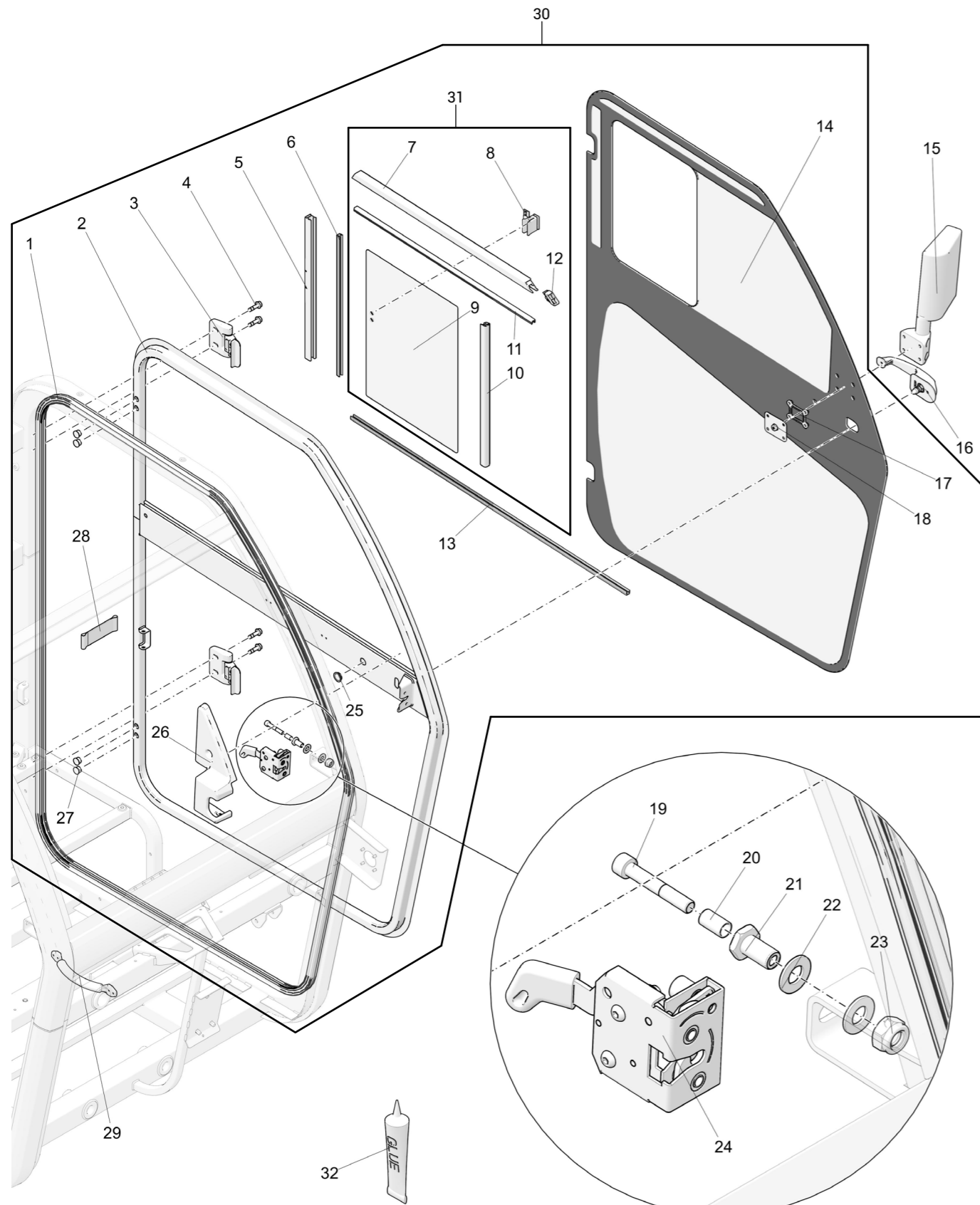
Applies to 7456001-03 [7306041-02]



Applies to 7456001-03 [7306041-02]

Ref.	Part No.	Qty	Part Description	Notes
1	3450545	1	SWITCH	
2	3450549	1	RELAY	
3	3450237	1	RELAY	
4	6200789	1	CHARGER HARNESS	
5	6111922	1	BATTERY BRACKET	
6	6200539	1	FEMALE 5P 220V / 16A 0.4M	
7	6207823	1	LITHIUM BATTERY 48V 180AH	
8	6111898	1	BATTERY BRACKET	
9	7001652	2	VELCRO	
10	7140707	1	OPTO-ISOLATOR	
11	3500314	1	CHARGER	
12	6207652	1	LITHIUM POWER HARNESS	
13	3450016	1	FUSE	
14	6200788	1	LITHIUM HARNESS	
15	6111897	1	BATTERY BRACKET	
16	6111899	1	BATTERY BRACKET	
17	2100789	1	EXTERNAL SIGNAL CONNECTOR AND CABLE	
18	2100794	1	DELPHI CONNECTOR (POWER OUTPUT)	
↓	1410204	1	CHARGER PARAMETER	

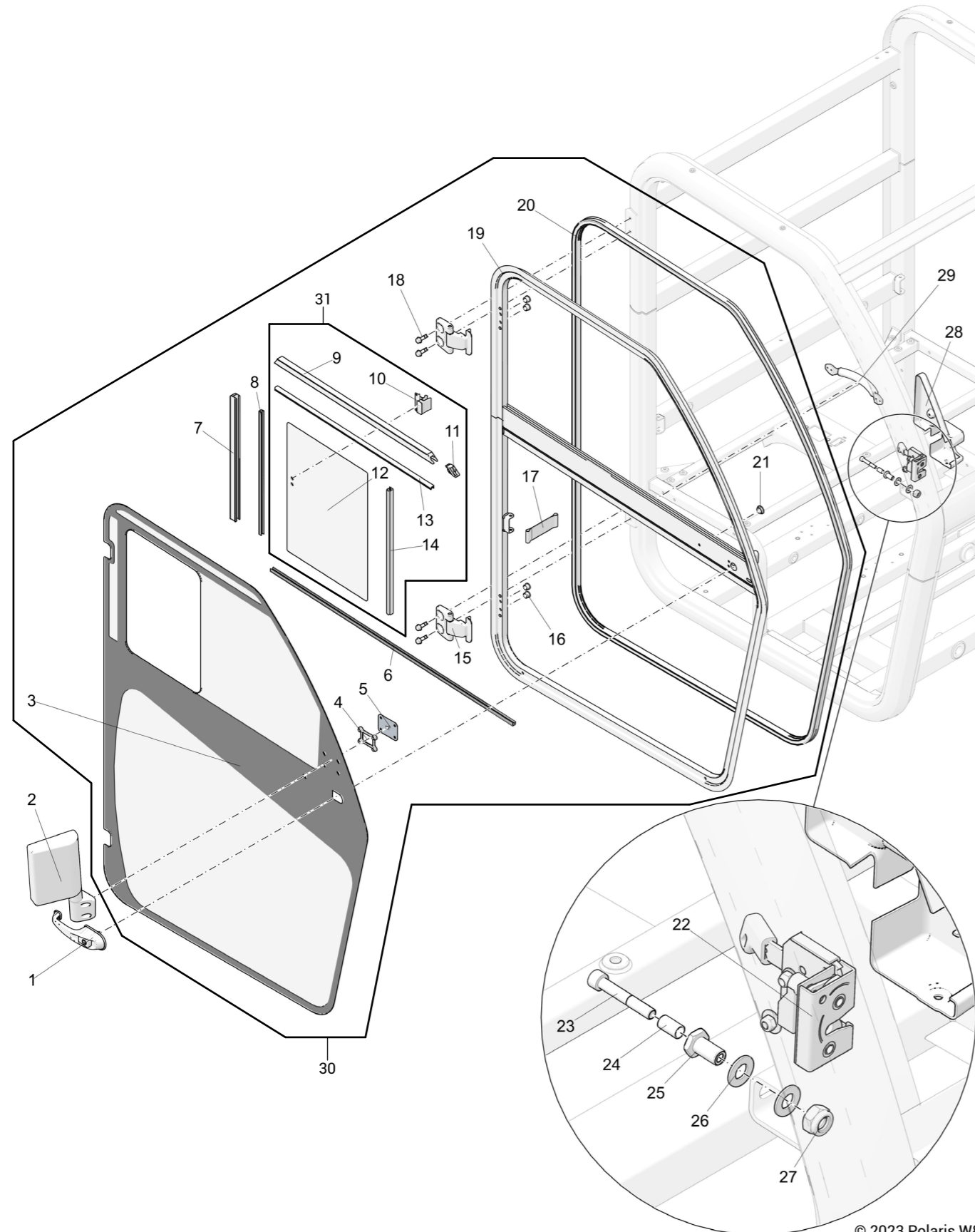
Applies to 7456001-03 [7306004-02]



Applies to 7456001-03 [7306004-02]

Ref.	Part No.	Qty	Part Description	Notes
1	7002480	1	DOOR SEAL	
2	6004442	1	LH DOOR FRAME	
3	127MP960-9005	2	DOOR HINGE	
4	5055026	4	SCREW	
5	6111728	1	LH VERTICAL GUIDE RAIL	
6	7002481	1	GLASS SLIDE	
7	6111727	1	LH UPPER GUIDE RAIL	
8	4151001	1	SLIDING WINDOW CLOSURE	
9	6207527	1	SLIDING GLASS	
10	7002425	1	WINDOW WIPER GROUT	
11	7002482	1	GLASS SLIDE	
12	6200585	1	SLIDING WINDOW STOP	
13	7002483	1	GLASS SLIDE	
14	6207524	1	FIX GLASS LH DOOR	
15	4150005	1	EXTERNAL LH REAR VIEW MIRROR	
16	4151048	1	EXT DOOR HANDLE + BARREL + KEY	
17	6207380	1	MIRROR BASE	
18	6005012	1	MIRROR COUNTER PLATE	
19	5000023	1	BOLT	
20	127MP065	1	RING	
21	127MP064A	1	DOOR STRIKER PIN	
22	5300003	2	WASHER	
23	5150002	1	LOCK NUT	
24	127MP063	1	LEFT DOOR LOCK	
25	4151129	1	PLUG	
26	6207540	1	LH LOCK COVER	
27	4150620	4	BLACK PLUG	
28	6200584	1	STRAP HOLDER	
29	4150979	1	INSIDE HANDLE	
30	7140644	1	LH DOOR ASSEMBLY	LOCK, LOCK COVER, DOOR STRIKE, MIRROR ELEMENTS AND STRAP HOLDER ARE NOT INCLUDED
31	7140646	1	SLIDING LEFT GLASS KIT	
32	7140555	1	WINDOWS GLUE KIT	

Applies to 7456001-03 [7306004-02]

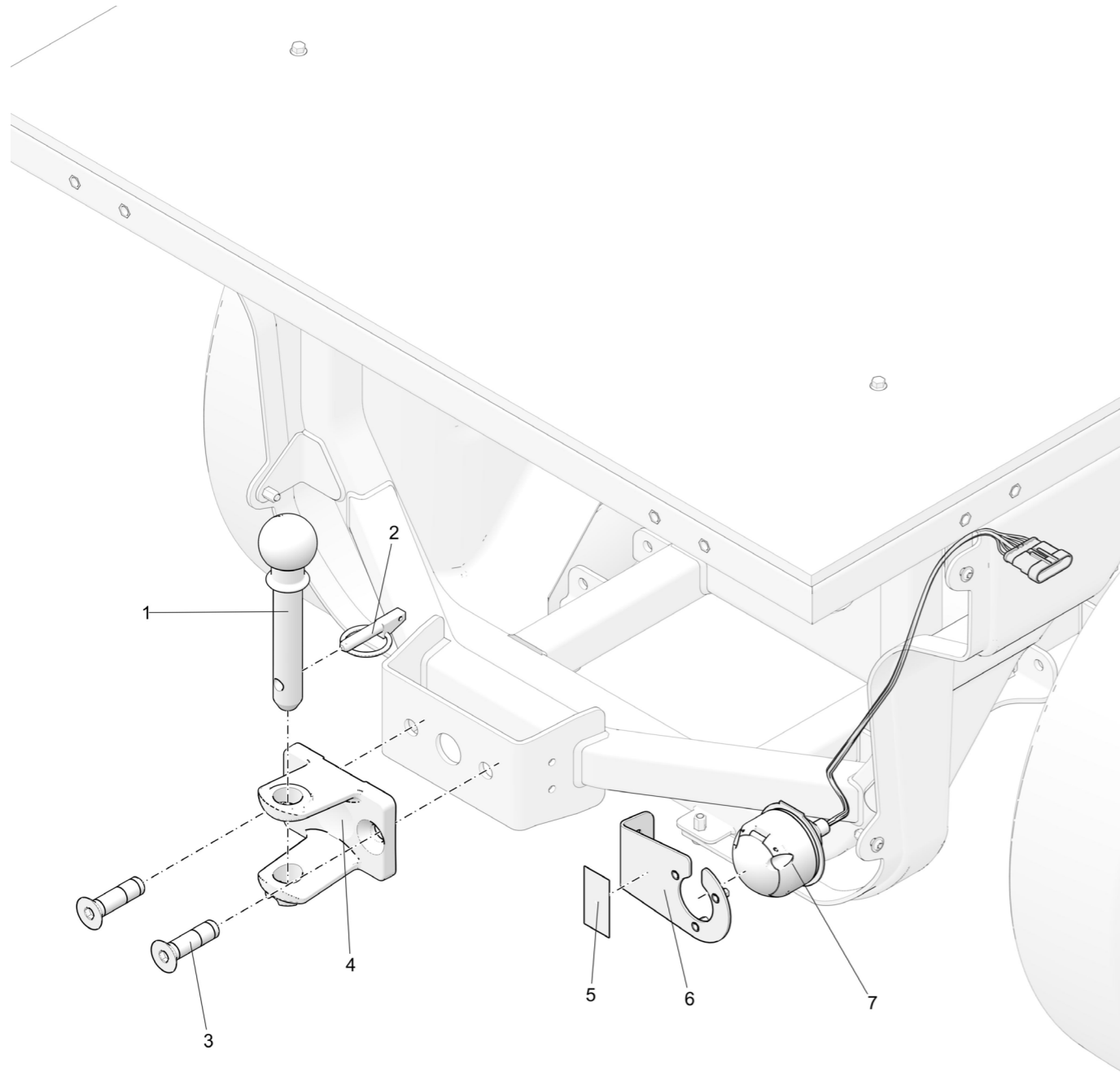


Applies to 7456001-03 [7306004-02]

Ref.	Part No.	Qty	Part Description	Notes
1	4151048	1	EXT DOOR HANDLE + BARREL + KEY	
2	4150006	1	EXTERNAL RH REAR VIEW MIRROR	
3	6207525	1	FIX GLASS RH DOOR	
4	6207380	1	MIRROR BASE	
5	6005012	1	MIRROR COUNTER PLATE	
6	7002483	1	GLASS SLIDE	
7	6111730	1	RH VERTICAL GUIDE RAIL	
8	7002481	1	GLASS SLIDE	
9	6111729	1	RH UPPER GUIDE RAIL	
10	4151001	1	SLIDING WINDOW CLOSURE	
11	6200585	1	SLIDING WINDOW STOP	
12	6207529	1	RH SLIDING GLASS	
13	7002482	1	GLASS SLIDE	
14	7002426	1	WINDOW WIPER GROUT	
15	127MP960-9005	2	DOOR HINGE	
16	4150620	4	BLACK PLUG	
17	6200584	1	STRAP HOLDER	
18	5055026	4	SCREW	
19	6004443	1	RH DOOR FRAME	
20	7002480	1	DOOR SEAL	
21	4151129	1	PLUG	
22	127MP062	1	RIGHT DOOR LOCK	
23	5000023	1	BOLT	
24	127MP065	1	RING	
25	127MP064A	1	DOOR STRIKER PIN	
26	5300003	2	WASHER	
27	5150002	1	LOCK NUT	
28	6207541	1	RH LOCK COVER	
29	4150979	1	INSIDE HANDLE	
30	7140645	1	RH DOOR ASSEMBLY	LOCK, LOCK COVER, DOOR STRIKE, MIRROR ELEMENTS AND STRAP HOLDER ARE NOT INCLUDED
31	7140647	1	SLIDING RIGHT GLASS KIT	

OPTION, TOW HOOK

Applies to 7456001-03 [7306005-01]



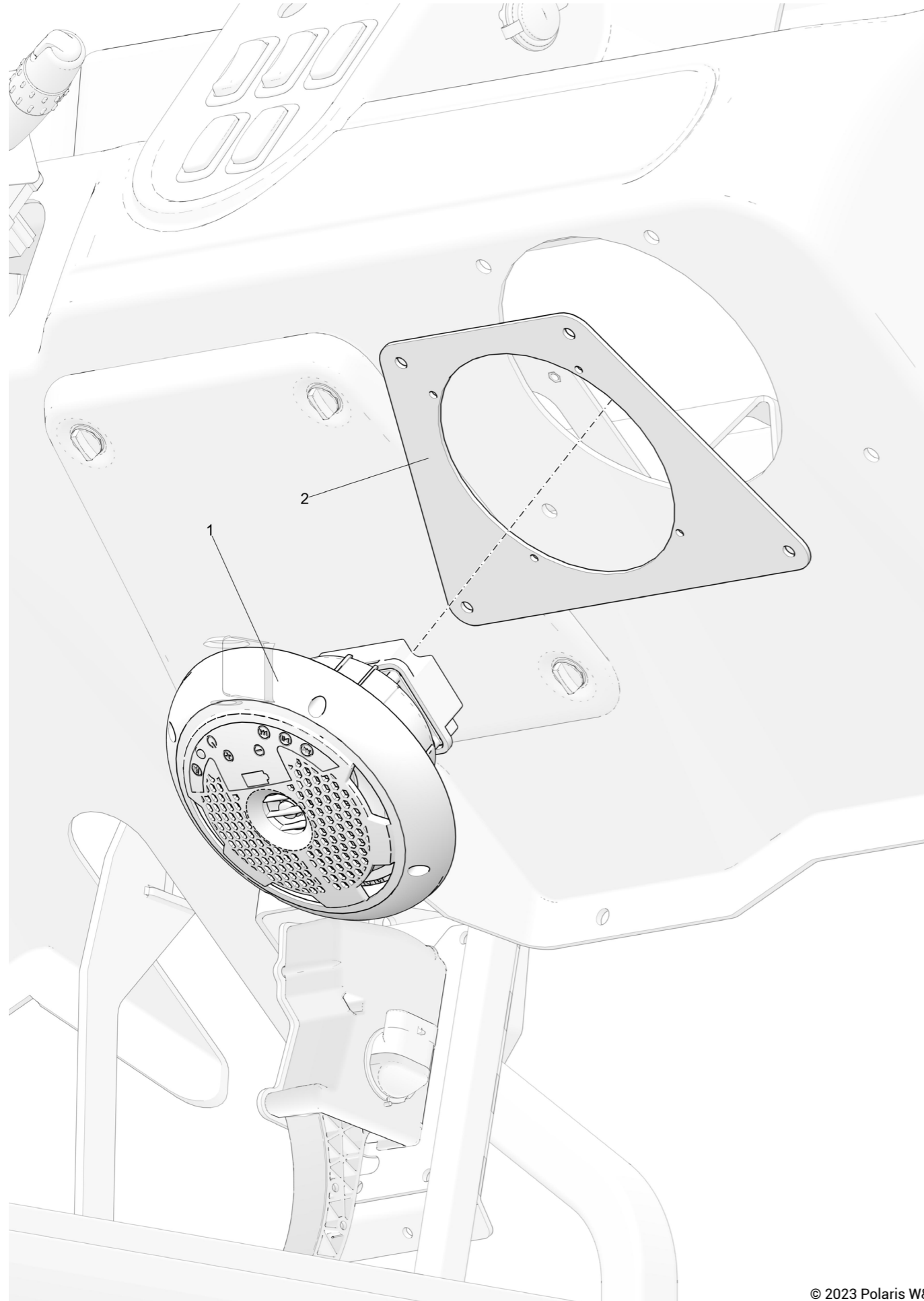
OPTION, TOW HOOK

Applies to 7456001-03 [7306005-01]

Ref.	Part No.	Qty	Part Description	Notes
1	2100026	1	ROD AND BALL	
2	2100027	1	PIN	
3	5105096	2	SCREW	
4	4200456	1	COUPLING BALL WITH COVER	
5	6500578	1	TOWING HOOK STICKER	
6	6004437	1	SOCKET BRACKET	
7	6207648	1	TOW HOOK HARNESS + CONNECTOR	

OPTION, BLUETOOTH SPEAKER

Applies to 7456001-03 [7306008-01]



OPTION, BLUETOOTH SPEAKER

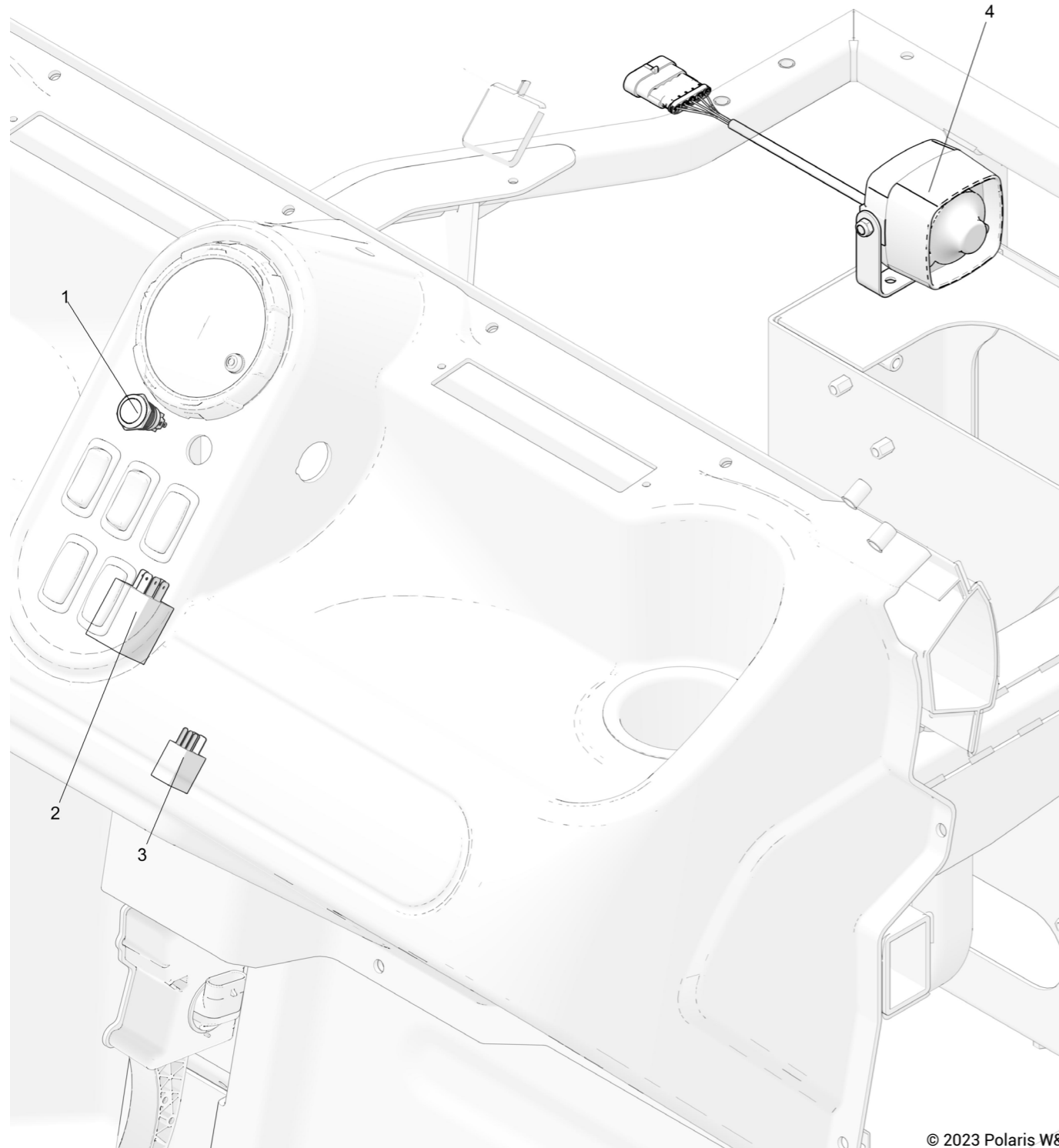
Applies to 7456001-03 [7306008-01]

Ref.	Part No.	Qty	Part Description	Notes
1	7102244	1	BLUETOOTH SPEAKER	
2	6111924	1	SPEAKER BRACKET	



OPTION, BUZZER

Applies to 7456001-03 [7306009-01]



© 2023 Polaris W&T

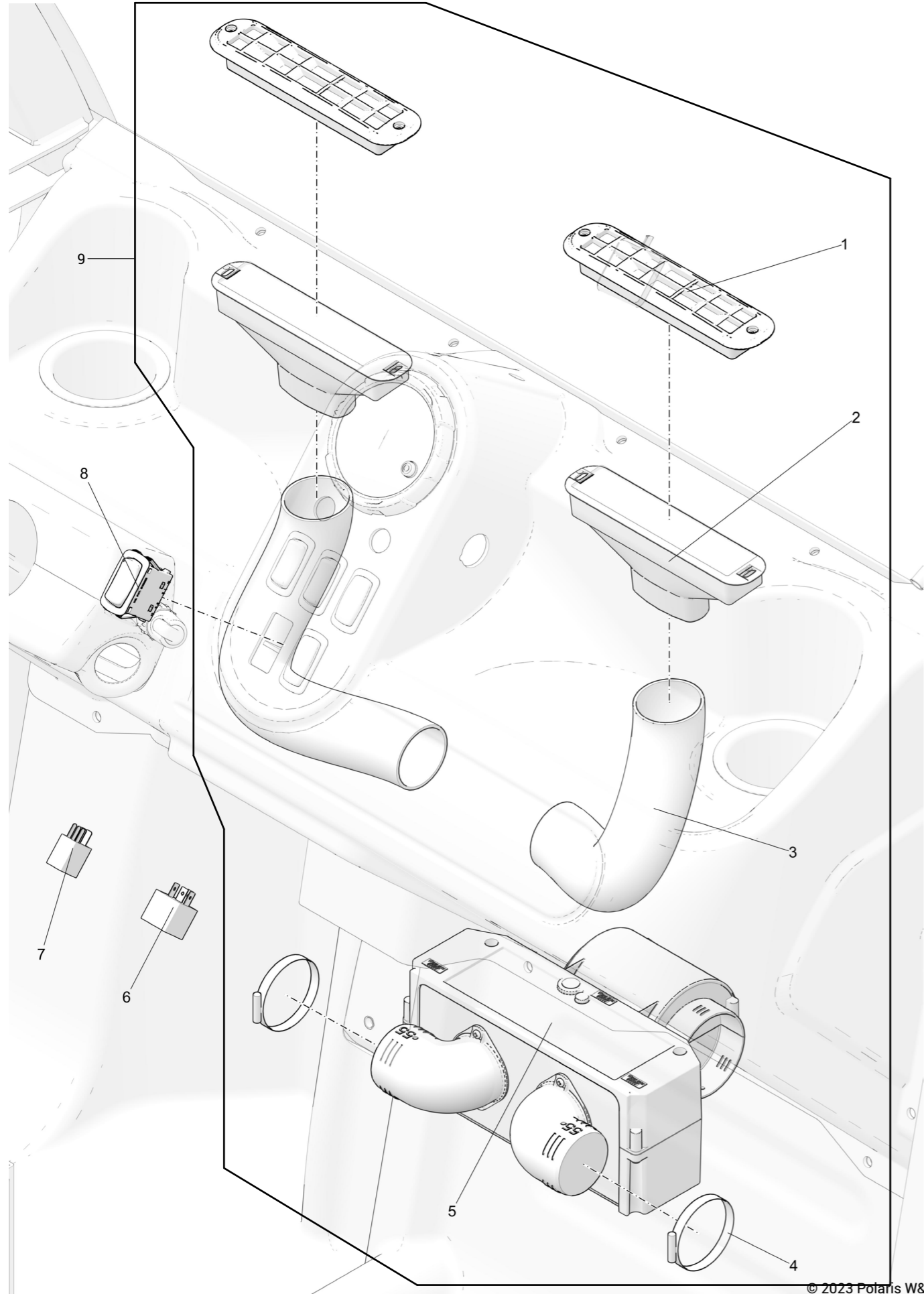
OPTION, BUZZER

Applies to 7456001-03 [7306009-01]

Ref.	Part No.	Qty	Part Description	Notes
1	3450668	1	PUSHBUTTON	
2	3450378	1	RELAY	
3	3450237	1	MICRO RELAY 12V	
4	6206072	1	FORWARD / REVERSE BUZZER	

OPTION, ELECTRIC HEATER

Applies to 7456001-03 [7306010]



© 2023 Polaris W&T

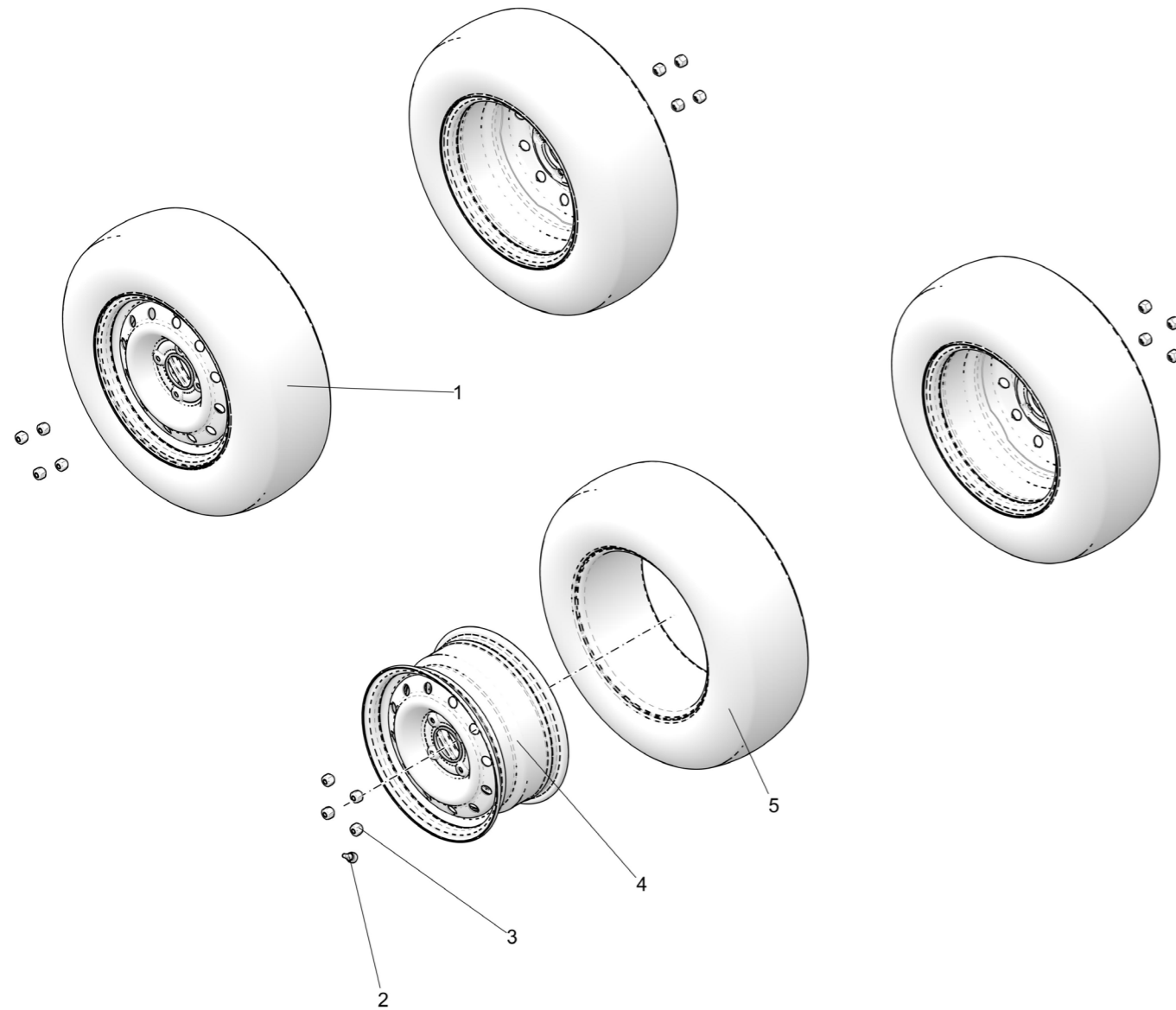
OPTION, ELECTRIC HEATER

Applies to 7456001-03 [7306010]

Ref.	Part No.	Qty	Part Description	Notes
1	2101087	2	DEFOGGING GRILL	
2	2101088	2	CARP TAIL	
3	7002485	2	HEATING SHEATH	
4	2101089	2	COLLAR	
5	2101086	1	ELECTRICAL HEATER	
6	3450436	1	RELAY	
7	3450237	1	MICRO RELAY	
8	3450546	1	SWITCH	
9	3500270	1	ELECTRICAL HEATER KIT	

OPTION, LOW PRESSURE WHEELS

Applies to 7456001-03 [7306011]



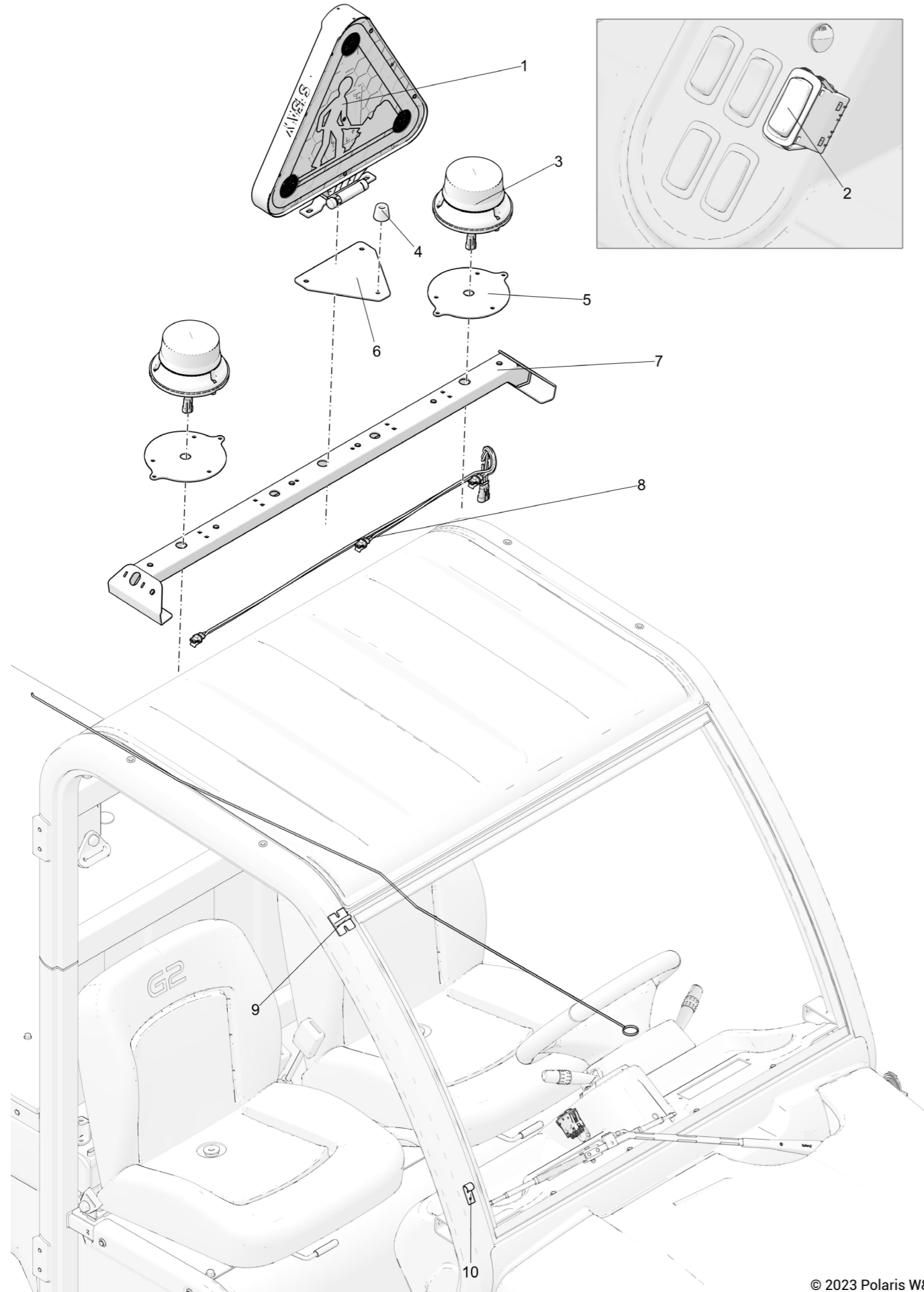
OPTION, LOW PRESSURE WHEELS

Applies to 7456001-03 [7306011]

Ref.	Part No.	Qty	Part Description	Notes
1	6207505	4	WHEEL	
2	101525017	4	VALVE RIM	
3	6110020	16	NUT	
4	2050157	4	RIM	
5	2050156	4	TIRE	

OPTION, ROOF BAR, MEN AT WORK TRIANGLE (AK5), 2 FLASHLIGHTS

Applies to 7456001-03 [7306015-02]



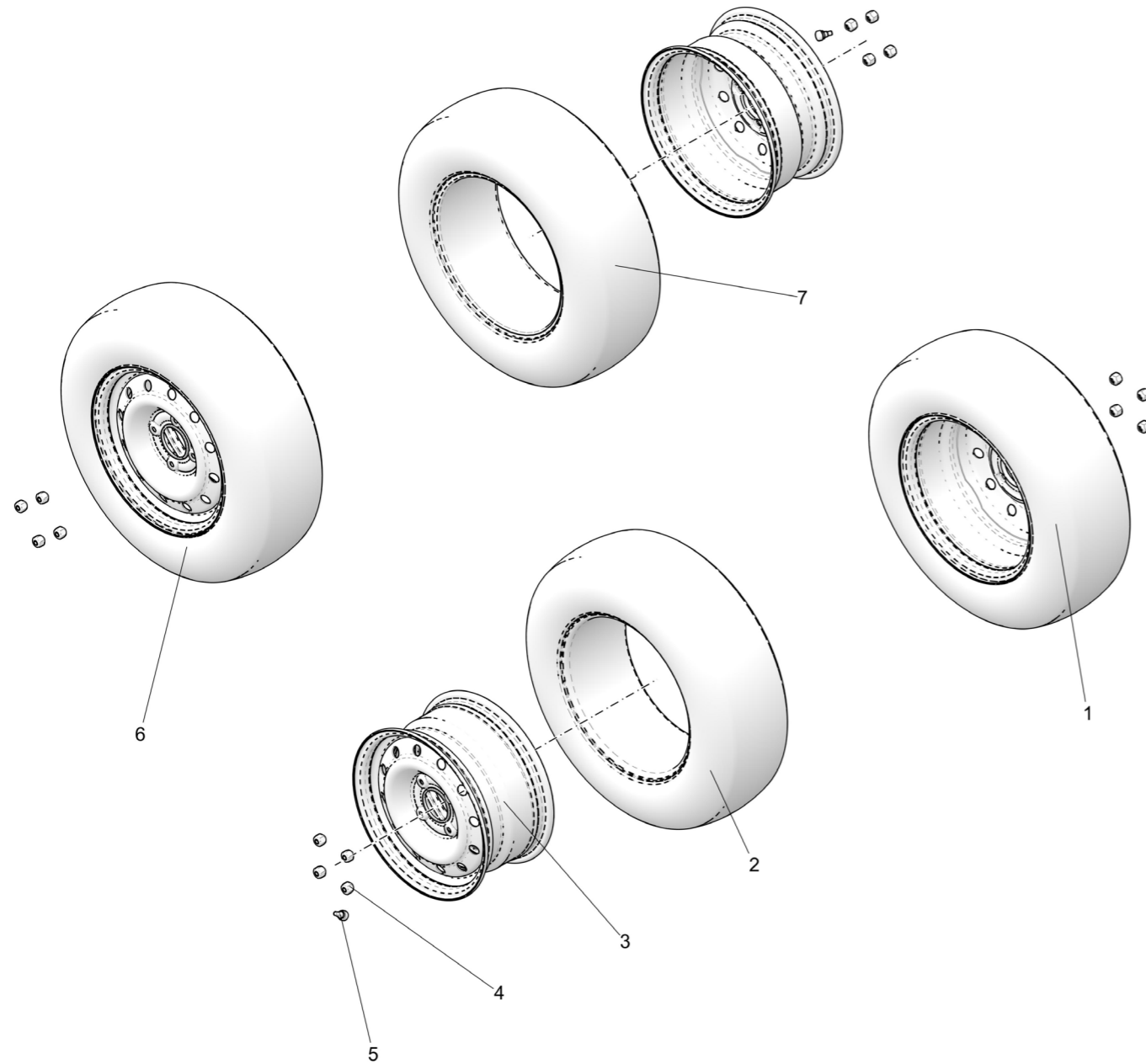
OPTION, ROOF BAR, MEN AT WORK TRIANGLE (AK5), 2 FLASHLIGHTS

Applies to 7456001-03 [7306015-02]

Ref.	Part No.	Qty	Part Description	Notes
1	3500296	1	WARNING TRIANGLE WITH LEDS	FOLD BACK KIT INCLUDED
2	3450543	1	SWITCH	
3	6207651	2	BEACON LIGHT ASSEMBLY	
4	4150614	1	ELASTOMER BASE	
5	6109833	2	SUPPORT	
6	6111209	1	SUPPORT	
7	6004441	1	ROOF BAR	
8	6207694	1	ROOF BAR HARNESS	
9	4150264	1	FOLD BACK KIT	
10	4150058	1	TARPAULIN HOOK	

OPTION, WINTER TIRES

Applies to 7456001-03 [7306016-01]



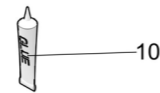
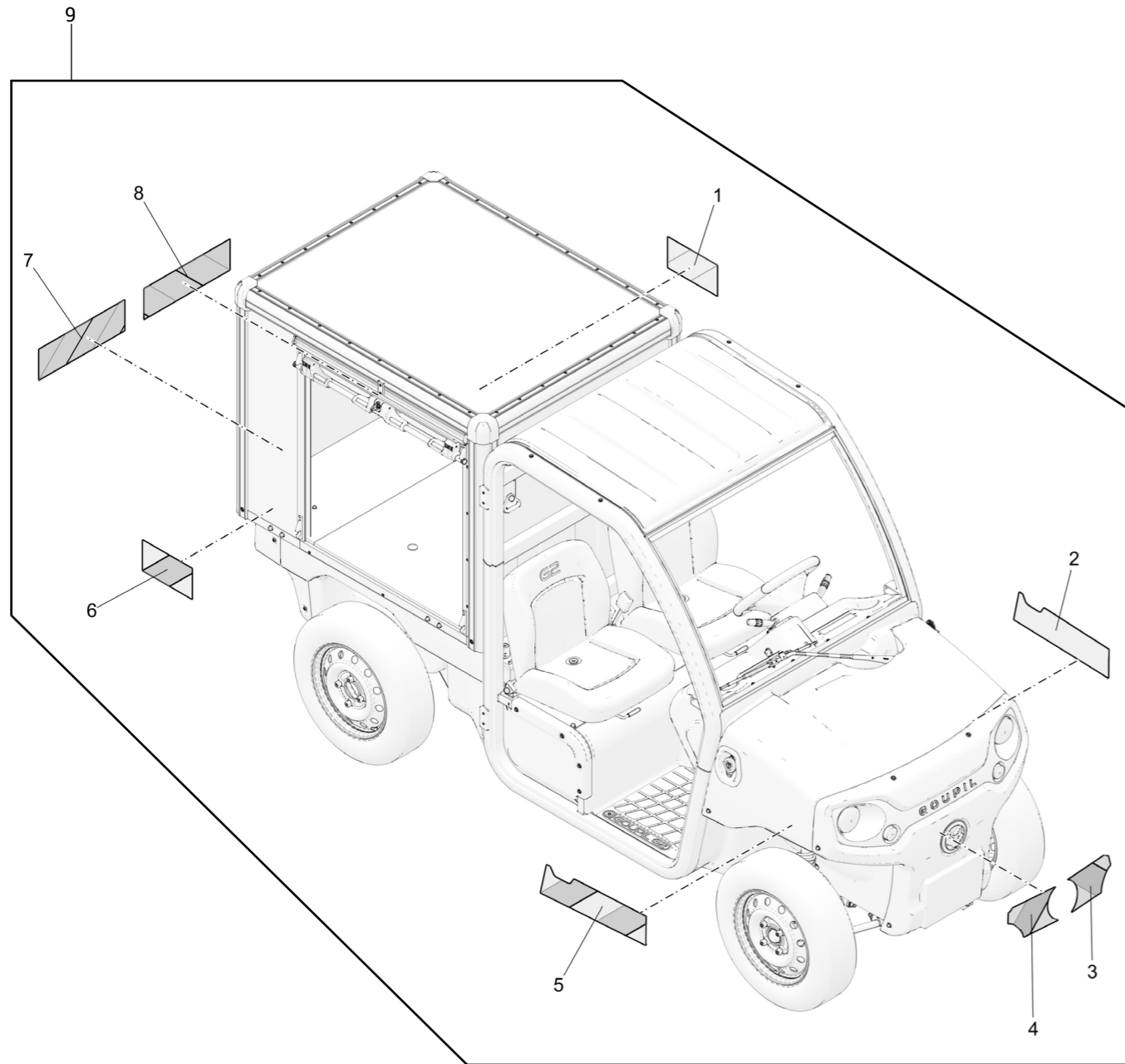
OPTION, WINTER TIRES

Applies to 7456001-03 [7306016-01]

Ref.	Part No.	Qty	Part Description	Notes
1	4100063	2	LH WHEEL	
2	2050171	2	LH TIRE	
3	2050155	4	RIM	
4	6110020	16	NUT	
5	101525017	4	VALVE RIM	
6	4100068	2	RH WHEEL	
7	2050176	2	RH TIRE	

OPTION, CLASS 2 REFLECTIVE BANDS

Applies to 7456001-03 [7306017]



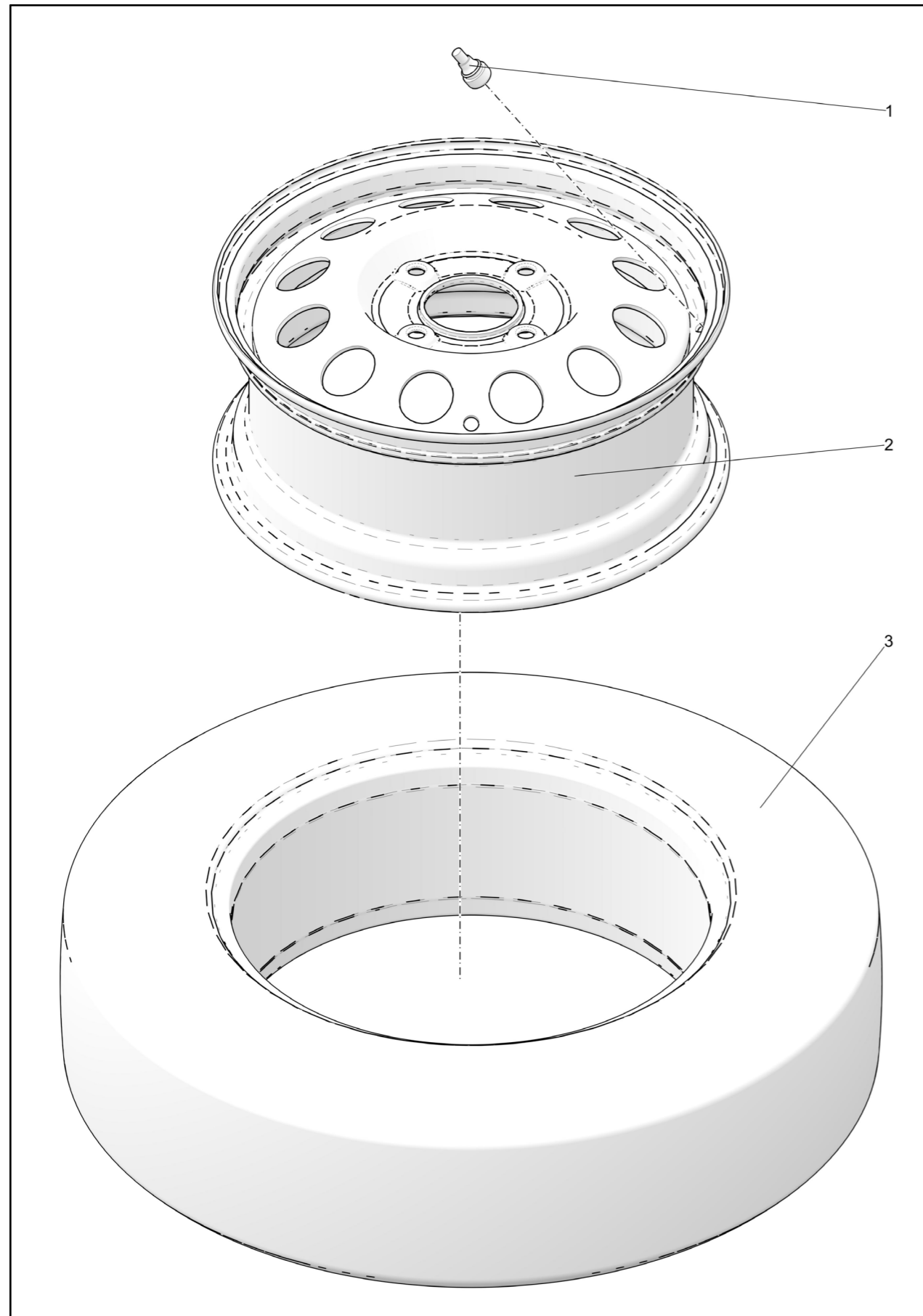
OPTION, CLASS 2 REFLECTIVE BANDS

Applies to 7456001-03 [7306017]

Ref.	Part No.	Qty	Part Description	Notes
1	2101453	1	STICKER	
2	2101454	1	STICKER	
3	2101455	1	STICKER	
4	2101456	1	STICKER	
5	2101457	1	STICKER	
6	2101458	1	STICKER	
7	2101459	1	STICKER	
8	2101460	1	STICKER	
9	6500602	1	FULL STICKER KIT	
10	8540186	1	DEGREASER	

OPTION, SPARE WHEEL

Applies to 7456001-03 [7306018]



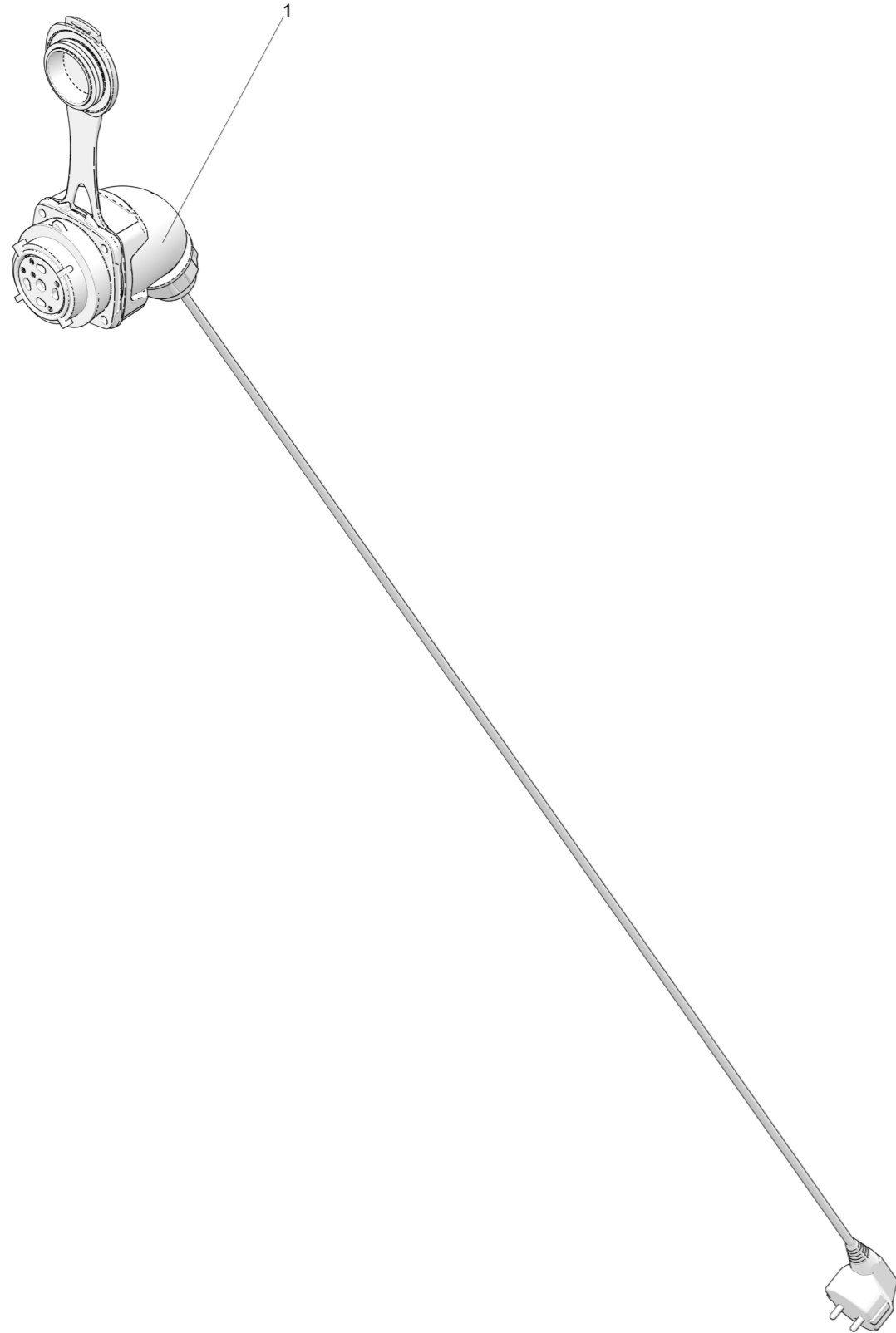
OPTION, SPARE WHEEL

Applies to 7456001-03 [7306018]

Ref.	Part No.	Qty	Part Description	Notes
1	2101113	1	VALVE	
2	2050155	1	RIM	
3	2050154	1	TIRE	
4	4100051	1	WHEEL	

OPTION, ELECTRICAL EXTENSION 5M

Applies to 7456001-03 [7306021]



OPTION, ELECTRICAL EXTENSION 5M

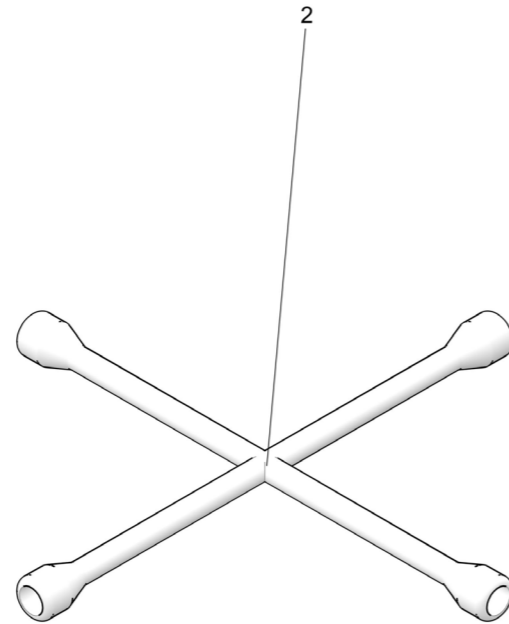
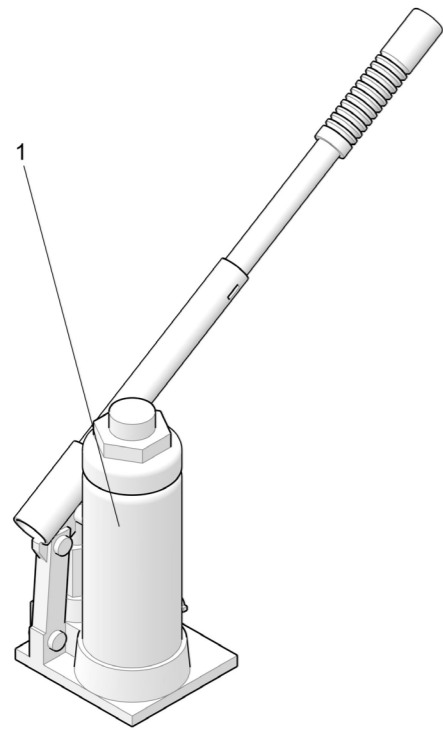
Applies to 7456001-03 [7306021]

Ref.	Part No.	Qty	Part Description	Notes
1	6200758	1	FEMALE CHARGING CABLE 5M	



OPTION, JACK AND CRANK

Applies to 7456001-03 [7306025]

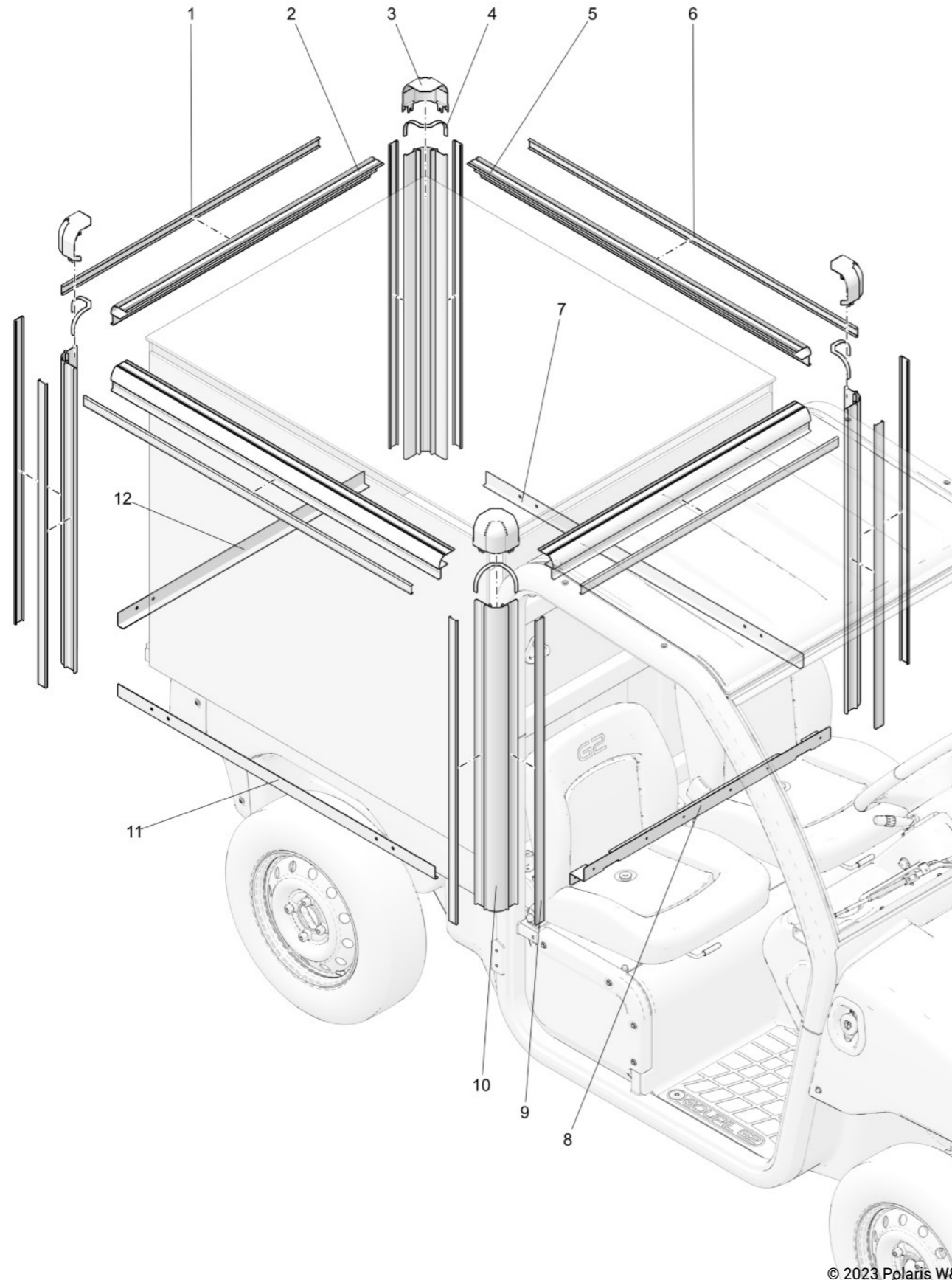


OPTION, JACK AND CRANK

Applies to 7456001-03 [7306025]

Ref.	Part No.	Qty	Part Description	Notes
1	4200309	1	BOTTLE JACK	
2	4200387	1	CRANK	

Applies to 7456001-03 [7306027-01]



© 2023 Polaris W&T

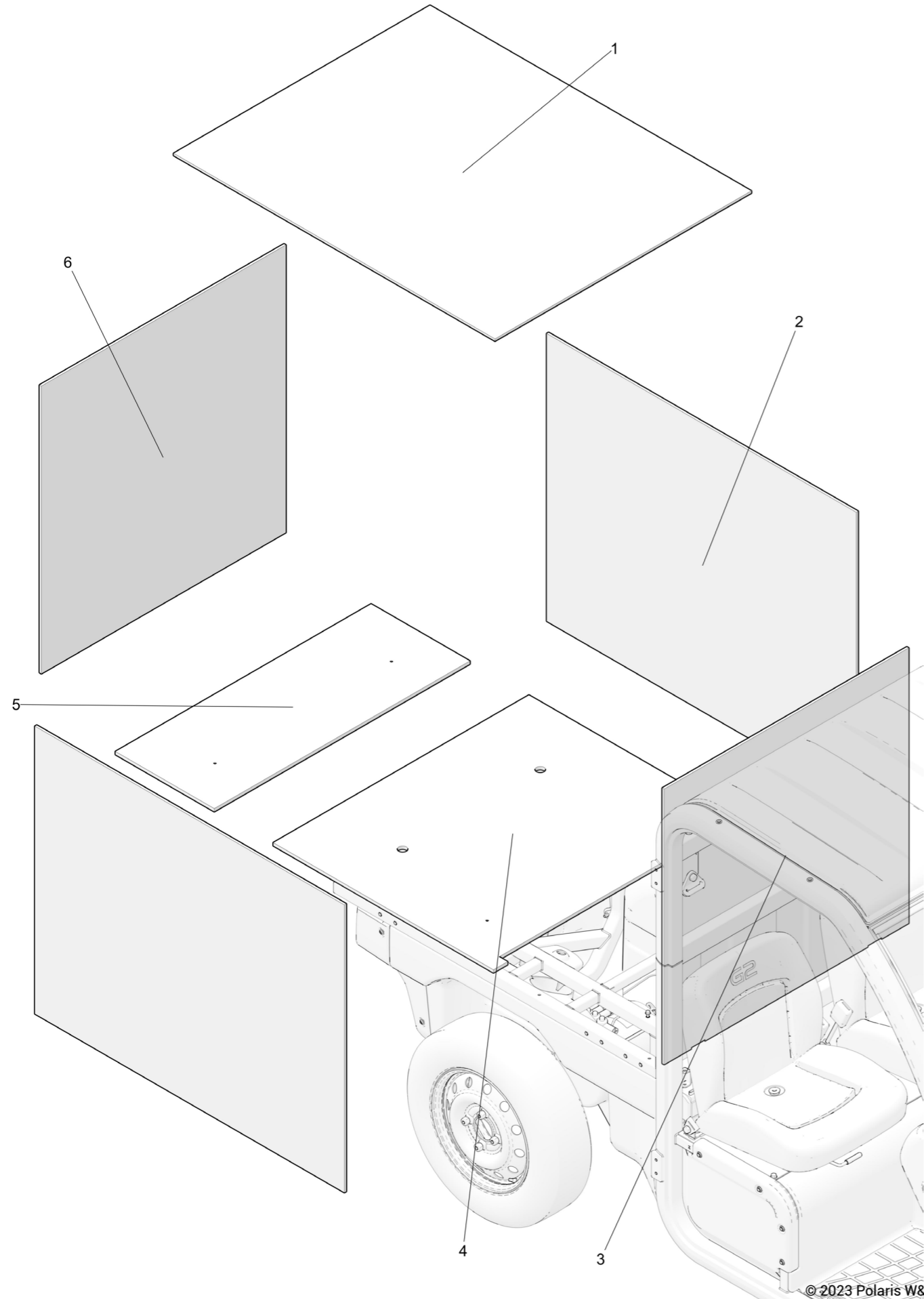
OPTION, VAN

Applies to 7456001-03 [7306027-01]

Ref.	Part No.	Qty	Part Description	Notes
1	7002437	2	FRONT/REAR ROOF FINISHING PROFILED SECTION	
2	7002436	2	FRONT/REAR ROOF PROFILED SECTION	
3	4250046	4	CORNER PROTECTION	
4	7001062	4	TAR SEAL	
5	7002438	2	LH/RH ROOF PROFILED SECTION	
6	7002439	2	LH/RH ROOF FINISHING PROFILED SECTION	
7	6112100	1	LH ANGLE BRACKET	
8	6112099	1	Z PROFILED SECTION	
9	7002434	8	ANGLE FINISHING PROFILED SECTION	
10	7002433	4	ANGLE PROFILED SECTION	
11	6112101	1	RH ANGLE BRACKET	
12	6112102	1	REAR ANGLE BRACKET	

OPTION, VAN

Applies to 7456001-03 [7306027-01]



© 2023 Polaris W&T

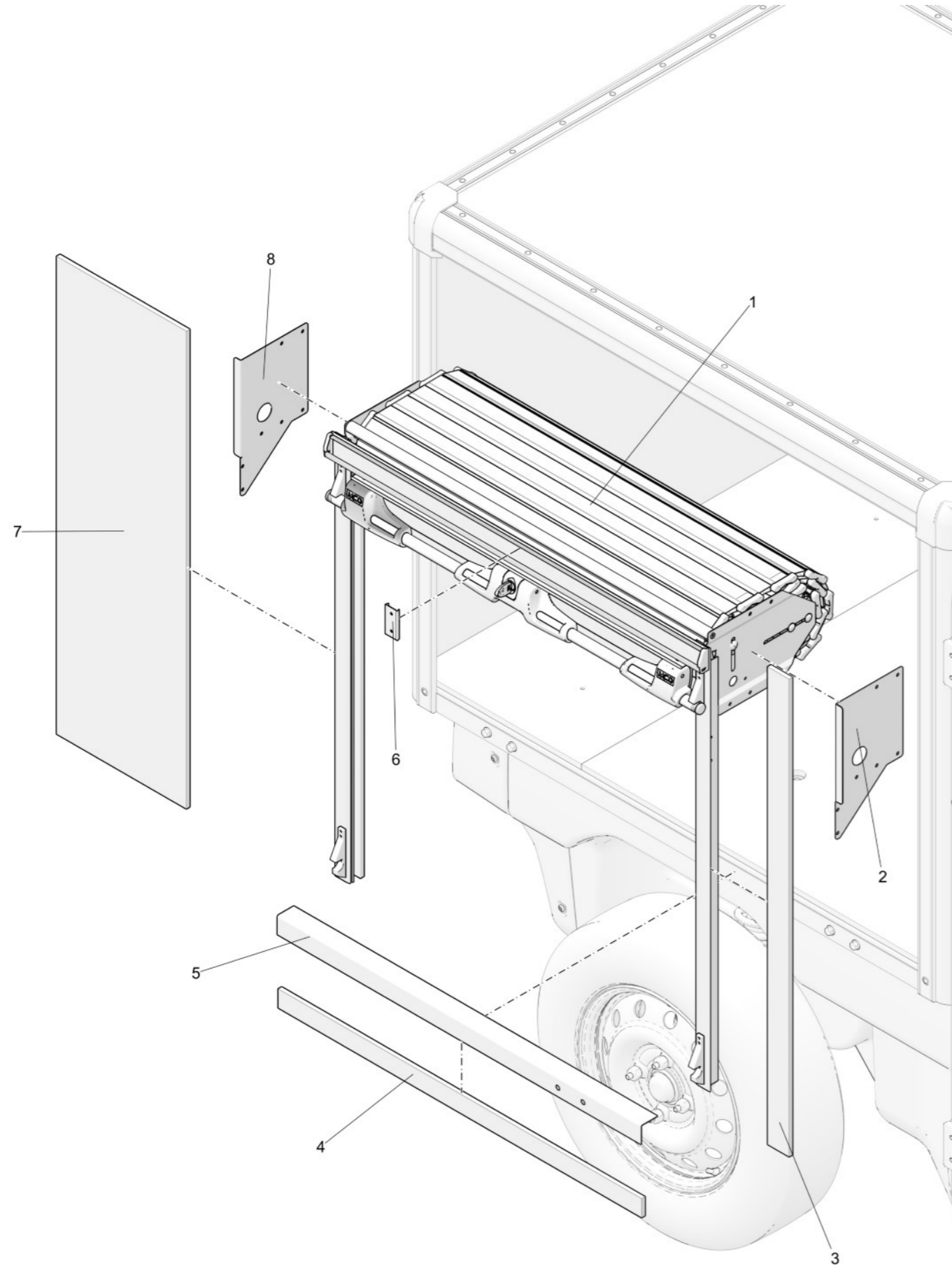
OPTION, VAN

Applies to 7456001-03 [7306027-01]

Ref.	Part No.	Qty	Part Description	Notes
1	7002435	1	VAN ROOF	
2	7002431	2	LH/RH PANEL	
3	7002427	1	FRONT PANEL	
4	6112103	1	FLOOR	
5	6112104	1	FLOOR	
6	7002440	1	REAR PANEL	

OPTION, RIGHT SHUTTER

Applies to 7456001-03 [7306028]



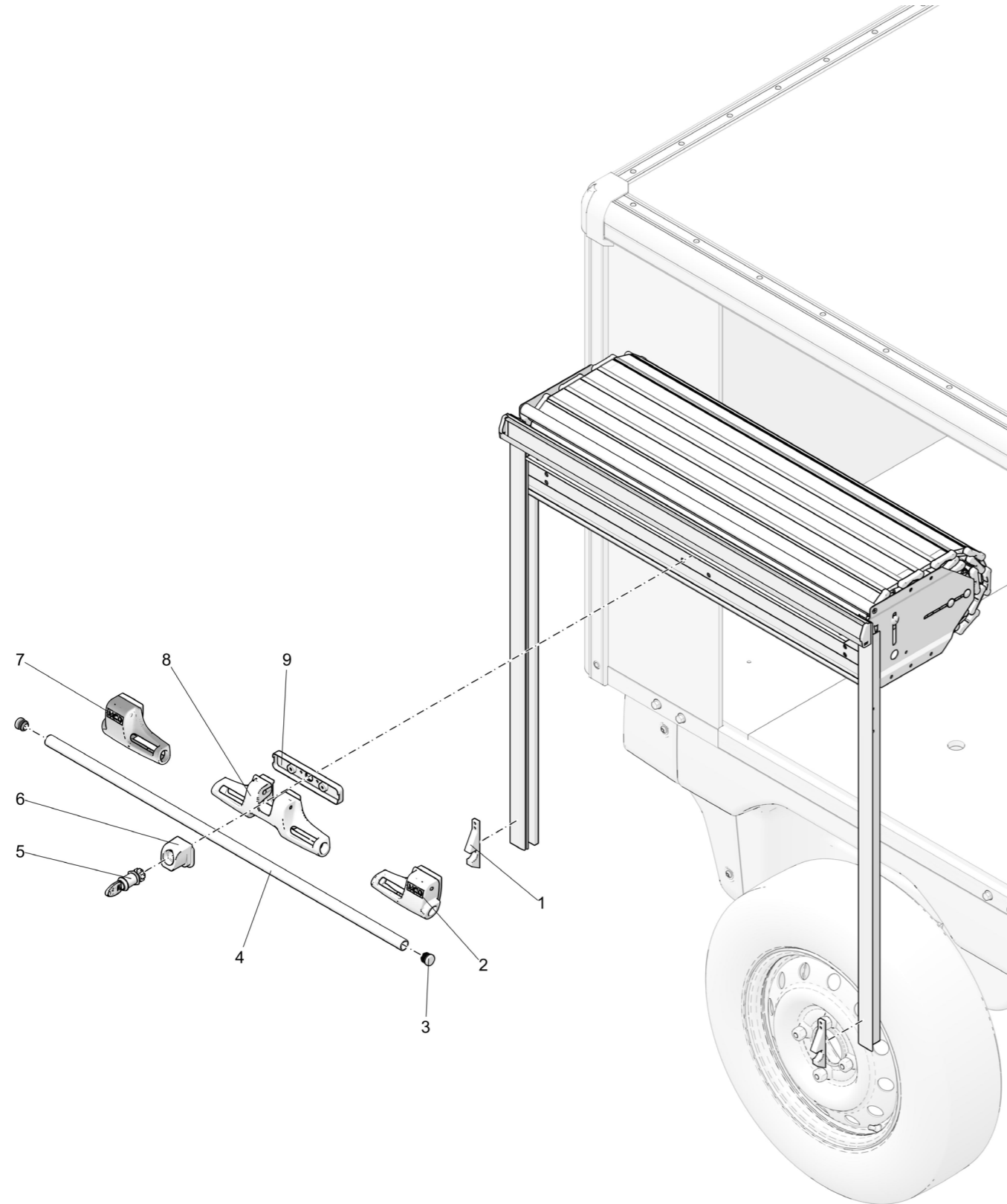
OPTION, RIGHT SHUTTER

Applies to 7456001-03 [7306028]

Ref.	Part No.	Qty	Part Description	Notes
1	6207546	1	CURTAIN	
2	6106168	1	REINFORCING GUSSET	
3	7002446	1	FRONT CURTAIN PANEL	
4	7002444	1	CURTAIN WEDGE	
5	6112118	1	CURTAIN STEP	
6	6101597	1	CHANNEL ATTACHMENT	
7	7002445	1	REAR CURTAIN PANEL	
8	6106167	1	GUSSET	

OPTION, RIGHT SHUTTER

Applies to 7456001-03 [7306028]



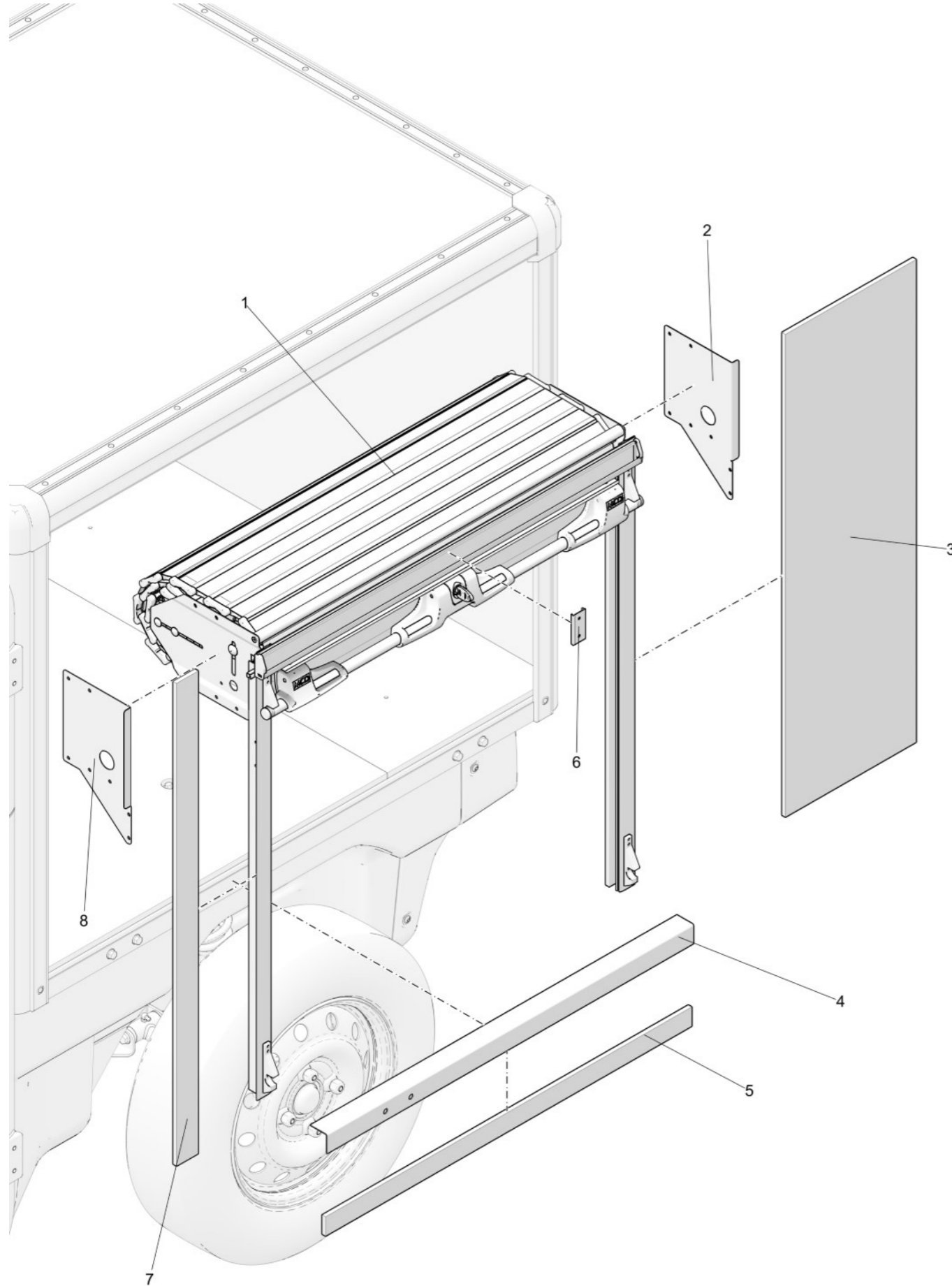
OPTION, RIGHT SHUTTER

Applies to 7456001-03 [7306028]

Ref.	Part No.	Qty	Part Description	Notes
1	2100441	2	LOWER BAR LOCK	
2	2100744	1	CURTAIN RIGHT BAR LEVER COVER	
3	2100377	2	CAP	
4	2101084	1	BAR	
5	2100645	1	BOX VAN SHUTTER LOCK	
6	2100646	1	BARREL INSERT	
7	2100742	1	CURTAIN LEFT BAR LEVER COVER	
8	2100743	1	CURTAIN CENTRAL BAR LEVER COVER	
9	2100718	1	CLOSING MECHANISM	

OPTION, LEFT SHUTTER

Applies to 7456001-03 [7306029]



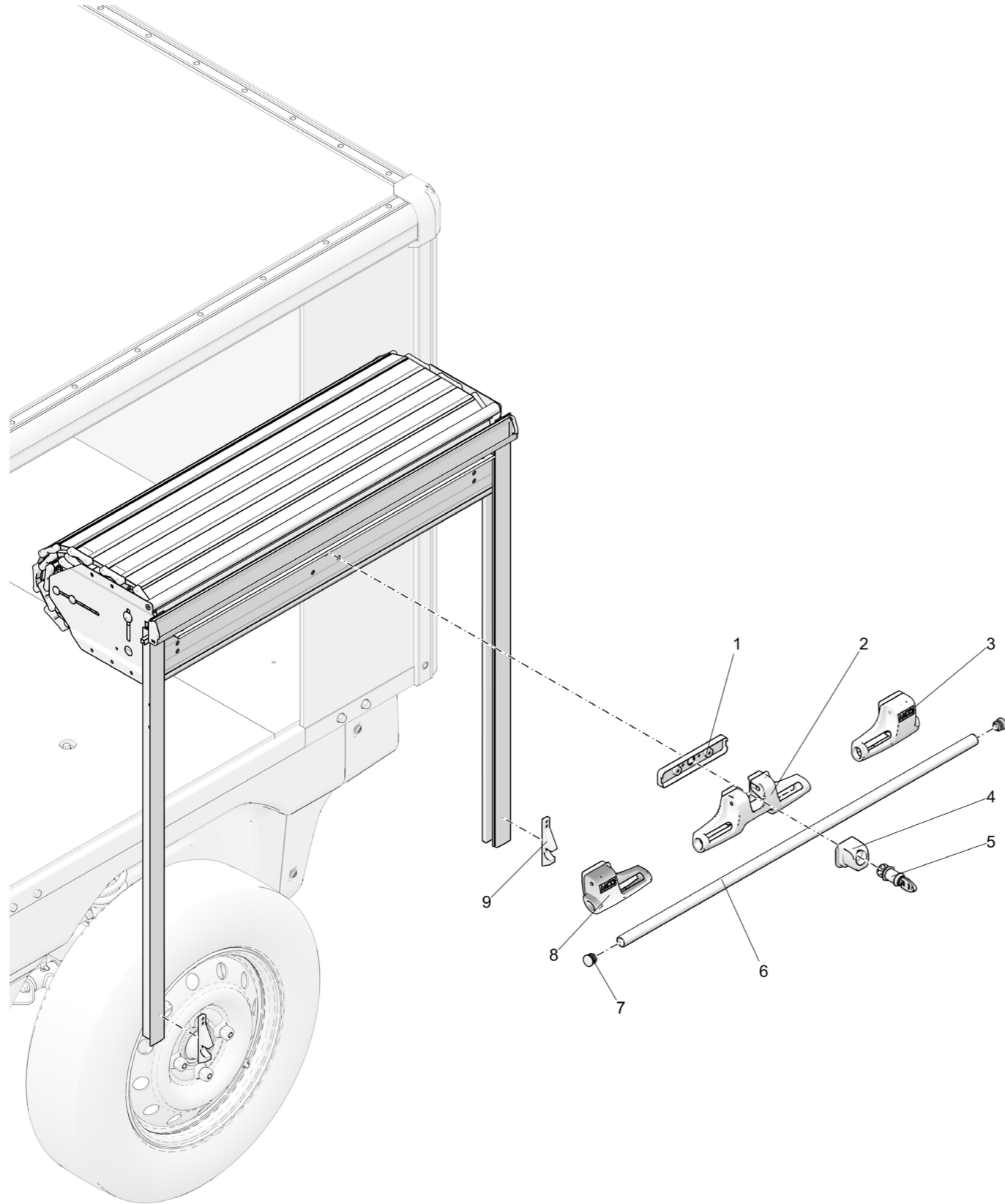
OPTION, LEFT SHUTTER

Applies to 7456001-03 [7306029]

Ref.	Part No.	Qty	Part Description	Notes
1	6207546	1	CURTAIN	
2	6106168	1	REINFORCING GUSSET	
3	7002445	1	REAR CURTAIN PANEL	
4	6112117	1	CURTAIN STEP	
5	7002444	1	CURTAIN WEDGE	
6	6101597	1	CHANNEL ATTACHMENT	
7	7002446	1	FRONT CURTAIN PANEL	
8	6106167	1	GUSSET	

OPTION, LEFT SHUTTER

Applies to 7456001-03 [7306029]



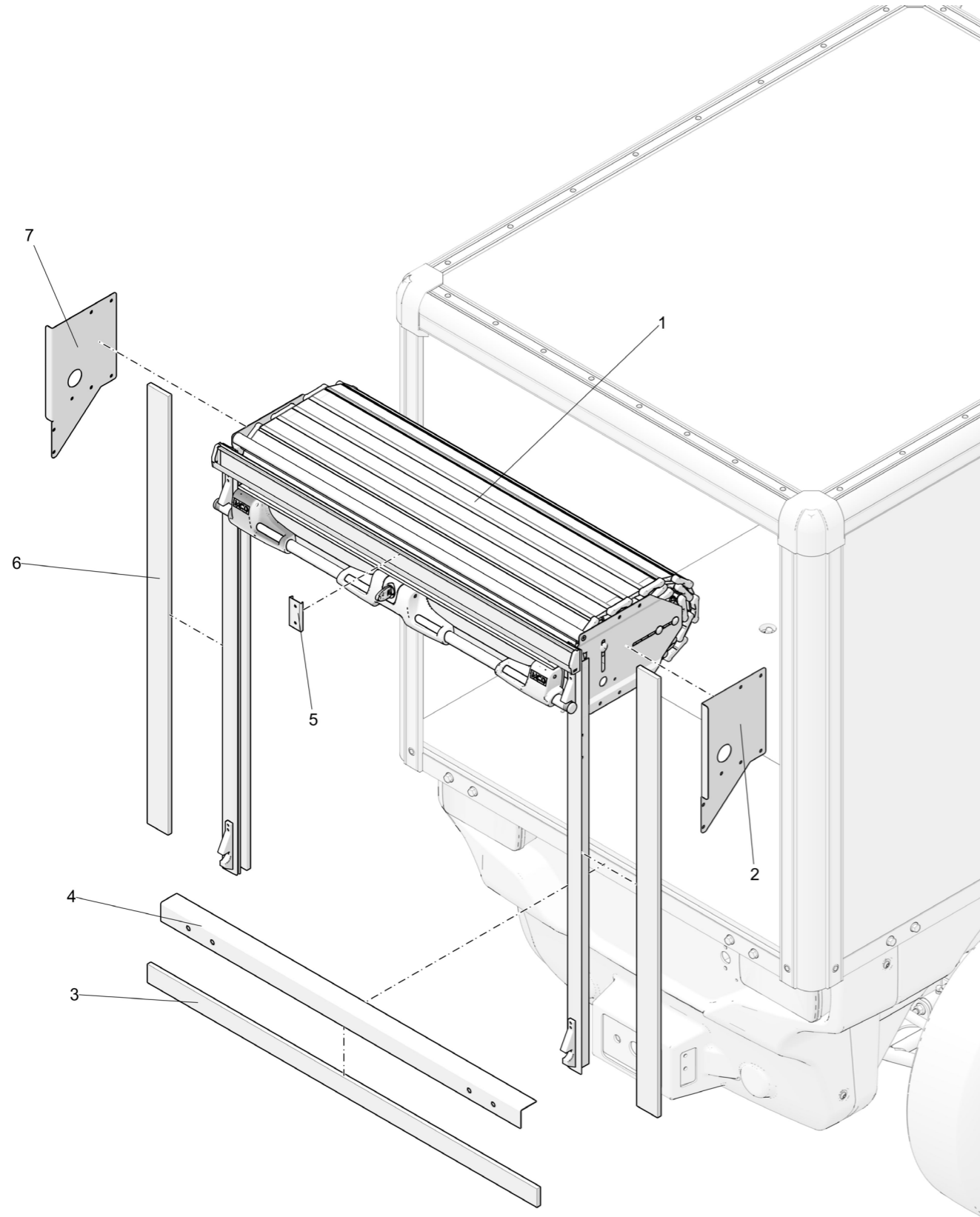
OPTION, LEFT SHUTTER

Applies to 7456001-03 [7306029]

Ref.	Part No.	Qty	Part Description	Notes
1	2100718	1	CLOSING MECHANISM	
2	2100743	1	CURTAIN CENTRAL BAR LEVER COVER	
3	2100744	1	CURTAIN RIGHT BAR LEVER COVER	
4	2100646	1	BARREL INSERT	
5	2100645	1	BOX VAN SHUTTER LOCK	
6	2101084	1	BAR	
7	2100377	2	CAP	
8	2100742	1	CURTAIN LEFT BAR LEVER COVER	
9	2100441	2	LOWER BAR LOCK	

OPTION, REAR SHUTTER

Applies to 7456001-03 [7306030]



OPTION, REAR SHUTTER

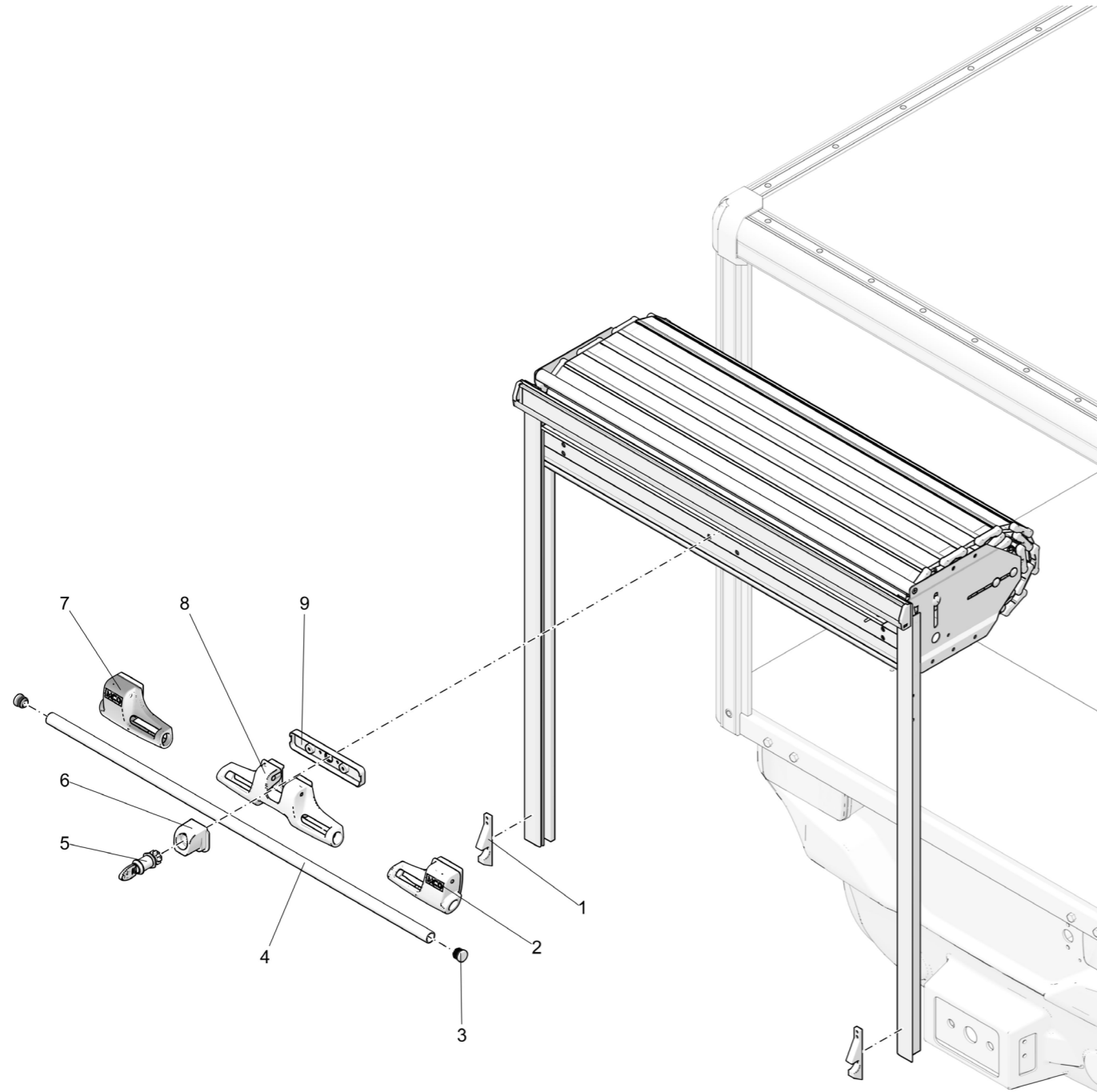
Applies to 7456001-03 [7306030]

Ref.	Part No.	Qty	Part Description	Notes
1	6207546	1	CURTAIN	
2	6106168	1	REINFORCING GUSSET	
3	7002441	1	CURTAIN WEDGE	
4	6112119	1	CURTAIN STEP	
5	6101597	1	CHANNEL ATTACHMENT	
6	7002442	2	REAR CURTAIN PANEL	
7	6106167	1	GUSSET	



OPTION, REAR SHUTTER

Applies to 7456001-03 [7306030]



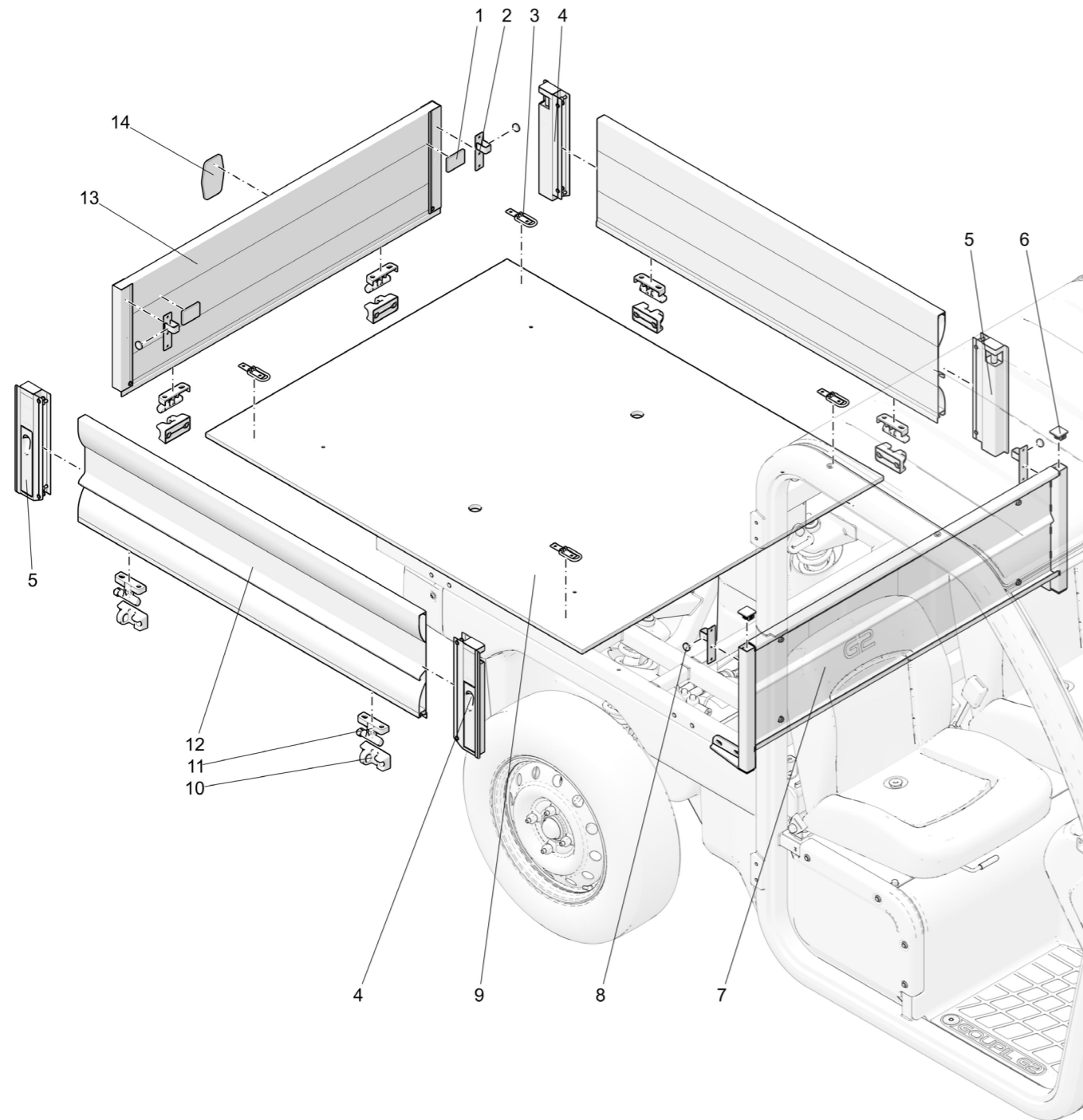
OPTION, REAR SHUTTER

Applies to 7456001-03 [7306030]

Ref.	Part No.	Qty	Part Description	Notes
1	2100441	2	LOWER BAR LOCK	
2	2100744	1	CURTAIN RIGHT BAR LEVER COVER	
3	2100377	2	CAP	
4	2101084	1	BAR	
5	2100645	1	BOX VAN SHUTTER LOCK	
6	2100646	1	BARREL INSERT	
7	2100742	1	CURTAIN LEFT BAR LEVER COVER	
8	2100743	1	CURTAIN CENTRAL BAR LEVER COVER	
9	2100718	1	CLOSING MECHANISM	

OPTION, DROPSIDE PICKUP

Applies to 7456001-03 [7306036]



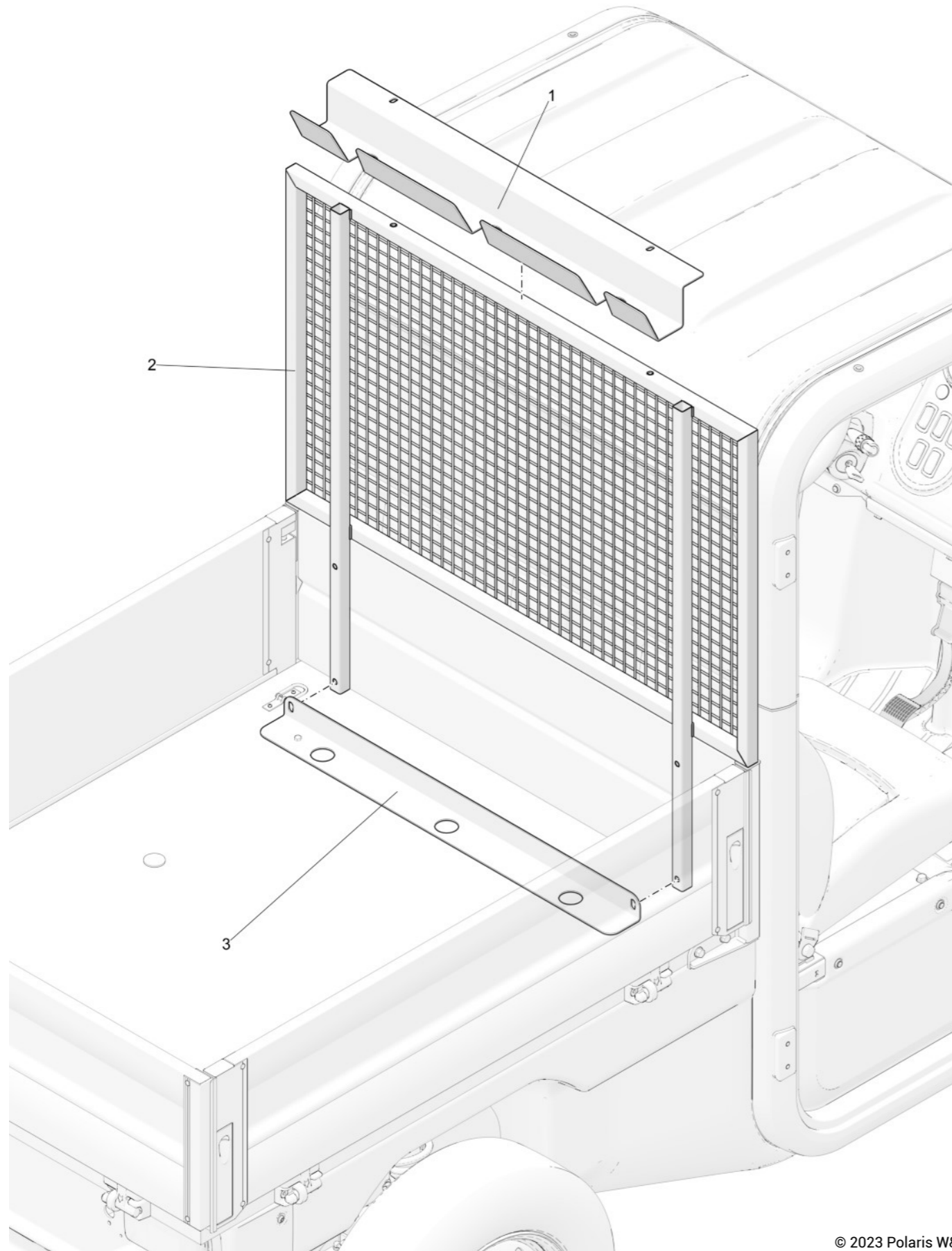
OPTION, DROPSIDE PICKUP

Applies to 7456001-03 [7306036]

Ref.	Part No.	Qty	Part Description	Notes
1	3550131	2	RED REFLECTOR	
2	2100275	4	LOCKING HOOK	
3	4150973	4	TIE BRACKET	
4	2100420	2	RH SIDE WALL TIP	
5	2100421	2	LH SIDE WALL TIP	
6	4150256	2	CAP	
7	6004462	1	FRONT SIDE WALL TIP	
8	4150177	4	RUBBER STOP	
9	7002380	1	DECK FLOOR	
10	2100386	6	FEMALE HINGE	
11	2100387	6	MALE HINGE	
12	4200502	2	SIDE PANEL	
13	4200503	1	TAILGATE	
14	6102615	1	FOAM PROTECTION	

OPTION, FRONT UPPER CAGE, TOOLHOLDER

Applies to 7456001-03 [7306037-01]



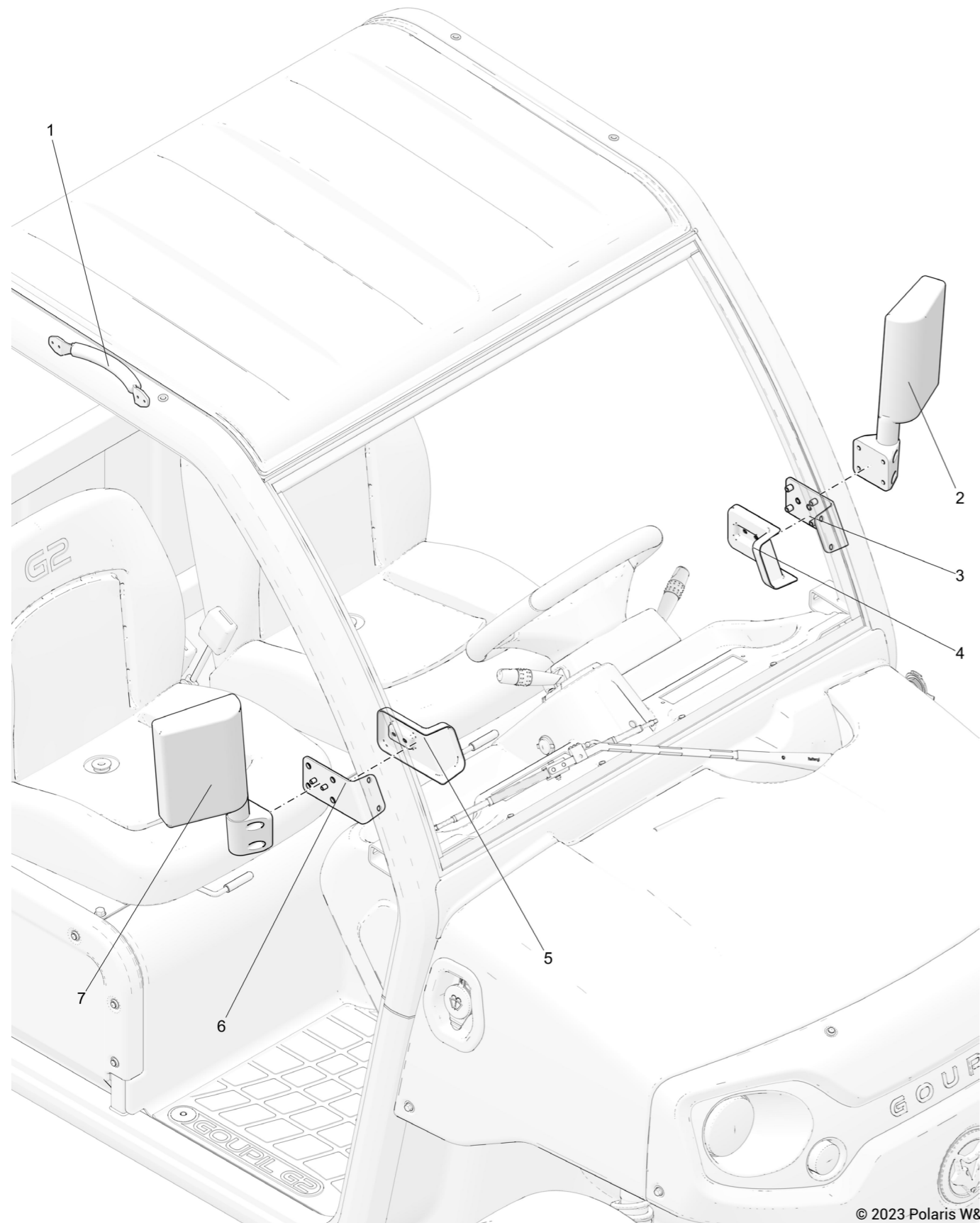
OPTION, FRONT UPPER CAGE, TOOLHOLDER

Applies to 7456001-03 [7306037-01]

Ref.	Part No.	Qty	Part Description	Notes
1	6111830	1	UPPER TOOL HOLDER	
2	6004461	1	FRONT RAISER	
3	6111829	1	LOWER TOOL HOLDER	

OPTION, LATERAL DOORLESS KIT

Applies to 7456001-03 [7306039]



© 2023 Polaris W&T

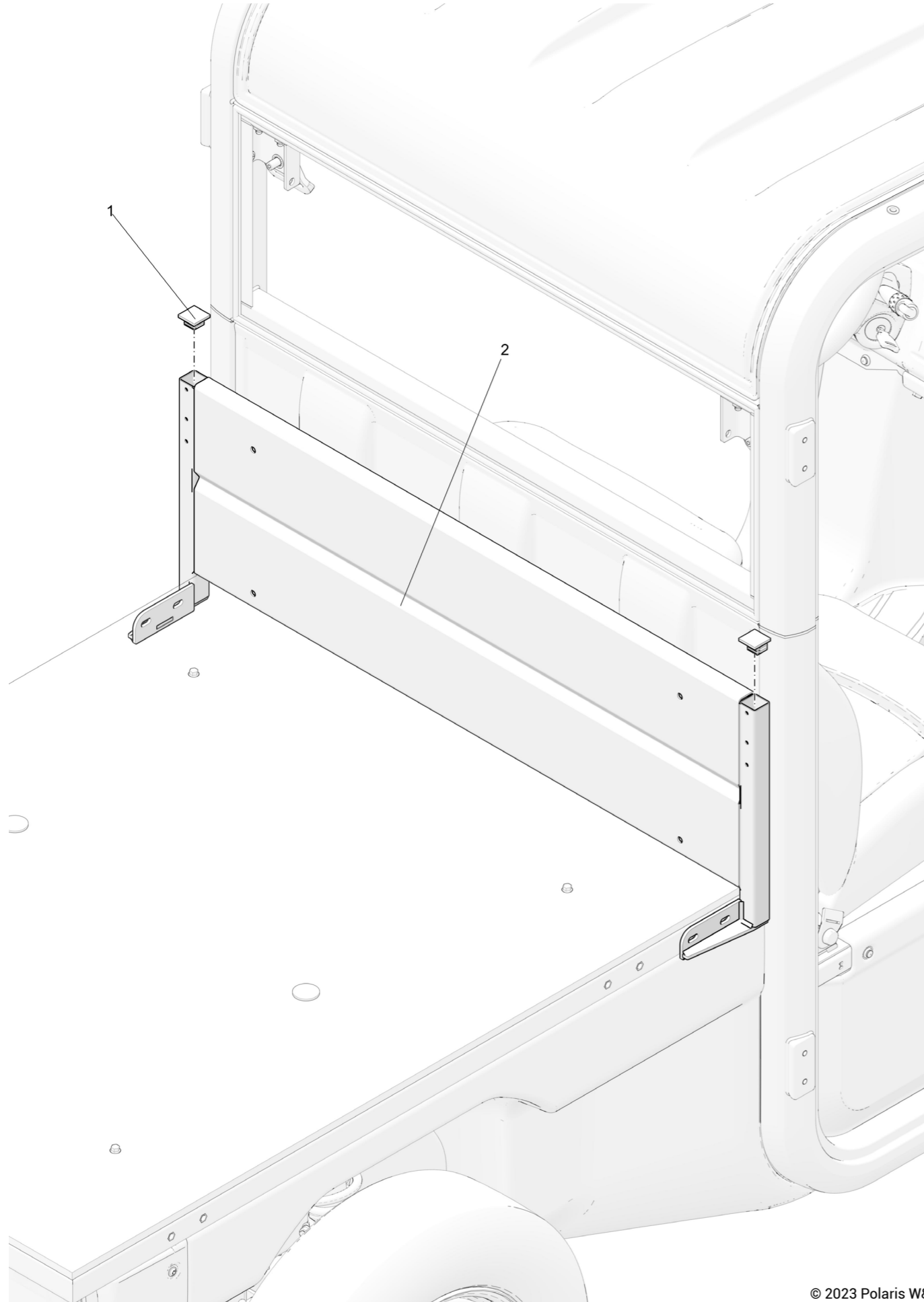
OPTION, LATERAL DOORLESS KIT

Applies to 7456001-03 [7306039]

Ref.	Part No.	Qty	Part Description	Notes
1	4150979	1	INSIDE HANDLE	
2	4150005	1	EXTERNAL LH REAR VIEW MIRROR	
3	6004546	1	MIRROR LH BRACKET	
4	6207539	1	LH SIDE MIRROR COVER	
5	6207545	1	RH SIDE MIRROR COVER	
6	6004547	1	MIRROR RH BRACKET	
7	4150006	1	EXTERNAL RH REAR VIEW MIRROR	

OPTION, FRONT CROSS BOARD

Applies to 7456001-03 [7306043]



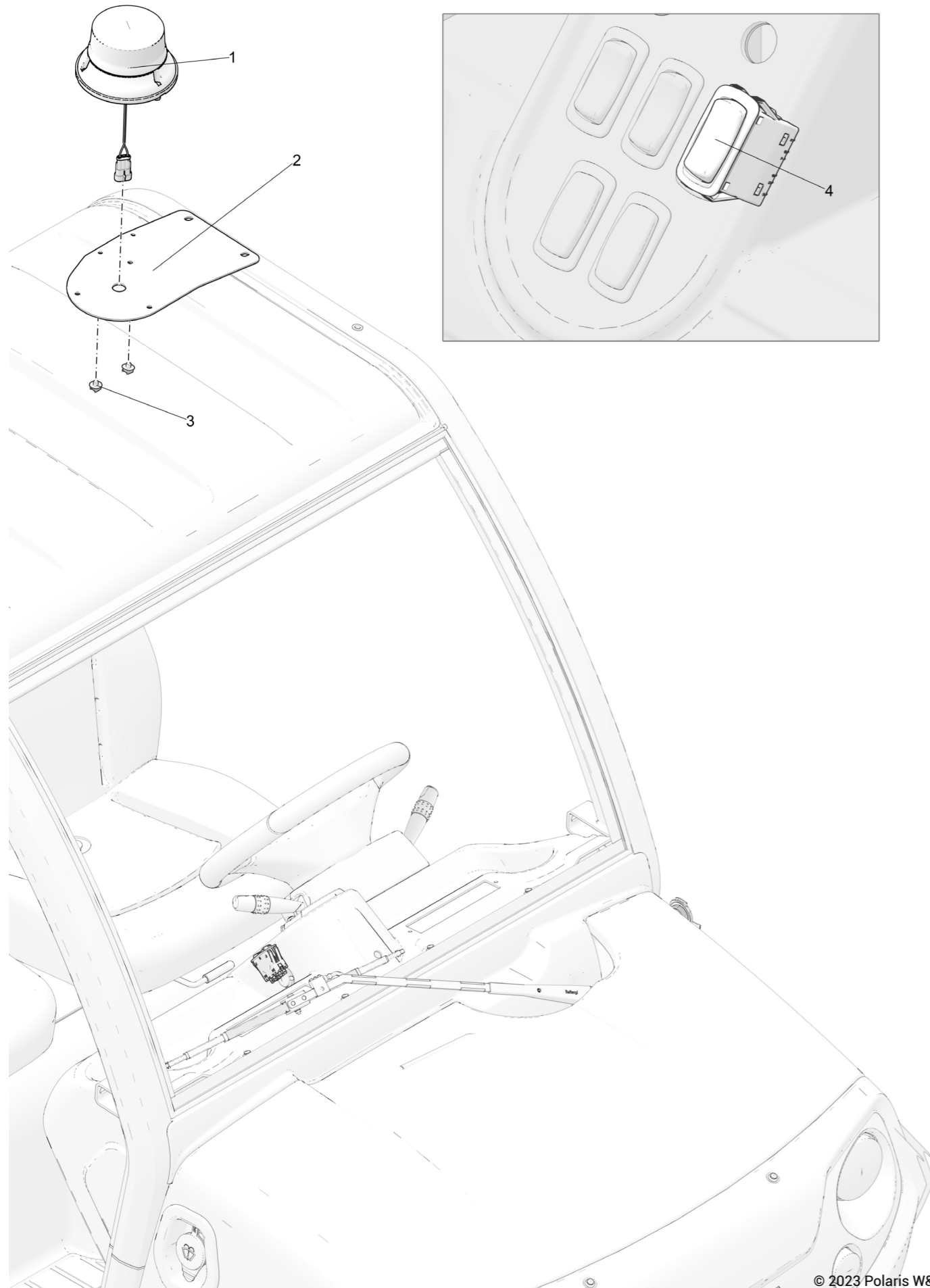
OPTION, FRONT CROSS BOARD

Applies to 7456001-03 [7306043]

Ref.	Part No.	Qty	Part Description	Notes
1	4150256	2	CAP	
2	6004462	1	FRONT SIDE WALL TIP	

OPTION, DEPORTED LEFT FLASHLIGHT

Applies to 7456001-03 [7306044-02]



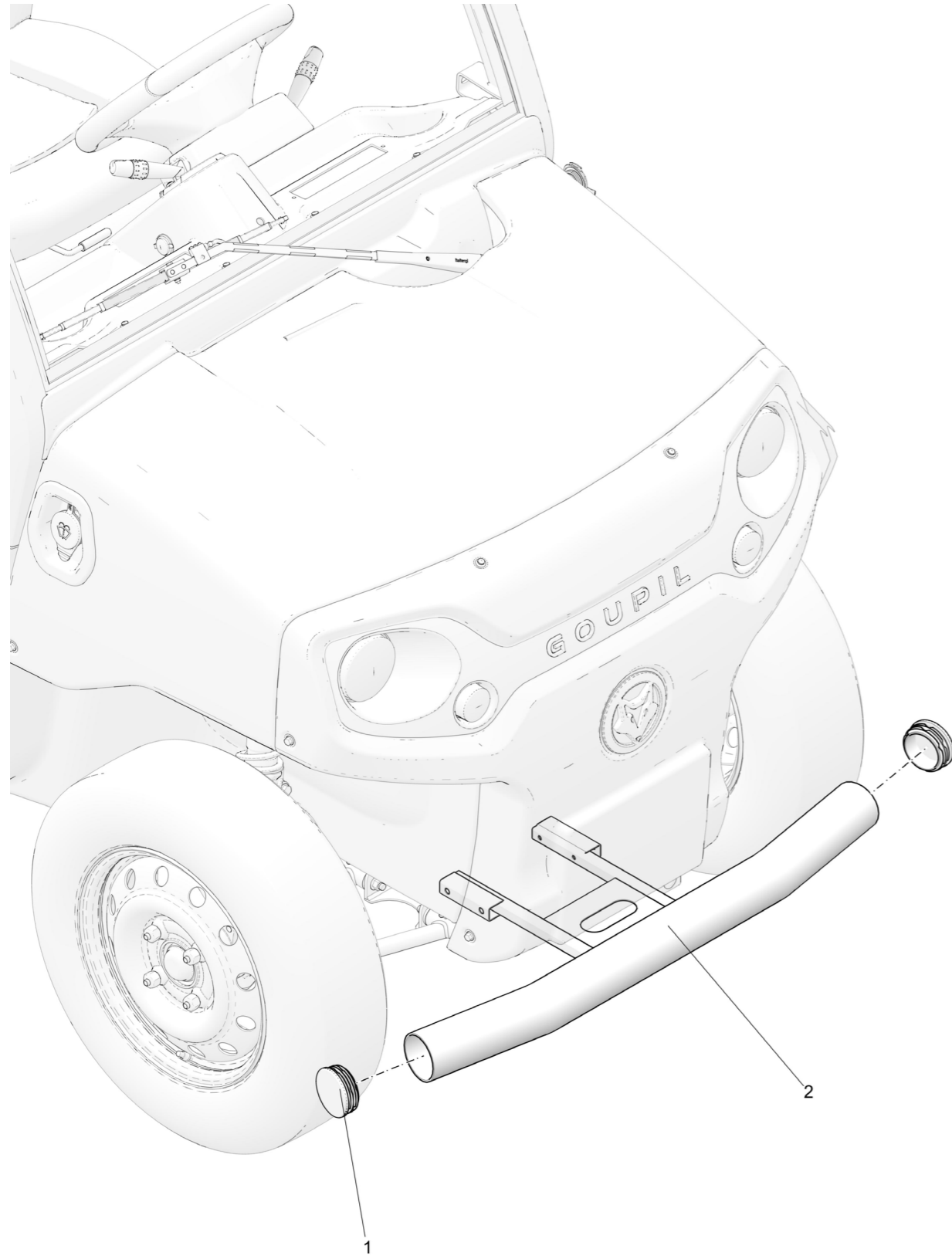
© 2023 Polaris W&T

OPTION, DEPORTED LEFT FLASHLIGHT

Applies to 7456001-03 [7306044-02]

Ref.	Part No.	Qty	Part Description	Notes
1	6200890	1	BEACON LIGHT ASSY	
2	6112087	1	BRACKET	
3	3200045	2	COLLAR	
4	3450543	1	SWITCH	

Applies to 7456001-03 [7306045]

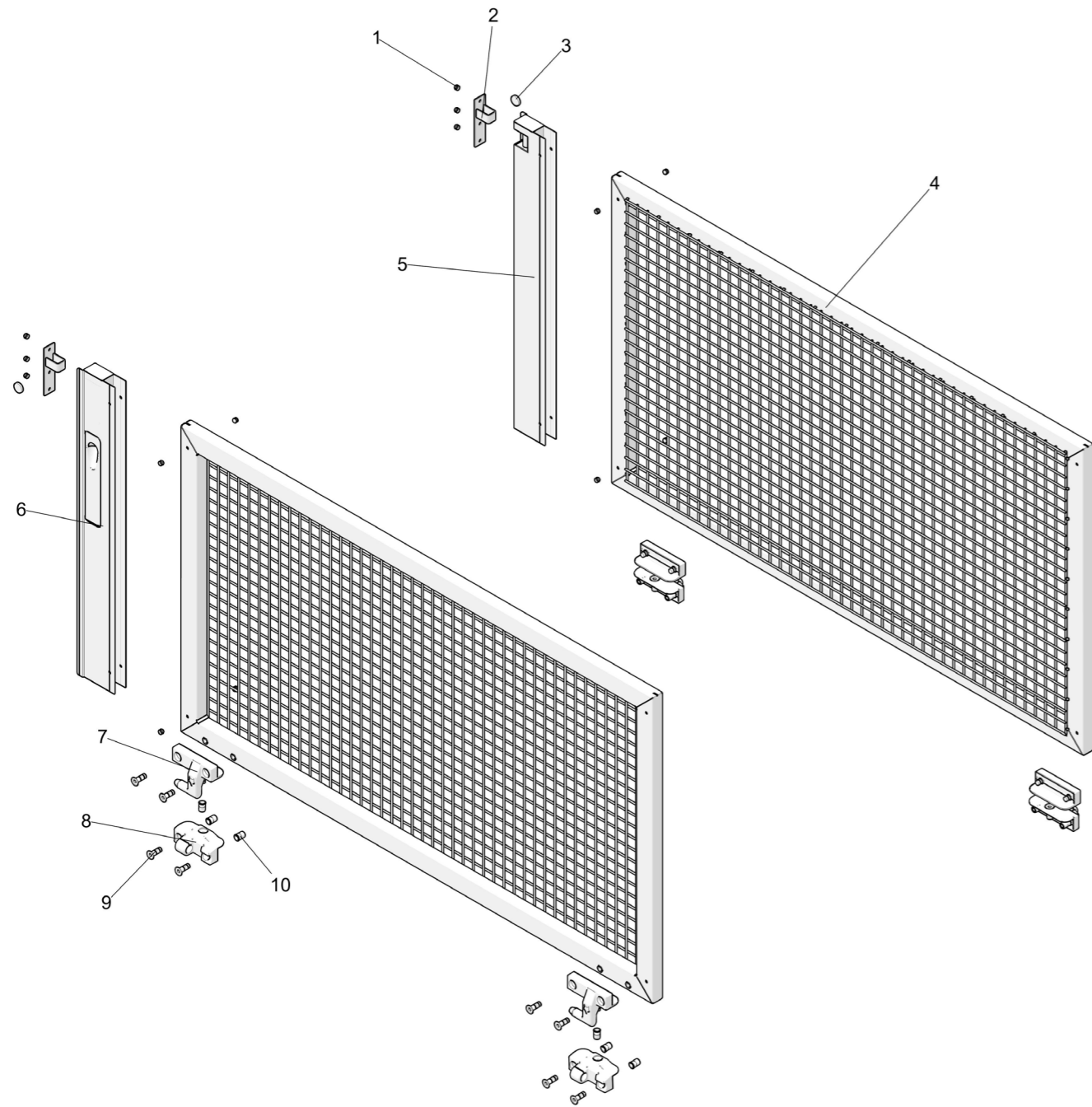


Applies to 7456001-03 [7306045]

Ref.	Part No.	Qty	Part Description	Notes
1	4151094	2	CAP	
2	6004530	1	BULL BAR	

OPTION, SIDE METAL CAGE

Applies to 7456001-03 [7306050]



OPTION, SIDE METAL CAGE

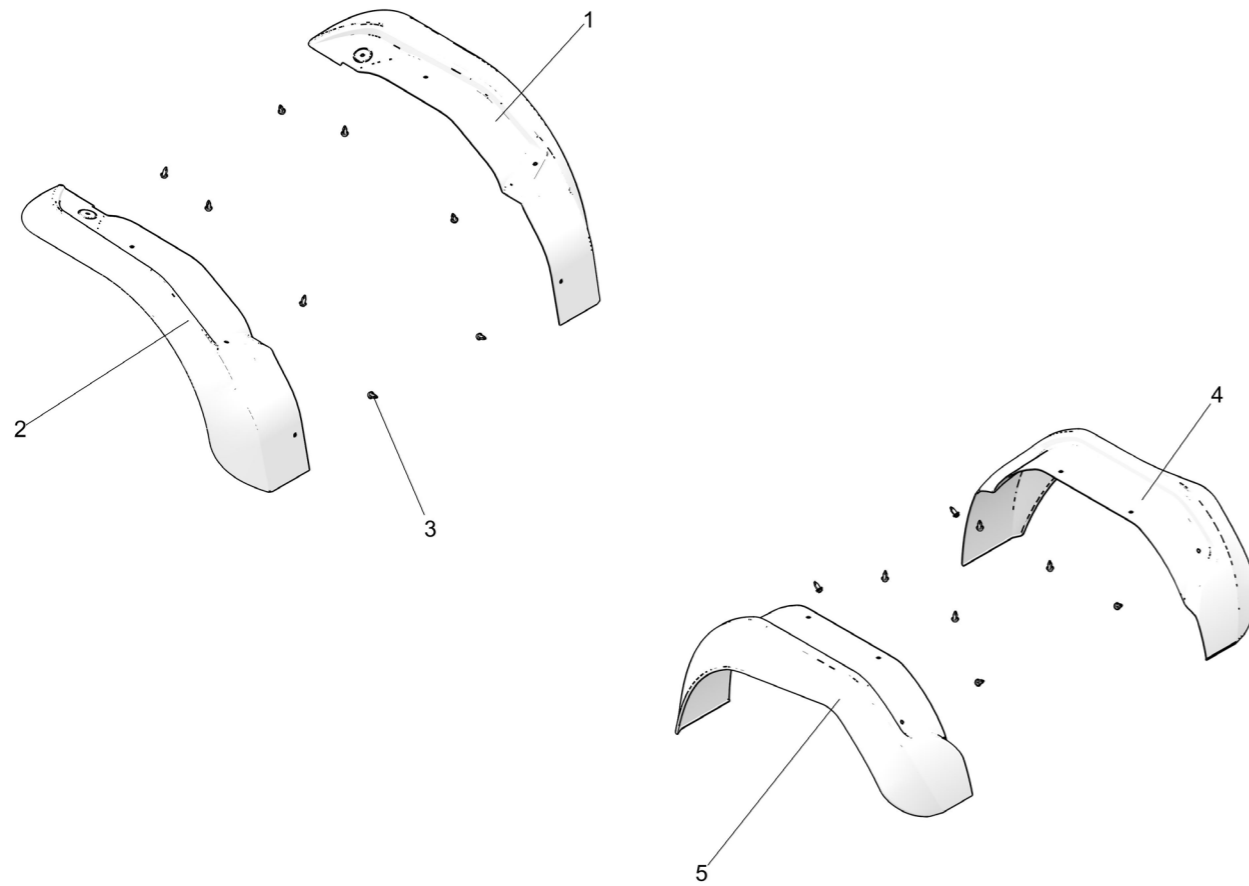
Applies to 7456001-03 [7306050]

Ref.	Part No.	Qty	Part Description	Notes
1	5400021	14	STAINLESS STEEL RIVET 4.8X10	
2	2100275	2	LOCKING HOOK	
3	4150177	2	RUBBER STOP	
4	6004713	1	SIDE GRID	
5	6201483	1	SIDE GRID END	
6	6201482	1	SIDE GRID END	
7	6111569	4	HINGE TRUNNION	
8	6111570	4	HINGE BASE CAGE	
9	5105104	20	SCREW	
10	5250044	12	INSERT	



OPTION, MUDGUARD

Applies to 7456001-03 [7306051]



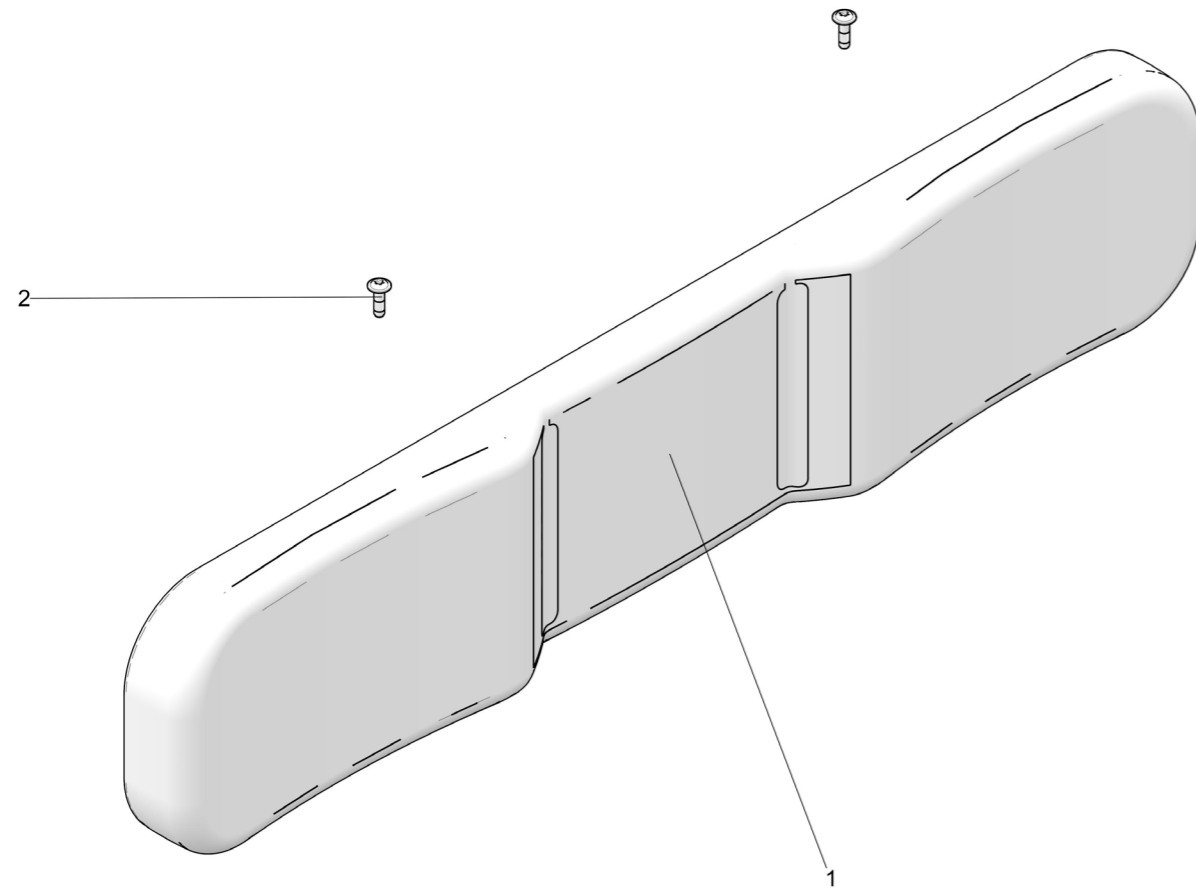
OPTION, MUDGUARD

Applies to 7456001-03 [7306051]

Ref.	Part No.	Qty	Part Description	Notes
1	6200576	1	FRONT RIGHT MUDGUARD	
2	6200575	1	FRONT LEFT MUDGUARD	
3	107661855	16	PLASTIC RIVET	
4	6200578	1	REAR RIGHT MUDGUARD	
5	6200577	1	REAR LEFT MUDGUARD	

OPTION, HEADREST

Applies to 7456001-03 [7306052]



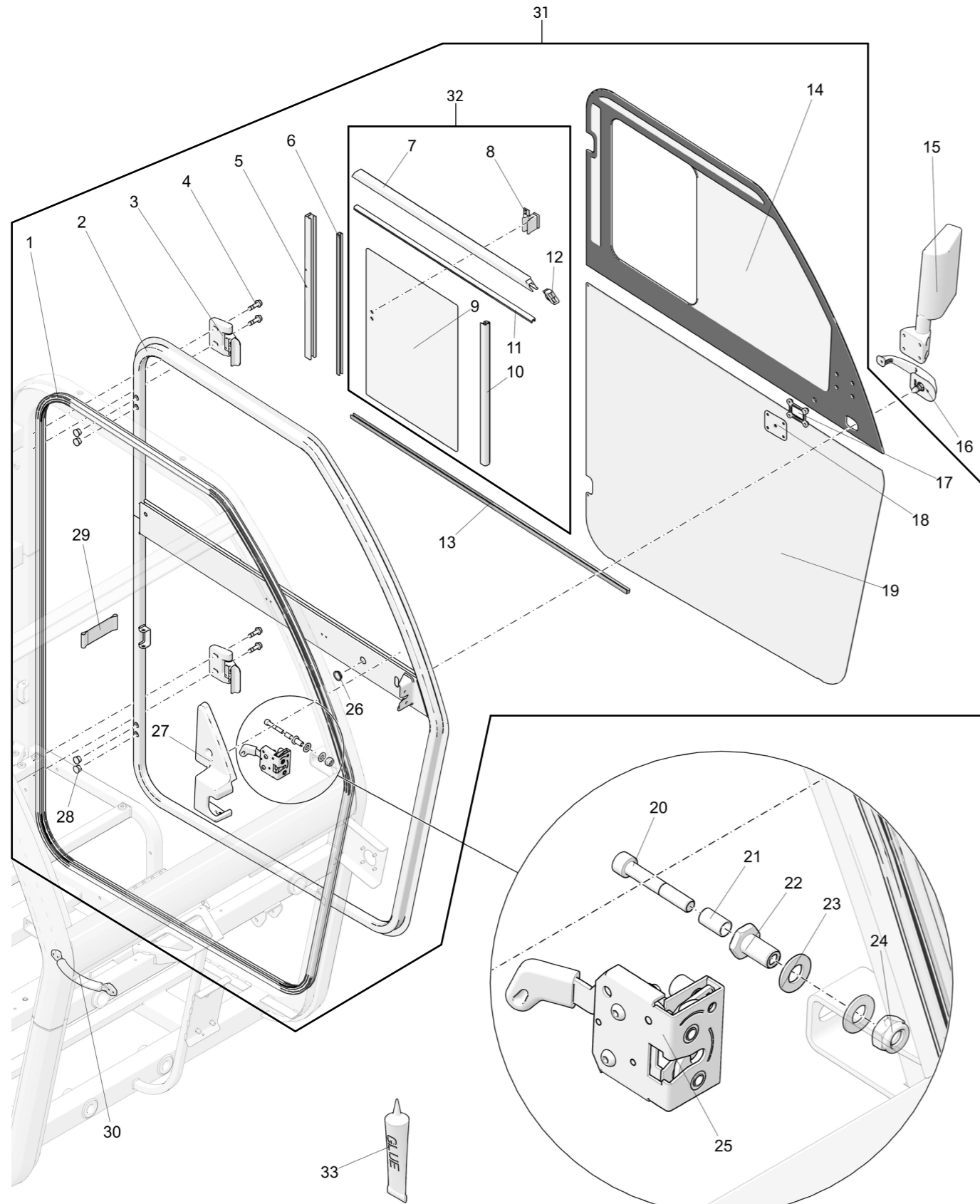
OPTION, HEADREST

Applies to 7456001-03 [7306052]

Ref.	Part No.	Qty	Part Description	Notes
1	6200583	1	HEADREST	
2	5055117	2	SCREW	

OPTION, LH INDUSTRY DOOR

Applies to 7456001-03 [7306053]



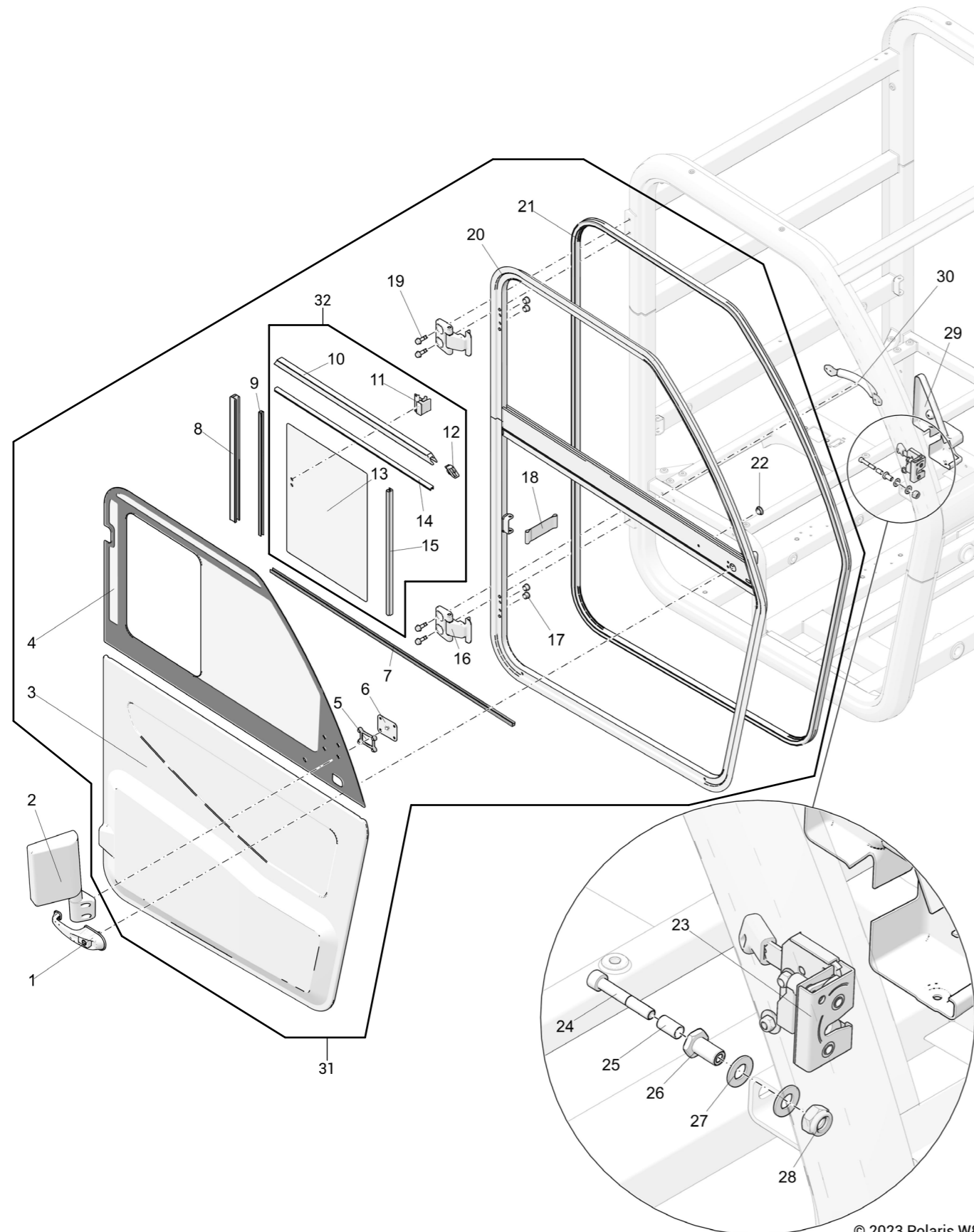
OPTION, LH INDUSTRY DOOR

Applies to 7456001-03 [7306053]

Ref.	Part No.	Qty	Part Description	Notes
1	7002480	1	DOOR SEAL	
2	6004442	1	LH DOOR FRAME	
3	127MP960-9005	2	DOOR HINGE	
4	5055026	4	SCREW	
5	6111728	1	LH VERTICAL GUIDE RAIL	
6	7002481	1	GLASS SLIDE	
7	6111727	1	LH UPPER GUIDE RAIL	
8	4151001	1	SLIDING WINDOW CLOSURE	
9	6207527	1	SLIDING GLASS	
10	7002425	1	WINDOW WIPER GROUT	
11	7002482	1	GLASS SLIDE	
12	6200585	1	SLIDING WINDOW STOP	
13	7002483	1	GLASS SLIDE	
14	6200588	1	LEFT INDUSTRIAL DOOR GLASS	
15	4150005	1	EXTERNAL LH REAR VIEW MIRROR	
16	4151048	1	EXT DOOR HANDLE + BARREL + KEY	
17	6207380	1	MIRROR BASE	
18	6111868	1	MIRROR COUNTER PLATE	
19	6200586	1	LEFT INDUSTRIAL DOOR PROTECTION	
20	5000023	1	BOLT	
21	127MP065	1	RING	
22	127MP064A	1	DOOR STRIKER PIN	
23	5300003	2	WASHER	
24	5150002	1	LOCK NUT	
25	127MP063	1	LEFT DOOR LOCK	
26	4151129	1	PLUG	
27	6207540	1	LH LOCK COVER	
28	4150620	4	BLACK PLUG	
29	6200584	1	STRAP HOLDER	
30	4150979	1	INSIDE HANDLE	
31	7102290	1	LEFT INDUSTRY DOOR	LOCK, LOCK COVER, DOOR STRIKE, MIRROR ELEMENTS AND STRAP HOLDER <b>ARE NOT INCLUDED</b>
32	7140646	1	SLIDING LEFT GLASS KIT	
33	7140555	1	WINDOWS GLUE KIT	

OPTION, RH INDUSTRY DOOR

Applies to 7456001-03 [7306053]



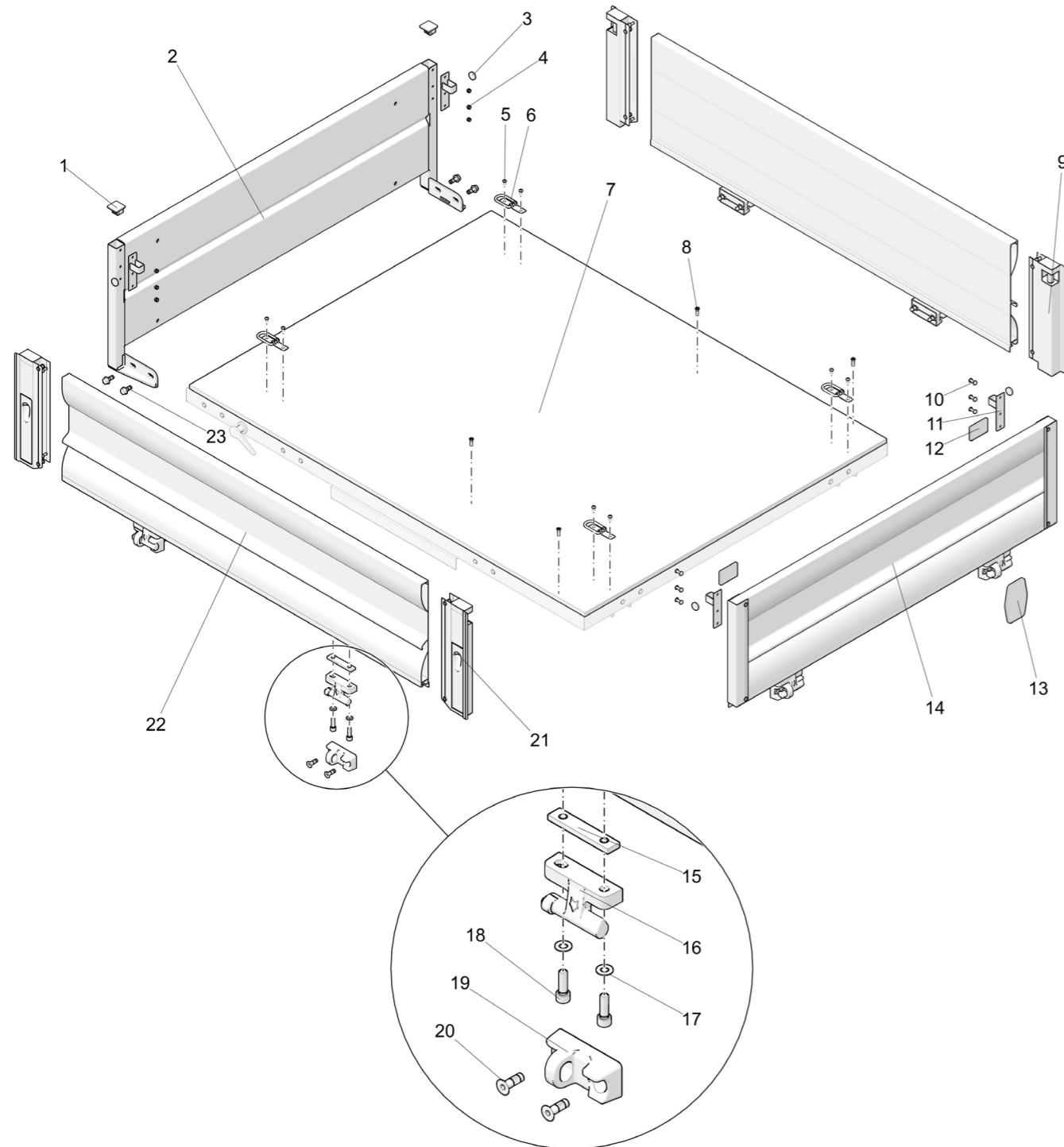
OPTION, RH INDUSTRY DOOR

Applies to 7456001-03 [7306053]

Ref.	Part No.	Qty	Part Description	Notes
1	4151048	1	EXT DOOR HANDLE + BARREL + KEY	
2	4150006	1	EXTERNAL RH REAR VIEW MIRROR	
3	6200587	1	RIGHT INDUSTRIAL DOOR PROTECTION	
4	6200589	1	LEFT INDUSTRIAL DOOR GLASS	
5	6207380	1	MIRROR BASE	
6	6005012	1	MIRROR COUNTER PLATE	
7	7002483	1	GLASS SLIDE	
8	6111730	1	RH VERTICAL GUIDE RAIL	
9	7002481	1	GLASS SLIDE	
10	6111729	1	RH UPPER GUIDE RAIL	
11	4151001	1	SLIDING WINDOW CLOSURE	
12	6200585	1	SLIDING WINDOW STOP	
13	6207529	1	RH SLIDING GLASS	
14	7002482	1	GLASS SLIDE	
15	7002426	1	WINDOW WIPER GROUT	
16	127MP960-9005	2	DOOR HINGE	
17	4150620	4	BLACK PLUG	
18	6200584	1	STRAP HOLDER	
19	5055026	4	SCREW	
20	6004443	1	RH DOOR FRAME	
21	7002480	1	DOOR SEAL	
22	4151129	1	PLUG	
23	127MP062	1	RIGHT DOOR LOCK	
24	5000023	1	BOLT	
25	127MP065	1	RING	
26	127MP064A	1	DOOR STRIKER PIN	
27	5300003	2	WASHER	
28	5150002	1	LOCK NUT	
29	6207541	1	RH LOCK COVER	
30	4150979	1	INSIDE HANDLE	
31	7102291	1	RIGHT INDUSTRY DOOR	LOCK, LOCK COVER, DOOR STRIKE, MIRROR ELEMENTS AND STRAP HOLDER <b>ARE NOT INCLUDED</b>
32	7140647	1	SLIDING RIGHT GLASS KIT	

OPTION, MANUALLY OPERATED TIPPER

Applies to 7456001-03 [7306002]



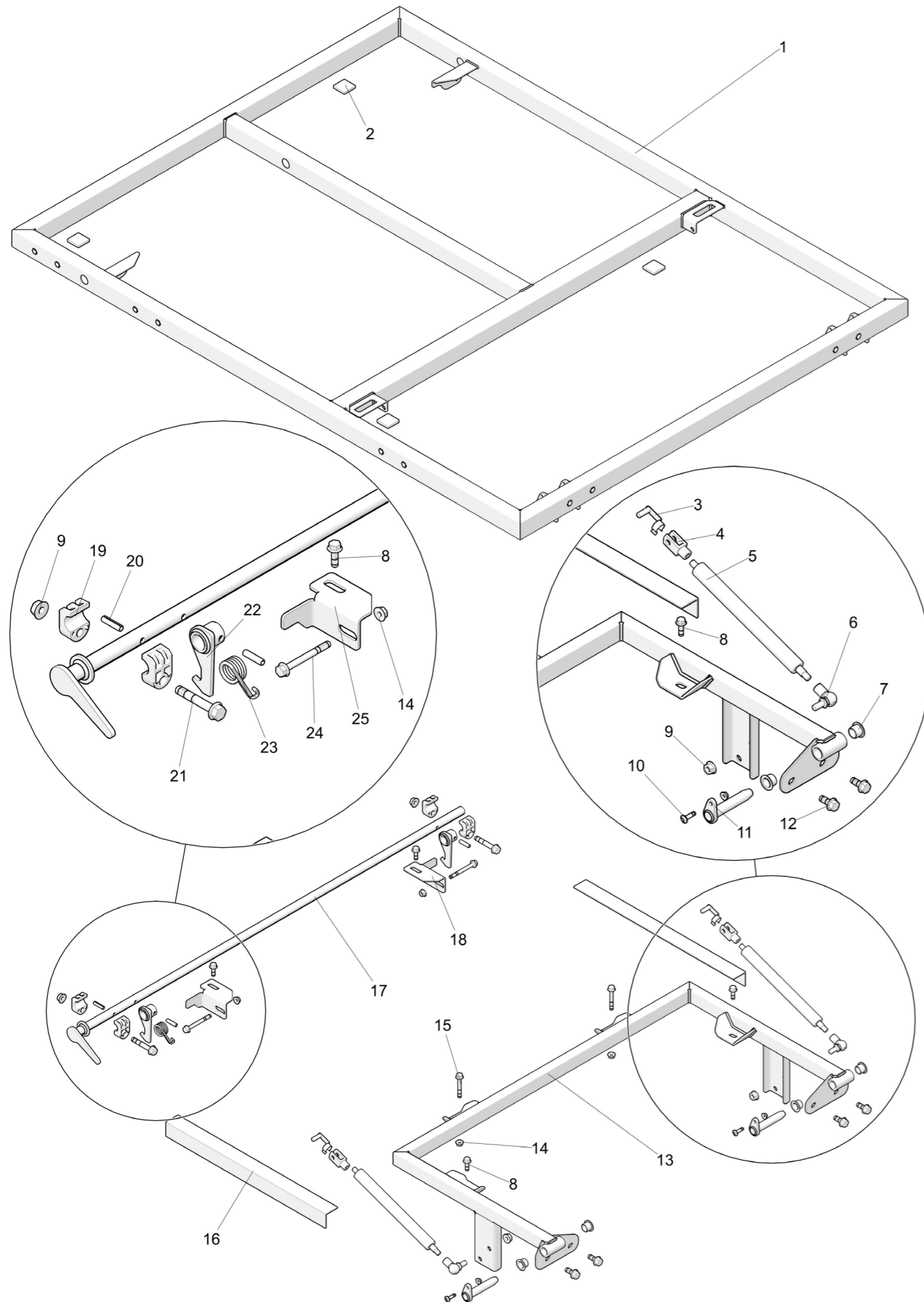
OPTION, MANUALLY OPERATED TIPPER

Applies to 7456001-03 [7306002]

Ref.	Part No.	Qty	Part Description	Notes
1	4150256	2	CAP	
2	6004462	1	FRONT SIDE WALL TIP	
3	4150177	4	RUBBER STOP	
4	5400021	6	STAINLESS STEEL RIVET 4.8X10	
5	5100077	8	BOLT	
6	4150973	4	TIE BRACKET	
7	7002608	1	WOOD FLOOR	
8	5100141	4	SCREW	
9	2100421	2	LH SIDE WALL TIP	
10	5400020	12	RIVET	
11	2100275	4	LOCKING HOOK	
12	3550131	2	RED REFLECTOR	
13	6102615	1	FOAM PROTECTION	
14	4200503	1	TAILGATE	
15	2100475	6	BAR STRIP	
16	2100387	6	HINGE - TRUNNION	
17	5300007	12	M8 WASHER	
18	5000017	12	BOLT	
19	2100386	6	HINGE	
20	5105104	12	SCREW	
21	2100420	2	RH SIDE WALL TIP	
22	4200571	2	SIDE BOARD	
23	5055024	4	SCREW	

OPTION, MANUALLY OPERATED TIPPER

Applies to 7456001-03 [7306002]



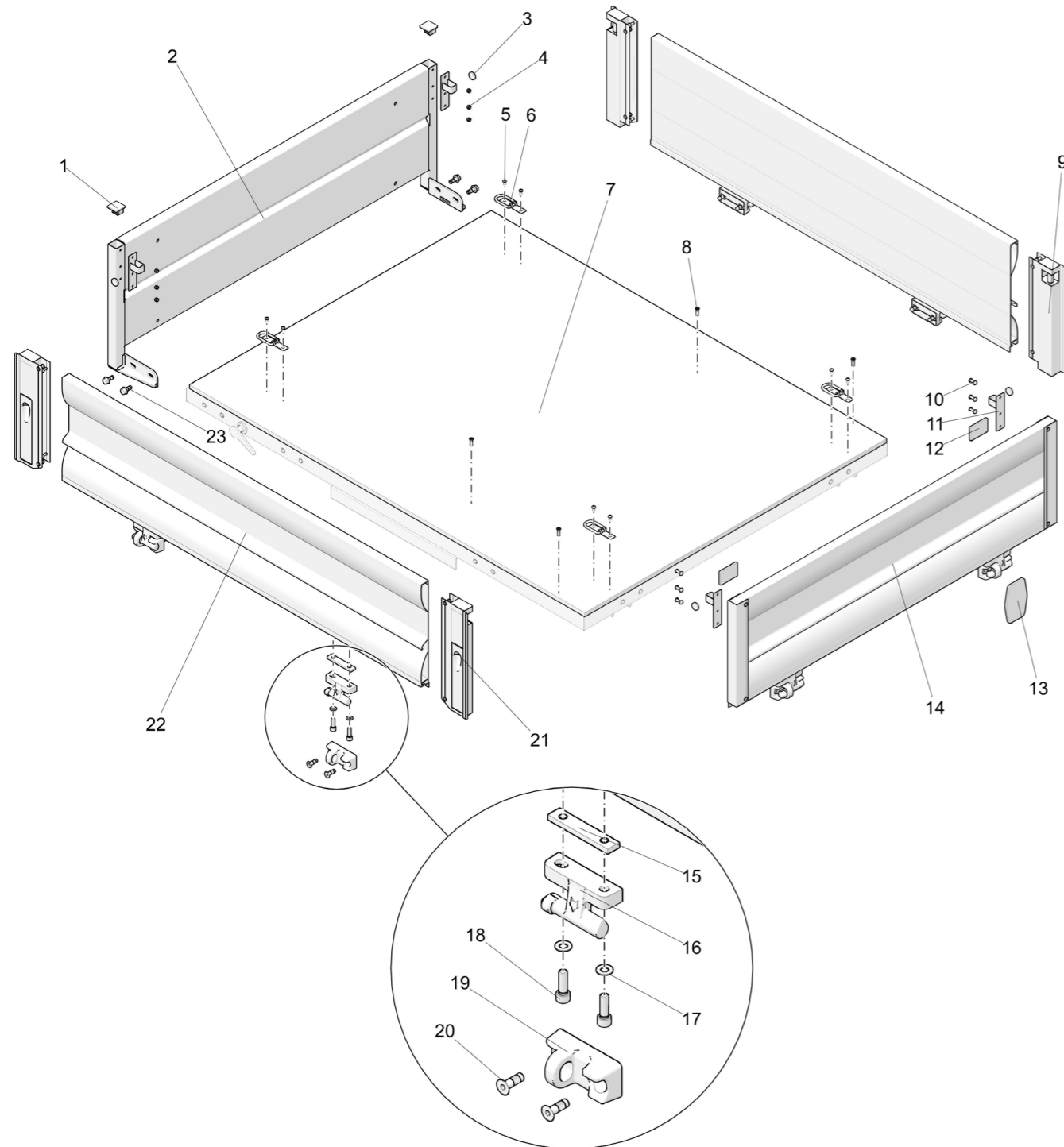
OPTION, MANUALLY OPERATED TIPPER

Applies to 7456001-03 [7306002]

Ref.	Part No.	Qty	Part Description	Notes
1	6004751	1	FRAME	
2	6113585	4	TIPPER DECK RUBBER STOP	
3	4150042	2	SAFETY ROD	
4	4150014	2	COVER	
5	4250275	2	GAZ SRPING	
6	4151169	2	ROTULA	
7	4151154	4	BEARING	
8	5055014	4	SCREW	
9	5205003	4	NUT	
10	5105005	2	SCREW	
11	6004754	2	PIN	
12	5055024	8	SCREW	
13	6004750	1	G2 TILTBED SUB FRAME	
14	5205002	4	NUT	
15	5055019	2	SCREW	
16	6500738	2	STICKER	
17	6004752	1	UNLOCK HANDLE G2 TILT BED	
18	6113636	1	LOCK STOP RH	
19	105434226	4	BUSHING-BOX LATCH	
20	5450038	3	PIN	
21	5055029	2	SCREW	
22	6004753	2	LOCK	
23	107044324	1	SPRING LATCH	
24	5055183	2	SCREW	
25	6113159	1	LOCK STOP LH	

OPTION, MANUALLY OPERATED TIPPER

Applies to 7456001-03 [7306002-01]



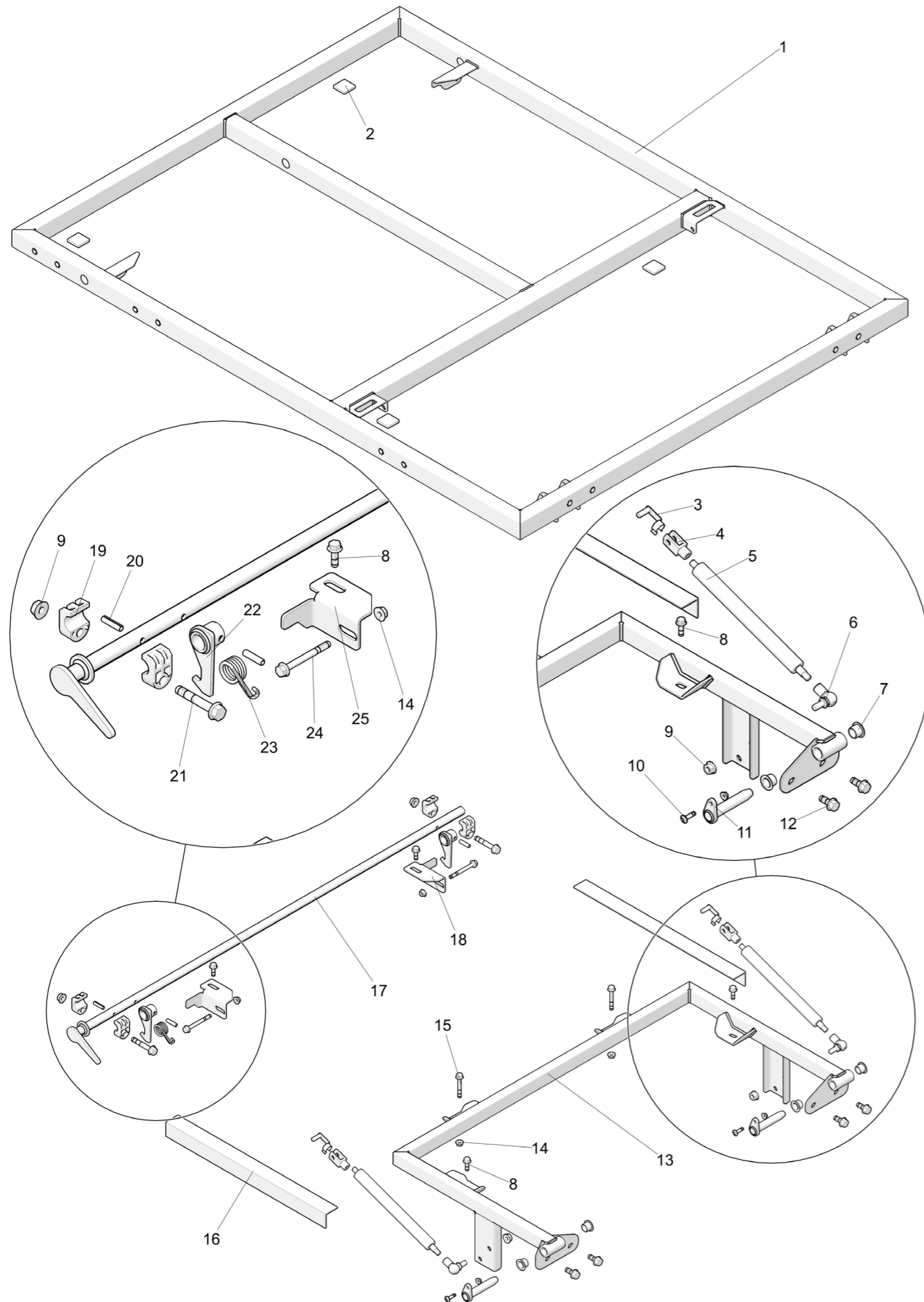
OPTION, MANUALLY OPERATED TIPPER

Applies to 7456001-03 [7306002-01]

Ref.	Part No.	Qty	Part Description	Notes
1	4150256	2	CAP	
2	6004462	1	FRONT SIDE WALL TIP	
3	4150177	4	RUBBER STOP	
4	5400021	6	STAINLESS STEEL RIVET 4.8X10	
5	5100077	8	BOLT	
6	4150973	4	TIE BRACKET	
7	7002608	1	WOOD FLOOR	
8	5100141	4	SCREW	
9	2100421	2	LH SIDE WALL TIP	
10	5400020	12	RIVET	
11	2100275	4	LOCKING HOOK	
12	3550131	2	RED REFLECTOR	
13	6102615	1	FOAM PROTECTION	
14	4200503	1	TAILGATE	
15	2100475	6	BAR STRIP	
16	2100387	6	HINGE - TRUNNION	
17	5300007	12	M8 WASHER	
18	5000017	12	BOLT	
19	2100386	6	HINGE	
20	5105104	12	SCREW	
21	2100420	2	RH SIDE WALL TIP	
22	4200571	2	SIDE BOARD	
23	5055024	4	SCREW	

OPTION, MANUALLY OPERATED TIPPER

Applies to 7456001-03 [7306002-01]



OPTION, MANUALLY OPERATED TIPPER

Applies to 7456001-03 [7306002-01]

Ref.	Part No.	Qty	Part Description	Notes
1	6004838	1	FRAME	
2	6113585	4	TIPPER DECK RUBBER STOP	
3	4150042	2	SAFETY ROD	
4	4150014	2	COVER	
5	4250275	2	GAZ SRPING	
6	4151169	2	ROTULA	
7	4151154	4	BEARING	
8	5055014	4	SCREW	
9	5205003	4	NUT	
10	5105005	2	SCREW	
11	6004839	2	PIN	
12	5055024	8	SCREW	
13	6004750	1	G2 TILTBED SUB FRAME	
14	5205002	4	NUT	
15	5055019	2	SCREW	
16	6500738	2	STICKER	
17	6004752	1	UNLOCK HANDLE G2 TILT BED	
18	6113636	1	LOCK STOP RH	
19	105434226	4	BUSHING-BOX LATCH	
20	5450038	3	PIN	
21	5055029	2	SCREW	
22	6004753	2	LOCK	
23	107044324	1	SPRING LATCH	
24	5055183	2	SCREW	
25	6113159	1	LOCK STOP LH	