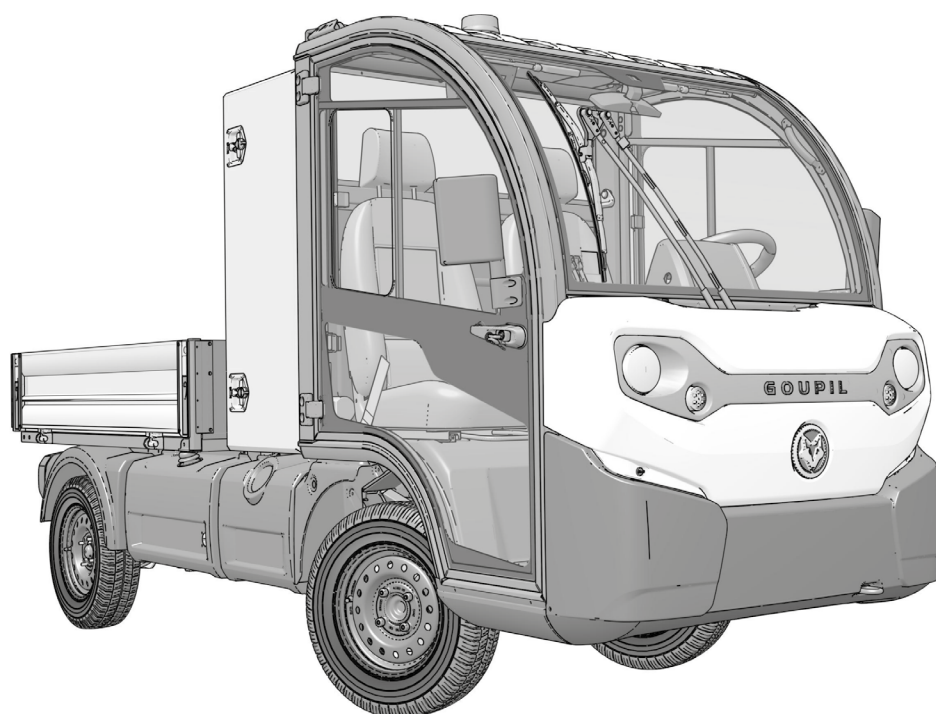


# Spare Parts Manual

G4M - 7475001-09

# G4 MY22



**1720007-08**  
***Spare Parts Manual***



Read the Operator's manual entirely.  
When you see this symbol, the subsequent instructions and warnings are serious - follow without exception. Your life and the lives of others depend on it !

© Copyright 2022 Printed 12/05/22

*Cover photo may show optional equipment not supplied with standard unit.*



SOFTWARE / DOCUMENTATION.....	6
CHASSIS, FRAME.....	8
SUSPENSION, FRONT SUSPENSION.....	10
SUSPENSION, REAR SUSPENSION.....	12
ELECTRICAL, LIGHTS.....	14
ELECTRICAL, DASH INSTRUMENT.....	16
ELECTRICAL, AC MOTOR, CONTROLLER BOX.....	18
ELECTRICAL, AC MOTOR.....	20
ELECTRICAL, HARNESS, FUSES, RELAYS.....	22
BRAKES, FRONT BRAKE.....	24
BRAKES, FRONT BRAKE.....	26
BRAKES, REAR BRAKE.....	28
STEERING, STEERING ASM (WITHOUT POWER STEERING).....	30
WHEELS.....	32
BODY, DECALS AND OWNER'S MANUAL.....	34
DRIVETRAIN, GEARBOX.....	36
BODY, CAB, BODYWORK, WINDSCREEN.....	40
BODY, CAB, PASSENGER COMPARTMENT.....	42
BODY, BODYWORK.....	44
OPTION, LEAD ACID TRACTION 8.6KW 180AH BATTERY.....	48
OPTION, LEAD ACID TRACTION 11.5KW 240AH BATTERY.....	50
OPTION, LEAD ACID TRACTION 15.4KW 320AH BATTERY.....	52
OPTION, LITHIUM 48V 7.2KW BATTERY.....	54
OPTION, LITHIUM 48V 9.2KW BATTERY.....	56
OPTION, LITHIUM 48V 13.8KW BATTERY.....	58
OPTION, ELECTRIC POWER STEERING.....	60
OPTION, CENTRAL LOCKING DOORS, LH DOOR.....	62
OPTION, CENTRAL LOCKING DOORS, RH DOOR.....	66

© Copyright 2022. All rights reserved.

Goupil Industrie provides this publication "as is" without warranty of any kind, either expressed or implied. While every precaution has been taken in the preparation of this manual, Goupil Industrie assumes no responsibility for errors or omissions. Neither is any liability assumed for damages resulting from the use of the information contained herein. Goupil Industrie reserves the right to revise and improve its products as it sees fit. This publication describes the state of this product at the time of its publication, and may not reflect the product in the future. The illustrations in this manual are not intended for safe and proper assembly or disassembly of equipment. The illustrations are intended for ordering parts only.

Goupil Industrie is registered trademark.

All other brands and product names are trademarks or registered trademarks of their respective holders.

Printed in France, Europe.



OPTION, PROTECTION LEFT DOOR.....	70
OPTION, RIGHT DOOR PROTECTION.....	72
OPTION, LATERAL DOORLESS KIT.....	74
OPTION, RIGHT HAND DRIVE UK / LEFT HAND TRAFFIC.....	76
OPTION, RIGHT HAND DRIVE / RIGHT HAND TRAFFIC.....	78
OPTION, LOW PRESSURE WHEELS.....	80
OPTION, SPARE WHEEL 155R13C FOR STANDARD SUMMER TYRES.....	84
OPTION, WINTER TYRES.....	86
OPTION, TOW HITCH / TRAILER PLUG.....	88
OPTION, ROCKINGER HITCH / TRAILER PLUG.....	90
OPTION, COLORS.....	92
OPTION, LEFT LATERAL STORAGE CASE.....	94
OPTION, RIGHT LATERAL STORAGE CASE.....	96
OPTION, CAR RADIO MP3 / BLUETOOTH.....	98
OPTION, USB PLUG.....	100
OPTION, CENTRAL BOX IN CAB.....	102
OPTION, REAR & FORWARD BUZZER.....	104
OPTION, BOTTLE / DOCUMENTS HOLDER.....	106
OPTION, ELECTRIC HEATER.....	108
OPTION, DIESEL HEATING SYSTEM.....	110
OPTION, SECURITY KIT.....	116
OPTION, POWDER EXTINGUISHER.....	118
OPTION, REVERSE BUZZER.....	120
OPTION, ROOF BAR / ELECTRIC HARNESS.....	122
OPTION, FLASHING LIGHT.....	124
OPTION, MEN AT WORK TRIANGLE (AK5).....	126
OPTION, LED WORKING LIGHT.....	128
OPTION, CLASS 2 REFLECTIVE BANDS.....	130
OPTION, REAR LIGHTS PROTECTIVE GRILL.....	132
OPTION, TYPE APPROVAL KIT L7E CU.....	134
OPTION, TYPE APPROVAL KIT N1 KS.....	136
OPTION, TYPE APPROVAL KIT VASP.....	138
OPTION, PRE EQUIPMENT TIPPER OPTION COMBINED.....	140
OPTION, PRE EQUIPMENT MIXED OPTION.....	142





OPTION, PRE-EQUIPEMENT OPTION PICK UP & MIXED.....	<b>144</b>
OPTION, ANTIPUNCTURE TREATMENT FOR WHEELS 155R13C.....	<b>148</b>
OPTION, JACK AND CRANK.....	<b>150</b>
OPTION, RIGHT SIDE GUARD.....	<b>152</b>
OPTION, LEFT SIDE GUARD.....	<b>154</b>
OPTION, ELECTRICAL EXTENSION 5M.....	<b>156</b>
OPTION, TYPE APPROVAL KIT N1 NKS.....	<b>158</b>
OPTION, COMBINED LEAF COLLECTOR G4.....	<b>162</b>
OPTION, DROPSIDE PICKUP.....	<b>170</b>
OPTION, COMBINED PICKUP.....	<b>174</b>
OPTION, TIPPER.....	<b>178</b>
OPTION, COMBINED TIPPER.....	<b>182</b>
OPTION, CANVAS FOR DROPSIDE PICK UP.....	<b>186</b>
OPTION, CANVAS ON DROPSIDE PICK UP / MIXED.....	<b>188</b>
OPTION, CANVAS ON UPPER METAL CAGE.....	<b>190</b>
OPTION, CANVAS ON UPPER METAL CAGE / MIXED.....	<b>192</b>
OPTION, GRATED UPPER METAL CAGE.....	<b>194</b>
OPTION, GRATED METAL CAGE / MIXED.....	<b>196</b>
OPTION, GRATED UPPER METAL CAGE MID HEIGHT.....	<b>198</b>
OPTION, GRATED MID-HEIGHT METAL CAGE / MIXED.....	<b>200</b>
OPTION, SOLID UPPER METAL CAGE.....	<b>202</b>
OPTION, SOLID METAL CAGE / MIXED.....	<b>204</b>
OPTION, REAR GRATED METAL CAGE.....	<b>206</b>
OPTION, REAR SOLID METAL CAGE.....	<b>208</b>
OPTION, WASTE TIPPING COLLECTOR.....	<b>210</b>
OPTION, ROLL UP CANVAS ON WASTE TIPPING COLLECTOR.....	<b>216</b>
OPTION, 2 BROOM HOLDERS FOR WASTE TIPPING COLLECTOR.....	<b>218</b>
OPTION, BOX BACKSIDE CABIN HIGH / MIXED.....	<b>220</b>
OPTION, MIXED HP CLEANER 200L.....	<b>222</b>
OPTION, 500L WATERING SYSTEM.....	<b>226</b>
OPTION, HP CLEANER + 500L TANK.....	<b>230</b>
OPTION, WATERING SYSTEM ON 500L HP CLEANER.....	<b>234</b>
OPTION, 3M TELESCOPIC WATERING POLE.....	<b>236</b>
OPTION, 4 TIEDOWN RINGS / PICKUP.....	<b>238</b>



OPTION, 4 TIEDOWN RINGS / DROPSIDE TIPPER.....	<b>240</b>
OPTION, VAN.....	<b>242</b>
OPTION, COMBINED VAN.....	<b>246</b>
OPTION, RIGHT SHUTTER.....	<b>250</b>
OPTION, COMBINED RH SHUTTER.....	<b>254</b>
OPTION, LEFT SHUTTER.....	<b>258</b>
OPTION, COMBINED LH SHUTTER.....	<b>262</b>
OPTION, REAR SHUTTER.....	<b>266</b>
OPTION, MID-HEIGHT SHELF FOR COMBINED VAN.....	<b>272</b>
OPTION, INTERIOR LIGHT.....	<b>274</b>
OPTION, CENTRAL LOCKING FOR 2 SHUTTER.....	<b>276</b>
OPTION, CENTRAL LOCKING ON SIDE SHUTTER.....	<b>278</b>
OPTION, INTERIOR LIGHT FOR 1 SHUTTER.....	<b>280</b>
OPTION, INTERIOR LIGHT FOR 2 SHUTTERS.....	<b>282</b>
OPTION, INTERIOR LIGHT FOR 3 SHUTTERS.....	<b>284</b>
OPTION, REEFER VAN FRCX BUILT IN COLD UNIT.....	<b>288</b>
OPTION, AIR-CONDITIONING G4.....	<b>290</b>
OPTION, REAR VIEW CAMERA (LEAD ACID).....	<b>294</b>
OPTION, REAR VIEW CAMERA (LITHIUM).....	<b>296</b>
OPTION, NET ON METAL CAGE.....	<b>298</b>
OPTION, NET ON METAL CAGE.....	<b>300</b>
OPTION, NET ON METAL CAGE.....	<b>302</b>
OPTION, MODE 2/3 CHARGING.....	<b>304</b>
OPTION, FRONT MESH CAGE.....	<b>306</b>
OPTION, TYPE 2/NF CABLE.....	<b>308</b>
OPTION, TYPE 2/TYPE 2 CABLE.....	<b>310</b>
OPTION, TYPE 2 L MODE 2/3 CHARGING PLUG.....	<b>312</b>
OPTION, WING MIRRORS FOR PICNIC BOX VAN.....	<b>314</b>
OPTION, HEAVY DUTY DOORS.....	<b>316</b>
OPTION, HEAVY DUTY DOORS.....	<b>320</b>
OPTION, LITHIUM 48V 9.2KW BATTERY.....	<b>324</b>
OPTION, LITHIUM 48V 13.8KW BATTERY.....	<b>326</b>
OPTION, LITHIUM 48V 20.9KW BATTERY.....	<b>328</b>

## Applies to 7455001-09

## CONTROLLER PARAMETERS

DL	Part No.	Qty	Part Description	Notes
↓	1400576	1	CONTROLLER PARAMETER SETTINGS	25 KM/H — 15.5 MPH
↓	1400560	1	CONTROLLER PARAMETER SETTINGS	40 KM/H — 24.8 MPH
↓	1400580	1	CONTROLLER PARAMETER SETTINGS	50 KM/H — 30 MPH
↓	1400575	1	CONTROLLER PARAMETER SETTINGS	20 KM/H — 12.4 MPH
↓	1400577	1	CONTROLLER PARAMETER SETTINGS	27 KM/H — 16.7 MPH
↓	1400559	1	CONTROLLER PARAMETER SETTINGS	30 KM/H — 18.6 MPH

## CHARGER PARAMETERS (LITHIUM E4V / LDG)

DL	Part No.	Qty	Part Description	Notes
↓	1410401	1	CHARGER PARAMETER	150 AH — 7.2 KW
↓	1410401	1	CHARGER PARAMETER	200 AH — 9.2 KW
↓	1410401	1	CHARGER PARAMETER	300 AH — 13.8 KW
↓	1410401	1	CHARGER PARAMETER	435 AH — 20.9 KW

## CHARGER PARAMETERS (LEAD ACID)

DL	Part No.	Qty	Part Description	Notes
↓	1410404	1	CHARGER PARAMETER	180 AH — 8.6 KW
↓	1410408	1	CHARGER PARAMETER	240 AH — 11.5 KW
↓	1410409	1	CHARGER PARAMETER	320 AH — 15.4 KW

## OPERATOR AND SAFETY MANUAL

DL	Part No.	Qty	Part Description	Notes
↓	1700094-03EN	1	OPERATOR AND SAFETY MANUAL	EN
↓	1700094-03FR	1	OPERATOR AND SAFETY MANUAL	FR
↓	1700094-03DE	1	OPERATOR AND SAFETY MANUAL	DE
↓	1700094-03MX	1	OPERATOR AND SAFETY MANUAL	MX

## Applies to 7455001-09

## SERVICE MANUAL

DL	Part No.	Qty	Part Description	Notes
↓	1700105EN	1	SERVICE MANUAL	EN
↓	1700105FR	1	SERVICE MANUAL	FR

## WIRING DIAGRAM

DL	Part No.	Qty	Part Description	Notes
↓	1100261	1	WIRING DIAGRAM	

## HARNESSE DIAGRAM

DL	Part No.	Qty	Part Description	Notes
↓	6200857	1	MAIN HARNESSE DIAGRAM	

Note : Only generics controller parameter settings are shown. For a special enquiry, please contact our aftersales service.

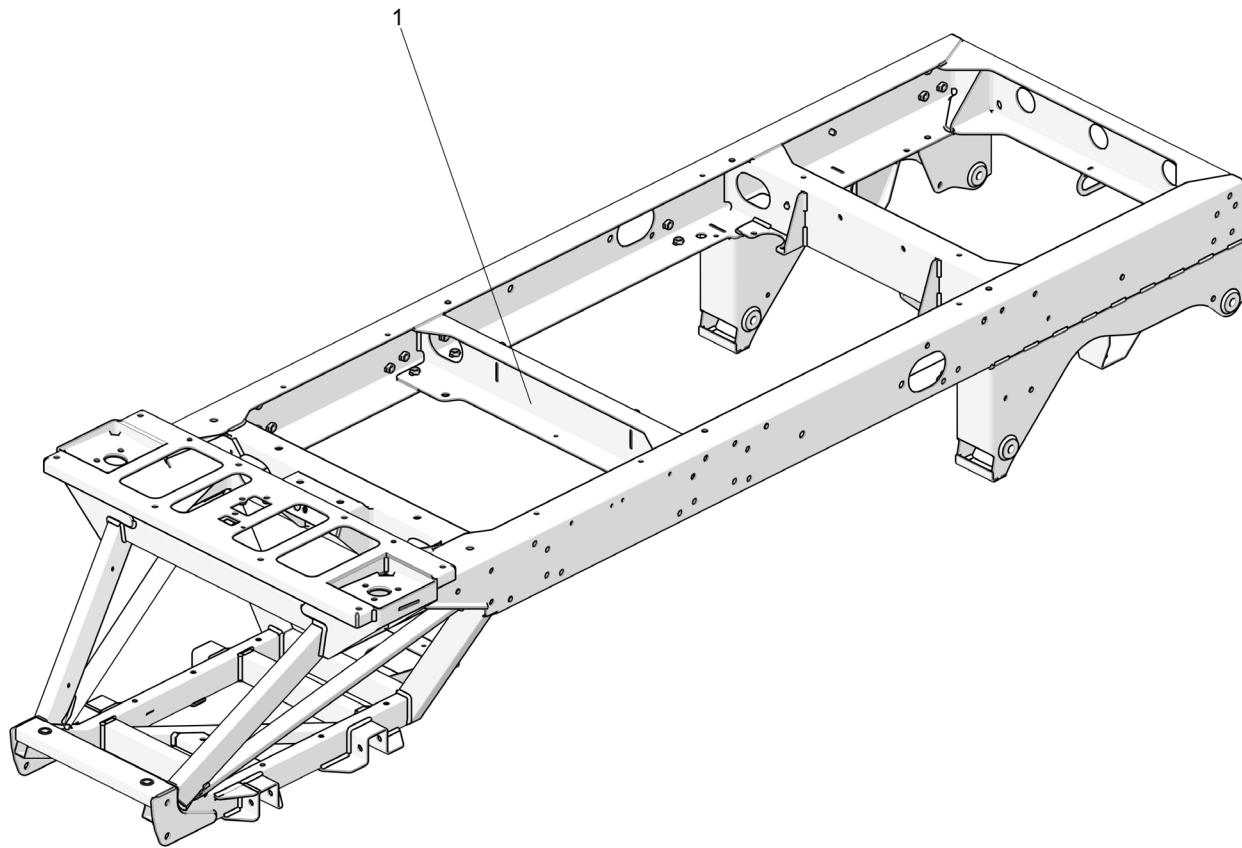
Always check the original controller parameter settings installed on the vehicle before flashing it. Do never use a different setting than the original. Goupil is not responsible for improper use of a controller parameter setting. Use it at your own risks.

Note : Seuls les paramètres standards sont représentés. Pour une requête spéciale, merci de contacter le service après vente.

Toujours vérifier le paramètre installé d'origine sur le véhicule avant de le flasher. Ne jamais utiliser un paramètre différent que l'original. Goupil n'est pas responsable de la mauvaise utilisation d'un paramètre. Utilisez le à vos risques et périls.

CHASSIS, FRAME

Applies to 7455001-09 [7200151-03]



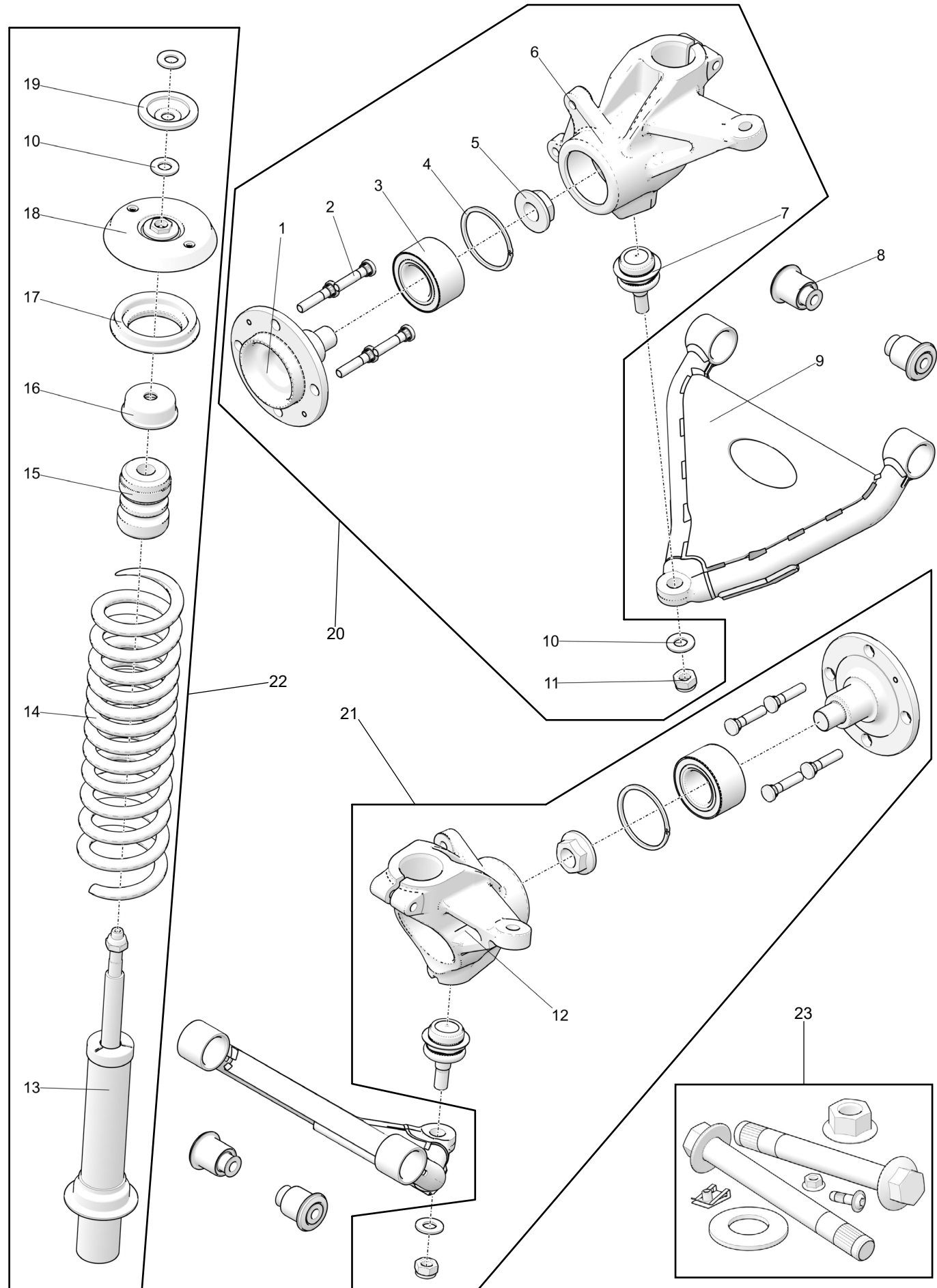
CHASSIS, FRAME

Applies to 7455001-09 [7200151-03]

Ref.	Part No.	Qty	Part Description	Notes
1	6004377	1	MAIN FRAME	

SUSPENSION, FRONT SUSPENSION

Applies to 7455001-09 [7200152-05]



© 2022 Polaris W&T

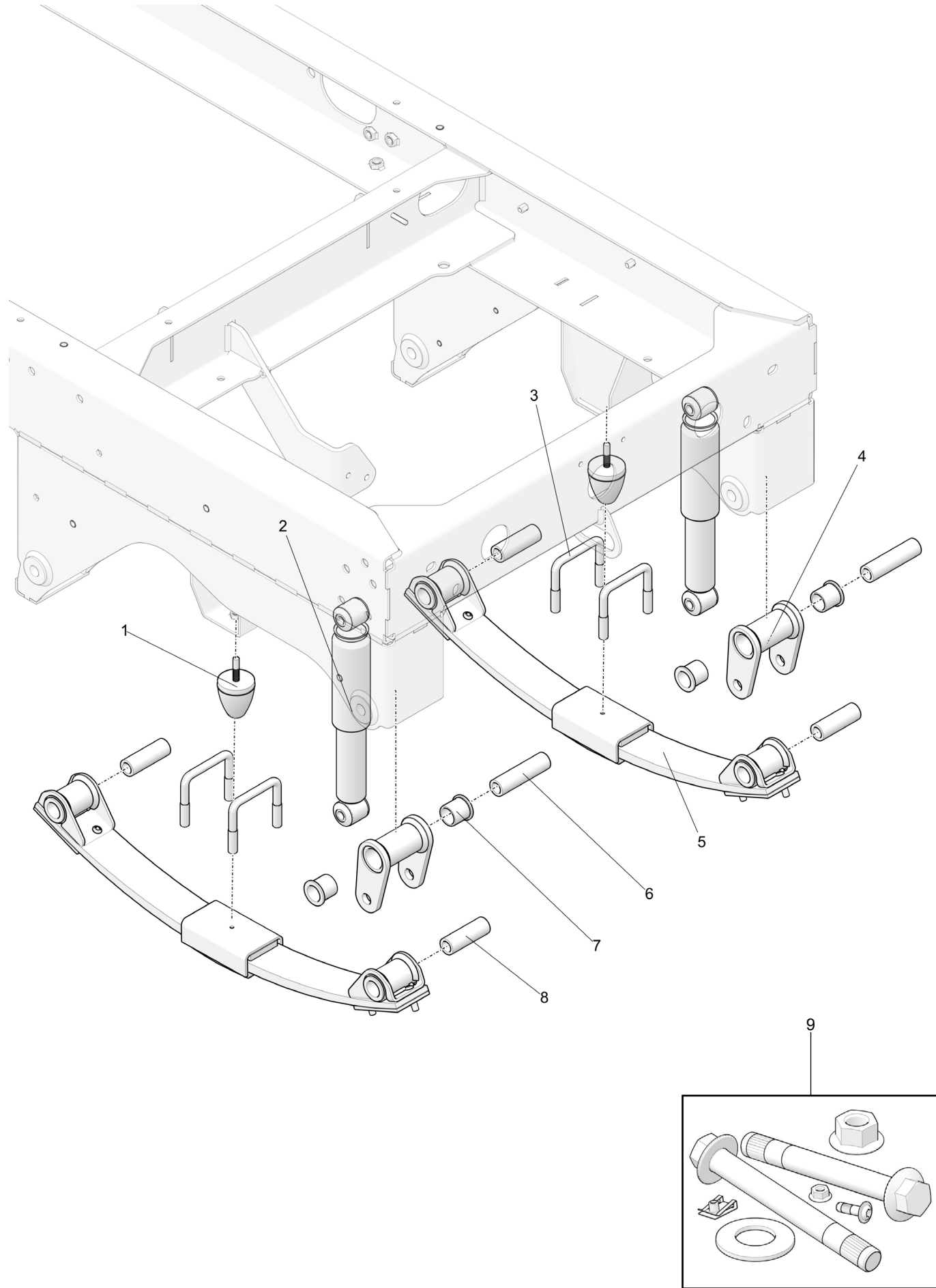
SUSPENSION, FRONT SUSPENSION

Applies to 7455001-09 [7200152-05]

Ref.	Part No.	Qty	Part Description	Notes
1	6200796	2	AXLE	
2	6206105	8	STUD	
3	4151052	2	BEARING	
4	5450032	2	RING RETAINER	
5	5250081	2	NUT	
6	6200794	1	CARRIER BEARING FRONT LEFT	
7	4151130	2	BALL JOINT	
8	4150247	4	SILENTBLOC	
9	7102100	2	CONTROL ARM, LOWER, FRONT	
10	5300029	6	WASHER	
11	5150014	2	THREAD LOCK	
12	6200795	1	CARRIER BEARING FRONT RIGHT	
13	6207751	2	FRONT SHOCK ABSORBER	
14	6200520	2	SPRING	
15	4150756	2	STOP	
16	4150828	2	STOP CUP	
17	6107878	2	BOWL	
18	4150623	2	FRONT DAMPER ATTACHMENT ASSEMBLY	
19	4150625	2	CUP	
20	7140675	1	CARRIER-BEARING FRONT LEFT KIT ASM	
21	7140676	1	CARRIER-BEARING FRONT RIGHT KIT ASM	
22	7140730	2	FRONT SHOCK ABSORBER KIT ASM	
23	7140901	1	FRONT SUSPENSION SCREWS KIT	

**SUSPENSION, REAR SUSPENSION**

**Applies to 7455001-09 [7200153-02]**



© 2022 Polaris W&T

**SUSPENSION, REAR SUSPENSION**

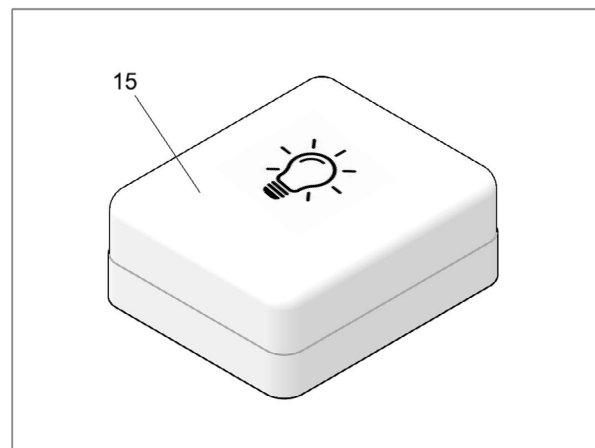
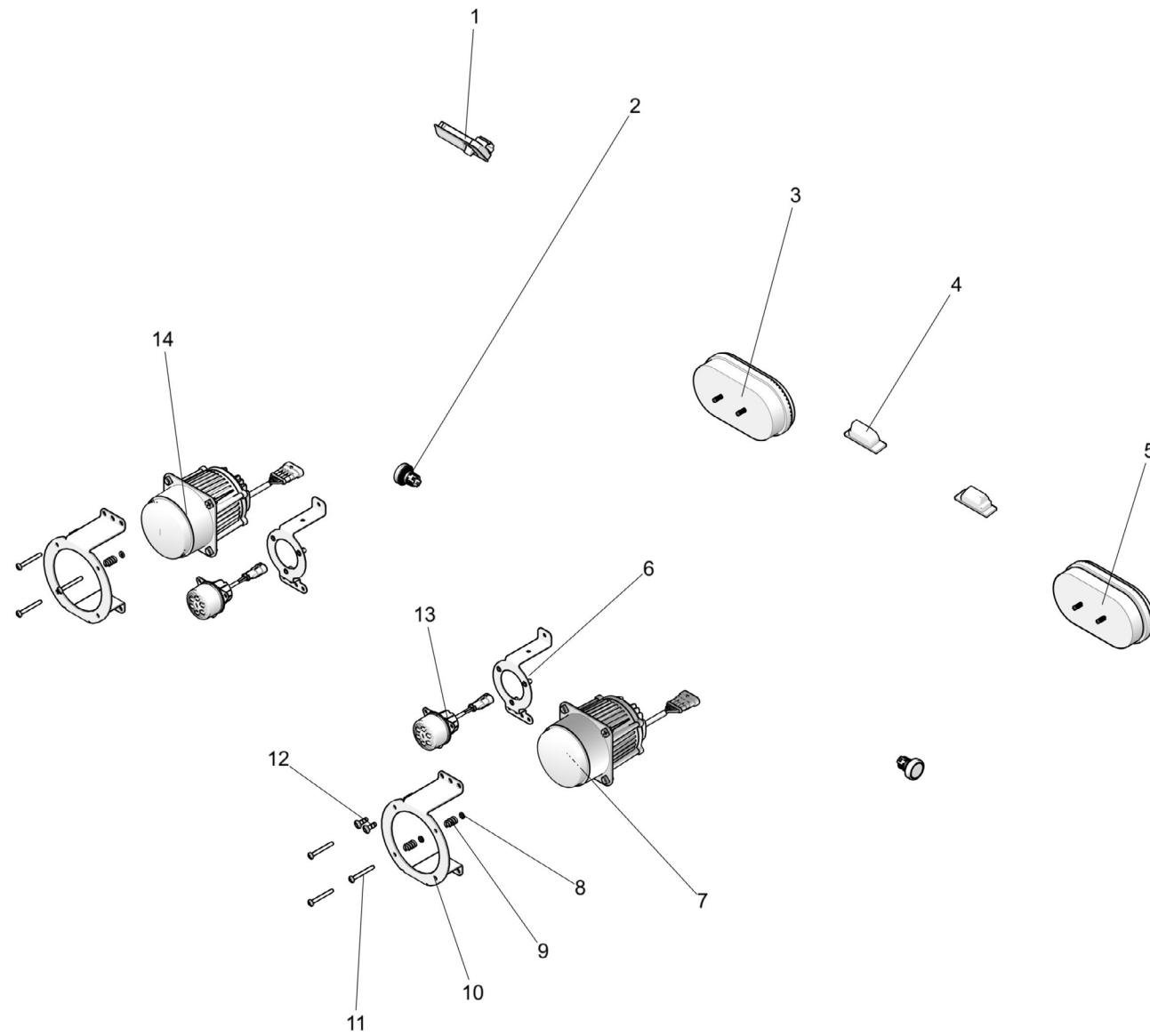
**Applies to 7455001-09 [7200153-02]**

Ref.	Part No.	Qty	Part Description	Notes
1	4150096	2	PROGRESSIVE STOP	
2	6200501	2	REAR DAMPER	
3	6200006	4	SUSPENSION CALIPER	
4	6004363	2	SUSPENSION SHACKLE	
5	6207438	2	SUSPENSION BLADE	
6	6111411	2	BLADE SPACER	
7	4151030	4	BEARING	
8	6111415	4	BLADE SPACER	
9	7140902	1	REAR SUSPENSION SCREWS KIT	



*ELECTRICAL, LIGHTS*

Applies to 7455001-09 [7200154-11]



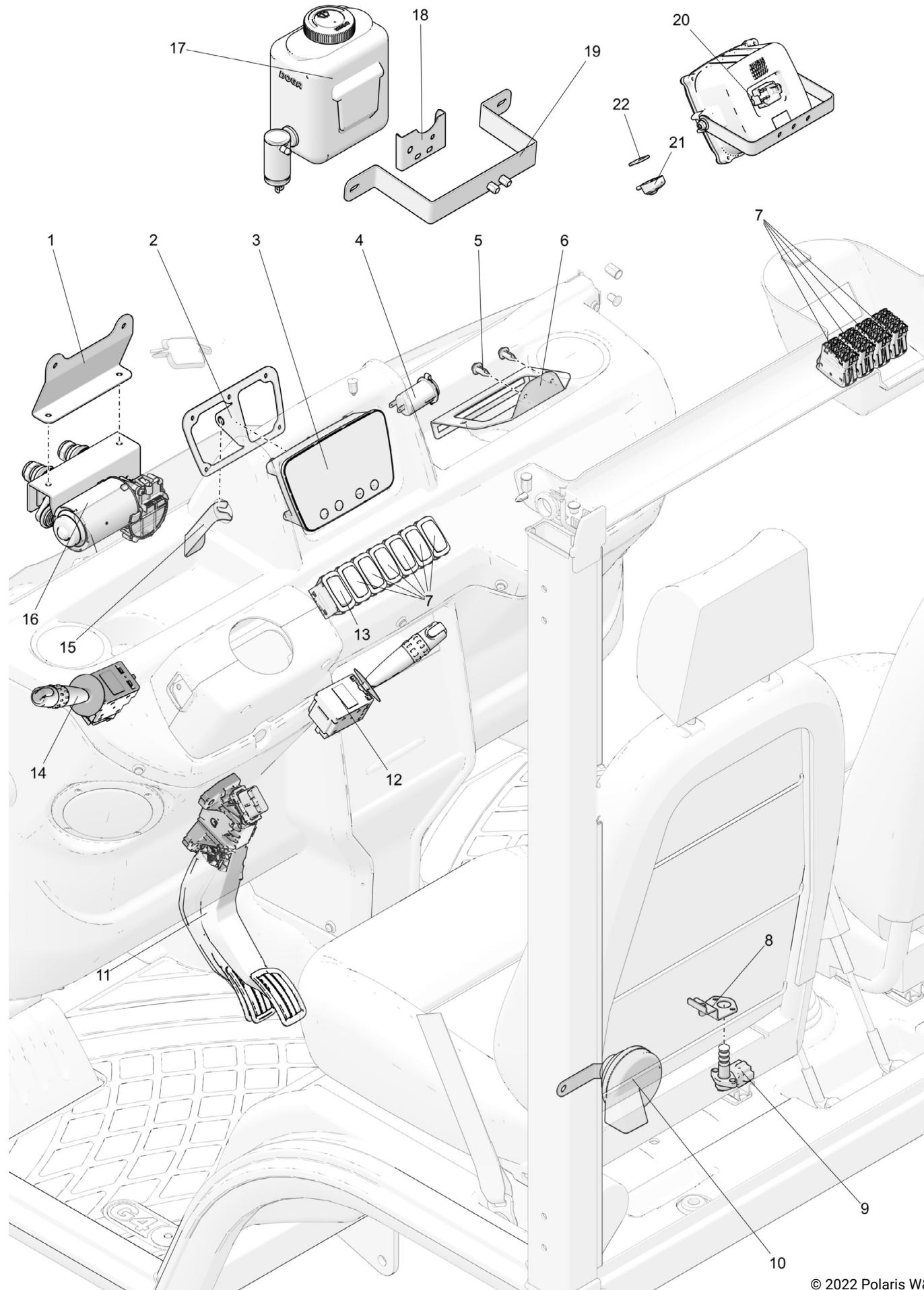
*ELECTRICAL, LIGHTS*

Applies to 7455001-09 [7200154-11]

Ref.	Part No.	Qty	Part Description	Notes
1	3450273	1	CEILING LIGHT	
2	3550129	2	SIDE INDICATOR REPEATER	
3	3550141	1	REAR LIGHT	
4	3550107	2	NUMBER PLATE LIGHT	
5	3550140	1	REAR LIGHT	
6	6004592	2	LIGHT INDICATOR BRACKET	
7	3550146	1	LEFT FRONT LIGHT	
8	5300005	6	WASHER	
9	5350018	6	SPRING	
10	6112531	2	HEAD LIGHT BRACKET	
11	5105098	6	SCREW	
12	5105013	4	SCREW	
13	7102261	2	LED TURN INDICATOR	
14	3550147	1	RIGHT FRONT LIGHT	
15	3550043	1	SPARE BULBS	

*ELECTRICAL, DASH INSTRUMENT*

Applies to 7455001-09 [7200154-11]



© 2022 Polaris W&T

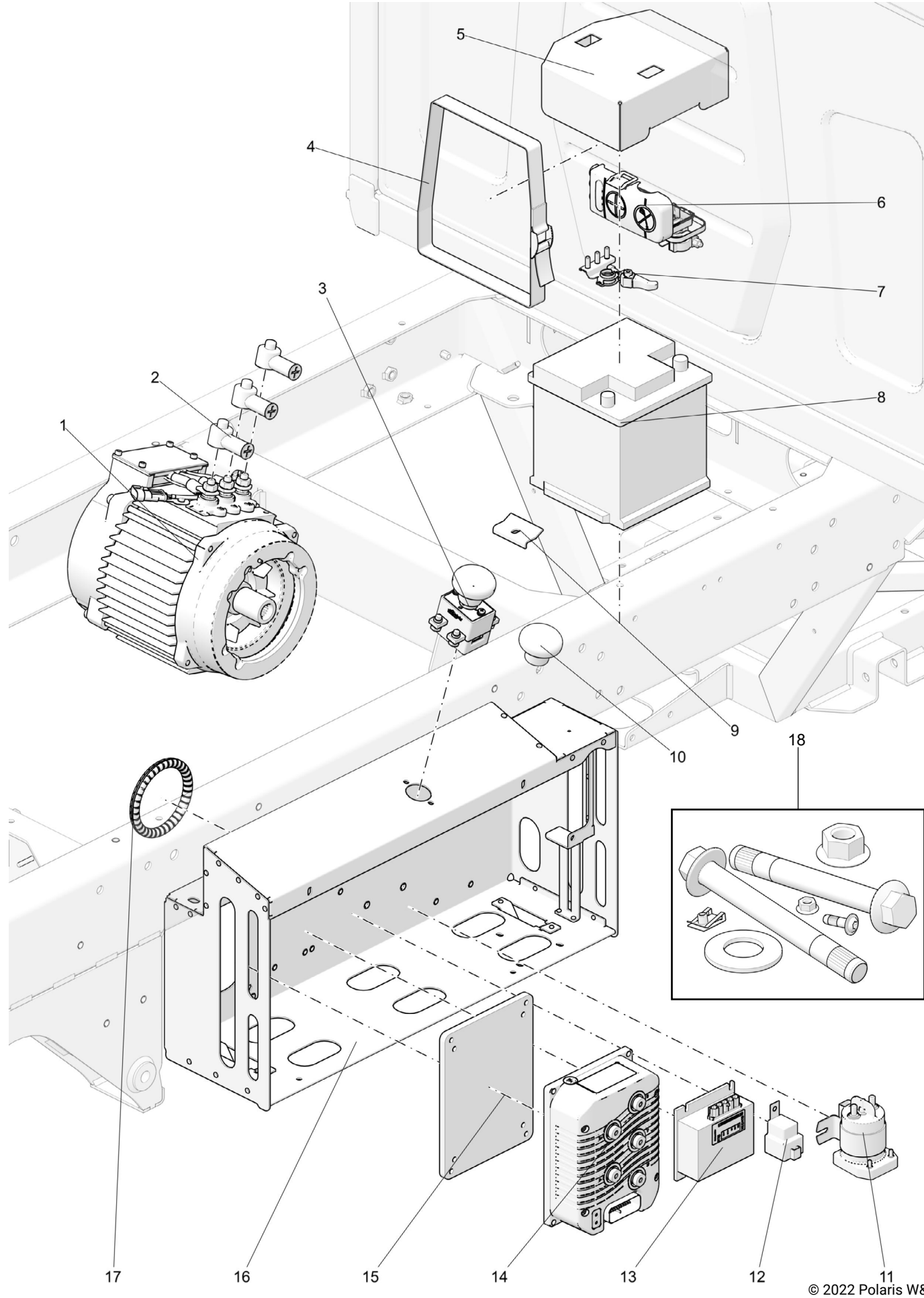
*ELECTRICAL, DASH INSTRUMENT*

Applies to 7455001-09 [7200154-11]

Ref.	Part No.	Qty	Part Description	Notes
1	6109965	1	WIPER MOTOR CARRIER	
2	6004378	1	DISPLAY UNIT MOUNTING PLATE	
3	3450499	1	DISPLAY	
4	104012393	1	12V RECEPTACLE	
5	107661855	2	PLASTIC RIVET	
6	6112532	1	RELAY SUPPORT BRACKET	
7	3450474	10	CAP	
8	6004351	1	HANDBRAKE SENSOR BRACKET	
9	3450513	1	HAND BRAKE SENSOR	
10	3450066	1	HORN	
11	3450631	1	THROTTLE PEDAL	
12	3450551	1	RIGHT STALK	
13	3450467	1	SWITCH WARNING	
14	3450530	1	LEFT STALK	
15	6111497	1	DISPLAY UNIT HOLDING BRACKET	
16	3500227	1	WIPER MOTOR	
17	4150934	1	WINDSCREEN WASHER TANK	
18	2101085	1	WASHER TANK SUPPORT	
19	6004687	1	WINDSCREEN WASHER TANK BRACKET	
20	3450565	1	AVAS	
21	3450673	1	AUTOLIGHT SENSOR	
22	2101337	1	DOUBLE SIDED TABLET	

*ELECTRICAL, AC MOTOR, CONTROLLER BOX*

Applies to 7455001-09 [7200154-11]



© 2022 Polaris W&T

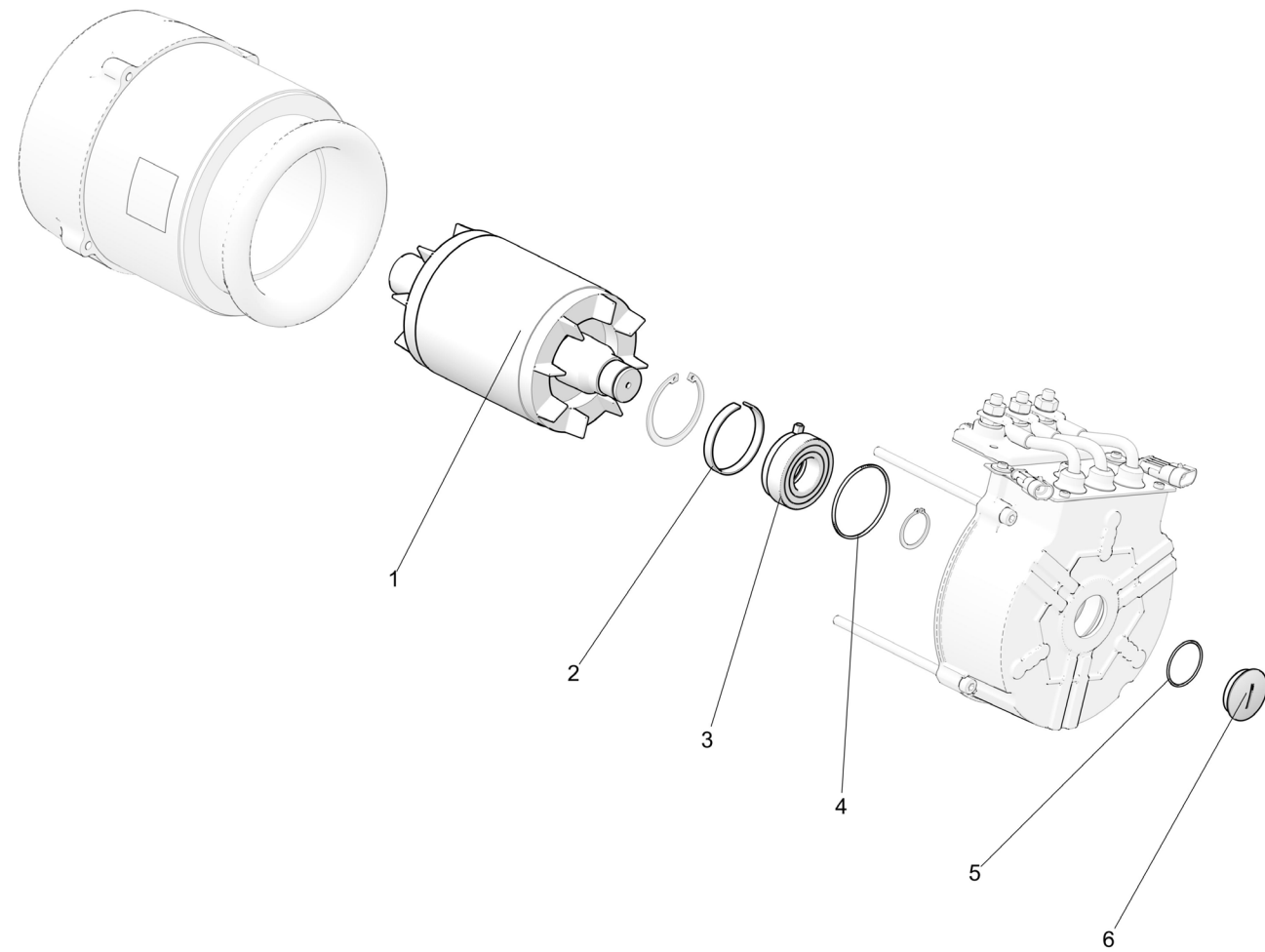
*ELECTRICAL, AC MOTOR, CONTROLLER BOX*

Applies to 7455001-09 [7200154-11]

Ref.	Part No.	Qty	Part Description	Notes
1	3500289	1	AC MOTOR	
2	3450242	3	MOTOR TERMINAL COVER	
3	3450528	1	CIRCUIT BREAKER	
4	6207392	1	BATTERY COVER STRAP	
5	6110955	1	12V BATTERY COVER	
6	3450434	1	TERMINAL BLOCK WITH FUSES	
7	3450435	1	BATTERY TERMINAL	
8	3500209	1	12V BATTERY	
9	6108733	1	ATTACHING FLANGE	
10	2150035	1	EMERGENCY STOP BUTTON	
11	104012818	1	CONTACTOR 48V	
12	3450494	1	RELAY	
13	3500274	1	CONVERTER	
14	3500327	1	CONTROLLER	
15	6109796	1	CONTROLLER HEATSINK	
16	6004302	1	ELECTRIC BOX	
17	7000237	1	RINGED SHEATH	
18	7140903	1	ELECTRICAL BOX SCREWS KIT	

*ELECTRICAL, AC MOTOR*

**Applies to 7455001-09 [7200154-11]**



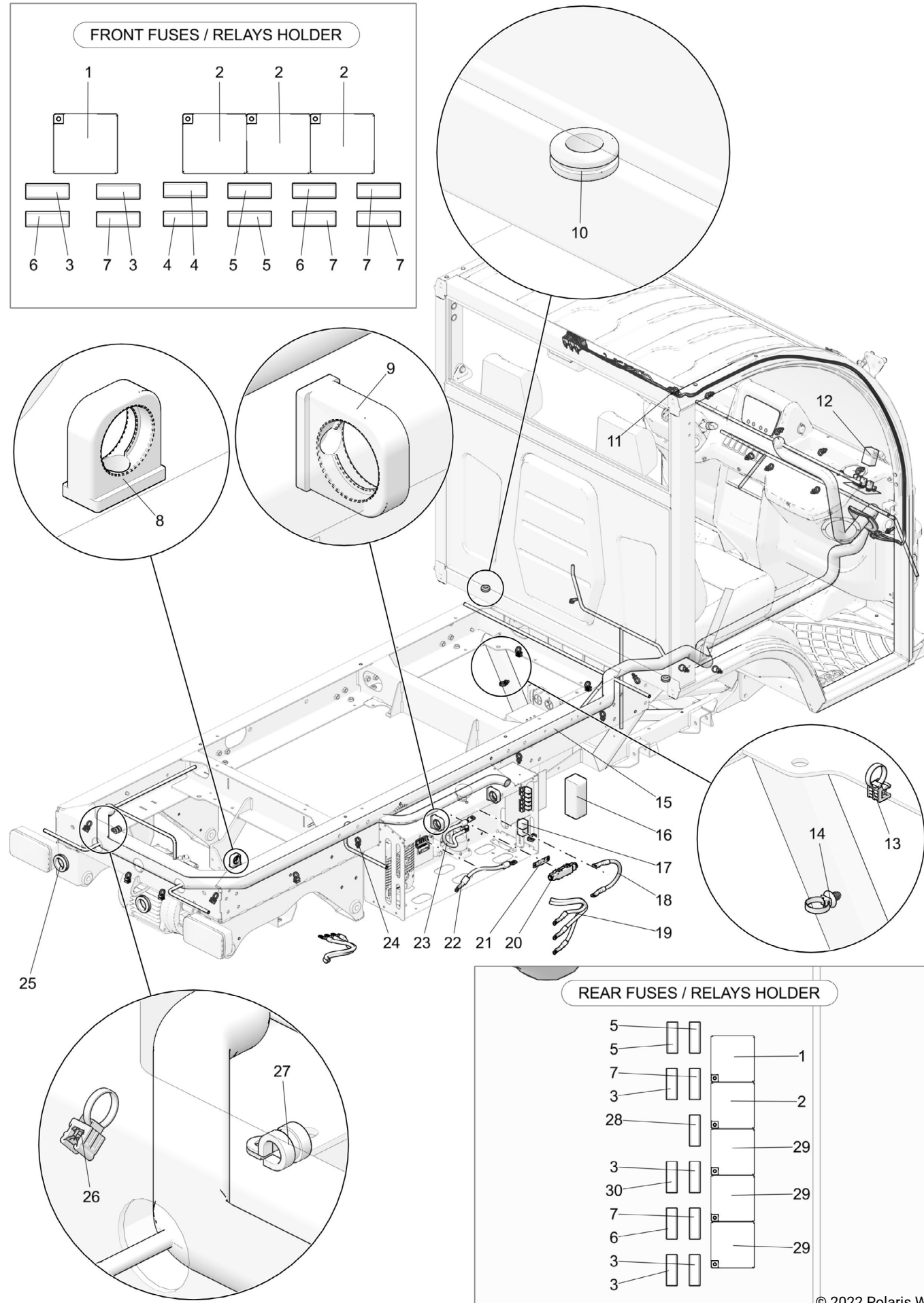
*ELECTRICAL, AC MOTOR*

**Applies to 7455001-09 [7200154-11]**

Ref.	Part No.	Qty	Part Description	Notes
1	2100729	1	ROTOR	
2	2100436	1	SPACER	
3	2100434	1	ENCODER BEARING	
4	2100435	1	SEAL	
5	2100727	1	CIRCLIP	
6	2100726	1	ALUMINIUM COVER	

**ELECTRICAL, HARNESS, FUSES, RELAYS**

**Applies to 7455001-09 [7200154-11]**



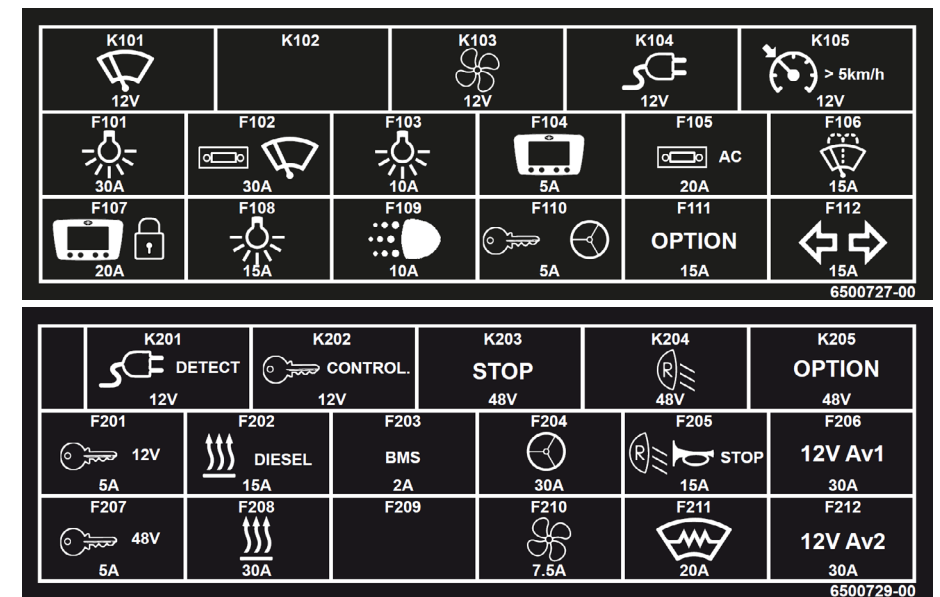
**ELECTRICAL, HARNESS, FUSES, RELAYS**

**Applies to 7455001-09 [7200154-11]**

Ref.	Part No.	Qty	Part Description	Notes
1	104011284	2	RELAY	K101, K201
2	104011283	4	RELAY	K103, K104, K105, K202
3	3450415	6	MINIFUSE 30A	F101, F102, F204, F206, F208, F212
4	3450414	2	MINIFUSE 10A	F103, F109
5	3450417	4	MINIFUSE 5A	F104, F110, F201, F207
6	3450458	3	MINIFUSE 20A	F105, F107, F211
7	3450416	6	MINIFUSE 15A	F106, F108, F111, F112, F202, F205
8	3450440	1	CLIP	
9	3450445	2	CLIP	
10	4250008	2	CABLE GLAND	
11	6200726	1	HARNESS	
12	3450595	1	INDICATOR RELAY UNIT	K106
13	3450441	6	CLIP	
14	3200045	12	COLLAR	
15	6200857	1	HARNESS	
16	2101080	1	REAR FUSE/RELAY CENTER	
17	3450436	1	RELAY	
18	6301078	1	CABLE	
19	6200294	1	MOTOR HARNESS G4	
20	3450163	1	FUSE HOLDER	
21	3450314	1	FUSE	
22	6301077	1	CABLE	
23	6301079	1	CABLE	
24	3200052	5	COLLAR	
25	4250177	2	GROMMET	
26	3200048	2	CLIP	
27	4150874	1	COLLAR	
28	3450520	1	MINIFUSE 2A	F203
29	104012851	3	RELAY 48V	K203, K204, K205
30	3450413	1	MINIFUSE 7.5A	F210
	7140819	1	FUSES / RELAYS SET	

FRONT FUSES/RELAYS  
HOLDER LABELS

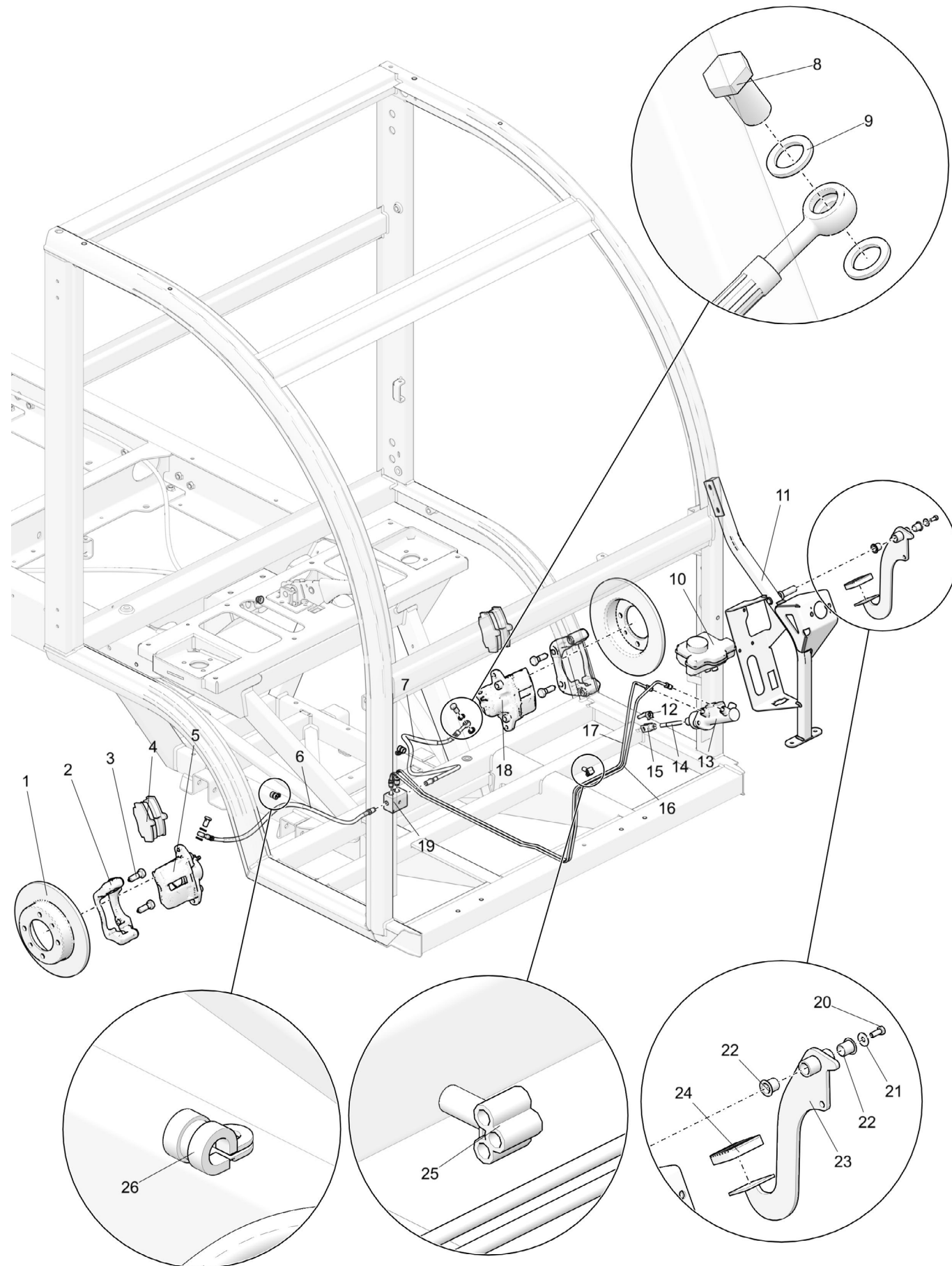
REAR FUSES/RELAYS  
HOLDER LABELS





**BRAKES, FRONT BRAKE**

**Applies to 7455001-09 [7200155-06]**



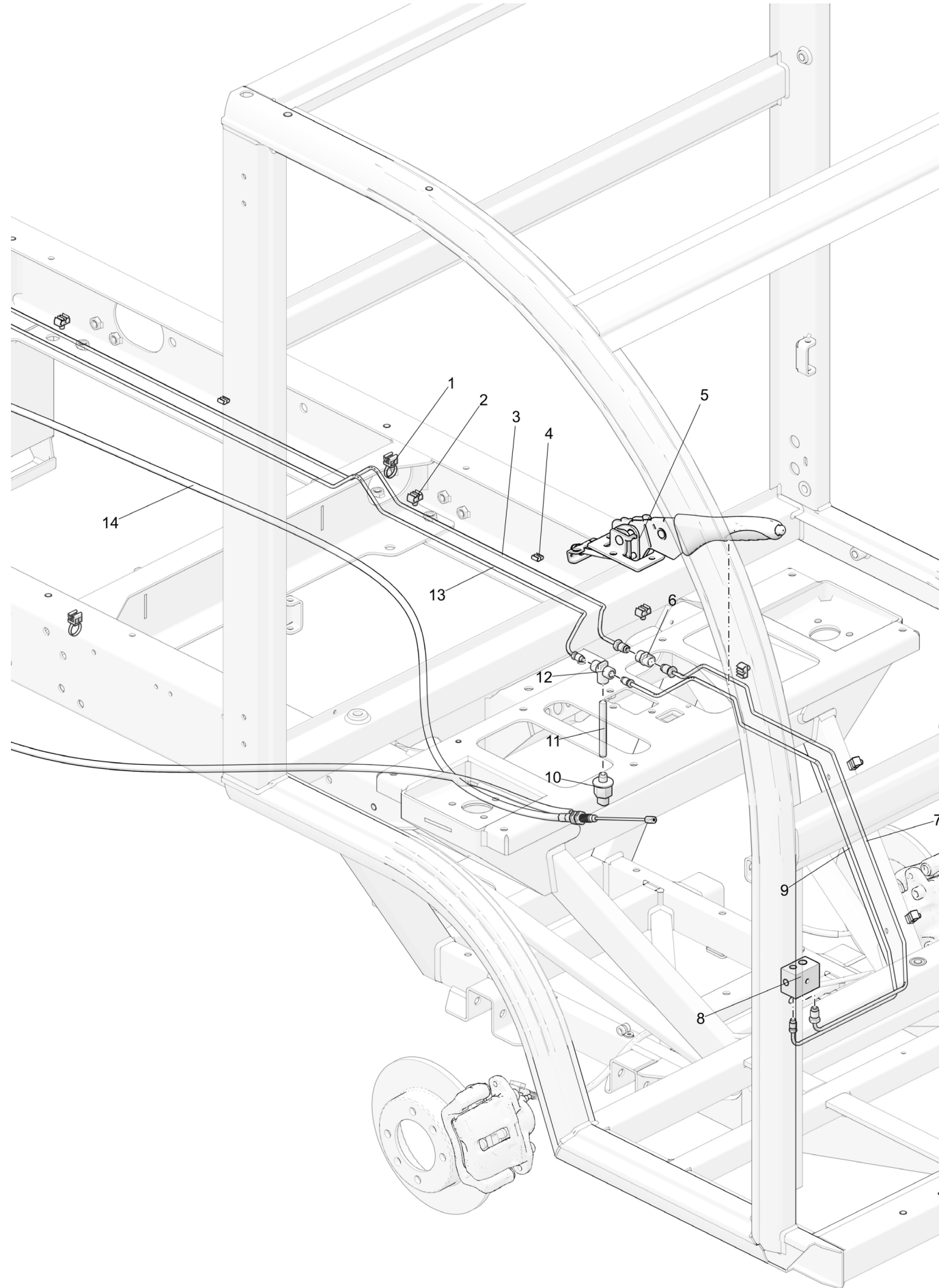
**BRAKES, FRONT BRAKE**

**Applies to 7455001-09 [7200155-06]**

Ref.	Part No.	Qty	Part Description	Notes
1	7140732	1	BRAKES DISCS KIT	
2	4000515	2	FRONT BRAKE CALIPER SUPPORT	
3	5050104	4	SCREW	
4	7140616	1	4 BREAK PAD KIT	
5	4000514	1	FRONT RH BRAKE CALIPER	
6	6400046	1	FRONT RIGHT BRAKE HOSE	
7	6400044	1	FRONT LEFT BRAKE HOSE	
8	4000440	2	HOLLOW SCREW	
9	4000011	4	COPPER SEAL RING	
10	4000536	1	BRAKE FLUID TANK	
11	6004610	1	SUPPORT PEDAL	
12	4150042	1	SAFETY ROD	
13	4000542	1	MASTER CYLINDER	
14	6101373	1	THRUST ROD	
15	4150014	1	COVER	
16	6207463	1	FRONT M12 BRAKE PIPE	
17	6207462	1	FRONT M10 BRAKE PIPE	
18	4000513	1	FRONT LH BRAKE CALIPER	
19	4000511	1	BRAKE COUPLING 6 WAYS	
20	5050025	1	SCREW	
21	5300019	1	WASHER	
22	4150957	2	BUSHING	
23	6004059	1	BRAKE PEDAL	
24	4150898	1	BRAKE PEDAL RUBBER PAD	
25	4151034	1	PIPE CLIP	
26	4150733	2	COLLAR	

**BRAKES, FRONT BRAKE**

**Applies to 7455001-09 [7200155-06]**



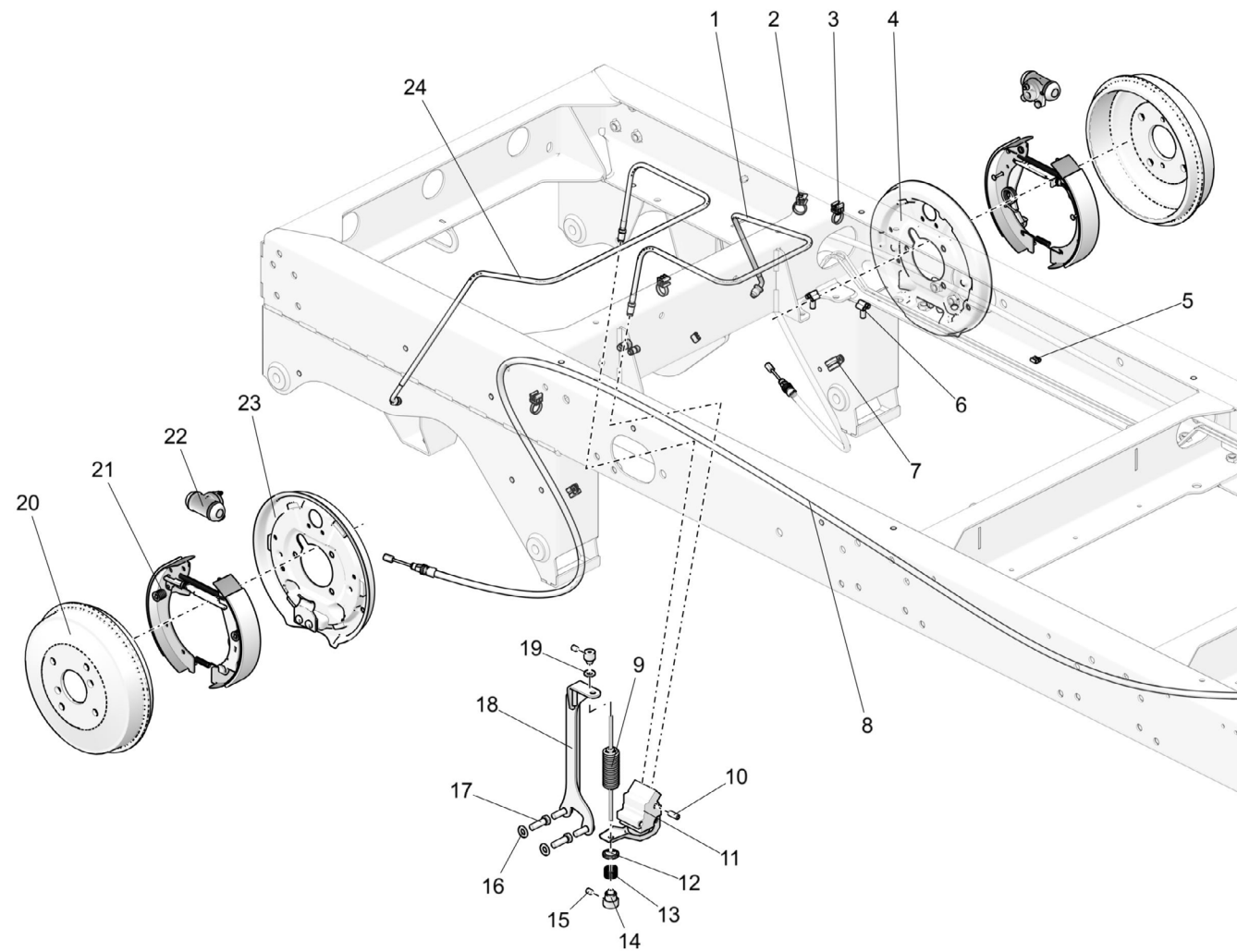
**BRAKES, FRONT BRAKE**

**Applies to 7455001-09 [7200155-06]**

Ref.	Part No.	Qty	Part Description	Notes
1	3200048	2	CLIP	
2	4150958	6	PIPE CLIP	
3	6207456	1	BRAKE PIPE	
4	4151037	2	CLIP	
5	4150508	1	HAND BRAKE LEVER	
6	4000512	1	BRAKE CONNECTION	
7	6207465	1	BRAKE PIPE	
8	4000511	1	BRAKE COUPLING 6 WAYS	
9	6207464	1	BRAKE PIPE	
10	4000371	1	PROPORTIONAL HYDRAULIC SENSOR	
11	6207219	1	BRAKE SENSOR ISOLATION HOSE	
12	4000476	1	T-UNION	
13	6207455	1	BRAKE PIPE	
14	6400035	1	HAND BRAKE CABLE	

**BRAKES, REAR BRAKE**

**Applies to 7455001-09 [7200155-06]**



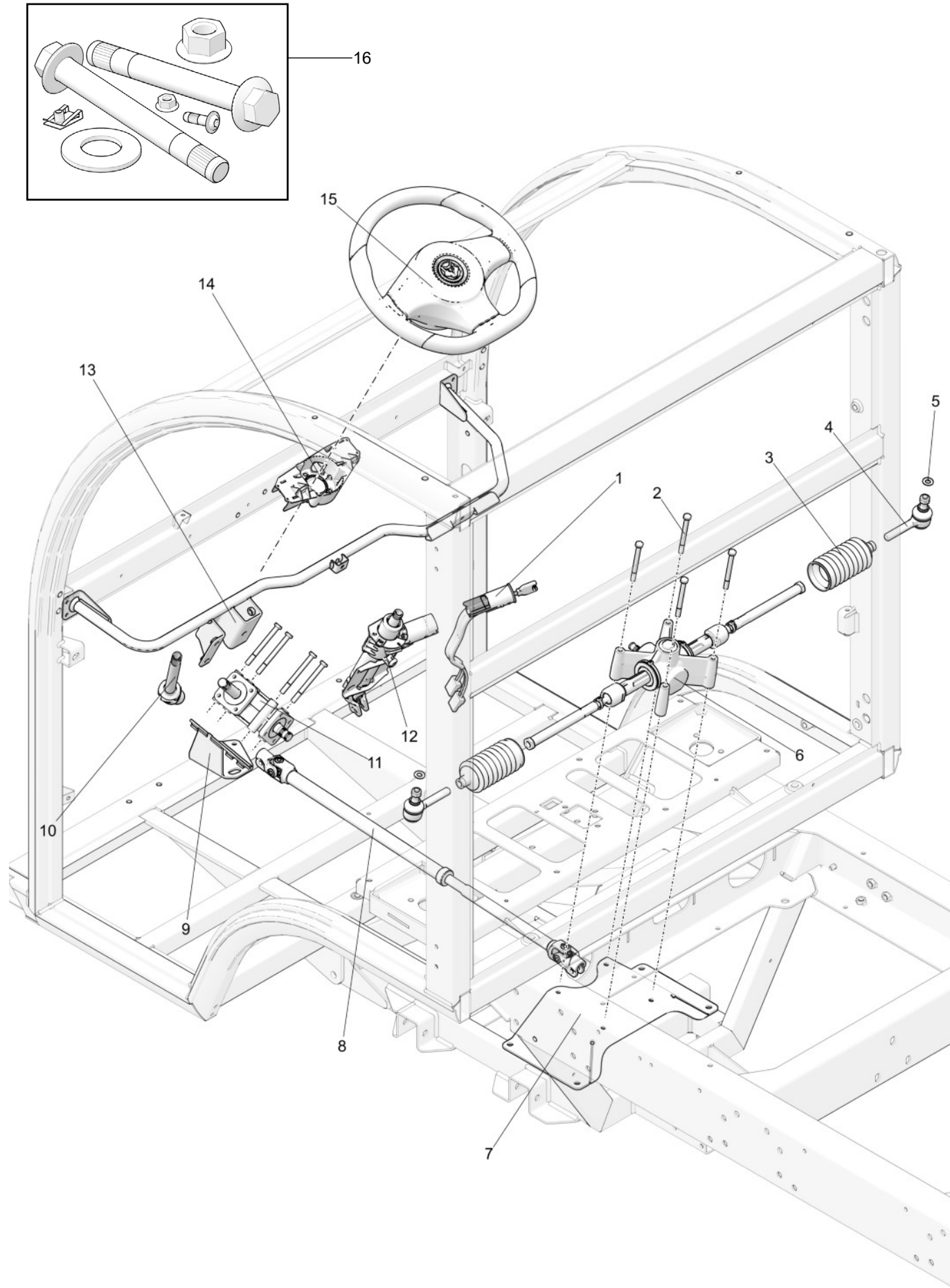
**BRAKES, REAR BRAKE**

**Applies to 7455001-09 [7200155-06]**

Ref.	Part No.	Qty	Part Description	Notes
1	6400037	1	REAR LH BRAKE HOSE	
2	3450441	2	CLIP	
3	3200048	2	CLIP	
4	4151035	1	BRAKE PLATE LH	
5	4151037	2	CLIP	
6	4151034	2	PIPE CLIP	
7	4150504	2	COLLAR	
8	6400035	1	HAND BRAKE CABLE	
9	5350016	1	SPRING	
10	5450026	1	ROLL PIN	
11	4150933	1	BRAKE LOAD COMPENSATOR	
12	6700604	1	COMPENSATOR SPRING STOP	
13	5350019	1	COMPENSATOR STOP SPRING	
14	6700605	1	COMPENSATOR SPRING STOP	
15	5100159	2	BOLT	
16	5300002	2	WASHER	
17	5100163	2	SCREW	
18	6004190	1	BRAKER REGULATOR BRACKET	
19	6207859	1	SPACER STOP SPRING REGULATOR	
20	6206090	2	BRAKE DRUM	
21	4000525	1	BRAKE KIT	
22	2100148	1	WHEEL CYLINDER (FRONT ON G3/REAR ON G4)	
23	4151036	1	BRAKE PLATE RH	
24	6400038	1	REAR RH BRAKE HOSE	

STEERING, STEERING ASM (WITHOUT POWER STEERING)

Applies to 7455001-09 [7200156-05]



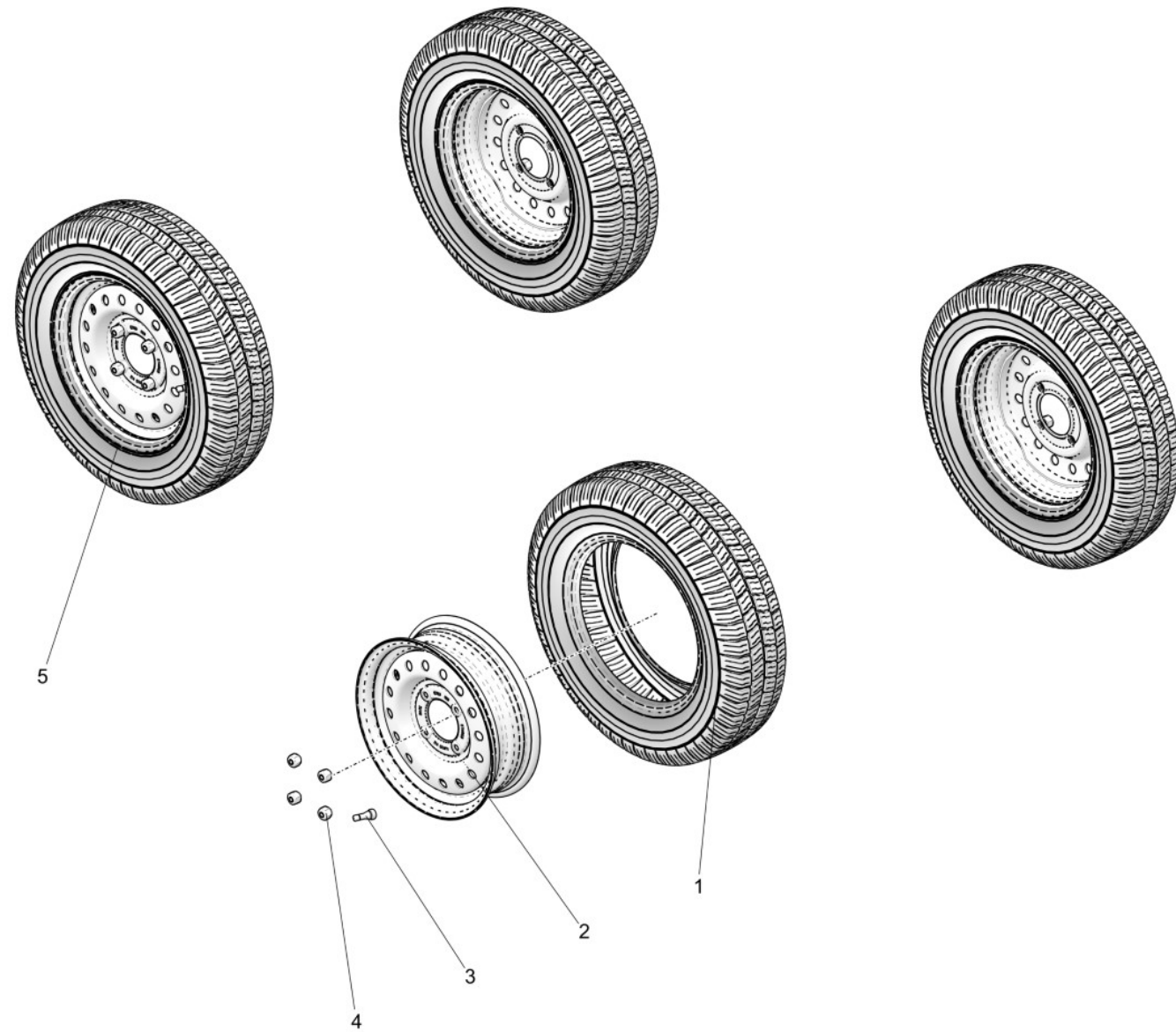
STEERING, STEERING ASM (WITHOUT POWER STEERING)

Applies to 7455001-09 [7200156-05]

Ref.	Part No.	Qty	Part Description	Notes
1	3500216	1	ANTITHEFT IGNITION SWITCH (WITH 2 KEYS)	
2	5050109	8	SCREW	
3	2100765	1	STEERING RACK BOOT	
4	2100764	1	TIE ROD END	
5	5300002	2	WASHER	
6	6200507	1	STEERING RACK	
7	6110368	1	STEERING RACK BRACKET	
8	6200505	1	STEERING SHAFT	
9	6004062	1	ANGULAR GEARBOX BRACKET	
10	6200504	1	STEERING SHAFT	
11	6201474	1	ANGULAR GEARBOX	
12	124AX022	1	STEERING COLUMN	
13	6004061	1	STEERING COLUMN SUPPORT	
14	105452254	1	RECEIVER-TURN STALK	
15	4200523	1	STEERING WHEEL	
16	7140905	1	STEERING COLUMN SCREWS KIT	

WHEELS

Applies to 7455001-09 [7200157-02]



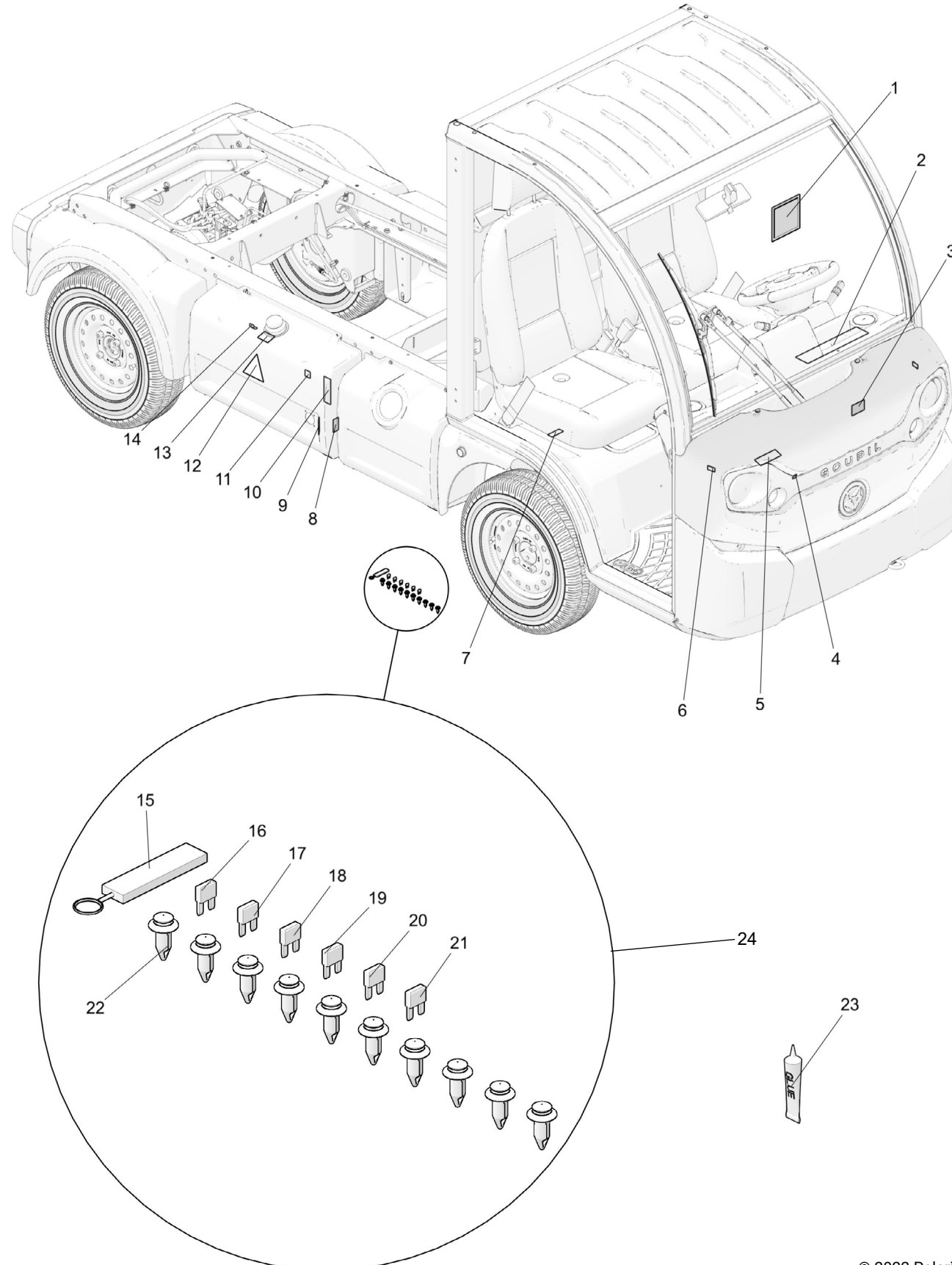
WHEELS

Applies to 7455001-09 [7200157-02]

Ref.	Part No.	Qty	Part Description	Notes
1	2050149	4	TYRE	
2	2050159	4	RIM	
3	2100253	4	VALVE	
4	6110020	16	NUT	
5	4100064	4	WHEEL	



Applies to 7455001-09 [7200158-09]

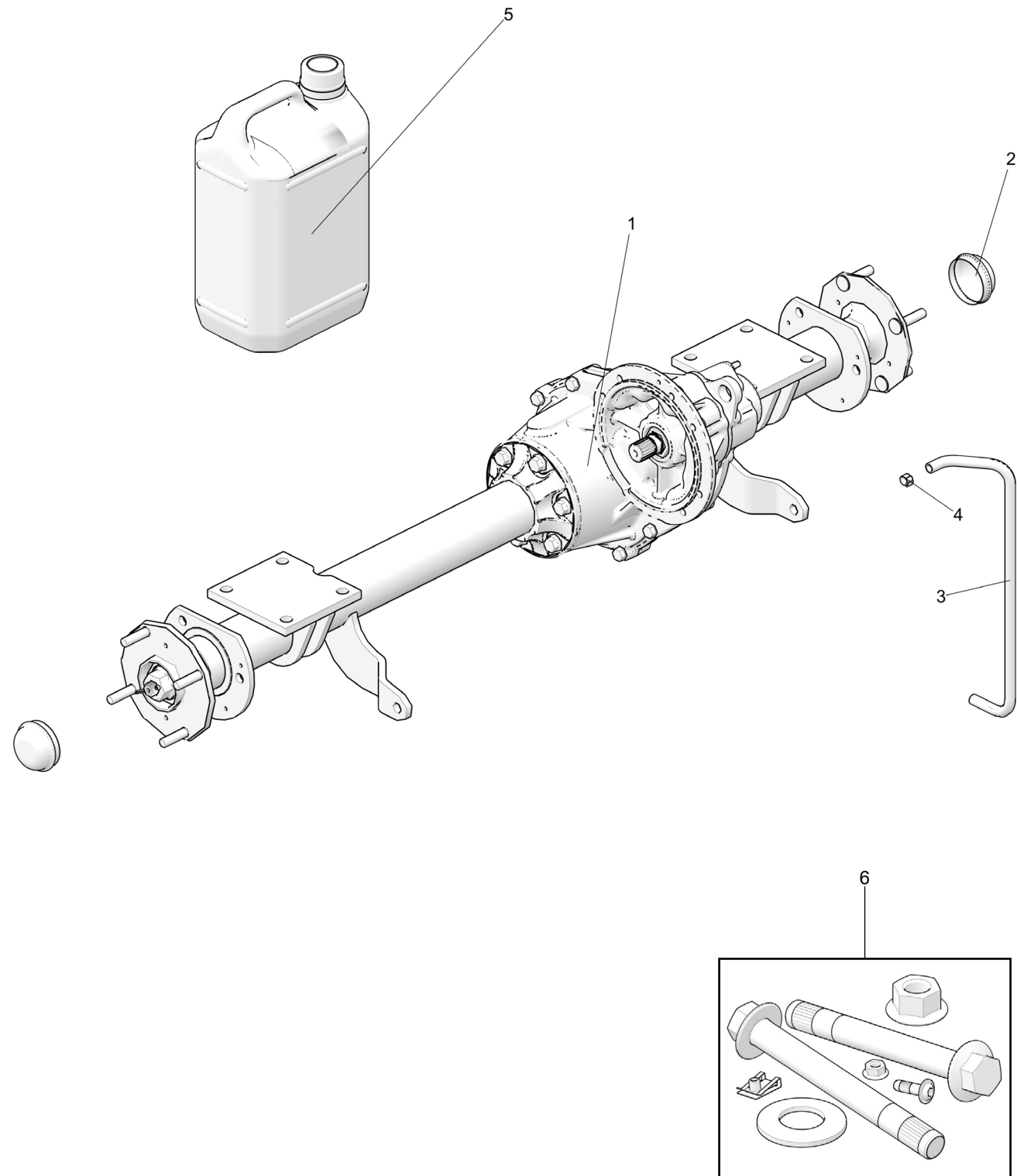


Applies to 7455001-09 [7200158-09]

Ref.	Part No.	Qty	Part Description	Notes
1	6500697	1	INFORMATIONS STICKER	
2	6500687	1	QUALITY STICKER	
3	6500492	1	BRAKE FLUID LEVEL STICKER	
4	6500548	1	BLINKERS STICKER	
5	6500564	1	FRONT FUSE HOLDER STICKER	
6	6500494	2	LOW-BEAM ADJUSTMENT STICKER	
7	6500495	1	12V BATTERY FUSES STICKER	
8	6500549	1	REAR RELAY STICKER	
9	6500491	1	CHARGE PLUG STICKER	
10	6500565	1	REAR FUSE HOLDER STICKER	
11	6500550	1	WINDSHIELD STICKER	
12	6500390	1	BATTERY DECAL	
13	6500496	1	CIRCUIT BREAKER STICKER	
14	6500551	2	400A OPTION STICKER	
15	4151029	1	GOUPIL INDUSTRIE KEY RING	
16	3450414	1	MINIFUSE 10A	
17	3450479	1	FUSE 25A	
18	3450415	1	MINIFUSE 30A	
19	3450416	1	MINIFUSE 15A	
20	3450417	1	MINIFUSE 5A	
21	3450458	1	MINIFUSE 20A	
22	107661855	10	PLASTIC RIVET	
23	8540186	1	DEGREASER	ONLY USE FOR STICKERS
24	7140385	1	SPARE FUSE AND RIVET KIT	

DRIVETRAIN, GEARBOX

Applies to 7455001-09 [7200159-05]



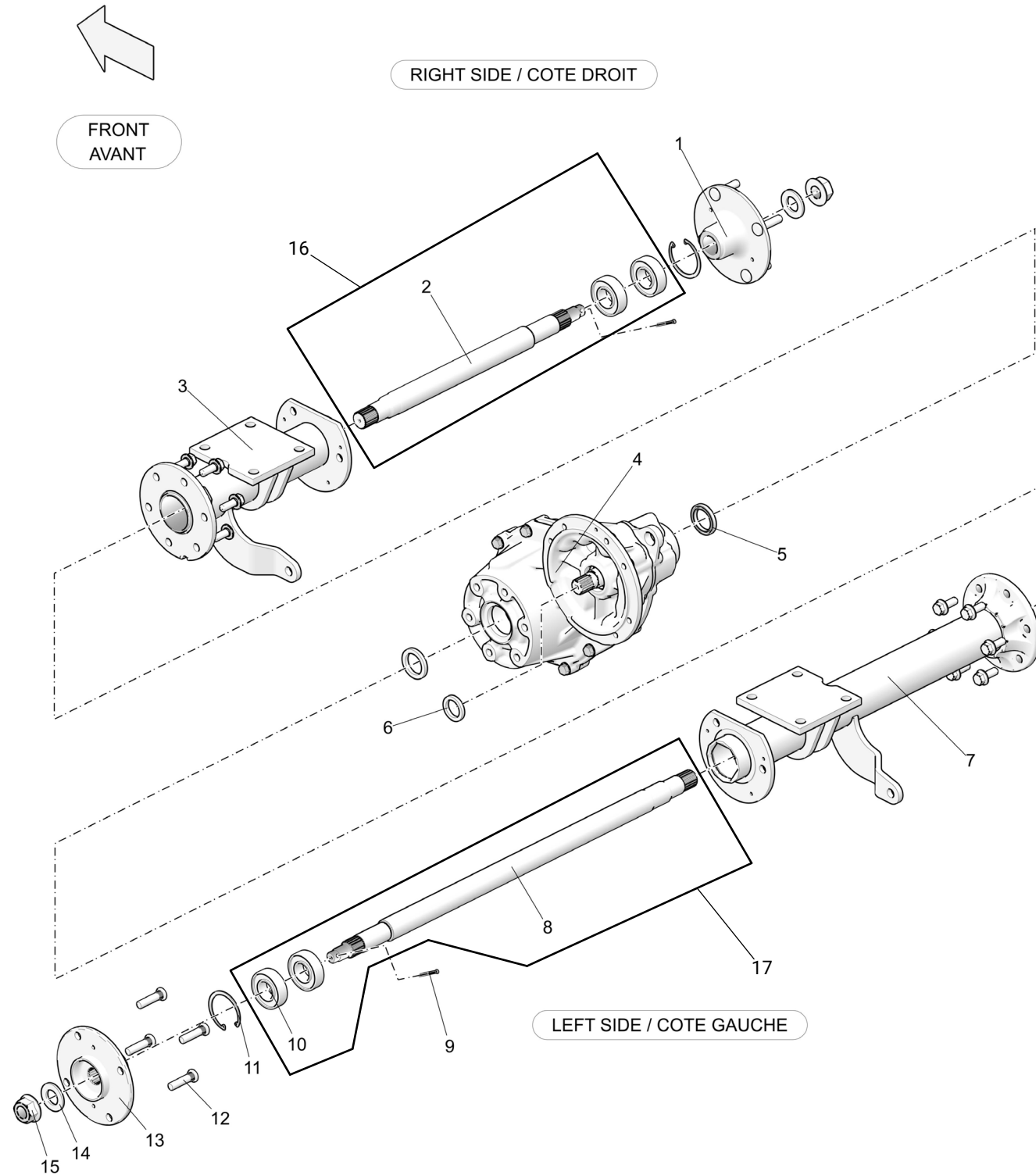
DRIVETRAIN, GEARBOX

Applies to 7455001-09 [7200159-05]

Ref.	Part No.	Qty	Part Description	Notes
1	6200743	1	REAR AXLE G4	
2	4150986	2	HUB COVER	
3	7140436	1	PIPE (INCLUDES HOSE CLAMP)	
4	4150861	1	HOSE CLAMP	
5	2100987	1	GEARBOX OIL	
6	7140904	1	GEARBOX / AC MOTOR SCREWS KIT	

DRIVETRAIN, GEARBOX

Applies to 7455001-09 [7200159-05]



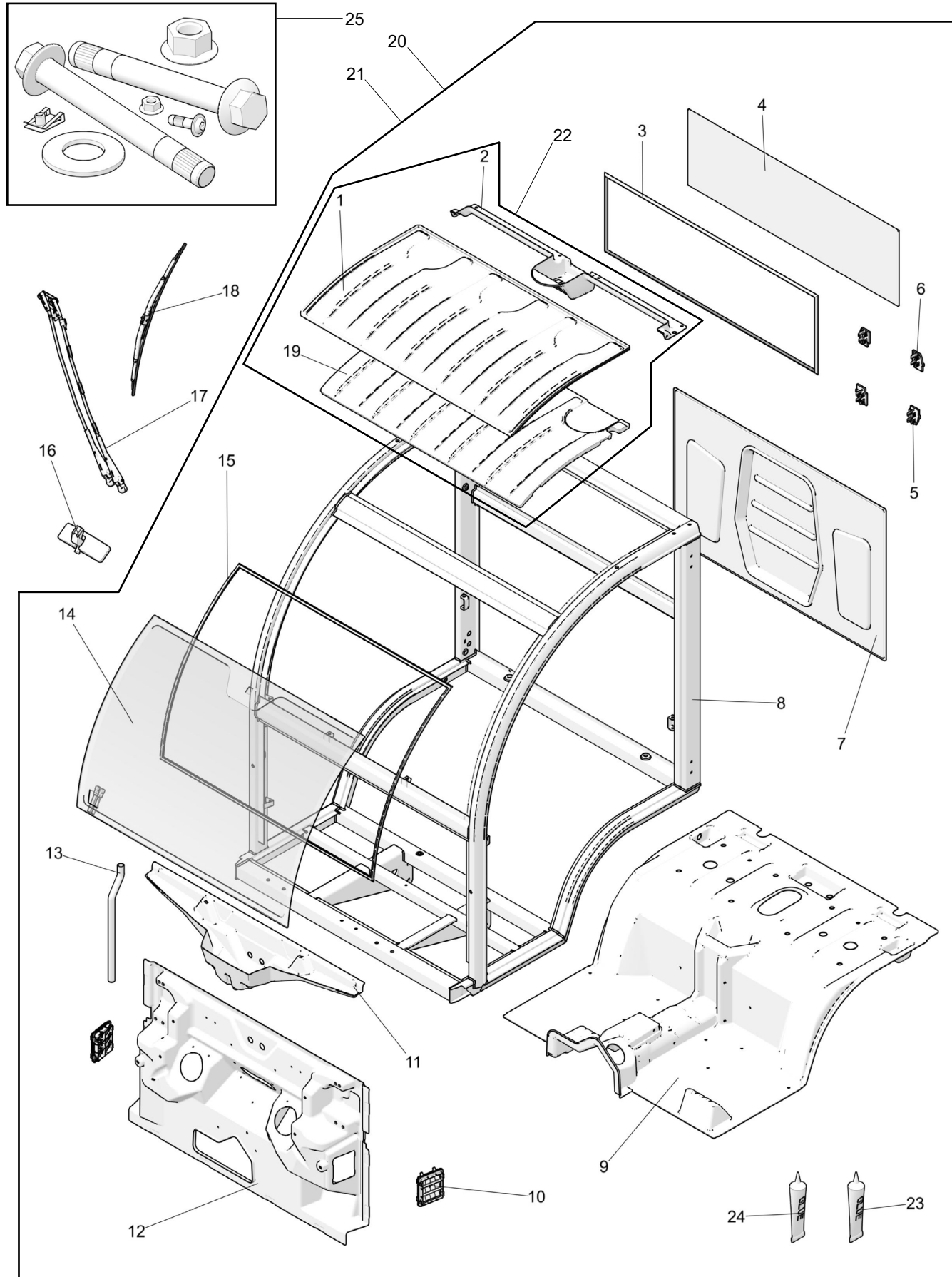
DRIVETRAIN, GEARBOX

Applies to 7455001-09 [7200159-05]

Ref.	Part No.	Qty	Part Description	Notes
1	7140747	2	AXLE FLANGE	FOR BOTH SIDES
2	2100690	1	SHAFT AXLE RH	
3	2100771	1	AXLE TUBE RIGHT	
4	2100677	1	DRIVE AXLE REDUCTION GEAR	
5	2100560	2	SEAL DUAL LIP	
6	2100561	1	SEAL TRIPLE LIP	
7	2100770	1	AXLE TUBE LEFT	
8	2100691	1	SHAFT AXLE LH	
9	2100551	2	PIN COTTER	
10	2100189	4	BEARING	
11	2100555	2	RING	
12	2100552	8	WHEEL STUD	FOR BOTH SIDES
13	2100724	2	HUB	FOR BOTH SIDES
14	2100688	2	WASHER	
15	2100689	2	NUT	
16	7140437	1	RHS DRIVE SHAFT KIT	
17	7140438	1	LHS DRIVE SHAFT KIT	

BODY, CAB, BODYWORK, WINDSCREEN

Applies to 7455001-09 [7200160-09]



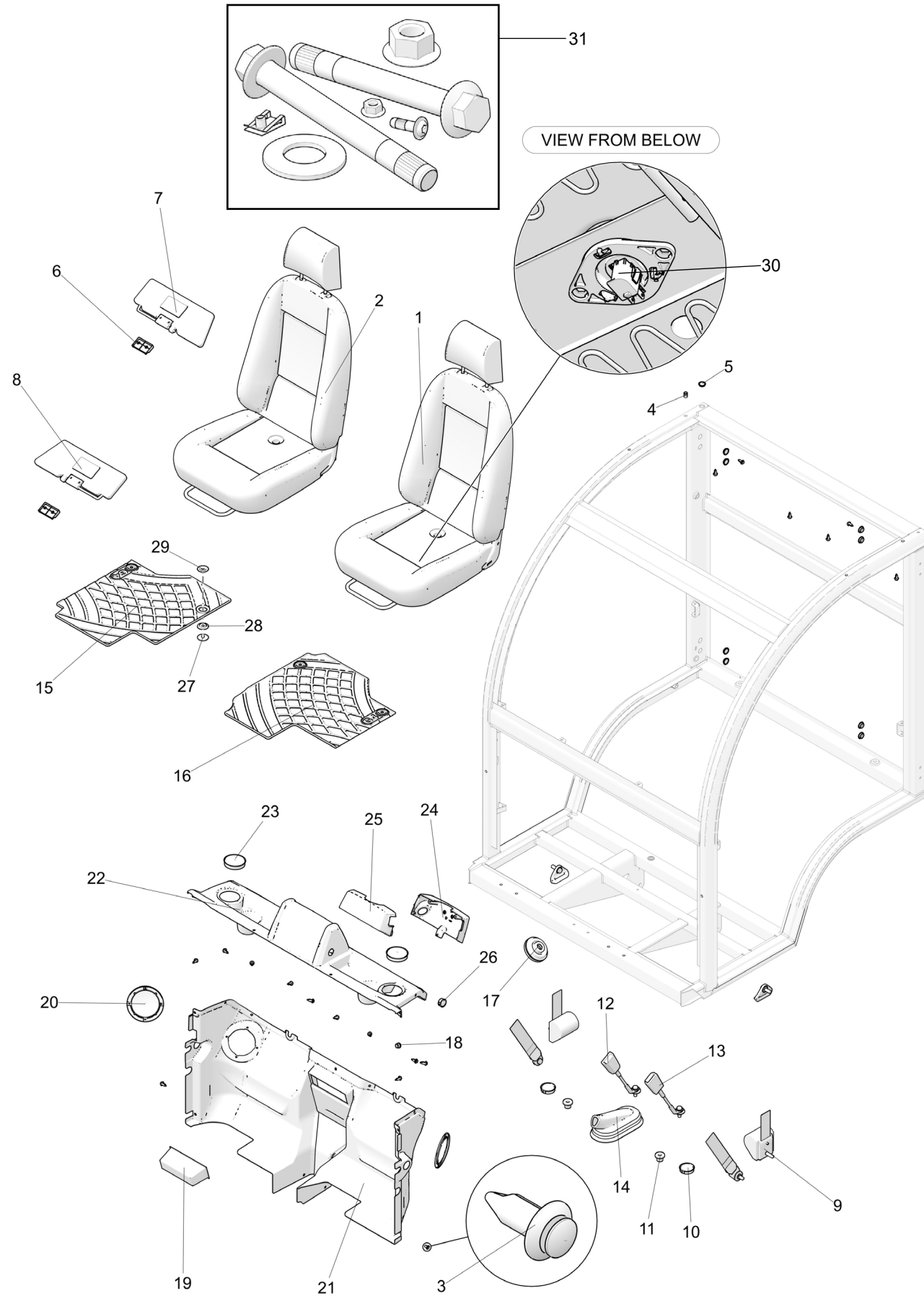
BODY, CAB, BODYWORK, WINDSCREEN

Applies to 7455001-09 [7200160-09]

Ref.	Part No.	Qty	Part Description	Notes
1	6207279	1	ROOF CAB	PLASTIC GLUE KIT NEEDED
2	6207353	1	ROOF CONSOLE	
3	6207277	1	REAR WINDOW SEAL	
4	6207275	1	REAR WINDOW	WINDOWS GLUE KIT NEEDED
5	127MP963D	2	RIGHT LOWER BEAM PLUG	
6	127MP963G	2	LEFT LOWER BEAM PLUG	
7	6207259	1	CAB BACK PANEL	PLASTIC GLUE KIT NEEDED
8	6004379	1	CAB FRAME	
9	6207295	1	FLOOR	PLASTIC GLUE KIT NEEDED
10	4150883	2	CAB OVERPRESSURE VALVE	
11	7140805	1	WINDSHIEL SPOUT KIT	PLASTIC GLUE KIT NEEDED
12	7140820	1	COWL PANEL KIT	INCLUDES 11 PLASTIC GLUE KIT NEEDED
13	7140601	1	HOSE	
14	6207274	1	HEATED WINDSHIELD	WINDOWS GLUE KIT NEEDED
15	6207276	1	WINDSHIELD SEAL	
16	4150427	1	INTERIOR REAR-VIEW MIRROR WITH BASE	
17	4150993	1	WINDSHIELD WIPER ARM	
18	4150966	1	WINDSHIELD WIPER BLADE	
19	7140619	1	ROOF LINING	
20	7140873-01	1	PREASSEMBLED WHITE CABIN	
21	7140873	1	PREASSEMBLED CABIN	
22	7140447	1	ROOF AND LINING KIT	PLASTIC GLUE KIT NEEDED
23	7140555	1	WINDOWS GLUE KIT	
24	7140554	1	PLASTIC GLUE KIT	
25	7140906	1	CAB SCREWS KIT	

**BODY, CAB, PASSENGER COMPARTMENT**

Applies to 7455001-09 [7200160-09]



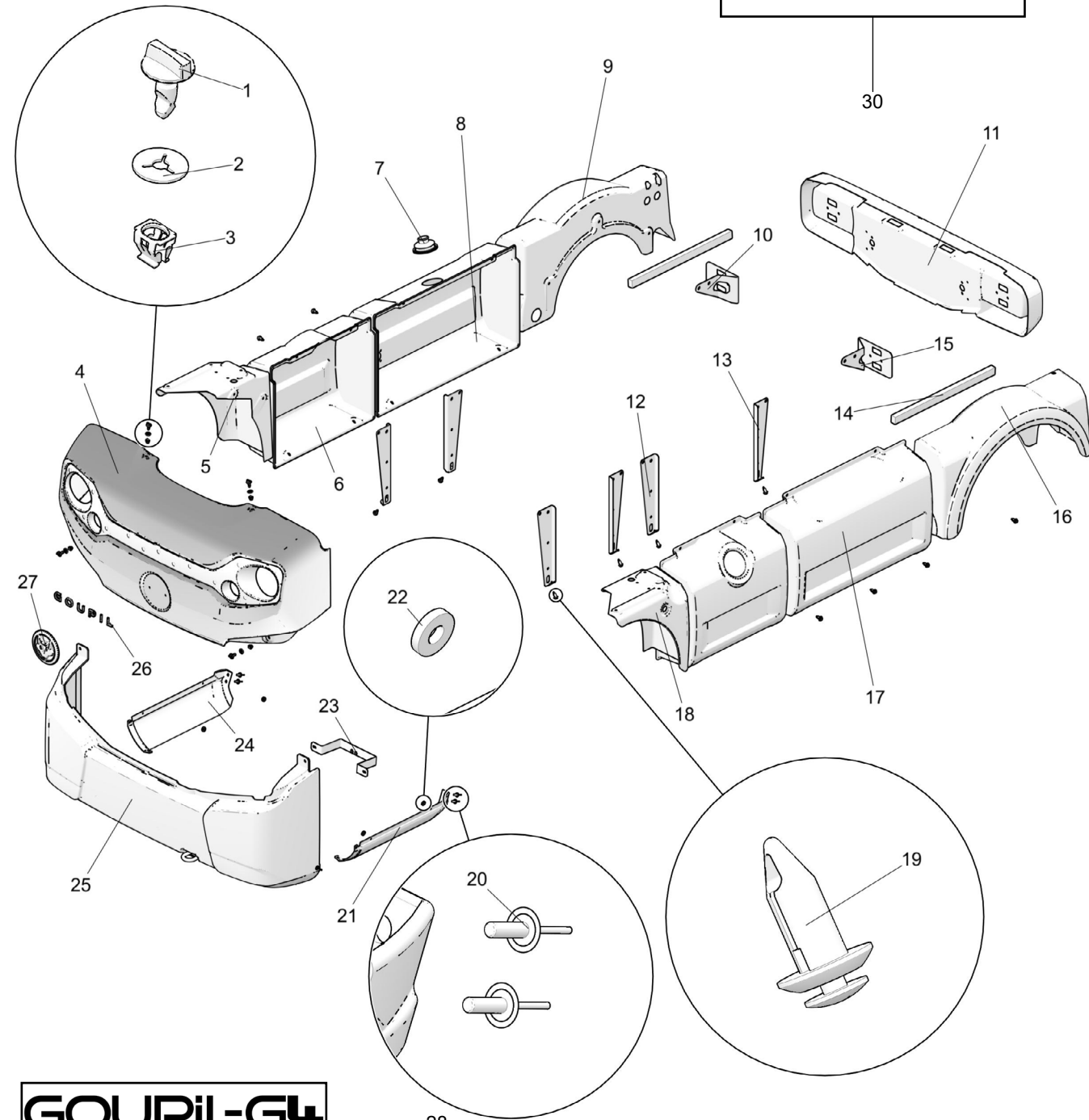
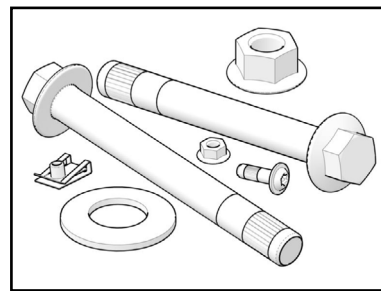
**BODY, CAB, PASSENGER COMPARTMENT**

Applies to 7455001-09 [7200160-09]

Ref.	Part No.	Qty	Part Description	Notes
1	4200466	1	DRIVER SEAT	
2	4200466	1	PASSENGER SEAT	
3	107661855	16	PLASTIC RIVET	
4	5250050	1	INSERT	
5	4151129	6	HOLE BLANK	
6	6207330	2	SUNSHADE BASE	
7	127K129B	1	SUNSHADE	
8	127K129A	1	SUNSHADE	
9	127MP126	2	INERTIA REEL SAFETY BELT	
10	4150962	2	PLUG	
11	4250144	2	WIRE GUIDE	
12	4200588	1	RH SEAT BELT BUCKLE	
13	4200587	1	LH SEAT BELT BUCKLE	
14	126K003	1	HANDBRAKE BELLOWS	
15	2101091	1	FLOOR MAT RH	
16	2101090	1	FLOOR MAT LH	
17	4250189	1	ANGULAR GEARBOX SEAL	
18	4150620	1	BLACK PLUG	
19	4150431	1	STORAGE POCKET	
20	4150968	2	LOUDSPEAKER GRILLE	
21	6207297	1	LOWER DASHBOARD	
22	6207728	1	UPPER DASHBOARD	
23	4150991	2	PLUG	
24	128AP120	1	COLUMN SWITCH LOWER COVER	
25	128AP121	1	COLUMN SWITCH UPPER COVER	
26	4151131	1	PLUG	
27	2101036	4	FLOOR MAT FIXATION	
28	2101035	4	FLOOR MAT FIXATION	
29	2101033	4	FLOOR MAT FIXATION	
30	2150075	2	SEAT SENSOR	
31	7140907	1	SEATS SCREWS KIT	



Applies to 7455001-09 [7200161-06]



28



29

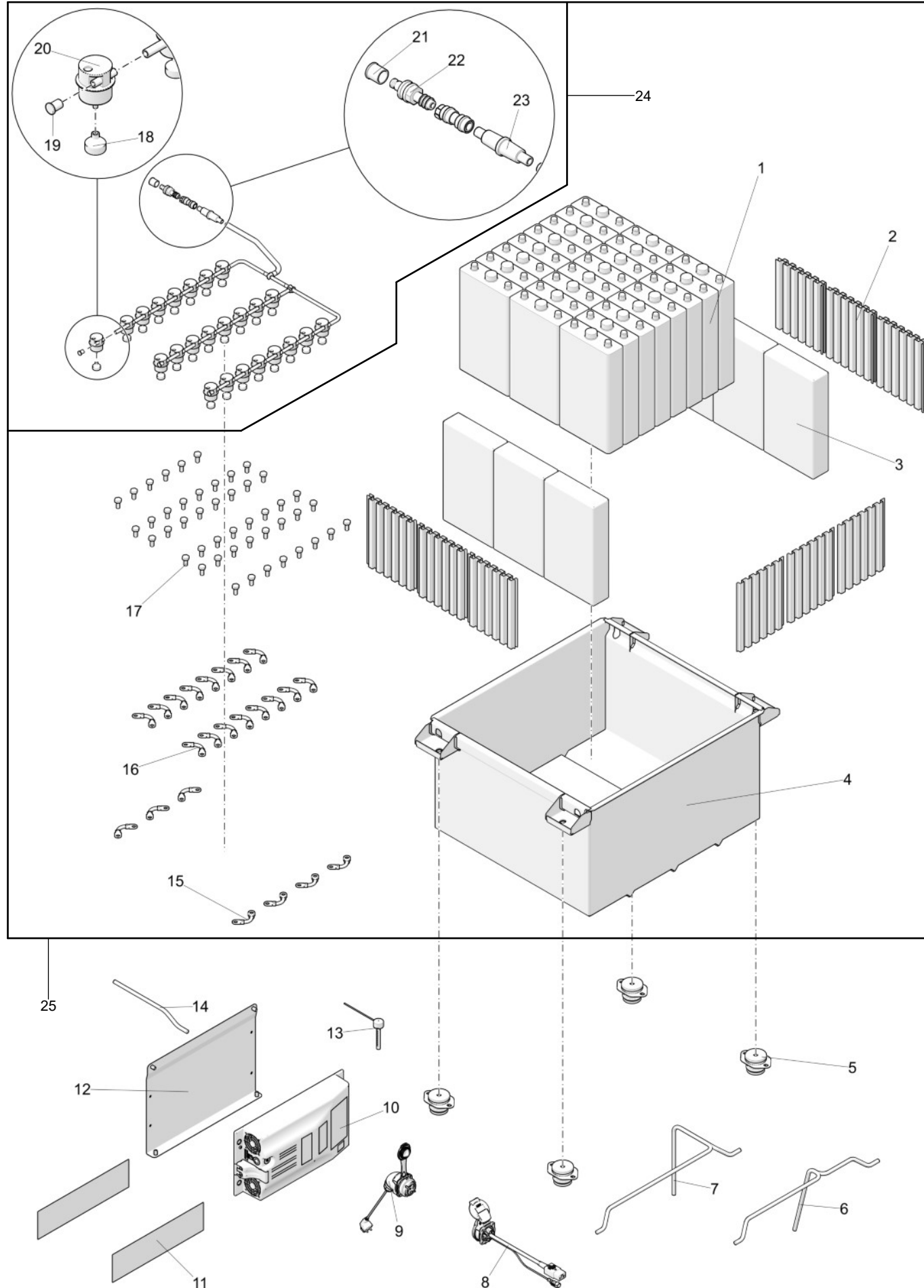
Applies to 7455001-09 [7200161-06]

Ref.	Part No.	Qty	Part Description	Notes
1	4151025	1	FRONT GRILL LOCKINGBOLT	
2	4151027	4	WASHER GRILL ROD FIXATION	
3	4151026	4	BASE GRILL ROD FIXATION	
4	7140843	1	GRILL	ASSEMBLED WITH 26, 27
4	6207800	1	PICNIC GRILL RAL9003	
5	6207258	1	FRONT RH MUDGUARD	
6	6207272	2	FRONT LATERAL COVER	
7	6207370	1	MAIN SWITCH PROTECTION BOOT	
8	6207484	1	REAR LATERAL RH COVER	
9	6207483	1	REAR RH MUDGUARD	
10	6110148	1	REAR BUMPER BRACKET	
11	6207729	1	REAR BUMPER	
12	6109701	3	LATERAL LH COVER'S SQUARE	
13	6109700	3	LATERAL RH COVER'S SQUARE	
14	7140658	2	FOAM SEAL	
15	6110147	1	REAR BUMPER BRACKET	
16	6207255	1	REAR LH MUDGUARD	
17	6207273	1	LATERAL REAR LH COVER	
18	6207257	1	FRONT LH MUDGUARD	
19	7140818	1	10 PLASTIC RIVETS SET	
20	5400019	4	RIVET	
21	6207261	1	TRIM PART FOR LEFT THRESHOLD	
22	4150798	4	SPACER	
23	6004687	1	WINDSCREEN WASHER TANK BRACKET	
24	6207262	1	TRIM PART FOR RIGHT THRESHOLD	
25	6207727	1	FRONT BUMPER	
26	6207533	1	LETTERING GOUPIL	
27	6207526	1	BADGE	
28	6500526	2	G4 LITHIUM STICKER	
29	6500527	2	G4 ELECTRIC STICKER	
30	7140908	1	BODYWORK SCREWS KIT	

*OPTIONS*

OPTION, LEAD ACID TRACTION 8.6KW 180AH BATTERY

Applies to 7455001-09 [7305001-05]



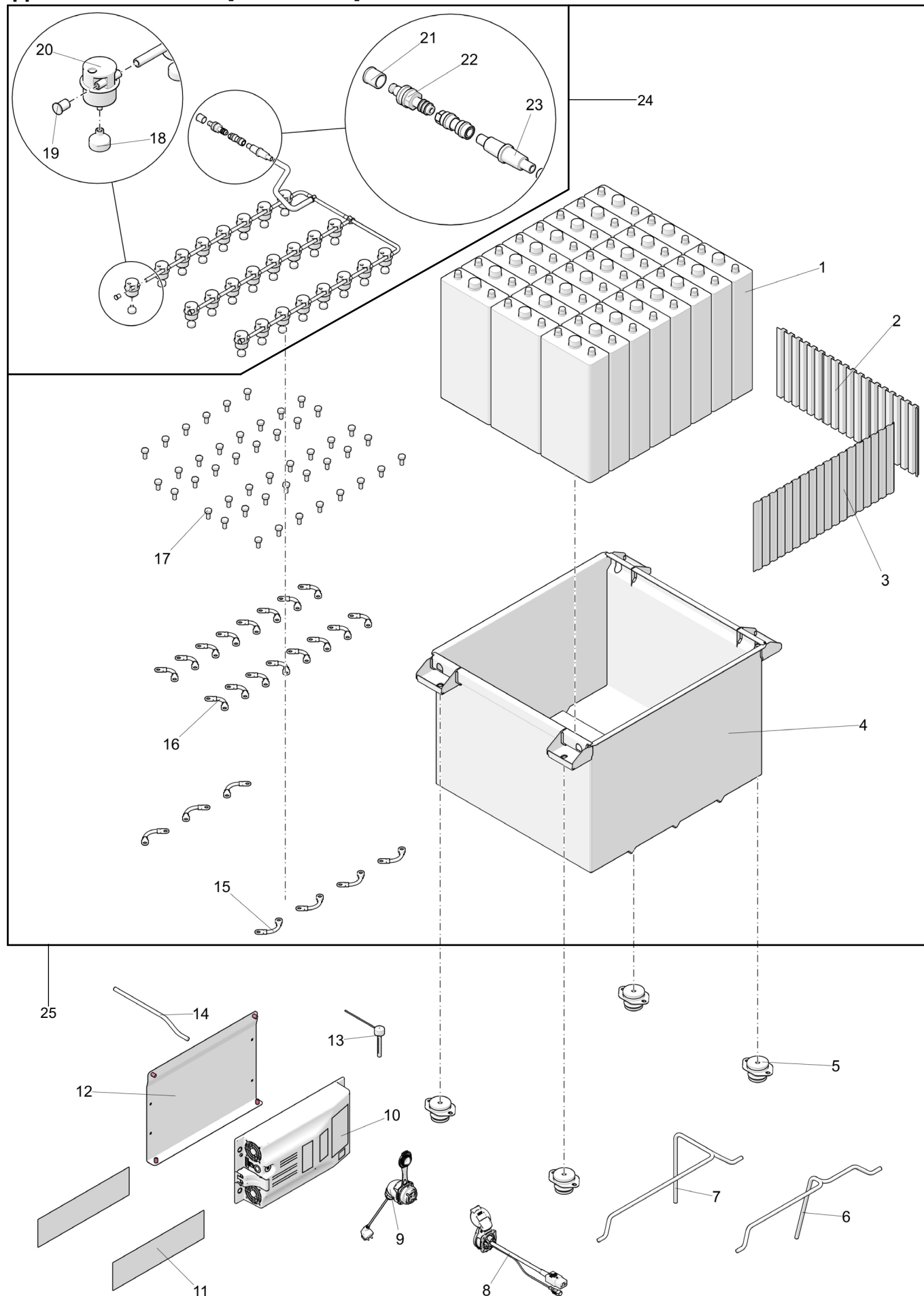
OPTION, LEAD ACID TRACTION 8.6KW 180AH BATTERY

Applies to 7455001-09 [7305001-05]

Ref.	Part No.	Qty	Part Description	Notes
1	3500117	24	BATTERY ELEMENT 2V/180AH C5	
2	4250173	15	RIBBED PLATE	
3	4250180	6	BATTERY PLATE	
4	6004064	1	BATTERY TRAY	
5	4150964	4	SILENT BLOC	
6	6200706	1	HARNESS CHARGER	
7	6200719	1	HARNESS CHARGER	
8	6200526	1	MALE CHARGING SOCKET	
9	6200527	1	FEMALE CHARGING CABLE	
10	7140932-01	1	G4 MY22 180AH CHARGER KIT	
11	6500527	2	G4 ELECTRIC STICKER	
12	6004393	1	CHARGER BRACKET	
13	7140588	1	12 V WATER LEVEL SENSOR BATTERY	
14	6200306	1	CONTROL HARNESS	
15	6301071	7	BATTERY CONNECTION	
16	6301056	16	BATTERY CONNECTION	
17	2150053	1	PLASTIC HEAD SCREW FOR BATTERY	
18	4200119	1	FLOAT 20MM	
19	4200127	1	WATER HOSE CAP	
20	4200117	1	FILLER PLUG	
21	4200128	1	OBTURATOR	
22	4200132	1	QUICK RELEASE MALE CONNECTOR	
23	4200131	1	FILTER	
24	6200700	1	CENTRALIZED FILLING KIT	
25	6200523	1	180AH BATTERY PACK	
↓	1410060	1	CHARGER PARAMETER	

OPTION, LEAD ACID TRACTION 11.5KW 240AH BATTERY

Applies to 7455001-09 [7305002-05]



© 2022 Polaris W&T

OPTION, LEAD ACID TRACTION 11.5KW 240AH BATTERY

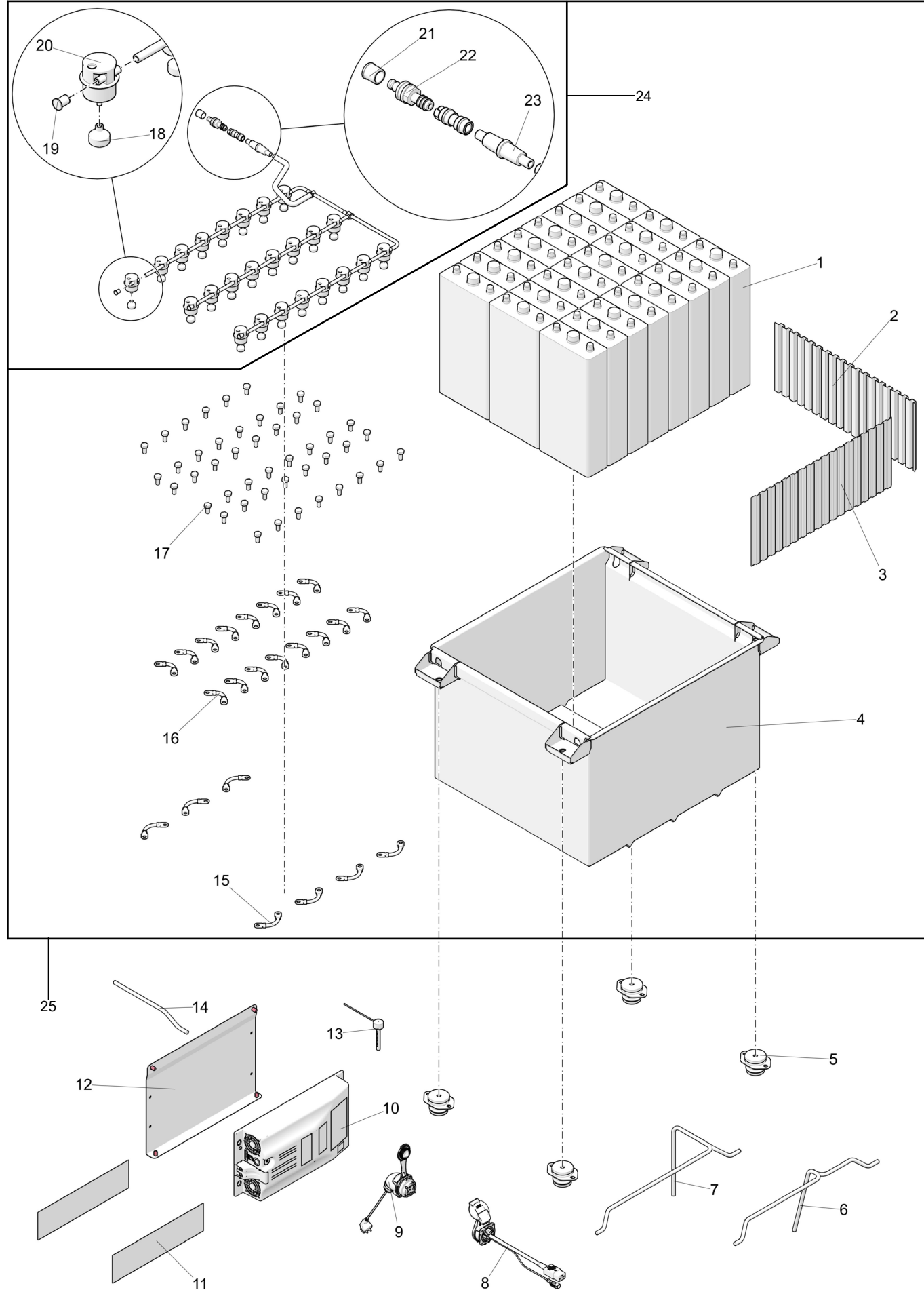
Applies to 7455001-09 [7305002-05]

Ref.	Part No.	Qty	Part Description	Notes
1	3500081	1	BATTERY ELEMENT 2V/240AH C5	
2	4250173	3	RIBBED PLATE	
3	4250174	3	RIBBED PLATE	
4	6004064	1	BATTERY TRAY	
5	4150964	4	SILENT BLOC	
6	6200706	1	HARNESS CHARGER	
7	6200719	1	HARNESS CHARGER	
8	6200526	1	MALE CHARGING SOCKET	
9	6200527	1	FEMALE CHARGING CABLE	
10	7140932-02	1	G4 MY22 240AH CHARGER KIT	
11	6500527	2	G4 ELECTRIC STICKER	
12	6004393	2	CHARGER BRACKET	
13	7140588	1	12 V WATER LEVEL SENSOR BATTERY	
14	6200306	1	CONTROL HARNESS	
15	6301057	7	BATTERY CONNECTION	
16	6301071	16	BATTERY CONNECTION	
17	2150053	1	PLASTIC HEAD SCREW FOR BATTERY	
18	4200119	1	FLOAT 20MM	
19	4200127	1	WATER HOSE CAP	
20	4200117	1	FILLER PLUG	
21	4200128	1	OBTURATOR	
22	4200132	1	QUICK RELEASE MALE CONNECTOR	
23	4200131	1	FILTER	
24	7140611	1	CENTRALIZED FILLING KIT	
25	6200524	1	240AH BATTERY PACK	
↓	1410062	1	CHARGER PARAMETER	



OPTION, LEAD ACID TRACTION 15.4KW 320AH BATTERY

Applies to 7455001-09 [7305003-05]



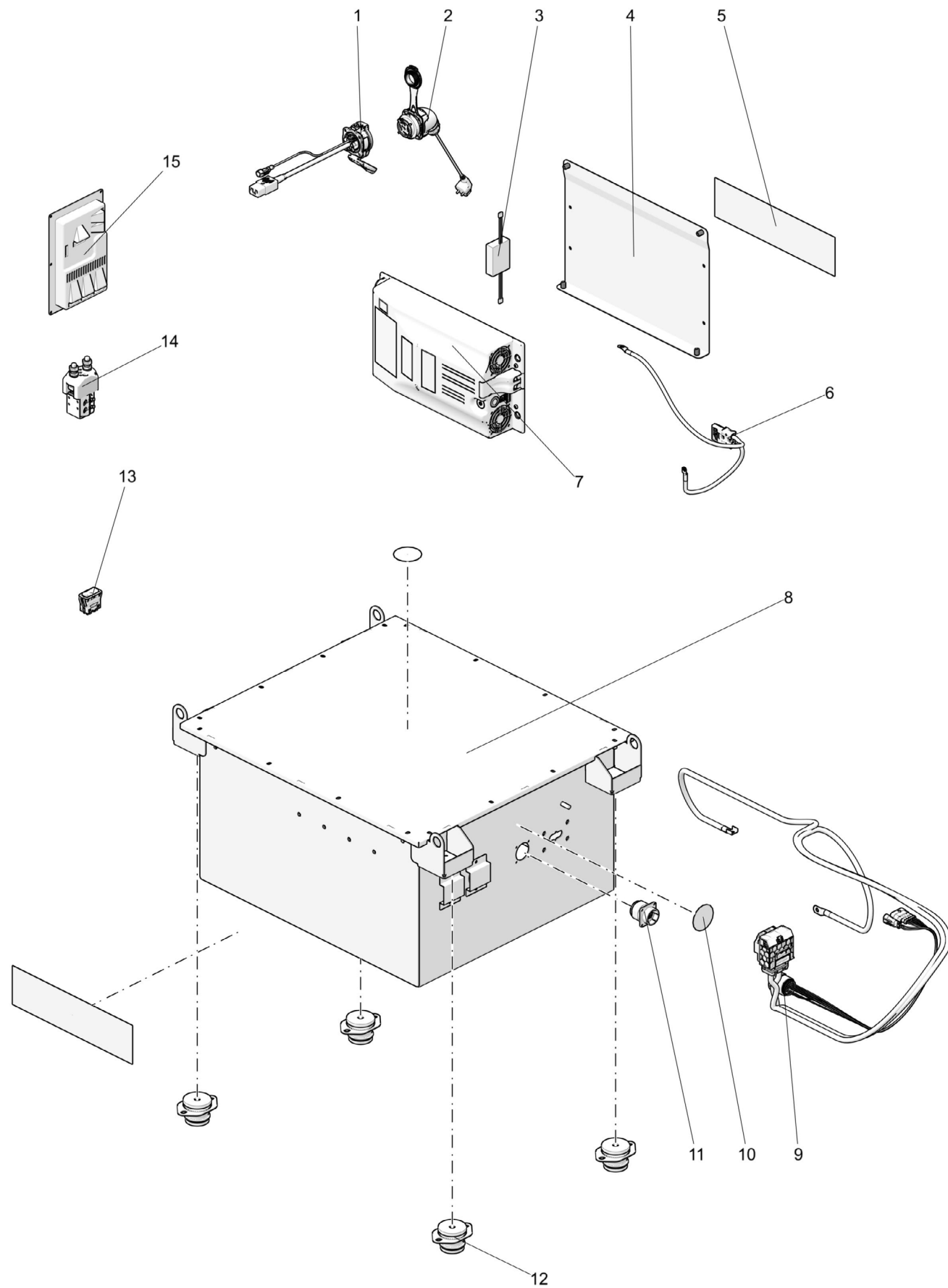
OPTION, LEAD ACID TRACTION 15.4KW 320AH BATTERY

Applies to 7455001-09 [7305003-05]

Ref.	Part No.	Qty	Part Description	Notes
1	3500082	1	BATTERY ELEMENT 2V/320AH C5	
2	4250173	3	RIBBED PLATE	
3	4250174	3	RIBBED PLATE	
4	6004072	1	BATTERY TRAY	
5	4150964	4	SILENT BLOC	
6	6200706	1	HARNESS CHARGER	
7	6200719	1	HARNESS CHARGER	
8	6200526	1	MALE CHARGING SOCKET	
9	6200527	1	FEMALE CHARGING CABLE	
10	7140934-01	1	G4 MY22 320AH CHARGER KIT	
11	6500527	2	G4 ELECTRIC STICKER	
12	6004393	2	CHARGER BRACKET	
13	7140588	1	12 V WATER LEVEL SENSOR BATTERY	
14	6200306	1	CONTROL HARNESS	
15	6301057	7	BATTERY CONNECTION	
16	6301071	16	BATTERY CONNECTION	
17	2150053	1	PLASTIC HEAD SCREW FOR BATTERY	
18	4200119	1	FLOAT 20MM	
19	4200127	1	WATER HOSE CAP	
20	4200117	1	FILLER PLUG	
21	4200128	1	OBTURATOR	
22	4200132	1	QUICK RELEASE MALE CONNECTOR	
23	4200131	1	FILTER	
24	7140611	1	CENTRALIZED FILLING KIT	
25	6200525	1	320AH BATTERY PACK	
↓	1410064	1	CHARGER PARAMETER	

OPTION, LITHIUM 48V 7.2KW BATTERY

Applies to 7455001-09 [7305004-07]



OPTION, LITHIUM 48V 7.2KW BATTERY

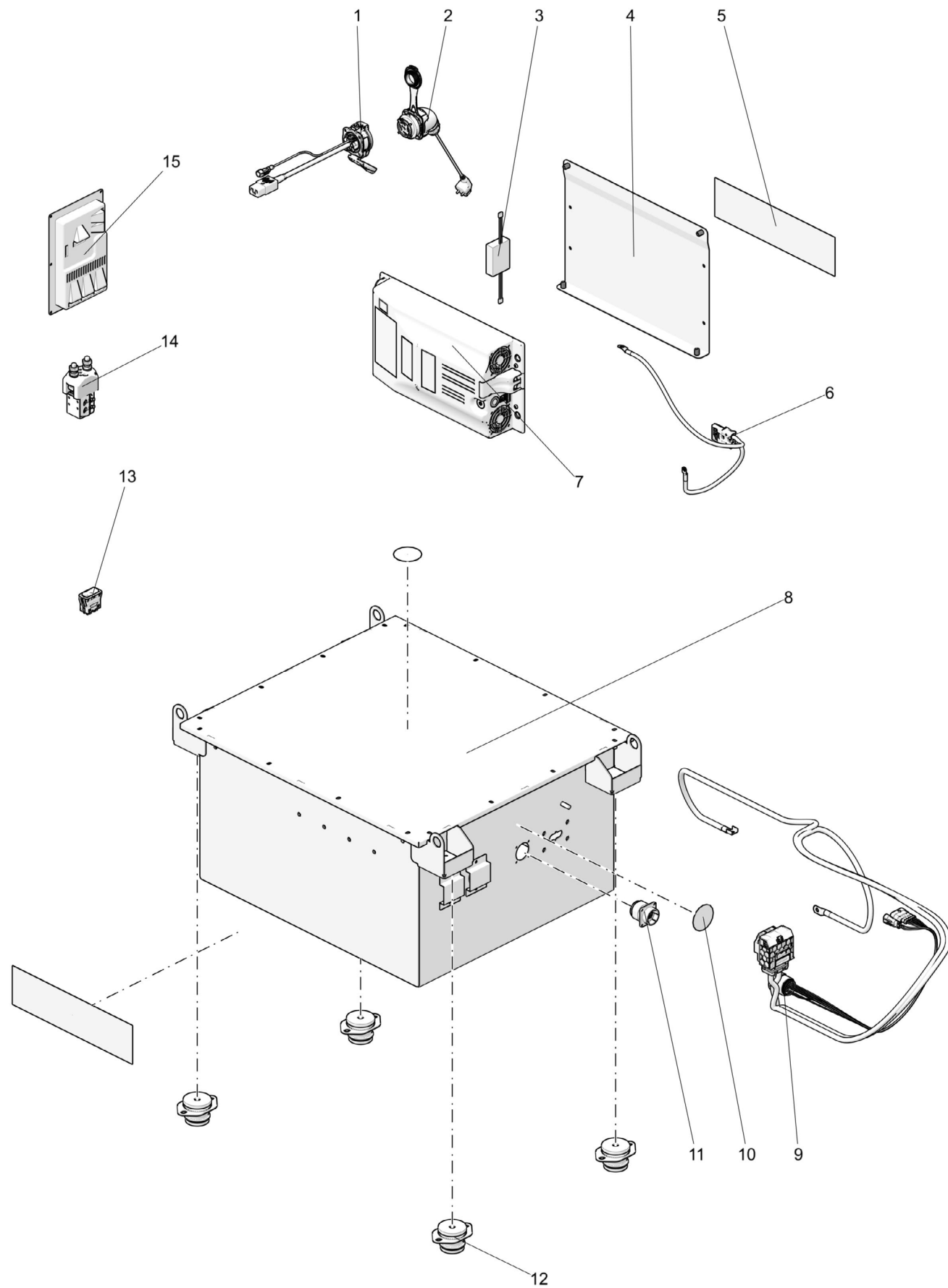
Applies to 7455001-09 [7305004-07]

Ref.	Part No.	Qty	Part Description	Notes
1	6200760	1	MALE CHARGING SOCKET	
2	6200527	1	FEMALE CHARGING CABLE	
3	3450540	1	OPTO-ISOLATOR	
4	6004393	1	CHARGER BRACKET	
5	6500526	2	STICKER	
6	6200719	1	HARNESS CHARGER	
7	7140934-01	1	G4 MY22 320AH CHARGER KIT	
8	6200869	1	LITHIUM PACK 48V 7.2KW 90AH R100.02	
9	6200326	1	LITHIUM HARNESS	
10	6500510	2	STICKER	
11	2100789	1	EXTERNAL SIGNAL CONNECTOR AND CABLE	
12	4150964	4	SILENT BLOC	
13	3450465	1	WINTERING SWITCH	
14	2101293	1	BATTERY RELAYS	
15	2101288	1	7.2 KW BMS CARD	
↓	1410065	1	CHARGER PARAMETER	



OPTION, LITHIUM 48V 9.2KW BATTERY

Applies to 7455001-09 [7305092-02]



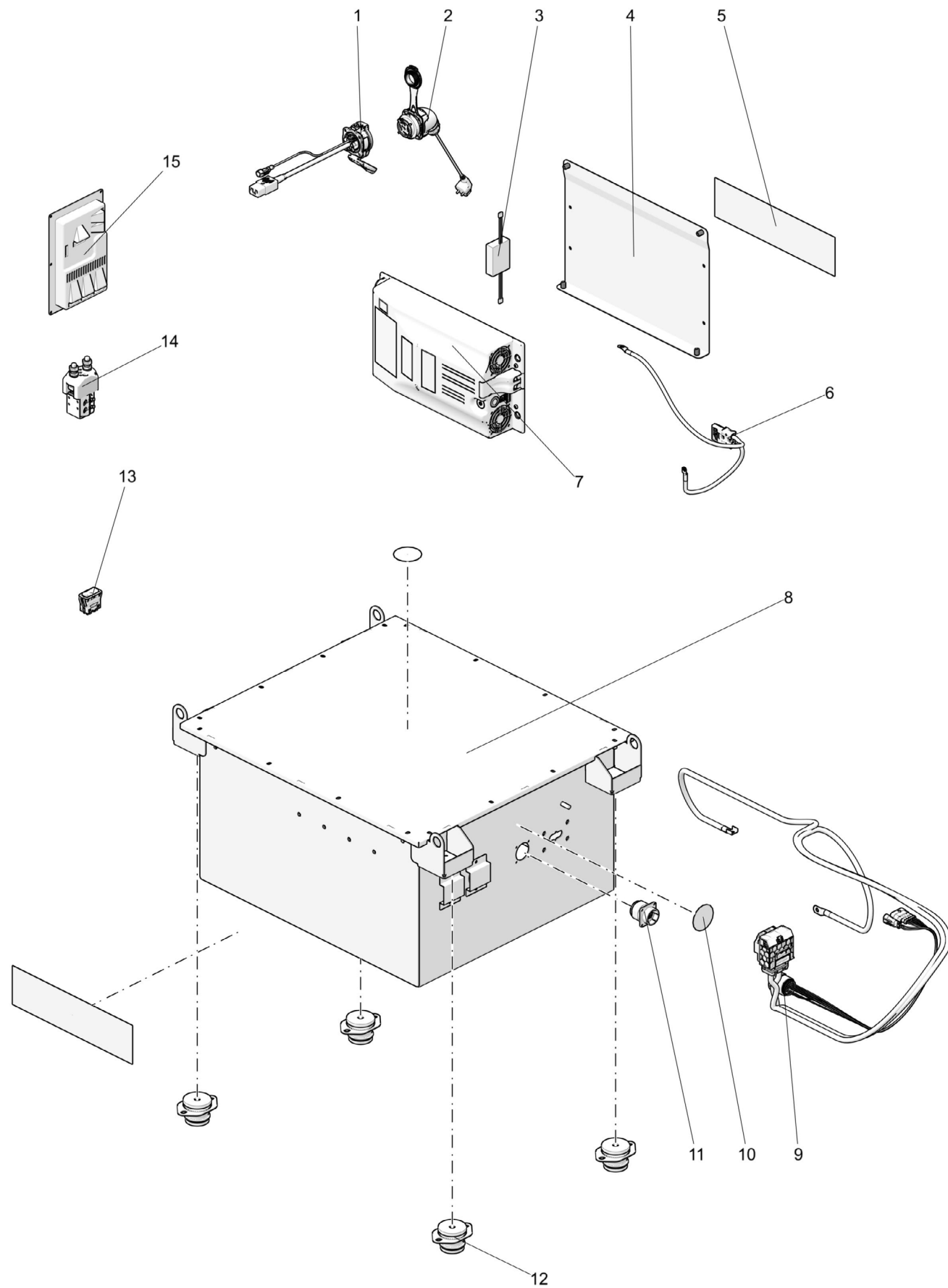
OPTION, LITHIUM 48V 9.2KW BATTERY

Applies to 7455001-09 [7305092-02]

Ref.	Part No.	Qty	Part Description	Notes
1	6200760	1	MALE CHARGING SOCKET	
2	6200527	1	FEMALE CHARGING CABLE	
3	3450540	1	OPTO-ISOLATOR	
4	6004393	1	CHARGER BRACKET	
5	6500526	2	STICKER	
6	6200719	1	HARNESS CHARGER	
7	7140934-01	1	G4 MY22 320AH CHARGER KIT	
8	6200870	1	PACK LI G4 48V 9.2KWH 100AH R100.02	
9	6200326	1	LITHIUM HARNESS	
10	6500510	2	STICKER	
11	2100789	1	EXTERNAL SIGNAL CONNECTOR AND CABLE	
12	4150964	4	SILENT BLOC	
13	3450465	1	WINTERING SWITCH	
14	2101293	1	BATTERY RELAYS	
15	2101289	1	9.2 KW BMS CARD	
↓	1410065	1	CHARGER PARAMETER	

OPTION, LITHIUM 48V 13.8KW BATTERY

Applies to 7455001-09 [7305093-02]



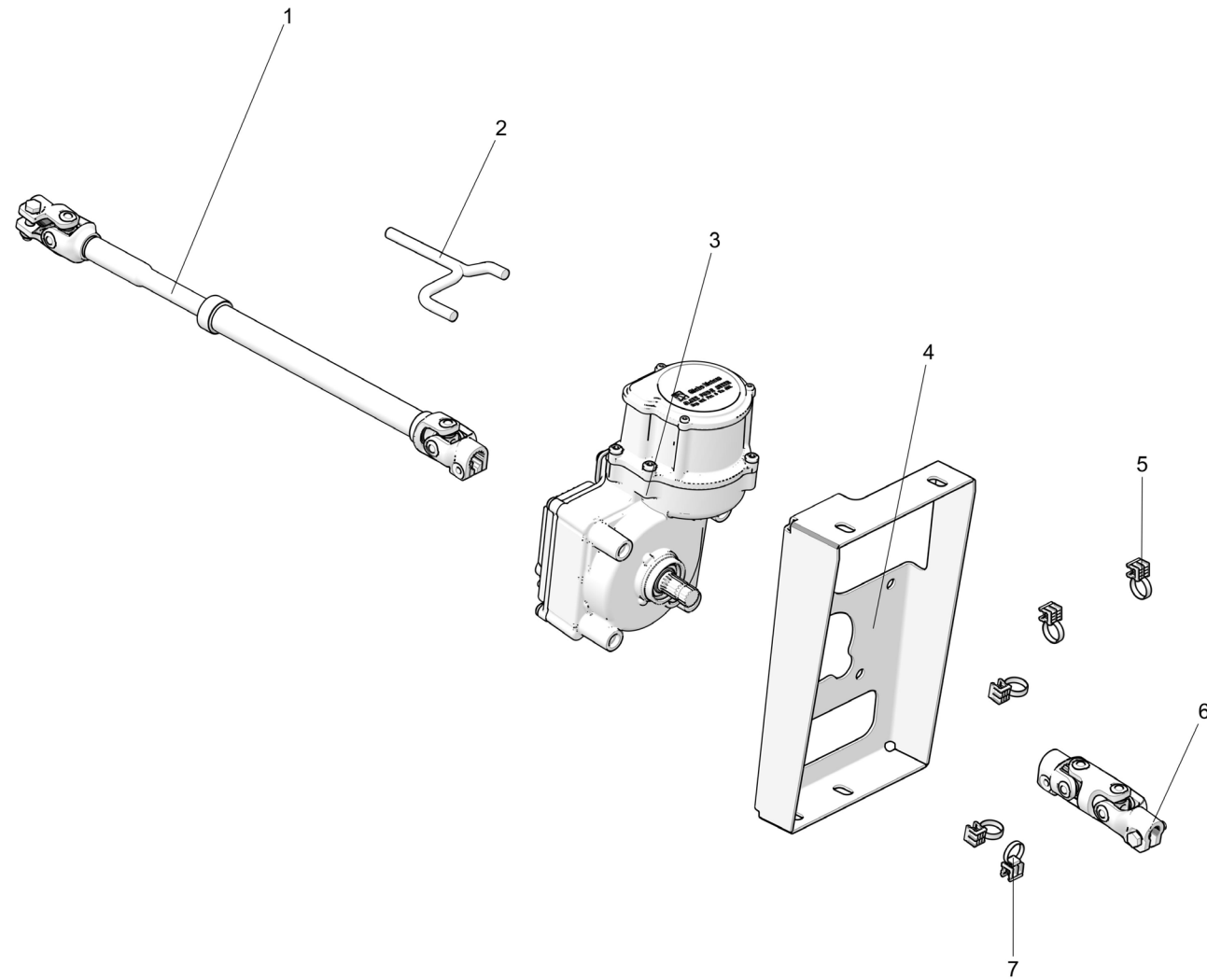
OPTION, LITHIUM 48V 13.8KW BATTERY

Applies to 7455001-09 [7305093-02]

Ref.	Part No.	Qty	Part Description	Notes
1	6200760	1	MALE CHARGING SOCKET	
2	6200527	1	FEMALE CHARGING CABLE	
3	3450540	1	OPTO-ISOLATOR	
4	6004393	1	CHARGER BRACKET	
5	6500526	2	STICKER	
6	6200719	1	HARNESS CHARGER	
7	7140934-01	1	G4 MY22 320AH CHARGER KIT	
8	6200871	1	PACK LI G4 48V 13.8KWH 100AH R100.02	
9	6200326	1	LITHIUM HARNESS	
10	6500510	2	STICKER	
11	2100789	1	EXTERNAL SIGNAL CONNECTOR AND CABLE	
12	4150964	4	SILENT BLOC	
13	3450465	1	WINTERING SWITCH	
14	2101293	1	BATTERY RELAYS	
15	2101290	1	13.8 KW BMS CARD	
↓	1410065	1	CHARGER PARAMETER	

OPTION, ELECTRIC POWER STEERING

Applies to 7455001-09 [7305006-02]



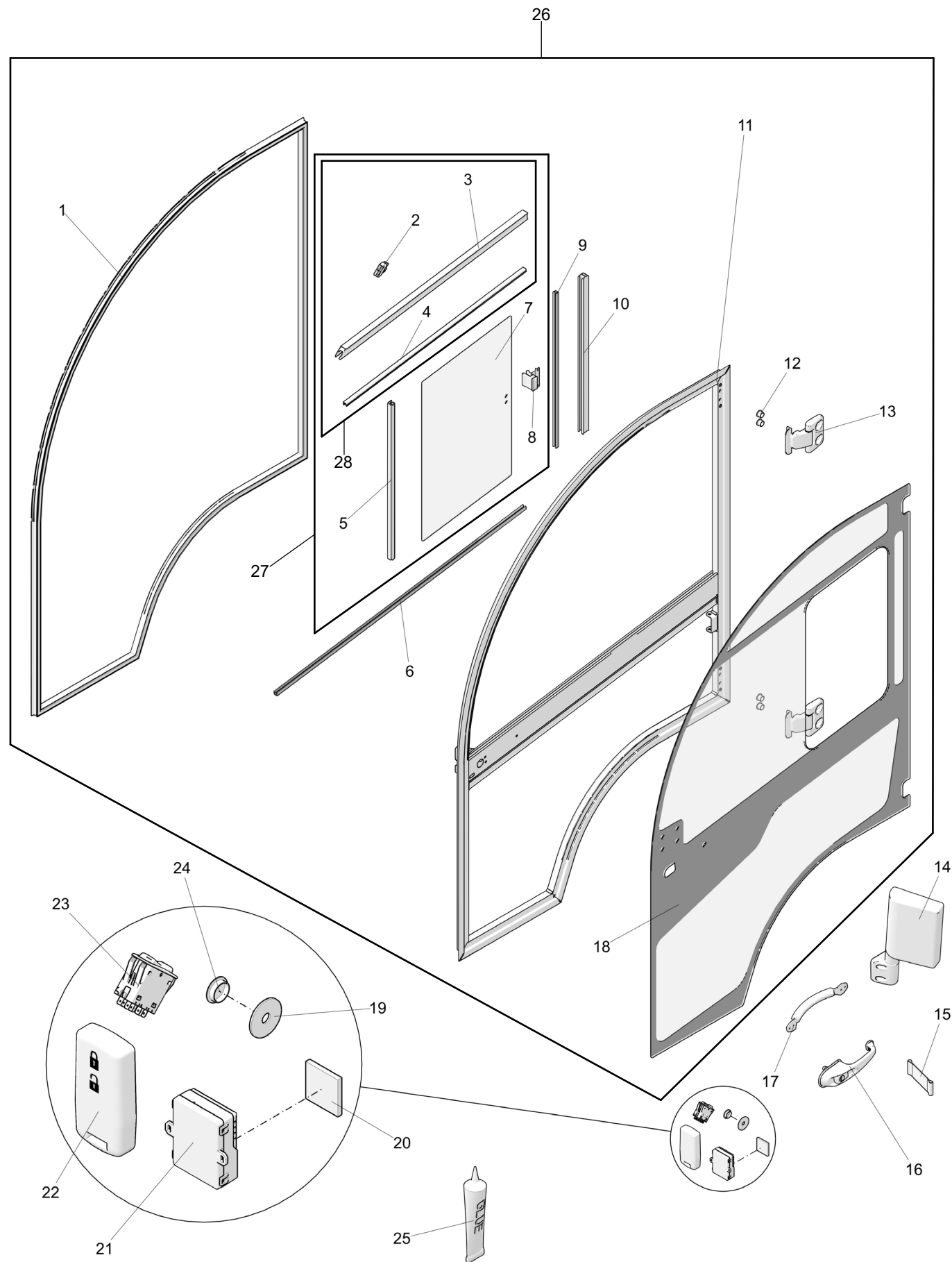
OPTION, ELECTRIC POWER STEERING

Applies to 7455001-09 [7305006-02]

Ref.	Part No.	Qty	Part Description	Notes
1	6200506	1	DRIVE SHAFT	
2	6200717	1	HARNESS EPS GW - MY17	
3	4200594	1	ELECTRIC POWER STEERING	
4	6113948	1	POWER STEERING BRACKET	
5	3450441	4	CLIP	
6	6200703	1	DRIVE SHAFT	
7	3200048	1	CLIP	

OPTION, CENTRAL LOCKING DOORS, LH DOOR

Applies to 7455001-09 [7305007-05]



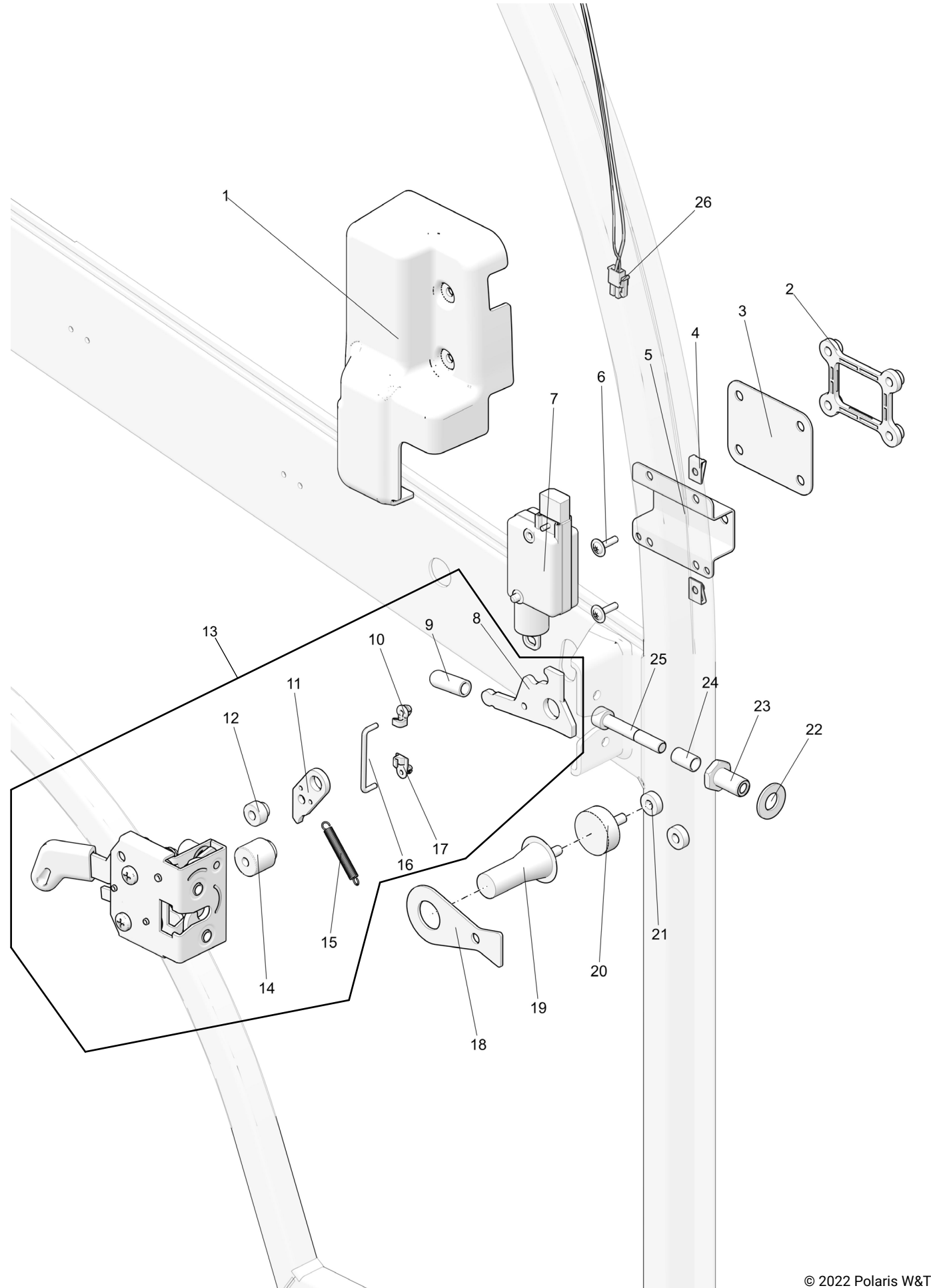
OPTION, CENTRAL LOCKING DOORS, LH DOOR

Applies to 7455001-09 [7305007-05]

Ref.	Part No.	Qty	Part Description	Notes
1	127MP431	1	ADHESIVE DOOR SEAL	
2	6207421	1	SLIDING WINDOW STOPPER	
3	6111356	1	LEFT SUPERIOR RAIL OF SLIDING GLASS	
4	127K961A	0,68 ML	GLASS SLIDE DOWN	
5	7002288	1	WINDOW WIPER SEAL LHS/RHS	
6	127K961A	0,942 ML	GLASS SLIDE DOWN	
7	127MP108V	1	LEFT DOOR TINTED GLASS	
8	4150049	1	SLIDING WINDOW CLOSURE	
9	127K961A	0,5 ML	GLASS SLIDE DOWN	
10	6110617	1	LH DOOR WINDOW REAR GUIDE RAIL	
11	6004272	1	LEFT DOOR FRAME	
12	4150620	4	BLACK PLUG Ø15	
13	127MP960-9005	2	DOOR HINGE	
14	4150005	1	EXTERNAL LH REAR VIEW MIRROR	
15	6207293	1	STRAP HOLDER	
16	4151048	1	EXT DOOR HANDLE + BARREL + KEY	
17	4150979	1	INSIDE HANDLE	
18	6207376	1	FIXED GLASS LEFT DOOR	
19	5300090	1	NITRILE WASHER	
20	4250204	0,04 ML	FOAM ADHESIVE SEAL	
21	3450626	1	CENTRAL LOCKING CONTROL MODULE	
22	2101351	2	CENTRAL LOCKING REMOTE	
23	3450627	1	SWITCH	
24	4151129	1	PLUG	
25	7140555	1	WINDOW GLUE KIT	
26	7140409	1	PREASSEMBLED LH DOOR G4	
27	7140444	1	SLIDING LEFT GLASS	WINDOW GLUE KIT NEEDED
28	7140448	1	SLIDING TOP RAIL KIT LH/RH G4	WINDOW GLUE KIT NEEDED

OPTION, CENTRAL LOCKING DOORS, LH DOOR

Applies to 7455001-09 [7305007-05]



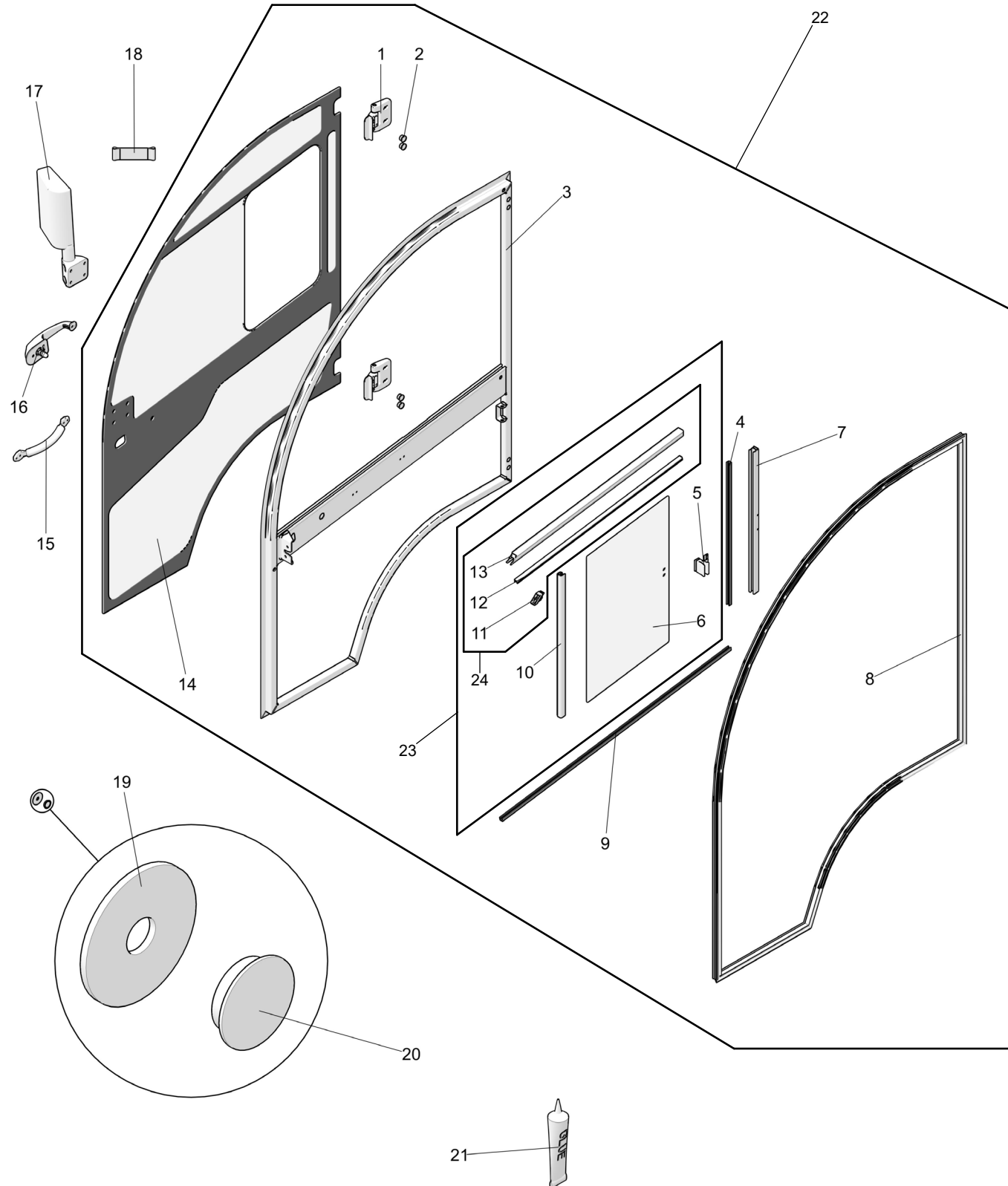
OPTION, CENTRAL LOCKING DOORS, LH DOOR

Applies to 7455001-09 [7305007-05]

Ref.	Part No.	Qty	Part Description	Notes
1	6200502	1	MOTOR LOCK COVER	
2	6207380	1	MIRROR BASE	
3	6110220	1	MOUNTING PLATE	
4	5250082	2	CLAMP NUT	
5	6109725	1	CENTRAL LOCKING MOTOR BRACKET	
6	5100122	2	BOLT	
7	128K105	1	MOTOR LOCK	
8	6110840	1	LOCKING FINGER	
9	4250206	1	CAP	
10	4150881	1	LOCK ROD CLIP	
11	127MP041	1	CAM LOCK LEFT	
12	127MP049	1	CAM LOCK SPACER	
13	4151045	1	LEFT DOOR LOCK	
14	127MP074	1	LEVER LOCKING RING	
15	127MP047	1	SPRING LOCK REMINDER	
16	127MP079	1	ROD LOCK	
17	4150983	1	LOCK ROD GREEN CLIP	
18	6111495	1	DOOR SENSOR BRACKET	
19	3450320	1	SWITCH	
20	4150963	1	RUBBER FEET	
21	4150740	1	SPACER	
22	5300003	1	WASHER	
23	127MP064A	1	DOOR STRIKER PIN	
24	127MP065	1	RING	
25	5000023	1	BOLT	
26	6200296	1	WIRING HARNESS OF DOOR	

OPTION, CENTRAL LOCKING DOORS, RH DOOR

Applies to 7455001-09 [7305007-05]



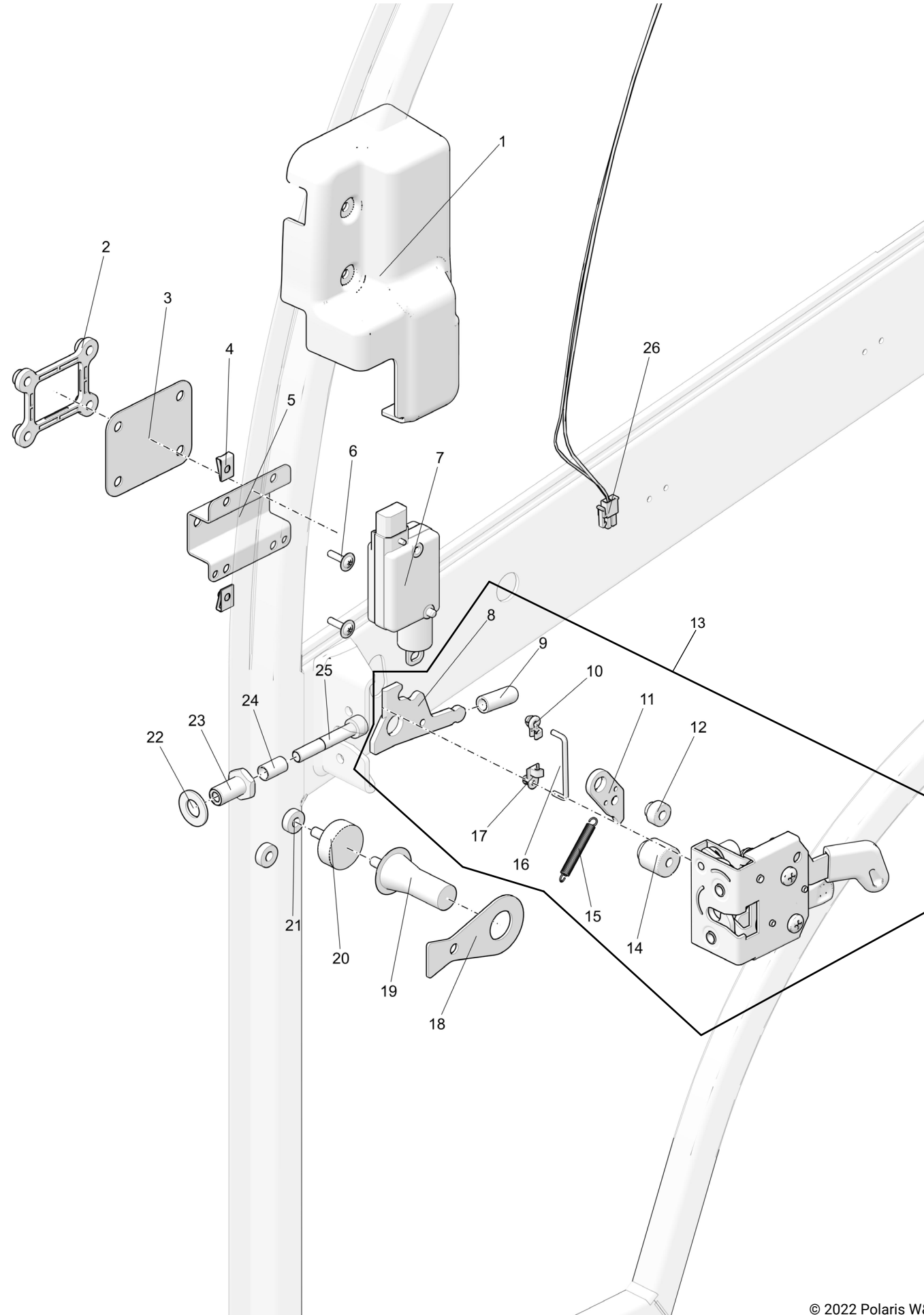
OPTION, CENTRAL LOCKING DOORS, RH DOOR

Applies to 7455001-09 [7305007-05]

Ref.	Part No.	Qty	Part Description	Notes
1	127MP960-9005	2	DOOR HINGE	
2	4150620	4	BLACK PLUG Ø15	
3	6004273	1	RIGHT DOOR FRAME	
4	127K961A	0,5 ML	GLASS SLIDE DOWN	
5	4150049	1	SLIDING WINDOW CLOSURE	
6	127MP109V	1	RIGHT DOOR TINTED GLASS	
7	6110618	1	RH DOOR WINDOW REAR GUIDE RAIL	
8	127MP431	1	ADHESIVE DOOR SEAL	
9	127K961A	0,942 ML	GLASS SLIDE DOWN	
10	7002289	1	WINDOW WIPER SEAL LHS/RHS	
11	6207421	1	SLIDING WINDOW STOPPER	
12	127K961A	0,68 ML	GLASS SLIDE DOWN	
13	6111357	1	LEFT SUPERIOR RAIL OF SLIDING GLASS	
14	6207377	1	FIXED GLASS RIGHT DOOR	
15	4150979	1	INSIDE HANDLE	
16	4151048	1	EXT DOOR HANDLE + BARREL + KEY	
17	4150006	1	EXTERNAL RH REAR VIEW MIRROR	
18	6207293	1	STRAP HOLDER	
19	5300090	1	NITRILE WASHER	
20	4151129	1	PLUG	
21	7140555	1	WINDOW GLUE KIT	
22	7140410	1	PREASSEMBLED RH DOOR	
23	7140445	1	SLIDING RIGHT GLASS	WINDOW GLUE KIT NEEDED
24	7140448	1	SLIDING TOP RAIL + WINDOW STOPPER LH/RH	WINDOW GLUE KIT NEEDED

OPTION, CENTRAL LOCKING DOORS, RH DOOR

Applies to 7455001-09 [7305007-05]



OPTION, CENTRAL LOCKING DOORS, RH DOOR

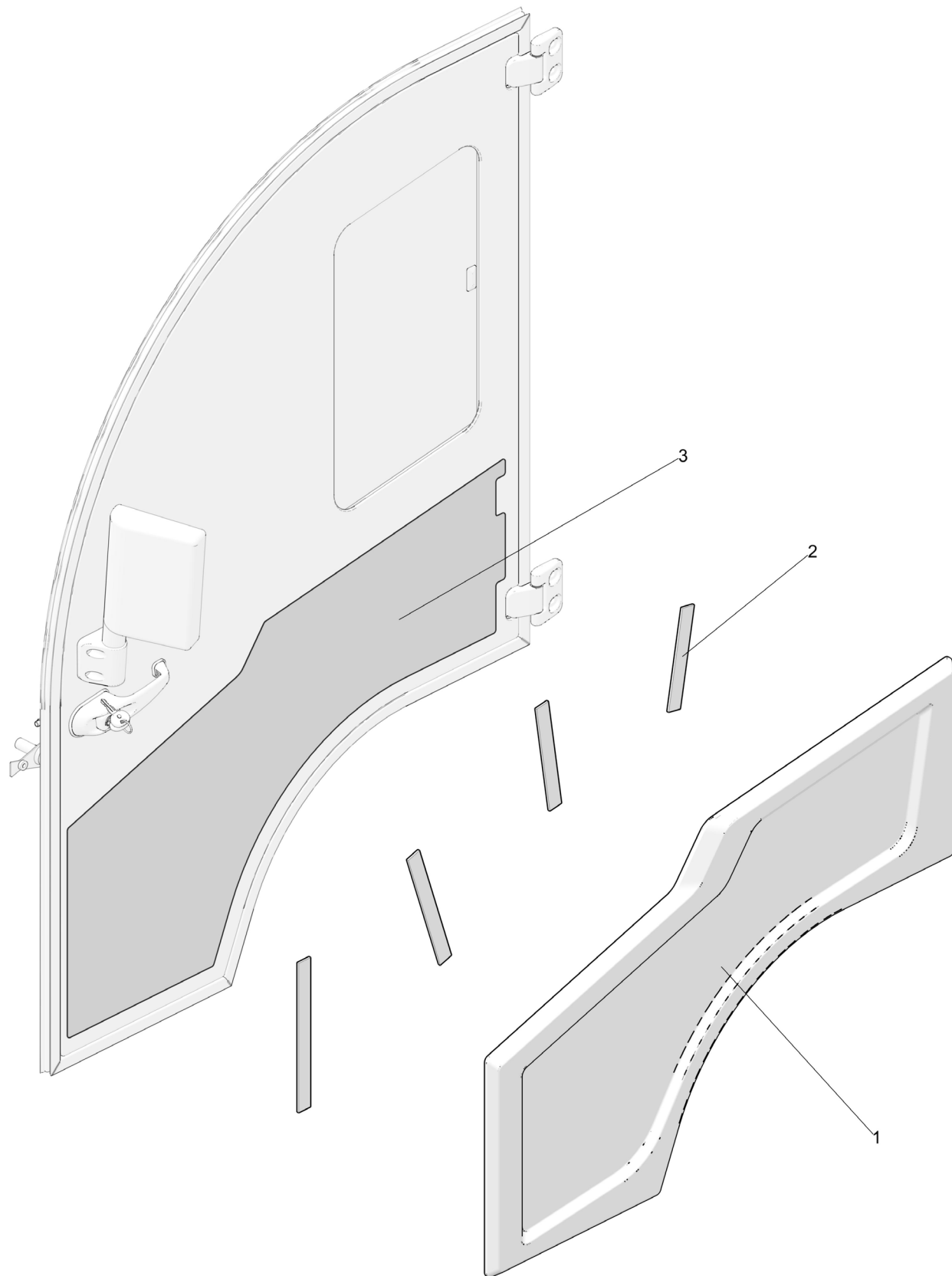
Applies to 7455001-09 [7305007-05]

Ref.	Part No.	Qty	Part Description	Notes
1	6200503	1	MOTOR LOCK COVER	
2	6207380	1	MIRROR BASE	
3	6110220	1	MOUNTING PLATE	
4	5250082	2	CLAMP NUT	
5	6109725	1	CENTRAL LOCKING MOTOR BRACKET	
6	5100122	2	BOLT	
7	128K105	1	MOTOR LOCK	
8	6110840	1	LOCKING FINGER	
9	4250206	1	CAP	
10	4150881	1	LOCK ROD CLIP	
11	127MP042	1	ROD LOCK	
12	127MP049	1	CAM LOCK SPACER	
13	4151044	1	RIGHT DOOR LOCK	
14	127MP074	1	LEVER LOCKING RING	
15	127MP047	1	SPRING LOCK REMINDER	
16	127MP079	1	ROD LOCK	
17	4150983	1	LOCK ROD GREEN CLIP	
18	6111495	1	DOOR SENSOR BRACKET	
19	3450320	1	SWITCH	
20	4150963	1	RUBBER FEET	
21	4150740	2	SPACER	
22	5300003	1	WASHER	
23	127MP064A	1	DOOR STRIKER PIN	
24	127MP065	1	RING	
25	5000023	1	BOLT	
26	6200296	1	WIRING HARNESS OF DOOR	



OPTION, PROTECTION LEFT DOOR

Applies to 7455001-09 [7305014-01]



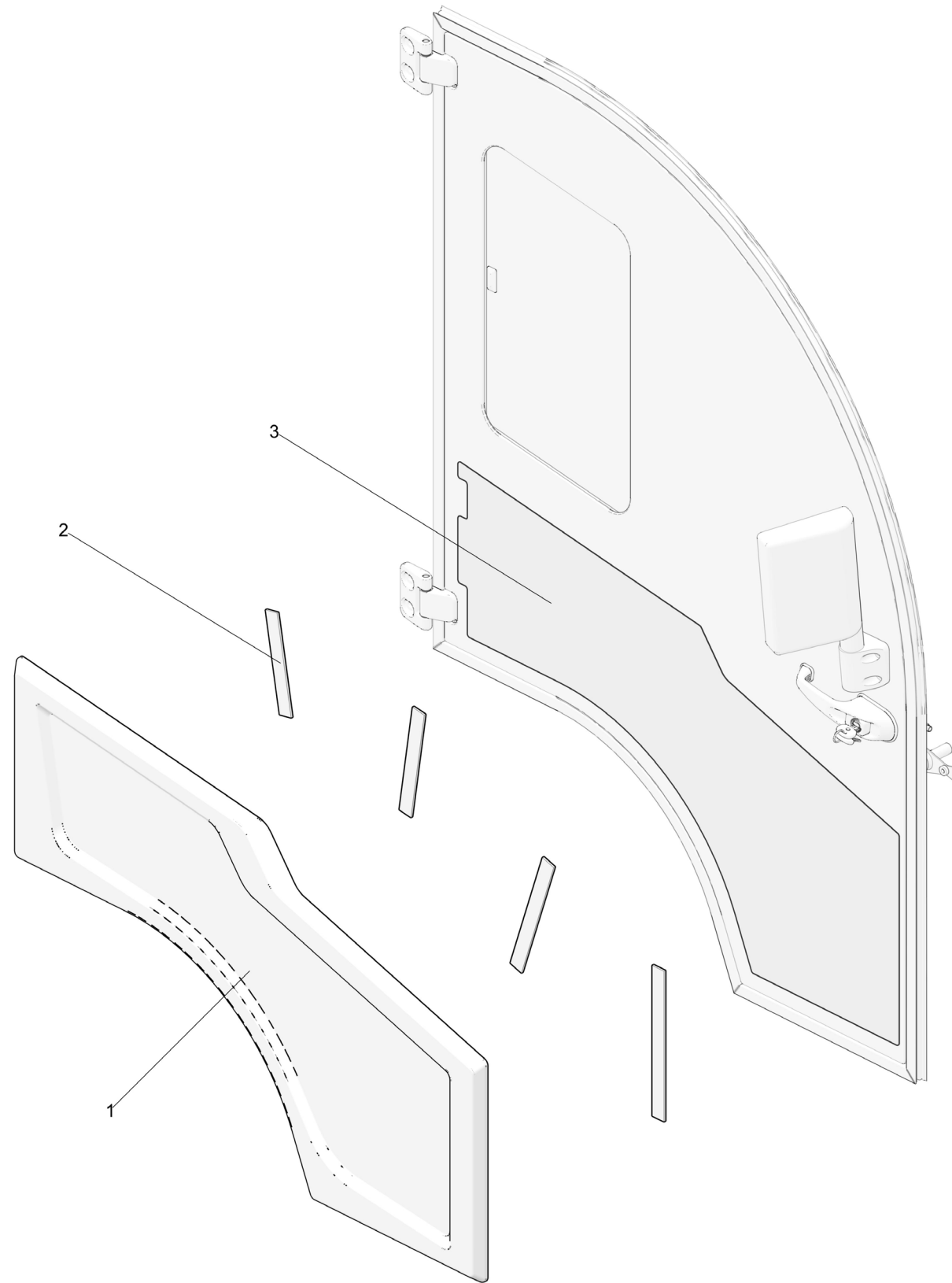
OPTION, PROTECTION LEFT DOOR

Applies to 7455001-09 [7305014-01]

Ref.	Part No.	Qty	Part Description	Notes
1	6207267	1	LH EXTERNAL DOOR PROTECTION	
2	4250220	2,5	DUAL LOCK TAPE	
3	6500513	1	DOOR PROTECTION INNER STICKER	

*OPTION, RIGHT DOOR PROTECTION*

**Applies to 7455001-09 [7305061-01]**



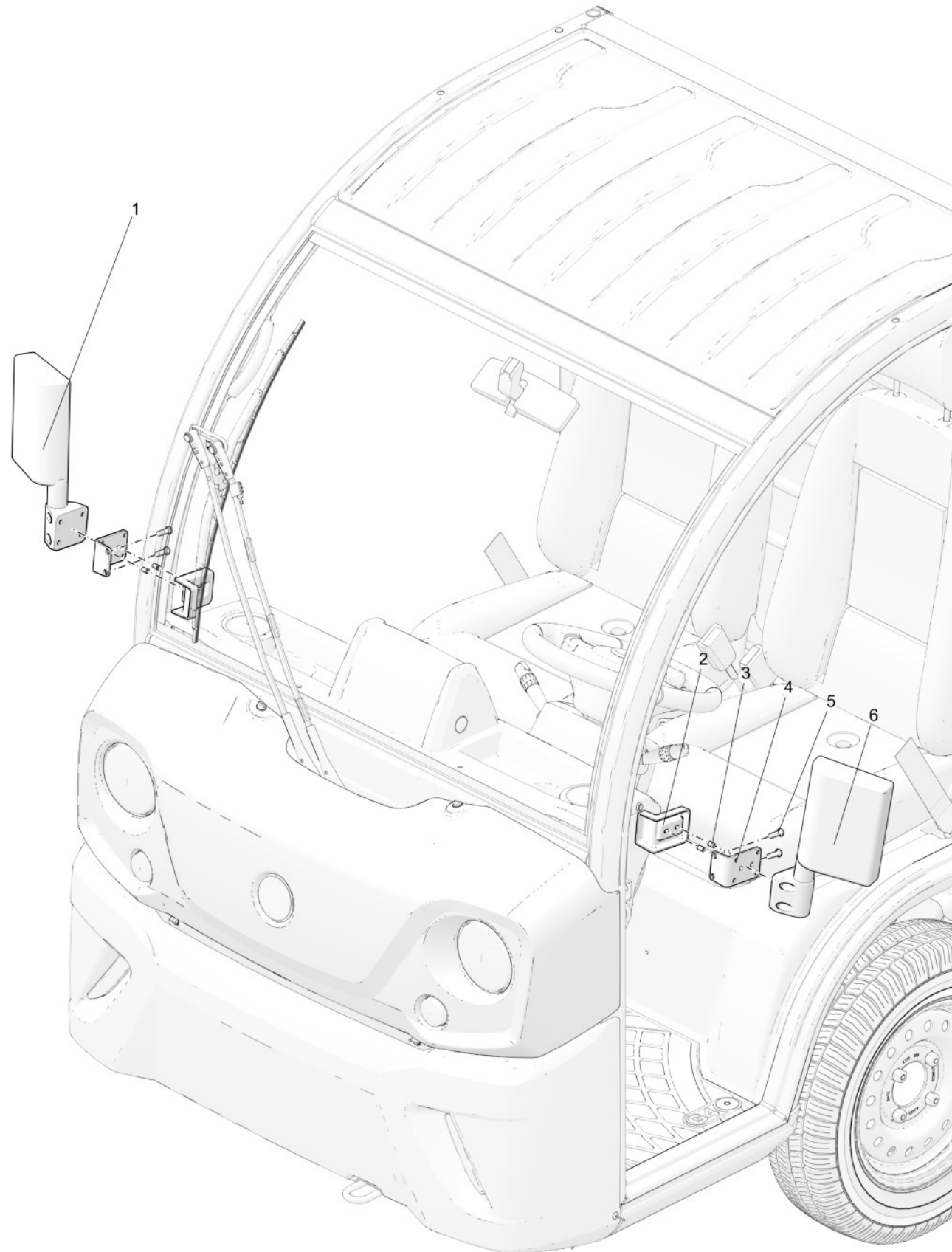
*OPTION, RIGHT DOOR PROTECTION*

**Applies to 7455001-09 [7305061-01]**

Ref.	Part No.	Qty	Part Description	Notes
1	6207268	1	RH EXTERNAL DOOR PROTECTION	
2	4250220	2,5	DUAL LOCK TAPE	
3	6500514	1	DOOR PROTECTION INNER STICKER	

*OPTION, LATERAL DOORLESS KIT*

**Applies to 7455001-09 [7305047-01]**



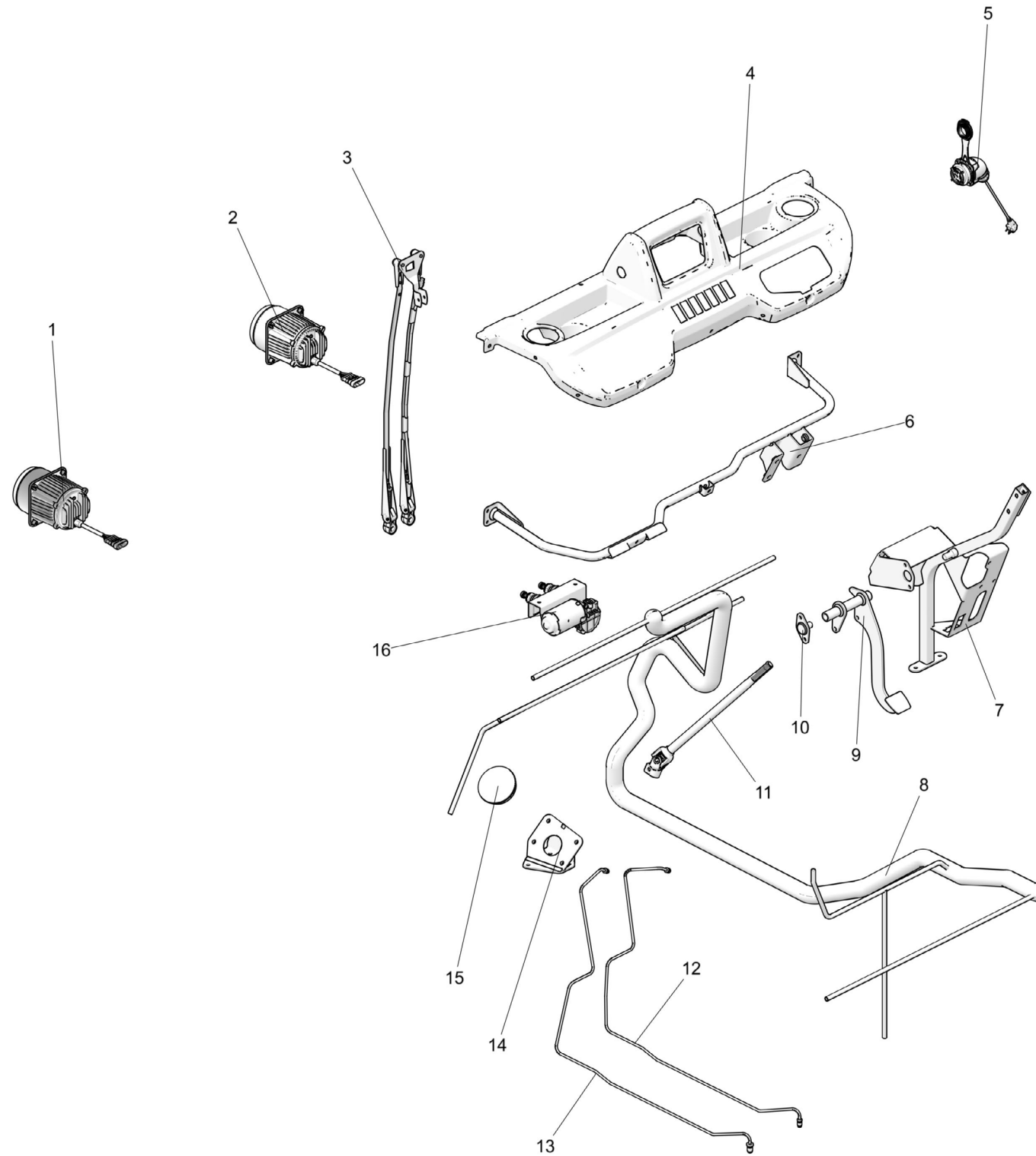
*OPTION, LATERAL DOORLESS KIT*

**Applies to 7455001-09 [7305047-01]**

Ref.	Part No.	Qty	Part Description	Notes
1	4150006	1	EXTERNAL RH REAR VIEW MIRROR	
2	6200710	2	PLASTIC VALENCE	
3	5250030	4	M5 INSERT	
4	6109919	2	SUPPORT	
5	5100133	4	SCREWS	
6	4150005	1	EXTERNAL LH REAR VIEW MIRROR	

OPTION, RIGHT HAND DRIVE UK / LEFT HAND TRAFFIC

Applies to 7455001-09 [7305009-04]



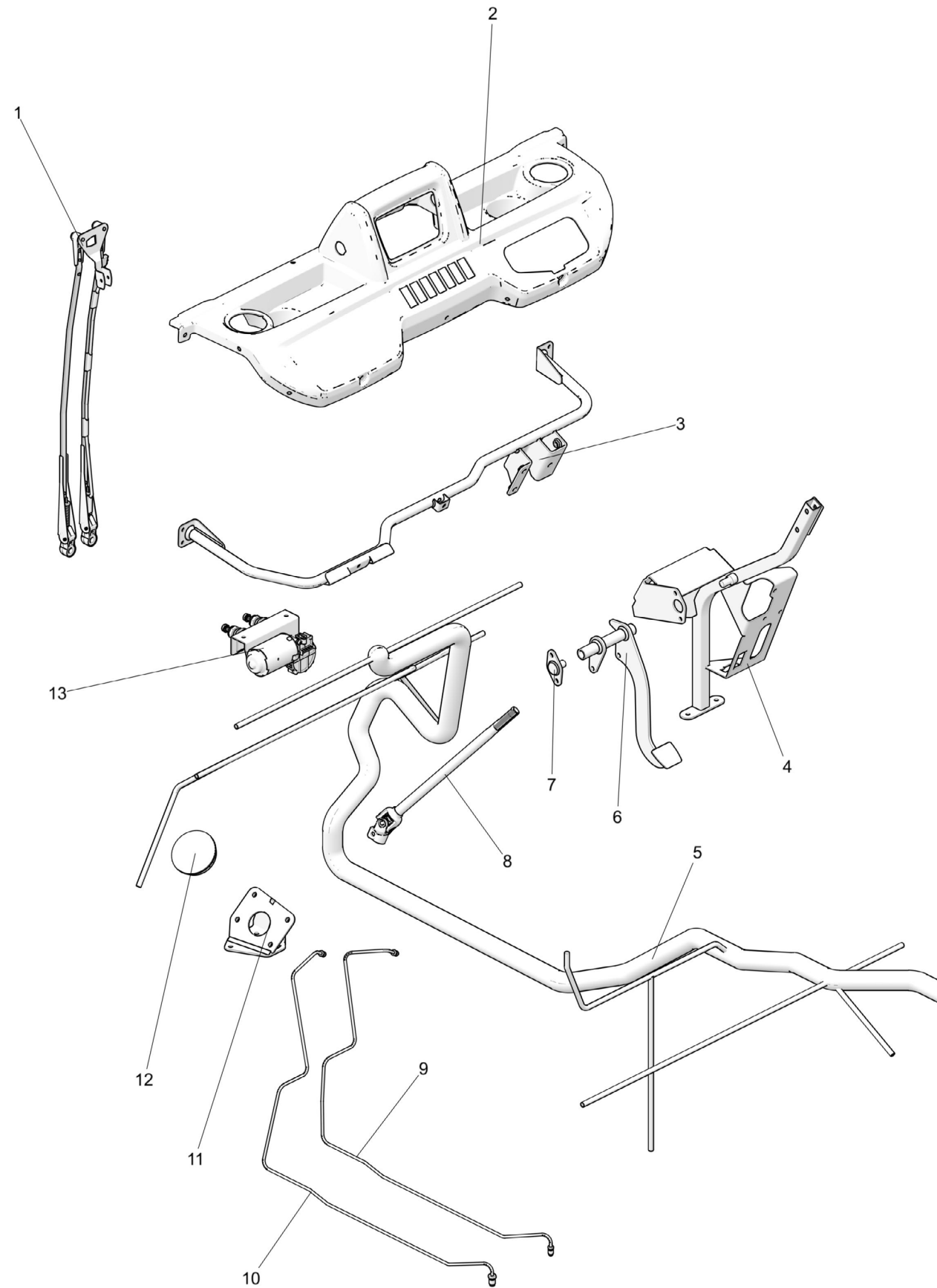
OPTION, RIGHT HAND DRIVE UK / LEFT HAND TRAFFIC

Applies to 7455001-09 [7305009-04]

Ref.	Part No.	Qty	Part Description	Notes
1	3550148	1	LEFT FRONT LIGHT (UK)	
2	3550149	1	RIGHT FRONT LIGHT (UK)	
3	4150994	1	WINDSCREEN WIPER ARM	
4	6207731	1	UK UPPER DASHBOARD	
5	6200735	1	FEMALE CHARGING CABLE (UK SOCKET)	
6	6004112	1	STEERING COLUMN BRACKET	
7	6004611	1	PEDAL UNIT UK	
8	7102069-04	1	HARNESS	
9	6004109	1	BRAKE PEDAL	
10	6004110	1	BRAKE PEDAL BEARING	
11	6200704	1	UNIVERSAL JOINT	
12	6207466	1	FRONT M10 UK BRAKE PIPE	
13	6207467	1	FRONT M12 UK BRAKE PIPE	
14	6004111	1	ANGULAR GEARBOX BRACKET	
15	6207335	1	PLUG	
16	3500237	1	WIPER MOTOR	

OPTION, RIGHT HAND DRIVE / RIGHT HAND TRAFFIC

Applies to 7455001-09 [7305029-03]



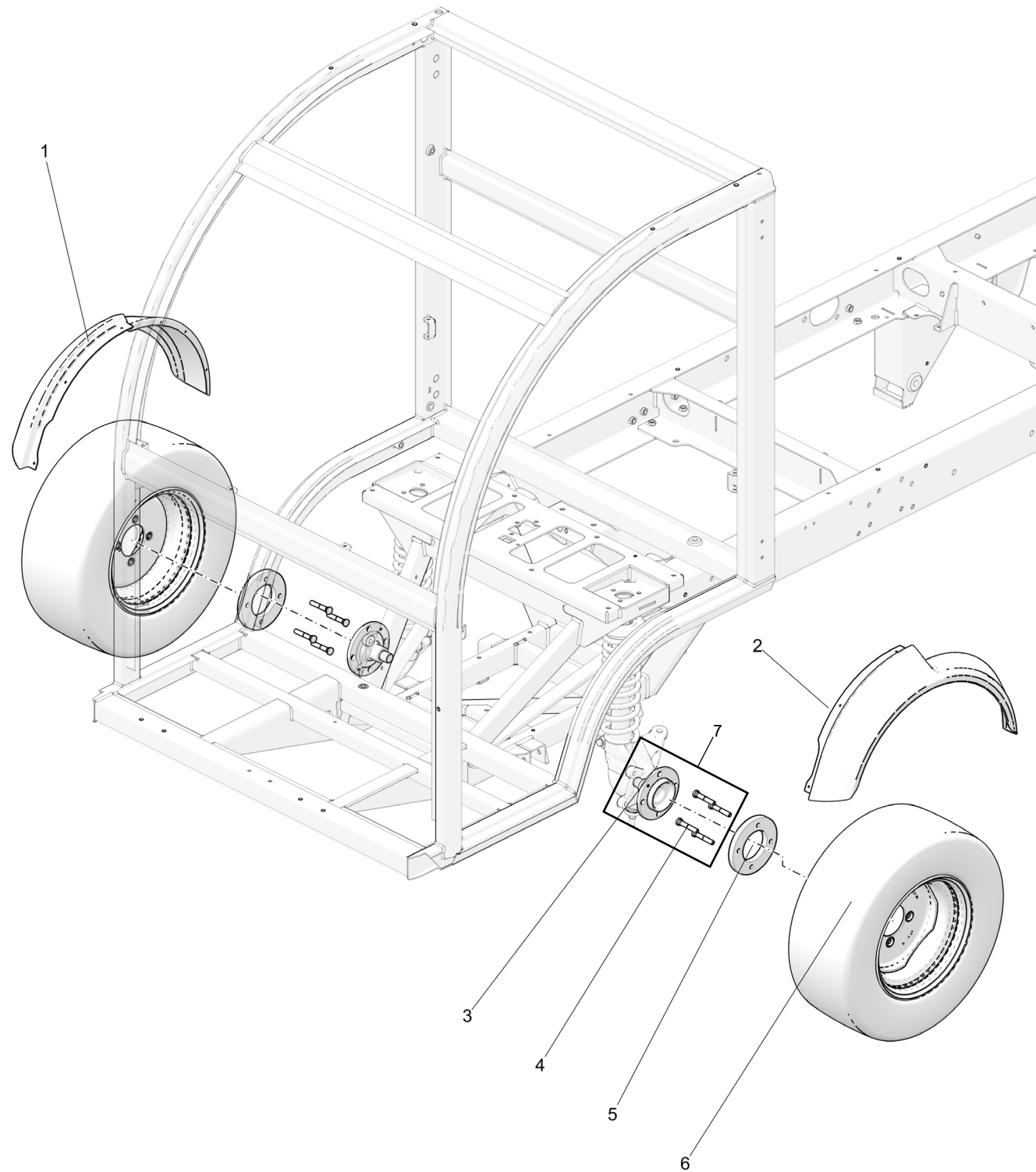
OPTION, RIGHT HAND DRIVE / RIGHT HAND TRAFFIC

Applies to 7455001-09 [7305029-03]

Ref.	Part No.	Qty	Part Description	Notes
1	4150994	1	WINDSCREEN WIPER ARM	
2	6207731	1	UK UPPER DASHBOARD	
3	6004112	1	STERRING COLUMN BRACKET	
4	6004611	1	LHD PEDAL UNIT	
5	7102070-03	1	HARNESS	
6	6004109	1	BRAKE PEDAL	
7	6004110	1	BRAKE PEDAL BEARING	
8	6200704	1	UNIVERSAL JOINT	
9	6207466	1	FRONT M10 UK BRAKE PIPE	
10	6207467	1	FRONT M12 UK BRAKE PIPE	
11	6004111	1	ANGULAR GEARBOX BRACKET	
12	6207335	1	PLUG	
13	3500237	1	WIPER MOTOR	

**OPTION, LOW PRESSURE WHEELS**

**Applies to 7455001-09 [7305031-04]**



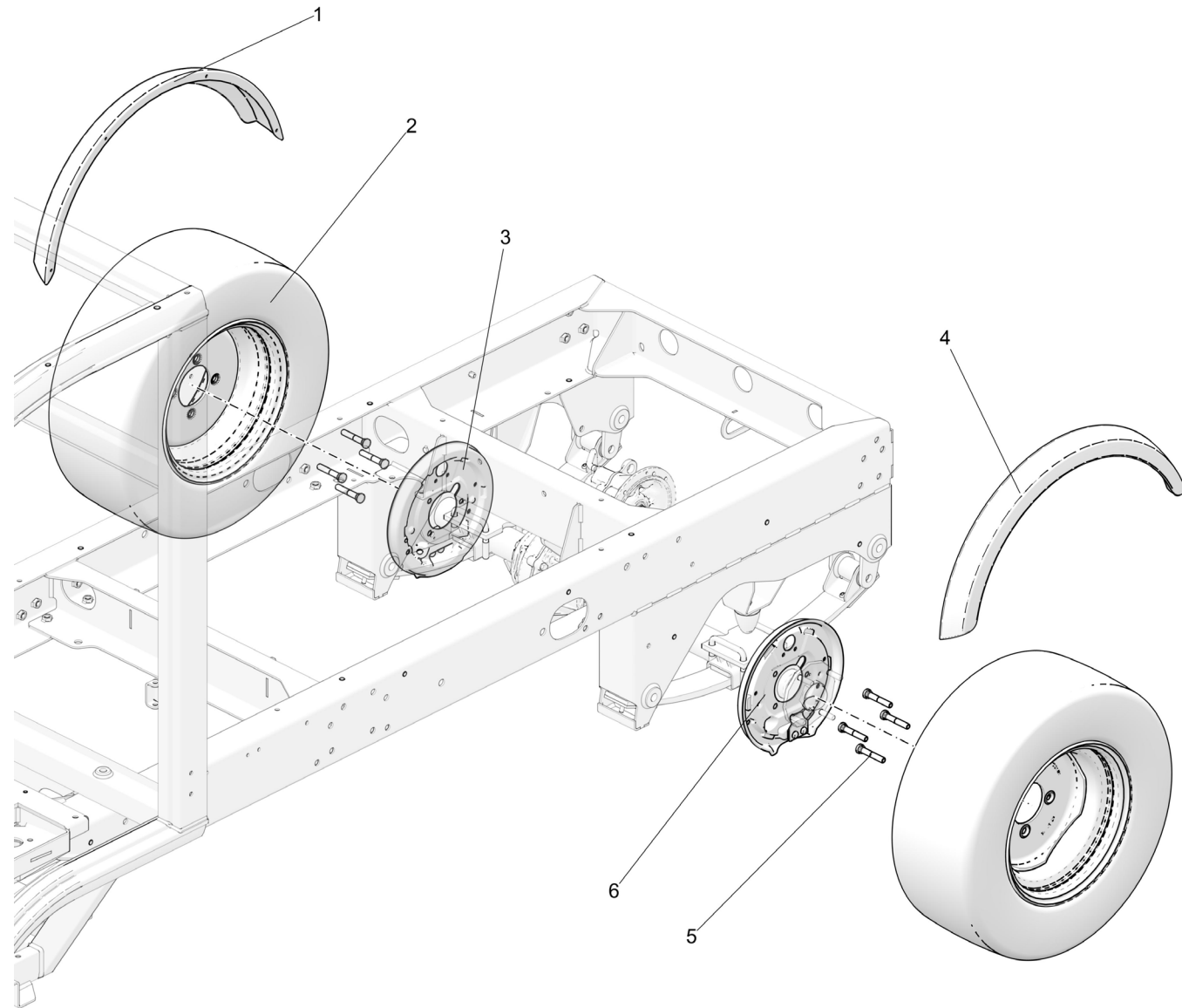
**OPTION, LOW PRESSURE WHEELS**

**Applies to 7455001-09 [7305031-04]**

Ref.	Part No.	Qty	Part Description	Notes
1	6207365	1	WHEEL SPREADER	
2	6207363	1	WHEEL SPREADER	
3	6200796	2	AXLE	
4	6207391	8	WHEEL STUD	
5	6110074	2	SAPCER	
6	4100065	2	LOW PRESSURE WHEEL	
7	7102165-01	2	HUB AND STUD FOR LOW PRESSURE WHEELS	

*OPTION, LOW PRESSURE WHEELS*

**Applies to 7455001-09 [7305031-04]**



*OPTION, LOW PRESSURE WHEELS*

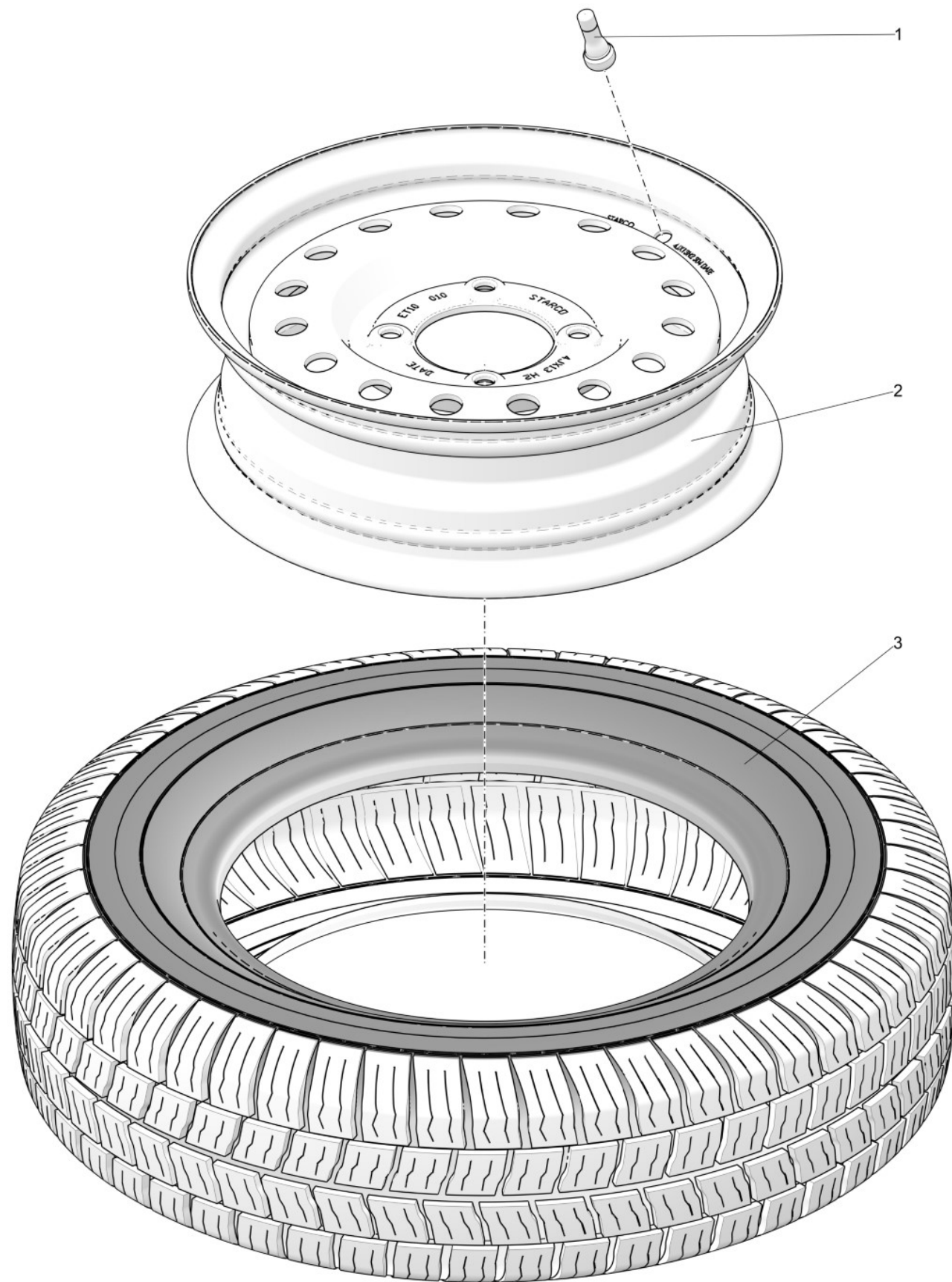
**Applies to 7455001-09 [7305031-04]**

Ref.	Part No.	Qty	Part Description	Notes
1	6207366	1	WHEEL SPREADER	
2	4100065	2	LOW PRESSURE WHEEL	
3	6200534	1	BRAKE PLATE LH	
4	6207364	1	WHEEL SPREADER	
5	6207391	8	WHEEL STUD	
6	6200533	1	BRAKE PLATE LH	



OPTION, SPARE WHEEL 155R13C FOR STANDARD SUMMER TYRES

Applies to 7455001-09 [7305039-01]



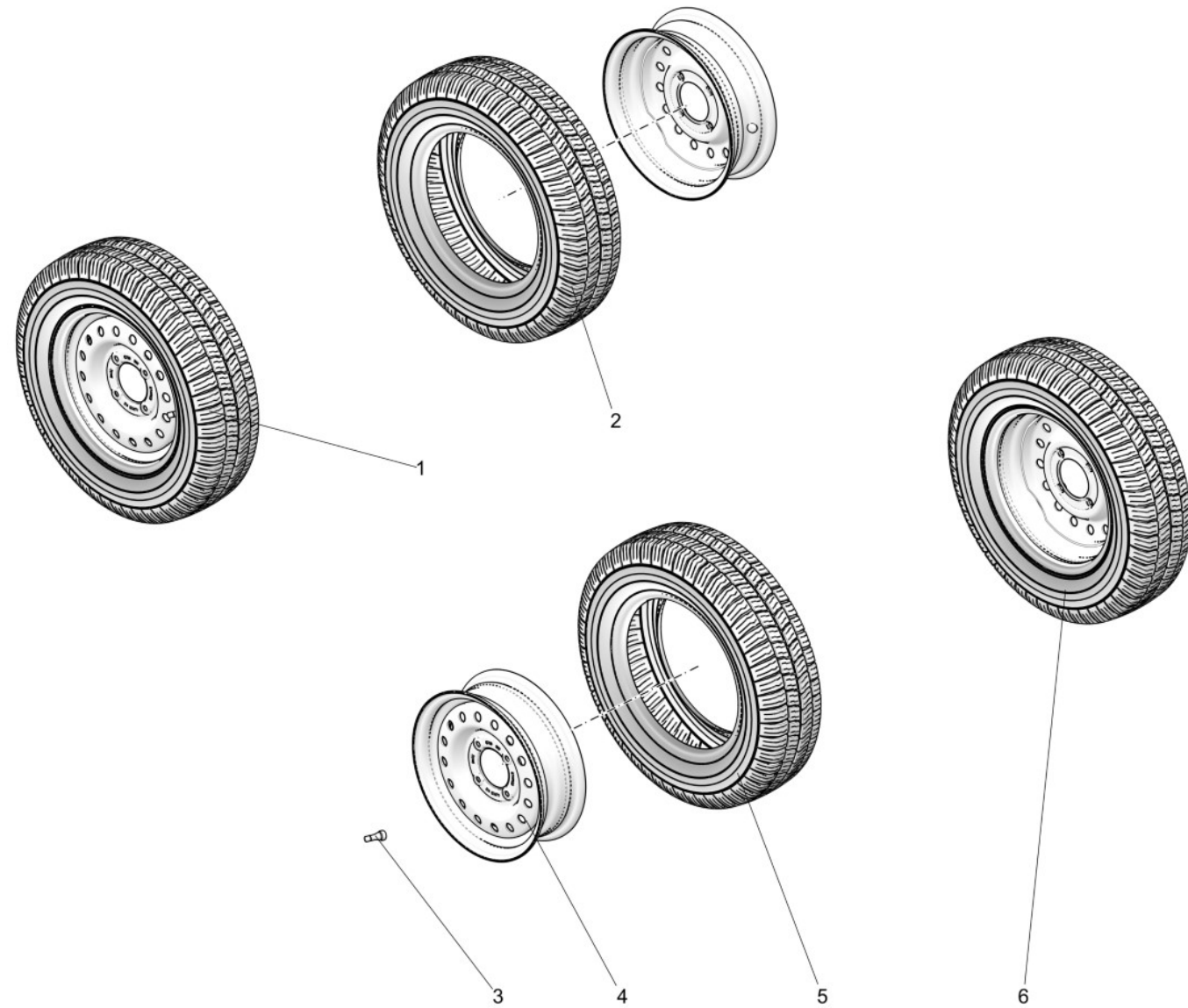
OPTION, SPARE WHEEL 155R13C FOR STANDARD SUMMER TYRES

Applies to 7455001-09 [7305039-01]

Ref.	Part No.	Qty	Part Description	Notes
1	2100253	1	VALVE	
2	2050159	1	RIM	
3	2050149	1	TYRE	

OPTION, WINTER TYRES

Applies to 7455001-09 [7305199]



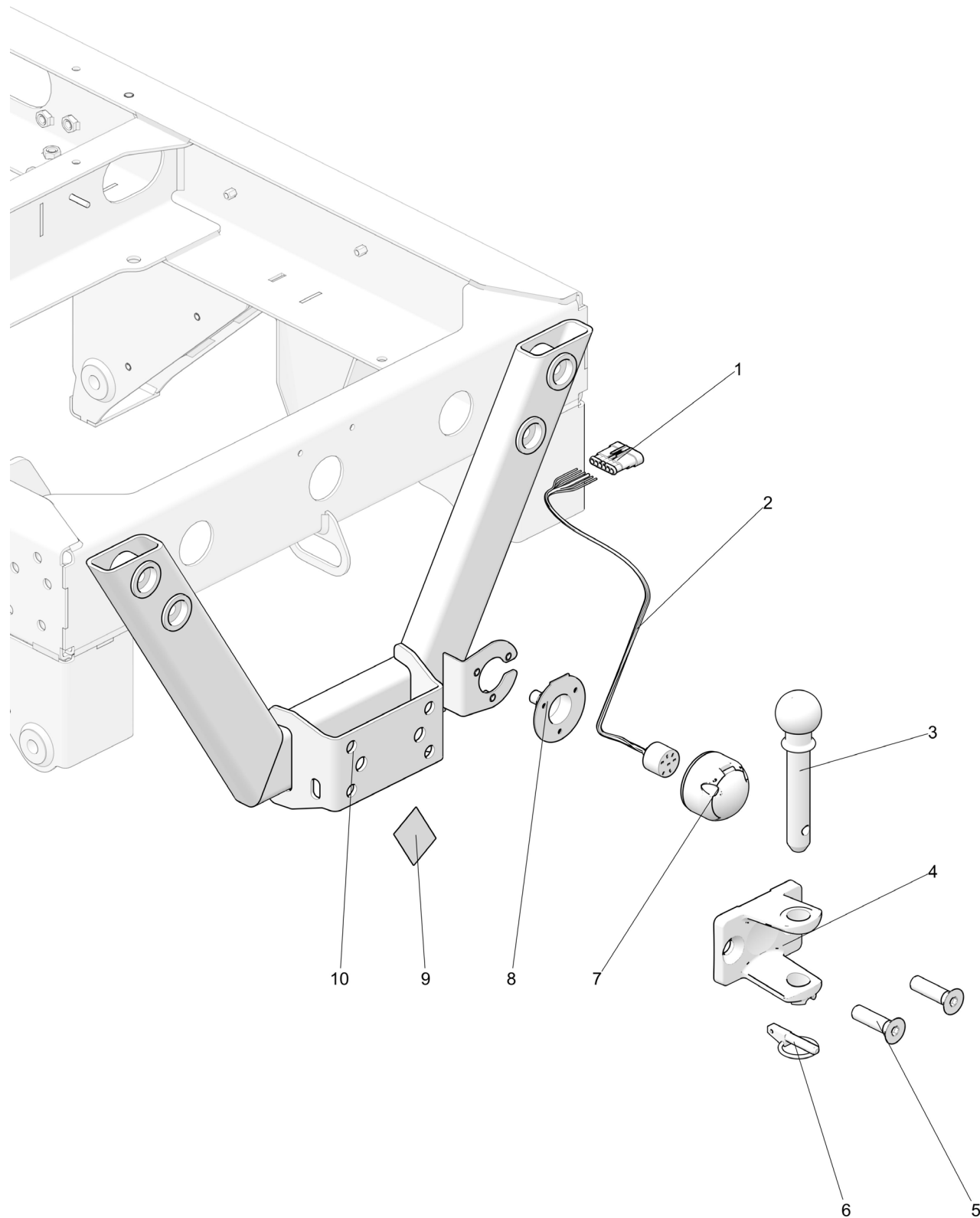
OPTION, WINTER TYRES

Applies to 7455001-09 [7305199]

Ref.	Part No.	Qty	Part Description	Notes
1	4100077	2	LEFT WHEEL 3PMSF	
2	2050194	2	RIGHT TYRE 3PMSF	
3	2100253	1	VALVE	
4	2050174	1	RIM	
5	2050193	2	LEFT TYRE 3PMSF	
6	4100076	2	RIGHT WHEEL 3PMSF	

OPTION, TOW HITCH / TRAILER PLUG

Applies to 7455001-09 [7305011-02]



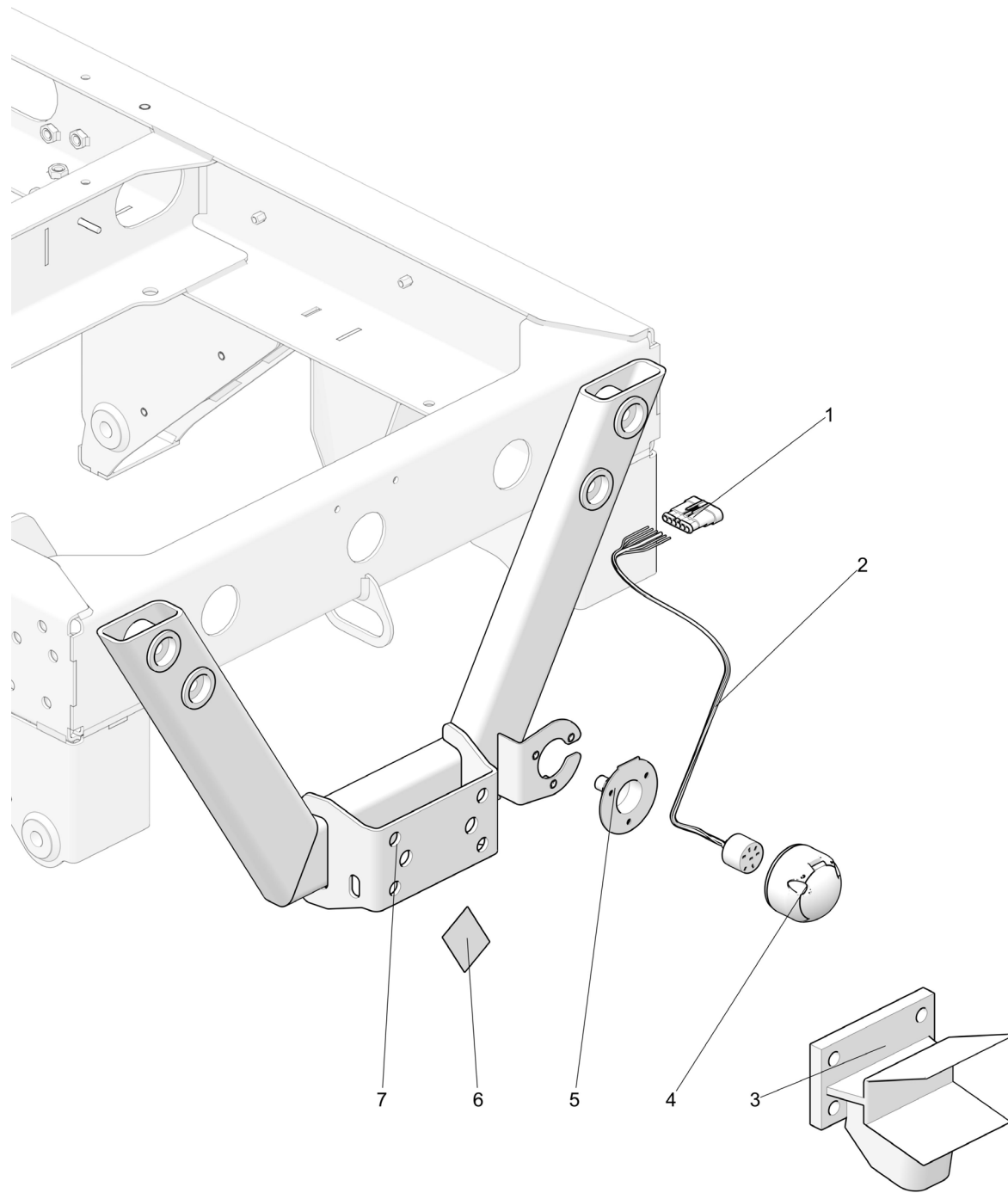
OPTION, TOW HITCH / TRAILER PLUG

Applies to 7455001-09 [7305011-02]

Ref.	Part No.	Qty	Part Description	Notes
1	3350136	1	HOUSING	
2	6207408	1	ELECTRIC HARNESS	
3	2100026	1	ROD AND BALL Ø50	
4	4200456	1	COUPLING BALL WITH COVER	
5	5100175	2	SCREW	
6	2100027	1	PIN	
7	3450157	1	TRAILER SOCKET	
8	3450129	1	TRAILER SOCKET PROTECTION	
9	6500490	1	TOWING HOOK STICKER	
10	6004068	1	TOW HITCH BRACKET	

OPTION, ROCKINGER HITCH / TRAILER PLUG

Applies to 7455001-09 [7305012-01]



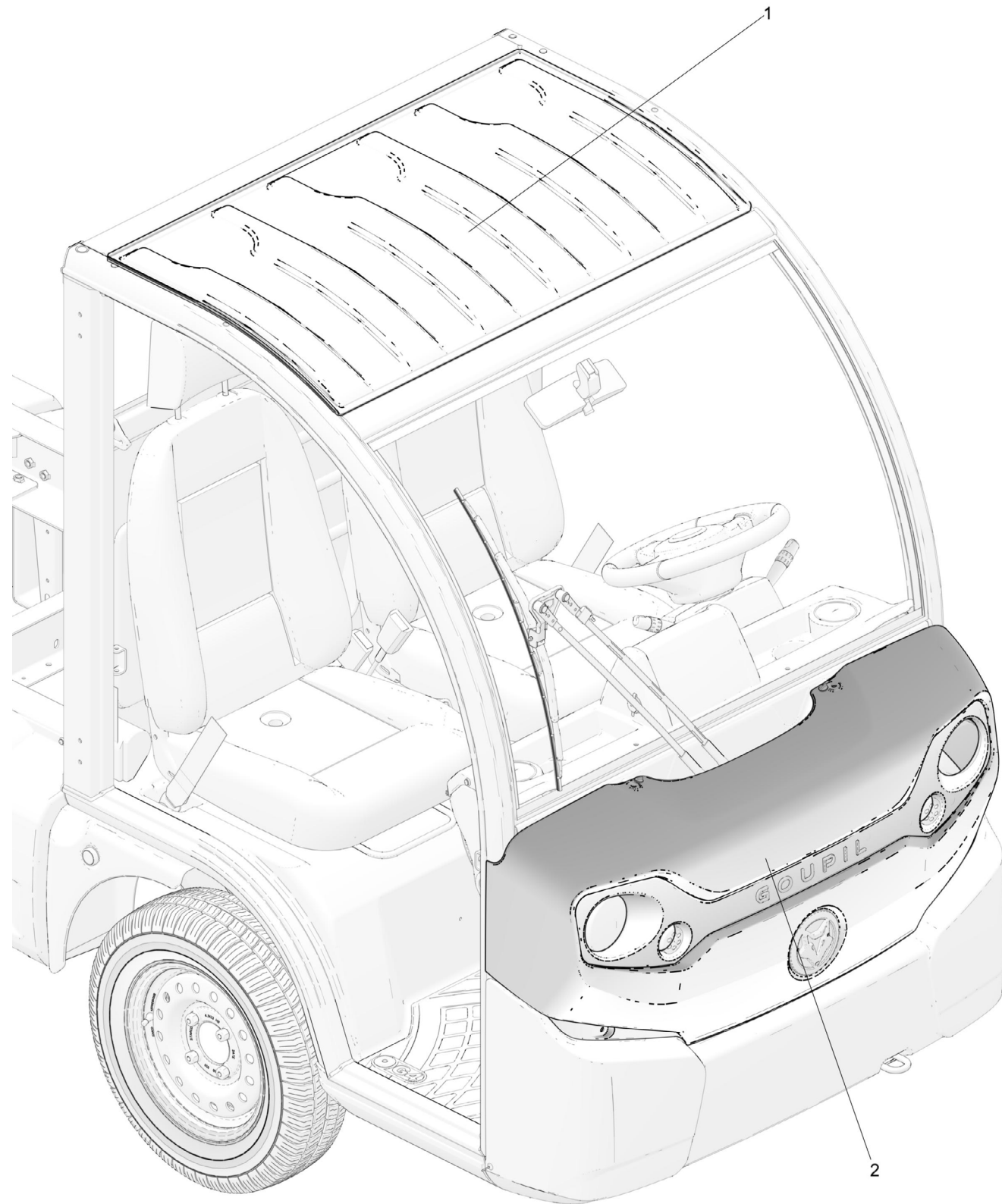
OPTION, ROCKINGER HITCH / TRAILER PLUG

Applies to 7455001-09 [7305012-01]

Ref.	Part No.	Qty	Part Description	Notes
1	3350136	1	HOUSING	
2	6207408	1	ELECTRIC HARNESS	
3	4200208	1	ROCKINGER COUPLING	
4	3450157	1	TRAILER SOCKET	
5	3450129	1	TRAILER SOCKET PROTECTION	
6	6500490	1	TOWING HOOK STICKER	
7	6004068	1	TOW HITCH BRACKET	

OPTION, COLORS

Applies to 7455001-09 [7305016-02 - 7305017-02 - 7305018-02]



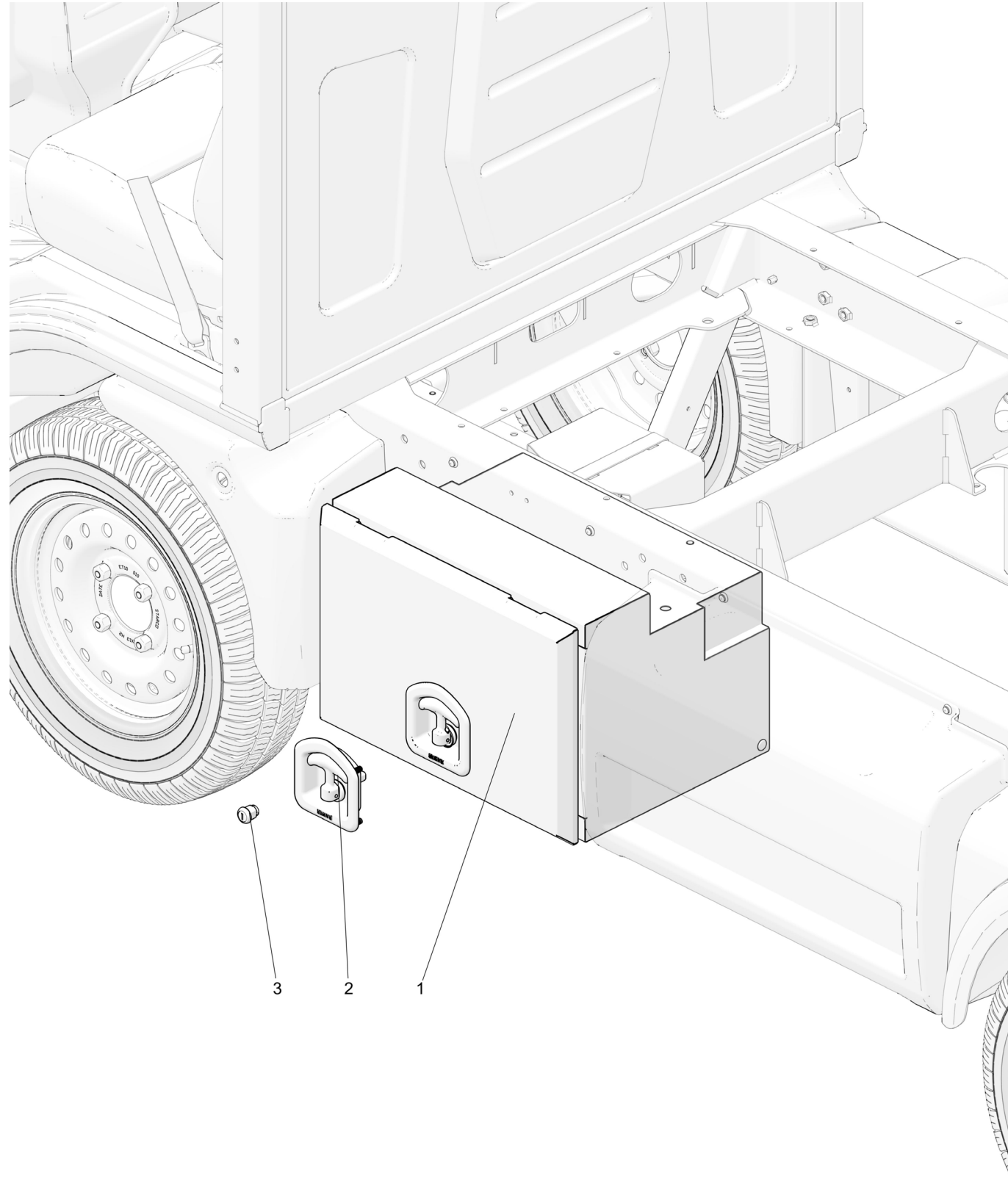
OPTION, COLORS

Applies to 7455001-09 [7305016-02 - 7305017-02 - 7305018-02]

Ref.	Part No.	Qty	Part Description	Notes
1	6207399-1004	1	YELLOW ROOF CAB	
2	6207726-1004	1	YELLOW FRONT GRILL	
1	6207399-2011	1	ORANGE ROOF CAB	
2	6207726-2011	1	ORANGE FRONT GRILL	
1	6207399-6024	1	GREEN ROOF CAB	
2	6207726-6024	1	GREEN FRONT GRILL	

OPTION, LEFT LATERAL STORAGE CASE

Applies to 7455001-09 [7305032-01]



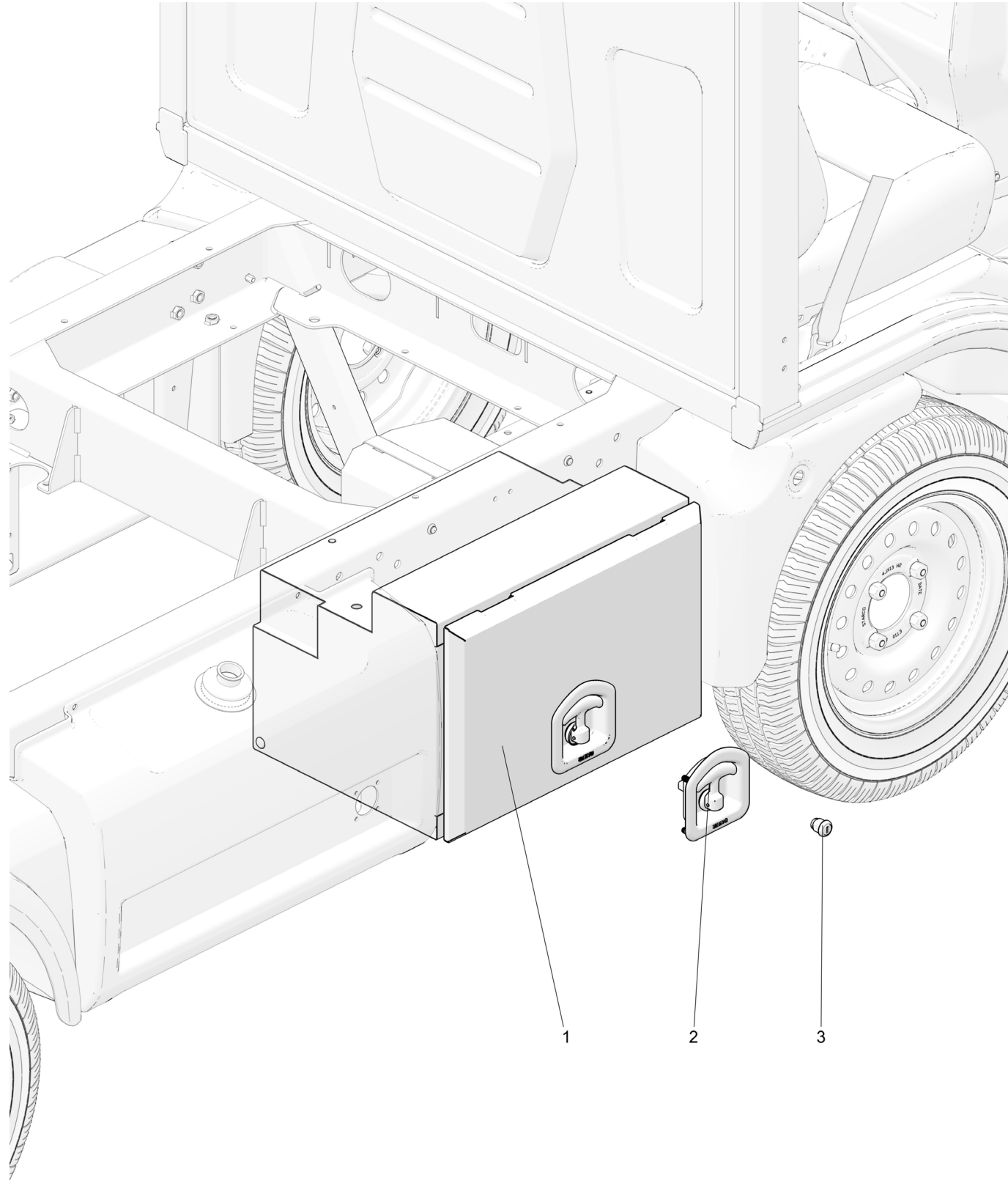
OPTION, LEFT LATERAL STORAGE CASE

Applies to 7455001-09 [7305032-01]

Ref.	Part No.	Qty	Part Description	Notes
1	4200459	1	BOX	
2	2100422	1	BOOT HANDLE WITH KEY LOCKING	
3	2100745	1	BARREL + KEY	

OPTION, RIGHT LATERAL STORAGE CASE

Applies to 7455001-09 [7305071]



OPTION, RIGHT LATERAL STORAGE CASE

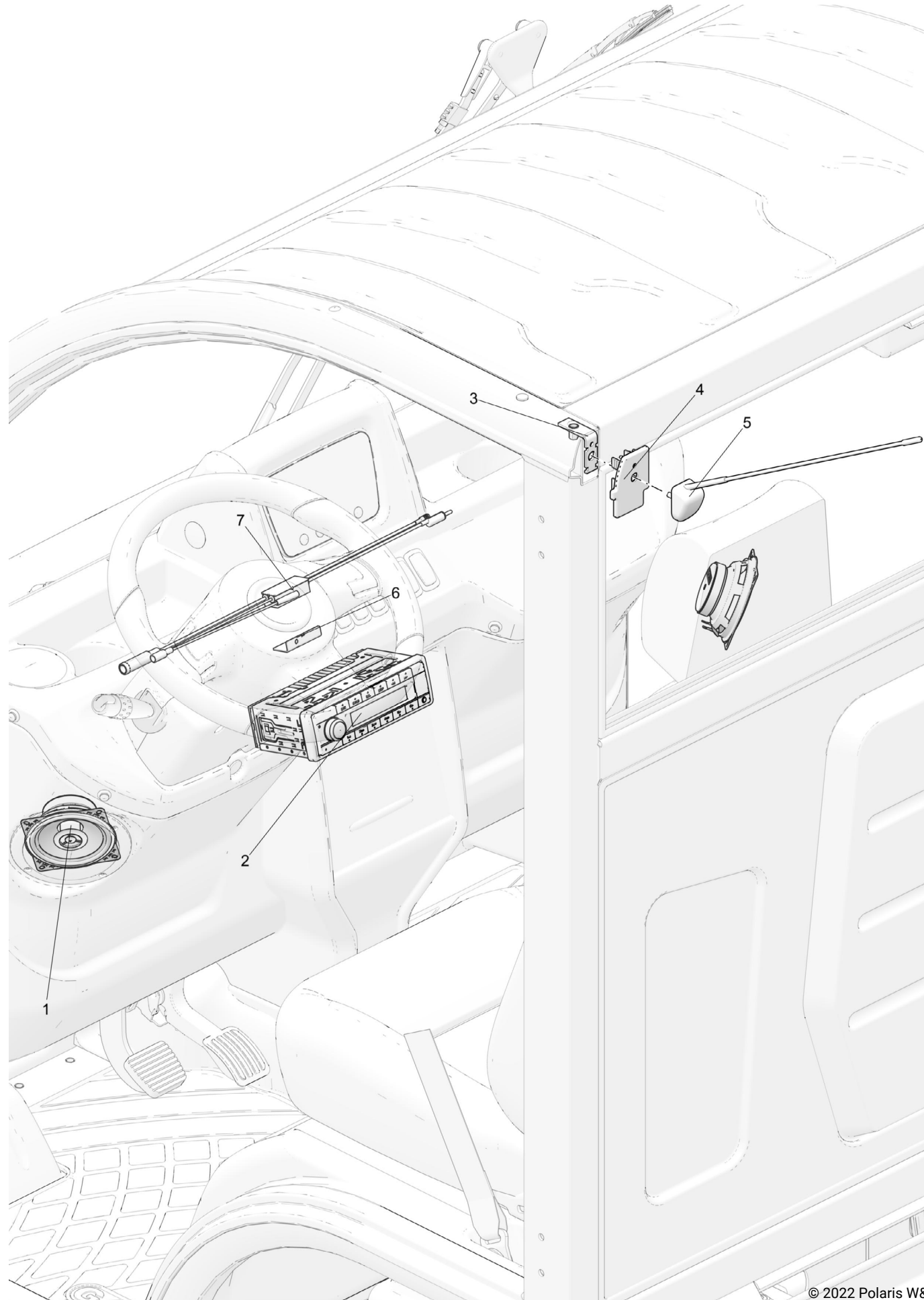
Applies to 7455001-09 [7305071]

Ref.	Part No.	Qty	Part Description	Notes
1	4200459	1	BOX	
2	2100422	1	BOOT HANDLE WITH KEY LOCKING	
3	2100745	1	BARREL + KEY	



OPTION, CAR RADIO MP3 / BLUETOOTH

Applies to 7455001-09 [7305019-05]



© 2022 Polaris W&T

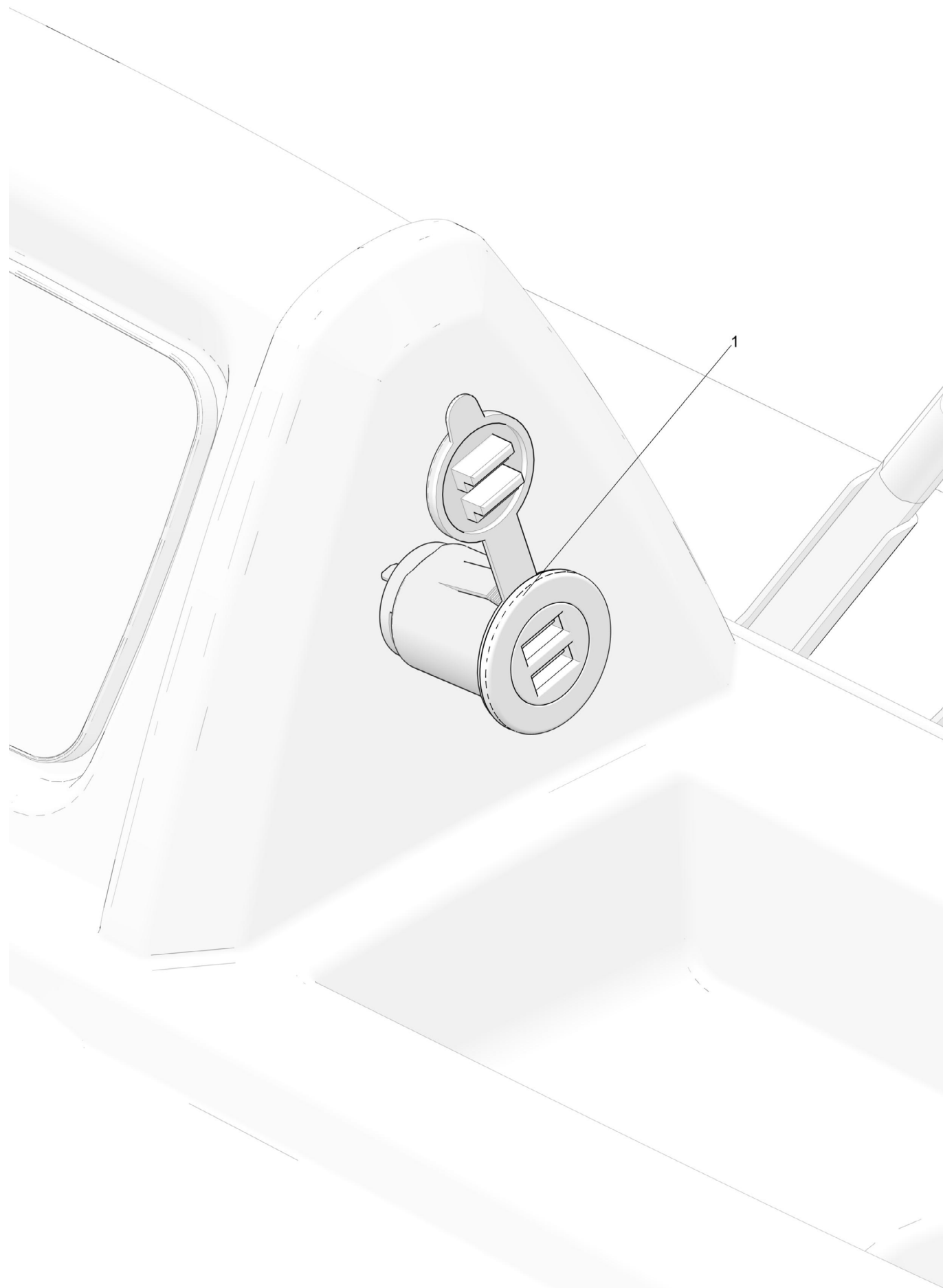
OPTION, CAR RADIO MP3 / BLUETOOTH

Applies to 7455001-09 [7305019-05]

Ref.	Part No.	Qty	Part Description	Notes
1	3450484	2	LOUDSPEAKER	
2	3450670	1	CAR RADIO	
3	6004337	1	RADIO ANTENNA BRACKET	
4	6207395	1	CAB PLUG	
5	3450518	1	AM/FM ANTENNA	
6	6113612	1	AMPLIFIER BRACKET	
7	3450671	1	AMPLIFIER	

*OPTION, USB PLUG*

**Applies to 7455001-09 [7305020-01]**



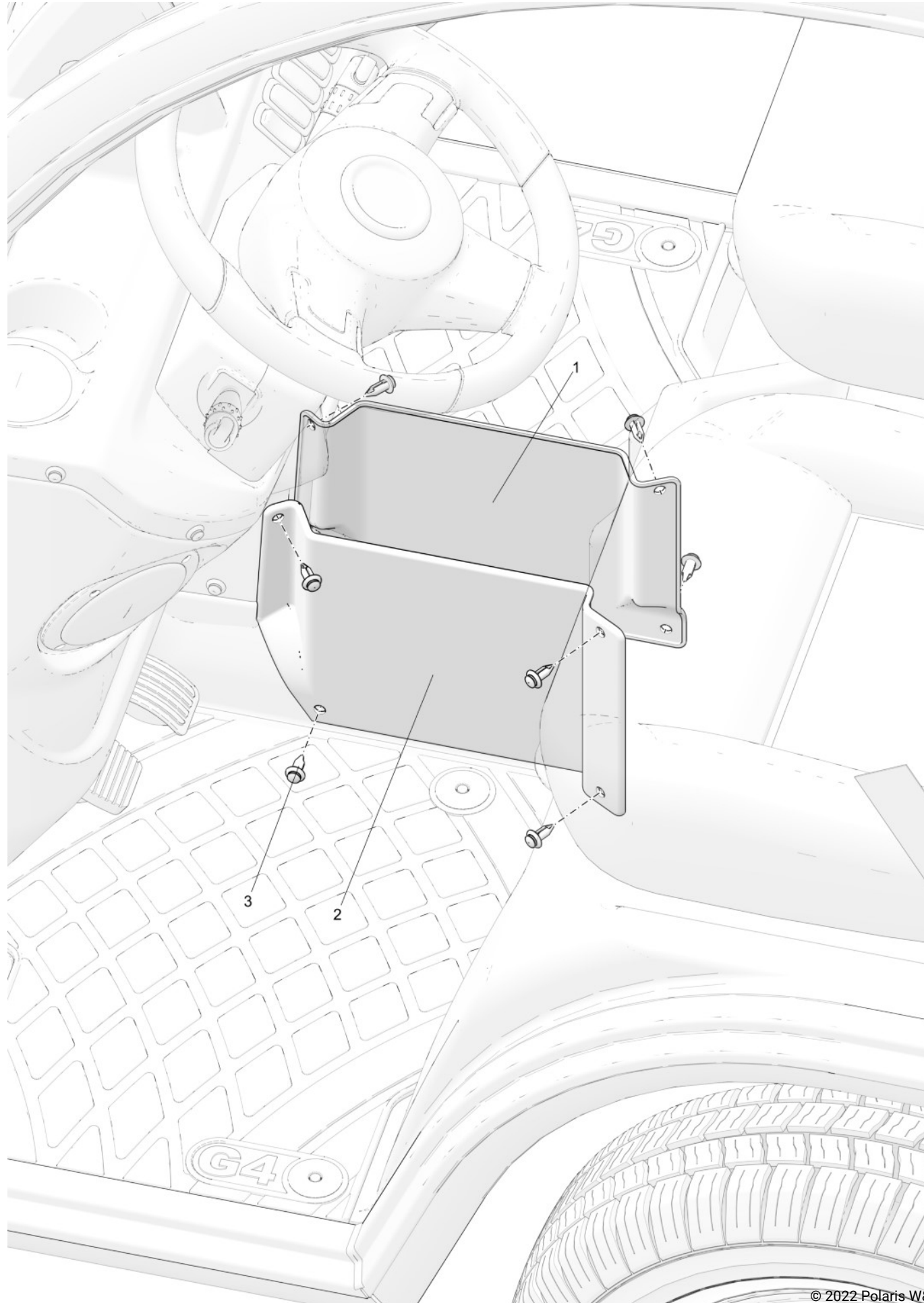
*OPTION, USB PLUG*

**Applies to 7455001-09 [7305020-01]**

Ref.	Part No.	Qty	Part Description	Notes
1	104015350	1	PORT-USB DUAL	

OPTION, CENTRAL BOX IN CAB

Applies to 7455001-09 [7305021]



© 2022 Polaris W&T

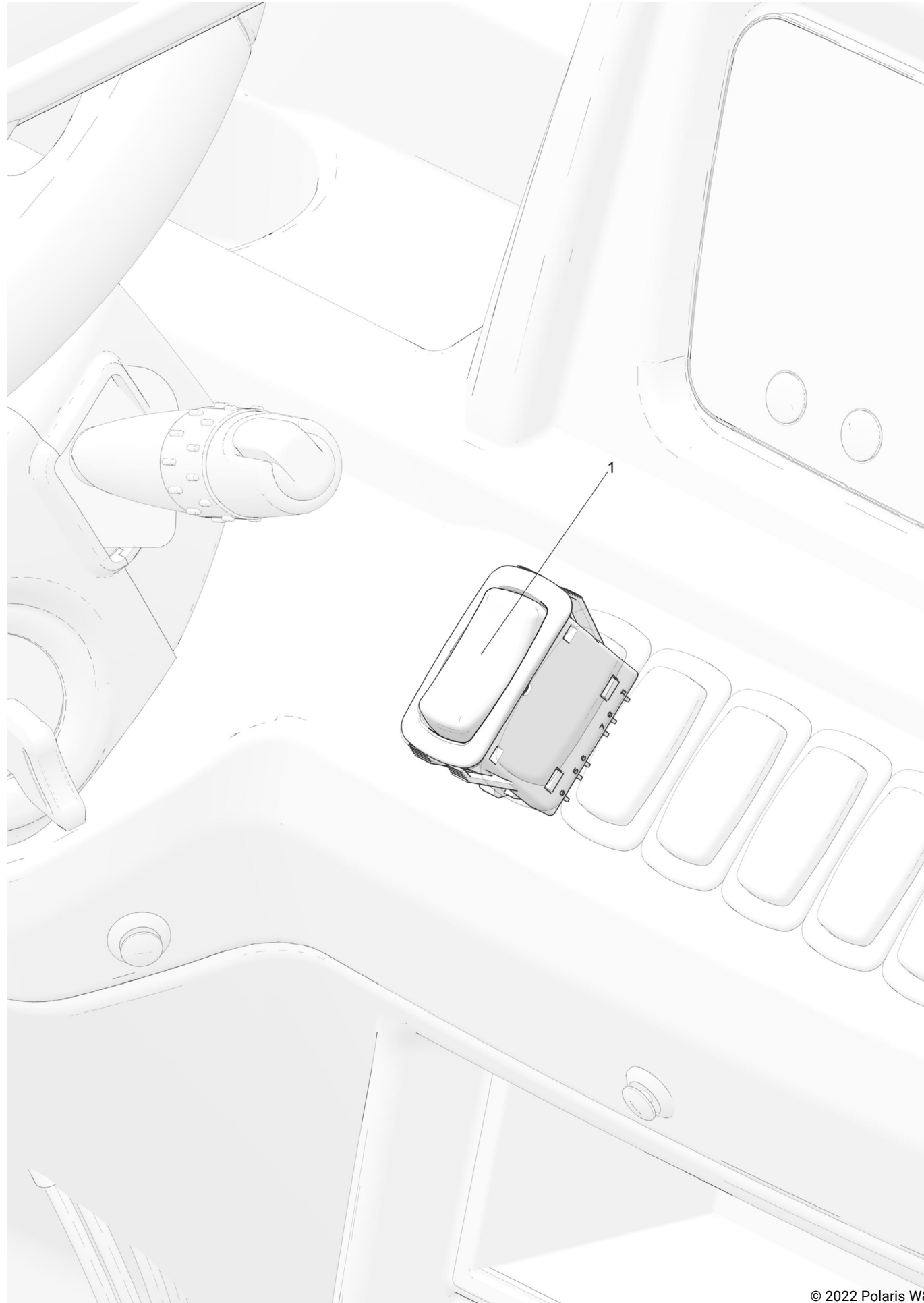
OPTION, CENTRAL BOX IN CAB

Applies to 7455001-09 [7305021]

Ref.	Part No.	Qty	Part Description	Notes
1	6200709	1	RIGHT PANNEL	
2	6200708	1	LEFT PANNEL	
3	107661855	8	PLASTIC RIVET	

*OPTION, REAR & FORWARD BUZZER*

**Applies to 7455001-09 [7305022-02]**



© 2022 Polaris W&T

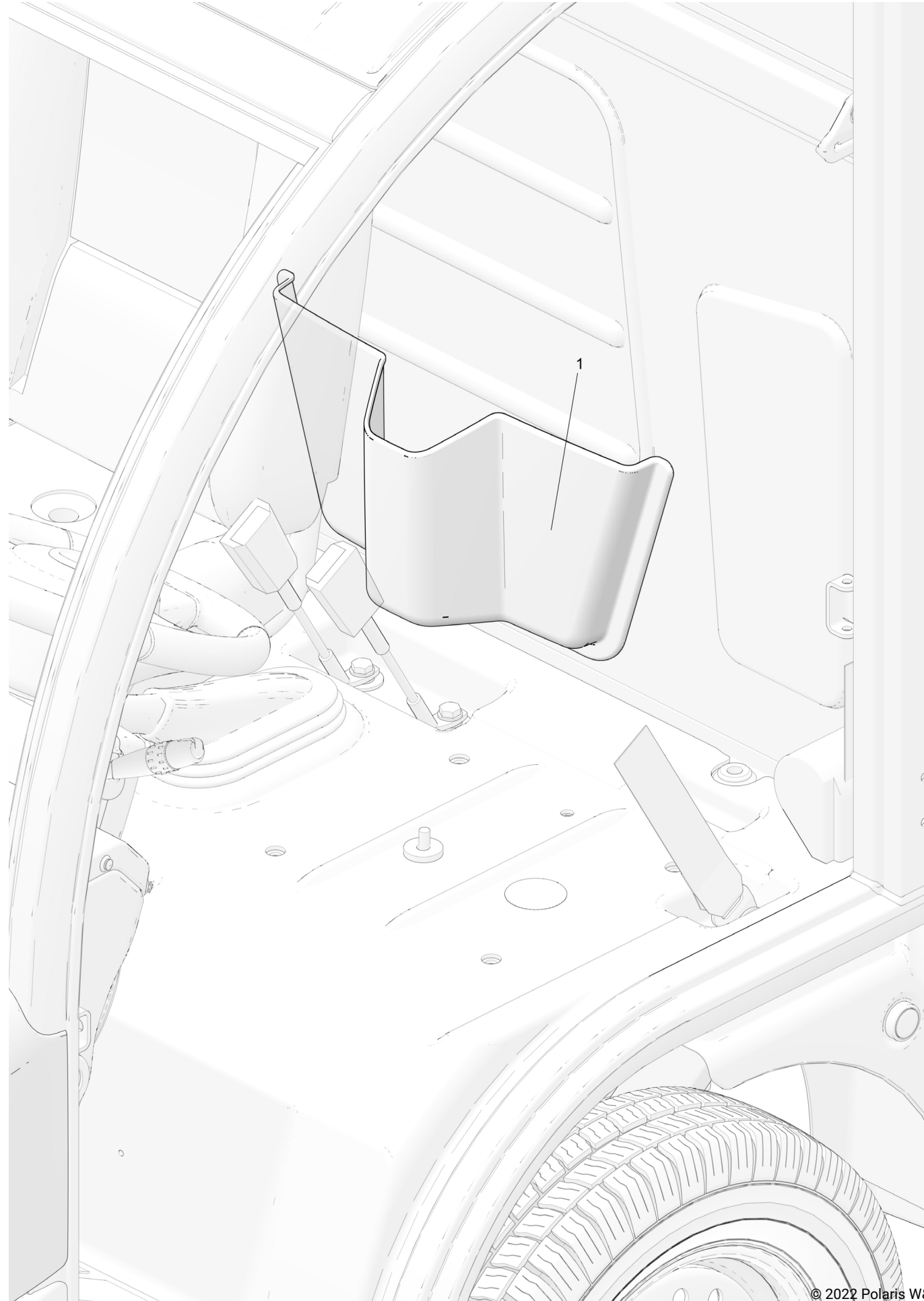
*OPTION, REAR & FORWARD BUZZER*

**Applies to 7455001-09 [7305022-02]**

Ref.	Part No.	Qty	Part Description	Notes
1	3450468	1	SWITCH	

OPTION, BOTTLE / DOCUMENTS HOLDER

Applies to 7455001-09 [7305023]



© 2022 Polaris W&T

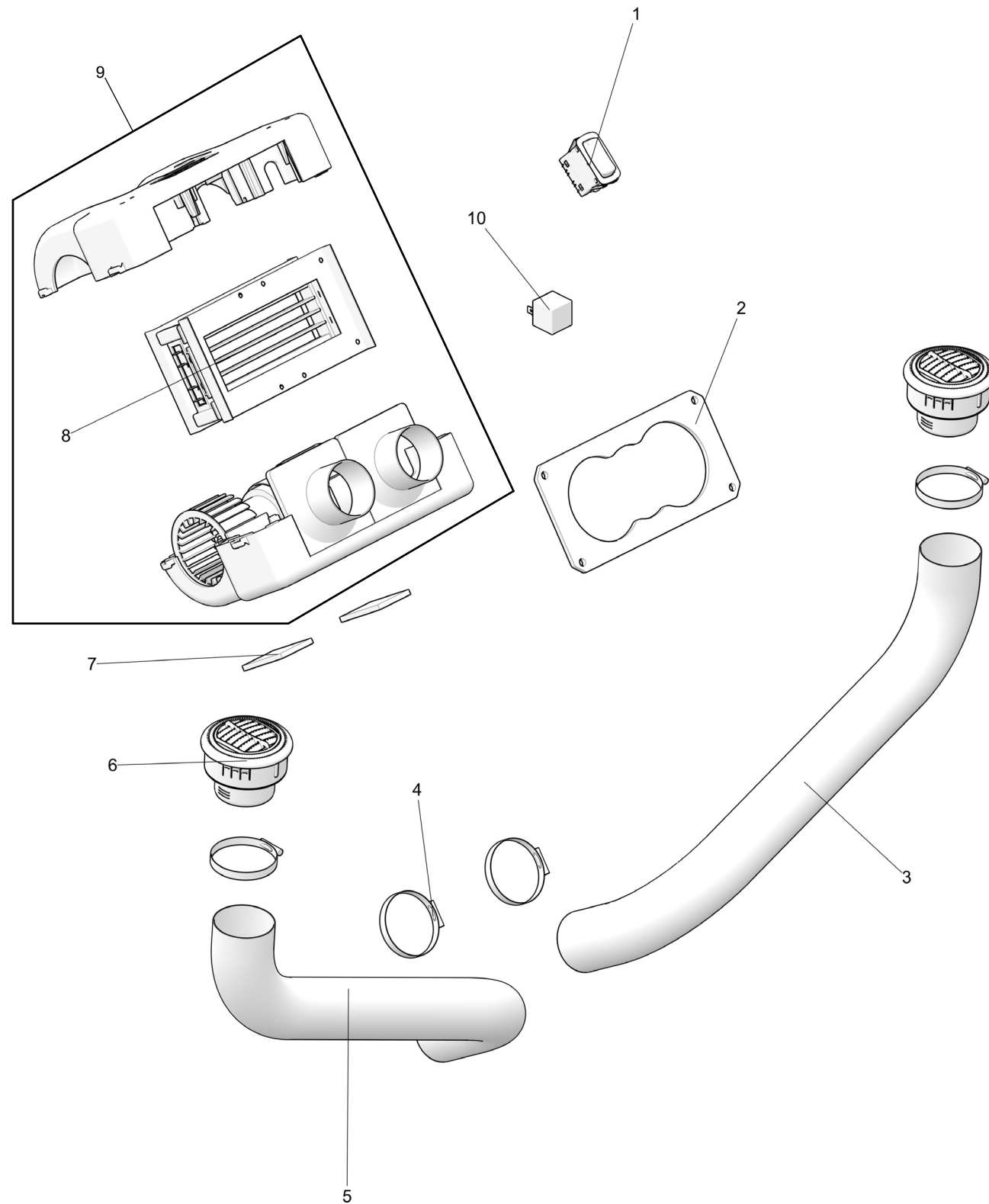
OPTION, BOTTLE / DOCUMENTS HOLDER

Applies to 7455001-09 [7305023]

Ref.	Part No.	Qty	Part Description	Notes
1	6207260	1	DOCUMENTS HOLDER	

OPTION, ELECTRIC HEATER

Applies to 7455001-09 [7305024-02]



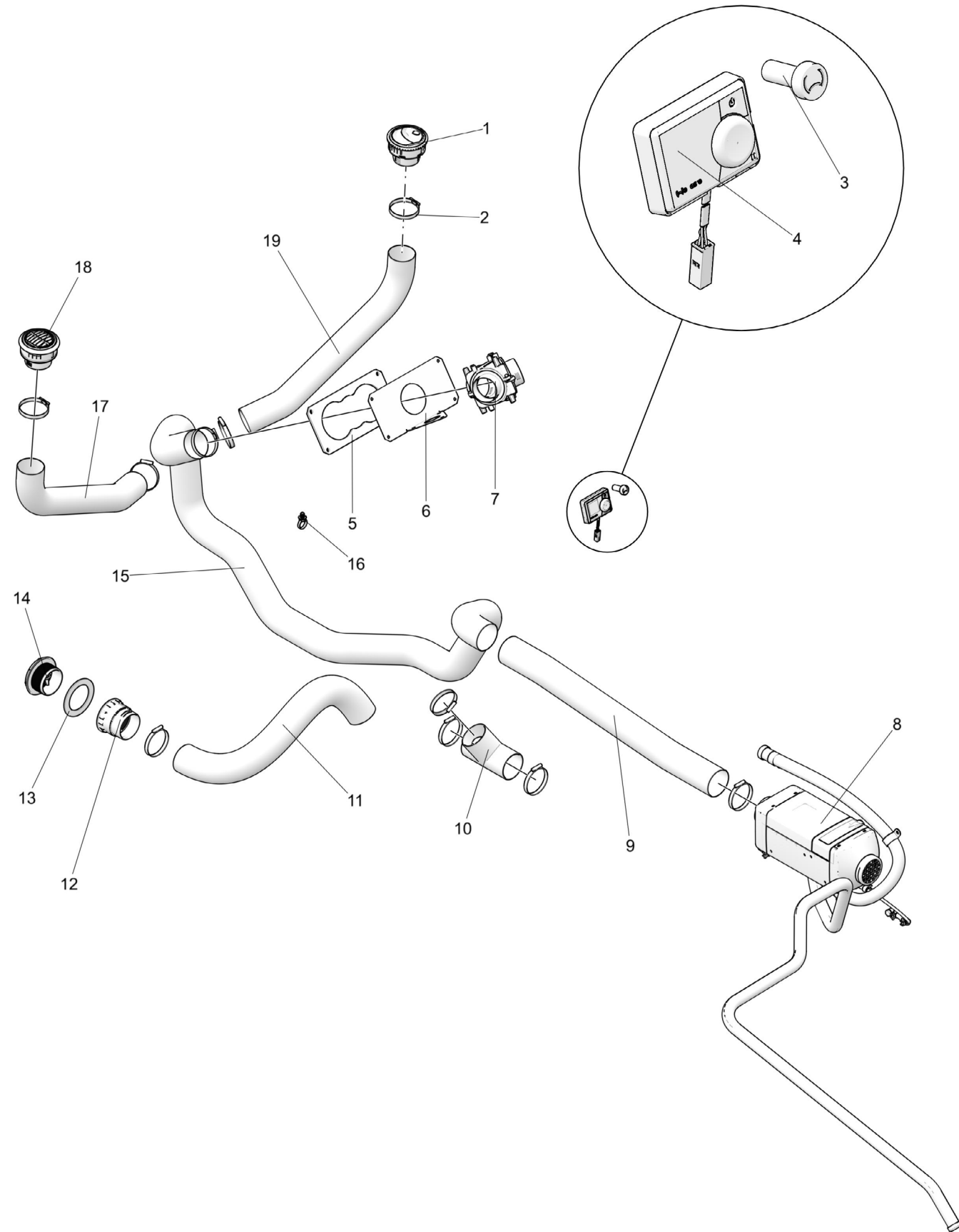
OPTION, ELECTRIC HEATER

Applies to 7455001-09 [7305024-02]

Ref.	Part No.	Qty	Part Description	Notes
1	3450466	1	SWITCH	
2	6207784	1	HEATING SEAL	
3	7001620	1	HEATING DUCT	
4	4150398	6	COLLAR	
5	7001620	1	HEATING DUCT	
6	4150780	2	AIR OUTLET Ø55	
7	4250204	0,12 ML	FOAM ADHESIVE SEAL	
8	2101167	1	HEATING RESISTOR	
9	3500285	1	ELECTRICAL HEATER 1200W	
10	3450436	1	RELAY	

OPTION, DIESEL HEATING SYSTEM

Applies to 7455001-09 [7305025-05]



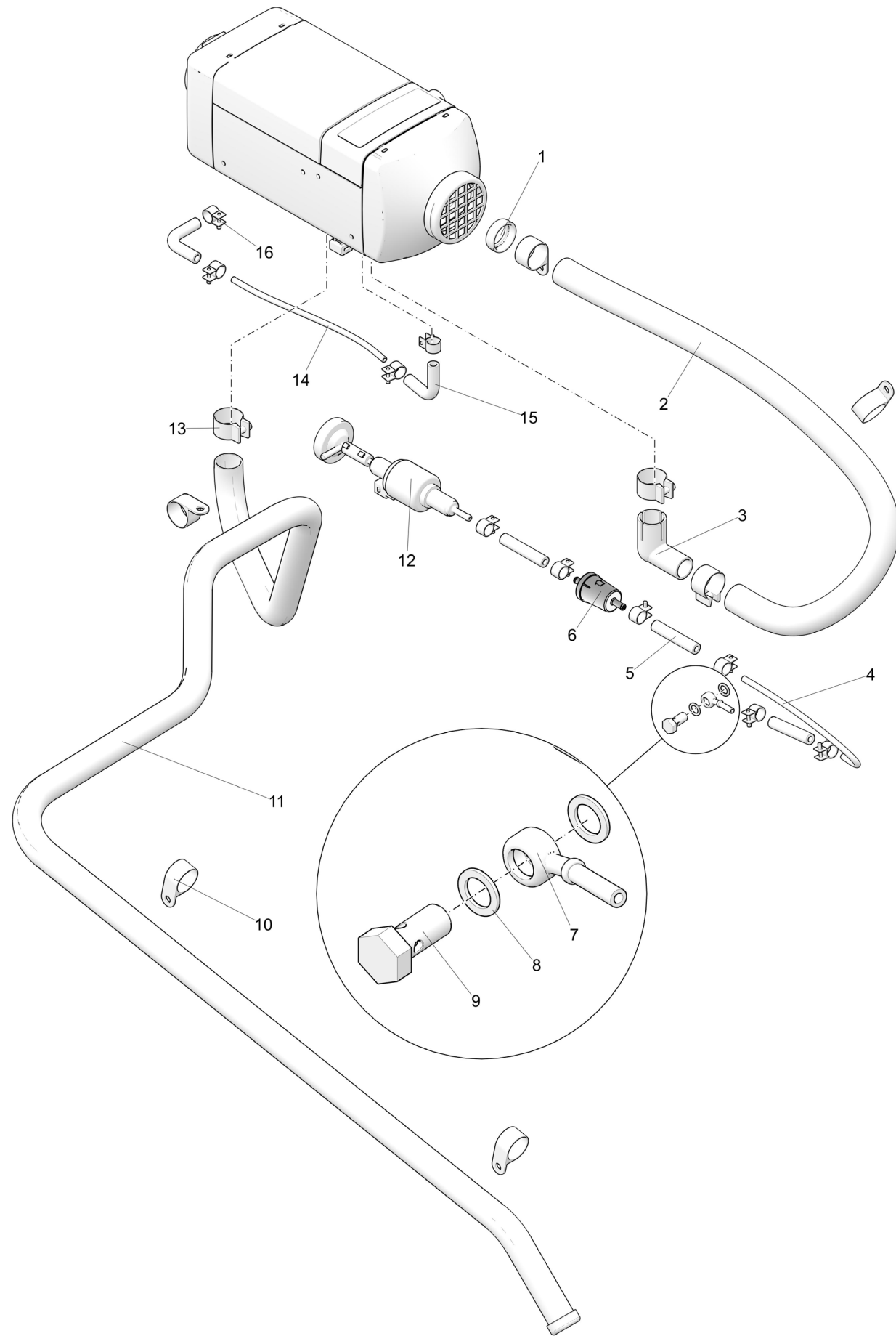
OPTION, DIESEL HEATING SYSTEM

Applies to 7455001-09 [7305025-05]

Ref.	Part No.	Qty	Part Description	Notes
1	4150580	1	AIR OUTLET	
2	4150398	9	COLLAR	
3	2100990	1	TEMPERATURE SENSOR	
4	7140440	1	SMART MODULE WEBASTO KIT	
5	6207301	1	HEATING SEAL	
6	6109868	1	HEATING PLATE BRACKET	
7	4150971	1	CONNECTION	
8	3500228	1	FUEL HEATER KIT	
9	2101021	1	HEATING PIPE	
10	2101022	1	CONNECTION	
11	2101023	1	HEATING PIPE	
12	4151099	1	THREADED SLEEVE	
13	6207653	1	SEAL	
14	4151098	1	AIR OUTLET	
15	2101024	1	HEATING PIPE	
16	3200045	1	CLIP	
17	2101017	1	HEATING PIPE	
18	4150972	1	AIR OUTLET	
19	2101017	1	HEATING PIPE	

OPTION, DIESEL HEATING SYSTEM

Applies to 7455001-09 [7305025-05]



OPTION, DIESEL HEATING SYSTEM

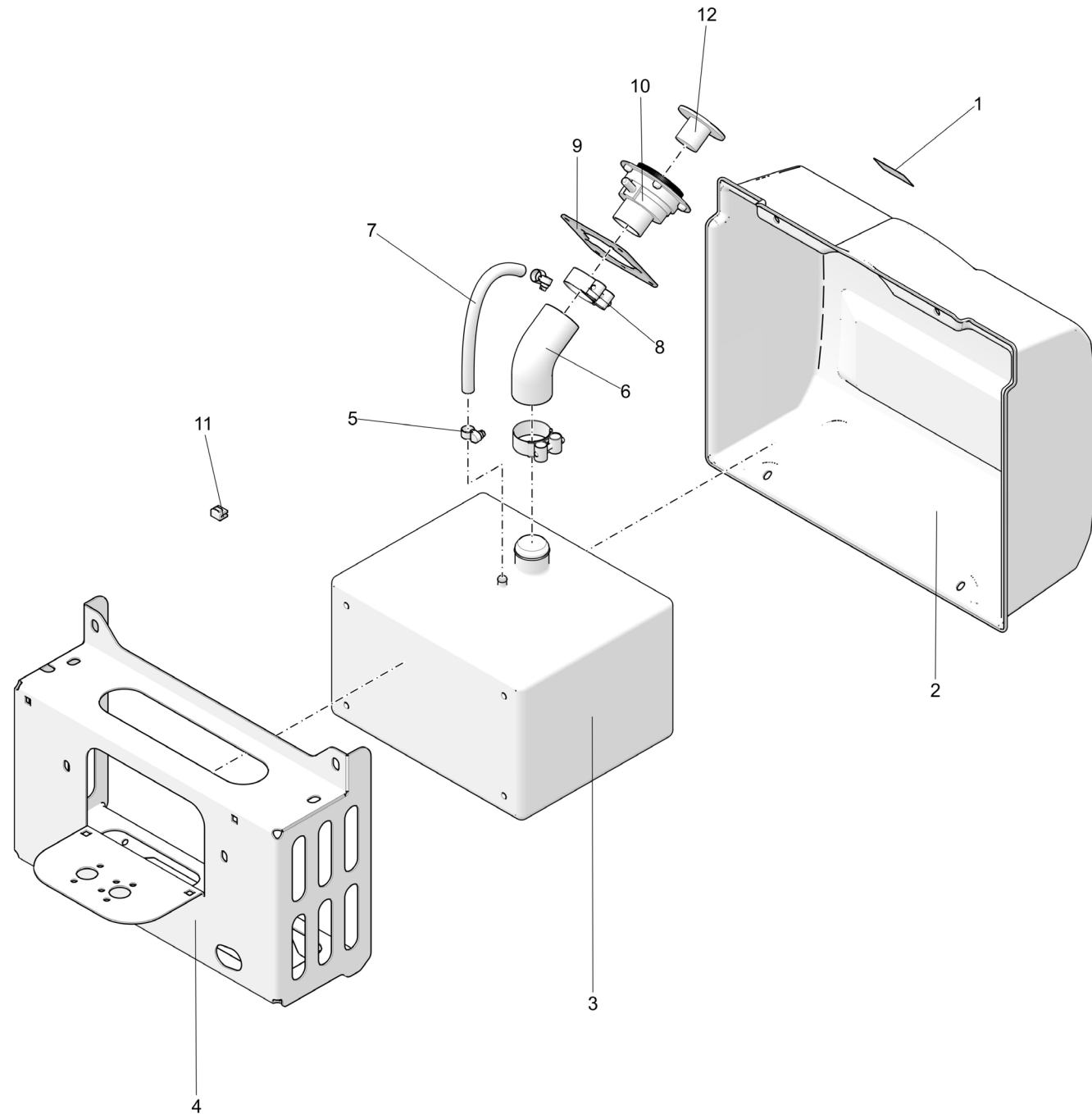
Applies to 7455001-09 [7305025-05]

Ref.	Part No.	Qty	Part Description	Notes
1	2101020	1	GRID VACUUM PIPE BOILER	
2	2100302	1	HOSE	
3	4150882	1	WEBASTO ADMISSION 90° ELBOW	
4	2101018	1	DIESEL HOSE	
5	4000287	3	SLEEVE	
6	4000276	1	WEBASTO FUEL FILTER	
7	4000470	1	BANJO UNION	
8	4000438	2	COPPER SEAL	
9	4000436	1	HOLLOW SCREW	
10	4150815	4	COLLAR	
11	7001944	1	EXHAUST PIPE	
12	2100668	1	PUMP KIT	
13	4150400	3	COLLAR	
14	2101018	1	DIESEL HOSE	
15	4150526	2	90° DIESEL SLEEVE	
16	4150439	10	COLLAR	



*OPTION, DIESEL HEATING SYSTEM*

**Applies to 7455001-09 [7305025-05]**



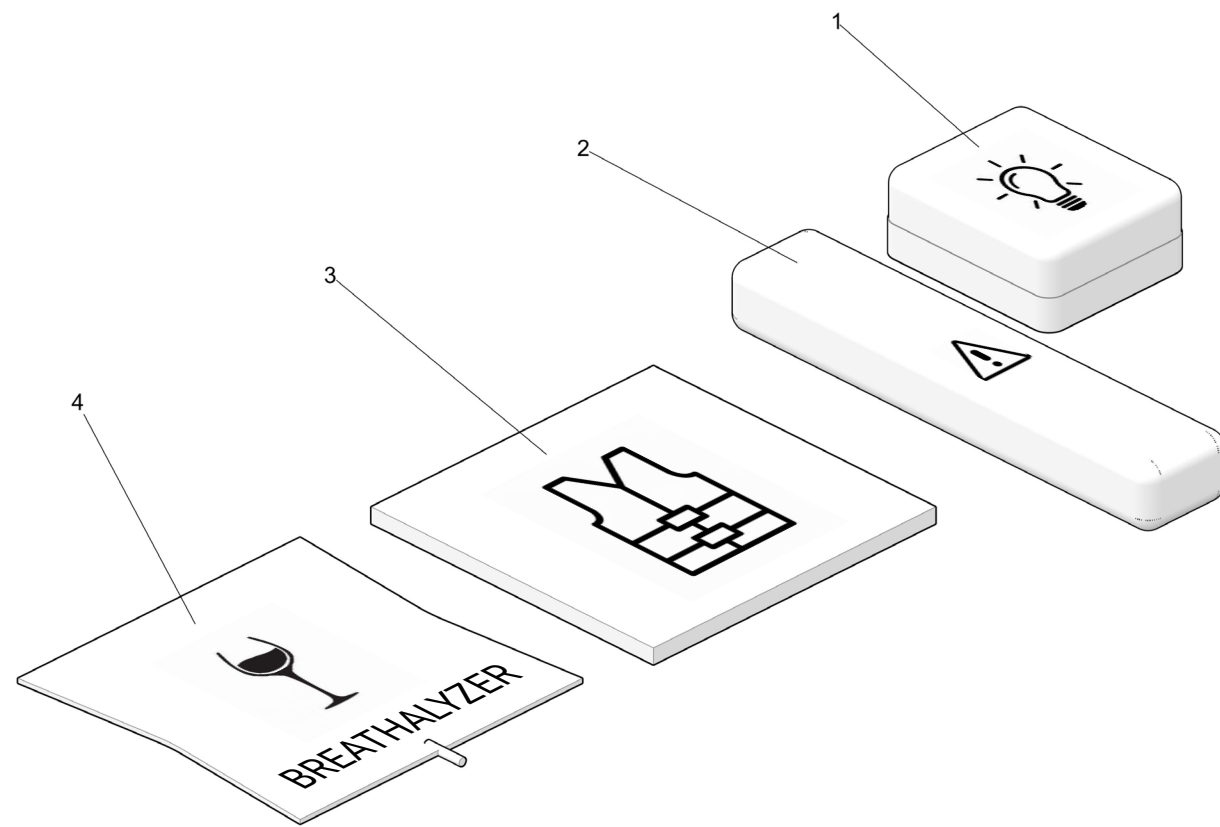
*OPTION, DIESEL HEATING SYSTEM*

**Applies to 7455001-09 [7305025-05]**

Ref.	Part No.	Qty	Part Description	Notes
1	6500512	1	FUEL STICKER	
2	6207283	1	FRONT LATERAL COVER	
3	6107179	1	TANK	
4	6109840	1	TANK BRACKET	
5	4150318	2	COLLAR	
6	6207302	1	DIESEL HOSE	
7	7001488	1	FUEL HOSE	
8	4000290	2	TRUNNION COLLAR STEEL	
9	6109841	1	PLUG HEATER BRACKET	
10	4150832	1	TANK PLUG BASE	WITHOUT THE PLUG
10	4150987	1	TANK BASE AND PLUG WITHOUT KEY	
11	3450363	1	CLIP	
12	4150830	1	TANK CAP WITH KEY	

OPTION, SECURITY KIT

Applies to 7455001-09 [7305026]



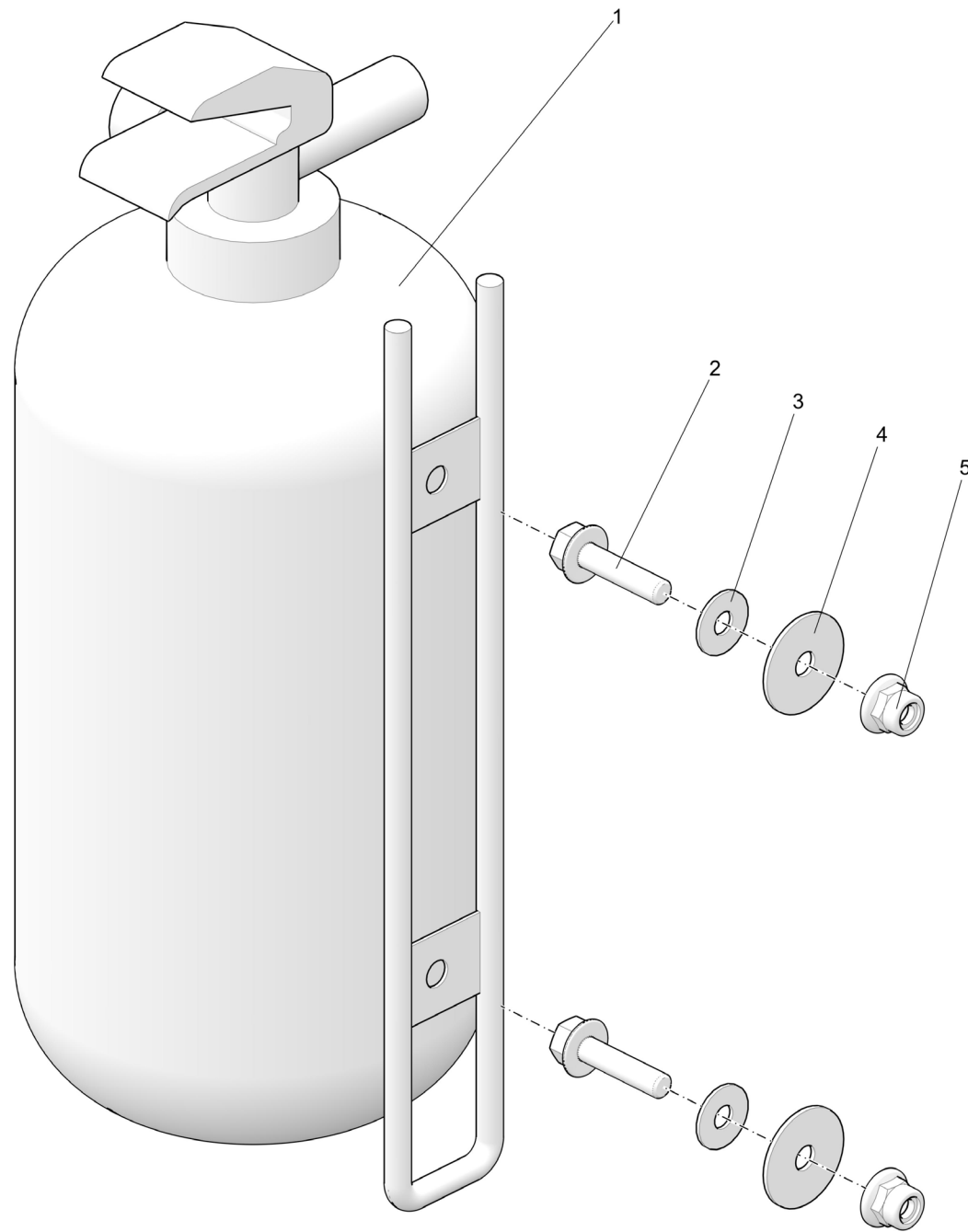
OPTION, SECURITY KIT

Applies to 7455001-09 [7305026]

Ref.	Part No.	Qty	Part Description	Notes
1	3550043	1	SPARE BULBS	
2	4200317	1	WARNING TRIANGLE	
3	4200318	1	YELLOW GILET	
4	4250159	1	BREATHALYZER	

OPTION, POWDER EXTINGUISHER

Applies to 7455001-09 [7305028-02]



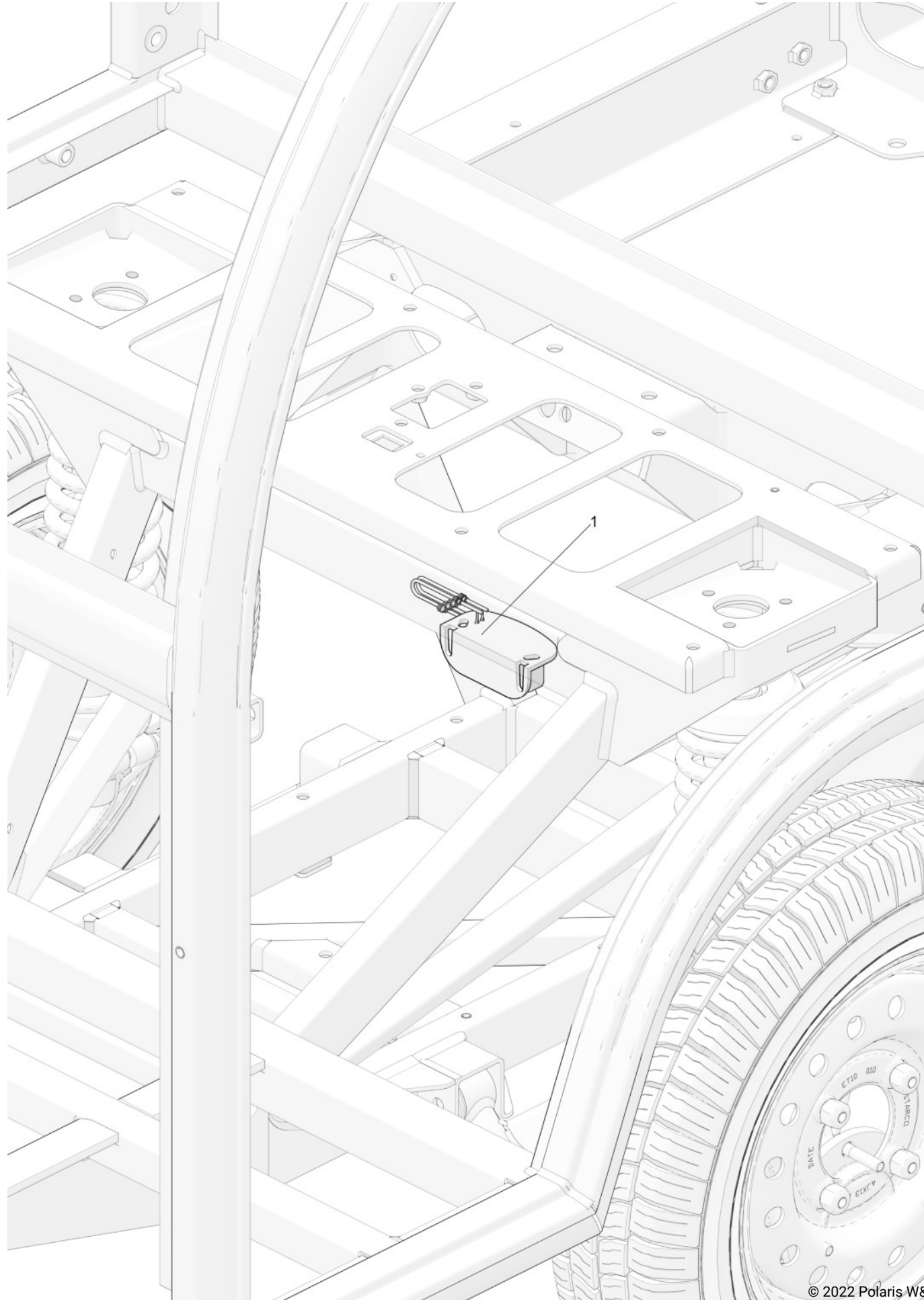
OPTION, POWDER EXTINGUISHER

Applies to 7455001-09 [7305028-02]

Ref.	Part No.	Qty	Part Description	Notes
1	4150348	1	EXTINGUISHER	
2	5100173	2	SCREW	
3	5300098	2	NITRILE WASHER	
4	5300036	2	WASHER	
5	5150016	2	THREAD LOCK	

*OPTION, REVERSE BUZZER*

**Applies to 7455001-09 [7305033]**



© 2022 Polaris W&T

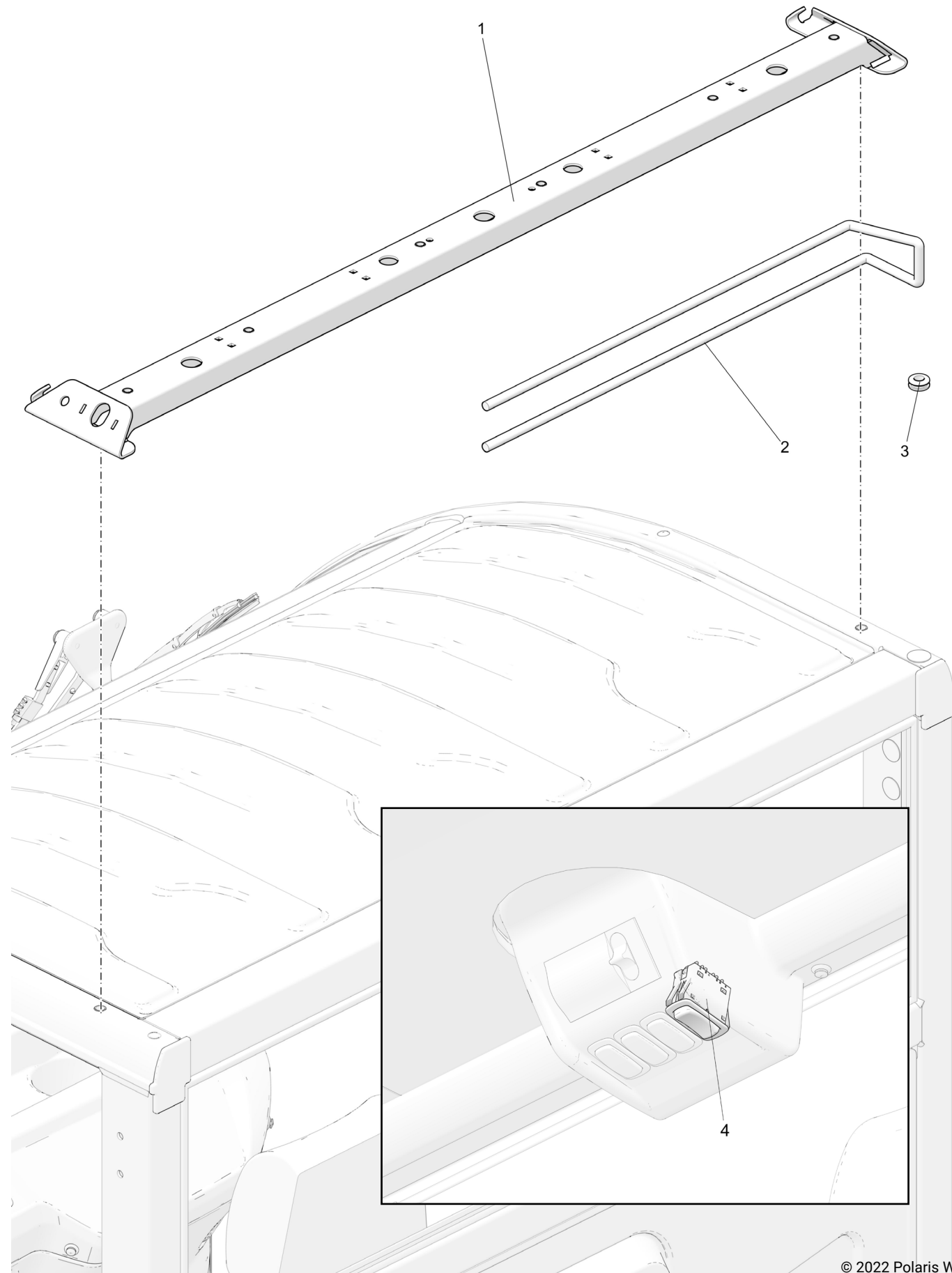
*OPTION, REVERSE BUZZER*

**Applies to 7455001-09 [7305033]**

Ref.	Part No.	Qty	Part Description	Notes
1	6200718	1	REVERSE BUZZER	

OPTION, ROOF BAR / ELECTRIC HARNESS

Applies to 7455001-09 [7305034-02]



© 2022 Polaris W&T

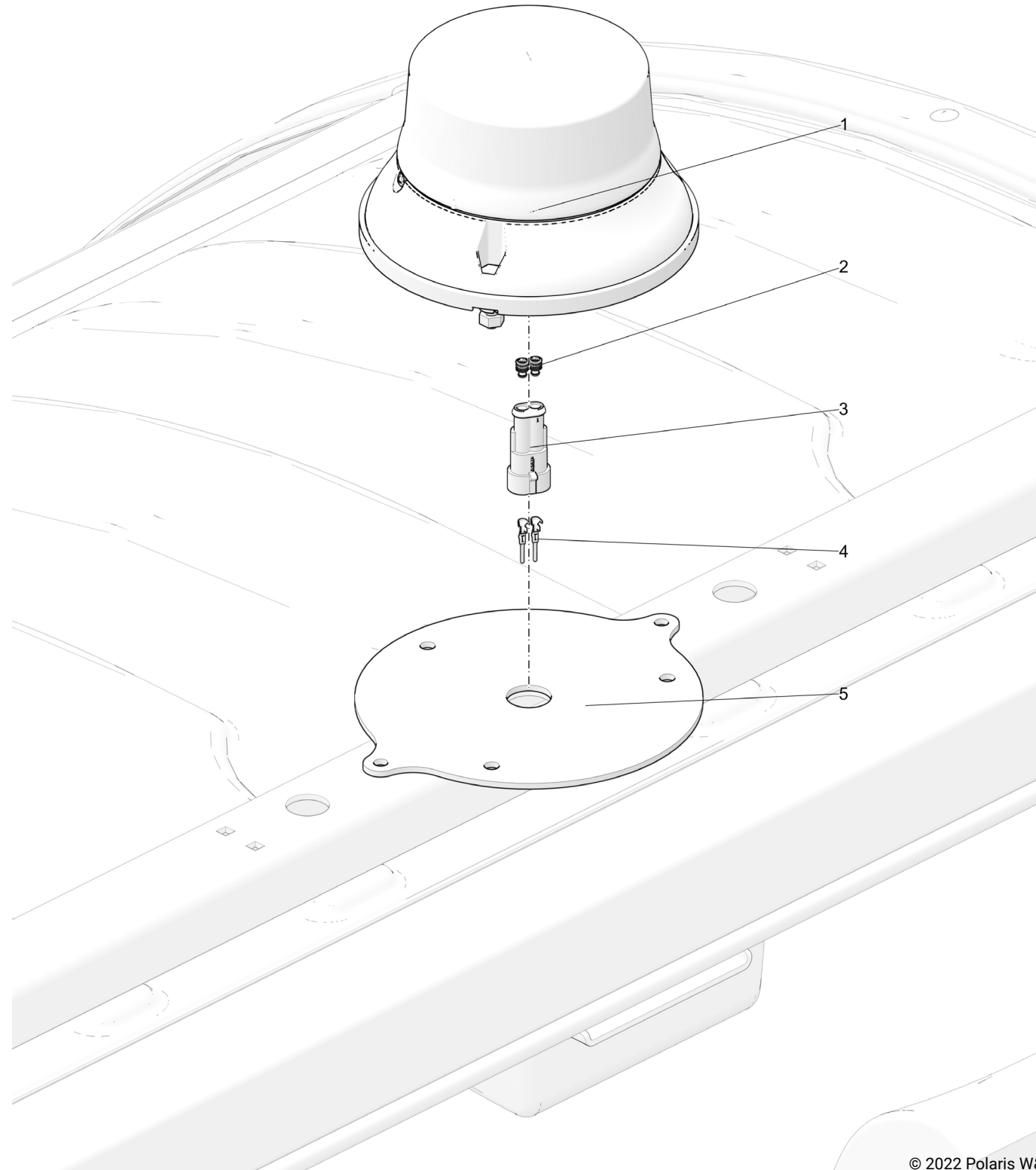
OPTION, ROOF BAR / ELECTRIC HARNESS

Applies to 7455001-09 [7305034-02]

Ref.	Part No.	Qty	Part Description	Notes
1	6004073	1	ROOF BAR	
2	6200297	1	HARNESS	
3	4250007	1	CABLE GLAND	
4	3450463	1	BEACON AND TRIANGLE LIGHT SWITCH	

OPTION, FLASHING LIGHT

Applies to 7455001-09 [7305035-02]



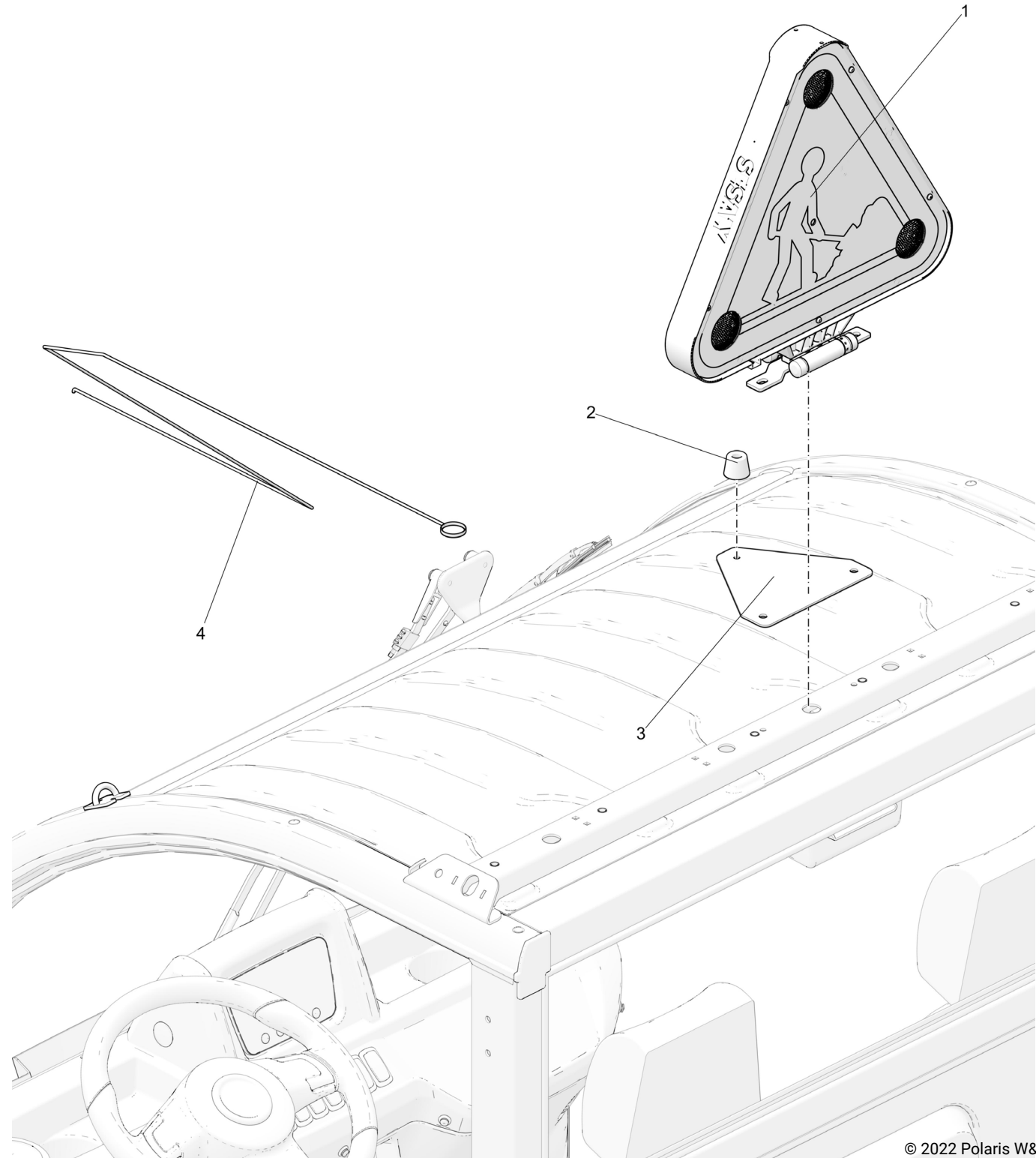
OPTION, FLASHING LIGHT

Applies to 7455001-09 [7305035-02]

Ref.	Part No.	Qty	Part Description	Notes
1	6200723	1	FLASHING BEACON	
2	3350141	2	SEAL	
3	3350125	1	HOUSING	
4	3300119	2	TERMINAL	
5	6109833	1	SUPPORT PLATE	

OPTION, MEN AT WORK TRIANGLE (AK5)

Applies to 7455001-09 [7305036-03]



© 2022 Polaris W&T

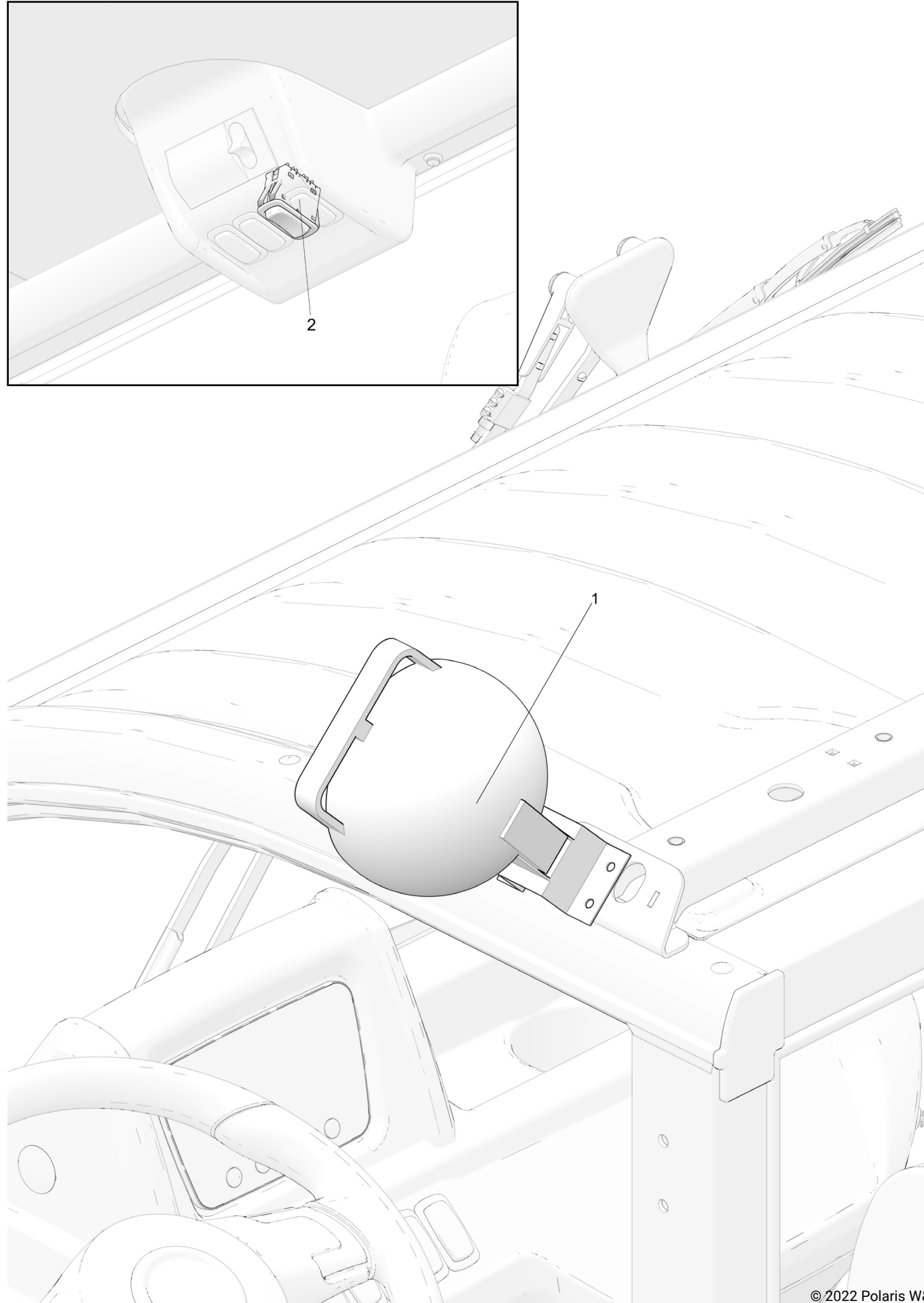
OPTION, MEN AT WORK TRIANGLE (AK5)

Applies to 7455001-09 [7305036-03]

Ref.	Part No.	Qty	Part Description	Notes
1	7102163-01	1	MEN AT WORK TRIANGLE WITH LEDS	
2	4150614	1	ELASTOMER BASE	
3	6111209	1	SUPPORT	
4	7140661	1	G4 FOLD BACK KIT	

*OPTION, LED WORKING LIGHT*

**Applies to 7455001-09 [7305037-01]**



© 2022 Polaris W&T

*OPTION, LED WORKING LIGHT*

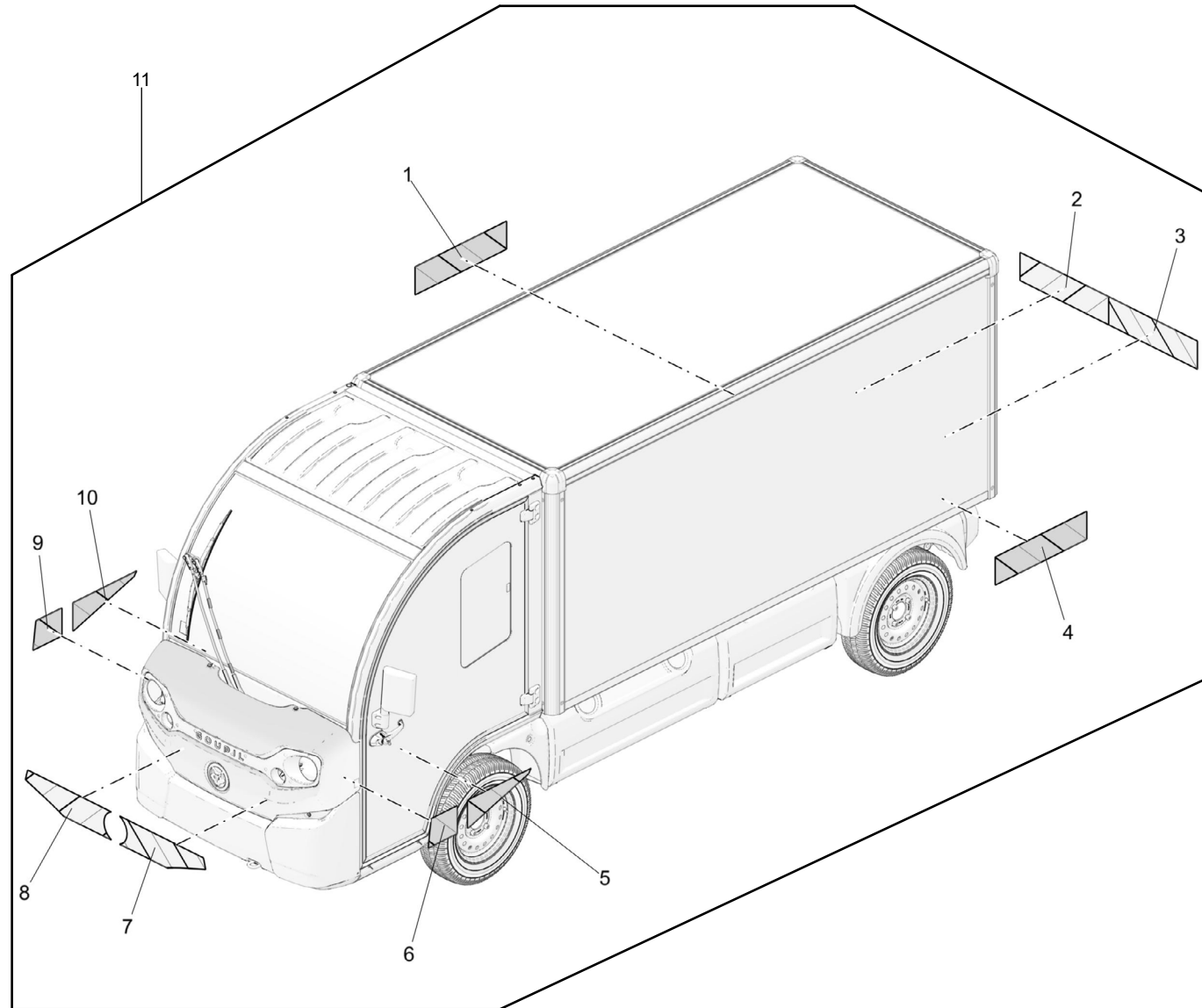
**Applies to 7455001-09 [7305037-01]**

Ref.	Part No.	Qty	Part Description	Notes
1	3550099	1	WORK LIGHT	
2	3450472	1	SWITCH FOR FRONT LAMP	



OPTION, CLASS 2 REFLECTIVE BANDS

Applies to 7455001-09 [7305038-02]



\* Illustrated on G4L vehicle. The sticker also applies to G4M vehicle.

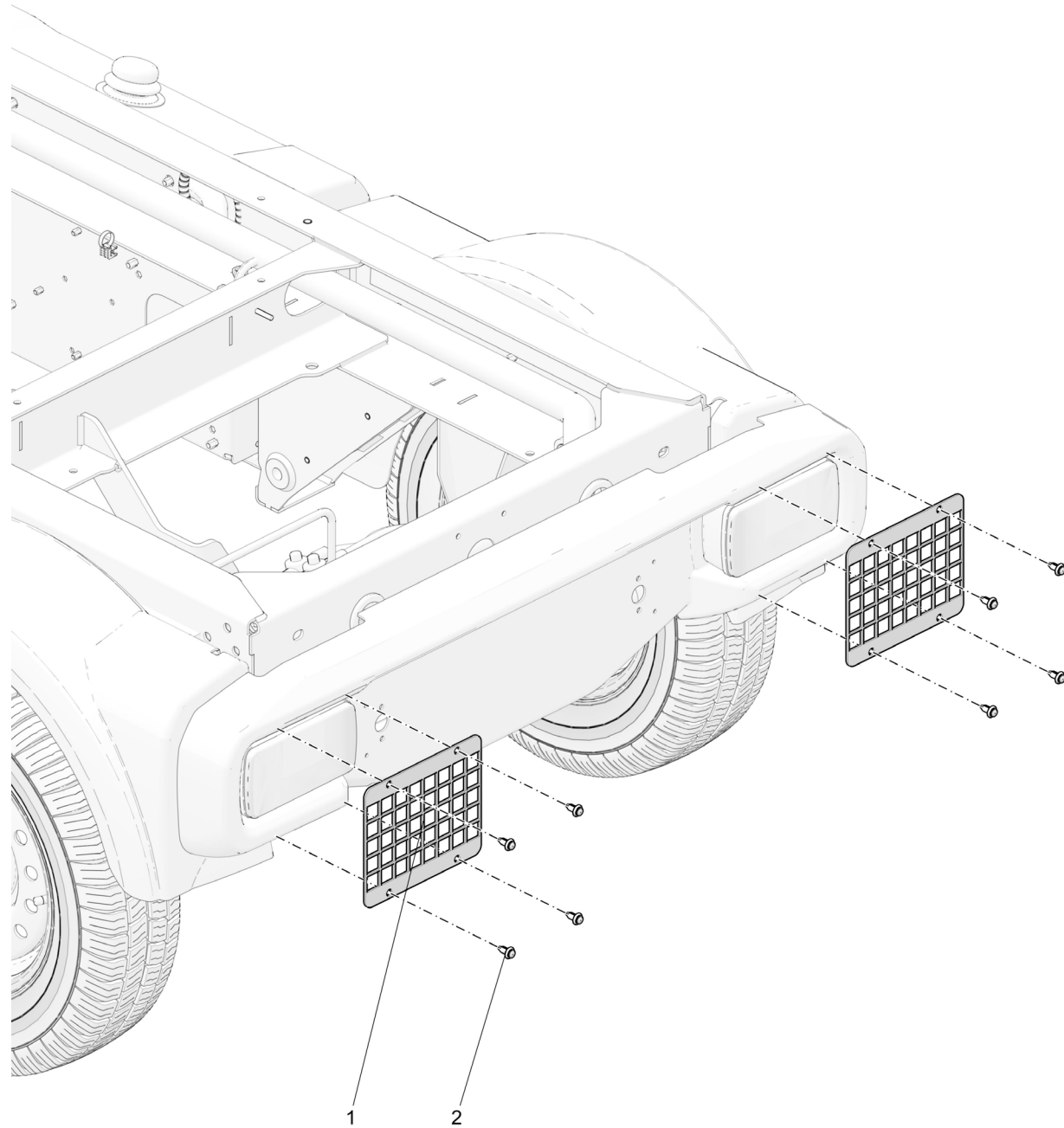
OPTION, CLASS 2 REFLECTIVE BANDS

Applies to 7455001-09 [7305038-02]

Ref.	Part No.	Qty	Part Description	Notes
1	6500498	1	LATERAL RH STICKER	
2	6500501	1	RH REAR STICKER	
3	6500500	1	LH REAR STICKER	
4	6500499	1	LATERAL LH STICKER	
5	6500503	1	LH DOOR STICKER	
6	6500516	1	LH FRONT STICKER	
7	6500734	1	LH FRONT GRILL STICKER	
8	6500733	1	RH FRONT GRILL STICKER	
9	6500515	1	RH FRONT STICKER	
10	6500502	1	RH DOOR STICKER	
11	6500713	1	STICKER KIT	

*OPTION, REAR LIGHTS PROTECTIVE GRILL*

**Applies to 7455001-09 [7305044-01]**



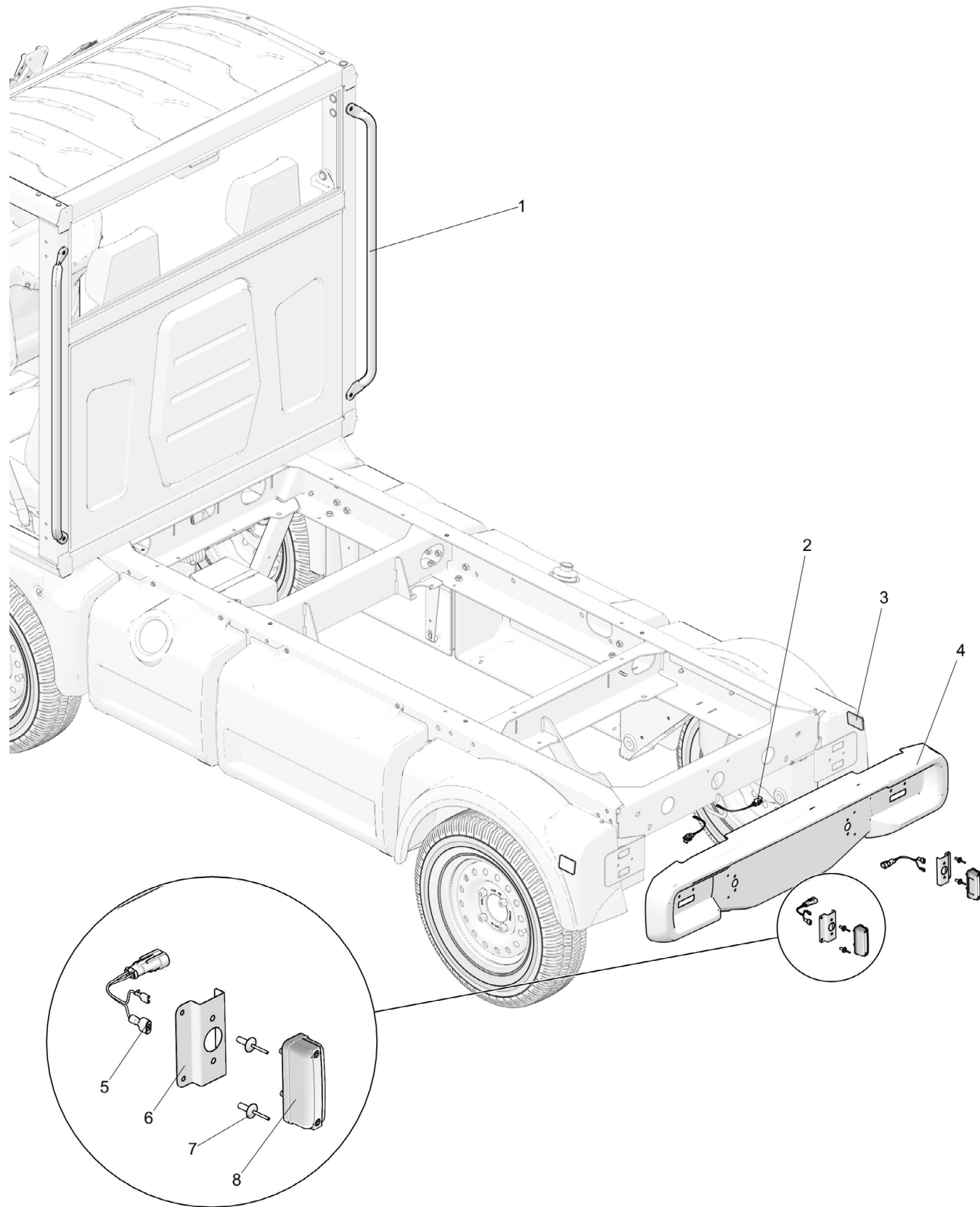
*OPTION, REAR LIGHTS PROTECTIVE GRILL*

**Applies to 7455001-09 [7305044-01]**

Ref.	Part No.	Qty	Part Description	Notes
1	6110119	2	REAR LIGHTS PROTECTIVE GRILL	
2	107661855	8	PLASTIC RIVET	

OPTION, TYPE APPROVAL KIT L7E CU

Applies to 7455001-09 [7305045-06]



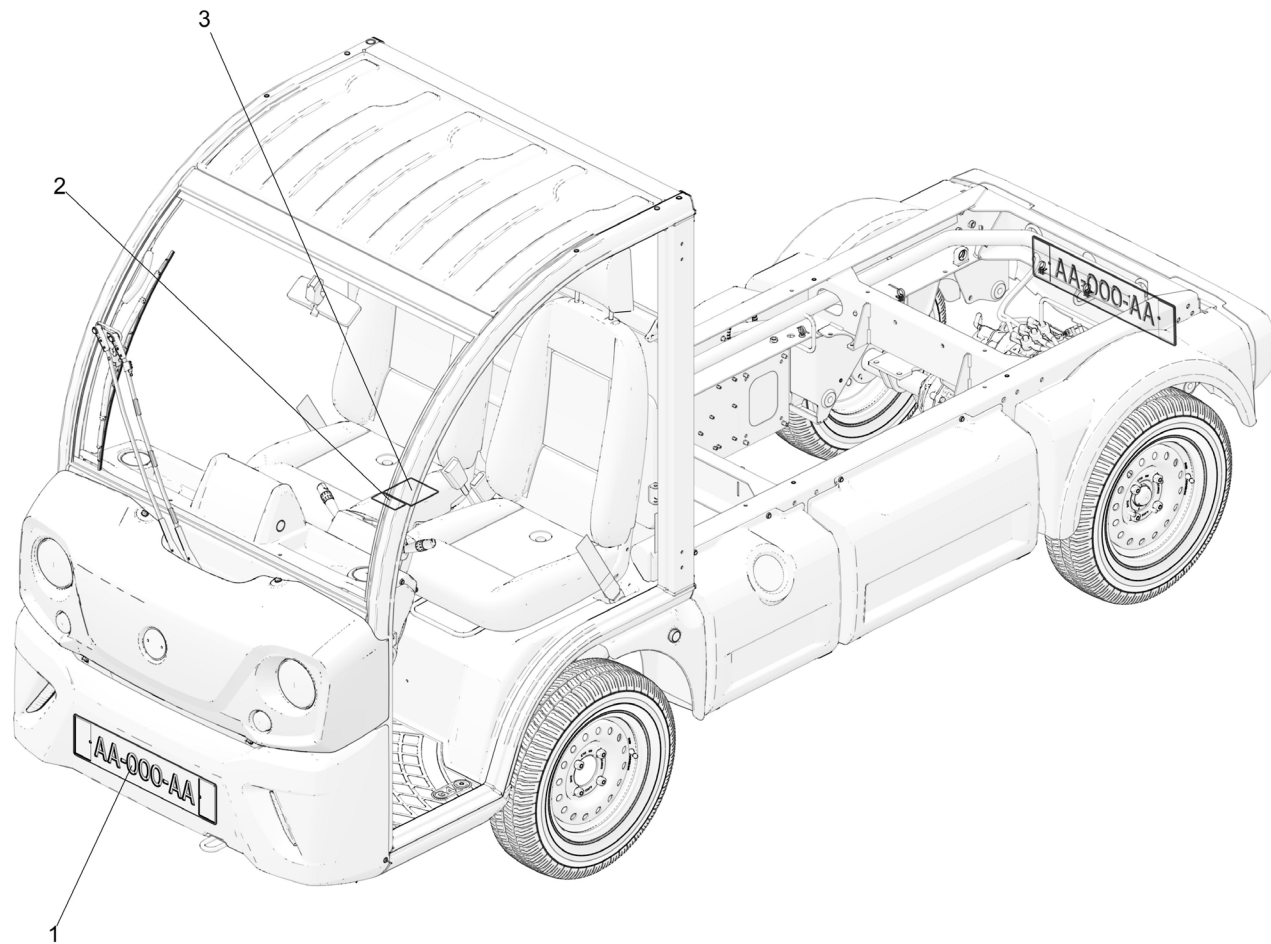
OPTION, TYPE APPROVAL KIT L7E CU

Applies to 7455001-09 [7305045-06]

Ref.	Part No.	Qty	Part Description	Notes
1	6004352	2	CAB REAR TUBE	
2	6207786	2	LICENCE PLATE HARNESS	
3	3550131	2	RED REFLECTOR	
4	6207729	1	REAR BUMPER	
5	6200720	1	LICENCE PLATE HARNESS	
6	6109918	1	SUPPORT	
7	5400019	1	RIVET	
8	3550132	1	LIGHT OF PLATE	

OPTION, TYPE APPROVAL KIT N1 KS

Applies to 7455001-09 [7305046-08]



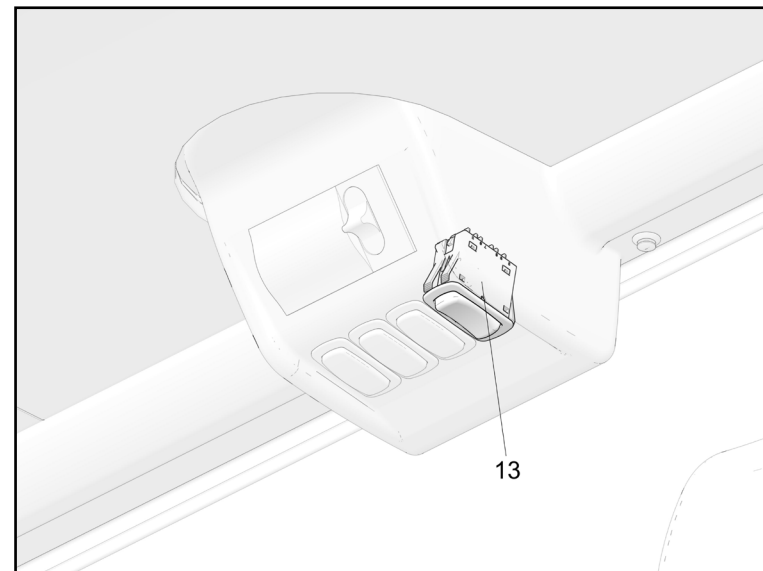
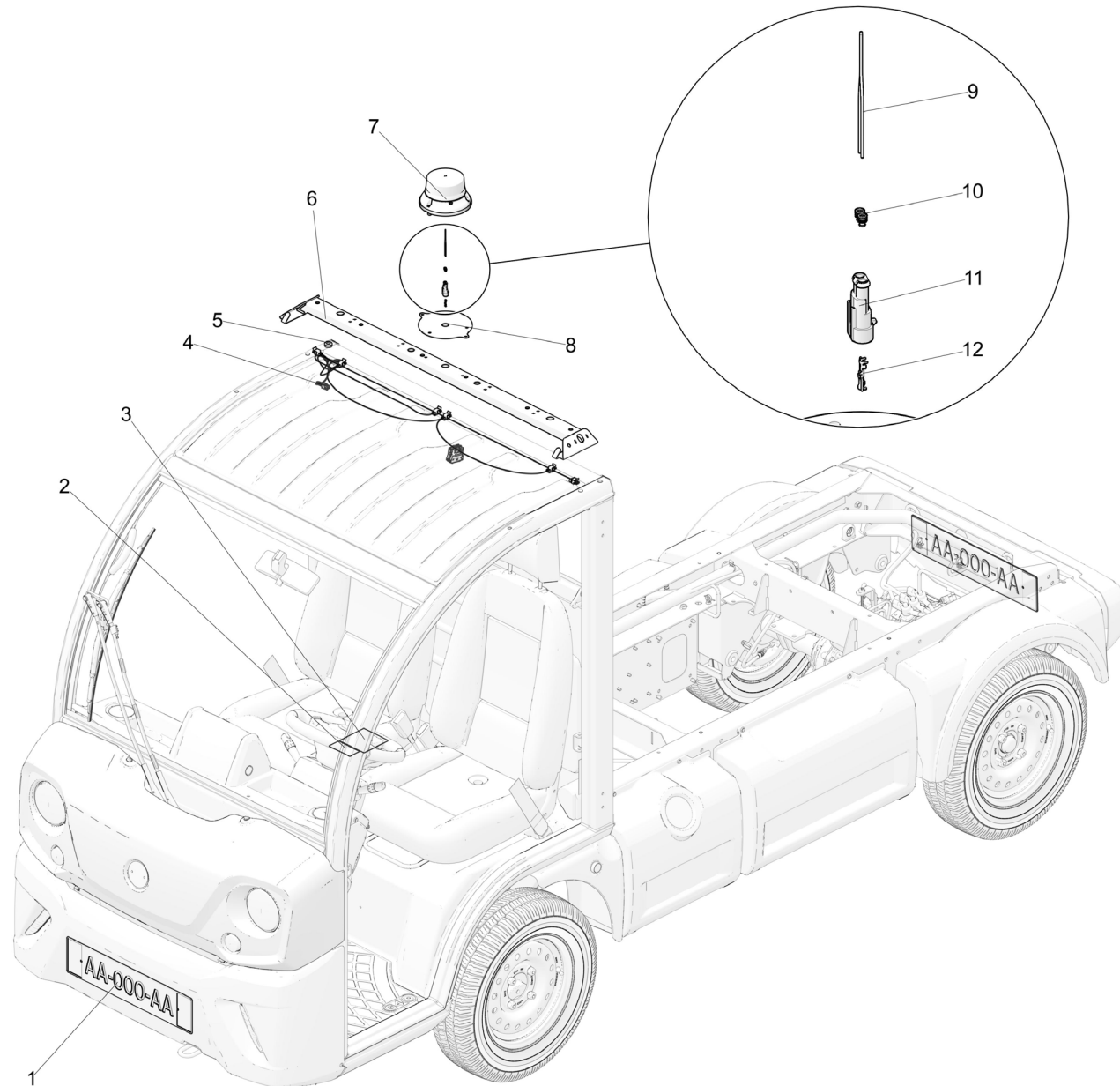
OPTION, TYPE APPROVAL KIT N1 KS

Applies to 7455001-09 [7305046-08]

Ref.	Part No.	Qty	Part Description	Notes
1	4210047	2	NUMBER PLATE DPT 47	
2	6500529	1	STICKER	
3	1760014	1	VEHICLE PLATE	

OPTION, TYPE APPROVAL KIT VASP

Applies to 7455001-09 [7305048-05]



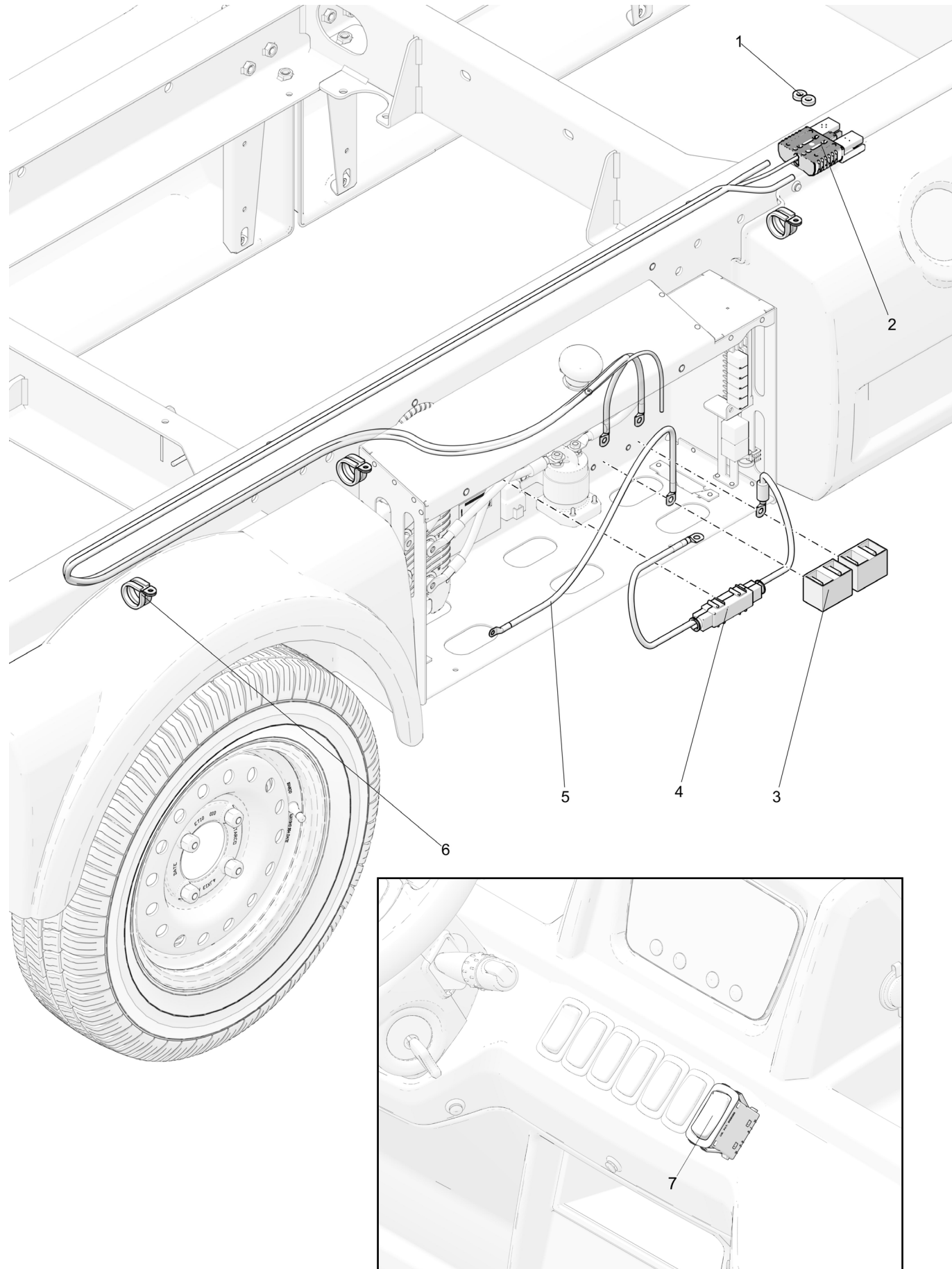
OPTION, TYPE APPROVAL KIT VASP

Applies to 7455001-09 [7305048-05]

Ref.	Part No.	Qty	Part Description	Notes
1	4210047	4	NUMBER PLATE DPT 47	
2	6500529	2	STICKER	
3	1760016	1	VEHICLE PLATE	
4	6200297	1	HARNESS	
5	4250007	1	CABLE GLAND	
6	6004073	1	ROOF BAR	
7	7102238	1	FLASHING BEACON	
8	6109833	1	SUPPORT PLATE	
9	7102238	1	BEACON LIGHT ASSY	
10	3350141	2	SEAL	
11	3350125	1	HOUSING	
12	3300119	3	TERMINAL	
13	3450463	1	SWITCH	

OPTION, PRE EQUIPMENT TIPPER OPTION COMBINED

Applies to 7455001-09 [7305050-01]



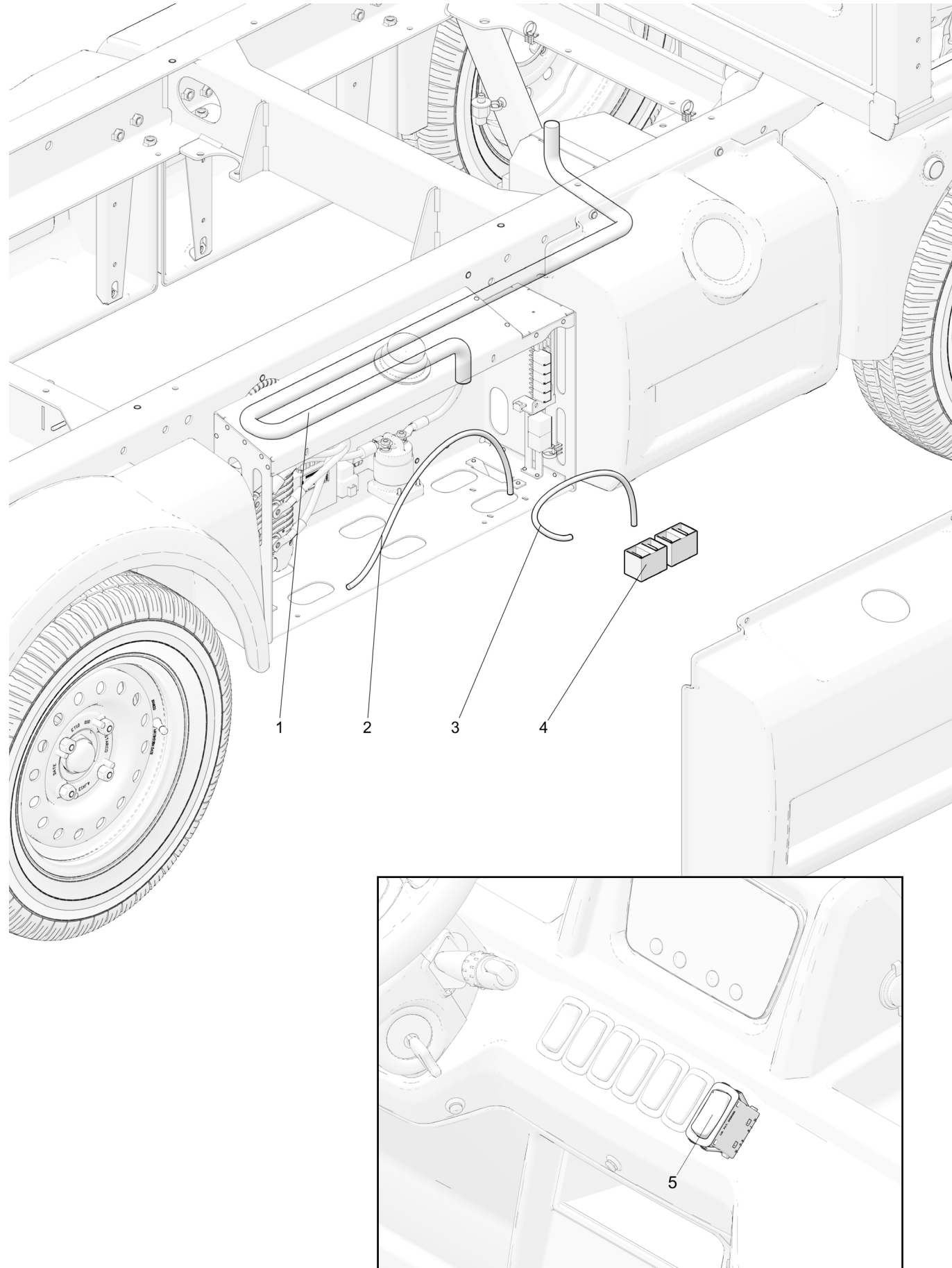
OPTION, PRE EQUIPMENT TIPPER OPTION COMBINED

Applies to 7455001-09 [7305050-01]

Ref.	Part No.	Qty	Part Description	Notes
1	4150367	2	SPACER	
2	6200729	1	HARNESS	
3	3450295	2	2V EARTH TERMINAL BLOCK	
4	6207785	1	HARNESS 48V	
5	6301084	1	GROUND	
6	4150223	3	COLLAR	
7	3450464	1	SWITCH	

OPTION, PRE EQUIPMENT MIXED OPTION

Applies to 7455001-09 [7305051-01]



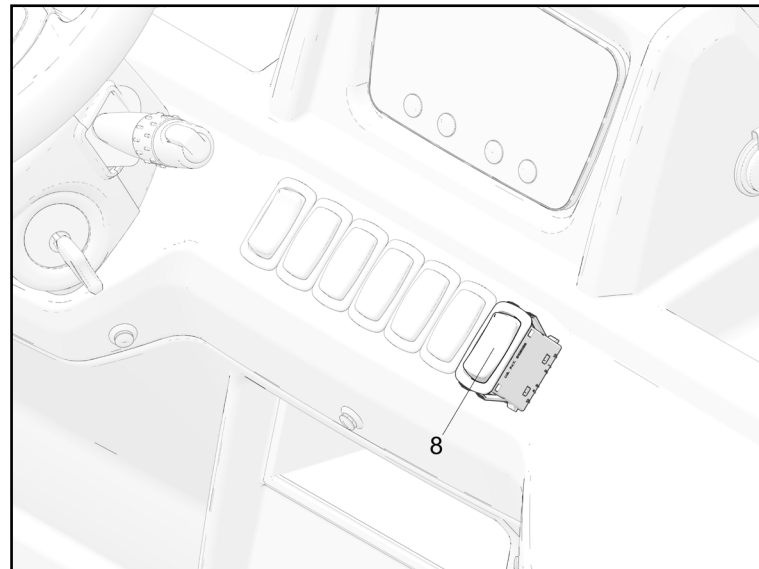
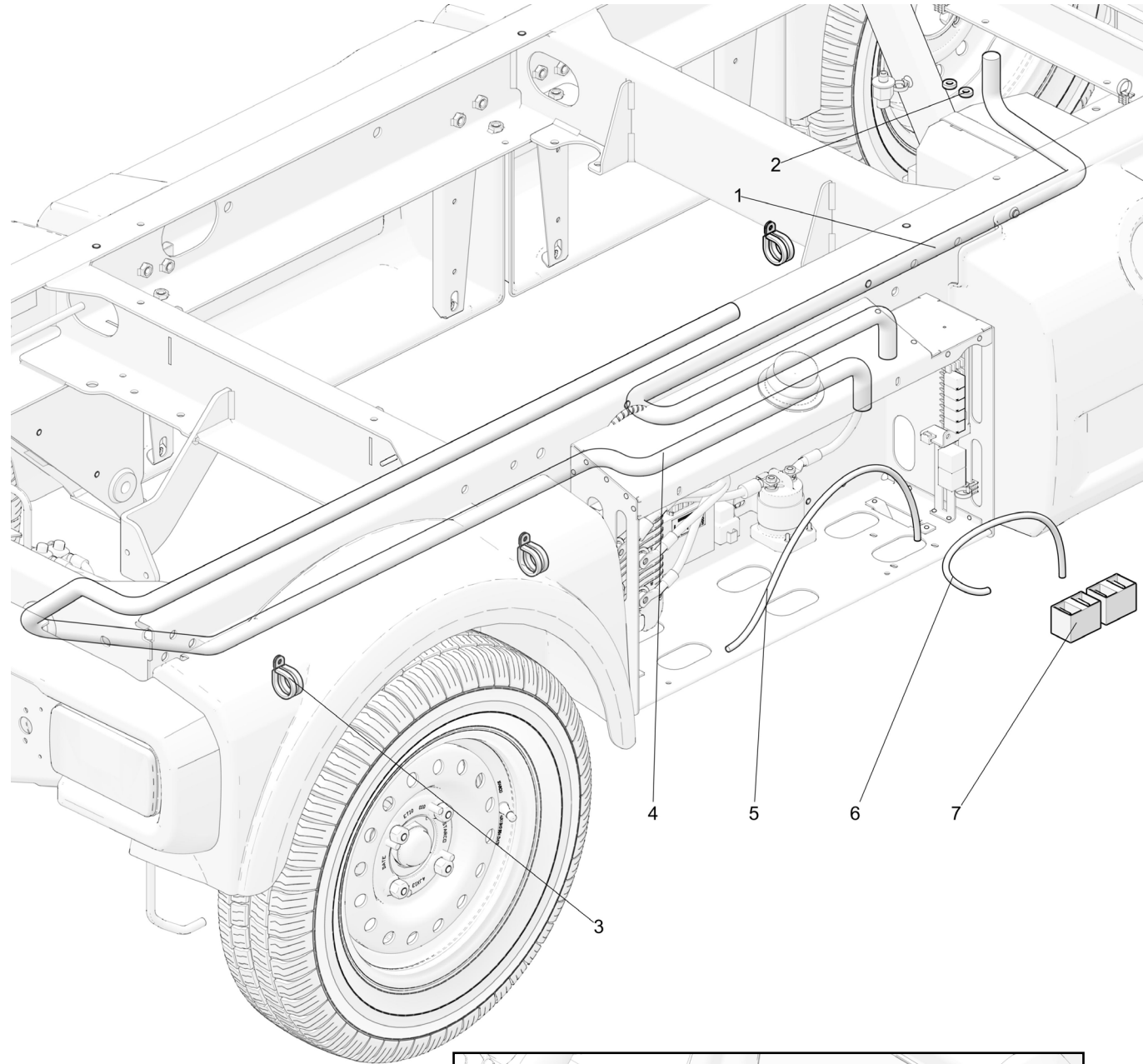
OPTION, PRE EQUIPMENT MIXED OPTION

Applies to 7455001-09 [7305051-01]

Ref.	Part No.	Qty	Part Description	Notes
1	6200728	1	HARNESS	
2	6301084	1	GROUND	
3	6207785	1	HARNESS 48V	
4	3450295	2	2V EARTH TERMINAL BLOCK	
5	3450464	1	SWITCH	

OPTION, PRE-EQUIPEMENT OPTION PICK UP & MIXED

Applies to 7455001-09 [7305052-01]



OPTION, PRE-EQUIPEMENT OPTION PICK UP & MIXED

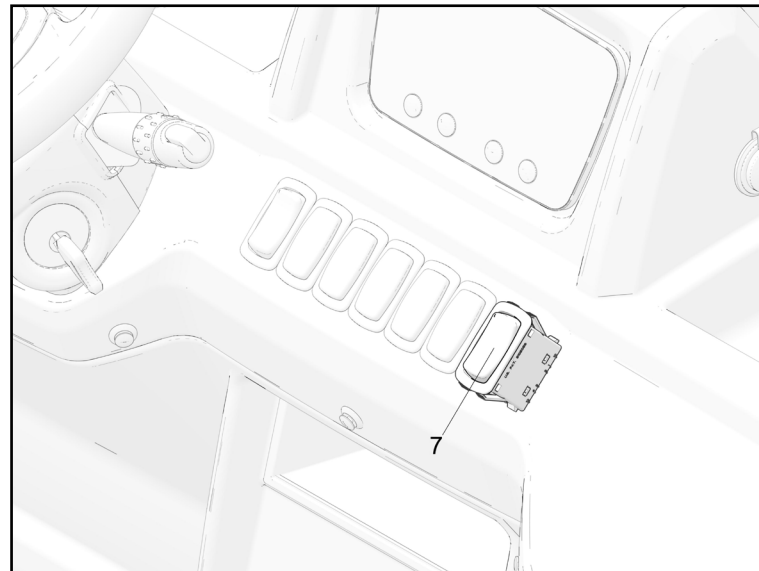
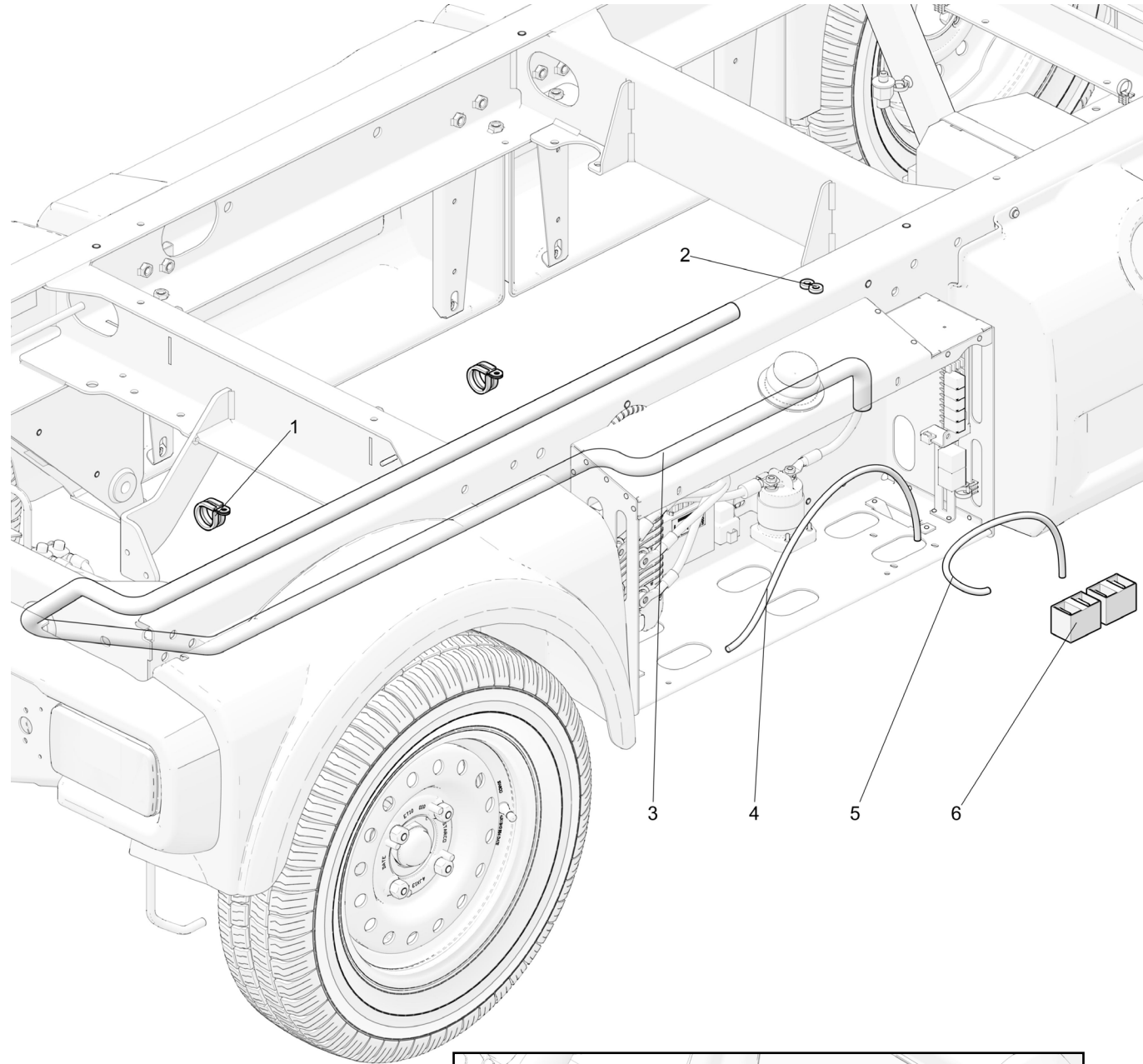
Applies to 7455001-09 [7305052-01]

Ref.	Part No.	Qty	Part Description	Notes
1	6200728	2	HARNESS	
2	4150367	2	SPACER	
3	4150223	3	COLLAR	
4	6200730	1	HARNESS	
5	6301084	1	GROUND	
6	6207785	1	HARNESS 48V	
7	3450295	2	2V EARTH TERMINAL BLOCK	
8	3450464	1	SWITCH	



OPTION, PRE EQUIPEMENT OPTION PICK UP & BOX

Applies to 7455001-09 [7305063-01]



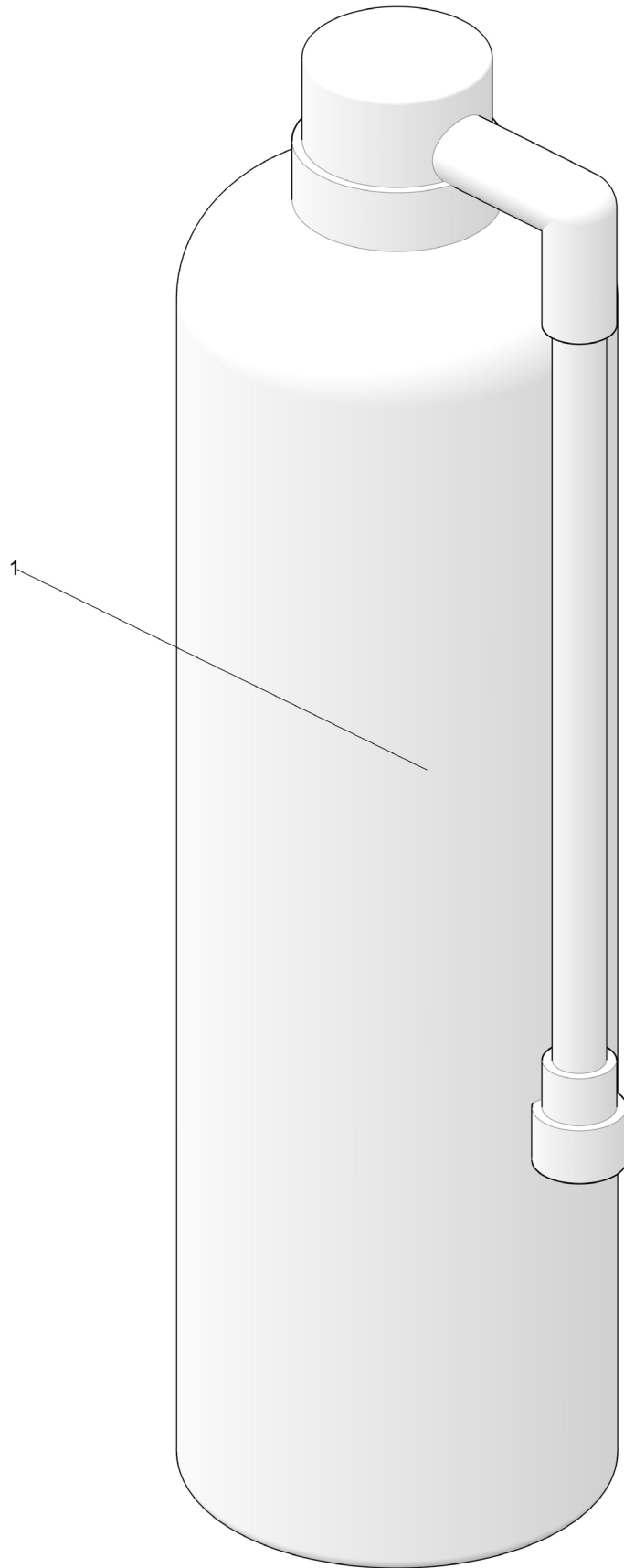
OPTION, PRE EQUIPEMENT OPTION PICK UP & BOX

Applies to 7455001-09 [7305063-01]

Ref.	Part No.	Qty	Part Description	Notes
1	4150223	5	COLLAR	
2	4150367	4	SPACER	
3	6200730	1	HARNESS	
4	6301084	1	GROUND	
5	6207785	1	HARNESS 48V	
6	3450295	2	2V EARTH TERMINAL BLOCK	
7	3450464	1	SWITCH	

*OPTION, ANTIPUNCTURE TREATMENT FOR WHEELS 155R13C*

**Applies to 7455001-09 [7305055]**



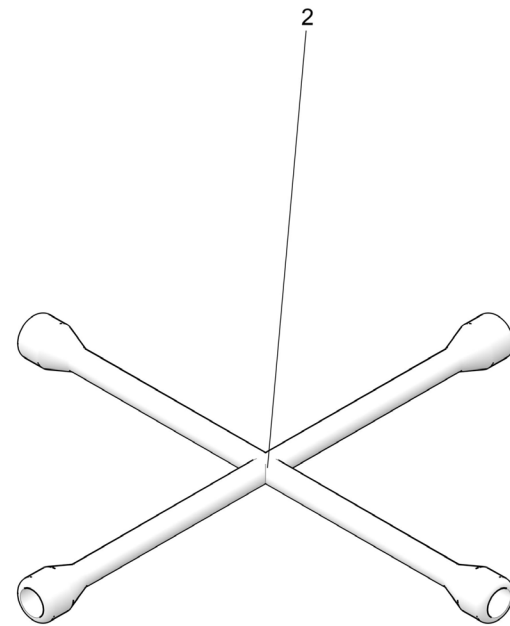
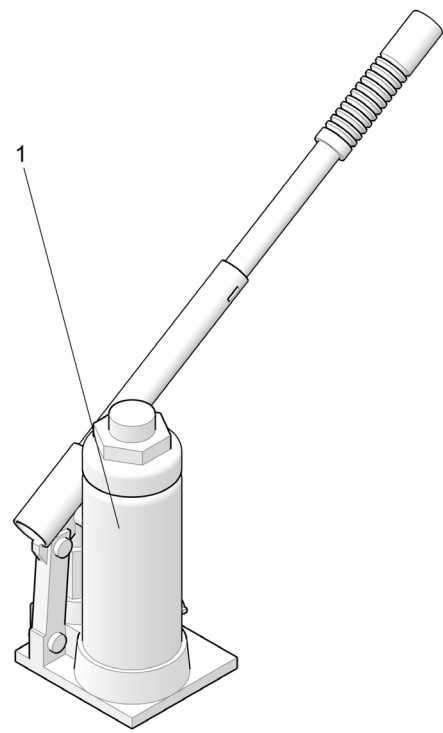
*OPTION, ANTIPUNCTURE TREATMENT FOR WHEELS 155R13C*

**Applies to 7455001-09 [7305055]**

Ref.	Part No.	Qty	Part Description	Notes
1	8540015	1	PUNCTURE REPAIR CAN	

*OPTION, JACK AND CRANK*

**Applies to 7455001-09 [7305067]**



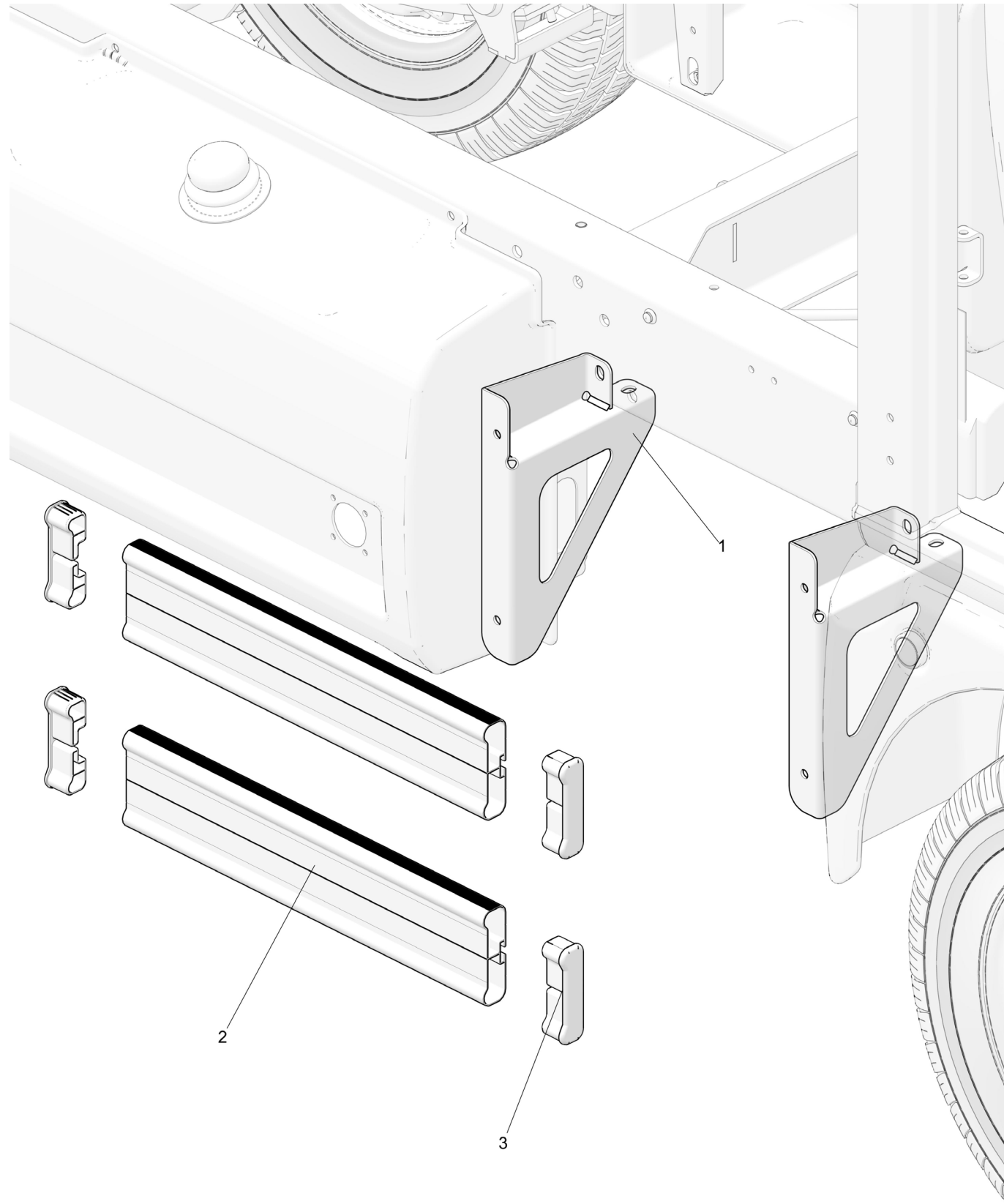
*OPTION, JACK AND CRANK*

**Applies to 7455001-09 [7305067]**

Ref.	Part No.	Qty	Part Description	Notes
1	4200309	1	BOTTLE JACK 3T	
2	4200387	1	SPANNER	

*OPTION, RIGHT SIDE GUARD*

**Applies to 7455001-09 [7305062]**



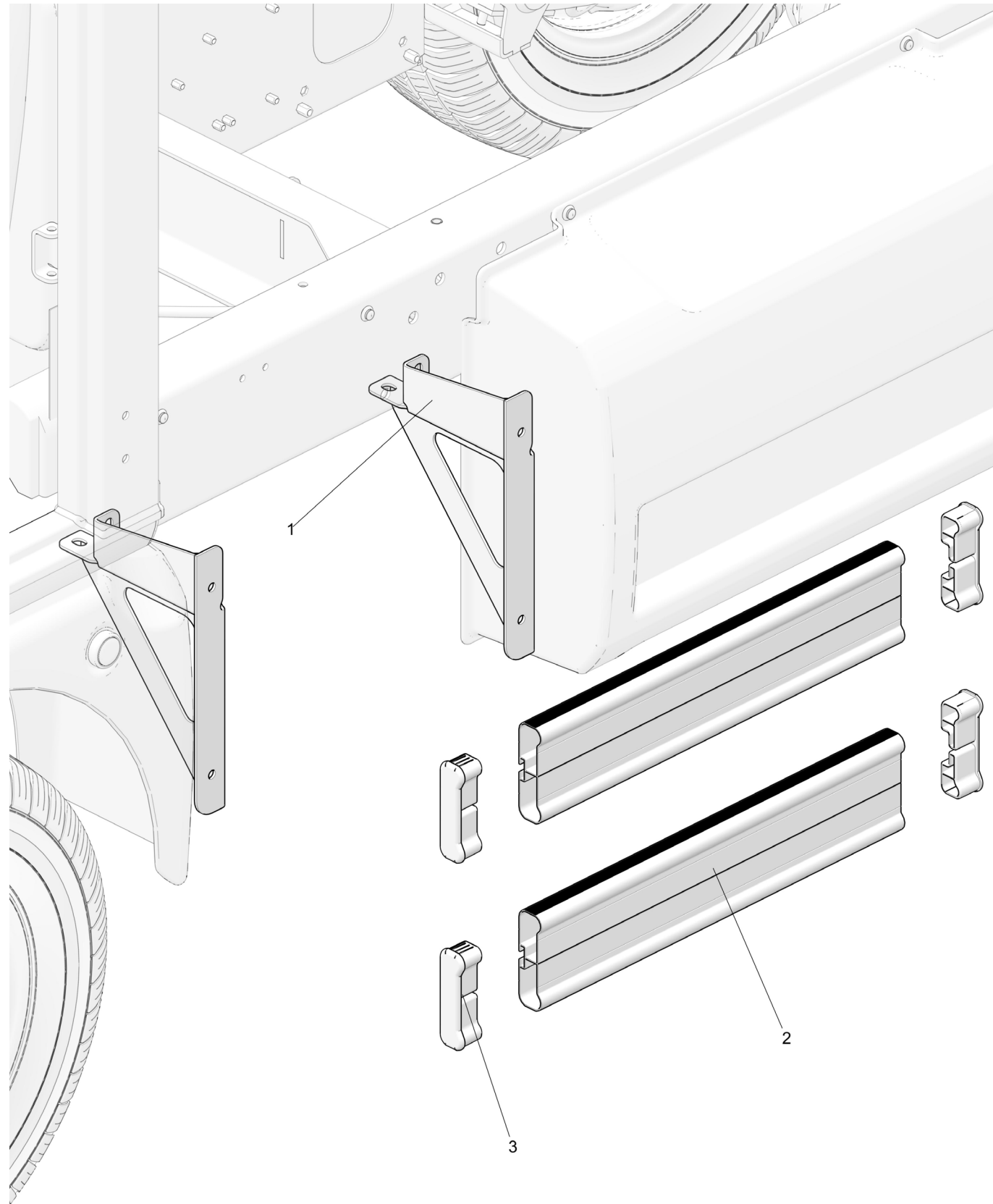
*OPTION, RIGHT SIDE GUARD*

**Applies to 7455001-09 [7305062]**

Ref.	Part No.	Qty	Part Description	Notes
1	6100330	2	L SHAPE HOLDER	
2	7002378	2	SIDE GUARD ALLOY PROFILE	
3	4250209	4	SIDE GUARD BAR PLUG	

OPTION, LEFT SIDE GUARD

Applies to 7455001-09 [7305078]



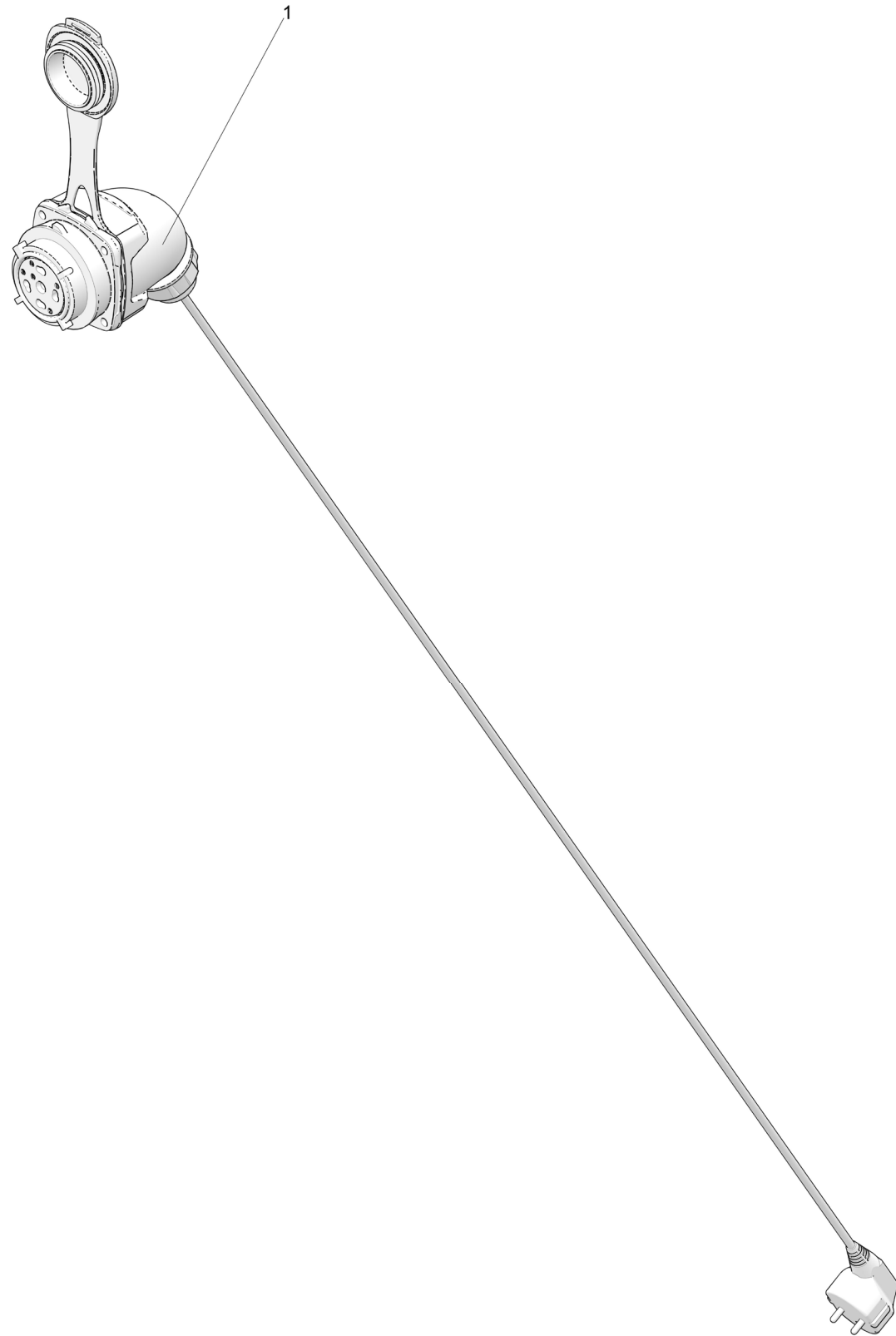
OPTION, LEFT SIDE GUARD

Applies to 7455001-09 [7305078]

Ref.	Part No.	Qty	Part Description	Notes
1	6100330	2	L SHAPE HOLDER	
2	7002378	2	SIDE GUARD ALLOY PROFILE	
3	4250209	4	SIDE GUARD BAR PLUG	

*OPTION, ELECTRICAL EXTENSION 5M*

**Applies to 7455001-09 [7305074]**



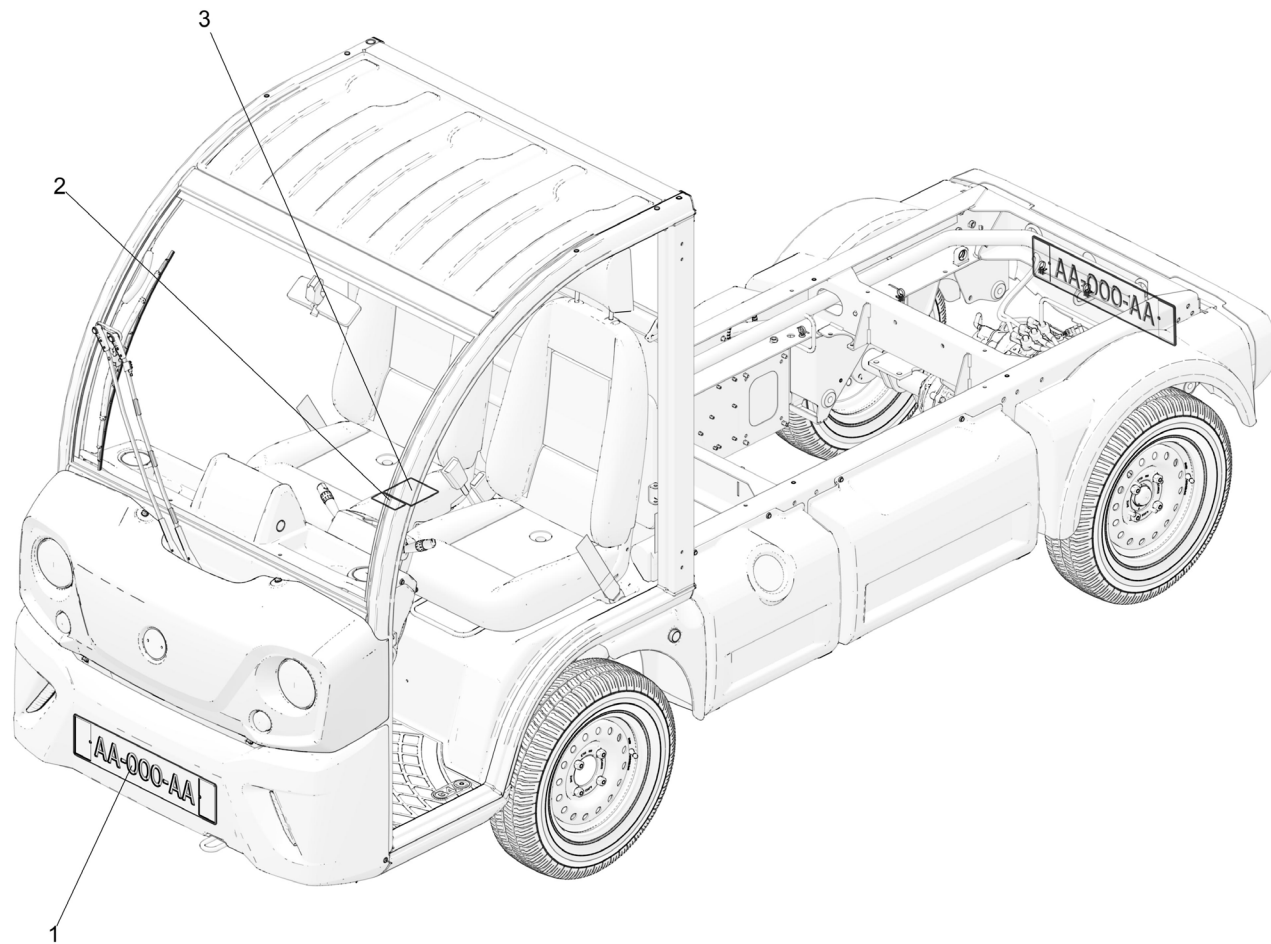
*OPTION, ELECTRICAL EXTENSION 5M*

**Applies to 7455001-09 [7305074]**

Ref.	Part No.	Qty	Part Description	Notes
1	6200758	1	FEMALE CHARGING CABLE 5M	

OPTION, TYPE APPROVAL KIT N1 NKS

Applies to 7455001-09 [7305072-04]



OPTION, TYPE APPROVAL KIT N1 NKS

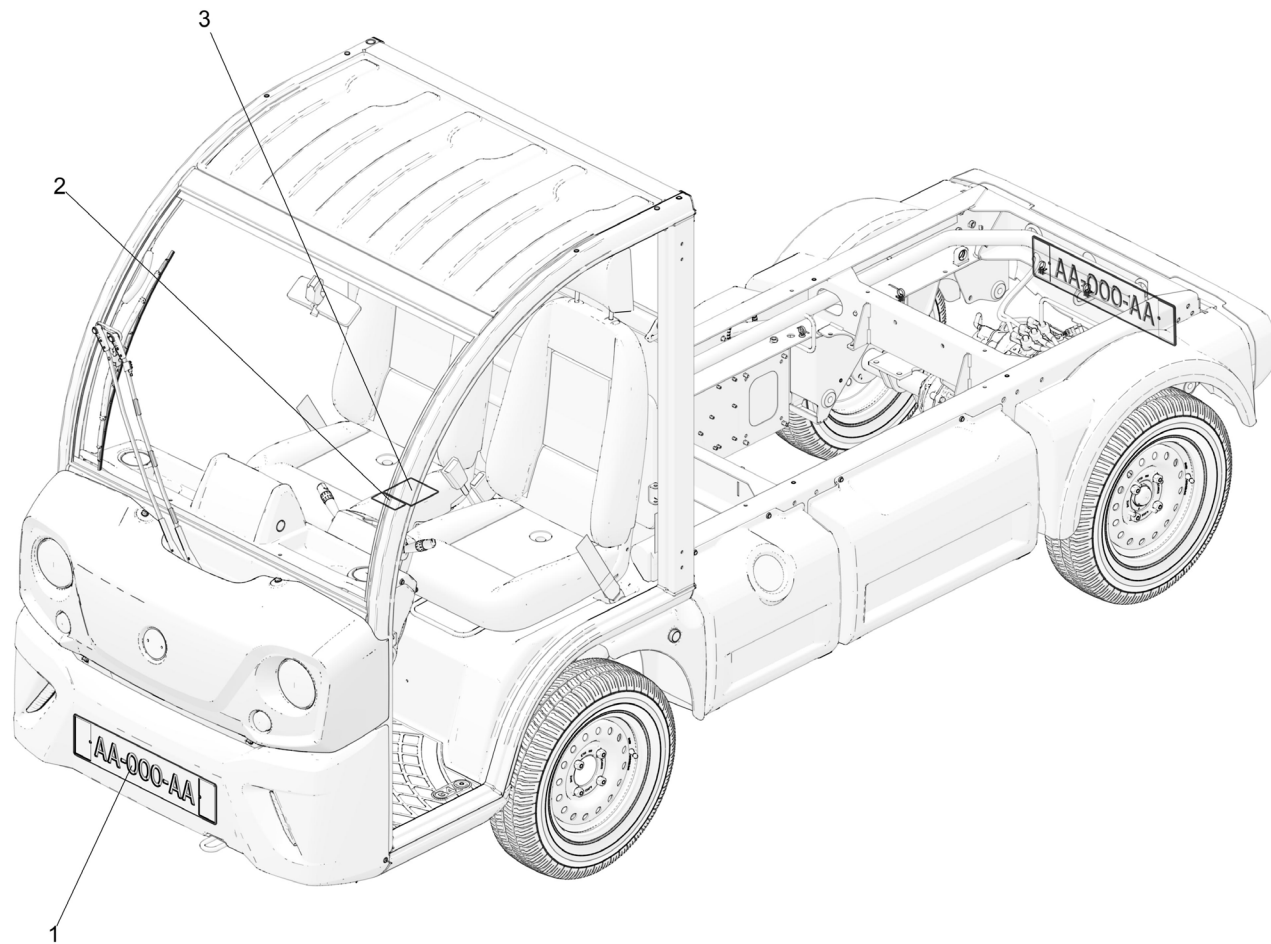
Applies to 7455001-09 [7305072-04]

Ref.	Part No.	Qty	Part Description	Notes
1	4201047	2	NUMBER PLATE DPT 47	
2	6500561	1	STICKER	
3	1760014	1	VEHICLE PLATE	



OPTION, TYPE APPROVAL KIT N1 KS

Applies to 7455001-09 [7305097-01]



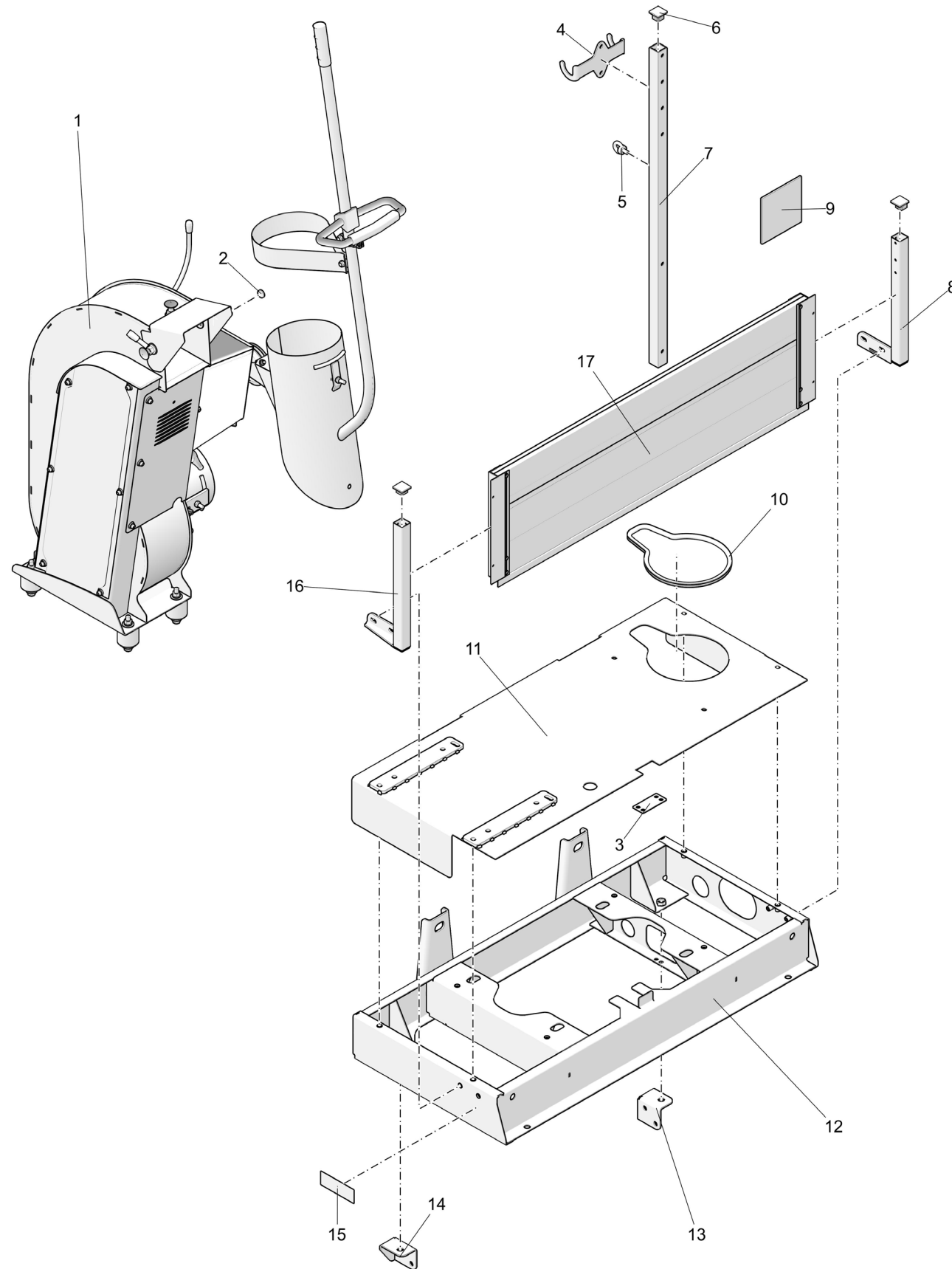
OPTION, TYPE APPROVAL KIT N1 KS

Applies to 7455001-09 [7305097-01]

Ref.	Part No.	Qty	Part Description	Notes
1	4201047	2	NUMBER PLATE DPT 47	
2	6500561	1	STICKER	
3	1760014	1	VEHICLE PLATE	

OPTION, COMBINED LEAF COLLECTOR G4

Applies to 7455001-09 [7305124-02]



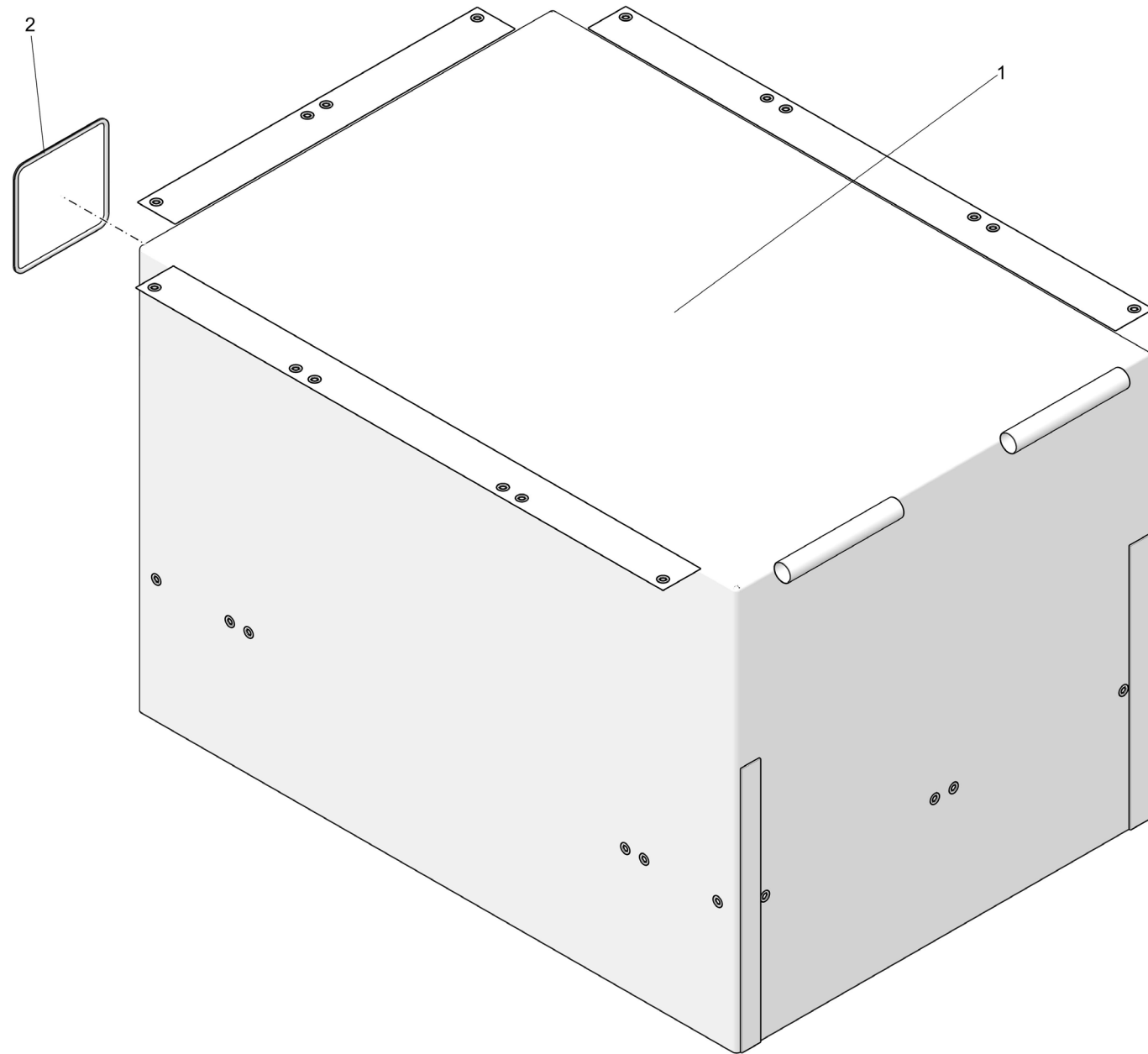
OPTION, COMBINED LEAF COLLECTOR G4

Applies to 7455001-09 [7305124-02]

Ref.	Part No.	Qty	Part Description	Notes
1	4200538	1	LEAF VACUUM/CRUSHERS	
2	4150177	1	STOP RUBBER	
3	6111211	1	POWER PLUG SUPPORT	
4	6105898	1	STOP	
5	4150535	1	RING LIFT	
6	4150256	3	CAP	
7	6003115	1	SLEEVE SUPPORT	
8	6004076	1	RH PILLAR	
9	6500338	1	STICKER OF REF VALUES	
10	4250015	1 ML	SEAL COVER	
11	6004115	1	FLOOR	
12	6004091	1	COMBINED OPTION FRAME	
13	6109854	1	SUPPORT	
14	6109855	1	SUPPORT	
15	6500147	1	SERIAL NUMBER STICKER	
16	6004077	1	LH PILLAR	
17	4200209	1	FRONT CURTAIN	

*OPTION, COMBINED LEAF COLLECTOR G4*

**Applies to 7455001-09 [7305124-02]**



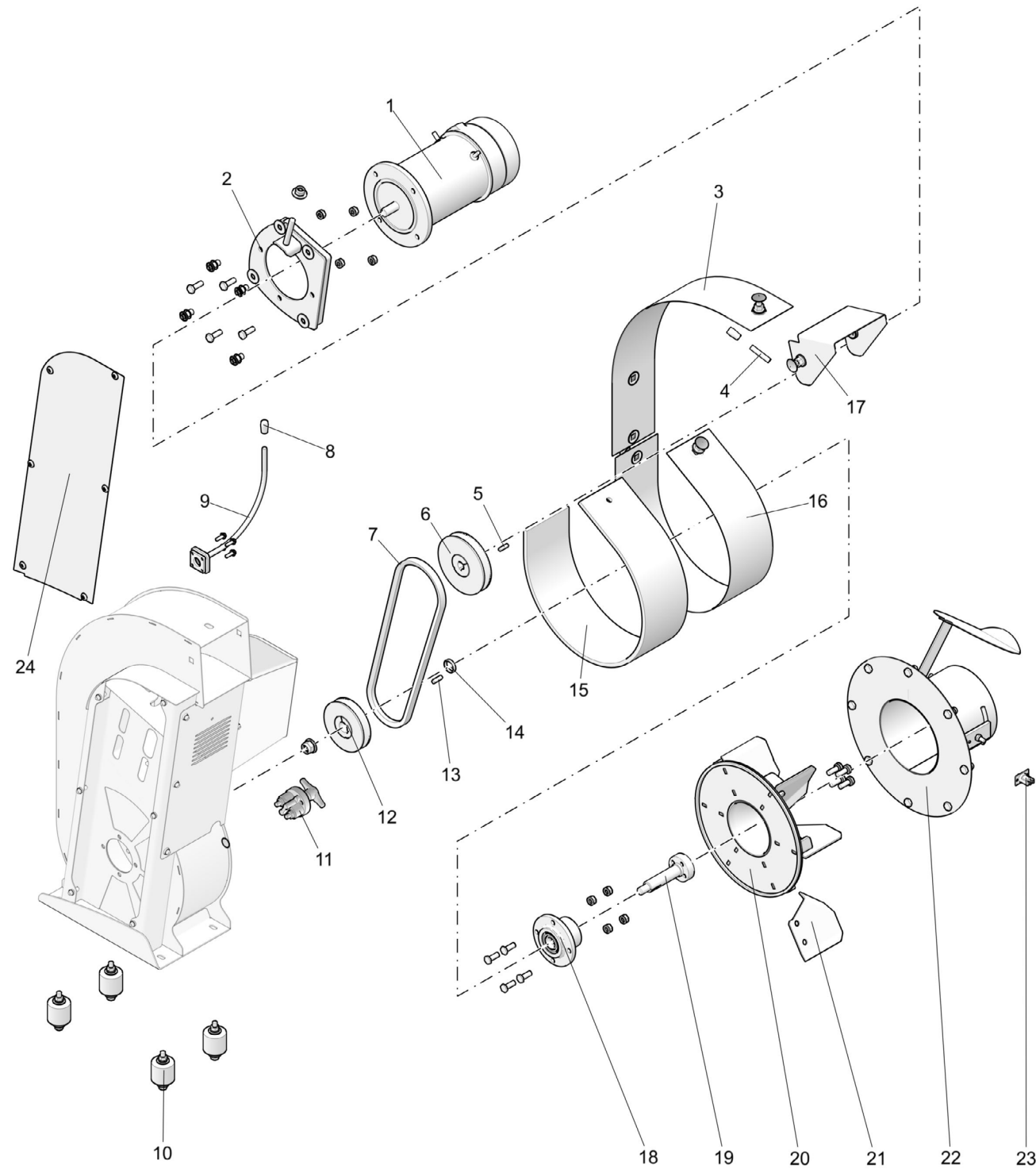
*OPTION, COMBINED LEAF COLLECTOR G4*

**Applies to 7455001-09 [7305124-02]**

Ref.	Part No.	Qty	Part Description	Notes
1	6004180	1	NET	
2	4250015	1 ML	SEAL COVER	

OPTION, COMBINED LEAF COLLECTOR G4

Applies to 7455001-09 [7305124-02]



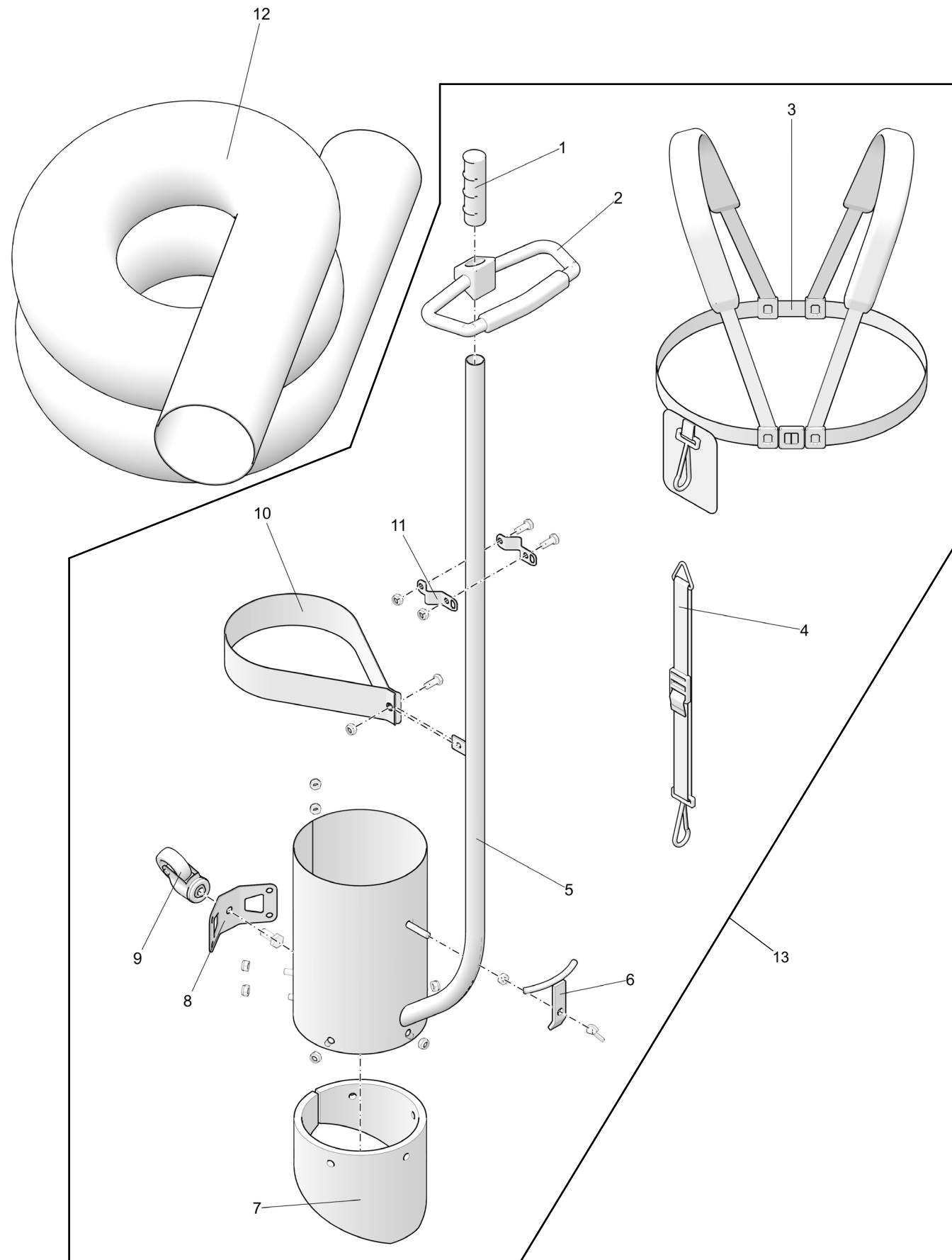
OPTION, COMBINED LEAF COLLECTOR G4

Applies to 7455001-09 [7305124-02]

Ref.	Part No.	Qty	Part Description	Notes
1	3500290	1	MOTOR	
2	2101004	1	MOTOR PLATE	
3	2101007	1	CHUTE WEAR PLATE	
4	2101011	1	CAP HANDLE	
5	2100526	1	PRIMARY DRIVE CLAVETTE	
6	2101010	1	MOTOR PULLEY	
7	2100530	1	BELT	
8	2101013	2	SMALL HANDLE	
9	2101014	1	HOSE SUPPORT	
10	2100684	4	SILENTBLOC	
11	2100571	1	ISOLATOR SWITCH	
12	2100529	1	TURBINE PULLEY	
13	2100526	1	TURBINE CLAVETTE	
14	2101009	1	PULLEY SPACER	
15	2050137	1	PROTECTION SCROLL	
16	2101005	1	VOLUTE WEAR SHEET	
17	2101012	1	EJECTION CAP	
18	2100804	1	ROTOR BEARING ASSEMBLY	
19	2100525	1	TURBINE SCHAFT	
20	2050136	1	TURBINE ASSEMBLY	
21	2100523	4	TURBINE BLADE	
22	2101015	1	SUCCTION FLANGE	
23	3500204	1	CIRCUIT BREAKER	
24	2101261	1	PULLEY SIDE HOUSING	

OPTION, COMBINED LEAF COLLECTOR G4

Applies to 7455001-09 [7305124-02]



OPTION, COMBINED LEAF COLLECTOR G4

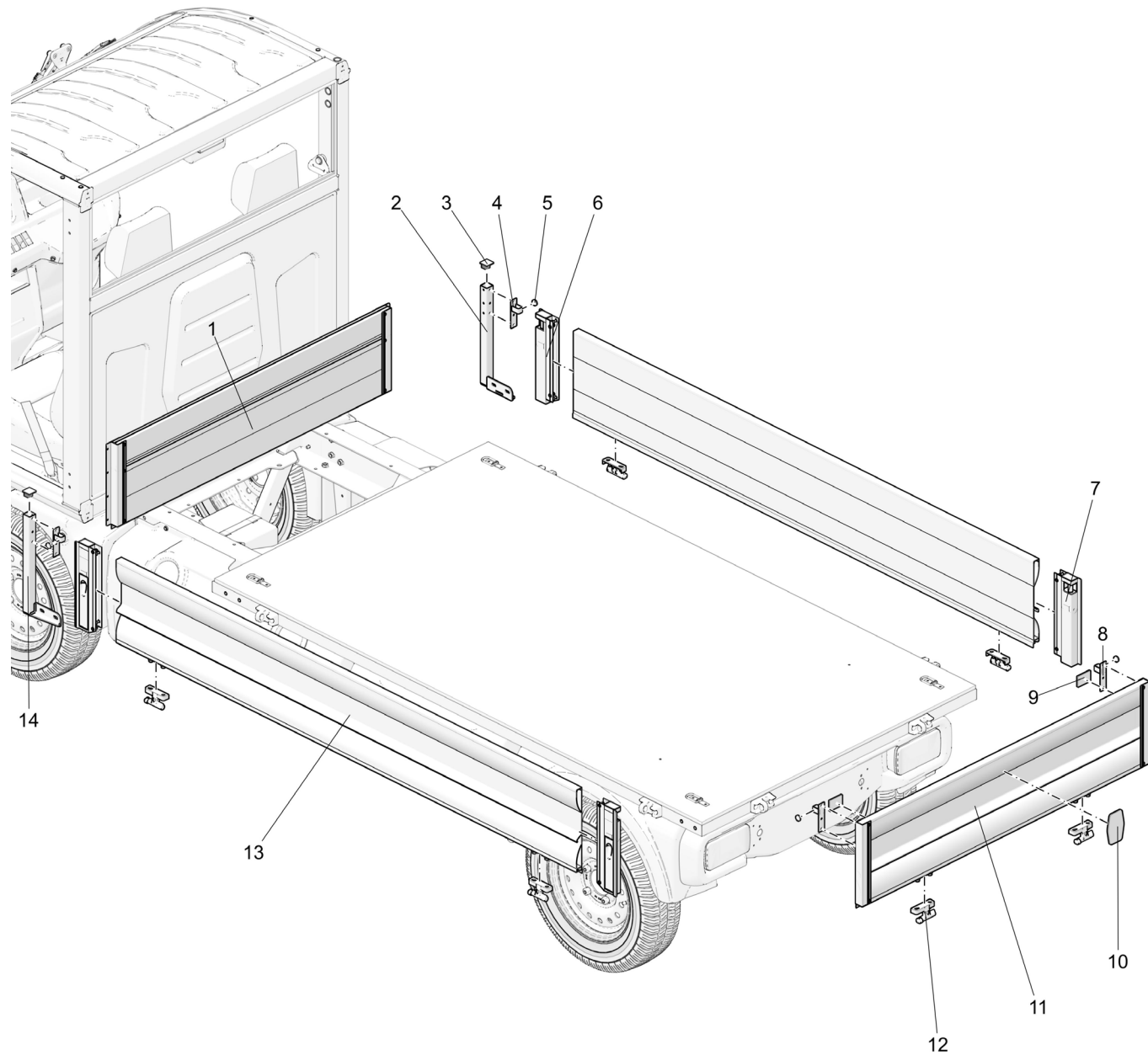
Applies to 7455001-09 [7305124-02]

Ref.	Part No.	Qty	Part Description	Notes
1	2100714	1	RUBBER HANDLE	
2	2100518	1	HANDGRIP	
3	2100522	1	HARNESS STRAP	
4	2101003	1	SUPPORT STRAP	
5	2100993	1	SUCCTION NOZZLE	
6	2100995	1	HOSE FLANGE	
7	2100517	1	NOZZLE BIB	
8	2100996	1	CASTER BRACKET	
9	2100516	1	NOZZLE CASTER	
10	2100519	1	STRAP	
11	2100994	1	FASTENING HARNESS	
12	2100577	1	VACUUM HOSE	
13	2100700	1	SUCCTION NOZZLE ASSEMBLY	

OPTION, DROPSIDE PICKUP

Applies to 7455001-09 [7305101-01]

\* Illustrated on G4L vehicle. The dropside pickup also applies to G4M vehicle.



OPTION, DROPSIDE PICKUP

Applies to 7455001-09 [7305101-01]

Ref.	Part No.	Qty	Part Description	Notes
1	4200451	1	FRONT RAIL	
2	6004077	1	LH PILLAR	
3	4150256	2	CAP	
4	2100275	2	LOCKING HOOK	
5	4150177	4	RUBBER STOP	
6	2100420	2	RH SIDE WALL TIP	
7	2100421	2	LH SIDE WALL TIP	
8	2100275	2	LOCKING HOOK	
9	3550131	2	RED REFLECTOR	
10	6102615	1	FOAM PROTECTION	
11	4200453	1	REAR GATE	
12	2100387	6	HINGE - TRANNION	
13	4200452	2	SIDE GATE	
14	6004076	1	RH PILLAR	

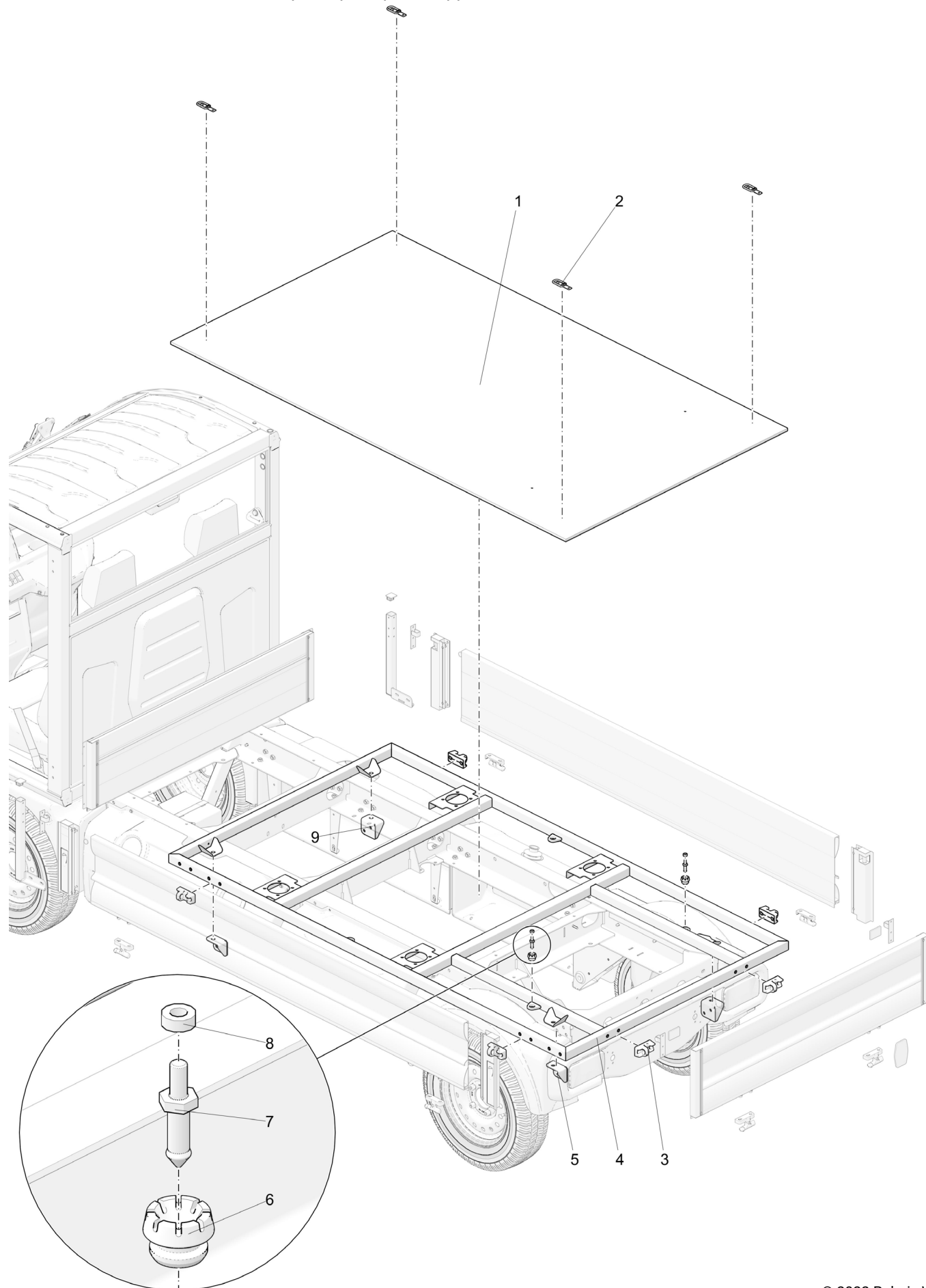
Note: If the vehicle is equipped with the canvas option, the rear gate has an another PN. So please refer to the corresponding spare view.

Note: Si le véhicule est équipé de l'option bâche sur plateau, la ridelle arrière n'est pas la même référence. Se référer à la vue éclatée correspondante.

OPTION, DROPSIDE PICKUP

Applies to 7455001-09 [7305101-01]

\* Illustrated on G4L vehicle. The dropside pickup also applies to G4M vehicle.



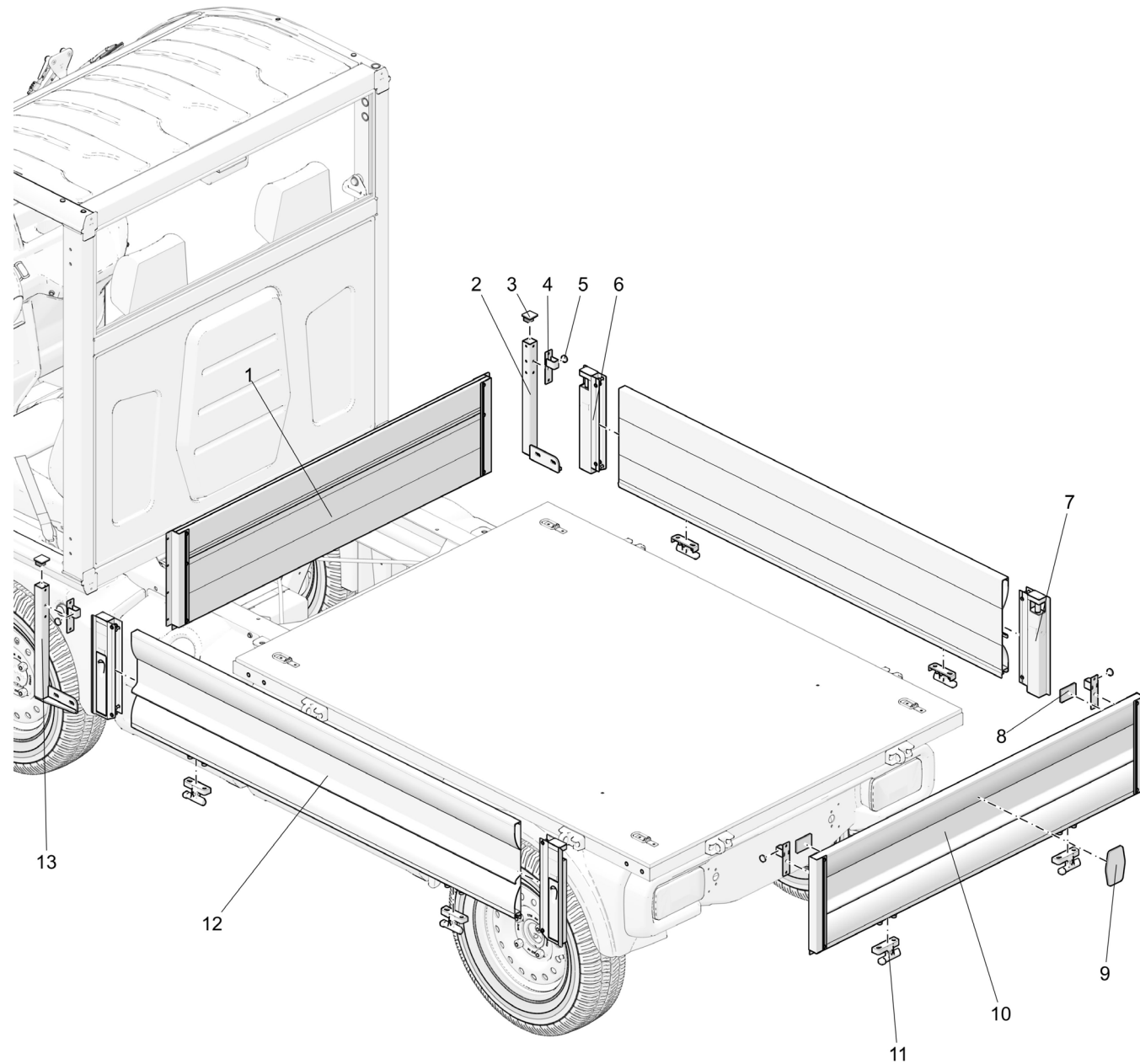
OPTION, DROPSIDE PICKUP

Applies to 7455001-09 [7305101-01]

Ref.	Part No.	Qty	Part Description	Notes
1	6110202	1	FLOOR	
2	4150973	4	TIE BRACKET	
3	2100386	6	HINGE	
4	6004135	1	FLATBED / VAN FRAME	
5	6109854	2	SUPPORT	
6	105439179	2	LOCK RUBBER FLOOR VAN	
7	105910404	2	LOCK FLOOR VAN	
8	4150948	2	SPACER	
9	6109855	1	SUPPORT	

OPTION, COMBINED PICKUP

Applies to 7455001-09 [7305102-01]



OPTION, COMBINED PICKUP

Applies to 7455001-09 [7305102-01]

Ref.	Part No.	Qty	Part Description	Notes
1	4200451	1	FRONT RAIL	
2	6004077	1	LH PILLAR	
3	4150256	2	CAP	
4	2100275	4	LOCKING HOOK	
5	4150177	4	RUBBER STOP	
6	2100420	2	RH SIDE WALL TIP	
7	2100421	2	LH SIDE WALL TIP	
8	3550131	2	RED REFLECTOR	
9	6102615	1	FOAM PROTECTION	
10	4200453	1	REAR GATE	
11	2100387	6	HINGE - TRANNION	
12	4200455	2	SIDE GATE	
13	6004076	1	RH PILLAR	

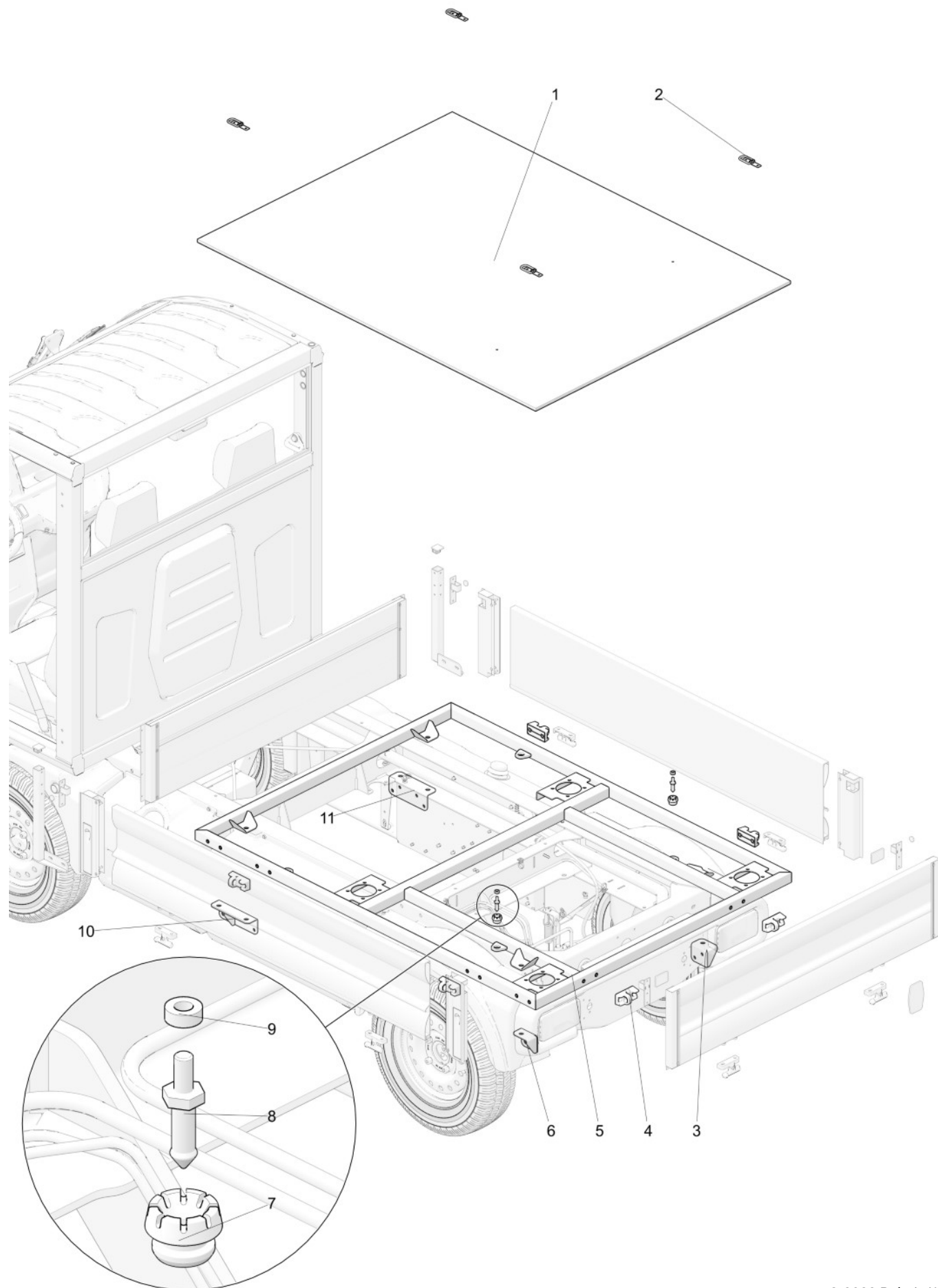
Note: If the vehicle is equipped with the canvas option, the rear gate has an another PN. So please refer to the corresponding spare view.

Note: Si le véhicule est équipé de l'option bâche sur plateau, la ridelle arrière n'est pas la même référence. Se référer à la vue éclatée correspondante.



OPTION, COMBINED PICKUP

Applies to 7455001-09 [7305102-01]



OPTION, COMBINED PICKUP

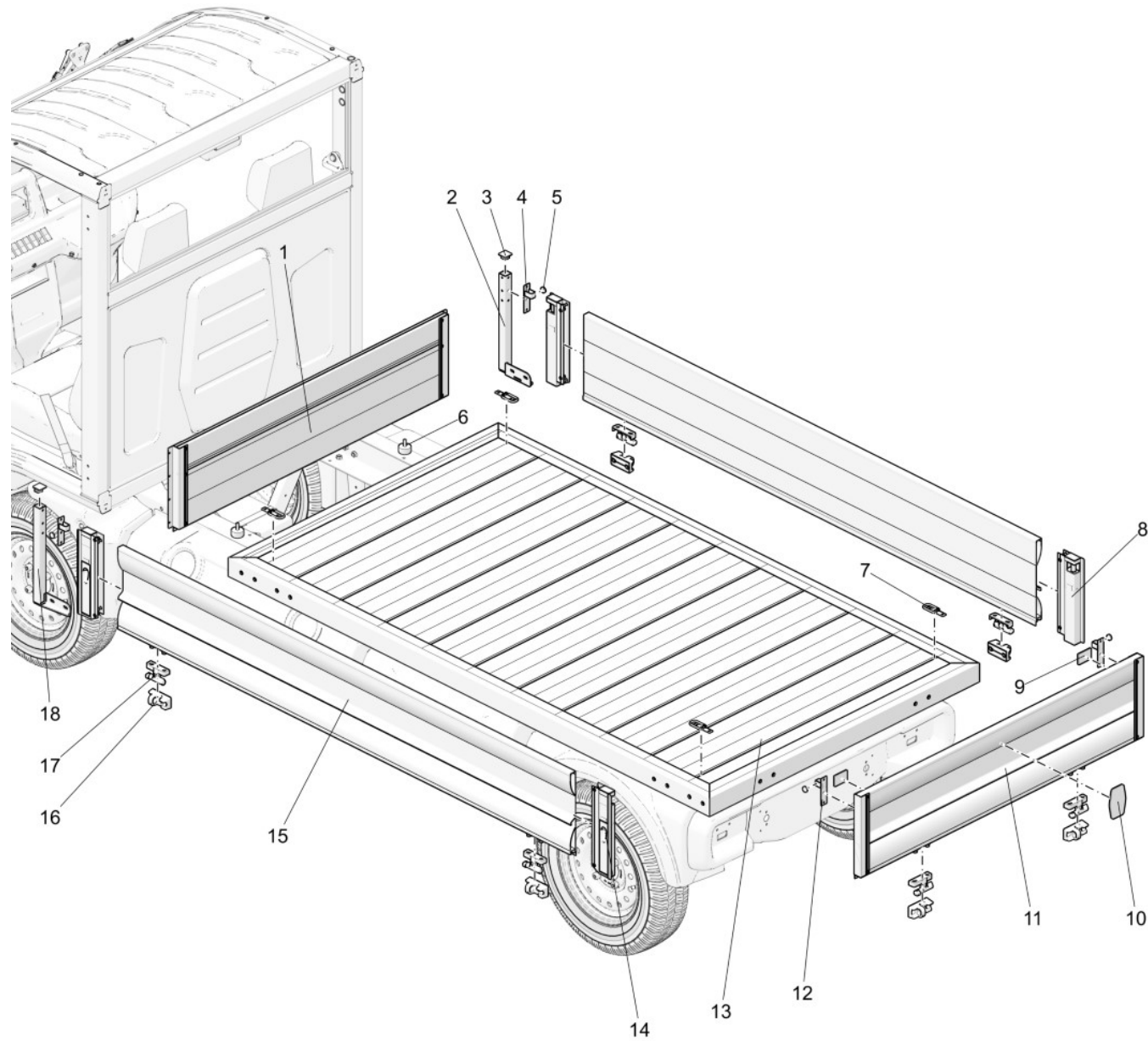
Applies to 7455001-09 [7305102-01]

Ref.	Part No.	Qty	Part Description	Notes
1	6110222	1	FLOOR	
2	4150973	4	TIE BRACKET	
3	6109855	1	SUPPORT	
4	2100386	6	HINGE	
5	6004134	1	COMBINE FLATBED / VAN FRAME	
6	6109854	1	SUPPORT	
7	105439179	2	LOCK RUBBER FLOOR VAN	
8	105910404	2	LOCK FLOOR VAN	
9	4150948	2	SPACER	
10	6004090	1	SUPPORT	
11	6004089	1	SUPPORT	

OPTION, TIPPER

**Applies to 7455001-09 [7305105-01]**

\* Illustrated on G4L vehicle. The tipper also applies to G4M vehicle.



OPTION, TIPPER

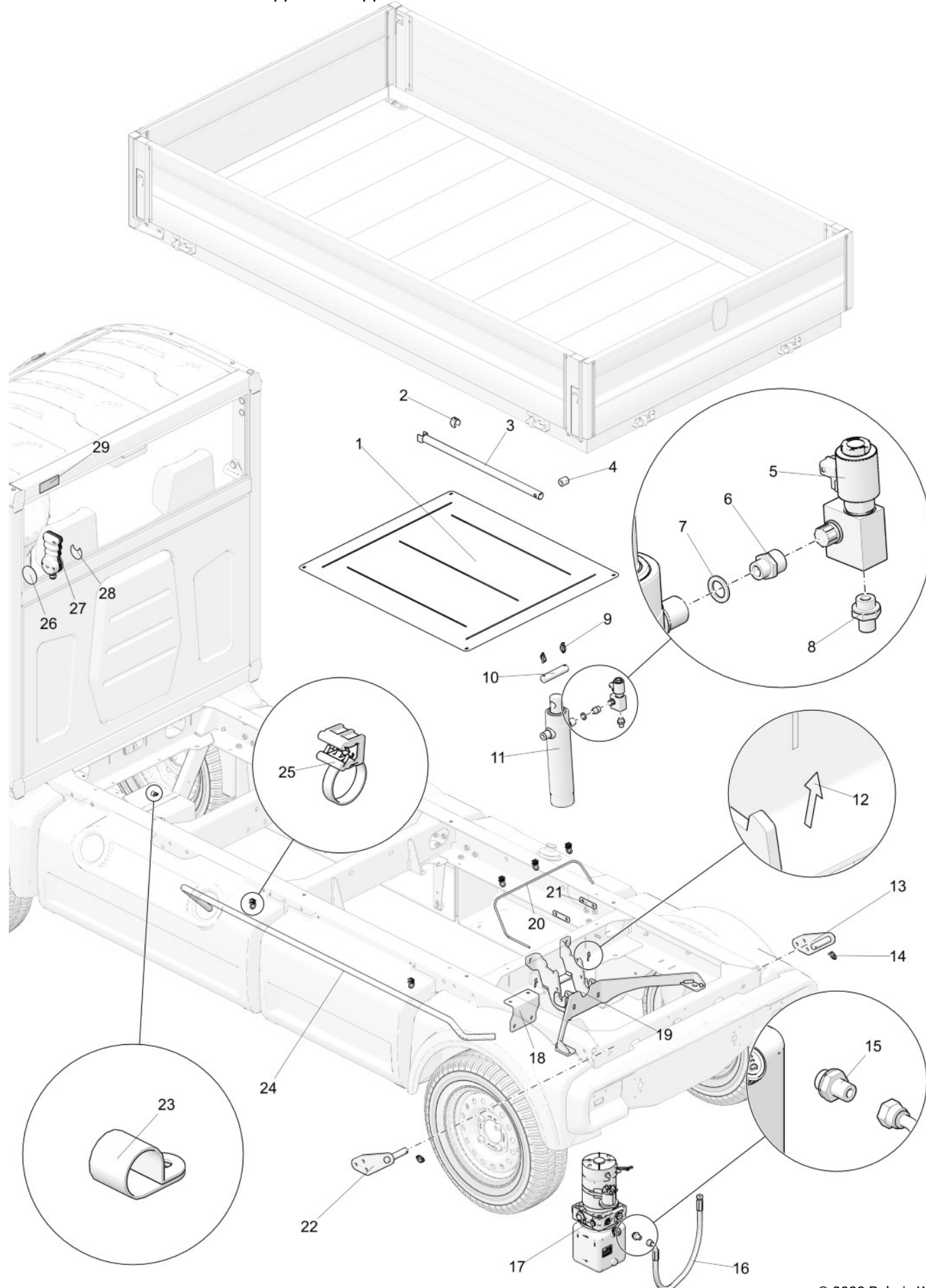
**Applies to 7455001-09 [7305105-01]**

Ref.	Part No.	Qty	Part Description	Notes
1	4200451	1	FRONT RAIL	
2	6004077	1	LH PILLAR	
3	4150256	2	CAP	
4	2100275	2	LOCKING HOOK	
5	4150177	4	RUBBER STOP	
6	4150356	2	RUBBER STOP	
7	4150973	4	TIE BRACKET	
8	2100421	2	LH SIDE WALL TIP	
9	3550131	2	RED REFLECTOR	
10	6102615	1	FOAM PROTECTION	
11	4200453	1	REAR GATE	
12	2100275	2	LOCKING HOOK	
13	6004131	1	TILT BED FRAME	
14	2100420	2	RH SIDE WALL TIP	
15	4200452	2	SIDE GATE	
16	2100386	6	HINGE	
17	2100387	6	HINGE - TRANNION	
18	6004076	1	RH PILLAR	

OPTION, TIPPER

Applies to 7455001-09 [7305105-01]

\* Illustrated on G4L vehicle. The tipper also applies to G4M vehicle.



© 2022 Polaris W&T

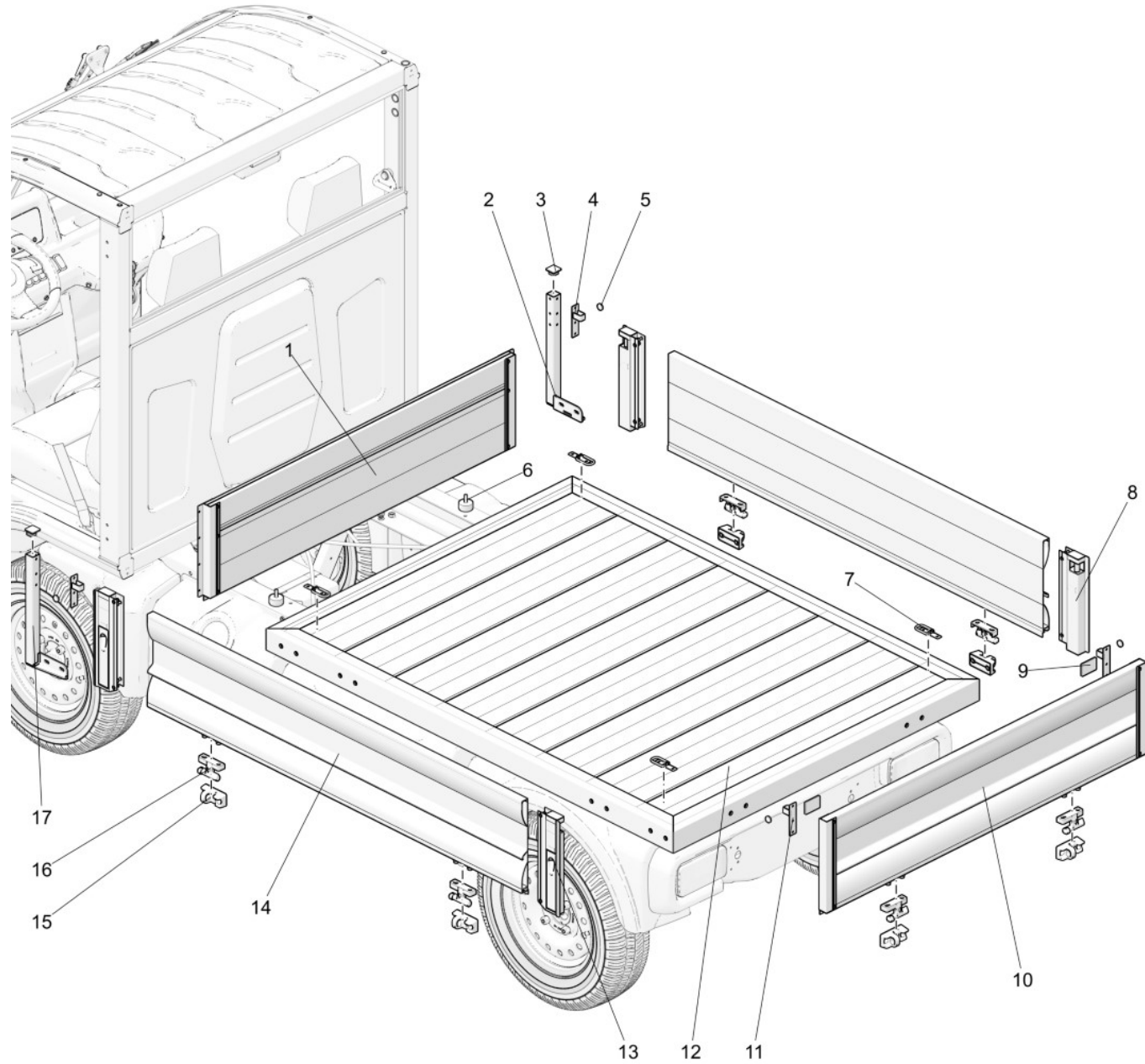
OPTION, TIPPER

Applies to 7455001-09 [7305105-01]

Ref.	Part No.	Qty	Part Description	Notes
1	6110192	1	COVER	
2	4150322	1	CLIP	
3	6004138	1	STAND	
4	4150996	1	SPACER	
5	4000520	1	SOLENOID 12V	
6	4000521	1	HYDRAULIC CONNECTION	
7	4000527	1	BBS BUSH	
8	4000057	1	MALE CONNECTOR	
9	5450020	2	PIN	
10	6700573	1	SPINDLE	
11	4000522	1	HYDRAULIC CYLINDER	
12	6500554	2	CRUTCH STICKER	
13	6004081	1	RH CLEVIS FOR TILT BED	
14	5450013	2	PIN	
15	4000058	1	STRAIGHT CONNECTOR	
16	6400039	1	HYDRAULIC HOSE	
17	4000519	1	MICROCENTRAL HYDRAULIC UNIT	
18	6109856	1	HYDRAULIC PUMP SUPPORT	
19	6004137	1	HYDRAULIC CYLINDER SUPPORT	
20	6200300	1	HARNESS	
21	6110161	2	STOP	
22	6004080	1	LH CLEVIS FOR TILT BED	
23	4150989	1	COLLAR	
24	6200312	1	HARNESS	
25	3450441	5	CLIP	
26	4150988	1	REMOTE SUPPORT	
27	3450485	1	REMOTE CONTROL	
28	6500521	1	STICKER	
29	6500680	1	STICKER	

OPTION, COMBINED TIPPER

Applies to 7455001-09 [7305106-01]



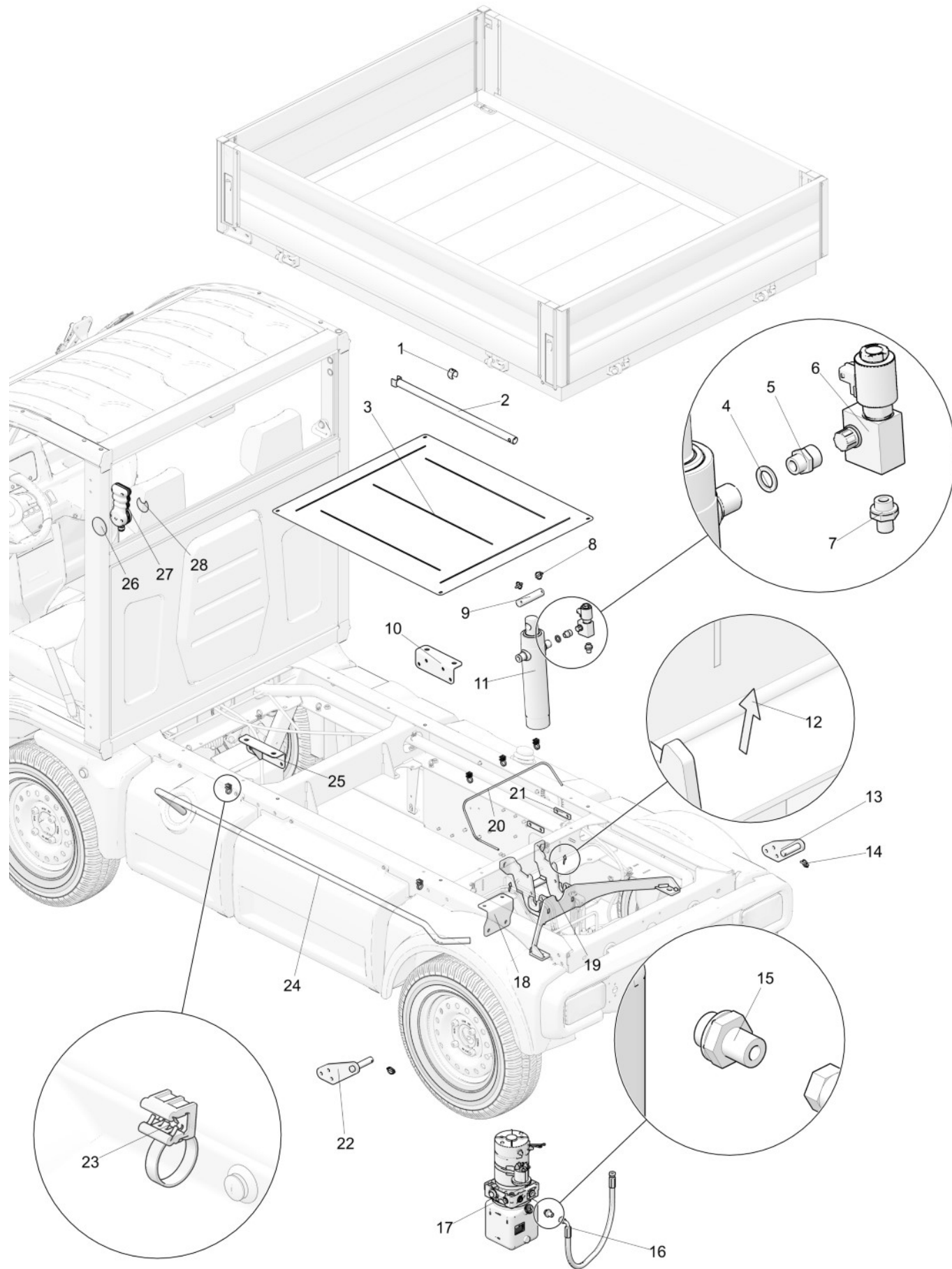
OPTION, COMBINED TIPPER

Applies to 7455001-09 [7305106-01]

Ref.	Part No.	Qty	Part Description	Notes
1	4200451	1	FRONT RAIL	
2	6004077	1	LH PILLAR	
3	4150256	2	CAP	
4	2100275	2	LOCKING HOOK	
5	4150177	4	RUBBER STOP	
6	4150356	2	RUBBER STOP	
7	4150973	4	TIE BRACKET	
8	2100421	2	LH SIDE WALL TIP	
9	3550131	2	RED REFLECTOR	
10	4200453	1	REAR GATE	
11	2100275	2	LOCKING HOOK	
12	6004133	1	TILT BED COMBINE FRAME	
13	2100420	2	RH SIDE WALL TIP	
14	4200455	2	SIDE GATE	
15	2100386	6	HINGE	
16	2100387	6	HINGE - TRANNION	
17	6004076	1	RH PILLAR	

OPTION, COMBINED TIPPER

Applies to 7455001-09 [7305106-01]



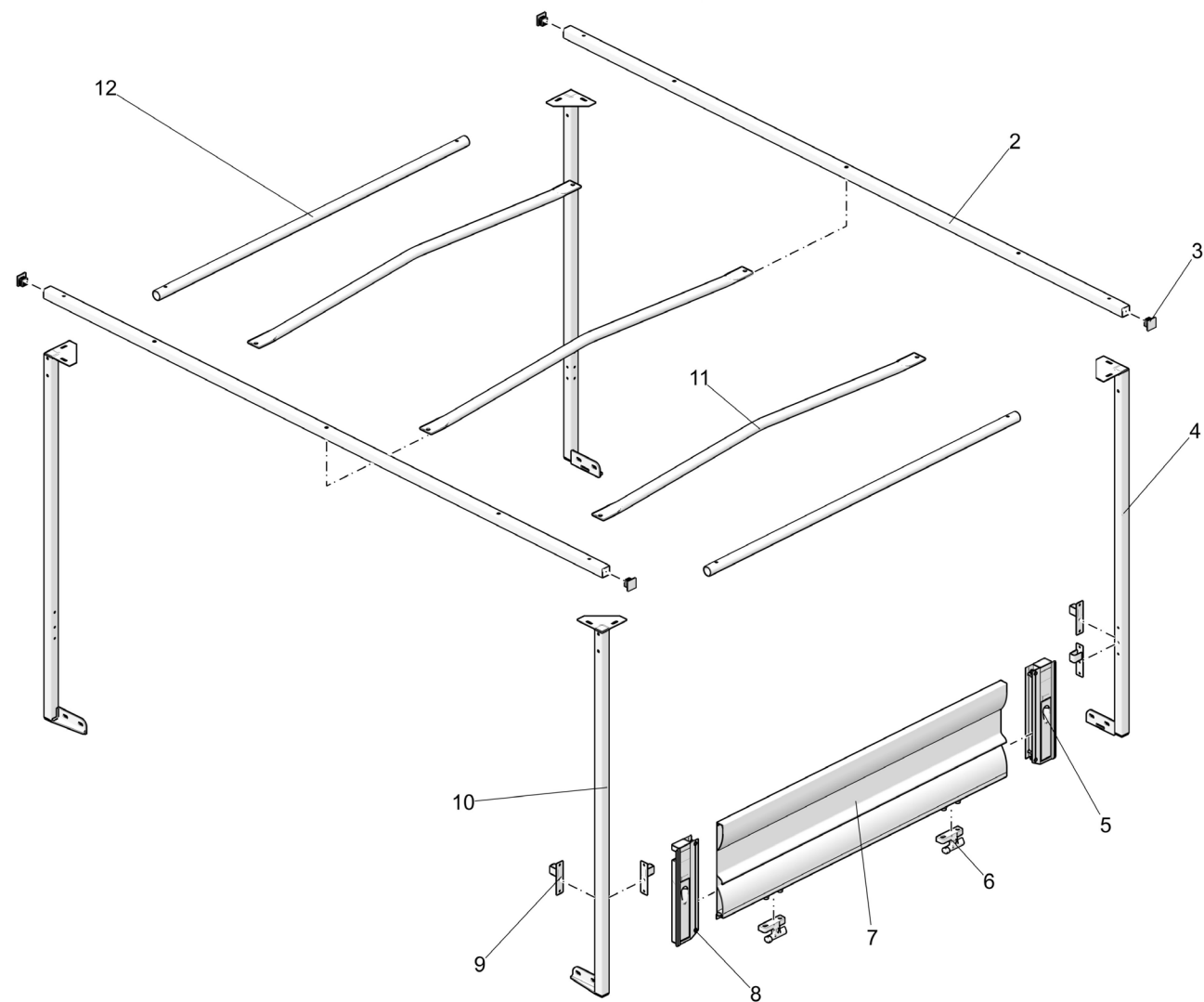
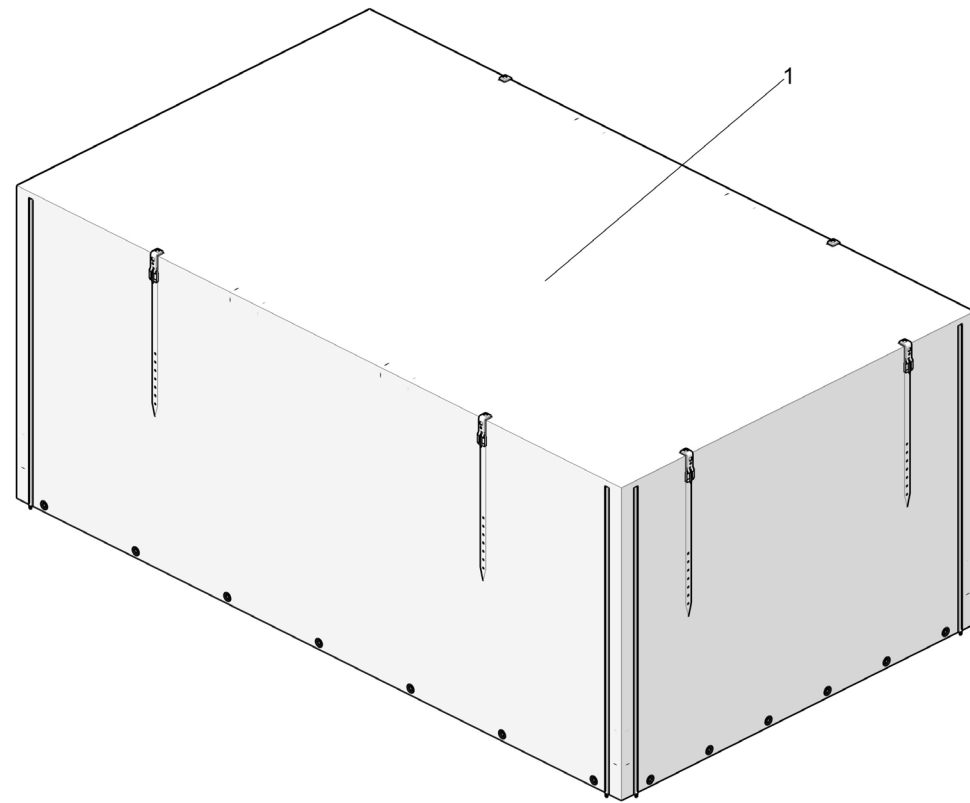
OPTION, COMBINED TIPPER

Applies to 7455001-09 [7305106-01]

Ref.	Part No.	Qty	Part Description	Notes
1	4150322	1	CLIP	
2	6004138	1	STAND	
3	6110192	1	COVER	
4	4000527	1	BBS BUSH	
5	4000521	1	HYDRAULIC CONNECTION	
6	4000520	1	SOLENOID 12V	
7	4000057	1	MALE CONNECTOR	
8	5450020	2	PIN	
9	6700573	1	SPINDLE	
10	6004089	1	SUPPORT	
11	4000522	1	HYDRAULIC CYLINDER	
12	6500554	2	CRUTCH STICKER	
13	6004081	1	RH CLEVIS FOR TILT BED	
14	5450013	2	PIN	
15	4000058	1	STRAIGHT CONNECTOR	
16	6400039	1	HYDRAULIC HOSE	
17	4000519	1	MICROCENTRAL HYDRAULIC UNIT	
18	6109856	1	HYDRAULIC PUMP SUPPORT	
19	6004137	1	HYDRAULIC CYLINDER SUPPORT	
20	6200300	1	HARNESS	
21	6110161	2	STOP	
22	6004080	1	LH CLEVIS FOR TILT BED	
23	3450441	5	CLIP	
24	6200312	1	HARNESS	
25	6004090	1	SUPPORT	
26	4150988	1	REMOTE SUPPORT	
27	3450485	1	REMOTE CONTROL	
28	6500521	1	STICKER	

OPTION, CANVAS FOR DROPSIDE PICK UP

Applies to 7455001-09 [7305103-01]



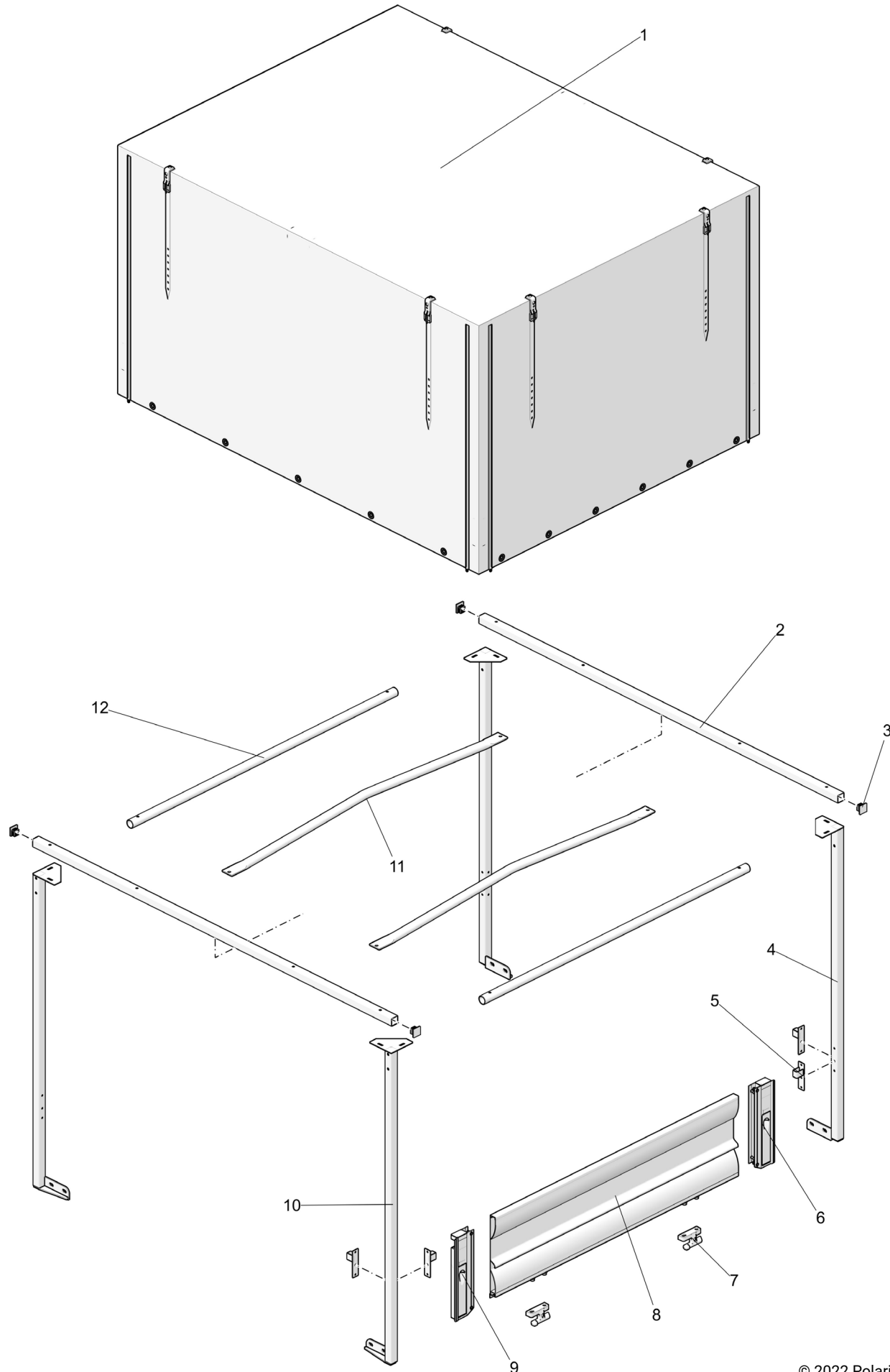
OPTION, CANVAS FOR DROPSIDE PICK UP

Applies to 7455001-09 [7305103-01]

Ref.	Part No.	Qty	Part Description	Notes
1	6004623	1	CANVAS ON TIPPER	
2	6110277	2	TUBE 30X30	
3	4150256	4	CAP	
4	6004164	2	RH PILLAR	
5	2100420	1	RH SIDE WALL TIP	
6	2100387	2	HINGE - TRANNION	
7	4200454	1	REAR GATE FOR CANVAS	INCLUDES 5, 6, 8
8	2100421	1	LH SIDE WALL TIP	
9	2100275	4	LOCKING HOOK	
10	6004163	2	LH PILLAR	
11	6110278	3	TUBE Ø30	
12	6110276	2	TUBE Ø30	

OPTION, CANVAS ON DROPSIDE PICK UP / MIXED

Applies to 7455001-09 [7305104-01]



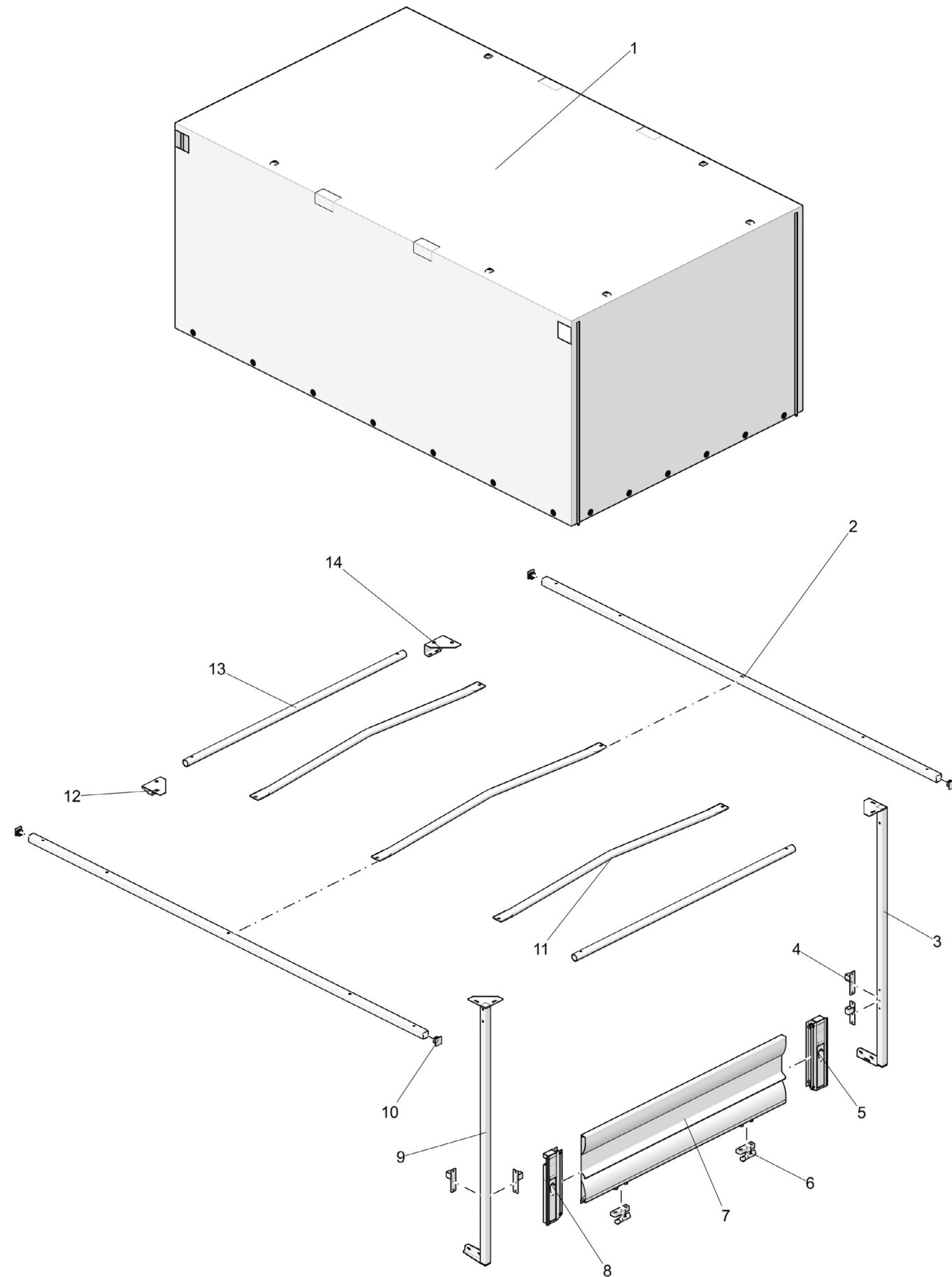
OPTION, CANVAS ON DROPSIDE PICK UP / MIXED

Applies to 7455001-09 [7305104-01]

Ref.	Part No.	Qty	Part Description	Notes
1	6004624	1	COMBINE CANVAS ON TIPPER	
2	6110354	2	TUBE	
3	4150256	4	CAP	
4	6004164	2	RH PILLAR	
5	2100275	4	LOCKING HOOK	
6	2100420	1	RH SIDE WALL TIP	
7	2100387	2	HINGE - TRANNION	
8	4200454	1	REAR GATE FOR CANVAS	INCLUDES 6, 7, 9
9	2100421	1	LH SIDE WALL TIP	
10	6004163	2	LH PILLAR	
11	6110278	2	TUBE	
12	6110276	2	TUBE	

OPTION, CANVAS ON UPPER METAL CAGE

Applies to 7455001-09 [7305053-01]



OPTION, CANVAS ON UPPER METAL CAGE

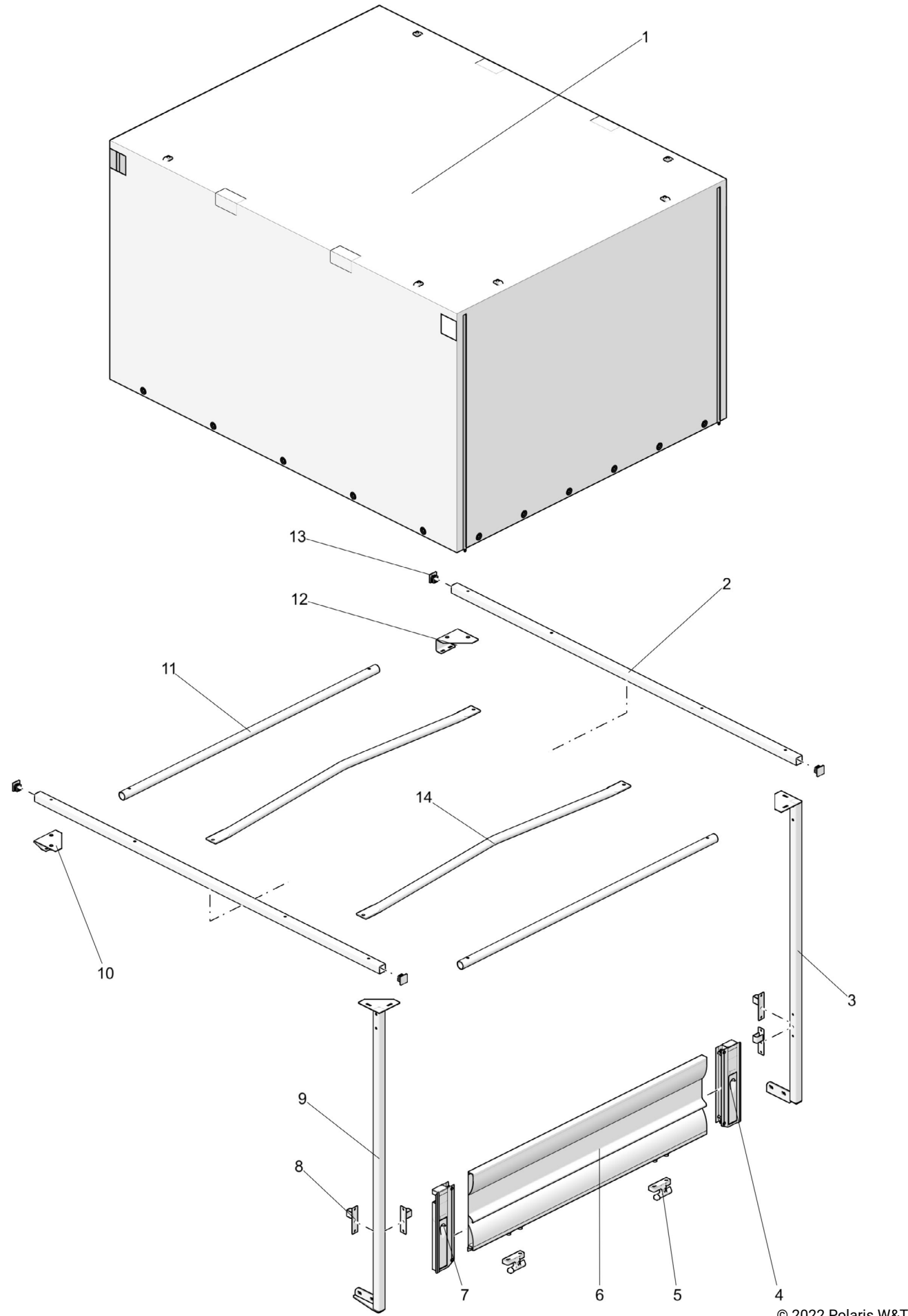
Applies to 7455001-09 [7305053-01]

Ref.	Part No.	Qty	Part Description	Notes
1	6004623	1	CANVAS ON CAGE	
2	6110277	2	TUBE	
3	6004164	1	RH PILLAR	
4	2100275	4	LOCKING HOOK	
5	2100420	1	RH SIDE WALL TIP	
6	2100387	2	HINGE - TRUNNION	
7	4200454	1	REAR GATE FOR CANVAS	INCLUDES 6, 7, 9
8	2100421	1	LH SIDE WALL TIP	
9	6004163	1	LH PILLAR	
10	4150256	4	CAP	
11	6110278	3	TUBE	
12	6004621	1	BRACKET FRAME CANVAS LH	
13	6110276	2	TUBE	
14	6004622	1	BRACKET FRAME CANVAS RH	



OPTION, CANVAS ON UPPER METAL CAGE / MIXED

Applies to 7455001-09 [7305054-01]



OPTION, CANVAS ON UPPER METAL CAGE / MIXED

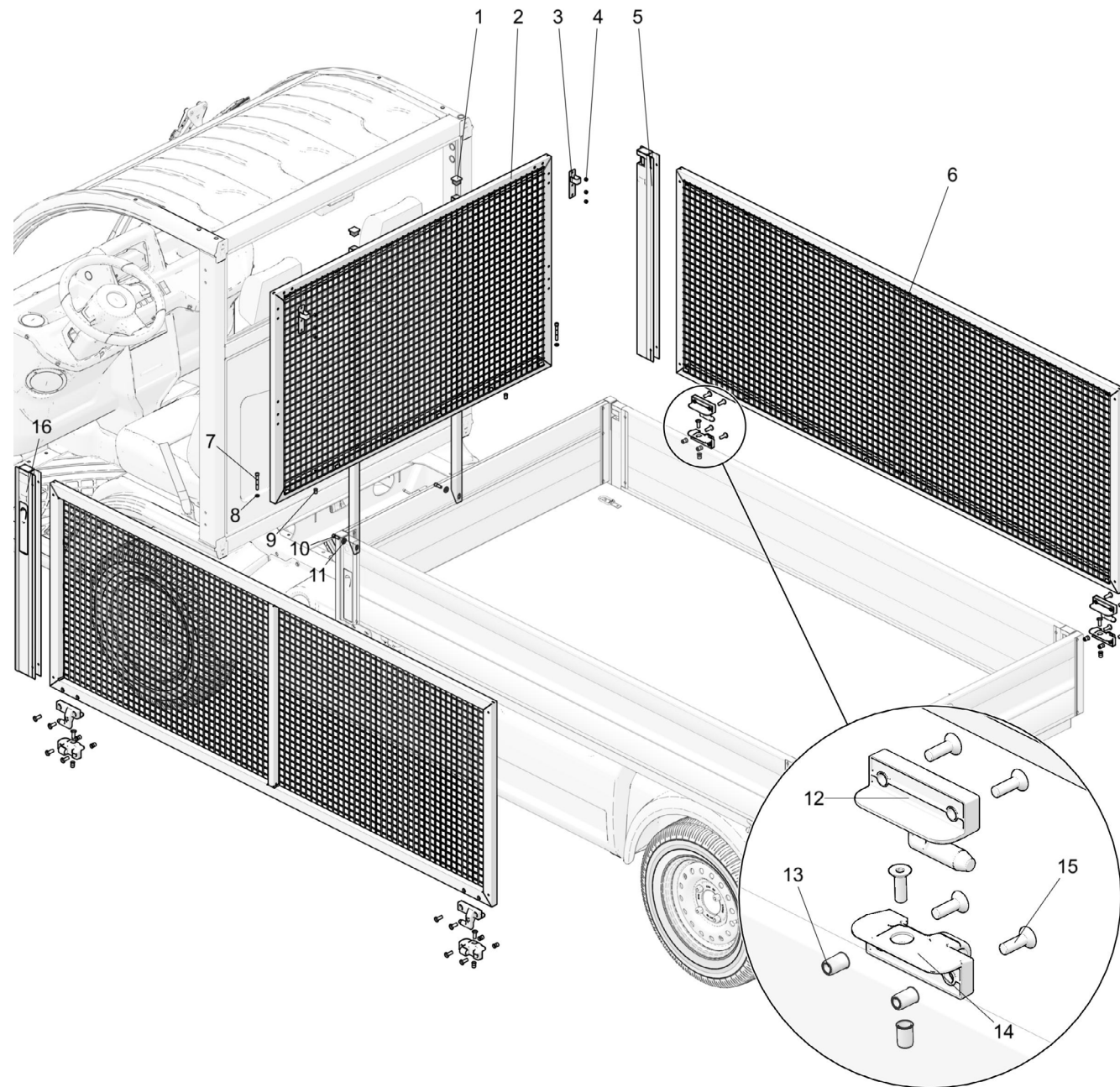
Applies to 7455001-09 [7305054-01]

Ref.	Part No.	Qty	Part Description	Notes
1	6004624	1	CANVAS ON COMBINE CAGE G4	
2	6110354	2	TUBE	
3	6004164	1	RH PILLAR	
4	2100420	1	RH SIDE WALL TIP	
5	2100387	2	HINGE - TRANNION	
6	4200454	1	REAR GATE FOR CANVAS	INCLUDES 5, 6, 8
7	2100421	1	LH SIDE WALL TIP	
8	2100275	4	LOCKING HOOK	
9	6004163	1	LH PILLAR	
10	6004621	1	BRACKET FRAME CANVAS LH	
11	6110276	2	TUBE Ø30	
12	6004622	1	BRACKET FRAME CANVAS RH	
13	4150256	4	CAP	
14	6110278	2	TUBE	

**OPTION, GRATED UPPER METAL CAGE**

**Applies to 7455001-09 [7305109-02]**

\* Illustrated on G4L vehicle. The grated upper metal cage also applies to G4M vehicle.



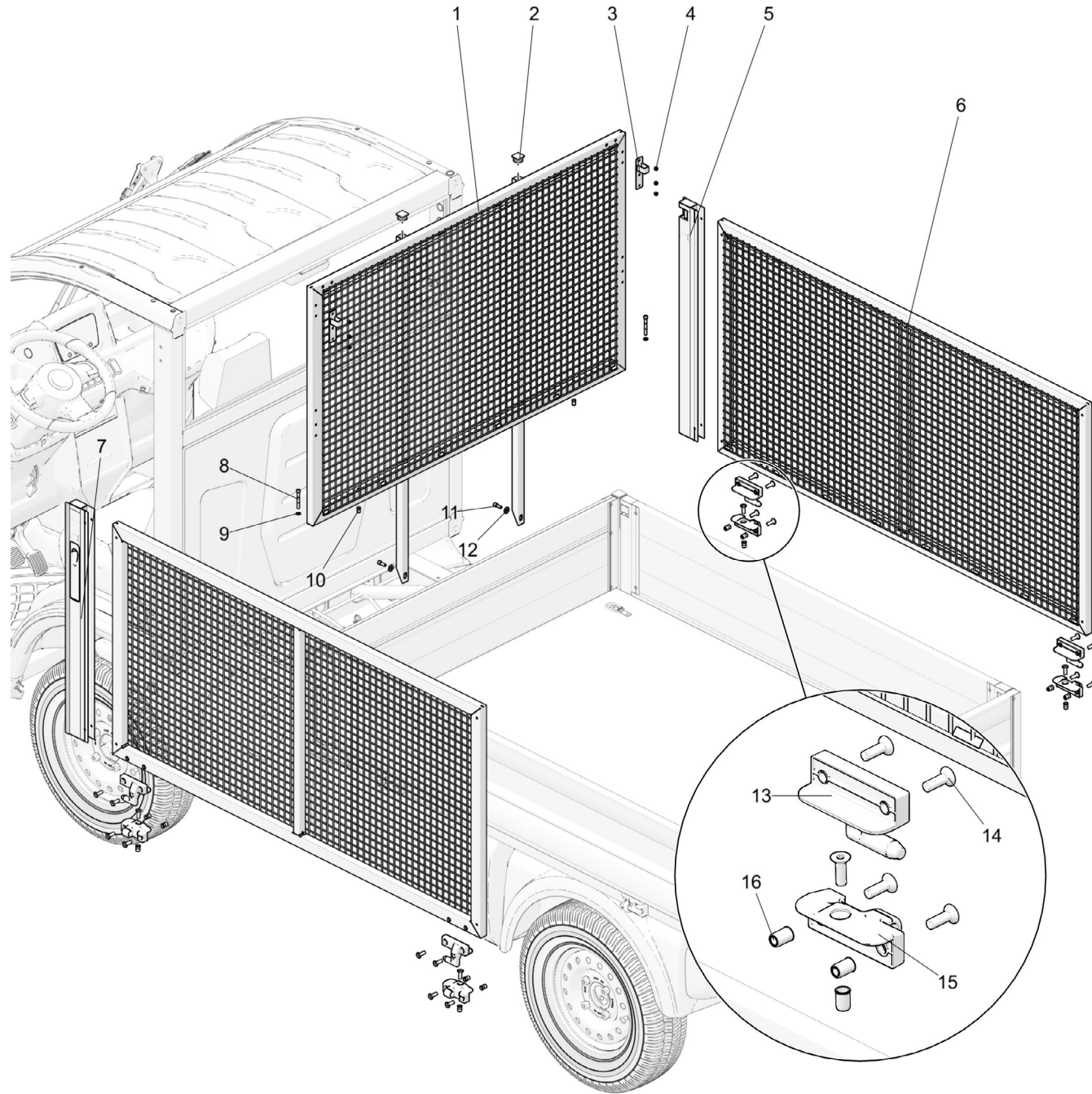
**OPTION, GRATED UPPER METAL CAGE**

**Applies to 7455001-09 [7305109-02]**

Ref.	Part No.	Qty	Part Description	Notes
1	4150106	2	PLUG	
2	6004398	1	FRONT GRID	
3	2100275	2	LOCKING HOOK	
4	5400021	7	STAINLESS STEEL RIVET 4.8X10	
5	6201476	1	RH LOCK	
6	6004399	2	LATERAL DROP SIDE	
7	5000061	2	BOLT	
8	5300006	2	M6 WASHER	
9	5250031	2	INSERT	
10	5000013	2	BOLT	
11	5300019	2	WASHER	
12	6111569	4	HINGE TRUNNION	
13	5250044	12	INSERT	
14	6111570	4	HINGE BASE CAGE	
15	5100134	20	M8X25 TORX SCREW	
16	6201475	1	LH LOCK	

OPTION, GRATED METAL CAGE / MIXED

Applies to 7455001-09 [7305110-02]



OPTION, GRATED METAL CAGE / MIXED

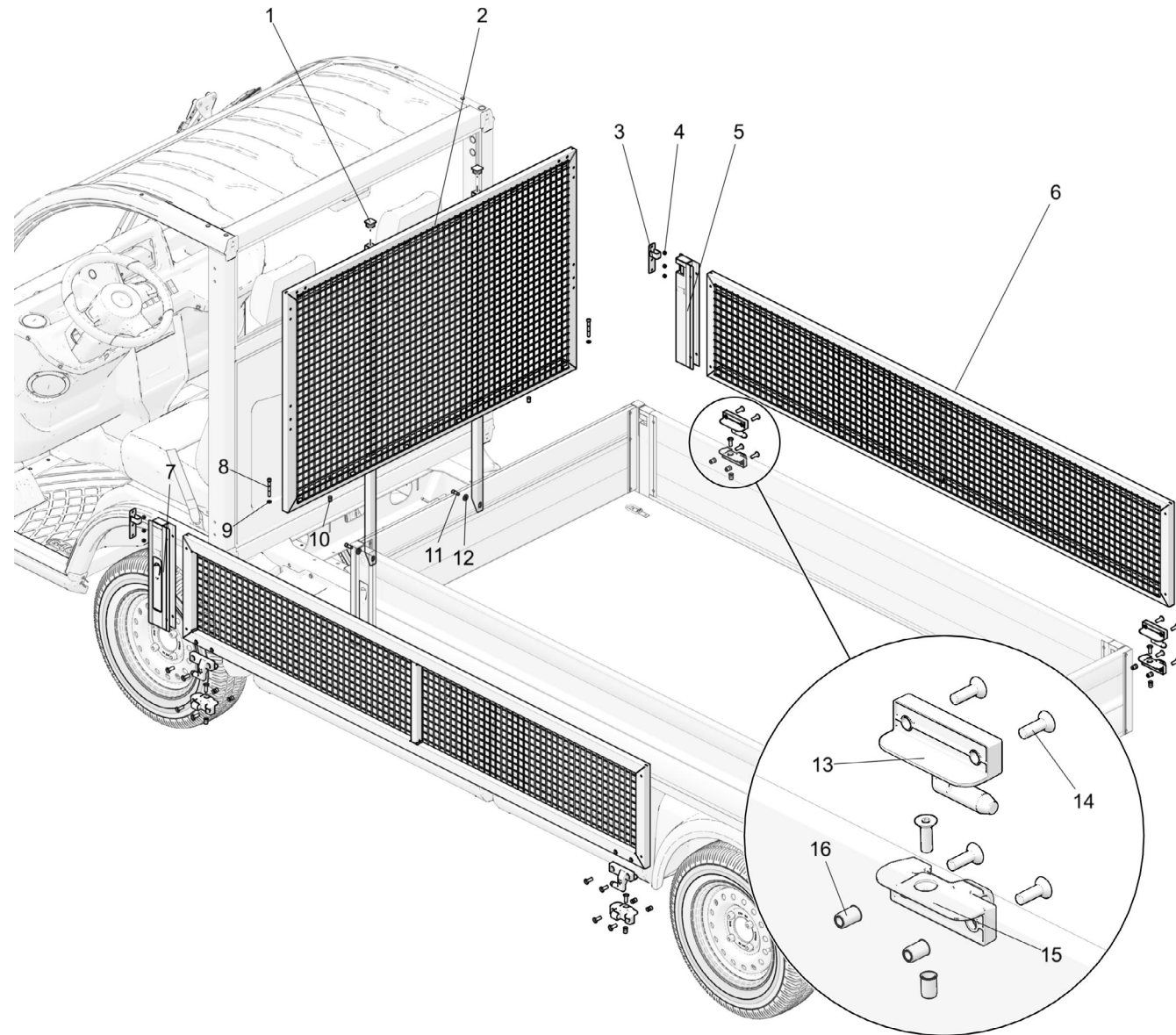
Applies to 7455001-09 [7305110-02]

Ref.	Part No.	Qty	Part Description	Notes
1	6004398	1	FRONT GRID	
2	4150106	2	PLUG	
3	2100275	2	LOCKING HOOK	
4	5400021	6	STAINLESS STEEL RIVET 4.8X10	
5	6201476	1	RH LOCK	
6	6004400	2	LATERAL DROP SIDE	
7	6201475	1	LH LOCK	
8	5000061	2	BOLT	
9	5300006	2	M6 WASHER	
10	5250031	2	INSERT	
11	5000013	2	BOLT	
12	5300019	2	WASHER	
13	6111569	4	HINGE TRUNNION	
14	5100134	20	M8X25 TORX SCREW	
15	6111570	4	HINGE BASE CAGE	
16	5250044	12	INSERT	

OPTION, GRATED UPPER METAL CAGE MID HEIGHT

Applies to 7455001-09 [7305111-01]

\* Illustrated on G4L vehicle. The grated upper metal cage mid height also applies to G4M vehicle.



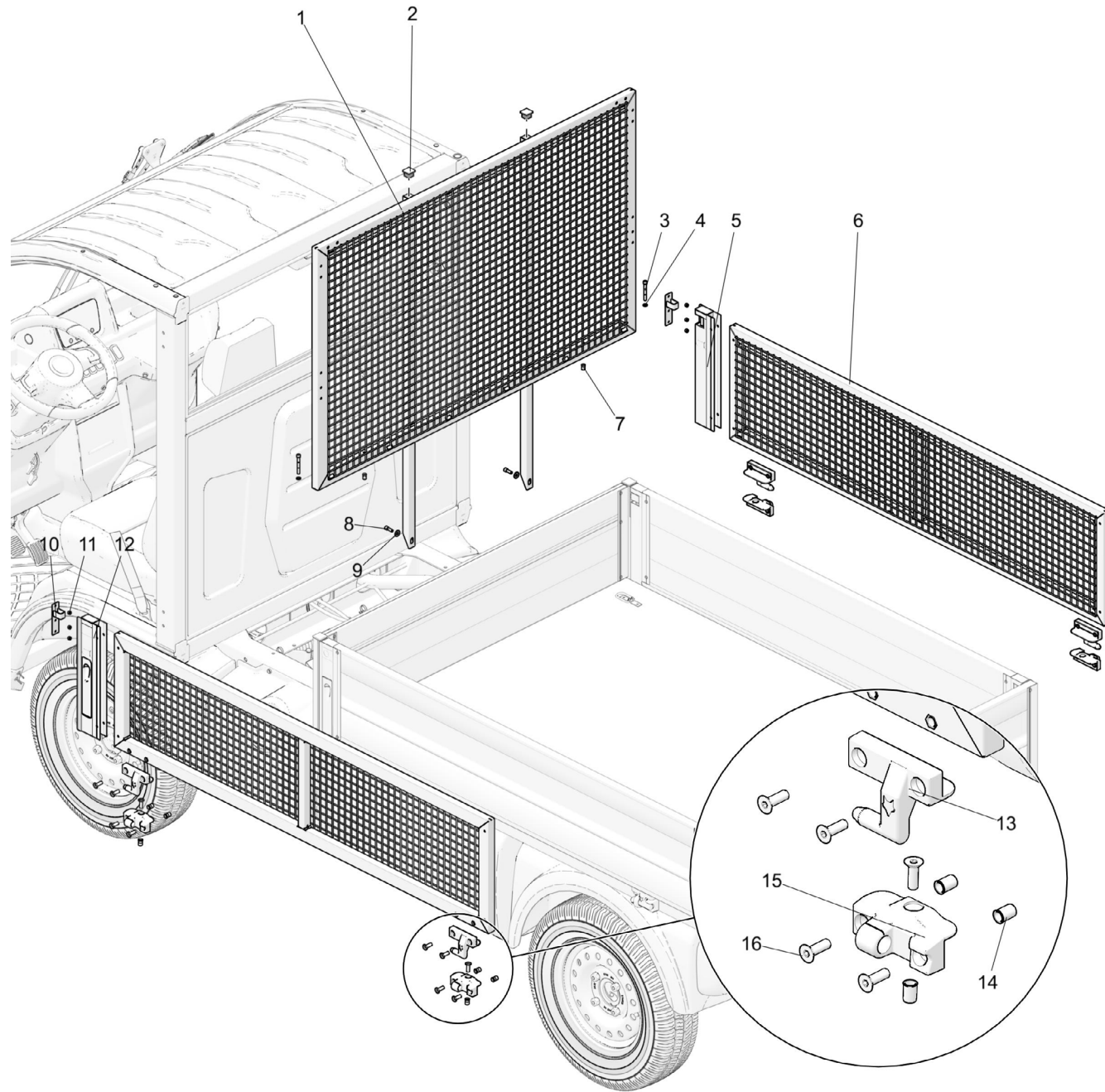
OPTION, GRATED UPPER METAL CAGE MID HEIGHT

Applies to 7455001-09 [7305111-01]

Ref.	Part No.	Qty	Part Description	Notes
1	4150106	2	PLUG	
2	6004398	1	FRONT GRID	
3	2100275	2	LOCKING HOOK	
4	5400021	6	STAINLESS STEEL RIVET 4.8X10	
5	6201481	1	RH LOCK	
6	6004613	2	LATERAL HALF HEIGHT MESH	
7	6201480	1	LH LOCK	
8	5000061	2	BOLT	
9	5300006	2	M6 WASHER	
10	5250031	2	INSERT	
11	5000013	2	BOLT	
12	5300019	2	WASHER	
13	6111569	4	HINGE TRUNNION	
14	5100134	20	M8X25 TORX SCREW	
15	6111570	4	HINGE BASE CAGE	
16	5250044	12	INSERT	

OPTION, GRATED MID-HEIGHT METAL CAGE / MIXED

Applies to 7455001-09 [7305112-01]



OPTION, GRATED MID-HEIGHT METAL CAGE / MIXED

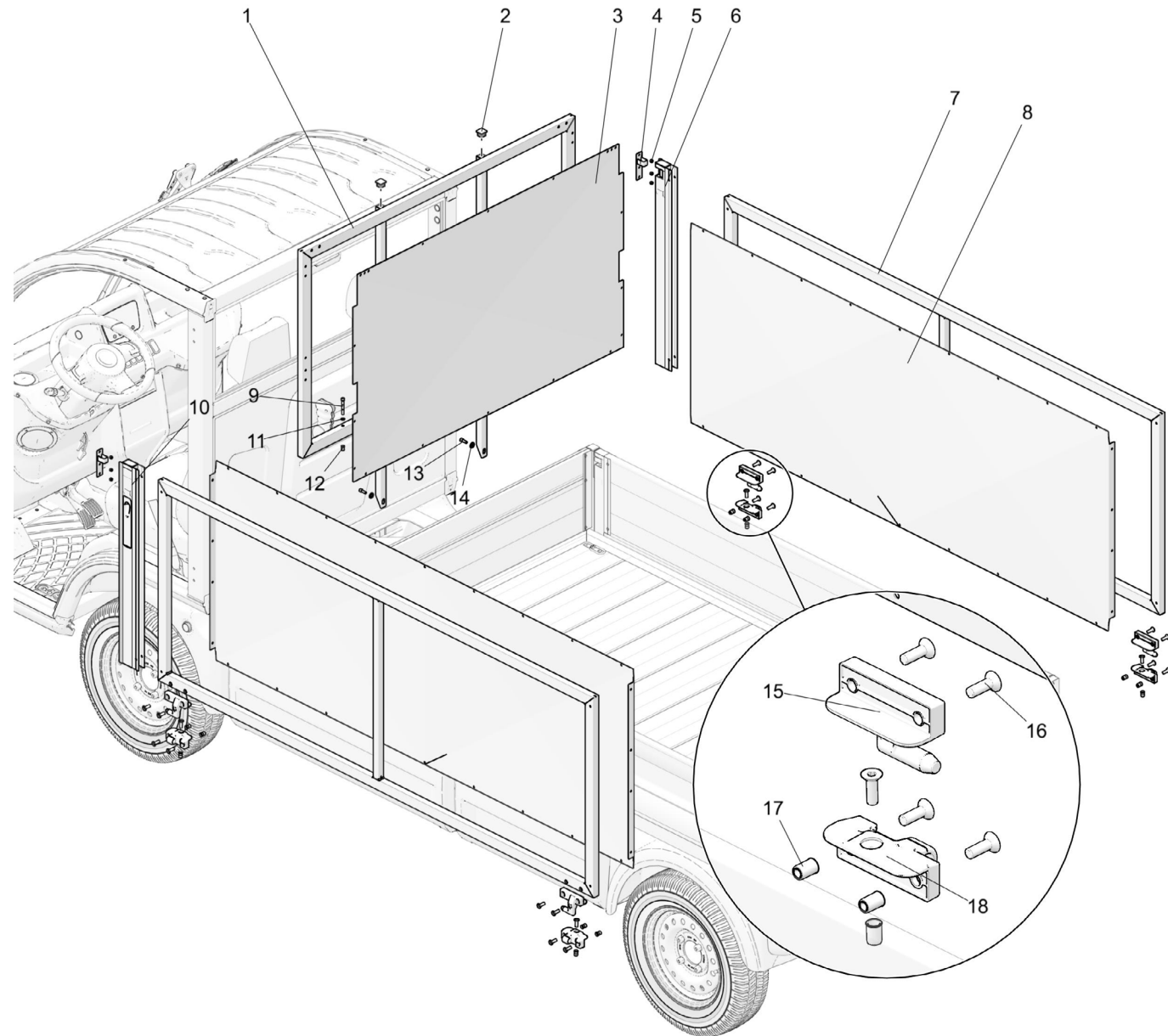
Applies to 7455001-09 [7305112-01]

Ref.	Part No.	Qty	Part Description	Notes
1	6004398	1	FRONT GRID	
2	4150106	2	PLUG	
3	5000061	2	BOLT	
4	5300006	2	M6 WASHER	
5	6201481	1	RH LOCK	
6	6004614	2	LATERAL HALF HEIGHT MESH - COMBINE	
7	5250031	2	INSERT	
8	5000013	2	BOLT	
9	5300019	2	WASHER	
10	2100275	2	LOCKING HOOK	
11	5400021	6	STAINLESS STEEL RIVET 4.8X10	
12	6201480	1	LH LOCK	
13	6111569	4	HINGE TRUNNION	
14	5250044	6	INSERT	
15	6111570	4	HINGE BASE CAGE	
16	5100134	10	M8X25 TORX SCREW	

**OPTION, SOLID UPPER METAL CAGE**

**Applies to 7455001-09 [7305113-01]**

\* Illustrated on G4L vehicle. The solid upper metal cage also applies to G4M vehicle.



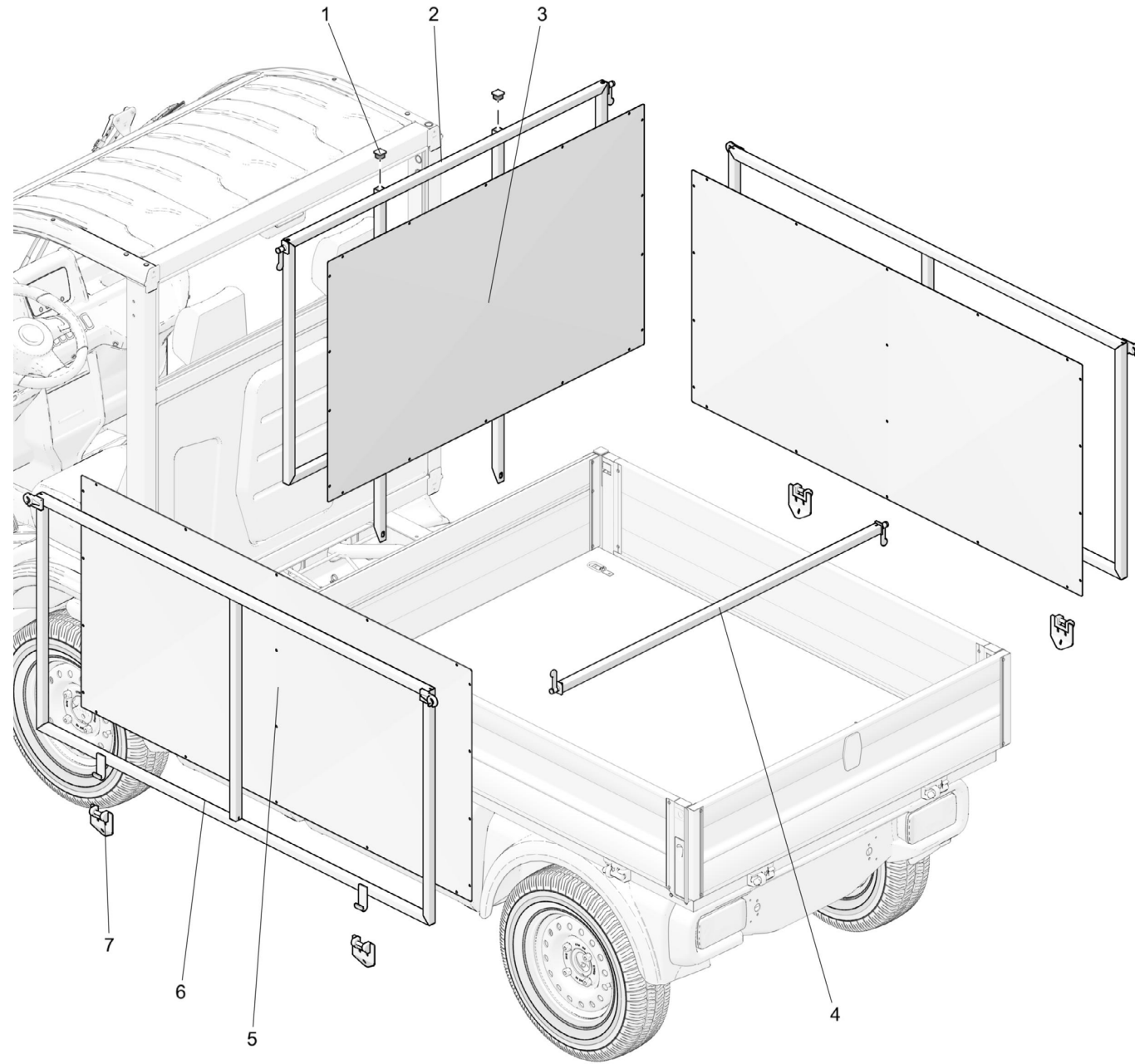
**OPTION, SOLID UPPER METAL CAGE**

**Applies to 7455001-09 [7305113-01]**

Ref.	Part No.	Qty	Part Description	Notes
1	6004616	1	FRONT EMPTY CAGE	
2	4150106	2	PLUG	
3	6112605	1	ALUMINIUM FRONT SHEET	
4	2100275	2	LOCKING HOOK	
5	5400021	6	STAINLESS STEEL RIVET 4.8X10	
6	6201476	1	RH LOCK	
7	6004617	2	LATERAL EMPTY CAGE	
8	6112606	2	ALUMINIUM SIDE SHEET - G4	
9	5000061	2	BOLT	
10	6201475	1	LH LOCK	
11	5300006	2	M6 WASHER	
12	5250031	2	INSERT	
13	5000013	2	BOLT	
14	5300019	2	WASHER	
15	6111569	4	HINGE TRUNNION	
16	5100134	20	M8X25 TORX SCREW	
17	5250044	12	INSERT	
18	6111570	4	HINGE BASE CAGE	

OPTION, SOLID METAL CAGE / MIXED

Applies to 7455001-09 [7305114]



OPTION, SOLID METAL CAGE / MIXED

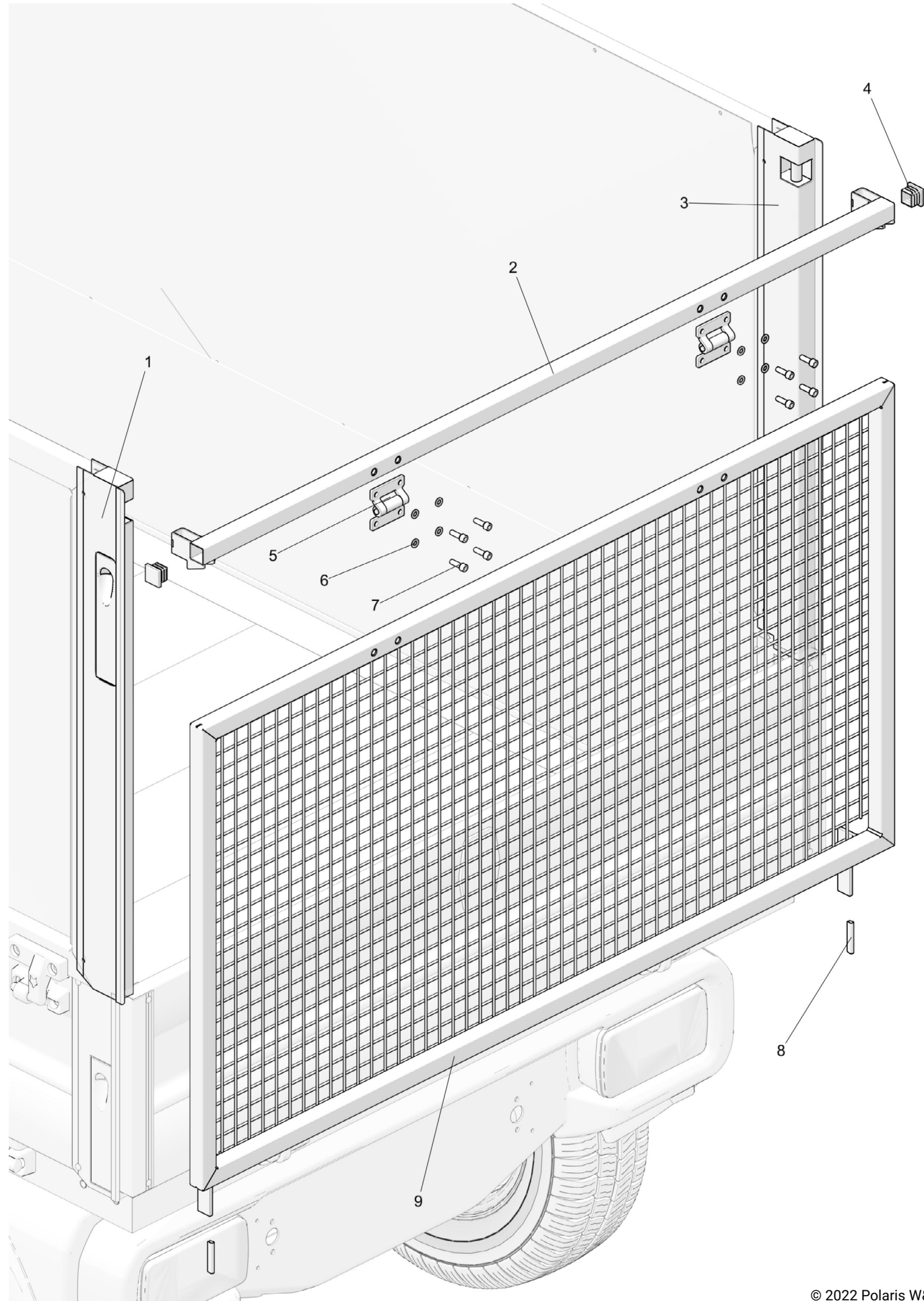
Applies to 7455001-09 [7305114]

Ref.	Part No.	Qty	Part Description	Notes
1	4150106	2	PLUG	
2	6004172	1	WIDE EMPTY FRONT RAISER	
3	6110335	1	SOLID ALUMINIUM CAGE	
4	6004086	1	REAR CROSSMEMBER	
5	6110337	2	SOLID ALUMN CAGE	
6	6004174	2	EMPTY LONG SIDE RAISER	
7	6001406	4	REMOVABLE HINGE	



OPTION, REAR GRATED METAL CAGE

Applies to 7455001-09 [7305115-01]



© 2022 Polaris W&T

OPTION, REAR GRATED METAL CAGE

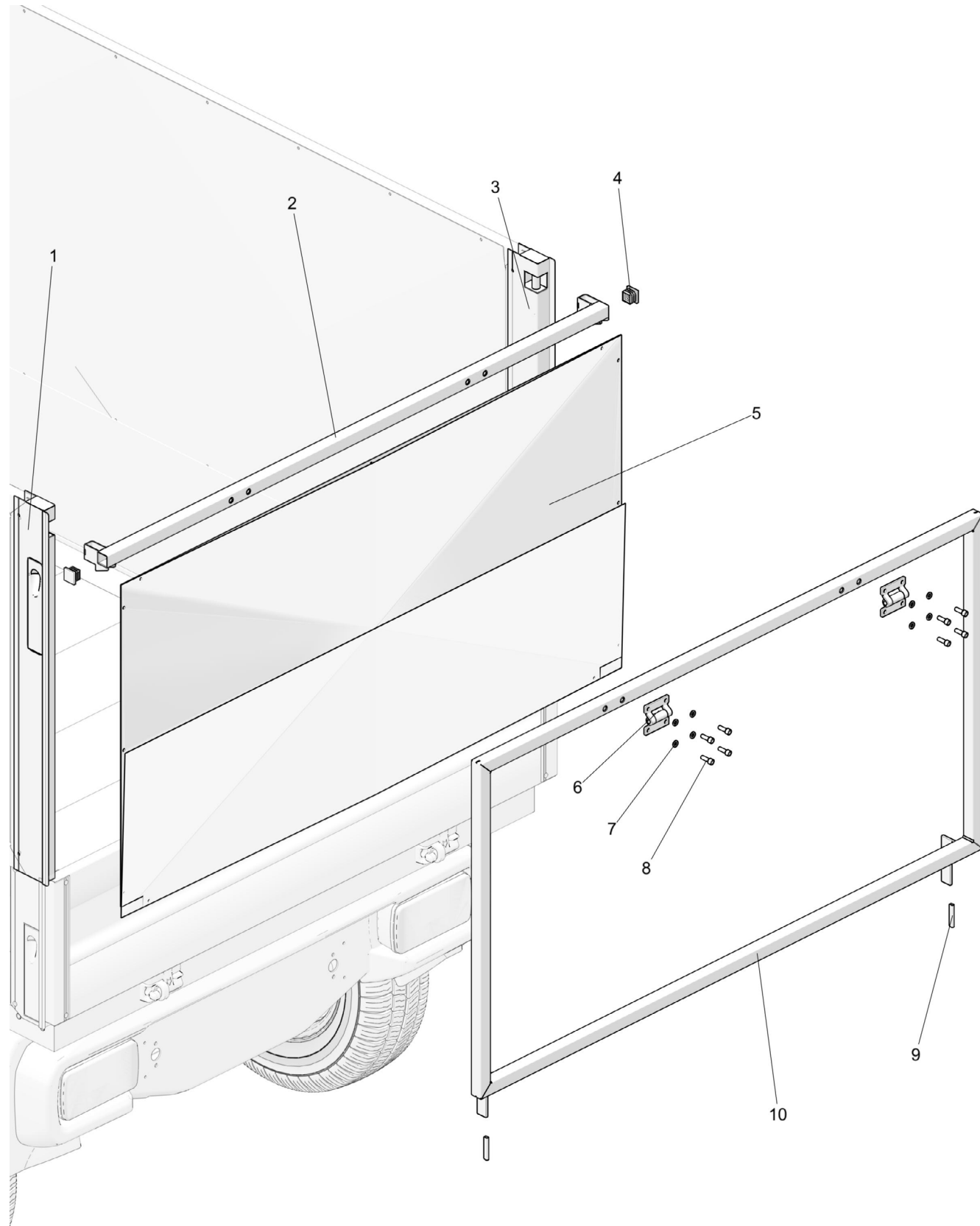
Applies to 7455001-09 [7305115-01]

Ref.	Part No.	Qty	Part Description	Notes
1	6201476	1	RH LOCK	
2	6004466	1	REAR CROSS BAR	
3	6201475	1	LH LOCK	
4	4150106	2	PLUG	
5	4150355	2	STAINLESS STEEL HINGE	
6	5300006	8	M6 WASHER	
7	5100046	8	BOLT	
8	7002233	6	SEAL COVER	
9	6004454	1	REAR GRID	



OPTION, REAR SOLID METAL CAGE

Applies to 7455001-09 [7305116-01]



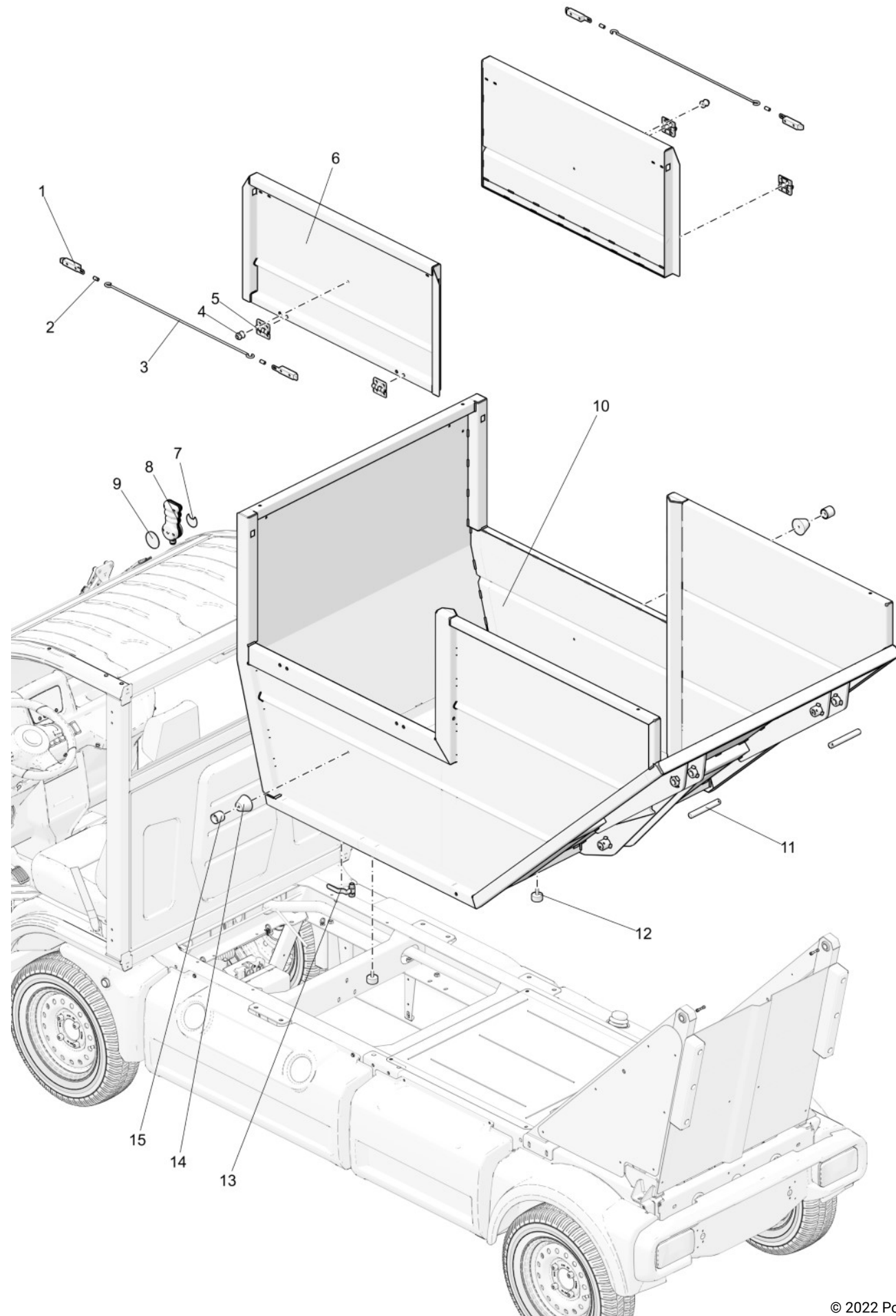
OPTION, REAR SOLID METAL CAGE

Applies to 7455001-09 [7305116-01]

Ref.	Part No.	Qty	Part Description	Notes
1	6201476	1	RH LOCK	
2	6004466	1	REAR CROSS BAR	
3	6201475	1	LH LOCK	
4	4150106	2	PLUG	
5	6112609	1	ALUMINIUM REAR SHEET	
6	4150355	2	STAINLESS STEEL HINGE	
7	5300006	8	M6 WASHER	
8	5100046	8	BOLT	
9	7002233	4	SEAL COVER	
10	6004620	1	REAR EMPTY CAGE	

OPTION, WASTE TIPPING COLLECTOR

Applies to 7455001-09 [7305119-01]



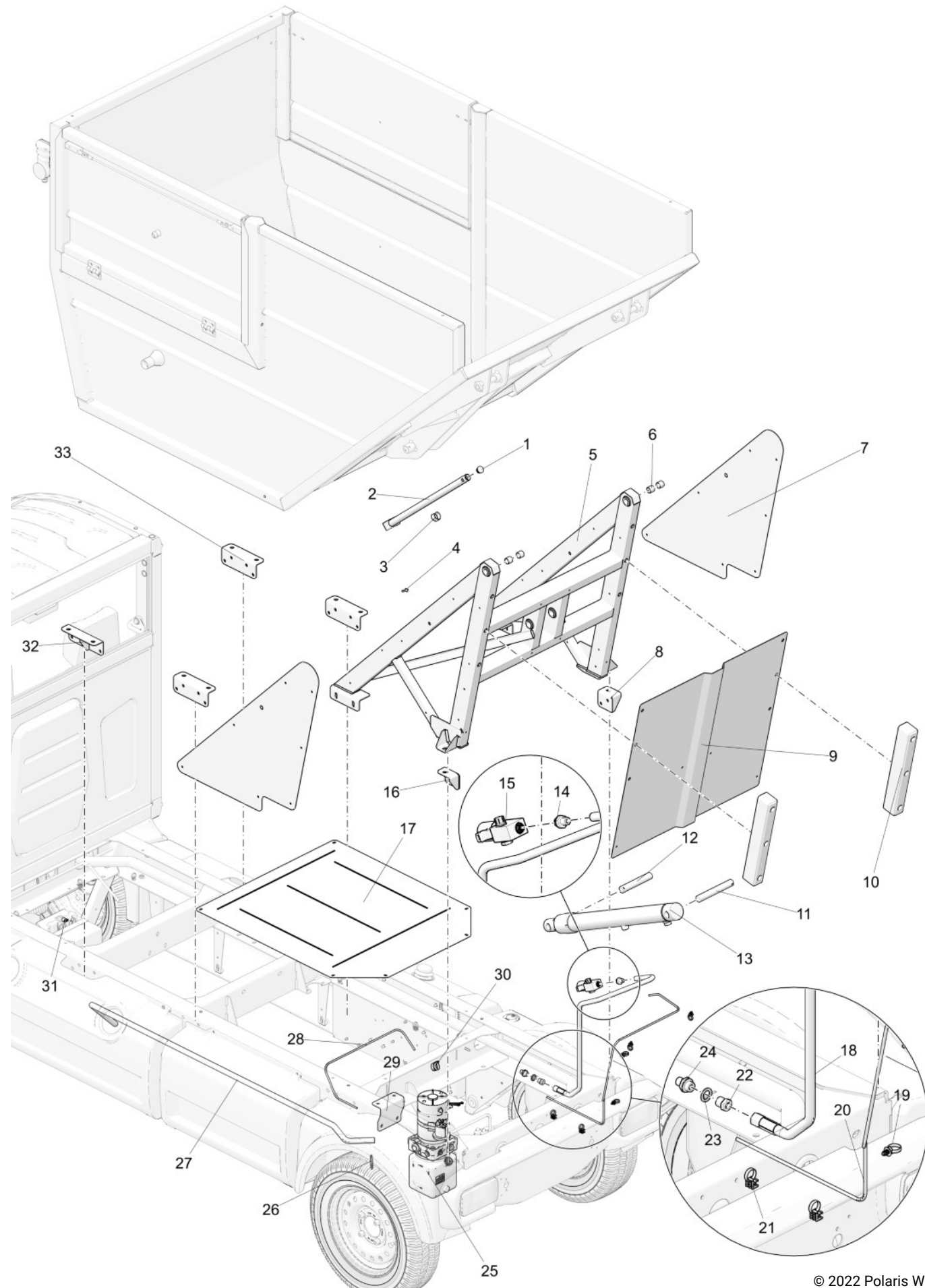
OPTION, WASTE TIPPING COLLECTOR

Applies to 7455001-09 [7305119-01]

Ref.	Part No.	Qty	Part Description	Notes
1	4150371	4	SPRING TAB	
2	4150936	4	CLIP	
3	4250176	2	HALYARD	
4	4150126	2	COMPLETE RUBBER CLIP	
5	4151043	4	HINGE	
6	6004321	2	WASTE TIPPING COLLECTOR DOOR	
7	6500521	1	STICKER	
8	3450485	1	REMOTE CONTROL	
9	4150988	1	REMOTE SUPPORT	
10	6004317	1	WASTE TIPPING COLLECTOR	
11	6700001	2	ROD	
12	4150356	2	RUBBER STOP	
13	4000166	1	1/4 TURN VALVE	
14	6111120	2	SPACER	
15	4150126	2	COMPLETE RUBBER CLIP	

OPTION, WASTE TIPPING COLLECTOR

Applies to 7455001-09 [7305119-01]



© 2022 Polaris W&T

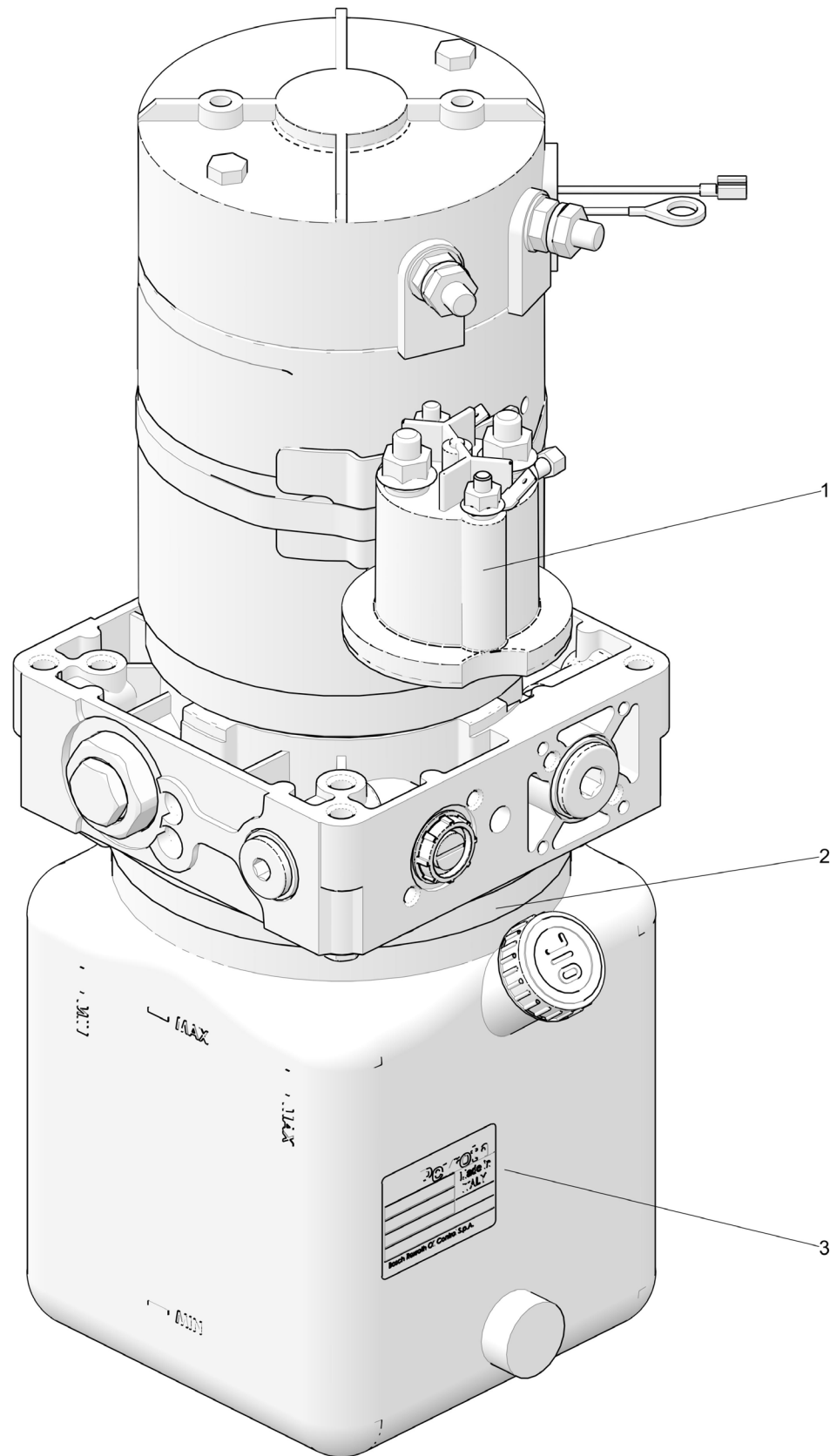
OPTION, WASTE TIPPING COLLECTOR

Applies to 7455001-09 [7305119-01]

Ref.	Part No.	Qty	Part Description	Notes
1	4150299	1	PLUG	
2	6003763	1	TIPPER STRUT	
3	4150322	1	CLIP	
4	6500554	1	CRUTCH STICKER	
5	6004318	1	WASTE TIPPER BRACKET	
6	4150092	4	BEARING BUSH	
7	6111087	2	SIDE PANEL	
8	6109855	1	SUPPORT	
9	6111088	1	BACK PANEL	
10	4150235	2	RUBBER STOP	
11	6700580	1	ROD	
12	6700579	1	ROD	
13	4000528	1	HYDRAULIC CYLINDER	
14	4000057	1	MALE CONNECTOR	
15	4000520	1	SOLENOID 12V	
16	6109854	1	SUPPORT	
17	6111115	1	BATTERY COVER	
18	6400040	1	HYDRAULIC HOSE	
19	3200045	4	COLLAR	
20	6207357	1	HARNESS	
21	3450441	2	CLIP	
22	4000534	1	ADAPTATER	
23	4000117	1	BBS BUSH	
24	4000058	1	STRAIGHT CONNECTOR	
25	4000519	1	MICROCENTRAL HYDRAULIC UNIT	
26	3200005	1	COLLAR	
27	6200312	1	HARNESS	
28	6200300	1	HARNESS	
29	6109856	1	HYDRAULIC PUMP SUPPORT	
30	4150938	1	COLLAR	
31	4150989	1	COLLAR	
32	6004089	2	SUPPORT	
33	6004090	2	SUPPORT	

OPTION, WASTE TIPPING COLLECTOR

Applies to 7455001-09 [7305119-01]



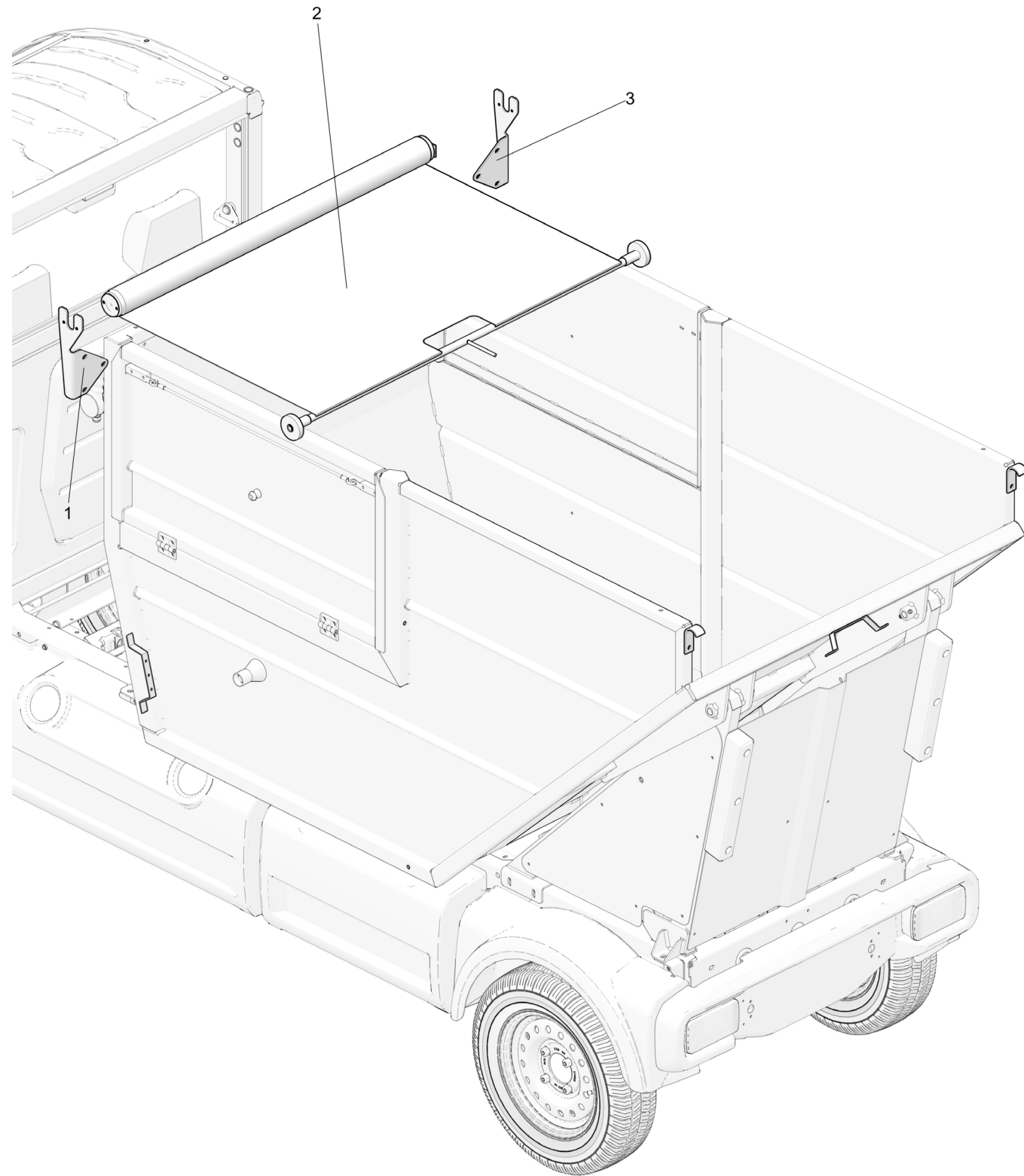
OPTION, WASTE TIPPING COLLECTOR

Applies to 7455001-09 [7305119-01]

Ref.	Part No.	Qty	Part Description	Notes
1	2100719	1	STARTING RELAY	
2	2100720	1	PLASTIC TANK 1.8 L	
3	2100721	1	ASSEMBLING FOR PLASTIC TANK	

OPTION, ROLL UP CANVAS ON WASTE TIPPING COLLECTOR

Applies to 7455001-09 [7305121]



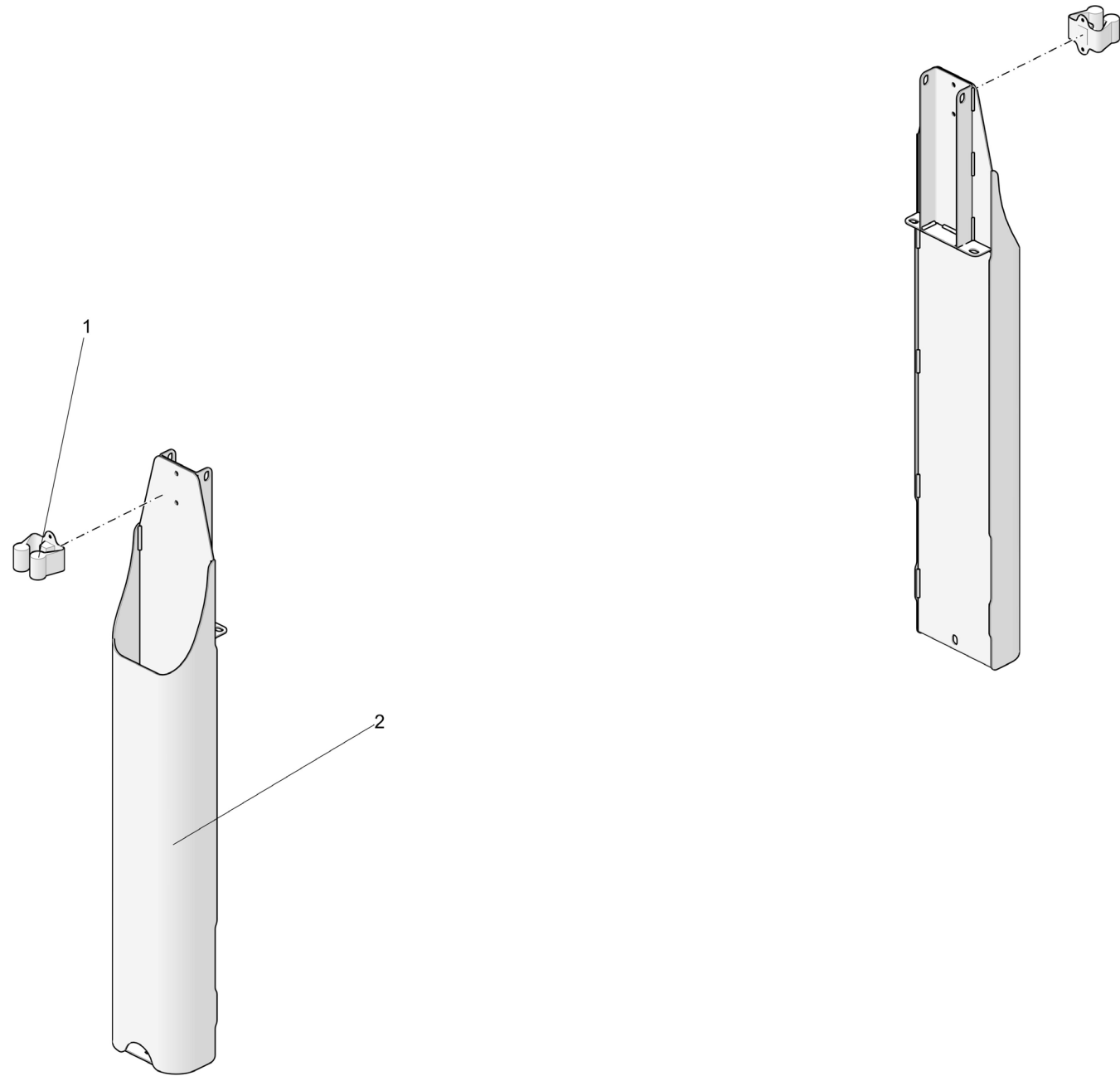
OPTION, ROLL UP CANVAS ON WASTE TIPPING COLLECTOR

Applies to 7455001-09 [7305121]

Ref.	Part No.	Qty	Part Description	Notes
1	6111212	1	SPINDLE BAG SUPPORT	
2	6207340	1	ROLL TARP	
3	6111213	1	SPINDLE BAG SUPPORT	

OPTION, 2 BROOM HOLDERS FOR WASTE TIPPING COLLECTOR

Applies to 7455001-09 [7305187]



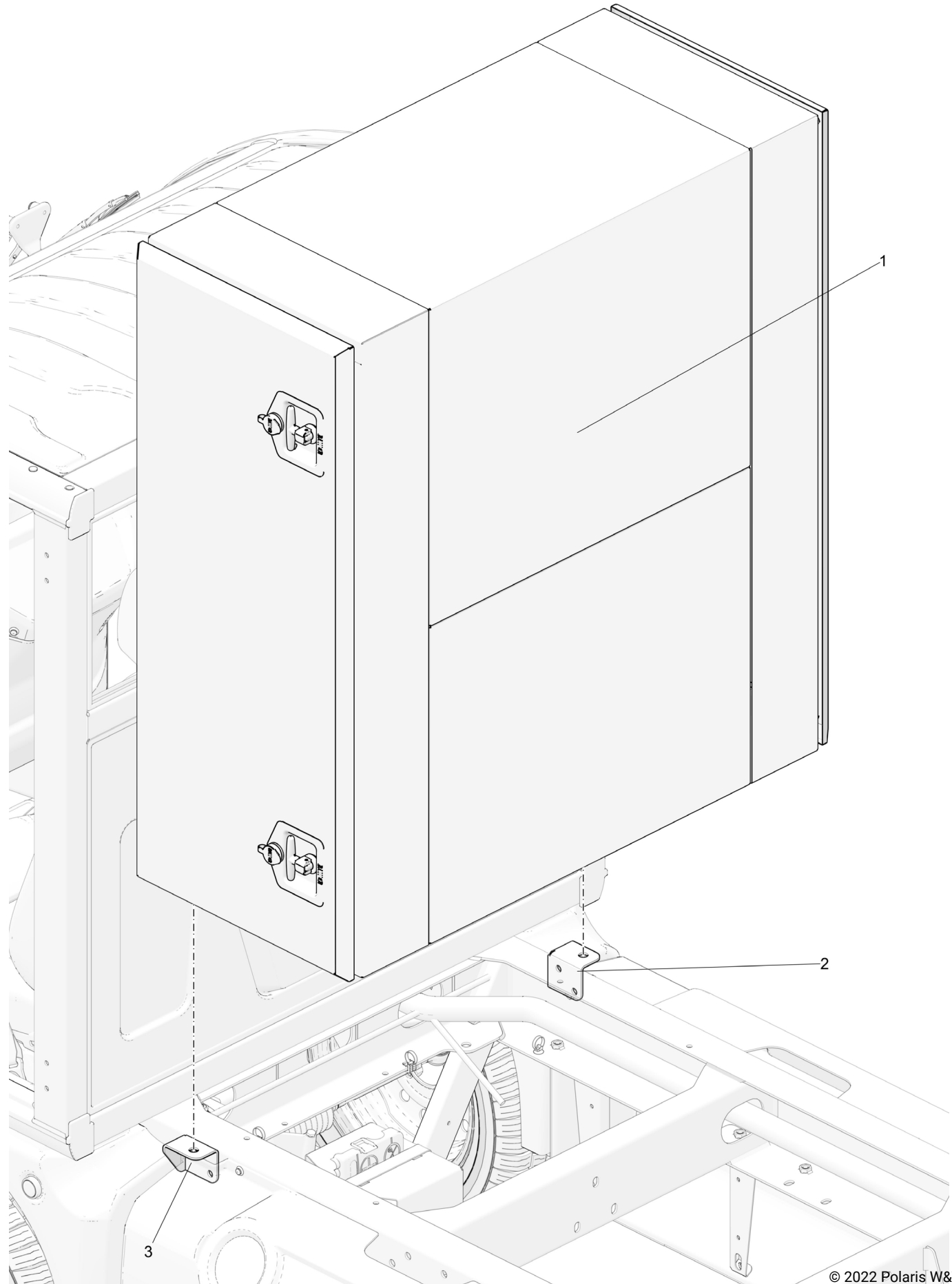
OPTION, 2 BROOM HOLDERS FOR WASTE TIPPING COLLECTOR

Applies to 7455001-09 [7305187]

Ref.	Part No.	Qty	Part Description	Notes
1	6004324	2	BRUSH HOLDER	
2	4150894	2	TOOL FASTENER	

OPTION, BOX BACKSIDE CABIN HIGH / MIXED

Applies to 7455001-09 [7305123-01]



© 2022 Polaris W&T

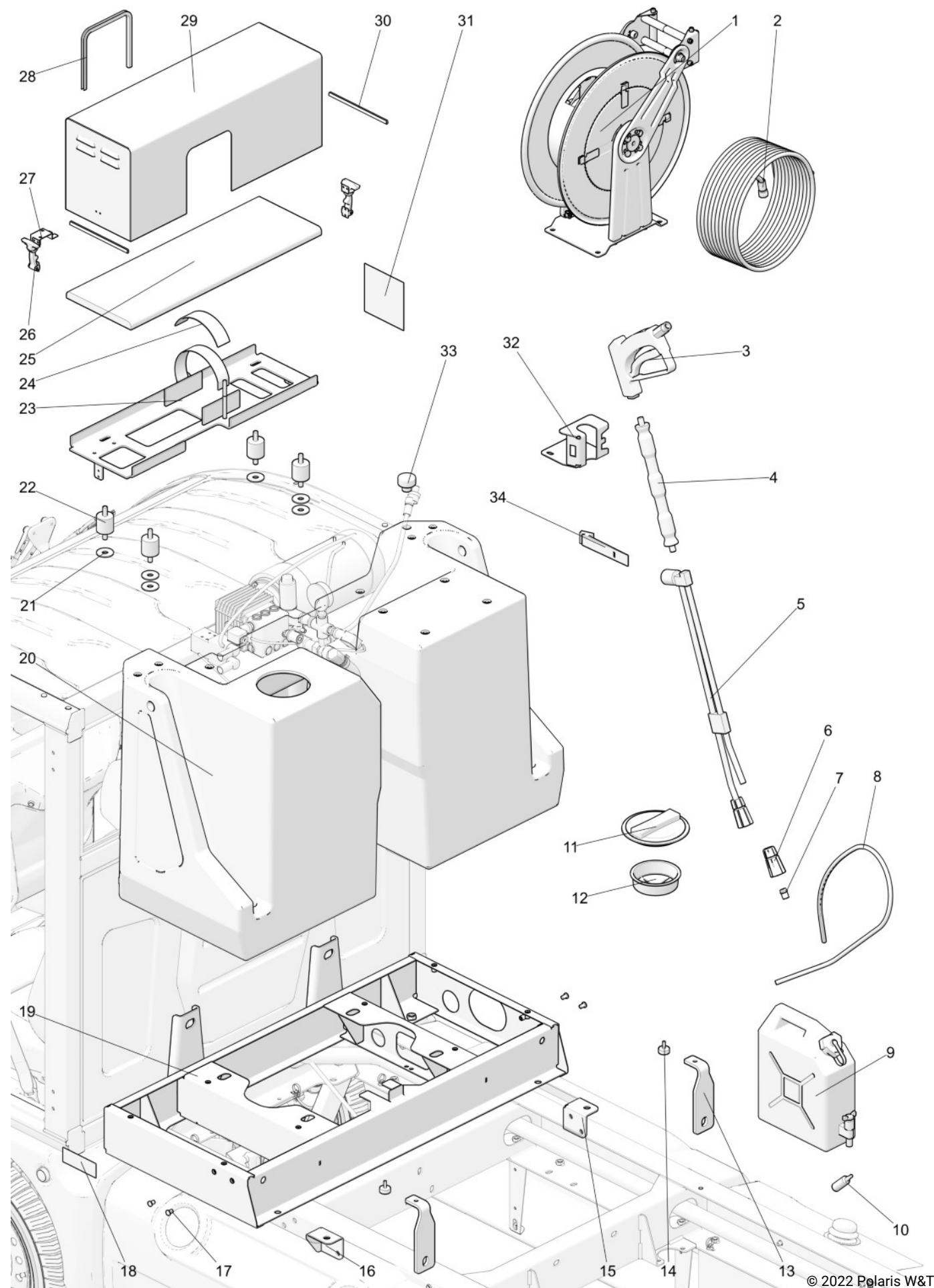
OPTION, BOX BACKSIDE CABIN HIGH / MIXED

Applies to 7455001-09 [7305123-01]

Ref.	Part No.	Qty	Part Description	Notes
1	4200483	1	REAR CAB COMPARTMENT	
2	6109854	1	SUPPORT	
3	6109855	1	SUPPORT	

OPTION, MIXED HP CLEANER 200L

Applies to 7455001-09 [7305126-01]



© 2022 Polaris W&T

OPTION, MIXED HP CLEANER 200L

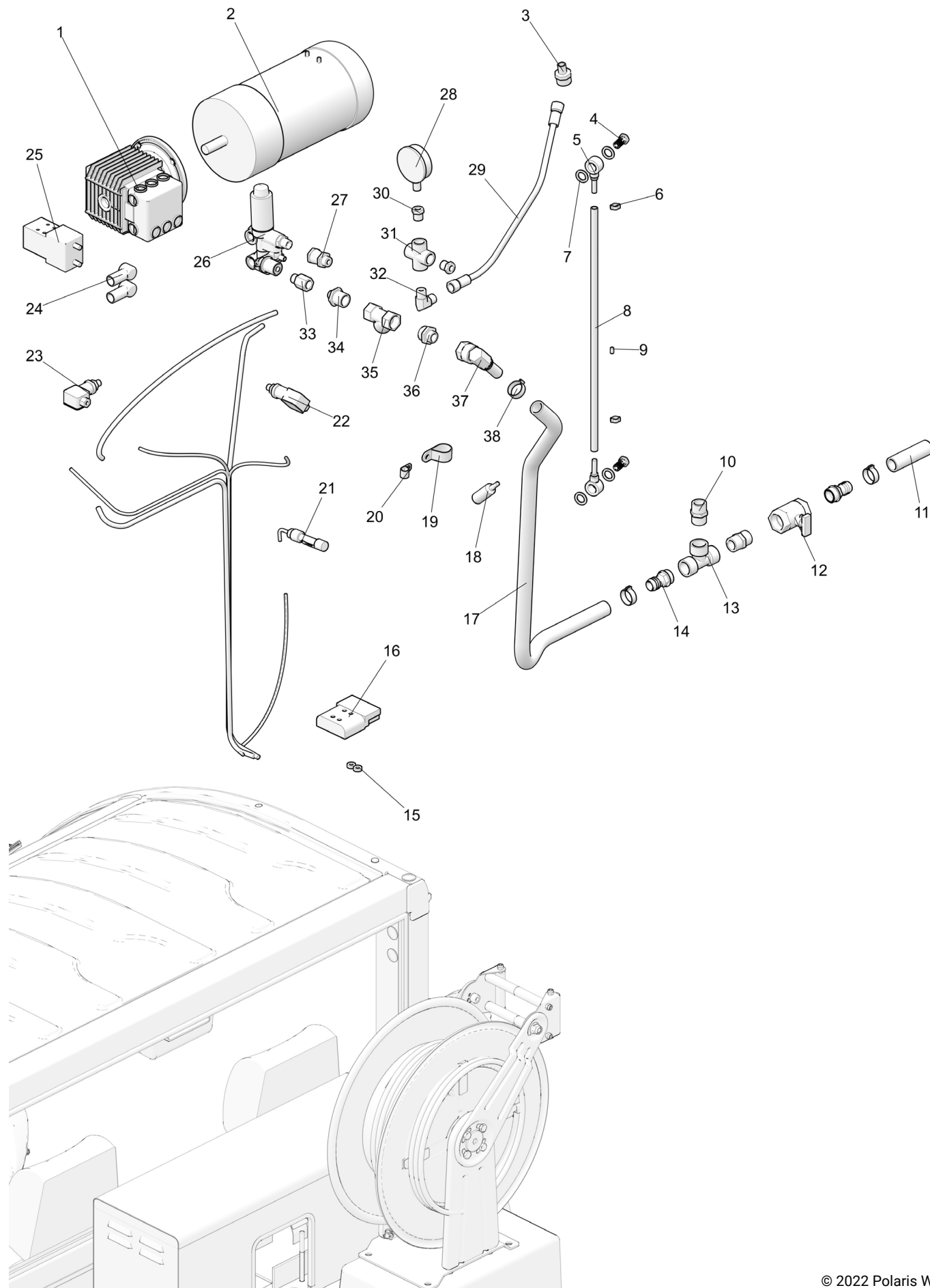
Applies to 7455001-09 [7305126-01]

Ref.	Part No.	Qty	Part Description	Notes
1	4200223	1	AUTOMATIC WINDER	
2	6400028	1	HYDRAULIC HOSE	
3	4000105	1	HP SPRAY GUN HANDLE	
4	4000350	1	GUN	
5	4000107	1	DOUBLE GUN	
6	4000144	1	NOZZLE PROTECTOR	
7	4000120	1	HIGH PRESSURE NOZZLE	
8	7001942	1	VACUUM TUBE	
9	4200133	1	FILLING DRUM (5 LITERS)	
10	4000216	1	SUCTION FILTER	
11	4000445	1	PLUG + BASE Ø140	
12	4000446	1	FILTER Ø140	
13	6108250	2	TANK FASTENING HOOK	
14	4150902	2	CAOUTCHOUC STOP	
15	6109854	1	SUPPORT	
16	6109855	1	SUPPORT	
17	4150598	4	PINE CLIP	
18	6500147	1	SERIAL N° STICKER PLATE	
19	6004091	1	COMBINED OPTION FRAME	
20	6201432	1	TANK 200L	
21	5300078	6	WASHER	
22	4150868	4	ANTI-VIBRATION STUD	
23	6003686	1	PLATE	
24	7001133	1	RUBBER BAND	
25	7001882	1	FOAM	
26	4150250	2	PLASTIC TOGGLE LANCHE	
27	3500010	1	ATTACHMENT OMEGA	
28	7001881	1	SEAL COVER	
29	6003690	1	BONNET	
30	7001880	2	SEAL COVER	
31	6500407	1	STICKER HP OPERATING PROCEDURE	
32	6107823	1	HOSE TIE	
33	4000447	1	VENT	
34	6107520	1	STRAP	



OPTION, MIXED HP CLEANER 200L

Applies to 7455001-09 [7305126-01]



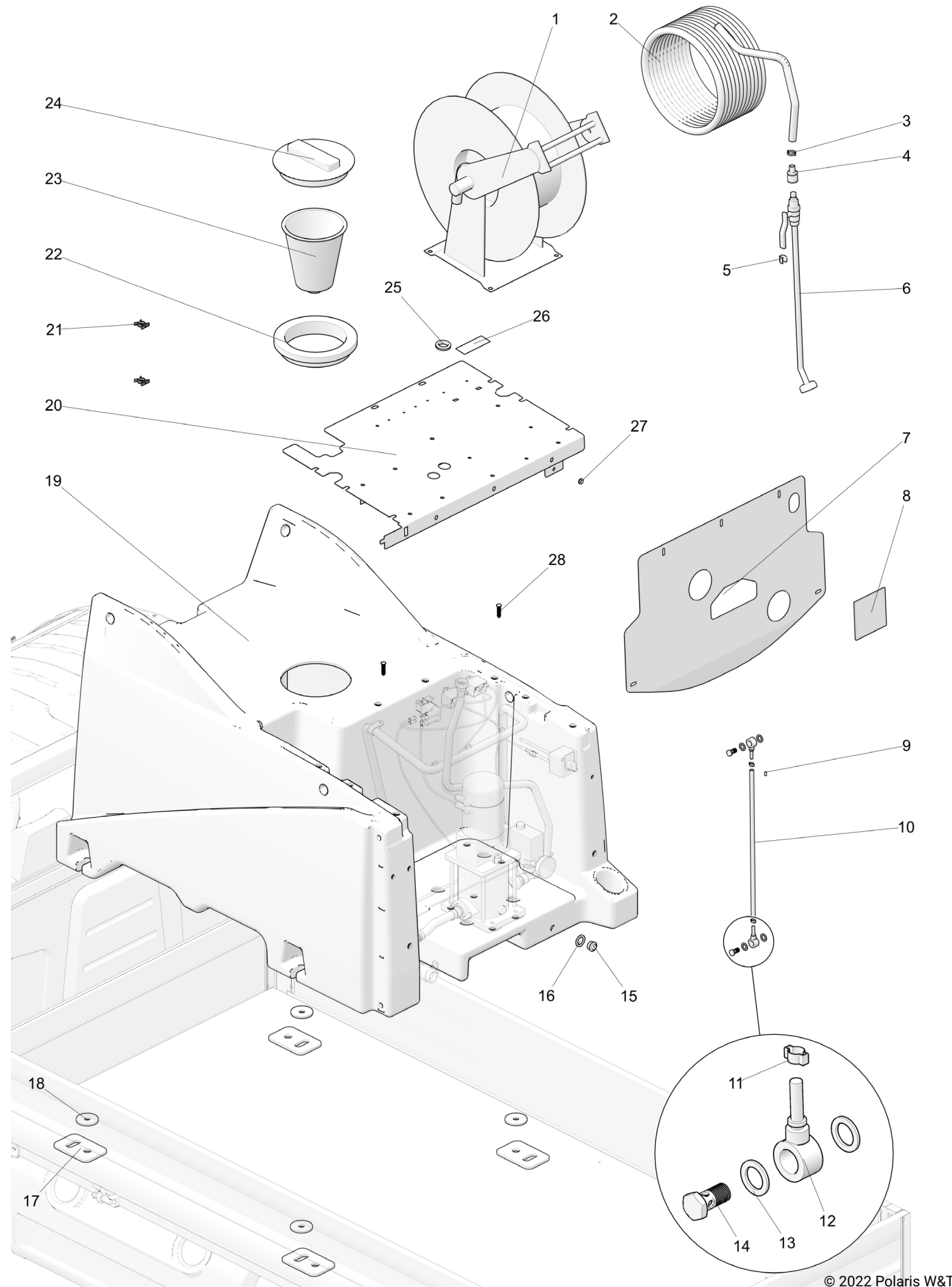
OPTION, MIXED HP CLEANER 200L

Applies to 7455001-09 [7305126-01]

Ref.	Part No.	Qty	Part Description	Notes
1	4000347	1	HIGH PRESSURE PUMP	
2	3500190	1	HP CLEANER ELECTRIC MOTOR	
3	4000457	1	COUPLING	
4	4000261	2	HOLLOW SCREW	
5	4000262	2	BANJO CONNECTOR	
6	4150210	2	ST STEEL EAR CLAMP	
7	4000117	4	BBS BUSH	
8	7001898	1	TUBE	
9	6107818	1	FLOAT	
10	4000448	2	CONNECTOR	
11	7002269	1	DRAIN HOSE	
12	4000450	1	BRASS BUTTERFLY BUTTON VALVE	
13	4000449	1	T-UNION	
14	4000099	2	SLEEVE	
15	4150740	2	SPACER	
16	6200313	1	WIRING	
17	7001912	1	PIPE	
18	4000216	1	SUCTION FILTER	
19	4150742	1	COLLAR	
20	4150864	1	RSGU CLAMP	
21	3450376	1	LEVEL SENSOR	
22	4000103	1	PRESSURE SWITCH 40 BARS (BLACK)	
23	4000104	1	PRESSURE SWITCH 15 BARS (BLUE)	
24	3450023	2	COVER	
25	3500021	1	CONTACTOR	
26	4000356	1	VALVE	
27	4000453	1	CONNECTOR	
28	4000112	1	PRESSURE GAUGE	
29	6400027	1	HYDRAULIC HOSE	
30	4000116	2	ADAPTOR	
31	4000454	1	CROSS	
32	4000455	1	CONNECTOR	
33	4000357	1	CYLINDRICAL CONNECTOR	
34	4000452	1	CONNECTOR	
35	4000098	1	FILTER	
36	4000451	1	CONNECTOR	
37	4000359	1	90° SPLINED ELBOW CONNECTOR	
38	4150875	3	COLLAR	

OPTION, 500L WATERING SYSTEM

Applies to 7455001-09 [7305142-01]



© 2022 Polaris W&T

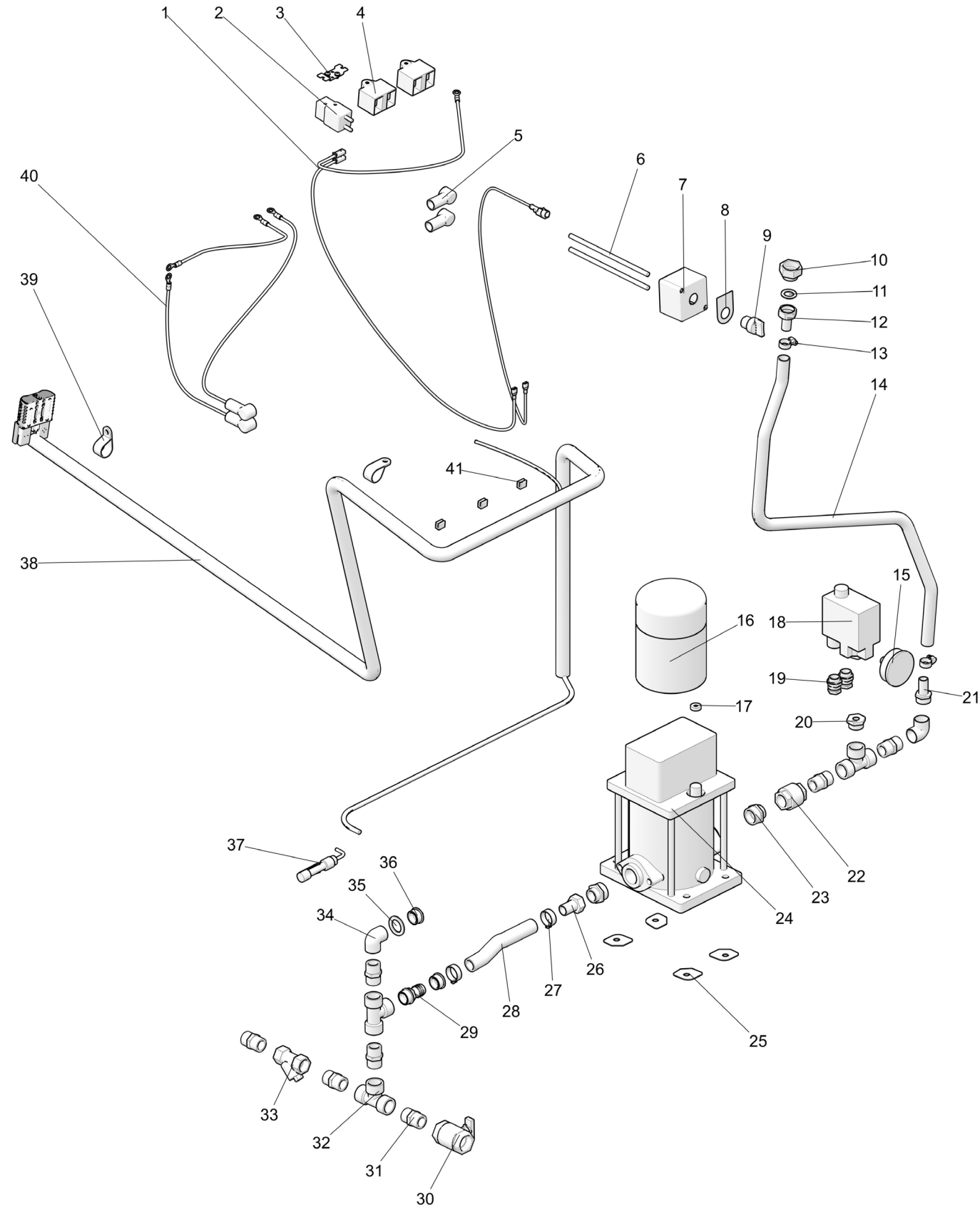
OPTION, 500L WATERING SYSTEM

Applies to 7455001-09 [7305142-01]

Ref.	Part No.	Qty	Part Description	Notes
1	4200396	1	AUTOMATIC WINDER	
2	4000456	1	SPRAY HOSE	
3	4150880	1	WING CLAMP	
4	4000469	1	QUICK COUPLING	
5	4150505	1	ATTACHMENT CLIP	
6	4000235	1	WATER LANCE	
7	6107917	1	STEEL SHEET	
8	6500317	1	STICKER SPRAY OPERATING PROCEDURE	
9	6107818	1	FLOAT	
10	7001898	1	TUBE	
11	4150210	2	EAR CLAMP	
12	4000262	2	BANJO CONNECTOR	
13	4000117	4	BBS BUSH	
14	4000261	2	HOLLOW SCREW	
15	4000464	1	PLUG	
16	4000481	1	SEAL	
17	6111178	4	PLATE	
18	5300079	4	WASHER	
19	6201433	1	TANK 500L	
20	6003665	1	SUPPORT	
21	4150248	1	CLIP	
22	4000461	1	RING WITH GASKET	
23	4000462	1	FILTER	
24	4000460	1	PLUG	
25	4250148	1	WIRE GUIDE	
26	6500147	2	SERIAL N° STICKER PLATE	
27	4250143	1	WIRE GUIDE	
28	3450381	2	BASE FOR COLLAR	

OPTION, 500L WATERING SYSTEM

Applies to 7455001-09 [7305142-01]



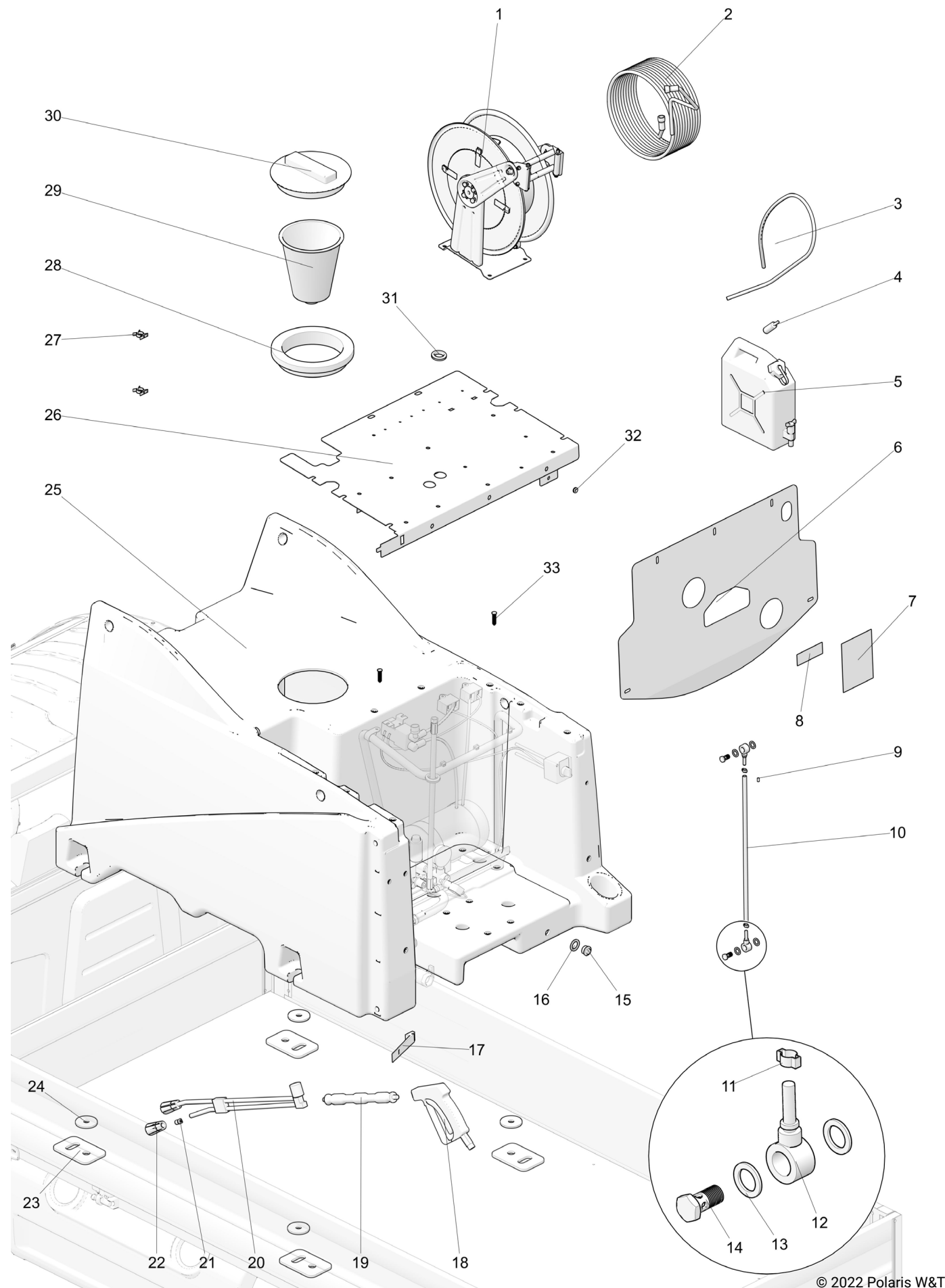
OPTION, 500L WATERING SYSTEM

Applies to 7455001-09 [7305142-01]

Ref.	Part No.	Qty	Part Description	Notes
1	6207337	1	SPRAYING MOTOR CONTROL HARNESS	
2	3450136	1	CONTACTOR	
3	3450089	1	OMEGA FIXATION	
4	3450295	2	2V EARTH TERMINAL BLOCK	
5	3450023	2	COVER	
6	6200247	2	WIRE OUT TURNING SWITCH	
7	3450105	1	HOUSING	
8	6500297	1	STICKERS SPRAYING/HP	
9	3450311	1	KNOB	
10	4000407	1	MALE/FEMALE REDUCER	
11	4000163	1	BBS BUSH	
12	4000468	1	BRASS SEAL GROOVED CONNECTING LINE	
13	4150255	2	COLLAR	
14	7001974	1	SUCTION HOSE	
15	4000277	1	PRESSURE GAUGE	
16	3500164	1	ELECTRIC MOTOR	
17	4150829	1	SPLINED BUTTON FOR DRAIN PLUG	
18	3450095	1	PRESSURE SWITCH + REDUCTION+PLUG	
19	3150009	2	CABLE GLAND	
20	4000466	1	BRASS REDUCER	
21	4000467	1	BRASS GROOVED CONNECTING LINE	
22	4000465	1	BRASS CHECK VALVE	
23	4000097	2	REDUCING NIPPLE	
24	4000432	1	SPRAY PUMP	
25	6108375	4	SPRAYER MOTOR SPACER	
26	4000408	1	SPLINED SLEEVE	
27	4150875	2	COLLAR	
28	7001974	1	SUCTION HOSE	
29	4000099	1	SLEEVE	
30	4000450	1	BRASS BUTTERFLY BUTTON VALVE	
31	4000448	7	CONNECTOR	
32	4000449	3	T-UNION	
33	4000098	1	FILTER	
34	4000463	2	90° ELBOW	
35	4000481	2	SEAL	
36	4000464	3	PLUG	
37	3450376	1	LEVEL SENSOR	
38	6200217	1	500L TANK SUPPLY HARNESS	
39	4150742	2	COLLAR	
40	6200218	1	SPRAYING MOTOR SUPPLY HARNESS	
41	3450363	3	CLIP	

OPTION, HP CLEANER + 500L TANK

Applies to 7455001-09 [7305143]



© 2022 Polaris W&T

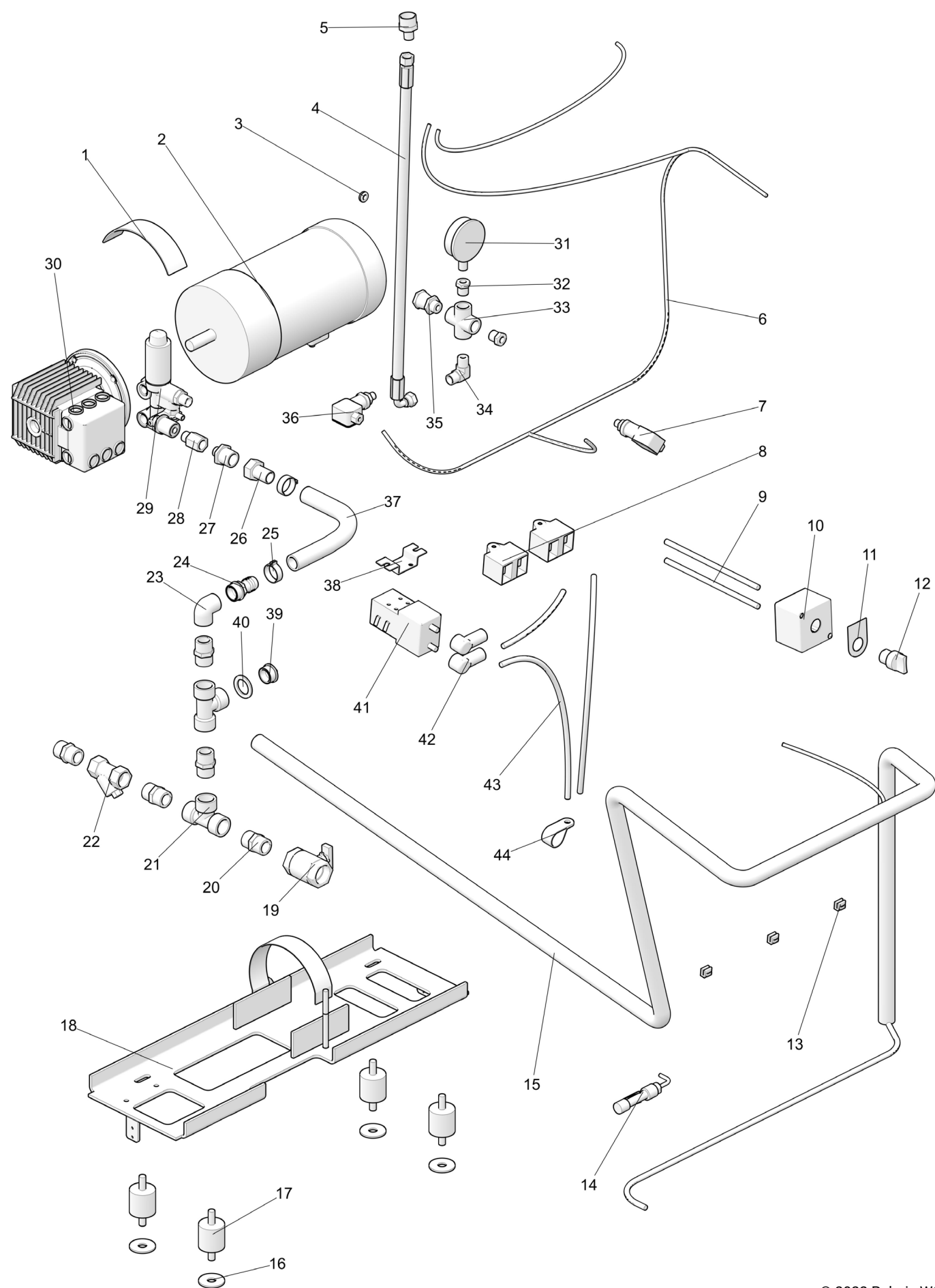
OPTION, HP CLEANER + 500L TANK

Applies to 7455001-09 [7305143]

Ref.	Part No.	Qty	Part Description	Notes
1	4200223	2	AUTOMATIC WINDER	
2	6400028	2	HYDRAULIC HOSE	
3	7001942	2	VACUUM TUBE	
4	4000216	1	SUCTION FILTER	
5	4200133	2	FILLING DRUM (5 LITRES)	
6	6107917	1	STEEL SHEET	
7	6500316	1	STICKER HP OPERATING PROCEDURE	
8	6500147	3	SERIAL N° STICKER PLATE	
9	6107818	1	FLOAT	
10	7001898	1	TUBE	
11	4150210	2	ST STEEL EAR CLAMP	
12	4000262	2	BANJO CONNECTOR	
13	4000117	4	BBS BUSH	
14	4000261	2	HOLLOW SCREW	
15	4000464	1	PLUG	
16	4000481	1	SEAL	
17	6107520	2	STRAP	
18	4000105	2	HP SPRAY GUN HANDLE	
19	4000350	2	GUN	
20	4000107	2	DOUBLE GUN	
21	4000120	2	HIGH PRESSURE NOZZLE	
22	4000144	2	NOZZLE PROTECTOR	
23	6111178	4	PLATE	
24	5300079	4	WASHER	
25	6201433	1	TANK 500L	
26	6003665	1	SUPPORT	
27	4150248	2	CLIP	
28	4000461	1	RING WITH GASKET	
29	4000462	1	FILTER	
30	4000460	1	PLUG	
31	4250148	1	WIRE GUIDE	
32	4250143	1	WIRE GUIDE	
33	3450381	2	BASE FOR COLLAR	
35	4000481	2	SEAL	
36	4000464	3	PLUG	
37	3450376	1	LEVEL SENSOR	
38	6200217	1	500L TANK SUPPLY HARNESS	
39	4150742	2	COLLAR	
40	6200218	1	SPRAYING MOTOR SUPPLY HARNESS	
41	3450363	3	CLIP	

OPTION, HP CLEANER + 500L TANK

Applies to 7455001-09 [7305143]



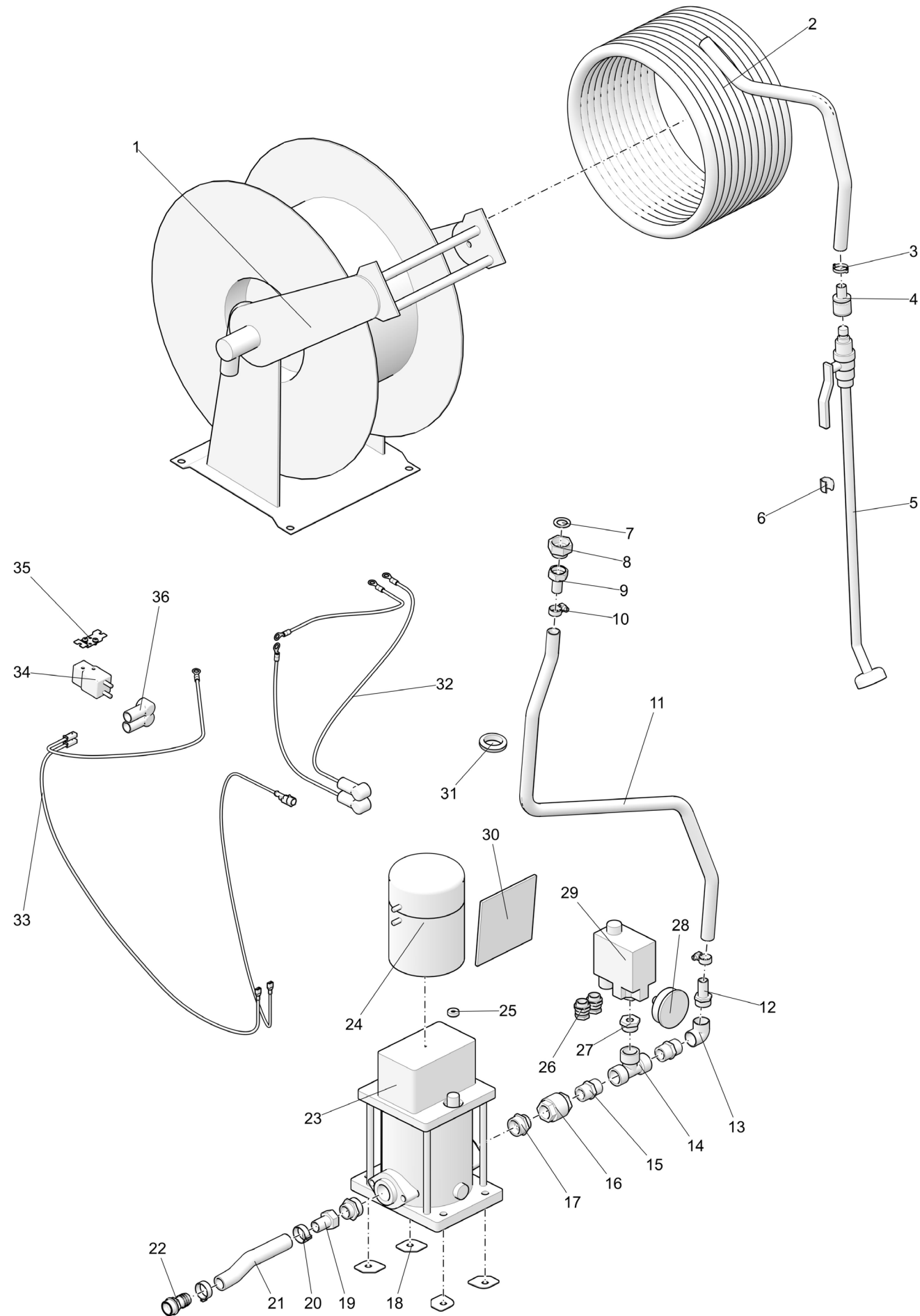
OPTION, HP CLEANER + 500L TANK

Applies to 7455001-09 [7305143]

Ref.	Part No.	Qty	Part Description	Notes
1	7001133	2	RUBBER BAND	
2	3500190	1	HP CLEANER ELECTRIC MOTOR	
3	4250143	2	WIRE GUIDE	
4	6400029	1	HYDRAULIC HOSE	
5	4000457	1	COUPLING	
6	6207338	1	HP500 MONTOR CONTROL HARNESS	
7	4000103	1	PRESSURE SWITCH 40 BARS (BLACK)	
8	3450295	2	2V EARTH TERMINAL BLOCK	
9	6200247	2	WIRE OUT TURNING SWITCH	
10	3450105	1	HOUSING	
11	6500297	1	STICKERS SPRAYING/HP	
12	3450311	1	KNOB	
13	3450363	3	CLIP	
14	3450376	1	LEVEL SENSOR	
15	6200217	1	500L TANK SUPPLY HARNESS	
16	5300078	10	WASHER	
17	4150868	8	ANTI-VIBRATION STUD	
18	6003686	2	PLATE	
19	4000450	1	BRASS BUTTERFLY BUTTON VALVE	
20	4000448	5	CONNECTOR	
21	4000449	2	T-UNION	
22	4000098	1	FILTER	
23	4000463	1	90° ELBOW	
24	4000099	1	SLEEVE	
25	4150875	2	COLLAR	
26	4000408	1	SPLINED SLEEVE	
27	4000452	1	CONNECTOR	
28	4000357	1	CYLINDRICAL CONNECTOR	
29	4000356	1	VALVE	
30	4000347	1	HIGH PRESSURE PUMP	
31	4000112	1	PRESSURE GAUGE	
32	4000116	2	ADAPTOR	
33	4000454	1	CROSS	
34	4000455	1	CONNECTOR	
35	4000453	1	CONNECTOR	
36	4000104	1	PRESSURE SWITCH 15 BARS (BLUE)	
37	7001973	1	SUCTION PIPE	
38	3500010	2	ATTACHMENT OMEGA	
39	4000464	2	PLUG	
40	4000481	2	SEAL	
41	3500021	1	CONTACTOR	
42	3450023	2	COVER	
43	6200220	1	HP500 MOTOR SUPPLY HARNESS	
44	4150742	1	COLLAR	

OPTION, WATERING SYSTEM ON 500L HP CLEANER

Applies to 7455001-09 [7305144-01]



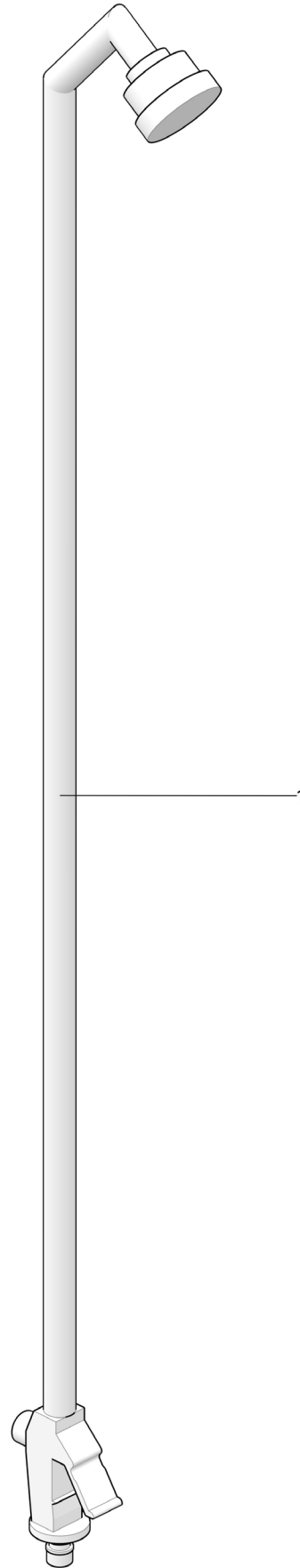
OPTION, WATERING SYSTEM ON 500L HP CLEANER

Applies to 7455001-09 [7305144-01]

Ref.	Part No.	Qty	Part Description	Notes
1	4200396	2	AUTOMATIC WINDER	
2	4000456	2	SPRAY HOSE	
3	4150880	2	WING CLAMP	
4	4000469	2	QUICK COUPLING	
5	4000235	2	WATER LANCE	
6	4150505	2	ATTACHMENT CLIP	
7	4000163	1	BBS BUSH	
8	4000407	1	MALE/FEMALE REDUCER	
9	4000468	1	BRASS SEAL GROOVED CONNECTING LINE	
10	4150255	2	COLLAR	
11	7001974	1	SUCTION HOSE	
12	4000467	1	BRASS GROOVED CONNECTING LINE	
13	4000463	1	90° ELBOW	
14	4000449	1	T-UNION	
15	4000448	2	CONNECTOR	
16	4000465	1	BRASS CHECK VALVE	
17	4000097	2	REDUCING NIPPLE	
18	6108375	4	SPRAYER MOTOR SPACER	
19	4000408	1	SPLINED SLEEVE	
20	4150875	2	COLLAR	
21	7001974	1	SUCTION PIPE	
22	4000099	1	SLEEVE	
23	4000432	1	SPRAY PUMP	
24	3500164	1	ELECTRIC MOTOR	
25	4150829	1	SPLINED BUTTON FOR DRAIN PLUG	
26	3150009	2	CABLE GLAND	
27	4000466	1	BRASS REDUCER	
28	4000277	1	PRESSURE GAUGE	
29	3450095	1	PRESSURE SWITCH + REDUCTION+PLUG	
30	6500317	2	STICKER SPRAY OPERATING PROCEDURE	
31	4250148	2	WIRE GUIDE	
32	6200218	1	SPRAYING MOTOR SUPPLY HARNESS	
33	6207337	1	SPRAYING MOTOR CONTROL HARNESS	
34	3450136	1	CONTACTOR	
35	3450089	1	OMEGA FIXATION	
36	3450023	2	COVER	

OPTION, 3M TELESCOPIC WATERING POLE

Applies to 7455001-09 [7305145]



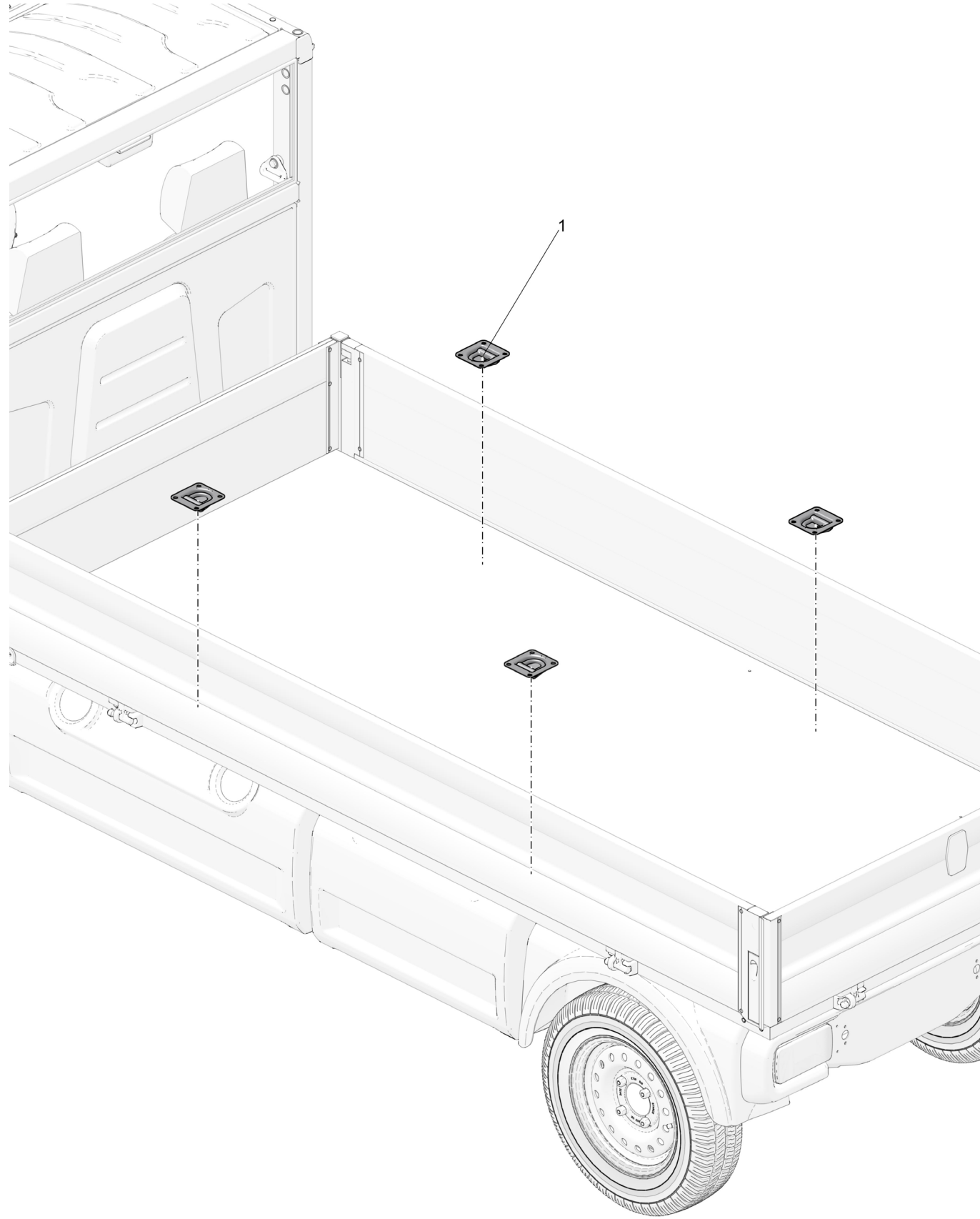
OPTION, 3M TELESCOPIC WATERING POLE

Applies to 7455001-09 [7305145]

Ref.	Part No.	Qty	Part Description	Notes
1	4250089	1	TELESCOPIC SWAN NECK GUN L=3M	

OPTION, 4 TIEDOWN RINGS / PICKUP

Applies to 7455001-09 [7305127]



OPTION, 4 TIEDOWN RINGS / PICKUP

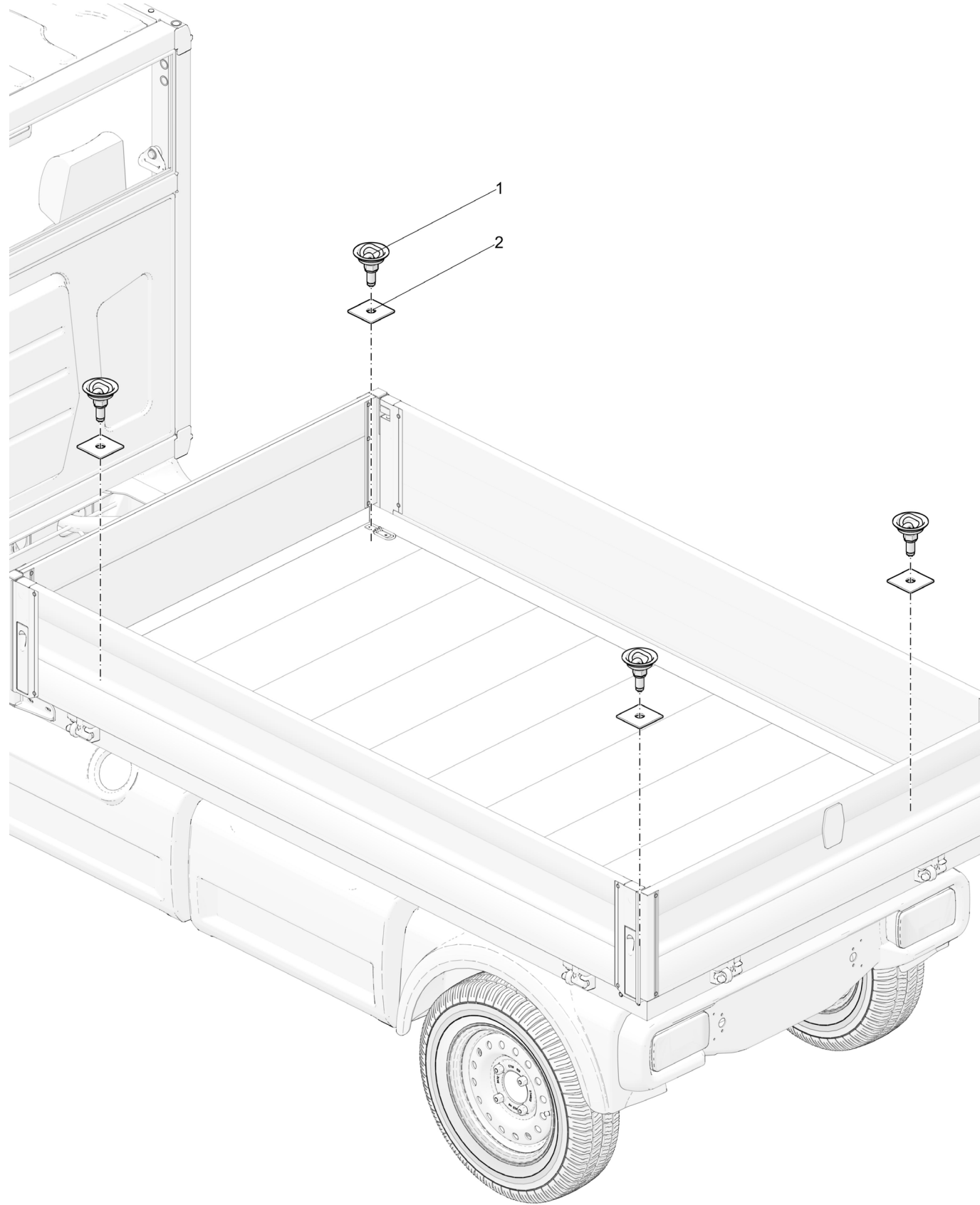
Applies to 7455001-09 [7305127]

Ref.	Part No.	Qty	Part Description	Notes
1	4150510	4	PIVOTING FLUSH FIT ATTACHMENT RING	



OPTION, 4 TIEDOWN RINGS / DROPSIDE TIPPER

Applies to 7455001-09 [7305128]



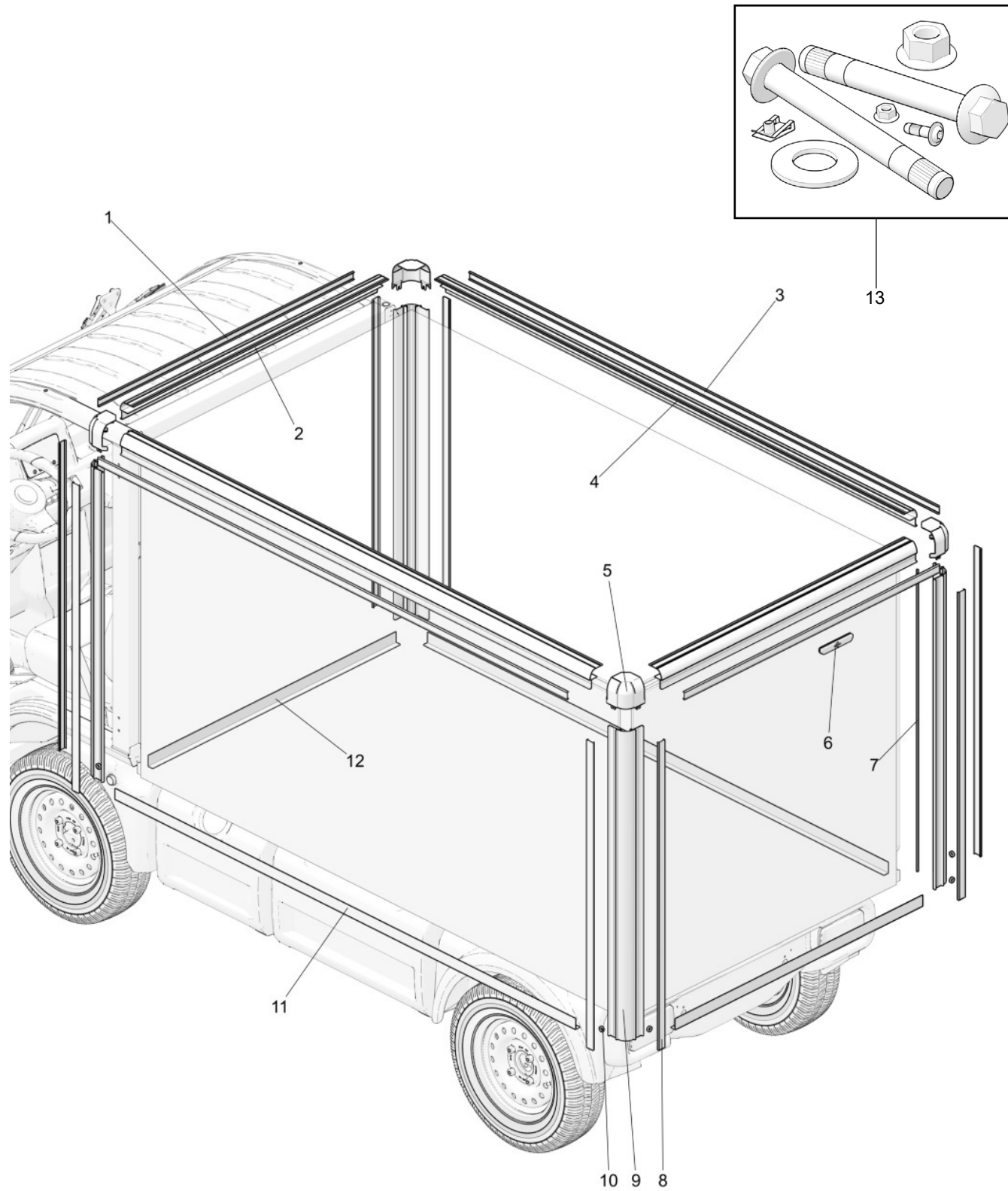
OPTION, 4 TIEDOWN RINGS / DROPSIDE TIPPER

Applies to 7455001-09 [7305128]

Ref.	Part No.	Qty	Part Description	Notes
1	4150643	4	ATTACHMENT EYE	
2	6105400	4	COUNTER PLATE	

OPTION, VAN

Applies to 7455001-09 [7305129-03]



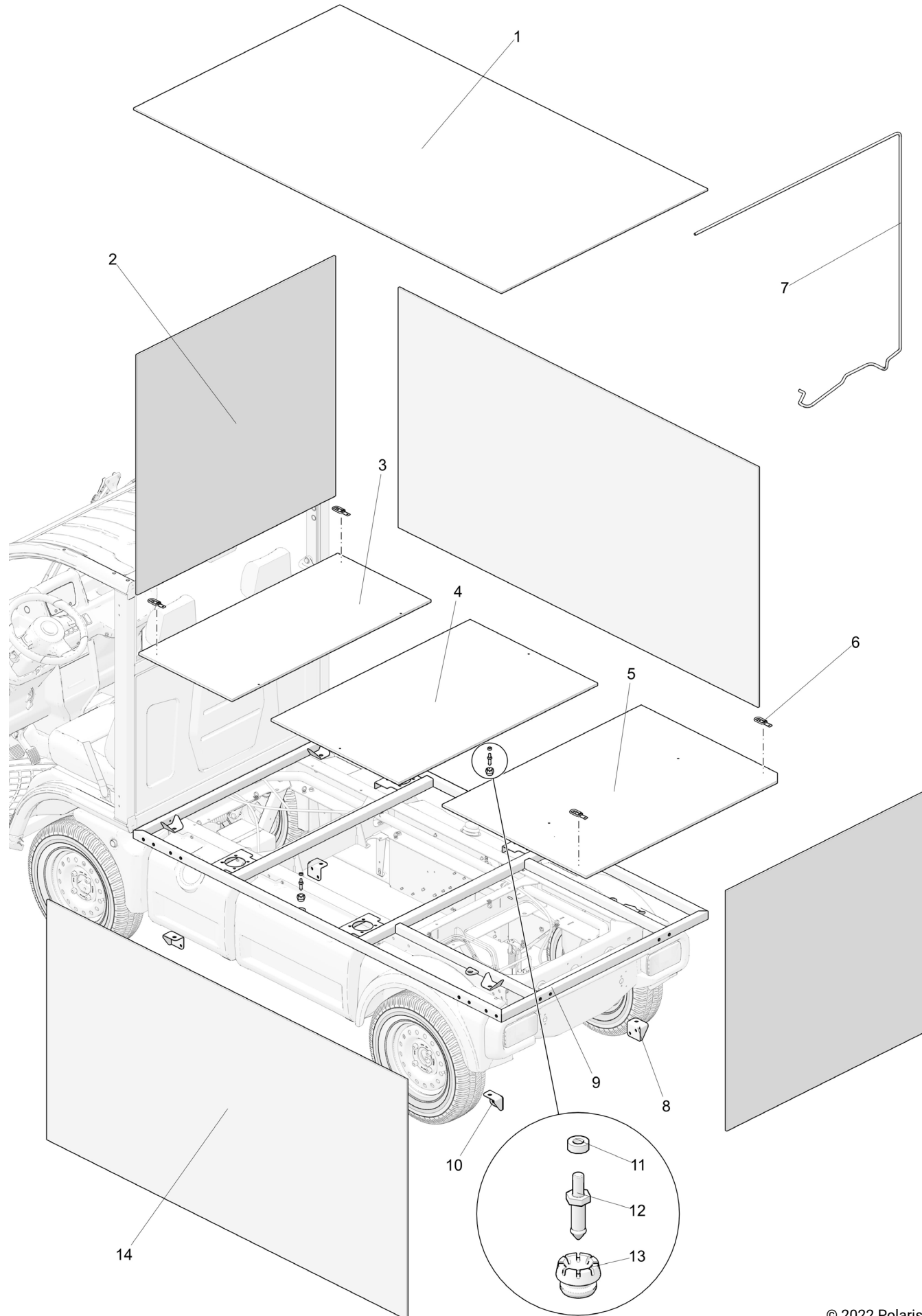
OPTION, VAN

Applies to 7455001-09 [7305129-03]

Ref.	Part No.	Qty	Part Description	Notes
1	7002184	2	FINISHING PROFILED SECTION	
2	7002182	2	FRONT/REAR ROOF PROFILED SECTION	
3	7002198	2	FINISHING PROFILED SECTION	
4	7002197	2	PROFILED ANGLE SECTION	
5	4250046	4	ANGLE PROTECTION	
6	3550130	1	STOP LIGHT	
7	7002234	1	FINISHING PROFILED SECTION	
8	7002180	8	FINISHING PROFILED SECTION	
9	7002179	4	PROFILED ANGLE SECTION	
10	4150367	8	SPACER	
11	7002196	2	SIDE SQUARE BRACKET	
12	7002176	2	CURTAIN STEP	
13	7140909	1	BOX VAN SCREWS KIT	

OPTION, VAN

Applies to 7455001-09 [7305129-03]



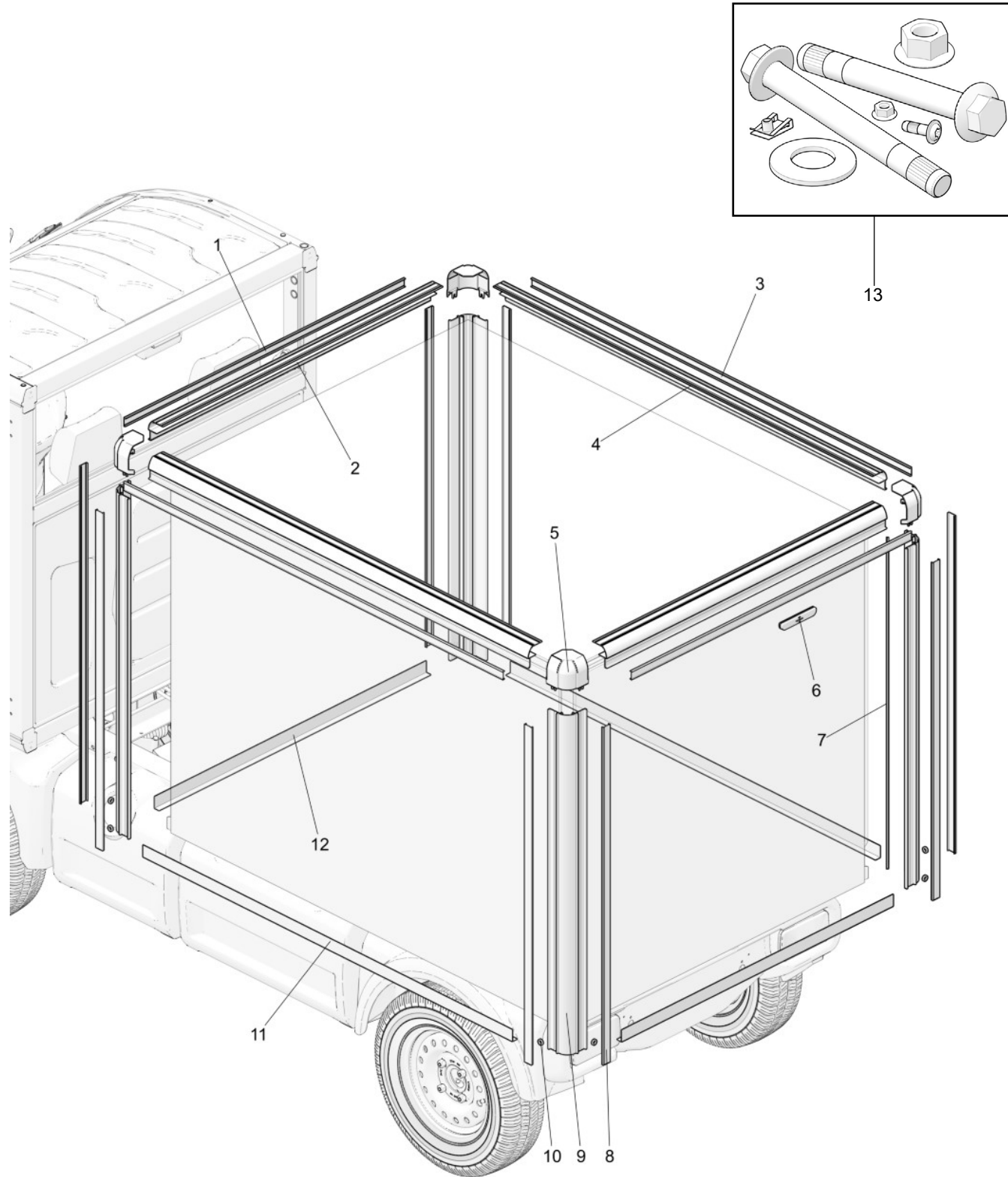
OPTION, VAN

Applies to 7455001-09 [7305129-03]

Ref.	Part No.	Qty	Part Description	Notes
1	7002195	1	ROOF PANEL	
2	7002175	2	FRONT / REAR PANEL	
3	6109903	1	FRONT FLOOR FOR VAN	
4	6110197	1	REMOBABLE FLOOR VAN	
5	6110198	1	REAR FLOOR FOR VAN	
6	4150973	4	TIE BRACKET	
7	6200307	1	HARNESS	
8	6109855	2	SUPPORT	
9	6004135	1	FLATBED / VAN FRAME	
10	6109854	2	SUPPORT	
11	4150948	2	SPACER	
12	105910404	2	LOCK FLOOR VAN	
13	105439179	2	LOCK RUBBER FLOOR VAN	
14	7002194	2	SIDE PANEL	

OPTION, COMBINED VAN

Applies to 7455001-09 [7305130-03]



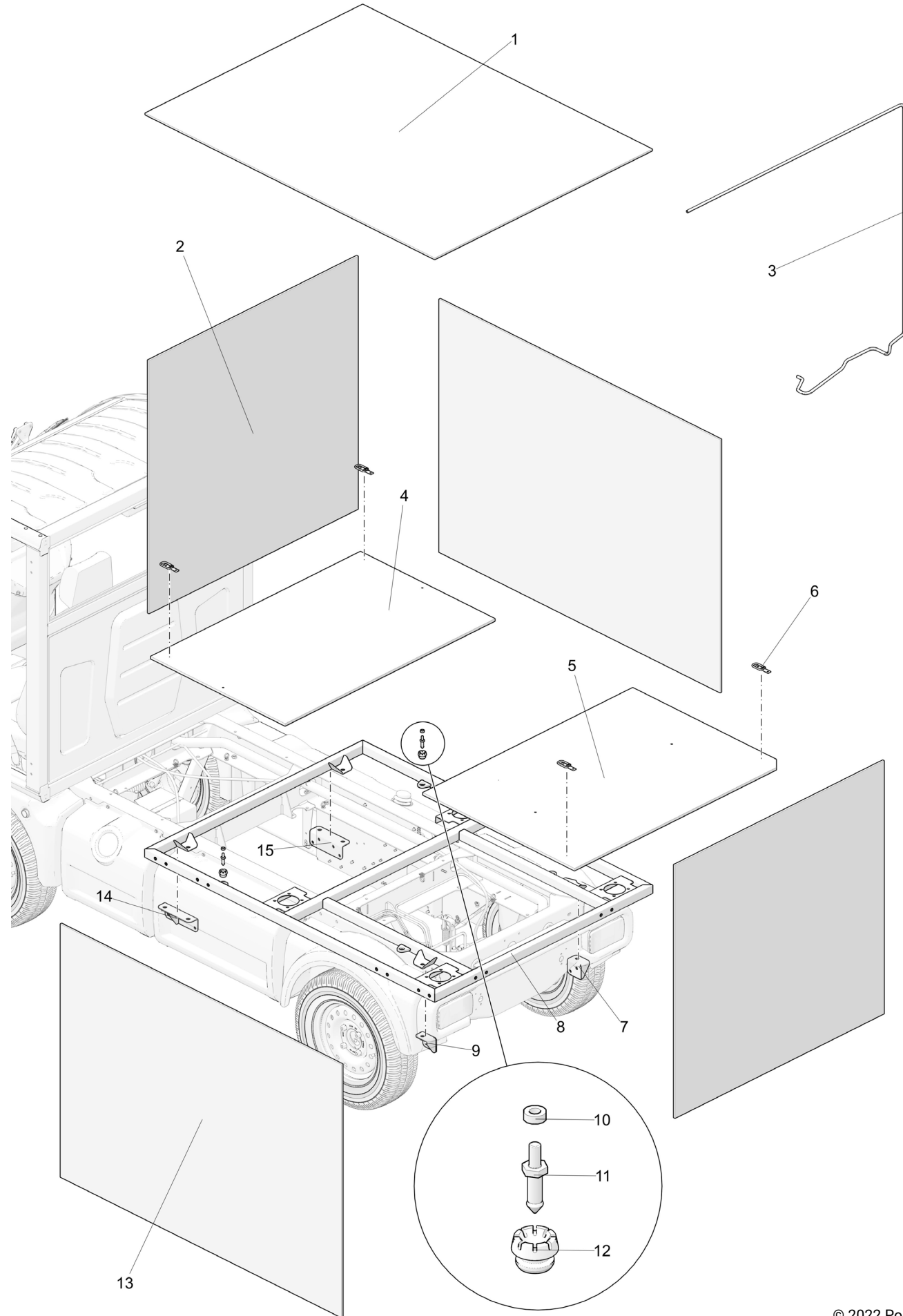
OPTION, COMBINED VAN

Applies to 7455001-09 [7305130-03]

Ref.	Part No.	Qty	Part Description	Notes
1	7002184	2	FINISHING PROFILED SECTION	
2	7002182	2	FRONT/REAR ROOF PROFILED SECTION	
3	7002185	2	FINISHING PROFILED SECTION	
4	7002183	2	PROFILED ANGLE SECTION	
5	4250046	4	ANGLE PROTECTION	
6	3550130	1	STOP LIGHT	
7	7002234	1	FINISHING PROFILED SECTION	
8	7002180	8	FINISHING PROFILED SECTION	
9	7002179	4	PROFILED ANGLE SECTION	
10	4150367	8	SPACER	
11	7002178	2	SIDE SQUARE BRACKET	
12	7002176	2	CURTAIN STEP	
13	7140909	1	BOX VAN SCREWS KIT	

OPTION, COMBINED VAN

Applies to 7455001-09 [7305130-03]



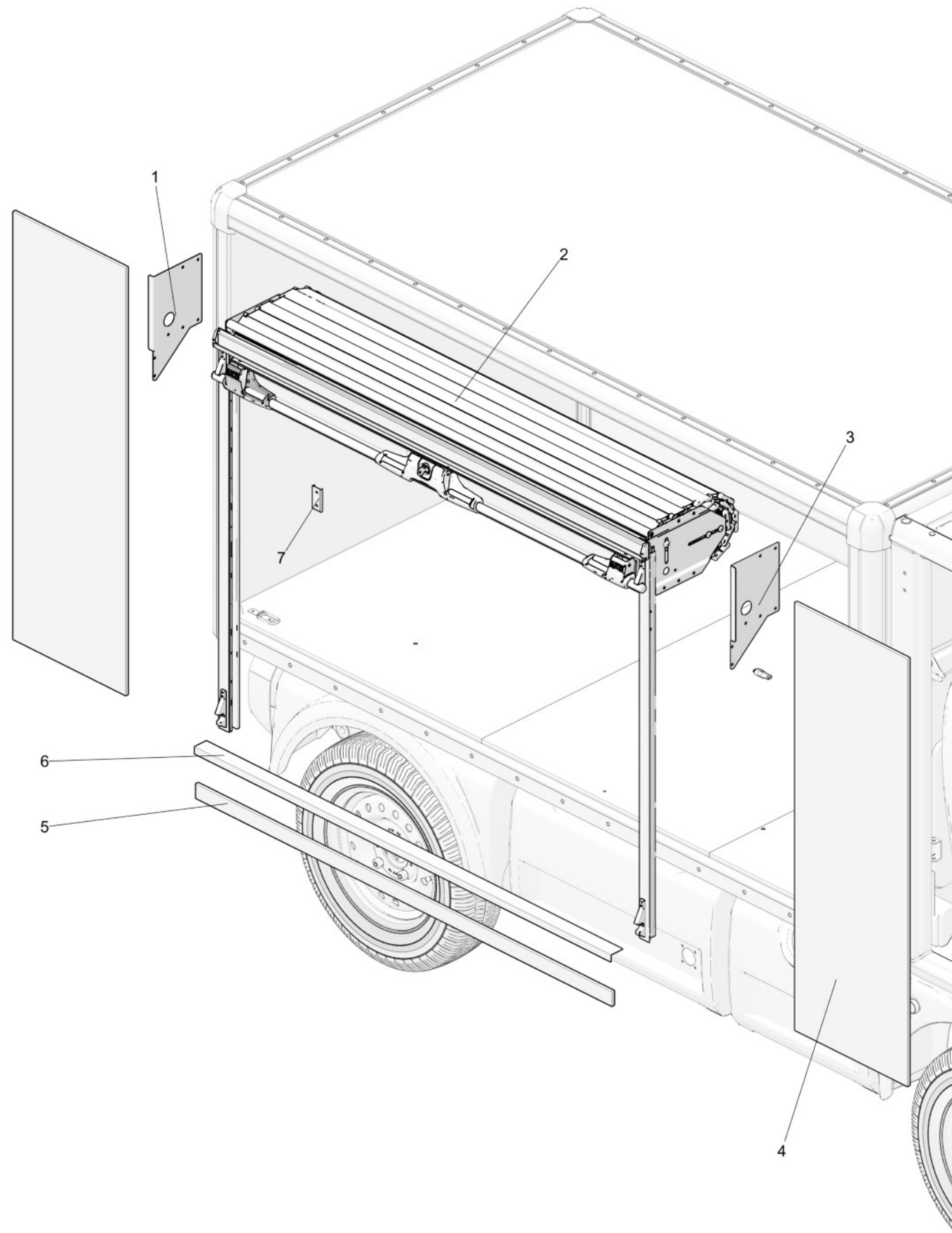
OPTION, COMBINED VAN

Applies to 7455001-09 [7305130-03]

Ref.	Part No.	Qty	Part Description	Notes
1	7002181	1	ROOF PANEL	
2	7002175	2	FRONT / REAR PANEL	
3	6200307	1	HARNESS	
4	6110197	1	REMOBABLE FLOOR VAN	
5	6110198	1	REAR FLOOR FOR VAN	
6	4150973	4	TIE BRACKET	
7	6109855	1	SUPPORT	
8	6004134	1	COMBINE FLATBED / VAN FRAME	
9	6109854	1	SUPPORT	
10	4150948	2	SPACER	
11	105910404	2	LOCK FLOOR VAN	
12	105439179	2	LOCK RUBBER FLOOR VAN	
13	7002177	2	SIDE PANEL	
14	6004090	1	SUPPORT	
15	6004089	1	SUPPORT	

OPTION, RIGHT SHUTTER

Applies to 7455001-09 [7305131-01]



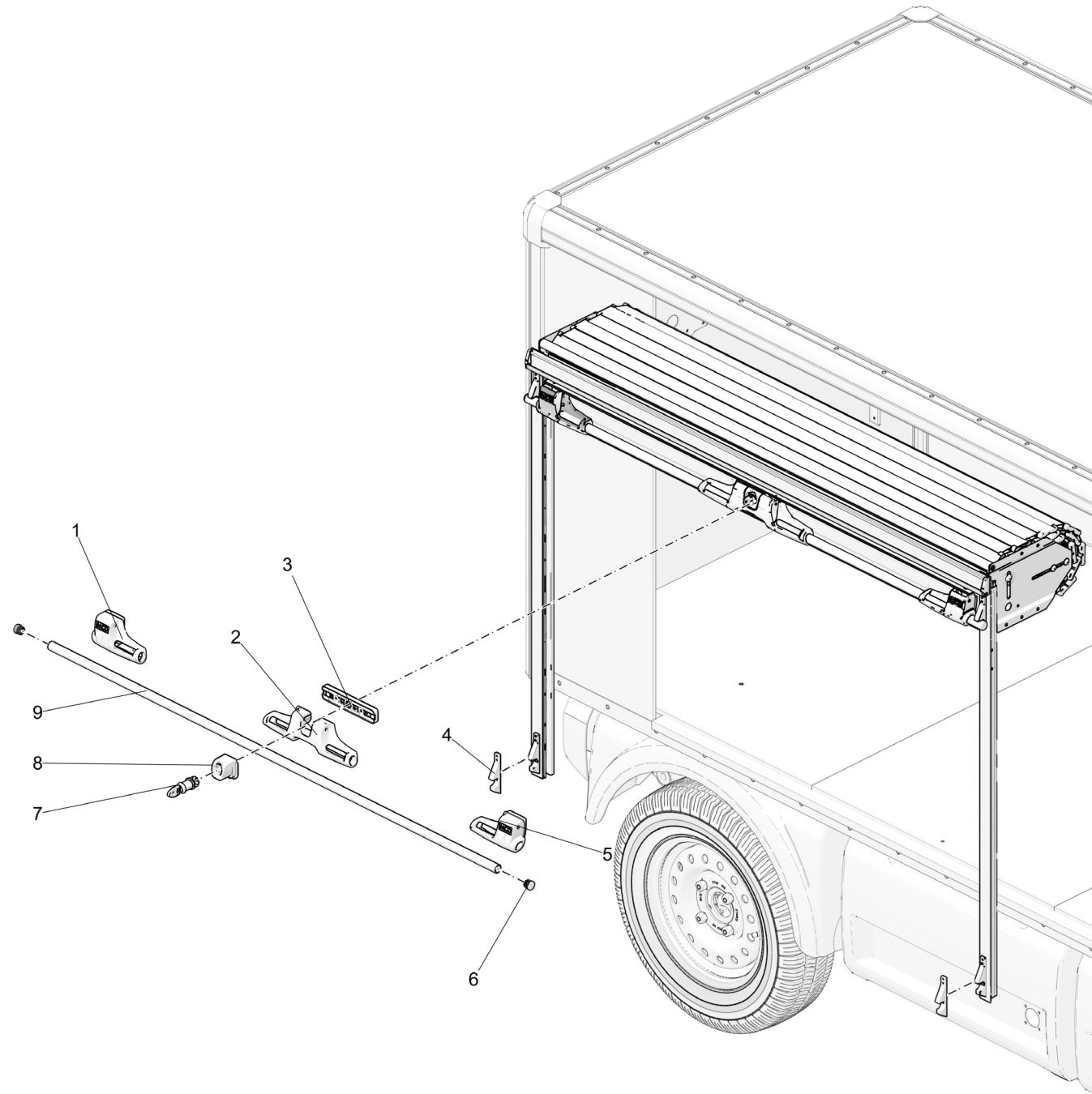
OPTION, RIGHT SHUTTER

Applies to 7455001-09 [7305131-01]

Ref.	Part No.	Qty	Part Description	Notes
1	6106167	1	GUSSET	
2	6207322	1	ROLLING CURTAIN	
3	6106168	1	REINFORCING GUSSET	
4	7002231	2	SIDE PANEL	
5	7002232	1	SIDE PANEL	
6	7001114	1	CUT OUT PLAN	
7	6101597	1	CHANNEL ATTACHMENT	

*OPTION, RIGHT SHUTTER*

**Applies to 7455001-09 [7305131-01]**



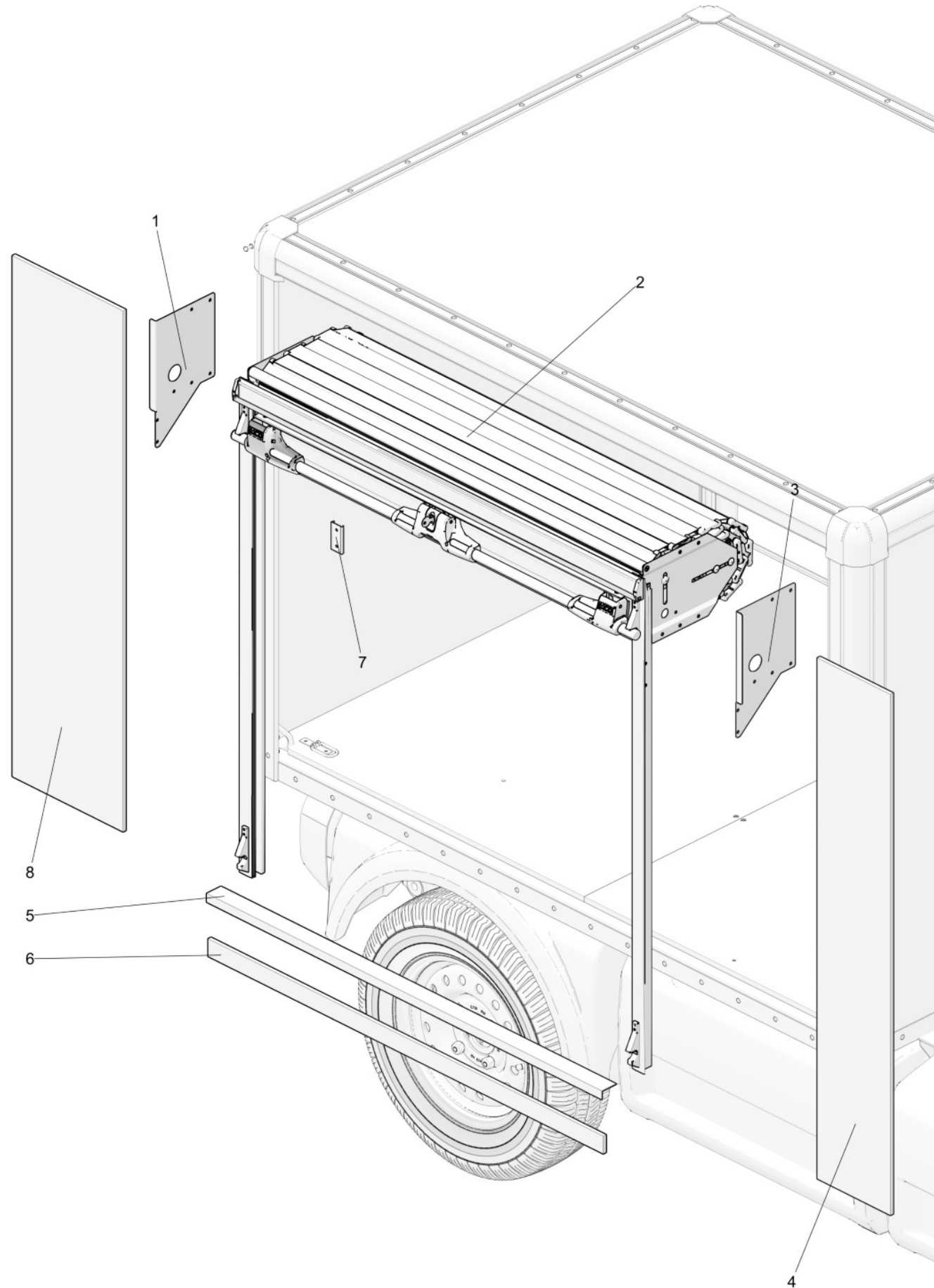
*OPTION, RIGHT SHUTTER*

**Applies to 7455001-09 [7305131-01]**

Ref.	Part No.	Qty	Part Description	Notes
1	2100742	1	CURTAIN LEFT BAR LEVER COVER	
2	2100743	1	CURTAIN CENTRAL BAR LEVER COVER	
3	2100718	1	CLOSING MECHANISM	
4	2100441	2	LOWER BAR LOCK	
5	2100744	1	CURTAIN RIGHT BAR LEVER COVER	
6	2100377	2	CAP	
7	2100645	1	BOX VAN SHUTTER LOCK	
8	2100646	1	BARREL INSERT	
9	2100376	1	BAR	

*OPTION, COMBINED RH SHUTTER*

**Applies to 7455001-09 [7305132]**



*OPTION, COMBINED RH SHUTTER*

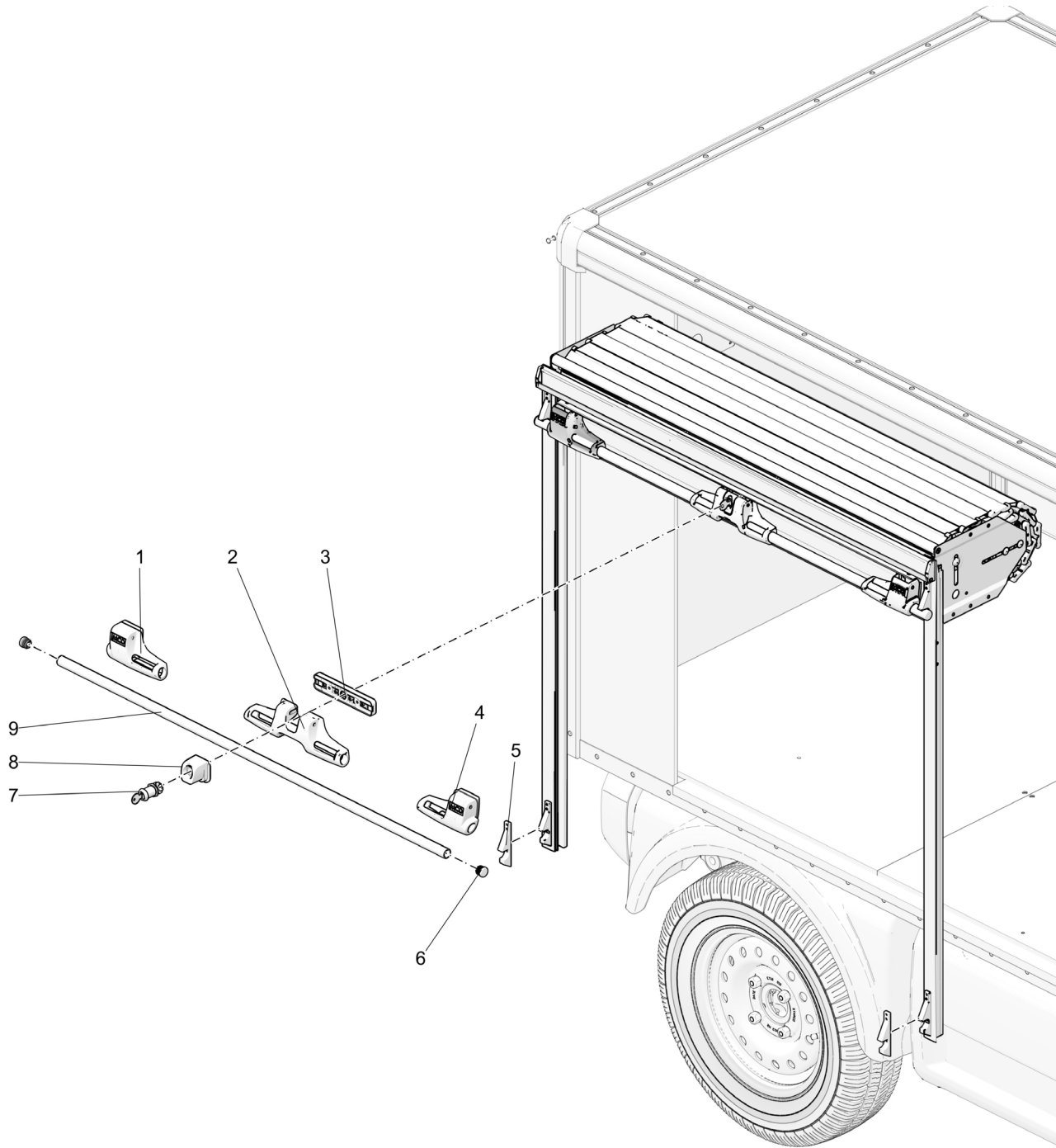
**Applies to 7455001-09 [7305132]**

Ref.	Part No.	Qty	Part Description	Notes
1	6106167	1	GUSSET	
2	6207303	1	ROLLING CURTAIN	
3	6106168	1	REINFORCING GUSSET	
4	7002192	1	SIDE PANEL	
5	7002189	1	THRESHOLD	
6	7002190	1	SHIM	
7	6101597	1	CHANNEL ATTACHMENT	
8	7002191	1	SIDE PANEL	



*OPTION, COMBINED RH SHUTTER*

**Applies to 7455001-09 [7305132]**



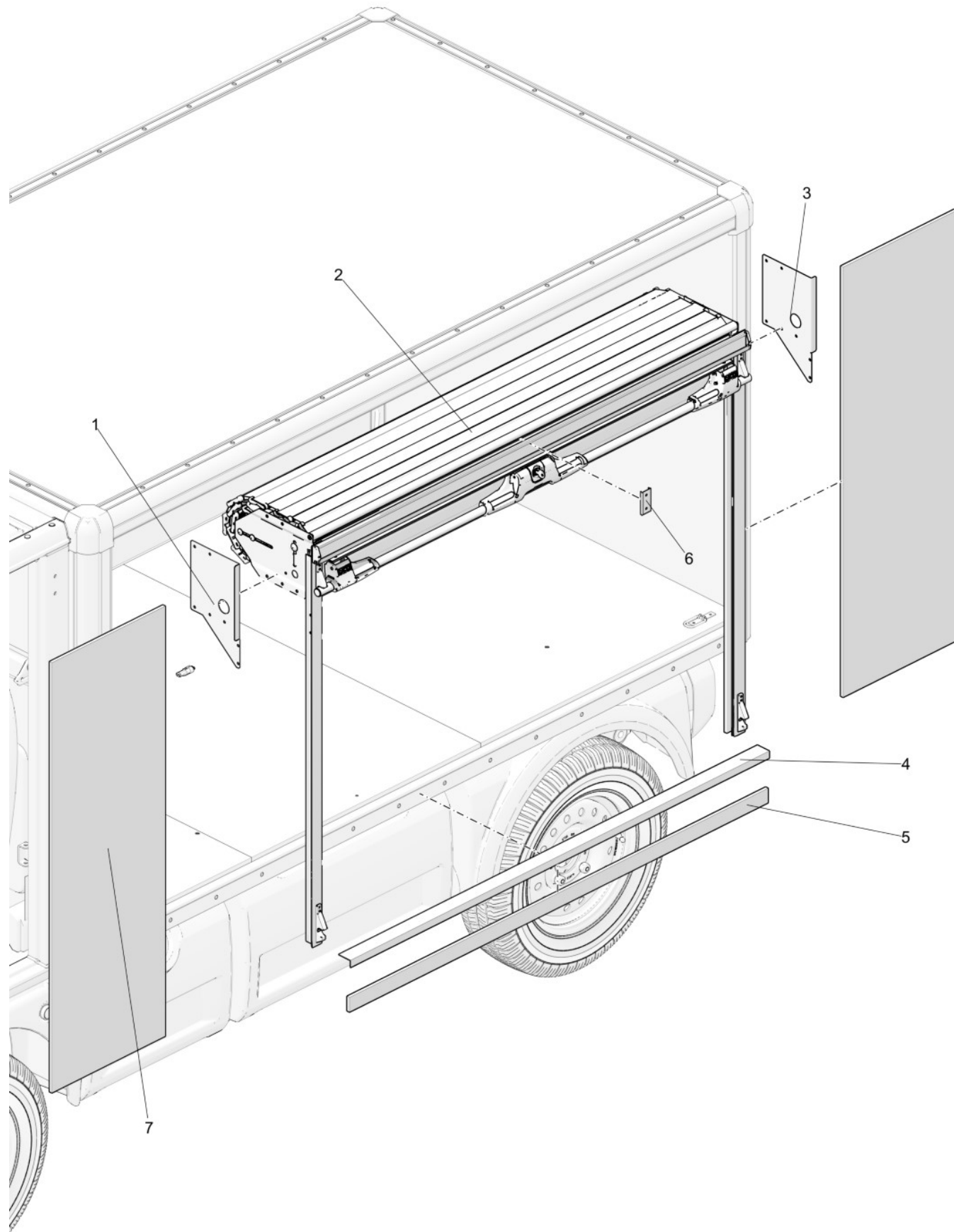
*OPTION, COMBINED RH SHUTTER*

**Applies to 7455001-09 [7305132]**

Ref.	Part No.	Qty	Part Description	Notes
1	2100742	1	CURTAIN LEFT BAR LEVER COVER	
2	2100743	1	CURTAIN CENTRAL BAR LEVER COVER	
3	2100718	1	CLOSING MECHANISM	
4	2100744	1	CURTAIN RIGHT BAR LEVER COVER	
5	2100441	2	LOWER BAR LOCK	
6	2100377	2	CAP	
7	2100645	1	BARREL INSERT	
8	2100646	1	BOX VAN SHUTTER LOCK	
9	2101027	1	BAR	

OPTION, LEFT SHUTTER

Applies to 7455001-09 [7305133-01]



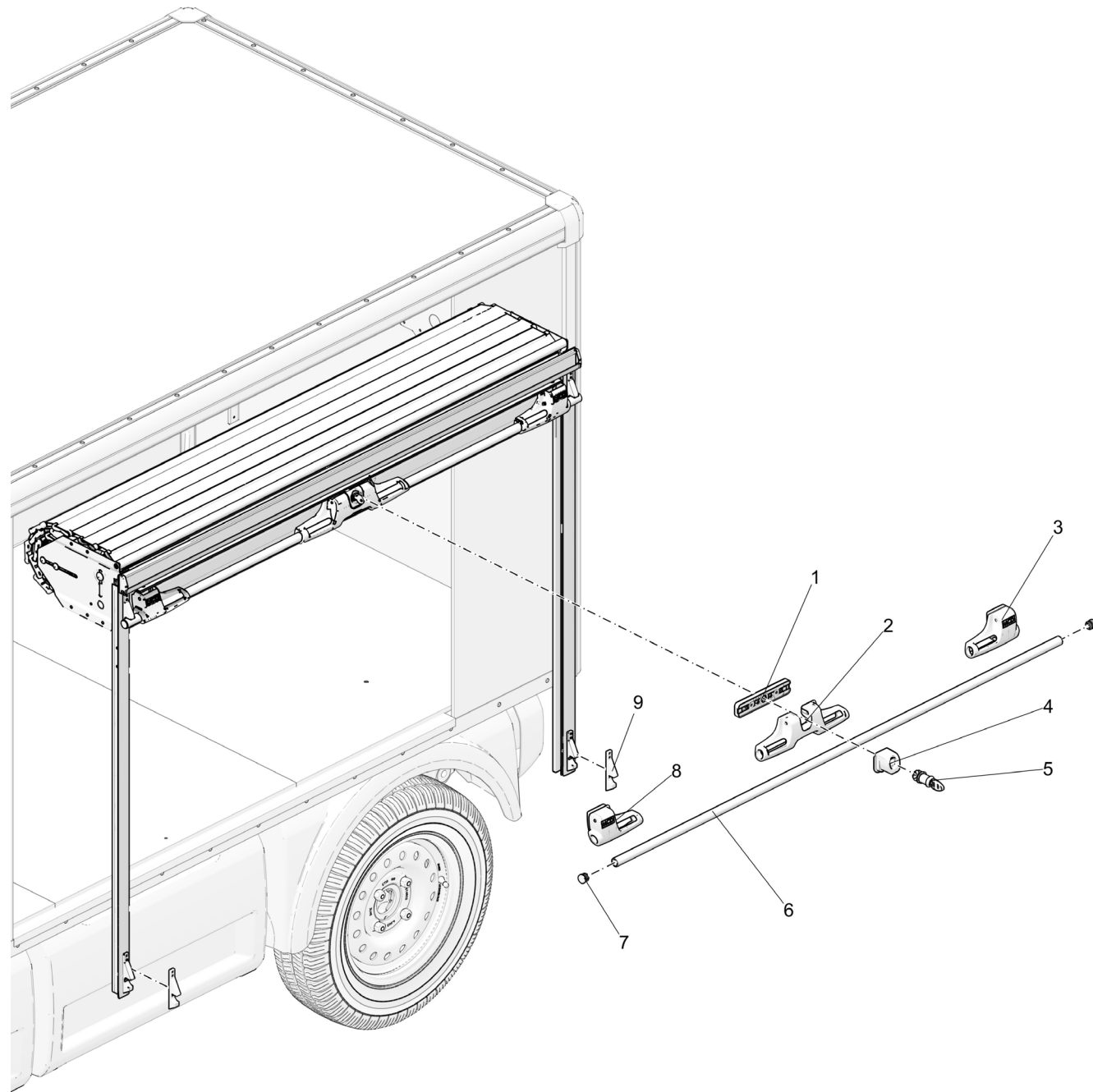
OPTION, LEFT SHUTTER

Applies to 7455001-09 [7305133-01]

Ref.	Part No.	Qty	Part Description	Notes
1	6106167	1	GUSSET	
2	6207322	1	ROLLING CURTAIN	
3	6106168	1	REINFORCING GUSSET	
4	7001114	1	CUT OUT PLAN	
5	7002232	1	SIDE PANEL	
6	6101597	1	CHANNEL ATTACHMENT	
7	7002231	2	SIDE PANEL	

OPTION, LEFT SHUTTER

Applies to 7455001-09 [7305133-01]



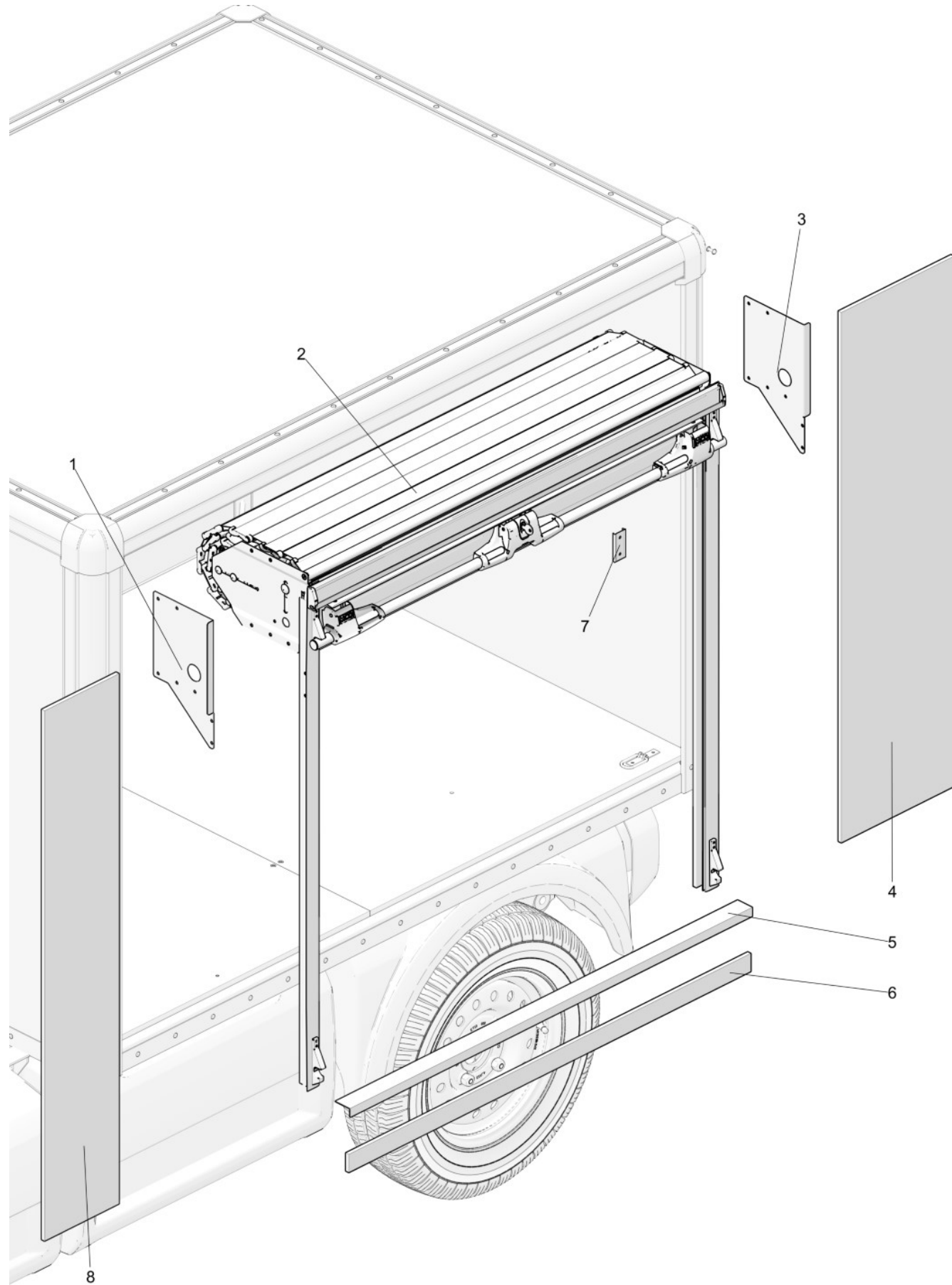
OPTION, LEFT SHUTTER

Applies to 7455001-09 [7305133-01]

Ref.	Part No.	Qty	Part Description	Notes
1	2100718	1	CLOSING MECHANISM	
2	2100743	1	CURTAIN CENTRAL BAR LEVER COVER	
3	2100744	1	CURTAIN RIGHT BAR LEVER COVER	
4	2100646	1	BARREL INSERT	
5	2100645	1	BOX VAN SHUTTER LOCK	
6	2100376	1	BAR	
7	2100377	2	CAP	
8	2100742	1	CURTAIN LEFT BAR LEVER COVER	
9	2100441	2	LOWER BAR LOCK	

*OPTION, COMBINED LH SHUTTER*

**Applies to 7455001-09 [7305134]**



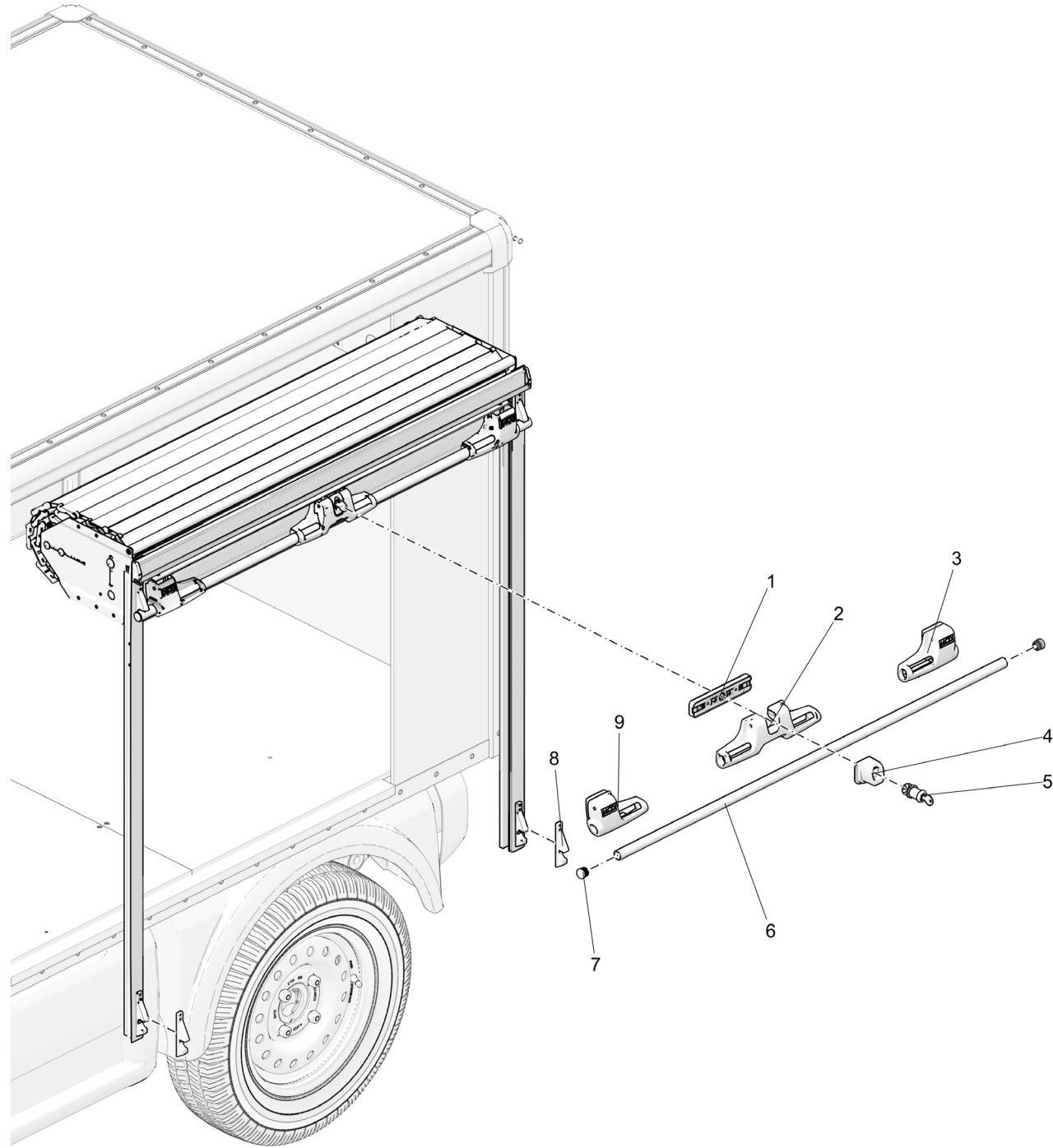
*OPTION, COMBINED LH SHUTTER*

**Applies to 7455001-09 [7305134]**

Ref.	Part No.	Qty	Part Description	Notes
1	6106167	1	GUSSET	
2	6207303	1	ROLLING CURTAIN	
3	6106168	1	REINFORCING GUSSET	
4	7002191	1	SIDE PANEL	
5	7002189	1	THRESHOLD	
6	7002190	1	SHIM	
7	6101597	1	CHANNEL ATTACHMENT	
8	7002192	1	SIDE PANEL	

OPTION, COMBINED LH SHUTTER

Applies to 7455001-09 [7305134]



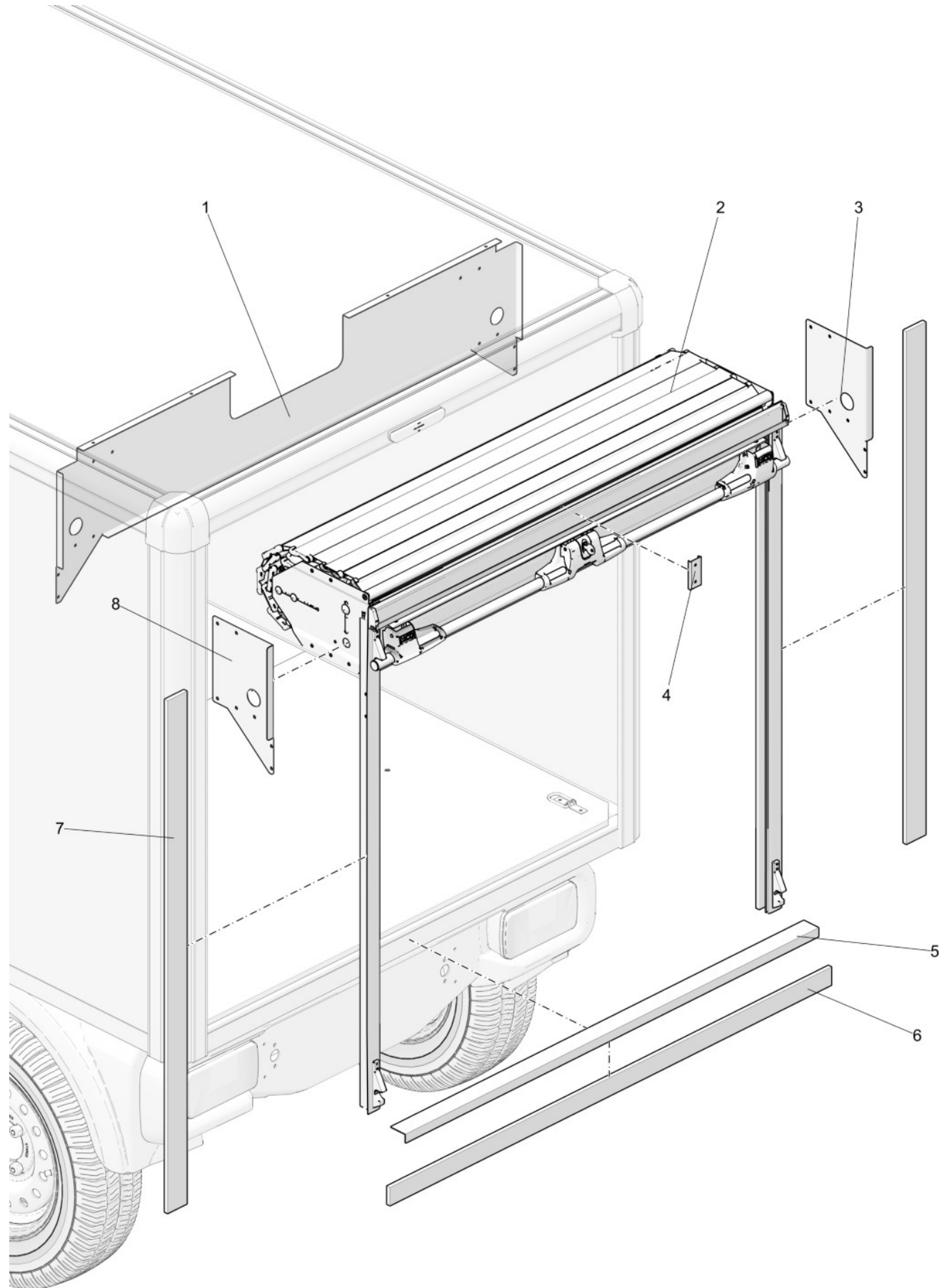
OPTION, COMBINED LH SHUTTER

Applies to 7455001-09 [7305134]

Ref.	Part No.	Qty	Part Description	Notes
1	2100718	1	CLOSING MECHANISM	
2	2100743	1	CURTAIN CENTRAL BAR LEVER COVER	
3	2100744	1	CURTAIN RIGHT BAR LEVER COVER	
4	2100646	1	BARREL INSERT	
5	2100645	1	BOX VAN SHUTTER LOCK	
6	2101027	1	BAR	
7	2100377	2	CAP	
8	2100441	2	LOWER BAR LOCK	
9	2100742	1	CURTAIN LEFT BAR LEVER COVER	

OPTION, REAR SHUTTER

Applies to 7455001-09 [7305135-01]



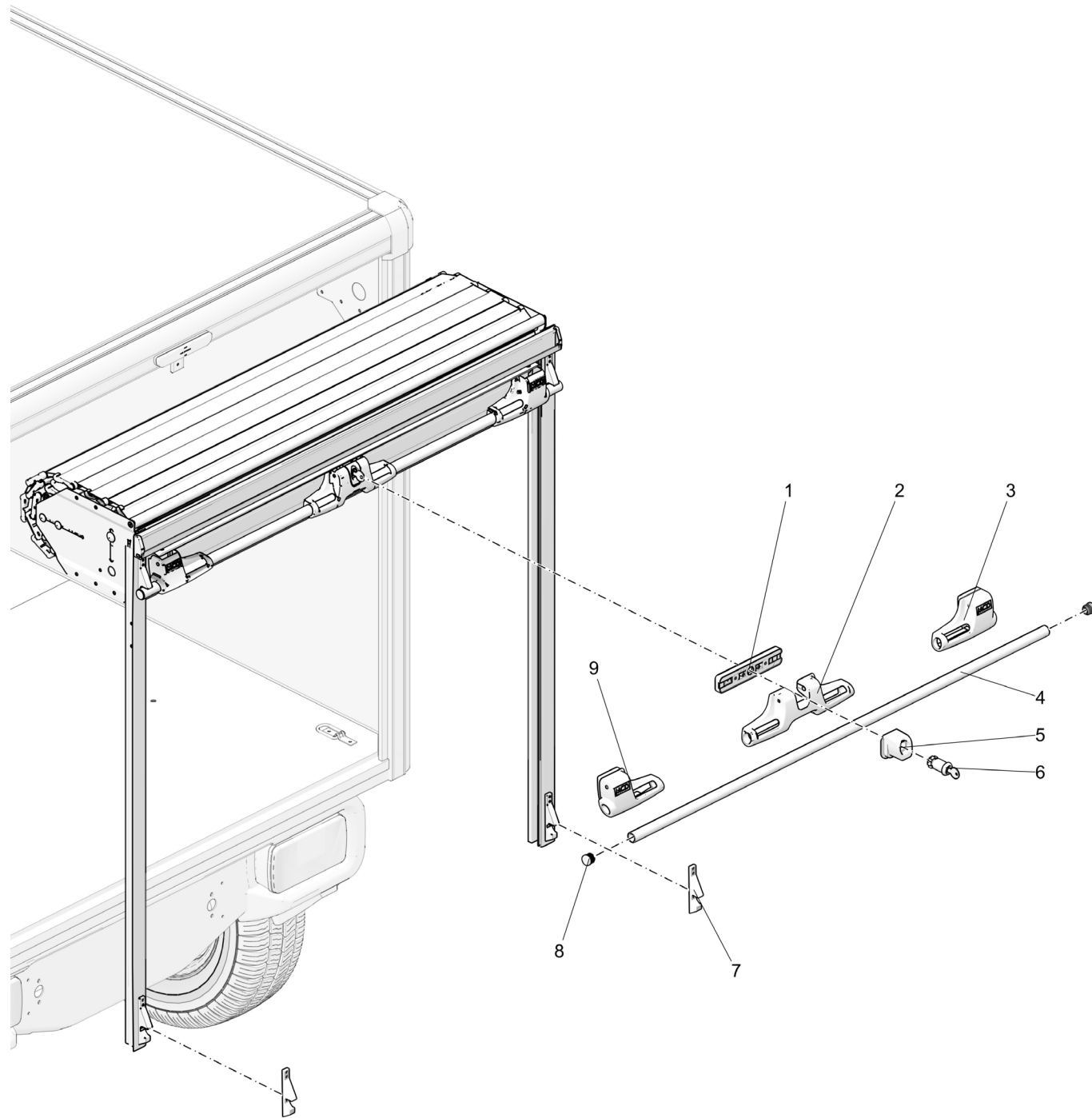
OPTION, REAR SHUTTER

Applies to 7455001-09 [7305135-01]

Ref.	Part No.	Qty	Part Description	Notes
1	6109899	1	REINFORCEMENT	
2	6207303	1	ROLLING CURTAIN	
3	6106168	2	REINFORCING GUSSET	
4	6101597	1	CHANNEL ATTACHMENT	
5	7002176	1	CURTAIN STEP	
6	7002186	1	SHIM	
7	7002188	2	PANEL	
8	6106167	2	GUSSET	

OPTION, REAR SHUTTER

Applies to 7455001-09 [7305135-01]



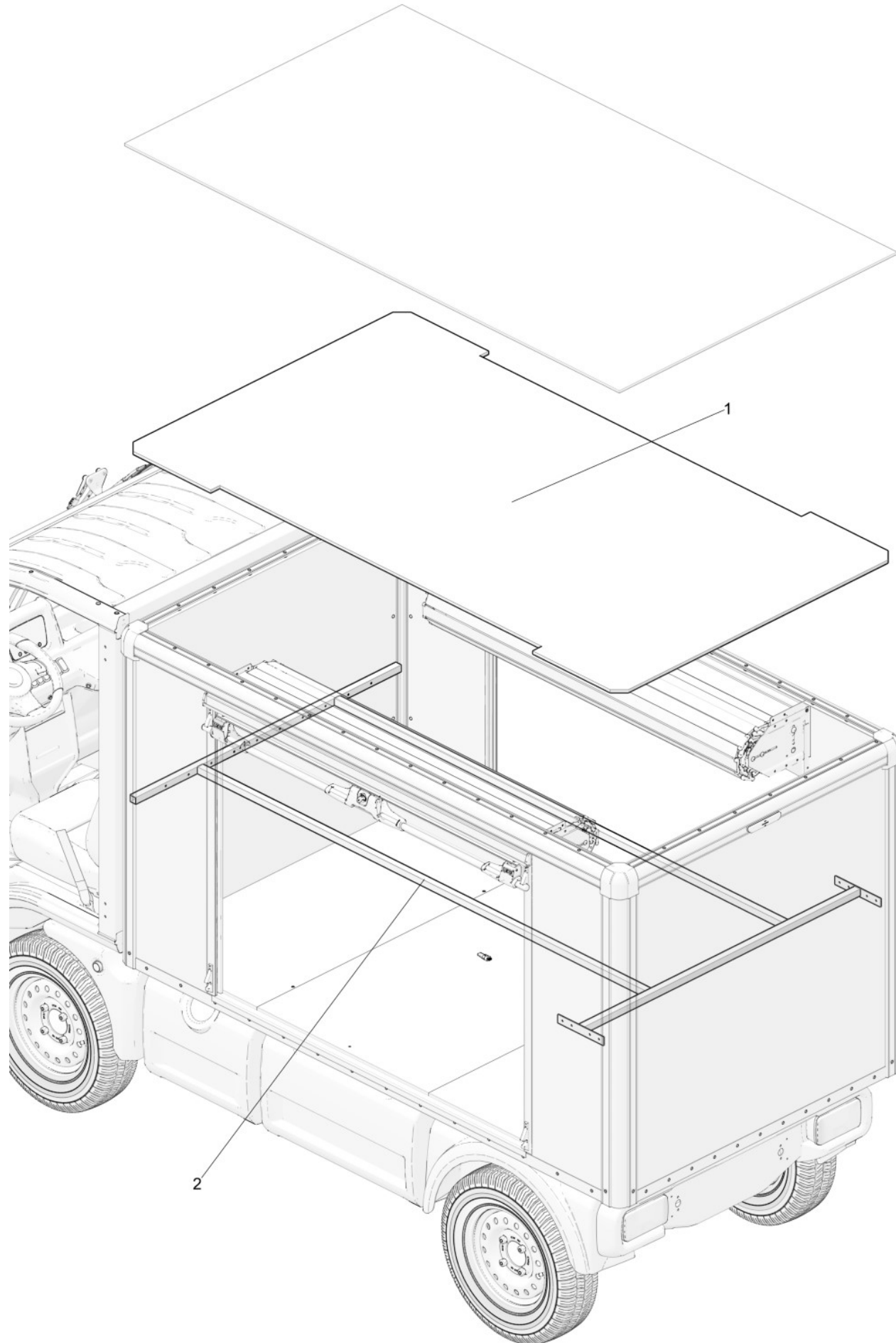
OPTION, REAR SHUTTER

Applies to 7455001-09 [7305135-01]

Ref.	Part No.	Qty	Part Description	Notes
1	2100718	1	CLOSING MECHANISM	
2	2100743	1	CURTAIN CENTRAL BAR LEVER COVER	
3	2100744	1	CURTAIN RIGHT BAR LEVER COVER	
4	2101027	1	BAR	
5	2100646	1	BARREL INSERT	
6	2100645	1	BOX VAN SHUTTER LOCK	
7	2100441	2	LOWER BAR LOCK	
8	2100377	2	CAP	
9	2100742	1	CURTAIN LEFT BAR LEVER COVER	

OPTION, MID-HEIGHT SHELF FOR VAN

Applies to 7455001-09 [7305136]



OPTION, MID-HEIGHT SHELF FOR VAN

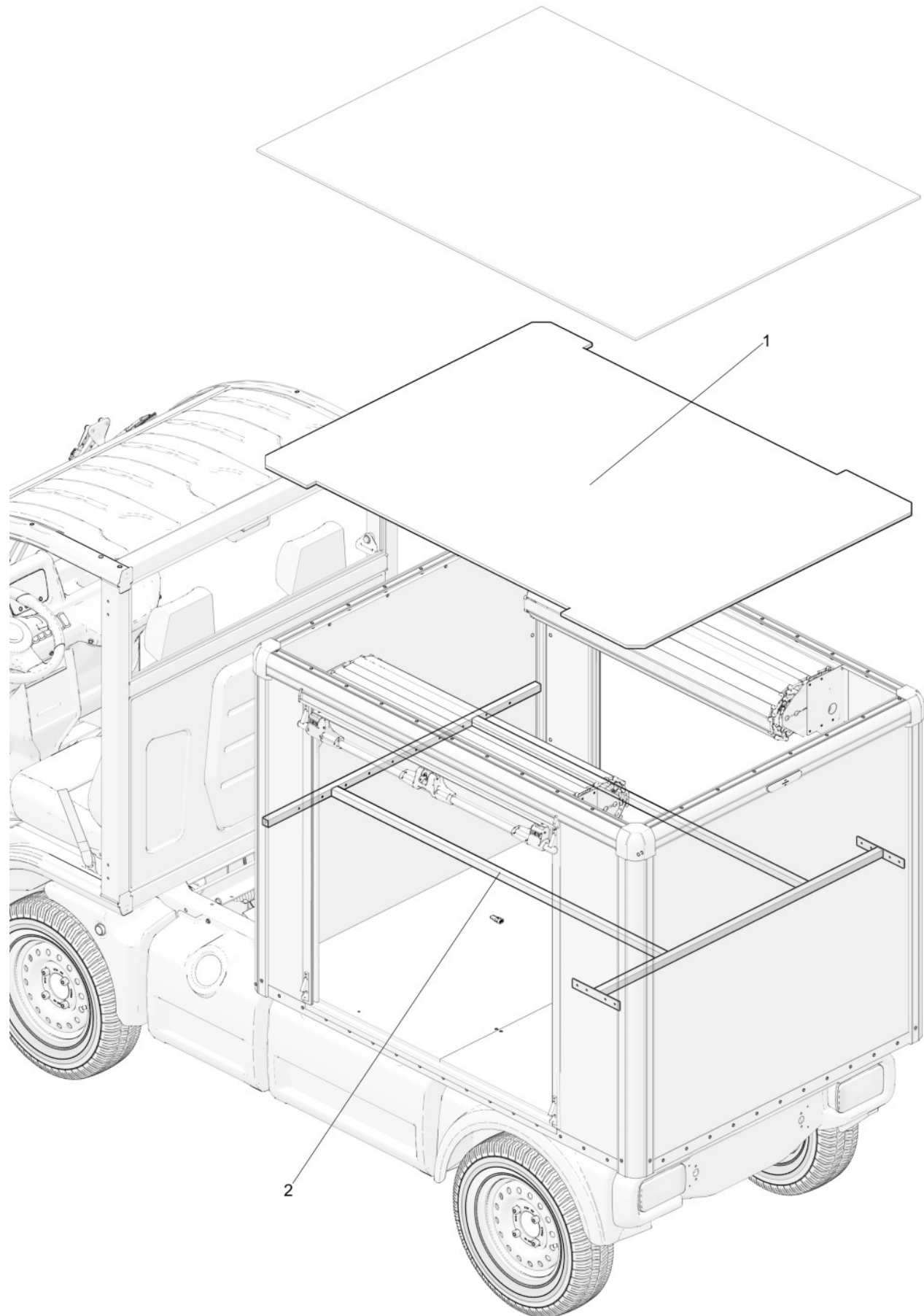
Applies to 7455001-09 [7305136]

Ref.	Part No.	Qty	Part Description	Notes
1	6110234	1	VAN SHELF FLOOR	
2	6004143	1	VAN SHELF FRAME	



OPTION, MID-HEIGHT SHELF FOR COMBINED VAN

Applies to 7455001-09 [7305137]



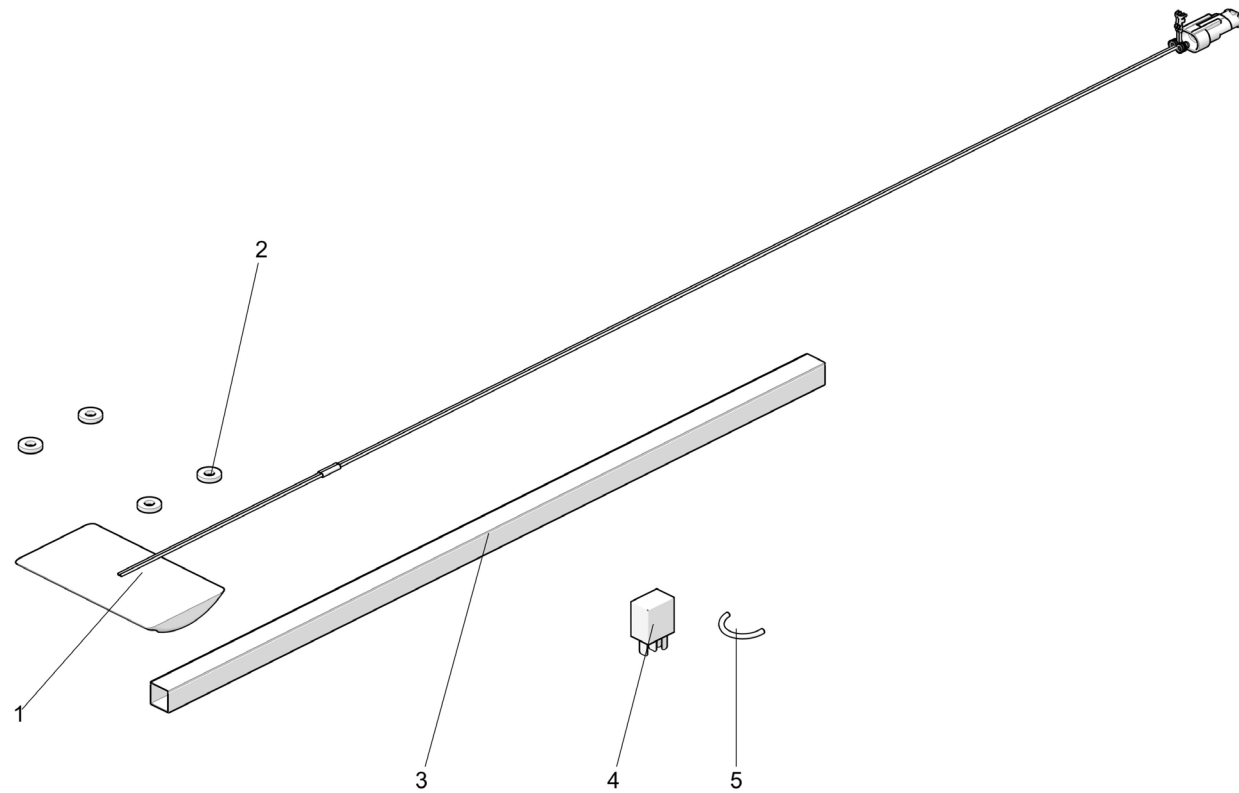
OPTION, MID-HEIGHT SHELF FOR COMBINED VAN

Applies to 7455001-09 [7305137]

Ref.	Part No.	Qty	Part Description	Notes
1	6110239	1	VAN SHELF FLOOR	
2	6004144	1	COMBINE VAN SHELF FRAME	

OPTION, INTERIOR LIGHT

Applies to 7455001-09 [7305146-01]



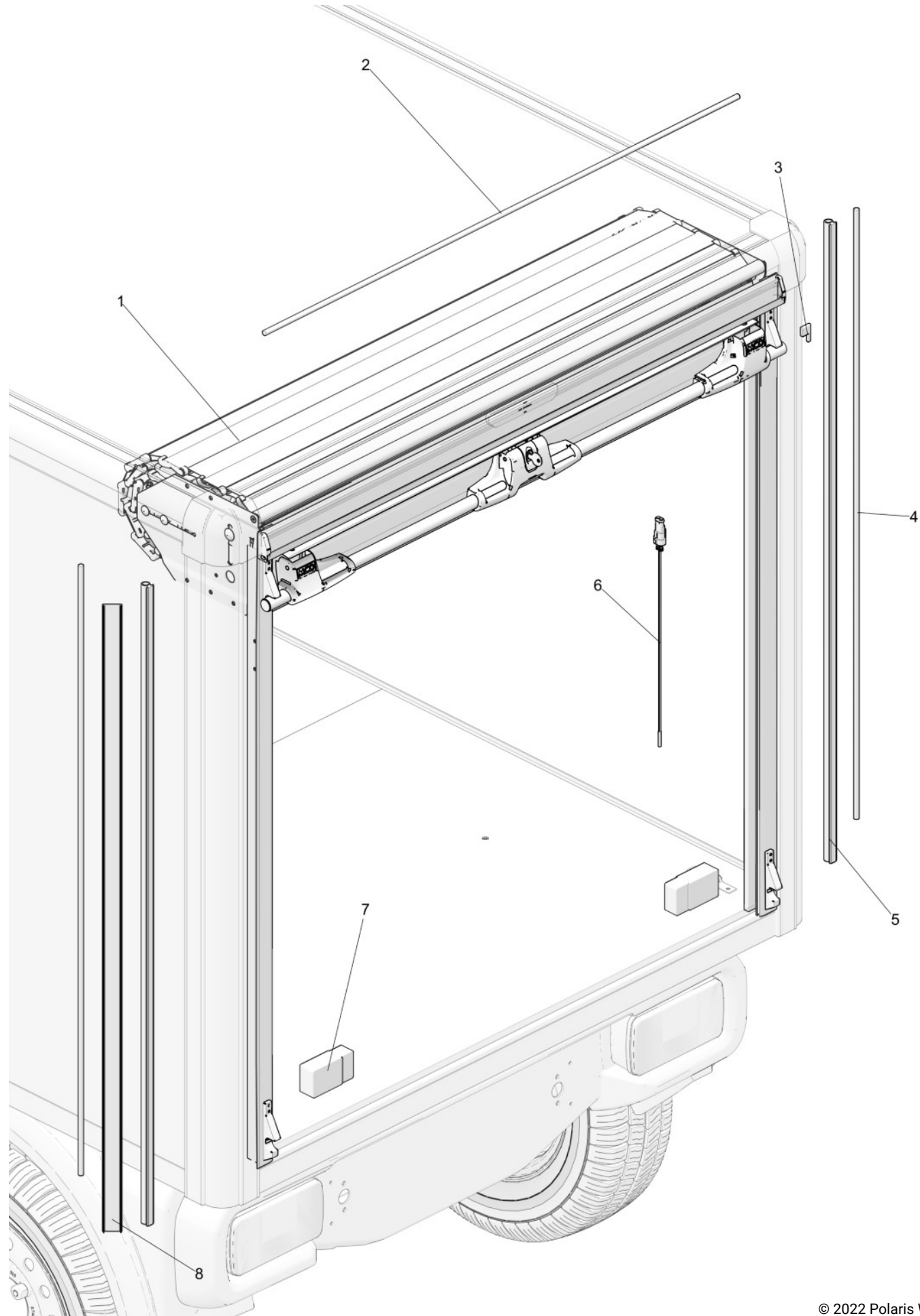
OPTION, INTERIOR LIGHT

Applies to 7455001-09 [7305146-01]

Ref.	Part No.	Qty	Part Description	Notes
1	7101476	1	CEILING LIGHT WITH ACCESSORIES	
2	4150798	4	SPACER	
3	4250130	0,58 ML	SPOUT	
4	3450237	1	MICRO RELAY 12V	
5	6200309	1	HARNESS	

OPTION, CENTRAL LOCKING FOR 2 SHUTTER

Applies to 7455001-09 [7305147-01]



© 2022 Polaris W&T

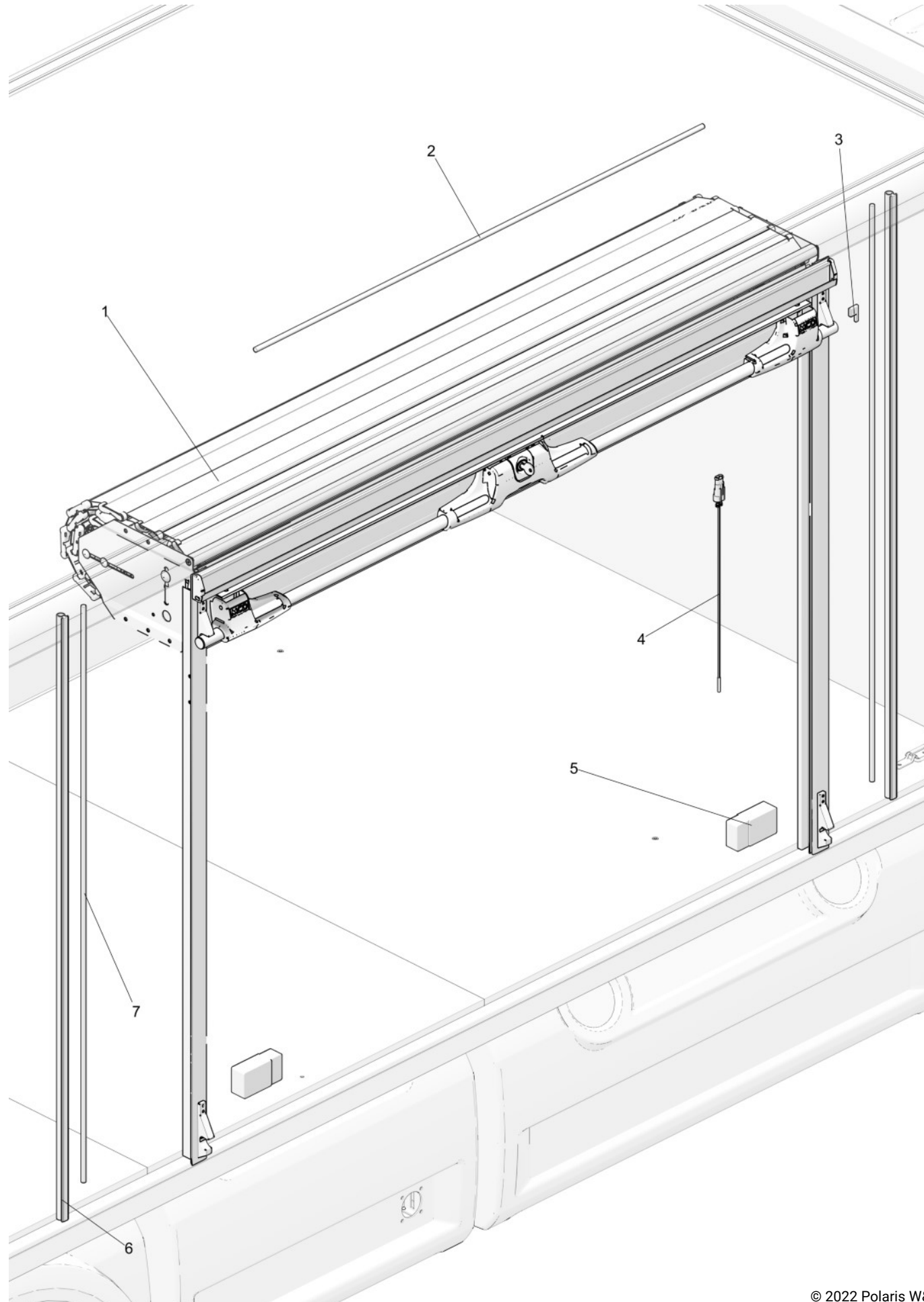
OPTION, CENTRAL LOCKING FOR 2 SHUTTER

Applies to 7455001-09 [7305147-01]

Ref.	Part No.	Qty	Part Description	Notes
1	6207304	1	ROLLING CURTAIN	
2	6200299	1	HARNESS	
3	4150950	1	SLAT TIP	
4	6200210	2	WIRING	
5	4250035	2	DOOR SEAL	
6	7101477	1	SENSOR WITH ACCESSORIES	
7	3450296	2	CURTAIN CENTRAL LOCKING	
8	7002234	1	FINISHING PROFILED SECTION	

OPTION, CENTRAL LOCKING ON SIDE SHUTTER

Applies to 7455001-09 [7305148-01]



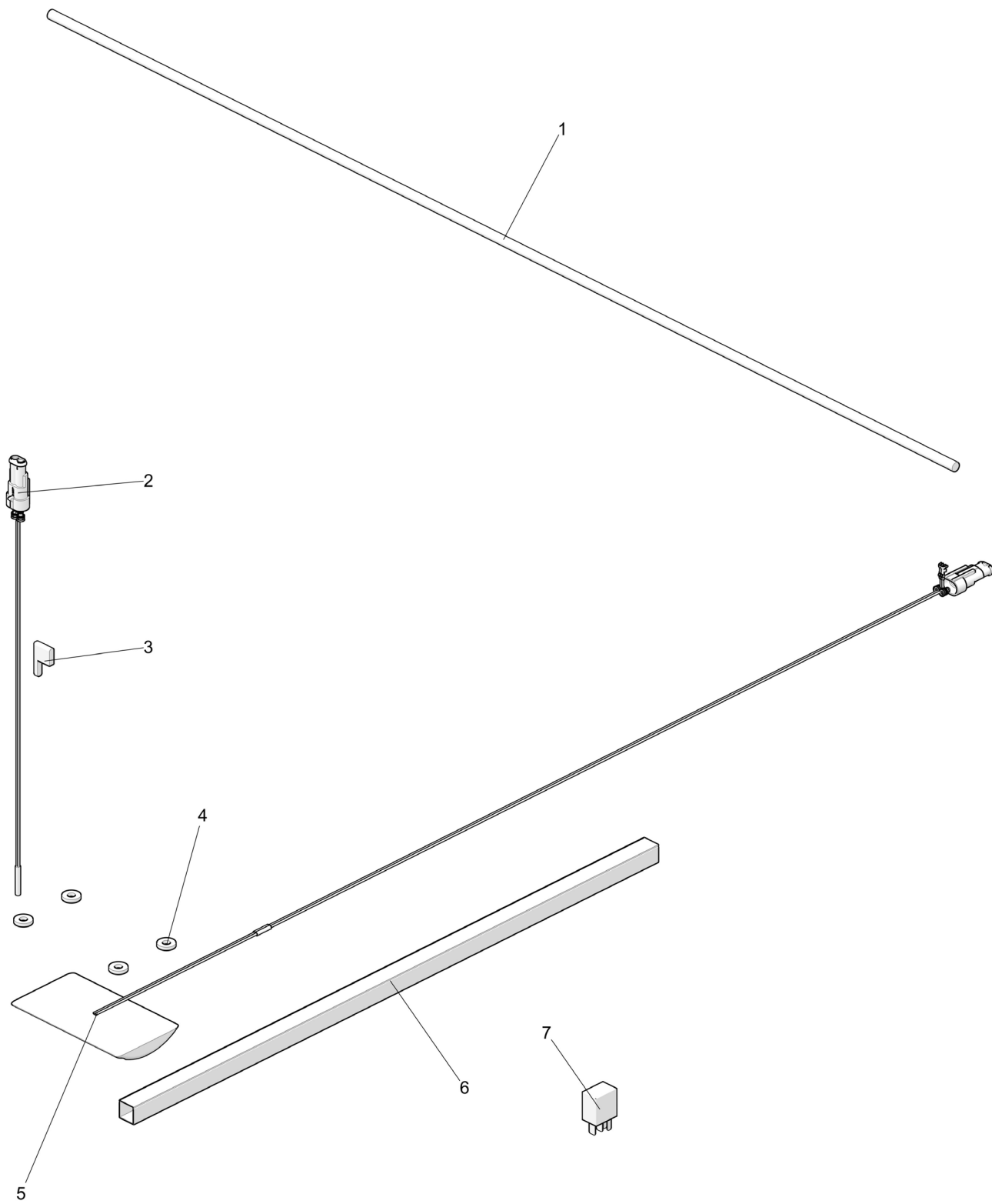
OPTION, CENTRAL LOCKING ON SIDE SHUTTER

Applies to 7455001-09 [7305148-01]

Ref.	Part No.	Qty	Part Description	Notes
1	6207323	1	LATERAL CURTAIN	
2	6200299	1	HARNESS	
3	4150950	1	SLAT TIP	
4	7101477	1	SENSOR WITH ACCESSORIES	
5	3450296	2	12V CURTAIN CENTRAL LOCKING	
6	4250035	2	DOOR SEAL	
7	6200210	2	WIRING	

OPTION, INTERIOR LIGHT FOR 1 SHUTTER

Applies to 7455001-09 [7305149-01]



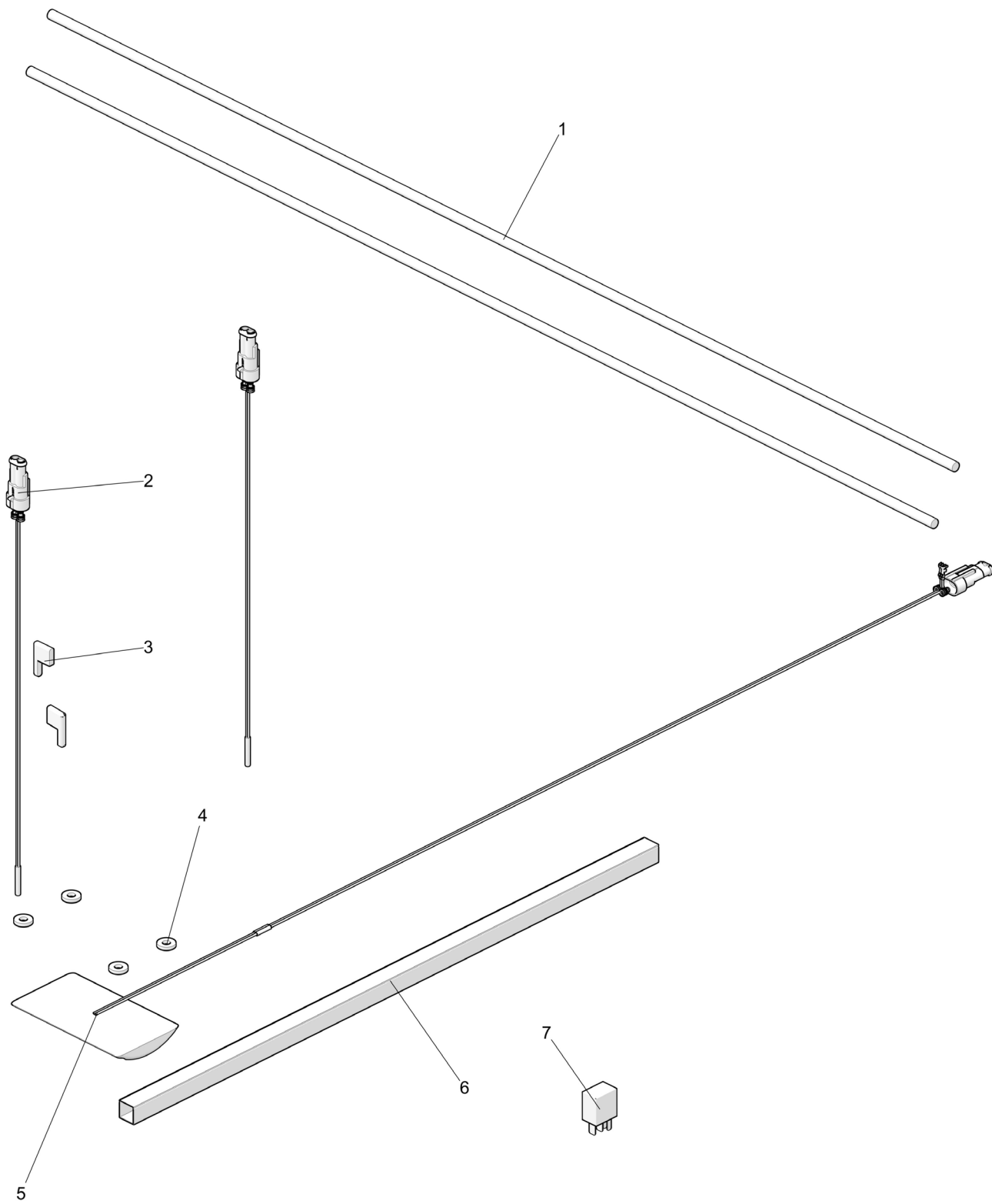
OPTION, INTERIOR LIGHT FOR 1 SHUTTER

Applies to 7455001-09 [7305149-01]

Ref.	Part No.	Qty	Part Description	Notes
1	6200299	1	HARNESS	
2	7101477	1	SENSOR WITH ACCESSORIES	
3	4150950	1	SLAT TIP	
4	4150798	4	SPACER	
5	7101476	1	CEILING LIGHT WITH ACCESSORIES	
6	4250130	0,58 ML	SPOUT	
7	3450237	1	MICRO RELAY 12V	

OPTION, INTERIOR LIGHT FOR 2 SHUTTERS

Applies to 7455001-09 [7305150-01]



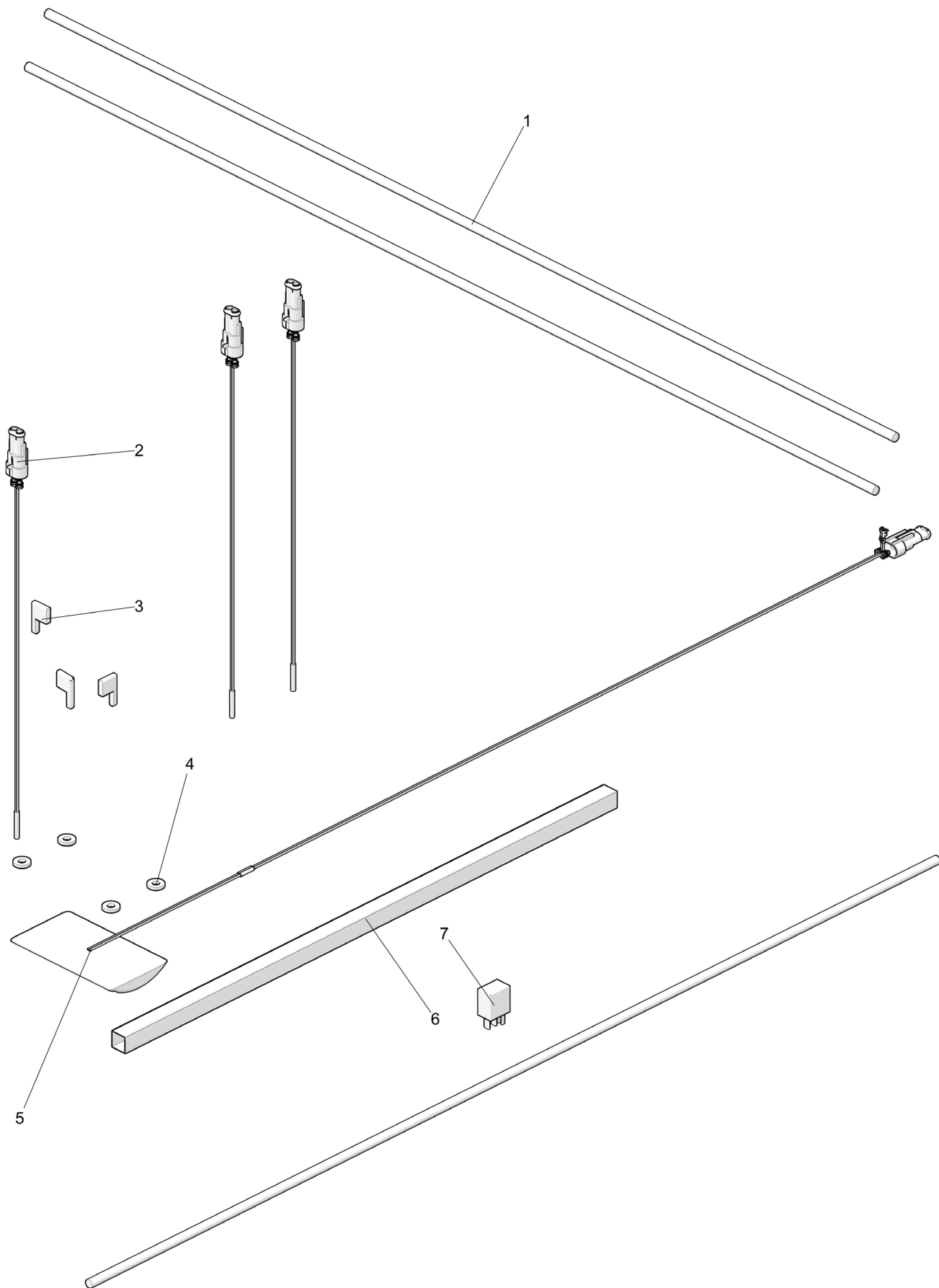
OPTION, INTERIOR LIGHT FOR 2 SHUTTERS

Applies to 7455001-09 [7305150-01]

Ref.	Part No.	Qty	Part Description	Notes
1	6200299	2	HARNESS	
2	7101477	2	SENSOR WITH ACCESSORIES	
3	4150950	2	SLAT TIP	
4	4150798	4	SPACER	
5	7101476	1	CEILING LIGHT WITH ACCESSORIES	
6	4250130	0,58 ML	SPOUT	
7	3450237	1	MICRO RELAY 12V	

OPTION, INTERIOR LIGHT FOR 3 SHUTTERS

Applies to 7455001-09 [7305151-01]



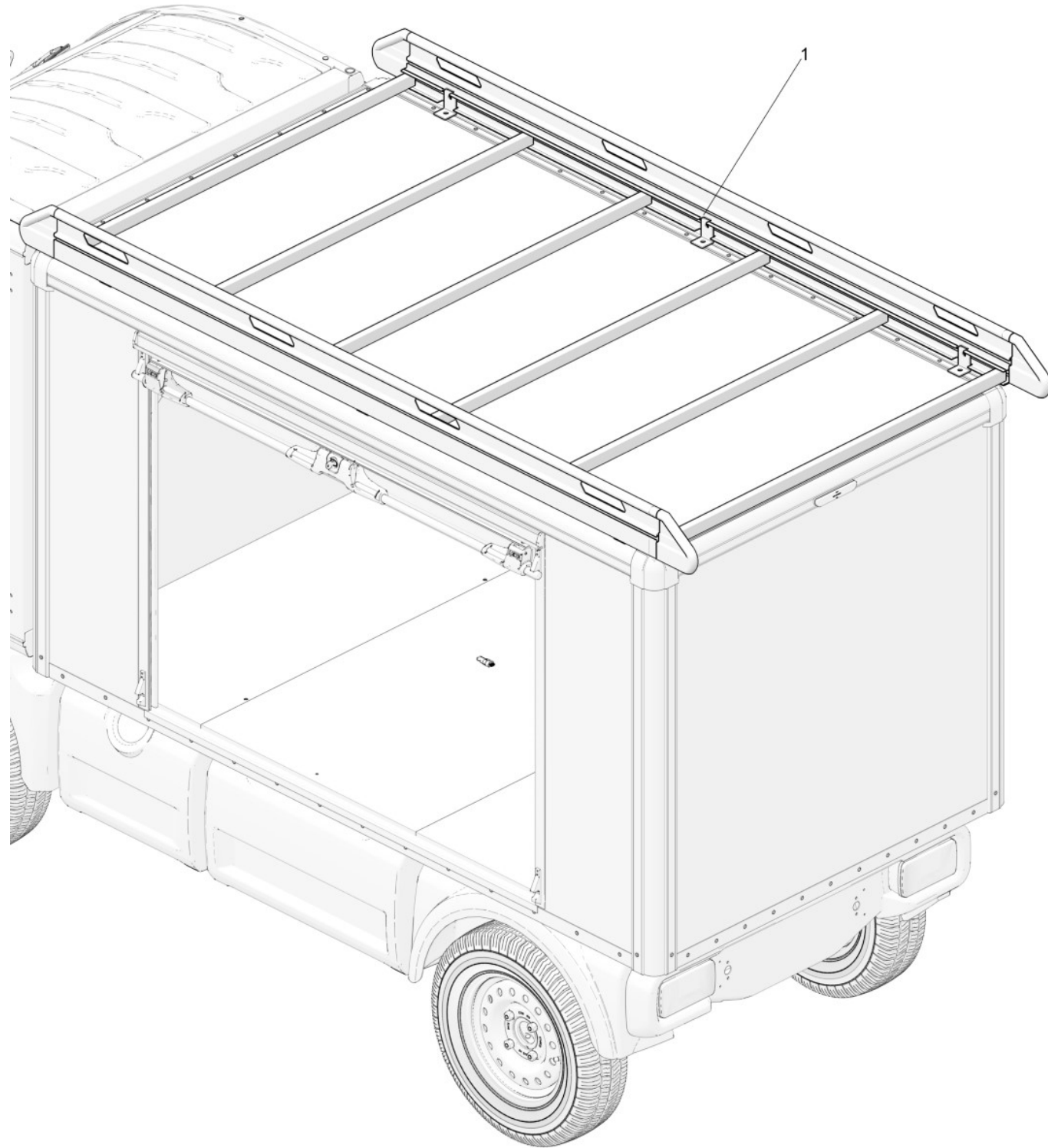
OPTION, INTERIOR LIGHT FOR 3 SHUTTERS

Applies to 7455001-09 [7305151-01]

Ref.	Part No.	Qty	Part Description	Notes
1	6200299	3	HARNESS	
2	7101477	3	SENSOR WITH ACCESSORIES	
3	4150950	3	SLAT TIP	
4	4150798	4	SPACER	
5	7101476	1	CEILING LIGHT WITH ACCESSORIES	
6	4250130	0,58 ML	SPOUT	
7	3450237	1	MICRO RELAY 12V	

*OPTION, ROOF RACK*

**Applies to 7455001-09 [7305141-01]**



*OPTION, ROOF RACK*

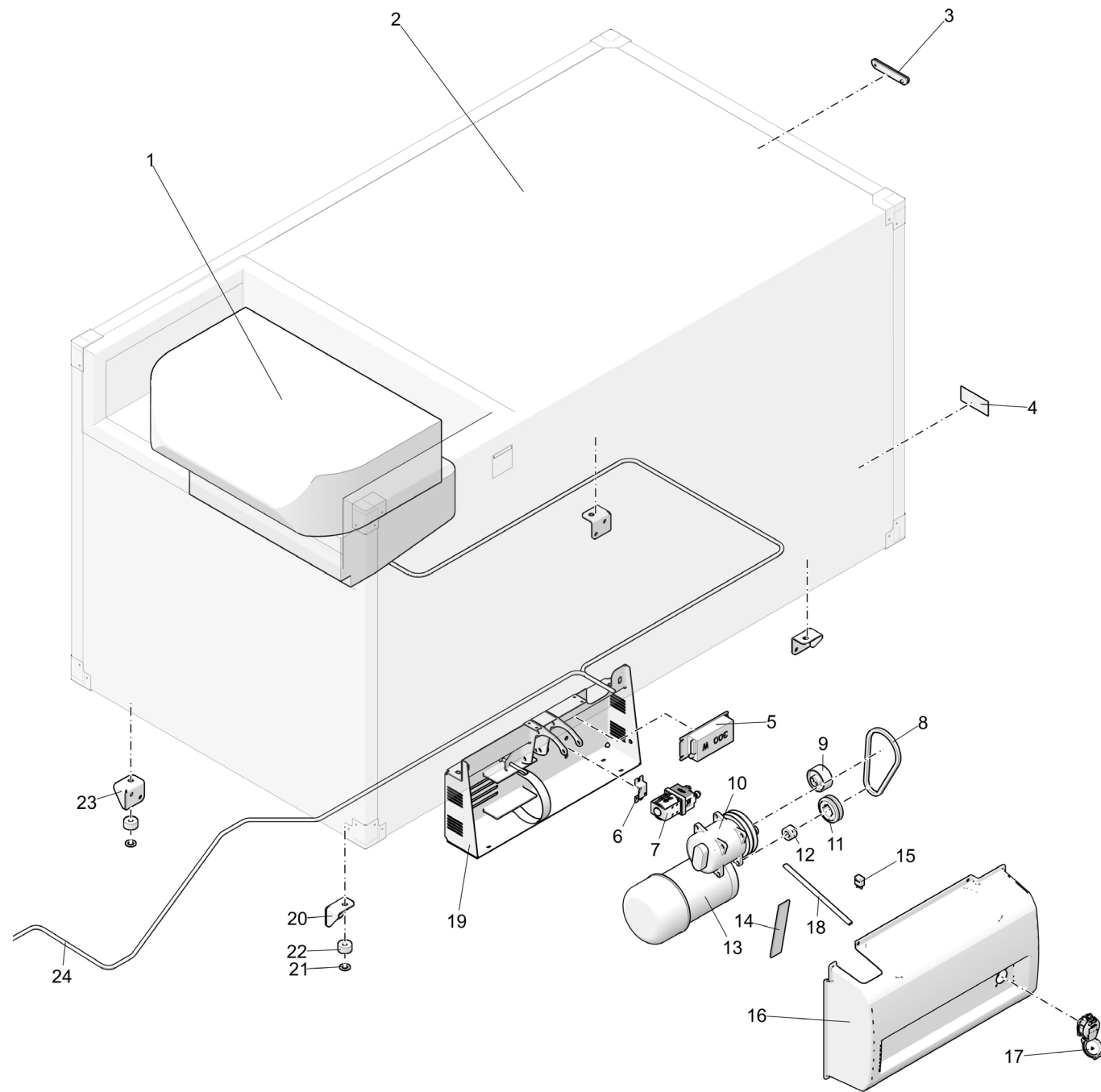
**Applies to 7455001-09 [7305141-01]**

Ref.	Part No.	Qty	Part Description	Notes
1	6207396	1	ROOF RACK	



OPTION, REEFER VAN FRCX BUILT IN COLD UNIT

Applies to 7455001-09 [7305140]



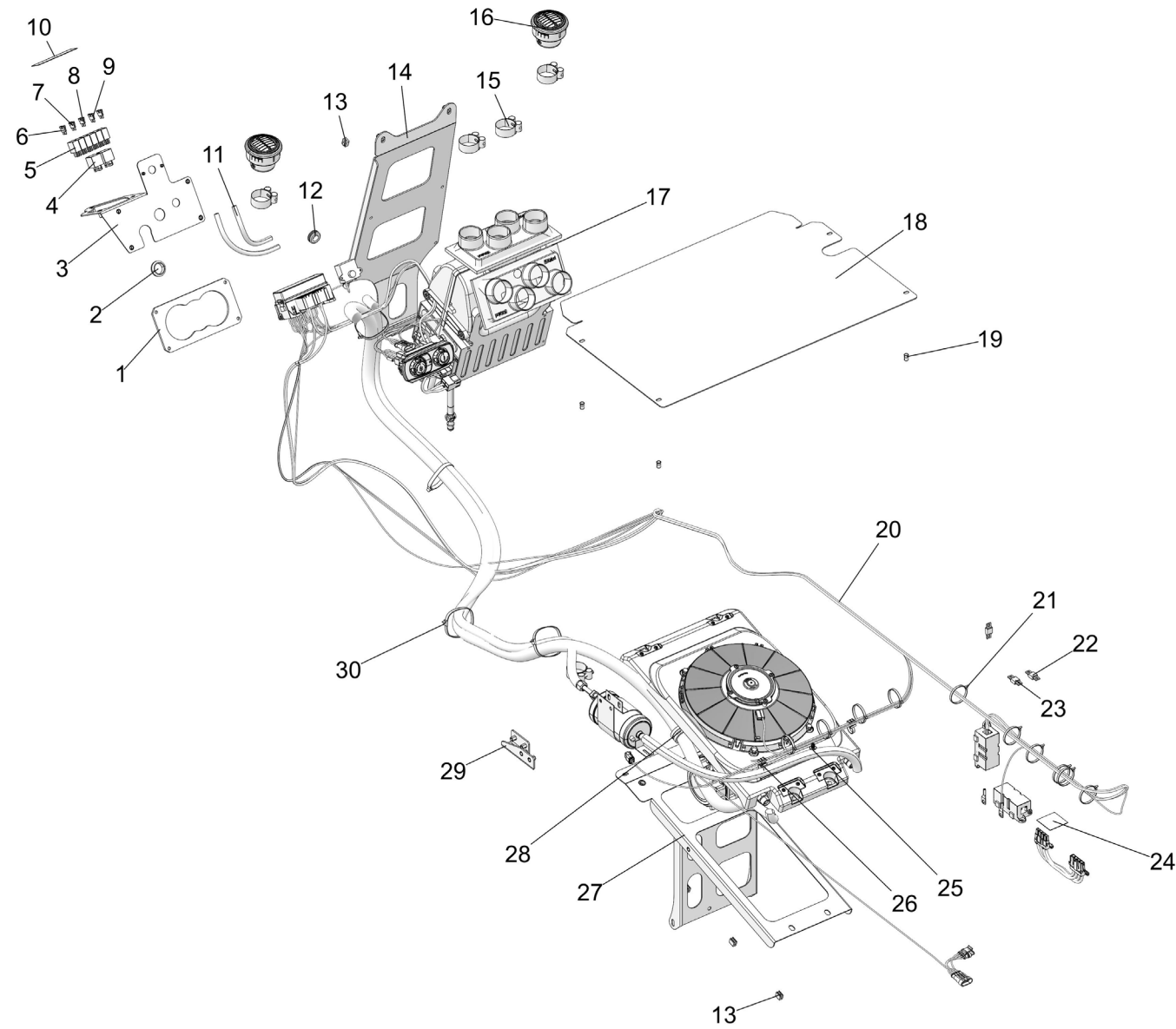
OPTION, REEFER VAN FRCX BUILT IN COLD UNIT

Applies to 7455001-09 [7305140]

Ref.	Part No.	Qty	Part Description	Notes
1	4200286	1	CHILLER UNIT CLASS C	
2	6200738	1	REEFER VAN	
3	3550130	1	STOP LIGHT	
4	6500589	1	STICKER	
5	3500246	1	CONVERTER	
6	3500010	1	ATTACHMENT OMEGA	
7	3500141	1	SWITCH	
8	2100754	1	CHILLER UNIT BELT	
9	4151028	1	TENSION IDLER PULLEY	
10	2100755	1	COMPRESSOR CHILLER UNIT	
11	4200075	1	PULLEY	
12	4200074	1	HUB	
13	3500078	1	ELECTRIC MOTOR	
14	4150404	1	RUBBER BAND	
15	3450237	1	MICRO RELAY 12V	
16	6207428	1	LATERAL REAR LH COVER	
17	3450516	1	CONTROL SCREEN	
18	4250015	1	SEAL COVER	
19	6004212	1	COMPRESSOR HOLDER	
20	6109855	2	SUPPORT	
21	5300008	4	WASHER	
22	6110226	4	RUBBER SPACER	
23	6109854	2	SUPPORT	
24	6200753	1	REEFER VAN G4 HARNESS	

OPTION, AIR-CONDITIONING G4

Applies to 7455001-09 [7305008-01]



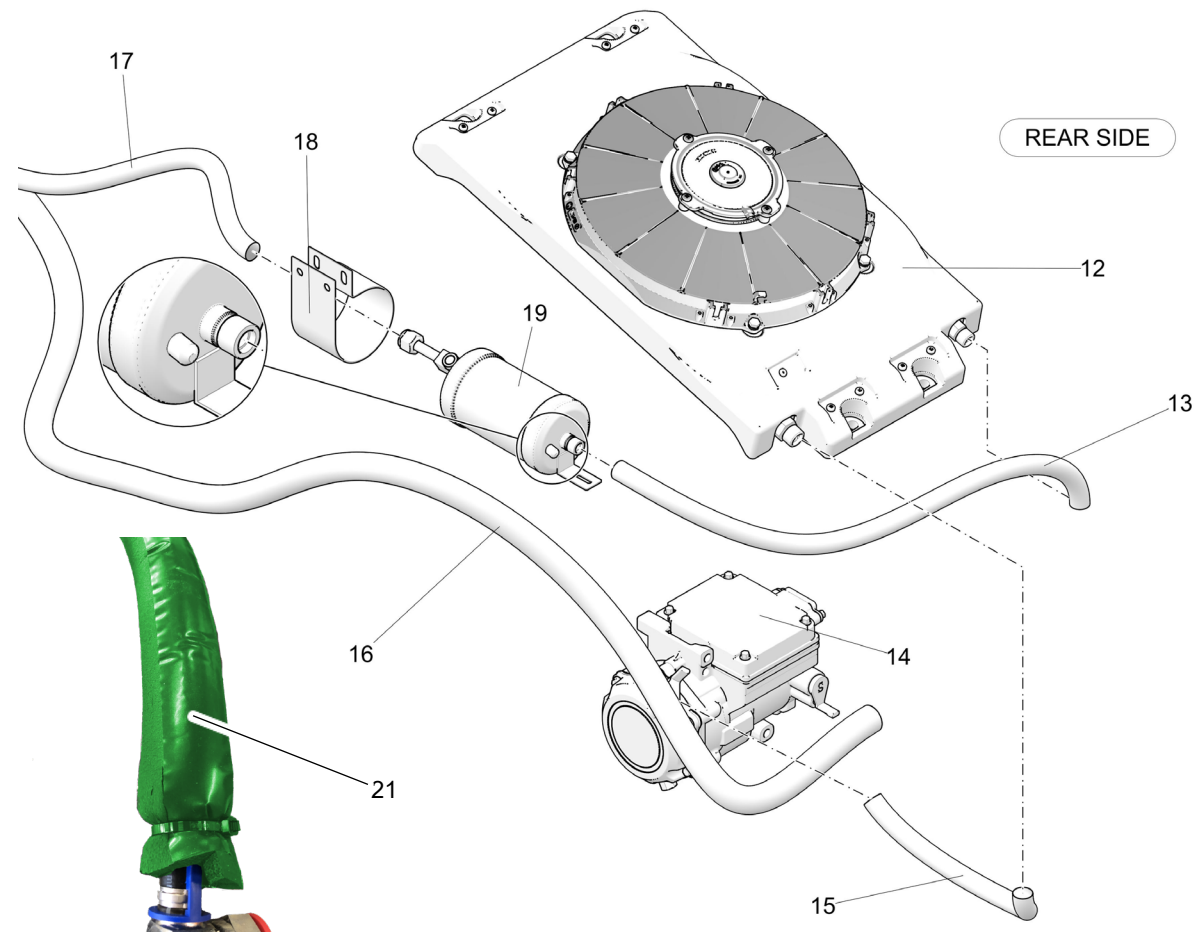
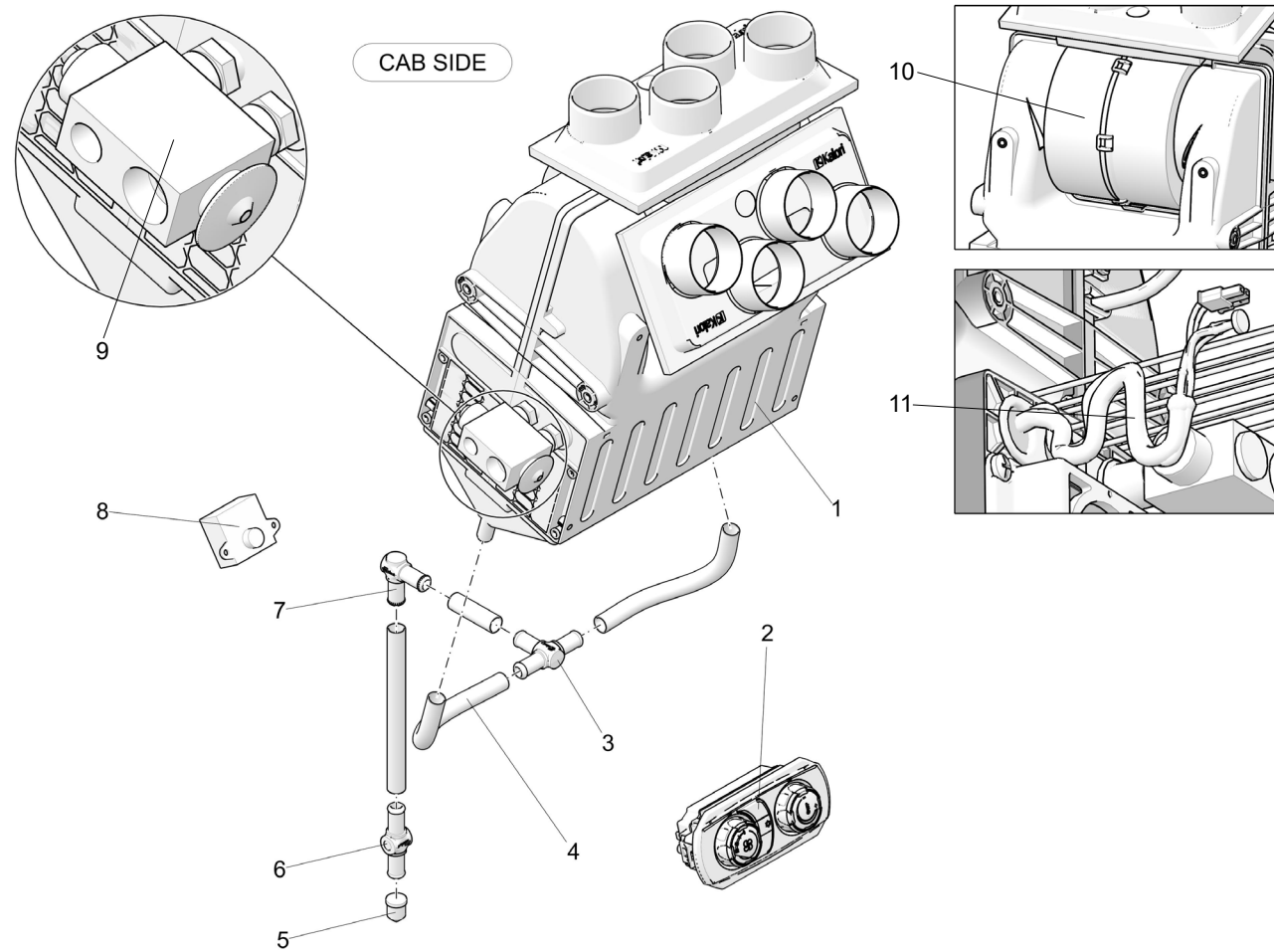
OPTION, AIR-CONDITIONING G4

Applies to 7455001-09 [7305008-01]

Ref.	Part No.	Qty	Part Description	Notes
1	6207301-01	1	HEATING SEAL	
2	4250203	1	BUSHING	
3	6004336	1	FRONT PANEL SHUTTER	
4	3450436	2	RELAY	
5	3450237	6	MICRO RELAY 12V	
6	3450021	2	BLADE FUSE 15A	
7	3450041	1	BLADE FUSE 20A	
8	3450507	1	BLADE FUSE 2A	
9	3450019	1	BLADE FUSE 5A	
10	6500560	1	STICKER	
11	3500248	1	AIR CONDITIONING FLEXIBLE KIT LH DRIVE	
12	4250008	1	CABLE GLAND	
13	3450363	4	CLIP	
14	6109975	1	AIR CONDITIONING UNIT MOUNTING PLATE	
15	4000290	4	COLLAR	
16	4150780	2	AIR OUTLET Ø55	
17	3500239	1	KIT AIR CONDITIONING	
18	6110957	1	AIR CONDITIONING COVER	
19	5250042	4	INSERT	
20	6200784	1	HARNESS	
21	3200005	10	COLLAR	
22	3450509	1	FUSE 30A	
23	3450399	2	FUSE 60A	
24	6500562	1	STICKER	
25	3200045	2	COLLAR	
26	3450441	2	CLIP	
27	6004166	1	COMPRESSOR BRACKET	
28	4150223	1	COLLAR	
29	6004300	1	AIR CONDITIONING FILTER BRACKET	
30	3200014	4	COLLAR	

OPTION, AIR-CONDITIONING G4

Applies to 7455001-09 [7305008-01]



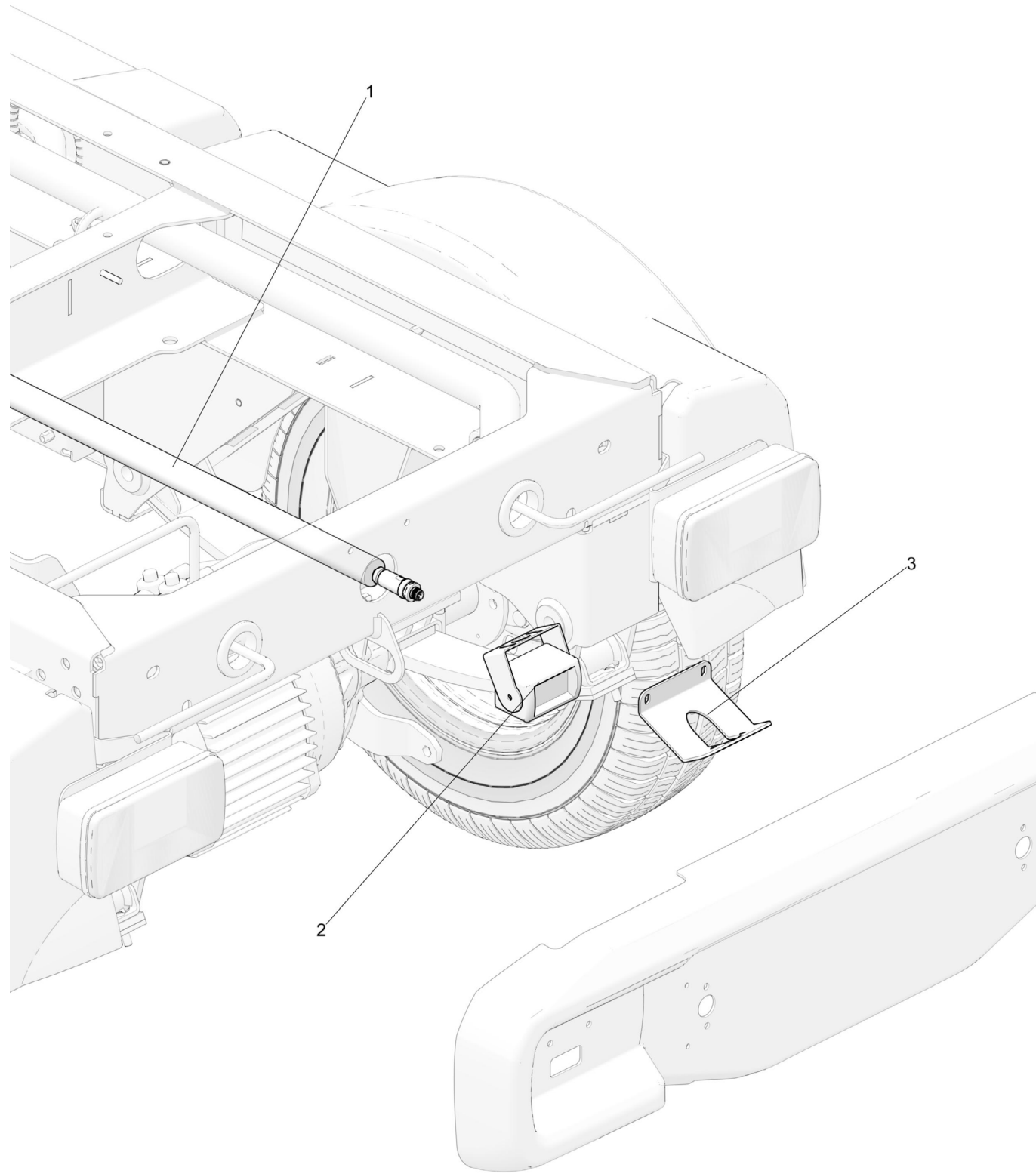
OPTION, AIR-CONDITIONING G4

Applies to 7455001-09 [7305008-01]

Ref.	Part No.	Qty	Part Description	Notes
1	2101061	1	EHVAC MK0 UNIT	
2	2101066	1	PC K1601 MODULE	
3	2101055	1	TE CONNECTION	
4	2101068	1	CONDENSATE HOSE	
5	2101056	1	BREAK BREEZE	
6	2101060	1	STRAIGHT FITTING	
7	2101053	1	ELBOW FITTING	
8	2101058	1	ELECTRONIC THERMOSTAT	
9	7140614	1	REGULATOR KIT	
10	2101075	1	FAN	
11	2101074	1	ANTI FROST PROBE	
12	2101064	1	CONDENSER	
13	2101070	1	FLEXIBLE	
14	2101062	1	AC COMPRESSOR	
15	2101067	1	FLEXIBLE	
16	2101065	1	FLEXIBLE	
17	2101069	1	FLEXIBLE	
18	2101057	1	DEHYDRATOR FILTER SUPPORT	
19	2101063	1	DEHYDRATOR FILTER	
20	2101054	1	BINARY PRESSURE SWITCH	
21	2101071	2	INSULATING SLEEVE	

*OPTION, REAR VIEW CAMERA (LEAD ACID)*

**Applies to 7455001-09 [7305027-03]**



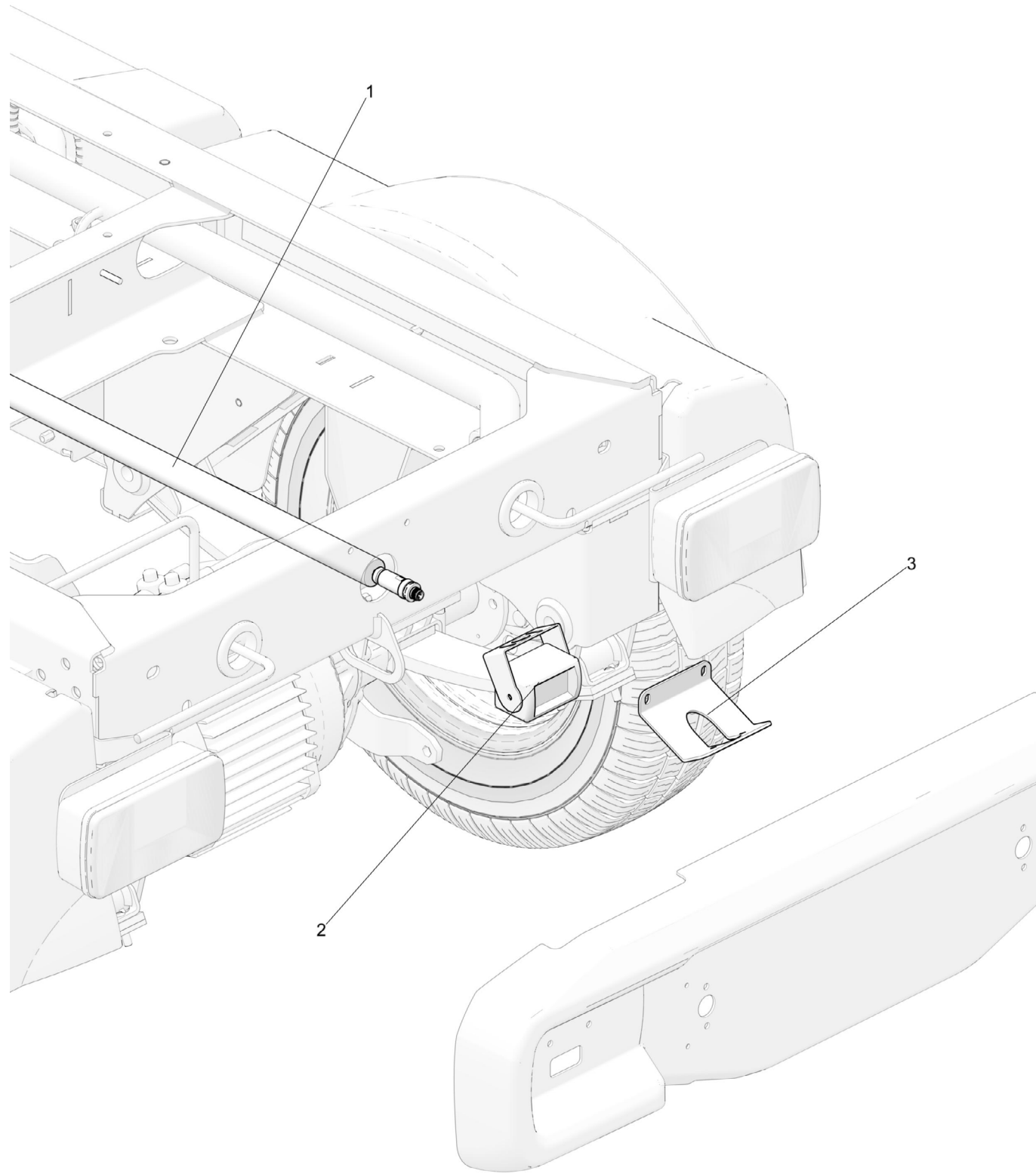
*OPTION, REAR VIEW CAMERA (LEAD ACID)*

**Applies to 7455001-09 [7305027-03]**

Ref.	Part No.	Qty	Part Description	Notes
1	6200831	1	CAMERA HARNESS	
2	3500251	1	REAR VIEW CAMERA	
3	6111129	1	REAR VIEW CAMERA BRACKET	

*OPTION, REAR VIEW CAMERA (LITHIUM)*

**Applies to 7455001-09 [7305195]**



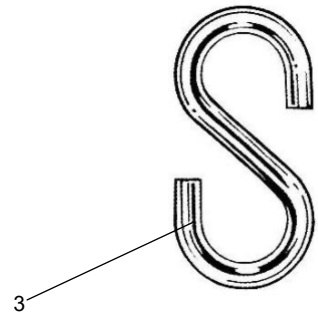
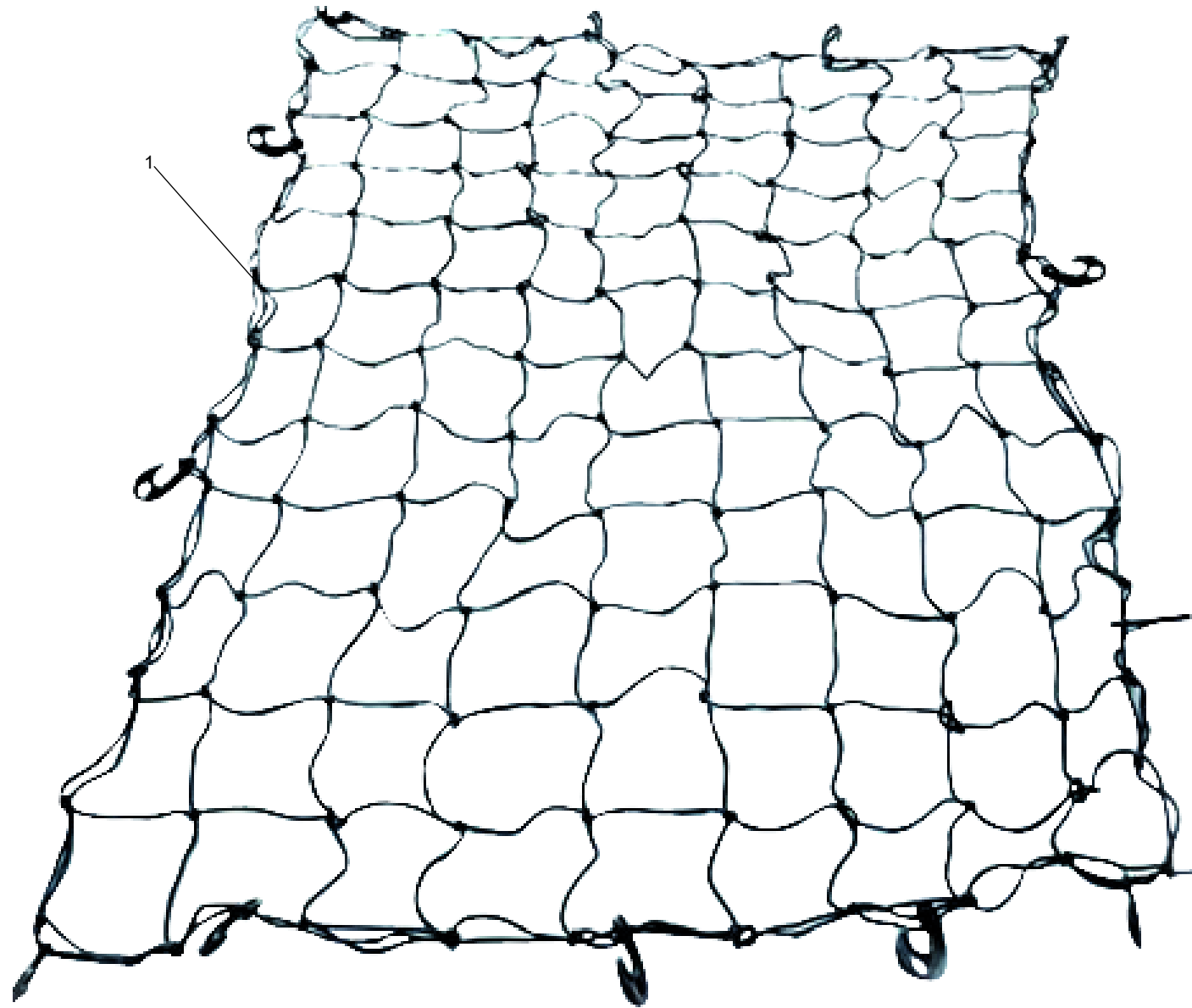
*OPTION, REAR VIEW CAMERA (LITHIUM)*

**Applies to 7455001-09 [7305195]**

Ref.	Part No.	Qty	Part Description	Notes
1	6200831	1	CAMERA HARNESS	
2	3500251	1	REAR VIEW CAMERA	
3	6111129	1	REAR VIEW CAMERA BRACKET	

OPTION, NET ON METAL CAGE

Applies to 7455001-09 [7305117]



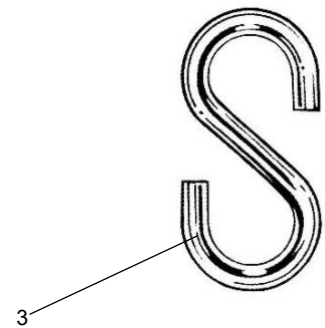
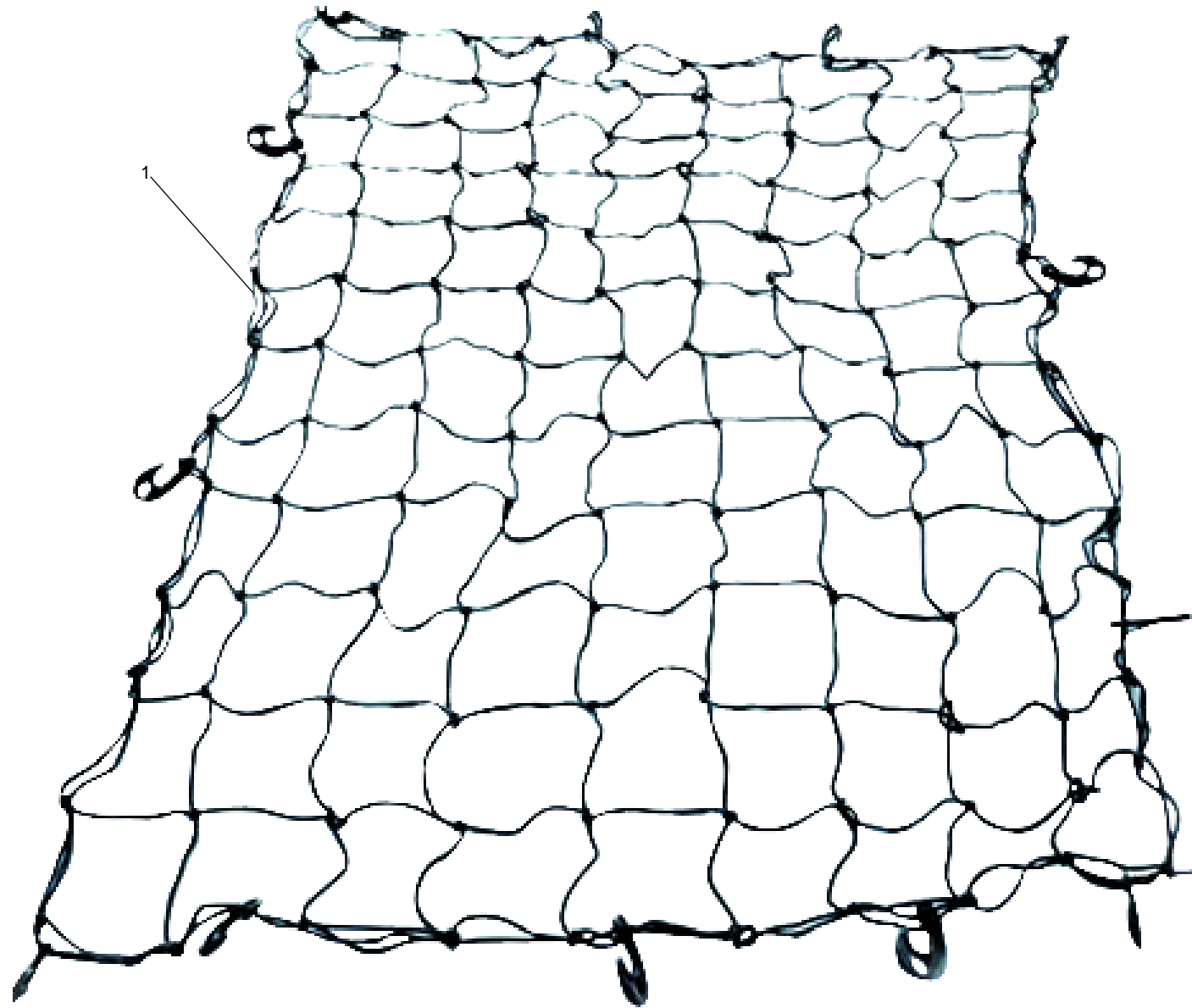
OPTION, NET ON METAL CAGE

Applies to 7455001-09 [7305117]

Ref.	Part No.	Qty	Part Description	Notes
1	6004191	1	NET	3300 X 1600
2	2100680	3	PLASTIC HOOK	
3	4150359	19	HOOK	

OPTION, NET ON METAL CAGE

Applies to 7455001-09 [7305118]



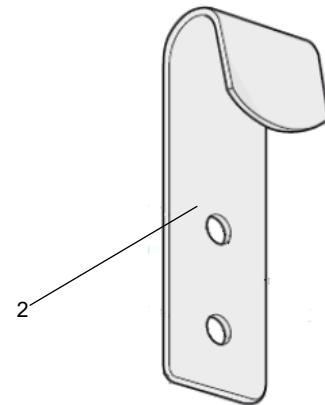
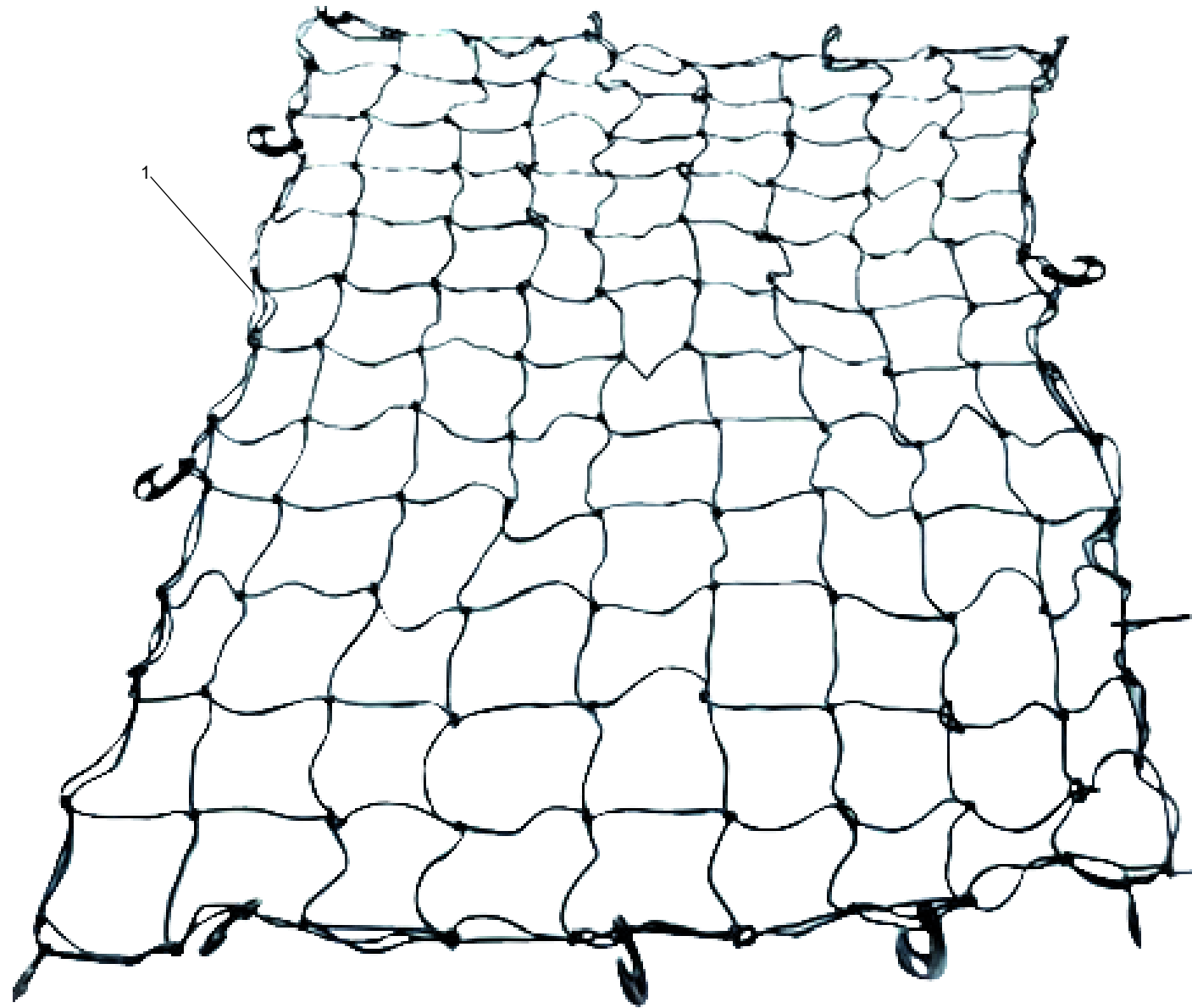
OPTION, NET ON METAL CAGE

Applies to 7455001-09 [7305118]

Ref.	Part No.	Qty	Part Description	Notes
1	6004191	1	NET	2750 X 1600
2	2100680	3	PLASTIC HOOK	
3	4150359	17	HOOK	

OPTION, NET ON METAL CAGE

Applies to 7455001-09 [7305122]



OPTION, NET ON METAL CAGE

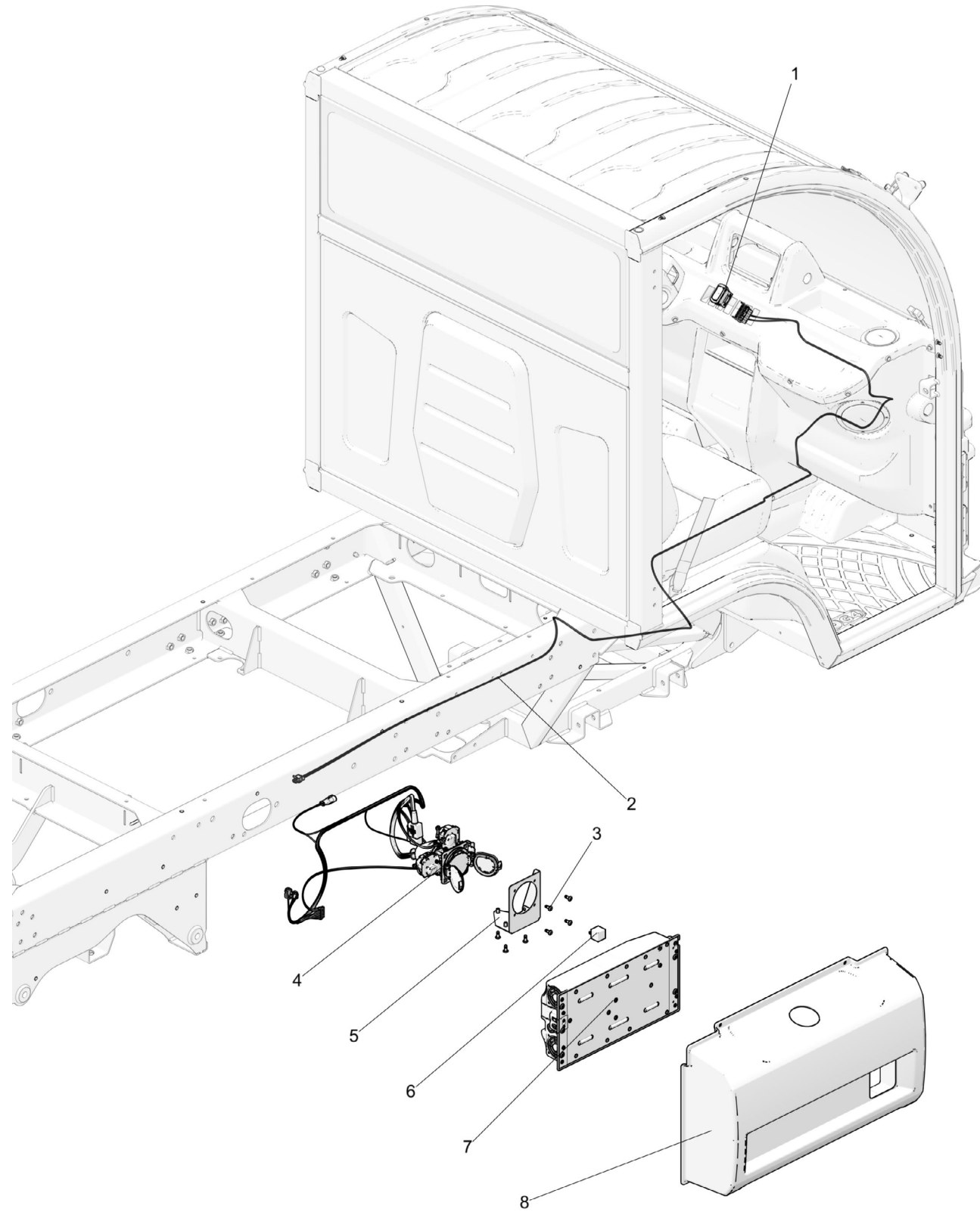
Applies to 7455001-09 [7305122]

Ref.	Part No.	Qty	Part Description	Notes
1	6004354	1	NET	2200 X 1500
2	4150058	10	TARPAULIN HOOK	



OPTION, MODE 2/3 CHARGING

Applies to 7455001-09 [7305200]



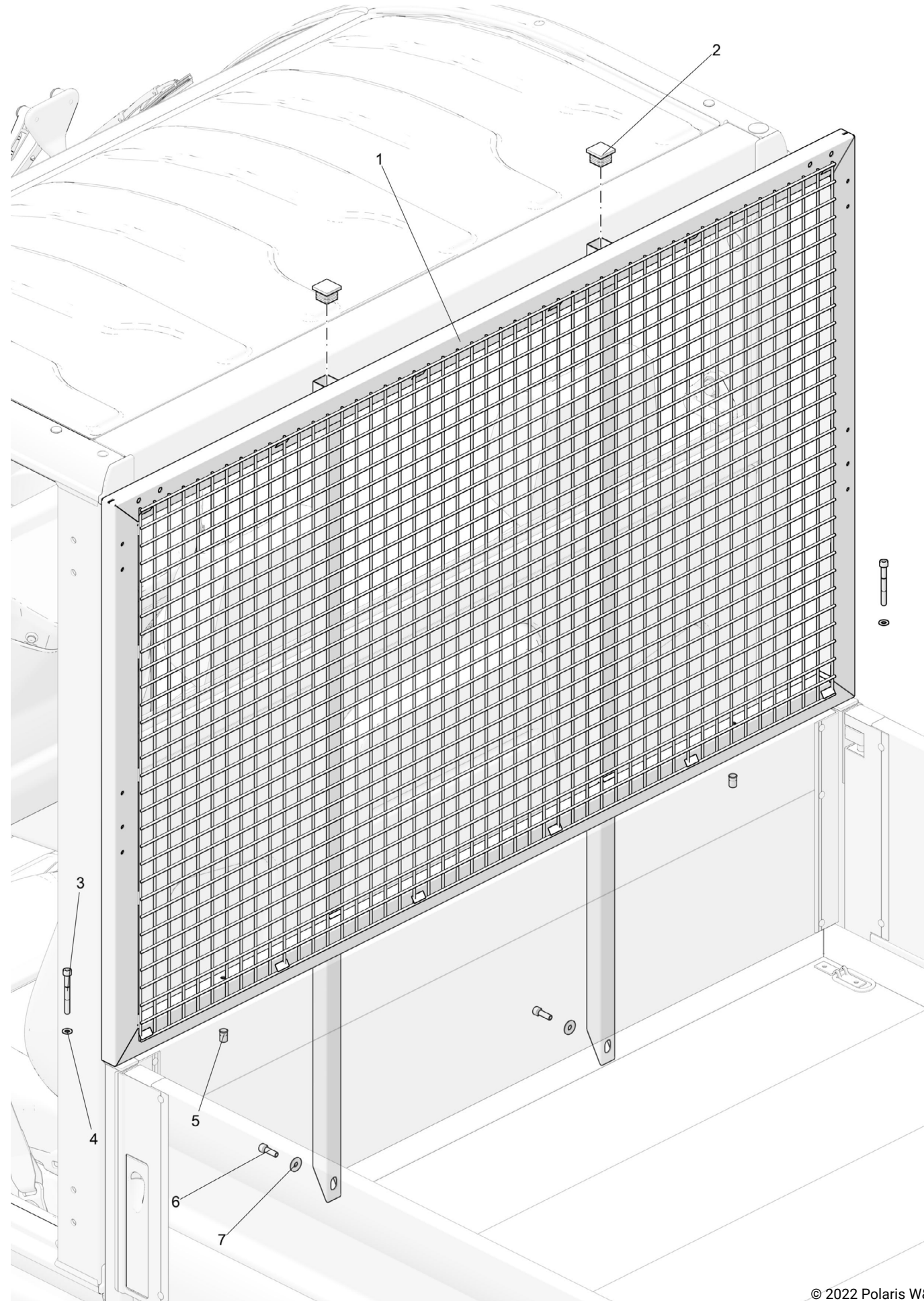
OPTION, MODE 2/3 CHARGING

Applies to 7455001-09 [7305200]

Ref.	Part No.	Qty	Part Description	Notes
1	3450471	1	SWITCH	
2	6207742	1	TYPE 2 PLUG HARNESS	
3	5105079	7	SCREW	
4	6207739	1	TYPE 2 PLUG HARNESS	
5	6004369	1	SUPPORT	
6	3450436	1	RELAY	INCLUDES 5, 6, 8
7	3500261	1	CHARGER	
8	6207479	1	REAR LATERAL RH COVER	
↓	1410077	1	CHARGER PARAMETER	
↓	1410079	1	CHARGER PARAMETER	

OPTION, FRONT MESH CAGE

Applies to 7455001-09 [7305198]



© 2022 Polaris W&T

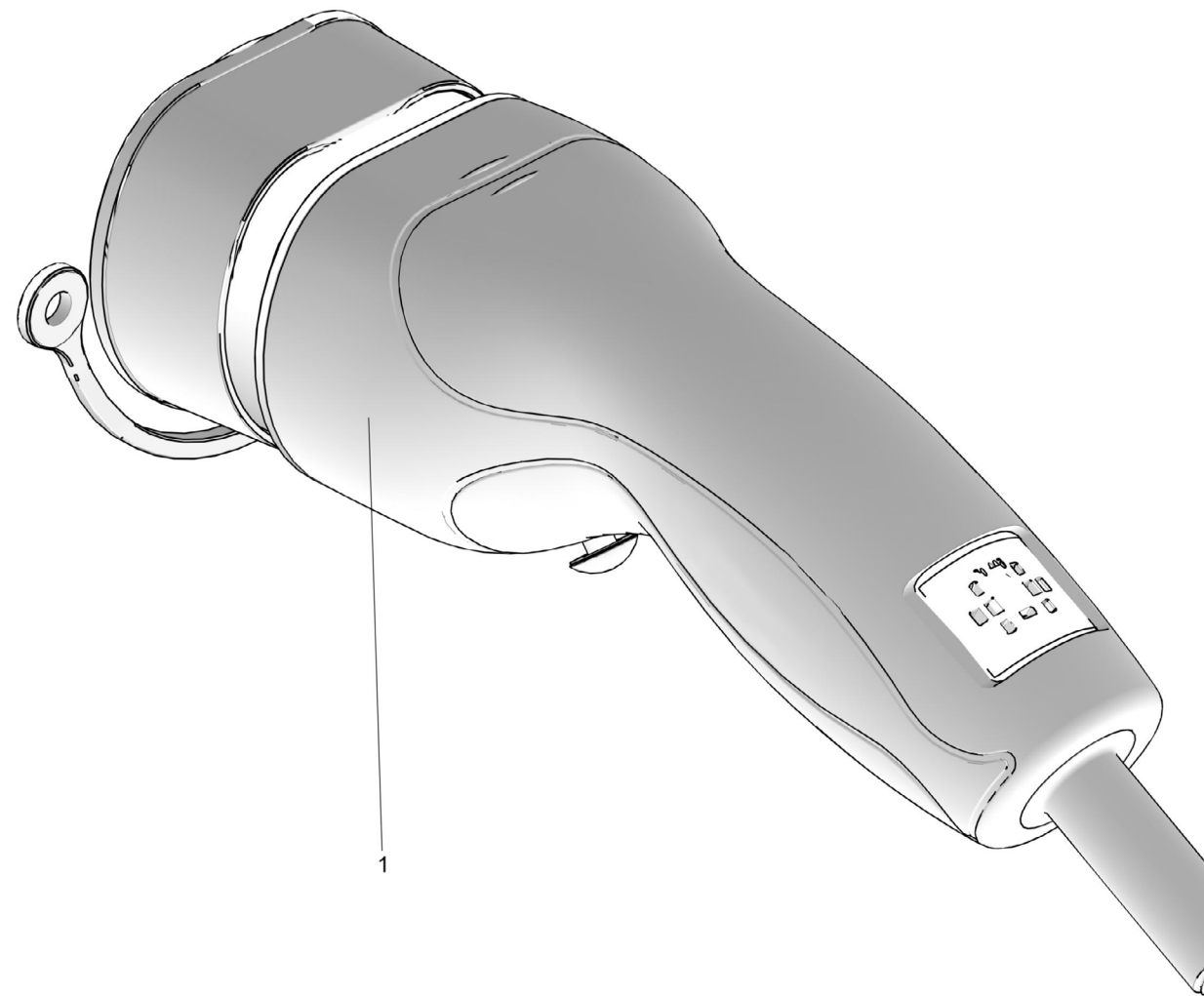
OPTION, FRONT MESH CAGE

Applies to 7455001-09 [7305198]

Ref.	Part No.	Qty	Part Description	Notes
1	6004398	1	FRONT GRID	
2	4150106	4	PLUG	
3	5000061	2	BOLT	
4	5300006	10	M6 WASHER	
5	5250031	2	INSERT	
6	5000013	10	BOLT	
7	5300019	2	WASHER	

OPTION, TYPE 2/NF CABLE

Applies to 7455001-09 [7305201]



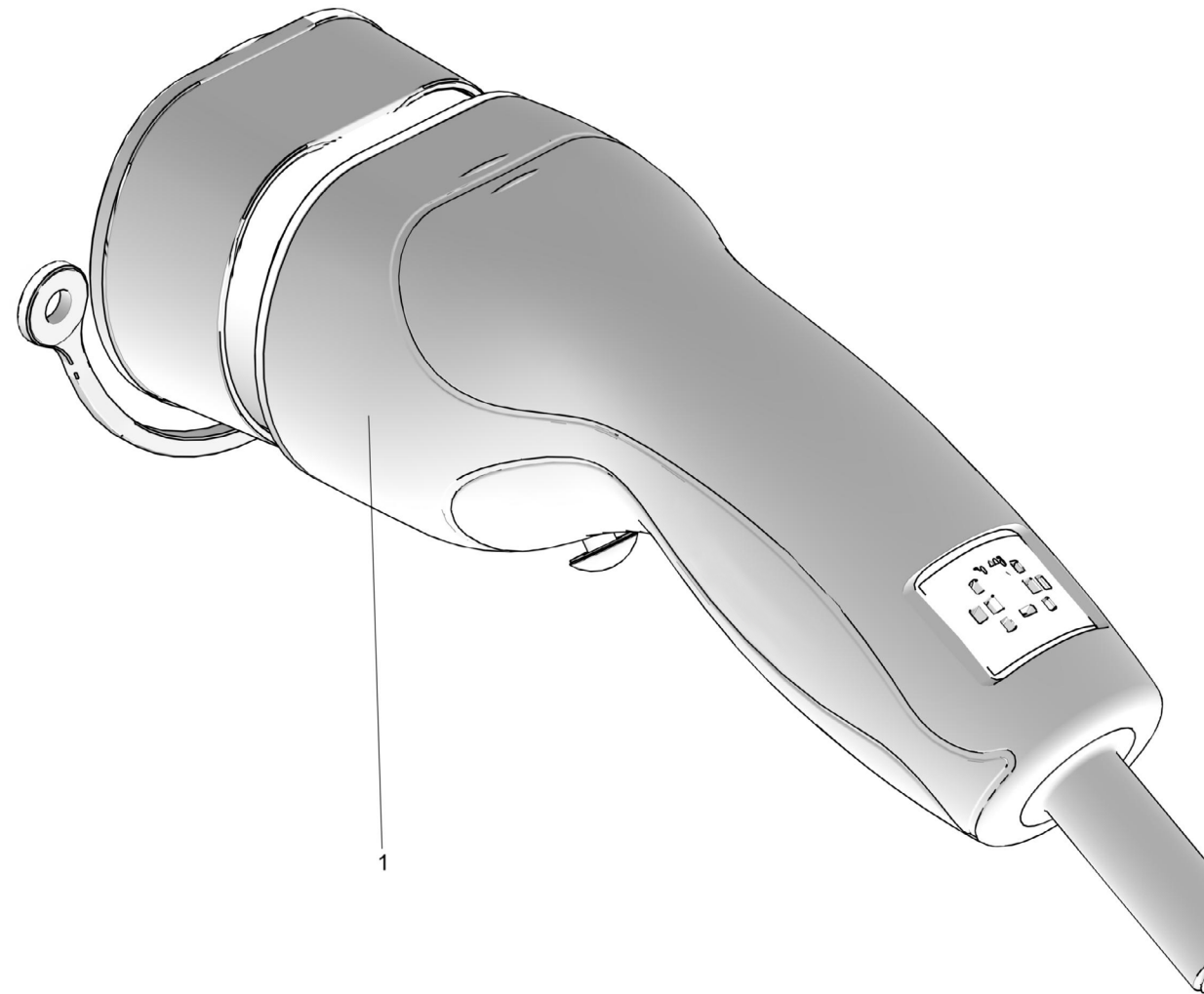
OPTION, TYPE 2/NF CABLE

Applies to 7455001-09 [7305201]

Ref.	Part No.	Qty	Part Description	Notes
1	3450632	1	CHARGE CABLE	

OPTION, TYPE 2/TYPE 2 CABLE

Applies to 7455001-09 [7305202]



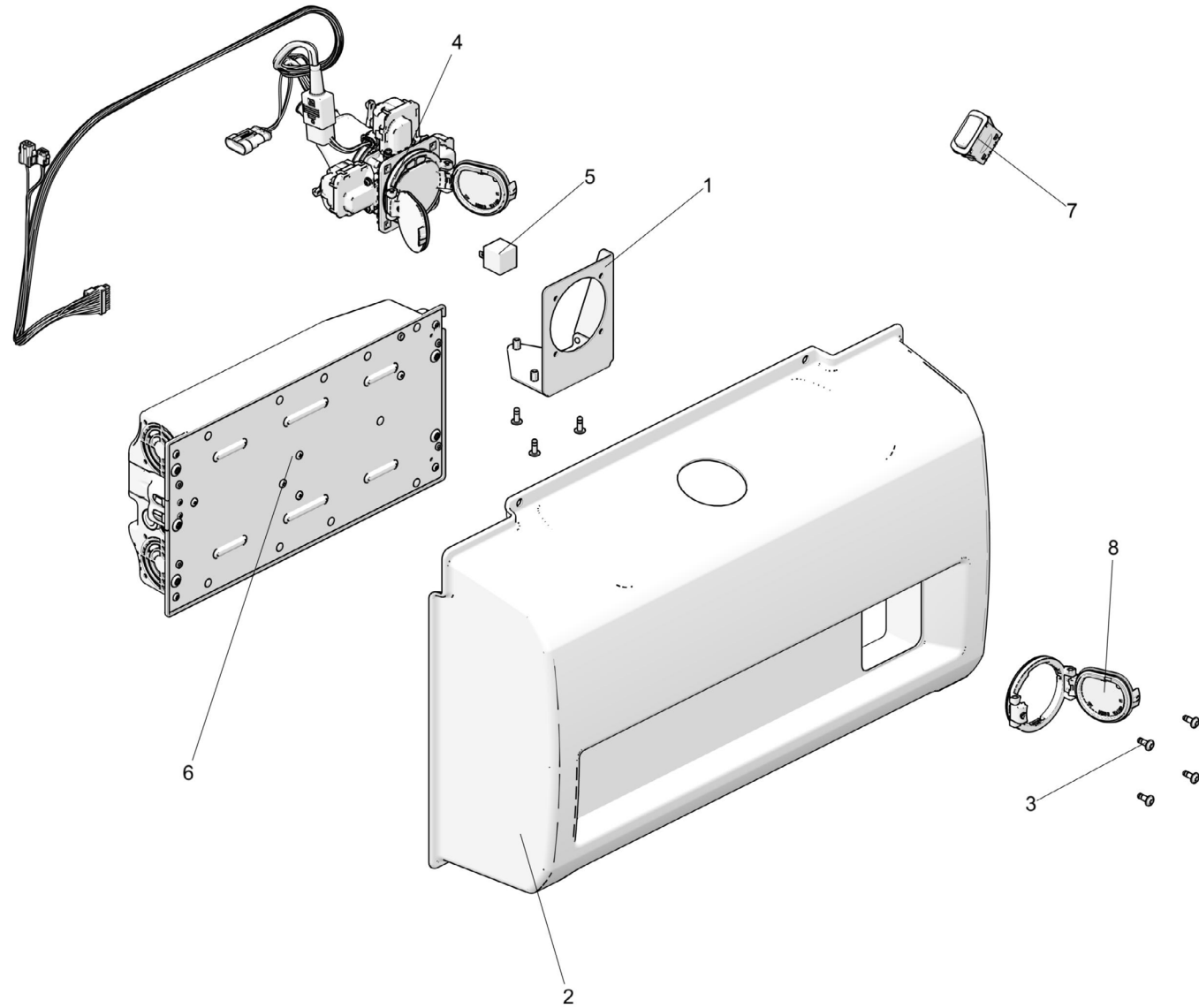
OPTION, TYPE 2/TYPE 2 CABLE

Applies to 7455001-09 [7305202]

Ref.	Part No.	Qty	Part Description	Notes
1	3450571	1	CHARGING CABLE	

OPTION, TYPE 2 L MODE 2/3 CHARGING PLUG

Applies to 7455001-09 [7305015-01]



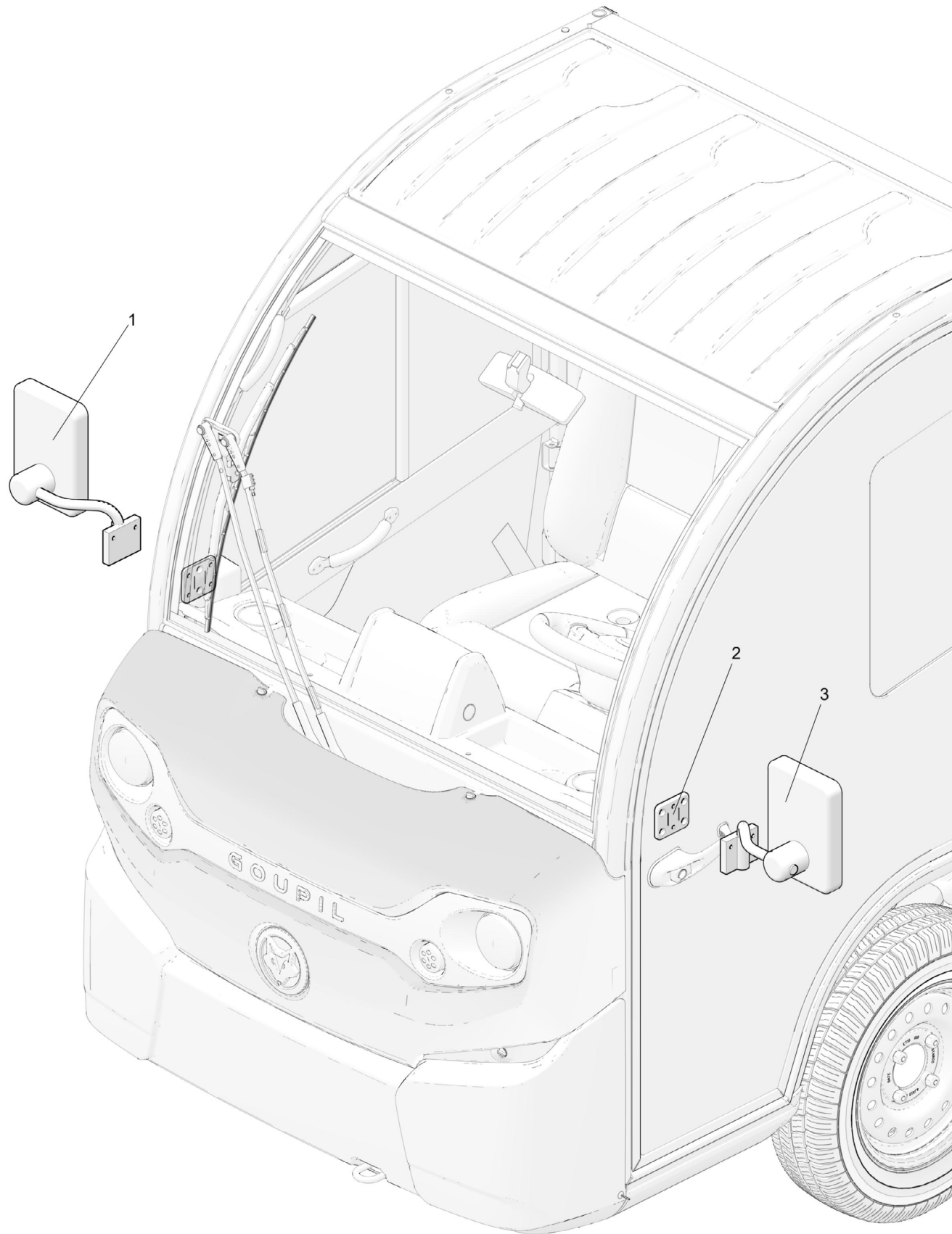
OPTION, TYPE 2 L MODE 2/3 CHARGING PLUG

Applies to 7455001-09 [7305015-01]

Ref.	Part No.	Qty	Part Description	Notes
1	6004369	1	SUPPORT	
2	6207479	1	REAR LATERAL RH COVER	
3	5105079	7	SCREW	
4	6207739	1	TYPE 2 PLUG HARNESS	
5	3450436	1	RELAY	
6	7140936	1	G4 MY22 TYPE 2 CHARGER KIT	
7	3450471	1	SWITCH	
8	3450491	1	COVER	

OPTION, WING MIRRORS FOR PICNIC BOX VAN

Applies to 7455001-09 [7305163]



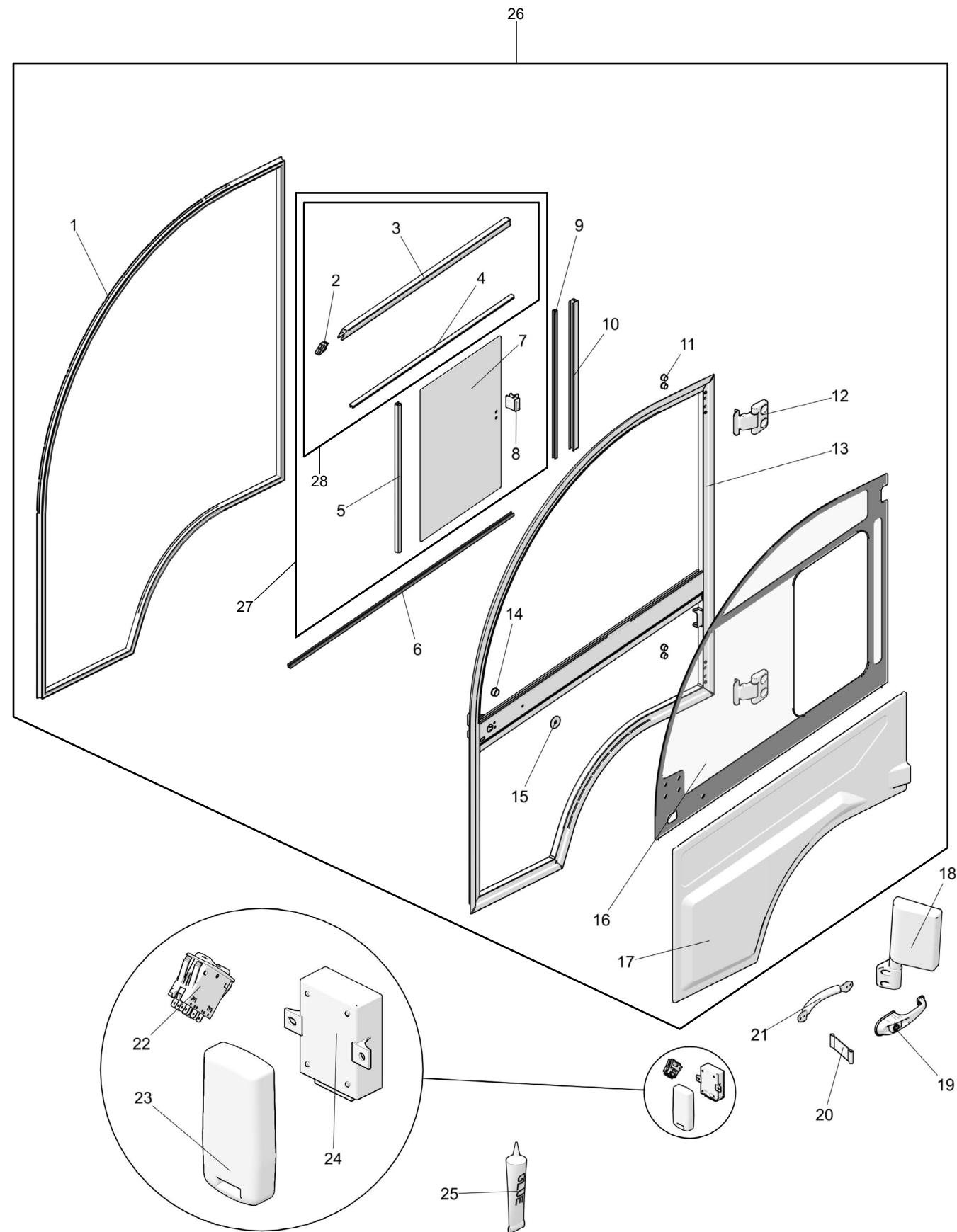
OPTION, WING MIRRORS FOR PICNIC BOX VAN

Applies to 7455001-09 [7305163]

Ref.	Part No.	Qty	Part Description	Notes
1	4200590	1	UNBREAKABLE RIGHT MIRROR	
2	6207828	2	MIRROR BRACKET	
3	4200591	1	UNBREAKABLE LEFT MIRROR	

OPTION, HEAVY DUTY DOORS

Applies to 7455001-09 [7305204]



OPTION, HEAVY DUTY DOORS

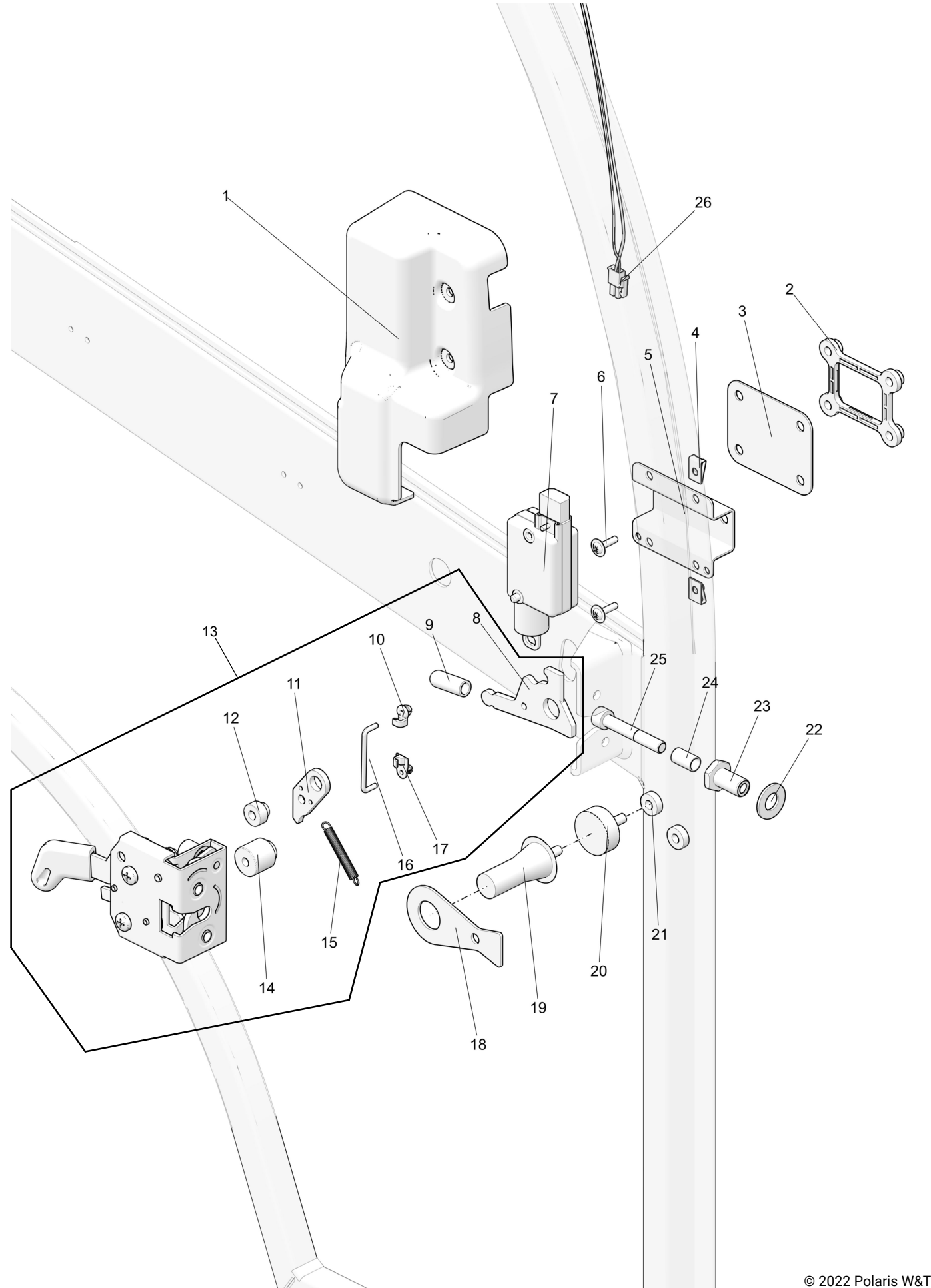
Applies to 7455001-09 [7305204]

Ref.	Part No.	Qty	Part Description	Notes
1	4250065	1	DOOR SEAL	
2	6207421	1	SLIDING WINDOW STOPPER	
3	6111356	1	LEFT SUPERIOR RAIL OF SLIDING GLASS	
4	127K961A	0.68 ML	GLASS SLIDE DOWN	
5	7002288	1	WINDOW WIPER SEAL LHS/RHS	
6	127K961A	0.942 ML	GLASS SLIDE DOWN	
7	127MP108V	1	LEFT DOOR TINTED GLASS	
8	4151001	1	SLIDING WINDOW CLOSURE	
9	127K961A	0.5 ML	GLASS SLIDE DOWN	
10	6110617	1	LH DOOR WINDOW REAR GUIDE RAIL	
11	4150620	4	BLACK PLUG Ø15	
12	127MP960-9005	2	DOOR HINGE	
13	6004272	1	LEFT DOOR FRAME	
14	4150441	1	PLUG	
15	5300090	1	NITRILE WASHER	
16	6207832	1	FIXED LEFT GLASS	
17	6207839	1	LEFT INDUSTRIAL DOOR PROTECTION	
18	4150005	1	EXTERNAL LH REAR VIEW MIRROR	
19	4151048	1	EXT DOOR HANDLE + BARREL + KEY	
20	6207293	1	STRAP HOLDER	
21	4150979	1	INSIDE HANDLE	
22	3450627	1	SWITCH	
23	2101081	1	CENTRAL LOCKING REMOTE	
24	3450626	1	E-LOCKING MODULE	
25	7140555	1	WINDOW GLUE KIT	
26	7140409	1	PREASSEMBLED LH DOOR G4	
27	7140444	1	SLIDING LEFT GLASS	WINDOW GLUE KIT NEEDED
28	7140448	1	SLIDING TOP RAIL KIT LH/RH G4	WINDOW GLUE KIT NEEDED



OPTION, HEAVY DUTY DOORS

Applies to 7455001-09 [7305204]



OPTION, HEAVY DUTY DOORS

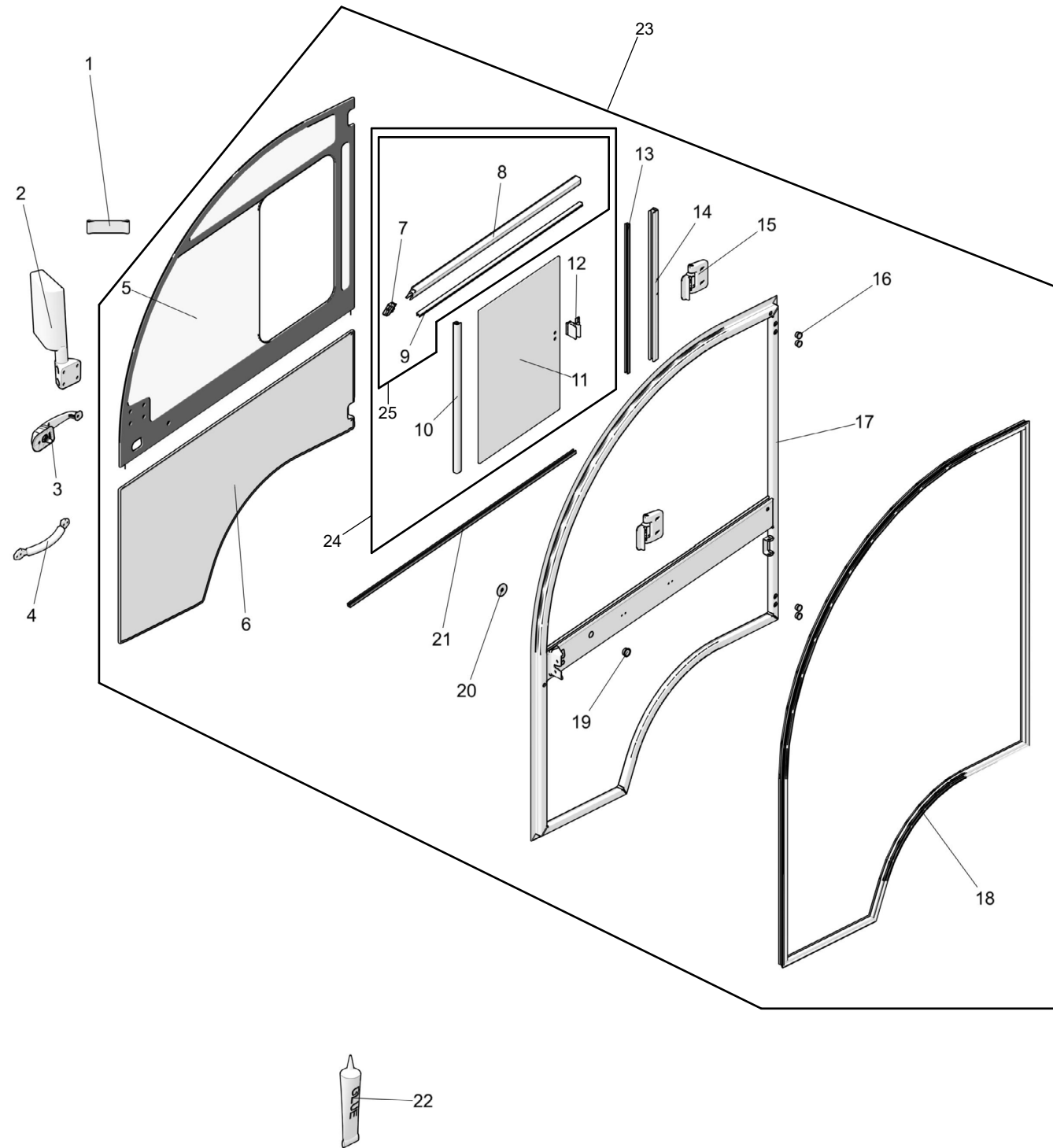
Applies to 7455001-09 [7305204]

Ref.	Part No.	Qty	Part Description	Notes
1	6200502	1	MOTOR LOCK COVER	
2	6207380	1	MIRROR BASE	
3	6110220	1	MOUNTING PLATE	
4	5250082	2	CLAMP NUT	
5	6109725	1	CENTRAL LOCKING MOTOR BRACKET	
6	5100122	2	BOLT	
7	128K105	1	MOTOR LOCK	
8	6110840	1	LOCKING FINGER	
9	4250206	1	CAP	
10	4150881	1	LOCK ROD CLIP	
11	127MP041	1	CAM LOCK LEFT	
12	127MP049	1	CAM LOCK SPACER	
13	4151045	1	LEFT DOOR LOCK	
14	127MP074	1	LEVER LOCKING RING	
15	127MP047	1	SPRING LOCK REMINDER	
16	127MP079	1	ROD LOCK	
17	4150983	1	LOCK ROD GREEN CLIP	
18	6111495	1	DOOR SENSOR BRACKET	
19	3450320	1	SWITCH	
20	4150963	1	RUBBER FEET	
21	4150740	1	SPACER	
22	5300003	1	WASHER	
23	127MP064A	1	DOOR STRIKER PIN	
24	127MP065	1	RING	
25	5000023	1	BOLT	
26	6200296	1	WIRING HARNESS OF DOOR	



OPTION, HEAVY DUTY DOORS

Applies to 7455001-09 [7305204]



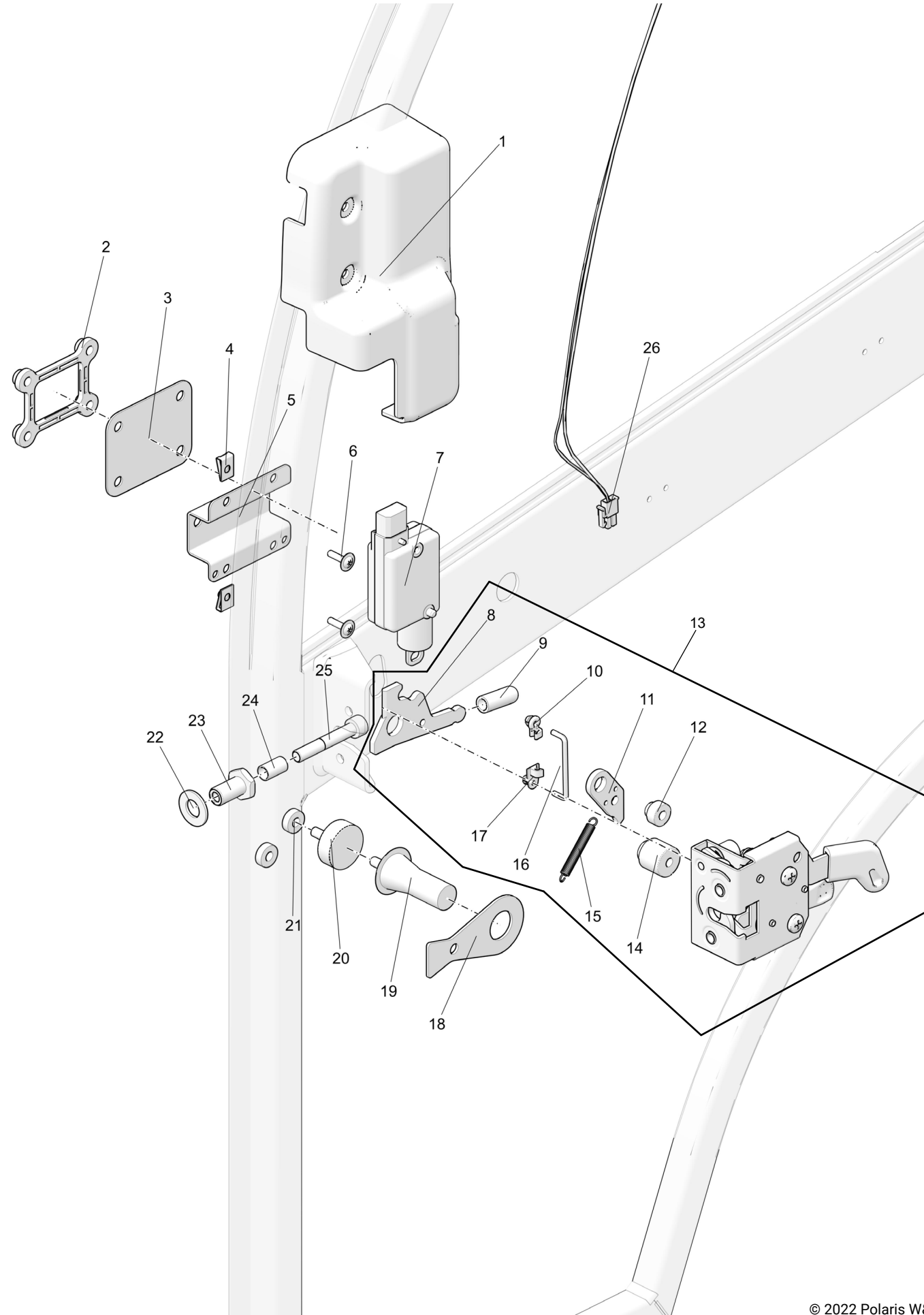
OPTION, HEAVY DUTY DOORS

Applies to 7455001-09 [7305204]

Ref.	Part No.	Qty	Part Description	Notes
1	6207293	2	STRAP HOLDER	
2	4150006	1	EXTERNAL RH REAR VIEW MIRROR	
3	4151048	2	EXT DOOR HANDLE + BARREL + KEY	
4	4150979	2	INSIDE HANDLE	
5	6207833	1	FIXED RIGHT GLASS	
6	6207837	1	LEFT INDUSTRIAL DOOR PROTECTION	
7	6207421	2	SLIDING WINDOW STOPPER	
8	6111357	1	LEFT SUPERIOR RAIL OF SLIDING GLASS	
9	127K961A	0.68 ML	GLASS SLIDE DOWN	
10	7002289	1	WINDOW WIPER SEAL LHS/RHS	
11	127MP109V	1	RIGHT DOOR TINTED GLASS	
12	4150049	1	SLIDING WINDOW CLOSURE	
13	127K961A	0.5 ML	GLASS SLIDE DOWN	
14	6110618	1	RH DOOR WINDOW REAR GUIDE RAIL	
15	127MP960-9005	4	DOOR HINGE	
16	4150620	8	BLACK PLUG Ø15	
17	6004273	1	RIGHT DOOR FRAME	
18	4250065	1	DOOR SEAL	
19	4150441	1	PLUG	
20	5300090	2	NITRILE WASHER	
21	127K961A	0.942 ML	GLASS SLIDE DOWN	
22	7140555	1	WINDOW GLUE KIT	
23	7140409	1	PREASSEMBLED LH DOOR G4	
24	7140444	1	SLIDING LEFT GLASS	WINDOW GLUE KIT NEEDED
25	7140448	1	SLIDING TOP RAIL KIT LH/RH G4	WINDOW GLUE KIT NEEDED

OPTION, HEAVY DUTY DOORS

Applies to 7455001-09 [7305204]



© 2022 Polaris W&T

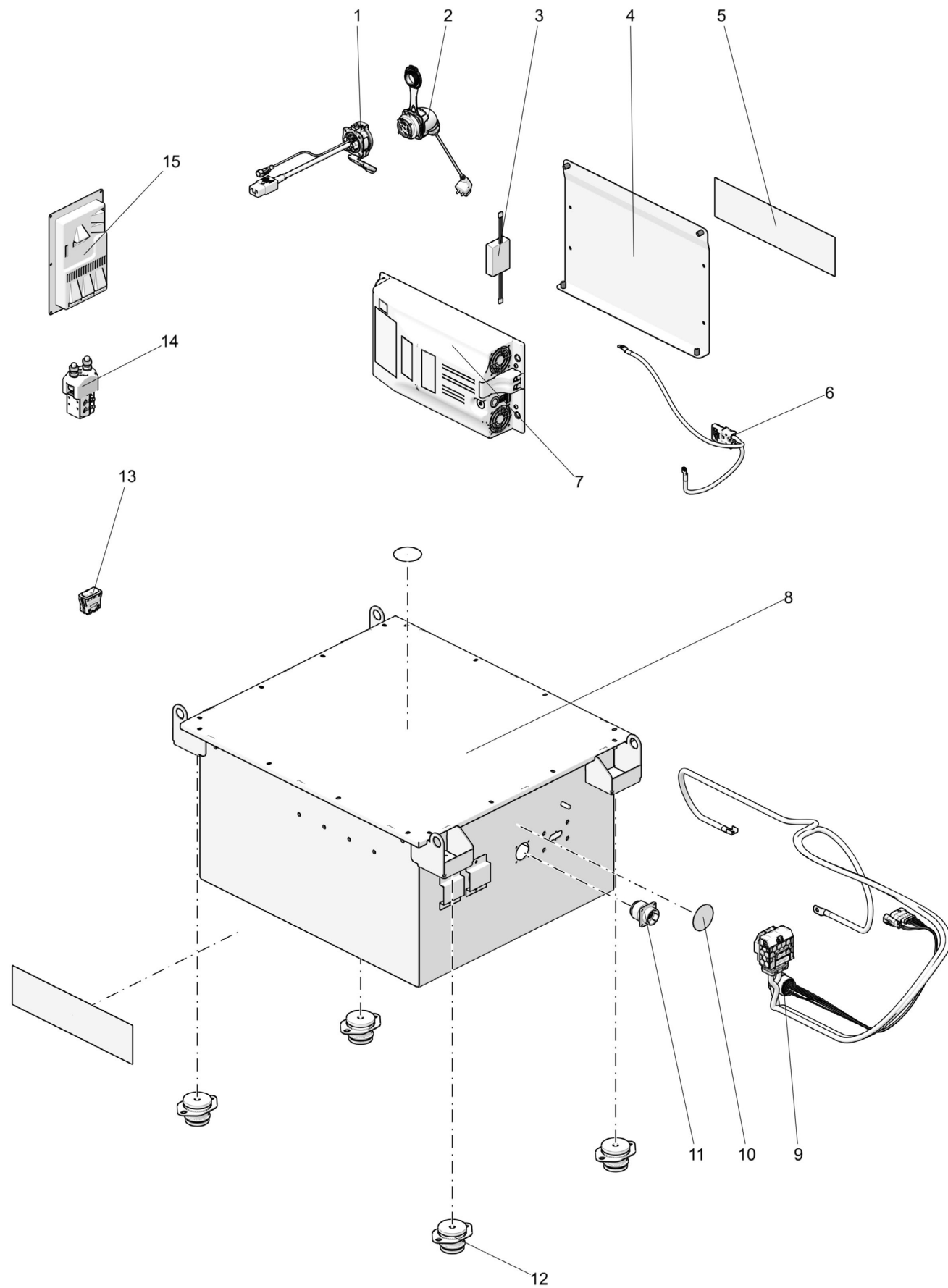
OPTION, HEAVY DUTY DOORS

Applies to 7455001-09 [7305204]

Ref.	Part No.	Qty	Part Description	Notes
1	6200503	1	MOTOR LOCK COVER	
2	6207380	1	MIRROR BASE	
3	6110220	1	MOUNTING PLATE	
4	5250082	2	CLAMP NUT	
5	6109725	1	CENTRAL LOCKING MOTOR BRACKET	
6	5100122	2	BOLT	
7	128K105	1	MOTOR LOCK	
8	6110840	1	LOCKING FINGER	
9	4250206	1	CAP	
10	4150881	1	LOCK ROD CLIP	
11	127MP042	1	ROD LOCK	
12	127MP049	1	CAM LOCK SPACER	
13	4151044	1	RIGHT DOOR LOCK	
14	127MP074	1	LEVER LOCKING RING	
15	127MP047	1	SPRING LOCK REMINDER	
16	127MP079	1	ROD LOCK	
17	4150983	1	LOCK ROD GREEN CLIP	
18	6111495	1	DOOR SENSOR BRACKET	
19	3450320	1	SWITCH	
20	4150963	1	RUBBER FEET	
21	4150740	2	SPACER	
22	5300003	1	WASHER	
23	127MP064A	1	DOOR STRIKER PIN	
24	127MP065	1	RING	
25	5000023	1	BOLT	
26	6200296	1	WIRING HARNESS OF DOOR	

OPTION, LITHIUM 48V 9.2KW BATTERY

Applies to 7455001-09 [7305206]



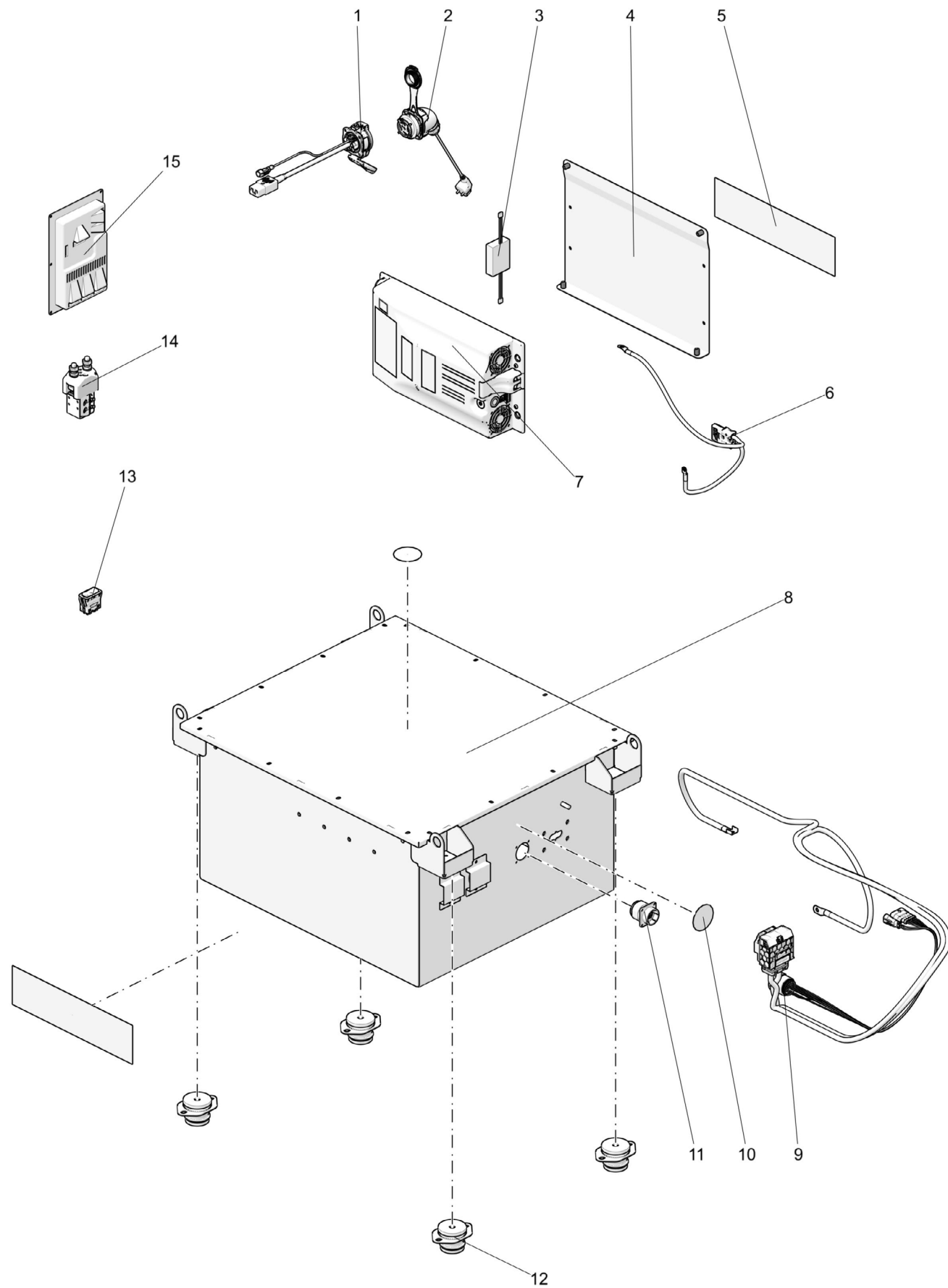
OPTION, LITHIUM 48V 9.2KW BATTERY

Applies to 7455001-09 [7305206]

Ref.	Part No.	Qty	Part Description	Notes
1	6200760	1	MALE CHARGING SOCKET	
2	6200527	1	FEMALE CHARGING CABLE	
3	3450540	1	OPTO-ISOLATOR	
4	6004393	1	CHARGER BRACKET	
5	6500526	2	STICKER	
6	6200719	1	HARNESS CHARGER	
7	7140943	1	G4 LDG CHARGER KIT	
8	6207834	1	PACK LI G4 48V 9.2KWH 190AH	
9	6200326	1	LITHIUM HARNESS	
10	6500510	2	STICKER	
11	2100789	1	EXTERNAL SIGNAL CONNECTOR AND CABLE	
12	4150964	4	SILENT BLOC	
13	3450465	1	WINTERING SWITCH	
14	2101424	1	BATTERY RELAYS	
15	2101421	1	9.2 KW BMS CARD	
↓	1410401	1	CHARGER PARAMETER	

OPTION, LITHIUM 48V 13.8KW BATTERY

Applies to 7455001-09 [7305207]



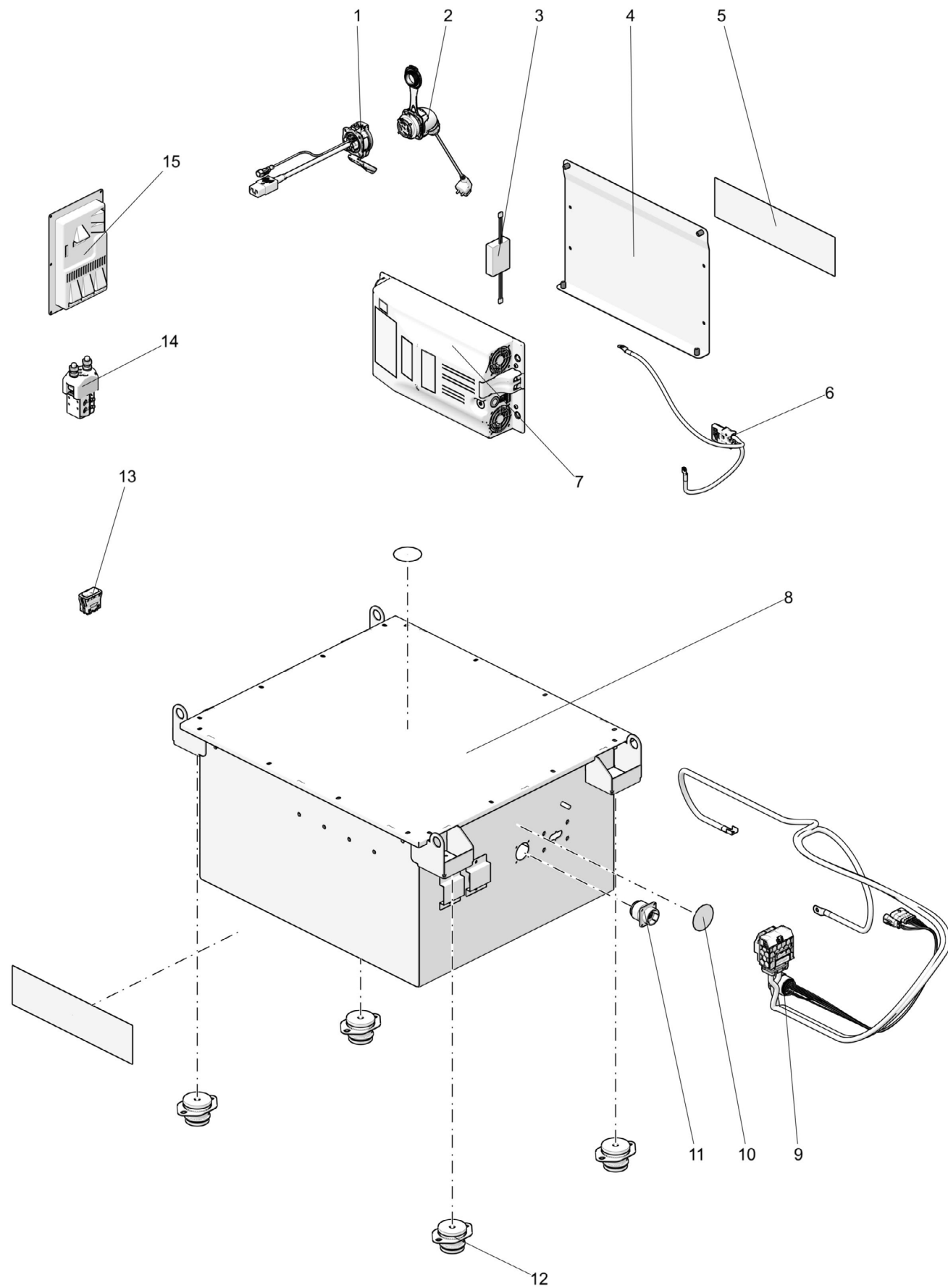
OPTION, LITHIUM 48V 13.8KW BATTERY

Applies to 7455001-09 [7305207]

Ref.	Part No.	Qty	Part Description	Notes
1	6200760	1	MALE CHARGING SOCKET	
2	6200527	1	FEMALE CHARGING CABLE	
3	3450540	1	OPTO-ISOLATOR	
4	6004393	1	CHARGER BRACKET	
5	6500526	2	STICKER	
6	6200719	1	HARNESS CHARGER	
7	7140943	1	G4 LDG CHARGER KIT	
8	6207835	1	PACK LI G4 48V 13.8KWH 290AH	
9	6200326	1	LITHIUM HARNESS	
10	6500510	2	STICKER	
11	2100789	1	EXTERNAL SIGNAL CONNECTOR AND CABLE	
12	4150964	4	SILENT BLOC	
13	3450465	1	WINTERING SWITCH	
14	2101424	1	BATTERY RELAYS	
15	2101422	1	13.8 KW BMS CARD	
↓	1410401	1	CHARGER PARAMETER	

OPTION, LITHIUM 48V 20.9KW BATTERY

Applies to 7455001-09 [7305208]



OPTION, LITHIUM 48V 20.9KW BATTERY

Applies to 7455001-09 [7305208]

Ref.	Part No.	Qty	Part Description	Notes
1	6200760	1	MALE CHARGING SOCKET	
2	6200527	1	FEMALE CHARGING CABLE	
3	3450540	1	OPTO-ISOLATOR	
4	6004393	1	CHARGER BRACKET	
5	6500526	2	STICKER	
6	6200719	1	HARNESS CHARGER	
7	7140943	1	G4 LDG CHARGER KIT	
8	6207836	1	PACK LI G4 48V 20.9KWH 435AH	
9	6200326	1	LITHIUM HARNESS	
10	6500510	2	STICKER	
11	2100789	1	EXTERNAL SIGNAL CONNECTOR AND CABLE	
12	4150964	4	SILENT BLOC	
13	3450465	1	WINTERING SWITCH	
14	2101424	1	BATTERY RELAYS	
15	2101423	1	20.9 KW BMS CARD	
↓	1410401	1	CHARGER PARAMETER	