

# Spare Parts Catalog

G6 - 7477001-02

# G6 MY21



**1720012-01**  
***Spare Parts Manual***



Read the Operator's manual entirely.  
When you see this symbol, the subsequent instructions and warnings are serious - follow without exception. Your life and the lives of others depend on it !

© Copyright 2021 Printed 20/08/21

*Cover photo may show optional equipment not supplied with standard unit.*



SOFTWARE / DOCUMENTATION.....	6
CHASSIS, REAR FRAME.....	8
CHASSIS, FRONT FRAME.....	10
BODY, CAB, BODYWORK.....	12
BODY, CAB, WINDSCREEN.....	14
BODY, CAB, REAR BULKHEAD.....	16
BODY, CAB, FLOOR AND SEATS.....	18
BODY, CAB, SEATS.....	20
BODY, CAB, ROOF.....	22
BODY, CAB, DASHBOARD.....	24
BODY, CAB, DASHBOARD COVERS.....	26
BODY, CAB, GLOVE BOX.....	28
SUSPENSION, FRONT LEFT SUSPENSION.....	30
SUSPENSION, FRONT RIGHT SUSPENSION.....	32
SUSPENSION, REAR LEFT SUSPENSION.....	34
SUSPENSION, REAR RIGHT SUSPENSION.....	36
ELECTRICAL, FRONT LIGHTS.....	38
ELECTRICAL, REAR LIGHTS.....	40
ELECTRICAL, DASH INSTRUMENTS.....	42
ELECTRICAL, MOTOR BAY, POWER COMPONENTS.....	44
ELECTRICAL, MOTOR BAY, 12V COMPONENTS.....	46
ELECTRICAL, HARNESS, FUSES, RELAYS.....	48
BRAKES, FRONT BRAKES.....	50
BRAKES, HANDBRAKE, PIPING.....	56
BRAKES, REAR BRAKES.....	58
STEERING.....	60
WHEELS.....	62
DRIVETRAIN, RIGHT SIDE.....	64

© Copyright 2021. All rights reserved.

Goupil Industrie provides this publication "as is" without warranty of any kind, either expressed or implied. While every precaution has been taken in the preparation of this manual, Goupil Industrie assumes no responsibility for errors or omissions. Neither is any liability assumed for damages resulting from the use of the information contained herein. Goupil Industrie reserves the right to revise and improve its products as it sees fit. This publication describes the state of this product at the time of its publication, and may not reflect the product in the future. The illustrations in this manual are not intended for safe and proper assembly or disassembly of equipment. The illustrations are intended for ordering parts only.

Goupil Industrie is registered trademark.

All other brands and product names are trademarks or registered trademarks of their respective holders.

Printed in France, Europe.



DRIVETRAIN, LEFT SIDE.....	66
BODY, BODYWORK.....	68
DOORS, LEFT DOOR.....	72
DOORS, RIGHT DOOR.....	74
ELECTRIC HEATER.....	76
STICKER, MISC.....	78
OPTION, LITHIUM 15 KW BATTERY.....	84
OPTION, LITHIUM 28.8 KW BATTERY.....	86
OPTION, DOUBLE DIN.....	88
OPTION, AIR-CONDITIONING UNIT.....	90
OPTION, TOW HITCH WITH TRAILER PLUG.....	96
OPTION, ROOF BAR + TRIFLASH HAZARD WARNING TRIANGLE + BEACON LIGHTS.....	98
OPTION, BEACON LIGHT.....	100
OPTION, CLASS 2 REFLECTIVE BANDS.....	102
OPTION, FRONT RADAR AND REAR CAMERA FOR LOAD BEDS.....	104
OPTION, TRANSVERSE UNDERBODY STORAGE BOX.....	106
OPTION, HEATED DRIVER SEAT.....	108
OPTION, PICK-UP.....	110
OPTION, TIPPER.....	114
OPTION, MESH CAGE BODY.....	120
OPTION, HYDRAULIC HOOKLIFT.....	122
OPTION, ALUMINIUM WASTE COLLECTOR FOR HYDRAULIC HOOKLIFT.....	124
OPTION, UPPER CAGE MOBILE CONTAINER.....	126
OPTION, BULKY WASTE COLLECTOR I RAL 7021.....	128
OPTION, FRONT/REAR RADAR + REARVIEW CAMERA FOR BOX VANS.....	174
OPTION, COMBINED PICK-UP.....	176
OPTION, COMBINED TIPPER.....	180
OPTION, COMBINED STORAGE BOX BEHIND THE CAB.....	186
OPTION, COMBINED MESH CAGE BODY.....	188
OPTION, REAR TIPPING GATE.....	190
OPTION, EXTERNAL FEATURES CONTROL BUTTON.....	192
OPTION, WIRING HARNESS.....	194
OPTION, LOAD BED BODYWORK KIT.....	196
OPTION, BOX VAN BODYWORK KIT.....	198





---

OPTION, MODE 3 TYPE 2/TYPE 2 CHARGING CABLE - 5 M.....	<b>200</b>
OPTION, COLORS.....	<b>202</b>



## SOFTWARE / DOCUMENTATION

Applies to 7457001-03

## CONTROLLER PARAMETERS

DL	Part No.	Qty	Part Description	Notes
↓	1400602	1	CONTROLLER PARAMETER SETTINGS	80 KM/H – 50 MPH
↓	1400603	1	CONTROLLER PARAMETER SETTINGS	60 KM/H – 37 MPH

## CHARGER PARAMETERS (LITHIUM E4V)

DL	Part No.	Qty	Part Description	Notes
↓	8410258	1	TC CHARGER PC SOFTWARE	
↓	1410601	1	CHARGER PARAMETER	66 AH – 6.6 KW

## DISPLAY PARAMETERS

DL	Part No.	Qty	Part Description	Notes
↓	1460603	1	DISPLAY PARAMETER	

## BCM PARAMETERS

DL	Part No.	Qty	Part Description	Notes
↓	1491002	1	BCM PARAMETER	

## OPERATOR AND SAFETY MANUAL

DL	Part No.	Qty	Part Description	Notes
↓	1700110	1	OPERATOR AND SAFETY MANUAL	FR

## SERVICE MANUAL

DL	Part No.	Qty	Part Description	Notes
↓	1700112FR	1	SERVICE MANUAL	FR
↓	1700112EN	1	SERVICE MANUAL	EN

## SOFTWARE / DOCUMENTATION

Applies to 7457001-03

## WIRING DIAGRAM

DL	Part No.	Qty	Part Description	Notes
↓	1100255	1	WIRING DIAGRAM	

## HARNESS DIAGRAM

DL	Part No.	Qty	Part Description	Notes
↓	6200804	1	MAIN HARNESS DIAGRAM	

Note : Only generics controller parameter settings are shown. For a special enquiry, please contact our aftersales service.

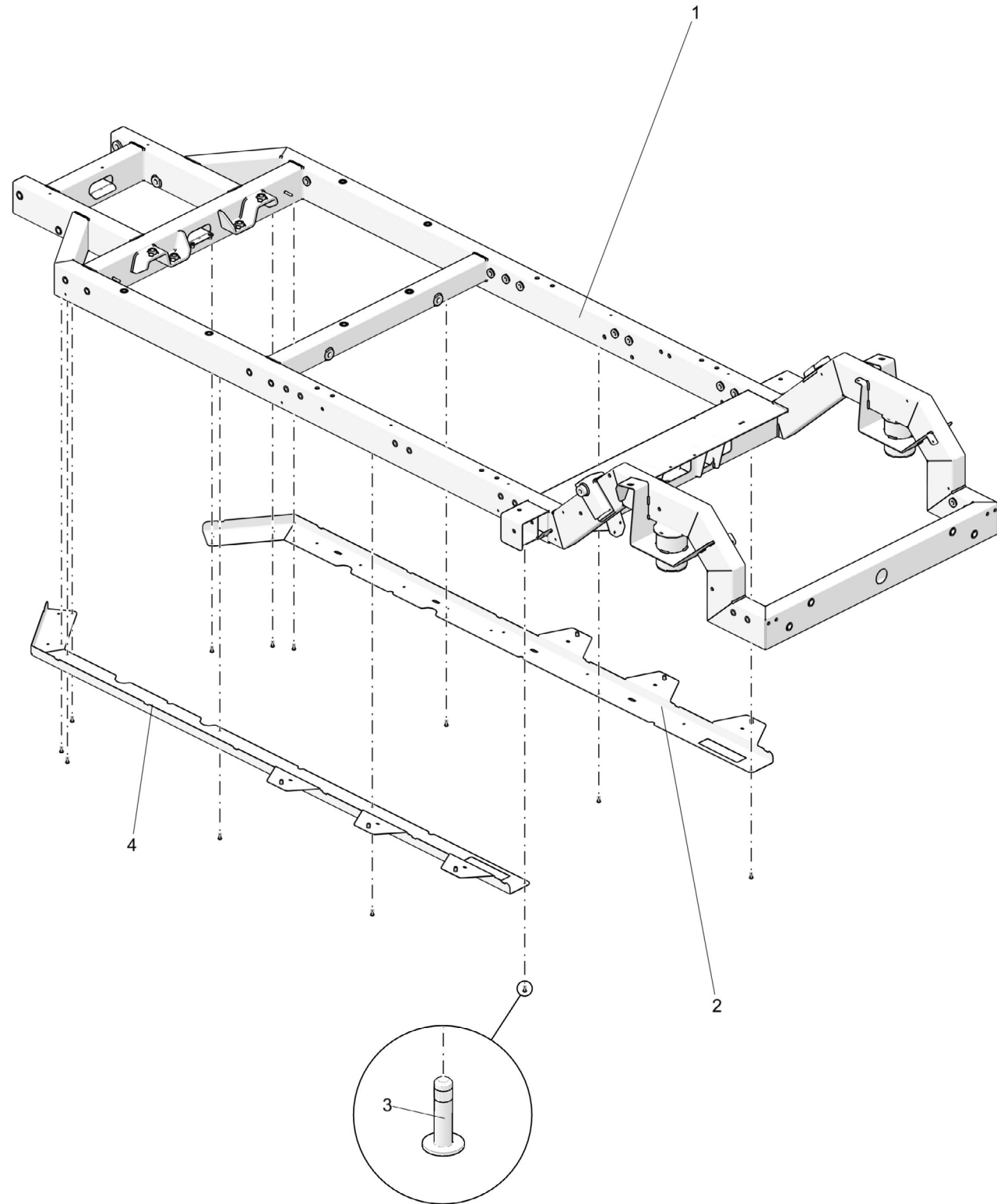
Always check the original controller parameter settings installed on the vehicle before flashing it. Do never use a different setting than the original. Goupil is not responsible for improper use of a controller parameter setting. Use it at your own risks.

Note : Seuls les paramètres standards sont représentés. Pour une requête spéciale, merci de contacter le service après vente.

Toujours vérifier le paramètre installé d'origine sur le véhicule avant de le flasher. Ne jamais utiliser un paramètre différent que l'original. Goupil n'est pas responsable de la mauvaise utilisation d'un paramètre. Utilisez le à vos risques et périls.

CHASSIS, REAR FRAME

Applies to 7457001-03 [7200188-02]



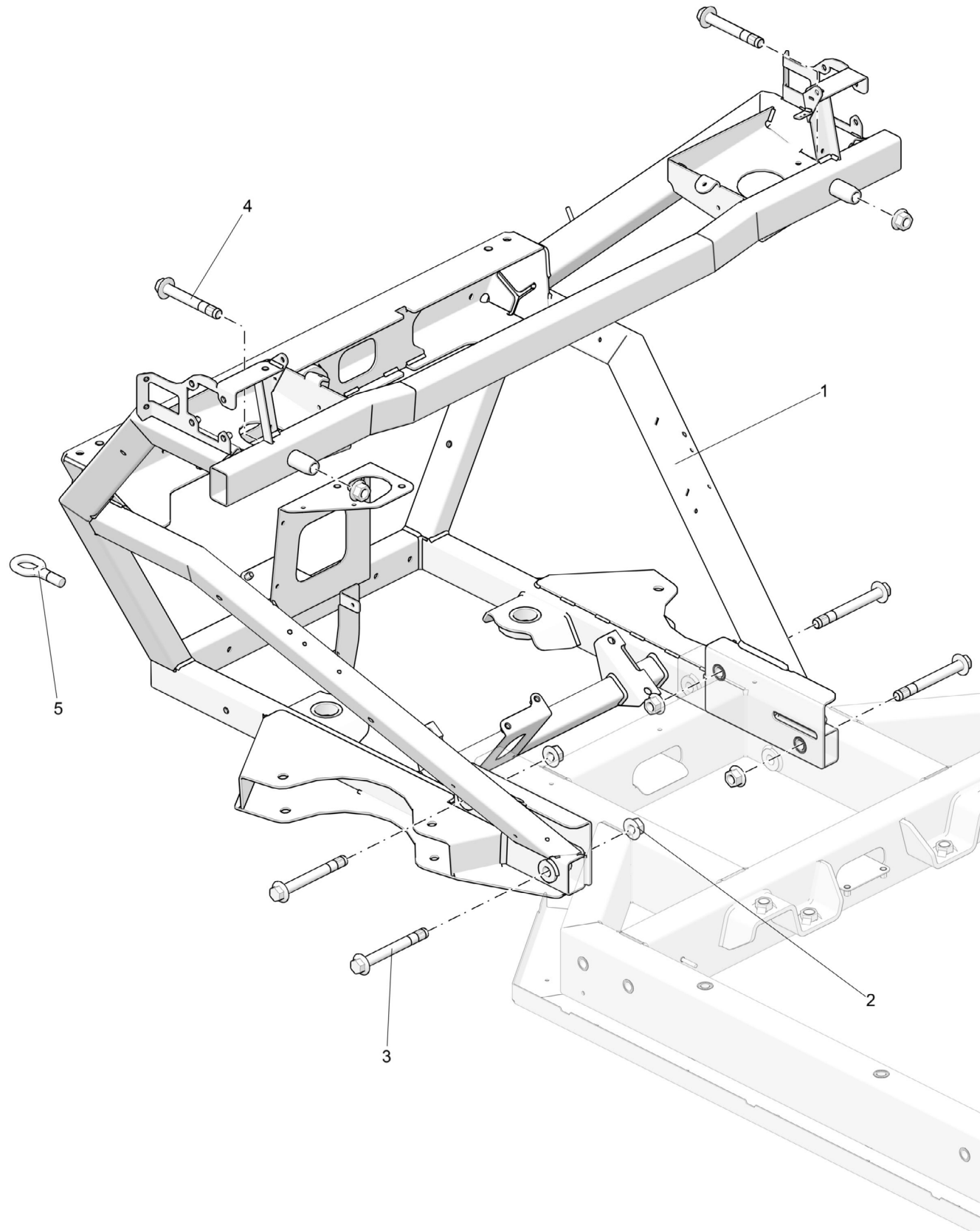
CHASSIS, REAR FRAME

Applies to 7457001-03 [7200188-02]

Ref.	Part No.	Qty	Part Description	Notes
1	6004511	1	REAR FRAME	
2	6004552	1	CABLE DUCT	
3	5105094	12	SCREW	
4	6004551	1	CABLE DUCT	

CHASSIS, FRONT FRAME

Applies to 7457001-03 [7200189-02]

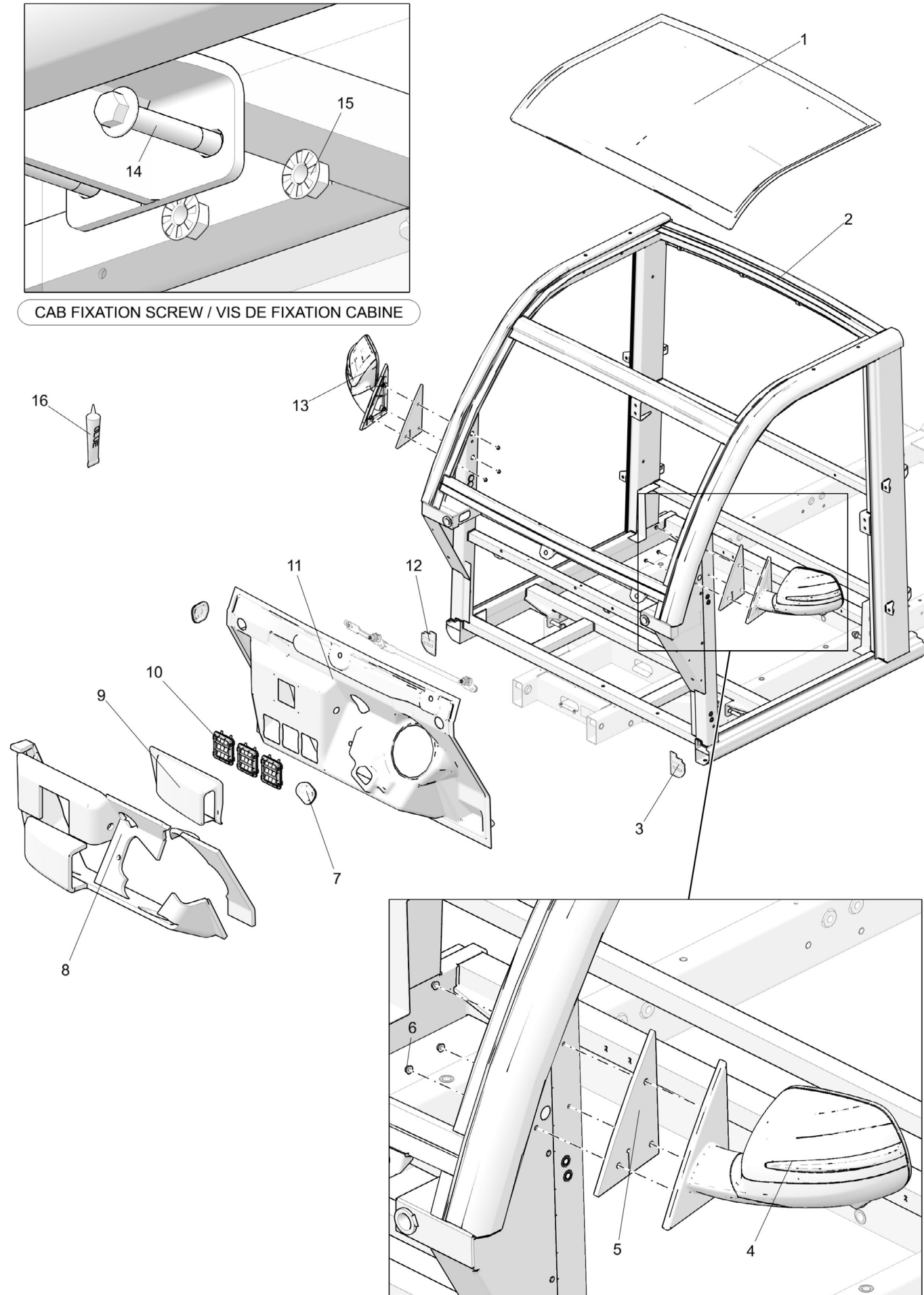


CHASSIS, FRONT FRAME

Applies to 7457001-03 [7200189-02]

Ref.	Part No.	Qty	Part Description	Notes
1	6004512	1	FRONT FRAME	
2	5205014	6	NUT	
3	5055167	4	SCREW	
4	5055168	2	SCREW	
5	4151096	1	TOWING RING	

Applies to 7457001-03 [7200190-03]

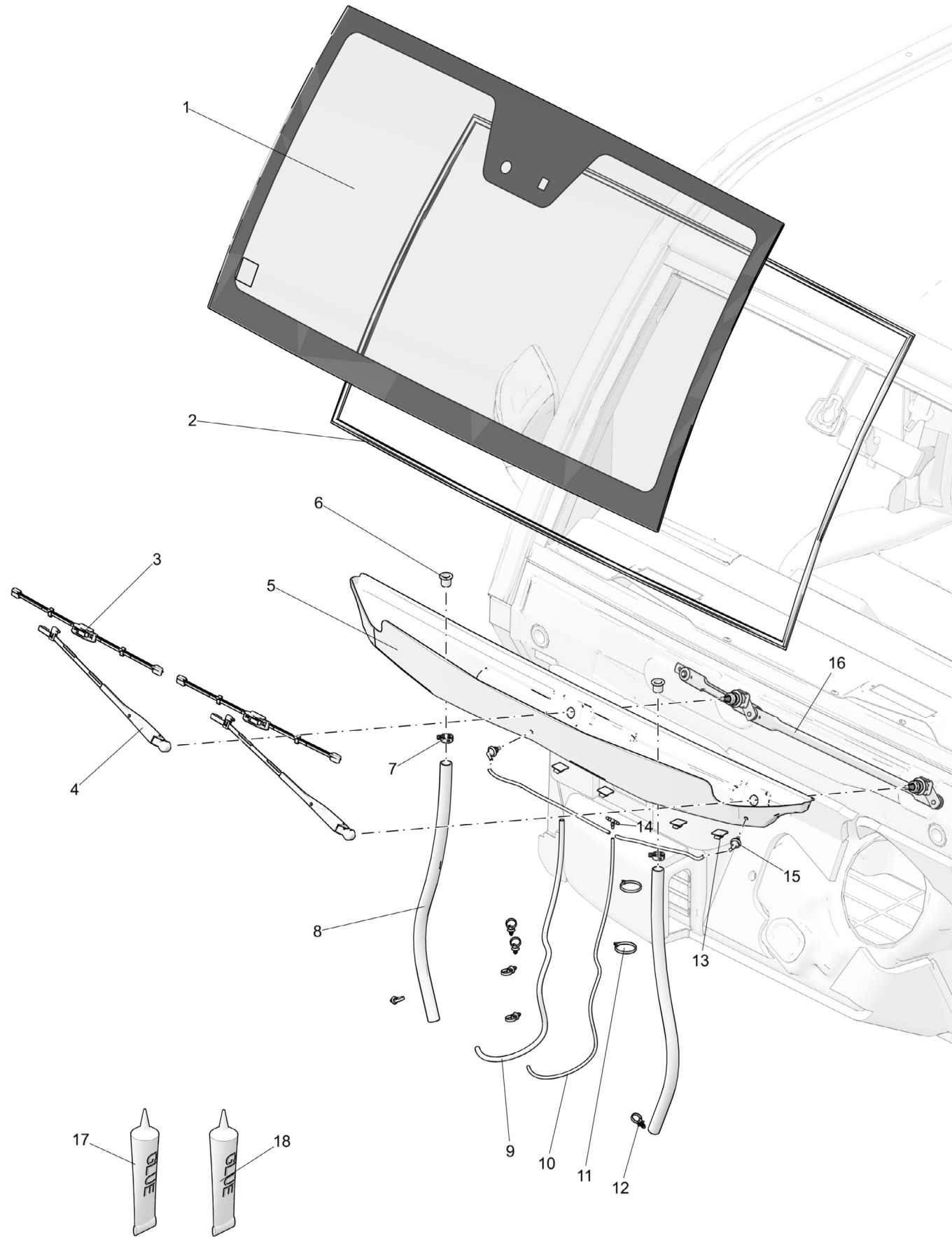


Applies to 7457001-03 [7200190-03]

Ref.	Part No.	Qty	Part Description	Notes
1	6207594	1	ROOF	PLASTIC GLUE KIT NEEDED
2	6004721	1	CAB FRAME	
3	6200551	1	CAB TUBE PLUG	
4	7140751	1	LEFT MIRROR	INCLUDES ITEM 5
5	6112732	2	MIRROR SEAL	
6	5205002	6	NUT	
7	6207745	2	COWL PANEL SEAL	
8	2101125	1	ACOUSTIC INSULATION FOAM	
9	2101126	1	OVER PRESSURE VALVE COVER	
10	4150883	3	CAB OVERPRESSURE VALVE	
11	6207592	1	COWL PANEL	INCLUDES ITEMS 8, 9 PLASTIC GLUE KIT NEEDED
12	6200550	1	CAB TUBE PLUG	
13	7140752	1	RIGHT MIRROR	INCLUDES ITEM 5
14	5055163	8	SCREW	
15	5205013	8	NUT	
16	7140554	1	PLASTIC GLUE KIT	

BODY, CAB, WINDSCREEN

Applies to 7457001-03 [7200190-03]



BODY, CAB, WINDSCREEN

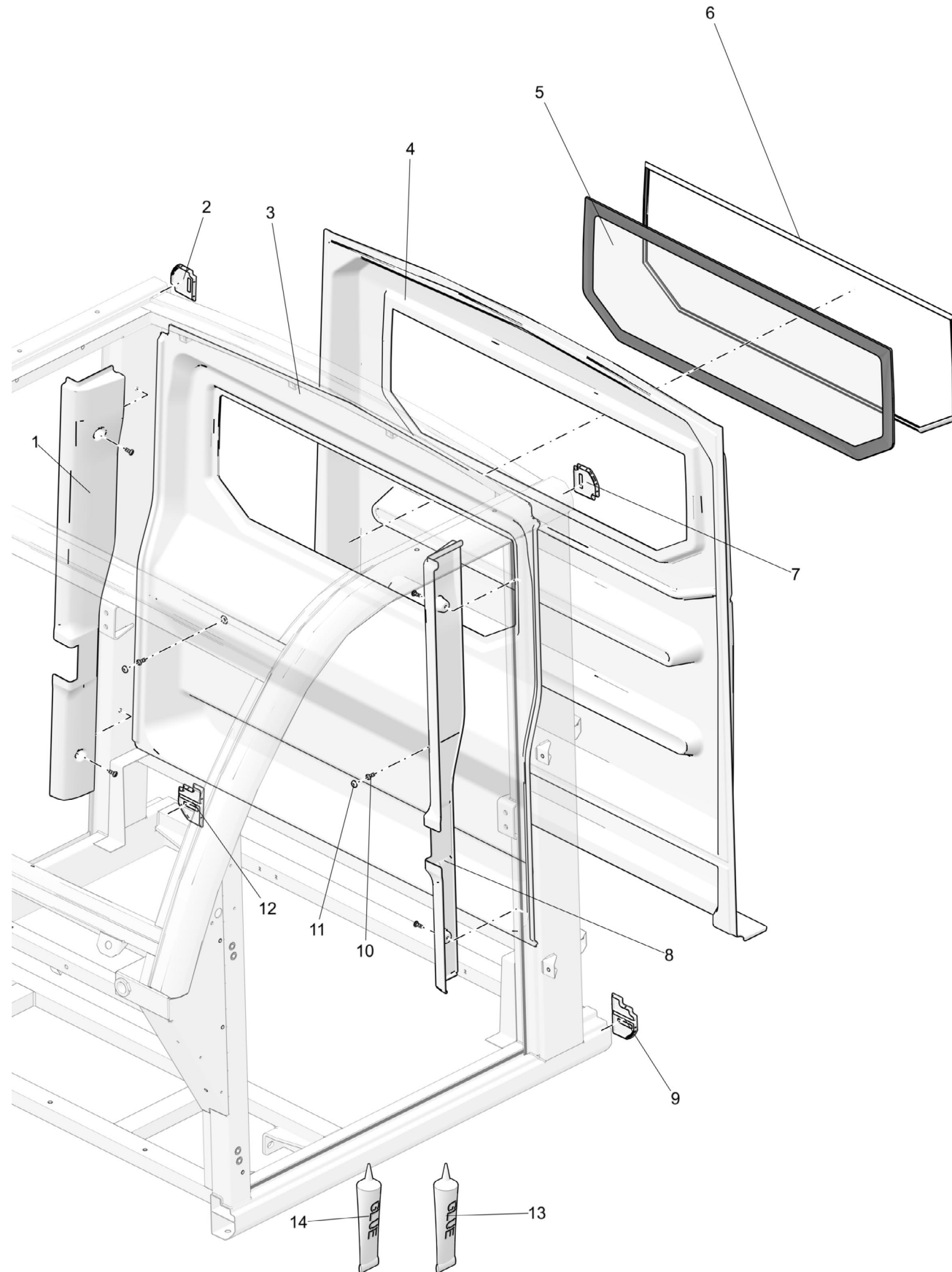
Applies to 7457001-03 [7200190-03]

Ref.	Part No.	Qty	Part Description	Notes
1	6207580	1	WINDSHIELD	INCLUDES INTERNAL REAR VIEW MIRROR BASE AND RAIN/LIGHT SENSOR ADHESIVE WINDOWS GLUE KIT NEEDED
2	6207582	1	WINDSHIELD SEAL	
3	4200566	2	WIPER BROOM	
4	4200545	1	WIPER ARM	
5	6207746	1	SPOUT	PLASTIC GLUE KIT NEEDED
6	4151109	2	BEARING	
7	4151021	2	COLLAR	
8	4000543	1	HOSE	
9	3400057	1	RINGED SHEATH	
10	4250101	1	WINDSCREEN WASHER HOSE	
11	3200005	2	COLLAR	
12	3200045	6	COLLAR	
13	3200047	4	CLIP	
14	4151145	1	T SHAPED CONNECTOR	
15	4151136	2	BULKHEAD	
16	4200544	1	WIPER MECHANISM	
17	7140554	1	PLASTIC GLUE KIT	
18	7140555	1	WINDOWS GLUE KIT	



*BODY, CAB, REAR BULKHEAD*

Applies to 7457001-03 [7200190-03]



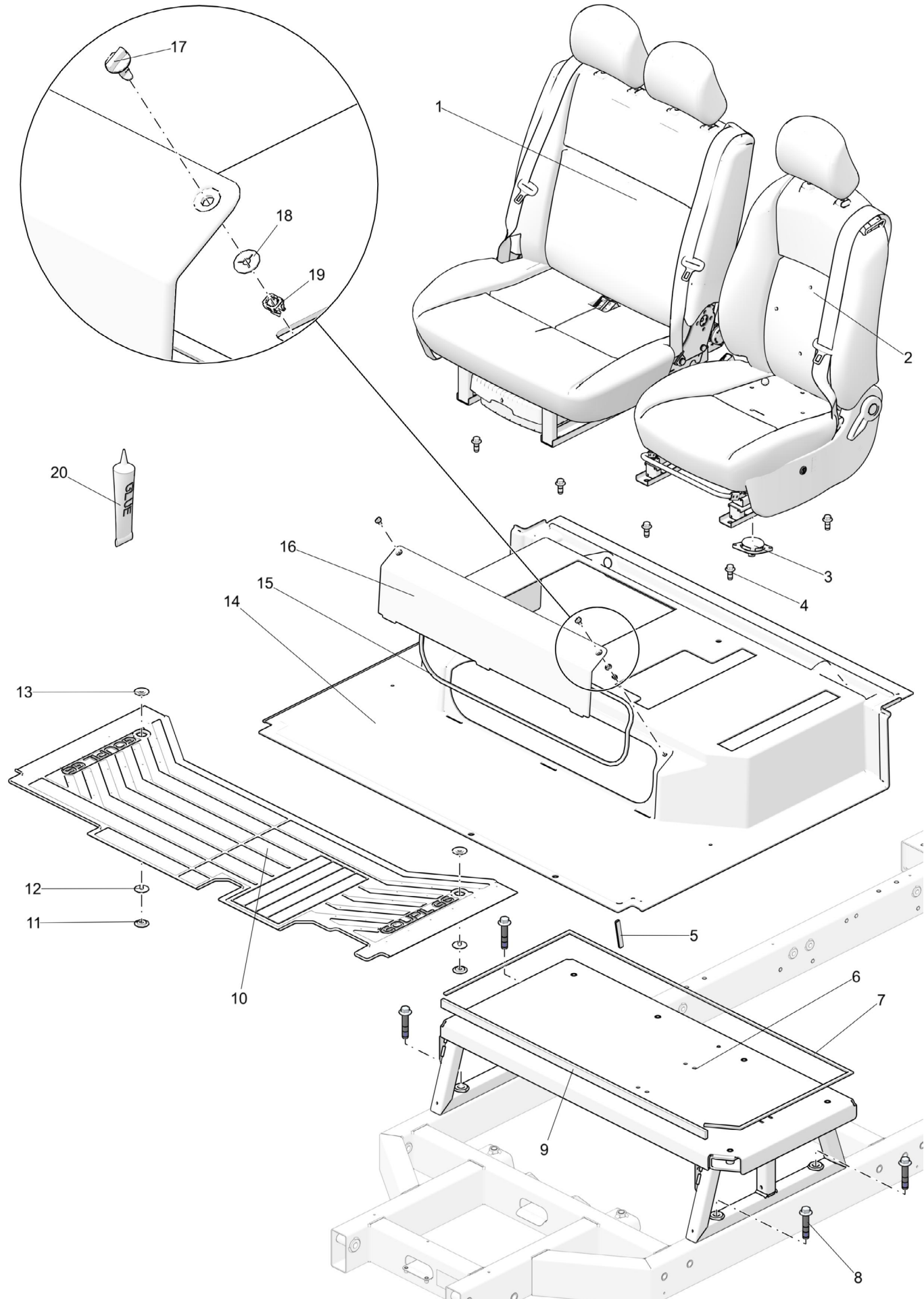
*BODY, CAB, REAR BULKHEAD*

Applies to 7457001-03 [7200190-03]

Ref.	Part No.	Qty	Part Description	Notes
1	6207670	1	UPRIGHT TRIM RIGHT	
2	6207749	1	CAB TUBE PLUG	
3	6207587	1	BACK LINER	
4	6207595	1	CAB BACK PANEL	PLASTIC GLUE KIT NEEDED
5	6207581	1	REAR GLASS	WINDOWS GLUE KIT NEEDED
6	6207583	1	REAR GLASS SEAL	
7	6207748	1	CAP TUBE PLUG	
8	6207669	1	UPRIGHT TRIM LEFT	
9	6200550	1	CAB TUBE PLUG	
10	5055117	6	SCREW	
11	4151149	2	TORX CAP	
12	6200551	1	CAB TUBE PLUG	
13	7140554	1	PLASTIC GLUE KIT	
14	7140555	1	WINDOWS GLUE KIT	

*BODY, CAB, FLOOR AND SEATS*

**Applies to 7457001-03 [7200190-03]**

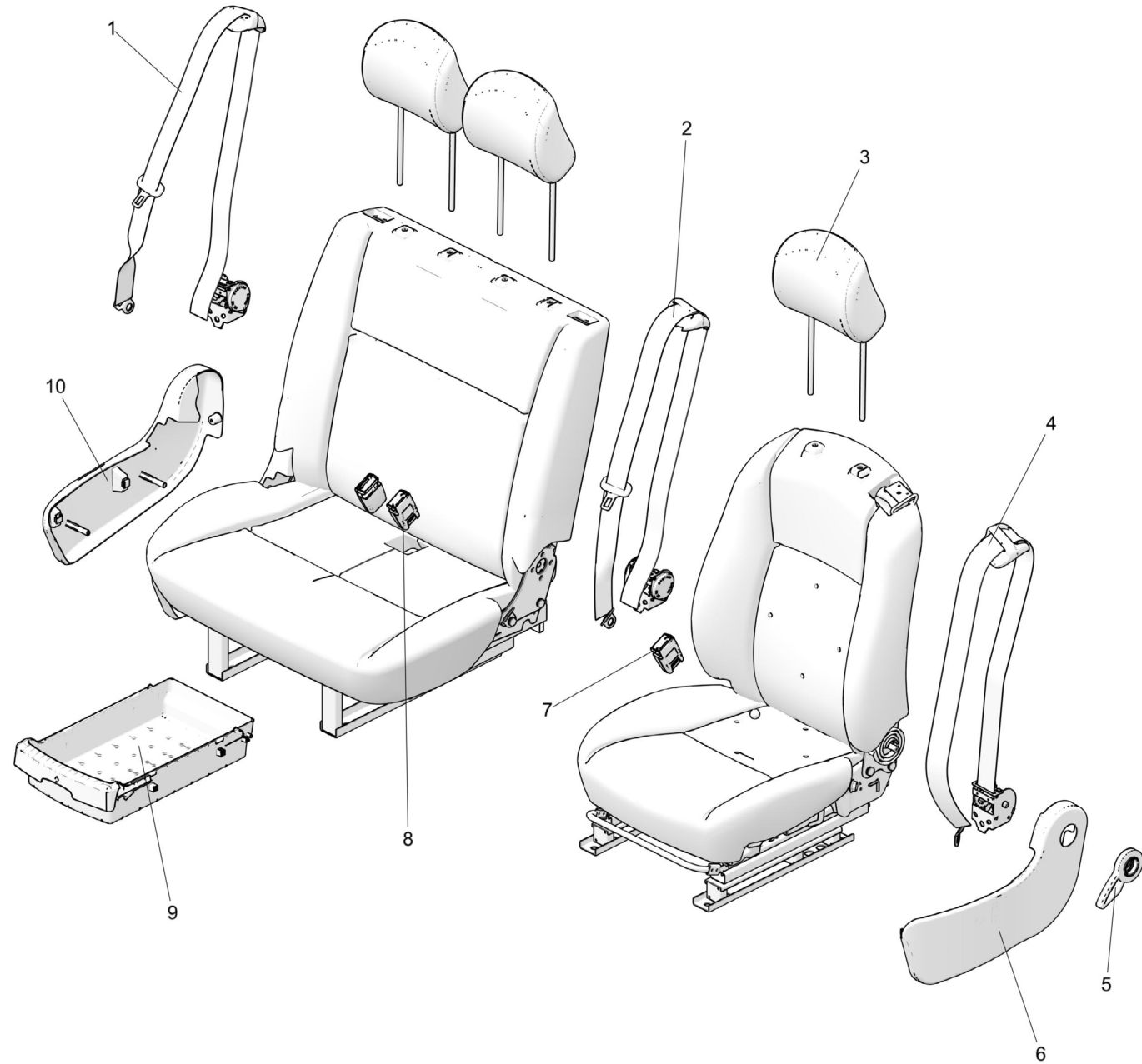


*BODY, CAB, FLOOR AND SEATS*

**Applies to 7457001-03 [7200190-03]**

Ref.	Part No.	Qty	Part Description	Notes
1	6207585	1	PASSENGERS SEAT	
2	6207584	1	DRIVER SEAT	
3	2150075	1	DRIVER S SEAT SENSOR	
4	5055164	8	SCREW	
5	4250015	1	SEAL COVER	
6	6004508	1	SEAT FRAME	
7	4250011	1	FOAM ADHESIVE SEAL	
8	5055165	4	SCREW	
9	4250072	1	ADHESIVE SEAL	
10	6207588	1	CARPET	
11	2101036	2	FLOOR MAT FIXATION	
12	2101035	2	FLOOR MAT FIXATION	
13	2101033	2	FLOOR MAT FIXATION	
14	6207596	1	FLOOR PANEL	PLASTIC GLUE KIT NEEDED
15	4250011	1	FOAM ADHESIVE SEAL	
16	6207692	1	BATTERY TRAP	
17	4151025	2	FRONT GRILL LOCKING BOLT	
18	4151027	2	WASHER GRILL ROD FIXATION	
19	4151026	2	BASE GRILL ROD FIXATION	
20	7140554	1	PLASTIC GLUE KIT	

Applies to 7457001-03 [7200190-03]

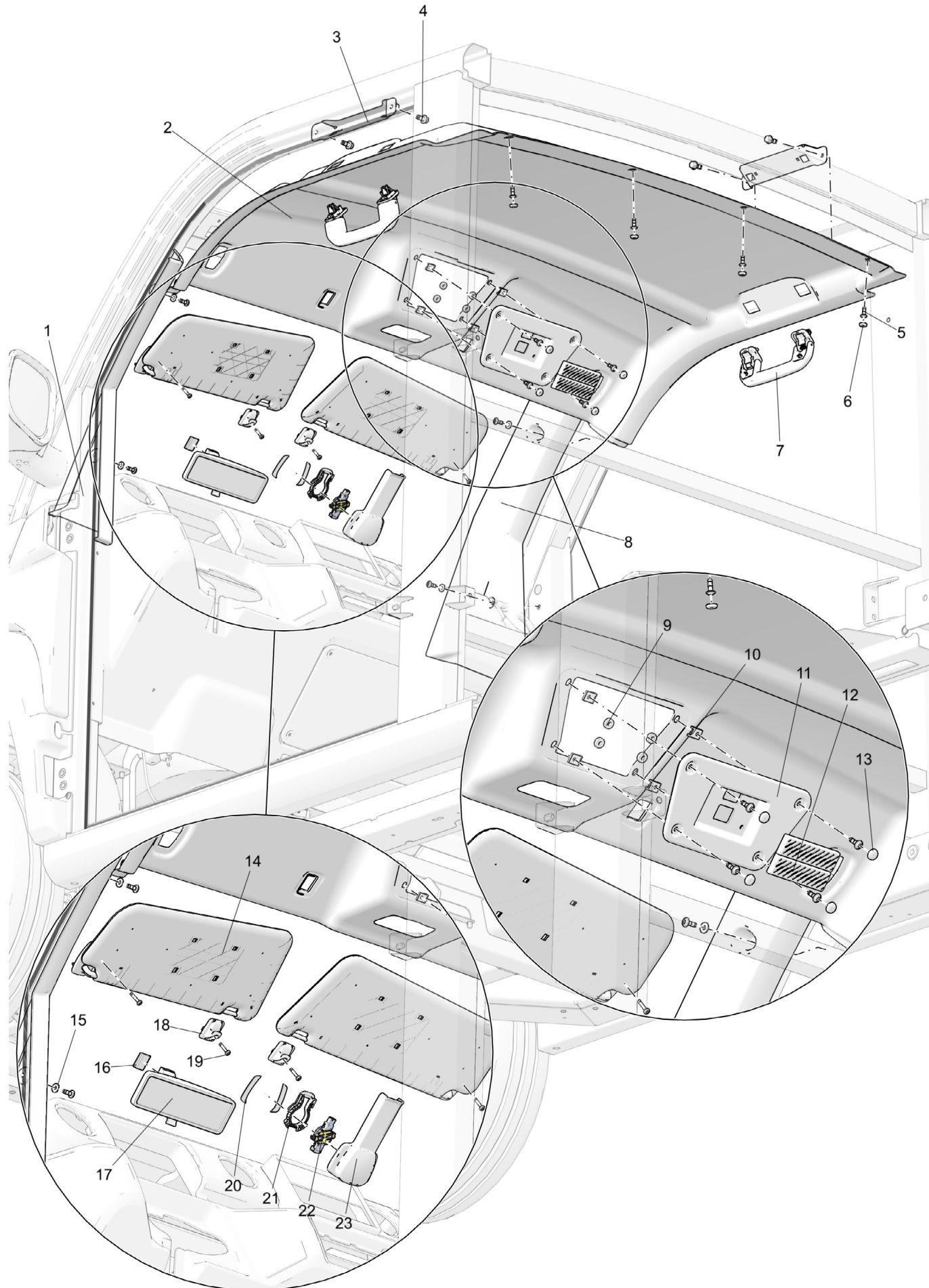


Applies to 7457001-03 [7200190-03]

Ref.	Part No.	Qty	Part Description	Notes
1	2101131	1	SEAT BELT	
2	2101131	1	SEAT BELT	
3	2101130	3	HEADREST	
4	2101131	1	SEAT BELT	
5	2101132	1	HANDLE	
6	2101133	1	LEFT COVER	
7	2101176	3	BELT HOOK	
8	2101334	2	BELT HOOK WITHOUT SENSOR	
9	2101134	1	SEAT DRAWER	
10	2101135	1	RIGHT COVER	

*BODY, CAB, ROOF*

Applies to 7457001-03 [7200190-03]



*BODY, CAB, ROOF*

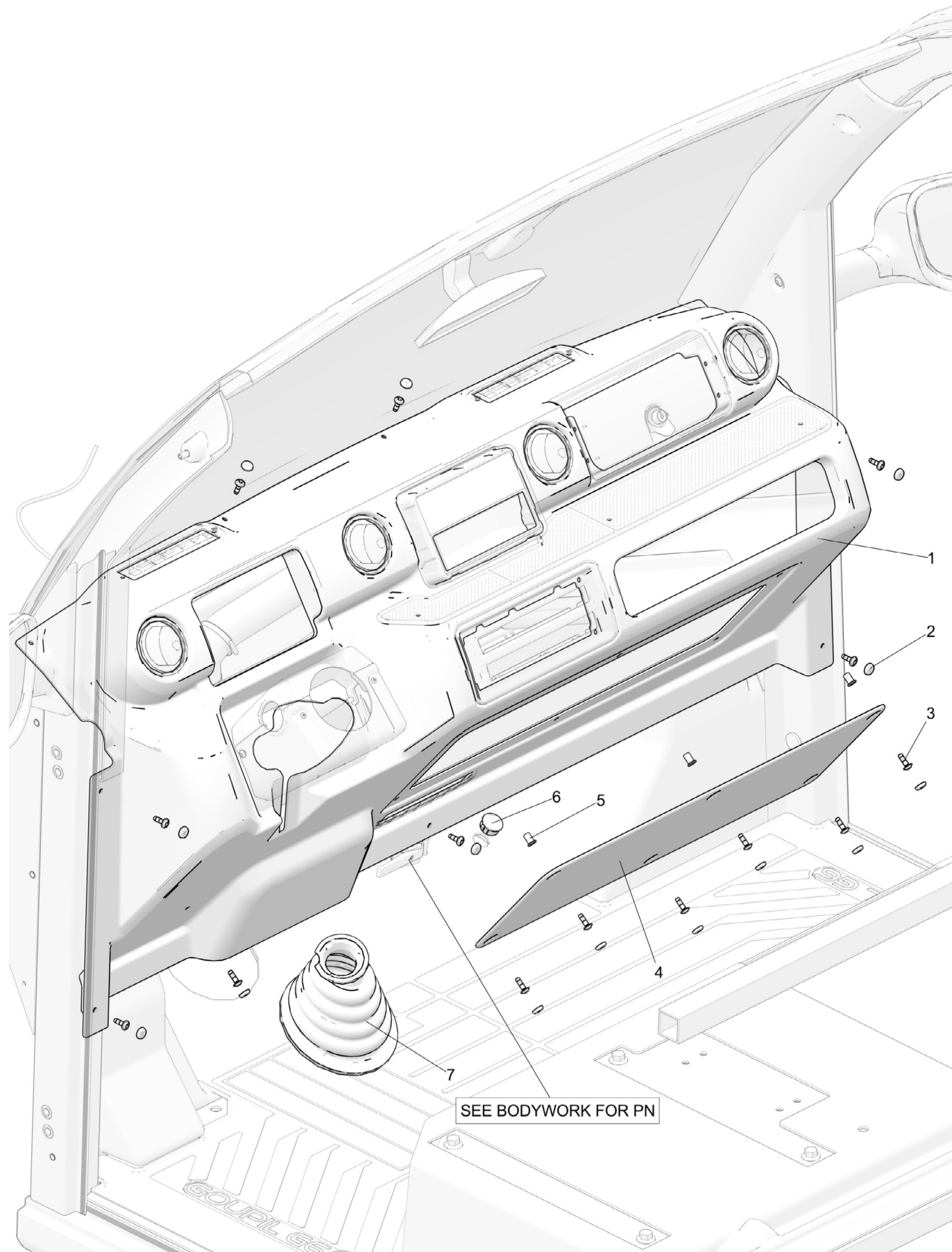
Applies to 7457001-03 [7200190-03]

Ref.	Part No.	Qty	Part Description	Notes
1	6207597	1	FRONT LEFT PILLAR COVER	
2	6207586	1	HEADLINER	
3	6112249	1	HANDLE	
4	5055024	2	SCREW	
5	5055117	4	SCREW	
6	4151149	4	TORX CAP	
7	4250245	4	GRAB HANDLE	
8	6207598	1	FRONT RIGHT PILLAR COVER	
9	4150740	12	SPACER	
10	5250004	4	NUT	
11	6207676	2	LINING	
12	3450623	4	EQUIPMENT BUTTON COVER	
13	4151150	2	TORX CAP	
14	4200513	1	SUNSHADE	SET OF PAIR
15	5300091	1	NYTRIL WASHER	
16	4150589	1	INTERNAL REAR VIEW MIRROR BASE	
17	4150956	1	INTERIOR REAR VIEW MIRROR	
18	4151073	1	SUNSHADE HOOK	
19	5105082	1	SCREW	
20	4250225	4	ACRYLIC ADHESIVE TAPE	
21	4151115	1	RAIN SENSOR BRACKET	
22	3450570	1	LIGHT/RAIN SENSOR	
23	6207689	1	LIGHT/RAIN SENSOR COVER	



BODY, CAB, DASHBOARD

Applies to 7457001-03 [7200190-03]



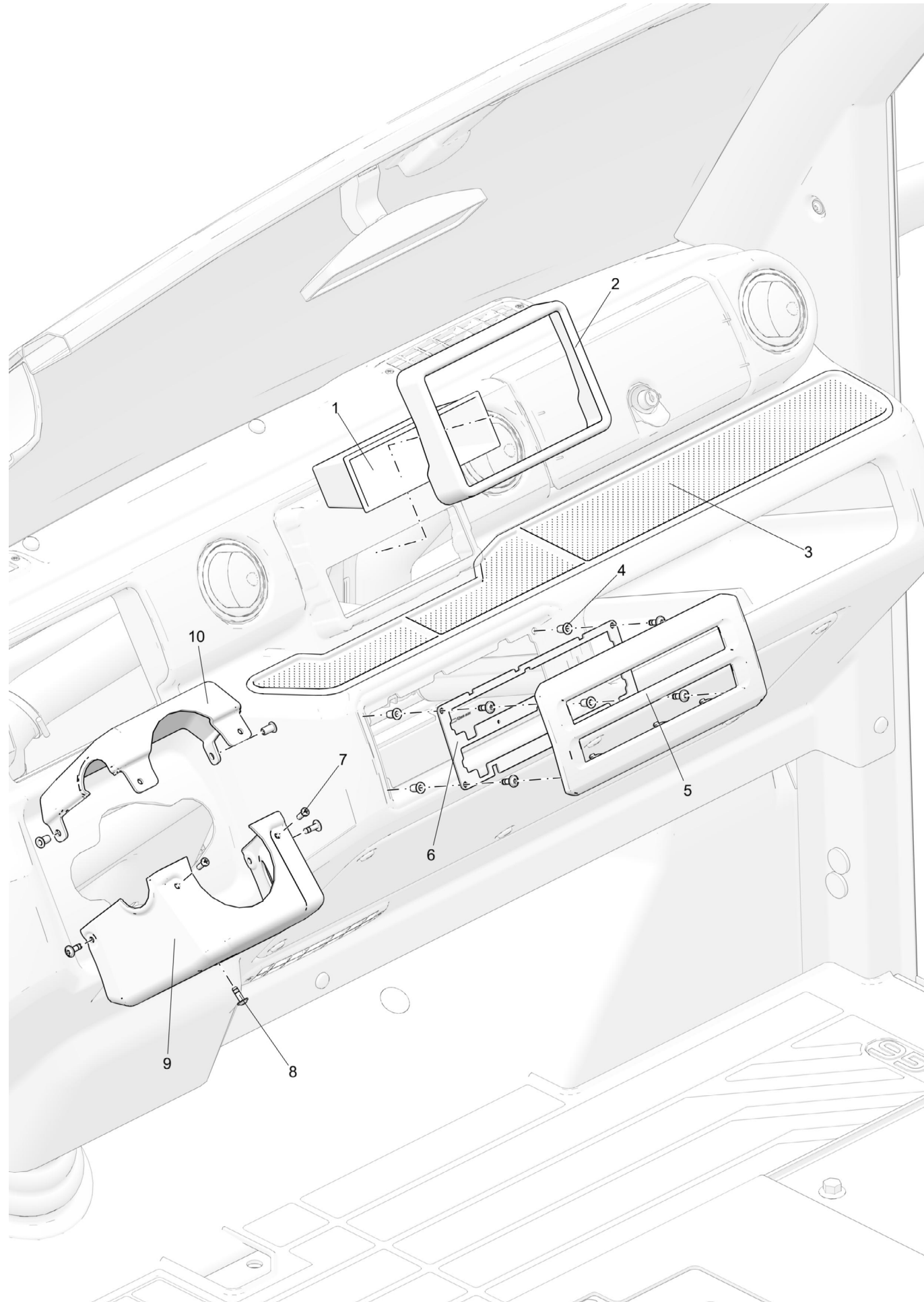
BODY, CAB, DASHBOARD

Applies to 7457001-03 [7200190-03]

Ref.	Part No.	Qty	Part Description	Notes
1	6200555	1	DASHBOARD (COMPLETE)	
2	4151150	14	TORX CAP	
3	5055117	15	SCREW	
4	6207693	1	DASHBOARD TRAP	
5	5250043	3	INSERT	
6	4150992	1	PLUG	
7	6207743	1	DIRECTION SEAL	

*BODY, CAB, DASHBOARD COVERS*

**Applies to 7457001-03 [7200190-03]**



*BODY, CAB, DASHBOARD COVERS*

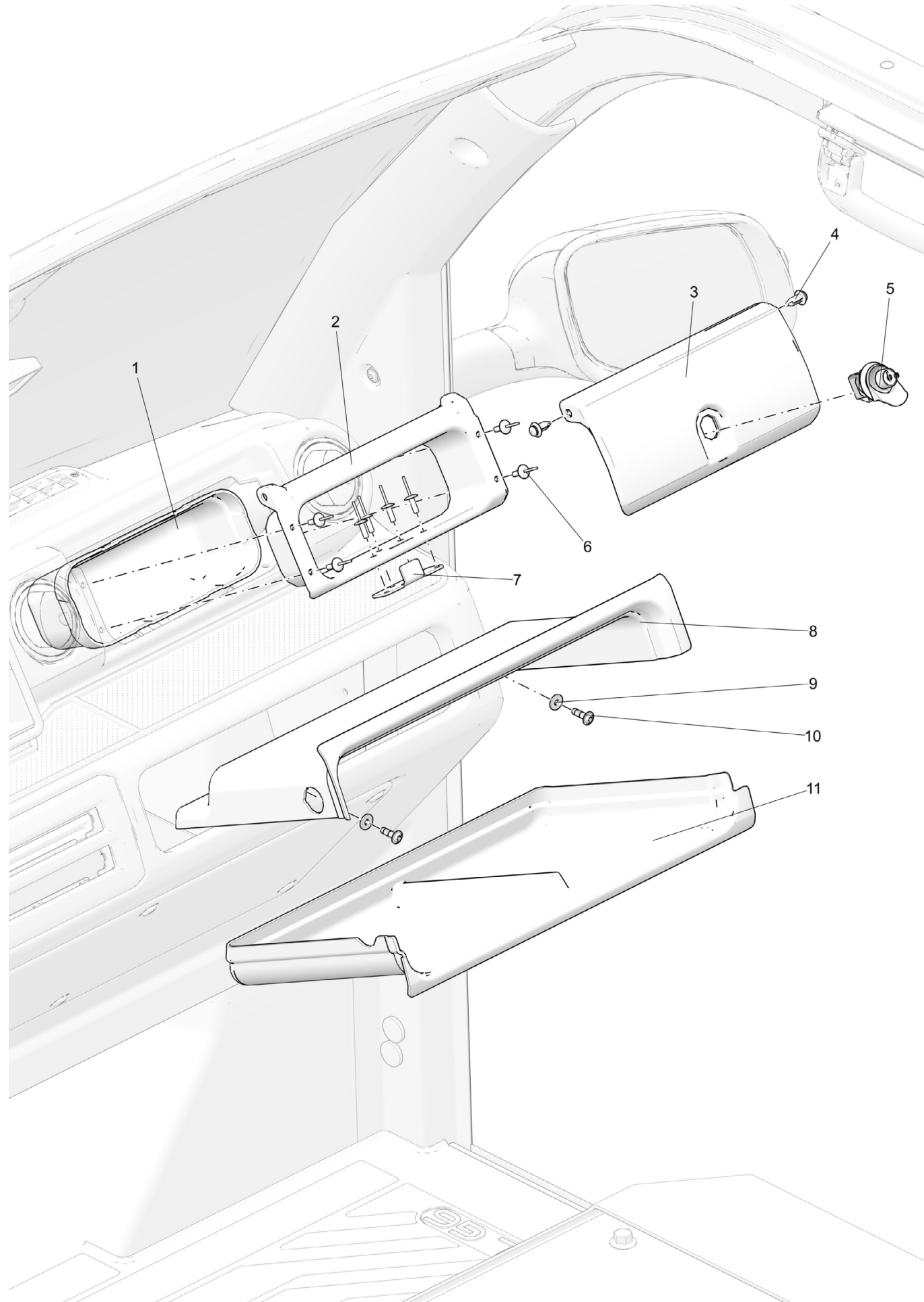
**Applies to 7457001-03 [7200190-03]**

Ref.	Part No.	Qty	Part Description	Notes
1	4150431	1	DASHBOARD STORAGE COMPARTMENT	
2	6207640	1	DOUBLE DIN COVER	
3	6207589	1	DASHBOARD CARPET	
4	5250015	6	INSERT	
5	6207600	1	SWITCH PANEL	
6	6112485	1	SWITCH BRACKET	
7	5100086	2	BOLT	
8	5105079	7	SCREW	
9	6207632	1	LOWER STEERING COLUMN COVER	
10	6207754	1	UPPER STEERING COLUMN COVER	



BODY, CAB, GLOVE BOX

Applies to 7457001-03 [7200190-03]



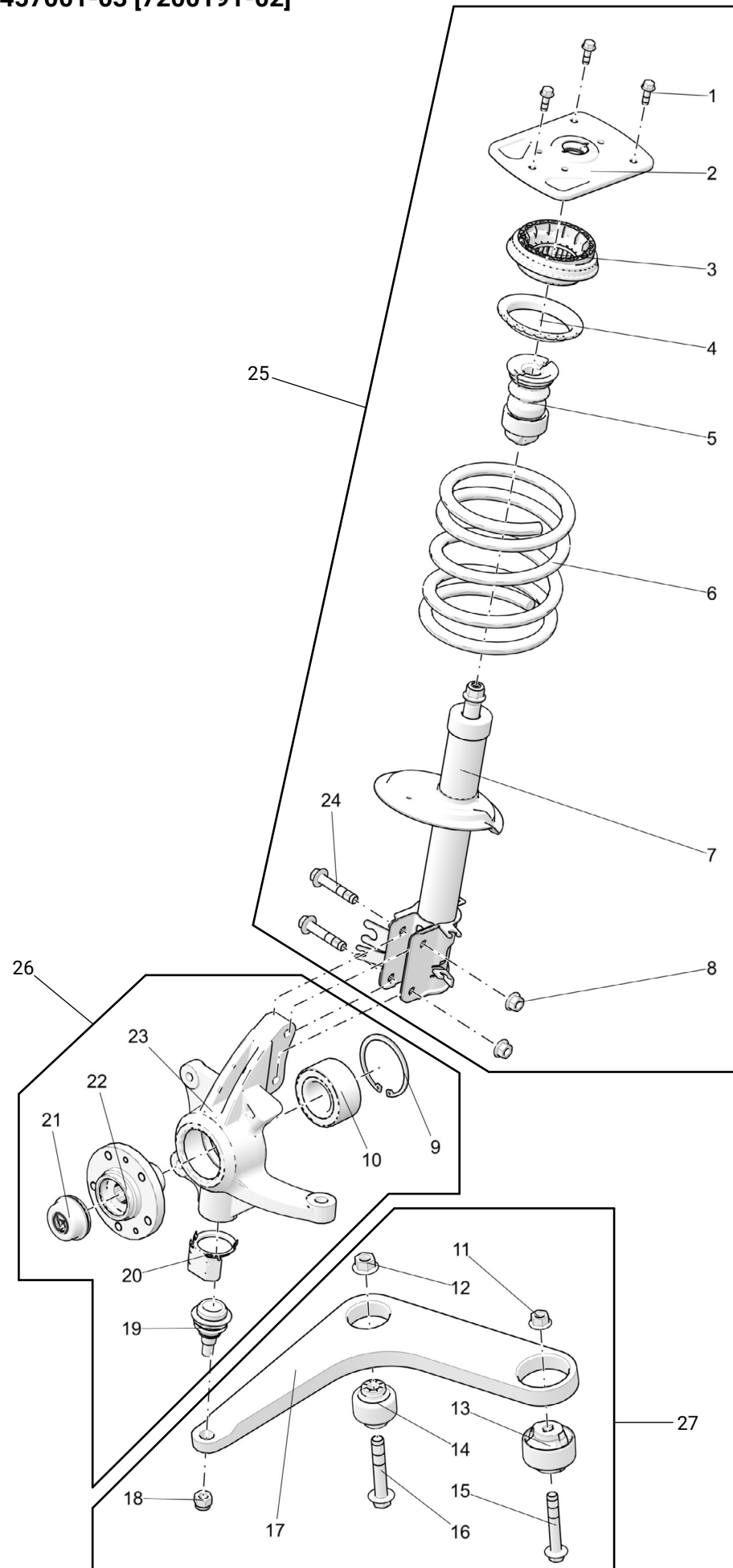
BODY, CAB, GLOVE BOX

Applies to 7457001-03 [7200190-03]

Ref.	Part No.	Qty	Part Description	Notes
1	6207662	1	GLOVE BOX BODY	
2	6207643	1	GLOVE BOX OVERLAY	
3	6207644	1	GLOVE BOX DOOR	
4	7140818	1	10 PLASTIC RIVETS SET	
5	4150581	1	GLOVE BOX CATCH	
6	5400019	8	RIVET	
7	2101138	1	LOCK PLATE	
8	6207641	1	UPPER STORAGE SHELL	
9	5300091	2	NITRYL WASHER	
10	5055117	2	SCREW	
11	6207642	1	LOWER STORAGE SHELL	

SUSPENSION, FRONT LEFT SUSPENSION

Applies to 7457001-03 [7200191-02]



SUSPENSION, FRONT LEFT SUSPENSION

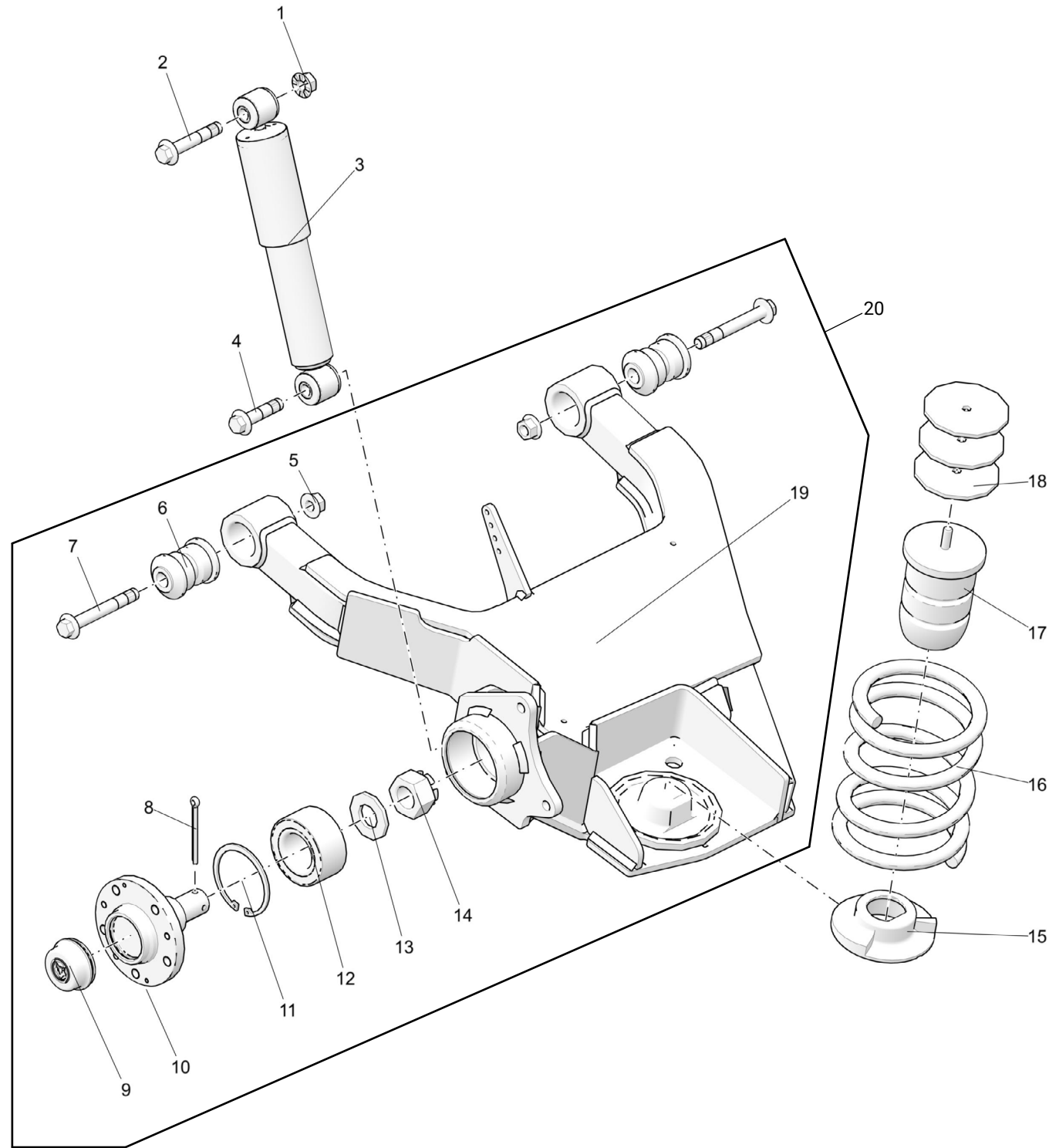
Applies to 7457001-03 [7200191-02]

Ref.	Part No.	Qty	Part Description	Notes
1	5055083	3	SCREW	
2	4151084	1	SHOCK ABSORBER BRACKET	
3	4151086	1	SPRING TOWER TOP	
4	4151087	1	SPRING TOWER TOP	
5	4151083	1	STOP	
6	6207787	1	FRONT SPRING	
7	6200809	1	SHOCK ABSORBER	
8	5205012	2	NUT	
9	5450035	1	RING	
10	4151080	1	BEARING	
11	5205013	1	NUT	
12	5205014	1	NUT	
13	4151078	1	SILENT BLOC	
14	4151077	1	SILENT BLOC	
15	5055170	1	SCREW	
16	5055116	1	SCREW	
17	6112258	1	FRONT LEFT WISHBONE	
18	4151101	1	NUT	
19	4151081	1	BALL JOINT	
20	4151085	1	BALL JOINT PROTECTION	
21	6207682	1	CAP	
22	6200813	1	FRONT HUB	
23	6200807	1	LH WHEEL CARRIER	
24	5055169	2	SCREW	
25	7140753	1	PRE ASSEMBLED FRONT SHOCK ABSORBER	
26	7140755	1	PRE ASSEMBLED FRONT LEFT WHEEL CARRIER	
27	7140757	1	PRE ASSEMBLED FRONT LEFT WISHBONE	



SUSPENSION, REAR LEFT SUSPENSION

Applies to 7457001-03 [7200192-02]



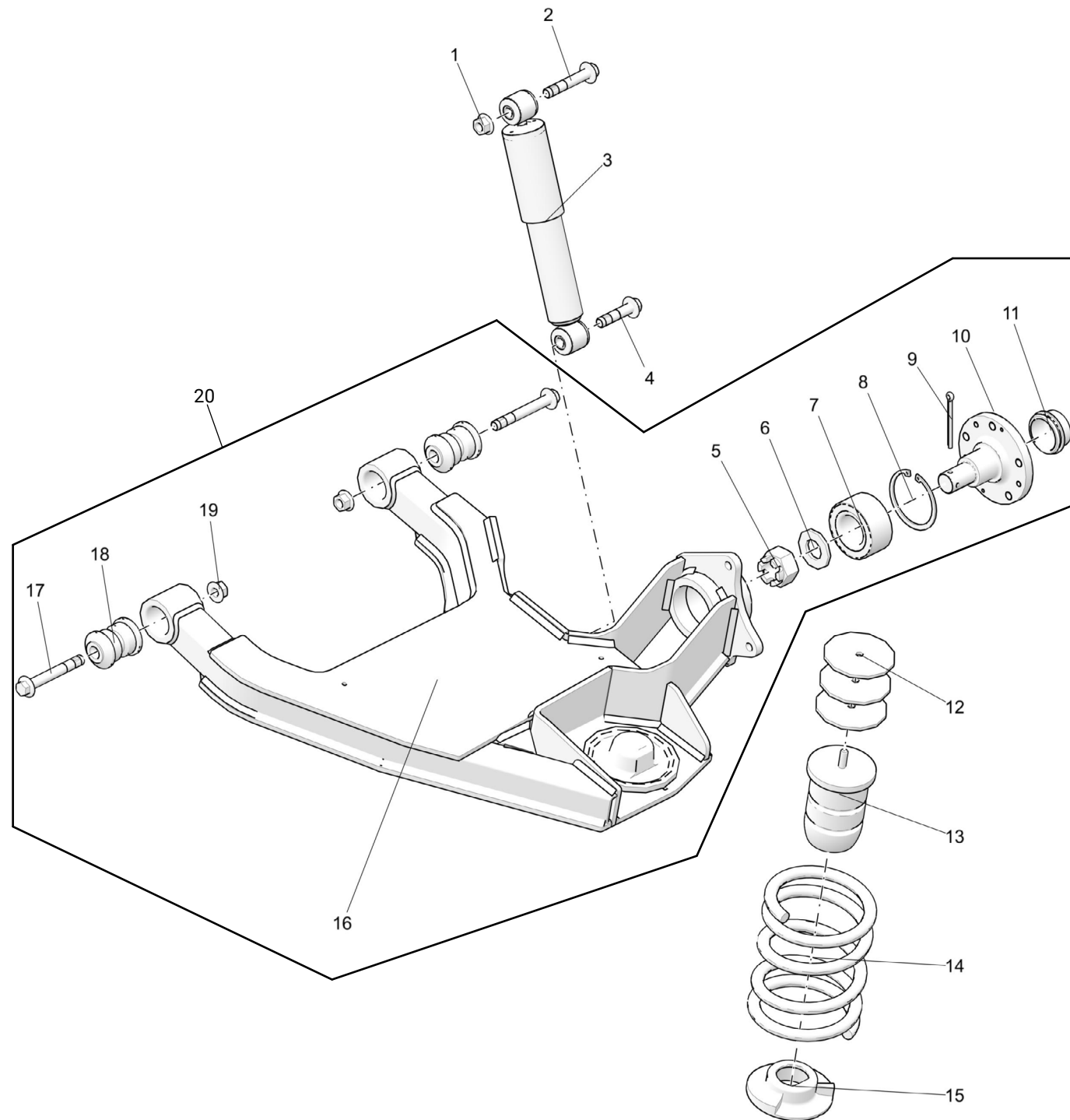
SUSPENSION, REAR LEFT SUSPENSION

Applies to 7457001-03 [7200192-02]

Ref.	Part No.	Qty	Part Description	Notes
1	5205013	1	NUT	
2	5055136	1	SCREW	
3	6200810	1	SHOCK ABSORBER	
4	5055135	1	SCREW	
5	5205019	2	NUT	
6	4151079	2	SILENT BLOC	
7	5055174	2	SCREW	
8	5450036	1	PIN	
9	6207682	1	CAP	
10	6200814	1	REAR HUB	
11	5450035	1	RING	
12	4151080	1	BEARING	
13	6207711	1	REAR HUB WASHER	
14	5250095	1	NUT	
15	4151088	1	SUSPENSION TOWER	
16	6207788	1	REAR SPRING	
17	4151082	1	BUMP STOP	
18	6112819	3	REAR STOP SHIM	
19	6004515	1	LH REAR SUSPENSION ARM	
20	7140759	1	PRE ASSEMBLED REAR LEFT SUSPENSION ARM	

SUSPENSION, REAR RIGHT SUSPENSION

Applies to 7457001-03 [7200192-02]



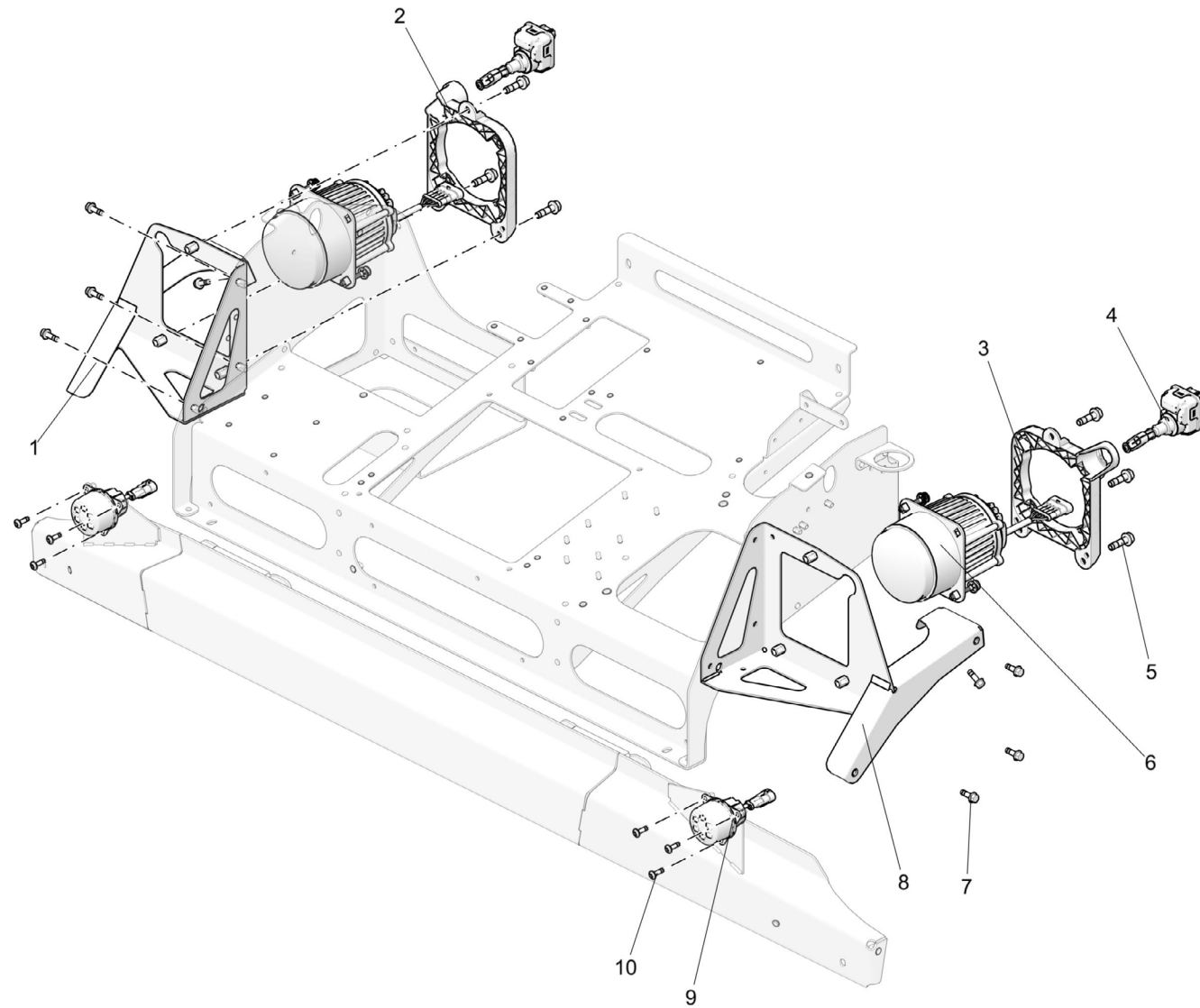
SUSPENSION, REAR RIGHT SUSPENSION

Applies to 7457001-03 [7200192-02]

Ref.	Part No.	Qty	Part Description	Notes
1	5205013	1	NUT	
2	5055136	1	SCREW	
3	6200810	1	SHOCK ABSORBER	
4	5055135	1	SCREW	
5	5250095	1	NUT	
6	6207711	1	REAR HUB WASHER	
7	4151080	1	BEARING	
8	5450035	1	RING	
9	5450036	1	PIN	
10	6200814	1	REAR HUB	
11	6207682	1	CAP	
12	6112819	3	REAR STOP SHIM	
13	4151082	1	BUMP STOP	
14	6207788	1	REAR SPRING	
15	4151088	1	SUSPENSION TOWER	
16	6004516	1	RH REAR SUSPENSION ARM	
17	5055174	2	SCREW	
18	4151079	2	SILENT BLOC	
19	5205019	2	NUT	
20	7140760	1	PRE ASSEMBLED REAR RIGHT SUSPENSION ARM	

*ELECTRICAL, FRONT LIGHTS*

**Applies to 7457001-03 [7200193-04]**



*ELECTRICAL, FRONT LIGHTS*

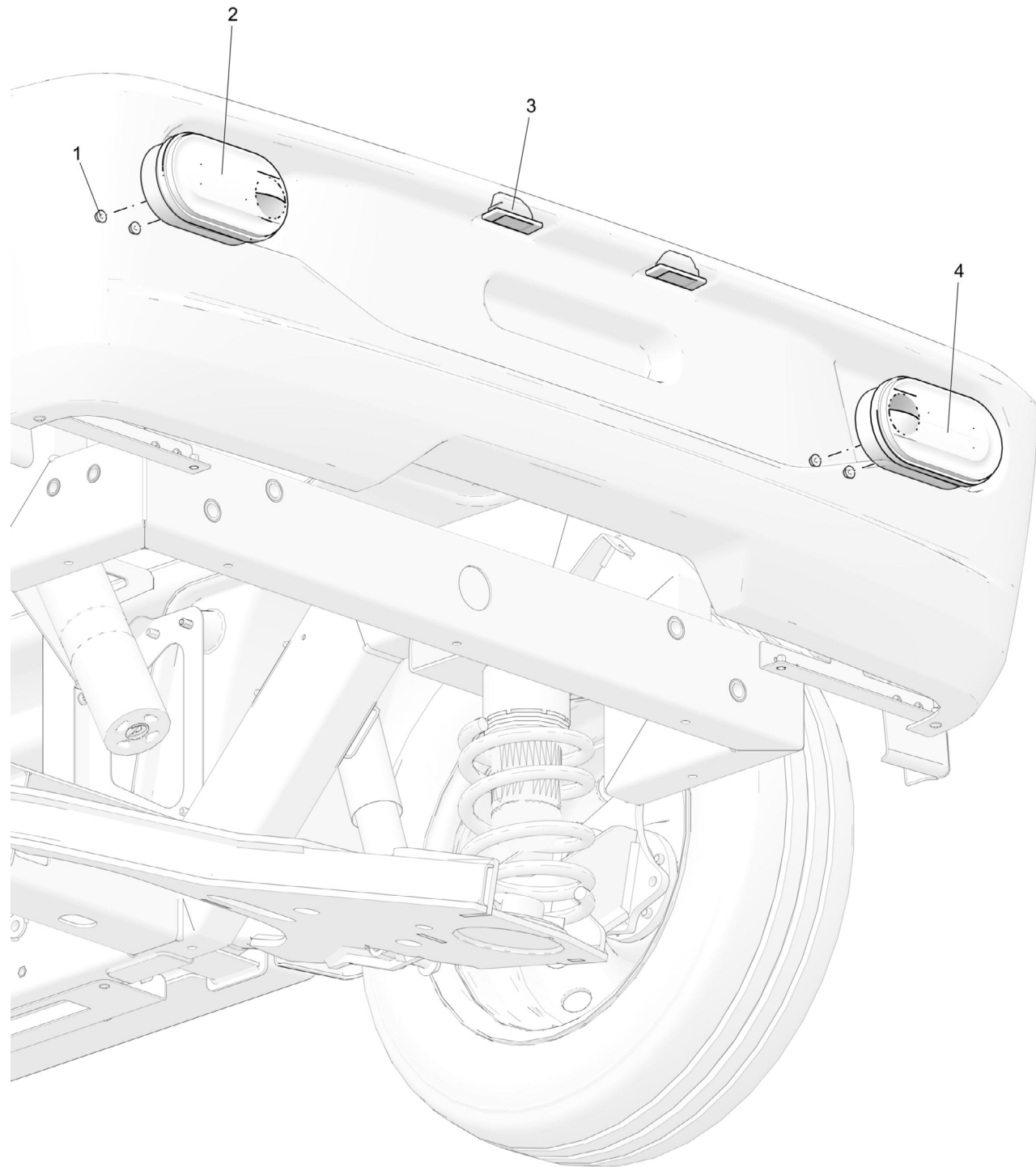
**Applies to 7457001-03 [7200193-04]**

Ref.	Part No.	Qty	Part Description	Notes
1	6004581	1	LH HEADLIGHT BRACKET	
2	2100762	1	FRONT LIGHT BRACKET	
3	2100763	1	RH FRONT LIGHT BRACKET	
4	3450574	2	LIGHT TILT	
5	5055026	6	SCREW	
6	2100761	2	FRONT LIGHT	
7	5055014	8	SCREW	
8	6004580	1	LH HEADLIGHT BRACKET	
9	6200554	2	TURN SIGNAL	
10	5105005	6	SCREW	



*ELECTRICAL, REAR LIGHTS*

**Applies to 7457001-03 [7200193-04]**



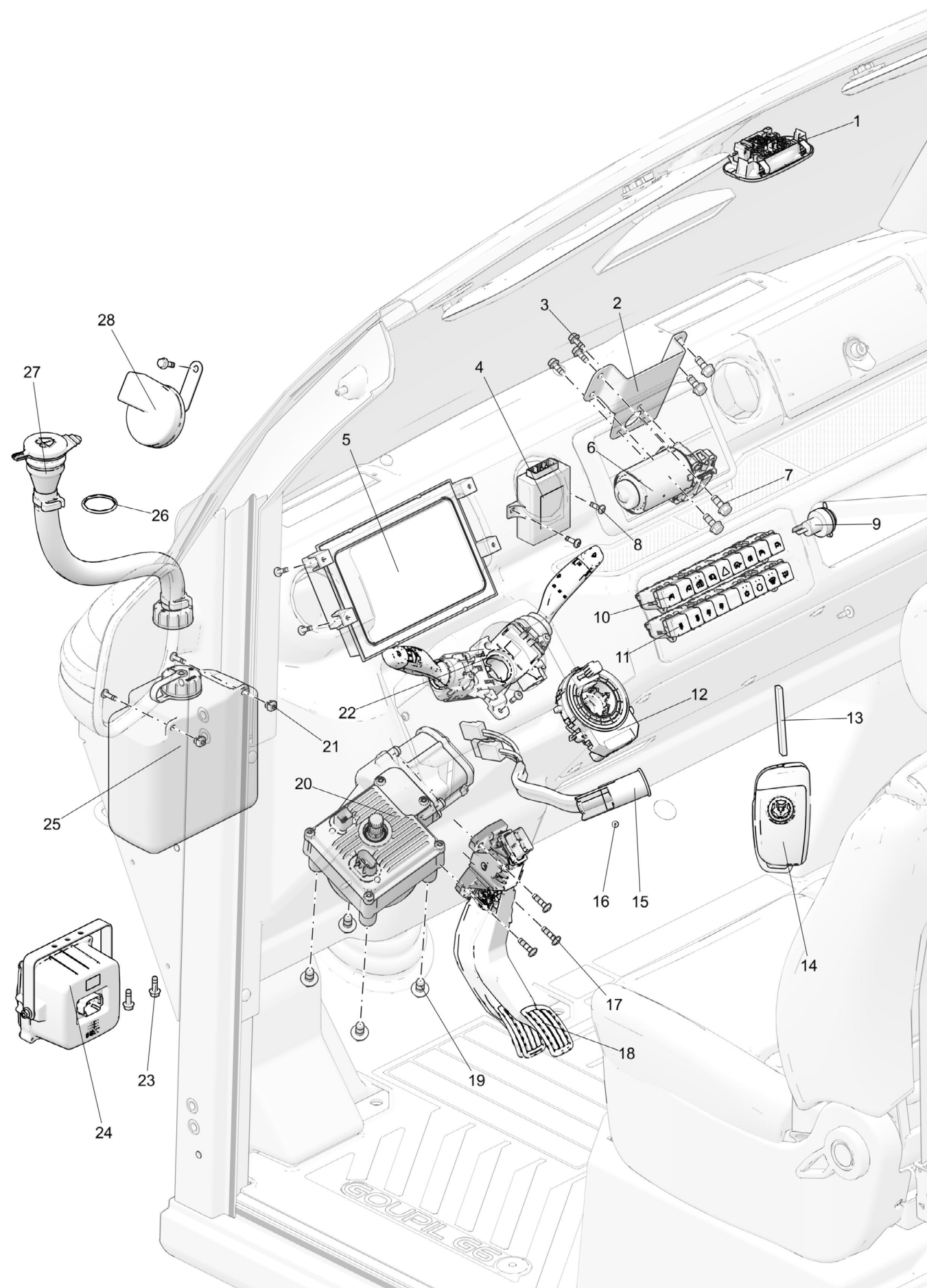
*ELECTRICAL, REAR LIGHTS*

**Applies to 7457001-03 [7200193-04]**

Ref.	Part No.	Qty	Part Description	Notes
1	5205002	4	NUT	
2	3550140	1	REAR LIGHT (HORIZONTAL & VERTICAL)	
3	3550107	2	NUMBER PLATE LIGHT	
4	3550141	1	REAR LIGHT (HORIZONTAL)	
4	3550142	1	REAR LIGHT (VERTICAL)	FOR VAN OPTION ONLY

*ELECTRICAL, DASH INSTRUMENTS*

Applies to 7457001-03 [7200193-04]



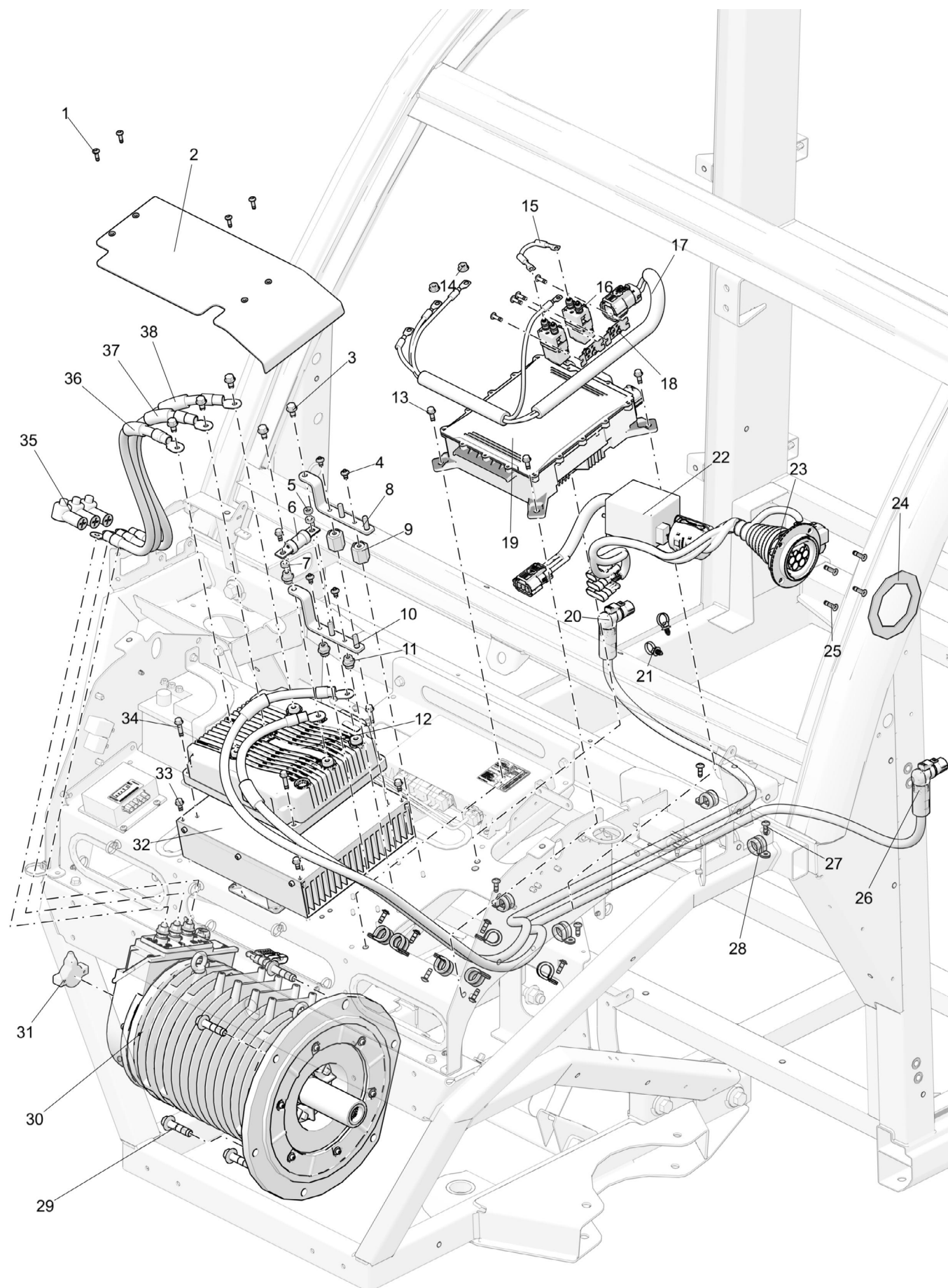
*ELECTRICAL, DASH INSTRUMENTS*

Applies to 7457001-03 [7200193-04]

Ref.	Part No.	Qty	Part Description	Notes
1	3450581	1	CABIN CEILING LIGHT	
2	6112669	1	WIPER MOTOR BRACKET	
3	5055013	3	SCREW	
4	2101141	1	CENTRAL LOCKING CONTROL MODULE	
4	2101294	1	CENTRAL LOCKING CONTROL MODULE	2 REMOTES INCLUDED
5	3450564	1	DISPLAY	
6	3500297	1	WIPER MOTOR	
7	5055024	4	SCREW	
8	5105005	9	SCREW	
9	3450309	1	12V/20A SOCKET	
10	3450568	1	SWITCH BAR	
11	3450569	1	SWITCH BAR	
12	3450576	1	CLOCK SPRING	
13	2101140	1	BLANK KEY BLADE	
14	2101139	1	CENTRAL LOCKING REMOTE	
15	3450624	1	BARREL WITH 2 KEYS AND CENTRAL LOCKING CONTROL MODULE	
16	5100149	1	SCREW	
17	5105026	3	SCREW	
18	3450631	1	THROTTLE PEDAL	
19	5055144	4	SCREW	
20	4200549	1	ELECTRIC POWER STEERING	
21	5250053	2	NUT	
22	3450566	1	STALK	
23	5055014	3	SCREW	
24	3450565	1	AVAS	
25	4151128	1	SCREEN WASHER TANK	
26	4151138	1	O RING	
27	4151107	1	PLUG AND FILLING PIPE	
28	3450066	1	12V HORN	

**ELECTRICAL, MOTOR BAY, POWER COMPONENTS**

**Applies to 7457001-03 [7200193-04]**



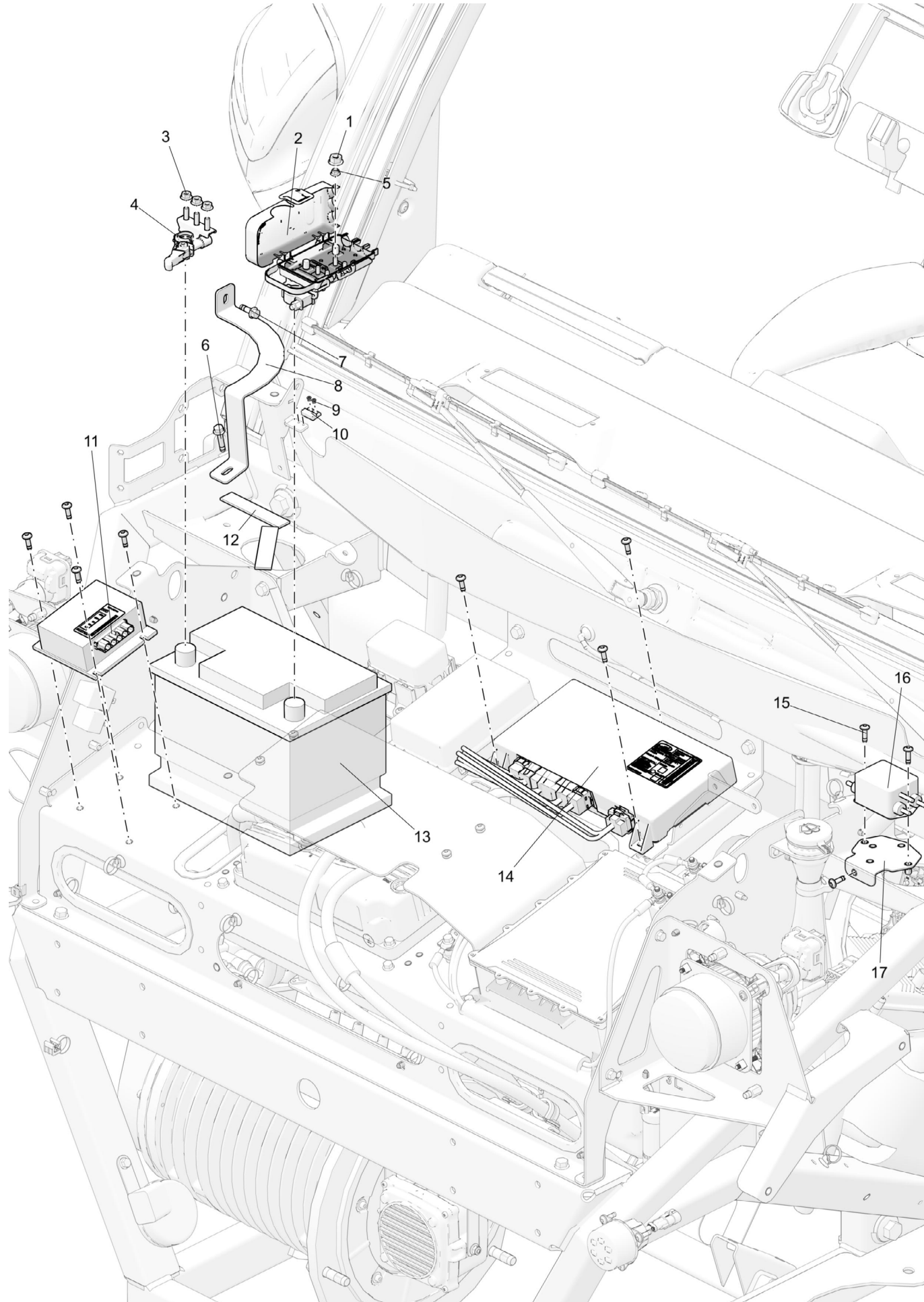
**ELECTRICAL, MOTOR BAY, POWER COMPONENTS**

**Applies to 7457001-03 [7200193-04]**

Ref.	Part No.	Qty	Part Description	Notes
1	5105005	8	SCREW	
2	6200552	1	COVER	
3	5055023	5	SCREW	
4	5105011	4	SCREW	
5	6108690	2	COPPER SPACER	
6	3450634	1	FUSE 150 A	
7	4150740	1	SPACER	
8	6004666	1	BUS BAR	
9	3450647	2	INSULATOR SPACER	
10	6004667	1	BUS BAR	
11	3450645	3	INSULATOR SPACER	
12	3500265	1	MOTOR CONTROLLER	
13	5055014	4	SCREW	
14	5205010	2	NUT	
15	6301101	1	ELECTRIC CABLE	
16	3450393	2	CONTACTOR	
17	6200837	1	ELECTRIC HARNESS	
18	3450089	2	OMEGA FIXATION	
19	7140852	1	PROGRAMMED CHARGER 6.6 KW	
20	6301100	1	BATTERY + CABLE	
21	3200045	2	COLLAR	
22	3500305	1	EMC FILTER	
23	6200342	1	TYPE 2 HARNESS	INCLUDES ECM FILTER
24	4250160	1	SEAL	
25	5105091	4	SCREW	
26	6301099	1	BATTERY - CABLE	
27	5105013	10	SCREW	
28	4150938	10	COLLAR	
29	5055137	6	SCREW	
30	7140754	1	36 KW MOTOR	
31	2101271	1	MAGNETIC MOTOR ENCODER	
32	6207602	1	THERMAL HEATSINK	
33	5055013	5	SCREW	
34	5055016	4	SCREW	
35	3450242	3	MOTOR TERMINAL COVER	
36	6301096	1	U CABLE	
37	6301097	1	V CABLE	
38	6301098	1	W CABLE	

*ELECTRICAL, MOTOR BAY, 12V COMPONENTS*

**Applies to 7457001-03 [7200193-04]**



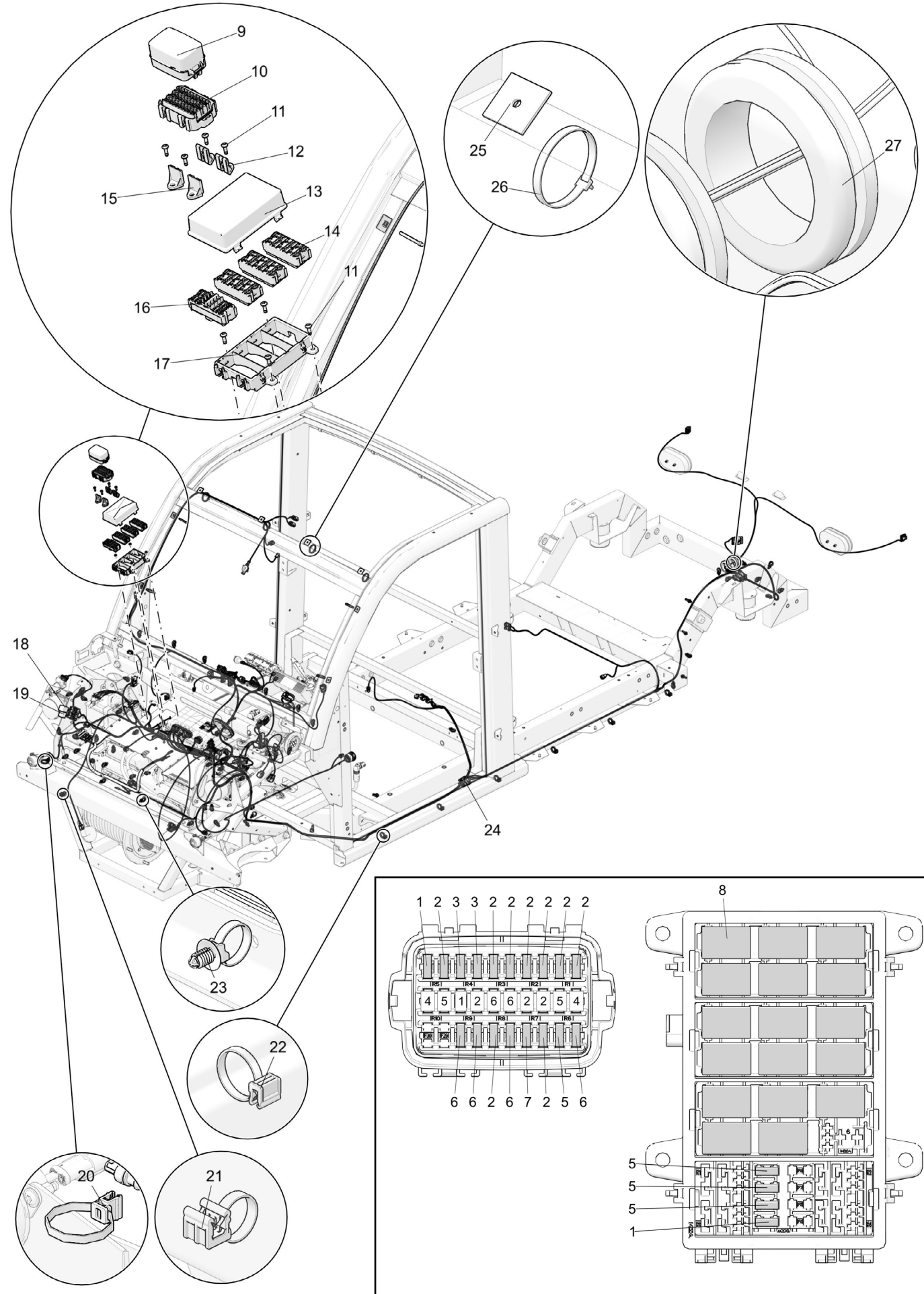
*ELECTRICAL, MOTOR BAY, 12V COMPONENTS*

**Applies to 7457001-03 [7200193-04]**

Ref.	Part No.	Qty	Part Description	Notes
1	5205010	1	NUT	
2	3450434	1	TERMINAL BLOCK WITH FUSES	
3	5205002	3	NUT	
4	3450435	1	BATTERY TERMINAL	
5	5205021	1	NUT	
6	5055016	1	SCREW	
7	5055014	1	SCREW	
8	6112486	1	BATTERY CLAMP	
9	5400034	2	BLIND RIVET	
10	6200846	1	PROXIMITY SENSOR	
11	3500274	1	CONVERTER	
12	4250160	2	SEAL	
13	3500278	1	12V BATTERY	
14	3450562	1	ECU	
15	5105005	10	SCREW	
16	3500303	1	FILTER	
17	6004683	1	FILTER BRACKET	

**ELECTRICAL, HARNESS, FUSES, RELAYS**

**Applies to 7457001-03 [7200193-04]**



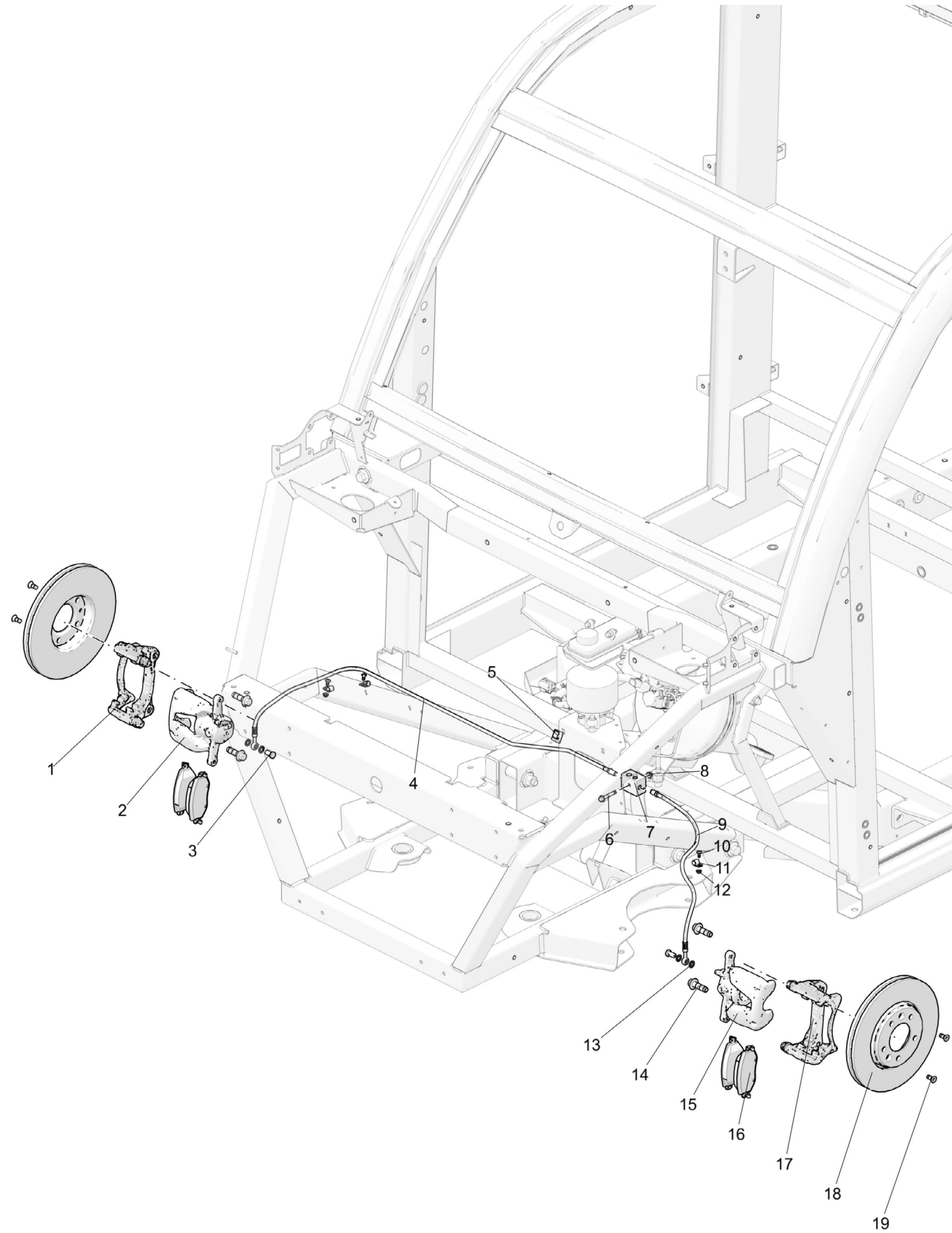
**ELECTRICAL, HARNESS, FUSES, RELAYS**

**Applies to 7457001-03 [7200193-04]**

Ref.	Part No.	Qty	Part Description	Notes
1	3450416	2	MINIFUSE 15A	
2	3450458	12	MINIFUSE 20A	
3	3450520	2	MINIFUSE 2A	
4	3450415	2	MINIFUSE 30A	
5	3450414	6	MINIFUSE 10A	
6	3450417	6	MINIFUSE 5A	
7	3450479	1	MINIFUSE 25A	
8	3450237	17	MICRO RELAY 12V	
9	3450601	1	HYBRID REL/FUS COVER	
10	3350324	1	FUSE RELAY HOLDER	
11	5105005	8	SCREW	
12	3450608	2	HYBRID REL/FUS FIXING PLATE	
13	3450607	1	HYBRID REL/FUS COVER	
14	3350262	3	6 MICRORELAYS MODULE	
15	3450609	2	HYBRID REL/FUS FIXING PLATE	
16	3350296	1	MINIVAL MICRORELAY MODULE	
17	3450606	1	HYBRID REL/FUS FRAME	
18	3450595	1	INDICATOR RELAY UNIT	
19	3450615	1	RELAY	
20	3450363	1	CLIP	
21	3450441	1	CLIP	
22	3200046	7	COLLAR	
23	3200045	49	COLLAR	
24	6200804	1	MAIN HARNESS	
25	3450446	8	ADHESIVE TIE MOUNTS	
26	3200005	8	COLLAR	
27	4250177	2	GROMMET	
28	7140821	1	G6 FUSES / RELAYS SET	

**BRAKES, FRONT BRAKES**

**Applies to 7457001-03 [7200194-02]**



**BRAKES, FRONT BRAKES**

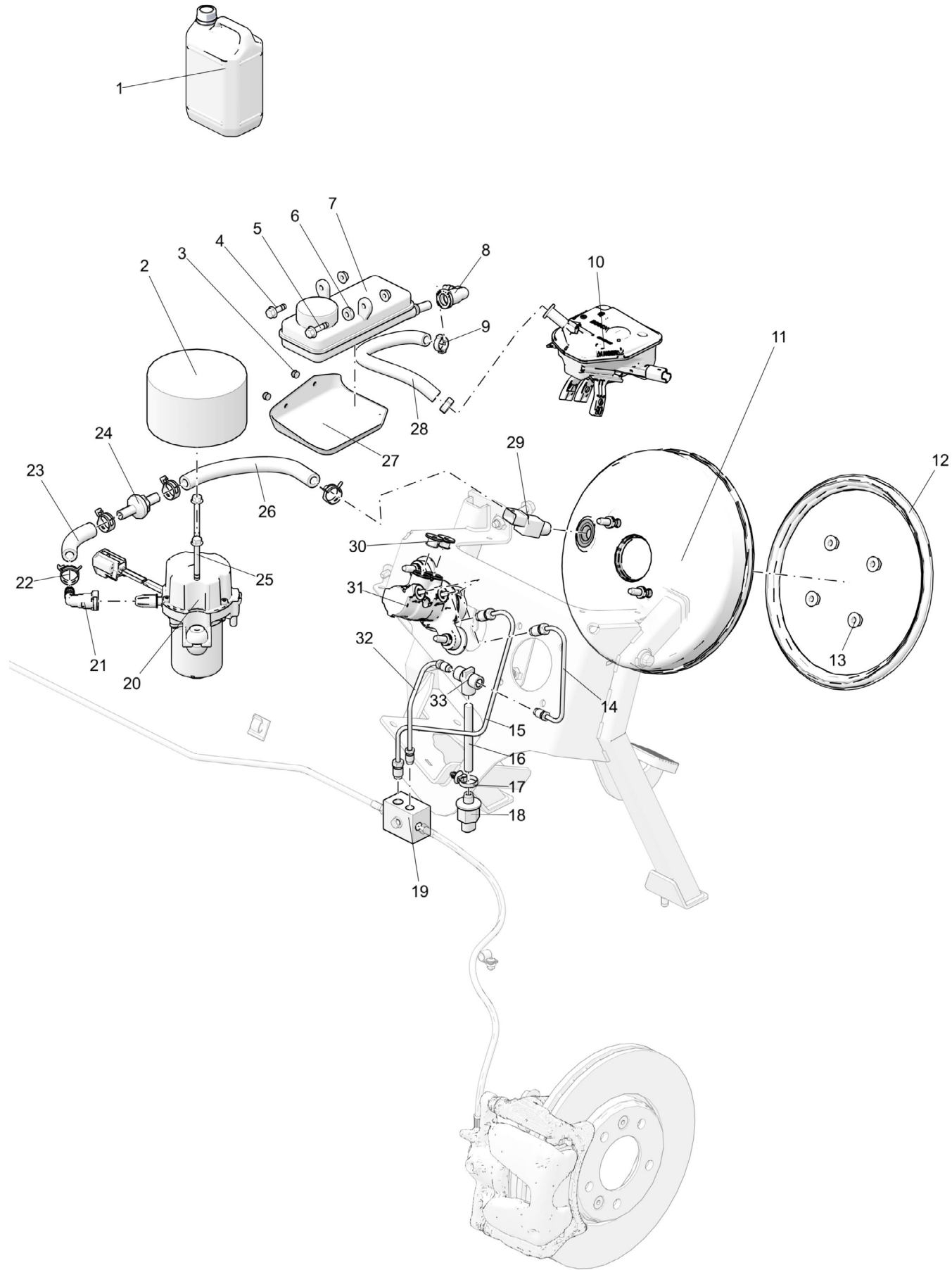
**Applies to 7457001-03 [7200194-02]**

Ref.	Part No.	Qty	Part Description	Notes
1	4151069	1	FRONT RH CALIPER BRACKET	
2	4000550	1	FRONT - RH - CALIPER	
3	4000440	2	HOLLOW SCREW	
4	6400055	1	FRONT BRAKE HOSE	
5	3200047	1	CLIP	
6	5055019	1	SCREW	
7	4000511	1	BRAKE COUPLING 6 WAYS	
8	5205002	3	NUT	
9	6400052	1	FRONT BRAKE HOSE	
10	5105003	3	SCREW	
11	4150232	3	COLLAR	
12	5205001	2	NUT	
13	105413212	4	SEAL	
14	5055148	4	SCREW	
15	4000549	1	FRONT - LH - CALIPER	
16	4151143	1	FRONT BRAKE PADS SET	
17	4151068	1	FRONT LH CALIPER BRACKET	
18	7140761	2	FRONT BRAKE DISCS	
19	5105105	4	SCREW	



**BRAKES, FRONT BRAKES**

**Applies to 7457001-03 [7200194-02]**



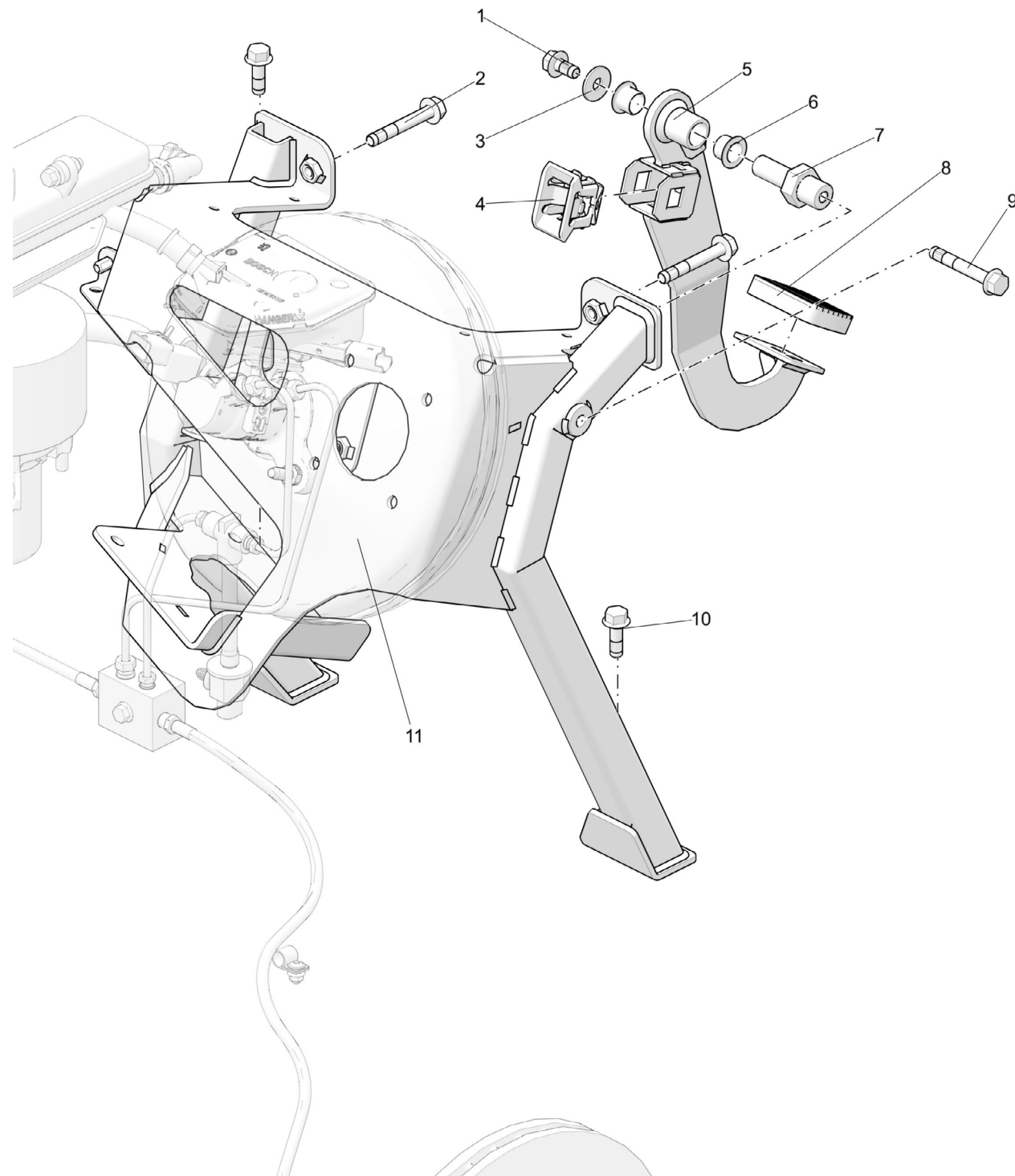
**BRAKES, FRONT BRAKES**

**Applies to 7457001-03 [7200194-02]**

Ref.	Part No.	Qty	Part Description	Notes
1	4000285	1	BRAKE FLUID CAN (0.5L)	
2	6200557	1	VACUUM PUMP INSULATOR	
3	5400021	2	STAINLESS STEEL RIVET 4.8X10	
4	5055014	1	SCREW	
5	5055015	1	SCREW	
6	4150740	1	SPACER	
7	4000546	1	BRAKE FLUID TANK	
8	4000559	1	BRAKE LIQUID CONNECTOR	
9	4150302	2	ST STEEL EAR CLAMP	
10	4000545	1	BRAKE FLUID TANK	
11	4200508	1	BRAKE BOOSTER	
12	4250113	1	ELASTOMER SEAL	
13	5205003	4	NUT	
14	6200820	1	BRAKE PIPE	
15	6200821	1	BRAKE PIPE	
16	6207219	1	BRAKE SENSOR ISOLATION HOSE	
17	3200045	1	COLLAR	
18	4000371	1	PROPORTIONAL HYDRAULIC SENSOR	
19	4000511	1	BRAKE COUPLING 6 WAYS	
20	3500275	1	ELECTRIC VACUUM PUMP	
21	4000556	1	VACUUM PUMP CONNECTOR	
22	4150663	4	COLLAR	
23	4000557	1	AIR VACUUM HOSE	
24	4000558	1	AIR CHECK VALVE	
25	5055020	2	SCREW	
26	4000557	1	AIR VACUUM HOSE	
27	6207753	1	BRAKE TANK CUP	
28	4000560	1	BRAKE LIQUID HOSE	
29	3450561	1	VACUUM SENSOR	
30	4000547	1	SEAL	
31	4000544	1	MASTER CYLINDER	
32	6200826	1	BRAKE PIPE	
33	4000476	1	T-UNION	

**BRAKES, FRONT BRAKES**

**Applies to 7457001-03 [7200194-02]**



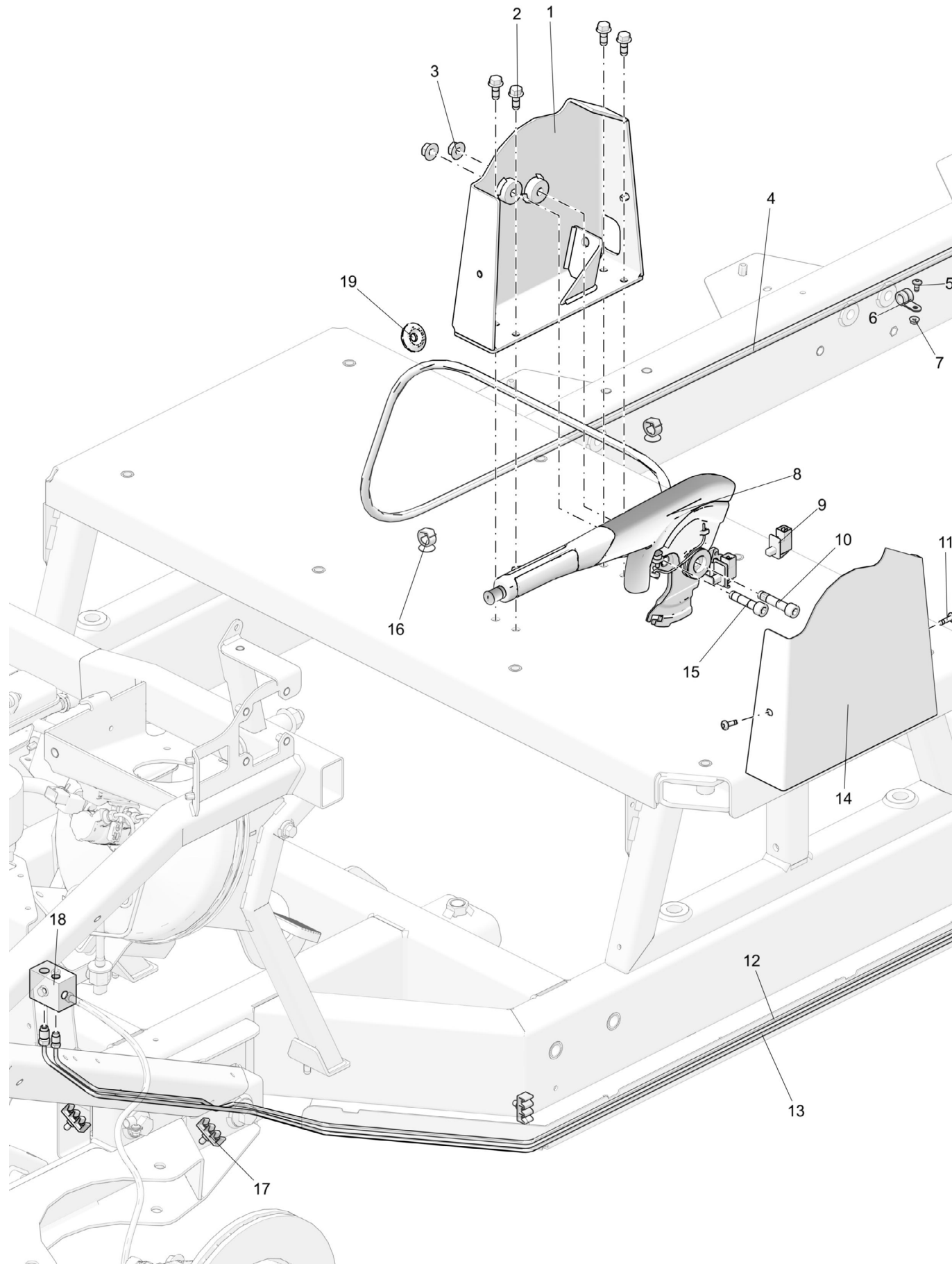
**BRAKES, FRONT BRAKES**

**Applies to 7457001-03 [7200194-02]**

Ref.	Part No.	Qty	Part Description	Notes
1	5055023	1	SCREW	
2	5055118	2	SCREW	
3	5300085	1	WASHER	
4	4151064	1	CLIP	
5	6004510	1	BRAKE PEDAL	
6	4151154	2	BEARING	
7	6112800	1	BRAKE PEDAL AXEL	
8	4150898	1	BRAKE PEDAL RUBBER PAD	
9	5055119	1	SCREW	
10	5055025	2	SCREW	
11	6004582	1	PEDAL UNIT	

*BRAKES, HANDBRAKE, PIPING*

**Applies to 7457001-03 [7200194-02]**



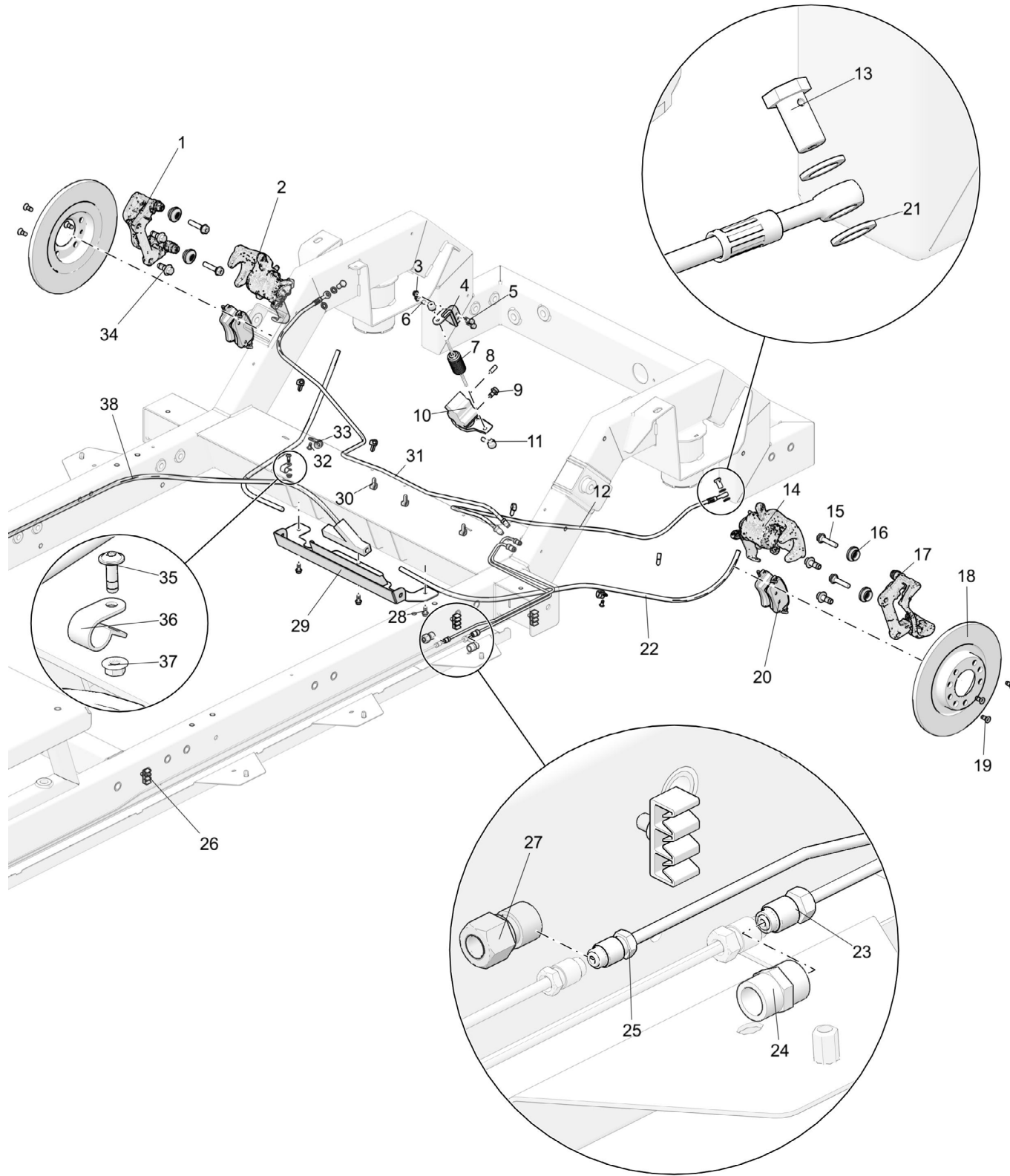
*BRAKES, HANDBRAKE, PIPING*

**Applies to 7457001-03 [7200194-02]**

Ref.	Part No.	Qty	Part Description	Notes
1	6004569	1	HAND BRAKE BRACKET	
2	5055024	4	SCREW	
3	5205011	2	NUT	
4	6200799	1	PRIMARY HAND BRAKE CABLE	
5	5105003	1	SCREW	
6	4150218	2	COLLAR	
7	5205001	1	NUT	
8	4151067	1	HAND BRAKE LEVER	
9	3450289	1	PARKING BRAKE SENSOR	
10	5005003	1	SCREW	
11	5105094	3	SCREW	
12	6200822	1	BRAKE PIPE	
13	6200823	1	BRAKE PIPE	
14	6112394	1	HAND BRAKE COVER	
15	5005002	1	SCREW	
16	4150850	2	CLIP	
17	4150595	3	CLIP	
18	4000511	1	BRAKE COUPLING 6 WAYS	
19	2101145	1	GROMMET	

**BRAKES, REAR BRAKES**

Applies to 7457001-03 [7200194-02]



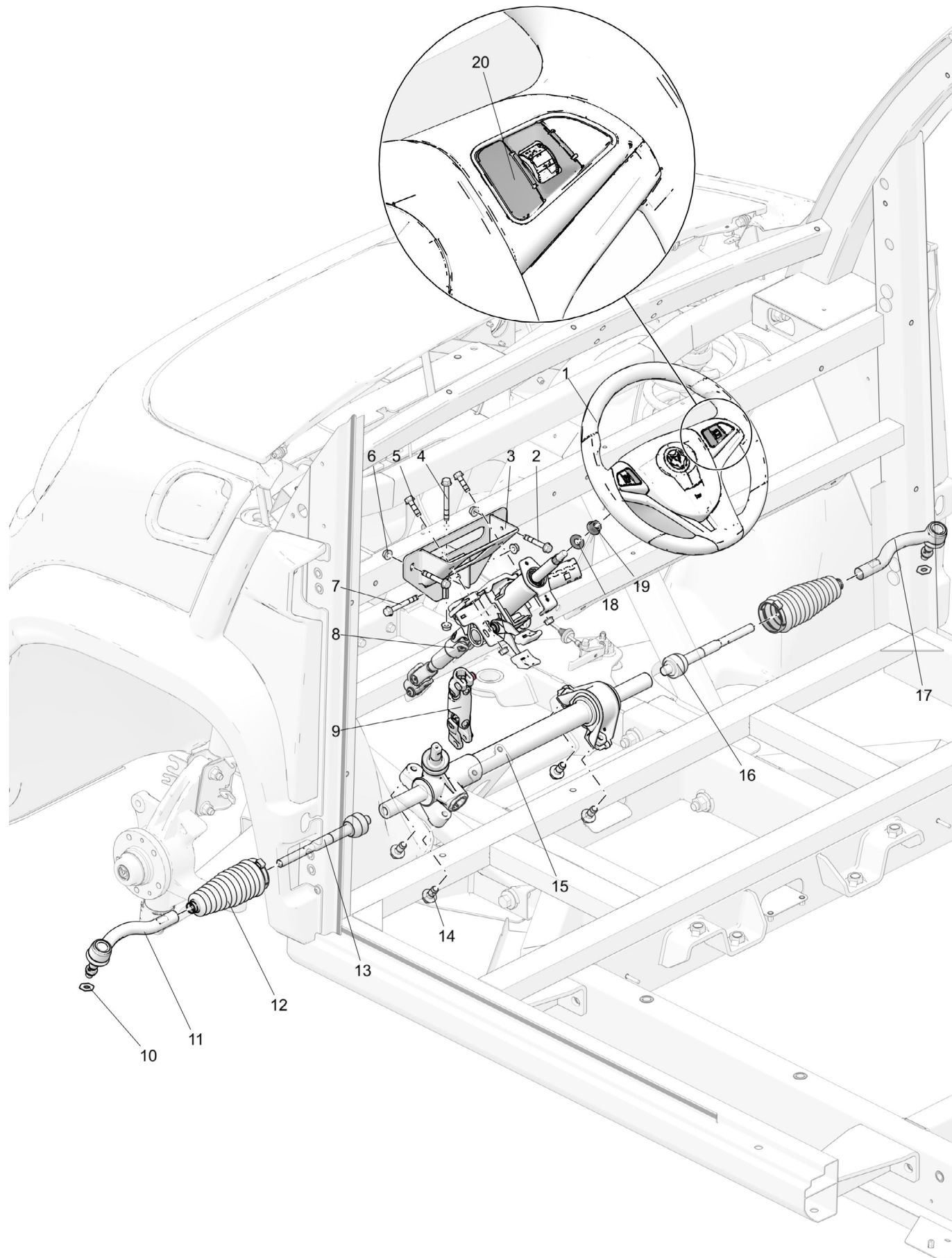
**BRAKES, REAR BRAKES**

Applies to 7457001-03 [7200194-02]

Ref.	Part No.	Qty	Part Description	Notes
1	4151071	1	REAR RH CALIPER BRACKET	
2	4000552	1	REAR - RH - CALIPER	
3	5205009	2	NUT	
4	6004570	1	SPRING HOLDER	
5	5055072	2	SCREW	
6	5100159	2	BOLT	
7	7140766	1	COMPENSATOR SPRING KIT	
8	5450026	1	ROLL PIN	
9	5055081	1	SCREW	
10	7140767	1	BRAKE LOAD COMPENSATOR KIT	
11	6110539	2	COMPENSATOR SPRING STOP	
12	6400053	1	LH - REAR BRAKE HOSE	
13	4000440	2	HOLLOW SCREW	
14	4000551	1	REAR - LH - CALIPER	
15	7140764	2	BRAKE CALIPER GUIDE SLEEVE KIT	INCLUDES 2 GUIDE SLEEVES, 2 RUBBER BOOTS, 1 GREASE POUCH
16	2101143	4	BRAKE CALIPER GUIDE SLEEVE BOOT	
17	4151070	1	REAR LH CALIPER BRACKET	
18	7140765	1	REAR BRAKE DISCS	
19	5105105	6	SCREW	
20	4151144	1	REAR BRAKE PADS SET	
21	105413212	4	SEAL	
22	6200800	2	SECONDARY HAND BRAKE CABLE	
23	6200825	1	BRAKE PIPE	
24	4000512	1	BRAKE CONNECTION	
25	6200824	1	BRAKE PIPE	
26	4150595	3	CLIP	
27	6110713	1	BULKHEAD FITTING	
28	5055013	3	SCREW	
29	6004681	1	DISTRIBUTION PROTECTION SHEET	
30	107670102	7	CLIP	
31	6400054	1	RH - REAR BRAKE HOSE	
32	5105003	2	SCREW	
33	4150218	2	COLLAR	
34	5055155	4	SCREW	
35	5105004	1	SCREW	
36	4150879	1	BLACK P COLLAR Ø12.5 PA-66	
37	5205001	1	NUT	
38	6200799	1	PRIMARY HAND BRAKE CABLE	

STEERING

Applies to 7457001-03 [7200195-02]



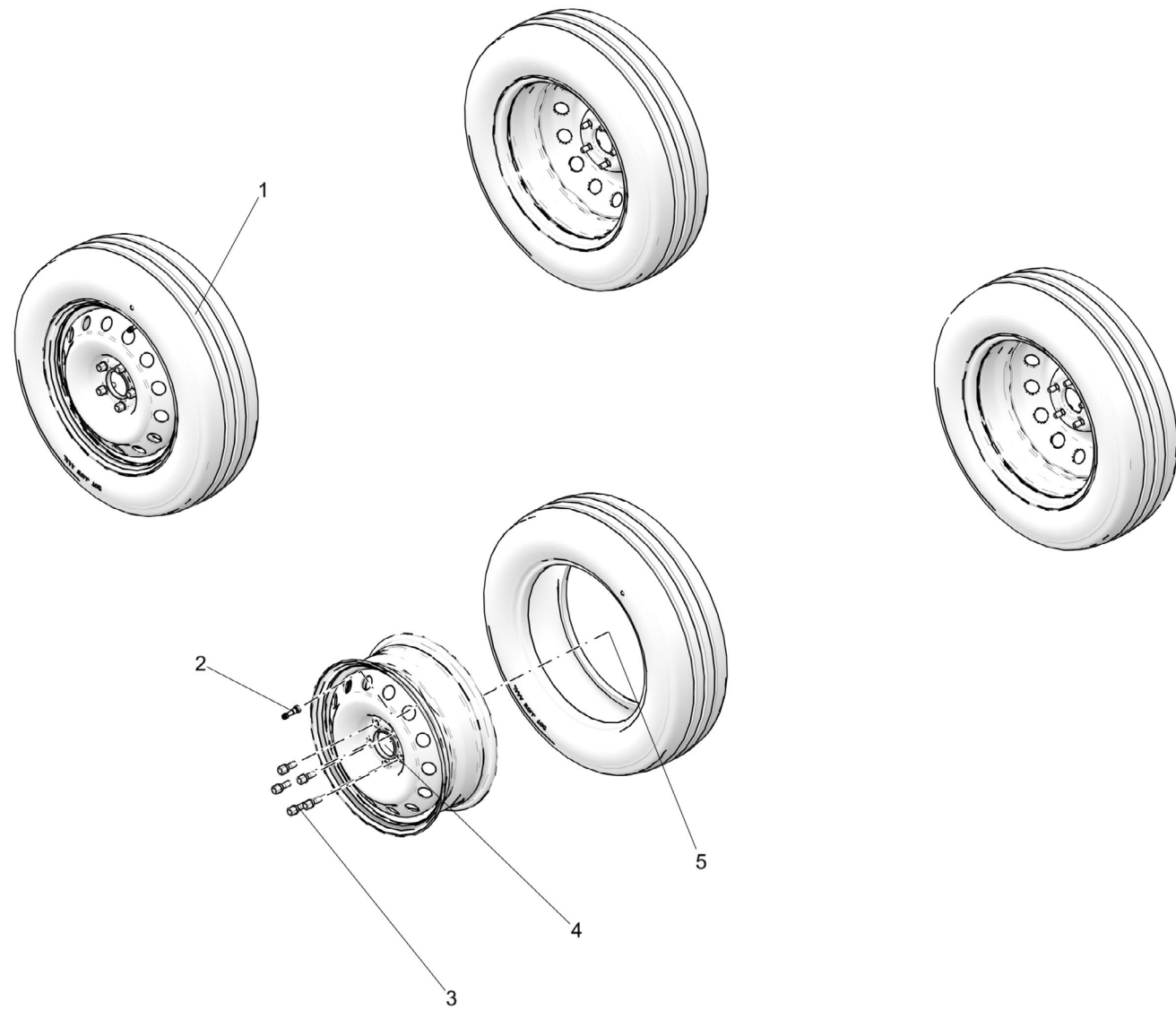
STEERING

Applies to 7457001-03 [7200195-02]

Ref.	Part No.	Qty	Part Description	Notes
1	4200518	1	STEERING WHEEL	
2	5055119	2	SCREW	
3	6004517	1	STEERING COLUMN BRACKET	
4	5055171	1	SCREW	
5	5055084	2	SCREW	
6	5205010	6	NUT	
7	5055172	1	SCREW	
8	6207750	1	STEERING COLUMN	
9	6200840	1	DOUBLE GIMBAL	
10	5300061	2	WASHER	
11	2101158	1	LEFT TIE ROD END	
12	2101162	2	STEERING RACK BOOT	
13	2101160	1	INNER BALL JOINT	
14	5055173	4	SCREW	
15	6200834	1	STEERING RACK	COMPLETE
16	2101160	1	INNER BALL JOINT	
17	2101159	1	RIGHT TIE ROD END	
18	5300003	1	WASHER	
19	5205027	1	NUT	
20	2101163	1	STEERING WHEEL CONTROLS	INCLUDES LEFT AND RIGHT

WHEELS

Applies to 7457001-03 [7200196-02]



WHEELS

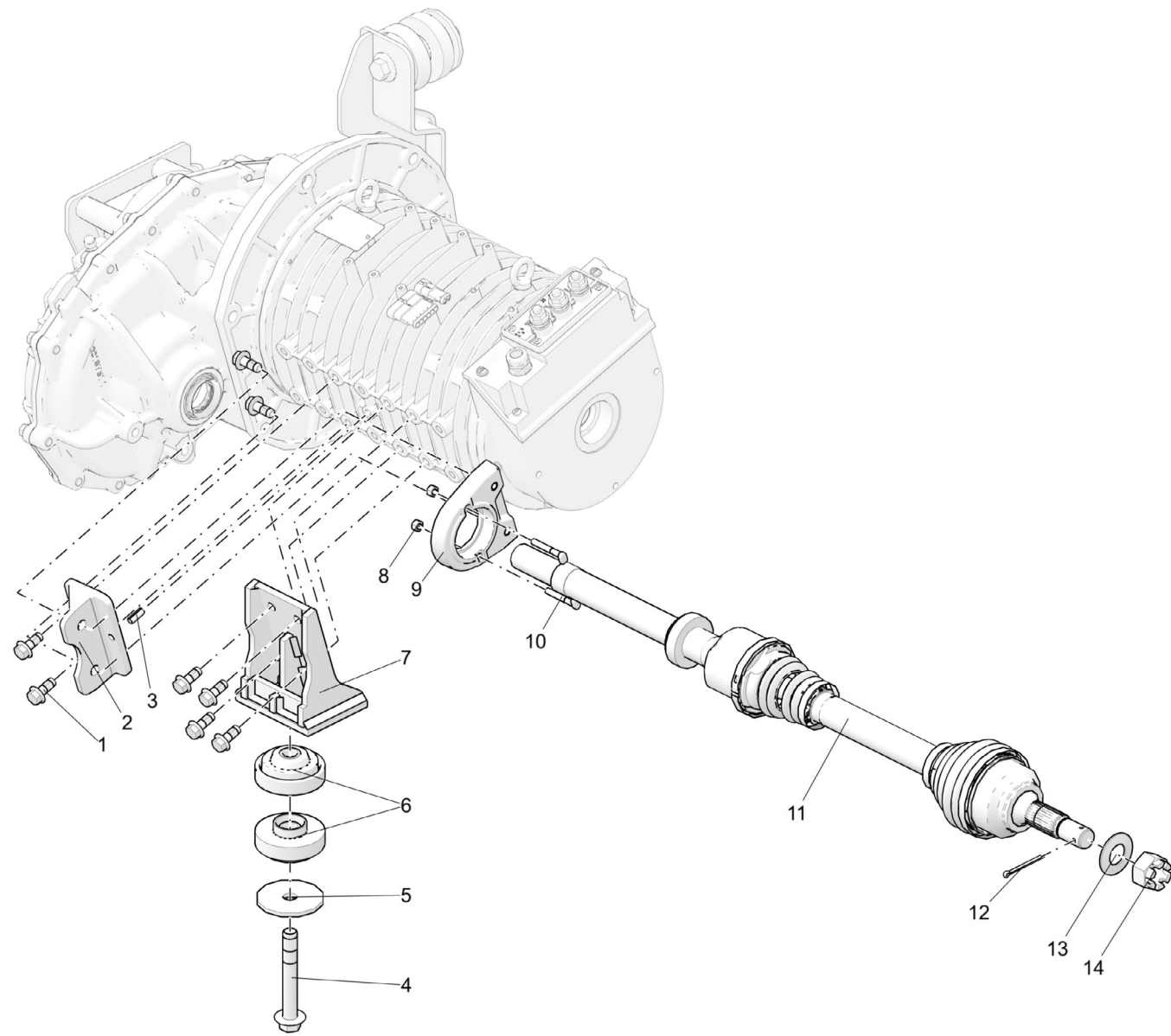
Applies to 7457001-03 [7200196-02]

Ref.	Part No.	Qty	Part Description	Notes
1	4100061	4	WHEEL	
2	2101032	1	VALVE	
3	5100183	20	BOLT	
4	2050168	1	RIM	
5	2050169	1	TYRE	
6	4151133	1	TYRE REPAIR KIT	



*DRIVETRAIN, RIGHT SIDE*

**Applies to 7457001-03 [7200197-02]**



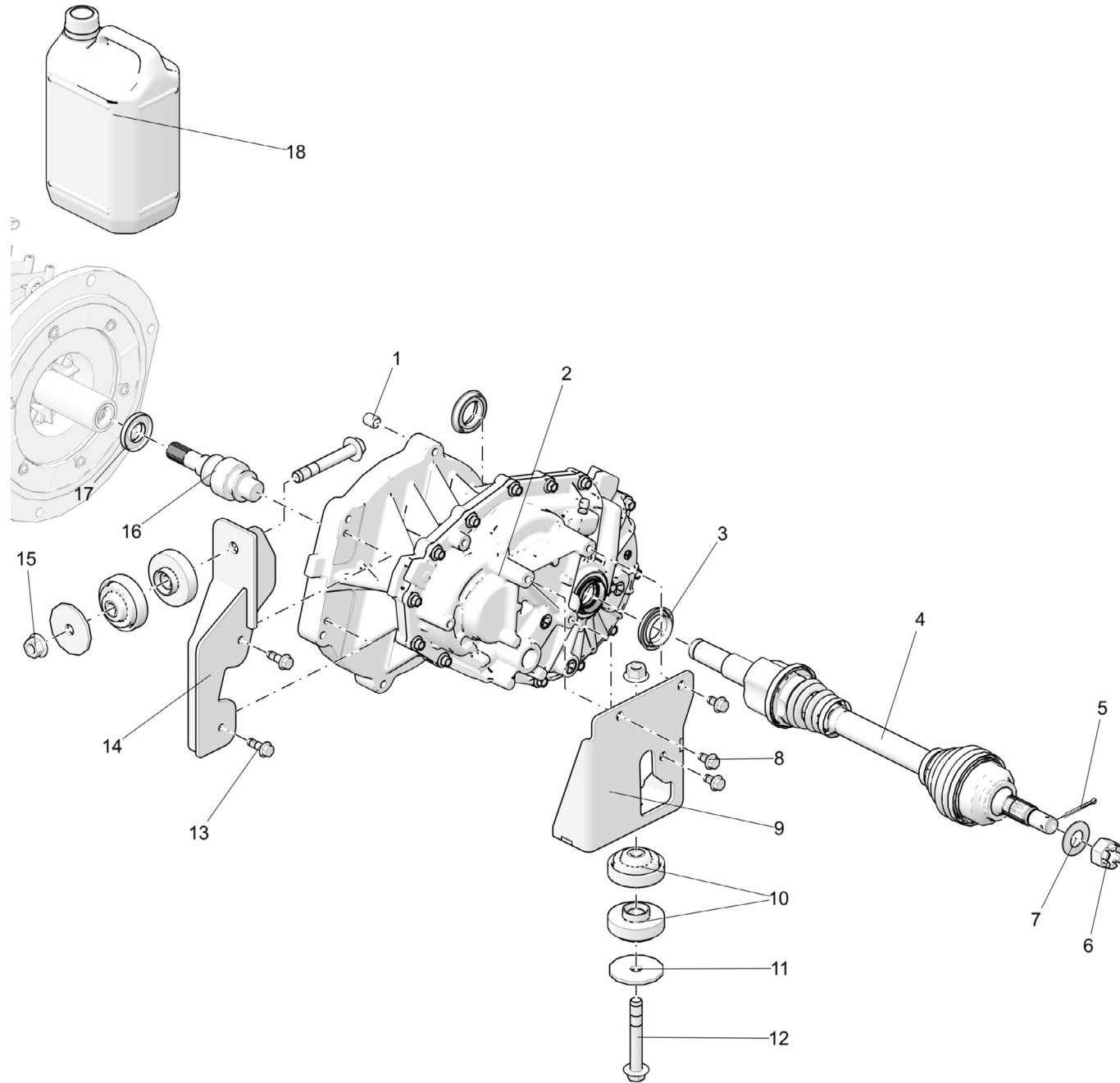
*DRIVETRAIN, RIGHT SIDE*

**Applies to 7457001-03 [7200197-02]**

Ref.	Part No.	Qty	Part Description	Notes
1	5055032	8	SCREW	
2	6200829	1	RH DRIVE SHAFT HOLDER MOTOR SIDE	
3	5450026	1	ROLL PIN	
4	5055143	1	SCREW	
5	5300094	1	WASHER	
6	4151072	2	SILENT BLOCK	
7	6004556	1	BRACKET GEARBOX - RIGHT	
8	5150027	2	NUT	
9	6200803	1	RH DRIVE SHAFT HOLDER	
10	5100181	2	SCREW	
11	7140776	1	RIGHT DRIVE SHAFT KIT	INCLUDES 12, 13, 14
12	2100019	1	SPLIT PIN	
13	5300095	1	WASHER	
14	5250096	1	NUT	

*DRIVETRAIN, LEFT SIDE*

**Applies to 7457001-03 [7200197-02]**



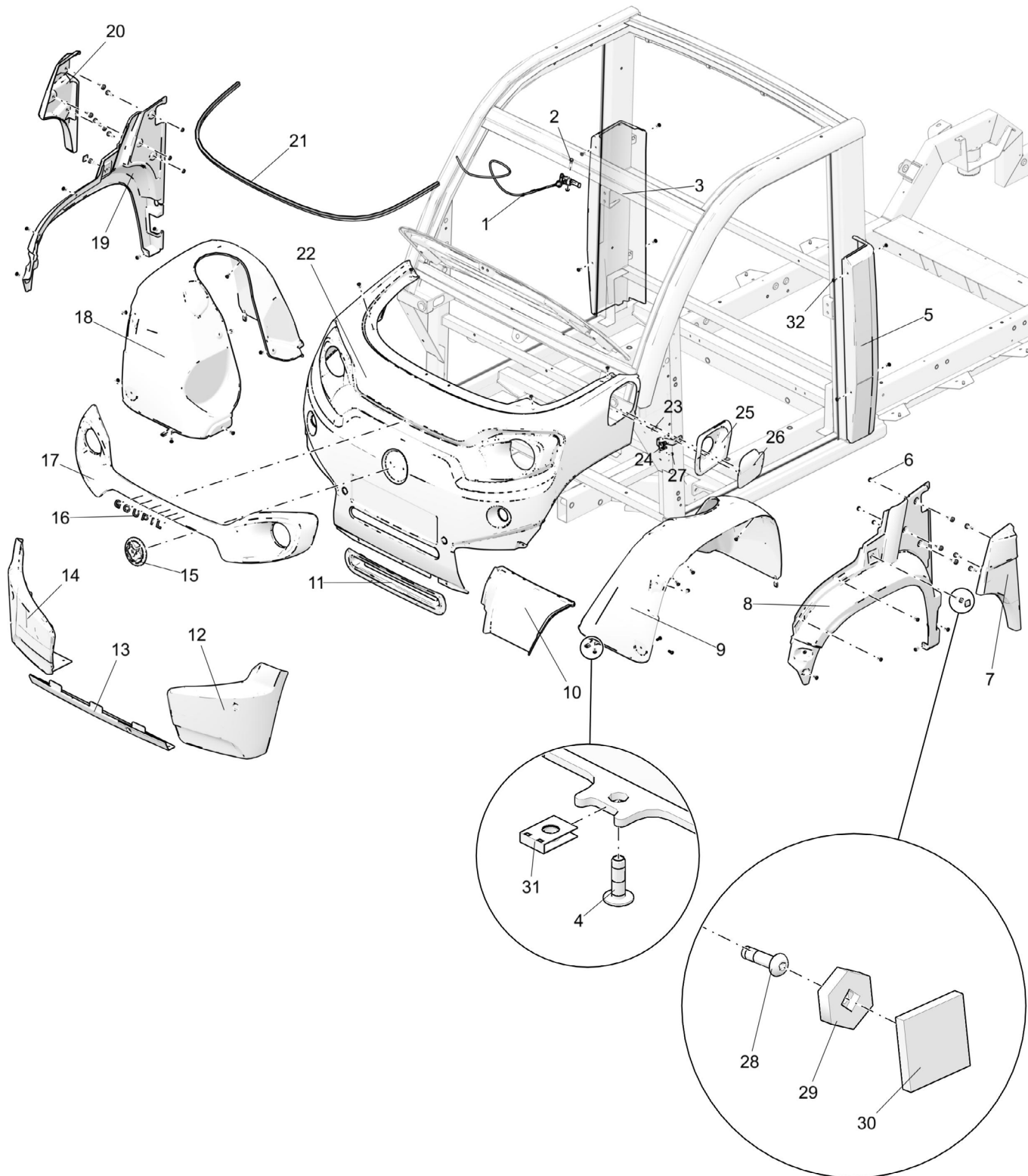
*DRIVETRAIN, LEFT SIDE*

**Applies to 7457001-03 [7200197-02]**

Ref.	Part No.	Qty	Part Description	Notes
1	5450034	1	PIN	
2	4200512	1	GEARBOX	
3	2101267	2	OUTPUT SHAFT SEAL	
4	7140777	1	LEFT DRIVE SHAFT KIT	INCLUDES 4, 5, 6
5	2100019	1	SPLIT PIN	
6	5250096	1	NUT	
7	5300095	1	WASHER	
8	5055144	3	SCREW	
9	6004554	1	BRACKET GEARBOX - LEFT	
10	4151072	4	SILENTBLOC	
11	5300094	2	WASHER	
12	5055143	2	SCREW	
13	5055127	2	SCREW	
14	6004555	1	BRACKET GEARBOX - HIGH	
15	5205007	2	NUT	
16	2101270	1	INPUT SHAFT	
17	2101266	1	INPUT SHAFT SEAL	
18	4000284	1	OIL CAN (2 LITERS)	1.32 L IN GEARBOX



Applies to 7457001-03 [7200199-02]

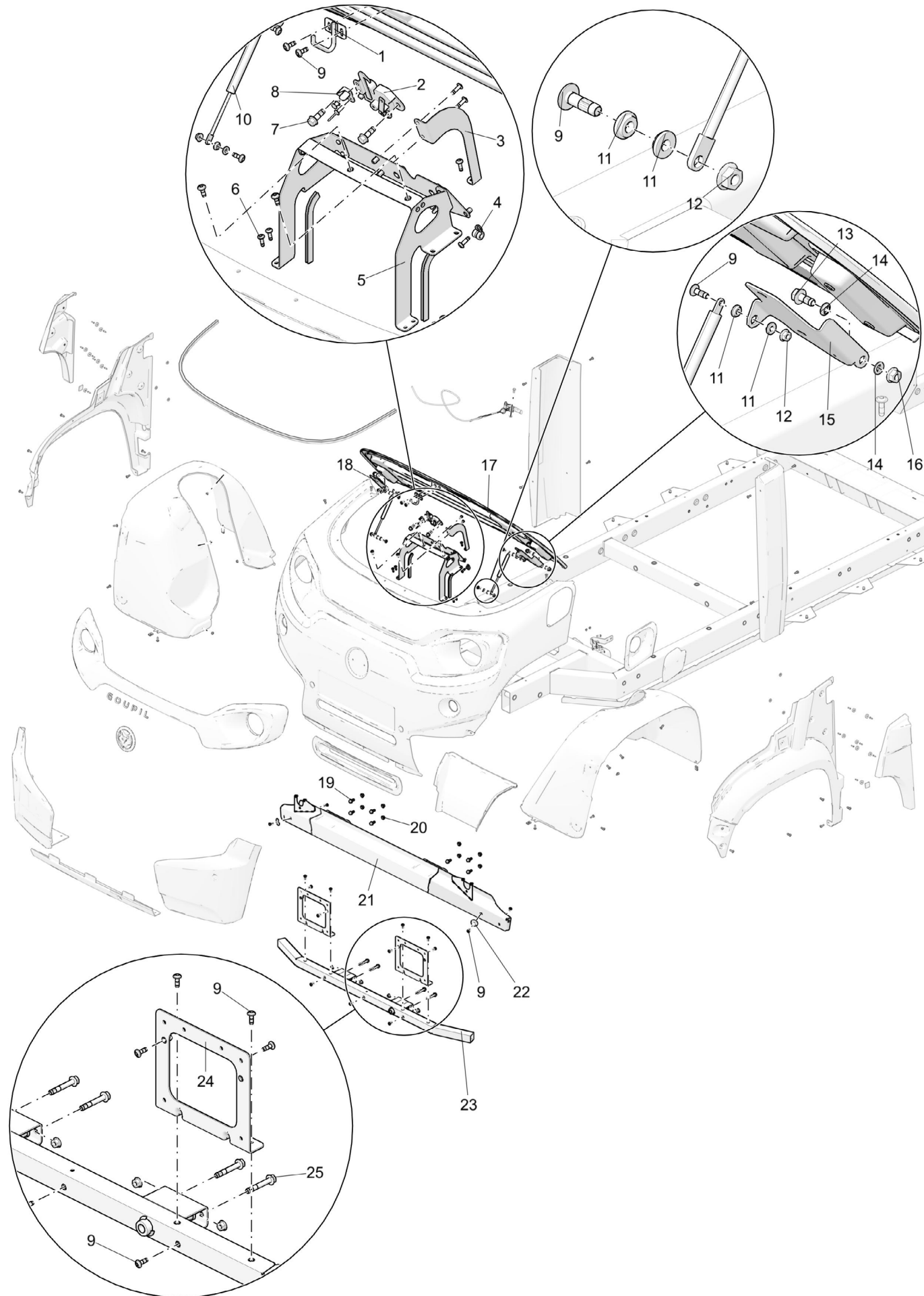


Applies to 7457001-03 [7200199-02]

Ref.	Part No.	Qty	Part Description	Notes
1	6207712	1	HOOD RELEASE HANDLE	
2	5055018	1	SCREW	
3	6207626	1	RIGHT UPRIGHT TRIM	
4	5055117	66	SCREW	
5	6207627	1	LEFT UPRIGHT TRIM	
6	5300091	6	NITRILE WASHER	
7	6207628	1	LEFT HINGE COVER	
8	6207617	1	F-LH MUD GUARD	
9	6207619	1	F-LH WHEEL VALANCE	
10	2101169	1	SPOUT	
11	6207610	1	VENTILATION FRONT FACE	
12	6207654	1	FRONT LEFT BUMPER ASSEMBLY	
13	6207624	1	FRONT FLAP	
14	6207655	1	FRONT RIGHT BUMPER ASSEMBLY	
15	6207526	1	BADGE	
16	6207533	1	LETTERING GOUPIL	
17	6207608	1	GRILL	
18	6207620	1	F-RH WHEEL VALANCE	
19	6207618	1	F-RH MUD GUARD	
20	6207629	1	RIGHT HINGE COVER	
21	7002585	1	HOOD SEAL	
22	7140789	1	FRONT FACE	INCLUDES 10, 11, 15, 16, 17, 25
23	5205001	2	NUT	
24	6207680	1	HINGE HATCH	
25	2101256	1	PLUG EMBELLISHMENT	
26	6207666	1	COVER PANEL FOR CHARGE PLUG ASSY	
27	5105005	10	SCREW	
28	5105088	14	SCREW	
29	4151148	14	DUAL LOCK PAD	
30	7001652	2	DUAL LOCK	
31	5250072	2	NUT	

**BODY, BODYWORK**

**Applies to 7457001-03 [7200199-02]**



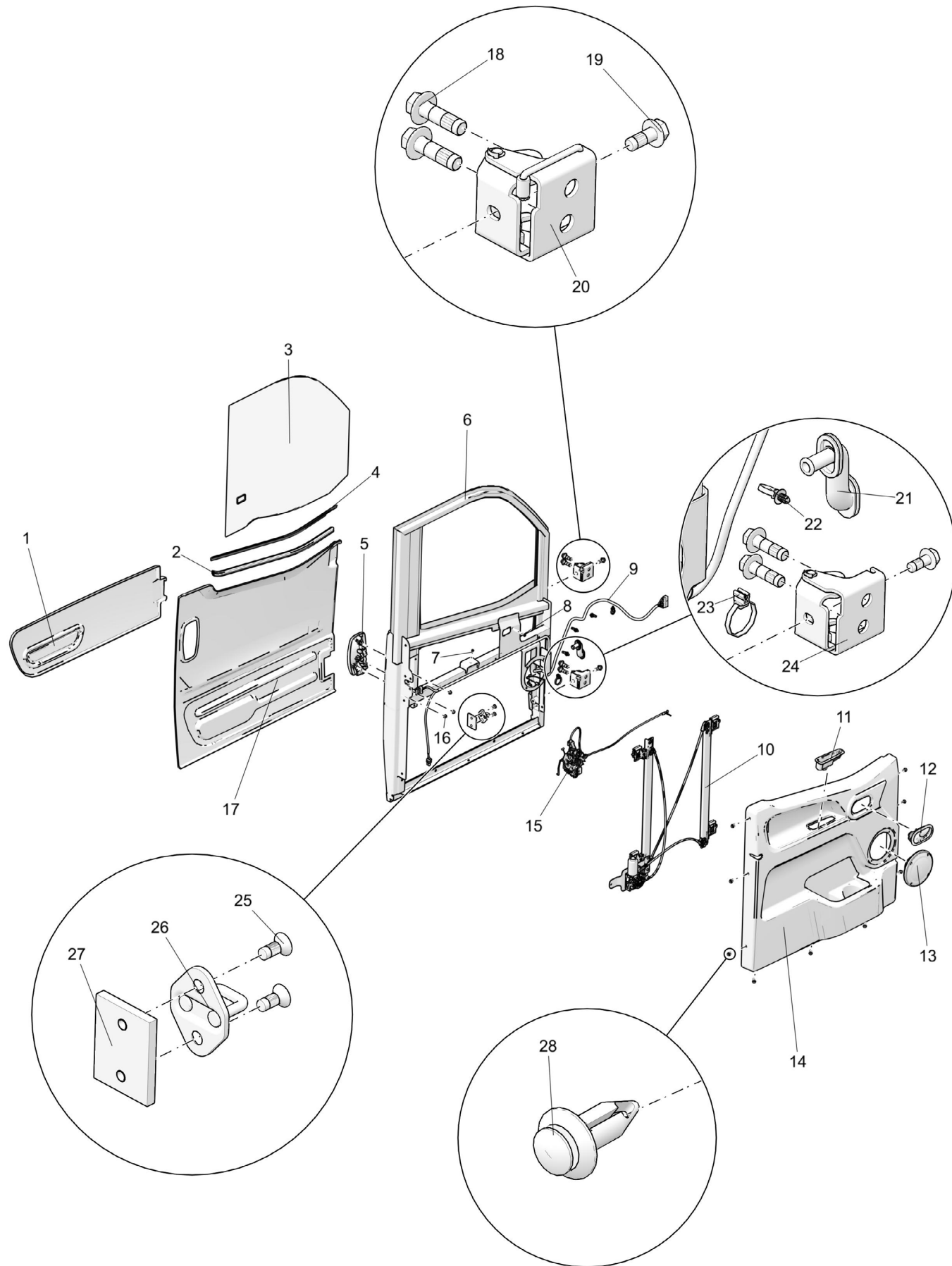
**BODY, BODYWORK**

**Applies to 7457001-03 [7200199-02]**

Ref.	Part No.	Qty	Part Description	Notes
1	6004662	1	HOOD STRIKER	
2	4151147	1	HOOD LATCH	
3	6112724	1	LATCH BRACKET REINFORCEMENT	
4	4150733	1	COLLAR	
5	6004632	1	LATCH BRACKET	
6	5105005	10	SCREW	
7	5055025	2	SCREW	
8	6112733	1	HOOD LATCH LEVER	
9	5055117	66	SCREW	
10	4250261	2	GAS STRUT	
11	4151162	8	BUSHING	
12	5205002	5	NUT	
13	5055130	2	SCREW	
14	4151102	4	BUSHING	
15	6112263	1	LH HINGE	
16	5205024	2	NUT	
17	6207636	1	HOOD ASSY	
18	6112264	1	RH HINGE	
19	5055024	7	SCREW	
20	5205003	12	NUT	
21	6004513	1	CRASH BAR	
22	5300070	2	WASHER	
23	6004557	1	FRONT LOWER BODY HOLDER	
24	6004558	2	FRONT UPPER BODY HOLDER	
25	5055118	4	SCREW	

DOORS, LEFT DOOR

Applies to 7457001-03 [7200200-01]



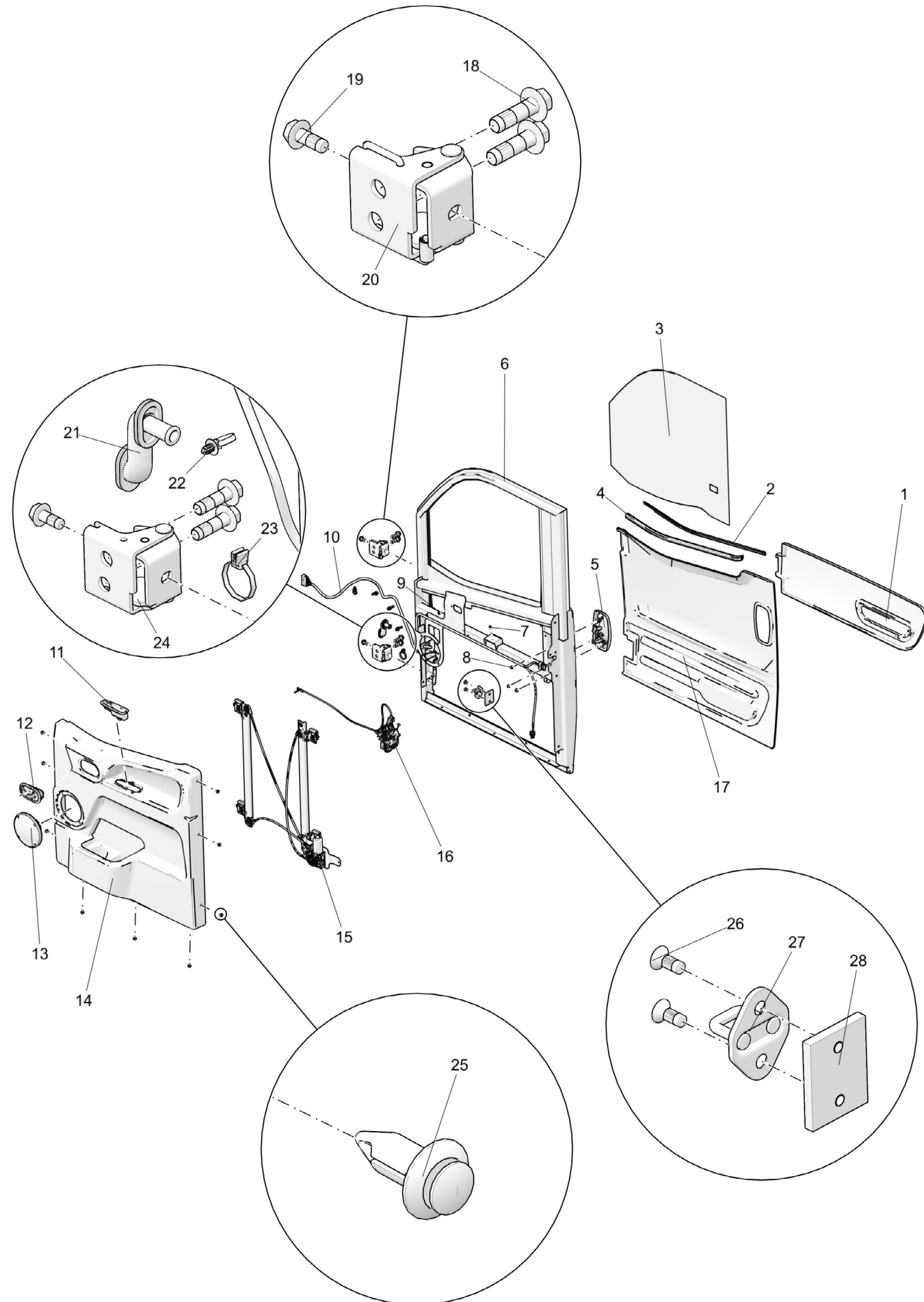
DOORS, LEFT DOOR

Applies to 7457001-03 [7200200-01]

Ref.	Part No.	Qty	Part Description	Notes
1	7140790	1	LEFT DOOR PROTECTION	
2	6207769	1	INTERNAL LEFT WINDOW STRIP	
3	6207562	1	GLASS	
4	6207771	1	EXTERNAL LEFT WINDOW STRIP	
5	4151053	1	DOOR HANDLE	
6	6207701	1	LEFT DOOR	INCLUDES 4, 11, 16
7	5105090	1	SCREW	
8	5105094	1	SCREW	
9	6207561	1	HARNESS	
10	6207564	1	WINDOW LIFTER	
11	4151057	1	PULLING HANDLE	
12	4151055	1	DOOR HANDLE	
13	3450560	1	SPEAKER	
14	6207658	1	LH DOOR INNER PANEL ASSY	
15	4151060	1	DOOR LATCH	
16	5205002	3	NUT	
17	7140792	1	LEFT DOOR PANEL	
18	5050006	4	SCREW	
19	5055032	2	SCREW	
20	6207775	1	UPPER DOOR HINGE	
21	4151117	1	DOOR BELLOWS	
22	3200045	4	COLLAR	
23	3450363	1	CLIP	
24	6207777	1	LOWER DOOR HINGE	
25	5105105	2	SCREW	
26	4151063	1	SPOILS	
27	4151122	1	DOOR LOCKER RING INSTALLING PLATE	
28	7140818	1	10 PLASTIC RIVETS SET	

DOORS, RIGHT DOOR

Applies to 7457001-03 [7200200-01]



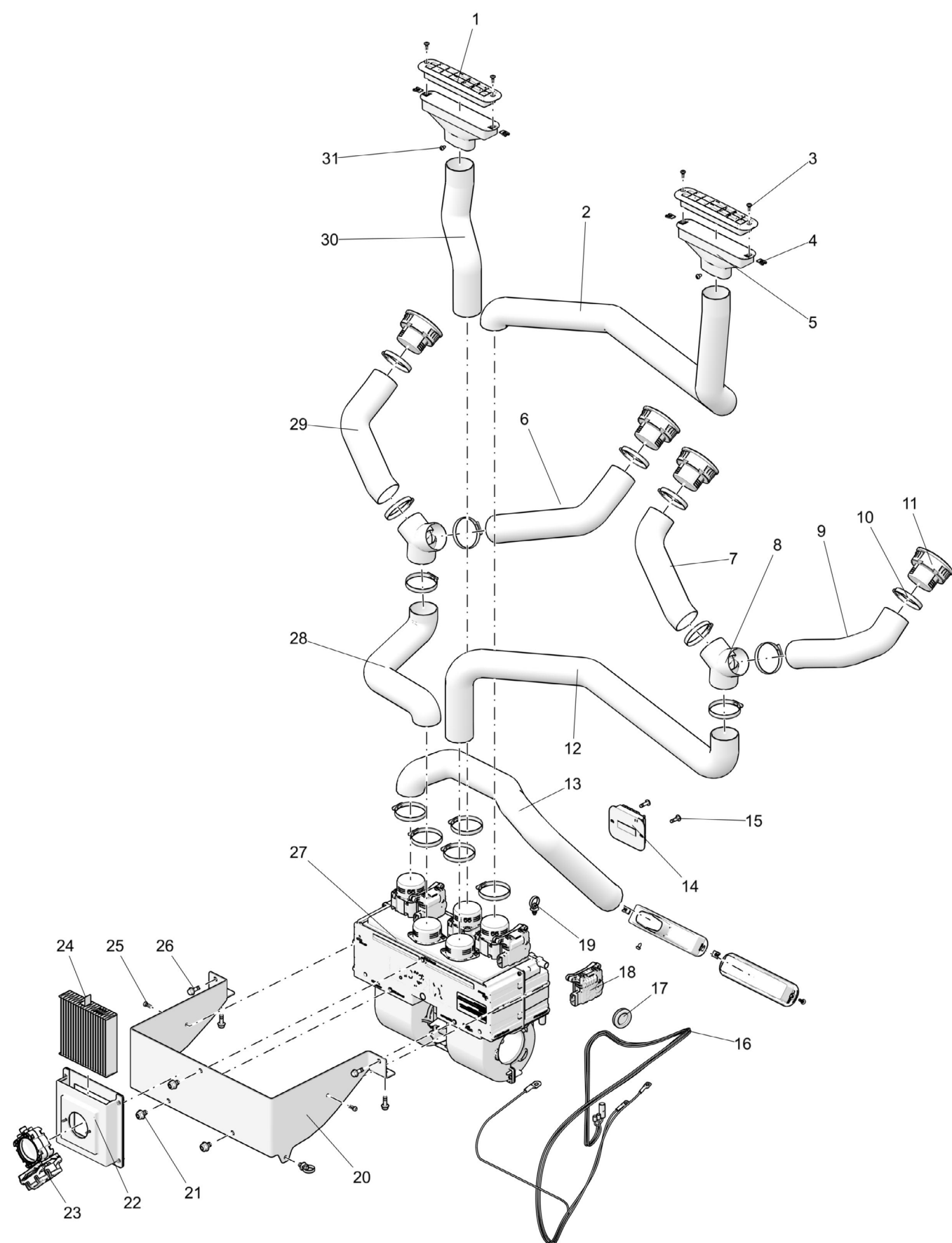
DOORS, RIGHT DOOR

Applies to 7457001-03 [7200200-01]

Ref.	Part No.	Qty	Part Description	Notes
1	7140791	1	RIGHT DOOR PROTECTION	
2	6207772	1	EXTERNAL RIGHT WINDOW STRIP	
3	6207563	1	GLASS	
4	6207770	1	INTERNAL RIGHT WINDOW STRIP	
5	4151054	1	DOOR HANDLE	
6	6207702	1	RIGHT DOOR	INCLUDES 4, 16, 17
7	5105090	1	SCREW	
8	5205002	3	NUT	
9	5105094	1	SCREW	
10	6207561	1	HARNESS	
11	4151057	1	PULLING HANDLE	
12	4151056	1	DOOR HANDLE	
13	3450560	1	SPEAKER	
14	6207659	1	RH DOOR INNER PANEL ASSY	
15	6207565	1	WINDOWS LIFTER	
16	4151061	1	DOOR LATCH	
17	7140793	1	RIGHT DOOR PANEL	
18	5050006	4	SCREW	
19	5055032	2	SCREW	
20	6207796	1	UPPER DOOR HINGE	
21	4151117	1	DOOR BELLOWS	
22	3200045	4	COLLAR	
23	3450363	1	CLIP	
24	6207797	1	LOWER DOOR HINGE	
25	7140818	1	10 PLASTIC RIVETS SET	
26	5105105	2	SCREW	
27	4151063	1	SPOILS	
28	4151122	1	DOOR LOCKER RING INSTALLING PLATE	

**ELECTRIC HEATER**

**Applies to 7457001-03 [7200201-01]**



**ELECTRIC HEATER**

**Applies to 7457001-03 [7200201-01]**

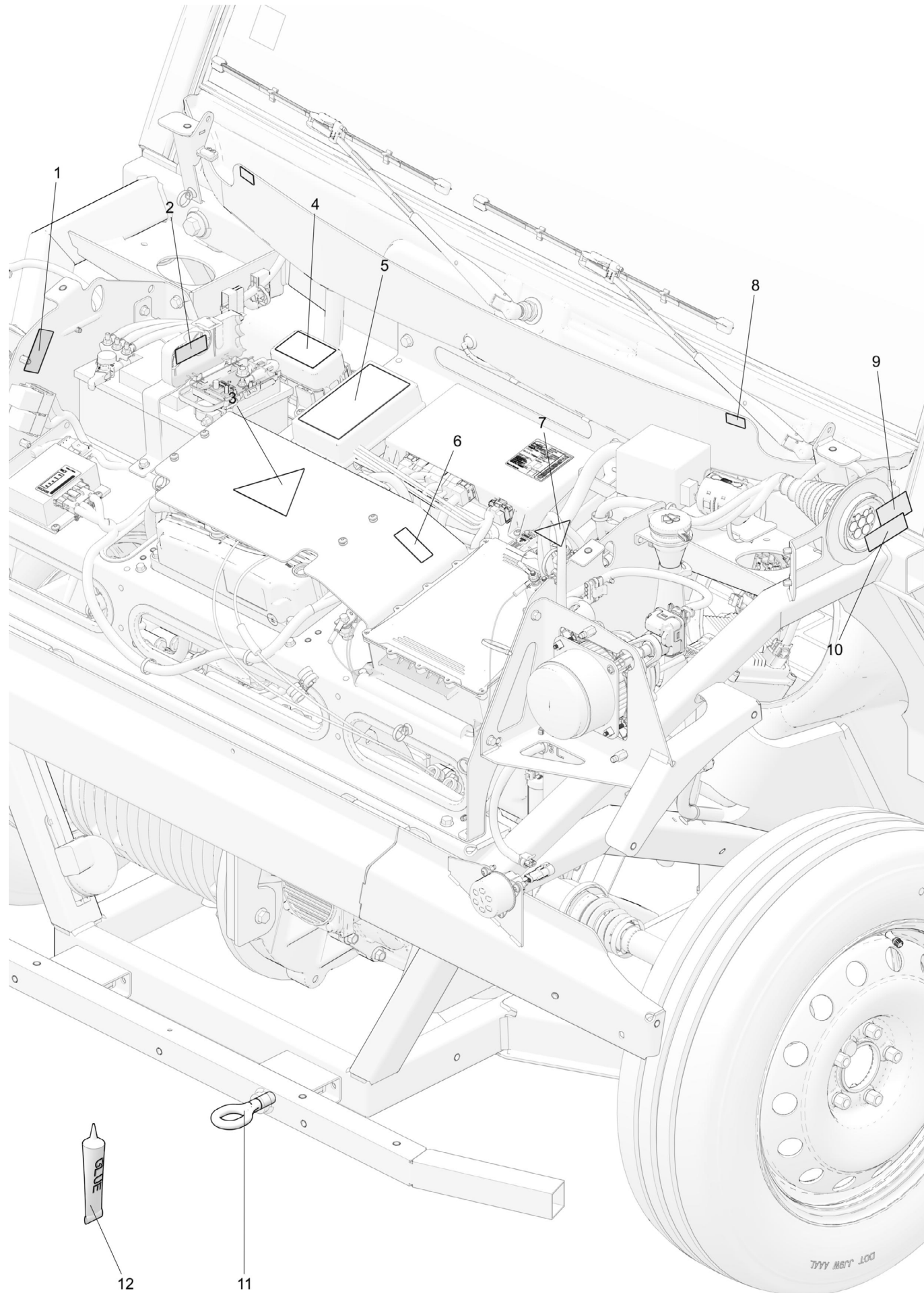
Ref.	Part No.	Qty	Part Description	Notes
1	2101087	3	DEFOGGING GRILL	
2	7002589	1	HEATING DUCT	
3	5100112	6	BOLT	
4	5250002	6	NUT	
5	2101088	3	CARP TAIL	
6	7002595	1	HEATING DUCT	
7	7002587	1	HEATING DUCT	
8	2101170	2	Y SHAPE CONNECTION	
9	7002588	1	HEATING DUCT	
10	4150398	15	COLLAR	
11	2101171	4	CHROME VENTILATION OUTLET	
12	7002590	1	HEATING DUCT	
13	7002591	1	HEATING DUCT	
14	2101172	1	HEATER CONTROL UNIT	
15	5105005	2	SCREW	
16	6200839	1	ELECTRIC HARNESS	
17	4250223	1	GROMMET	
18	2101042	2	EHV/EHVAC ELEC FLAP	
19	3200045	2	COLLAR	
20	6112363	1	EHV BRKT	
21	5055021	3	SCREW	
22	2101173	1	CASSETTE WITH POLLEN FILTER	
23	2101042	1	EHV/EHVAC ELEC FLAP	
24	2101174	1	POLLEN FILTER	
25	2101175	2	SCREW	
26	5055014	4	SCREW	
27	2101045	1	ELECTRICAL HEATER	
28	7002593	1	HEATING DUCT	
29	7002594	1	HEATING DUCT	
30	7002592	1	HEATING DUCT	
31	5100157	3	BOLT	

Note : If the vehicle is equipped with the air conditioning option, do not use this spare parts list. Refer to the corresponding spare parts view.

Note : Si le véhicule est équipé de l'option climatisation, ne pas utiliser les pièces détachées de cette vue. Se référer à la vue éclatée correspondante.

STICKER, MISC

Applies to 7457001-03 [7200198-03]



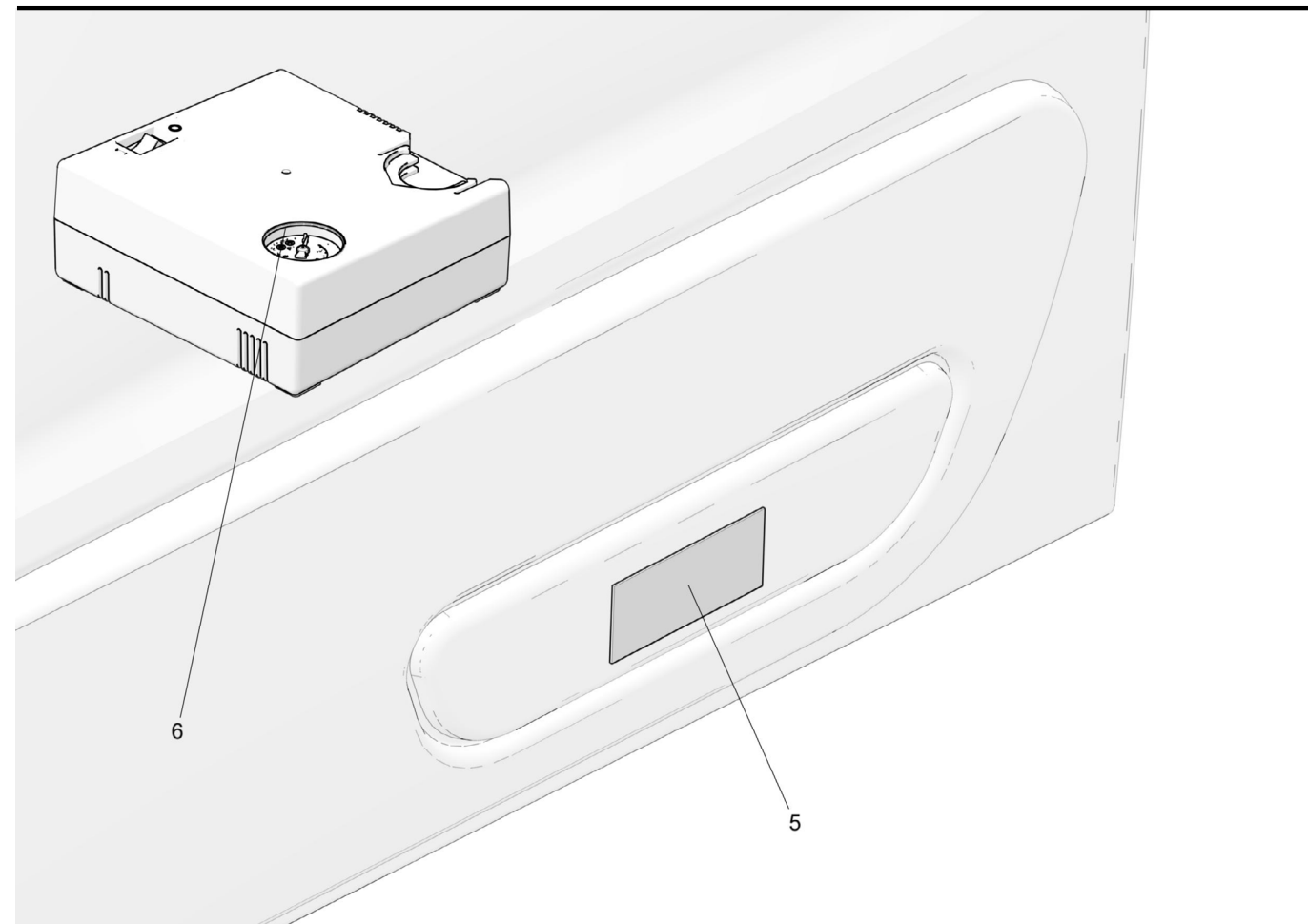
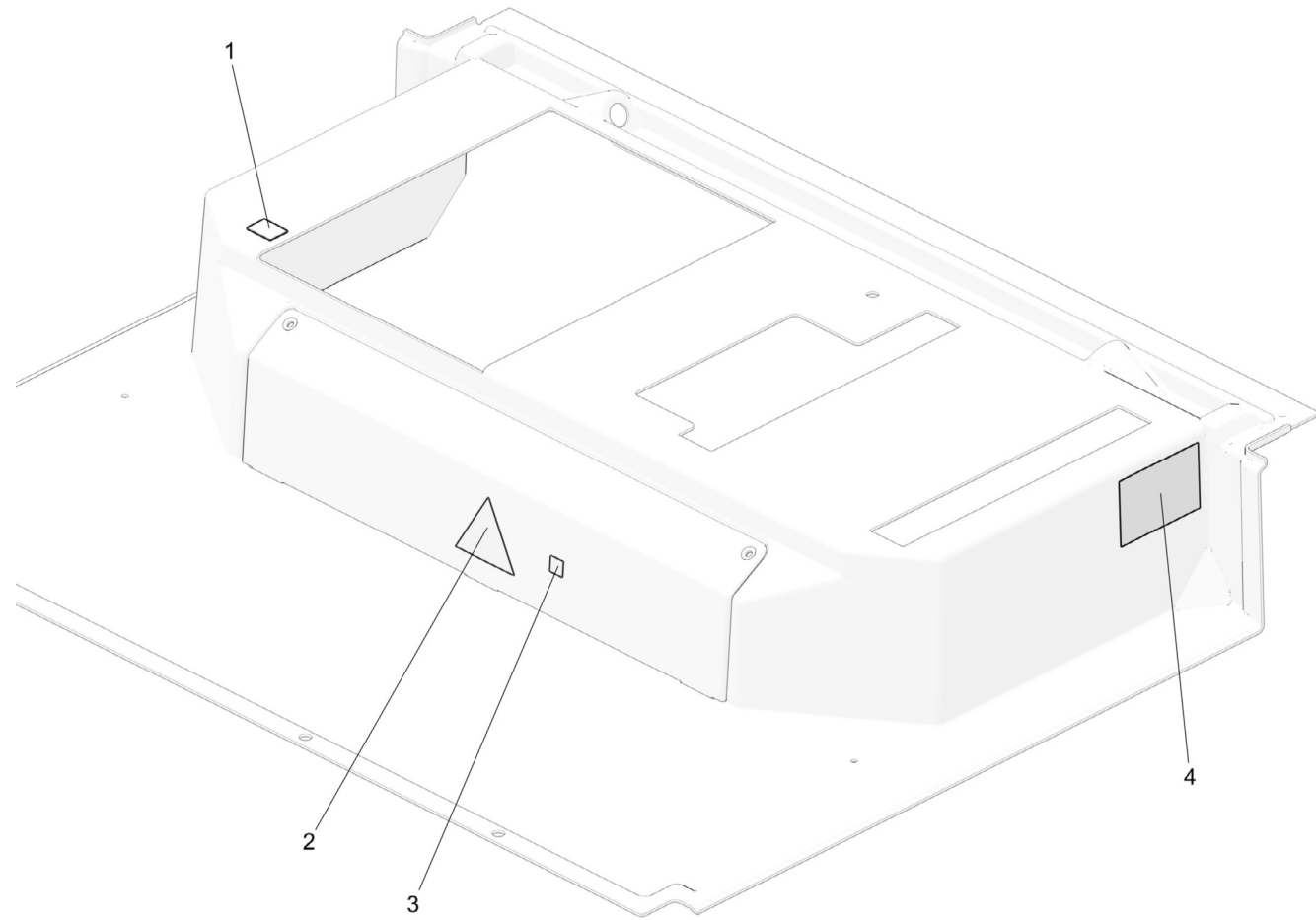
STICKER, MISC

Applies to 7457001-03 [7200198-03]

Ref.	Part No.	Qty	Part Description	Notes
1	6500710	1	RELAY/WARNING/BLINKERS STICKER	
2	6500706	1	FUSE/12V BATTERY STICKER	
3	6500390	1	BATTERY DECAL	
4	6500708	1	FUSE BOX STICKER	
5	6500726	1	STICKER	
6	6500707	1	POWER FUSE STICKER	
7	6500723	1	FLASH STICKER	
8	6500601	2	STICKER	
9	6500491	1	CHARGE PLUG STICKER	
10	6500594	1	STICKER	
11	4151096	1	TOWING RING	
12	8540186	1	DEGREASER	USE FOR STICKERS ONLY

STICKER, MISC

Applies to 7457001-03 [7200198-03]



STICKER, MISC

Applies to 7457001-03 [7200198-03]

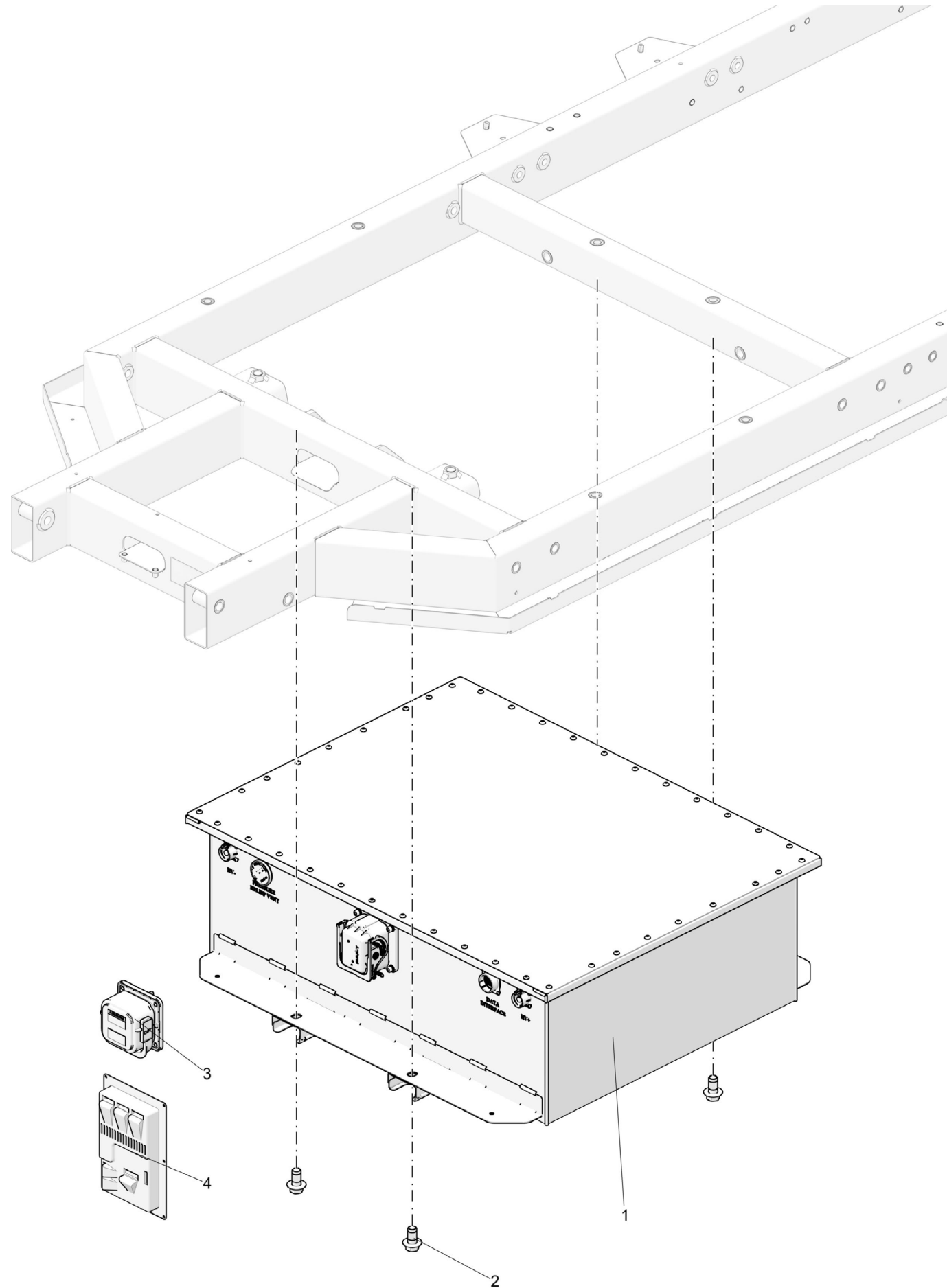
Ref.	Part No.	Qty	Part Description	Notes
1	6500590	1	CE STICKER	
2	6500390	1	BATTERY WARNING STICKER	
3	6500705	1	LITHIUM BATTERY STICKER	
4	6500600	1	CAB STICKER	
5	6500612	2	DOOR STICKER	
6	4151133	1	TYRE REPAIR KIT	

*OPTIONS*



*OPTION, LITHIUM 15 KW BATTERY*

**Applies to 7457001-03 [7307001]**



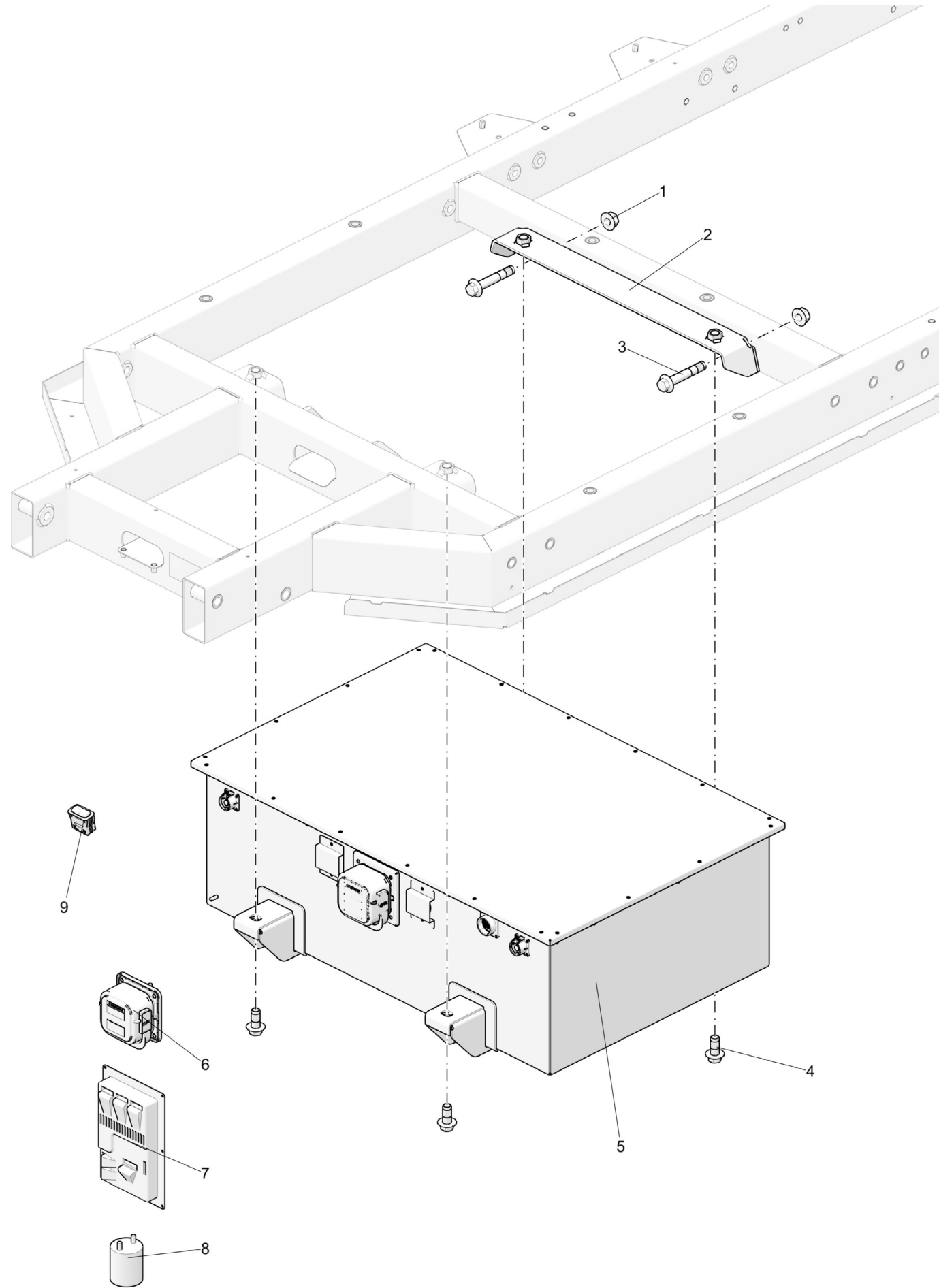
*OPTION, LITHIUM 15 KW BATTERY*

**Applies to 7457001-03 [7307001]**

Ref.	Part No.	Qty	Part Description	Notes
1	6207721	1	LITHIUM BATTERY 100.8V 15KW/H	
2	5055051	4	SCREW	
3	2101338	1	MSD (MANUAL SERVICE DISCONNECT)	
4	2101339	1	15 KW BMS MASTER CARD	

*OPTION, LITHIUM 28.8 KW BATTERY*

**Applies to 7457001-03 [7307003-02]**



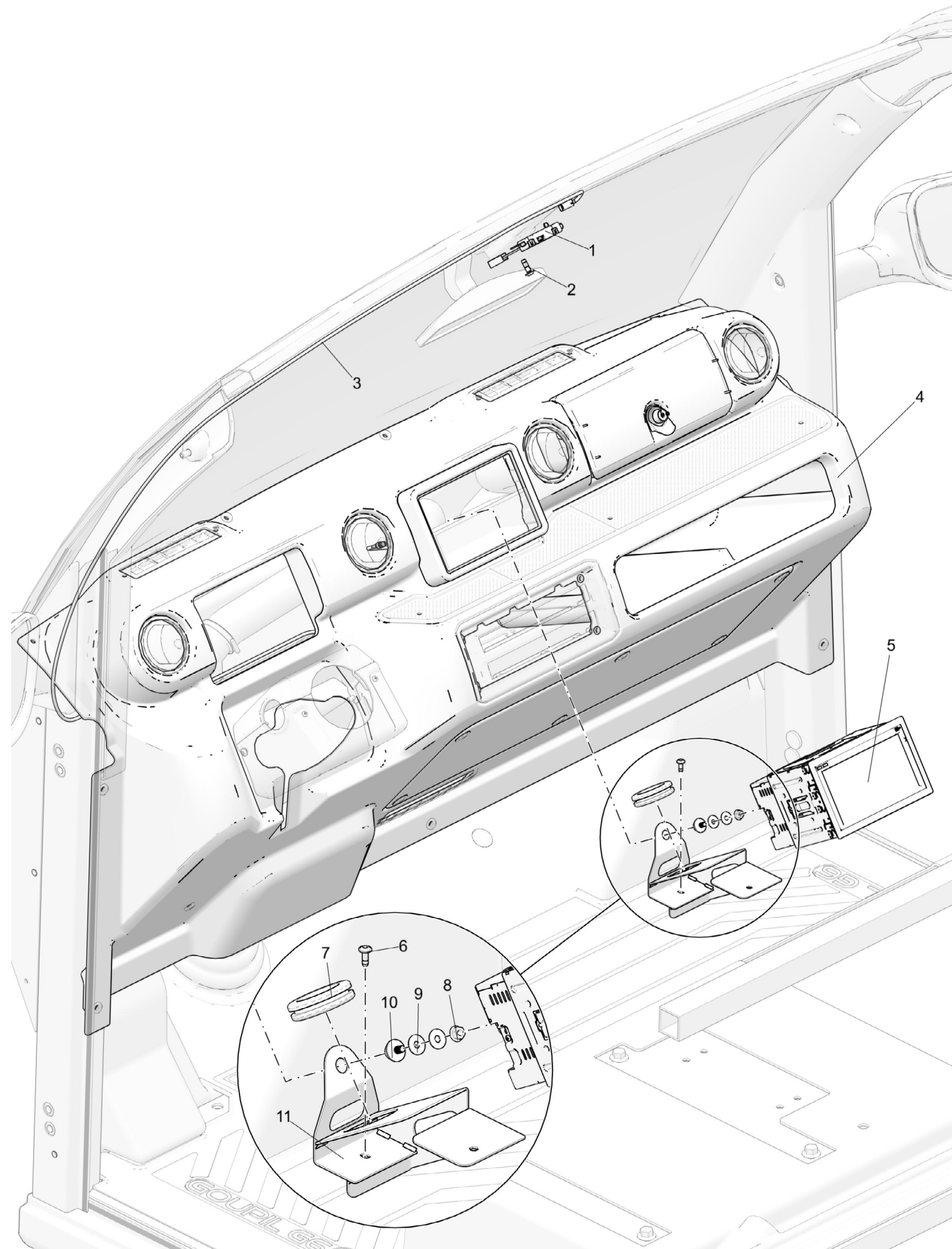
*OPTION, LITHIUM 28.8 KW BATTERY*

**Applies to 7457001-03 [7307003-02]**

Ref.	Part No.	Qty	Part Description	Notes
1	5205007	2	NUT	
2	6004595	1	BATTERY BRACKET	
3	5055160	2	SCREW	
4	5055161	4	SCREW	
5	6207605	1	LITHIUM BATTERY 96V 28.8KW/H	
6	2101277	1	MSD (MANUAL SERVICE DISCONNECT)	
7	2101291	1	28.8 KW BMS MASTER CARD	
8	2101292	1	BATTERY RELAYS KIT	
9	3450465	1	WINTERING SWITCH	

OPTION, DOUBLE DIN

Applies to 7457001-03 [7307005-03]



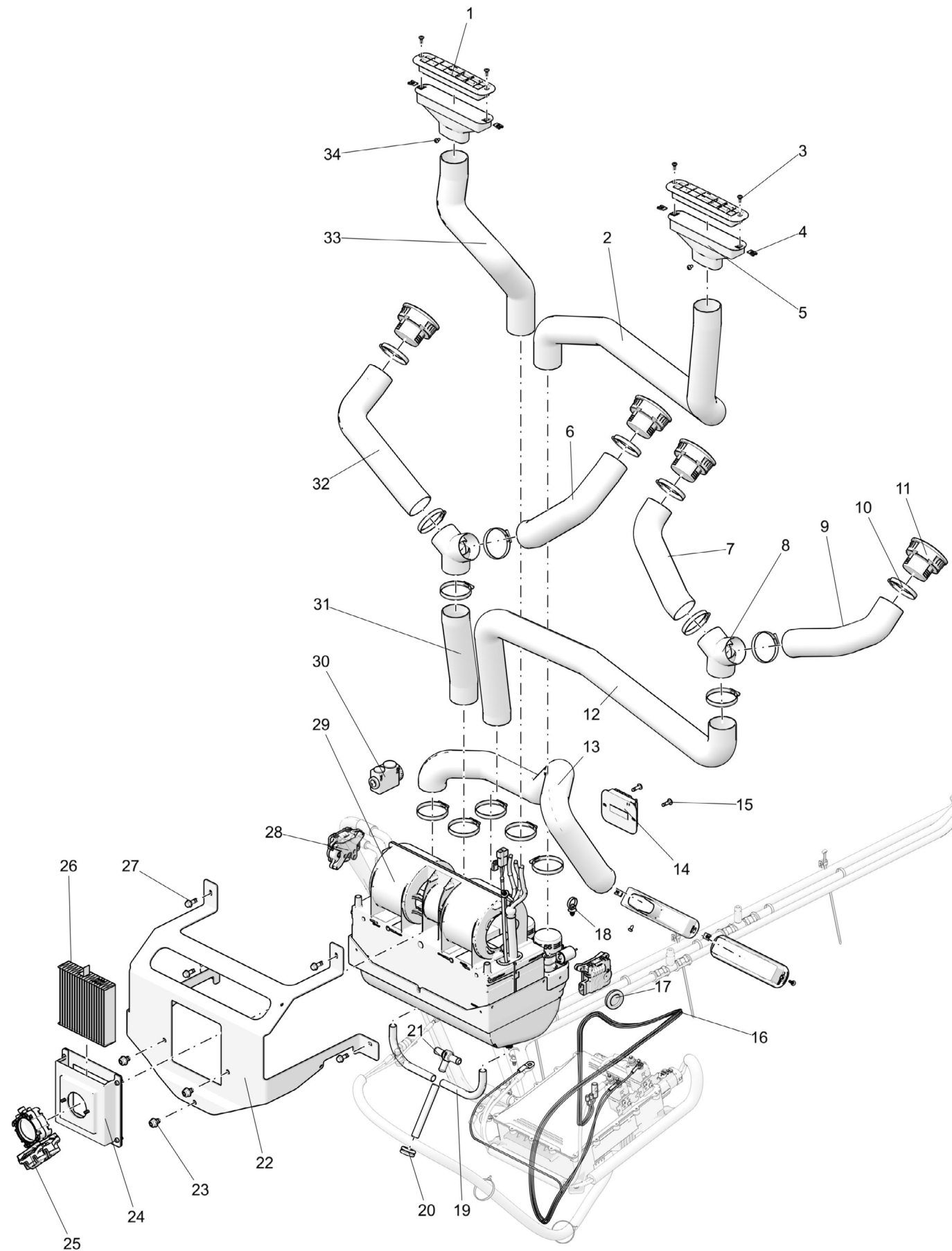
OPTION, DOUBLE DIN

Applies to 7457001-03 [7307005-03]

Ref.	Part No.	Qty	Part Description	Notes
1	3450577	1	ANTENNA AMPLIFIER	
2	5105013	1	SCREW	
3	3450578	1	HF CABLE	
4	6207637	1	DASHBOARD	
5	3450661	1	CAR RADIO	
6	5105079	1	SCREW	
7	4250177	1	GROMMET	
8	5205002	1	NUT	
9	5300019	2	WASHER	
10	4151127	1	CONICAL BUFFER	
11	6004586	1	RADIO BRACKET	

OPTION, AIR-CONDITIONING UNIT

Applies to 7457001-03 [7307006-02]



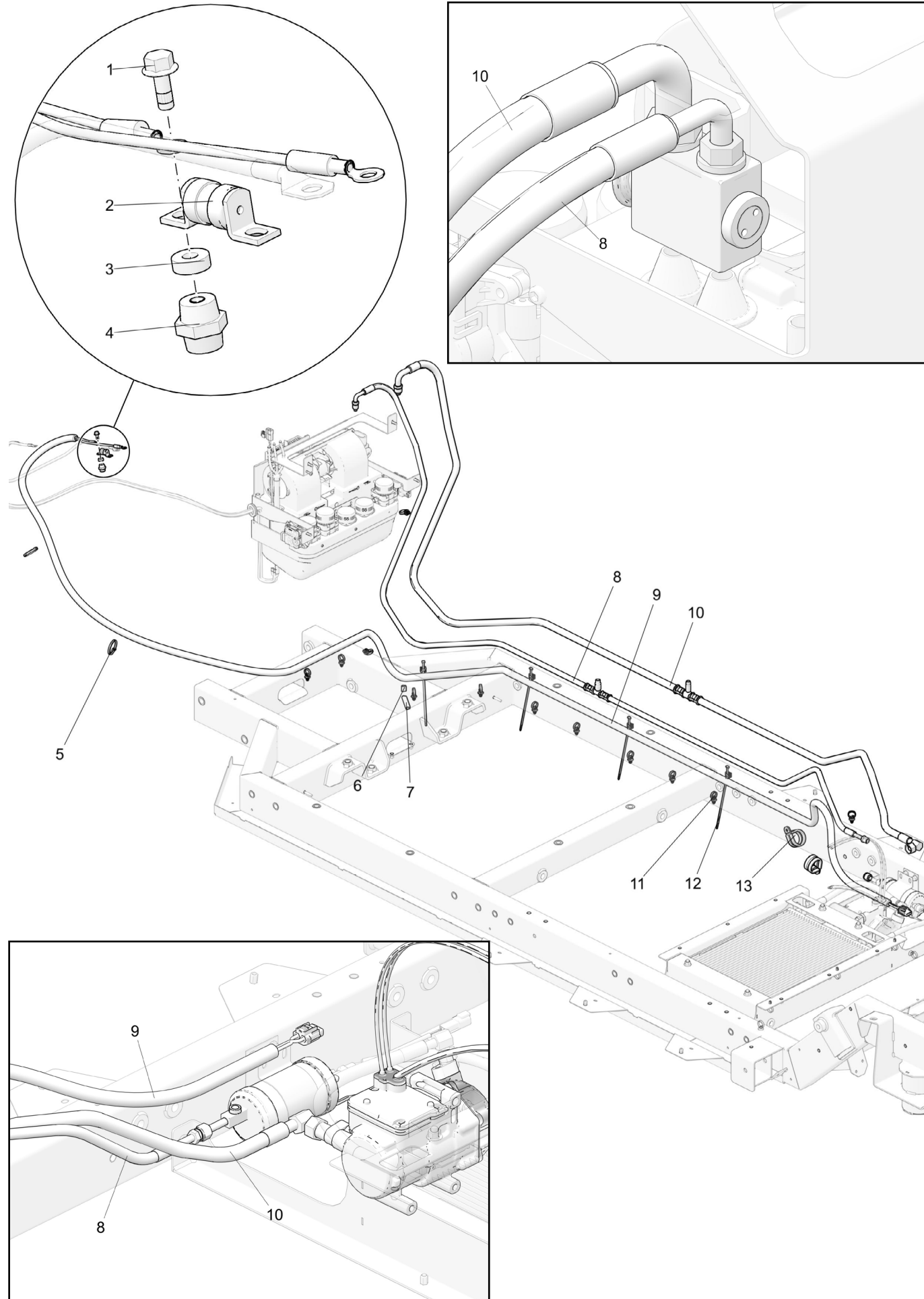
OPTION, AIR-CONDITIONING UNIT

Applies to 7457001-03 [7307006-02]

Ref.	Part No.	Qty	Part Description	Notes
1	2101087	3	DEFOGGING GRILL	
2	7002589	1	HEATING DUCT	
3	5100112	6	BOLT	
4	5250002	6	NUT	
5	2101088	3	CARP TAIL	
6	7002598	1	HEATING DUCT	
7	7002587	1	HEATING DUCT	
8	2101170	2	Y SHAPE CONNECTION	
9	7002588	1	HEATING DUCT	
10	4150398	15	COLLAR	
11	2101171	4	CHROME VENTILATION OUTLET	
12	7002590	1	HEATING DUCT	
13	7002591	1	HEATING DUCT	
14	2101172	1	HEATER CONTROL UNIT	
15	5105005	2	SCREW	
16	6200839	1	ELECTRIC HARNESS	
17	4250223	1	GROMMET	
18	3200045	3	COLLAR	
19	2101068	1	CONDENSATE HOSE	
20	4250008	1	CABLE GLAND	
21	2101055	1	TE CONNECTION	
22	6112347	1	HVAC BRKT	
23	5055021	4	SCREW	
24	2101173	1	CASSETTE WITH POLLEN FILTER	
25	2101042	1	EHV/EHVAC ELEC FLAP	
26	2101174	1	POLLEN FILTER	
27	5055014	5	SCREW	
28	2101042	1	EHV/EHVAC ELEC FLAP	
29	2101044	1	HEATING / COOLING VENT	
30	7140614	1	REGULATOR KIT	
31	7002596	1	HEATING DUCT	
32	7002593	1	HEATING DUCT	
33	7002597	1	HEATING DUCT	
34	5100157	3	BOLT	

OPTION, AIR-CONDITIONING UNIT

Applies to 7457001-03 [7307006-02]



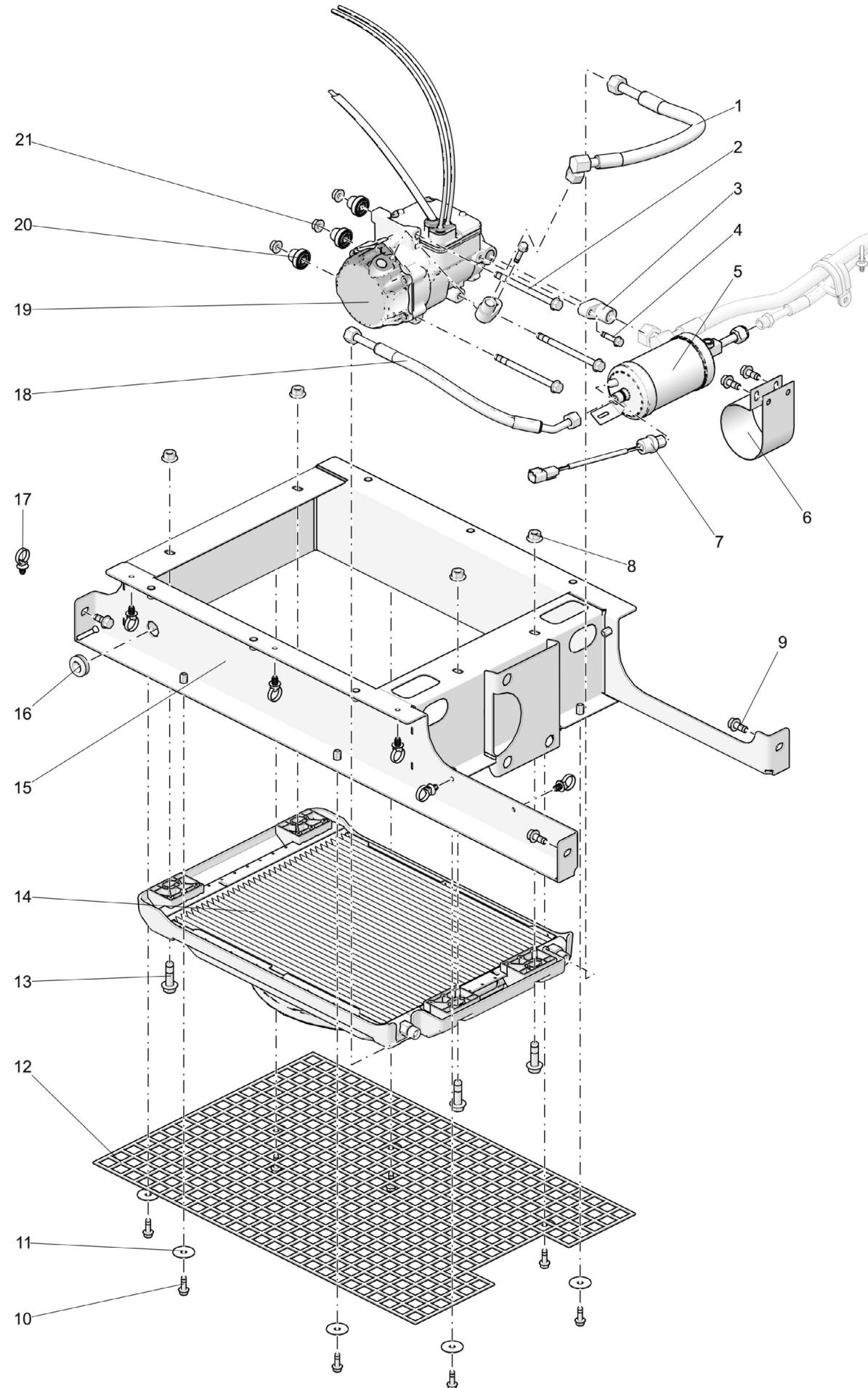
OPTION, AIR-CONDITIONING UNIT

Applies to 7457001-03 [7307006-02]

Ref.	Part No.	Qty	Part Description	Notes
1	5055013	1	SCREW	
2	3450633	1	FUSE 63A	
3	4150740	1	SPACER	
4	3450645	1	INSULATOR SPACER	
5	3200005	2	COLLAR	
6	7002599	1	SEAL COVER	
7	7002600	1	SEAL COVER	
8	2101177	1	FILTER - EVAPORATOR PIPE	
9	6200836	1	ELECTRIC HARNESSE EHVAC	
10	2101178	1	EVAPORATOR - COMPRESSOR PIPE	
11	3200045	12	COLLAR	
12	3450363	4	CLIP	
13	2101179	2	Ø45 COLLAR WITH RUBBER BAND	

OPTION, AIR-CONDITIONING UNIT

Applies to 7457001-03 [7307006-02]



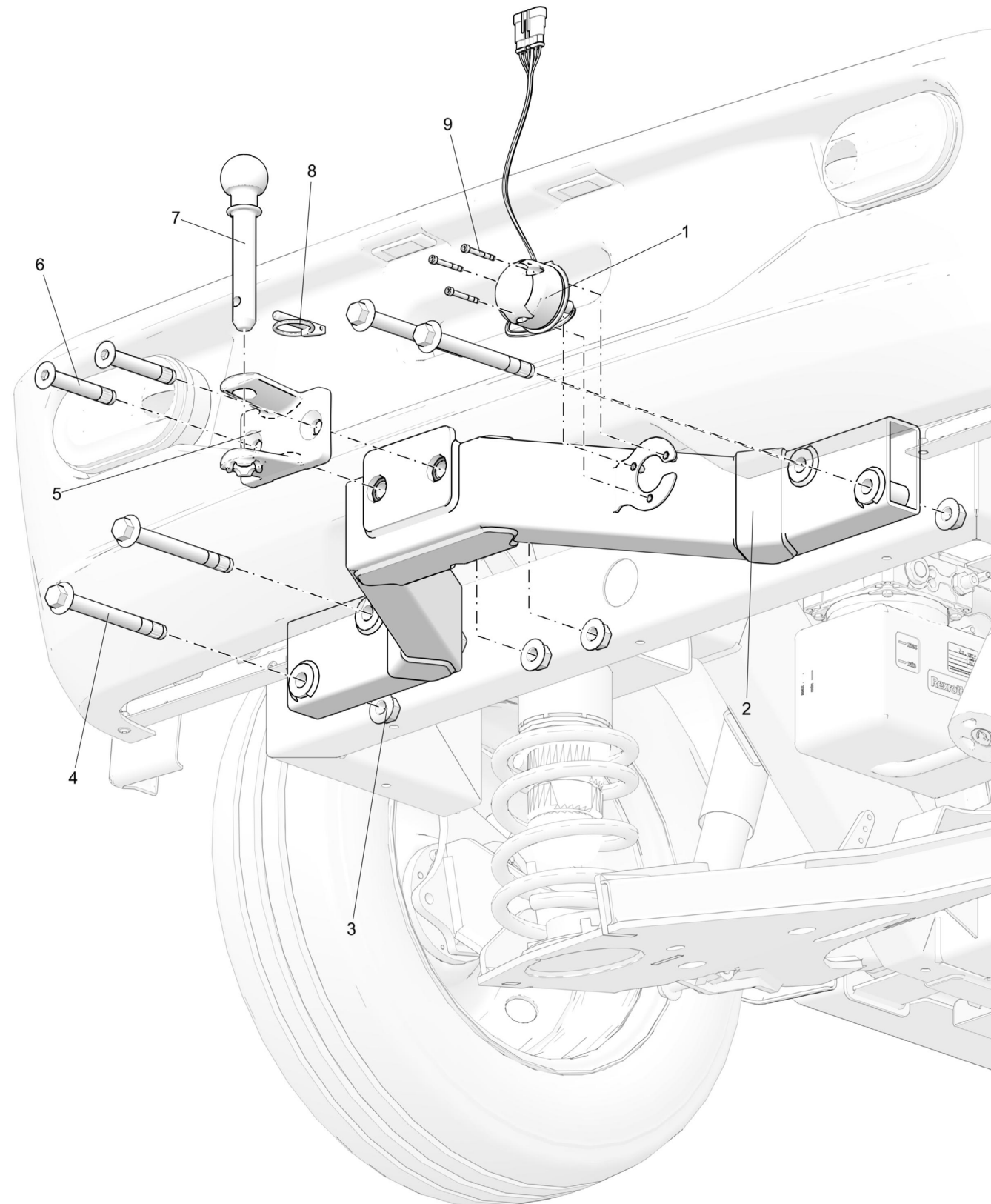
OPTION, AIR-CONDITIONING UNIT

Applies to 7457001-03 [7307006-02]

Ref.	Part No.	Qty	Part Description	Notes
1	2101180	1	COMPRESSOR - CONDENSER PIPE	
2	5055158	3	SCREW	
3	2101181	1	COMPRESSOR FLANGES KIT	
4	5055016	2	SCREW	
5	2101063	1	DEHYDRATOR FILTER	
6	2101057	1	DEHYDRATOR FILTER SUPPORT	
7	2101040	1	PRESSOSTAT	
8	5205004	4	NUT	
9	5055130	6	SCREW	
10	5055014	8	SCREW	
11	5300030	8	WASHER	
12	6112388	1	GRILL	
13	5055034	4	SCREW	
14	2101043	1	EHVAC CONDENSER	
15	6004561	1	CONDENSER BRACKET	
16	4250008	1	CABLE GLAND	
17	3200045	6	COLLAR	
18	2101182	1	CONDENSER - FILTRE PIPE	
19	2101041	1	EHVAC COMPRESSOR	Gaz R134a
20	4151151	3	SILENTBLOC	
21	5205003	3	NUT	

OPTION, TOW HITCH WITH TRAILER PLUG

Applies to 7457001-03 [7307007-02]



OPTION, TOW HITCH WITH TRAILER PLUG

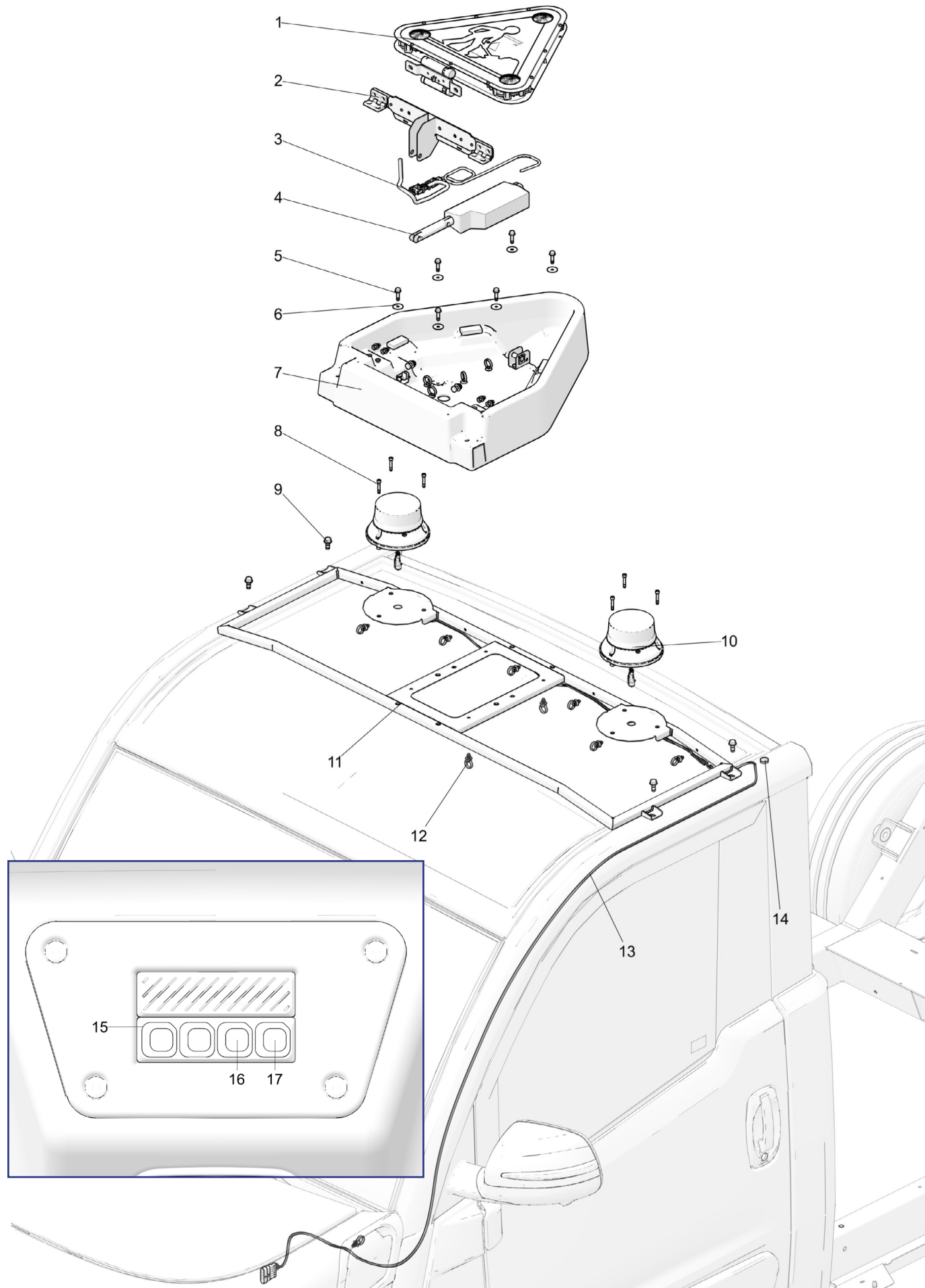
Applies to 7457001-03 [7307007-02]

Ref.	Part No.	Qty	Part Description	Notes
1	6207648	1	TOW HOOK HARNESS + CONNECTOR	
2	6004658	1	TOW HITCH	
3	5205014	6	NUT	
4	5055126	4	SCREW	
5	4200456	1	COUPLING BALL WITH COVER	
6	5105097	2	SCREW	
7	2100026	1	ROD AND BALL Ø50	
8	2100027	1	PIN	
9	5005001	3	SCREW	



**OPTION, ROOF BAR + TRIFLASH HAZARD WARNING TRIANGLE + BEACON LIGHTS**

**Applies to 7457001-03 [7307008-02]**



**OPTION, ROOF BAR + TRIFLASH HAZARD WARNING TRIANGLE + BEACON LIGHTS**

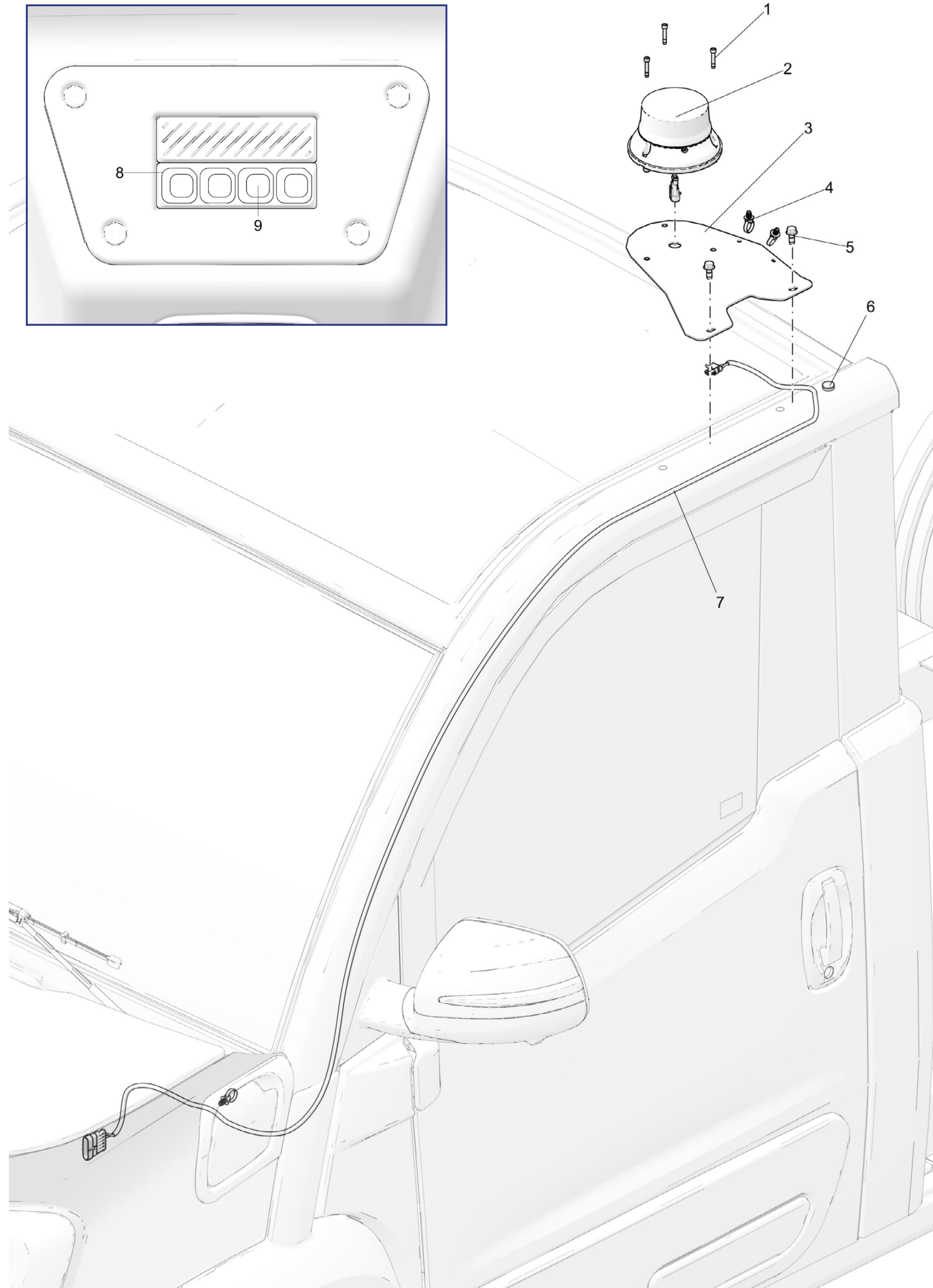
**Applies to 7457001-03 [7307008-02]**

Ref.	Part No.	Qty	Part Description	Notes
1	2101183	1	LED TRIANGLE	
2	2101184	1	HINGE BRACKET	
3	2101185	1	TRIANGLE CONTROL HARNESS	
4	2101186	1	LIFT CYLINDER	
5	5055015	6	SCREW	
6	5300036	6	WASHER	
7	3500163	1	TRIFLASH HAZARD WARNING TRIANGLE	COMPLETE
8	5005004	6	SCREW	
9	5055130	4	SCREW	
10	7102238	2	BEACON LIGHT ASSY	
11	6004635	1	HAZARD TRIANGLE BRACKET	
12	3200045	9	COLLAR	
13	6200337	1	ELECTRIC HARNESS	
14	4250260	1	GROMMET	
15	3450582	1	BUTTONS BAR	
16	3450610	1	BEACON LIGHT CAP	
17	3450611	1	HAZARD WARNING TRIANGLE CAP	



OPTION, BEACON LIGHT

Applies to 7457001-03 [7307009-02]



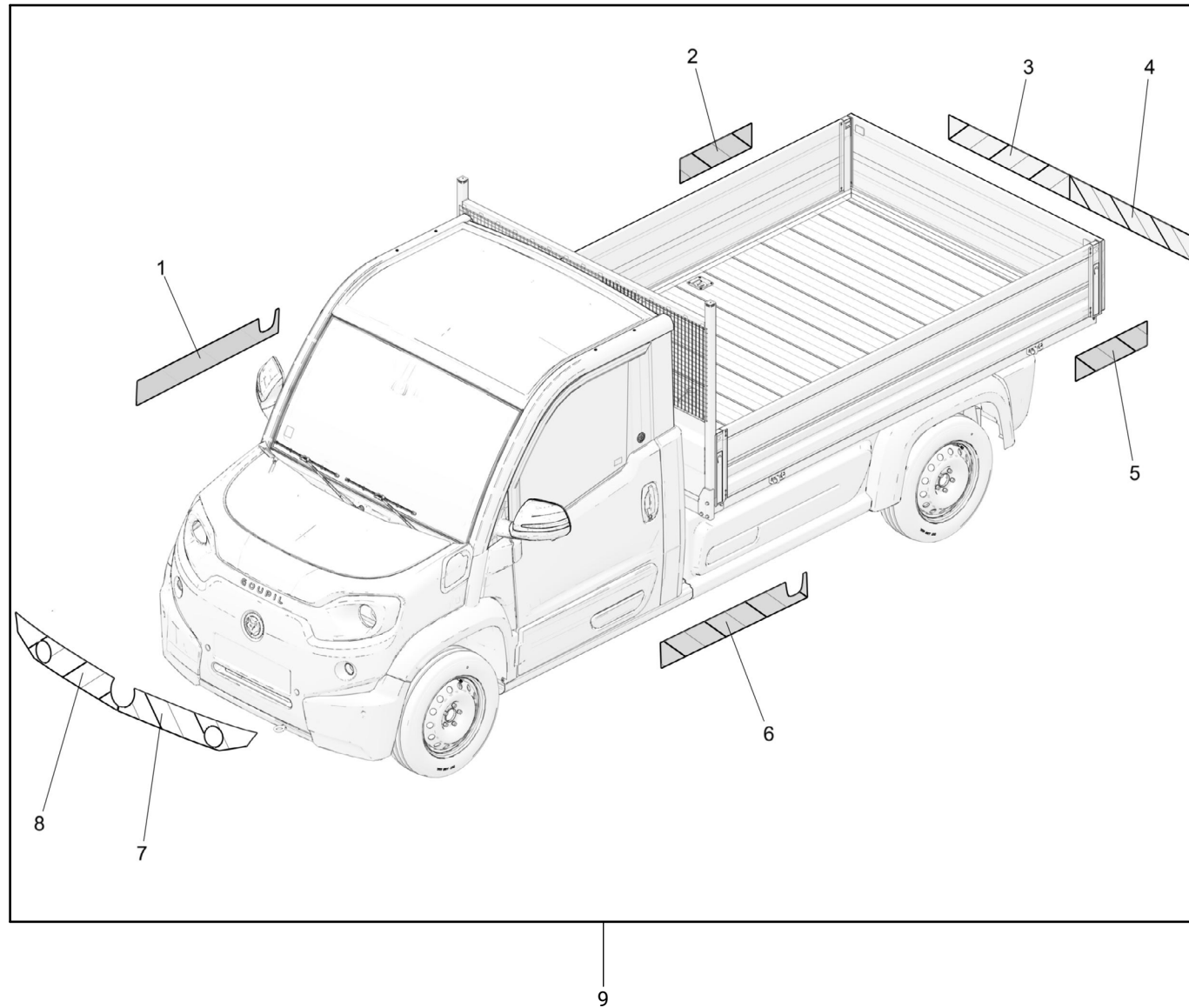
OPTION, BEACON LIGHT

Applies to 7457001-03 [7307009-02]

Ref.	Part No.	Qty	Part Description	Notes
1	5005004	3	SCREW	
2	7102238	1	BEACON LIGHT ASSY	
3	6004679	1	BEACON BRACKET	
4	3200045	3	COLLAR	
5	5055130	2	SCREW	
6	4250260	1	GROMMET	
7	6200338	1	ELECTRIC HARNESS	
8	3450582	1	BUTTONS BAR	
9	3450610	1	BEACON LIGHT CAP	

OPTION, CLASS 2 REFLECTIVE BANDS

Applies to 7457001-03 [7307010-01]



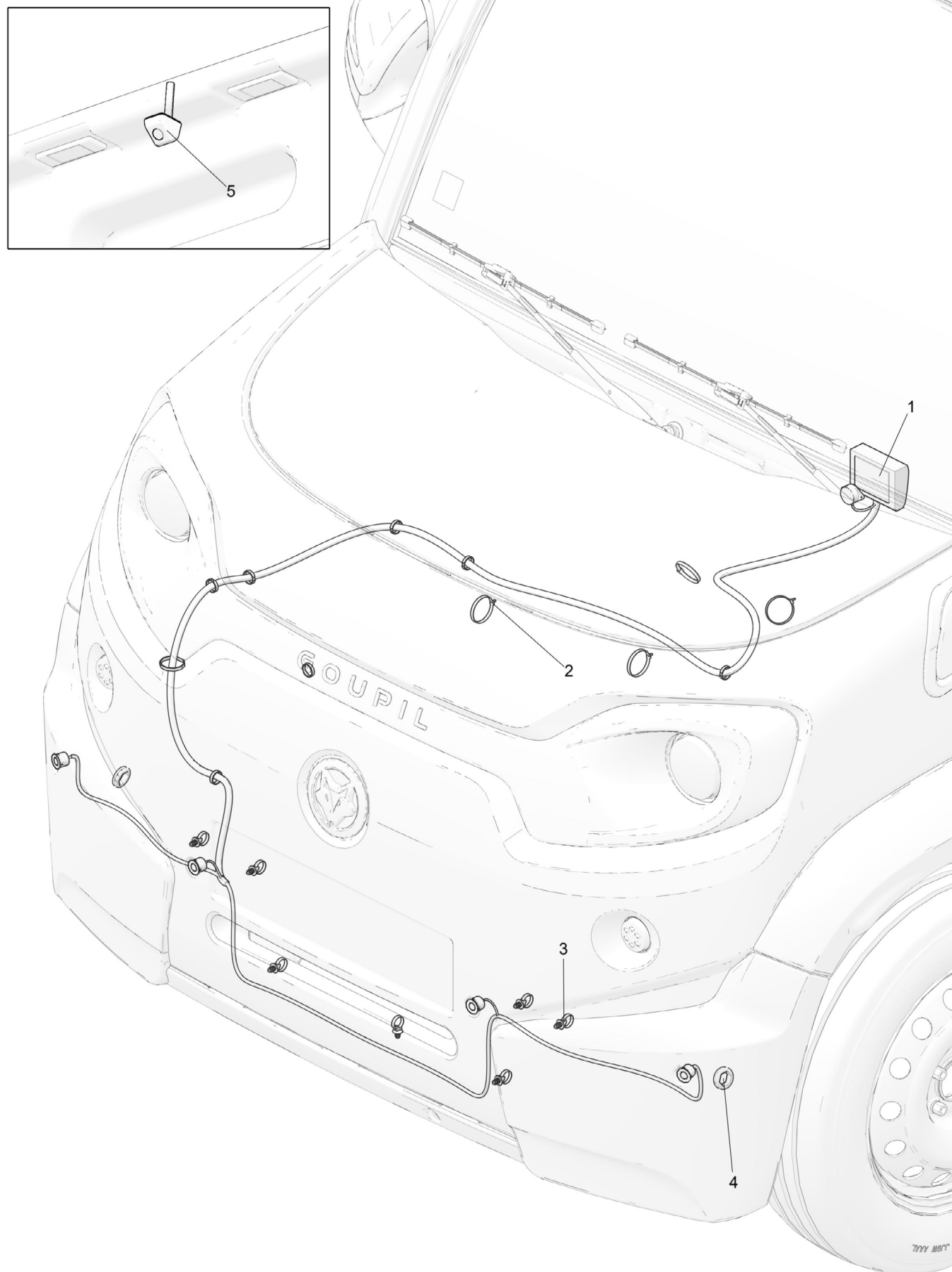
OPTION, CLASS 2 REFLECTIVE BANDS

Applies to 7457001-03 [7307010-01]

Ref.	Part No.	Qty	Part Description	Notes
1	6500608	1	F-RH STICKER	
2	6500604	1	R-RH LATERAL STICKER	
3	6500607	1	R-RH STICKER	
4	6500606	1	R-LH STICKER	
5	6500605	1	R-LH LATERAL STICKER	
6	6500609	1	F-LH STICKER	
7	6500611	1	LH STICKER	
8	6500610	1	RH STICKER	
9	6500603	1	STICKER SET	

OPTION, FRONT RADAR AND REAR CAMERA FOR LOAD BEDS

Applies to 7457001-03 [7307011-02]



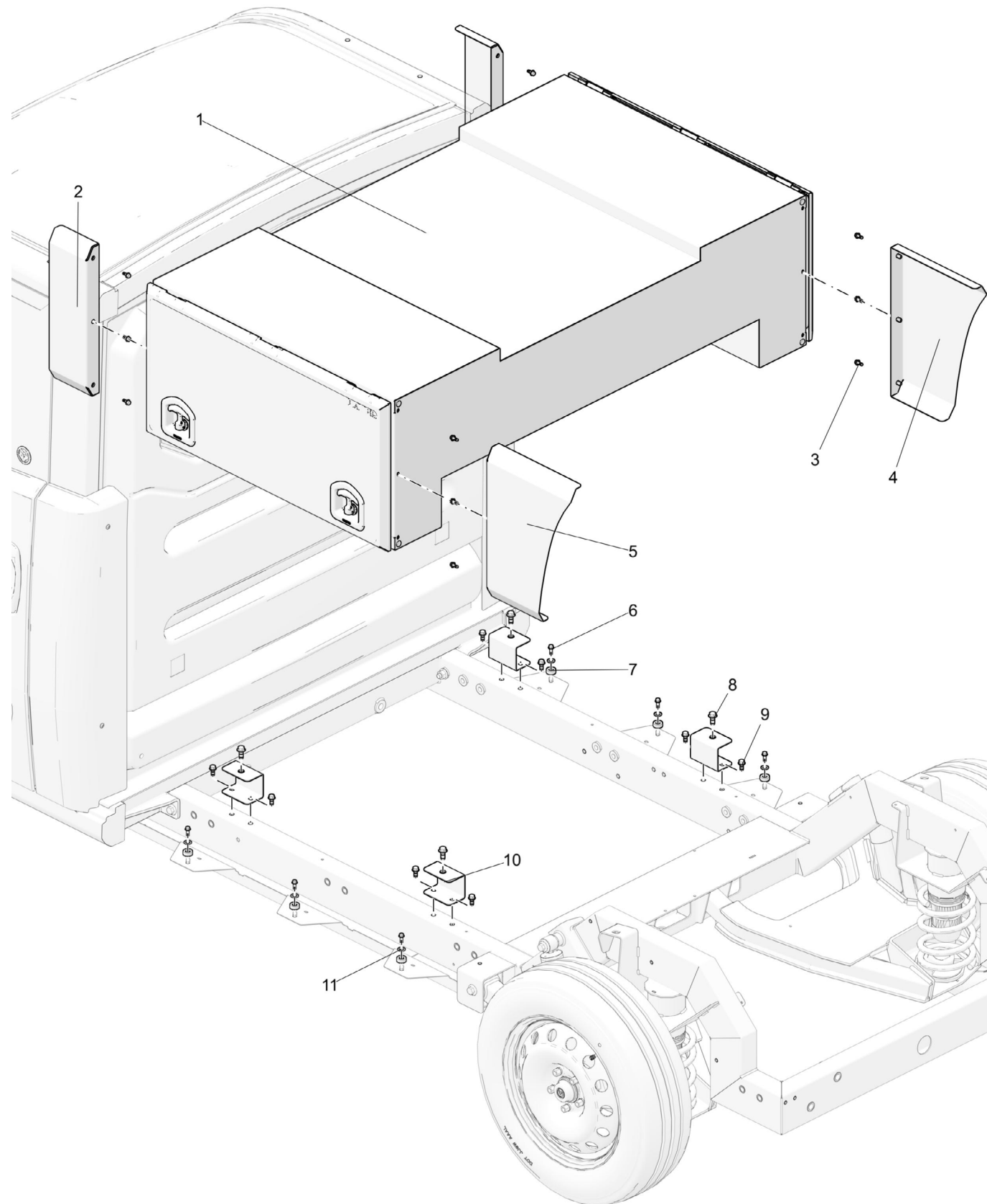
OPTION, FRONT RADAR AND REAR CAMERA FOR LOAD BEDS

Applies to 7457001-03 [7307011-02]

Ref.	Part No.	Qty	Part Description	Notes
1	3500306	1	FRONT SENSOR KIT	
2	3200005	4	COLLAR	
3	3200045	10	COLLAR	
4	4250203	2	BUSHING	
5	3500308	4	G6 CAM KIT	

OPTION, TRANSVERSE UNDERBODY STORAGE BOX

Applies to 7457001-03 [7307012-02]



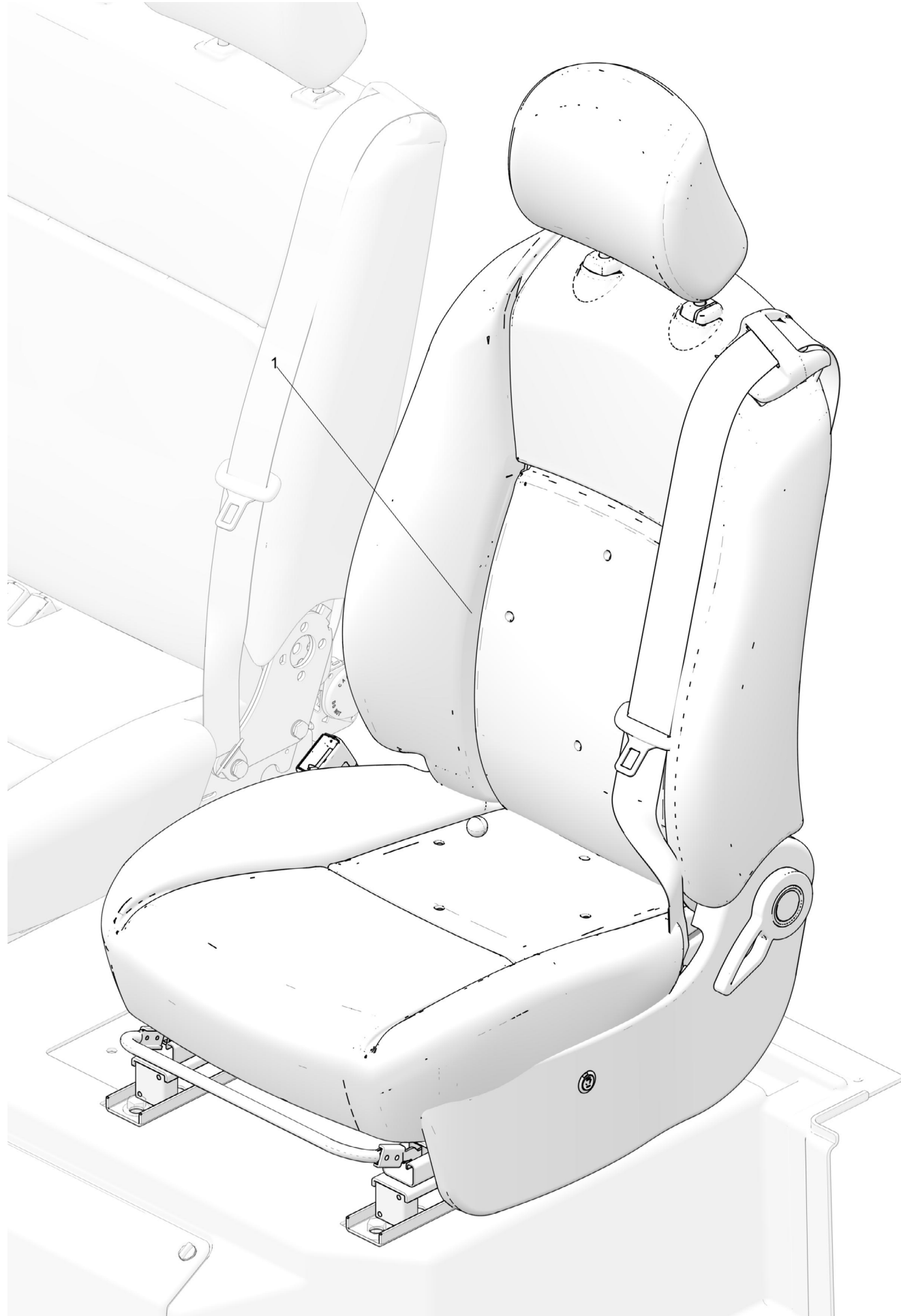
OPTION, TRANSVERSE UNDERBODY STORAGE BOX

Applies to 7457001-03 [7307012-02]

Ref.	Part No.	Qty	Part Description	Notes
1	4200522	1	TRANSVERSAL BOX	
2	6004672	2	FRONT COVER	
3	5055013	12	SCREW	
4	6004670	1	REAR RIGHT COVER	
5	6004669	1	REAR LEFT COVER	
6	5055014	6	SCREW	
7	4150865	6	SPACER	
8	5055032	4	SCREW	
9	5055024	8	SCREW	
10	6004671	4	U SHAPE BRACKET	
11	5300002	6	WASHER	

**OPTION, HEATED DRIVER SEAT**

**Applies to 7457001-03 [7307013]**



**OPTION, HEATED DRIVER SEAT**

**Applies to 7457001-03 [7307013]**

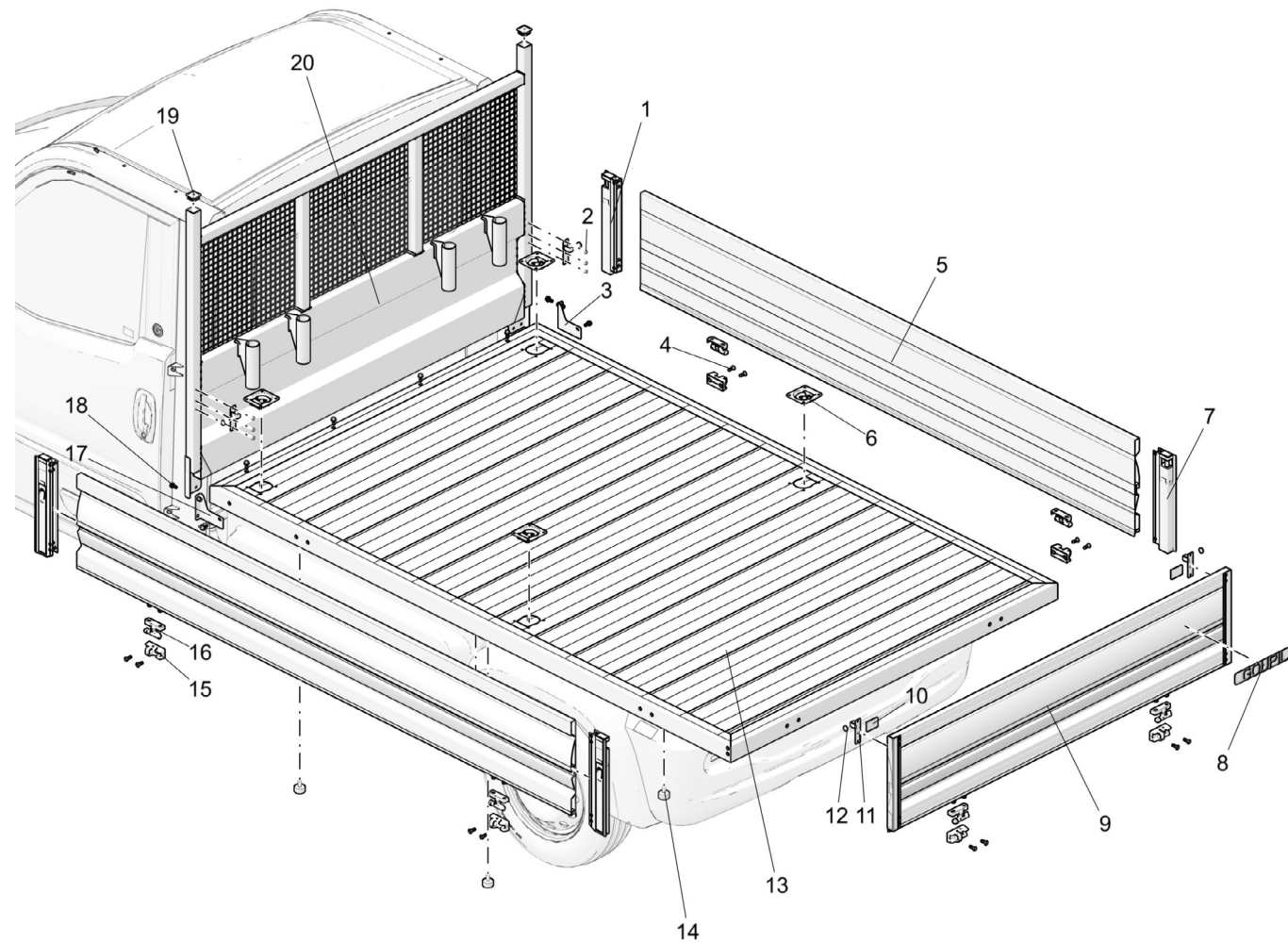
Ref.	Part No.	Qty	Part Description	Notes
1	6207681	1	HEATED DRIVER SEAT	

Note : Refer to the wheelbase exploded sheet for seat parts.

Note : Se référer à la planche d'éclatés de la base roulante pour les pièces détachées de sièges.

OPTION, PICK-UP

Applies to 7457001-03 [7307014-02]



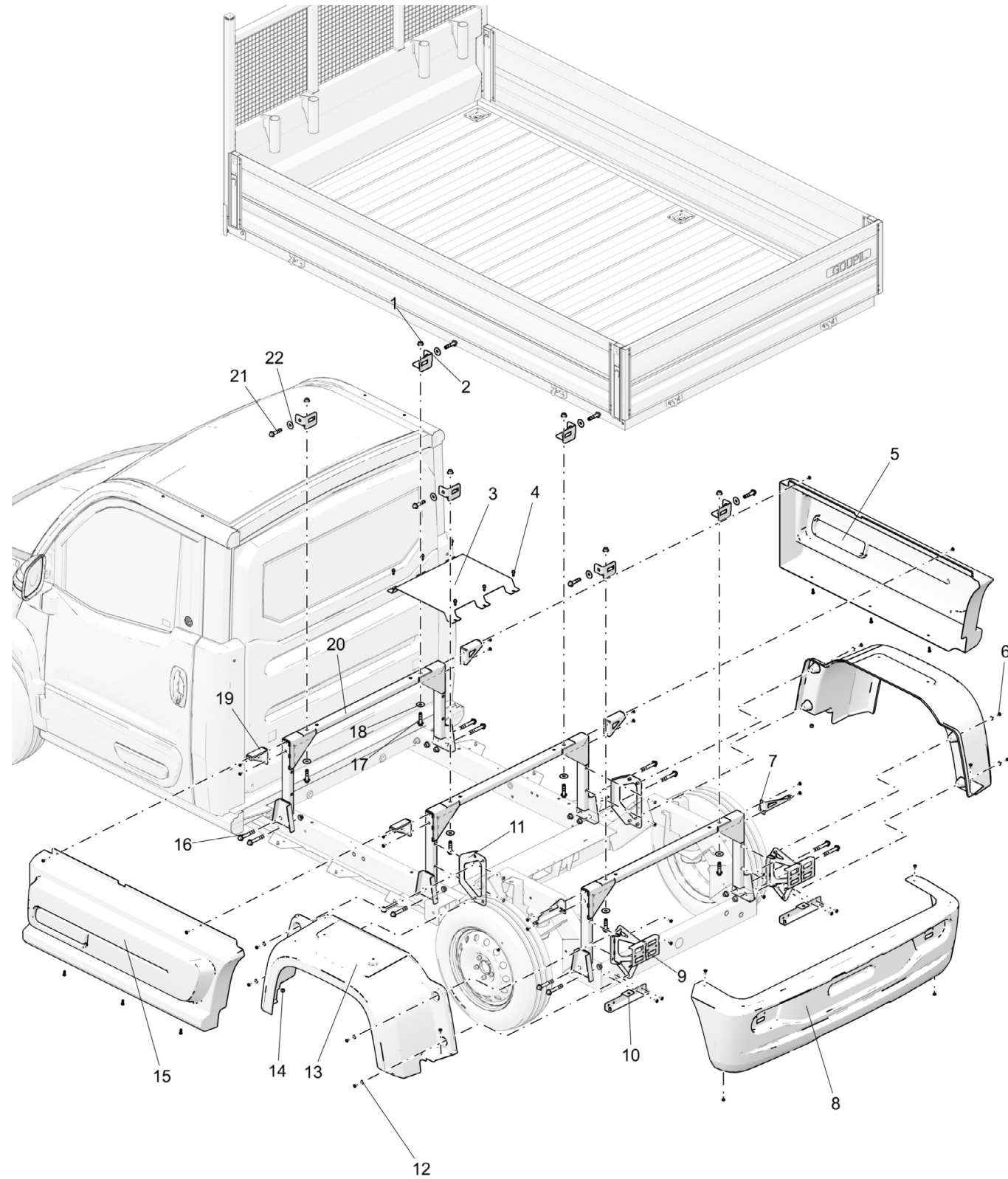
OPTION, PICK-UP

Applies to 7457001-03 [7307014-02]

Ref.	Part No.	Qty	Part Description	Notes
1	2100989	2	RH SIDE WALL TIP	
2	5400021	6	STAINLESS STEEL RIVET 4.8X10	
3	6004676	1	RH FRONT PANEL BRACKET	
4	5105104	12	SCREW	
5	4200510	2	SIDE BOARD	
6	4151152	4	ATTACHMENT RING	
7	2100988	2	LH SIDE WALL TIP	
8	6500595	1	STICKER	
9	4200511	1	REAR BOARD	
10	3550131	2	RED REFLECTOR	
11	2100275	4	LOCKING HOOK	
12	4150177	4	RUBBER STOP	
13	6004497	1	BED FRAME	
14	4150356	4	RUBBER STOP	
15	2100386	6	HINGE	
16	2100387	6	HINGE - TRANNION	
17	6004675	1	LH FRONT PANEL BRACKET	
18	5055024	12	SCREW	
19	4150592	2	PLUG	
20	6004674	1	FRONT RACK	

OPTION, PICK-UP

Applies to 7457001-03 [7307014-02]



OPTION, PICK-UP

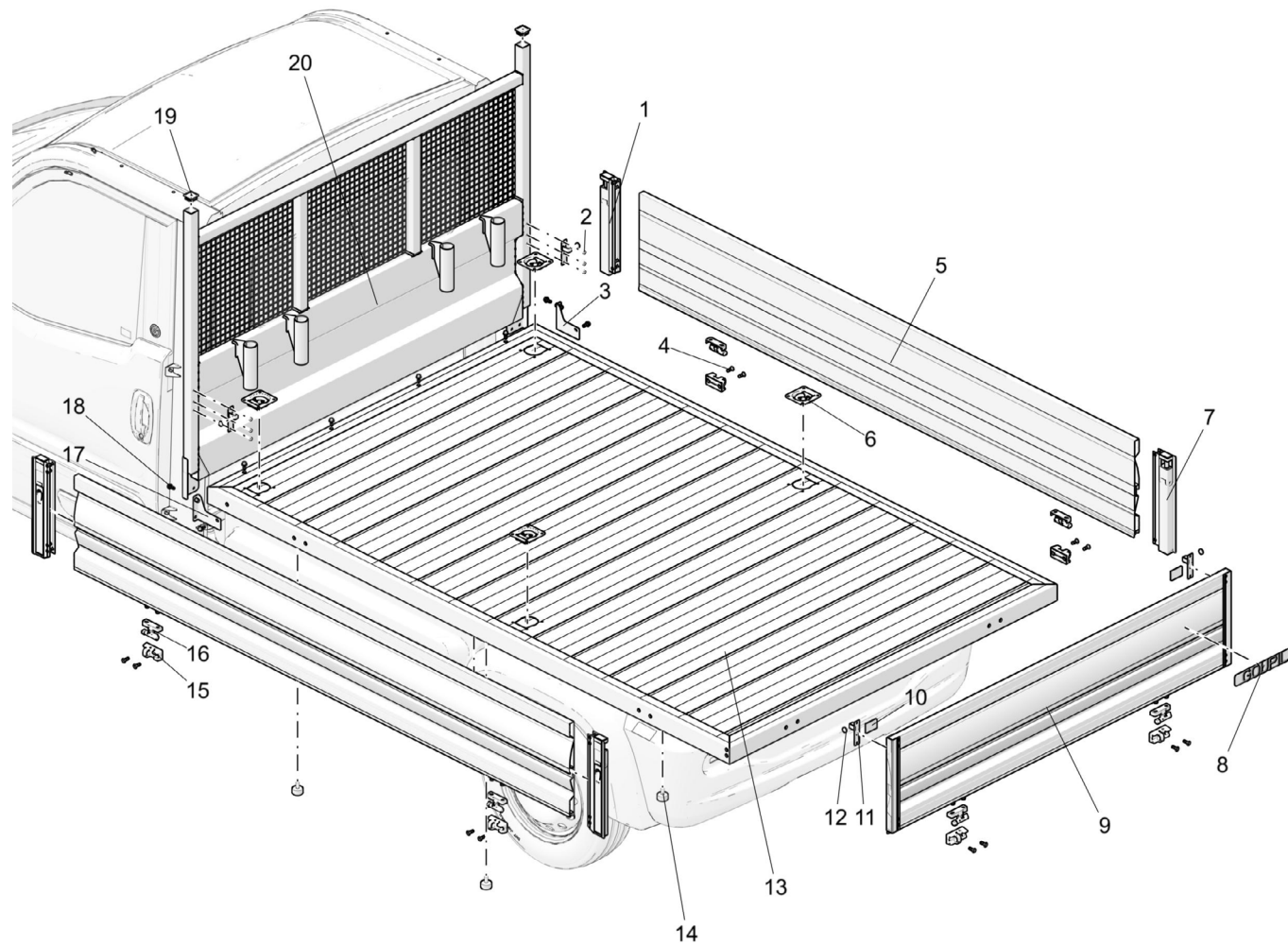
Applies to 7457001-03 [7307014-02]

Ref.	Part No.	Qty	Part Description	Notes
1	5205012	18	NUT	
2	6004678	3	RH DECK BRACKET	
3	6112816	1	A/C PROTECTION SHEET	
4	5055014	6	SCREW	
5	6207614	1	RH LATERAL PLASTIC COVER	
6	5055117	50	SCREW	
7	6004549	2	UPPER LH REAR BUMPER BRKT	
8	6207615	1	REAR BUMPER	
9	6004542	2	R-LH MUDGUARD REAR BRKT	
10	6004548	2	LOWER REAR BUMPER BRKT	
11	6004541	2	R-LH MUDGUARD FRONT BRKT	
12	5300091	8	NYTRIL WASHER	
13	6207611	2	REAR MUDGUARD	
14	4150746	2	SPACER	
15	6207613	1	LH LATERAL PLASTIC COVER	
16	5055159	12	SCREW	
17	5055097	6	SCREW	
18	5300088	12	WASHER	
19	6004539	4	UPPER BRKT FOR LATERAL COVER	
20	6004499	3	DECK ARCH	
21	5055098	6	SCREW	
22	6004677	3	LH DECK BRACKET	



OPTION, TIPPER

Applies to 7457001-03 [7307015-02]



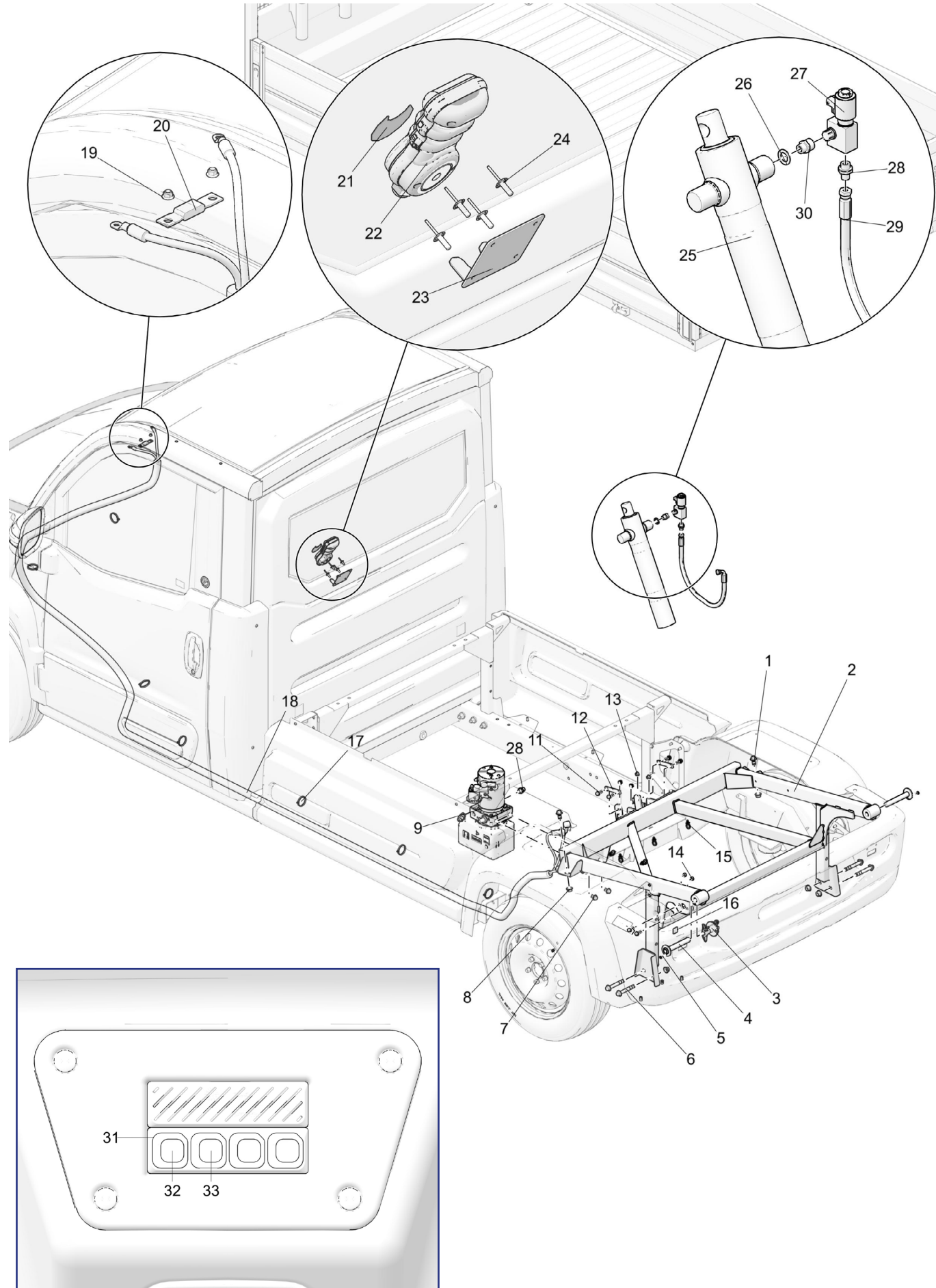
OPTION, TIPPER

Applies to 7457001-03 [7307015-02]

Ref.	Part No.	Qty	Part Description	Notes
1	2100989	2	RH SIDE WALL TIP	
2	5400021	6	STAINLESS STEEL RIVET 4.8X10	
3	6004676	1	RH FRONT PANEL BRACKET	
4	5105104	12	SCREW	
5	4200510	2	SIDE BOARD	
6	4151152	4	ATTACHMENT RING	
7	2100988	2	LH SIDE WALL TIP	
8	6500595	1	STICKER	
9	4200511	1	REAR BOARD	
10	3550131	2	RED REFLECTOR	
11	2100275	4	LOCKING HOOK	
12	4150177	4	RUBBER STOP	
13	6004497	1	BED FRAME	
14	4150356	4	RUBBER STOP	
15	2100386	6	HINGE	
16	2100387	6	HINGE - TRANNION	
17	6004675	1	LH FRONT PANEL BRACKET	
18	5055024	12	SCREW	
19	4150592	2	PLUG	
20	6004674	1	FRONT RACK	

OPTION, TIPPER

Applies to 7457001-03 [7307015-02]



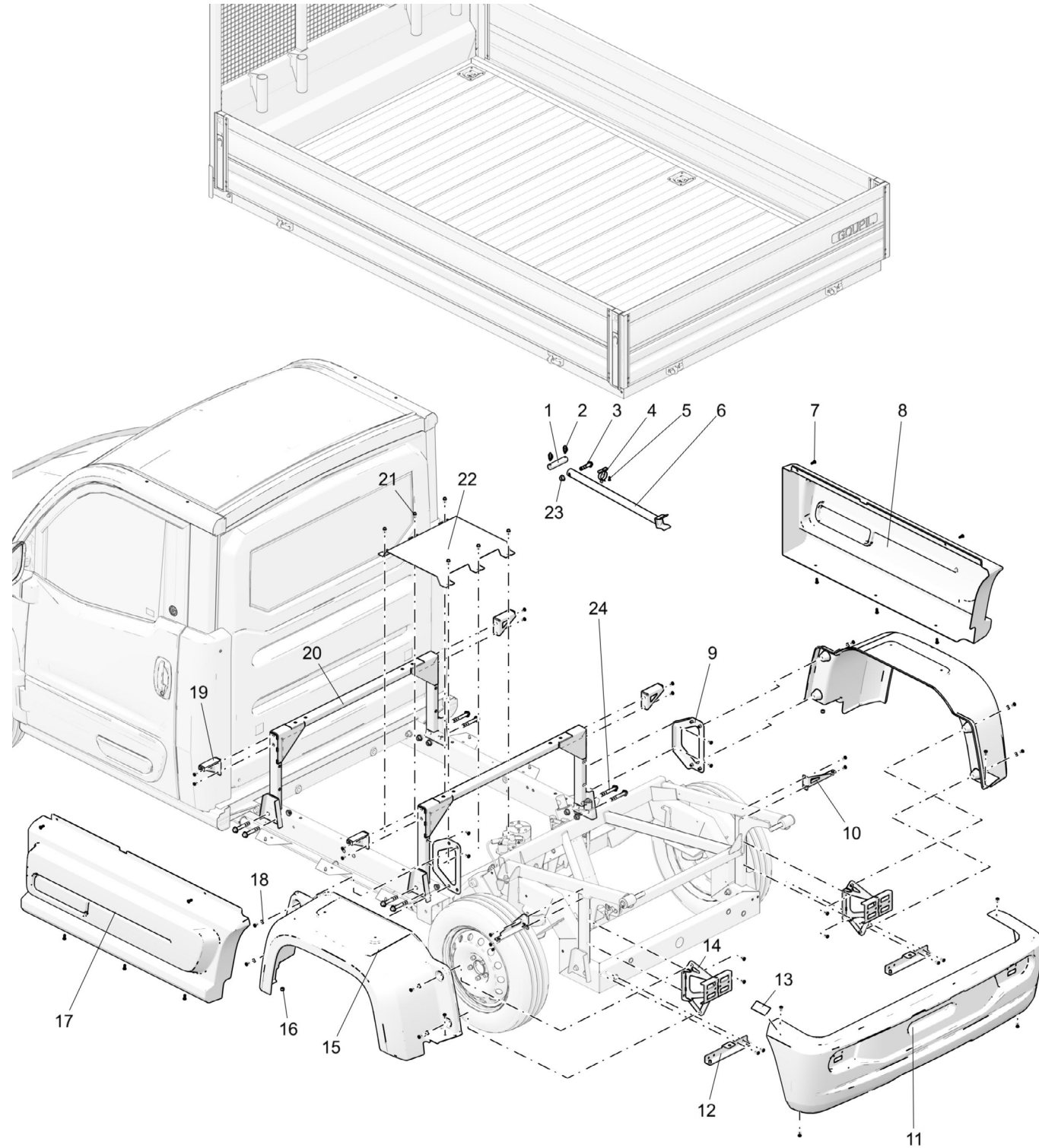
OPTION, TIPPER

Applies to 7457001-03 [7307015-02]

Ref.	Part No.	Qty	Part Description	Notes
1	5055040	2	SCREW	
2	6004503	1	TIPPER DECK SUBFRAME	
3	3450428	1	CIRCUIT BREAKER	
4	6004509	2	AXLE TILTING DESK	
5	5105004	2	SCREW	
6	5055159	12	SCREW	
7	5055031	2	SCREW	
8	5205012	15	NUT	
9	4000555	1	HYDRAULIC CENTRAL	
10	6207615	1	REAR BUMPER	
11	5055025	6	SCREW	
12	6112057	2	HYDRAULIC CYLINDER STOP	
13	5205003	4	NUT	
14	5200007	2	NUT	
15	3200045	6	COLLAR	
16	7002601	1	DUAL LOCK	
17	3200005	7	COLLAR	
18	6200330	1	POWER HARNESS	
19	5205021	2	NUT	
20	3450439	1	125A FUSE	
21	6500521	1	STICKER	
22	3450485	1	REMOTE CONTROL	
23	6112809	1	REMOTE SUPPORT	
24	5400019	4	RIVET	
25	4000406	1	TELESCOPIC HYDRAULIC ACTUATOR	
26	4000163	1	BBS BUSH	
27	4000520	1	SOLENOID 12V	
28	4000057	2	MALE CONNECTOR	
29	6400039	1	HYDRAULIC HOSE	
30	4000146	1	CONNECTOR	
31	3450582	1	BUTTONS BAR	
32	3450616	1	UP TIPPER CAP	
33	3450617	1	DOWN TIPPER CAP	

OPTION, TIPPER

Applies to 7457001-03 [7307015-02]



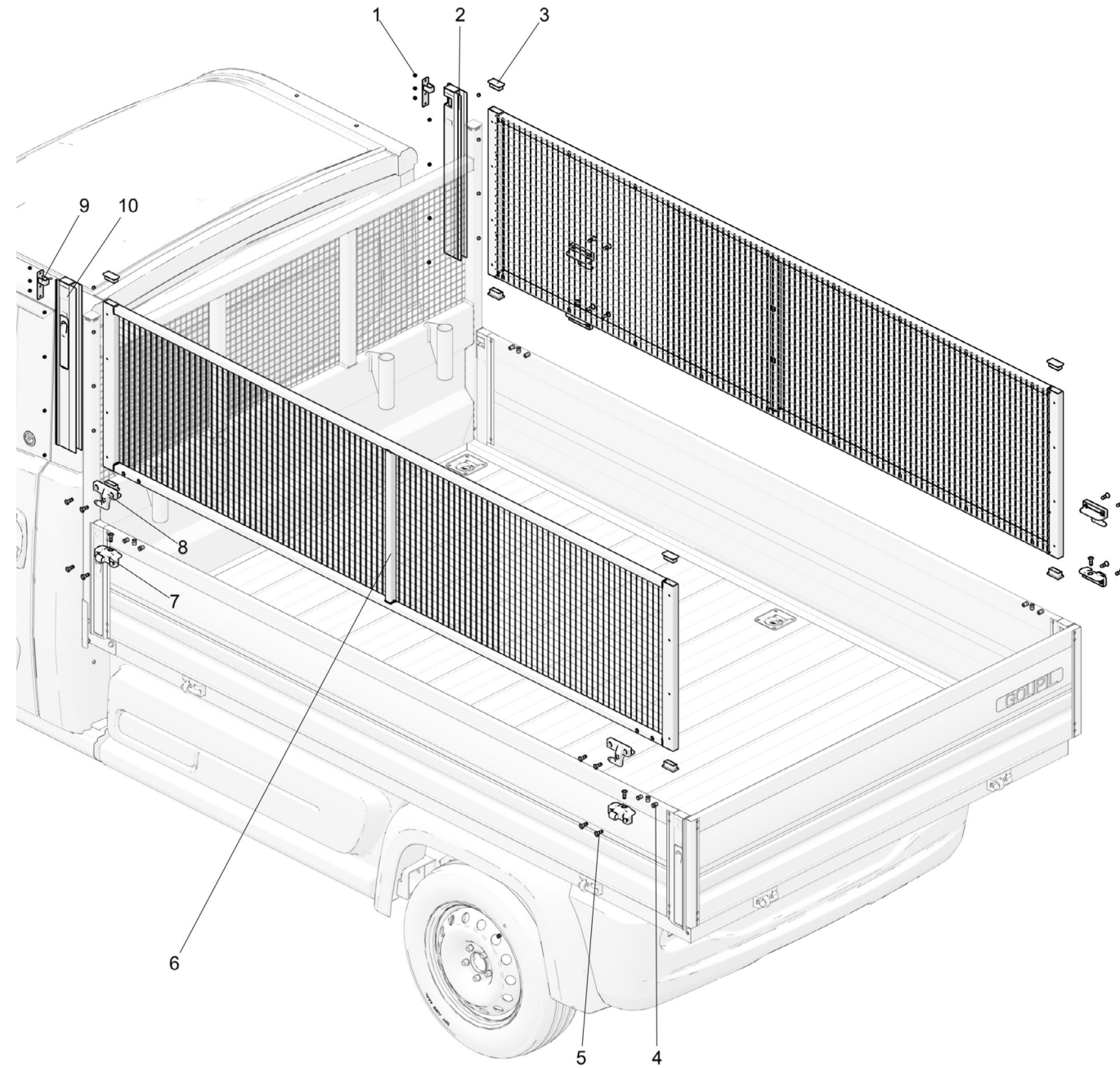
OPTION, TIPPER

Applies to 7457001-03 [7307015-02]

Ref.	Part No.	Qty	Part Description	Notes
1	6105254	1	ROD	
2	5450020	2	PIN	
3	5055098	1	SCREW	
4	4151157	1	SPRING STEEL CLIPS	
5	5105077	1	SCREW	
6	6004644	1	SAFETY ROD	
7	5055117	50	SCREW	
8	6207614	1	RH LATERAL PLASTIC COVER	
9	6004541	2	R-LH MUDGUARD FRONT BRKT	
10	6004549	2	UPPER LH REAR BUMPER BRKT	
11	6207615	1	REAR BUMPER	
12	6004548	2	LOWER REAR BUMPER BRKT	
13	6500714	1	STICKER	
14	6004542	2	R-LH MUDGUARD REAR BRKT	
15	6207611	2	REAR MUDGUARD	
16	4150746	2	SPACER	
17	6207613	1	LH LATERAL PLASTIC COVER	
18	5300091	8	NYTRIL WASHER	
19	6004539	4	UPPER BRKT FOR LATERAL COVER	
20	6004499	2	DECK ARCH	
21	5055014	6	SCREW	
22	6112816	1	A/C PROTECTION SHEET	
23	5205012	14	NUT	
24	5055159	12	SCREW	

OPTION, MESH CAGE BODY

Applies to 7457001-03 [7307016-02]



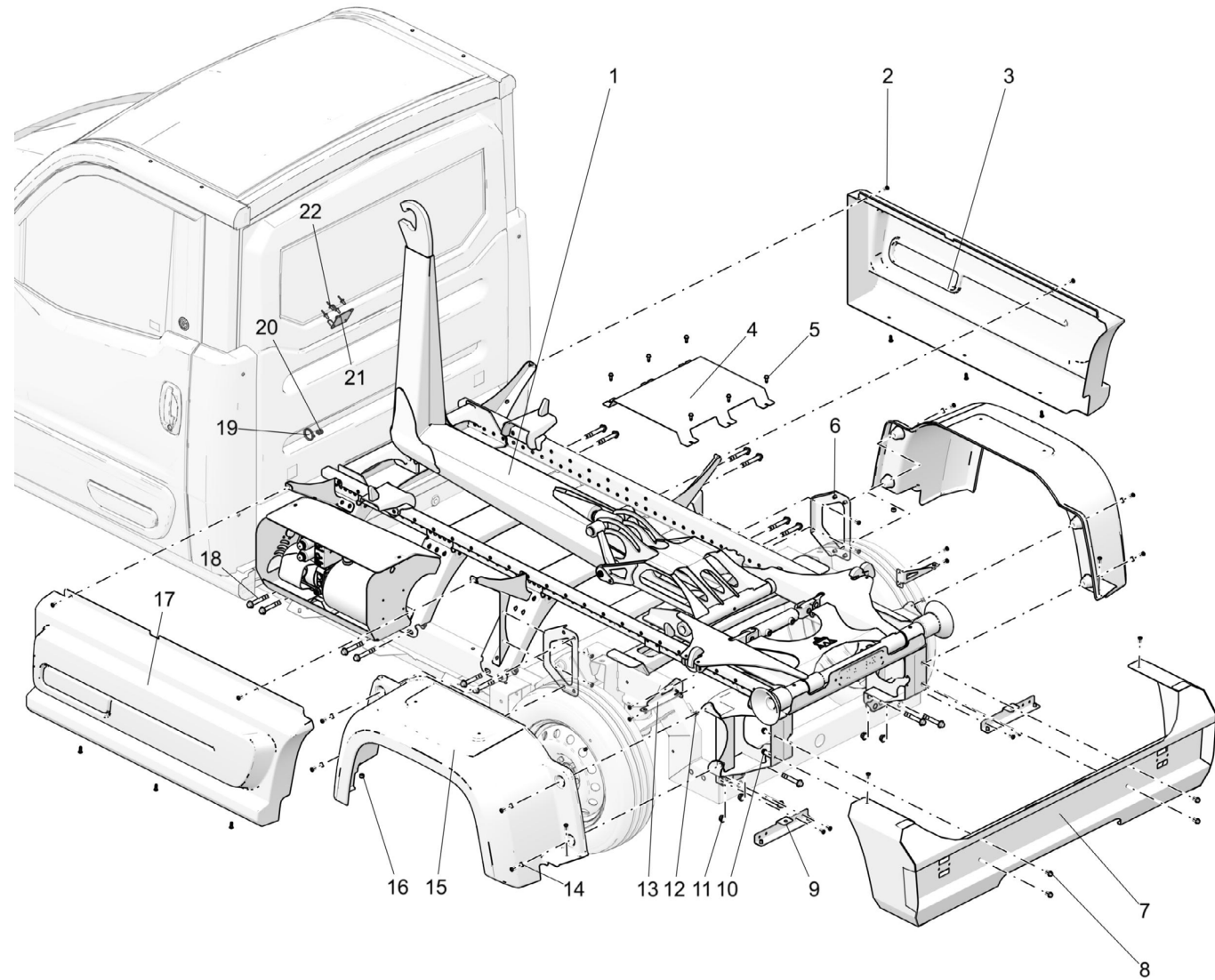
OPTION, MESH CAGE BODY

Applies to 7457001-03 [7307016-02]

Ref.	Part No.	Qty	Part Description	Notes
1	5400021	22	STAINLESS STEEL RIVET 4.8X10	
2	6201479	1	RIGHT END MESH CAGE	
3	4150094	8	PLUG	
4	5250044	12	INSERT	
5	5105104	20	SCREW	
6	6004527	2	LATERAL MESH CAGE	
7	6111570	4	HINGE BASE CAGE	
8	6111569	4	HINGE TRENNION	
9	2100275	2	LOCKING HOOK	
10	6201478	1	LEFT END MESH CAGE	

OPTION, HYDRAULIC HOOKLIFT

Applies to 7457001-03 [7307017-02]



OPTION, HYDRAULIC HOOKLIFT

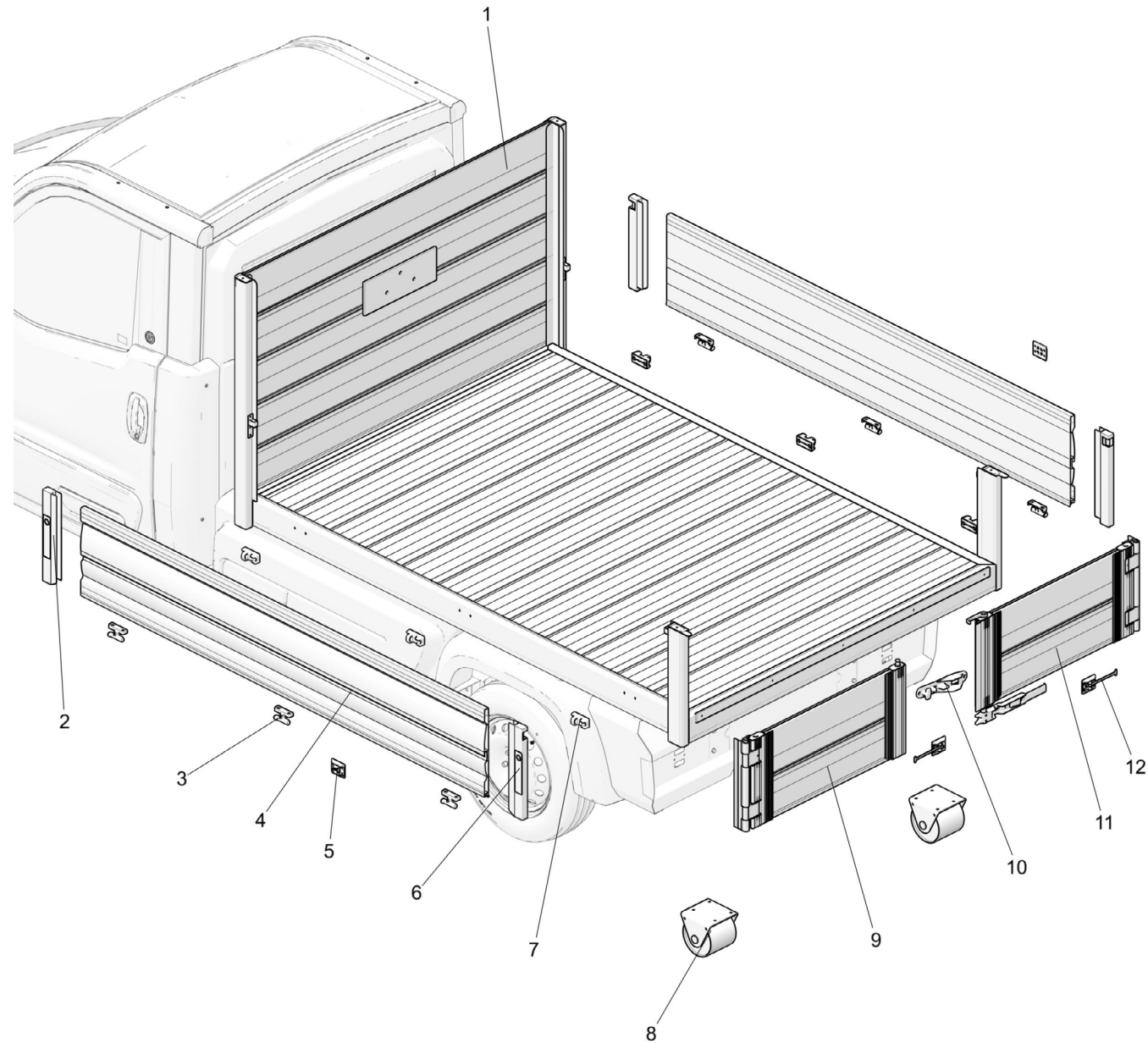
Applies to 7457001-03 [7307017-02]

Ref.	Part No.	Qty	Part Description	Notes
1	4200526	1	LIFTING ARM	
2	5055117	38	SCREW	
3	6207614	1	RH LATERAL PLASTIC COVER	
4	6112816	1	A/C PROTECTION SHEET	
5	5055014	6	SCREW	
6	6004541	2	R-LH MUDGUARD FRONT BRKT	
7	6004654	1	HOOKLIFT BUMPER	
8	5055130	4	SCREW	
9	6004548	2	LOWER REAR BUMPER BRKT	
10	5205003	4	NUT	
11	5205012	16	NUT	
12	5250049	4	INSERT	
13	6004549	2	UPPER LH REAR BUMPER BRKT	
14	5300091	8	NYTRIL WASHER	
15	6207611	2	REAR MUDGUARD	
16	4150746	2	SPACER	
17	6207613	1	LH LATERAL PLASTIC COVER	
18	5055159	16	SCREW	
19	3200005	1	COLLAR	
20	4150733	1	COLLAR	
21	6112809	1	REMOTE SUPPORT	
22	5400019	4	RIVET	



OPTION, ALUMINIUM WASTE COLLECTOR FOR HYDRAULIC HOOKLIFT

Applies to 7457001-03 [7307018-02]



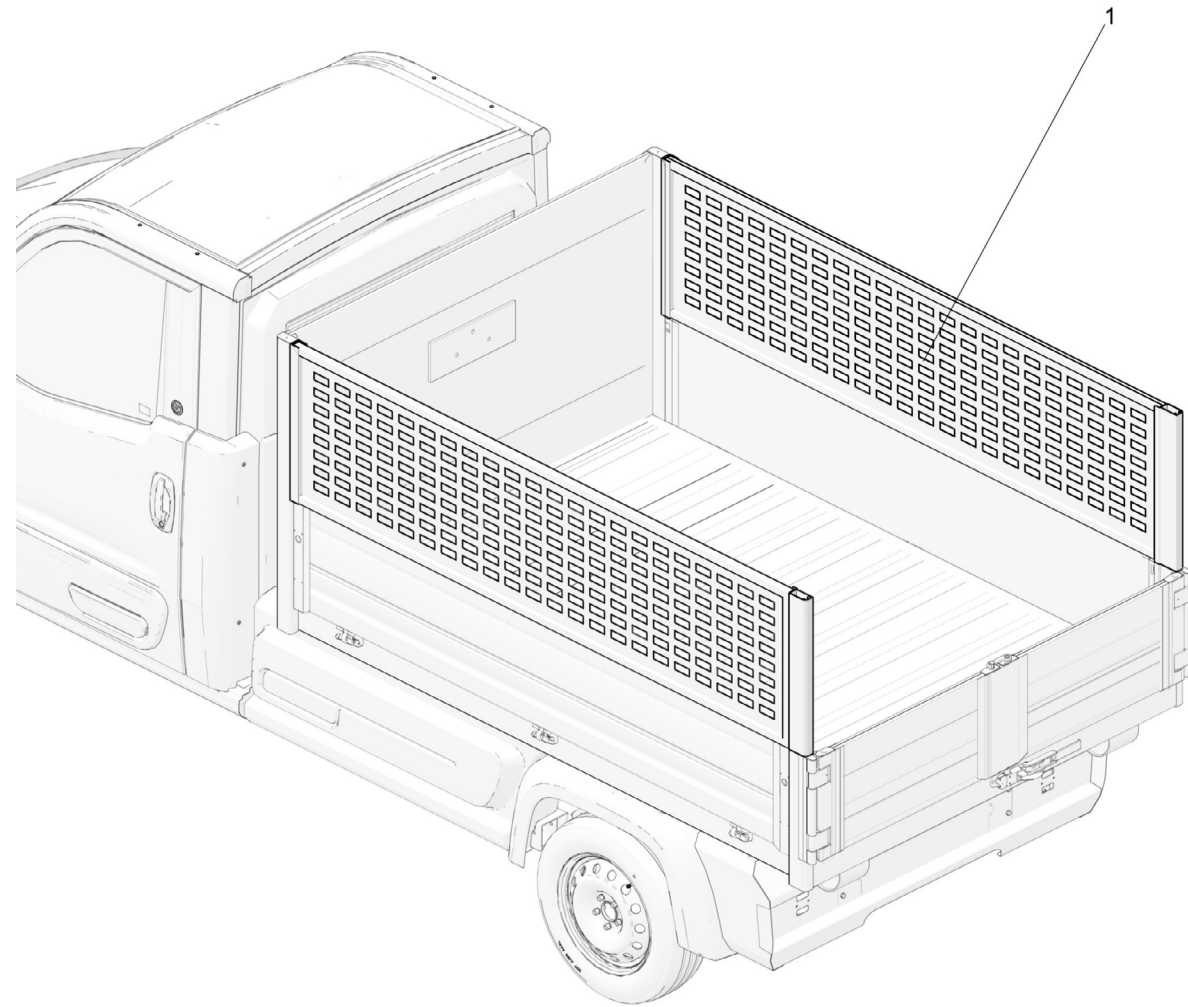
OPTION, ALUMINIUM WASTE COLLECTOR FOR HYDRAULIC HOOKLIFT

Applies to 7457001-03 [7307018-02]

Ref.	Part No.	Qty	Part Description	Notes
1	6200833	1	TIPPER CARRIER	COMPLETE WITH SIDE BOARDS
2	2100988	2	LH SIDE WALL TIP	
3	2100387	6	HINGE - TRUNNION	
4	2101279	2	SIDE BOARD	
5	2101285	2	FEMALE DOOR STOP	
6	2100989	2	RH SIDE WALL TIP	
7	2100386	6	HINGE	
8	2101282	2	ROULETTE	
9	2101280	1	REAR LEFT BOARD	
10	2101283	1	CREMONE BOLT STRIKE	
11	2101281	1	REAR RIGHT BOARD	
12	2101284	2	MALE DOOR STOP	

OPTION, UPPER CAGE MOBILE CONTAINER

Applies to 7457001-03 [7307019]



OPTION, UPPER CAGE MOBILE CONTAINER

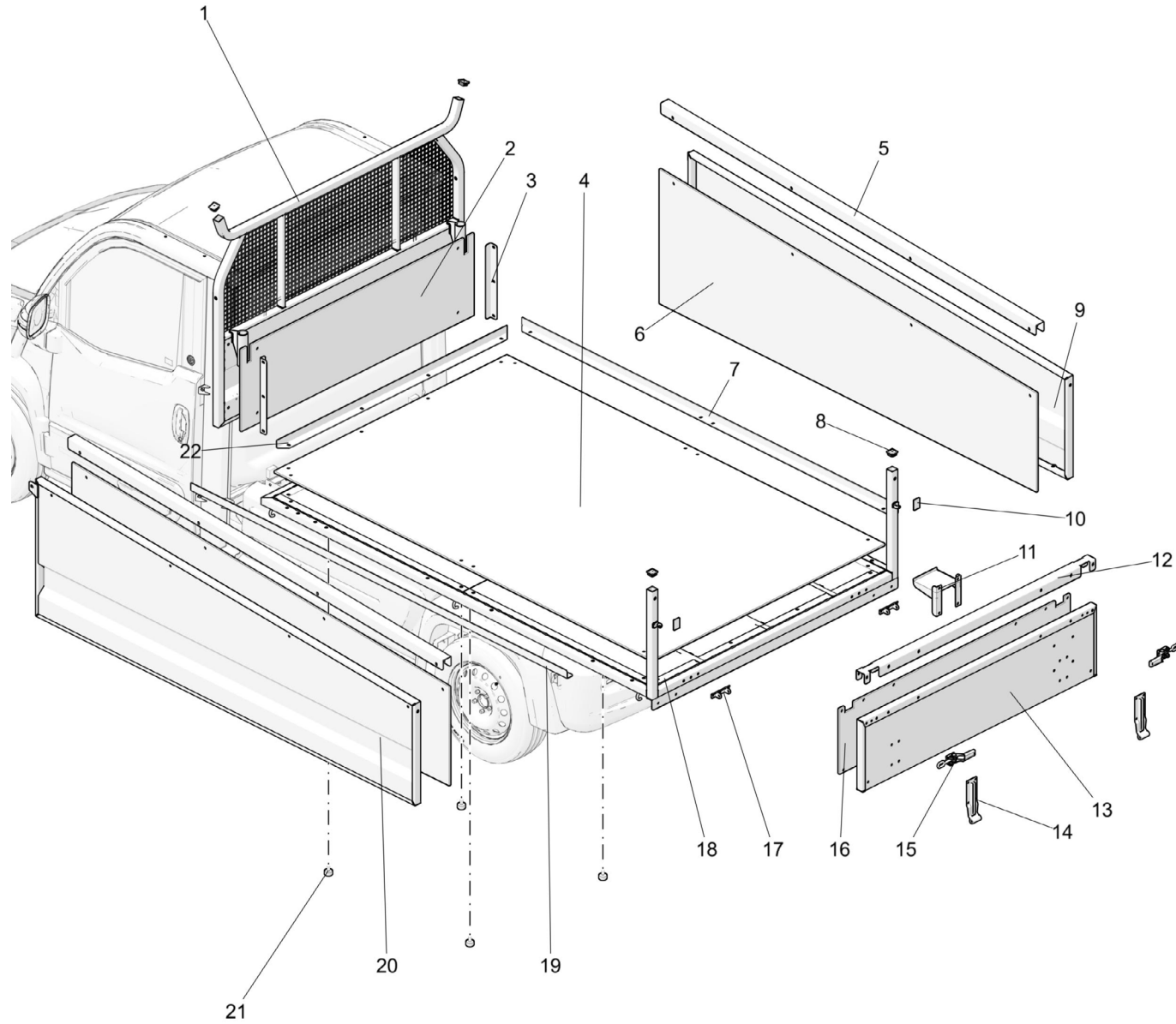
Applies to 7457001-03 [7307019]

Ref.	Part No.	Qty	Part Description	Notes
1	6200842	1	SIDE BOARD RAISES	



OPTION, BULKY WASTE COLLECTOR I RAL 7021

Applies to 7457001-03 [7307021-02]



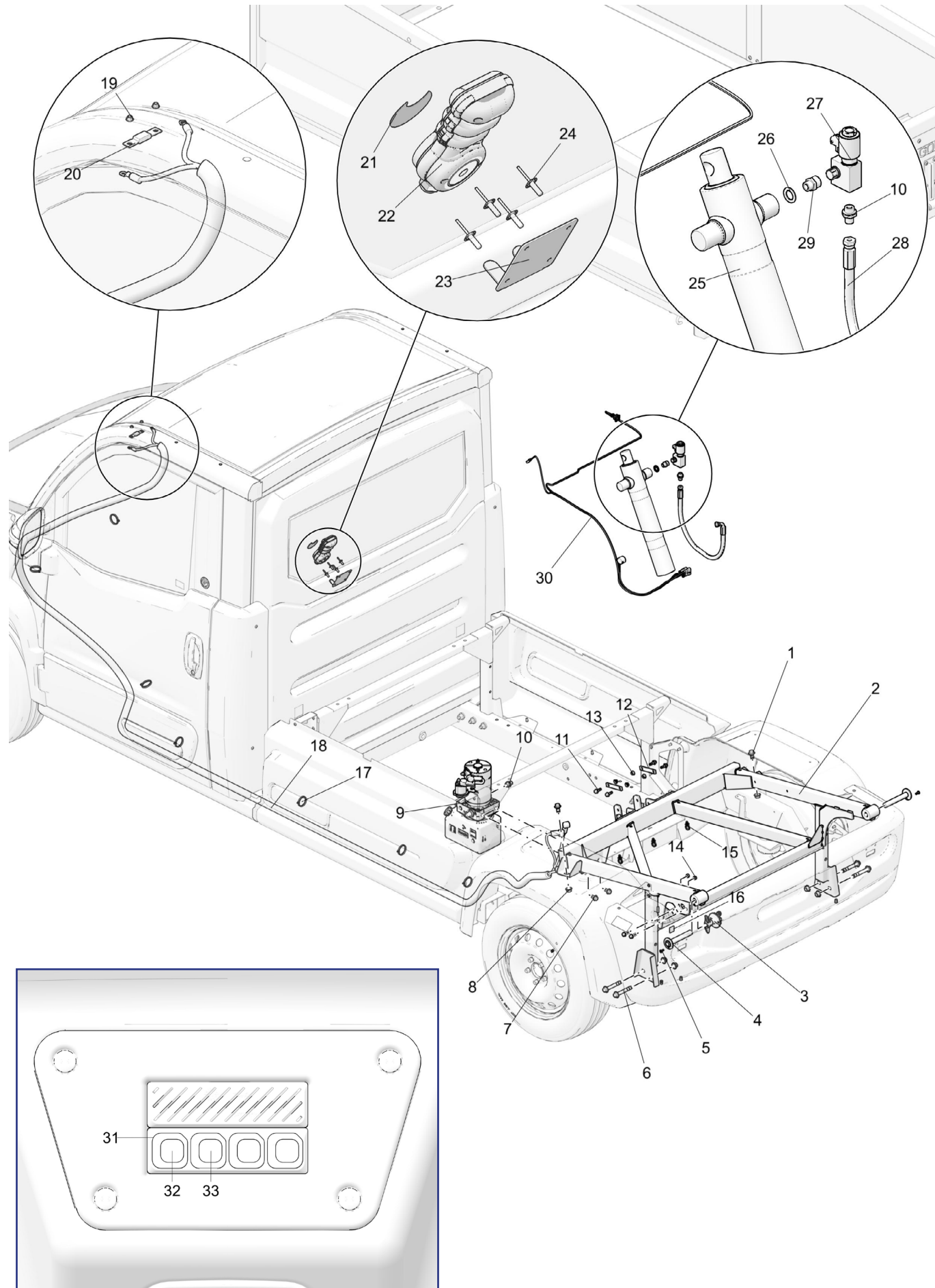
OPTION, BULKY WASTE COLLECTOR I RAL 7021

Applies to 7457001-03 [7307021-02]

Ref.	Part No.	Qty	Part Description	Notes
1	6004576	1	FRONT RACK	
2	7002474	1	BUCKET BULKY FRONT DROPSIDE LINING G6	
3	6112454	2	DROPSIDE SQUARRE BUCKET BULKY	
4	7002473	1	G6 BULKY BUCKET FLOOR	
5	6112450	2	U L/R DROPSIDE BUCKET BULKY G6	
6	7002475	2	BUCKET BULKY L/R DROPSIDE LINING G6	
7	6112453	1	R SQUARRE FLOOR BUCKET BULKY G6	
8	4150592	6	PLUG	
9	6004574	1	RH SIDE	
10	3550131	4	RED REFLECTOR	
11	4200471	1	FOOTBOARD	
12	6112449	1	UREAR DROPSIDE BUCKET BULKY G6	
13	6004577	1	REAR BOARD	
14	4150725	2	ST STEEL HINGE PAINT	
15	6207416	2	LATCH	
16	7002476	1	BUCKET BULKY REAR DROPSIDE LINING G6	
17	4150726	2	ST STEEL HINGE COVER	
18	6004573	1	FRAME	
19	6112451	1	FLOOR SQUARRE BUCKET BULKY	
20	6004575	1	LH SIDE	
21	4150356	8	RUBBER STOP	
22	6112452	1	FRONT SQUARRE FLOOR BUCKET BULKY G6	

OPTION, BULKY WASTE COLLECTOR I RAL 7021

Applies to 7457001-03 [7307021-02]



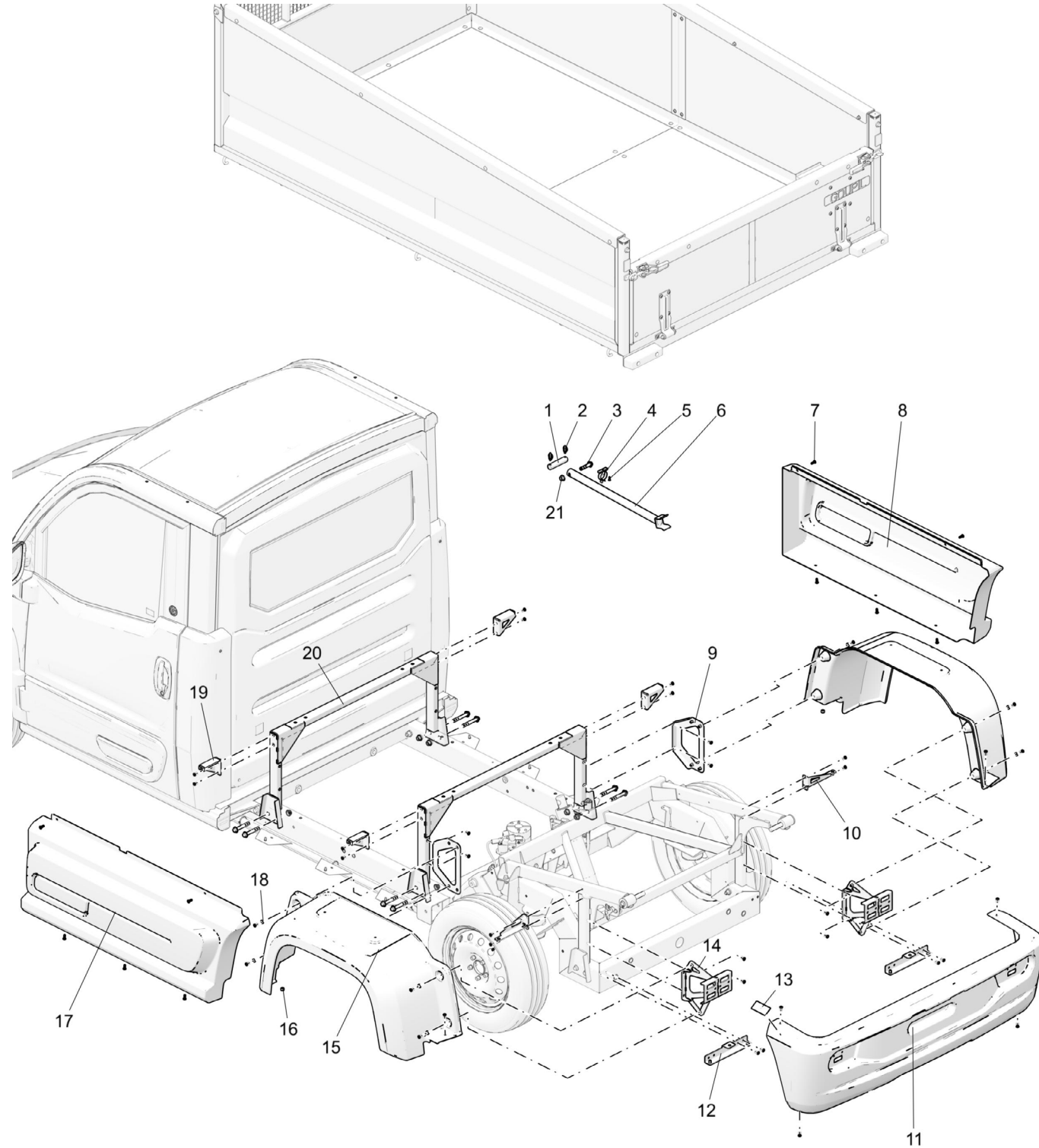
OPTION, BULKY WASTE COLLECTOR I RAL 7021

Applies to 7457001-03 [7307021-02]

Ref.	Part No.	Qty	Part Description	Notes
1	5055040	4	SCREW	
2	6004503	1	TIPPER DECK SUBFRAME	
3	3450428	2	CIRCUIT BREAKER	
4	6004509	4	AXLE TILTING DESK	
5	5105004	4	SCREW	
6	5055159	16	SCREW	
7	5055031	4	SCREW	
8	5205012	21	NUT	
9	4000555	1	HYDRAULIC CENTRAL	
10	4000057	4	MALE CONNECTOR	
11	5055025	12	SCREW	
12	6112057	4	HYDRAULIC CYLINDER STOP	
13	5205003	8	NUT	
14	5200007	4	NUT	
15	3200045	12	COLLAR	
16	7002601	2	DUAL LOCK	
17	3200005	14	COLLAR	
18	6200330	1	POWER HARNESS	
19	5205021	4	NUT	
20	3450439	2	125A FUSE	
21	6500521	2	STICKER	
22	3450485	2	REMOTE CONTROL	
23	6112809	2	REMOTE SUPPORT	
24	5400019	8	RIVET	
25	4000406	2	TELESCOPIC HYDRAULIC ACTUATOR	
26	4000163	2	BBS BUSH	
27	4000520	2	SOLENOID 12V	
28	6400039	2	HYDRAULIC HOSE	
29	4000146	2	CONNECTOR	
30	6200329	1	HARNESS	
31	3450582	1	BUTTONS BAR	
32	3450616	1	UP TIPPER CAP	
33	3450617	1	DOWN TIPPER CAP	

OPTION, BULKY WASTE COLLECTOR I RAL 7021

Applies to 7457001-03 [7307021-02]



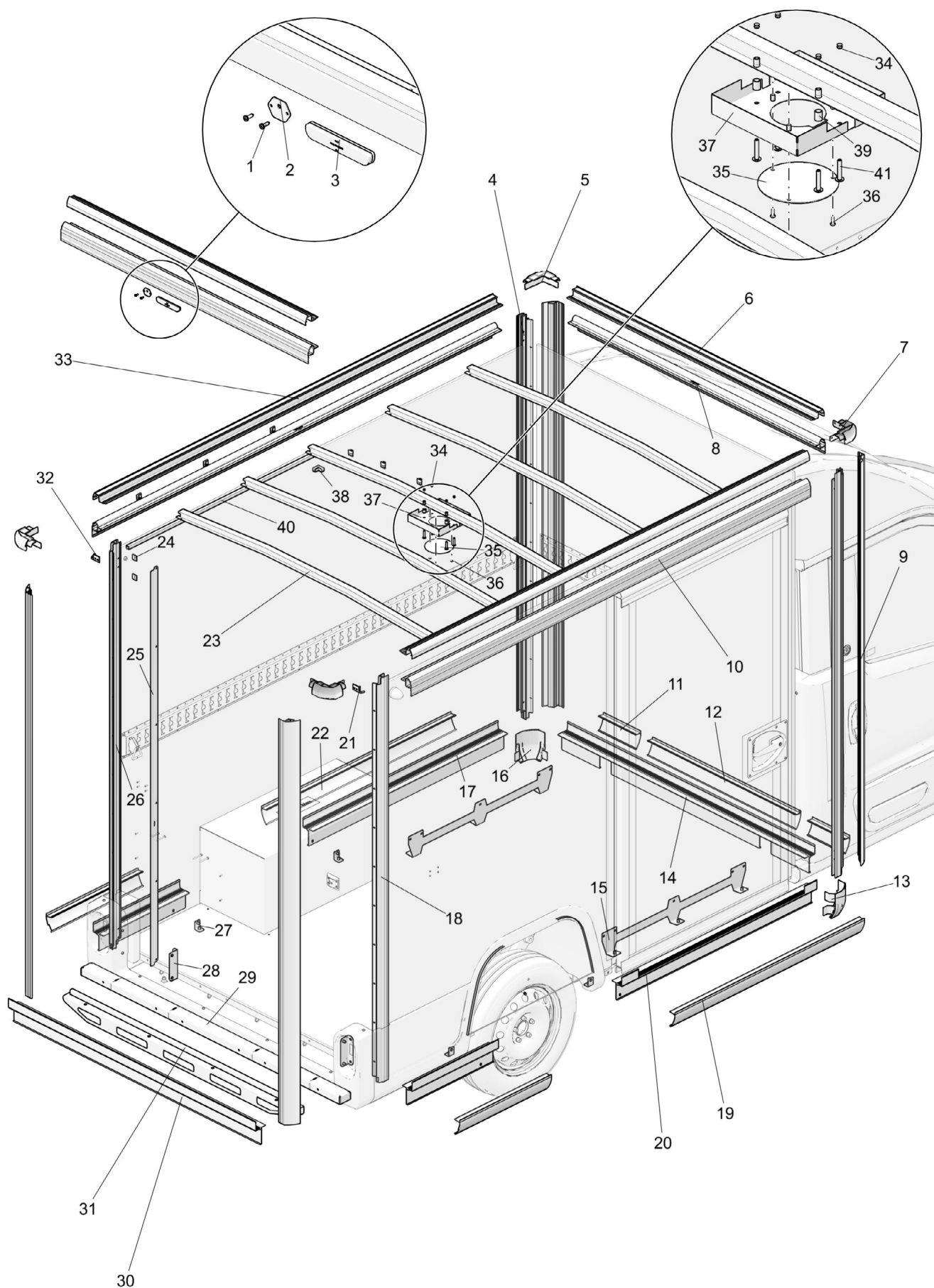
OPTION, BULKY WASTE COLLECTOR I RAL 7021

Applies to 7457001-03 [7307021-02]

Ref.	Part No.	Qty	Part Description	Notes
1	6105254	1	ROD	
2	5450020	2	PIN	
3	5055098	1	SCREW	
4	4151157	1	SPRING STEEL CLIPS	
5	5105077	1	SCREW	
6	6004644	1	SAFETY ROD	
7	5055117	50	SCREW	
8	6207614	1	RH LATERAL PLASTIC COVER	
9	6004541	2	R-LH MUDGUARD FRONT BRKT	
10	6004549	2	UPPER LH REAR BUMPER BRKT	
11	6207615	1	REAR BUMPER	
12	6004548	2	LOWER REAR BUMPER BRKT	
13	6500714	1	STICKER	
14	6004542	2	R-LH MUDGUARD REAR BRKT	
15	6207611	2	REAR MUDGUARD	
16	4150746	2	SPACER	
17	6207613	1	LH LATERAL PLASTIC COVER	
18	5300091	8	NITRYLE WASHER	
19	6004539	4	UPPER BRKT FOR LATERAL COVER	
20	6004499	2	DECK ARCH	
21	5205012	14	NUT	

OPTION, 9 M3 BOX VAN, PROFILES

Applies to 7457001-03 [7307022-03]



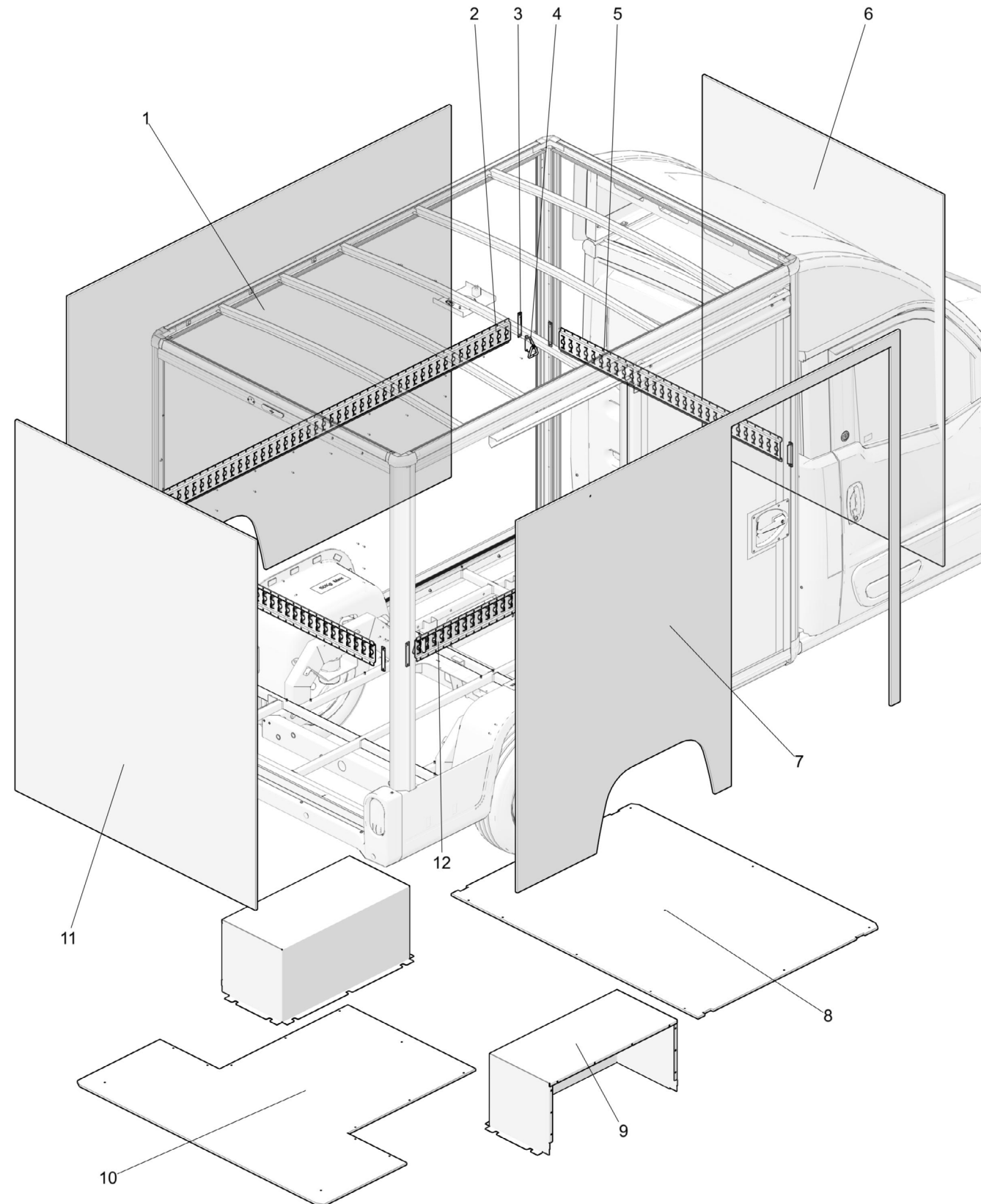
OPTION, 9 M3 BOX VAN, PROFILES

Applies to 7457001-03 [7307022-03]

Ref.	Part No.	Qty	Part Description	Notes
1	5100085	2	SCREW	
2	6113053	1	CAMERA BRACKET	
3	3550130	1	STOP LIGHT	
4	2101190	2	FRONT LATERAL ALUMINIUM PROFILE	
5	2101191	2	UPPER LEFT VAN ANGLE	
6	2101192	2	UPPER FRONT ROOF SIDE ALUMINIUM PROFILE	
7	2101193	2	UPPER RIGHT VAN ANGLE	
8	2101194	2	UPPER FRONT PANEL SIDE ALUMINIUM PROFILE	
9	2101195	4	FRONT ALUMINIUM PROFILE	
10	2101196	2	ROOF PANEL SIDE ALUMINIUM PROFILE	
11	2101197	2	FRONT LOWER LH/RH ALUMINIUM FINISH PROFILE	
12	2101198	1	FRONT LOWER CENTER ALUMINIUM FINISH PROFILE	
13	2101199	1	LOWER RIGHT VAN ANGLE	
14	2101200	1	FRONT LOWER ALUMINIUM PROFILE	
15	6004685	2	CHANNEL HOLDER VAN	
16	2101201	1	LOWER LEFT VAN ANGLE	
17	2101202	1	LEFT LOWER ALUMINIUM PROFILE	
18	2101203	1	REAR RIGHT PANEL SIDE ALUMINIUM PROFILE	
19	2101204	1	RIGHT LOWER ALUMINIUM FINISH PROFILE	
20	2101205	1	RIGHT LOWER ALUMINIUM PROFILE	
21	2101207	1	RIGHT INTERFACE OF THIRD STOP LIGHT BRACKET	
22	2101210	1	LEFT LOWER ALUMINIUM FINISH PROFILE	
23	2101209	5	ROOF CROSS BAR	
24	3200047	8	CLIP	
25	6113046	1	CONDUIT	
26	2101211	1	REAR LEFT PANEL SIDE ALUMINIUM PROFILE	
27	6004591	4	MUDGUARD BRKT	
28	6004589	2	REAR BUMPER BRKT	
29	6004605	1	FRAME VAN EXTENSION	
30	2101297	1	REAR LOWER ALUMINIUM PROFILE	
31	6004588	1	REAR BUMPER BRKT	
32	2101213	1	LEFT INTERFACE OF THIRD STOP LIGHT BRACKET	
33	2101214	2	ROOF SIDE ALUMINIUM FINISH PROFILE	
34	5400021	4	STAINLESS STEEL RIVET 4.8X10	
35	3450592	1	ROOF LIGHT VAN 8M3 G6	
36	5100059	3	BOLT	
37	6004783	1	LIGHT HOLDER VAN	
38	4250278	1	FLAT CORNER	
39	5300077	4	SPACER	
40	7002630	1	CONDUIT	
41	5105118	4	BOLT	

OPTION, 9 M3 BOX VAN, PANELS AND LASHING RAILS

Applies to 7457001-03 [7307022-03]



OPTION, 9 M3 BOX VAN, PANELS AND LASHING RAILS

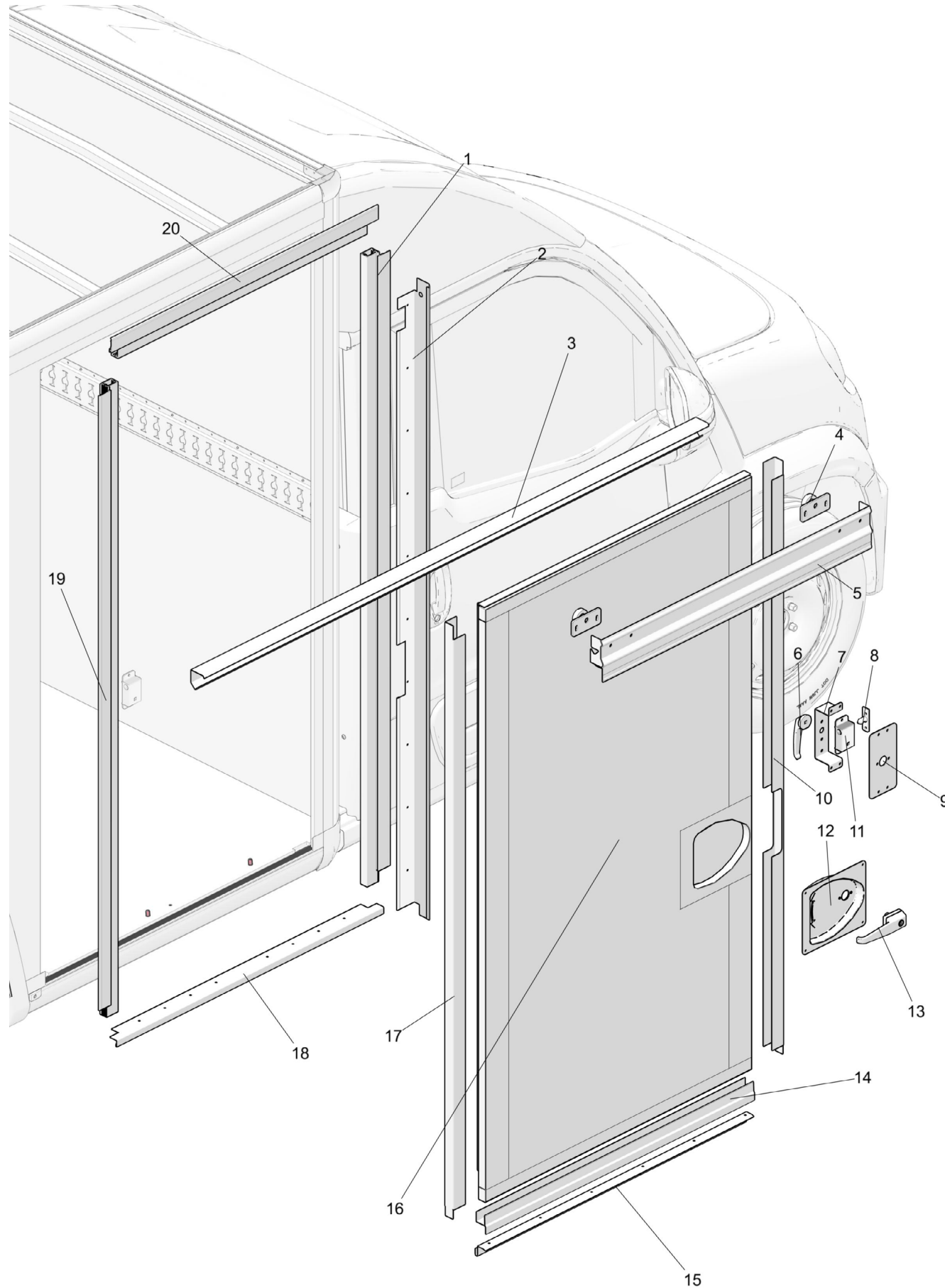
Applies to 7457001-03 [7307022-03]

Ref.	Part No.	Qty	Part Description	Notes
1	2101217	1	LEFT PANEL	
2	7002472	1	LASHING RAIL UNIV VAN 8M3 G6	
3	4151116	6	PLASTIC PLUG	
4	4151113	4	RING LASHING RAIL VAN 8M3 G6	
5	7002471	1	LASHING RAIL UNIV FRONT VAN 8M3 G6	
6	2101218	1	FRONT PANEL	
7	2101219	1	RIGHT PANEL	
8	6112351	1	FRONT FLOOR VAN 8M3 G6	
9	6112354	2	MUDGUARD INSIDE VAN	
10	6112352	1	REAR FLOOR VAN	
11	2101298	1	REAR PANEL	
12	7002470	1	LASHING RAIL UNIV VAN 8M3 G6	



OPTION, 9 M3 BOX VAN, LATERAL SLIDING DOOR

Applies to 7457001-03 [7307022-03]



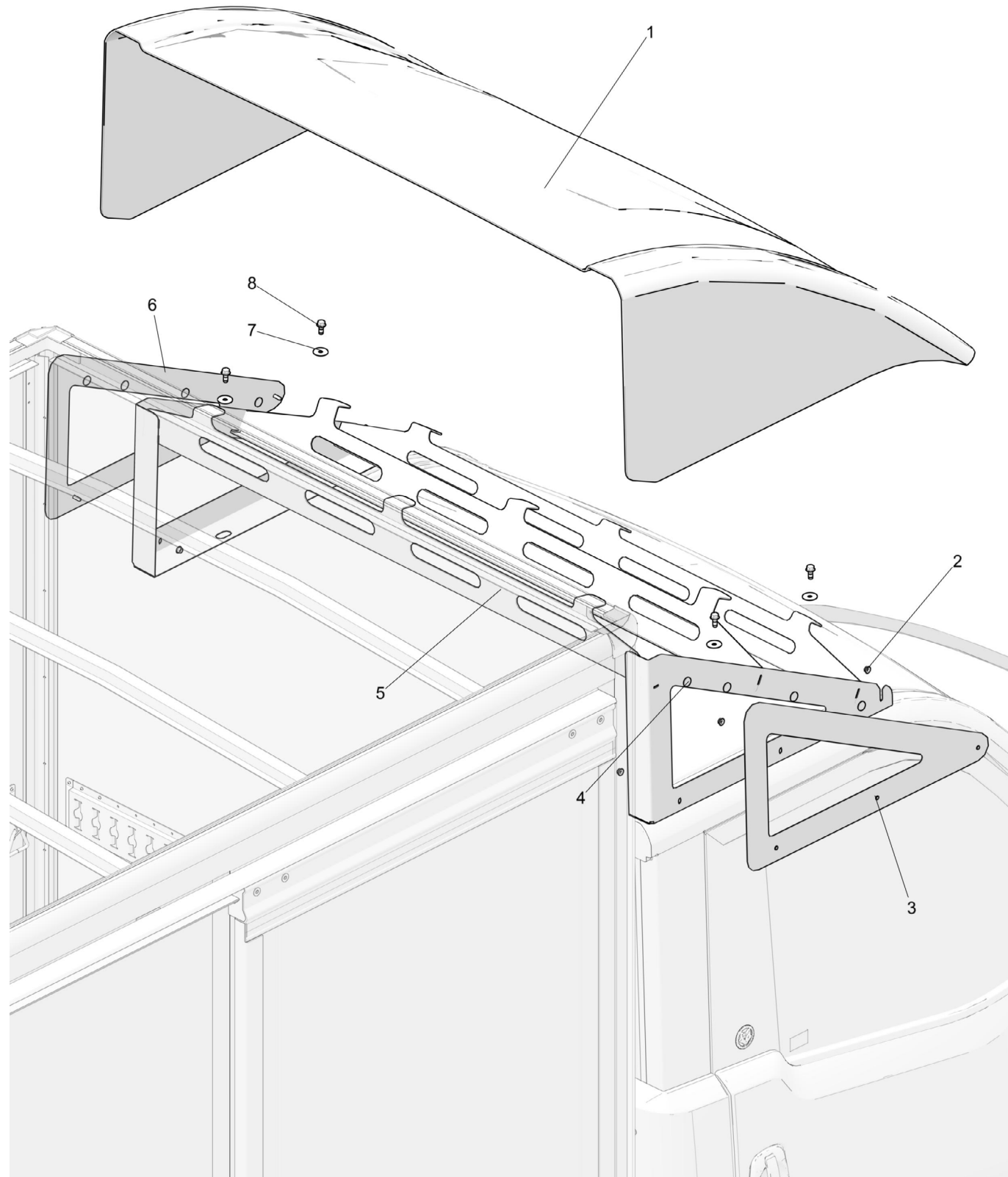
OPTION, 9 M3 BOX VAN, LATERAL SLIDING DOOR

Applies to 7457001-03 [7307022-03]

Ref.	Part No.	Qty	Part Description	Notes
1	2101236	1	FRONT SLIDING DOOR FRAME SECTION ALUMINIUM PROFILE	
2	2101237	1	LATERAL DOOR STOP SHEET METAL	
3	2101238	1	LATERAL DOOR RAIL	
4	2101239	2	LATERAL DOOR ROLLER	
5	2101240	1	LATERAL DOOR TOP PROTECTION	
6	2101241	1	LATERAL DOOR INTERIOR HANDLE	
7	2101242	1	LATERAL DOOR INTERIOR HANDLE BRACKET	
8	2101243	1	LATERAL DOOR SPOILS	
9	2101244	1	LATERAL DOOR COUNTER PLATE	
10	2101245	1	LATERAL DOOR FRONT PROTECTION	
11	2101246	1	LATERAL DOOR LOCK	
12	2101247	1	LATERAL DOOR HANDLE COVER	
13	2101248	1	LATERAL DOOR EXTERIOR HANDLE	
14	2101249	1	LATERAL DOOR BOTTOM PROTECTION	
15	2101250	1	LATERAL DOOR GUIDED RAIL	
16	2101251	1	SLIDING DOOR PANEL	
17	2101252	1	LATERAL DOOR REAR PROTECTION	
18	2101253	1	LATERAL DOOR GUIDING RAIL	
19	2101254	1	REAR SLIDING DOOR FRAME SECTION ALUMINIUM PROFILE	
20	2101255	1	TOP SLIDING DOOR FRAME SECTION ALUMINIUM PROFILE	

OPTION, 9 M3 BOX VAN, AIR DEFLECTOR

Applies to 7457001-03 [7307022-03]



OPTION, 9 M3 BOX VAN, AIR DEFLECTOR

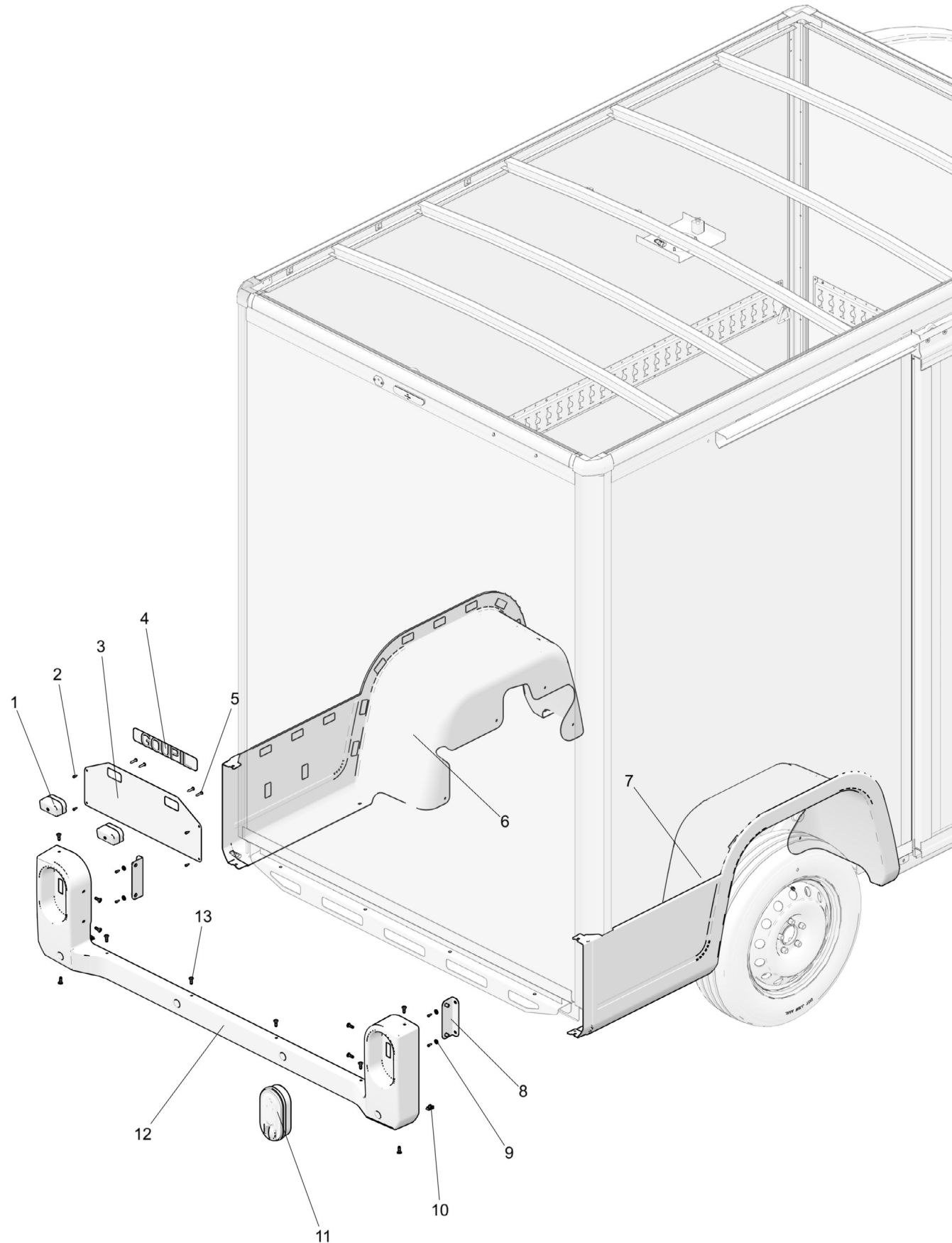
Applies to 7457001-03 [7307022-03]

Ref.	Part No.	Qty	Part Description	Notes
1	6207663	1	DEFLECTOR	
2	5205002	6	NUT	
3	6004689	1	RH WIND DEFLECTOR INNER PANEL	
4	4250137	8	DISC	
5	6004690	1	WIND DEFLECTOR BRACKET	
6	6004688	1	LH WIND DEFLECTOR INNER PANEL	
7	5300030	4	WASHER	
8	5055130	4	SCREW	



OPTION, 9 M3 BOX VAN, REAR BUMPERS

Applies to 7457001-03 [7307022-03]



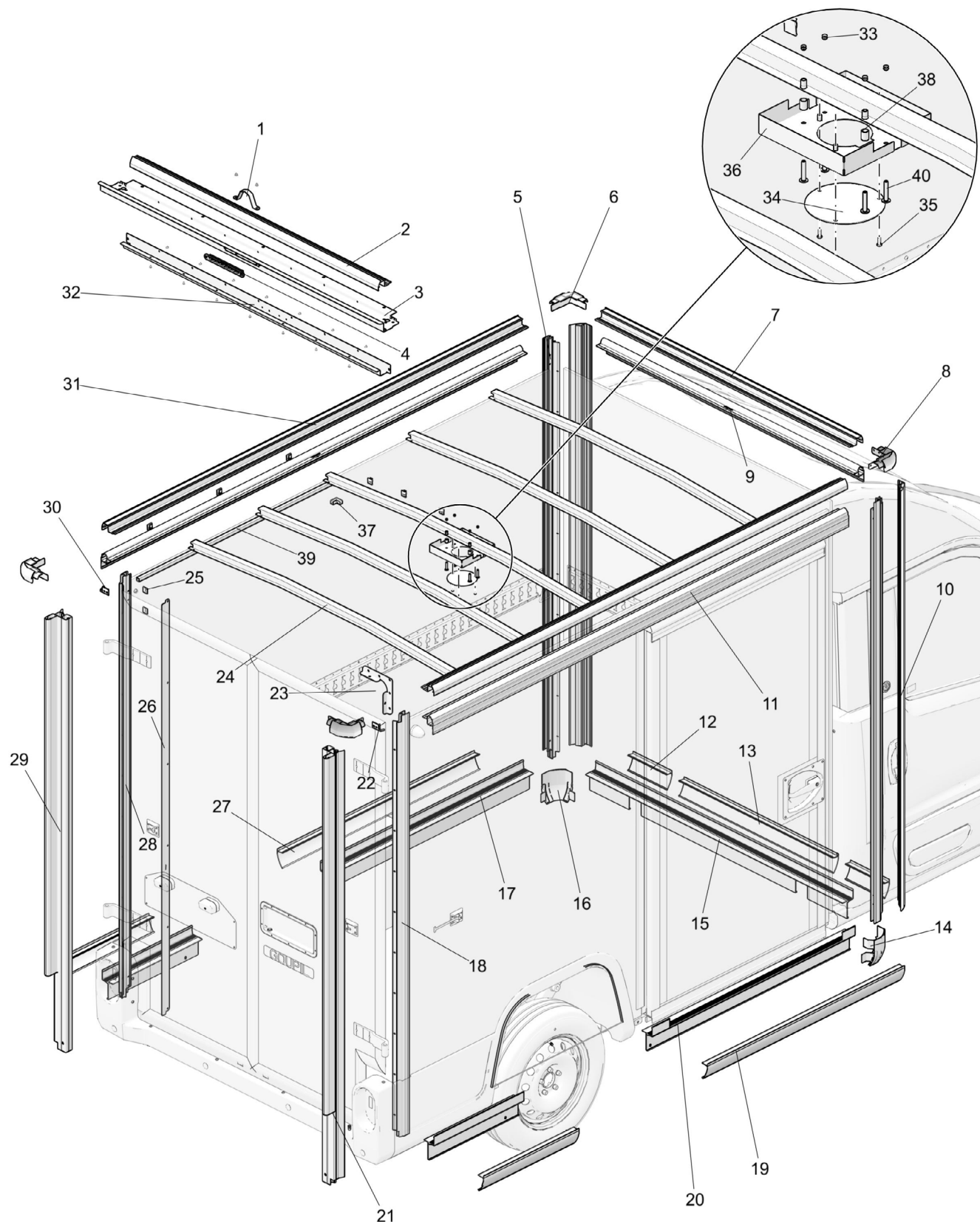
OPTION, 9 M3 BOX VAN, REAR BUMPERS

Applies to 7457001-03 [7307022-03]

Ref.	Part No.	Qty	Part Description	Notes
1	3550136	2	LIGHT	
2	5100077	8	BOLT	
3	6112343	1	SUPPORT LP VAN 8M3 G6	
4	6500595	1	STICKER	
5	5100076	4	BOLT	
6	7140840	1	REAR LEFT VAN MUDGUARD	
7	7140841	1	REAR RIGHT VAN MUDGUARD	
8	6004589	2	REAR BUMPER BRKT	
9	5300017	4	WASHER	
10	5250004	4	NUT	
11	3550142	1	REAR LIGHT (VERTICAL)	FOR VAN OPTION ONLY
12	6207665	1	REAR BUMPER VAN 8M3 G6	
13	5055117	12	SCREW	

OPTION, 9 M3 BOX VAN, PROFILES

Applies to 7457001-03 [7307023-03]



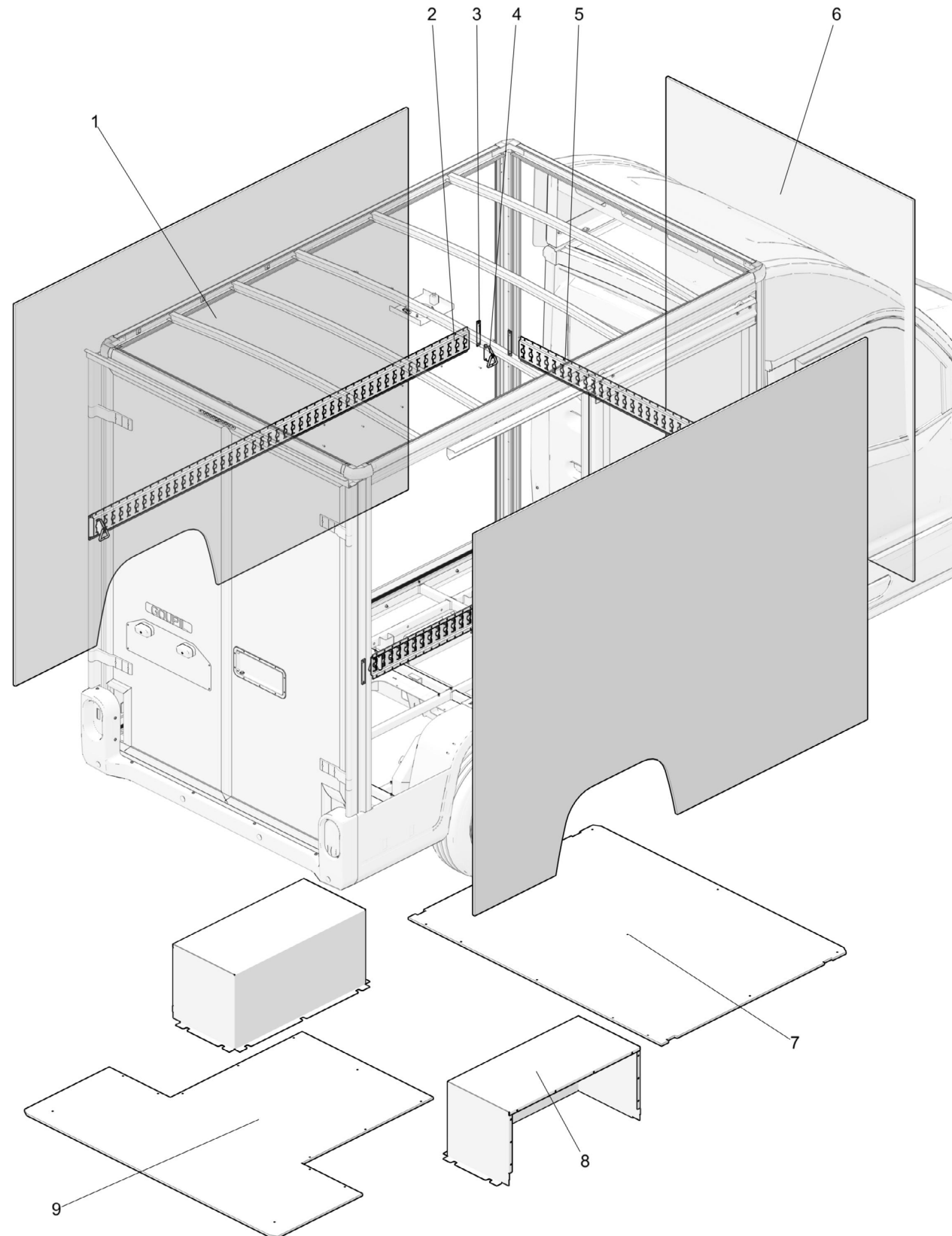
OPTION, 9 M3 BOX VAN, PROFILES

Applies to 7457001-03 [7307023-03]

Ref.	Part No.	Qty	Part Description	Notes
1	2101187	1	HANDLE	
2	2101188	1	UPPER REAR ALUMINIUM PROFILE	
3	2101189	1	UPPER THIRD STOP LIGHT BRACKET	
4	2101216	1	THIRD STOP LIGHT	
5	2101190	2	FRONT LATERAL ALUMINIUM PROFILE	
6	2101191	2	UPPER LEFT VAN ANGLE	
7	2101192	1	UPPER FRONT ROOF SIDE ALUMINIUM PROFILE	
8	2101193	2	UPPER RIGHT VAN ANGLE	
9	2101194	1	UPPER FRONT PANEL SIDE ALUMINIUM PROFILE	
10	2101195	2	FRONT ALUMINIUM PROFILE	
11	2101196	2	ROOF PANEL SIDE ALUMINIUM PROFILE	
12	2101197	2	FRONT LOWER LH/RH ALUMINIUM FINISH PROFILE	
13	2101198	1	FRONT LOWER CENTER ALUMINIUM FINISH PROFILE	
14	2101199	1	LOWER RIGHT VAN ANGLE	
15	2101200	1	FRONT LOWER ALUMINIUM PROFILE	
16	2101201	1	LOWER LEFT VAN ANGLE	
17	2101202	1	LEFT LOWER ALUMINIUM PROFILE	
18	2101203	1	REAR RIGHT PANEL SIDE ALUMINIUM PROFILE	
19	2101204	1	RIGHT LOWER ALUMINIUM FINISH PROFILE	
20	2101205	1	RIGHT LOWER ALUMINIUM PROFILE	
21	2101206	1	REAR RIGHT HINGE SIDE ALUMINIUM PROFILE	
22	2101207	1	RIGHT INTERFACE OF THIRD STOP LIGHT BRACKET	
23	2101208	2	REAR FRAME TOP BRACKET	
24	2101209	5	ROOF CROSS BAR	
25	3200047	8	CLIP	
26	6113046	1	CONDUIT	
27	2101210	1	LEFT LOWER ALUMINIUM FINISH PROFILE	
28	2101211	1	REAR LEFT PANEL SIDE ALUMINIUM PROFILE	
29	2101212	1	REAR LEFT HINGE SIDE ALUMINIUM PROFILE	
30	2101213	1	LEFT INTERFACE OF THIRD STOP LIGHT BRACKET	
31	2101214	2	ROOF SIDE ALUMINIUM FINISH PROFILE	
32	2101215	1	LOWER THIRD STOP LIGHT BRACKET	
33	5400021	4	STAINLESS STEEL RIVET 4.8X10	
34	3450592	1	ROOF LIGHT VAN 8M3 G6	
35	5100059	3	BOLT	
36	6004783	1	LIGHT HOLDER VAN	
37	4250278	1	FLAT CORNER	
38	5300077	4	SPACER	
39	7002630	1	CONDUIT	
40	5105118	4	BOLT	

OPTION, 9 M3 BOX VAN, PANELS AND LASHING RAILS

Applies to 7457001-03 [7307023-03]



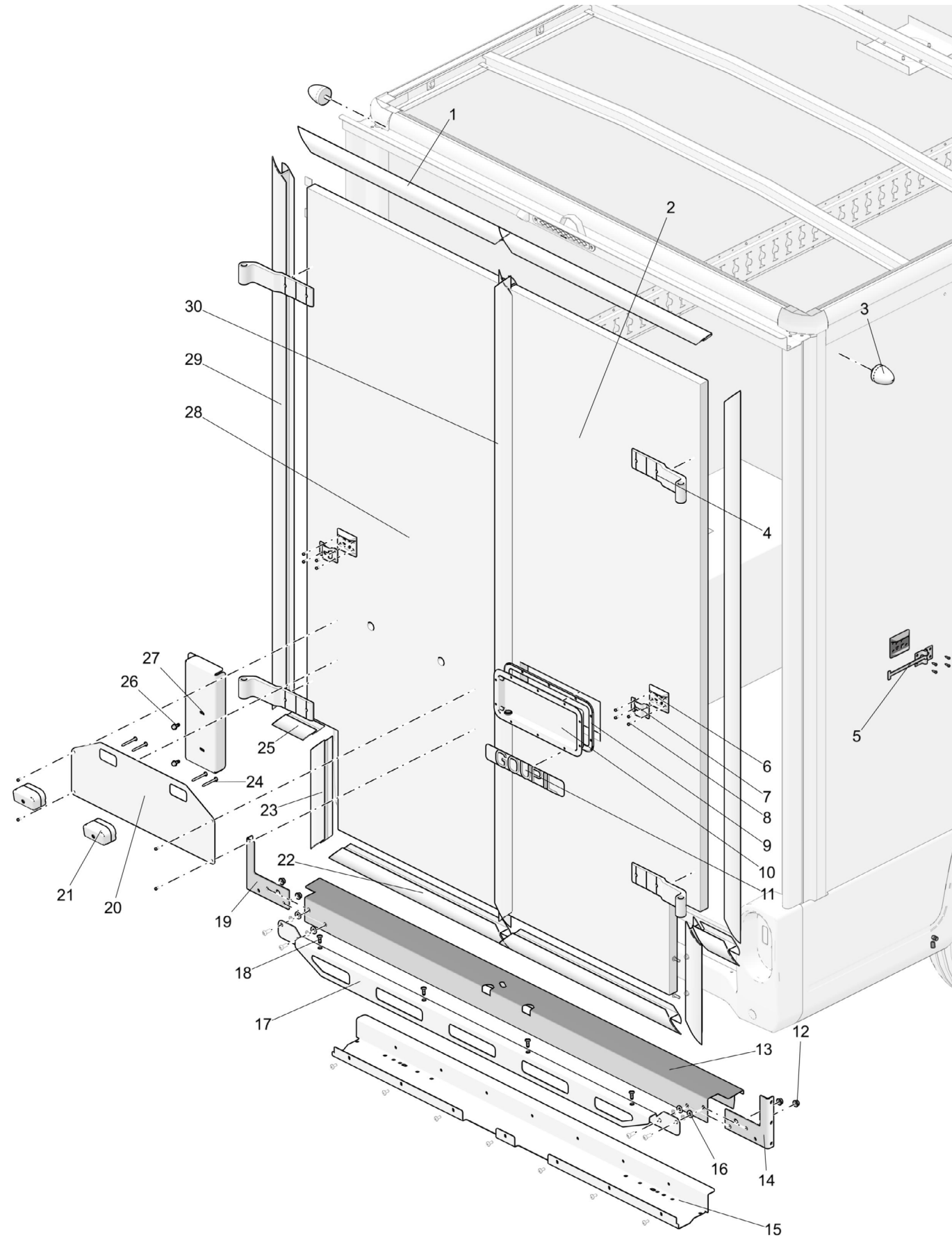
OPTION, 9 M3 BOX VAN, PANELS AND LASHING RAILS

Applies to 7457001-03 [7307023-03]

Ref.	Part No.	Qty	Part Description	Notes
1	2101217	2	SIDE PANEL	
2	7002472	2	LASHING RAIL UNIV VAN 8M3 G6	
3	4151116	6	PLASTIC PLUG	
4	4151113	4	RING LASHING RAIL VAN 8M3 G6	
5	7002471	1	LASHING RAIL UNIV FRONT VAN 8M3 G6	
6	2101218	1	FRONT PANEL	
7	6112351	1	FRONT FLOOR VAN 8M3 G6	
8	6112354	2	MUDGUARD INSIDE VAN	
9	6112352	1	REAR FLOOR VAN	

OPTION, 9 M3 BOX VAN, REAR SWINGING DOORS

Applies to 7457001-03 [7307023-03]



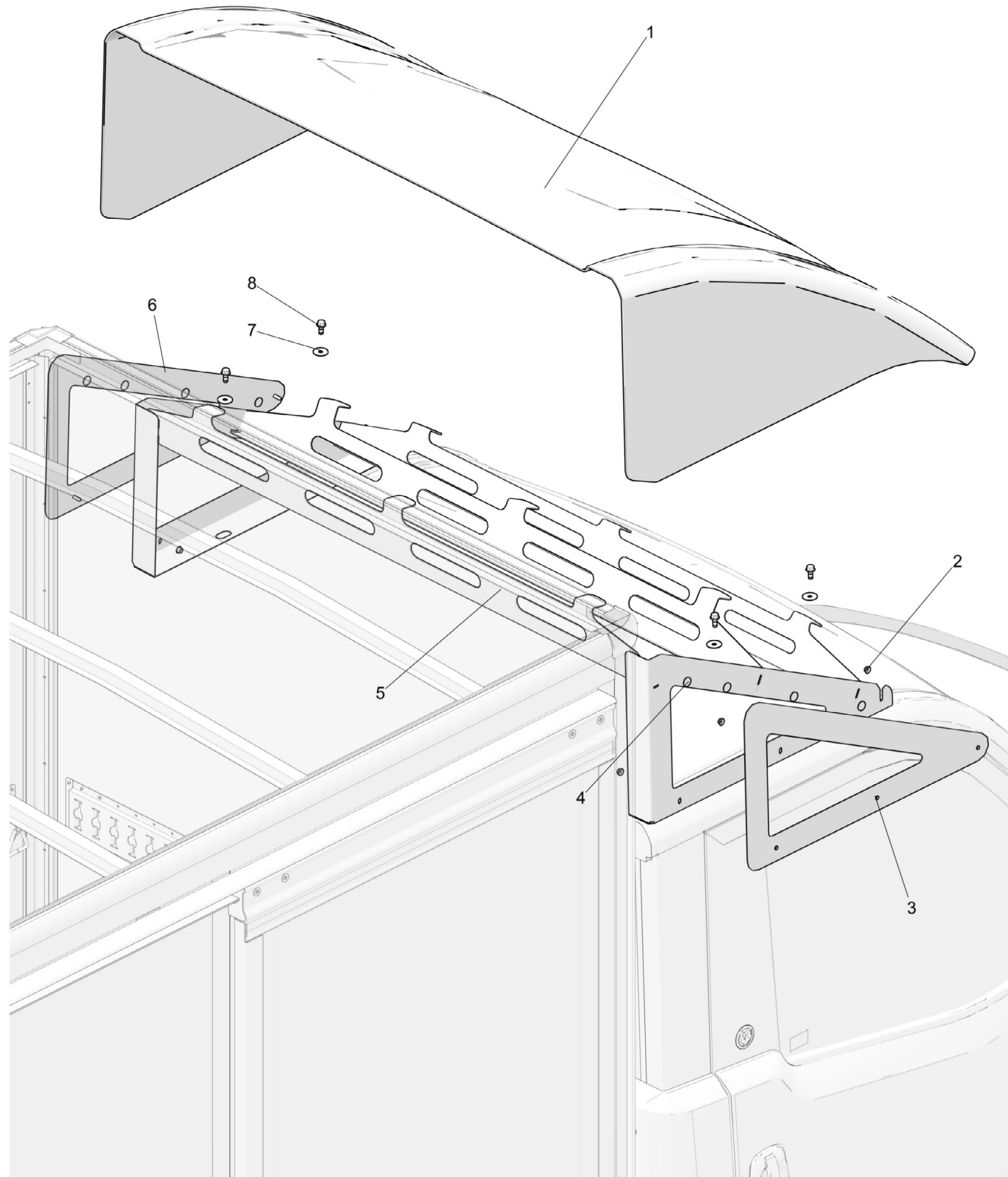
OPTION, 9 M3 BOX VAN, REAR SWINGING DOORS

Applies to 7457001-03 [7307023-03]

Ref.	Part No.	Qty	Part Description	Notes
1	2101220	1	TOP SWING DOOR SEAL	
2	2101221	1	RIGHT SWING DOOR PANEL	
3	4150096	2	PROGRESSIVE STOP	
4	2101222	4	HINGE	
5	4150651	2	DOOR RETAINING HOOK	
6	4150654	4	ELASTOMER SOLE	
7	4150735	2	ST STEEL SOCKET PLATE	
8	5100077	16	BOLT	
9	2101223	1	REAR LOCK SEAL	
10	2101224	1	REAR LOCK	
11	6500595	1	STICKER	
12	5205010	4	NUT	
13	2101225	1	REAR THRESHOLD	
14	2101226	1	RIGHT THRESHOLD BRACKET	
15	2101227	1	THRESHOLD BRACKET	
16	5300081	4	WASHERS	
17	6004590	1	REAR BUMPER BRKT	
18	5055117	4	SCREW	
19	2101228	1	LEFT THRESHOLD BRACKET	
20	6112343	1	SUPPORT LP VAN 8M3 G6	
21	3550136	2	LIGHT	
22	2101229	1	BOTTOM SWING DOOR SEAL	
23	2101230	1	VERTICAL TAILLIGHT SWING DOOR SEAL	
24	5100100	4	BOLT	
25	2101231	1	HORIZONTAL TAILLIGHT SWING DOOR SEAL	
26	5055013	2	SCREW	
27	2101232	2	TAILLIGHT BRACKET	
28	2101233	1	LEFT SWING DOOR PANEL	
29	2101234	1	VERTICAL EXTERIOR SWING DOOR SEAL	
30	2101235	1	VERTICAL INTERIOR SWING DOOR SEAL	

OPTION, 9 M3 BOX VAN, AIR DEFLECTOR

Applies to 7457001-03 [7307023-03]



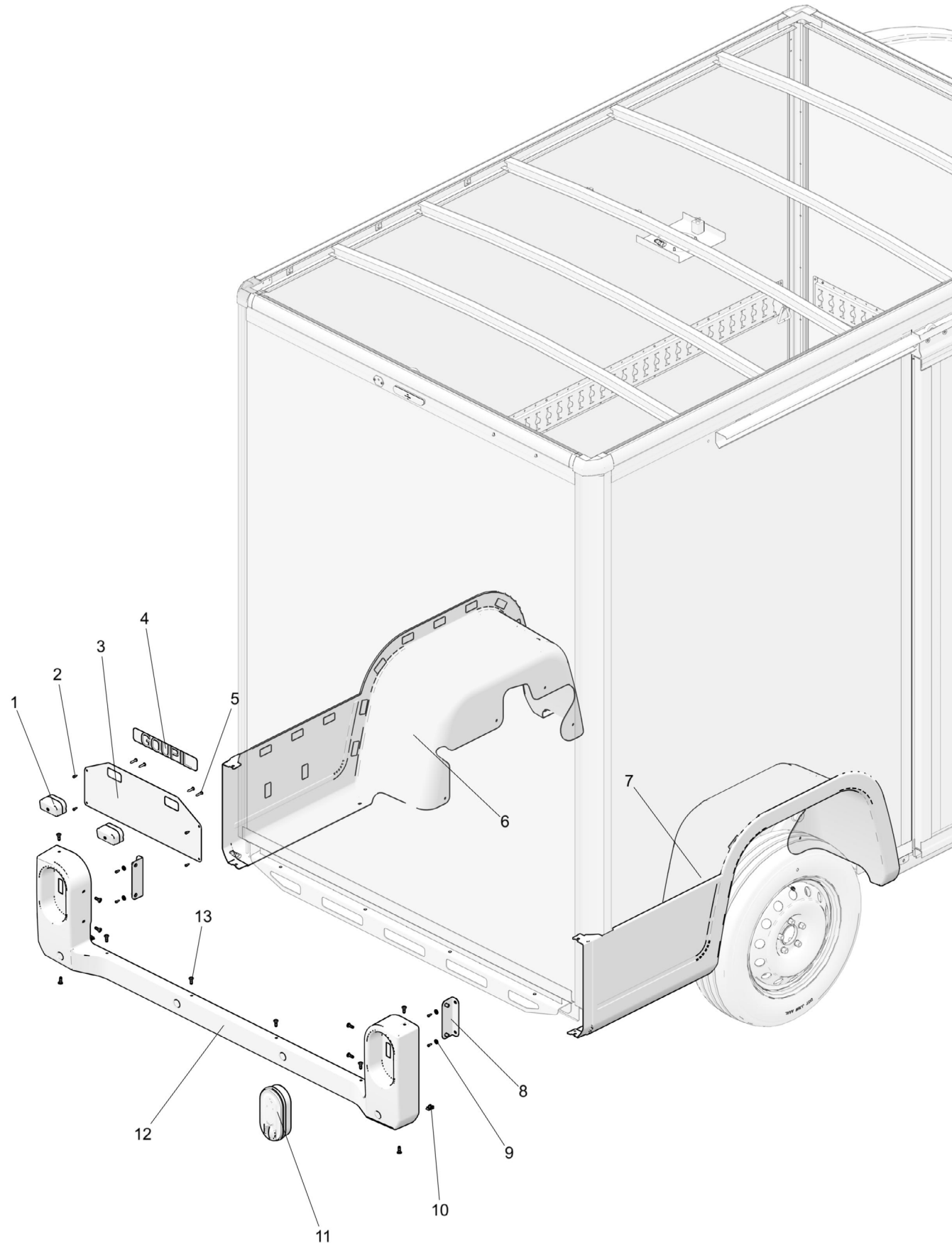
OPTION, 9 M3 BOX VAN, AIR DEFLECTOR

Applies to 7457001-03 [7307023-03]

Ref.	Part No.	Qty	Part Description	Notes
1	6207663	1	DEFLECTOR	
2	5205002	6	NUT	
3	6004689	1	RH WIND DEFLECTOR INNER PANEL	
4	4250137	8	DISC	
5	6004690	1	WIND DEFLECTOR BRACKET	
6	6004688	1	LH WIND DEFLECTOR INNER PANEL	
7	5300030	4	WASHER	
8	5055130	4	SCREW	

OPTION, 9 M3 BOX VAN, REAR BUMPERS

Applies to 7457001-03 [7307023-03]



OPTION, 9 M3 BOX VAN, REAR BUMPERS

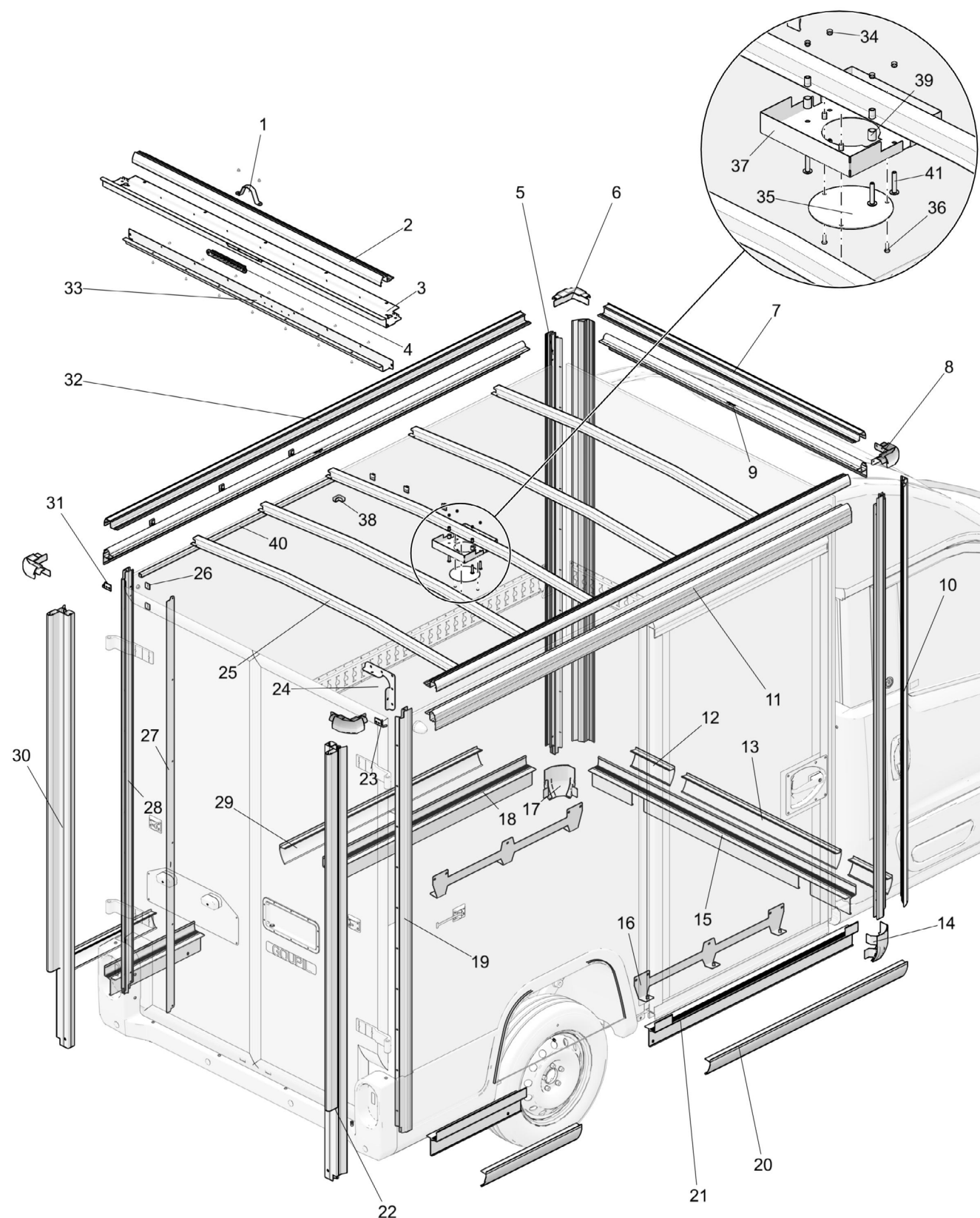
Applies to 7457001-03 [7307023-03]

Ref.	Part No.	Qty	Part Description	Notes
1	3550136	2	LIGHT	
2	5100077	8	BOLT	
3	6112343	1	SUPPORT LP VAN 8M3 G6	
4	6500595	1	STICKER	
5	5100076	4	BOLT	
6	7140840	1	REAR LEFT VAN MUDGUARD	
7	7140841	1	REAR RIGHT VAN MUDGUARD	
8	6004589	2	REAR BUMPER BRKT	
9	5300017	4	WASHER	
10	5250004	4	NUT	
11	3550142	1	REAR LIGHT (VERTICAL)	FOR VAN OPTION ONLY
12	6207665	1	REAR BUMPER VAN 8M3 G6	
13	5055117	12	SCREW	



OPTION, 9 M3 BOX VAN, PROFILES

Applies to 7457001-03 [7307024-03]



OPTION, 9 M3 BOX VAN, PROFILES

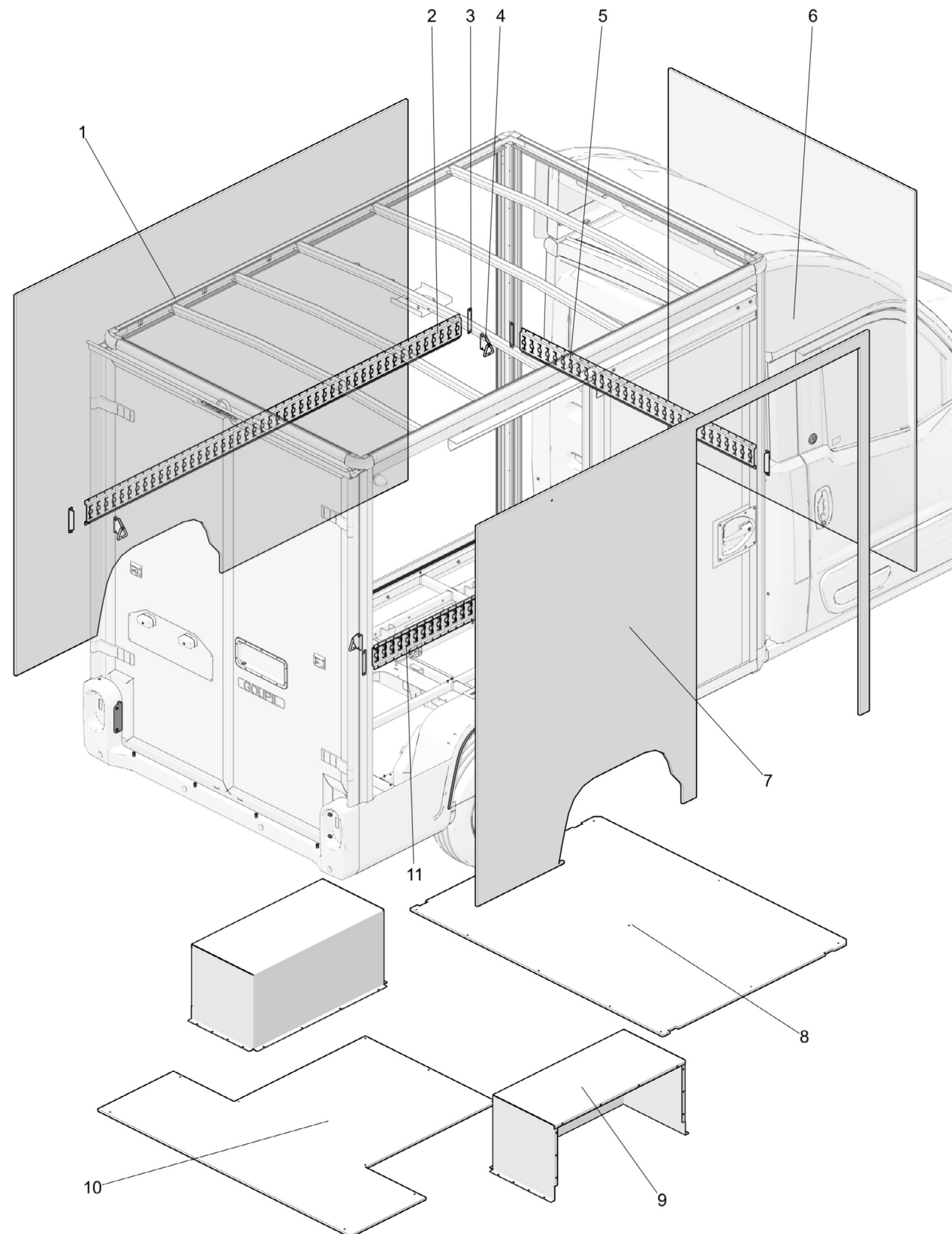
Applies to 7457001-03 [7307024-03]

Ref.	Part No.	Qty	Part Description	Notes
1	2101187	1	HANDLE	
2	2101188	1	UPPER REAR ALUMINIUM PROFILE	
3	2101189	1	UPPER THIRD STOP LIGHT BRACKET	
4	2101216	1	THIRD STOP LIGHT	
5	2101190	2	FRONT LATERAL ALUMINIUM PROFILE	
6	2101191	2	UPPER LEFT VAN ANGLE	
7	2101192	1	UPPER FRONT ROOF SIDE ALUMINIUM PROFILE	
8	2101193	2	UPPER RIGHT VAN ANGLE	
9	2101194	1	UPPER FRONT PANEL SIDE ALUMINIUM PROFILE	
10	2101195	2	FRONT ALUMINIUM PROFILE	
11	2101196	2	ROOF PANEL SIDE ALUMINIUM PROFILE	
12	2101197	2	FRONT LOWER LH/RH ALUMINIUM FINISH PROFILE	
13	2101198	1	FRONT LOWER CENTER ALUMINIUM FINISH PROFILE	
14	2101199	1	LOWER RIGHT VAN ANGLE	
15	2101200	1	FRONT LOWER ALUMINIUM PROFILE	
16	6004685	2	CHANNEL HOLDER VAN	
17	2101201	1	LOWER LEFT VAN ANGLE	
18	2101202	1	LEFT LOWER ALUMINIUM PROFILE	
19	2101203	1	REAR RIGHT PANEL SIDE ALUMINIUM PROFILE	
20	2101204	1	RIGHT LOWER ALUMINIUM FINISH PROFILE	
21	2101205	1	RIGHT LOWER ALUMINIUM PROFILE	
22	2101206	1	REAR RIGHT HINGE SIDE ALUMINIUM PROFILE	
23	2101207	1	RIGHT INTERFACE OF THIRD STOP LIGHT BRACKET	
24	2101208	2	REAR FRAME TOP BRACKET	
25	2101209	5	ROOF CROSS BAR	
26	3200047	8	CLIP	
27	6113046	1	CONDUIT	
28	2101211	1	REAR LEFT PANEL SIDE ALUMINIUM PROFILE	
29	2101210	1	LEFT LOWER ALUMINIUM FINISH PROFILE	
30	2101212	1	REAR LEFT HINGE SIDE ALUMINIUM PROFILE	
31	2101213	1	LEFT INTERFACE OF THIRD STOP LIGHT BRACKET	
32	2101214	2	ROOF SIDE ALUMINIUM FINISH PROFILE	
33	2101215	1	LOWER THIRD STOP LIGHT BRACKET	
34	5400021	4	STAINLESS STEEL RIVET 4.8X10	
35	3450592	1	ROOF LIGHT VAN 8M3 G6	
36	5100059	3	BOLT	
37	6004783	1	LIGHT HOLDER VAN	
38	4250278	1	FLAT CORNER	
39	5300077	4	SPACER	
40	7002630	1	CONDUIT	
41	5105118	4	BOLT	



OPTION, 9 M3 BOX VAN, PANELS AND LASHING RAILS

Applies to 7457001-03 [7307024-03]



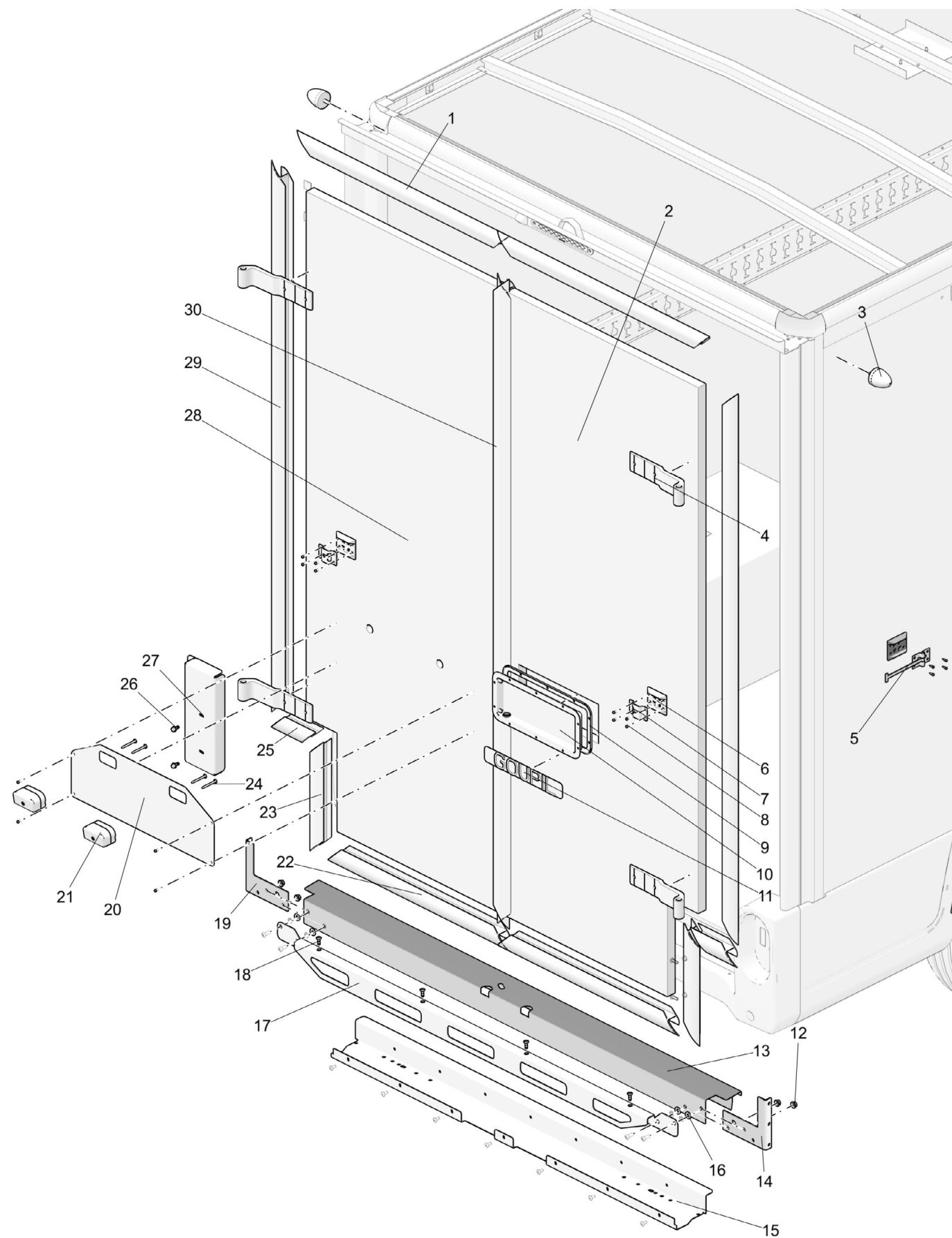
OPTION, 9 M3 BOX VAN, PANELS AND LASHING RAILS

Applies to 7457001-03 [7307024-03]

Ref.	Part No.	Qty	Part Description	Notes
1	2101217	1	LEFT PANEL	
2	7002472	1	LASHING RAIL UNIV VAN 8M3 G6	
3	4151116	6	PLASTIC PLUG	
4	4151113	4	RING LASHING RAIL VAN 8M3 G6	
5	7002471	1	LASHING RAIL UNIV FRONT VAN 8M3 G6	
6	2101218	1	FRONT PANEL	
7	2101219	1	RIGHT PANEL	
8	6112351	1	FRONT FLOOR VAN 8M3 G6	
9	6112354	2	MUDGUARD INSIDE VAN	
10	6112352	1	REAR FLOOR VAN	
11	7002470	1	LASHING RAIL UNIV VAN 8M3 G6	

OPTION, 9 M3 BOX VAN, REAR SWINGING DOORS

Applies to 7457001-03 [7307024-03]



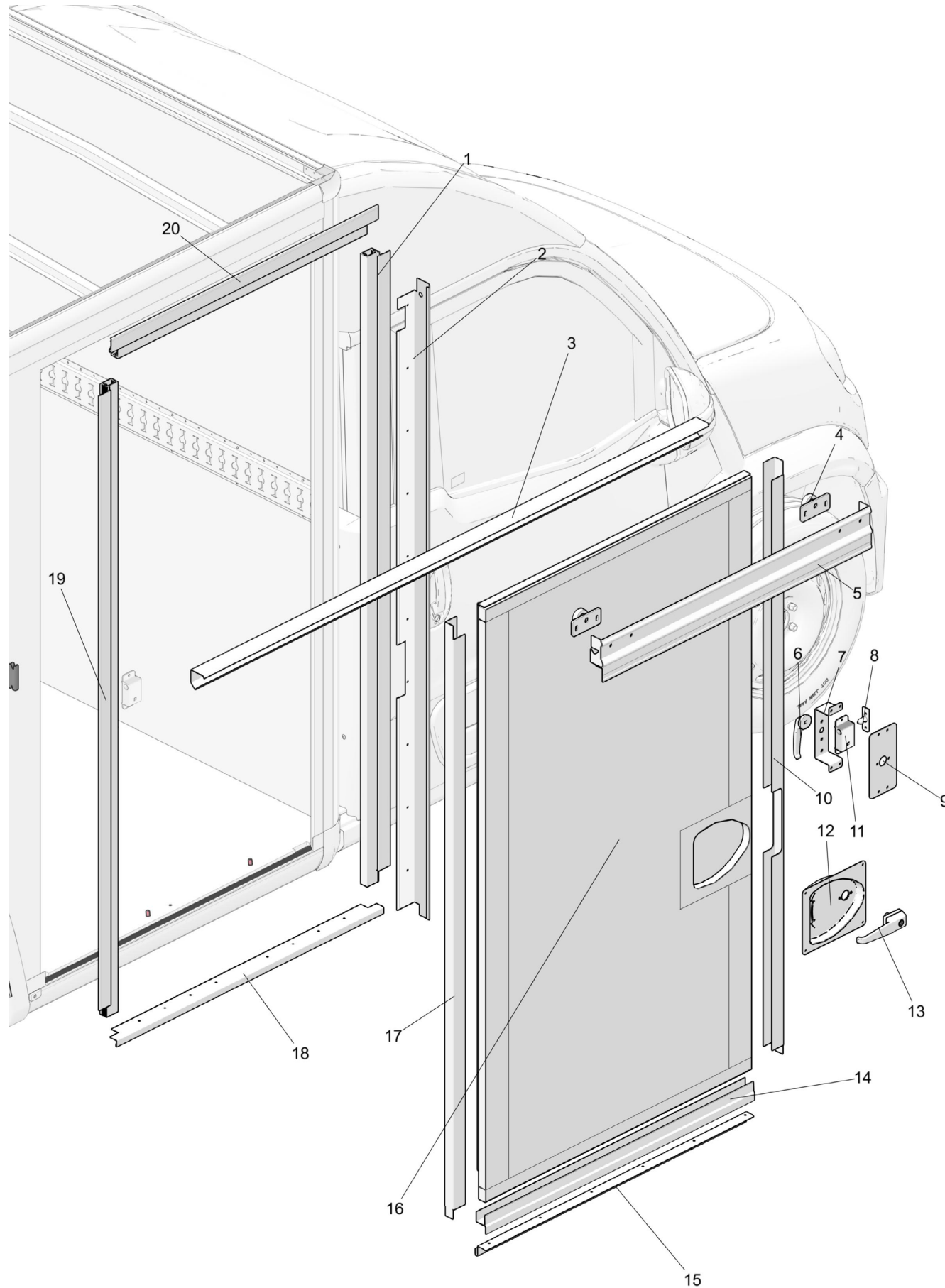
OPTION, 9 M3 BOX VAN, REAR SWINGING DOORS

Applies to 7457001-03 [7307024-03]

Ref.	Part No.	Qty	Part Description	Notes
1	2101220	1	TOP SWING DOOR SEAL	
2	2101221	1	RIGHT SWING DOOR PANEL	
3	4150096	2	PROGRESSIVE STOP	
4	2101222	4	HINGE	
5	4150651	2	DOOR RETAINING HOOK	
6	4150654	4	ELASTOMER SOLE	
7	4150735	2	ST STEEL SOCKET PLATE	
8	5100077	16	BOLT	
9	2101223	1	REAR LOCK SEAL	
10	2101224	1	REAR LOCK	
11	6500595	1	STICKER	
12	5205010	4	NUT	
13	2101225	1	REAR THRESHOLD	
14	2101226	1	RIGHT THRESHOLD BRACKET	
15	2101227	1	THRESHOLD BRACKET	
16	5300081	4	WASHERS	
17	6004590	1	REAR BUMPER BRKT	
18	5055117	4	SCREW	
19	2101228	1	LEFT THRESHOLD BRACKET	
20	6112343	1	SUPPORT LP VAN 8M3 G6	
21	3550136	2	LIGHT	
22	2101229	1	BOTTOM SWING DOOR SEAL	
23	2101230	1	VERTICAL TAILLIGHT SWING DOOR SEAL	
24	5100100	4	BOLT	
25	2101231	1	HORIZONTAL TAILLIGHT SWING DOOR SEAL	
26	5055013	2	SCREW	
27	2101232	2	TAILLIGHT BRACKET	
28	2101233	1	LEFT SWING DOOR PANEL	
29	2101234	1	VERTICAL EXTERIOR SWING DOOR SEAL	
30	2101235	1	VERTICAL INTERIOR SWING DOOR SEAL	

OPTION, 9 M3 BOX VAN, LATERAL SLIDING DOOR

Applies to 7457001-03 [7307024-03]



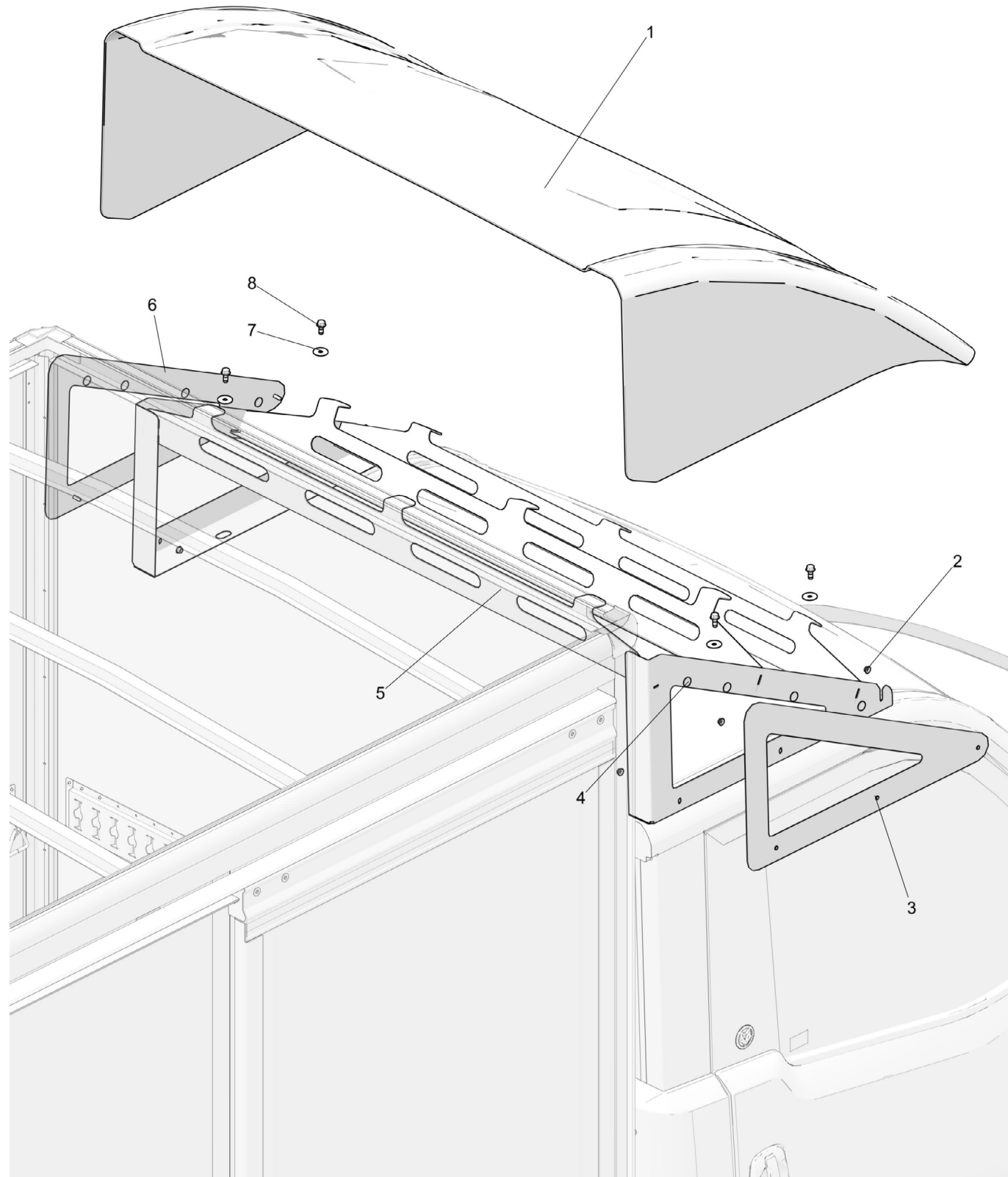
OPTION, 9 M3 BOX VAN, LATERAL SLIDING DOOR

Applies to 7457001-03 [7307024-03]

Ref.	Part No.	Qty	Part Description	Notes
1	2101236	1	FRONT SLIDING DOOR FRAME SECTION ALUMINIUM PROFILE	
2	2101237	1	LATERAL DOOR STOP SHEET METAL	
3	2101238	1	LATERAL DOOR RAIL	
4	2101239	2	LATERAL DOOR ROLLER	
5	2101240	1	LATERAL DOOR TOP PROTECTION	
6	2101241	1	LATERAL DOOR INTERIOR HANDLE	
7	2101242	1	LATERAL DOOR INTERIOR HANDLE BRACKET	
8	2101243	1	LATERAL DOOR SPOILS	
9	2101244	1	LATERAL DOOR COUNTER PLATE	
10	2101245	1	LATERAL DOOR FRONT PROTECTION	
11	2101246	1	LATERAL DOOR LOCK	
12	2101247	1	LATERAL DOOR HANDLE COVER	
13	2101248	1	LATERAL DOOR EXTERIOR HANDLE	
14	2101249	1	LATERAL DOOR BOTTOM PROTECTION	
15	2101250	1	LATERAL DOOR GUIDED RAIL	
16	2101251	1	SLIDING DOOR PANEL	
17	2101252	1	LATERAL DOOR REAR PROTECTION	
18	2101253	1	LATERAL DOOR GUIDING RAIL	
19	2101254	1	REAR SLIDING DOOR FRAME SECTION ALUMINIUM PROFILE	
20	2101255	1	TOP SLIDING DOOR FRAME SECTION ALUMINIUM PROFILE	

OPTION, 9 M3 BOX VAN, AIR DEFLECTOR

Applies to 7457001-03 [7307024-03]



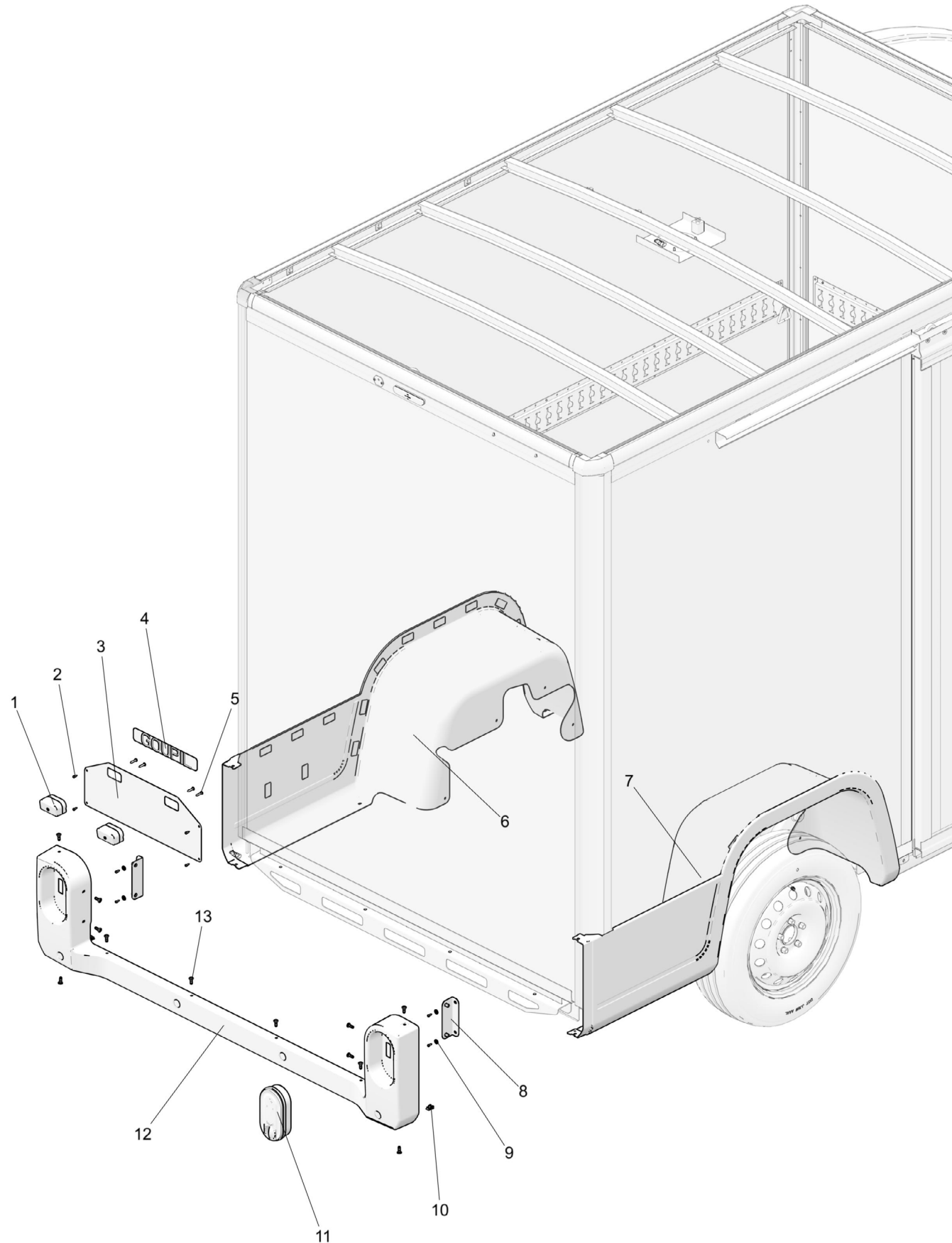
OPTION, 9 M3 BOX VAN, AIR DEFLECTOR

Applies to 7457001-03 [7307024-03]

Ref.	Part No.	Qty	Part Description	Notes
1	6207663	1	DEFLECTOR	
2	5205002	6	NUT	
3	6004689	1	RH WIND DEFLECTOR INNER PANEL	
4	4250137	8	DISC	
5	6004690	1	WIND DEFLECTOR BRACKET	
6	6004688	1	LH WIND DEFLECTOR INNER PANEL	
7	5300030	4	WASHER	
8	5055130	4	SCREW	

OPTION, 9 M3 BOX VAN, REAR BUMPERS

Applies to 7457001-03 [7307024-03]



OPTION, 9 M3 BOX VAN, REAR BUMPERS

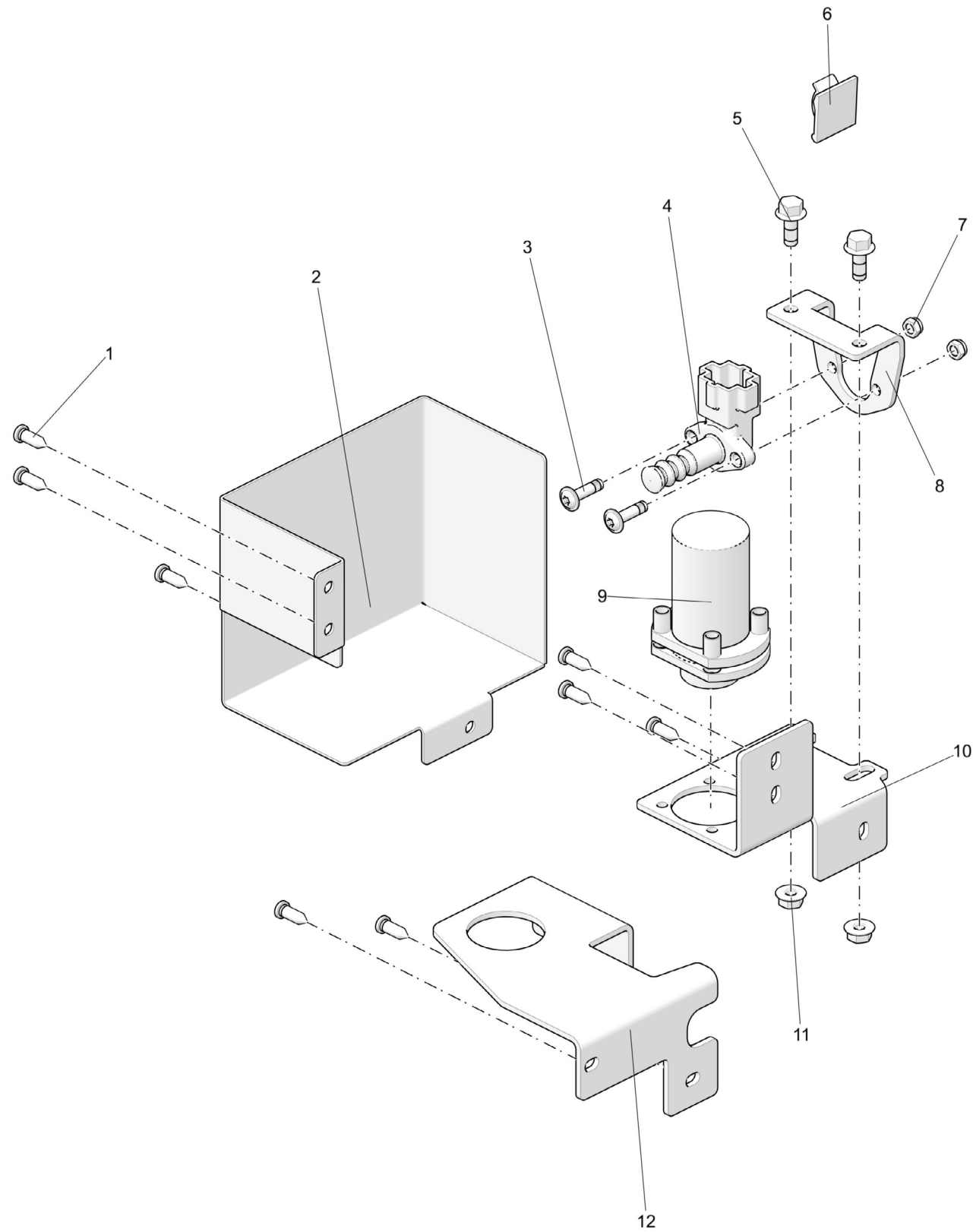
Applies to 7457001-03 [7307024-03]

Ref.	Part No.	Qty	Part Description	Notes
1	3550136	2	LIGHT	
2	5100077	8	BOLT	
3	6112343	1	SUPPORT LP VAN 8M3 G6	
4	6500595	1	STICKER	
5	5100076	4	BOLT	
6	7140840	1	REAR LEFT VAN MUDGUARD	
7	7140841	1	REAR RIGHT VAN MUDGUARD	
8	6004589	2	REAR BUMPER BRKT	
9	5300017	4	WASHER	
10	5250004	4	NUT	
11	3550142	1	REAR LIGHT (VERTICAL)	FOR VAN OPTION ONLY
12	6207665	1	REAR BUMPER VAN 8M3 G6	
13	5055117	12	SCREW	



OPTION, CENTRAL LOCKING SYSTEM FOR RIGHT-HAND SIDE SLIDING DOOR

Applies to 7457001-03 [7307026-03]



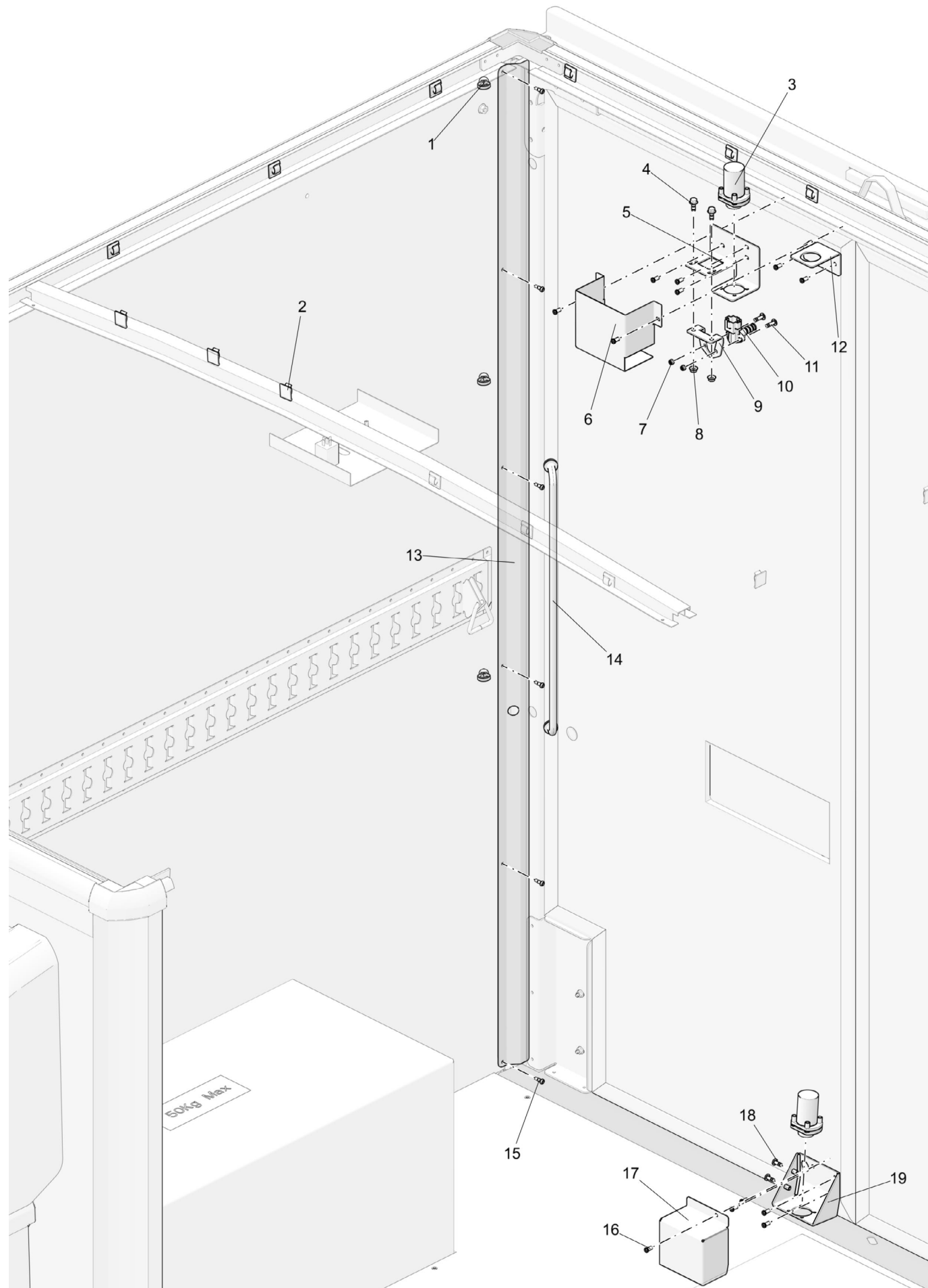
OPTION, CENTRAL LOCKING SYSTEM FOR RIGHT-HAND SIDE SLIDING DOOR

Applies to 7457001-03 [7307026-03]

Ref.	Part No.	Qty	Part Description	Notes
1	5100131	8	BOLT	
2	6112340	1	BOX CL SD VAN 8M3 G6	
3	5105005	2	SCREW	
4	3450513	1	HAND BRAKE SENSOR	
5	5055013	2	SCREW	
6	3200047	1	CLIP	
7	5150007	2	M5 LOCK NUT	
8	6112336	1	SUPPORT DS VAN 8M3 G6	
9	3450591	1	KIT CL 12V VAN 8M3 G6	
10	6112334	1	SUPPORT CL SD VAN 8M3 G6	
11	5205002	8	NUT	
12	6113047	1	ELOCKING HOLDER	

OPTION, CENTRAL LOCKING SYSTEM FOR REAR SWINGING DOORS

Applies to 7457001-03 [7307036-03]



OPTION, CENTRAL LOCKING SYSTEM FOR REAR SWINGING DOORS

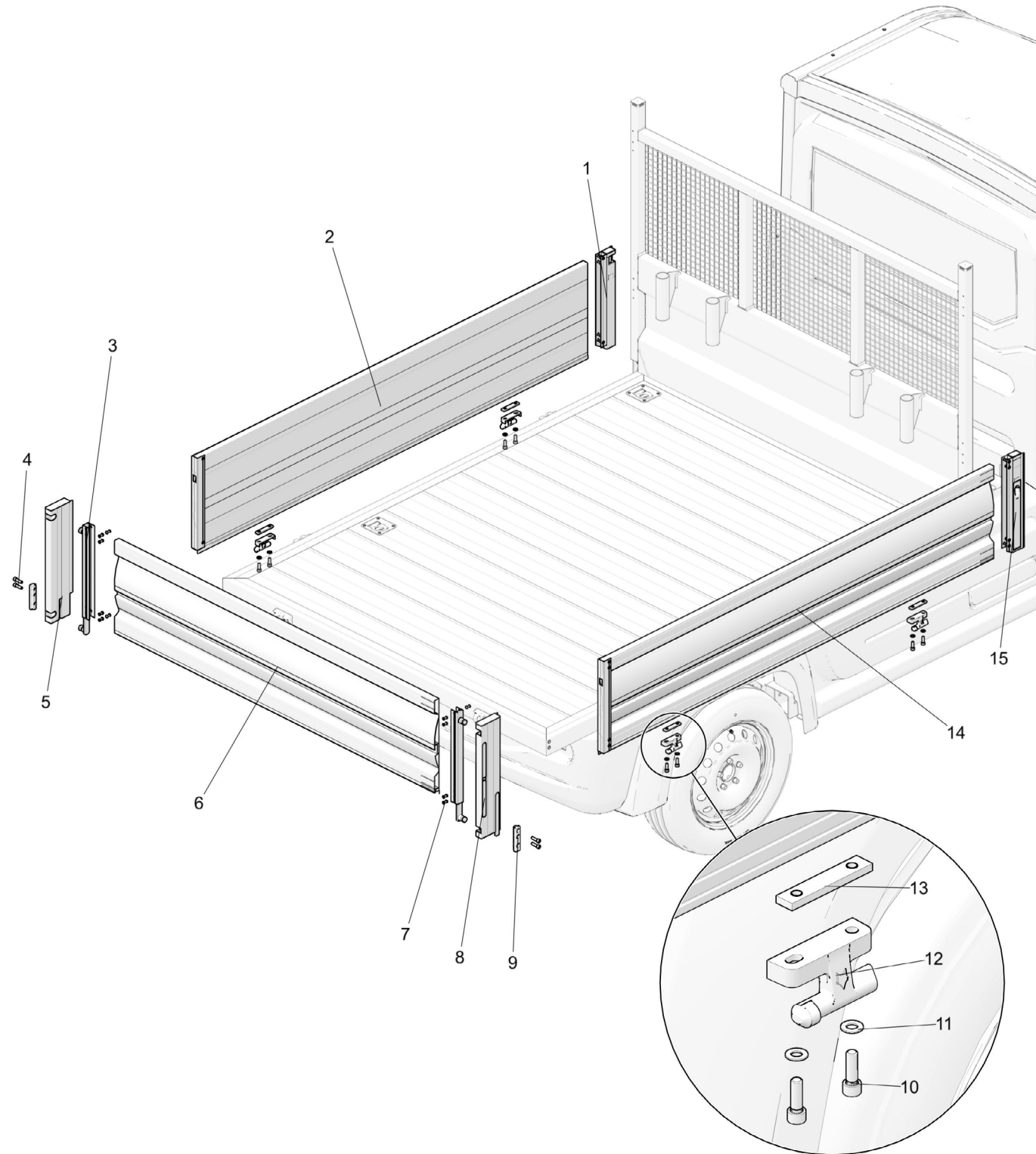
Applies to 7457001-03 [7307036-03]

Ref.	Part No.	Qty	Part Description	Notes
1	3200045	3	COLLAR	
2	3200047	10	CLIP	
3	3450591	3	KIT CL 12V VAN 8M3 G6	
4	5055013	4	SCREW	
5	6112337	1	SUPPORT CL RSD VAN 8M3 G6	
6	6112341	1	BOX RSD A VAN 8M3 G6	
7	5150007	4	M5 LOCK NUT	
8	5205002	10	NUT	
9	6112336	2	SUPPORT DS VAN 8M3 G6	
10	3450513	2	HAND BRAKE SENSOR	
11	5105005	4	SCREW	
12	6112338	1	SUPPORT LOCK RSD VAN 8M3 G6	
13	6113050	1	CONDUIT	
14	6200841	1	VAN HARNESS DOOR BOOT	
15	5100014	6	BOLT	
16	5100131	20	BOLT	
17	6113049	1	ELOCKING COVER	
18	5105079	2	SCREW	
19	6004728	1	ELOCKING HOLDER	



OPTION, COMBINED REAR TIPPING GATE

Applies to 7457001-03 [7307037-02]



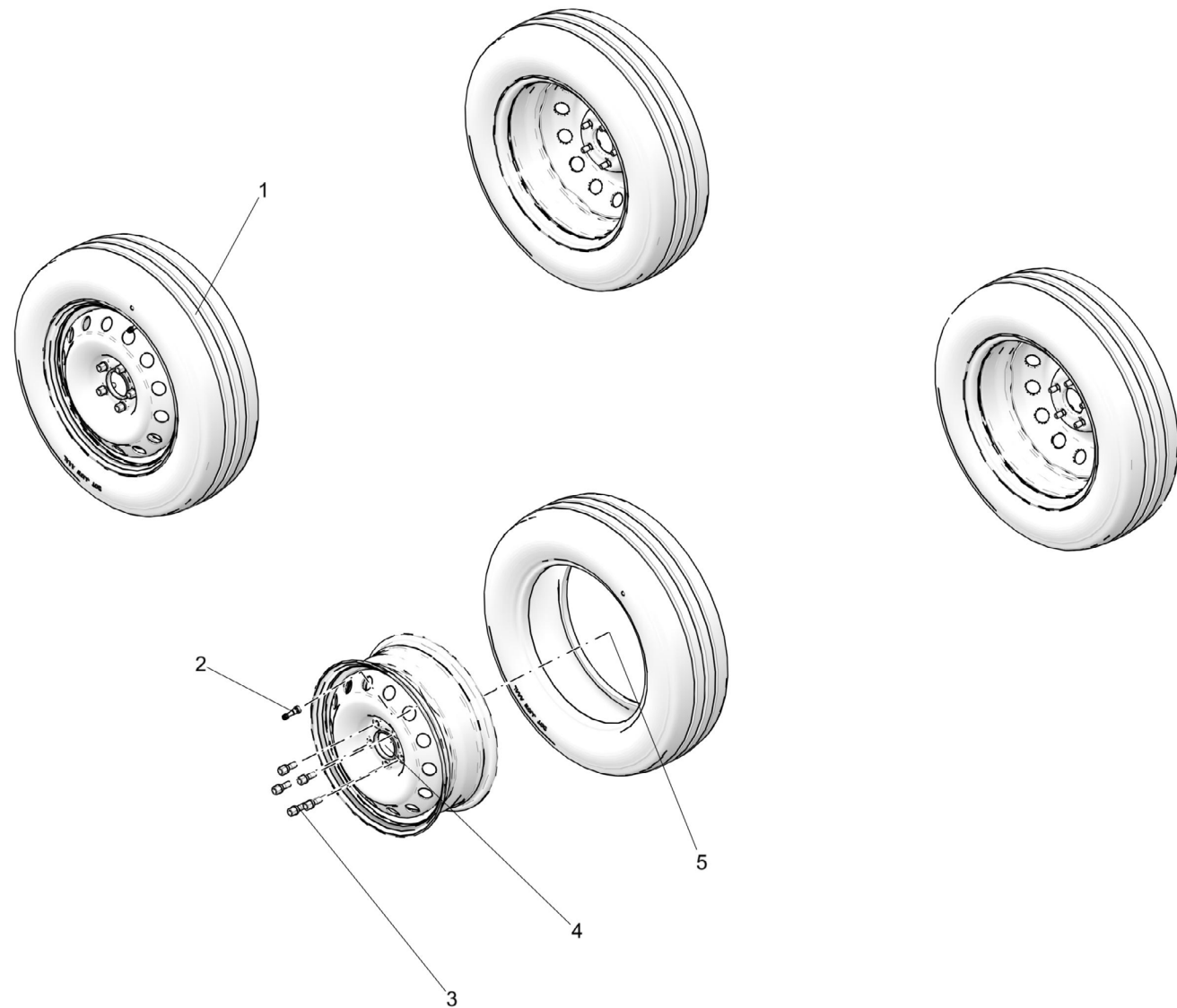
OPTION, COMBINED REAR TIPPING GATE

Applies to 7457001-03 [7307037-02]

Ref.	Part No.	Qty	Part Description	Notes
1	2100988	1	LH SIDE WALL TIP	
2	4200535	1	LH COMBINE SIDE BOARD UP PIVOT	INCLUDES 1, 10, 11, 12, 13
3	2101037	2	REAR WALL TIP	
4	5005005	4	SCREW	
5	4151111	1	LH REMOVABLE PILLAR	
6	4200532	1	REAR BOARD UP PIVOT	INCLUDES 3, 7
7	5400020	12	RIVET	
8	4151112	1	RH REMOVABLE PILLAR	
9	4151110	2	BRACKET REMOVABLE PILLAR	
10	5000017	2	BOLT	
11	5300007	2	M8 WASHER	
12	2100387	1	HINGE - TRUNNION	
13	2100475	1	BAR STRIP	
14	4200536	2	RH COMBINE SIDE BOARD UP PIVOT	INCLUDES 15, 10, 11, 12, 13
15	2100989	1	RH SIDE WALL TIP	

OPTION, WINTER TYRES

Applies to 7457001-03 [7307038-01]



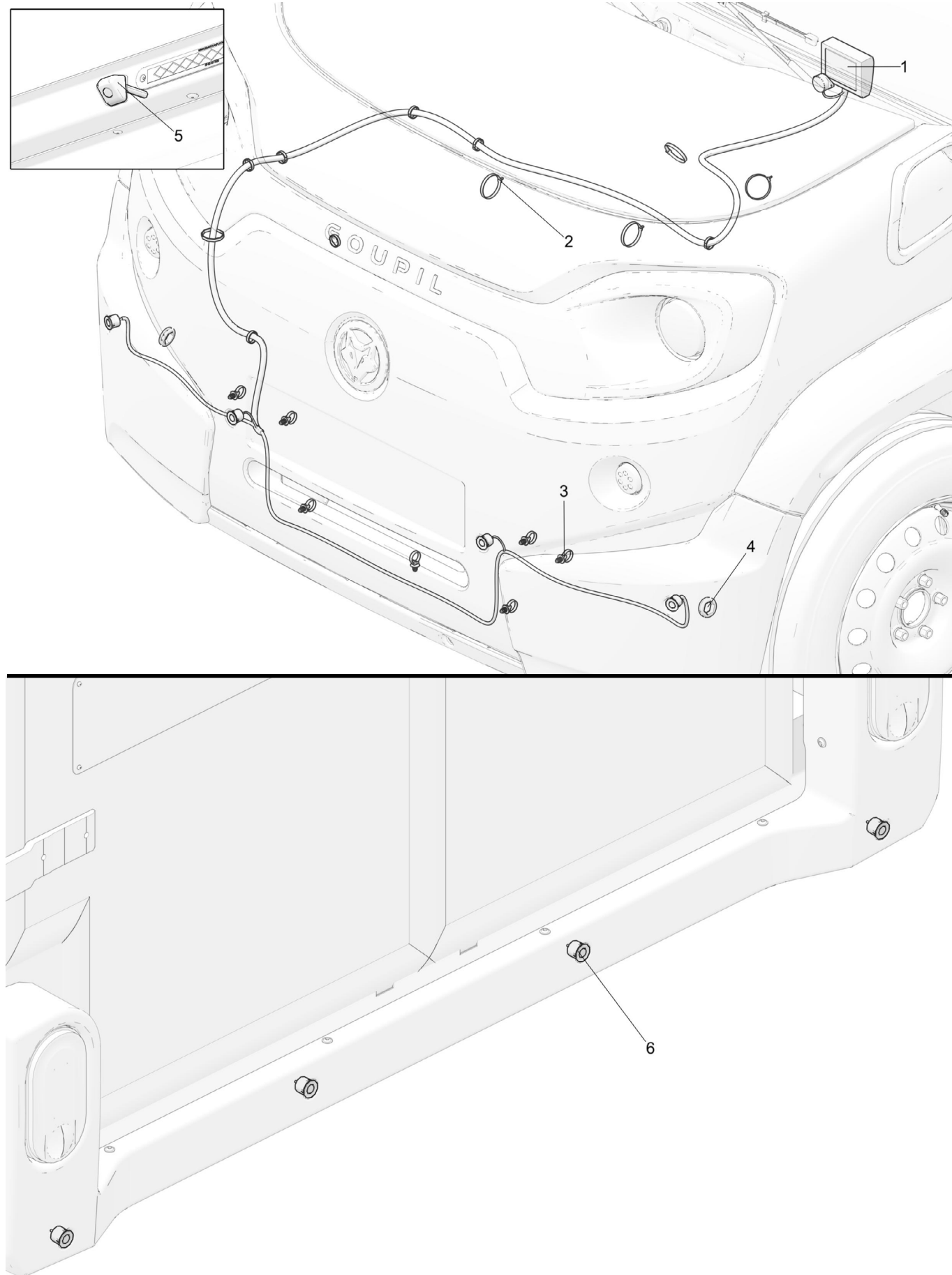
OPTION, WINTER TYRES

Applies to 7457001-03 [7307038-01]

Ref.	Part No.	Qty	Part Description	Notes
1	4100062	4	WINTER WHEEL	
2	2101032	1	VALVE	
3	5100183	20	BOLT	
4	2050168	1	RIM	
5	2050170	1	WINTER TYRE	

OPTION, FRONT/REAR RADAR + REARVIEW CAMERA FOR BOX VANS

Applies to 7457001-03 [7307025-02]



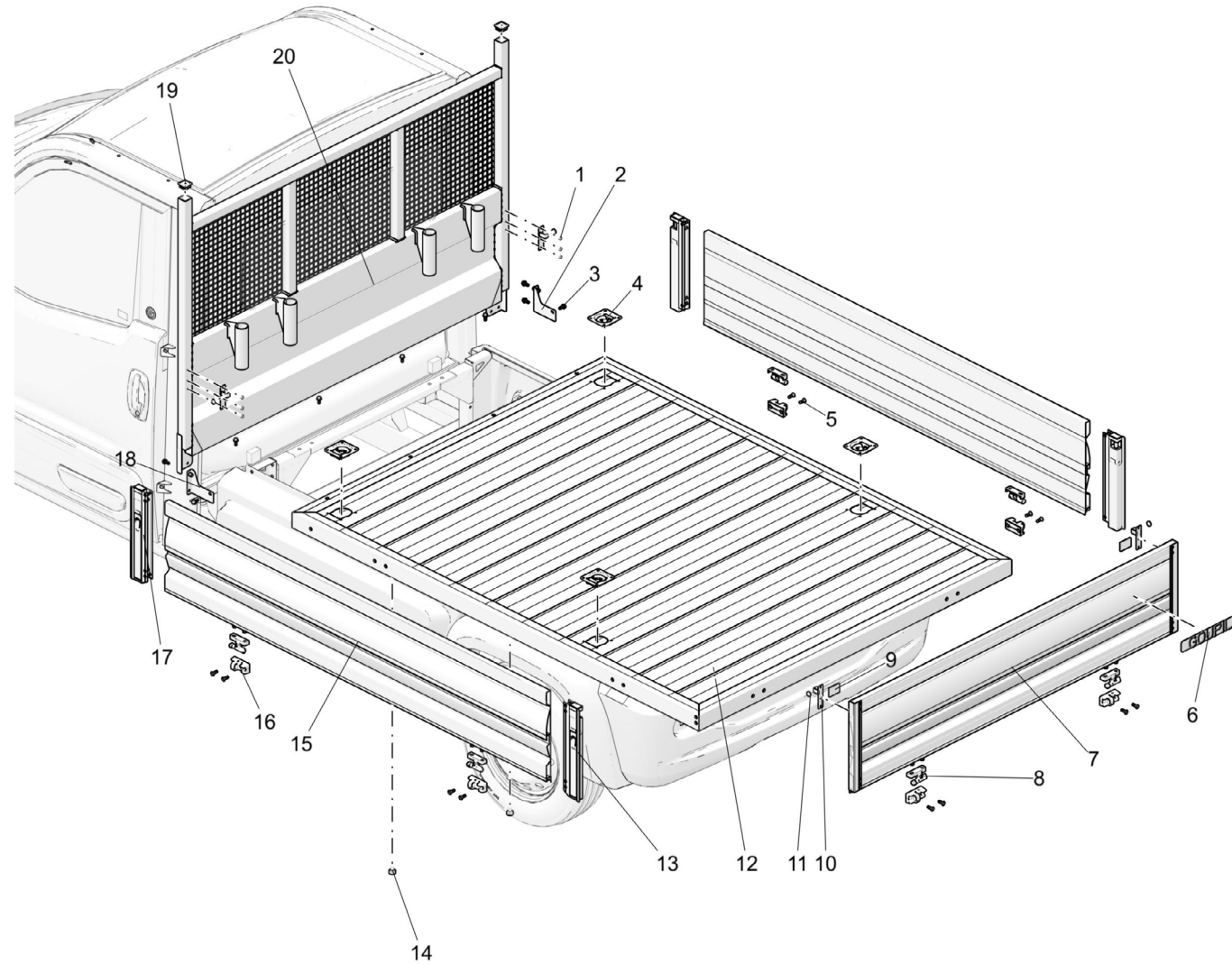
OPTION, FRONT/REAR RADAR + REARVIEW CAMERA FOR BOX VANS

Applies to 7457001-03 [7307025-02]

Ref.	Part No.	Qty	Part Description	Notes
1	3500306	1	FRONT SENSOR KIT	
2	3200005	4	COLLAR	
3	3200045	10	COLLAR	
4	4250203	2	BUSHING	
5	3500308	1	G6 CAM KIT	
6	3500307	1	REAR SENSOR KIT	

OPTION, COMBINED PICK-UP

Applies to 7457001-03 [7307031-02]



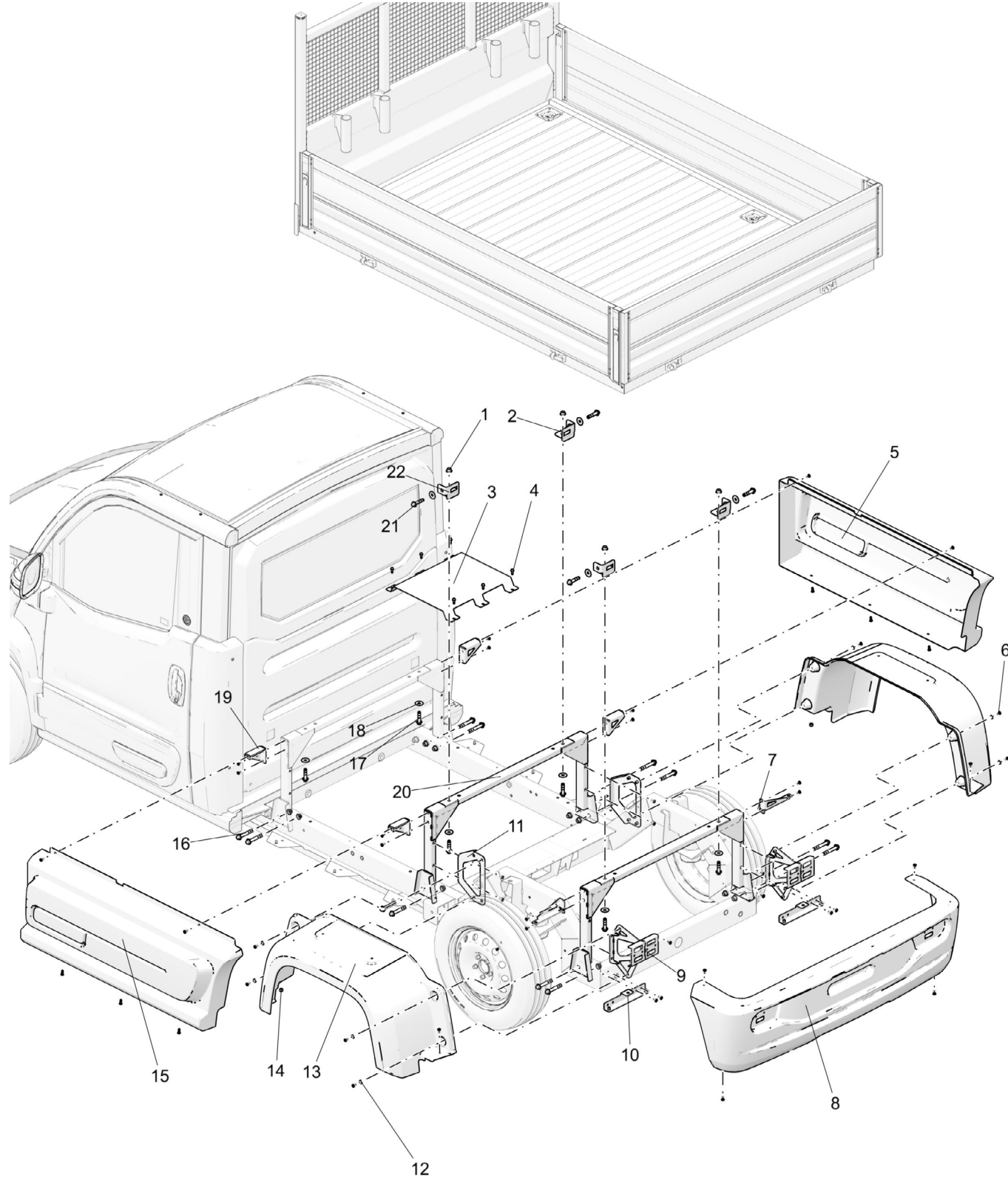
OPTION, COMBINED PICK-UP

Applies to 7457001-03 [7307031-02]

Ref.	Part No.	Qty	Part Description	Notes
1	5400021	6	STAINLESS STEEL RIVET 4.8X10	
2	6004676	1	RH FRONT PANEL BRACKET	
3	5055024	12	SCREW	
4	4151152	8	ATTACHMENT RING	
5	5105104	12	SCREW	
6	6500595	1	STICKER	
7	4200511	1	REAR BOARD	
8	2100387	10	HINGE - TRANNION	
9	3550131	2	RED REFLECTOR	
10	2100275	4	LOCKING HOOK	
11	4150177	4	RUBBER STOP	
12	6004524	1	COMBINE FRAME BED	
13	2100989	4	RH SIDE WALL TIP	
14	4150902	2	CAOUTCHOUC STOP	
15	4200520	2	COMBINE SIDE BOARD	
16	2100386	6	HINGE	
17	2100988	4	LH SIDE WALL TIP	
18	6004675	1	LH FRONT PANEL BRACKET	
19	4150592	2	PLUG	
20	6004674	1	FRONT RACK	

OPTION, COMBINED PICK-UP

Applies to 7457001-03 [7307031-02]



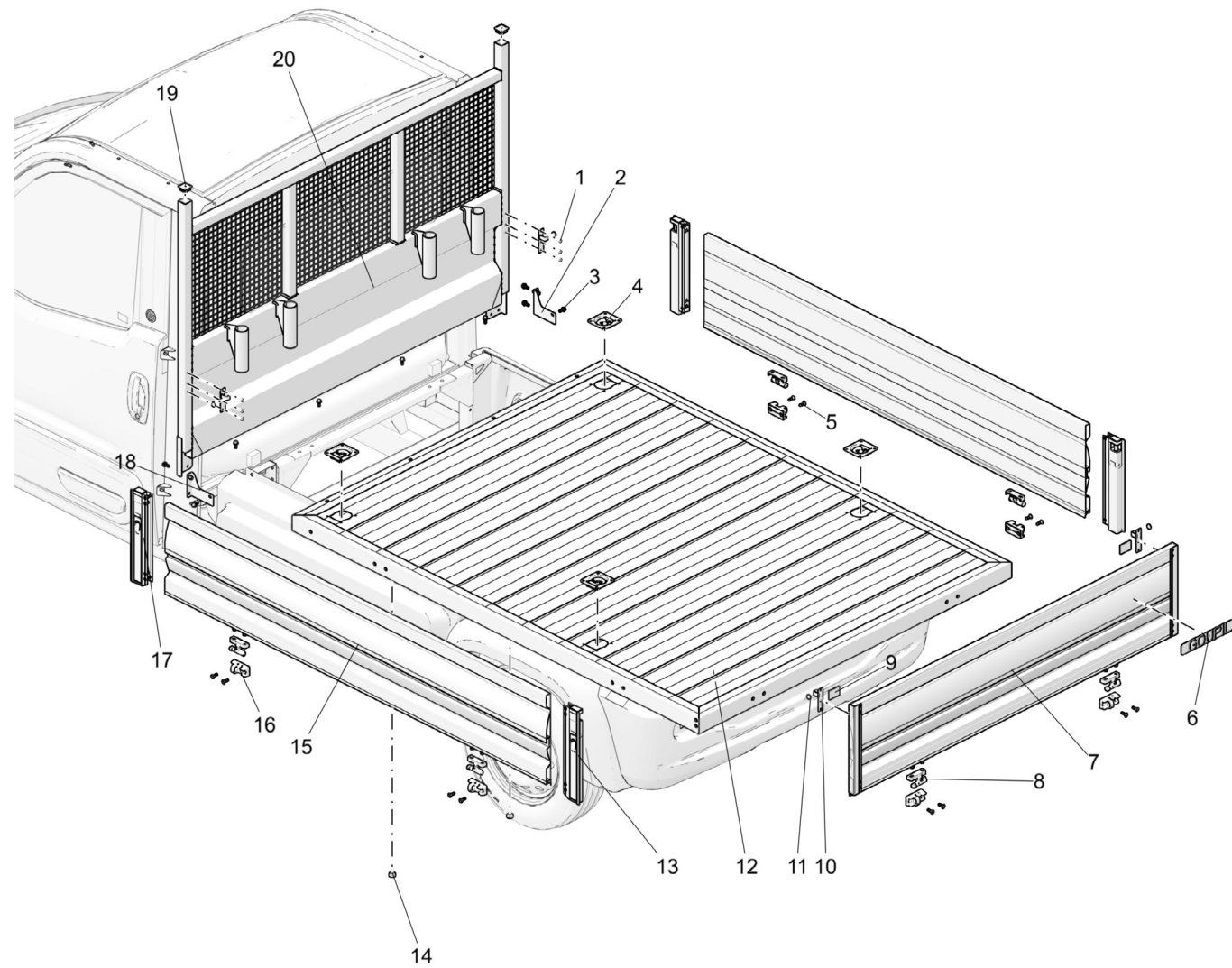
OPTION, COMBINED PICK-UP

Applies to 7457001-03 [7307031-02]

Ref.	Part No.	Qty	Part Description	Notes
1	5205012	18	NUT	
2	6004678	3	RH DECK BRACKET	
3	6112816	1	A/C PROTECTION SHEET	
4	5055014	6	SCREW	
5	6207614	1	RH LATERAL PLASTIC COVER	
6	5055117	50	SCREW	
7	6004549	2	UPPER LH REAR BUMPER BRKT	
8	6207615	1	REAR BUMPER	
9	6004542	2	R-LH MUDGUARD REAR BRKT	
10	6004548	2	LOWER REAR BUMPER BRKT	
11	6004541	2	R-LH MUDGUARD FRONT BRKT	
12	5300091	8	NYTRIL WASHER	
13	6207611	2	REAR MUDGUARD	
14	4150746	2	SPACER	
15	6207613	1	LH LATERAL PLASTIC COVER	
16	5055159	12	SCREW	
17	5055097	6	SCREW	
18	5300088	12	WASHER	
19	6004539	4	UPPER BRKT FOR LATERAL COVER	
20	6004499	3	DECK ARCH	
21	5055098	6	SCREW	
22	6004677	3	LH DECK BRACKET	

OPTION, COMBINED TIPPER

Applies to 7457001-03 [7307032-02]



OPTION, COMBINED TIPPER

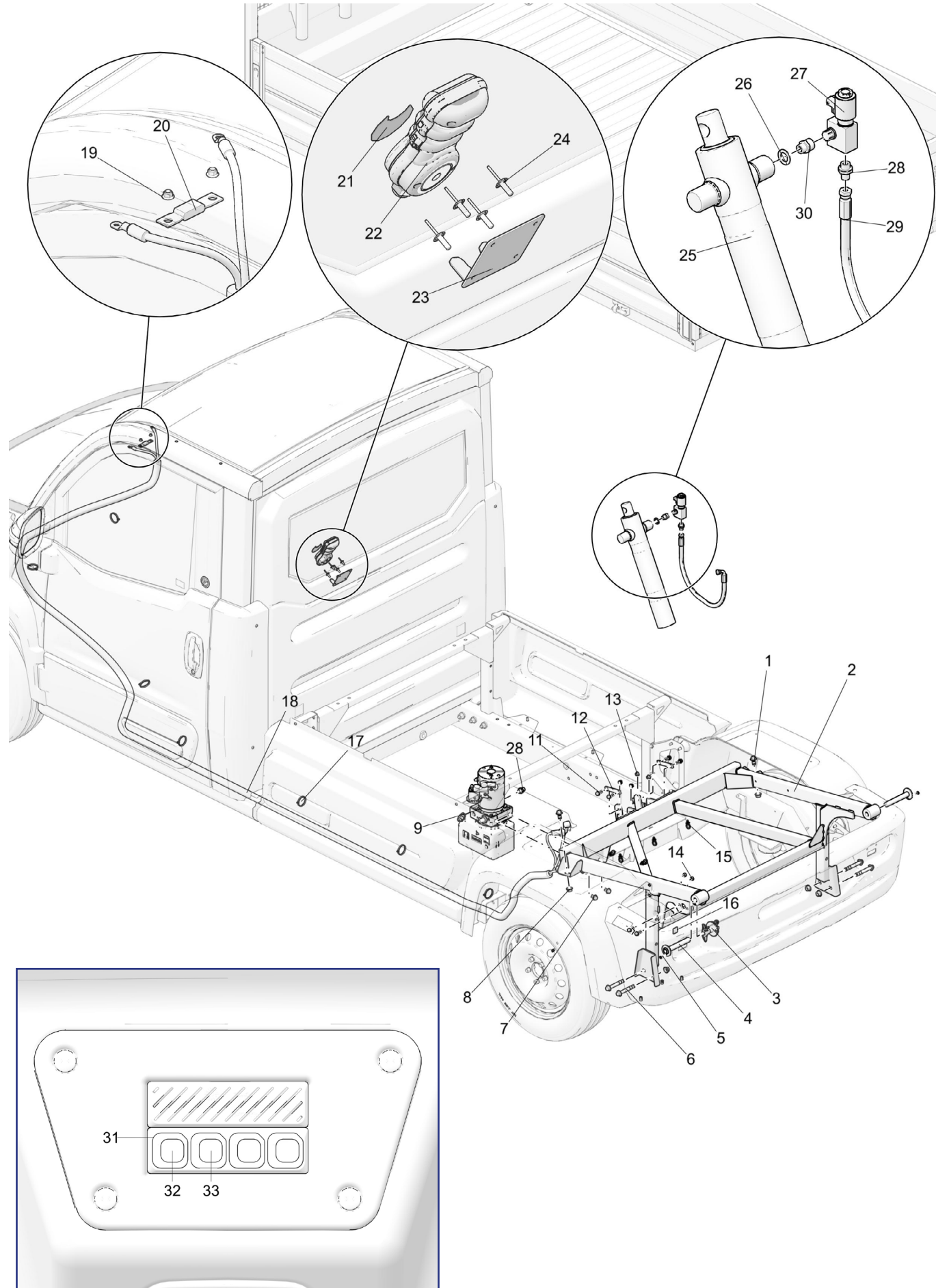
Applies to 7457001-03 [7307032-02]

Ref.	Part No.	Qty	Part Description	Notes
1	5400021	6	STAINLESS STEEL RIVET 4.8X10	
2	6004676	1	RH FRONT PANEL BRACKET	
3	5055024	12	SCREW	
4	4151152	8	ATTACHMENT RING	
5	5105104	12	SCREW	
6	6500595	1	STICKER	
7	4200511	1	REAR BOARD	
8	2100387	10	HINGE - TRANNION	
9	3550131	2	RED REFLECTOR	
10	2100275	4	LOCKING HOOK	
11	4150177	4	RUBBER STOP	
12	6004524	1	COMBINE FRAME BED	
13	2100989	4	RH SIDE WALL TIP	
14	4150902	2	CAOUTCHOUC STOP	
15	4200520	2	COMBINE SIDE BOARD	
16	2100386	6	HINGE	
17	2100988	4	LH SIDE WALL TIP	
18	6004675	1	LH FRONT PANEL BRACKET	
19	4150592	2	PLUG	
20	6004674	1	FRONT RACK	



OPTION, COMBINED TIPPER

Applies to 7457001-03 [7307032-02]



OPTION, COMBINED TIPPER

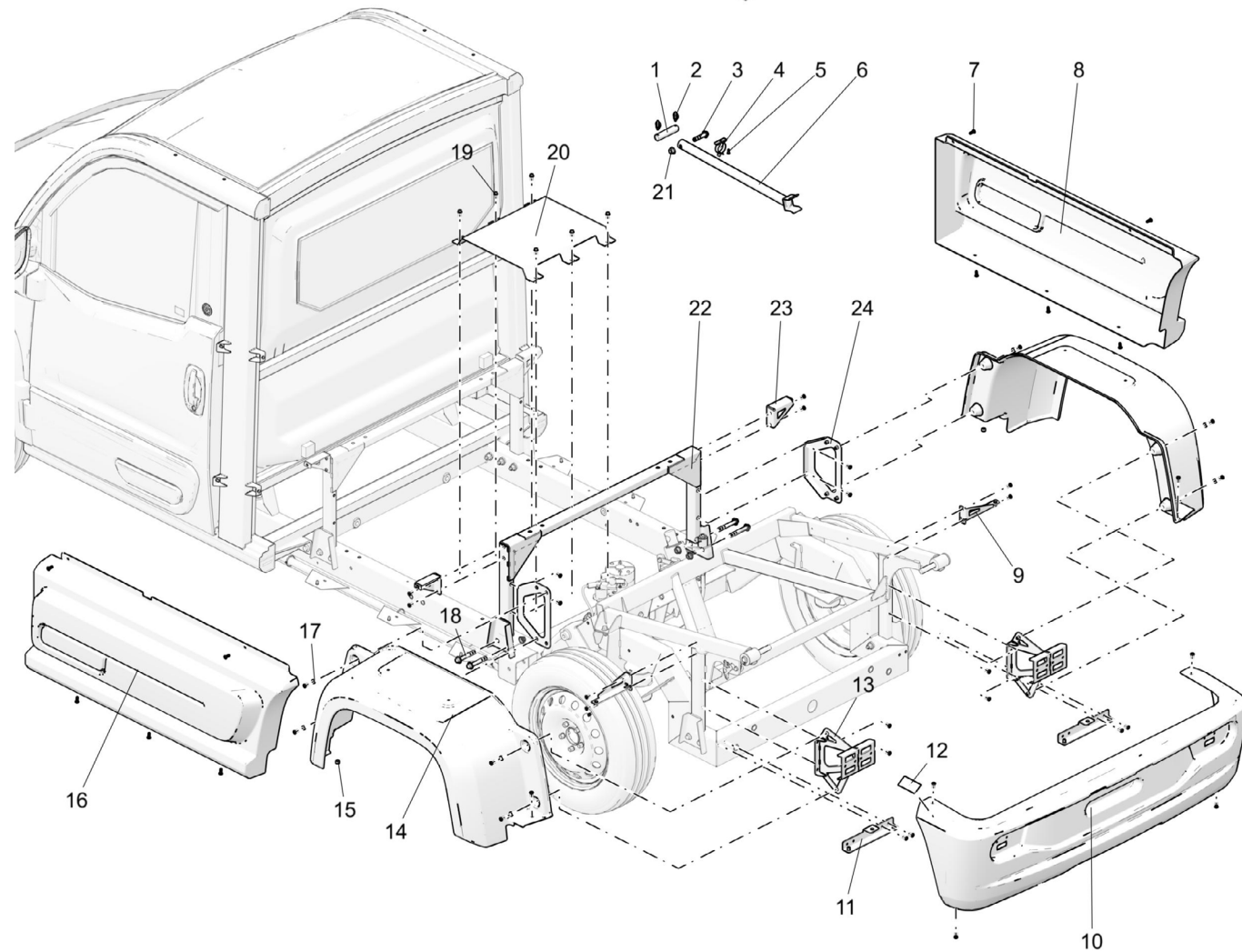
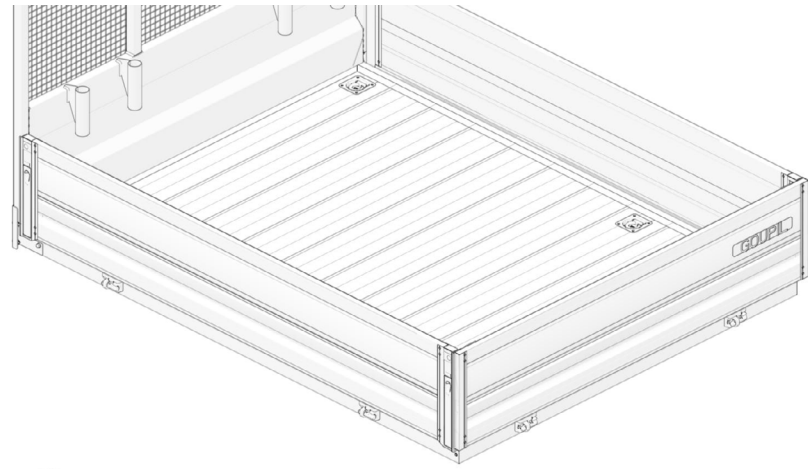
Applies to 7457001-03 [7307032-02]

Ref.	Part No.	Qty	Part Description	Notes
1	5055040	2	SCREW	
2	6004503	1	TIPPER DECK SUBFRAME	
3	3450428	1	CIRCUIT BREAKER	
4	6004509	2	AXLE TILTING DESK	
5	5105004	2	SCREW	
6	5055159	12	SCREW	
7	5055031	2	SCREW	
8	5205012	15	NUT	
9	4000555	1	HYDRAULIC CENTRAL	
10	6207615	1	REAR BUMPER	
11	5055025	6	SCREW	
12	6112057	2	HYDRAULIC CYLINDER STOP	
13	5205003	4	NUT	
14	5200007	2	NUT	
15	3200045	6	COLLAR	
16	7002601	1	DUAL LOCK	
17	3200005	7	COLLAR	
18	6200330	1	POWER HARNESS	
19	5205021	2	NUT	
20	3450439	1	125A FUSE	
21	6500521	1	STICKER	
22	3450485	1	REMOTE CONTROL	
23	6112809	1	REMOTE SUPPORT	
24	5400019	4	RIVET	
25	4000406	1	TELESCOPIC HYDRAULIC ACTUATOR	
26	4000163	1	BBS BUSH	
27	4000520	1	SOLENOID 12V	
28	4000057	2	MALE CONNECTOR	
29	6400039	1	HYDRAULIC HOSE	
30	4000146	1	CONNECTOR	
31	3450582	1	BUTTONS BAR	
32	3450616	1	UP TIPPER CAP	
33	3450617	1	DOWN TIPPER CAP	



OPTION, COMBINED TIPPER

Applies to 7457001-03 [7307032-02]



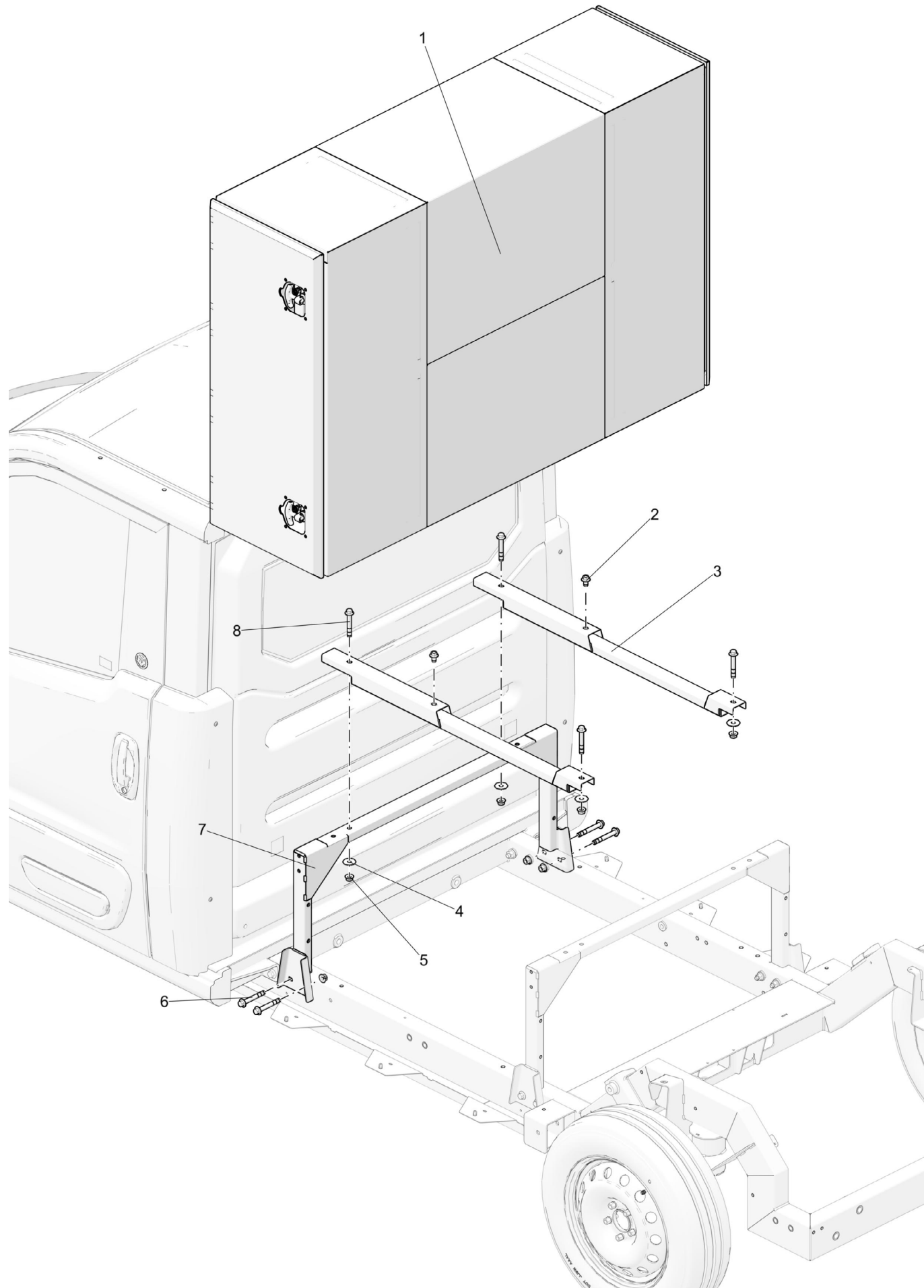
OPTION, COMBINED TIPPER

Applies to 7457001-03 [7307032-02]

Ref.	Part No.	Qty	Part Description	Notes
1	6105254	1	ROD	
2	5450020	2	PIN	
3	5055098	1	SCREW	
4	4151157	1	SPRING STEEL CLIPS	
5	5105077	1	SCREW	
6	6004644	1	SAFETY ROD	
7	5055117	50	SCREW	
8	6207614	1	RH LATERAL PLASTIC COVER	
9	6004549	2	UPPER LH REAR BUMPER BRKT	
10	6207615	1	REAR BUMPER	
11	6004548	2	LOWER REAR BUMPER BRKT	
12	6500714	1	STICKER	
13	6004542	2	R-LH MUDGUARD REAR BRKT	
14	6207611	2	REAR MUDGUARD	
15	4150746	2	SPACER	
16	6207613	1	LH LATERAL PLASTIC COVER	
17	5300091	8	NYTRIL WASHER	
18	5055159	12	SCREW	
19	5055014	6	SCREW	
20	6112816	1	A/C PROTECTION SHEET	
21	5205012	14	NUT	
22	6004499	2	DECK ARCH	
23	6004539	4	UPPER BRKT FOR LATERAL COVER	
24	6004541	2	R-LH MUDGUARD FRONT BRKT	

OPTION, COMBINED STORAGE BOX BEHIND THE CAB

Applies to 7457001-03 [7307033-02]



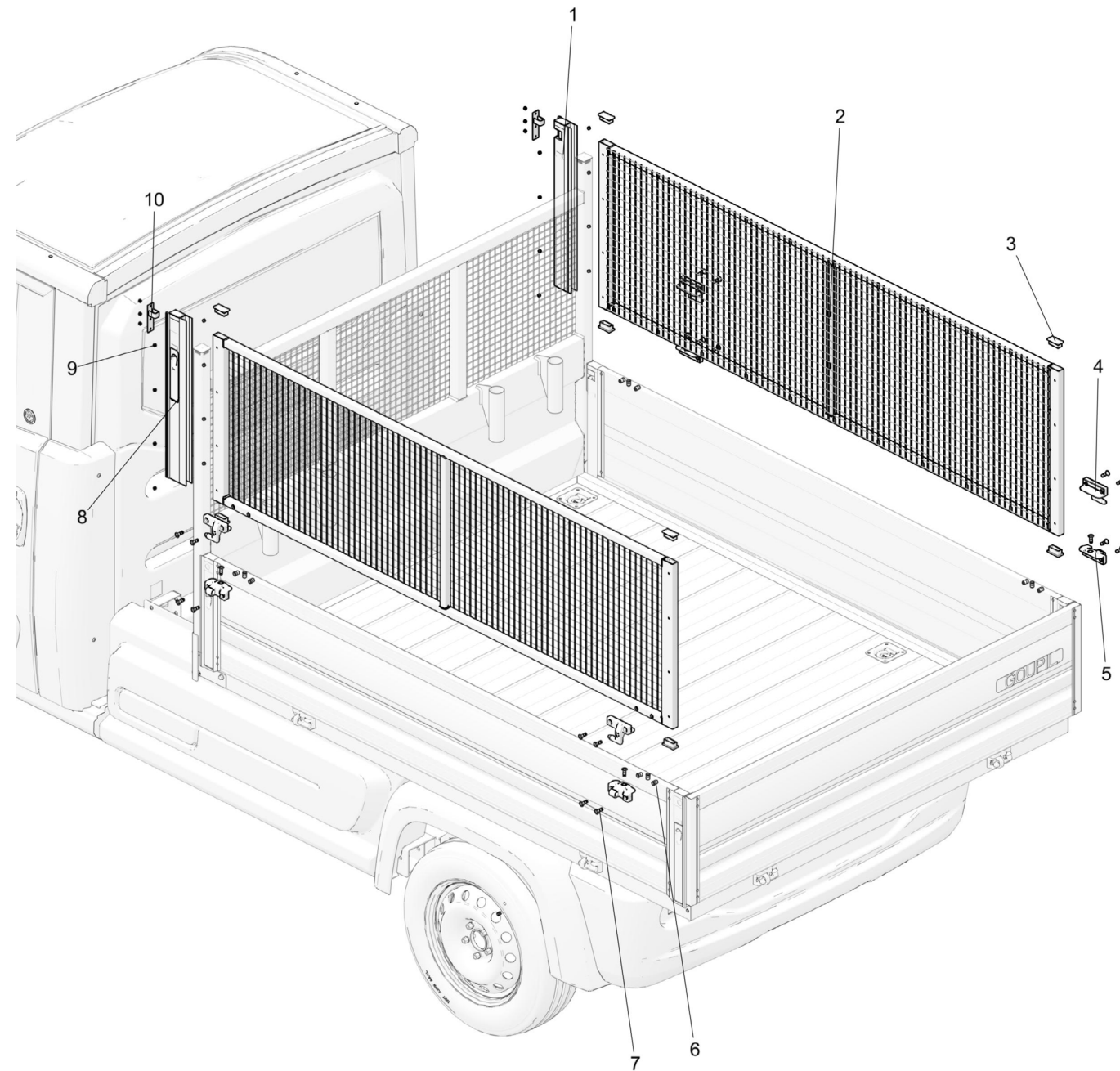
OPTION, COMBINED STORAGE BOX BEHIND THE CAB

Applies to 7457001-03 [7307033-02]

Ref.	Part No.	Qty	Part Description	Notes
1	4200521	1	REAR CAB BOX	
2	5055039	2	SCREW	
3	6004673	2	COMBINE BOX HOLDER	
4	5300088	4	WASHER	
5	5205012	22	NUT	
6	5055159	16	SCREW	
7	6004499	1	DECK ARCH	
8	5055100	4	SCREW	

*OPTION, COMBINED MESH CAGE BODY*

**Applies to 7457001-03 [7307034-02]**



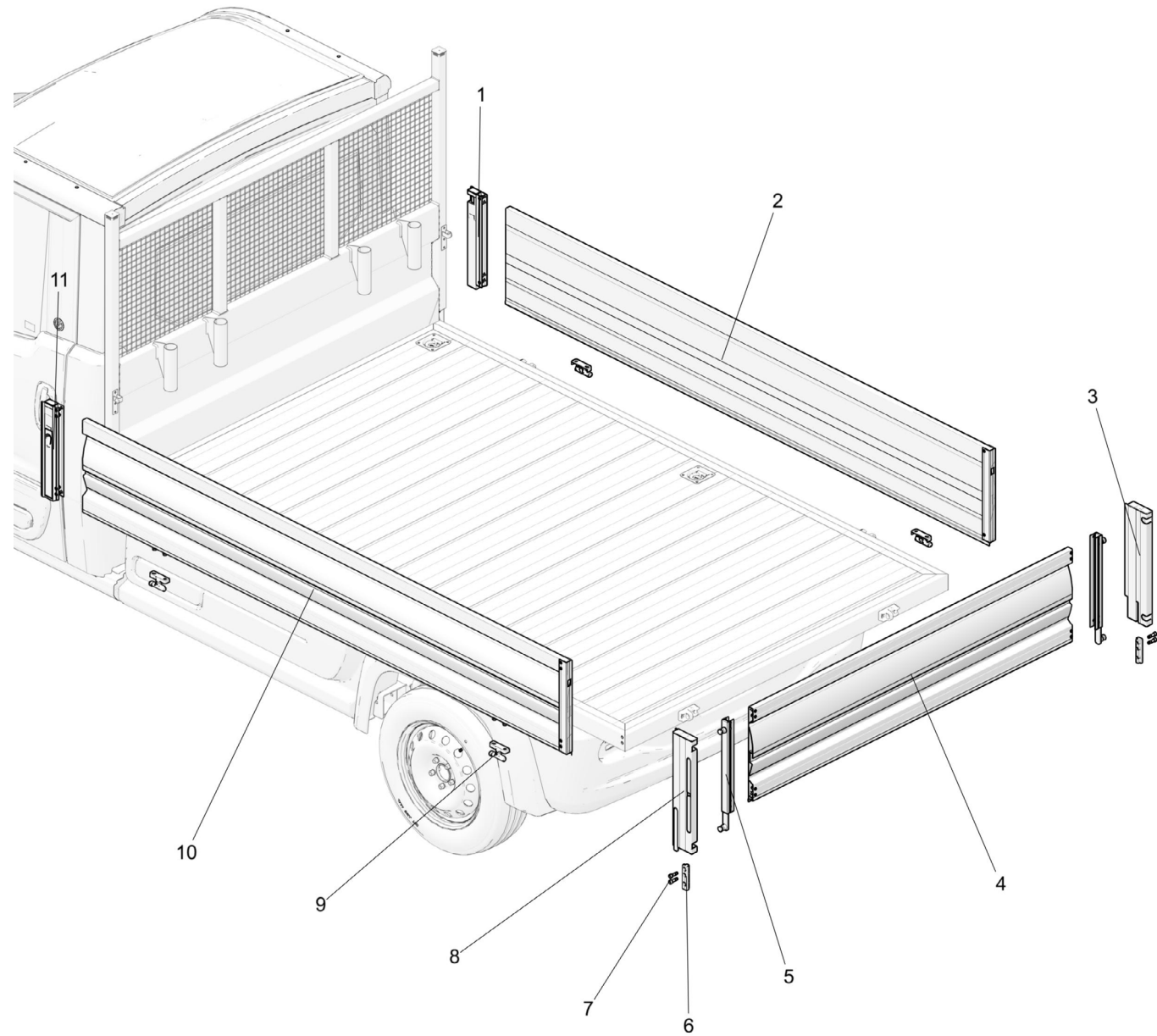
*OPTION, COMBINED MESH CAGE BODY*

**Applies to 7457001-03 [7307034-02]**

Ref.	Part No.	Qty	Part Description	Notes
1	6201479	1	RIGHT END MESH CAGE	
2	6004572	2	COMBINE LATERALE MESH CAGE	
3	4150094	8	PLUG	
4	6111569	4	HINGE TRENNION	
5	6111570	4	HINGE BASE CAGE	
6	5250044	12	INSERT	
7	5105104	20	SCREW	
8	6201478	1	LEFT END MESH CAGE	
9	5400021	22	STAINLESS STEEL RIVET 4.8X10	
10	2100275	2	LOCKING HOOK	

OPTION, REAR TIPPING GATE

Applies to 7457001-03 [7307035-02]



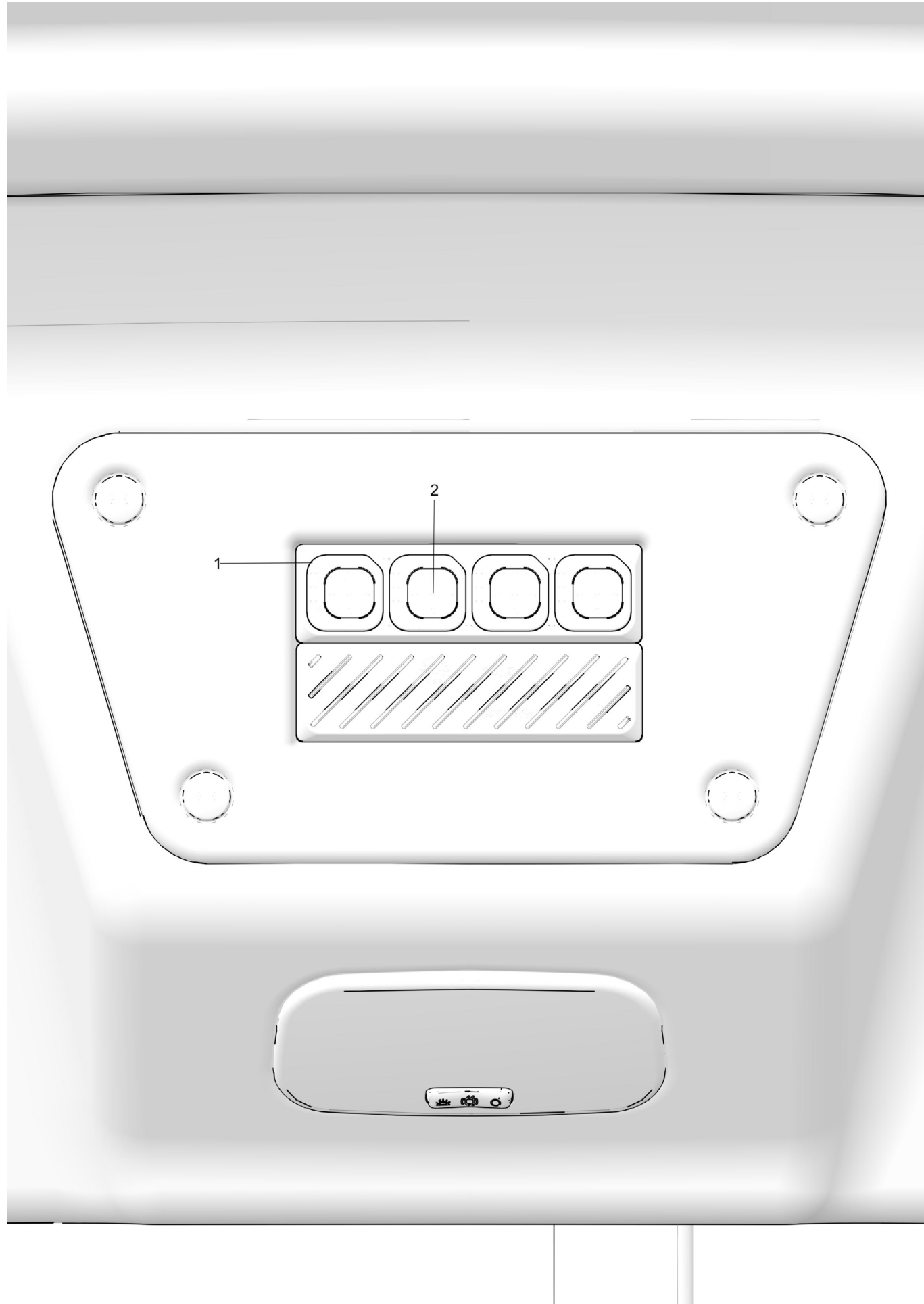
OPTION, REAR TIPPING GATE

Applies to 7457001-03 [7307035-02]

Ref.	Part No.	Qty	Part Description	Notes
1	2100989	3	RH SIDE WALL TIP	
2	4200534	1	COMBINE SIDE BOARD UP PIVOT	
3	4151112	1	RH REMOVABLE PILLAR	
4	4200532	1	REAR BOARD UP PIVOT	
5	2101037	2	REAR WALL TIP	
6	4151110	2	BRACKET REMOVABLE PILLAR	
7	5005005	4	SCREW	
8	4151111	1	LH REMOVABLE PILLAR	
9	2100387	10	HINGE - TRANNION	
10	4200533	1	LH SIDE BOARD UP PIVOT	
11	2100988	3	LH SIDE WALL TIP	

OPTION, EXTERNAL FEATURES CONTROL BUTTON

Applies to 7457001-03 [7307040-01]



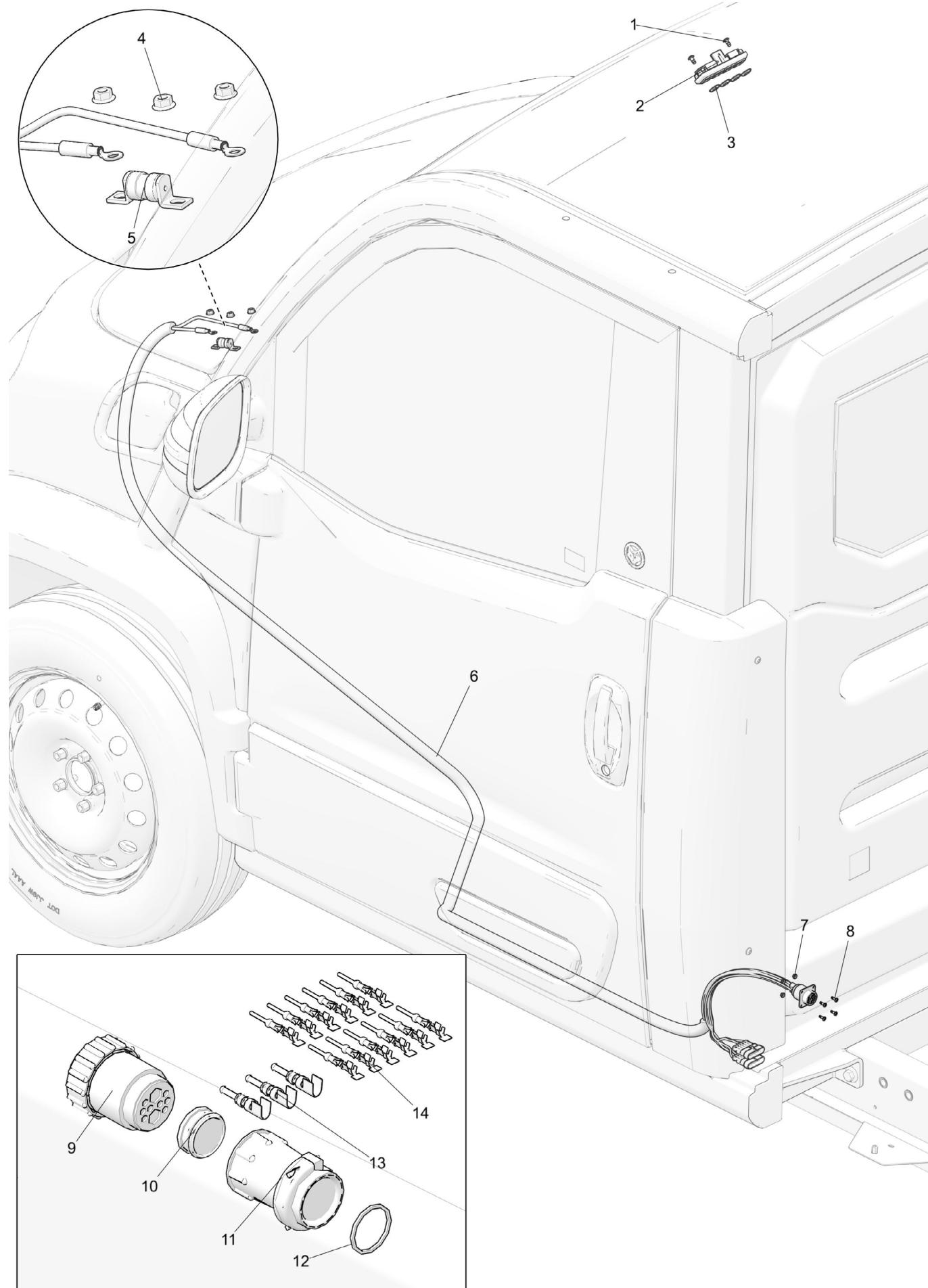
OPTION, EXTERNAL FEATURES CONTROL BUTTON

Applies to 7457001-03 [7307040-01]

Ref.	Part No.	Qty	Part Description	Notes
1	3450582	1	BUTTONS BAR	
2	3450612	4	VIRGIN CAP	

OPTION, WIRING HARNESS

Applies to 7457001-03 [7307041-02]



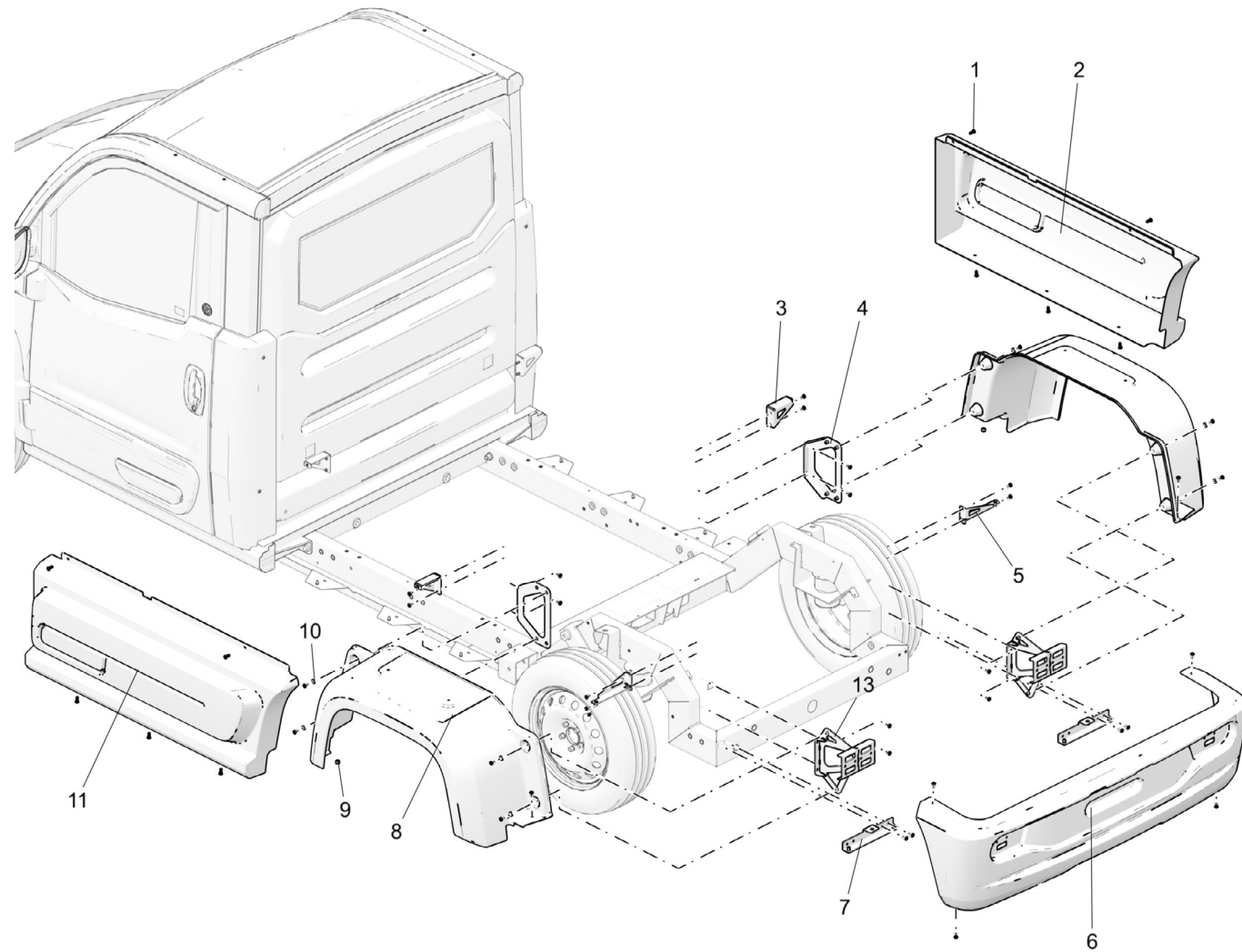
OPTION, WIRING HARNESS

Applies to 7457001-03 [7307041-02]

Ref.	Part No.	Qty	Part Description	Notes
1	5105003	2	SCREW	
2	3450583	1	BUTTON FOR EQUIPEMENT	
3	3450612	4	VIRGIN CAP	
4	5205002	3	NUT	
5	3450638	1	FUSE	
6	6200334	1	HARNESS	
7	5205025	4	NUT	
8	5105092	4	SCREW	
9	3350340	1	CPC 17-10 PLUG ASSY	
10	3350337	1	TYCO 17-10 CPC HOUSING	
11	3350338	1	CABLE CLAMP	
12	3350341	1	CPC 17-10 PLUG ASSY	
13	3300486	3	POWERBAND TYCO CTC	
14	3300484	12	TYPE III CONTACT	

*OPTION, LOAD BED BODYWORK KIT*

**Applies to 7457001-03 [7307042-01]**



*OPTION, LOAD BED BODYWORK KIT*

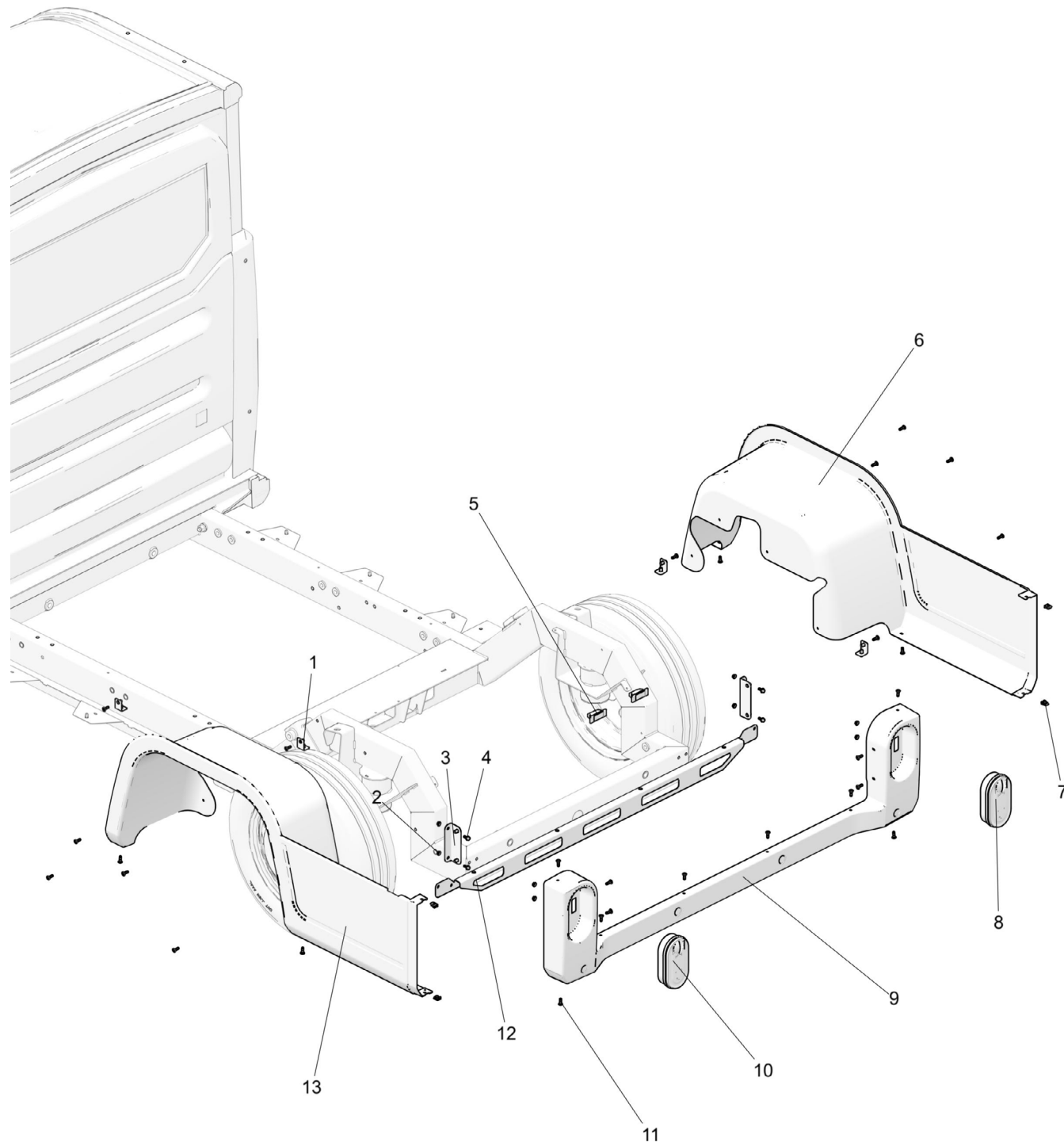
**Applies to 7457001-03 [7307042-01]**

Ref.	Part No.	Qty	Part Description	Notes
1	5055117	50	SCREW	
2	6207614	1	RH LATERAL PLASTIC COVER	
3	6004539	4	UPPER BRKT FOR LATERAL COVER	
4	6004541	2	R-LH MUDGUARD FRONT BRKT	
5	6004549	2	UPPER LH REAR BUMPER BRKT	
6	6207615	1	REAR BUMPER	
7	6004548	2	LOWER REAR BUMPER BRKT	
8	6207611	2	REAR MUDGUARD	
9	4150746	2	SPACER	
10	5300091	8	NITRYLE WASHER	
11	6207613	1	LH LATERAL PLASTIC COVER	



OPTION, BOX VAN BODYWORK KIT

Applies to 7457001-03 [7307043-01]



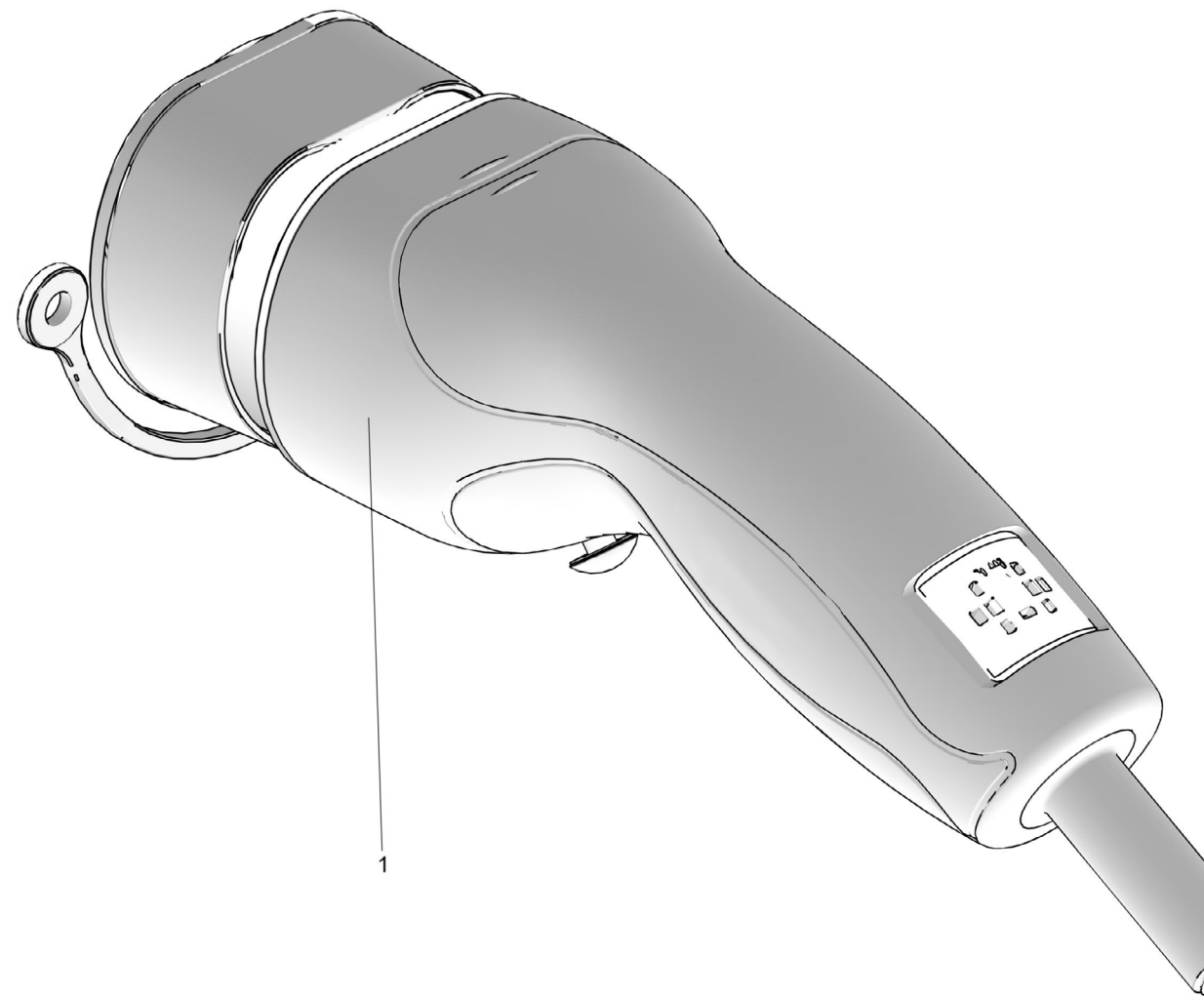
OPTION, BOX VAN BODYWORK KIT

Applies to 7457001-03 [7307043-01]

Ref.	Part No.	Qty	Part Description	Notes
1	6004591	4	MUDGUARD BRKT	
2	5205002	8	NUT	
3	6004589	2	REAR BUMPER BRKT	
4	5055013	4	SCREW	
5	3550107	2	NUMBER PLATE LIGHT	
6	6207715	1	CUTTED REAR RH VAN MUDGUARD	
7	5250004	4	NUT	
8	3550142	1	REAR LIGHT	
9	6207665	1	REAR BUMPER VAN 8M3 G6	
10	3550140	1	REAR LIGHT	
11	5055117	78	SCREW	
12	6004590	1	REAR BUMPER BRKT	
13	6207714	1	CUTTED REAR LH VAN MUDGUARD	

OPTION, MODE 3 TYPE 2/TYPE 2 CHARGING CABLE - 5 M

Applies to 7457001-03 [7307045-01]



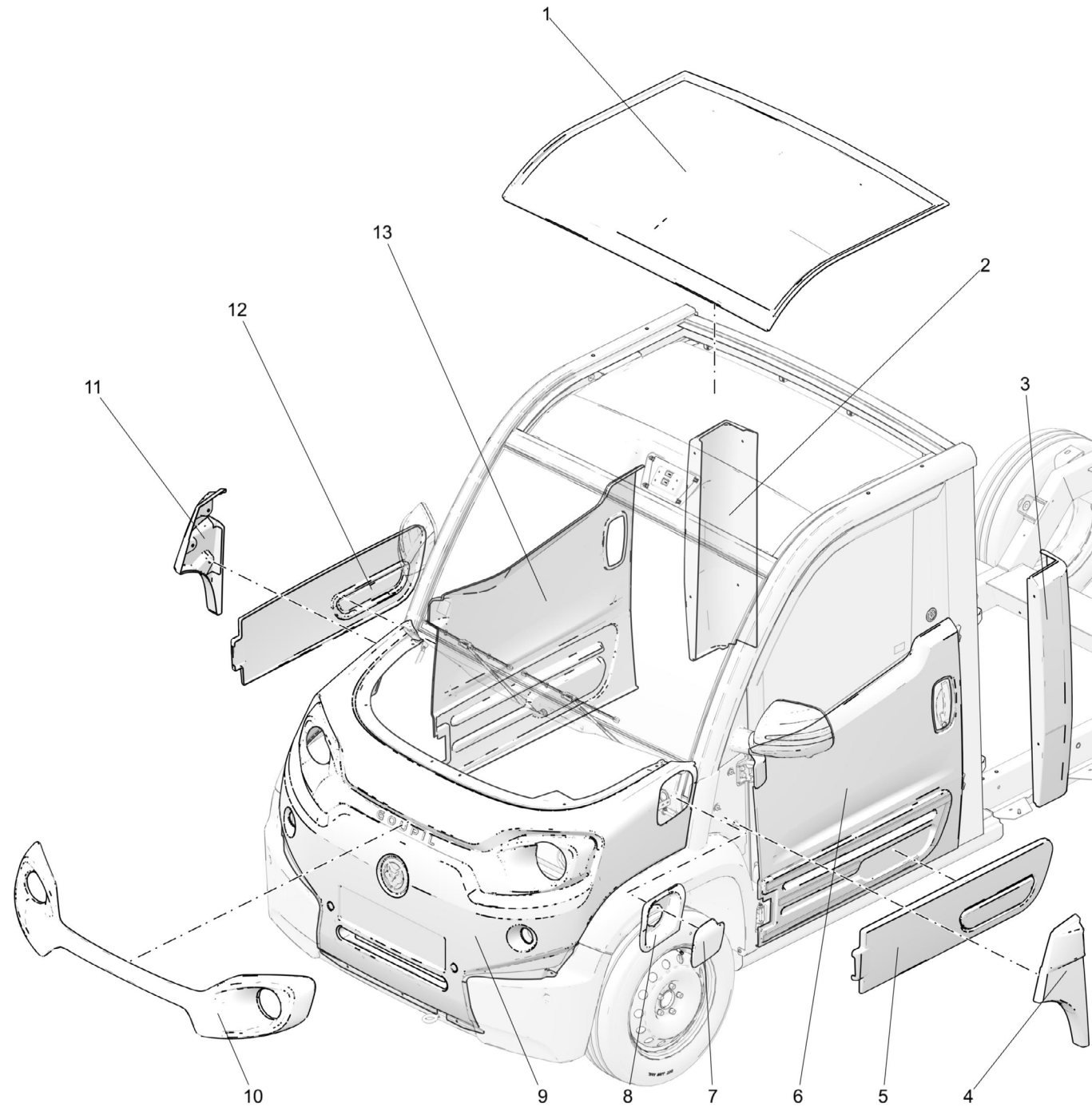
OPTION, MODE 3 TYPE 2/TYPE 2 CHARGING CABLE - 5 M

Applies to 7457001-03 [7307045-01]

Ref.	Part No.	Qty	Part Description	Notes
1	3450571	1	CHARGING CABLE	

OPTION, COLORS

Applies to 7457001-03 [7307046 - 7307047 - 7307048]



OPTION, COLOR

Applies to 7457001-03 [7307046 - 7307047 - 7307048]

Ref.	Part No.	Qty	Part Description	Notes
1	6207594-1004	1	ROOF	
2	6207626-1004	1	EXTERIOR CAB COVER	
3	6207627-1004	1	EXTERIOR CAB COVER	
4	6207628-1004	1	HINGE COVER	
5	6207756-9005	1	DOOR PROTECTION	
6	6207759-1004	1	EXTERIOR DOOR PANEL	
7	6207666-1004	1	CHARGING TRAPP	
8	2101256-9005	1	PLUG EMBELLISHMENT	
9	6207635-1004	1	FRONT PANEL	
10	2101257-9005	1	GRILL	
11	6207629-1004	1	HINGE COVER	
12	6207760-9005	1	DOOR PROTECTION	
13	6207762-1004	1	EXTERIOR DOOR PANEL	
1	6207594-2011	1	ROOF	
2	6207626-2011	1	EXTERIOR CAB COVER	
3	6207627-2011	1	EXTERIOR CAB COVER	
4	6207628-2011	1	HINGE COVER	
5	6207756-9005	1	DOOR PROTECTION	
6	6207759-2011	1	EXTERIOR DOOR PANEL	
7	6207666-2011	1	CHARGING TRAPP	
8	2101256-9005	1	PLUG EMBELLISHMENT	
9	6207635-2011	1	FRONT PANEL	
10	2101257-9005	1	GRILL	
11	6207629-2011	1	HINGE COVER	
12	6207760-9005	1	DOOR PROTECTION	
13	6207762-2011	1	EXTERIOR DOOR PANEL	
1	6207594-6024	1	ROOF	
2	6207626-6024	1	EXTERIOR CAB COVER	
3	6207627-6024	1	EXTERIOR CAB COVER	
4	6207628-6024	1	HINGE COVER	
5	6207756-9005	1	DOOR PROTECTION	
6	6207759-6024	1	EXTERIOR DOOR PANEL	
7	6207666-6024	1	CHARGING TRAPP	
8	2101256-9005	1	PLUG EMBELLISHMENT	
9	6207635-6024	1	FRONT PANEL	
10	2101257-9005	1	GRILL	
11	6207629-6024	1	HINGE COVER	
12	6207760-9005	1	DOOR PROTECTION	
13	6207762-6024	1	EXTERIOR DOOR PANEL	