



V.le dell'Appennino, 606 B
47121 - Forlì - ITALIA
Tel. 0543-86066
Fax 0543-83418
R.E.A. FO n. 114469

URL <http://www.rinieri.com>
E-Mail : rinieri@rinieri.com
Capitale Sociale € 98.800 i.v.
Partita IVA CEE: IT 00012520409
Iscr. Reg.Impr. Fo / P. IVA e Cod. Fisc. 00012520409

TRM TRM-R



Shredder

Instructions for use and maintenance

The following instructions must be read carefully prior to using the machine.



In accordance with article 2006/42/CE
and subsequent modifications

| | |
|--------|--|
| SERIAL | |
|--------|--|

In regards to safety and reliability this machine was designed in accordance with the provisions and subsequent revisions set out in the EEC “machines article”.

The manufacturer therefore cannot be held responsible for machine use where modifications have been made without prior manufacturer’s consent, replacement parts used are not those stated by the manufacturer and use by untrained persons.

For safety issues not covered in this text please refer to general standards concerning the prevention of accidents.

Below is a list of definitions, descriptions and abbreviated terms most frequently used in the text.

Mass. = weight of object or machine

| | |
|--------|-----------------------------|
| A.P. | high pressure |
| B.P. | low pressure |
| min. | Minimum |
| max. | Maximum |
| l' | minutes |
| h | hours |
| L | width |
| P | depth (length) |
| H | height |
| Fig. | figure |
| Pag. | page |
| Autom. | Automatic |
| Man. | Manual |
| Rif. | Reference |
| Hp | Horsepower |
| °C | centigrade |
| kg. | kilograms |
| m. | meters |
| cm. | centimeters |
| mm. | millimeters |
| CEE | European Economic Community |

ATTENTION

THE PURPOSE OF THIS TEXT IS TO INTRODUCE YOU TO THE BASIC STANDARDS AND CRITERIA YOU HAVE TO FOLLOW IN ORDER TO USE AND MAINTAIN THIS MACHINE AND THUS IT HAS TO BE READ BEFORE USING THE MACHINE.



This manual has to be considered as an integral part of the machine and must be passed on with the machine if resold. If you lose it or if it is not readable, it is important that you ask for a new copy to the producer, to the dealer or to the importer.

If you think that some themes are not very good illustrated, return to the producer, the dealer or the importer to have the needed informations.

INDEX

| DESCRIPTION | Page |
|-----------------------------|------|
| DECLARATION OF CONFORMITY | 3 |
| INDEX | 5 |
| INTRODUCTION | 6 |
| GENERAL INFORMATION | 6 |
| RECOMMENDATIONS | 6 |
| DESCRIPTION OF THE MACHINE | 7 |
| USE | 8 |
| PRE-OPERATION | 8 |
| IDENTIFICATION DATA | 8 |
| ADHESIVES | 8 |
| SAFETY REGULATIONS | 10 |
| IMPROPER USE | 11 |
| INCORRECT USE | 11 |
| METHOD OF USE | 11 |
| MAINTENANCE | 12 |
| TRANSPORT HOISTING MOVEMENT | 14 |
| SPARE PARTS | 14 |
| CONDITIONS OF GUARANTEE | 16 |

INTRODUCTION

Dear Customer,

the purpose of this text is to introduce you to the basic standards and criteria you have to follow in order to use and maintain this machine and thus it must be read before using the machine.

If any part of this publication is not understandable please consult your retailer as this is a necessary precondition to using this machine safely.

Your safety depends on your careful and rational observation of the standards laid out in the text as well as the proper functioning and durability of your machine.

This manual must be considered as an integral part of the machine and must be passed on with the machine if resold.

This publication contains all the general specifications needed to have a working knowledge of the machine without regards to specific types, models and the numerous characteristic modes and settings.

GENERAL INFORMATION

INSTRUCTION MANUAL

Verify that this manual is in good condition and all pages are readable.

If damaged or missing pages on receipt, please return to the retailer who will provide a replacement copy.

PRESERVATION AND CARE OF MANUAL

This manual must be kept for the entire life of the machine.

If lost or destroyed please ask the manufacturer for another copy quoting the type of machine, serial number and year of production.

IN HOUSE TESTING

The machine has been tested on the manufacturer's premises to verify that all components function correctly according to standards laid out by the standards in force.

DELIVERY

Responsibility for goods in travel lie solely with the transporter and recipient.

In cases of delayed delivery or accident and the manufacturer cannot be held responsible.

Transportation of goods has to be carried out by suitable companies who comply to regulations in force and legislation concerning weights and bulks.

INSPECTION

On receiving the machine check the condition.

Should you come across any damages don't install the machine, instead inform the supplier and transporter immediately.

Make sure the machine is in good condition.

Check you have all components, the overall condition of the machine is good and there are no breakage or dents.

In cases of damages or missing components inform the retailer immediately after taking legal proceedings against the transporter, if necessary.

PACKAGING

Packaging material and maintenance waste must be disposed of separately at authorized depots and not left in reach of children or animals or to litter the environment.

MACHINE DETAILS

An exact model description, identification code, serial number and any installed accessories will help the manufacturer or call center deal with any enquiries quickly and efficiently.

Always refer to the machine model and production dates every time you contact the call center, retailer or manufacturer.

For quick reference fill in your machine details in the box below

| | | | |
|--------|------------------|---------------------|--|
| MODEL: | TRM-R 150 | SERIAL NUMBER: | |
| CODE: | 6TRMR15 | YEAR OF PRODUCTION: | |

RECOMMENDATIONS

Before use please read the instructions carefully, in particular the RECOMMENDATIONS, SAFETY REGULATIONS and PRECAUTIONS.

We remind you that some machines mechanical parts have linear or rotatory movement and can cause serious damage or injury to people, animals and things.

It is forbidden to remove or tamper with the safeguards of the machine.

It is obligatory to wear the correct protective clothing and safety equipment.

It is necessary to keep the machine clean and in working order especially the nameplates, couplings and controls.

For the safety of you and others and the proper functioning of the machine don't use the machine for uses other than those specified or intended by the manufacturer.

Before using the machine make sure that any dangers to your safety or others have been removed. Pay attention to the type of oil of used in cases where the equipment is used with different types of tractors.

VERY IMPORTANT

For all operations use proper working clothes and/or suitable safety apparel like glasses, shoes, gloves, and working cloth in accordance with the safety standards in force in the working area.

The working area must be kept completely clear, so pay the utmost attention that there aren't any people or animals in the immediate area.

Nobody else apart from the operator must be within the working zone other than collaborators which for safety should be no less than 50 mtrs.

Maintenance of the equipment must be carried out by only one operator with the machine off and tractor at a standstill (off) with the ignition key removed.

DESCRIPTION OF THE MACHINE

The "TRM" mower is a machine that can be powered up to 25 hp and is applicable to three point hoisters of ordinary tractors.

The machine is built in two different sizes that vary according to their cutting width (cm. 130 – 150) with a single tool version: spatulas.

It is provided with a fixed hoisting structure (Fig.1), height-adjustable rear roller (Fig.3) whose length is equal to the cutting width, closed side skids (Fig.2), safety protections bevel gears (Fig.4) with a free rotating wheel.

| Code | TRM Model | Description | | Power | | Work cm. | | Dim. cm. | Weight Kg. |
|--------|-----------|-------------|----|-------|----|----------|-------|----------|------------|
| | | | | HP | KW | Shift | Width | | |
| 6TRM13 | 130 | Spatulas | 20 | 20 | 15 | 20 | 130 | 140 | 170 |
| 6TRM15 | 150 | Spatulas | 24 | 25 | 18 | 20 | 150 | 160 | 190 |



The TRM-R, model is provided with a fixed hoisting structure (Fig.1), height-adjustable rear roller (Fig.3) whose length is equal to the cutting width, height-adjustable frontal wheel (Fig.5), safety protections bevel gears (Fig.4) with free wheel included, tank for collection with hydraulic opening (Fig.6).

| Code | TRM-R Model | Description | | Power | | Work cm. | | Dim. cm. | Weight Kg. |
|---------|-------------|-------------|----|-------|----|----------|-------|----------|------------|
| | | | | HP | KW | Shift | Width | | |
| 6TRMR13 | 130 | Spatulas | 20 | 20 | 15 | 20 | 130 | 140 | 380 |
| 6TRMR15 | 150 | Spatulas | 24 | 25 | 18 | 20 | 150 | 160 | 410 |

USING

The “TRM” mower is used for cutting grass.
It is suitable for vineyards and orchards.

PRE-OPERATION

Our “TRM” mowers are fully greased and tested after assembly by having them revolve at full speed.

To reduce the shipping volume they may be packed and shipped partially dismantled.

Ensure that the rotor (Fig.1 Table 2) and its respective components were not damaged during transportation, and remove any packaging material that may have remained wound around them. Also make sure that the spatulas (Fig.2 Table 2) move freely within their sockets.

Connect the rear roller (Fig.9 Table 1/A) and position it so that when it is lowered and the upper casing of the machine is parallel to the ground, the cutting tools are 2 cm from the ground; likewise, in the model with tank, you have to mount the frontal wheel.

Apply the machine to the tractor using appropriate-sized pins (Fig.26 and 29 Table 1/A) and, if necessary, use the adaptor bushings.

The tractor should have a separate clutch for the power takeoff and must be heavy enough to counterbalance the machine when it is hoisted so that the front tires do not lose their grip.

Adjust the tie rods on hoister arms; to avoid lateral oscillation, mount an adequately powered cardan shaft and find the position in which it retracts the most, making sure it can still be shortened an extra 5 cm.

IDENTIFICATION DATA

ATTENTION

CHECK YOUR MACHINE: if you don't find an identification tag, ask immediately for it to your retailer.

Machines without identification tag **mustn't be used. Our factory doesn't recognise them**, so consider them as anonymous and potentially dangerous.

Identification tag should always be attached on the machine and should be well readable, so, if it deteriorates or if you loose it, please ask the manufacturer or your vendor buy a new one.



Identification tag of the machine

The identification tags are little plates fixed to the machine frame and it supplies the following information:

| | | | |
|---|--------------|---|----------------------|
| A | Manufacturer | 3 | Serial |
| 1 | Model | 4 | Bulk |
| 2 | Code | 5 | Year of construction |

ADHESIVES

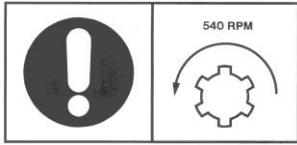
The following safety adhesives are placed on the machine for your safety and the safety of others.

Go through the manual taking note of the meaning of every warning or danger sign.

This procedure has to be done together with your fellow operators and anyone using this equipment.

If in the event that one of these adhesives goes missing or becomes illegible you must get an immediate replacement by contacting your retailer, or the manufacturer.

| | |
|--|---|
| | <p>Indicates the equipment's place of origin; built or assembled in a country that belongs to the European Economic Community</p> |
|--|---|



CAUTION
The power takeoff must be set to 540 rpm.



CAUTION
Read and refer to the “use and maintenance” instruction manual carefully before using the equipment or performing any kind of work on it.



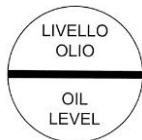
Hook for hoisting and handling the machinery.



Indicates the areas that require grease injections.

| Macchina / Equipment | Tipo di lubrificante / Type of lubricant |
|--|--|
| Impianto idraulico Hydraulic system | Mobil DTE 26 |
| Coppia conica Bevel Gearbox | Mobilgear 630 |
| Scatola ingranaggi Gearbox | Mobilux EP 004 |

Indicates the different types of lubricant that must be used on the various machinery components.



Indicates the ideal oil level in the hydraulic system's oil reservoir.



CAUTION
Danger: rocks or ground particles may be expelled from the machinery while it is in use.
Keep safety distance.



CAUTION
The machinery contains rotating equipment;
Keep safety distance and wait for the components to stop rotating before performing any work on them.



CAUTION
Suitable safety individual equipment must be worn.

SAFETY REGULATIONS

The use of this machine is for skilled and specialized persons with appropriate abilities and competence in carrying out operations.

The must have a good knowledge of this manual and are informed in general safety procedures.

Follow with the utmost care and attention instructions for your safety, the safety of others and of environment.

SYMBOLS TO REMEMBER



Danger for people
Danger of serious damage to the machine
General danger



Protect the environment



The operator must always stay in the drivers seat and never abandon it when the equipment is on and the engine is on.

The operator must never leave the drivers seat with the aim of making adjustments or other reasons as it could create a dangerous situation.

The operator must always stay in the seat alone and not carry other people animals or things.

The operator must wear appropriate work overalls / clothes and not loose clothing which could get caught in moving parts of the vehicle or equipment causing serious injury.

It's necessary to wear personal protective devices for eyes (face mask, goggles) and protective headphones for acoustic pressure in places of work it is greater than 85 db.

Don't wear rings, wrist watches, loose articles of clothing or hanging things, torn clothes, shoes, unbuttoned jackets or blouses which can get caught in moving parts. We advise you to use approved articles of clothing for accident prevention for example sturdy gripped boots, safety goggles and face mask, above all if the vehicle is automatic without a cabin.

We advise you to consult the appropriate public authority concerning the acquirement of accident prevention devices and vineyard safety.

The operator must have suitable abilities and psychophysical conditions in order to understand how to apply correctly all the instructions specified in this manual and all the symbols and captions on the machine.

Do not use the machine if you are under the influence of medicines, alcohol, or other substances that could compromise your normal level of attention, perception and reaction.

When on the streets, respect meticulously the provisions in force, in particular as far as lighting, safety devices, maximum dimensions, juts etc are concerned.

Drive very carefully because the equipment limits visibility.

When you have to drive on streets to reach the work place, make sure that the machine is in line with the moving vehicle and that it does not cover possible lighting and signaling systems; if this is not possible, put the machine on a type-tested tow.

Before leaving the driver's seat, disconnect the power source, switch off the engine, take out the ignition key and put on the handbrake.

Do not allow the machine to be used by any operator ignoring the risks and instructions reported in this manual.

Keep the equipment clean and in order.

Do not use any equipment with faulty components.

Additional safeguards have been placed by the manufacturer for the safety of the operator during his work; their removal or tampering is therefore absolutely forbidden; instead, always make sure that safeguards and safety devices are in place and work properly.

For the operator's safety and the equipment's integrity, do not modify anything without the written authorization of the manufacturer.

Make sure that no one is in the working area of the machine when in use, (minimum distance to respect: at least 50 meters), pay much attention to children and animals.

Verify the stability of the machine on a flat while the machine is working.

Do not work on soft ground, on too extreme slopes or that can compromise the machine's stability.

Remove possible obstacles as wood, tree trunks, scraps which could damage the machine and its stability.

Clean your shoes' soles before getting up the machine and using the pedals.

Do not try to take out material with tools or with hands or feet while the machine is working; stop



the tractor, switch off the PTO, take off the key and wait some minutes that the machine stops before repairing it.

If you have to stop while working, stop the machine on a flat with operated hand brake and first speed, disconnect the PTO, turn off the motor and take out the key.

Be always sure that every part of the hydraulic kit is well closed.

Do not tamper the security system.

The security of your machine depends on its efficiency, so respect the instructions and the maintenance. on its efficiency, so respect the instructions and the maintenance.

IMPROPER USE

By improper use we mean:

- using the machines for operations they were not designed for or for usages that do not appear in the chapter “Machine’s Description and End Use” of this manual;
- use of the machine by people under the age of 18, and/or people not trained to use this kind of equipment.

INCORRECT USE

By incorrect use we mean using the machines without respecting the instructions of the manual.

Not respecting these instructions could risk injury to the operator or third parties, and cause damage to the machine.

Incorrect use can thus mean:

- incorrect installation and/or use of the components or optional accessories.
- incorrect preparation of the machine.
- not using the manufacturer’s spare parts.
- repairs by non-authorized people.
- maintenance by non-qualified people.
- uses the machine is not designed for (see above), lack of maintenance.

WARNING: the manufacturer cannot be held responsible for any injury to people, animals or damages to things resulting from improper or irresponsible use, as mentioned above.

METHOD OF USE

Users

Users are divided into two categories:

- OPERATOR: a person without technical knowledge but trained to use the machine and carry out simple maintenance and adjustments.
- QUALIFIED TECHNICIAN: a person who works on behalf of the manufacturer and/or retailer and can carry out complex maintenance and repairs.

Indications before using

Before starting the machine, you should read this manual carefully.

Check that everything has been installed and checked by a qualified technician.

Send away everybody from the working area before starting work, than proceed slowly checking your machine.

Make sure there are no people standing in the vicinity of the machine and start up the power takeoff slowly keeping it within a 540 rpm range.

Check that everything is functioning properly and that there are no vibrations.

Adjust the cutting height with the threaded arm of the tractor hoister’s third point so that the cutting tools graze the ground without touching it or hitting possible rocks.

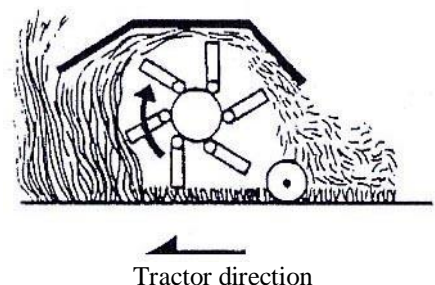
Select the controlled strain option on the tractor hoister device so that the machine is lifted when it presses on the third point.

The rotor should rotate in the opposite direction compared to the tractor’s forward movement.

Bring the speed of rotation of the power takeoff to a range between 450 and 500 rpm and use a speed of advancement that allows for the material to be cut easily making sure the belts do not slip (Fig.10 Table 2); straining the machinery would cause a lower rpm range.

Bear in mind that the speed of advancement must decrease in relation to the amount of material being chopped: the larger the quantity, the slower the speed.

Do not go into reverse without having raised the cutter.



For the model with tank, when the machine is in the right place to discharge the shredded material, with the PTO of the tractor that doesn't function and while the machine touches the ground, operate the cylinders until a complete opening of the discharging point, go on if it is necessary, to finish the discharge.
When you finish the operation, close the discharging opening of the machine.

SAFETY MEASURES

Before working

Check the stratification, the ground type to work out the method of work, the adjustment and the speed of the machine.

Always check that the safeguards are well installed and that no one is in the immediate area (50mtrs minimum).

Only use the machine if it is in perfect working order.

During work

Do not let anyone come within the working area; they must respect the minimum safe distance of 50 mtrs; cordon off the working area and put warning signs up if necessary.

While working, keep other people far from the machine, and in particular from the sides of the machine **NEVER STAY BETWEEN TRACTOR AND MACHINE.**

Use the tractor's power take-off at 400 r.p.m. IN THE 540R.P.M. MODE, never for any reason whatsoever, set it to a 1000 r.p.m

If you stop working; disconnect the power source, take out the ignition key and put on the handbrake before getting out of the tractor.

Maintain an appropriate speed in order to avoid dangers to you, others and the equipment itself.

While working or during the machine's moving, do not carry on the machine hanged or seated people.

When moving on inclined grounds avoid swerving which could cause sliding and overturning.

On uneven grounds or those with obstacles go as slow as possible.

When using the equipment after a long time of inactivity, we advise to check the functioning of the hydraulic system.

The way the equipment (when present) is used, must take into account the "equipment / vehicle" stability ratio; while working continually check the stability.

During work always be alert.

When stopping or stationary pay attention to the ground where you have stopped making sure there are no bumps that could compromise stability. Stop your vehicle and block the equipment in a way that it is secure and does not put you or others at risk.

NOTE

Do not repair the machine with bad or improvised adjustment because it could cause a bad quality of the work For this reason be sure that your tools are not consumed, pay attention to the working speed, elements which are linked together.

RISKS

Every machine can cause a risks so this very dangerous let somebody be near the machine if not authorized.

In order to eliminate risks, REMEMBER to take of the key and to mount again the security devices in good and sure position.

MAINTENANCE

Maintaining the machine in a perfect condition means it has a longer life expectancy and retains optimum performance; thus regular small checks are necessary.

This allows for a perfect working order and good reliability.

Cleaning, lubrication and adjustment of the machine must be carried out when it has been turned off.

General safety measures



Do not allow unauthorized people to interfere with the machine.

Before carrying out checks or maintenance, verify that the machine is completely off.

Never put your fingers in the machine openings without protection.

Never align holes or with your fingers but only with the appropriate centering tools.

Do not touch tools without wearing the correct protective gloves.

Never use petrol, solvents or other inflammable liquids as detergents but use recommended non-flammable and non-toxic commercial detergents to clean the machine.

While using compressed air to clean and/or dry machine parts protect your eyes with goggles and limit the pressure.

Keep the machine clean and in order.

Replace immediately any warning or instruction adhesives, which are no longer visible or missing.

Do not solder near the hydraulic tubes in order to prevent fires.

Pay close attention to losses from the hydraulic system; leakages from small holes can be almost invisible but are able to penetrate beneath the skin: in these cases use face and hand protection.

Never carry out checks to identify leakages with bare hands..

CLEANING

Wash only with neutral products and water to remove traces of corrosive fluids; dry carefully making sure there are no pockets of water.

If traces of dirt remain, we recommend using specific products following the instructions carefully.

WARNING: DO NOT USE products containing perfumed solvents, methanol or hydrocarbons to clean painted parts.

HYDRAULIC SYSTEM

Control regularly all the tubes of the hydraulic system are fitted properly and there are no leakages; verify that tubes are intact.

Always take the necessary action, whether by repairing or replacing, every tube which is loose or which shows signs of abrasion, tear, defective mounting, or oil loss even from the connections.

Check the connections and ensure that they have been properly joined in relation to each other before pressurising the hydraulic circuits.

Avoid bending, or scratching tubes of the hydraulic system with sharp or abrasive objects.

Replace tubes which show any signs of damage caused by crushing, cracking, use, or with defective connections and avoid using them again.

They could explode during use.



The hydraulic circuits are under pressure and therefore, before adding or removing hydraulic oil, inspect the circuit, place the equipment on the ground and completely discharge the remaining pressure in the system, operating the control lever several times, having first switched off the tractor motor.

The hydraulic oil in the system is hot, even when use is no longer being made of the machine. wait for the oil to cool down before carrying out any work on hydraulic lines.

The jet of oil which small losses from the tubes under pressure can generate is dangerous: it can pierce the skin or damage the eyes.

Always wear thick gloves and safety goggles.

To avoid damage, always use the same oil.

The standard machine can work with the mineral oil of the tractor, like Mobil Multivariax/35 HP with viscosity grade ISO VG 68, with the following limitations.



Remember that disposal and law regulates collection of used oil.

Take the aforementioned residues to the appropriate disposal center or keep them in tanks and call specialized companies to dispose of them.

It's absolutely forbidden to take them to illegal dumps or to dump them in rivers or sewers.

PERIODICALLY

Check the structure.

Remember that it is strictly forbidden to make holes or modify the structure.

WARNING: for the maintenance we recommend that the machine is disassembled from the tractor.

WARNING: we recommend to contact the retailer or authorized technician for specific maintenance, repairs and/or setting up the machine.

Daily, carry out a general visual check, functional checks (lever, movements, etc.), and a check of the overall condition of the rubber and metal tubing.

Check all the connections before applying pressure to any of the hydraulic circuits.

After the first two hours of work, tighten the tools and the tube connections of the hydraulic oil system and inject thick grease semi fluid semi fluid at lithium for transmission gears, like Mobilux EP 004 with grade industrial NLGI 00, through the greasers.

The parts of the machine not reachable without oil feeder are greased when the machine is assembled and do not need any further maintenance.

We recommend cleaning the greasers and the grease guns before carrying out the lubrication.

The lubrication points are indicated on the machine by adhesives.

Detach the cardan joint from the tractor's side, slide out the inner rod and grease it using the appropriate grease semi hard at calcium for transmission gears, like Stauffer/3 with grade industrial NLGI 3; repeat this operation **every 4 working hours**.

Every 8 working hours grease the rotating joints and the pivots.

Every 16 working hours grease the security devices and, if present, the spherical quick coupling.

Grease the bearings of the rotor head support (Fig.5 Table 2) and rear roller (Fig.4 or 35 Table 1) **every 4 working hours** through the grease zerks.

Frequently change the mineral gear grease, like Mobilgear 600 XP ISO with viscosity grade VG 320, in the bevel gears (Fig.27 Table 2 and Table 3); replace it every 500 working hours.

After the first 20 hours of work check the belt tension, guaranteed by the belt-stretcher (Table 2), making sure the belts do not flex more than 1 cm. if pressure equal to 8 kg. is applied between the pulleys (Fig.8 and 17 Table 2).

Check the wear status of the tools.

Verify that there are no broken cutters and if necessary, replace them immediately. If excessive vibration occurs, stop the machine immediately and check the equipment.

Vibrations can be caused by an accumulation of dirt or as a result of broken equipment; clean the area or replace any broken tools making sure they oscillate freely within their sockets.

When any piece of equipment is replaced, we recommend using a new screw (Fig.4 Table 2) and U-bolt (Fig.3 Table 2).

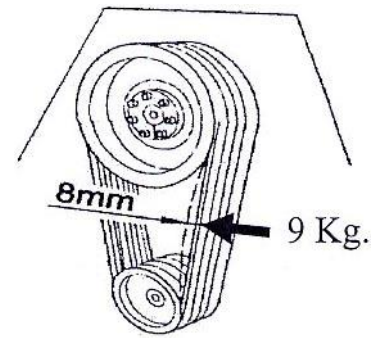
To avoid setting the rotor off balance when replacing a tool, we recommend replacing the whole set, or at least the two that are adjacent to each other, but on opposite sides of the diameter; placed 180° apart on the rotor.

To perform these operations only use heavy working gloves.

It is also recommended to use only original tools, requesting them from our Company or authorized Dealer.

Verify the existence and the readability of the plates and all stickers and, if necessary, replace them with new ones.

Weekly perform a visual inspection of all mechanism and possible loss of lubricant, of the movements and, if necessary, grease the sliding surfaces of the moving parts to ensure functioning and reduce wear controlling also the tubes in iron and plastic.



TRANSPORT - HOISTING - MOVEMENT

When transporting the machine be careful to block it with ropes, straps or anything suitable to keep the machine stable and safe and to prevent accidental shifting that could cause injury or damage the machine.

If the machine has to be hoisted it must be hooked to the proper hoisting instruments by means of ropes or suitable equipment to secure its integrity.

Before hoisting make sure that hoisting means are suitable in that they have a higher weight capacity than the weight of the equipment.

The machine mounted on the centre of the tractor is not homologated for the transfers on common roads. So they have to be disassemble and loaded on implements on issue and transfered by homologated trailers.

Also the machines which are more than 2.5 m. width have to be transfered by homologated trailers and longitudinal positioned to avoid projecting parts.

The hoisting equipment must be adequate and comply with safety standards in effect at the time governing these operations.

Verify that the instruments used are in sound condition and not worn or unsafe in anyway and above all the joints and connections are robust, in good condition and can bear the estimated burden.

Remember that it is absolutely forbidden to remain under or in the immediate vicinity of the object whilst it is being hoisted.

Always use thick protective gloves when carrying out these operations.

The points on the machine which are safe to attach the hoisting hooks to are indicated so by means of appropriate adhesives.

UNINSTALLATION OF MACHINE

Dismount the machine from the tractor and be careful to clean it well.

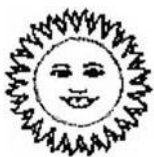
Park the vehicle on a level surface and in a safe stable way.

Store away from atmospheric agents (inside) and out of the reach of children.

DESTRUCTION AND DISPOSAL OF MACHINE

If you decide to destroy and dispose of the machine it's recommended to render it inoperative by cutting the tubing, disassembling knives and breaking the hydraulic motor.

Also remove identification nameplate of the machine.



Deliver the parts, packaging and replacement parts to the collection center.
It's absolutely forbidden to leave any materials to litter the environment.

SPARE PARTS

When ordering spare parts, you only need to mention the code number of the part and, if desired, give a further description.

If the part belongs to the gear-box, besides the part code and description, please mention the machine roll number, which can be found on its small plate and on the first pages of this manual. Available on the market are parts such as

screws, bearings, cardans, washers, and so on, which, besides our factory, can be bought in specialized shops, just using the same denomination found in this manual.

CONDITIONS OF GUARANTEE

This machine is guaranteed for 12 months from the date of purchase.

The guarantee covers the replacement of parts agreed as initially defective and for errant assembly operations.

The guarantee doesn't cover:

breakage caused by negligence or non observance of the standards outlined in this manual.

Use or maintenance carried out by untrained or unskilled persons.

Pieces or parts which have been tampered with.

For damages sustained during transport, for incorrect installation, for carelessness or inability to use it.

The guarantee also doesn't cover:

Everything considered materials of consumption.

As well as the necessary labour costs for repairs and the delivery expenses.

The parts which are deemed defective which must be repaired or replaced and are under guarantee will be returned to the manufacturer free port and redelivered to you carriage on delivery with transportation costs and risks wholly with the customer.

If the request is urgent the manufacturer will supply the parts with a standard invoice and reserving the acceptance of the guarantee until after receiving the faulty part.

THE MANUFACTURER reserves the right to modify the machines for commercial or technical motives, therefore descriptions and illustrations of this publication are up to date until printing.

If illustrations of tools or parts of the machine are different from this book, please refer to code number written in the spare parts catalogue.

As above said, this machine was designed in accordance with the provisions and subsequent revisions set out in the EEC "machines article", therefore it is safe and reliable and the manufacturer cannot be held responsible for improper use.

Where modifications have been made without prior written consent, replacement of used parts different from those stated by the manufacturer and use of the machine by untrained persons, the manufacturer cannot be held responsible.

For safety issues not covered in this text please refer to general standards concerning the prevention of accidents.

All disputes and controversies lie exclusively with the territorial competence of the judicial authority of the place of production.