

**INTAKE AND EXHAUST**

POS.	CODE	DESCRIPTION	Qty
1	2486.066	inlet manifold	1
3	9400.074	tube mm 330	1
4	2486.075	inlet manifold	1
4	2486.395	inlet manifold	1
5	7565.007	washer diam. 8	1
6	1770.004	bolt M 8 X 1,25 X 20	1
7	5460.217	eXhaust muffler	1
8	6927.128	muffler guard	1
9	5460.197	eXhaust muffler	1
10	6927.100	muffler guard	1
11	8965.065	drilled plug M 22	1
12	4670.027	copper gasket	1
13	2135.093	cap	1
14	4490.086	gasket	1
15	1770.006	bolt M 8 X 1,25 X 25	2
16	3240.018	nut M 8	1
17	9170.018	muffler end (d.36,5/38)	1
18	5496.182	polyureth.filtering element	1
19	2100.055	preheating glow plug 12V (M 22 X 1,5)	1
19	2100.056	preheating glow plug 24V	1
20	3617.224	clamp	1
21	3700.337	air cleaner with cap	1
22	3240.018	nut M 8	3
23	7565.007	washer diam. 8	3
24	6780.008	stud M 8 X 20 (32)	1
25	4420.020	inlet manifold gasket	3
26	3781.069	flange h= 8 mm d=50 mm	1
27	2486.043	inlet manifold	1
28	7565.007	washer diam. 8	6
29	3240.018	nut M 8	6
30	6780.008	stud M 8 X 20 (32)	2
31	7625.061	washer diam. 8,4	2
32	3240.163	nut M 8	2
33	9541.057	eXhausting pipe	1
34	9170.018	muffler end (d.36,5/38)	1
35	1261.056	seal ring	1
35	1261.074	seal ring for air clean.3700.138	1
36	5496.115	filtering element	1
36	5496.183	filtering element	1
37	9400.054	suct.line mm 135X8	1
37	9400.094	tube mm 365	1
38	4776.029	gasket	1
42	4500.079	eXhaust gasket	1
43	5461.003	eXhaust muffler	1
44	4500.079	eXhaust gasket	1
45	3815.013	eXh.flange h=7,5	1
46	2940.087	eXhausting elbow	1
47	8545.434	bracket	1
48	4500.079	eXhaust gasket	1
49	5460.393	eXhaust muffler	1
50	6927.299	muffler guard	1
51	4115.048	hook	2
54	4420.019	eXhaust manif.gasket	3

**Group: 11LD**  
**Engine: 11LD 625-3 Drawing: A**

**INTAKE AND EXHAUST**

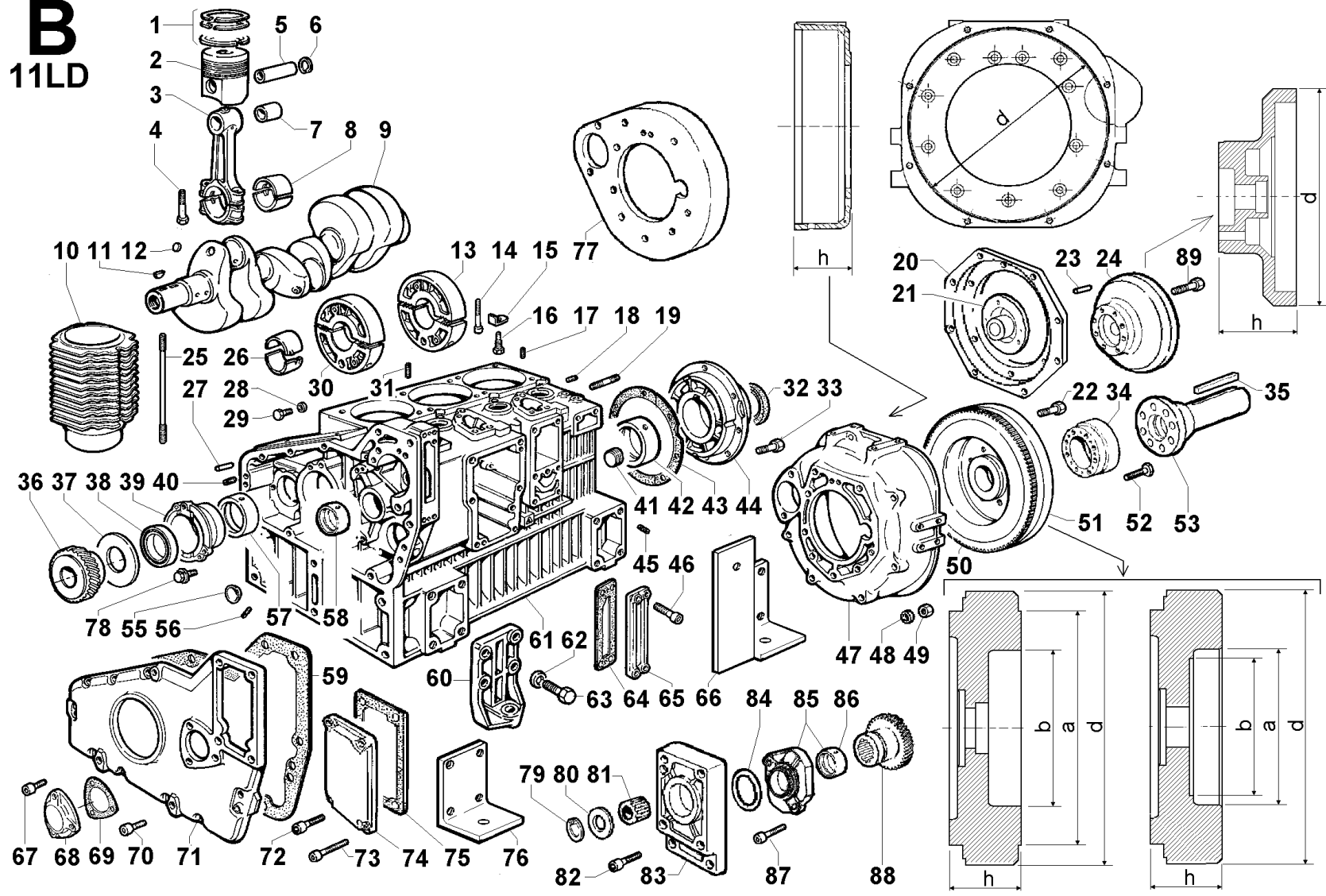
POS.	CODE	DESCRIPTION	Qty
55	4500.079	eXhaust gasket	1
56	3240.163	nut M 8	6
57	4500.079	eXhaust gasket	1
58	6300.018	plate	1
59	6780.008	stud M 8 X 20 (32)	2
60	3240.163	nut M 8	2
61	7301.036	connection M 16 X 1,5	1
62	4889.015	breather cap	1
63	7301.053	connection	1
64	6727.024	cyclonic prefilter	1
65	3700.406	air cleaner	1
66	2486.046	eXhaust manifold	1
67	6300.018	plate	1
68	6780.008	stud M 8 X 20 (32)	2
69	3240.163	nut M 8	2
70	6927.172	muffler guard	1
71	6927.222	muffler guard	1
72	5460.353	eXhaust muffler	1
73	3617.081	clamp	1
80	3700.138	air cleaner (Ferrari)	1
82	5460.155	eXhaust muffler	1
83	5460.291	muffler with horiz.inlet flange	1
84	5460.203	muffler (vertical type)	1
85	9170.052	muffler end (diam. 39,5/42)	1
86	9170.046	muffler end (d.52/46)	1
91	1770.042	bolt M 8 X 1,25 X 10	3
92	7565.007	washer diam. 8	3

**Additional Info - Engine: 11LD 625-3 Drawing: A**

**INTAKE AND EXHAUST**

<b>Pos.</b>	<b>Old part</b>	<b>Serv.Lett.</b>	<b>Notes</b>	<b>S.No/Date</b>
A 18		110005	- starting from shown engine s.no	3326050
A 21	3703.083	110005	-	3326050
A 35	1261.056	1706	-	06.1986
	1261.074	110005	-	3326050
A 36	5496.044	1706	-	06.1986
	5496.115	110005	-	3326050

# B 11LD



CONN.ROD/PISTON/CYLINDER/CRANKSHAFT/FLYWHEEL/CRANKCASE/FLANGING/MOUNTS

POS.	CODE	DESCRIPTION	Qty
1	8211.209	ring set std.	3
1	8211.210	ring set +0,50	3
1	8211.211	ring set +1,00	3
2	«-----»	PISTON SET +0,50 (comb.chamber diam. 47,4)	3
2	6500.272	PISTON SET std. (comb.chamber diam. 48,6)	3
2	6500.273	PISTON SET +0,50 (comb.chamber diam. 48,6)	3
2	6500.274	PISTON SET +1,00 (comb.chamber diam. 48,6)	3
2	6501.544	PISTON SET std. (comb.chamber diam. 47,4)	3
2	6501.753	PISTON SET std EPA-97/68 CE	3
2	6501.898	PISTON SET +1,00 (comb.chamber diam. 47,4)	3
2	6502.880	PISTON SET +0,50 EPA-97/68 CE	3
2	6502.881	PISTON SET +1,00 EPA-97/68 CE	3
3	1526.111	CONNECTING ROD	3
4	1770.109	conn.rod bolt M 8 X 50	6
5	8480.029	gudgeon pin	3
6	1240.022	snap ring	6
7	1630.014	small end bearing	3
8	1640.059	big end bushing std.	3
8	1640.060	big end bushing -0,25	3
8	1640.061	big end bushing -0,50	3
9	1050.946	CRANKSHAFT	1
10	«-----»	cylinder for engine with injection timing variator - see Pos. V	0
10	2380.546	cylinder	3
11	2280.056	crankshaft wooddruff key	2
12	9080.133	cap diam. 8	3
13	8676.080	FLYWHELL SIDE MID.SUPPORT	1
14	9730.034	screw M 8 X 55	4
15	5111.069	safety plate	2
16	1862.144	bolt	2
17	9080.182	plug diam.10	2
18	9765.109	screw M 14	1
19	6800.004	stud M 10 X 20 (35)	11
20	1198.185	flanging ring (drilling holes)	1
20	1198.190	flanging ring (through holes)	1
21	3855.038	ball bearing flange diam. 118	1
22	1862.073	bolt	6
23	8430.054	lockpin 7 X 16	2
24	2050.107	clutch bell 7''1/2	1
24	3835.070	clutch bell P&V F215	1
24	3835.078	clutch bell P&V I215	1
25	6850.103	cyl.head stud	12
26	1611.082	middle supp.bearing std.	2
26	1611.083	middle supp.bearing -0,25	2
26	1611.084	middle supp.bearing -0,50	2
27	8460.055	locating dowel	2
28	4670.062	copper gasket diam. 6,2 X 10 X 1,5	1
29	1760.001	bolt M 6 X 1 X 10	1
30	8676.081	GEAR SIDE MIDDLE SUPPORT	1
31	9080.182	plug diam.10	1
32	1213.349	seal ring	1
33	1770.156	bolt M 8 X 1,25 X 25	7
34	3835.066	clutch bell	1
36	4936.049	gear	1

**Group: 11LD**  
**Engine: 11LD 625-3 Drawing: B**

**CONN.ROD/PISTON/CYLINDER/CRANKSHAFT/FLYWHEEL/CRANKCASE/FLANGING/MOUNTS**

POS.	CODE	DESCRIPTION	Qty
37	1301.140	ring	1
38	1213.351	ring	1
39	8675.108	CRANKSH.SUPP. -0,25	1
39	8675.109	CRANKSH.SUPP. -0,50	1
39	8676.077	CRANKSH.SUPP. std.	1
40	9765.109	screw M 14	1
41	8965.036	plug	1
42	1611.089	bearing std. (flyheel side)	1
42	1611.090	bearing -0,25 (flywheel side)	1
42	1611.091	bearing -0,50 (flywheel side)	1
43	4701.056	gasket	1
44	8675.293	bearing housing (rear)	1
45	9765.114	screw M 6 X 16	1
46	9732.092	screw M 8 X 18	4
47	2032.083	bell interc. Gr. 8-9	1
47	2032.084	bell interc. Gr. 5	1
47	2032.085	bell SAE 5	1
47	2032.086	bell SAE 4	1
47	2032.092	bell interc. Gr. 5 + clutch	1
47	2032.107	bell SAE 5 (friz.OMG 9'')	1
48	7565.011	washer diam.10	11
49	3240.033	nut M 10	11
50	2816.045	crown gear	1
51	9880.167	FLYWHEEL Ass.Y std	1
51	9880.172	FLYWHEEL ASS.Y	1
51	9880.178	FLYWHEEL ASS.Y	1
51	9880.245	FLYWHEEL ASS.Y	1
51	9880.272	FLYWHEEL ASS.Y	1
51	9880.640	FLYWHEEL with CROWN	1
52	9732.037	screw M 10 X 40	8
55	8990.022	eXpansion plug diam.30	1
56	8990.052	plug diam. 8	5
57	<----->	see Pos. B 39	0
59	4601.044	gasket	1
60	6429.047	engine mount	4
61	<----->	CRANKCASE for engine with injection timing variator - see Pos.	0
61	1510.272	CRANKCASE	1
62	7565.011	washer diam.10	16
63	1780.007	bolt M 10 X 1,5 X 35	16
64	4431.145	gasket	1
65	2710.062	cover	1
67	9730.107	screw M 6 X 14	3
68	2615.040	camshaft cover	1
69	4431.146	gasket	1
70	9732.074	screw M 8 X 20	9
71	<----->	gear cover for engine with injection timing variator - see Pos.	0
71	6647.060	gear cover	1
72	9730.031	screw M 8 X 40	3
73	9730.024	screw M 8 X 16	1
74	2615.039	cover	1
75	4501.110	gasket	1
78	1770.156	bolt M 8 X 1,25 X 25	3
79	1240.041	circlip	1

Group: 11LD

Engine: 11LD 625-3 Drawing: B

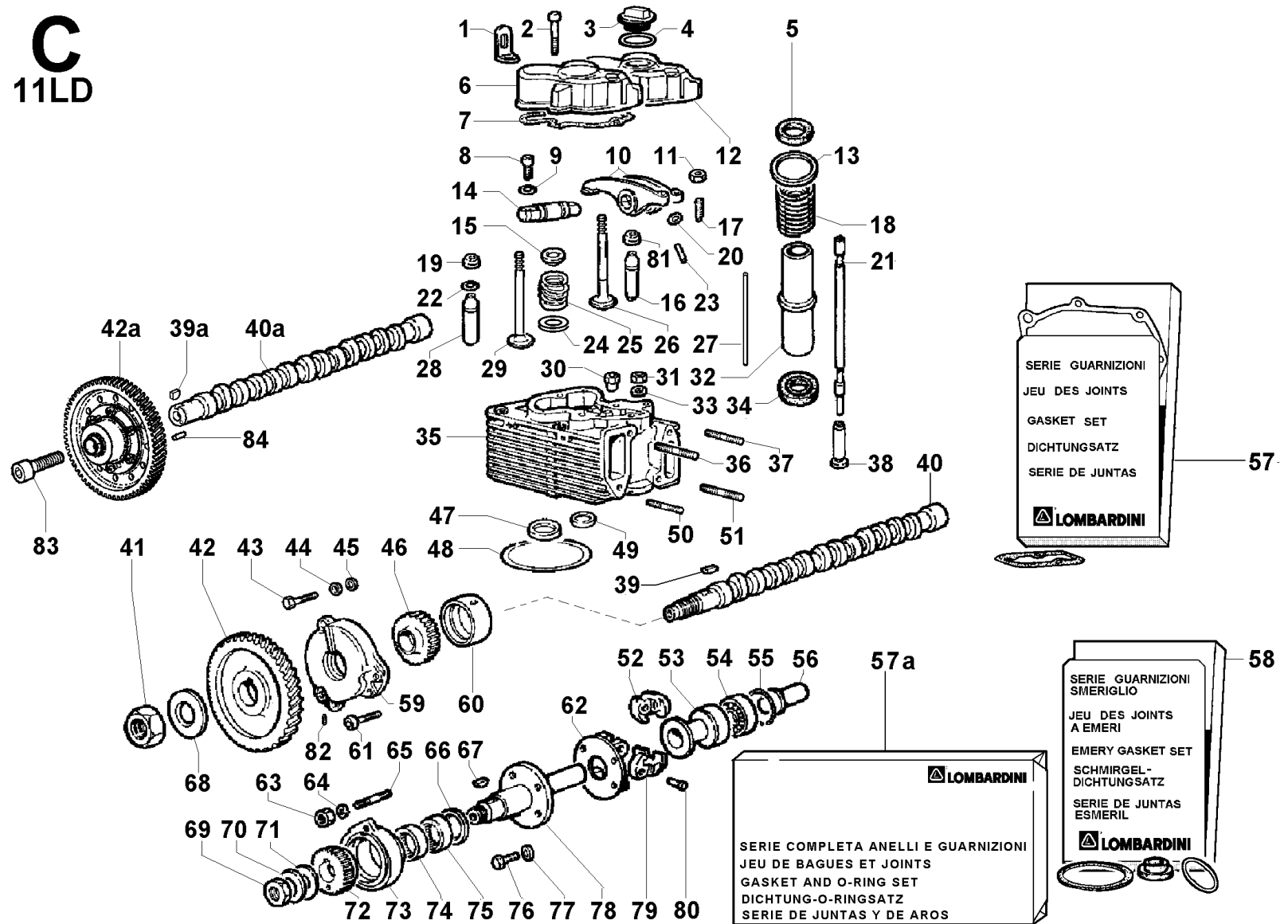
CONN.ROD/PISTON/CYLINDER/CRANKSHAFT/FLYWHEEL/CRANKCASE/FLANGING/MOUNTS

POS.	CODE	DESCRIPTION	Qty
80	7626.064	washer diam. 8,25	1
81	5900.015	hub	1
82	9732.074	screw M 8 X 20	1
83	3855.033	flange for hydr.pump 3° PTO	1
84	1202.017	O ring	1
85	8780.019	gear support	1
86	1611.029	bushing	1
87	9730.100	screw M 8 X 25	3
88	4936.055	gear	1
89	9730.048	screw M 10 X 45	8





**C**  
11LD



**CYLINDER HEAD/ROCKER ARM BOX/VALVES/TIMING/SPEED GOVERNOR**

POS.	CODE	DESCRIPTION	Qty
1	8506.003	engine lifting eye	3
2	9732.075	screw M 8 X 50	6
3	9032.079	FILLER OIL CAP M 36X3	1
4	1200.015	O ring 137 for filler oil cap	1
5	4740.029	gasket	3
6	2125.339	rocker arm cover	2
7	4400.061	rocker cov.gasket 0,80	3
8	9730.100	screw M 8 X 25	6
9	7565.007	washer diam. 8	6
10	4330.036	ROCK.ARM ASS.Y std	3
10	4330.064	ROCKER ARM ASS.Y 1500/1800 R.P.M.	3
11	3240.010	nut M 7	6
12	2125.338	rocker arm cover with hole for oil filler	1
13	7625.108	washer	3
14	6045.040	rocker arm shaft	3
15	6410.112	retainer with half-collets	6
16	<----->	eXhaust v.guide +0,50	0
16	4845.248	eXhaust v.guide std.	3
17	9850.002	rocker arm adjuster	6
18	5801.153	spring	3
19	1213.338	seal ring for valve	3
20	1350.011	ring	3
21	1410.053	push rod	6
22	<----->	circlip	0
23	9455.053	rocker shaft lub.pipe	3
24	3430.067	spring seat (bottom)	6
25	5755.173	valve spring	6
26	9685.146	eXhaust valve	3
27	9455.131	lubricating pipe	3
28	<----->	inlet v.guide +0,50	0
28	4845.247	inlet v.guide std.	3
29	9652.153	intake valve	3
30	3300.227	elongated nut	4
31	3240.124	nut	12
32	9520.053	guard tube	3
33	<----->	washer diam.10,5	0
34	4740.029	gasket	3
35	9200.711	CYL.HEAD ASS.Y	3
35	9200.733	CYL.HEAD ASS.Y (EPA)	3
35	9200.845	CYL.HEAD ASS.Y (CE - ECE R24)	2
36	6780.031	stud M 8 X 75 (87)	3
37	6780.084	stud M 8 X 40 (52)	3
38	7215.043	tappet	6
39	2280.056	crankshaft wooddruff key	1
39a	<----->	crankshaft wooddruff key for engine with injection timing varia	0
40	1011.152	camshaft (R.P.M. < 2200)	1
40	1011.600	camshaft (EPA)	1
40a	<----->	camshaft (EPA) for engine with injection timing variator - see	0
41	3260.044	nut	1
42	4936.050	gear	1
42a	<----->	gear for engine with injection timing variator - see Pos. V 14	0
43	1770.006	bolt M 8 X 1,25 X 25	3
44	7626.064	washer diam. 8,25	3

**Group: 11LD**  
**Engine: 11LD 625-3 Drawing: C**

<b>CYLINDER HEAD/ROCKER ARM BOX/VALVES/TIMING/SPEED GOVERNOR</b>			
POS.	CODE	DESCRIPTION	Qty
45	7565.007	washer diam. 8	3
46	4936.052	gear	1
47	8000.212	inlet v.seat	3
48	4730.084	head gasket 0,60	3
48	4730.085	head gasket 0,70	3
48	4730.086	head gasket 0,80	3
48	4730.087	head gasket 0,90	3
48	4730.088	head gasket 1,00	3
48	4730.193	head gasket 0,65	3
48	4730.194	head gasket 0,75	3
48	4730.195	head gasket 0,85	3
48	4730.196	head gasket 0,95	3
48	4730.197	head gasket 1,05	3
48	4730.319	head gasket 1,10	3
48	4730.320	head gasket 1,15	3
48	4730.349	head gasket 0,45	3
49	8000.213	eXhaust v.seat	3
50	6780.084	stud M 8 X 40 (52)	3
51	6780.034	stud M 8 X 95 (107)	3
52	«-----»	see Pos. C 62	0
53	6410.048	GOVERNOR ROD	1
54	3010.055	ball bearing	1
55	1160.012	circlip	1
56	«-----»	see Pos. C 53	0
57a	8205.101	RING AND GASKET COMPLETE SET	1
58	8185.026	EMERY GASKET SET	1
59	2086.169	bell	1
59	2086.189	governor bell (EPA) for engine with injection timing variator	0
60	«-----»	camshaft bearing -0,50	0
60	1600.062	camshaft bearing std.	1
60	1600.063	camshaft bearing -0,25	1
61	9730.100	screw M 8 X 25	3
62	5496.108	WEIGHT SP.GOV.R.P.M. 2000 >	1
62	5496.119	WEIGHT SP.GOV.R.P.M. <2000	1
63	3240.018	nut M 8	2
64	7565.007	washer diam. 8	2
65	6780.052	stud M 8 X 18 (28)	2
66	7352.022	thrust washer	1
67	2280.061	key 3X3,7X10	1
68	5715.005	washer	1
69	3240.066	nut M 10	1
70	7748.023	washer	1
71	7625.020	washer diam.10,5	1
72	4936.053	gear	1
73	«-----»	governor support - see Pos. 78	0
74	1585.052	bushing	1
76	9730.003	screw M 5 X 10	4
77	7565.003	washer diam. 5	4
78	7362.152	SPEED GOVERN. R.P.M. > 2001	1
78	7362.173	SPEED GOVERN. R.P.M. < 2000	1
79	«-----»	see Pos. C 62	0
80	8445.021	taper pin	2
81	1213.338	seal ring for valve	3

**Group: 11LD**

**Engine: 11LD 625-3 Drawing: C**

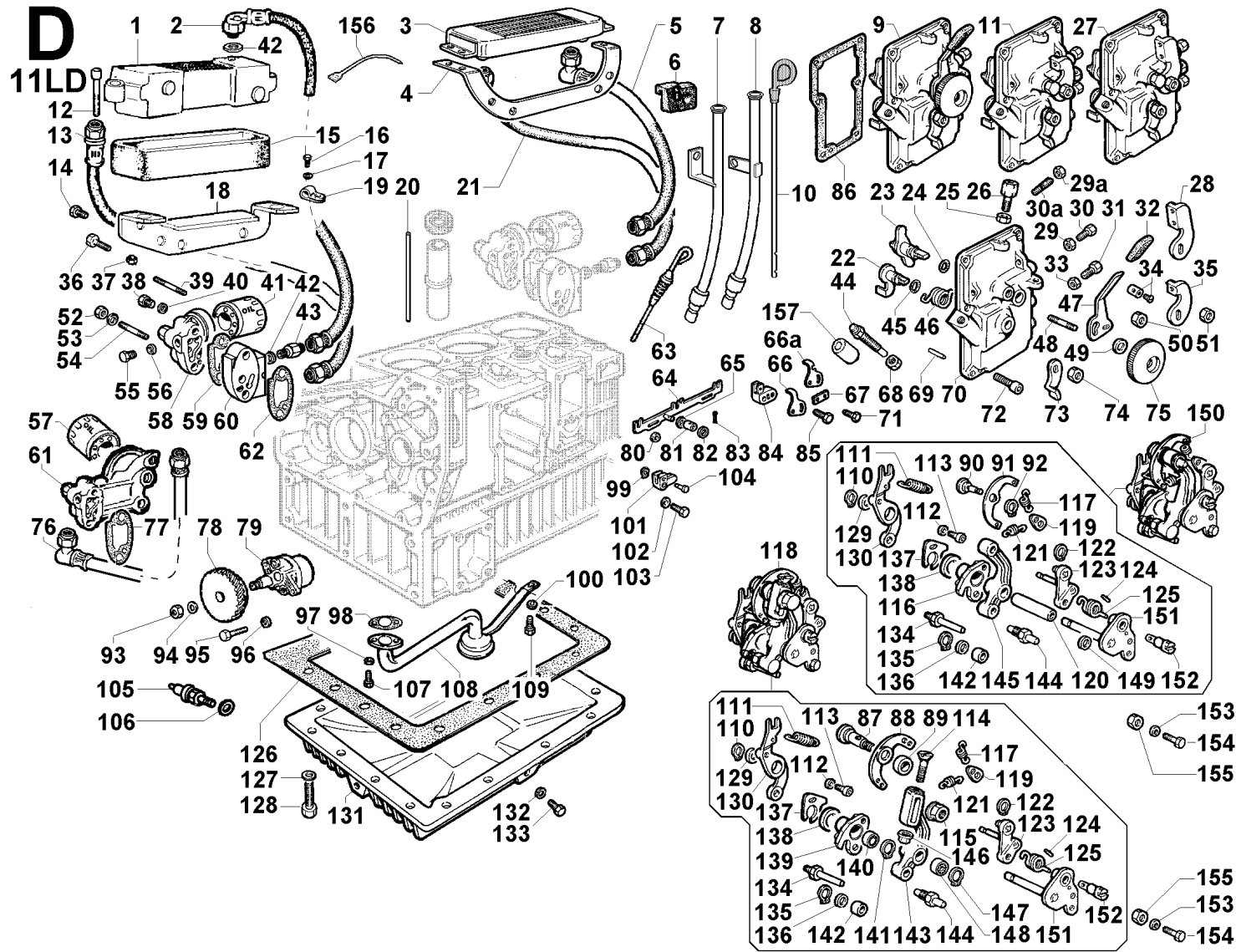
**CYLINDER HEAD/ROCKER ARM BOX/VALVES/TIMING/SPEED GOVERNOR**

POS.	CODE	DESCRIPTION	Qty
82	9765.056	screw M 5 X 5	1
83	«-----»	screw M 10 X 50 for engine with injection timing variator - see	0

**Additional Info - Engine: 11LD 625-3 Drawing: C**

**CYLINDER HEAD/ROCKER ARM BOX/VALVES/TIMING/SPEED GOVERNOR**

Pos.	Old part	Serv.Lett.	Notes	S.No/Date
C 3	9032.064	110012	Pos. 3-4 -	4054360
C 6	2125.094	110012	-	4054360
C 12	2125.093	110012	-	4054360
C 15	6410.018	110014	-	4422954
C 16	4845.062	1708	-	2879843
	4845.185	110014	-	4422954
C 16	4845.072	1708	-	2879843
	4845.184	110014	-	4422954
C 19	2135.072	110007	-	3474299
C 22	1160.021	110014	- fitted until shown engine s.no	4422954
C 25	5755.004	IT0110	-	5375920
C 26	9685.047	1708	-	2879843
	9685.067	110014	-	4422954
C 28	4845.084	1707	-	2879843
	4845.183	110007	-	3474299
	4845.231	110014	-	4422954
C 28	4845.081	1707	-	2879843
	4845.182	110007	-	3474299
	4845.230	110014	-	4422954
C 29	9652.037	1707	-	2879843
	9652.061	110014	-	4422954
C 35	9200.245	110014	Pos. 16-28-35-47-49 -	4422954
	9200.711	110024	Pos. 41-43-53-63-65 -	5409476
C 35		110024	Pos. 41-43-53-63-65 -	5409476
C 47	8000.065	110014	- old type no longer avail. - fit as shown service letter	4422954
C 49	8000.066	110014	- old type no longer avail. - fit as shown service letter	4422954
C 57	8180.087	D091	-	03.2002
C 57a		D091	Pos. A14-A25-A42-A54-A55-B43-B59-B64-B69-B75-C 5-C 7-C19 -C34-C48-D59-D62-D86-D98-D126-E 3-E35-E37-E3 -	03.2002
C 66		1704	- starting from shown engine s.no	2619995
C 73	8615.079	1704	-	2619995
C 81		110014	- starting from shown engine s.no	4422954



**CONTROLS/LUBRICATING SYSTEM**

POS.	CODE	DESCRIPTION	Qty
1	7350.052	oil cooler	1
2	9485.177	oil pipe mm 400	1
3	«-----»	oil cooler	0
7	9330.035	dipstick guard	1
8	9330.024	dipstick guard	1
9	2690.148	accel. and stop hand control	1
9	2690.360	accel. and stop hand control (EPA)	1
10	1400.135	dipstick (mm 578)	1
11	2690.149	accel. and stop remote control	1
11	2690.361	accel. and stop remote control (EPA)	1
12	9730.032	screw M 8 X 45	2
13	9485.176	oil pipe mm 175	1
14	9732.092	screw M 8 X 18	3
15	4775.422	cooler guard	1
16	1770.001	bolt M 8 X 1,25 X 12	1
17	7625.012	washer diam. 8,4	1
18	8545.271	brace	1
19	3617.021	clamp	1
20	«-----»	see Pos. C 27	0
22	6140.143	pin	1
23	«-----»	see Pos. D 9/D 11/D 27	0
24	1200.034	O ring 105	1
25	3240.019	nut M 8 alpha brass	2
26	9180.192	cable end	2
27	2690.173	accel. and stop remote control	1
28	«-----»	lever - see Pos. D 27	0
29	3240.008	nut M 6	1
29a	3300.237	nut (EPA type)	1
30	1760.028	bolt M 6 X 1 X 35	1
30a	9765.169	screw M 6 X 40 (EPA)	1
31	1760.028	bolt M 6 X 1 X 35	1
31	1760.041	bolt M 6 X 40 (rmp < 2000)	1
32	4340.067	jacket	1
33	3240.008	nut M 6	1
34	5830.119	nut	2
35	5200.178	lever	1
36	1770.056	bolt M 8 X 1,25 X 18	1
37	3240.164	nut M 8	2
38	8965.034	plug M 8	1
39	6780.034	stud M 8 X 95 (107)	1
40	4670.058	copper gasket diam. 8,2X12X1,5	1
41	2175.040	oil filter cartridge	1
42	4670.019	copper gasket diam.16	4
43	5953.036	nipple	4
44	8576.021	eXtra fuel device	1
45	1200.034	O ring 105	1
46	5680.096	spring	1
47	«-----»	see Pos. D 9	0
48	6870.021	stud	1
49	7625.098	washer diam. 8,4	1
50	3240.164	nut M 8	1
52	3240.018	nut M 8	2
53	7625.010	washer diam. 8	2



**Group: 11LD**  
**Engine: 11LD 625-3 Drawing: D**

**CONTROLS/LUBRICATING SYSTEM**

POS.	CODE	DESCRIPTION	Qty
54	6780.028	stud M 8 X 55 (67)	1
55	8965.021	plug M 8	1
56	4670.014	copper gasket diam.12	1
57	2175.040	oil filter cartridge	1
58	3740.160	OIL FILTER	1
59	4730.533	gasket	1
60	6370.137	plate	1
61	9220.064	oil filt.support (engine with eXternal alternator)	1
62	4730.533	gasket	1
63	1400.519	dipstick (mm 285)	1
64	<----->	control rod for engine with injection timing variator - see Pos	0
64	1380.024	CONTROL ROD	1
65	771R.001	washer diam. 5,3	1
66	6275.101	plate	1
66a	<----->	plate for engine with injection timing variator - see Pos. V 30	0
68	3240.061	nut M 12	1
69	8460.055	locating dowel	2
70	<----->	see Pos. D 9/D 11/D 27	0
71	1760.003	bolt M 6 X 1 X 12	1
72	9730.100	screw M 8 X 25	6
73	5200.178	lever	1
74	3240.164	nut M 8	1
75	6545.009	knob	1
76	9485.175	oil pipe mm 92	1
76	9485.183	oil pipe mm 295	1
77	4730.192	gasket	1
78	4936.051	gear	1
79	6605.062	lub.oil pump	1
80	1971.044	sleeve	2
81	1580.023	bushing	1
82	771R.001	washer diam. 5,3	1
83	2800.003	cotter pin	1
84	<----->	see Pos. D 64	0
85	1760.010	bolt M 6 X 1 X 30	1
86	4775.524	gasket	1
87	6110.078	pin	1
88	<----->	see Pos. D118	0
90	6110.077	pin	1
91	<----->	see Pos. D150	0
92	1240.001	snap ring	1
93	3240.036	nut M 10	1
94	7565.011	washer diam.10	1
95	1770.031	bolt M 8 X 1,25 X 50	2
96	7565.007	washer diam. 8	2
97	7565.004	washer diam. 6	2
98	4501.025	gasket	1
99	1165.001	circlip	2
100	7565.007	washer diam. 8	1
101	<----->	support - see Pos. D 64	0
103	1760.006	bolt M 6 X 1 X 20	1
104	6210.031	pin	2
105	9195.022	oil thermostat	1
106	4670.061	copper gasket diam.14	1

**Group: 11LD**  
**Engine: 11LD 625-3 Drawing: D**

**CONTROLS/LUBRICATING SYSTEM**

POS.	CODE	DESCRIPTION	Qty
107	1760.006	bolt M 6 X 1 X 20	2
108	3740.058	oil filter	1
109	1770.002	bolt M 8 X 1,25 X 16	1
110	1240.002	circlip diam. 8	1
111	5550.027	eXtra fuel spring	1
112	7625.012	washer diam. 8,4	1
113	9730.138	screw M 8 X 16	1
114	9800.087	screw M 6 X 45	1
115	3240.164	nut M 8	1
116	5200.257	lever	1
117	5655.107	spring	1
117	5655.109	speed g.spring 1500 R.P.M.	1
117	5655.349	speed g.spring R.P.M. 2000 >	1
118	5200.848	control lever 3000 R.P.M.	1
118	5200.849	control lever 1500 R.P.M.	1
118	5200.850	control lever 1800 R.P.M.	1
119	6370.489	plate	1
120	1971.045	sleeve	1
121	5655.107	spring	1
121	5655.109	speed g.spring 1500 R.P.M.	1
121	5655.349	speed g.spring R.P.M. 2000 >	1
122	1240.001	snap ring	1
123	«-----»	lever - see Pos. D 118/150	0
124	8430.023	lockpin 3 X 16	1
125	5680.082	spring	1
126	4601.045	gasket	1
127	7555.029	washer diam. 8	26
128	1770.155	bolt M 8 X 1,25 X 30	26
129	7626.097	washer	1
130	«-----»	see Pos. D 118/D 150	0
131	6645.132	oil pan	1
132	4670.016	copper gasket diam.14	2
133	8965.005	oil drain plug M 14	2
134	«-----»	pin - see Pos. D 118/D 150	0
135	1175.042	ring	1
136	7625.106	washer diam. 7,1	1
137	6366.012	plate	1
138	«-----»	washer - see Pos. D118/150	0
139	5200.307	counter lever	1
140	3000.026	ball bearing 8X16X4	2
141	1240.010	snap ring	2
142	1301.156	ring	1
143	«-----»	see Pos. D 118	0
146	3203.050	selflocking nut M 6	1
147	1241.002	snap ring	2
148	3000.025	ball bearing 608	2
149	1257.025	ring	1
150	5200.740	contr.lever R.P.M.>2400	1
151	«-----»	see Pos. D 118/D 150	0
152	6140.130	pin	1
153	7565.007	washer diam. 8	2
154	1770.056	bolt M 8 X 1,25 X 18	2
155	3240.018	nut M 8	2

**Group: 11LD**  
**Engine: 11LD 625-3 Drawing: D**

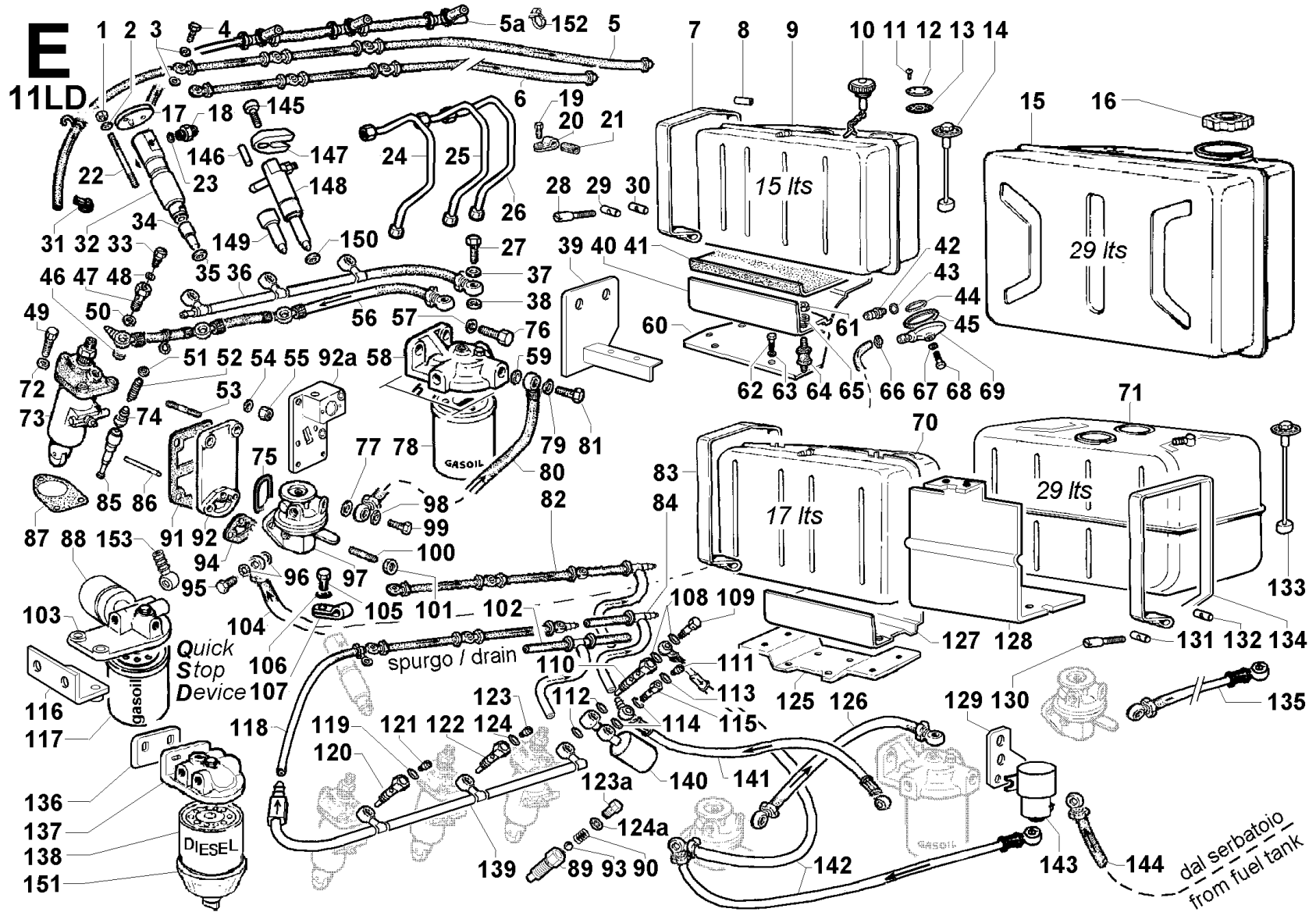
**CONTROLS/LUBRICATING SYSTEM**

POS.	CODE	DESCRIPTION	Qty
157	9600.090	foolproof tube	1

**Additional Info - Engine: 11LD 625-3 Drawing: D**

**CONTROLS/LUBRICATING SYSTEM**

Pos.	Old part	Serv.Lett.	Notes	S.No/Date
D 1		1713	- starting from shown engine s.no	3036571
D 2		1713	- starting from shown engine s.no	3036571
D 3	7350.007	1713	- fitted until shown engine s.no	3036570
D 4	8545.124	1713	- fitted until shown engine s.no	3036570
D 5	9485.083	1713	- fitted until shown engine s.no - to supersede the old type must be supplied 9485.175	3036570
D 6	6927.114	1713	- fitted until shown engine s.no	3036570
D 12		1713	- starting from shown engine s.no	3036571
D 13		1713	- starting from shown engine s.no	3036571
D 15		1713	- starting from shown engine s.no	3036571
D 18		1713	- starting from shown engine s.no	3036571
D 21	9485.084	1713	- fitted until shown engine s.no	3036570
D 29a		IT0002	-	
D 30a		IT0002	-	
D 37	3240.018	1713	-	3036571
D 61	9220.062	110002	-	3036571
D 64	1380.021	1701	Pos. 64-65-80-81-82-83-84-99-101 -	04.1985
D 66		1701	- starting from shown engine s.no	04.1985
D 67		1701	- starting from shown engine s.no	04.1985
D 71		1701	- starting from shown engine s.no	04.1985
D 76	9485.086	110002	-	3036571
D 76	9485.085	110002	-	3036571
D 85		1701	- starting from shown engine s.no	04.1985
D119	6370.121	110004	-	3180565
D137	6366.010	110004	-	3180565
D150	5200.278	110004	-	3180565



**FUEL SYSTEM**

POS.	CODE	DESCRIPTION	Qty
1	3203.050	selflocking nut M 6	6
2	7565.004	washer diam. 6	6
3	4670.058	copper gasket diam. 8,2X12X1,5	6
4	1901.029	union bolt M 8	3
5	9375.762	bleeding pipe mm 932	1
5a	9571.229	bleeding pipe (EPA version)	1
6	9375.659	bleeding pipe mm 1632	1
7	3616.082	fuel tank strap	2
8	9600.057	rubber spacer	2
9	8103.021	fuel tank 15 liters	1
10	9043.025	fuel tank cap	1
11	9761.001	screw M 4 X 0,7 X 12	6
12	5055.023	plate	1
13	4776.040	gasket	1
14	4906.008	fuel gauge (mm 193) 15/29 lt	1
17	3790.074	injector top plate	3
18	7301.006	connection	3
19	9730.115	screw M 5 X 14	3
20	3616.018	injector feed pipe saddle	3
21	5400.046	rubber sheathing	3
22	6760.045	stud M 6 X 65 (80)	6
23	«-----»	gasket	0
24	9376.013	high pressure pipe (gear side - EPA)	1
24	9376.059	gear s.pipe	1
25	9376.053	high pressure middle pipe (EPA)	1
25	9376.058	high pressure middle pipe	1
26	9376.053	high pressure pipe (flywheel side - EPA)	1
26	9376.058	high pressure pipe (flywheel side)	1
27	1901.032	union bolt M 14	1
28	9730.139	screw M 6 X 60	2
29	1557.019	drilled block	2
30	1557.020	threaded block	2
31	3630.050	clamp dia 9-11	1
32	6615.031	NOZZLE-HOLDER Bosch	3
32	6615.049	NOZZLE-HOLDER (EPA)	3
33	1901.171	deaeration plug	3
34	6531.426	nozzle Stanadyne (EPA-CE 97/98)	3
35	4670.005	copper gasket 0,50	3
35	4670.006	copper gasket 1,00	3
36	9375.613	f.hose mm 344	1
36	9375.800	f.hose mm 1219	1
37	4670.061	copper gasket diam.14	1
39	8760.056	support for fuel filter on fan	1
40	8042.024	fuel tank saddle	1
41	8315.016	rubber shim	1
42	«-----»	union	0
44	4490.017	gasket	1
45	4430.071	gasket	1
46	4670.060	copper gasket diam.12	3
47	1901.031	union bolt M 12	3
48	4670.001	copper gasket diam. 6,2 X 10 X 1	3
49	1770.156	bolt M 8 X 1,25 X 25	9
50	4670.060	copper gasket diam.12	3

**Group: 11LD**  
**Engine: 11LD 625-3 Drawing: E**

**FUEL SYSTEM**

POS.	CODE	DESCRIPTION	Qty
51	7470.003	filler	3
52	5755.034	valve spring	3
53	6780.008	stud M 8 X 20 (32)	2
54	7565.007	washer diam. 8	2
55	3240.018	nut M 8	2
57	7555.008	washer diam.10	2
58	3730.152	FUEL FILTER h = 105	0
58	3730.153	FUEL FILTER	1
59	4670.061	copper gasket diam.14	1
60	6370.515	tank plate	1
61	3240.018	nut M 8	4
62	1770.005	bolt M 8 X 1,25 X 22	4
63	7565.007	washer diam. 8	4
64	8636.001	vibration-damping	4
65	7625.012	washer diam. 8,4	4
66	3630.008	clamp	1
67	1202.052	rubber oil seal	1
68	1760.162	bolt	1
69	2605.033	filter cover	1
72	«-----»	washer diam. 8 - no more fitted	0
73	6590.372	class B injection pump	3
73	6590.373	class C injection pump	3
74	«-----»	delivery valve GDV not available for engine with injection tim	0
74	9672.012	delivery valve BOSCH	3
75	1200.087	O ring 3150	1
76	1780.004	bolt M 10 X 1,5 X 22	2
77	4670.059	copper gasket diam.10	1
78	2175.046	fuel filter cartridge	1
79	4670.061	copper gasket diam.14	1
80	9374.036	fuel hose mm 360	1
80	9375.029	fuel hose(mm 835)	1
81	1901.032	union bolt M 14	1
85	6578.200	inject.plunger Stanadyne	3
86	7200.167	drive rod	1
87	4580.001	gasket 0,10	3
87	4580.008	gasket 0,50	3
87	4580.012	gasket 0,30	3
87	4580.039	gasket 0,05	3
88	3586.058	electric valve	1
89	1901.152	union bolt M 12 l=51	3
90	5801.037	spring	3
91	«-----»	gasket	0
92	2655.032	cover	1
92a	«-----»	cover for engine with injection timing variator - see Pos. V 53	0
93	8245.003	gov.ball diam. 4,8 3/16''	1
94	«-----»	gasket 1,00	0
95	1901.030	union bolt M 10	1
96	4670.059	copper gasket diam.10	2
97	«-----»	feed pump for engine with injection timing variator - see Pos.	0
97	6585.079	feed pump	1
98	4670.059	copper gasket diam.10	1
99	1901.030	union bolt M 10	1
100	6780.070	stud M 8 X 30 (42)	2

**Group: 11LD**  
**Engine: 11LD 625-3 Drawing: E**

<b>FUEL SYSTEM</b>			
POS.	CODE	DESCRIPTION	Qty
101	3240.164	nut M 8	2
103	3440.056	QSD STOP DEVICE 12V	1
104	9375.721	fuel pipe mm 850	1
105	1770.042	bolt M 8 X 1,25 X 10	1
106	7565.007	washer diam. 8	1
107	3617.088	clamp dia. 9,5	1
116	8760.090	QSD device support	1
117	2175.046	fuel filter cartridge	1
123a	1901.029	union bolt M 8	3
124a	4670.058	copper gasket diam. 8,2X12X1,5	6
145	9730.018	screw M 6 X 45	3
146	8400.139	lockpin 5 X 29,8	3
147	8545.793	bracket	3
148	<----->	nozzle-holder (EPA) for engine with injection timing variator -	0
148	6615.104	NOZZLE-HOLDER (EPA-CE 97/98)	3
149	<----->	nozzle (EPA) for engine with injection timing variator - see Po	0
149	6531.507	nozzle (EPA-CE 97/98)	3
150	4670.107	washer	3
150	4670.109	copper gasket 1,50	3
150	4670.110	copper gasket 2,00	3
150	4670.111	copper gasket 2,50	3
150	754R.059	washer	2
153	7270.104	banjo union diam.10	1



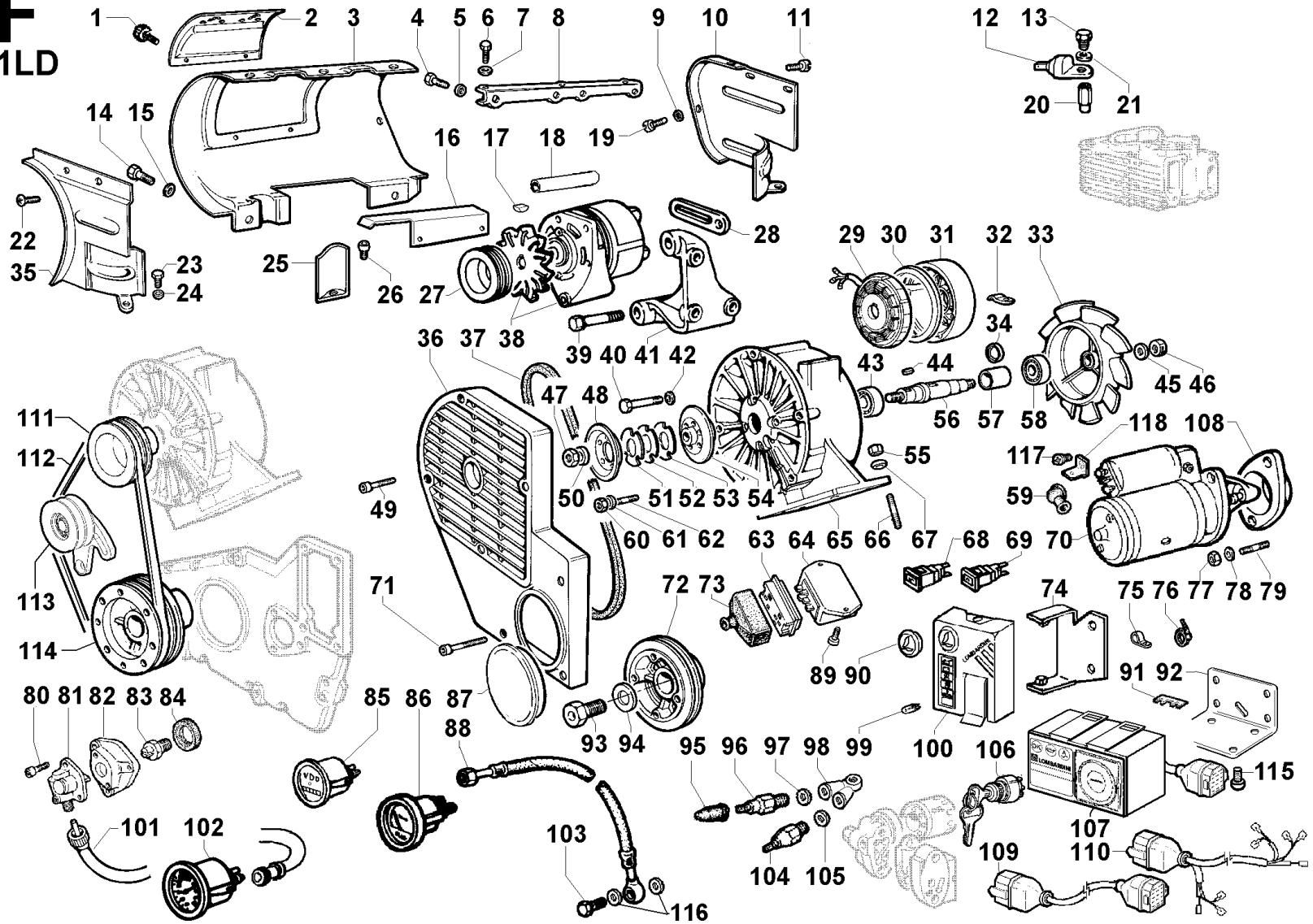
**Additional Info - Engine: 11LD 625-3 Drawing: E**

**FUEL SYSTEM**

Pos.	Old part	Serv.Lett.	Notes	S.No/Date
E 36	9375.261	110016	-	3766955
E 42	7300.057	1705	- fitted until shown date	06.1986
E 43	4670.058	1705	- fitted until shown date	06.1986
E 51		110016	- starting from shown engine s.no	3766955
E 52		110016	- starting from shown engine s.no	3766955
E 73	6590.059	110016	-	3766955
E 73	6590.059	110016	-	3766955
E 73	6590.059	110016	-	3766955
E 74		110016	- starting from shown engine s.no	3766955
E 75		110008	- starting from shown engine s.no	3498247
E 85		110016	-	3766955
E 86	7200.082	110008	-	3498247
E 88		110011	-	4078268
E 91	4431.069	110008	- fitted until shown engine s.no	3498246
E 92	2655.009	110008	-	3498247
E 94	4580.170	110008	- fitted until shown engine s.no	3498246
	4580.169	110008	- fitted until shown engine s.no	3498246
E 97	6585.051	110008	-	3498247
E103		110011	Pos. 88-89-90-93-103-117 -	4078268
E104	9375.199	1705	-	06.1986

# F

11LD



COOLING SYSTEM/STARTING

POS.	CODE	DESCRIPTION	Qty
1	9895.055	pivot	2
2	6660.028	pan	1
3	2569.372	shroud	1
4	1760.032	bolt M 6 X 1 X 14	4
5	7625.062	washer diam. 6,5	4
6	1770.056	bolt M 8 X 1,25 X 18	3
7	7625.012	washer diam. 8,4	3
8	5066.061	airtight plate	1
9	7625.062	washer diam. 6,5	2
10	5066.055	airtight plate	1
11	9790.039	screw M 6 X 12	2
14	1770.056	bolt M 8 X 1,25 X 18	2
15	7625.012	washer diam. 8,4	2
16	5168.043	plate	1
17	2280.045	tab	1
18	1970.383	nut	1
19	9790.039	screw M 6 X 12	2
22	9790.047	screw M 6 X 16	2
23	1770.002	bolt M 8 X 1,25 X 16	2
24	7625.012	washer diam. 8,4	2
25	3350.077	deflector	2
26	9731.092	screw M 8 X 14	2
27	7100.225	pulley for alternator	1
28	8545.105	bracket	1
29	1157.158	volt.alternator 12V 14A - 3 wires	1
29	1157.159	volt.alternator 12V 21A - 3 wires	1
30	3526.055	spacer (without inside alternator or with eXtern.altern)	1
31	2086.050	alternator bell (21 A)	1
31	2086.051	bell for blower without alternator or with 14A alternator	1
32	3617.024	clamp	1
33	9718.108	blower	1
34	3450.051	spacer	1
35	5066.056	panel	1
36	6927.517	belt guard	1
37	<----->	belt (alt.est.) mm 1000	0
37	2400.108	belt mm 825	1
37	2440.034	belt (R.P.M.2000 >) mm 803	1
37	2440.358	belt mm 800	1
38	1157.262	eXternal volt.alternator 12V-33A	1
39	<----->	bolt M 8 X 85 - no longer avail.	0
40	1760.084	bolt M 6 X 1 X 75	4
41	8900.114	alternator supp.	1
42	7625.007	washer diam. 6	4
43	3003.052	ball bearing	1
44	2200.004	key	1
45	7625.055	washer diam.12,5	1
46	3203.015	nut	1
48	6975.134	PULLEY diam 86 (R.P.M.2000 >)	1
48	6975.151	PULLEY diam 75 (1500-1800)	1
49	9732.063	screw M 8 X 35	2
50	7625.055	washer diam.12,5	1
51	6320.027	spacer 2,00 diam. 42 (1500-1800)	1
51	6320.034	plate 2,00 diam. 53 (R.P.M.2000 >)	1

**Group: 11LD**  
**Engine: 11LD 625-3 Drawing: F**

**COOLING SYSTEM/STARTING**

POS.	CODE	DESCRIPTION	Qty
52	6320.026	spacer 1,00	1
52	6320.035	plate 1,00 diam. 53 (R.P.M.2000 >)	1
53	6320.025	spacer 0,50	1
53	6320.036	plate 0,50 diam. 53 (R.P.M.2000 >)	1
54	<----->	half-pulley R.P.M.2000 > - see Pos. F 48 (6975.134)	0
55	3240.018	nut M 8	4
56	1105.017	blower shaft	1
57	3450.050	spacer (for blower with 14A alternator)	1
57	3450.051	spacer	1
57	3450.052	spacer (without inside alternator or with extern.altern)	1
58	3002.032	ball bearing	1
59	6491.005	pipe elbow	1
60	3240.008	nut M 6	3
61	7565.004	washer diam. 6	3
62	6760.047	stud M 6 X 16	3
63	6740.153	inlet regul.Saprisa	1
63	6740.154	inlet regul.Ducati	1
64	7362.228	voltage regulator. 12V 14/26A-6 contacts for alternator 3 wires	1
64	7362.294	volt.regulator 12V 21A fitted for electronic tachometer - 6+W c	1
64	7362.314	volt.regulator 12V 30A fitted for electronic tachometer - 5+W c	1
65	8565.050	alternator stator	1
65	9718.113	FAN ASS.Y without alternator	1
65	9718.198	FAN ASS.Y with 21A voltage alternator	1
65	9718.199	FAN ASS.Y with 14A voltage alternator	1
66	6780.008	stud M 8 X 20 (32)	4
67	7565.007	washer diam. 8	4
68	<----->	lampe-socket - no longer avail.	0
70	5840.067	starting motor 12 V HP 2,5 Bosch	1
71	9730.032	screw M 8 X 45	5
72	6975.115	pulley diam. 142 (R.P.M.2000 >)	1
72	6975.150	pulley diam 163 (1500-1800)	1
73	2145.014	regulator cap	1
74	8506.042	brace	1
75	3617.020	clamp	1
76	2471.006	collar	1
77	3240.048	nut	2
78	7565.013	washer diam.12	2
79	6820.014	stud M 12 X 30 (48)	2
80	9730.004	screw M 5 X 16	2
81	7475.019	angle gear	1
82	2615.076	cover Goldoni version	1
82	2615.077	cover	1
83	6130.056	pin	1
84	1213.192	seal ring 20X30X7	1
87	6927.149	guard (1500-1800)	1
89	9732.074	screw M 8 X 20	2
90	<----->	switch cover	0
91	4062.233	fuse 50 A	1
91	4062.238	fuse 100 A (for two preheating glow plugs)	1
92	8506.118	dashb.supp.	1
93	1805.025	bolt	1
94	7625.265	washer	1
95	6491.013	pipe elbow	1

**Group: 11LD****Engine: 11LD 625-3 Drawing: F****COOLING SYSTEM/STARTING**

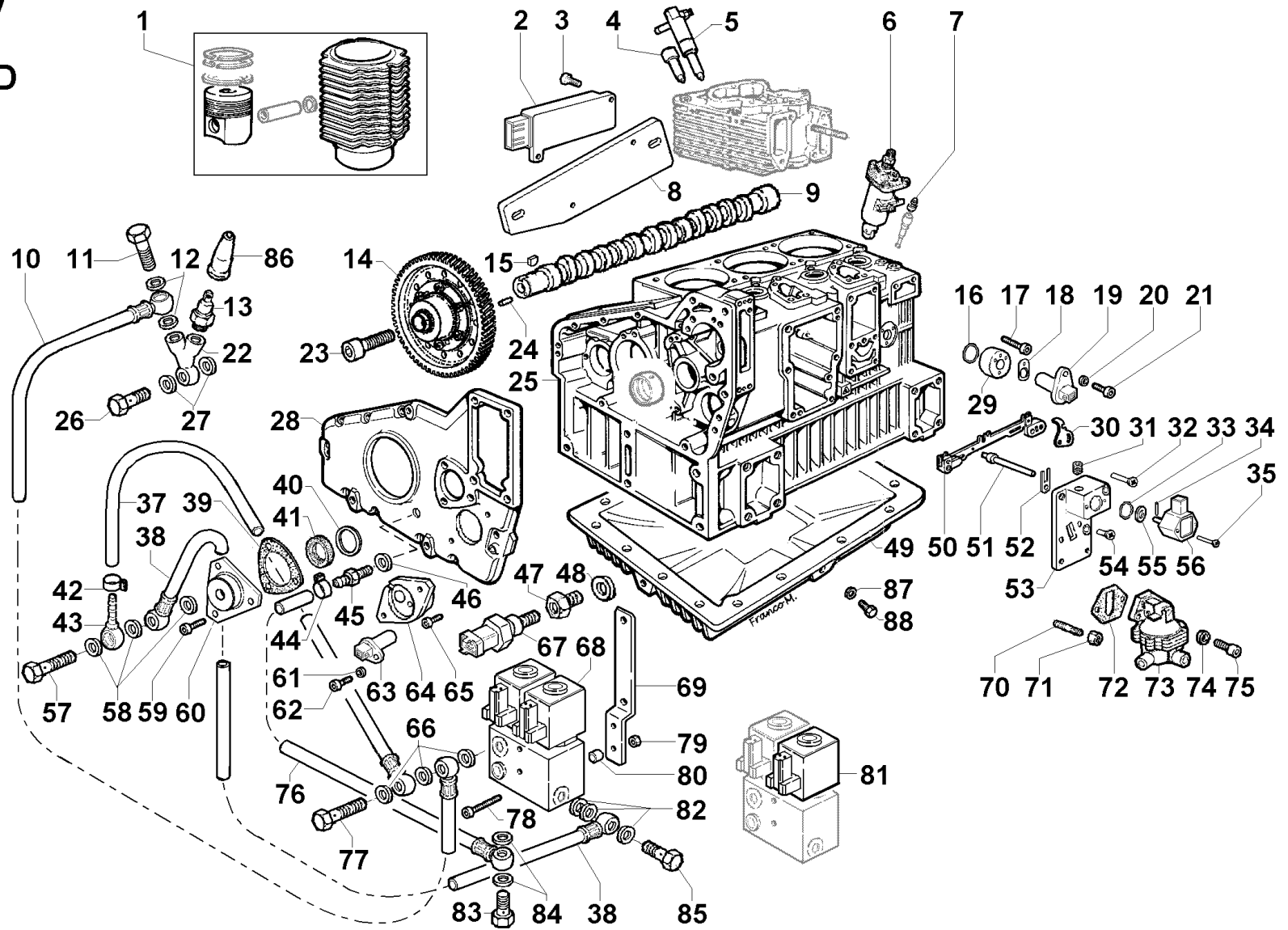
POS.	CODE	DESCRIPTION	Qty
96	6745.050	oil switch 0,3 bar (M 12)	1
97	4670.014	copper gasket diam.12	1
98	<----->	union - for engine with injection timing variator - see Pos. V	0
99	5175.162	lamp 12V	2
100	2900.110	dashboard 2 lights	1
101	9282.003	transmission mm 1500	1
102	2529.007	speed-hours indicator	1
104	5040.098	pressure switch (M 14)	1
105	4670.061	copper gasket diam.14	1
106	5041.020	key switch	1
107	<----->	dashboard for engine with injection timing variator - see Pos.	0
107	7245.417	dashboard 3 warning lights	1
109	<----->	eXtension wire for engine with injection timing variator - see	0
109	2185.882	eXtension wire	1
109	2185.893	eXtension wire	1
110	<----->	wire for engine with injection timing variator - see Pos. Y 8	0
110	2185.873	wiring harness for dashboard 6 warning lights	1
110	2185.891	wiring harness for dashboard 3 warning lights	1
115	9730.325	screw M 5 X 10	4
116	4670.058	copper gasket diam. 8,2X12X1,5	2
117	9790.003	screw M 4 X 6	1
118	9180.168	faston	1

Additional Info - Engine: 11LD 625-3 Drawing: F

COOLING SYSTEM/STARTING

Pos.	Old part	Serv.Lett.	Notes	S.No/Date
F 1		1703	- fitted from shown date	09.1985
F 2		1703	- starting from shown engine s.no	09.1985
F 3	2569.068	1703	-	09.1985
	2569.139	1713	-	3036571
F 44		110015	-	4823970
F 63	6740.088	5151	-	12.1988
F 63	6740.090	5151	-	12.1988
F 68	6612.063	D050	- fitted until shown date	02.1993
F 69	6612.064	D050	- fitted until shown date	02.1993
F 90	2615.021	D050	- fitted until shown date	02.1993
F 99	5175.119	D050	-	02.1993
F107	7245.353	D093	- without integrated regulator	.....

**V**  
11LD



**SPECIFIC PARTS FOR ADVANCE TIMING SYSTEM**

POS.	CODE	DESCRIPTION	Qty
1	4898.043	kit cylinder-piston set for engine with injection timing variat	3
2	«-----»	see Pos. Y 2	0
3	9730.010	screw M 6 X 16	2
4	6531.476	nozzle (EPA)	3
5	6615.098	nozzle-holder (EPA)	3
6	6590.442	class 5 injection pump	3
6	6590.443	class 6 injection pump	3
6	6590.444	class 7 injection pump	3
6	6590.477	class 8 injection pump	3
6	6590.478	class 9 injection pump	3
6	6590.479	class 10 injection pump	3
6	6590.480	class 11 injection pump	3
6	6590.481	class 12 injection pump	3
6	6590.482	class 13 injection pump	3
6	6590.483	class 14 injection pump	3
7	«-----»	delivery valve GDV - not available	0
8	8770.074	support	1
9	1011.779	camshaft (EPA) for engine with injection timing variator	1
10	9485.292	oil pipe	1
11	1901.155	union bolt M 14	1
12	4670.061	copper gasket diam.14	2
13	6745.050	oil switch 0,3 bar (M 12)	1
14	3440.062	advance timing device (low oil leakage)	1
15	2280.162	crankshaft wooddruff key	1
16	1200.226	O ring	1
17	9732.078	screw M 6 X 25	3
18	8335.255	rubber shim	2
19	«-----»	see Pos. Y 4	0
20	7625.007	washer diam. 6	1
21	9730.008	screw M 6 X 10	1
22	7330.367	connection	1
23	9730.399	screw M 10 X 50	1
24	8400.146	lockpin 5 X 16	1
25	1510.993	crankcase for engine with injection timing variator	1
26	1901.040	union bolt M 12	1
27	4670.060	copper gasket diam.12	2
28	6645.716	gear cover	1
29	8770.071	support	1
30	6275.208	plate	1
31	9765.108	screw M 10	1
32	9800.093	screw M 8 X 35	1
33	1200.219	O ring	1
34	8430.002	lockpin 2 X 10	1
35	9790.059	screw M 4 X 35	2
37	9485.294	oil pipe	1
38	9485.293	oil pipe	1
39	4431.146	gasket	1
40	«-----»	ring	0
41	1213.534	seal ring 20X30X7	1
42	3630.004	clamp	1
43	4126.103	oil sprayer	1
44	3630.004	clamp	1
45	1901.036	union bolt 1/4 GAS	1



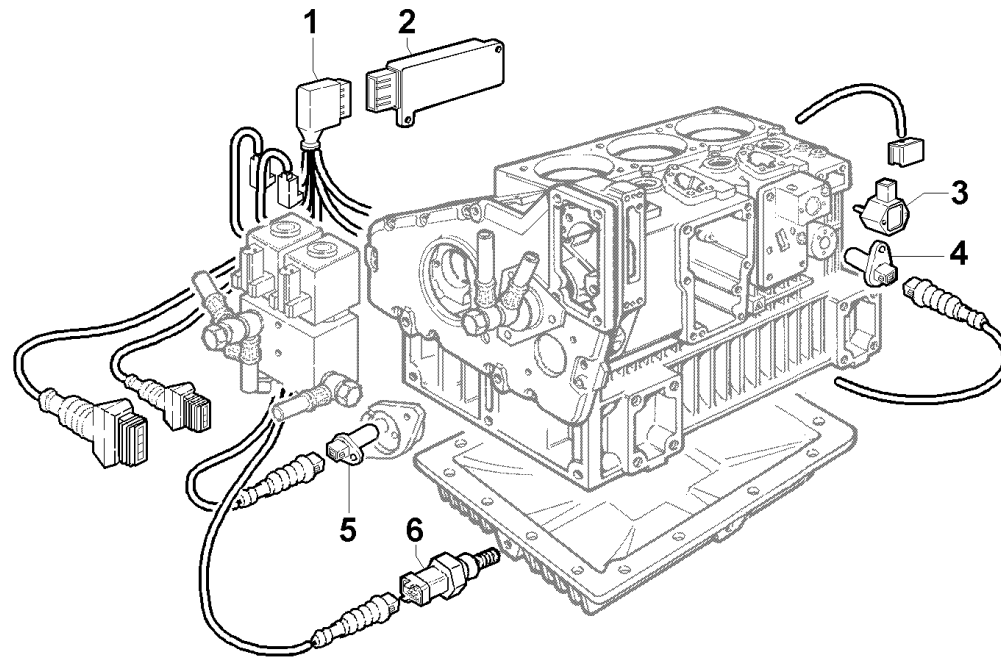
**Group: 11LD**  
**Engine: 11LD 625-3 Drawing: V**

**SPECIFIC PARTS FOR ADVANCE TIMING SYSTEM**

POS.	CODE	DESCRIPTION	Qty
46	4670.057	copper gasket	1
47	4190.157	locking nut	1
48	4670.019	copper gasket diam.16	1
49	6645.722	oil pan	1
50	1380.094	CONTROL ROD for engine with injection timing variator	1
51	6080.033	pin	1
52	5201.249	control lever	1
53	2655.038	cover	1
54	9800.070	capscrew	2
55	4670.023	copper gasket diam.18	1
56	«-----»	see Pos. Y 3	0
57	1901.188	union bolt M 12	1
58	4670.060	copper gasket diam.12	3
59	9730.107	screw M 6 X 14	3
60	1585.261	support	1
61	7625.007	washer diam. 6	1
62	9730.008	screw M 6 X 10	1
63	«-----»	see Pos. Y 5	0
64	8770.072	support	1
65	9730.003	screw M 5 X 10	2
66	4670.060	copper gasket diam.12	3
67	«-----»	see Pos. Y 6	0
68	3587.204	electro-valve 12V	1
69	8900.626	support	1
70	6780.008	stud M 8 X 20 (32)	1
71	3240.164	nut M 8	1
72	4580.170	gasket 0,80	1
73	6585.139	feed pump	1
74	7555.029	washer diam. 8	2
75	9732.092	screw M 8 X 18	2
76	9485.295	oil pipe	1
77	1901.188	union bolt M 12	1
78	9730.167	screw M 5 X 65	2
79	3203.038	nut M 5X0,8	2
80	3527.071	spacer	2
81	1567.237	electro-valve coil	2
82	4670.060	copper gasket diam.12	3
83	1901.040	union bolt M 12	1
84	4670.060	copper gasket diam.12	2
85	1901.040	union bolt M 12	1
86	6491.013	pipe elbow	1
87	4670.016	copper gasket diam.14	1
88	8965.005	oil drain plug M 14	1



**Y**  
11LD



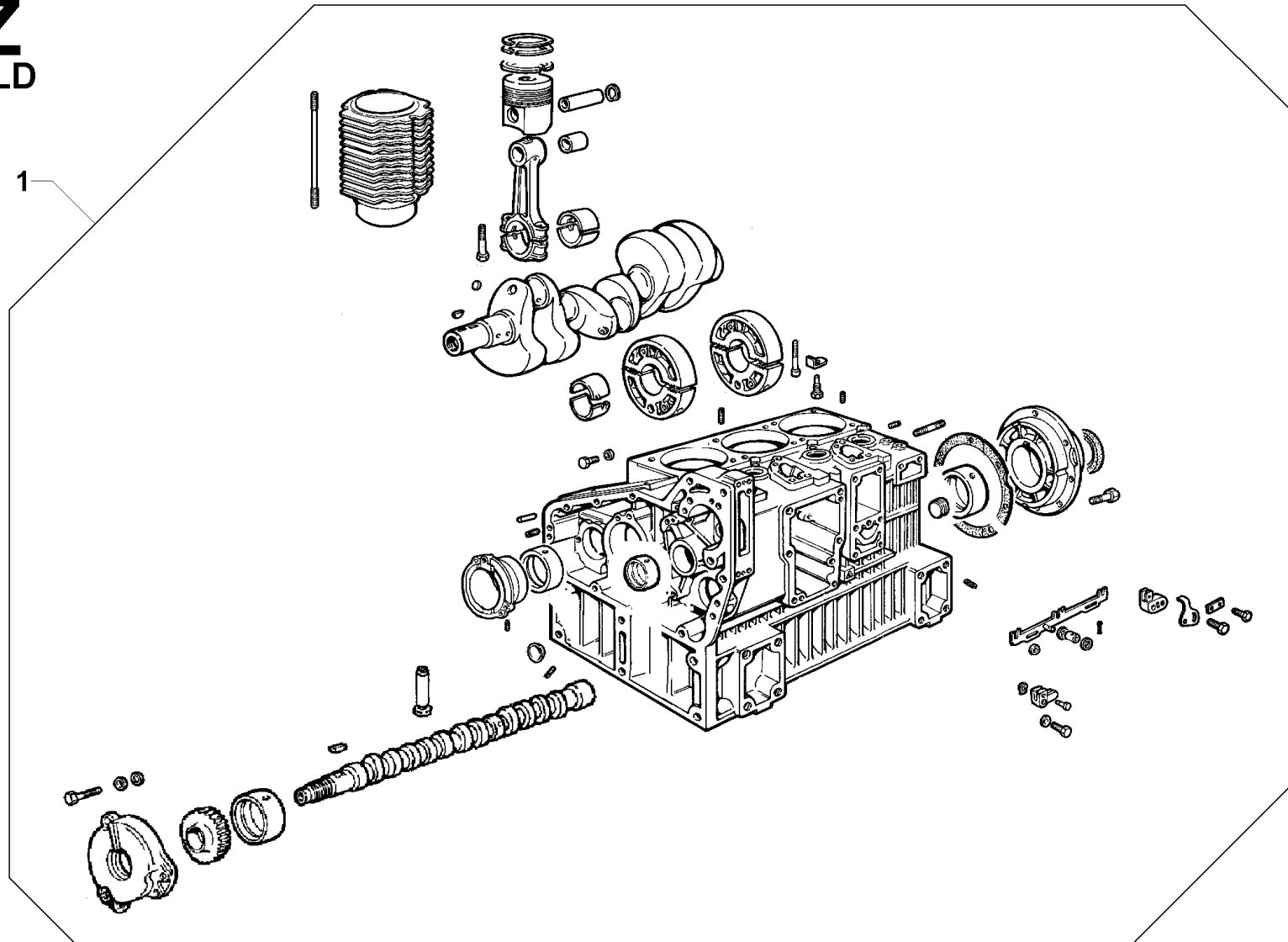
**ELECTRICAL SYSTEM FOR ADVANCE TIMING SYSTEM**

POS.	CODE	DESCRIPTION	Qty
1	2186.173	wire for control boX	1
2	2193.173	control boX 12V	1
3	8089.118	position sensor	1
4	8089.120	revolution sensor	1
6	8089.109	water/oil temperatur sensor	1
7	7245.447	dashboard for engine with injection timing variator	1
8	2186.172	wire ass.y	1
9	2185.882	eXtension wire	1
10	5041.020	key switch	1
11	9730.325	screw M 5 X 10	4
12	8506.118	dashb.sup.	1

**ELECTRICAL SYSTEM FOR ADVANCE TIMING SYSTEM**

<b>Pos.</b>	<b>Old part</b>	<b>Serv.Lett.</b>	<b>Notes</b>	<b>S.No/Date</b>

**Z**  
11LD





Group: 11LD  
Engine: 11LD 625-3 Drawing: Z

**SHORT BLOCK**

POS.	CODE	DESCRIPTION	Qty
1	1560.208	short block	1

